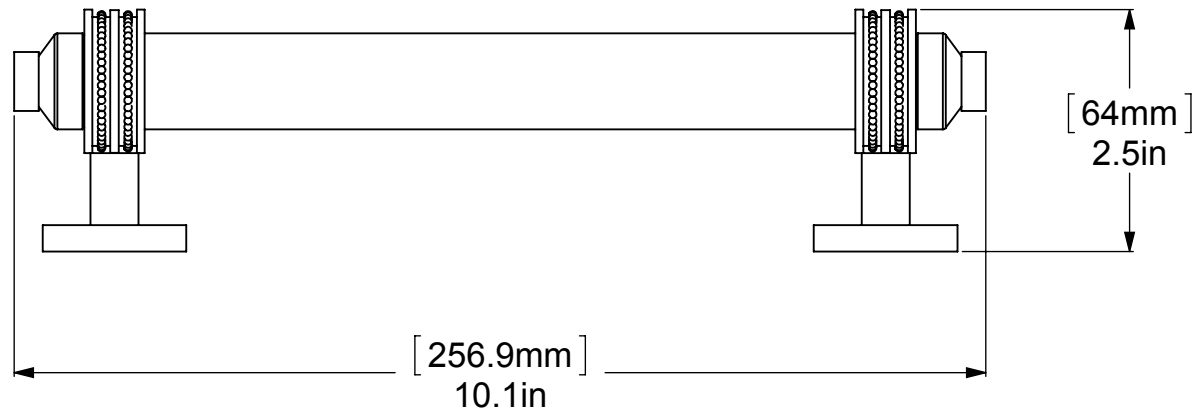
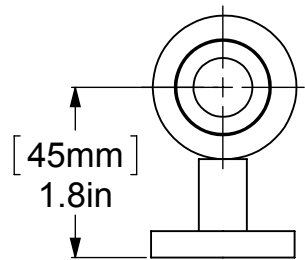
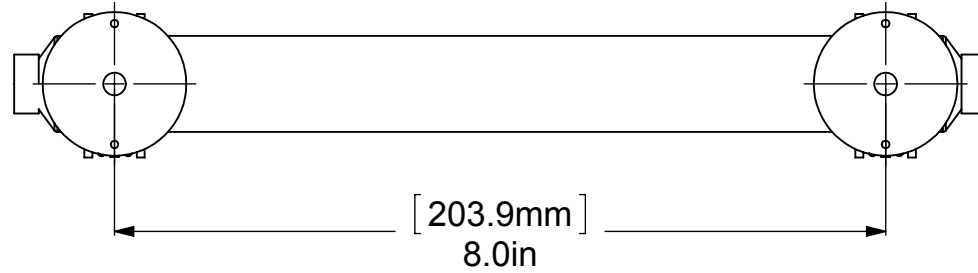
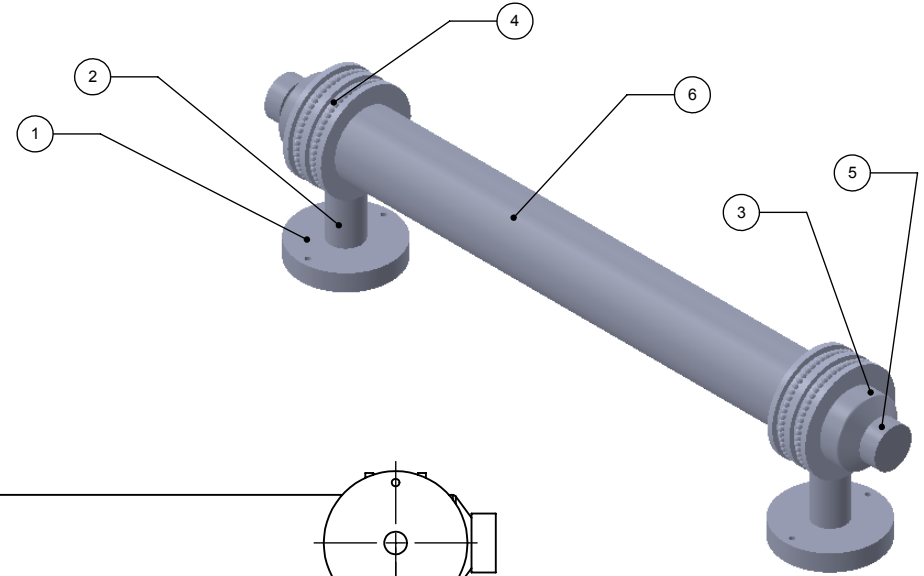


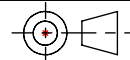
ITEM NO.	PART NUMBER	DESCRIPTION	QTY.
1	LP Casting	BASE	2
2	TU12-.75	TUBE SUPPORT	2
3	SM-LP	RING	2
4	RGDTT	CONNECTOR	2
5	CARD-58	BOTTOM BALL	2
6	TU1-7.4	TUBE	1




UNLESS OTHERWISE STATED

.X	±.3mm
.XX	±.15mm
.XXX	±.008mm

COPYRIGHT © Allied Brass 2017



THIRD ANGLE PROJECTION

DRAWN	5/17/2017	I.M	MATERIAL:	BRASS	FINISH	TBD
CHECKED	5/17/2017	P.D	DESCRIPTION:		QUANTITY	TBD
APPROVED	5/17/2017	R.A	8 Inch Door Pull		DRAWING No.	REV
					403D	0
				SCALE	1:2	SHEET: 01 A4