

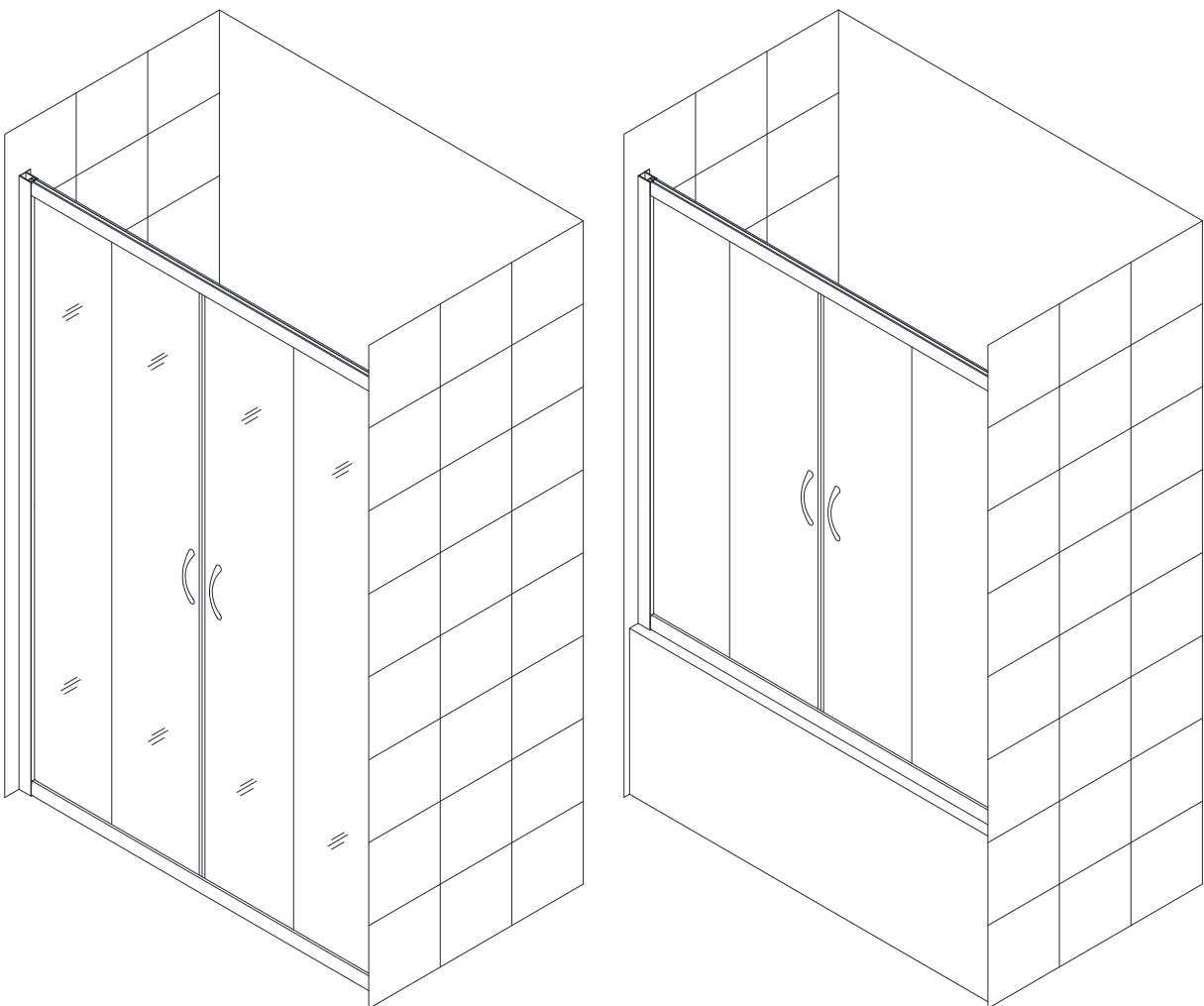


VISIONS

SHOWER DOOR & TUB DOOR INSTALLATION INSTRUCTIONS

IMPORTANT

DreamLine™ reserves the right to alter, modify or redesign products at any time without prior notice. For the latest up-to-date technical drawings, manuals or any other details please refer to your model's web page on BathAuthority.com



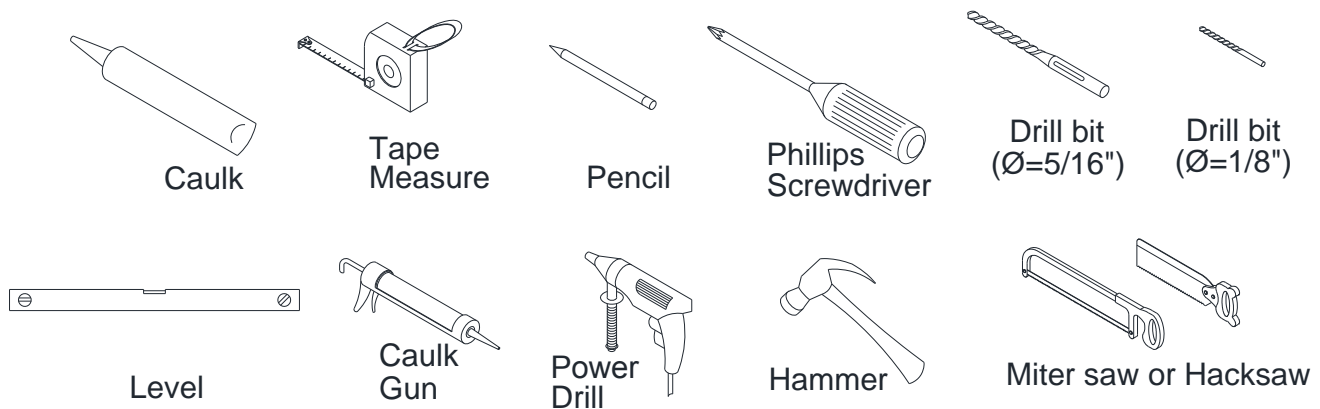
Please read these instructions carefully before installing. If you have any questions regarding installation, please contact our technical support specialists Monday through Friday 8:00 AM – 7:00 PM EST at Phone: 1-866-731-2244, Fax: 1-866-857-3638 or e-mail our technical support group at Support@BathAuthority.com

For more information about [DreamLine™ Shower Doors & Tub Doors](http://www.BathAuthority.com) please visit www.BathAuthority.com

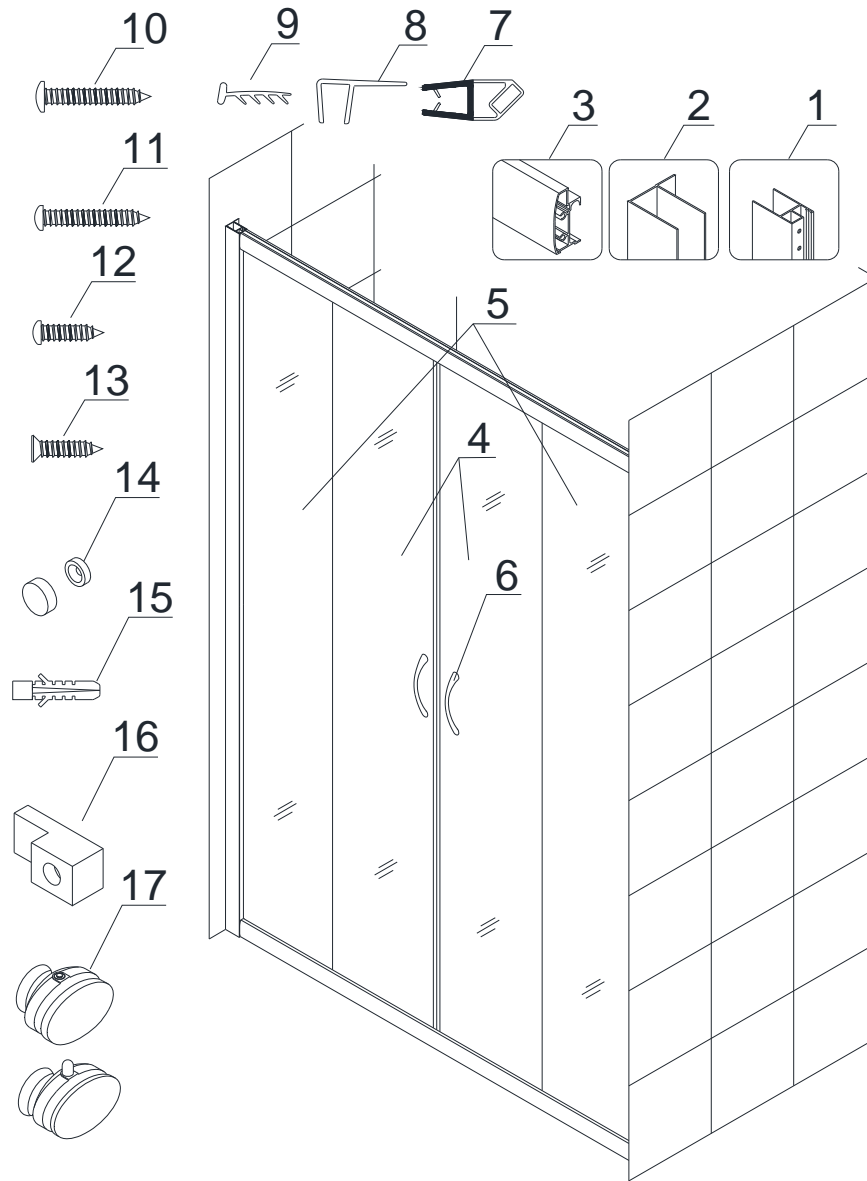
Preparation

1. Prior to installation, examine all boxes and packages for shipping damage and compare the piece count with your packing slip. After opening all boxes and packages read this introduction carefully. Check that all of the needed parts are included in the package by checking off the components on the "Detailed Diagram of Shower Door Components". If the unit has been damaged, has a finishing defect, or has missing parts, please contact our customer support department within **3 business days** of the delivery date. Please note that **DreamLine™ will not replace any damaged products or missing parts free of charge after 3 business days or if the product has been installed.** Feel free to contact DreamLine™ if you have any questions, and please provide an order number, job name or other proof of purchase to help us identify your original order.
2. **Please note that you should consult your local building codes with questions about installation compliance standards. Building and plumbing codes may vary by location, and DreamLine is not responsible for code compliance standards for your project.**
3. Install all of the required plumbing and drainage before securing the shower. **Have a competent and licensed (if required by local code) plumber or tradesman perform and/or approve your plumbing installation.**
4. Please make sure that prior to beginning the installation, the surfaces are leveled and solid and will be able to support the total weight of the unit. Also make sure the walls are at right angles. Irregular installation surface level, radius corners or improper angle of side walls will result in serious problems for your installation. Please, note that some adjustments and drilling may be necessary during the installation process.
5. Please protect all primary surfaces of the product during installation. Never set your glass down directly onto a tile floor. Leave corner protectors in place until necessary to remove them. Always use a piece of wood or cardboard to protect the bottom edge and corners of the glass prior to and during installation.
6. This unit must be installed upon a finished threshold and against finished walls.

Tools Required



Detailed Diagram of Shower Door Components



Packing List

01	Glass profile	2pcs	10	Round head screw ST4.2x30	8pcs
02	Wall profile	2pcs	11	Round head screw ST4.2x25	8pcs
03	Guide rail	2pcs	12	Round head screw ST4.2x10	4pcs
04	Glass door	2pcs	13	Flat head screw ST4.2x16	4pcs
05	Stationary glass	2pcs	14	Decorative cover	4pcs
06	Handle	2pairs	15	Wall anchor	8pcs
07	Magnetic strip	1pair	16	Glass holder	4pcs
08	Anti-water strip	4pcs	17	Wheel assembly	4pairs
09	Single side strip	2pcs			

NOTE: Unpack your unit carefully and inspect it. Lay it out and identify all parts using parts diagram and part list in your manual as a reference. Before discarding the carton, check for small hardware bags that tend to fall to the bottom of the box. If any parts are damaged or missing, please contact DreamLine™ for replacement.

Shower Door Installation

1. Measure the distance between the two finished walls at the top, middle and bottom. This distance is marked as "**W**".

Also check the threshold for level and the walls for plumb.

See Fig. 1 for details.

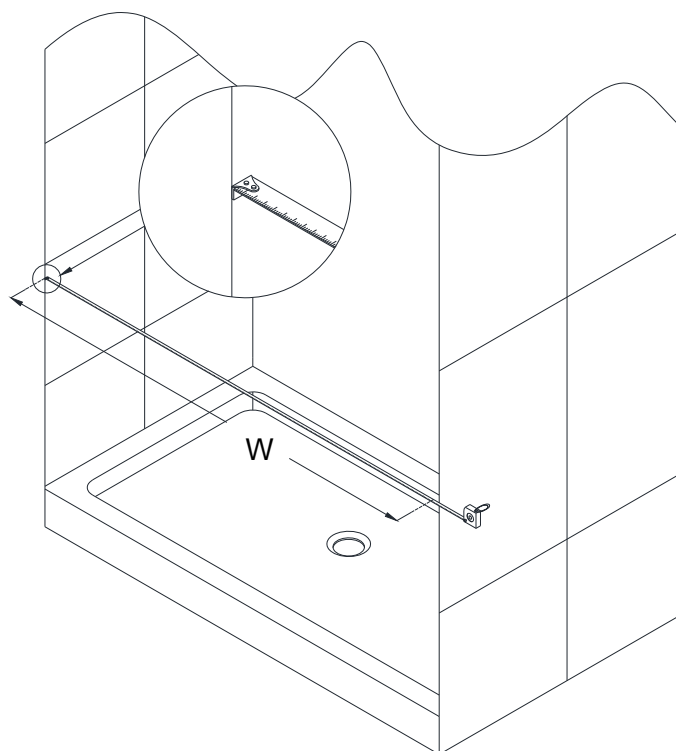


Fig. 1

2. Your **Guide rails (#03)** have been precut for the model width of: **60"**. (the rails are shorter than the model width by design).
If **W** is less than 60" (**W < 60"**), then you will need to cut the **Guide rails (#03)** equally from both ends.
*Model Width-Finished opening **W = L***
The length to cut off will be "**L**".

In order to keep the pre-drilled center stopper holes centered, it is necessary to cut the top and bottom guide rails equally from both ends. Take **L** and divide by 2 and **cut off equally from each end**.

Example:

60" (model) - 58" opening = 2"

2" divide by 2 = 1" (cut from each end)

See Fig. 2 & Fig. 3 for details.

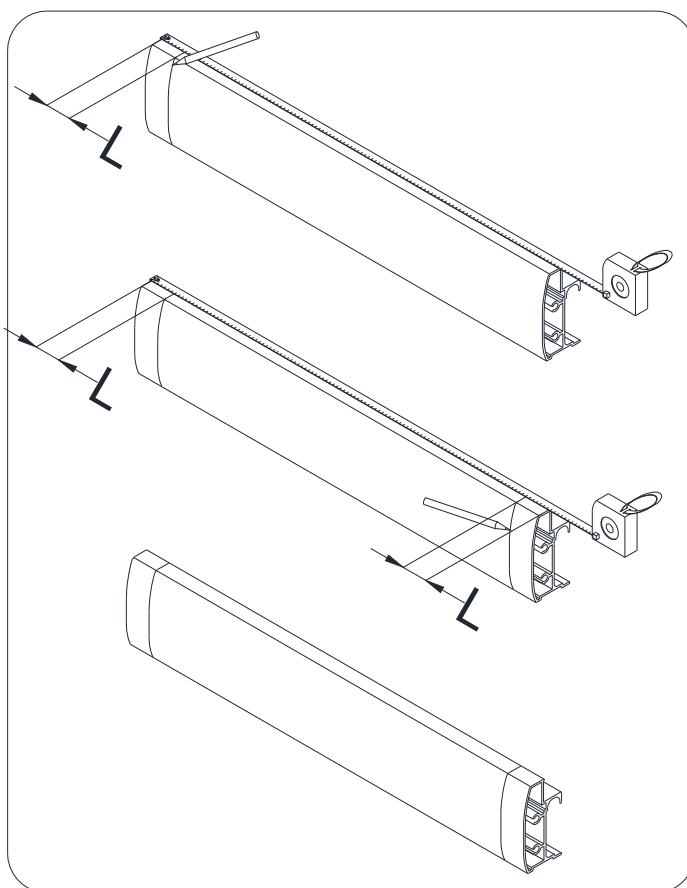


Fig. 2

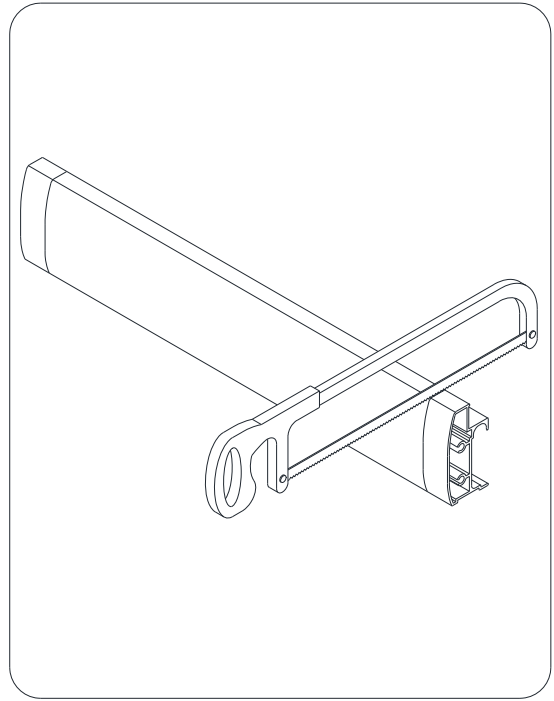


Fig. 3

3. Once the **Guide rails (#03)** have been cut, you will need to reinstall the roller stoppers on each **Guide rail (#03)** on both ends. It is important that these stoppers are installed at the correct location. Remove the existing stopper. Mark the drilling hole at a distance of **2"** from the cut off end of the **Guide rail (#03)**. Drill a new hole using an **Ø 1/8"** drill bit; then re-attach the stopper with the screw.

ATTENTION:

Do not drill all the way through the Guide rail, only drill into the first layer.

See Fig. 4 for details

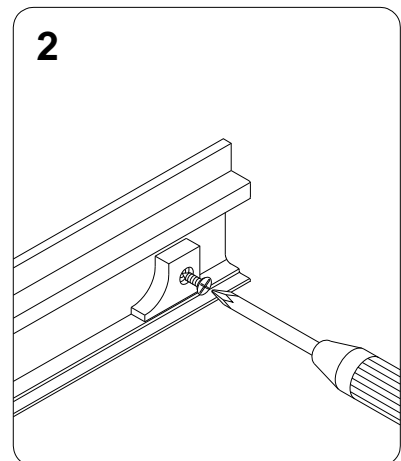
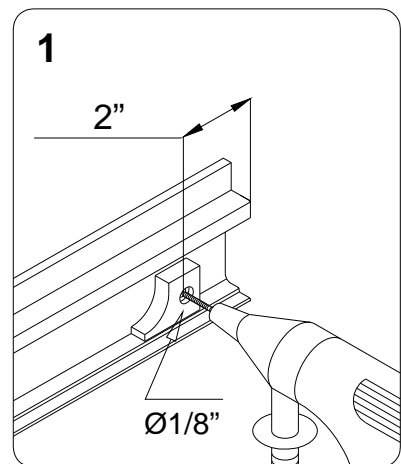


Fig. 4

4. Fasten the bottom **Guide rail (#03)** to the **Glass profiles (#01)** with the **Round head screws ST4.2x25 (#11)**.
See Fig. 5 for details.

TIP: For ease of assembly, add some liquid soap or wax to lubricate the screws prior to attaching the glass profiles to the guide rails. Also, use a low setting on your power drill to prevent stripping the screws during assembly.

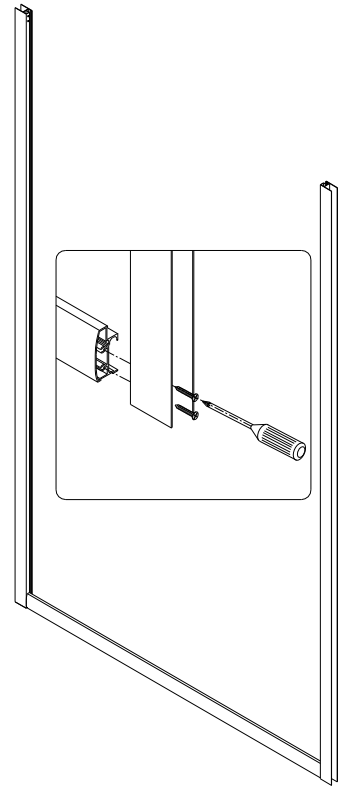


Fig. 5

5. Slide both pieces of **Stationary glass (#05)** fully into the grooves of the **Glass profiles (#01)**, and then secure them using the **Glass holders (#16)** to the bottom **Guide rail (#03)** using the **ST4.2 x 16 FH screws (#13)**. It may be necessary to drill an $\text{Ø } 1/8''$ hole in the rails to attach the **Glass holders (#16)**. Mark the holes and remove the glass to drill these holes to prevent damaging or breaking the glass while drilling.

See Fig. 6 for details.

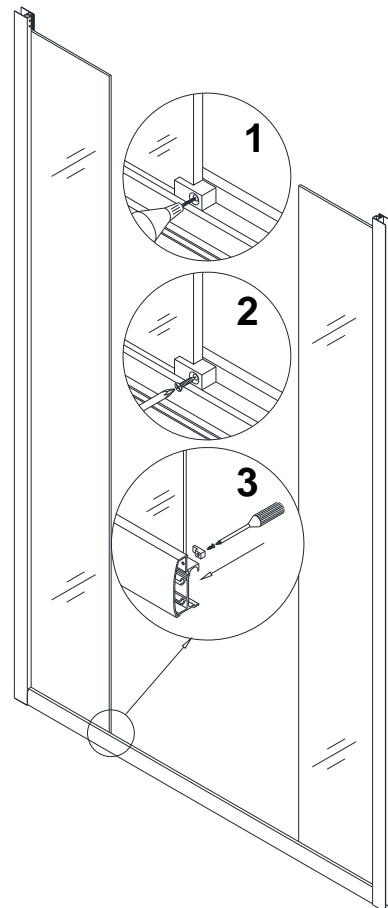


Fig. 6

6. Install the **Single side strips (#09)** in-between the **Stationary glass (#05)** and the **Glass profiles (#01)**. The strips should be inserted on the side that is facing the inside of the shower. (See detail in Fig. 7)

ATTENTION:

Do not use a screwdriver or other metal objects to install the Single Side Strip; you can scratch or damage the glass and aluminum.

7. Repeat Step #4 and Step #5 to fasten the upper **Guide rail (#03)** to the **Glass profiles (#01)** and secure the **Stationary glass (#05)** with the **Glass holders (#16)**.

See Fig. 7 for details.

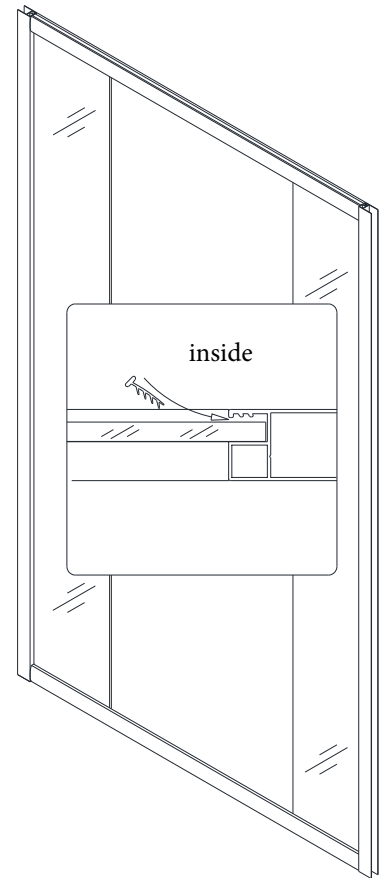


Fig. 7

8. Slide the **Wall profiles (#02)** all the way into the **Glass profiles (#01)** on both sides. Make sure the flanges of the **Wall profiles (#02)** face inside the shower.

See Fig. 8 for details.

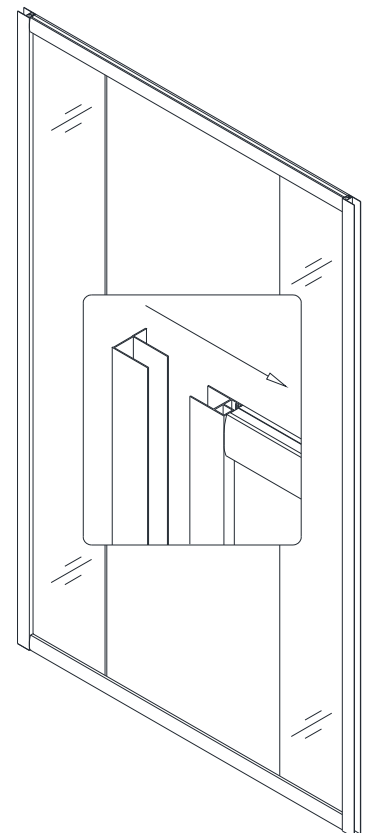


Fig. 8

9. Move the finished frame to the designated position on the shower base, the bathtub or the threshold (depending on your installation); push it against the walls. If your top and bottom wall opening measurements vary or if the walls are out-of-plumb, make adjustments by sliding the **Wall profiles (#02)** out of the **Glass Profiles (#01)**.
Use a level to adjust the frame so that it is plumb.

See Fig. 9 for details.

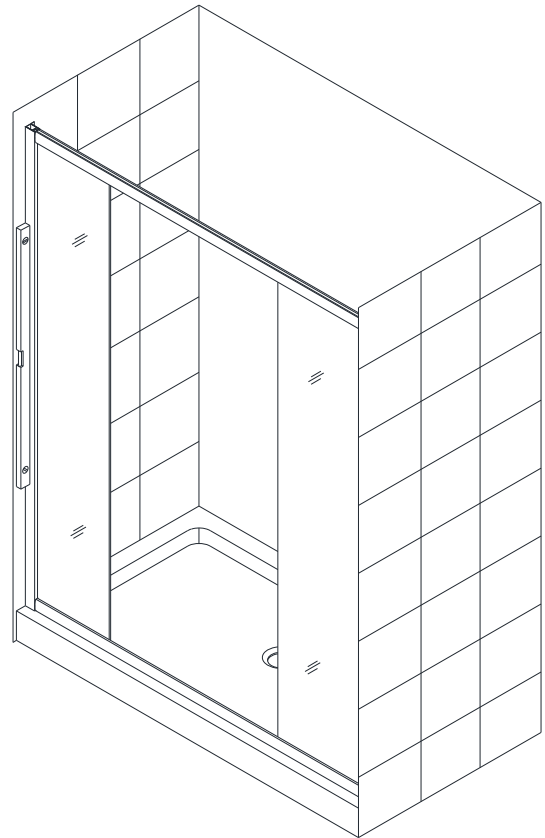


Fig. 9

10. Using help to hold this assembly in the right position, mark the drill holes on the wall through the holes on the flange of the **Wall Profiles (#02)**.
11. Gently set the assembled unit aside; drill the holes using a $\text{Ø } 5/16''$ drill bit and insert the **Wall anchors (#15)**.
Apply silicone caulk along the **Wall profiles (#02)** and around the holes on the wall. Also apply silicone under the bottom **Guide rail (#03)**.
Place the whole shower assembly back into the designated position and secure it to the walls using the **Round head screws ST4.2x30 (#10)**.

See Fig. 10 for details.

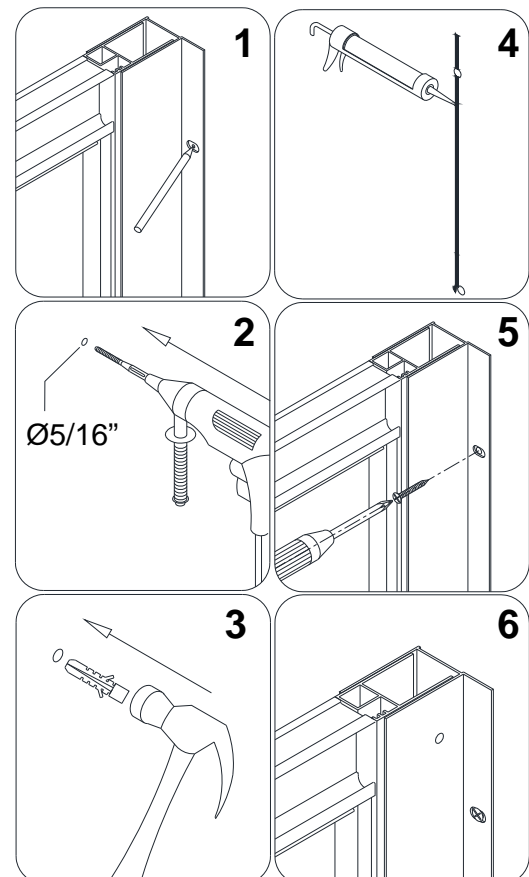


Fig. 10

12. Fasten the top and the bottom **Wheel assemblies (#17)** to the **Glass doors (#04)**. The top wheels can adjust the door level with the adjustable bolt and lock nut. The bottom wheel has a press button to fix the wheel on to the bottom **Guide rail (#03)**.

Note:

The lock nut of the upper wheel and the press button of the bottom wheel should be pointing up. (Fig 11.1 and 11.2)

See Fig. 11 for details.

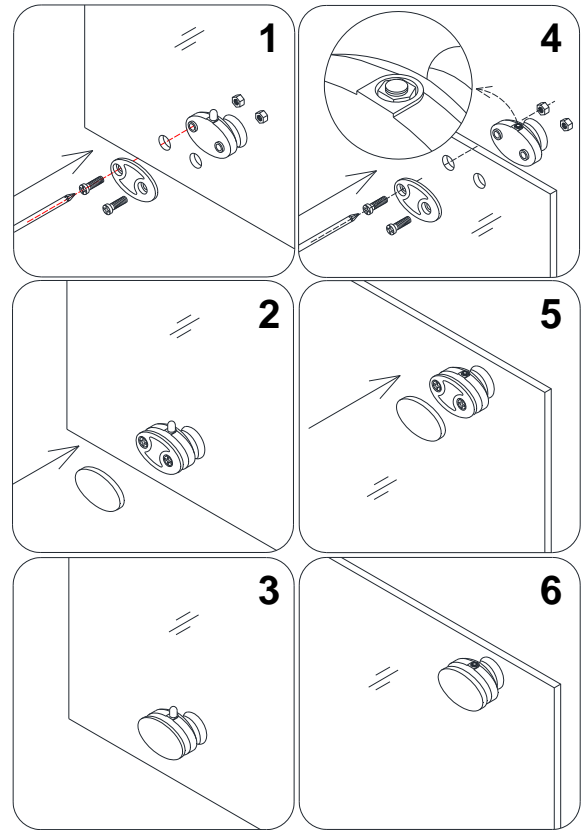


Fig. 11

13. Slide the top door wheels into the top **Guide rail (#03)**. Push the bottom wheels into the bottom **Guide rail (#03)** by pressing down on the button on the **Wheel assembly**. (Fig 12.2) Use a Phillips screwdriver #2 to adjust the upper wheels to make sure they track smoothly and the door closes tight. (**do not use a power screwdriver to avoid damaging the assembly**)

See Fig. 12 for details.

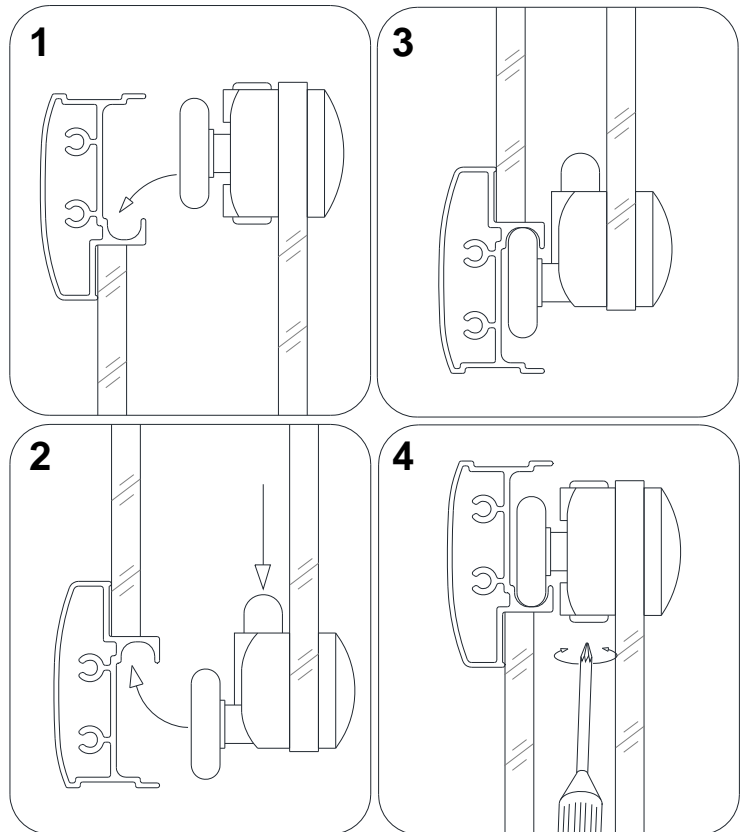


Fig. 12

14. Install the **Handles (#06)** to the **Glass doors (#04)**.(Fig 13.1)
 Press the **anti-water strips (#08)** onto the vertical edges of the **Stationary glass (#05)** and both vertical edges of the **Glass doors (#04)**.
 Press the **Magnetic strips (#07)** onto the vertical edges of both **Glass doors (#04)** for a tight seal.

See Fig. 13 for details.

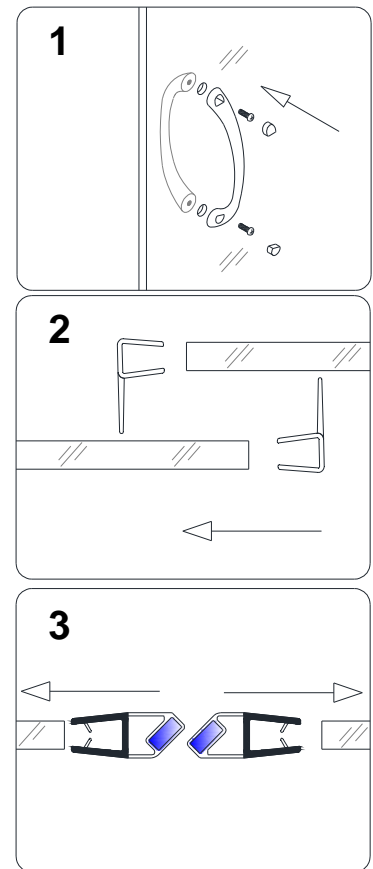


Fig. 13

15. Do the final adjustments of the assembled unit in the **Wall profiles (#02)**. **Make sure that the bottom rail is tight to the the threshold.**

Drill the holes in the **Glass profile (#01)** through predrilled holes in the **Wall Profile (#02)** using $\text{Ø } 1/8''$ drill bit.

ATTENTION:

Do not drill the profile throughout, only the first layer of the wall profile.

Secure the **Wall profile (#02)** to the **Glass profile (#01)** using the **Round head screws ST4.2×10 (#12)**.

Cover the exposed screw heads with the **Decorative covers (#14)**.

See Fig. 14 for details.

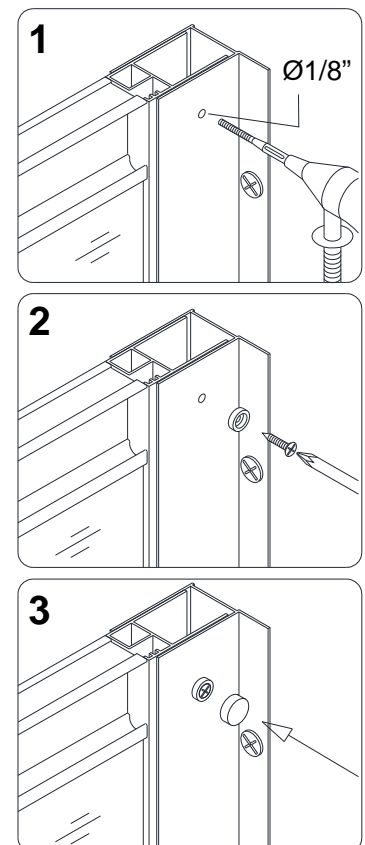


Fig. 14

16. Apply a good quality mildew resistant silicone along the profiles and guide rails; on the seams between the bottom guide rail and the profiles as well as along the shower base or threshold.

See Fig. 15 for details.

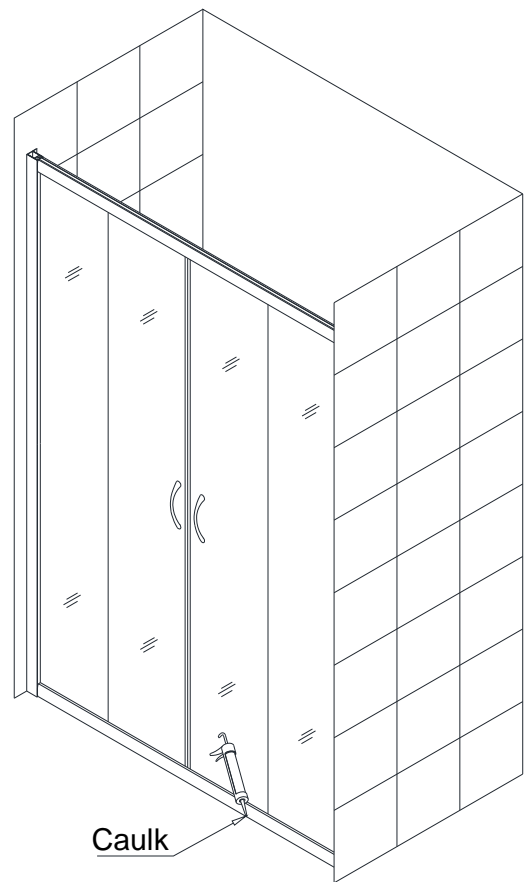


Fig. 15

Product Maintenance

BASES and BACKWALLS: To ensure a long life for your acrylic back walls: wipe them off after each use with a soft cloth. To clean the acrylic back walls use non-abrasive sprays or cream based cleaners. Never use abrasive cleansers, metal brushes or scrapers that could scratch or dull the surface.

GLASS: To ensure long lasting life for your glass shower products: wipe them off after each use with a soft cloth. Rinse and wipe off the glass using either a soft cloth or a squeegee to prevent soap buildup and water spots. To prevent scratching the surface: never use abrasive cleaners and cleaning products that contain scouring agents. Never use bristle brushes or abrasive sponges.

HARDWARE: To ensure a long lasting finish: wipe off the metal parts after each use with a soft cloth. Do not use abrasive cleaners or cleaning products containing ammonia, bleach or acid. If accidentally used, rinse the surface as soon as possible to prevent finish peeling or corrosion. After cleaning the shiny finishes, rinse thoroughly and wipe dry with soft cloth. Clean stainless steel surfaces at least once a week. When applying stainless steel cleaner or polish, work with (not across) the grain. Never use abrasive sponge or cloth, steel wool or wired brushes.



TEL: **866-731-2244**

FAX: **866-857-3638**

WWW.BATHAUTHORITY.COM

For more information on [DreamLine™ Shower Doors](http://www.BathAuthority.com) & [Tub Doors](http://www.BathAuthority.com) please visit www.BathAuthority.com