

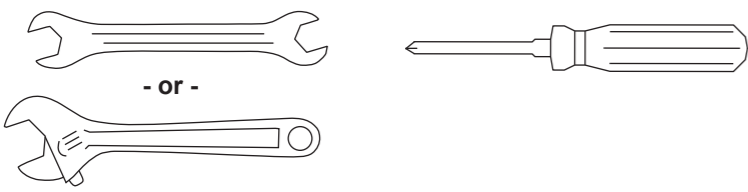
3" Round Mailbox Post with Cover and Finial (Model 7513) Assembly Instructions

Thank you for purchase this premium mailbox post. We know you'll be satisfied with the years of service it will provide. If you have any questions about how to assemble or install this product, or if you need any replacement parts, please call us directly at (800) 464-7491 or contact us at support@architecturalmailboxes.com.

Assembly Instructions

Tools (not included)

Two open end wrenches Phillips head screwdriver



- or -

Hardware (included)

1 To join the two post pieces: x 6, large sheet metal screws

2 To join the two decorative covers: x 4, 3/8" Phillips screws

3 To join the two support arm pieces: x 4, rubber pads

4 To attach the mailbox using the top mounting holes: x 4, 5/16" hex bolts

5 To attach the mailbox using the side mounting holes: x 4, 1-3/4" Phillips screws

6 To attach the finial: x 2, 4mm Phillips screws

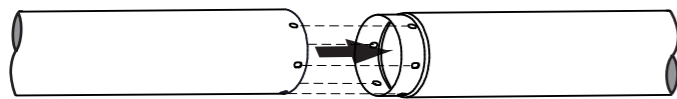
x 4, self-adhesive foam pads (optional)

x 6, 3/8" Phillips screws

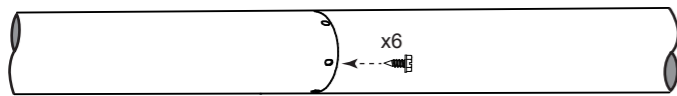
x 4, 5/16" washers

x 4, nylon spacers (optional)

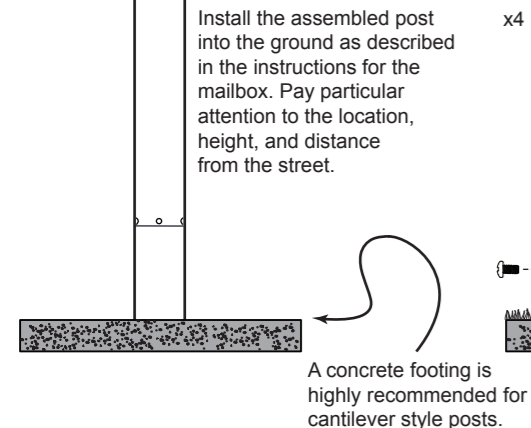
1a Lay post pieces on a flat surface, making sure to align the screw holes.



1b Join the two post pieces together using the 6 sheet metal screws. **DO NOT** overtighten. Tighten only until snug.

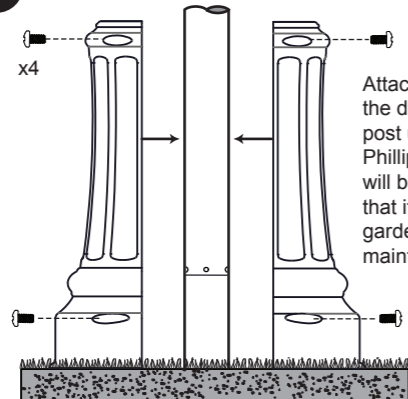


2 Install the assembled post into the ground as described in the instructions for the mailbox. Pay particular attention to the location, height, and distance from the street.

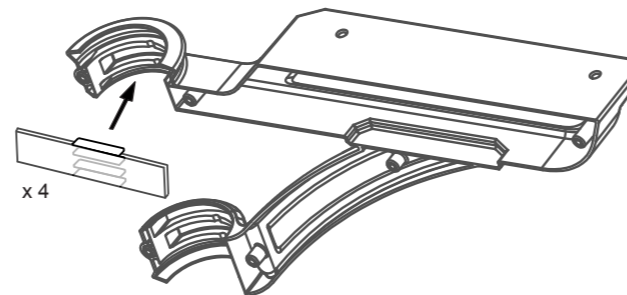


3 Attach the two halves of the decorative post cover post using the 4, 3/8" Phillips screws. The cover will be slightly loose so that it can be raised during gardening or lawn maintenance.

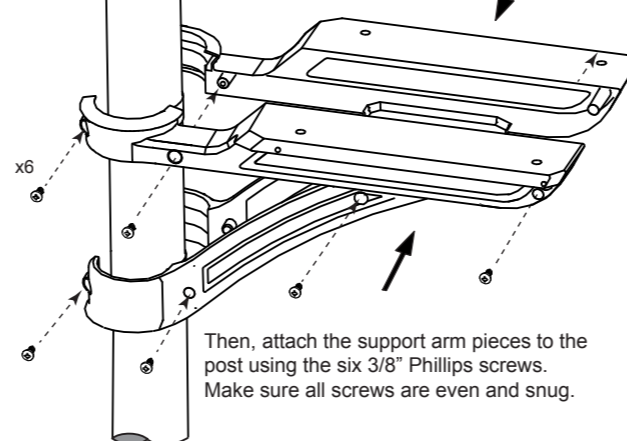
Optional: If desired, attach the self-adhesive foam pads to the cover or to the post where the two parts meet to prevent rattling or rubbing.



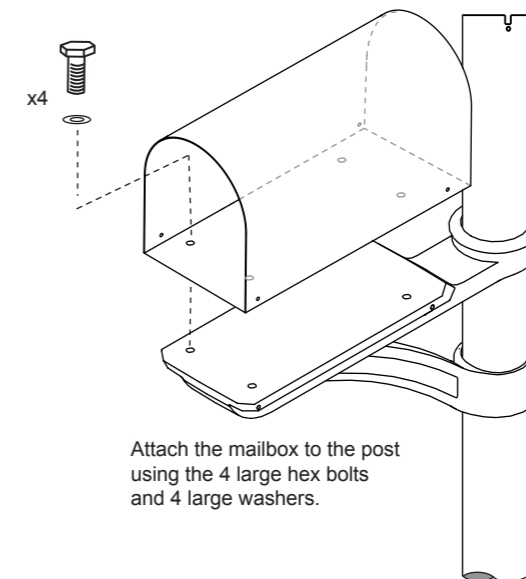
4a Press the rubber pads into the grooves of the support arm pieces.



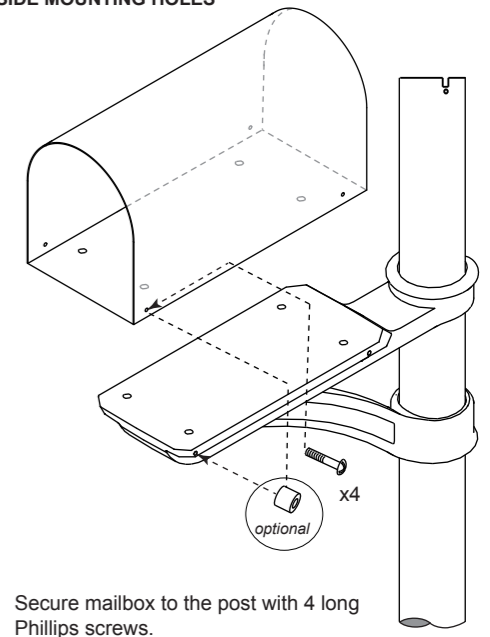
4b Locate the correct height for the support arm. According to USPS requirements, the top surface of the arm should rest from 41" to 45" from the road surface. Refer to the mailbox instructions for more details.



5 TO INSTALL USING TOP MOUNTING HOLES



TO INSTALL USING SIDE MOUNTING HOLES



If you are mounting a wider (T2 sized) mailbox, insert a nylon spacer in between the mailbox and post arm at each of the side hole locations.

