



(Fan with Humidity Sensor/Dimmable LED Light – 100 CFM)

	Full Speed:	Low Speed:		
	100 CFM/1.5 Sones @ 0.1" SP, 13.6 Watts 72 CFM/1.5 Sones @ 0.25" SP, 11.6 Watts	60 CFM/0.6 Sones @ 0.1" SP, 4.8 Watts 42 CFM/1.0 Sones @ 0.25" SP, 6.2 Watts		

Description

Low noise ceiling mount ventilating Fan/LED Light with humidity sensor. Fan is ENERGY STAR® qualified, HVI, UL, and cUL certified, and can be used to comply with ASHRAE 62.2 Intermittent Local Exhaust, CA Title 24, and CAL Green requirements.

DC Motor/Blower

- Power rating of 120 volts/60Hz
- DC Brushless motor engineered to run continuously
- Motor equipped with thermal cutoff fuse
- Removable with permanently lubricated plug-in motor
- Allows fan to operate in full speed mode or humidity control mode by manual switch
- For humidity control mode, when humidity is above the user-adjustable set-point, fan runs at full speed (100 CFM) When humidity is below the set-point, the fan runs continuously at a pre-set lower level (0 or 60 CFM)
- Built-in soft start function to increase bearings' life
- Automatically powers OFF when impeller is locked abnormally
- Permanently lubricated motor
- Self-compensating motor speed for intended airflow when static pressure is encountered

Housing

- Galvanized steel body
- Detachable 4" diameter duct adapter
- Built-in backdraft damper
- Easy installation

Grille

- Attractive design using ABS material
- Attaches directly to housing with torsion springs

Light

- 13-Watt LED Light output 850 Lumens, 2700K
- Dimmable Lighting (dimmer switch not included)

LED Indicator

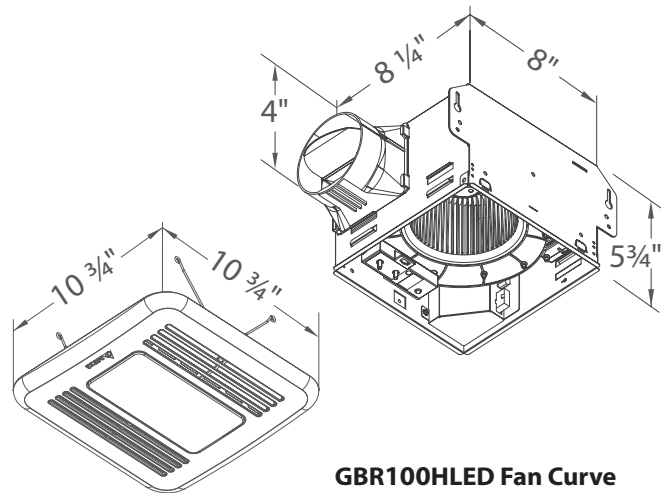
- Blue and amber LED indicator lights to show humidity sensor and full speed modes

Warranty

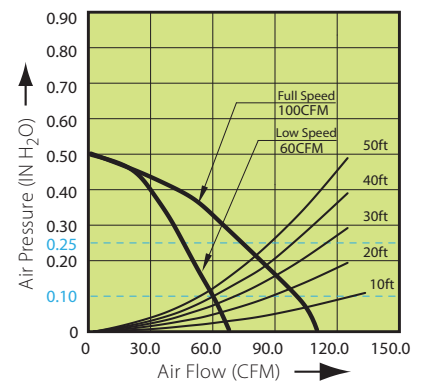
- 3-Year limited warranty

TYPICAL SPECIFICATION

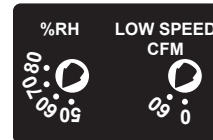
Ventilation fan shall be Delta Breez model GBR100HLED; ENERGY STAR qualified with DC brushless motor engineered to run continuously for a minimum 70,000 hours; airflow rating of 100 CFM and loudness rating of 1.5 Sones at 0.1 static pressure as certified by the Home Ventilating Institute (HVI); power consumption of 13.6 Watts with efficiency rating of 7.3 CFM/Watt at 0.1" static pressure; fan will feature LED indicator running light, motor lock protection and self-compensating motor speed for intended airflow when static pressure is encountered. UL and cUL listed for tub/shower enclosure when used with GFCI-protected branch circuit wiring.



GBR100HLED Fan Curve



Control Options



GBR100HLED - 100 CFM				
Fan Speed	Continuous Low Speed		Full Speed	
Static Pressure (Inches w.g.)	0.1	0.25	0.1	0.25
Air Flow (CFM)	60	42	100	72
Sones	0.6	1.0	1.5	1.5
Power Consumption (Watts)	4.8	6.2	13.6	11.6
Energy Efficiency (CFM/Watts)	12.5	6.7	7.3	6.2
Current (Amps)	0.35 Max			
Power Rating (V/Hz)	120/60			
Dimmable LED Light (Watts)	13			

Model	Quantity	Comments	Project:
			Location:
			Architect:
			Engineer:
			Contractor:
			Submitted by:
			Date: