

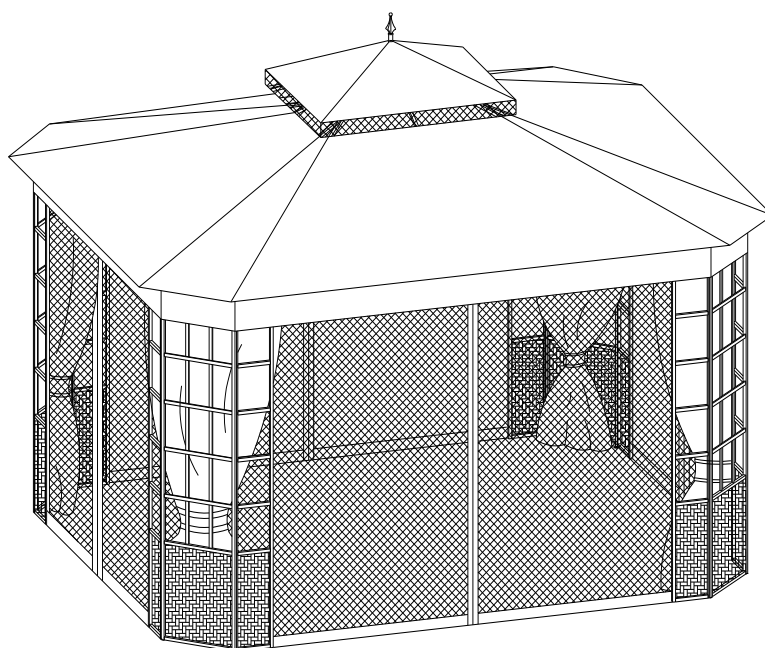


Item #1003 421 783  
Model #L-GZ1261PST

# USE AND CARE GUIDE

---

## VERRADO GAZEBO



Questions, problems, missing parts? Before returning to the store,  
call Hampton Bay Customer Service  
8 a.m. - 7 p.m., EST, Monday-Friday, 9 a.m. - 6 p.m., EST, Saturday

**1-855-HD-HAMPTON**

**HAMPTONBAY.COM**

---

### **THANK YOU**

*We appreciate the trust and confidence you have placed in Hampton Bay through the purchase of this gazebo. We strive to continually create quality products designed to enhance your home. Visit us online to see our full line of products available for your home improvement needs. Thank you for choosing Hampton Bay!*

# Table of Contents

Table of Contents.....	2	Pre-Assembly .....	3
Safety Information.....	2	Planning assembly.....	3
Warranty.....	2	Hardware Included.....	3
What is Covered.....	2	Package Contents.....	4
What is Not Covered .....	2	Assembly .....	6
		Care and Cleaning .....	11

# Safety Information

1. More than four people are required for this assembly.
2. Some parts may contain sharp edges. Wear protective gloves.
3. When assembling and using this product, basic safety precautions should always be followed to reduce the risk of personal injury and damage to equipment. Please read all instructions before assembly and usage.



**DANGER:** This unit is heavy! Do not assemble this item alone.



**WARNING:** Do not leave the pergola where there is a risk of high wind, as possible damage will occur to the structure.



**CAUTION:** Do not climb on top of the pergola. Falling off the gazebo can result in serious injury, possibly even death.



**WARNING:** Keep all flame and heat sources away from this pergola fabric. This pergola is made with fabric that meets CPAI-84 specifications for flame resistance. It is not fire proof. The fabric will burn if left in continuous contact with any flame source. The application of any foreign substance to the pergola fabric may render the flame-resistant properties ineffective.

**NOTICE:** For outdoor use only.

# Warranty

## 2 YEAR WARRANTY

### WHAT IS COVERED

This limited warranty is extended to the original purchaser and applies to defects in materials and workmanship of your item provided the item is maintained with care and used only for personal, residential purposes. The item is warranted to be free from defects in material or workmanship for a period of 2 years.

### WHAT IS NOT COVERED

We do not reimburse for transportation of delivery costs, or compensate the individual or any outside party for assembling or disassembling the product.

Contact the Customer Service Team at 1-855-HD-HAMPTON or visit [www.hamptonbay.com](http://www.hamptonbay.com)

Production Number: xxxxxxxx

# Pre-Assembly

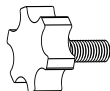
## PLANNING ASSEMBLY

Before beginning assembly of this product, make sure all parts are present. Compare parts with the Hardware Included and Package Contents lists. If any part is missing or damaged, do not attempt to assemble the product. Contact customer service for replacement parts.

## HARDWARE INCLUDED



**NOTE:** Hardware not shown to actual size.



\_\_\_AA



\_\_\_BB



\_\_\_CC

Part	Description	Quantity
AA	M6 X 20 Bolt	24
BB	∅ 6*180 "7" shape Stake	8
CC	Plastic Ring	104

## ADDITIONAL HARDWARE

Part	Description	Quantity
AA	M6 X 20 Bolt	1
CC	Plastic Ring	1

# Pre-Assembly (continued)

## PACKAGE CONTENTS



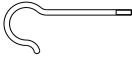
\_\_\_A



\_\_\_B



\_\_\_C



\_\_\_D



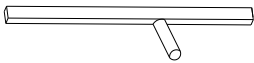
\_\_\_E



\_\_\_F



\_\_\_G



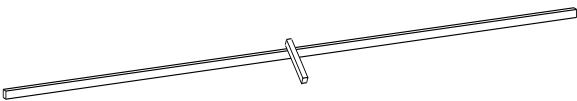
\_\_\_H



\_\_\_I



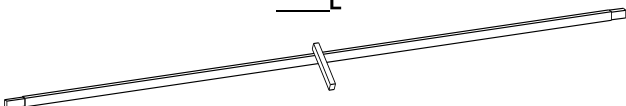
\_\_\_J



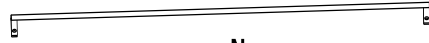
\_\_\_K



\_\_\_L



\_\_\_M



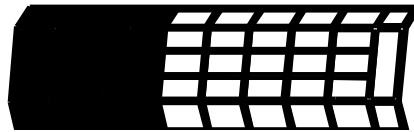
\_\_\_N



\_\_\_O



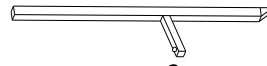
\_\_\_P



\_\_\_Q



\_\_\_R



\_\_\_S



\_\_\_T



\_\_\_U



\_\_\_V



\_\_\_W

## Pre-Assembly (continued)

<b>Part</b>	<b>Description</b>	<b>Quantity</b>
A	Decoration	1
B	Small Connector	1
C	Big Connector	1
D	Hook	1
E	Top Oblique Beam	4
F	Long Oblique Beam	4
G	Short Oblique Beam	4
H	Bottom Oblique Beam	8
I	Short Middle Beam	2
J	Long Middle Beam	2
K	Long Cross Beam	2
L	Side Cross Beam	4
M	Short Cross Beam	2
N	Mosquito Netting Beam 1	4
O	Mosquito Netting Beam 2	4
P	Mosquito Netting Beam 3	4
Q	Screen Panel	4
R	Stake Panel	8
S	Small Oblique Beam	4
T	Small Canopy	1
U	Big Canopy	1
V	Mosquito Netting	1
W	Private Curtain	1

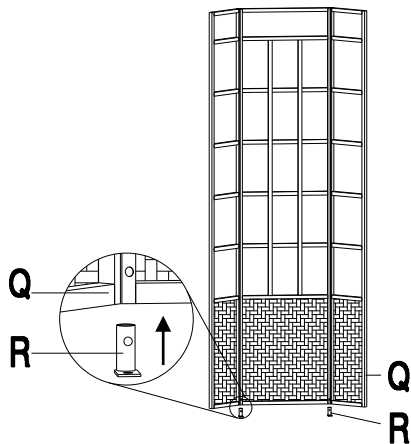
# Assembly

## 1 Attaching the Stake panels

- Insert the Stake Panel (R) on the Screen Panel (Q).



**NOTE:** To avoid destroying the finish, do not put the parts on the ground directly.

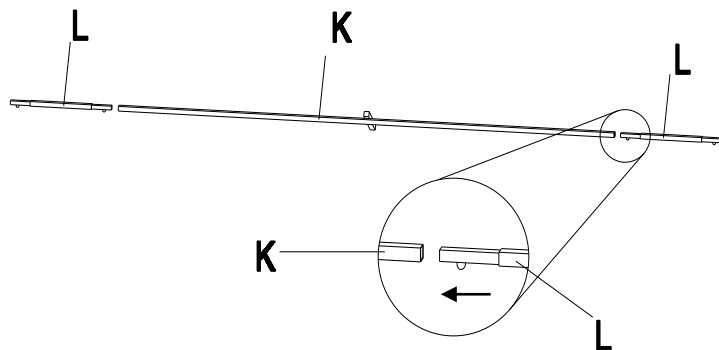


## 2 Assembling the Long Cross Beam

- Insert the Side Cross Beams (L) to the Long Cross Beam (K).



**NOTE:** To avoid destroying the finish, do not put the parts on the ground directly.

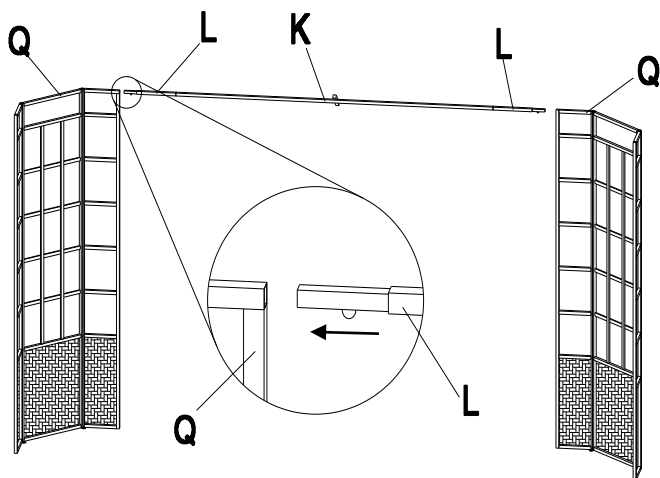


## 3 Connecting the Long Cross Beam with Screen Panels

- Insert the assembled Long Cross Beam (K&L) to the Screen Panel (Q).



**NOTE:** To avoid destroying the finish, do not put the parts on the ground directly.

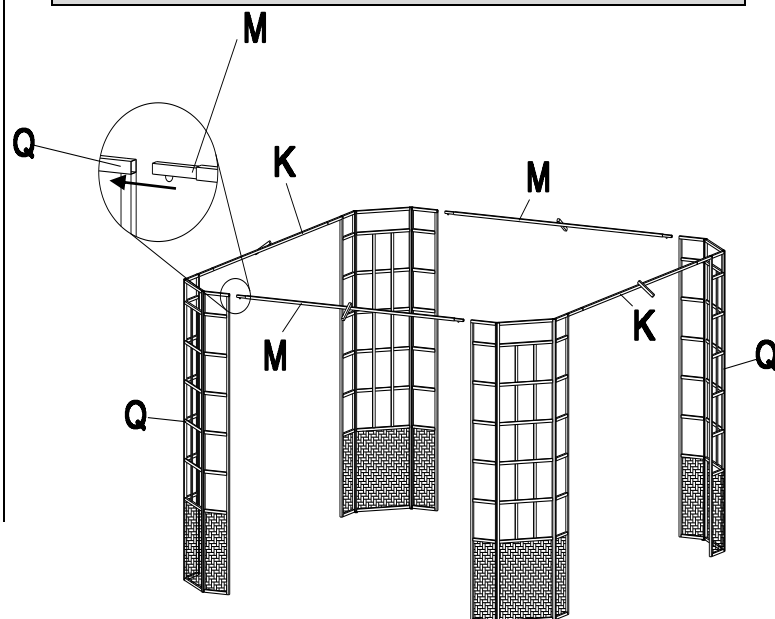


## 4 Connection the Short Screen Panels

- Insert the Short Cross Beam (M) to the Screen Panel (Q).



**NOTE:** To avoid destroying the finish, do not put the parts on the ground directly.

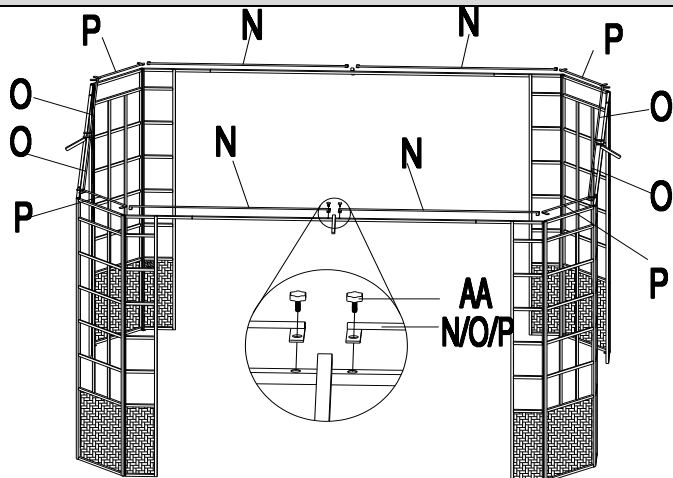


# Assembly (continued)

## 5 Attaching Mosquito Netting Bars

- ❑ Attach the Mosquito Netting Bar (N&O&P) on the Cross Beam (K&M) using Bolts (AA).

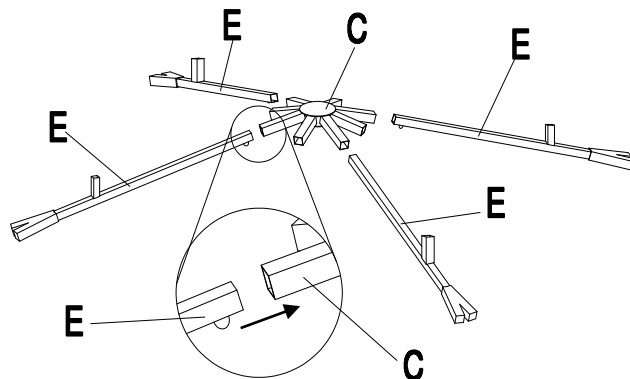
 **NOTE:** To avoid destroying the finish, do not put the parts on the ground directly.



## 6 Attaching Top Oblique Beams

- ❑ Insert the Top Oblique Beam (E) to the Big Connector (C).

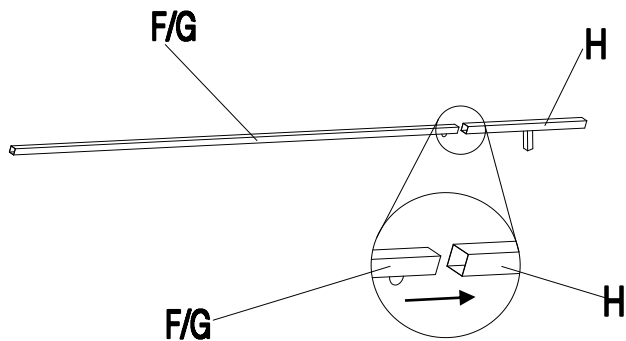
 **NOTE:** To avoid destroying the finish, do not put the parts on the ground directly.



## 7 Connecting the Oblique Beams


- ❑ Insert the Oblique Beam (F&G) to the Bottom Oblique Beam (H).

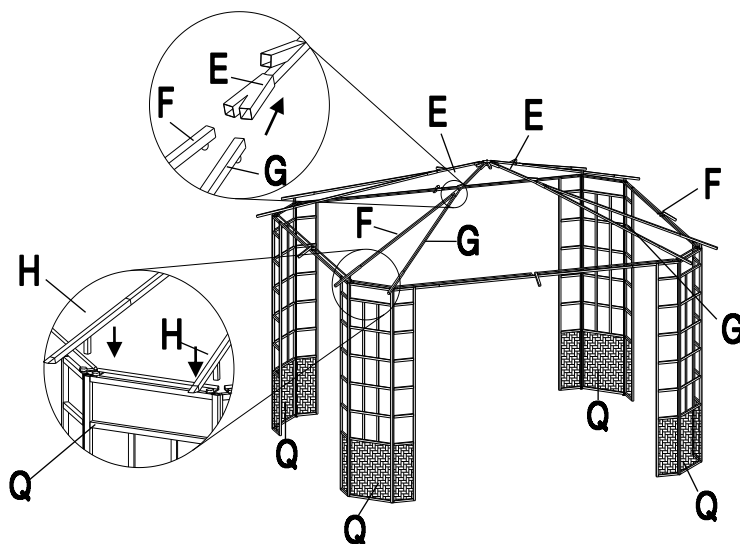
 **NOTE:** To avoid destroying the finish, do not put the parts on the ground directly.



## 8 Attaching the Oblique Beams

- ❑ Insert the top of the assembled Oblique Beam (F&G) to the Top Oblique Beam (E). Insert the bottom of the assembled Oblique Beam (F&G) to the Screen Panel (Q).

 **NOTE:** To avoid destroying the finish, do not put the parts on the ground directly.



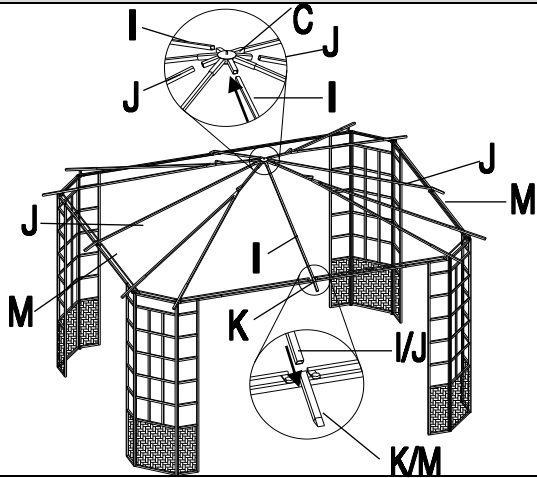
# Assembly (continued)

## 9 Attaching Middle Beams

- ❑ Insert the top of the Middle Beams (I&J) to the Big Connector (C). Insert the bottom of the Middle Beams (I&J) to the Cross Beam (K&M).



**NOTE:** To avoid destroying the finish, do not put the parts on the ground directly.

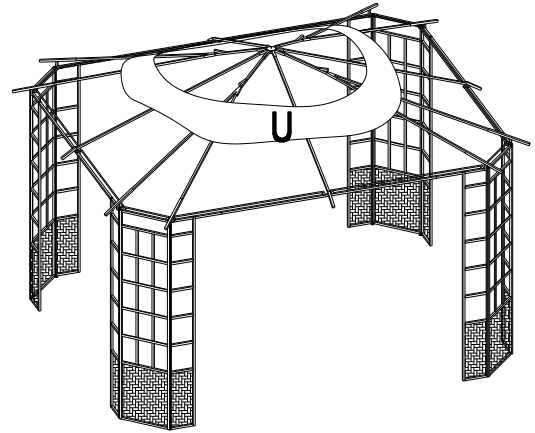


## 10 Putting the Big Canopy

- ❑ Put the Big Canopy (U) on the roof, do not spread it now.



**NOTE:** To avoid destroying the finish, do not put the parts on the ground directly.

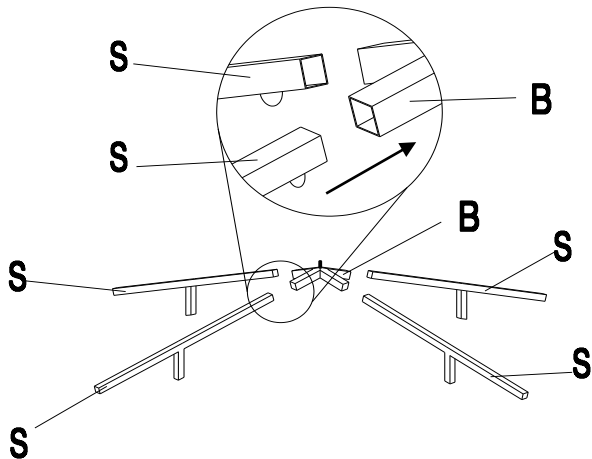


## 11 Assembling the small roof

- ❑ Insert the Small Oblique Beam (S) to the small connector (B).



**NOTE:** To avoid destroying the finish, do not put the parts on the ground directly.

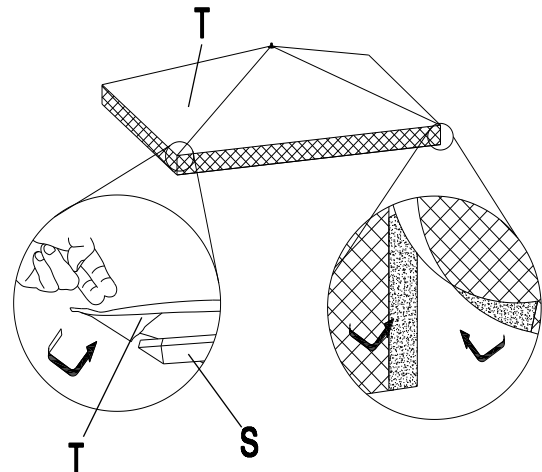


## 12 Attaching the Small Canopy

- ❑ Attach the Small Canopy (T) to the Small Roof, aligning the corners and stretching it to fit. Close the netting.



**NOTE:** To avoid destroying the finish, do not put the parts on the ground directly.





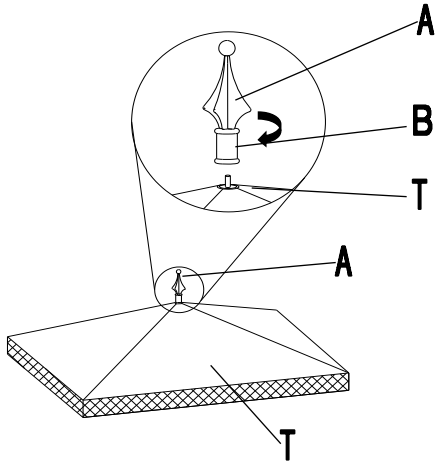
# Assembly (continued)

## 13 Attaching the Decoration

- Screw the Decoration (A) to the Small Top Connector (B).



**NOTE:** To avoid destroying the finish, do not put the parts on the ground directly.

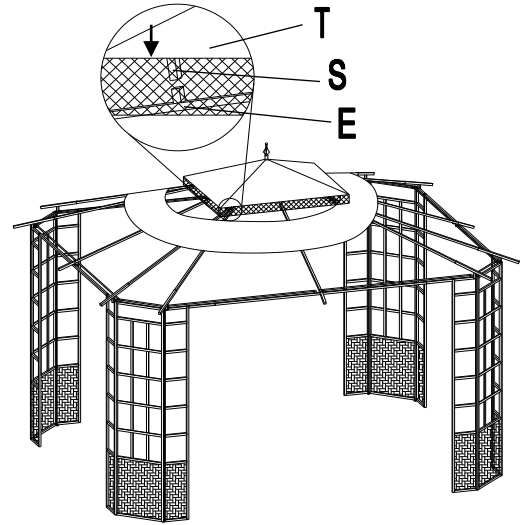


## 14 Attaching the Small Roof

- Attach the assembled small roof by inserting the Small Oblique Beam (S) to the Top Oblique Beam (E).



**NOTE:** To avoid destroying the finish, do not put the parts on the ground directly.

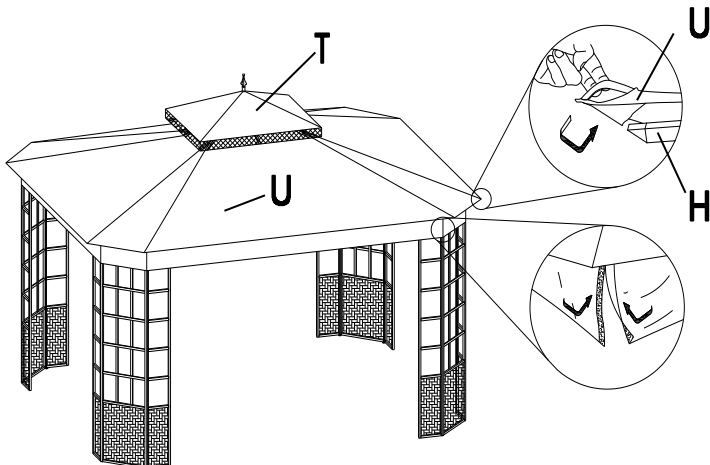


## 15 Spreading the Big Canopy

- Spread the Big Canopy (U), aligning the corners where it has no hand loop to the Oblique Beam (H), aligning the corner where it has a hand loop. Close the valance at the corners.



**NOTE:** To avoid destroying the finish, do not put the parts on the ground directly.

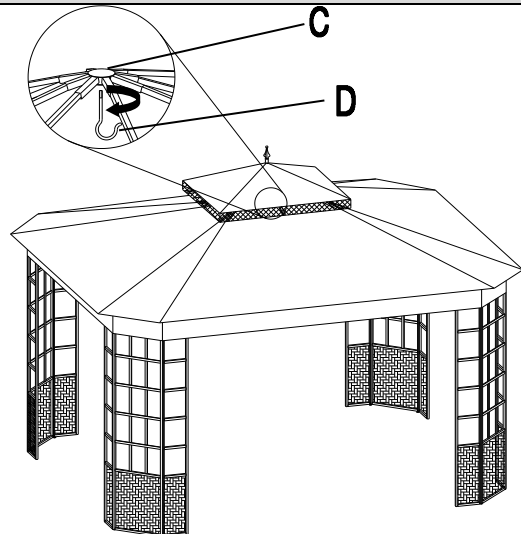


## 16 Attaching the Hook

- Screw the Hook (D) to the Big Connector (C).



**NOTE:** To avoid destroying the finish, do not put the parts on the ground directly.



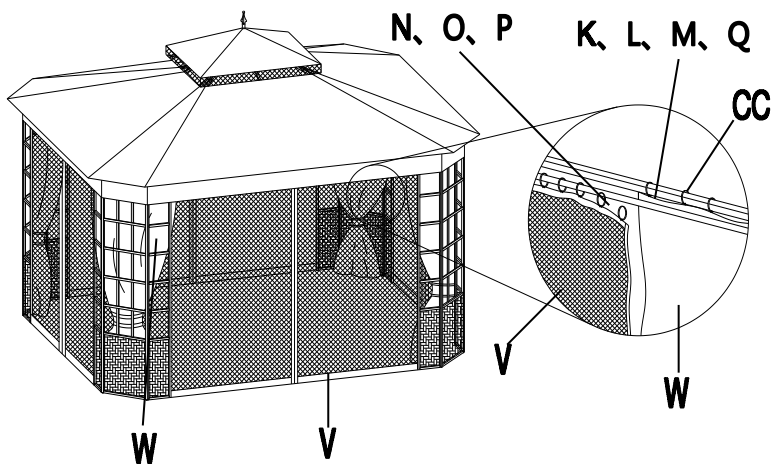
## Assembly (continued)

### 17 Attaching the Curtain and Netting

- Hang the Private Curtain (W) on the Cross Beams (K&L&M) and Screen Panel (Q) using Ring (CC); Hang the Mosquito Netting (V) on the Mosquito Netting Beam (N&O&P) using the rings (CC);



**NOTE:** To avoid destroying the finish, do not put the parts on the ground directly.

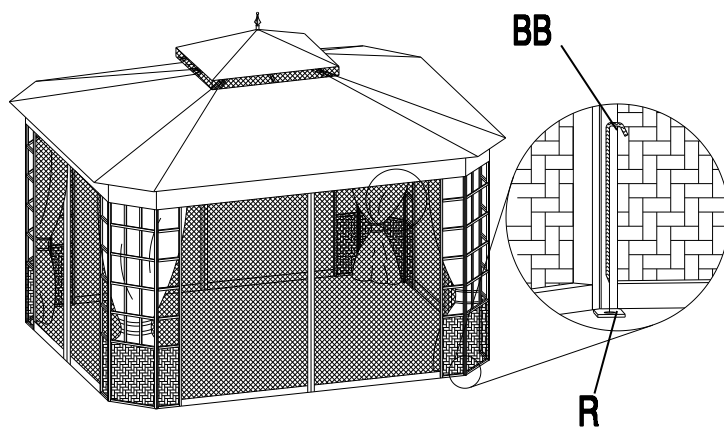


### 18 Securing the Gazebo

- Secure the assembled gazebo to the lawn with the Stakes (BB).



**NOTE:** To avoid destroying the finish, do not put the parts on the ground directly.



## Care and Cleaning

---

- Before using, clean the gazebo completely with a soft dry towel.
- Do not put your gazebo in wet conditions where there is a risk of rust developing.
- When not in use, store in a cool, dry area.



Questions, problems, missing parts? Before returning to the store,  
call Hampton Bay Customer Service  
8 a.m. - 7 p.m., EST, Monday- Friday, 9 a.m. - 6 p.m., EST, Saturday

**1-855-HD-HAMPTON**

**WWW.HAMPTONBAY.COM**

Retain this manual for future use.