



SKYFORT II SWING SET

Model # 6113 rev. C | Owner's Manual & Assembly Instructions

MANUFACTURED BY:
Backyard Discovery
3305 Airport Drive
Pittsburg, KS 66762
800-856-4445



INSTALLATION SERVICES AVAILABLE!*

Need a helping hand?

Let our team of professionals handle the installation for you!

GOCONFIGURE
888-888-5424

*Installation services are only available to U.S. customers.

average 2 person assembly time



assembly time may vary based on skill level

Before you begin

FOR QUICK & EASY ASSEMBLY

FIND 3D INSTRUCTIONS FOR THIS PRODUCT IN

BILT.

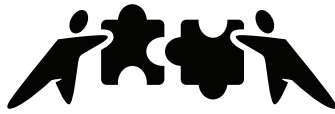
DOWNLOAD THE FREE APP



For the most up to date assembly manual, to register your set, or to order replacement parts please visit www.backyarddiscovery.com

SAVE THIS ASSEMBLY MANUAL FOR FUTURE REFERENCE IN THE EVENT THAT YOU NEED TO ORDER REPLACEMENT PARTS.

Para obtener instrucciones en español, visite www.backyarddiscovery.com



GOCONFIGURE
Putting it all together for you

INSTALLATION SERVICES AVAILABLE!*

Need a Helping Hand?
Let our team of professionals
handle the installation for you!

GOCONFIGURE
888-888-5424

With Go Configure, we bring you 18 years of experience right to your doorstep. We service a wide array of indoor and outdoor recreation products that most consumers don't have the time or ability to deliver & install themselves.

We do the heavy lifting, so you don't have to!

-
- 18+ Years of Experience Servicing Big Box Retailers and Direct Consumers
 - Highly Skilled, Specialized, Courteous, Professional Service Technicians
 - Over 140,000 Installations Annually
 - White Glove Service
 - Satisfaction Guarantee
 - Flexible Appointments, including weekends
 - Coverage across the nation
- Visit www.goconfigure.com for more info!**
-

**Installation services are only available to U.S. customers.*



**PLEASE READ THIS BEFORE STARTING ASSEMBLY
POR FAVOR LEA ESTAS INSTRUCCIONES ANTES DE COMENZAR EL ENSAMBLAJE**

- READ THE ASSEMBLY MANUAL COMPLETELY, PAYING SPECIAL ATTENTION TO THE IMPORTANT TIPS AND SAFETY INFORMATION.
- AFTER YOU HAVE READ THE ASSEMBLY MANUAL, YOU WILL BE ABLE TO DECIDE IF YOU NEED PROFESSIONAL HELP TO COMPLETE THE ASSEMBLY OF THE PLAYSET.
- SEPARATE AND IDENTIFY ALL PARTS TO MAKE SURE THAT YOU HAVE ALL OF THE PARTS LISTED.
- IF YOU CAN'T FIND ALL OF THE PARTS, CHECK THE PACKING MATERIAL. SMALL PARTS MAY HAVE FALLEN INTO IT DURING SHIPMENT.
- IF YOU HAVE PROBLEMS WITH THE ASSEMBLY OR IF ANY PART IS MISSING OR DAMAGED, PLEASE CALL HELP LINE 1-800-765-4138 OR VISIT www.backyarddiscovery.com.
- LEA EL MANUAL DE ENSAMBLAJE COMPLETAMENTE, PRESTANDO ESPECIAL ATENCIÓN A LOS CONSEJOS ÚTILES IMPORTANTES Y A LA INFORMACIÓN SOBRE SEGURIDAD.
- DESPUÉS DE QUE HAYA LEÍDO EL MANUAL DE ENSAMBLAJE, PODRÁ DECIDIR SI NECESITA AYUDA PROFESIONAL PARA EFECTUAR EL ENSAMBLAJE DE LA UNIDAD DE JUEGOS.
- SEPARE E IDENTIFIQUE TODAS LAS PIEZAS PARA COMPROBAR QUE DISPONE DE TODAS LAS PARTES INDICADAS.
- SI NO PUEDE ENCONTRAR TODAS LAS PIEZAS, REVISE EL MATERIAL DE EMPAQUE. ES POSIBLE QUE ALGUNAS PIEZAS PEQUEÑAS PUEDAN HABERSE CAÍDO ALLÍ DURANTE EL ENVÍO.
- SI TIENE PROBLEMAS CON EL ENSAMBLAJE O SI ALGUNA PIEZA FALTA O ESTÁ DAÑADA, LLAME A LA LÍNEA DE AYUDA AL **1-800-765-4138** O VISITE www.backyarddiscovery.com.

PLEASE HAVE THE FOLLOWING INFORMATION WHEN YOU MAKE YOUR CALL:

- 1 – MODEL NUMBER OF THE PRODUCT LOCATED ON THE FRONT OF THE ASSEMBLY MANUAL
- 2 – DESCRIPTION OF THE PART FROM THE PARTS LIST

POR FAVOR TENGA VISIBLE LA SIGUIENTE INFORMACIÓN CUANDO LLAME:

- 1 - NÚMERO DE MODELO DEL PRODUCTO QUE SE ENCUENTRA UBICADO AL FRENTE DEL MANUAL DE ENSAMBLAJE
- 2 - DESCRIPCIÓN DE LA PIEZA QUE SE ENCUENTRA EN LA LISTA DE PIEZAS

Owner's Manual Play Set

Dear Customer:

Please read entire booklet completely before beginning the assembly process.

Equipment is recommended for use by **children 3 to 10 years of age**. Structures are **not intended for public use**. The Company does not warranty any of its residential structures subjected to commercial use such as: Daycare, Preschool, Nursery School, Recreational Park, or any similar Commercial Application.



WARNING: This Symbol points out important safety instructions which, if not followed, could endanger the personal safety of yourself and your children and/or damage your property. You **MUST** read and follow all instructions in this manual before attempting to use this playcenter.



WARNING: Children must **NOT** use this playcenter until unit has been completely assembled and inspected by an adult to insure set has been properly installed and anchored.

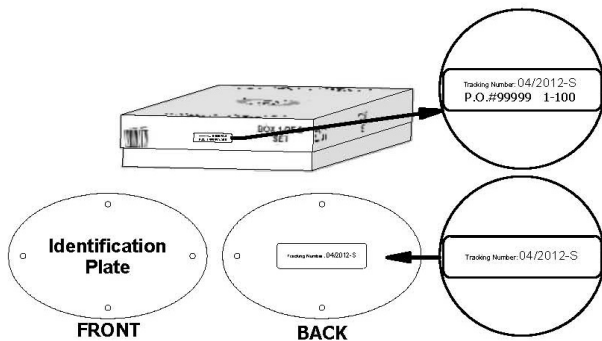
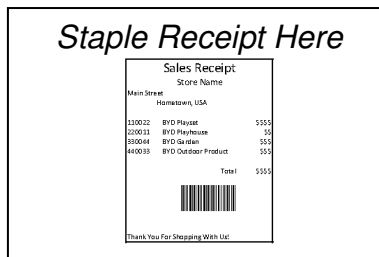
Please follow all recommendations below. **Failure to do so may result in the warranty being void and/or safety violations that could result in serious injury.** This manual contains helpful information concerning Assembly Preparation, Installation Procedure, and Required Maintenance. Always keep the safety of your children in mind as your play structure is being built and as your children play on the set. Before your children play on the set please review the Operation Instructions with them to help ensure their safety.

PLEASE RETAIN THESE INSTRUCTIONS FOR FUTURE REFERENCE. KEEP THEM IN A SAFE PLACE WHERE YOU CAN REFER TO THEM AS NEEDED. IN ORDER TO PROVIDE YOU WITH THE MOST EFFICIENT SERVICE, IT IS REQUIRED THAT YOU PROVIDE US WITH THE PART NUMBERS WHEN ORDERING PARTS.

For Your Records:

Please take time and fill out the information below. This information will be needed for warranty issues.

Where Purchased: _____
 Date of Purchase: _____
 Installation Date: _____
 Installed by: _____
 Tracking Number: _____



OR



← Tracking Number

Vertical ID Plate

Tracking Number Reference Label

Tracking ID number on the carton and back of the ID plate or vertical ID plate are included for tracking purposes associated with warranty claims.

 **WARNING**

CONTINUOUS ADULT SUPERVISION REQUIRED!

STRANGULATION HAZARDS
Never allow children to play with ropes, clotheslines, pet leashes, cables, chains or cord-like items when using this play-set or to attach these items to play-set.

Never allow children to wear loose fitting clothing, ponchos, hoods, scarves, capes, necklaces, or items with draw-strings, cords or ties when using this play-set.

Never allow children to wear bike or sport helmets when using this play-set.
Failure to prohibit these items increases the risk of serious injury and death to children from entanglement and strangulation.

SERIOUS HEAD INJURY HAZARD
Maintain shock absorbing material under and around play-set as recommended in the Installation & Operating Instructions. Installation over concrete, asphalt, dirt, grass, carpet and other hard surfaces creates a risk of serious injury or death from falls to the ground.

For children 3 to 10 years of age. Maximum number of users, Installation & Operating Instructions; other information is available at:
www.backyarddiscovery.com
Contact us at: Backyard Discovery
3001 North Rouse, Pittsburg, KS 66762
1-800-856-4445

Tracking
Number:

Owner's Manual Play Set

Please refer to the Assembly section of the Assembly Manual for Maximum Fall Height.

Positioning Your Playcenter

1. The Playcenter is designed to be installed on a level surface **by an Adult with an Adult helper**. Place in a flat area of your yard to minimize ground preparation.
2. Choose a level location for the equipment. This can reduce the likelihood of the play set tipping over and loose-fill surfacing material washing away during heavy rains.
3. Place the equipment not less than **6 ft (1.8 m)** from any structure or obstruction such as a fence, garage, house, overhanging branches, laundry lines, or electrical wires.
4. Provide enough room so that the children can use the equipment safely. For example, for structures with multiple play activities, a slide should not exit in front of a swing.
5. It is a good idea to place your Playcenter in an area that is convenient for adults to watch children at play.
6. Create a site free of obstacles that could cause injuries – such as low overhanging tree branches, overhead wires, tree stumps and/or roots, large rocks, bricks and concrete. Additional suggestions in the Suggested Playground Surfacing Section.
7. Do not build your playset on top of surfacing material.
8. Locate bare metal platforms and slides out of direct sunlight to reduce the likelihood of serious burns. A slide that faces north will receive the least direct sunlight.
9. Separate active and quiet activities from each other. For example, locate sandboxes away from swings or use a guardrail or barrier to separate the sandbox from the movement of the swings.

Suggested Playground Surfacing

- ❑ Do not install home playground equipment over concrete, asphalt, packed earth, grass, carpet, or any other hard surface. A fall onto a hard surface can result in serious injury to the equipment user.
- ❑ Do not install loose fill surfacing over hard surfaces such as concrete or asphalt.
- ❑ Shredded bark mulch, wood chips, fine sand and fine gravel, are added as shock absorbing materials after assembly. If used properly these materials can absorb some of the impact of a child's fall.
- ❑ All surface material should extend a minimum of 6 feet in all directions around the play area.
- ❑ Do not apply playground surfacing until after the unit is completely constructed. Playset should not be built on top of surfacing.
- ❑ Use containment, such as digging out around the perimeter and/or lining the perimeter with landscape edging.
- ❑ Installations of rubber tiles or poured-in-place surfaces (other than loose-fill materials) generally require a professional and are not "do-it-yourself" projects.
- ❑ Shall use Playground Surfacing Materials (other than loose-fill material) which comply with the safety standard ASTM F1292 Standard Specification of Impact Attenuation of Surfacing Materials within the Use Zone of Playground Equipment.

Owner's Manual Play Set

The following chart explains the fall height in feet from which a life threatening head injury would not be expected

Critical Heights in feet (m) of Tested Materials

Material	Uncompressed Depth			Compressed Depth
	6" (152mm)	9" (228mm)	12" (304mm)	to 9" (228mm)
Wood Chips	7' (2.13m)	10' (3.05m)	11' (3.35m)	10' (3.05m)
Double-Shredded bark mulch	6' (1.83m)	10' (3.05m)	11' (3.35m)	7' (2.13m)
Engineered Wood Fibers	6' (1.83m)	7' (2.13m)	>12' (3.66m)	6' (1.83m)
Fine Sand	5' (1.52m)	5' (1.52m)	9' (2.74m)	5' (1.52m)
Coarse Sand	5' (1.52m)	5' (1.52m)	6' (1.83m)	4' (1.22m)
Fine Gravel	5' (1.52m)	7' (2.13m)	10' (3.05m)	6' (1.83m)
Medium Gravel	5' (1.52m)	5' (1.52m)	6' (1.83m)	5' (1.52m)
Shredded Tires*	10-12' (3.0-3.6m)	N/A	N/A	N/A

*This data is from tests conducted by independent testing laboratories on a 6-inch depth of uncompressed shredded tire samples produced by four manufacturers. The tests reported critical heights, which varied from 10 feet to greater than 12 feet. It is recommended that persons seeking to install shredded tires as a protective surface request test data from the supplier showing the critical height of the material when it was tested in accordance with ASTM F1292.

Operating Instructions:



NOTE: Your children's safety is our #1 concern. Observing the following statements and warnings reduces the likelihood of serious or fatal injury. Please review these safety rules regularly with your children.

1. This Playcenter is designed for specific number of occupants whose combined weight **should not exceed** a designated weight on the elevated floor or the swing area, the total Unit capacity is outlined in the Basic Setup Dimensions section of instruction manual. The maximum fall height and recommended play area is also available in the Basic Setup Dimensions section of the manual for the specific unit.
2. On-site adult supervision is **required**.
3. Instruct children **not** to walk close to, in front of, behind, or between moving swings or other moving playground equipment.
4. Instruct children to sit in and **never** stand on swings
5. Instruct children **not** to twist the chains and ropes and not to loop them over the top support bar, since this may reduce the strength of the chain or rope.
6. Instruct children **not** to jump from swings or other playground equipment in motion.
7. Instruct children to **not to push** empty seats. The seat may hit them and cause serious injury.
8. Instruct and teach children to sit in the center of the swings with their full weight on the seats.
9. Instruct children **not** to use the equipment in a manner other than intended.
10. Instruct children to **always** go down slides feet first. Never slide head first.
11. Instruct children to **look** before they slide to make sure no one is at the bottom.
12. Instruct children to **never** run up a slide, as this increases their chances of falling.
13. The parents should **dress children appropriately**. (Examples would include the use of well-fitting shoes and the avoidance of ponchos, scarfs, and other loose-fitting clothing that is potentially hazardous while using equipment).
14. Instruct children **not** to climb when the equipment is wet.
15. Instruct children to **never** jump from a fort deck. They should always use the ladder, ramp or slide.
16. Instruct children to **never** crawl or walk across the top of monkey bars.
17. Instruct children to **never** crawl on top of a fort roof.

Owner's Manual Play Set

18. Verify that any suspended climbing ropes, chain, or cable are secured at both ends and that they cannot be looped back on it.
19. Instruct children **not** to attach items to the playground equipment that are not specifically designed for use with the equipment, such as, but not limited to, jump ropes, clothesline, pet leashes, cables and chain as they may cause a strangulation hazard.
20. Instruct children to **never** wrap their legs around swing chain.
21. Instruct children to **never** slide down the swing chain.
22. Instruct children to remove their bike or other sports helmet before playing on playground equipment.
23. **Never** add extra length to chain or rope. The chains or ropes provided are the maximum length designed for the swinging elements.

Maintenance Instructions:

At the beginning of each play season:

- Tighten all hardware.
- Lubricate all metallic moving parts per manufacturer's instructions.
- Check all protective coverings on bolts, pipes, edges, and corners. Replace if they are loose, cracked, or missing.
- Check all moving parts including swing seats, ropes, cables, and chains for wear, rust, or other deterioration. Replace as needed.
- Check metal parts for rust. If found, sand and repaint using a non Lead-based paint meeting the requirements of 16 CFR 1303.
- Check all wood members for deterioration and splinters. Sand down splinters and replace deteriorating wood members.
- Reinstall any plastic parts, such as swing seats or any other items that were removed for the cold season.
- Rake and check depth of loose fill protective surfacing materials to prevent compaction and to maintain appropriate depth. Replace as necessary.

Twice a month during play season:

- Tighten all hardware.
- Check all protective coverings on bolts, pipes, edges, & corners. Replace if they are loose, cracked, or missing.
- Rake and check depth of loose fill protective surfacing materials to prevent compaction and to maintain appropriate depth. Replace as necessary.
- Once a month during play season.
- Lubricate all metallic moving parts per manufacturer's instructions.
- Check all moving parts including swing seats, ropes, cables, and chains for wear, rust, or other deterioration. Replace as needed.

At the end of each play season or when the temperature drops below 32° F:

- Remove plastic swing seats and other items as specified by the manufacturer and take indoors or do not use.
- Rake and check depth of loose fill protective surfacing materials to prevent compaction and to maintain appropriate depth. Replace as necessary.

Owners shall be responsible for maintaining the legibility of the warning labels.

Owner's Manual Play Set

Additional Maintenance:

- Check the swing beam and hardware every two weeks due to wood expansion and contraction. It is particularly important that this procedure be followed at the beginning of each season.
- Inspect wood parts monthly. The grain of the wood sometimes will lift in the dry season causing splinters to appear. Light sand may be necessary to maintain a safe playing environment. Treat your playset with stain regularly, to help prevent severe checking/splitting and other weather damage.
- A waterbourne transparent stain has been applied to your playset. This is done for color only. Once or twice a year, depending on your climate conditions, you must apply some type of protection (sealant) to the wood of your unit. Prior to the application of sealant, lightly sand any "rough" spots on your playset. **Please note this is a requirement of your warranty.**
- Assembling and maintaining the playset on a level location is very important. As your children play, your playset will slowly dig its way into the soil, and it is very important that it settles evenly. Make sure the playset is level and true one each year or at the beginning of each play season.

Disposal Instructions:

When the Playcenter use is no longer desired, it should be disassembled and disposed of in such a way that no unreasonable hazards will exist at the time the unit is discarded.

Third Party Assembly:

Customer may, in their sole discretion, elect to use a third party person or service to assemble this product. Backyard Discovery assumes no responsibility or liability for any charge incurred by the Customer for any assembly services'.

Please see our warranty for more information about damaged and missing part replacement coverage. Backyard Discovery will not reimburse Customer for the price of parts purchased.

APPENDIX A

Information on Playground Surfacing Materials:

The following information is from the **United States Consumer Product Safety Commission's Information Sheet for playground surfacing material**; also see the following website for additional information: www.cpsc.gov/cpscpub/pubs/323.html.

X3. SECTION 4 OF THE CONSUMER PRODUCT SAFETY COMMISSION'S OUTDOOR HOME PLAYGROUND SAFETY HANDBOOK⁹

X3.1 *Select Protective Surfacing*—One of the most important things you can do to reduce the likelihood of serious head injuries is to install shock-absorbing protective surfacing under and around your play equipment. The protective surfacing should be applied to a depth that is suitable for the equipment height in accordance with ASTM Specification F 1292. There are different types of surfacing to choose from; whichever product you select, follow these guidelines:

X3.1.1 Loose-Fill Materials:

X3.1.1.1 Maintain a minimum depth of 9 inches of loose-fill materials such as wood mulch/chips, engineered wood fiber (EWF), or shredded/recycled rubber mulch for equipment up to 8 feet high; and 9 inches of sand or pea gravel for equipment up to 5 feet high. NOTE: An initial fill level of 12 inches will compress to about a 9-inch depth of surfacing overtime. The surfacing will also compact, displace, and settle, and should be periodically refilled to maintain at least a 9-inch depth.

X3.1.2 Use a minimum of 6 inches of protective surfacing for play equipment less than 4 feet in height. If maintained properly, this should be adequate. (At depths less than 6 inches, the protective material is too easily displaced or compacted.) NOTE: Do not install home playground equipment over concrete, asphalt, or any other hard surface. A fall onto a hard surface can result in serious injury to the equipment user. Grass and dirt are not considered protective surfacing because wear and environmental factors can reduce their shock absorbing effectiveness. Carpeting and thin mats are generally not adequate protective surfacing. Ground level equipment such as a sandbox, activity wall, playhouse or other equipment that has no elevated play surface – does not need any protective surfacing.

X3.1.3 Use containment, such as digging out around the perimeter and/or lining the perimeter with landscape edging. Don't forget to account for water drainage.

X3.1.3.1 Check and maintain the depth of the loose-fill surfacing material. To maintain the right amount of loose-fill materials, mark the correct level on play equipment support posts. That way you can easily see when to replenish and/or redistribute the surfacing.

X3.1.3.2 **Do not** install loose-fill surfacing over hard surfaces such as concrete or asphalt.

X3.1.4 Poured-In-Place Surfaces or Pre-Manufactured Rubber Tiles — You may be interested in using surfacing other than loose-fill materials – like rubber tiles or poured-in-place surfaces.

X3.1.4.1 Installations of these surfaces generally require a professional and are not “do-it-yourself” projects.

X3.1.4.2 Review surface specification before purchasing this type of surfacing. Ask the installer/manufacturer for a report showing that the product has been tested to the following safety standard: ASTM F 1292 Standard Specification for Impact Attenuation of Surfacing Materials within the Use Zone of Playground Equipment. This report should show the specific height for which the surface is intended to protect against serious head injury. This height should be equal to or greater than the fall height – vertical distance between a designated play surface (elevated surface for standing, sitting, or climbing) and the protective surfacing below – of your play equipment.

X3.1.4.3 Check the protective surfacing frequently for wear.

X3.1.5 Placement — Proper placement and maintenance of protective surfacing is essential. Be sure to:

X3.1.5.1 Extend surfacing at least 6 feet from the equipment in all directions.

X3.1.5.2 For to-fro swings, extend protective surfacing in front of and behind the swing to a distance equal to twice the height of the top bar from which the swing is suspended.

⁹ This information has been extracted from the CPSC publications “Playground Surfacing — Technical Information Guide” and “Handbook for Public Playground Safety.” Copies of these reports can be obtained by sending a postcard to the: Office of Public Affairs, U.S. Consumer Product Safety Commission, Washington, D.C., 20207 or call the toll-free hotline: 1-800-638-2772.

The American Society for Testing and Materials takes no position respecting the validity of any parent right asserted in connection with any item mentioned in this standard. Users of this standard are expressly advised that determination of the validity of any such parent rights, and the risk of infringement of such rights, are entirely their own responsibility.

The standard is subject to revision at any time by the responsible technical committee and must be reviewed every five years and if not revised, either approved or withdrawn. Your comments are invited either for revision of this standard or for additional standards and should be addressed to ASTM Headquarters. Your comments will receive careful consideration at a meeting of the responsible technical committee, which you may attend. If you feel that your comments have not received a fair hearing you should make your views known to the ASTM Committee on Standards. 100 Barr Harbor Drive, West Conshohocken, PA 19428.

Play Set Assembly Manual FAQs:

1. Does the area for the playset need to be level?

Yes. Backyard Discovery recommends the playset be positioned on a flat level area for maximum safety and durability. The stakes provided should be used to secure it firmly to the ground.

2. What size area is recommended for the playset?

Backyard Discovery recommends at least a 6' (six foot) perimeter around and above the playset for maximum safety.

3. What age range is appropriate for the playsets?

Backyard Discovery playsets are recommended for children ages 3 – 10 years.

4. Is the wood treated with chemicals?

Backyard Discovery uses 100% Chinese Cedar wood which is naturally bug resistant, decay and rot resistant. To help ensure your child's safety, our wood is completely chemical free and we do not use pressure-treated wood. The stain we use is a top coat using a water-based product that is for appearance only.

5. How often should the playset be stained?

Backyard Discovery recommends the playset be stained once each year. A water or oil based stain can be used at the customer's discretion.

6. Why does it seem that my swing set is developing cracks?

Wood is a natural material; no two pieces are exactly alike. Each piece has its own characteristics and personality and reacts differently to climate changes. When any wood product is exposed to the elements, it develops "wood checks". A check is the radial separation of the wood fibers running with the grain of the wood. These are caused by the varying temperature and moisture conditions. A check is not a crack – it does not affect the strength or durability of the wood or structural integrity of the play set.

7. Do Backyard Discovery playsets come with a warranty?

Yes. All Backyard Discovery products carry a 1-year replacement warranty on all parts for manufacturer's defect. Our wood carries a 5 year warranty on rot and decay as well. Please see warranty details for more information.

8. What is the best way to get started assembling the playset?

Backyard Discovery recommends taking all the parts out of the boxes and arranging them by part number before you begin any assembly. This will not only allow faster assembly, but will also identify any parts that may be missing or damaged so they can be replaced before assembly. If parts are missing or need replacement, go to www.swingsetonline.com/support.aspx and follow the prompts to order them. Next, read the assembly manual and get the tools ready for the job as recommended in the manual. If the assembly manual is lost or misplaced a new one can be printed from Backyard Discovery's website: www.swingsetonline.com.

9. The playset seems to rock or sway too much. What's wrong?

Rocking is caused by uneven ground or obstructions such as rocks, roots, etc. under the ground rails. These should be removed and the ground underneath re-leveled to prevent rocking. Also ensure the playset is securely staked to the ground using the stakes provided.

10. The 2"x4" boards do not measure 2"x 4". Why not?

In the U.S. it is common practice to describe lumber dimensions using the rough cut sizes from the sawmill and not the finished dimensions. Retailers, home stores, etc. all use this accepted practice for describing lumber dimensions. However, Backyard Discovery playsets are designed and constructed using the actual dimensions so everything fits properly and remains so during the life of the playset.

11. The end beam is not straight up and down. Why not?

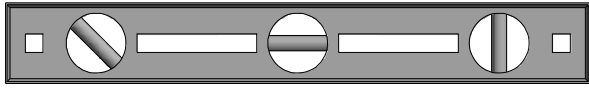
This is normal. Backyard Discovery designs playsets this way to ensure the strongest structure possible. The slight angle adds strength and reduces rocking and twisting.

12. The S-hooks for the swings won't close. What is wrong?

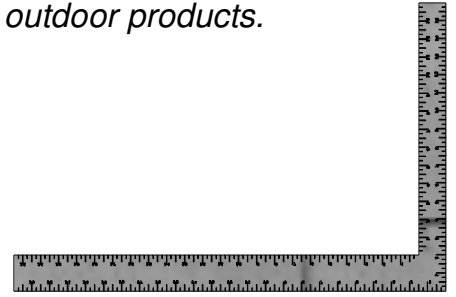
Backyard Discovery recommends placing them on a hard surface such as concrete (don't do this on anything that will dent such as metal or finished wood or glass which will break!). It will take quite a few strokes, but the hooks will close.

Tools Required for Installation:

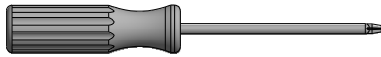
(These are the tools that are generally required for assembly of our outdoor products. These tools are not included with the outdoor product purchase.)



(Level 24")



(Square)



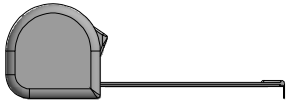
(Phillips Screw Driver)



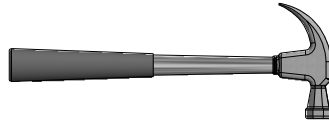
(Open End Wrenches 1/2", & 9/16")



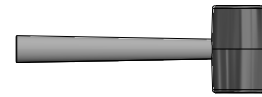
(Drill Attachments: Phillips Head)



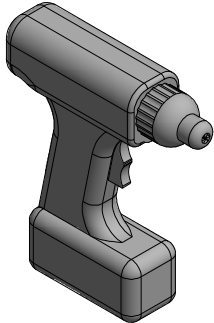
(Tape Measure)



(Claw Hammer)



(Rubber Mallet - Optional)



(Cordless Drill or Electric Drill)



(1/8", 3/16", 3/8", & 7/16" Drill Bits)



(3/8" Drive Ratchet, 1/2" & 9/16" STD Sockets 1/2" & 9/16" Deep Sockets)



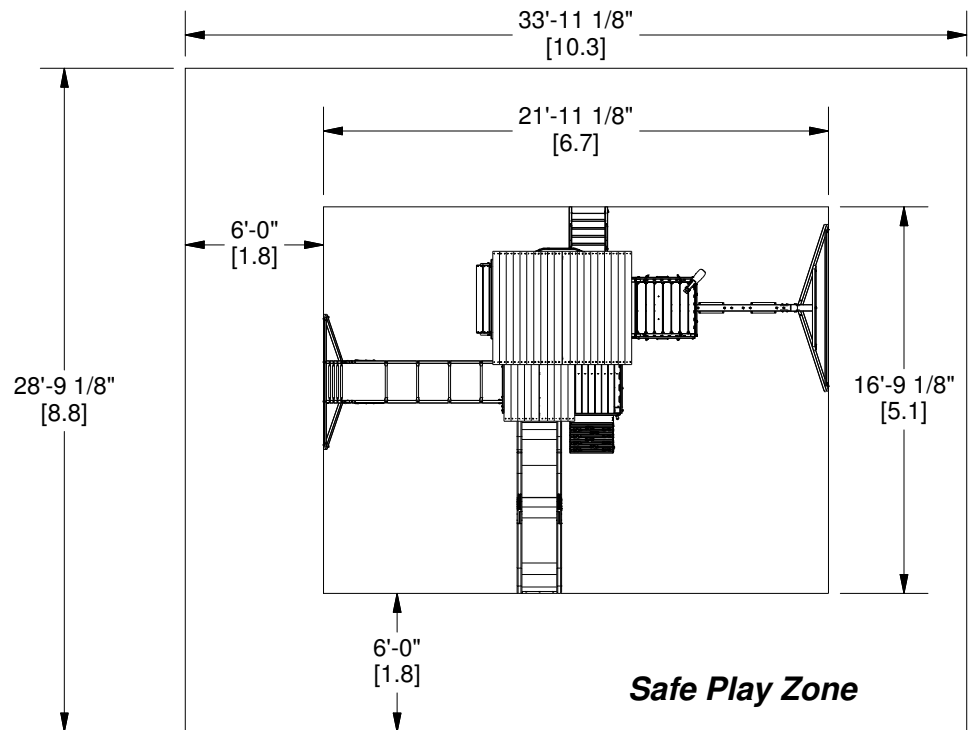
(An Adult w/ an Adult Helper)



(Ladder)

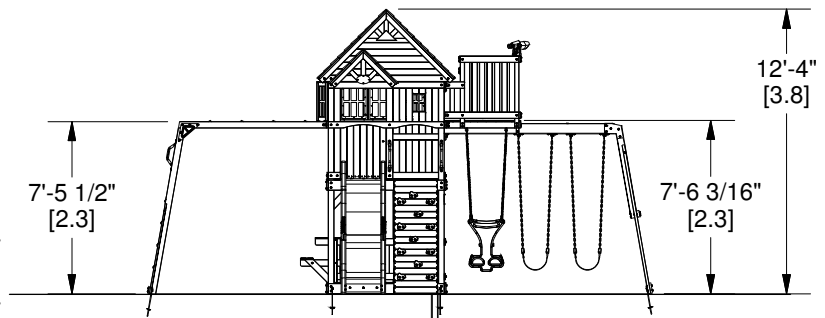
Basic Setup Dimensions

Place the set on level ground, not less than 6 ft [2 m] from any structure or obstruction such as a fence, garage, house, overhanging branches, laundry lines, or electrical wires.



General Information:

Your set has been designed and engineered for children only and for residential use only. A maximum of 150 lbs. per child is recommended for play activities designed for individual use. A maximum of 120 lbs. per child is recommended for play activities designed for multiple child use. A maximum of 9 children is recommended for this swing set.



Safe play height: 18'-4" [5.6 m]
Maximum fall height: 7'-6 3/16" [2.3 m]

Important Assembly Notes

- 1) While assembling unit, take time before and after each phase to make sure fort is level. If fort is not level, assembly will be difficult and improper assembly may result. Extra care must be taken to insure the fort is square.
- 2) Tighten bolts securely, tighten nuts on bolts flush to the tube or member, and place caps over exposed bolts snug to the nut.
- 3) Pay close attention to the ITEMS NEEDED FOR EACH PHASE. They can be a valuable aid when sorting your wood and hardware. Assembly will be made easier if items are sorted by phase.
- 4) Pay close attention to make sure you are using the correct hardware in the correct phases. Using incorrect hardware may result in improper assembly.
- 5) Whenever a T-nut is used, follow these directions. Place T-nut in pre-drilled hole. Tap in with hammer. Place bolt with washers in the opposite side. Hand tighten to make sure the bolt is in the T-nut. DO NOT over tighten.
- 6) Read the steps of each phase thoroughly. The written steps may include important information not shown in the illustrations.

Parts Identification

Wood Components

(NOT TO SCALE)



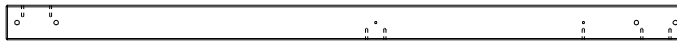
(1) **A50 - SWING BEAM - W4L04660**
3 3/8"x5 1/4"x89 1/2" (86x134x2274)



(1) **B1 - TOWER LEG - W4L04562**
3"x3"x89 1/2" (76x76x2274)



(1) **B2 - TOWER LEG - W4L04561**
3"x3"x89 1/2" (76x76x2274)



(1) **B3 - TOWER LEG - W4L04564**
3"x3"x59" (76x76x1500)



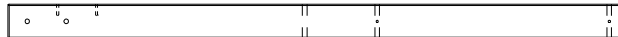
(1) **B4 - TOWER LEG - W4L04568**
3"x3"x59" (76x76x1500)



(1) **B5 - BACK LEFT CLUB HOUSE CORNER - W4L04612**
3"x3"x53 7/8" (76x76x1370)



(1) **B6 - FRONT LEFT CLUB HOUSE CORNER - W4L04615**
3"x3"x53 7/8" (76x76x1370)



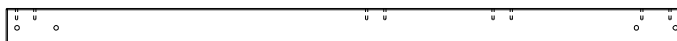
(1) **B7 - FRONT RIGHT CLUB HOUSE CORNER - W4L04617**
3"x3"x53 7/8" (76x76x1370)



(1) **B8 - BACK RIGHT CLUB HOUSE CORNER - W4L04618**
3"x3"x53 7/8" (76x76x1370)



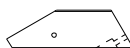
(1) **E1 - TOWER LEG - W4L04563**
1 3/8"x3 3/8"x59" (36x86x1500)



(1) **E2 - TOWER LEG - W4L04567**
1 3/8"x3 3/8"x59" (36x86x1500)



(2) **E3 - CROWS NEST FLOOR RAIL - W4L11785**
1 3/8"x3 3/8"x38" (36x86x964)



(2) **E4 - CROWS NEST DECK BRACE - W4L04662**
1 3/8"x3 3/8"x11" (36x86x280)



(8) **E5 - DECK BRACE - W4L11778**
1 7/16"x3 3/8"x20" (36x86x508)

Parts Identification

Wood Components

(NOT TO SCALE)



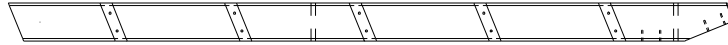
- (1) **E50 - END SUPPORT - W100949**
1 3/8"x3 3/8"x44 1/8" (36x86x1120)



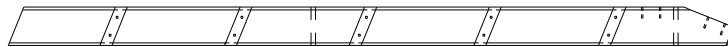
- (2) **E51 - ANGLE BRACE - W100948**
1 3/8"x3 3/8"x88 3/4" (36x86x2254)



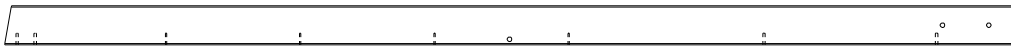
- (2) **E74 - MONKEY BAR RAIL - W102918**
1 3/8"x3 3/8"x77 1/8" (36x86x1959)



- (1) **E77 - LEFT UPRIGHT - W4L11769**
1 3/8"x3 3/8"x64 3/8" (36x86x1634)



- (1) **E78 - RIGHT UPRIGHT - W4L11768**
1 3/8"x3 3/8"x64 3/8" (36x86x1634)



- (2) **E79 - MONKEY BAR UPRIGHT - W100995**
1 3/8"x3 3/8"x88 1/8" (36x86x2237)



- (1) **F1 - TELESCOPE MOUNTING BLOCK - W4L04674**
1 3/8"x2 3/8"x3" (36x60x76)



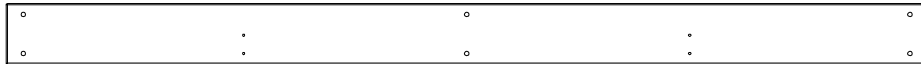
- (2) **F3 - CROWS NEST WALL SUPPORT - W4L11779**
1 3/8"x2 3/8"x37 1/2" (36x60x952)



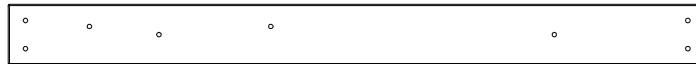
- (2) **F2 - CROWS NEST WALL SUPPORT - W4L11780**
1 3/8"x2 3/8"x37 1/2" (36x60x952)



- (1) **G1 - TOP FLOOR RAIL - W4L04566**
1"x5 1/4"x80" (24x134x2032)



- (1) **G2 - TOP FLOOR RAIL - W4L04569**
1"x5 1/4"x80" (24x134x2032)



- (1) **G3 - FLOOR RAIL - W4L04571**
1"x5 1/4"x60 1/2" (24x134x1537)



- (1) **G4 - FLOOR RAIL - W4L04675**
1"x5 1/4"x60 1/2" (24x134x1537)



- (4) **G5 - BAY WINDOW HEADER - W4L04659**
1"x5 1/4"x45 1/4" (24x134x1150)

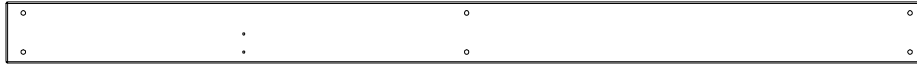
Parts Identification

Wood Components

(NOT TO SCALE)



- (1) **G6 - FLOOR RAIL - W4L11777**
1"x5 1/4"x60 1/2" (24x134x1537)



- (2) **G7 - BOTTOM FLOOR RAIL - W4L11775**
1"x5 1/4"x80" (24x134x2032)



- (1) **G50 - GROUND BOARD - W100947**
1"x5 1/4"x86 3/4" (24x134x2202)



- (1) **H1 - WALL RAIL - W4L04620**
1"x3 3/8"x80" (24x86x2032)



- (1) **H2 - WALL RAIL - W4L04622**
1"x3 3/8"x80" (24x86x2032)



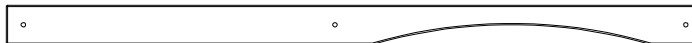
- (1) **H3 - PICNIC TABLE RAIL - W4L04578**
1"x3 3/8"x67 1/4" (24x86x1708)



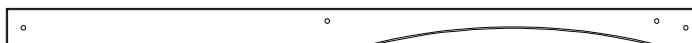
- (2) **H4 - ROOF SUPPORT RAIL - W4L04623**
1"x3 3/8"x67 1/4" (24x86x1709)



- (1) **H5 - FLOOR RAIL - W4L04608**
1"x3 3/8"x60 1/2" (24x86x1537)



- (1) **H6 - BACK CLUB HOUSE RAIL - W4L04621**
1"x3 3/8"x60 1/2" (24x86x1537)



- (1) **H7 - FRONT CLUB HOUSE WALL RAIL - W4L04625**
1"x3 3/8"x60 1/2" (24x86x1537)



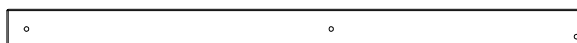
- (1) **H8 - CLUB HOUSE LEG - W4L04637**
1"x3 3/8"x50 1/2" (24x86x1284)



- (2) **H9 - CLUB HOUSE WALL BOARD - W4L11784**
1"x3 3/8"x50 1/2" (24x86x1284)



- (1) **H10 - PORCH LEG - W4L04683**
1"x3 3/8"x50 1/2" (24x86x1282)



- (1) **H11 - PORCH LEG - W4L04610**
1"x3 3/8"x50 1/2" (24x86x1282)

Parts Identification

Wood Components

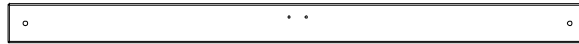
(NOT TO SCALE)



- (4) H12 - ROOF RAFTER - W4L04640
1"x3 3/8"x50 3/8" (24x86x1278)



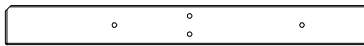
- (1) H13 - CLUB HOUSE WALL RAIL - W4L04624
1"x3 3/8"x50 1/4" (24x86x1277)



- (1) H14 - SWING BEAM MOUNT - W4L04628
1"x3 3/8"x50 1/4" (24x86x1277)



- (4) H15 - PICNIC TABLE SEAT - W4L04600
1"x3 3/8"x35 3/8" (24x86x897)



- (1) H16 - PICNIC TABLE SEAT RAIL - W4L04597
1"x3 3/8"x32" (24x86x812)



- (1) H17 - PICNIC TABLE SEAT RAIL - W4L04599
1"x3 3/8"x32" (24x86x812)



- (1) H18 - CLUB HOUSE WALL RAIL - W4L04616
1"x3 3/8"x29 7/8" (24x86x758)



- (1) H19 - CROWS NEST FLOOR RAIL - W4L04663
1"x3 3/8"x27" (24x86x686)



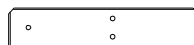
- (4) H20 - PORCH ROOF RAFTER - W4L04655
1"x3 3/8"x24 1/2" (24x86x622)



- (1) H21 - CROWS NEST FLOOR SUPPORT - W4L04665
1"x3 3/8"x24 1/8" (24x86x614)



- (2) H23 - PICNIC TABLE BRACE - W4L04598
1"x3 3/8"x17 1/2" (24x86x444)



- (1) H24 - PICNIC TABLE TOP SUPPORT - W4L04601
1"x3 3/8"x16 1/2" (24x86x418)



- (2) H25 - TOP FLOOR SUPPORT - W4L04606
1"x3 3/8"x3" (24x86x76)



- (3) H26 - FLOOR JOIST - W4L04573
1"x3 3/8"x60 1/2" (24x86x1537)

Parts Identification

Wood Components

(NOT TO SCALE)



- (1) **H27 - PICNIC TABLE SUPPORT - W4L04574**
1"x3 3/8"x28 5/8" (24x86x728)



- (1) **H28 - FRONT WALL RAIL - W4L11774**
1"x3 3/8"x60 1/2" (24x86x1537)



- (2) **H29 - CROWS NEST WALL RAIL - W4L11783**
1"x3 3/8"x30 5/8" (24x86x778)



- (2) **H30 - CROWS NEST WALL RAIL - W4L11782**
1"x3 3/8"x29 7/8" (24x86x758)



- (2) **H31 - CROWS NEST WALL RAIL - W4L11781**
1"x3 3/8"x38 7/8" (24x86x988)



- (2) **H72 - ROCKWALL RAIL - W4L04677**
1"x3 3/8"x61 3/4" (24x86x1570)



- (5) **H76 - LADDER RUNG - W4L11770**
1"x3 3/8"x18 1/8" (24x86x460)



- (1) **H77 - ATTACHMENT BOARD - W4L11766**
1"x3 3/8"x20 1/8" (24x86x512)



- (2) **H81 - MONKEY BAR BRACE - W100993**
1"x3 3/8"x53 1/4" (24x86x1352)



- (1) **H82 - MONKEY BAR GROUND BOARD - W100994**
1"x3 3/8"x70 3/8" (24x86x1786)



- (1) **K2 - FLOOR RAIL - W4L04570**
5/8"x5 1/4"x60 1/2" (16x134x1537)



- (1) **K3 - FLOOR RAIL - W4L04572**
5/8"x5 1/4"x60 1/2" (16x134x1537)



- (1) **K5 - CLUB HOUSE WALL RAIL - W4L04626**
5/8"x5 1/4"x50 1/4" (16x134x1277)



- (2) **K6 - TRIANGLE SUNBURST - W4L04827**
5/8"x5 1/4"x10 3/8" (16x134x265)



- (9) **L1 - CROWS NEST FLOOR BOARD - W4L04664**
5/8"x4 3/8"x27" (16x112x686)



- (2) **L2 - SAND BOX SEAT - W4L11776**
5/8"x4 3/8"x24 1/8" (16x112x610)

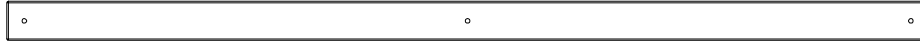
Parts Identification

Wood Components

(NOT TO SCALE)



- (1) **M1 - TOP WALL RAIL - W4L04619**
5/8"x3 3/8"x80" (16x86x2032)



- (2) **M2 - BOTTOM WALL RAIL - W4L04596**
5/8"x3 3/8"x80" (16x86x2032)



- (1) **M3 - BOTTOM WALL RAIL - W4L04579**
5/8"x3 3/8"x60 1/2" (16x86x1537)



- (2) **M4 - CROWS NEST WALL RAIL - W4L11773**
5/8"x3 3/8"x29 7/8" (16x86x758)



- (2) **M5 - GABLE BOARD - W4L04641**
5/8"x3 3/8"x59 1/2" (16x86x1510)



- (1) **M6 - CLUB HOUSE WALL BOARD - W4L04635**
5/8"x3 3/8"x53 7/8" (16x86x1370)



- (2) **M7 - GABLE BOARD - W4L04642**
5/8"x3 3/8"x52 5/8" (16x86x1338)



- (7) **M8 - CLUB HOUSE WALL BOARD - W4L04630**
5/8"x3 3/8"x50 1/2" (16x86x1284)



- (2) **M9 - CLUB HOUSE WALL BOARD - W4L04631**
5/8"x3"x50 1/2" (16x76x1284)



- (1) **M10 - CLUB HOUSE WALL RAIL - W4L04614**
5/8"x3 3/8"x50 1/4" (16x86x1277)



- (1) **M11 - SOFFIT CAP - W4L04653**
5/8"x3 3/8"x50 1/4" (16x86x1277)



- (1) **M12 - GABLE BOARD - W4L04650**
5/8"x3 3/8"x45 7/8" (16x86x1166)



- (4) **M13 - PICNIC TABLE TOP - W4L04602**
5/8"x3 3/8"x41 1/4" (16x86x1049)



- (1) **M14 - GABLE BOARD - W4L04651**
5/8"x3 3/8"x39 1/8" (16x86x994)



- (1) **M16 - CENTER PICNIC TABLE TOP - W4L04603**
5/8"x3"x38 1/4" (16x76x973)

Parts Identification

Wood Components

(NOT TO SCALE)



- (2) **M17 - FRONT WINDOW WALL BOARD - W4L04639**
5/8"x3 3/8"x35" (16x86x889)



- (1) **M18 - GABLE BOARD - W4L04652**
5/8"x3 3/8"x32 3/8" (16x86x822)



- (1) **M19 - FRONT PORCH ROOF SUPPORT - W4L04658**
5/8"x3 3/8"x30 5/8" (16x86x779)



- (3) **M21 - CLUB HOUSE WALL RAIL - W4L04613**
5/8"x3 3/8"x30 1/4" (16x86x768)



- (4) **M22 - CLUB HOUSE WALL BOARD - W4L04633**
5/8"x3 3/8"x29 7/8" (16x86x758)



- (2) **M23 - CLUB HOUSE WALL BOARD - W4L04634**
5/8"x3 1/8"x29 7/8" (16x80x758)



- (23) **M24 - WALL BOARD - W4L04632**
5/8"x3 3/8"x29 7/8" (16x86x758)



- (2) **M26 - WALL BOARD - W4L04636**
5/8"x3 3/8"x26 1/8" (16x86x664)



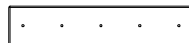
- (18) **M27 - BOTTOM WALL BOARD - W4L04580**
5/8"x3 3/8"x21 3/8" (16x86x544)



- (2) **M28 - GABLE WINDOW BOARD - W4L04647**
5/8"x3 3/8"x19 1/2" (16x86x496)



- (2) **M29 - GABLE WINDOW BOARD - W4L04643**
5/8"x3 3/8"x16 1/8" (16x86x410)



- (1) **M30 - PICNIC TABLE TOP CLEAT - W4L04604**
5/8"x3 3/8"x16" (16x86x406)



- (2) **M31 - GABLE WINDOW BOARD - W4L04644**
5/8"x3 3/8"x12 3/4" (16x86x324)

Parts Identification

Wood Components

(NOT TO SCALE)



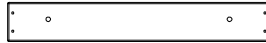
- (2) **M32 - CROWS NEST WALL RAIL - W4L04671**
5/8"x3 3/8"x10" (16x86x254)



- (2) **M33 - FRONT WINDOW WALL BOARD - W4L04638**
5/8"x3 3/8"x6 3/8" (16x86x162)



- (1) **M34 - WALL RAIL - W4L04611**
5/8"x3 3/8"x6 3/8" (16x86x162)



- (1) **M61 - ATTACHMENT BOARD - W4L04681**
5/8"x3 3/8"x22 7/8" (16x86x580)



- (1) **M70 - SLIDE BED SUPPORT - W100935**
5/8"x3 3/8"x19 7/8" (16x86x505)



- (1) **M73 - REAR SUPPORT - W4L11767**
5/8"x3 3/8"x20 1/8" (16x86x512)



- (10) **M74 - ROCK WALL BOARD - W4L04678**
5/8"x3 3/8"x22 7/8" (16x86x580)



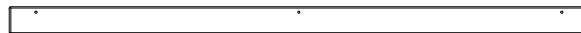
- (4) **M75 - ROCK WALL BOARD - W4L04829**
5/8"x3 3/8"x22 7/8" (16x86x580)



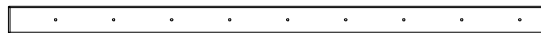
- (4) **M76 - ROCK WALL BOARD - W4L04830**
5/8"x3 3/8"x22 7/8" (16x86x580)



- (2) **N1 - CLUB HOUSE WALL BOARD - W4L04629**
5/8"x2 3/8"x50 1/2" (16x60x1284)



- (1) **N2 - SOFFIT CAP - W4L04654**
5/8"x2 3/8"x50 1/4" (16x60x1277)



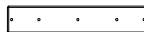
- (2) **N3 - ROOF SUPPORT - W103535**
5/8"x2 3/8"x47" (16x60x1193)



- (2) **N4 - CROWS NEST WALL BOARD - W4L04673**
5/8"x2 3/8"x19" (16x60x483)



- (1) **N5 - FRONT PORCH GABLE TRIM - W4L04656**
5/8"x2 3/8"x15" (16x60x381)



- (2) **N6 - WINDOW TRIM - W4L04646**
5/8"x2 3/8"x12 1/4" (16x60x310)

Parts Identification

Wood Components

(NOT TO SCALE)



- (2) **N7 - GABLE TRIM - W4L04648**
5/8"x2 3/8"x11 1/2" (16x60x292)



- (2) **N8 - FRONT PORCH GABLE TRIM - W4L04657**
5/8"x2 3/8"x9 1/2" (16x60x241)



- (4) **N9 - GABLE TRIM - W4L04649**
5/8"x2 3/8"x6 1/2" (16x60x165)



- (2) **N10 - GABLE BOARD - W4L04645**
5/8"x2 3/8"x27 5/8" (16x60x702)



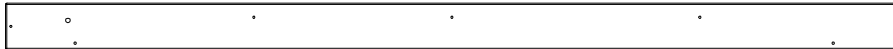
- (18) **O1 - CROWS NEST WALL BOARD - W4L04672**
5/8"x1 3/8"x32 1/2" (16x34x825)



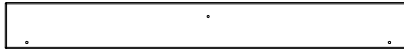
- (1) **O2 - SAFETY BOARD - W4L04605**
5/8"x1 3/8"x28 5/8" (16x34x726)



- (1) **SP50 - SWING BEAM SUPPORT - W103545**
3 3/8"x3 3/8"x48 3/8" (86x86x1228)



- (2) **Y1 - TOP FLOOR BOARD - W4L04609**
5/8"x4"x78" (16x102x1980)



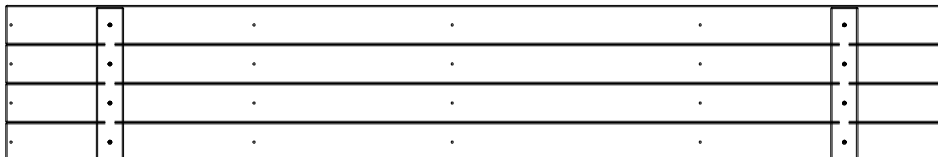
- (2) **Y2 - BOTTOM FLOOR BOARD - W4L04577**
5/8"x4"x35 1/4" (16x102x895)



- (1) **Y3 - ROCK WALL END BOARD - W4L04682**
5/8"x4"x22 7/8" (16x102x580)



- (4) **FP1 - BOTTOM FLOOR PANEL - W2A01485**
1 5/8"x13 1/2"x35 3/8" (40x344x897)

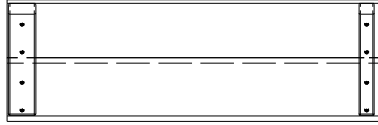


- (4) **FP2 - FLOOR PANEL - W2A01486**
1 1/4"x13 1/2"x81 7/8" (32x344x2080)

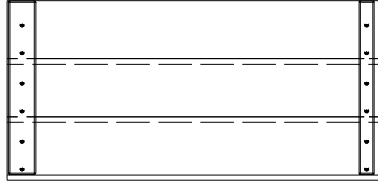
Parts Identification

Wood Components

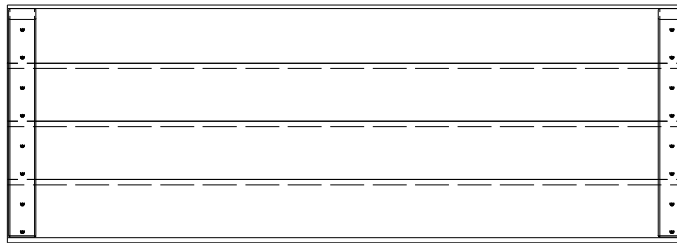
(NOT TO SCALE)



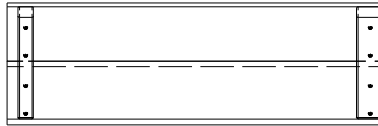
- (1) **RP1 - LEFT PORCH PEAK ROOF PANEL - W2A02630**
1 5/8"x10 1/2"x32 7/8" (42x268x834)



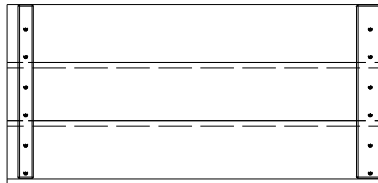
- (1) **RP2 - LEFT PORCH ROOF PANEL - W2A02628**
1 5/8"x15 5/8"x32 7/8" (42x396x834)



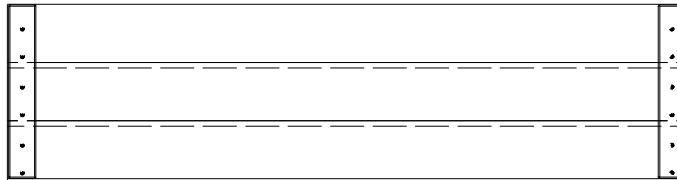
- (2) **RP3 - PEAK ROOF PANEL - W2A02626**
1 5/8"x20 5/8"x59" (42x524x1499)



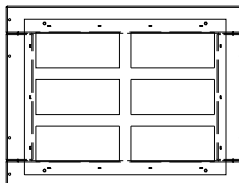
- (1) **RP4 - RIGHT PORCH PEAK ROOF PANEL - W2A02631**
1 5/8"x10 1/2"x32 7/8" (42x268x834)



- (1) **RP5 - RIGHT PORCH ROOF PANEL - W2A02629**
1 5/8"x15 5/8"x32 7/8" (42x396x834)



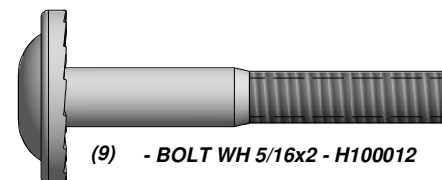
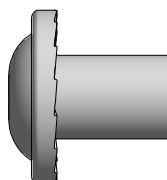
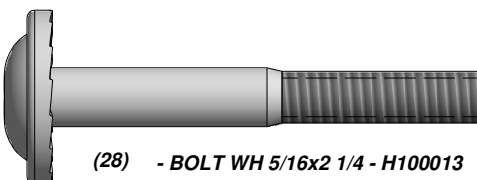
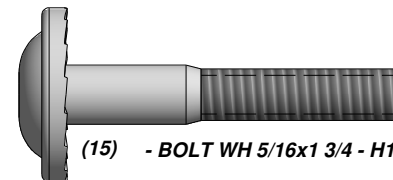
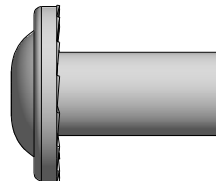
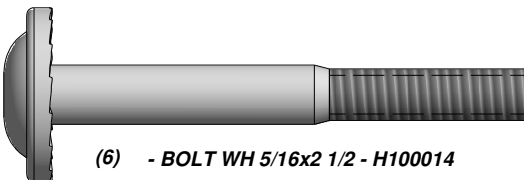
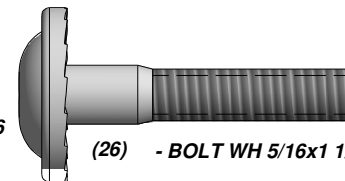
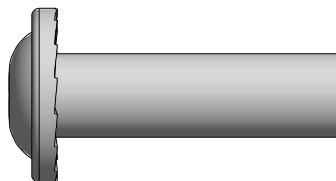
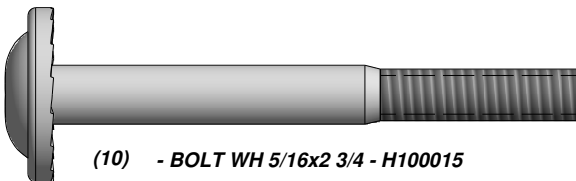
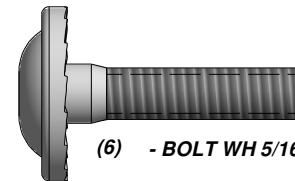
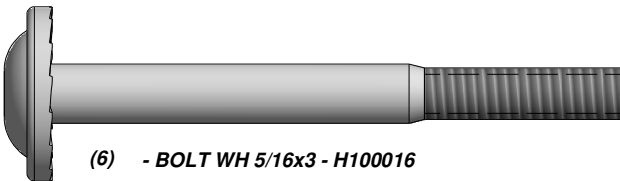
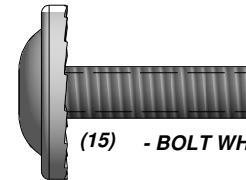
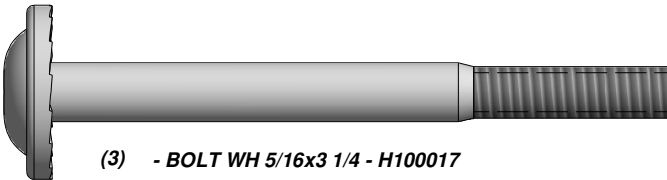
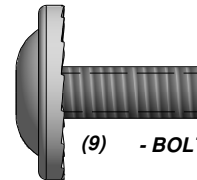
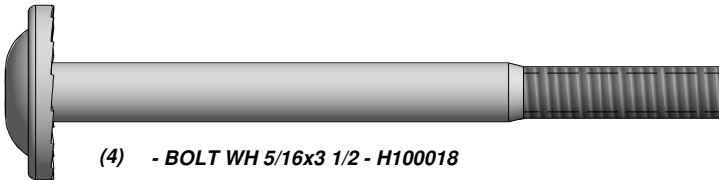
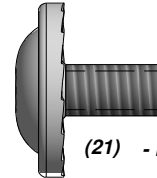
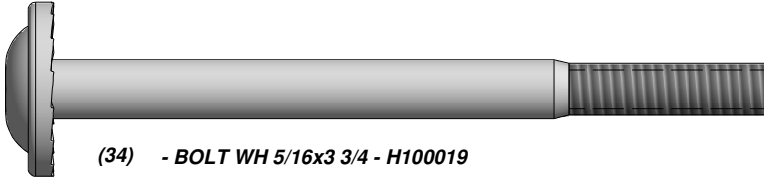
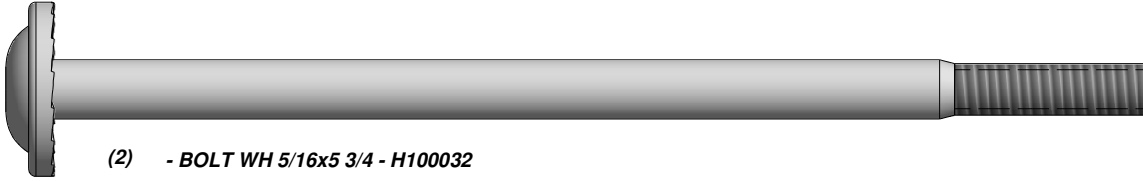
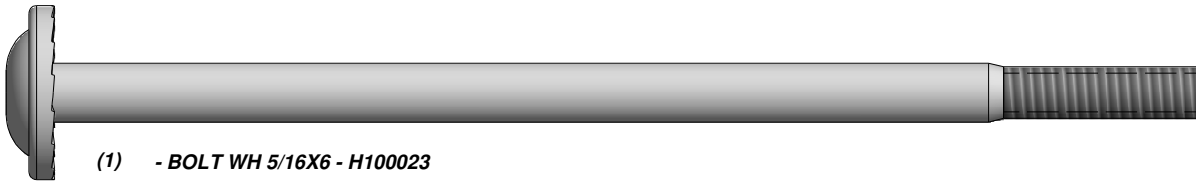
- (4) **RP6 - ROOF PANEL - W2A02627**
1 5/8"x15 5/8"x59" (42x396x1499)



- (6) **WP1 - BAY WINDOW PANEL - W2A01496**
7/8"x15 3/4"x20 3/4" (21x400x526)

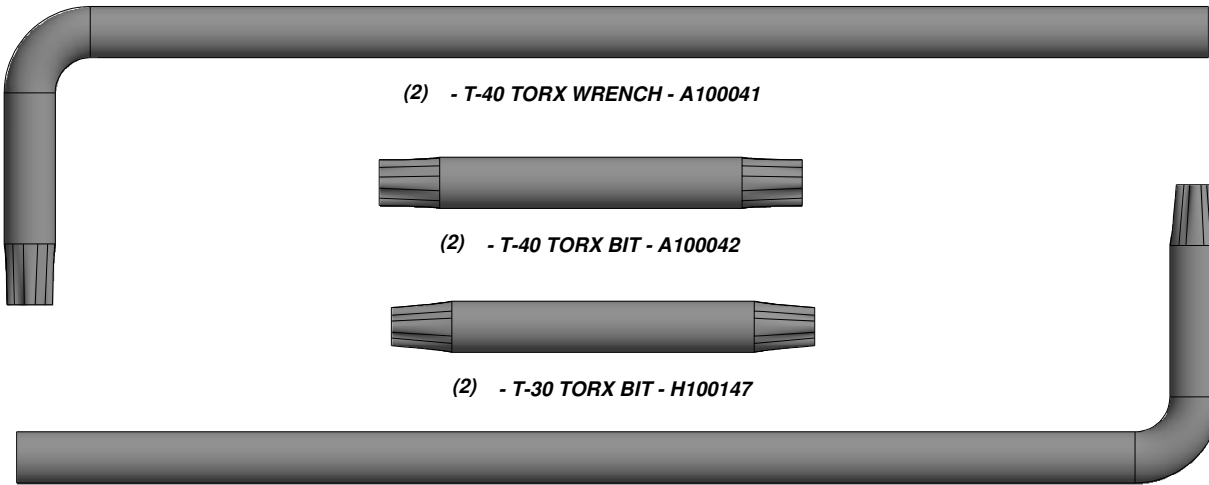
Parts Identification

Hardware



Parts Identification

Hardware



(2) - T-40 TORX WRENCH - A100041

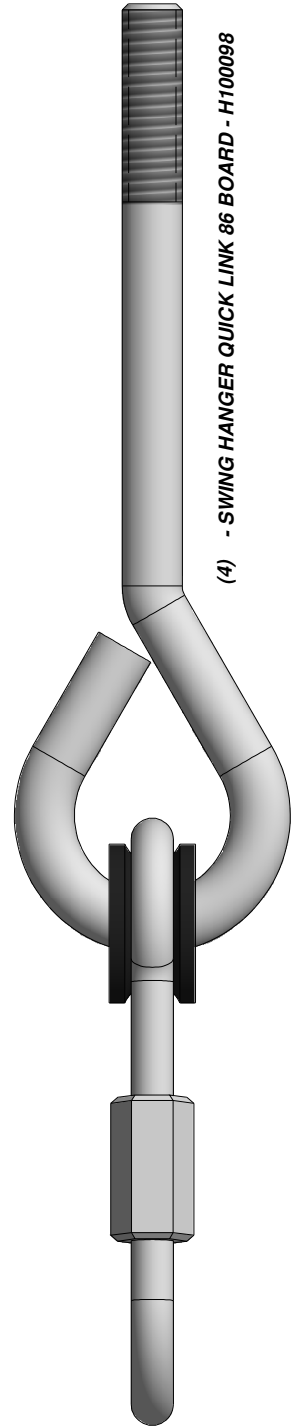


(2) - T-40 TORX BIT - A100042

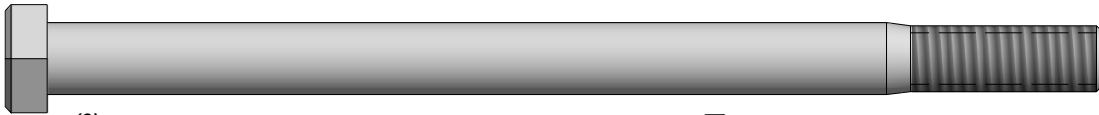


(2) - T-30 TORX BIT - H100147

(2) - T-30 TORX WRENCH - H100114



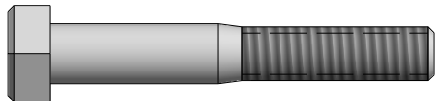
(4) - SWING HANGER QUICK LINK 86 BOARD - H100098



(9) - BOLT HEX 3/8x5-1/2 - H100654



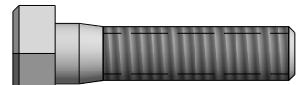
(2) - BOLT HEX 5/16x2-3/4 - H100047



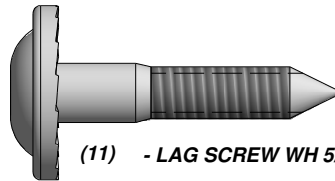
(4) - BOLT HEX 5/16x2 - H100044



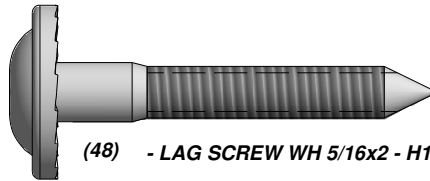
(2) - BOLT HEX 5/16x1 3/4 - H100043



(4) - BOLT HEX 5/16x1 1/4 - H100042



(11) - LAG SCREW WH 5/16x1 1/2 - H100026



(48) - LAG SCREW WH 5/16x2 - H100027



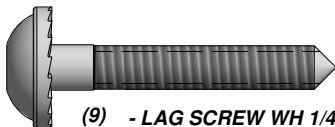
(42) - LAG SCREW WH 5/16x2 1/2 - H100028



(2) - LAG SCREW WH 1/4x2 - H100146



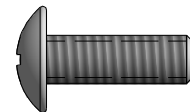
(17) - SCREW TAPPING 14x1-1/2 - H100109



(9) - LAG SCREW WH 1/4x1-1/2 - H100145



(1) - SCREW TAPPING 14x2-1/2 - H100082



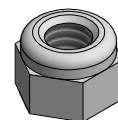
(26) - BOLT PTH 1/4x3/4 - H100063



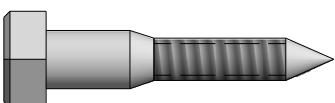
(2) - LAG SCREW HEX 5/16x2-1/2 - H100068



(9) - SCREW PWH 8x3/4 - H100070



(9) - NUT LOCK 5/16 - H100110



(9) - LAG SCREW HEX 5/16x1-1/2 - H100066



(33) - SCREW PWH 8x5/8 - H100128

Parts Identification

Hardware



(58) - SCREW PFH 8x2 1/2 - H100090



(37) - SCREW PFH 8x2 1/4 - H100091



(88) - SCREW PFH 8x2 - H100111



(4) - SCREW PFH 8x1-3/4" - H100089



(326) - SCREW PFH 8x1-1/2" - H100086



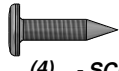
(2) - SCREW PFH 8x1-1/4" - H100087



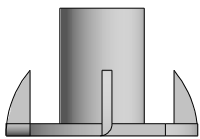
(401) - SCREW PFH 8x1-1/8" - H100088



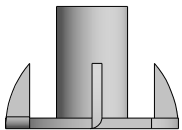
(9) - SCREW PFH 8x1 - H100085



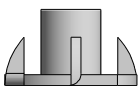
(4) - SCREW PPH 4x1/2 WZ - H100360



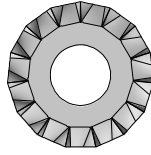
(9) - T-NUT 3/8 - H100073



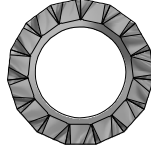
(150) - T-NUT 5/16 - H100074



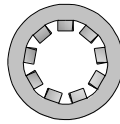
(26) - T-NUT 1/4 - H100072



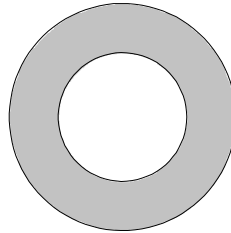
(206) - WASHER LOCK EXT 8x19 - H100030



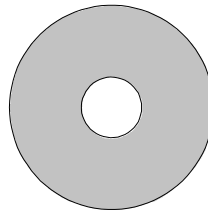
(28) - WASHER LOCK EXT 12x19 - H100031



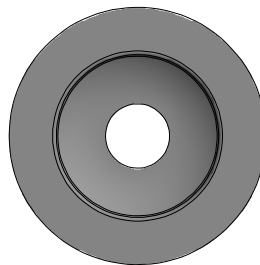
(28) - WASHER LOCK INT 8x15 - H100108



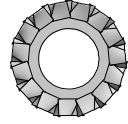
(4) - WASHER SAFETY 17x30 - H100103



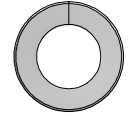
(30) - WASHER FLAT 8x27 - H100105



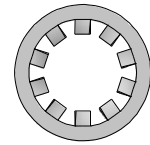
(1) - FLANGE CUP WASHER - H100225



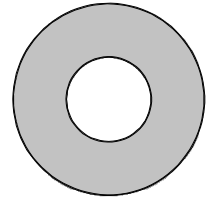
(2) - WASHER LOCK EXT 6x15 - H100138



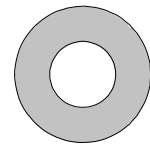
(22) - WASHER SPLIT 5/16 - H100095



(9) - WASHER LOCK INT 10x18 - H100107



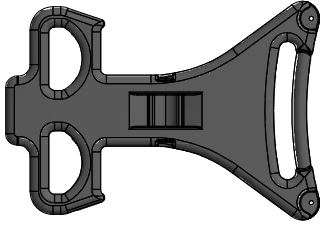
(9) - WASHER FLAT 11x25 - H100102



(11) - WASHER FLAT 9x18 - H100106

Parts Identification

Accessories (NOT TO SCALE)



(2) DJ - GLIDER ARM LIGHT GREEN - A100021



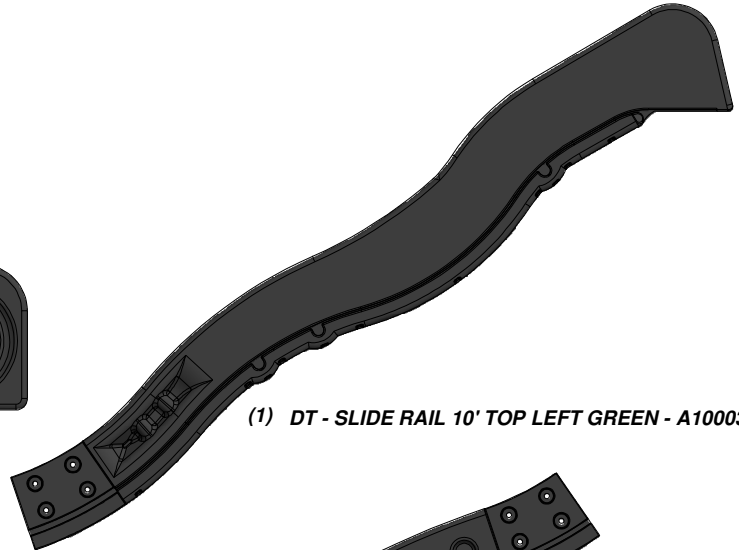
(1) DN - GLIDER SEAT DARK GREEN - A100025



(2) DP - SWING SEAT GREEN - A100027



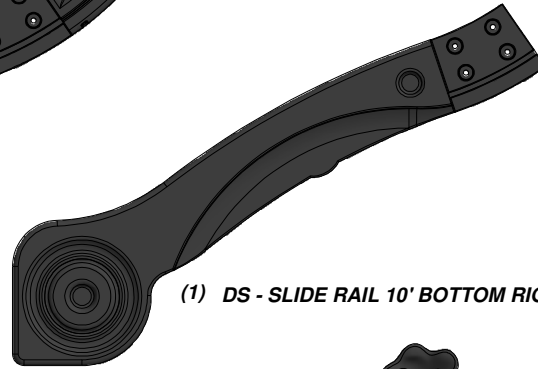
(1) DR - SLIDE RAIL 10' BOTTOM LEFT GREEN - A100030



(1) DT - SLIDE RAIL 10' TOP LEFT GREEN - A100032



(1) TR - SLIDE RAIL 10' TOP RIGHT GREEN - A100033



(1) DS - SLIDE RAIL 10' BOTTOM RIGHT GREEN - A100031



(6) - GREEN HC ROCK #1 - A6P00036



(6) - GREEN HC ROCK #2 - A6P00037



(1) DX - SLIDE BED 10' LIGHT GREEN - A100035



(8) EC - METAL RUNG 559 GREEN - A100045



(4) DW - SLIDE SUPPORT TUBE 21.34x2.77x505 - A100034
21.34 OD x 2.77 W x 505



(1) HC - BYD ID TAG (LARGE) AGES 3-10 - A100164



(1) - VERTICAL ID PLATE - A4M00520

Parts Identification

Accessories (NOT TO SCALE)



(4) EF - CHAIN GREEN 57" - A100047



(4) HW - CHAIN GREEN 44" - A100048



(2) - HAND GRIP GREEN 816 C/C - A100134



(2) - LADDER RUNG 629 GREEN - A100324



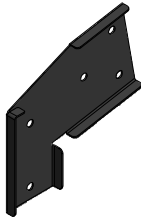
(6) - HAND GRIP METAL GREEN 381 c/c - A100118



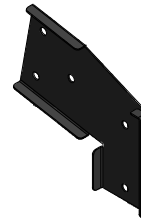
(8) FA - QUICK LINK - A100069



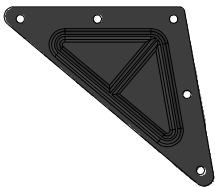
(1) SS - "C" REVISION TAG - A100316



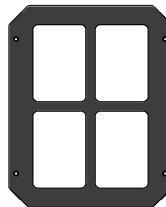
(1) - SWING BEAM EXTENSION BRACKET-LEFT - A100325



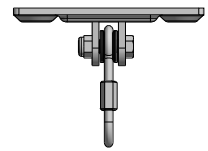
(1) - SWING BEAM EXTENSION BRACKET-RIGHT - A100326



(2) - TRIANGLE PLATE 100° 5 HOLE - A100294



(2) - WINDOW 216x267 GREEN - A100146



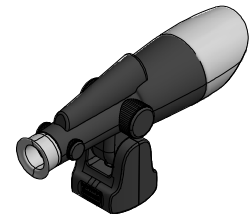
(4) SWING HANGER - A4M00505



(5) - L BRACKET 51x32x82x3.175 - A100396



(8) KC - METAL GROUND STAKE BROWN - A100178



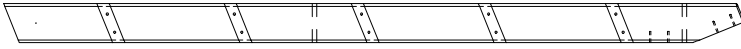
(1) TELESCOPE - A100104



(15) - L BRACKET 2.5x38x50x55 - A100340



(2) - GROUND STAKE REBAR - A4M00527



(1) **E77 - LEFT UPRIGHT - W4L11769**
 1 3/8"x3 3/8"x64 3/8" (36x86x1634)

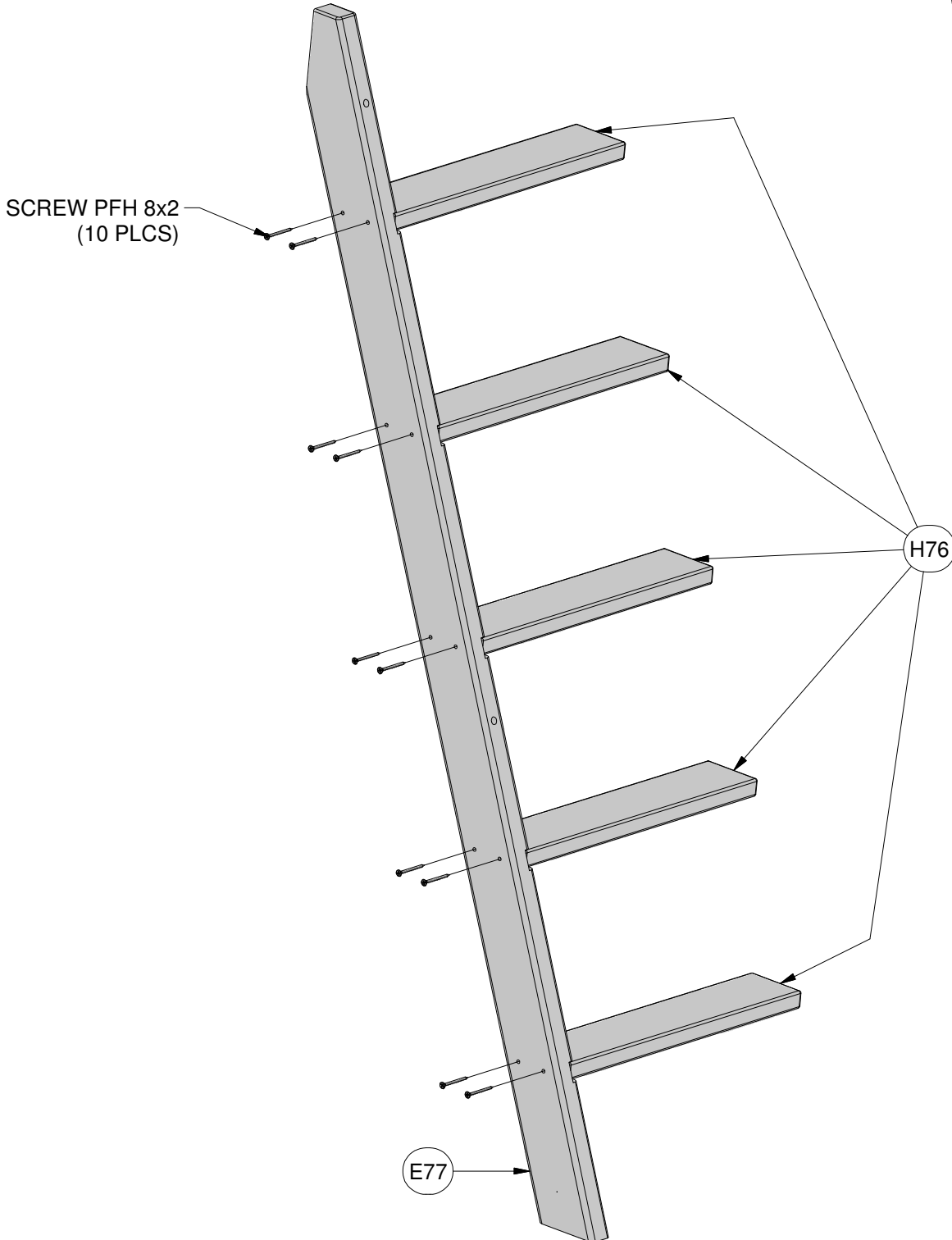


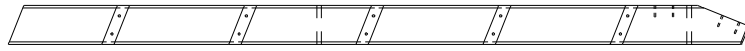
(5) **H76 - LADDER RUNG - W4L11770**
 1"x3 3/8"x18 1/8" (24x86x460)

**5 FOOT LADDER ASSEMBLY
 STEP 1**



SCREW PFH
 (10) 8x2
 H100111



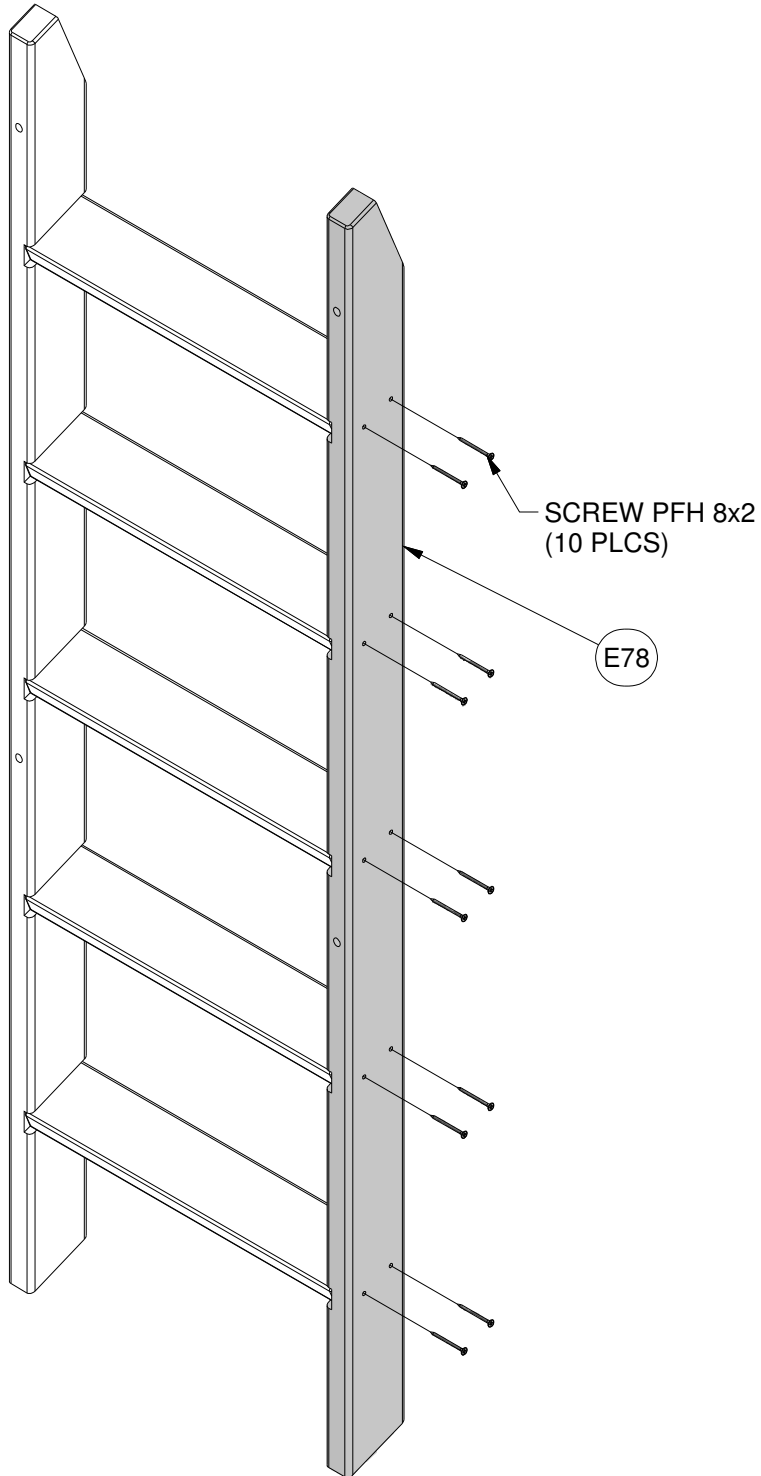


(1) **E78 - RIGHT UPRIGHT - W4L11768**
1 3/8"x3 3/8"x64 3/8" (36x86x1634)

5 FOOT LADDER ASSEMBLY
STEP 2



SCREW PFH
(10) 8x2
H100111



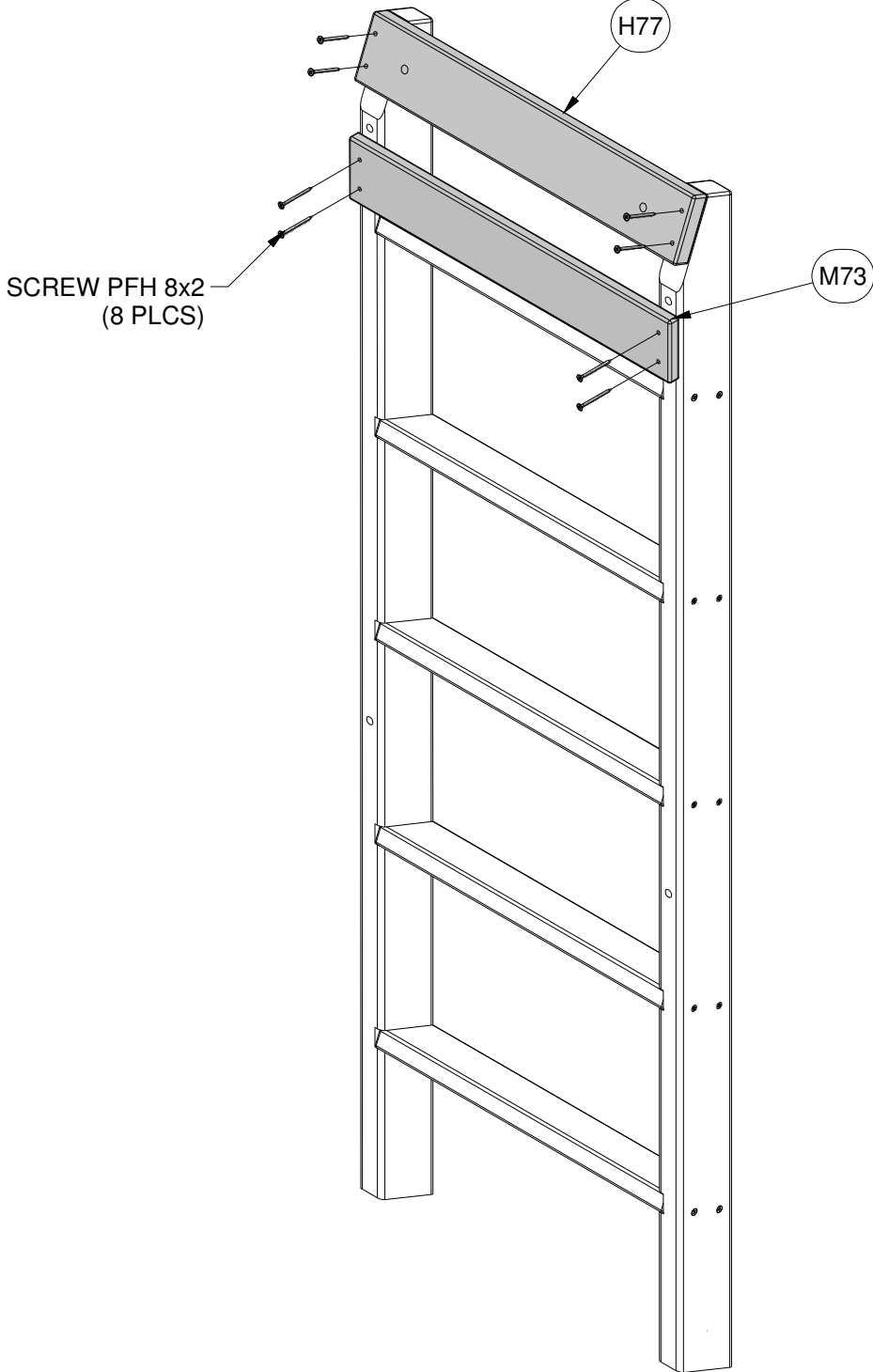
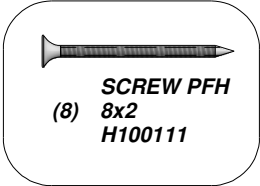


(1) **M73 - REAR SUPPORT - W4L11767**
 5/8"x3 3/8"x20 1/8" (16x86x512)



(1) **H77 - ATTACHMENT BOARD - W4L11766**
 1"x3 3/8"x20 1/8" (24x86x512)

5 FOOT LADDER ASSEMBLY
STEP 3



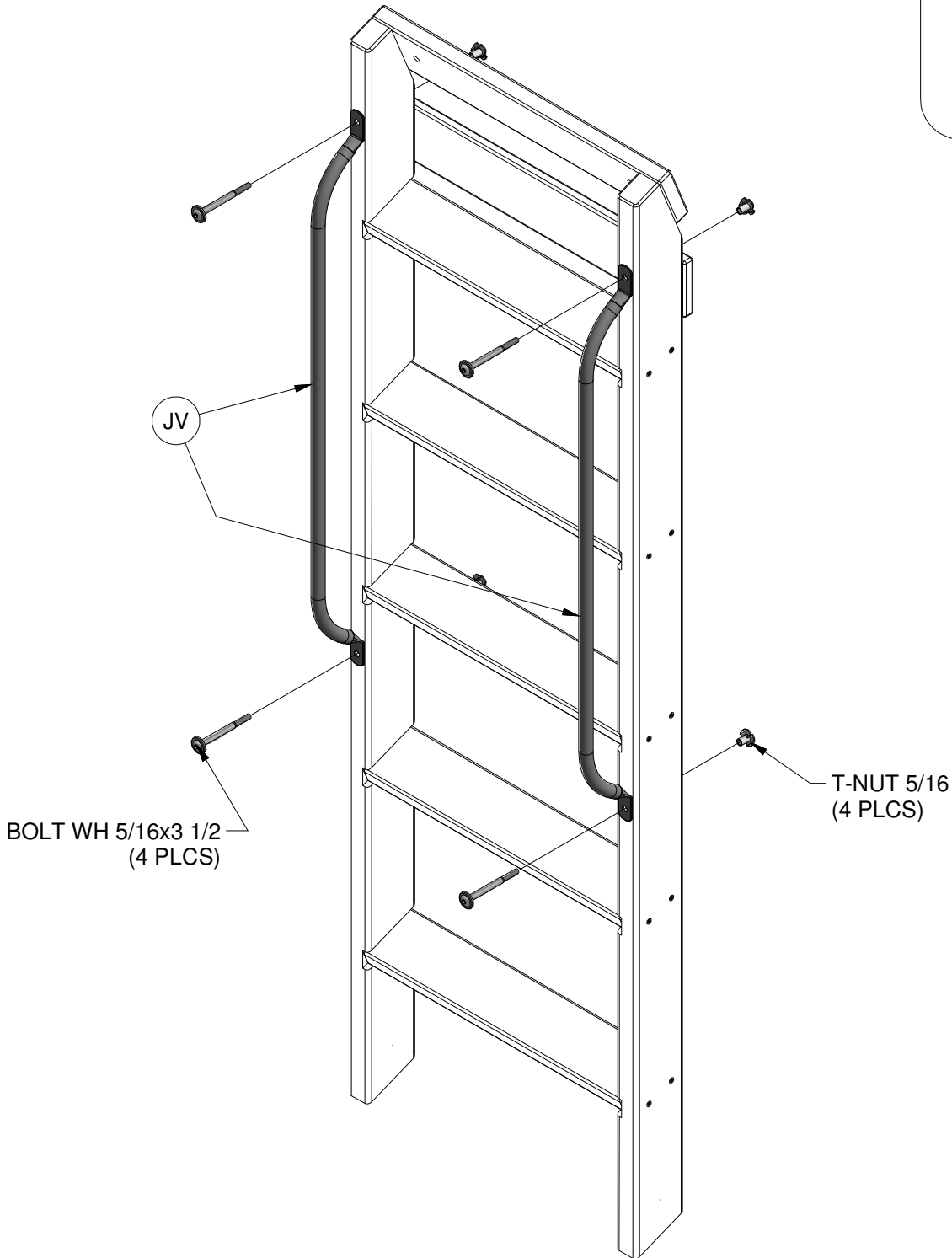


(2) JV - HAND GRIP GREEN 816 C/C - A100134

**5 FOOT LADDER ASSEMBLY
STEP 4**

BOLT WH
(4) 5/16x3 1/2
H100018

(4) **T-NUT 5/16**
H100074



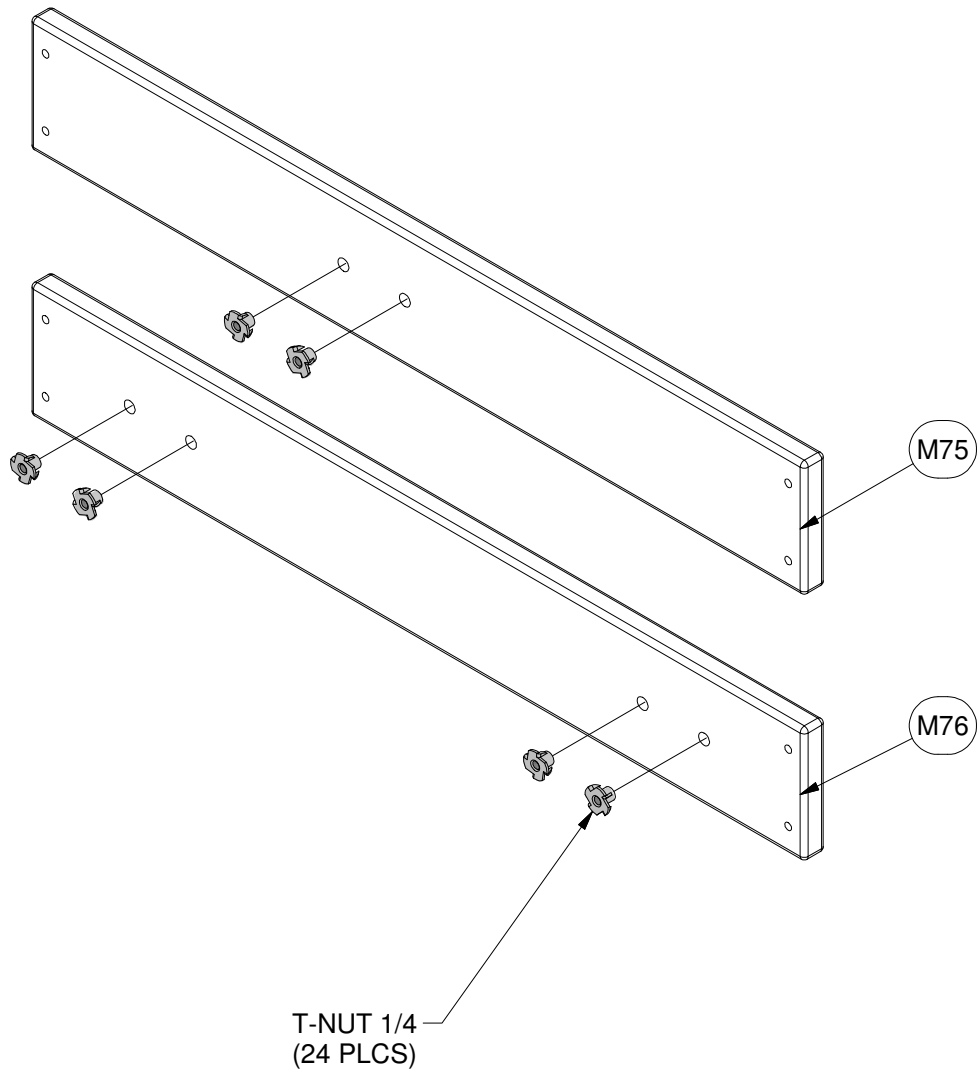
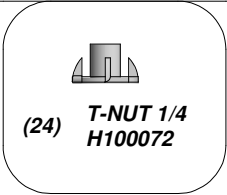


(4) **M76 - ROCK WALL BOARD - W4L04830**
5/8"x3 3/8"x22 7/8" (16x86x580)



(4) **M75 - ROCK WALL BOARD - W4L04829**
5/8"x3 3/8"x22 7/8" (16x86x580)

ROCK WALL ASSEMBLY
STEP 1





(10) M74 - ROCK WALL BOARD - W4L04678
5/8"x3 3/8"x22 7/8" (16x86x580)



(4) M76 - ROCK WALL BOARD - W4L04830
5/8"x3 3/8"x22 7/8" (16x86x580)

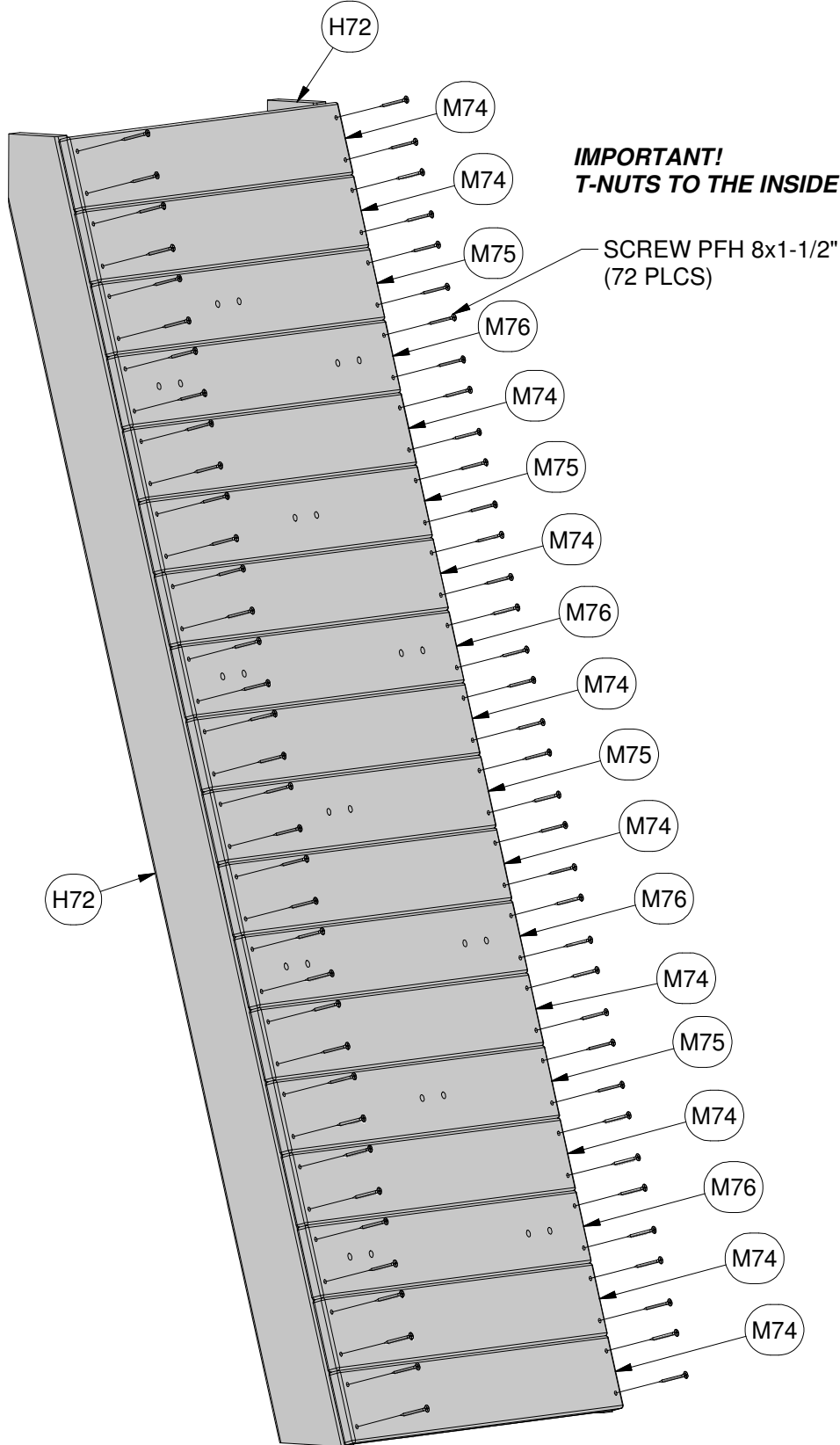
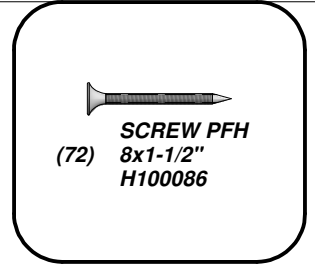


(4) M75 - ROCK WALL BOARD - W4L04829
5/8"x3 3/8"x22 7/8" (16x86x580)

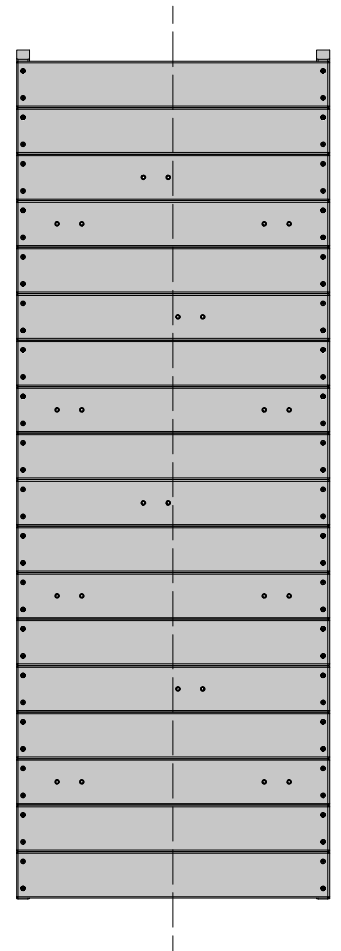


(2) H72 - ROCKWALL RAIL - W4L04677
1"x3 3/8"x61 3/4" (24x86x1570)

ROCK WALL ASSEMBLY STEP 2



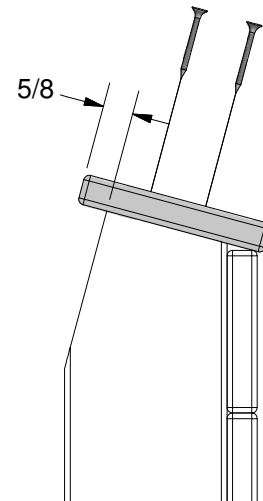
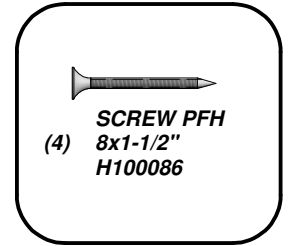
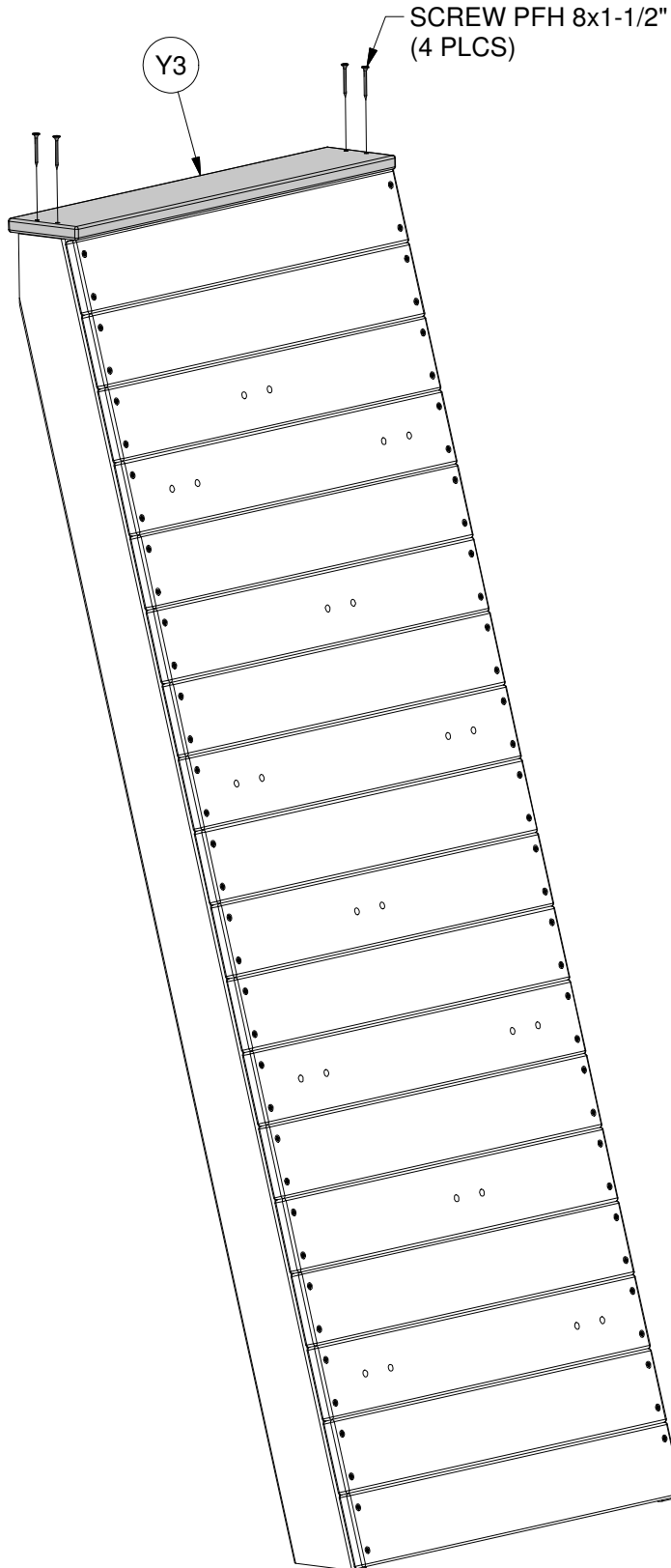
RECOMMENDED BOARD PLACEMENT PATTERN

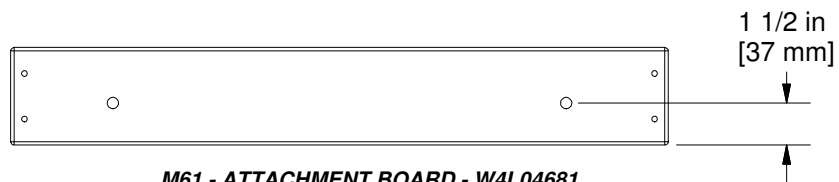




- (1) **Y3 - ROCK WALL END BOARD - W4L04682**
5/8"x4"x22 7/8" (16x102x580)

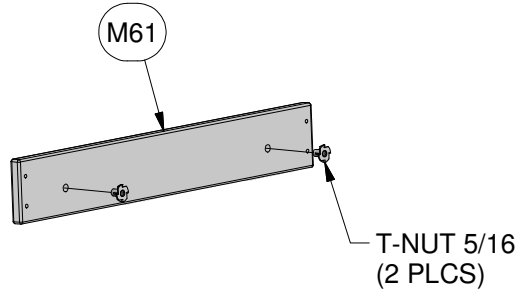
ROCK WALL ASSEMBLY
STEP 3






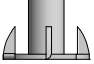
(1) **M61 - ATTACHMENT BOARD - W4L04681**
5/8"x3 3/8"x22 7/8" (16x86x580)

ROCK WALL ASSEMBLY
STEP 4

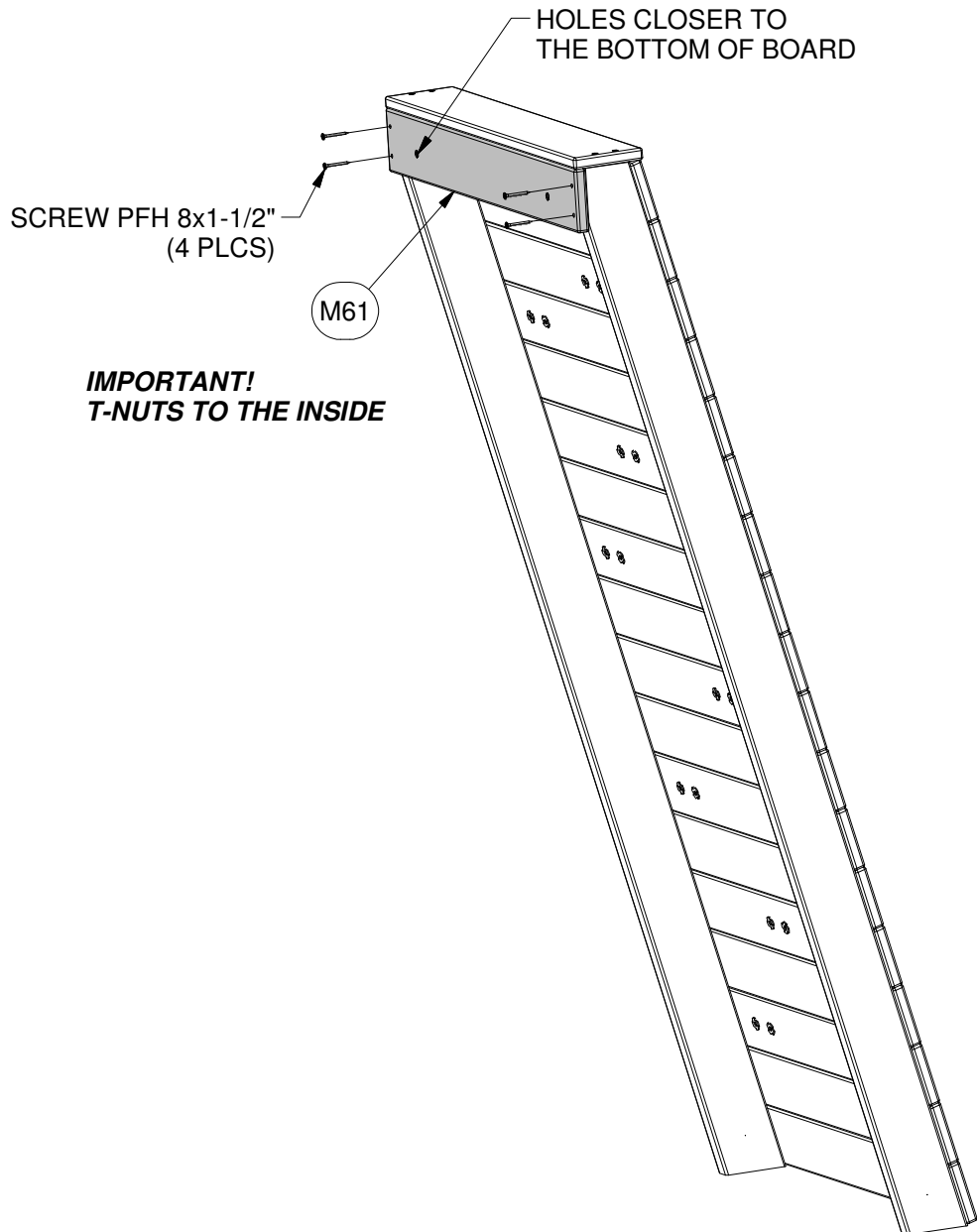




SCREW PFH
(4) **8x1-1/2"**
H100086



(2) **T-NUT 5/16**
H100074





(6) - GREEN HC ROCK #1 - A6P00036



(6) - GREEN HC ROCK #2 - A6P00037

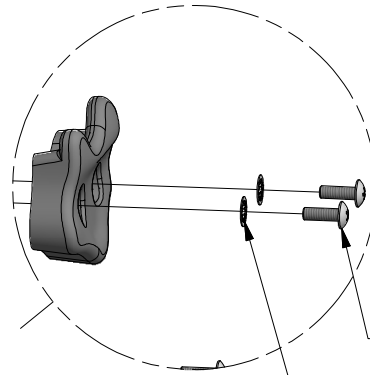
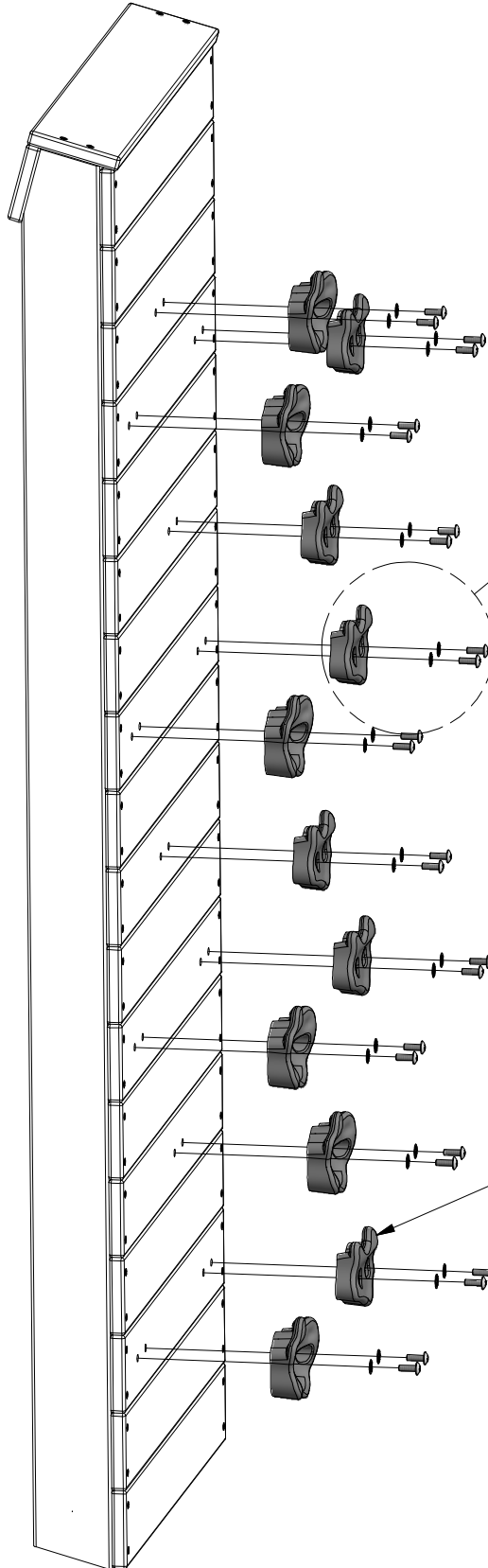
ROCK WALL ASSEMBLY STEP 5



BOLT PTH
(24) 1/4x3/4
H100063

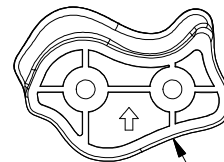


**WASHER
LOCK INT**
(24) 8x15
H100108



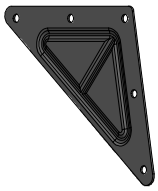
BOLT PTH 1/4x3/4
(24 PLCS)

WASHER LOCK INT 8x15
(24 PLCS)



NOTE:
ARROW ON BACK
OF ROCK POINTS UP.

RANDOMLY PLACE
ALL 12 ROCKS
ON ROCK WALL.



(2) QZ - TRIANGLE PLATE 100° 5 HOLE - A100294



(4) TZ - L BRACKET 2.5x38x50x55 - A100340

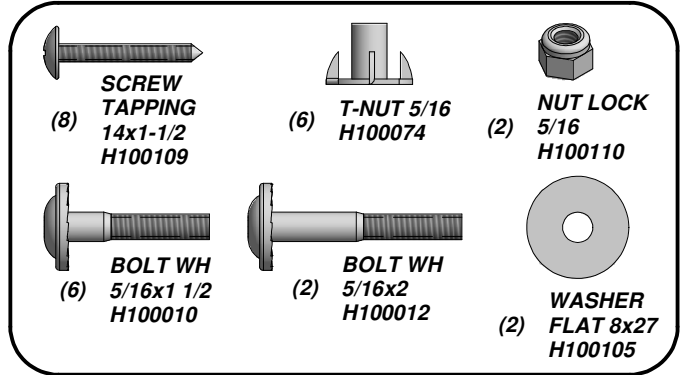


(2) E74 - MONKEY BAR RAIL - W102918
1 3/8"x3 3/8"x77 1/8" (36x86x1959)

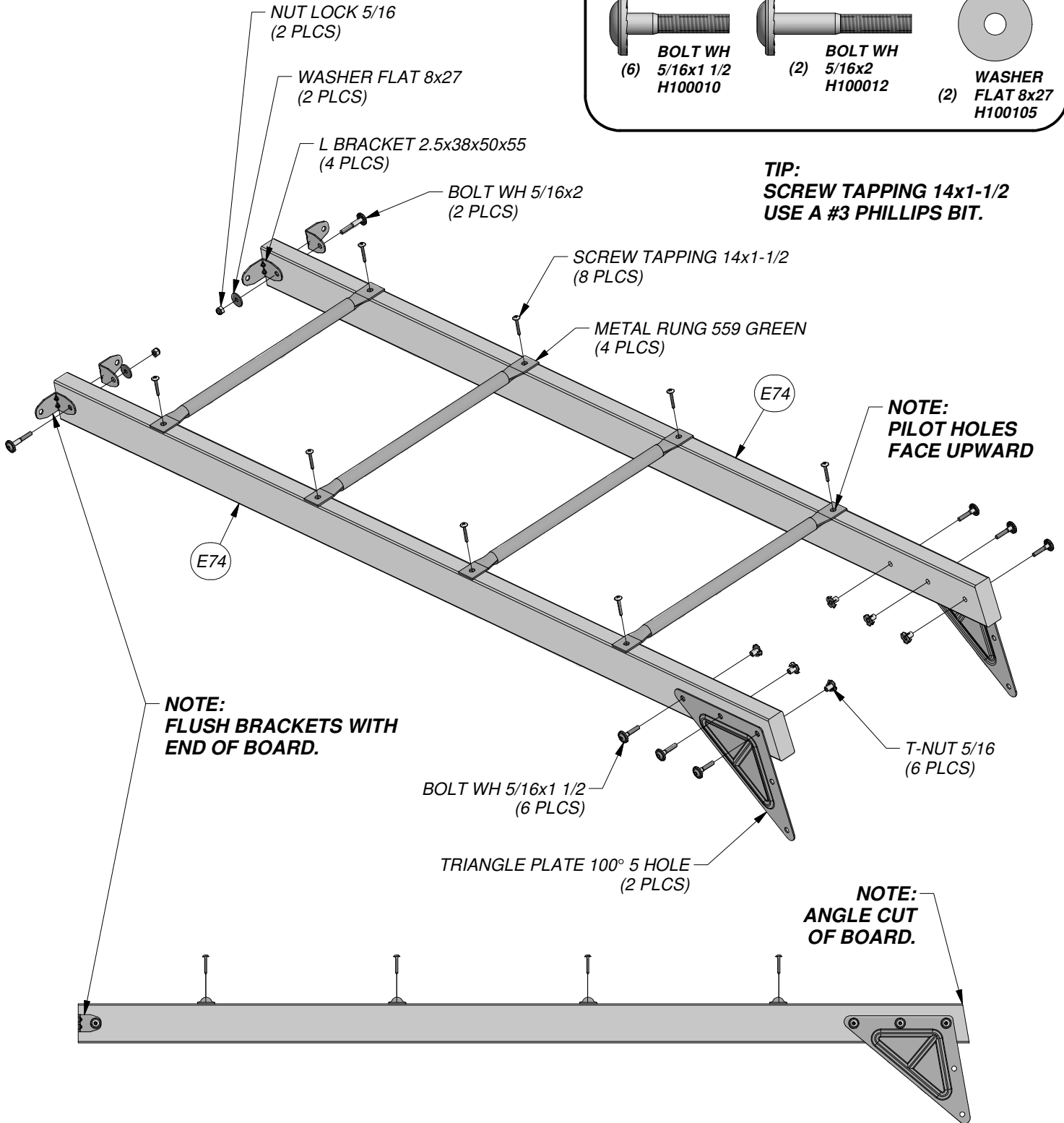


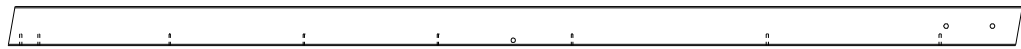
(4) EC - METAL RUNG 559 GREEN - A100045

MONKEY BAR ASSEMBLY STEP 1



TIP:
SCREW TAPPING 14x1-1/2
USE A #3 PHILLIPS BIT.





(2) **E79 - MONKEY BAR UPRIGHT - W100995**
1 3/8"x3 3/8"x88 1/8" (36x86x2237)

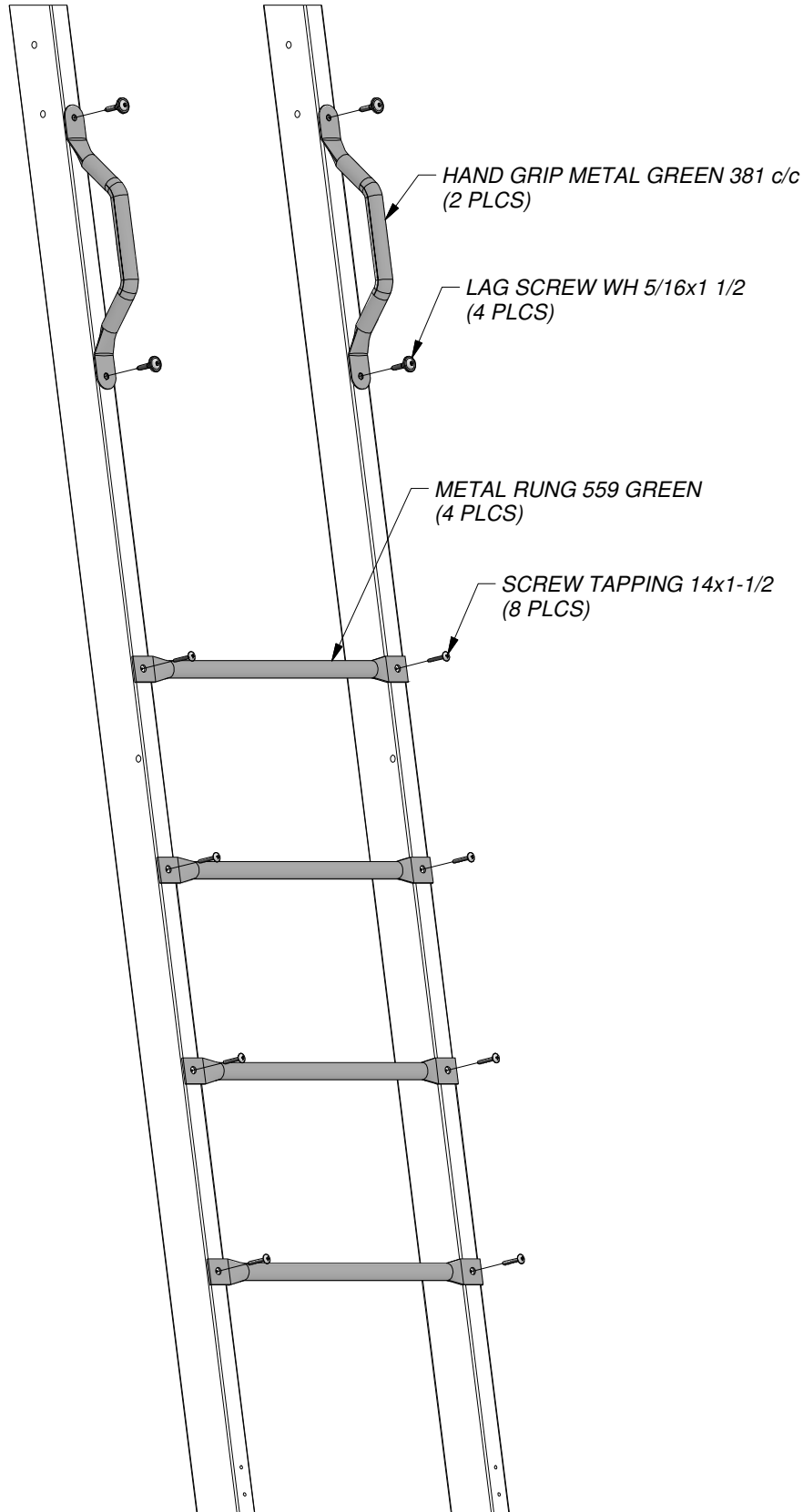


(2) **FX - HAND GRIP METAL GREEN 381 c/c - A100118**



(4) **EC - METAL RUNG 559 GREEN - A100045**

MONKEY BAR ASSEMBLY STEP 2



**SCREW
TAPPING**
(8)
14x1-1/2
H100109



LAG SCREW
(4)
WH 5/16x1 1/2
H100026

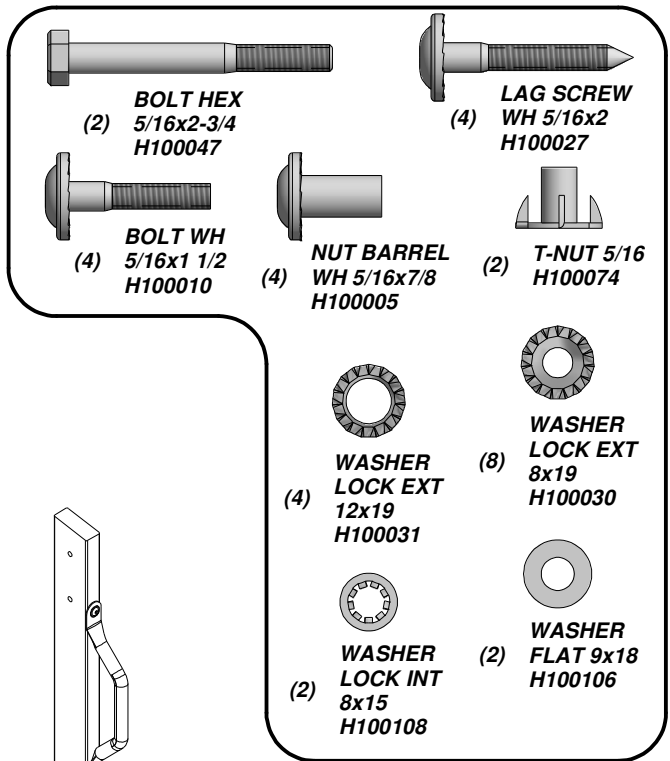


(1) H82 - MONKEY BAR GROUND BOARD - W100994
1"x3 3/8"x70 3/8" (24x86x1786)



(2) H81 - MONKEY BAR BRACE - W100993
1"x3 3/8"x53 1/4" (24x86x1352)

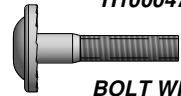
MONKEY BAR ASSEMBLY STEP 3



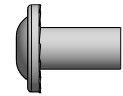
(2) BOLT HEX
5/16x2-3/4
H100047



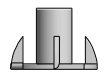
(4) LAG SCREW
WH 5/16x2
H100027



(4) BOLT WH
5/16x1 1/2
H100010



(4) NUT BARREL
WH 5/16x7/8
H100005



(2) T-NUT 5/16
H100074



(4) WASHER
LOCK EXT
12x19
H100031



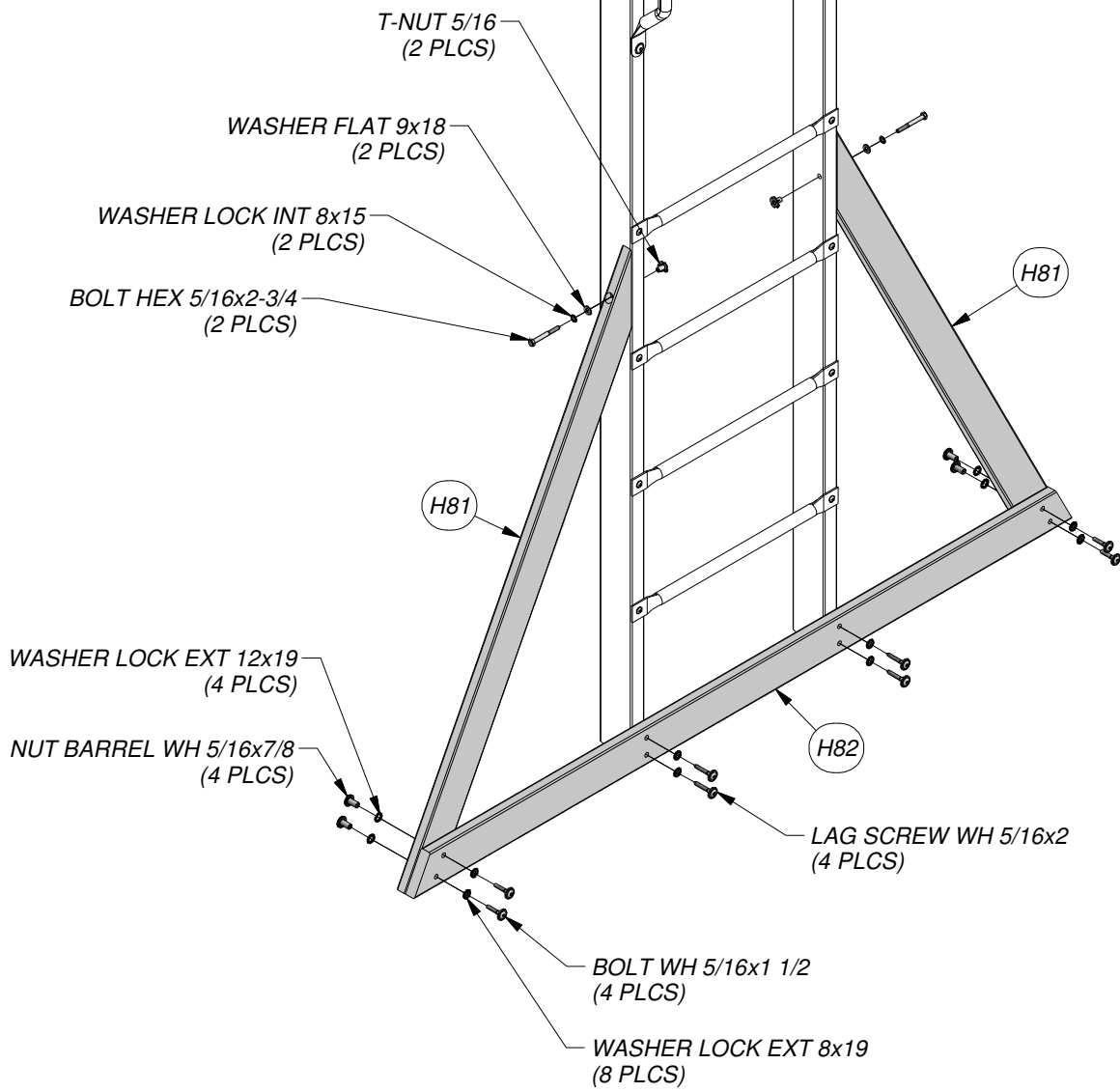
(8) WASHER
LOCK EXT
8x19
H100030



(2) WASHER
LOCK INT
8x15
H100108



(2) WASHER
FLAT 9x18
H100106



T-NUT 5/16
(2 PLCS)

WASHER FLAT 9x18
(2 PLCS)

WASHER LOCK INT 8x15
(2 PLCS)

BOLT HEX 5/16x2-3/4
(2 PLCS)

H81

H81

H82

WASHER LOCK EXT 12x19
(4 PLCS)

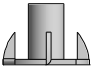
NUT BARREL WH 5/16x7/8
(4 PLCS)

LAG SCREW WH 5/16x2
(4 PLCS)


BOLT WH 5/16x1 1/2
(4 PLCS)

WASHER LOCK EXT 8x19
(8 PLCS)

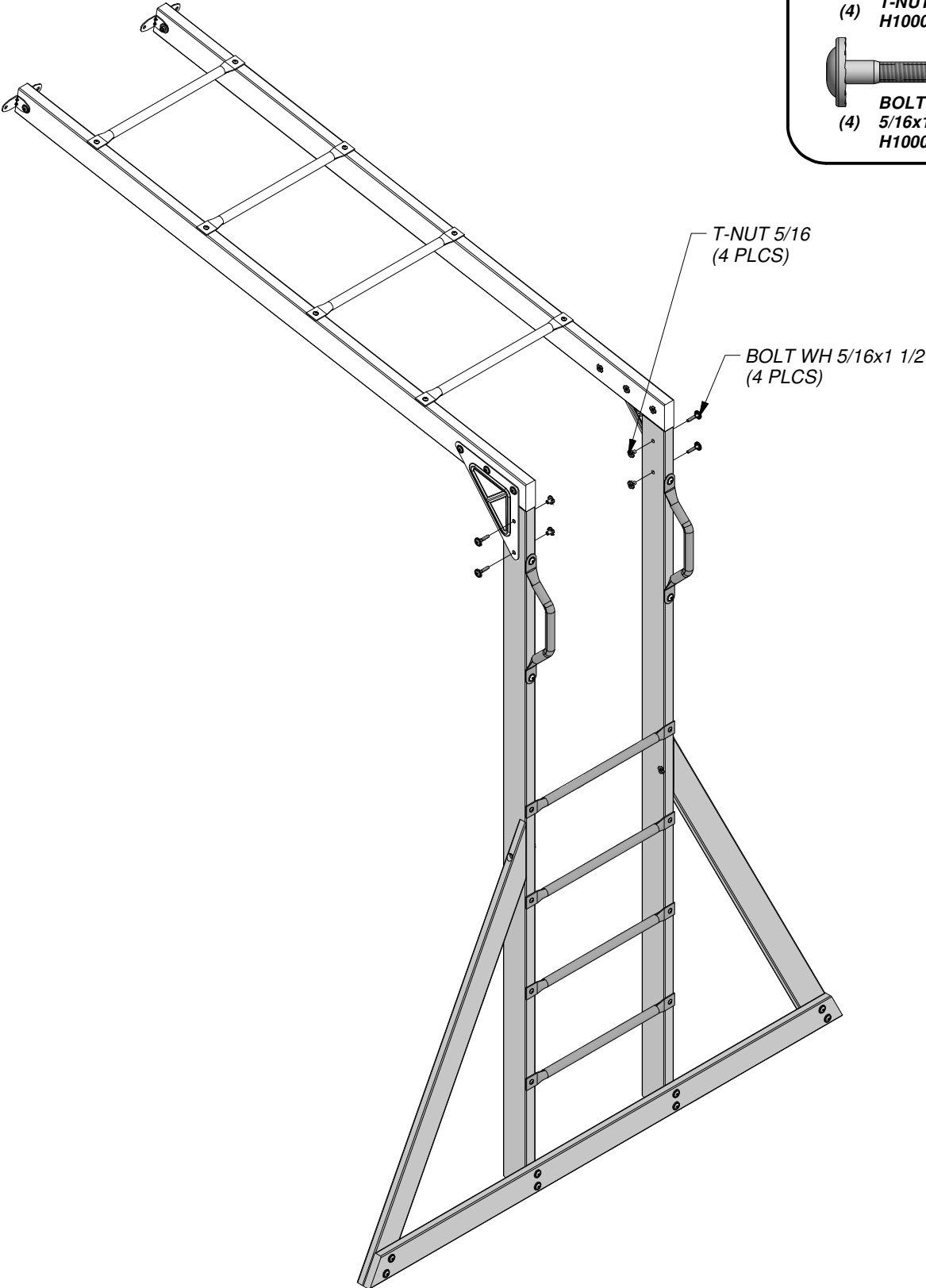
MONKEY BAR ASSEMBLY
STEP 4



T-NUT 5/16
(4) H100074



BOLT WH
(4) 5/16x1 1/2
H100010





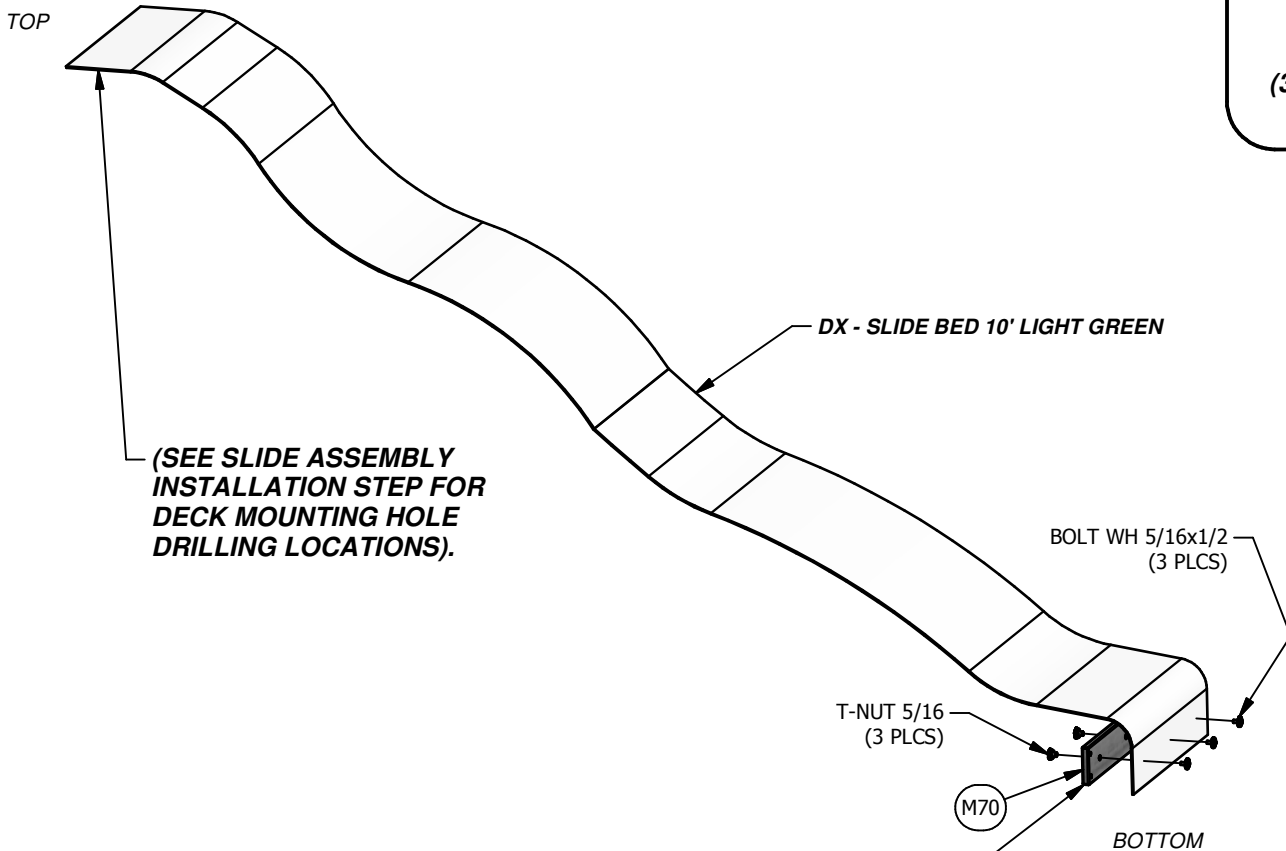
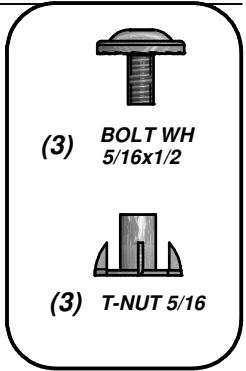
(1) DX - SLIDE BED 10' LIGHT GREEN - A100035



(1) M70 - SLIDE BED SUPPORT - W100935
5/8"x3 3/8"x19 7/8" (16x86x505)

STEP 1

10 FOOT SLIDE ASSEMBLY



(SEE SLIDE ASSEMBLY
INSTALLATION STEP FOR
DECK MOUNTING HOLE
DRILLING LOCATIONS).

USE M70 SLIDE BED SUPPORT AS A
TEMPLATE FOR DRILLING BOTTOM
HOLE PATTERN IN SLIDE BED. BE SURE
TO PLACE SLIDE BRACE UP 1/2" FROM
BOTTOM EDGE OF SLIDE BED BEFORE
MARKING HOLE PATTERN. USE A 3/8"
DRILL BIT TO DRILL HOLE PATTERN.



TIP: PREBENDING THE ENDS WILL EASE ASSEMBLY.

(1) **DS - SLIDE RAIL 10' BOTTOM RIGHT GREEN - A100031**



(1) **TR - SLIDE RAIL 10' TOP RIGHT GREEN - A100033**



(1) **DR - SLIDE RAIL 10' BOTTOM LEFT GREEN - A100030**



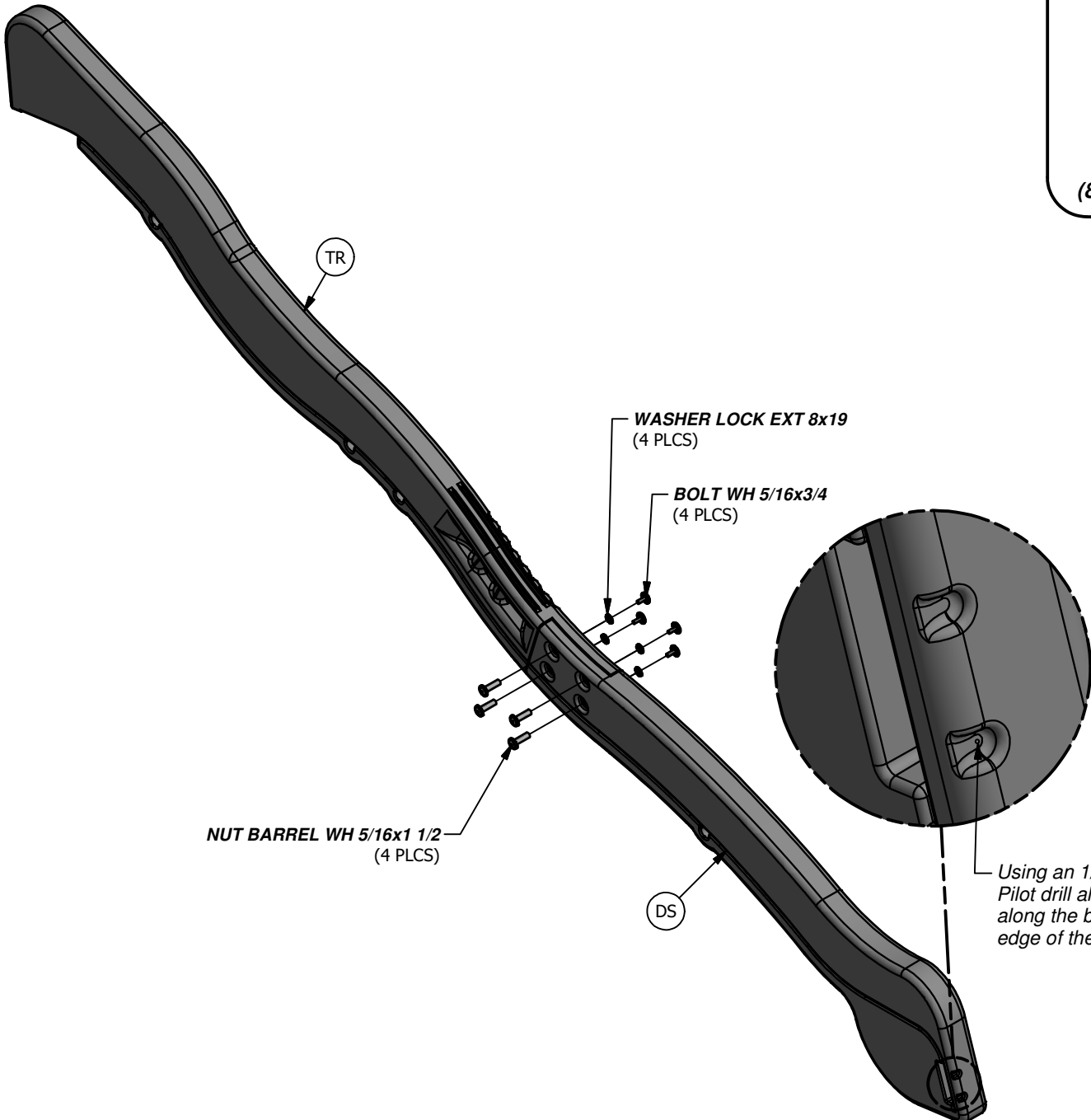
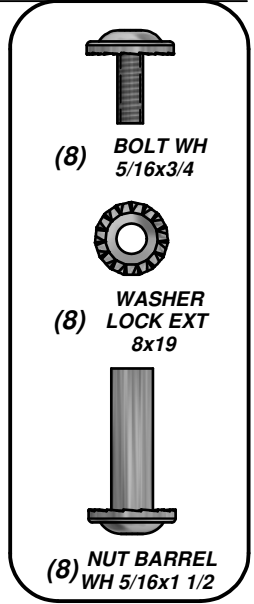
(1) **DT - SLIDE RAIL 10' TOP LEFT GREEN - A100032**



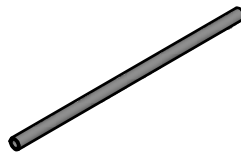
10 FOOT SLIDE ASSEMBLY

STEP 2

- BUILD 2 SIDE RAILS, MAKING A LEFT AND RIGHT ASSEMBLY.



Using an 1/8" drill bit,
Pilot drill all screw dimples
along the bottom and end
edge of the slide rails.

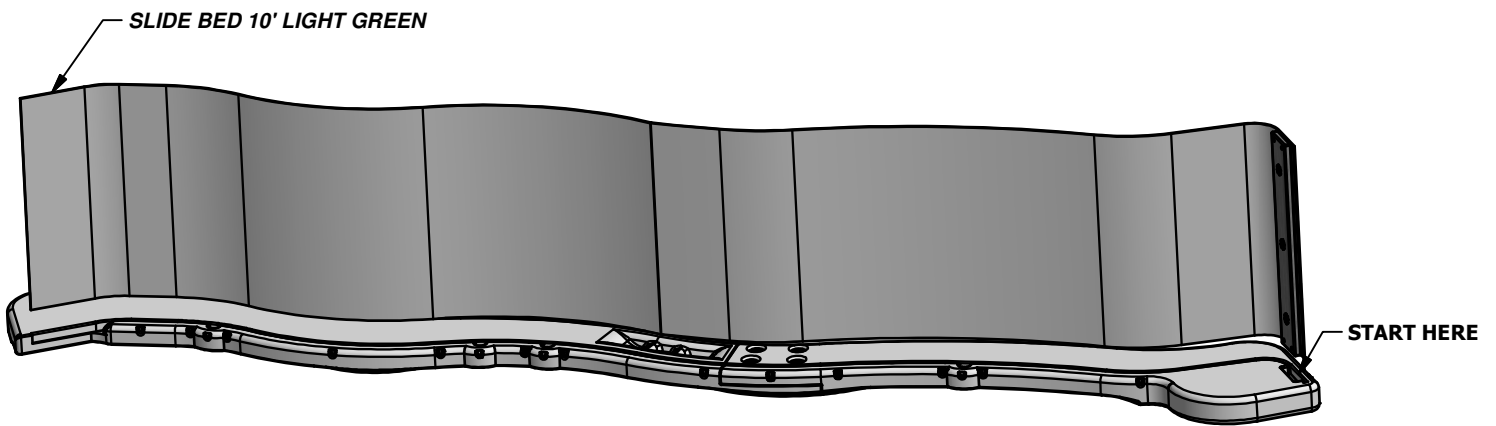


(4) **DW - SLIDE SUPPORT TUBE 21.34x2.77x505 - A100034**
21.34 OD x 2.77 W x 505

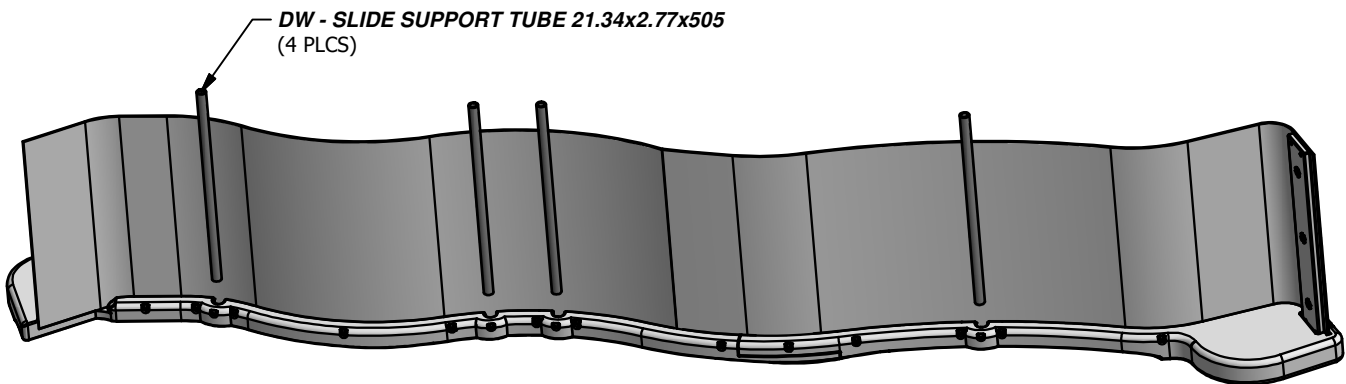
10 FOOT SLIDE ASSEMBLY

STEP 3

- PLACE (1) SLIDE RAIL ASSEMBLY ON A FLAT SURFACE AND BEGIN INSERTING SLIDE BED AT THE BOTTOM OF THE SLIDE RAIL (FIG. 1). HAVE A HELPER BEND THE SLIDE BED TOWARDS THE TOP OF THE SLIDE AND INSERT THE BED INTO THE SLIDE CAVITY. MAKE SURE SLIDE BED IS COMPLETELY DOWN IN THE SLIDE CAVITY.
- INSERT THE (4) SLIDE SUPPORT TUBES INTO THEIR RESPECTIVE PILOT LOCATIONS (FIG. 2).



(FIG. 1)

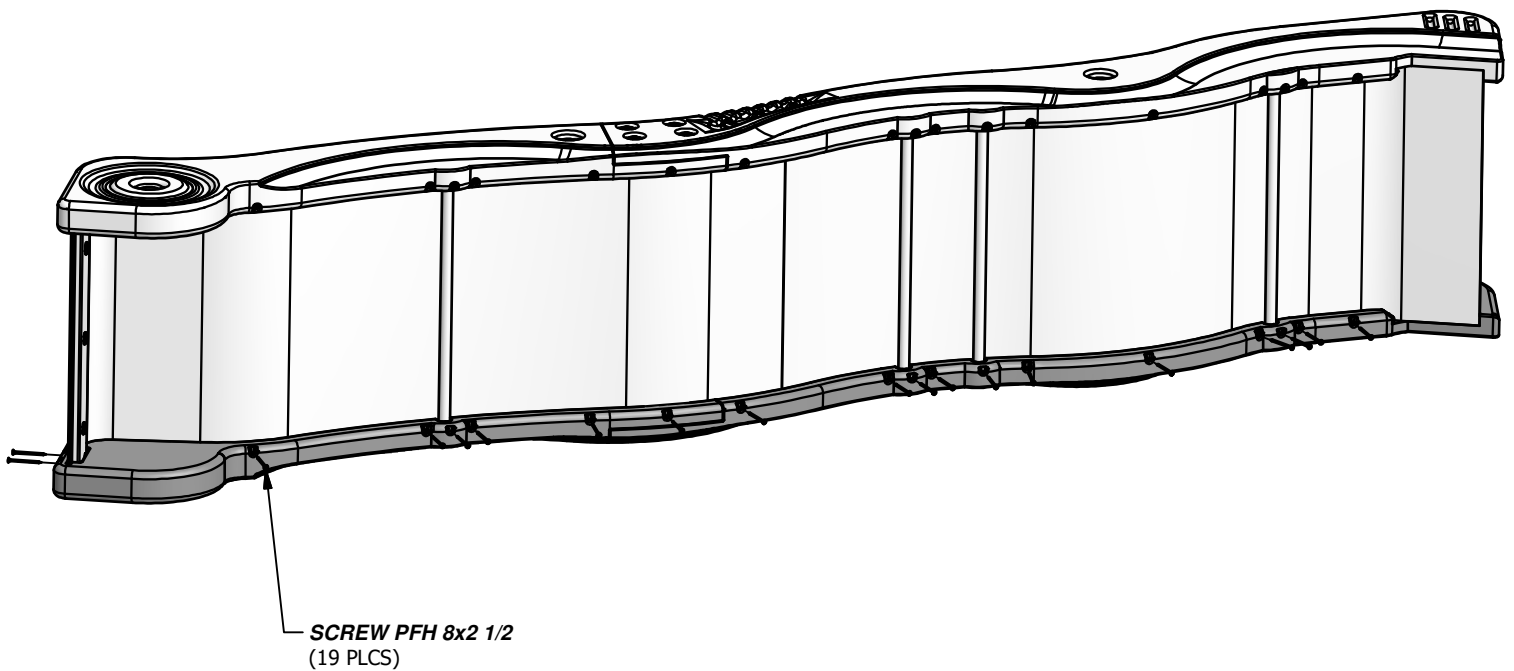
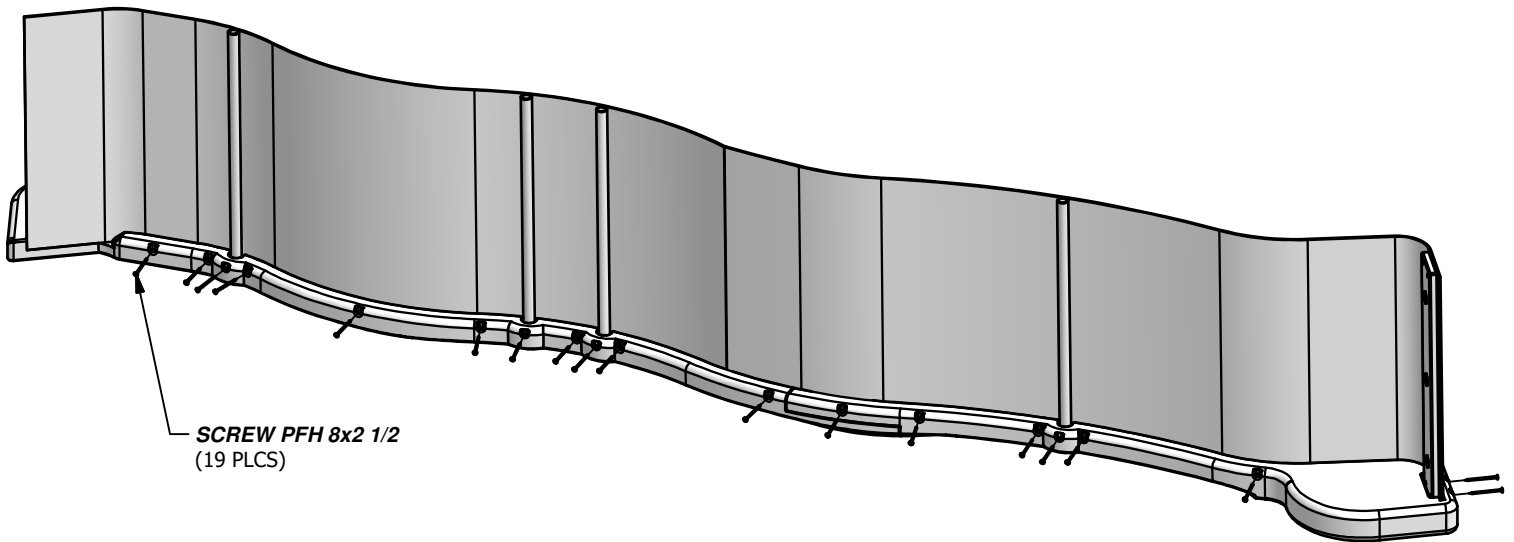
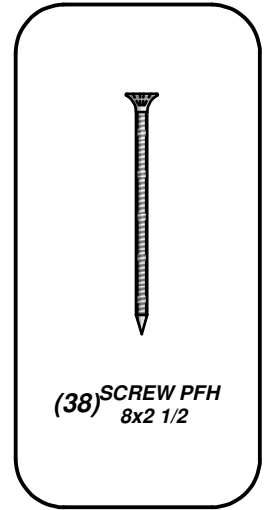


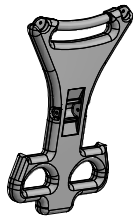
(FIG. 2)

10 FOOT SLIDE ASSEMBLY

STEP 4

- ONCE THE SLIDE BED, SUPPORT TUBES, AND SUPPORT BOARD ARE COMPLETELY IN THE CAVITY AND SUPPORT POCKET, SECURE USING 2-1/2" SCREWS AT EACH OF THE PILOT HOLE LOCATIONS AS SHOWN.
- REPEAT PROCESS FOR OPPOSITE SLIDE RAIL.

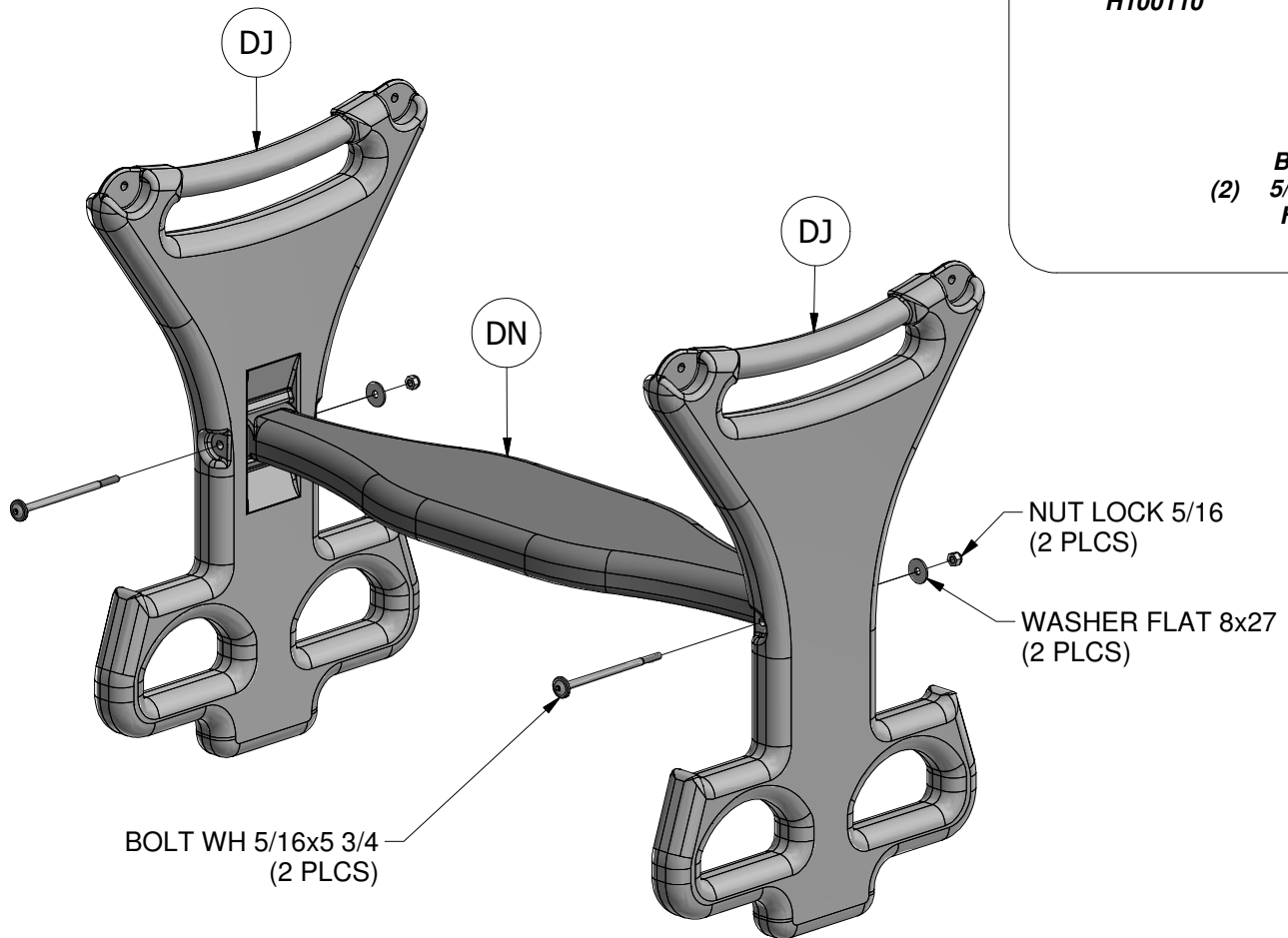


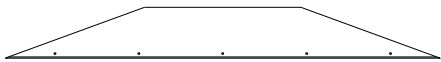


(1) **DN - GLIDER SEAT DARK GREEN - A100025**

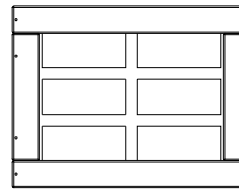
(2) **DJ - GLIDER ARM LIGHT GREEN - A100021**

Light Green & Dark Green Glider





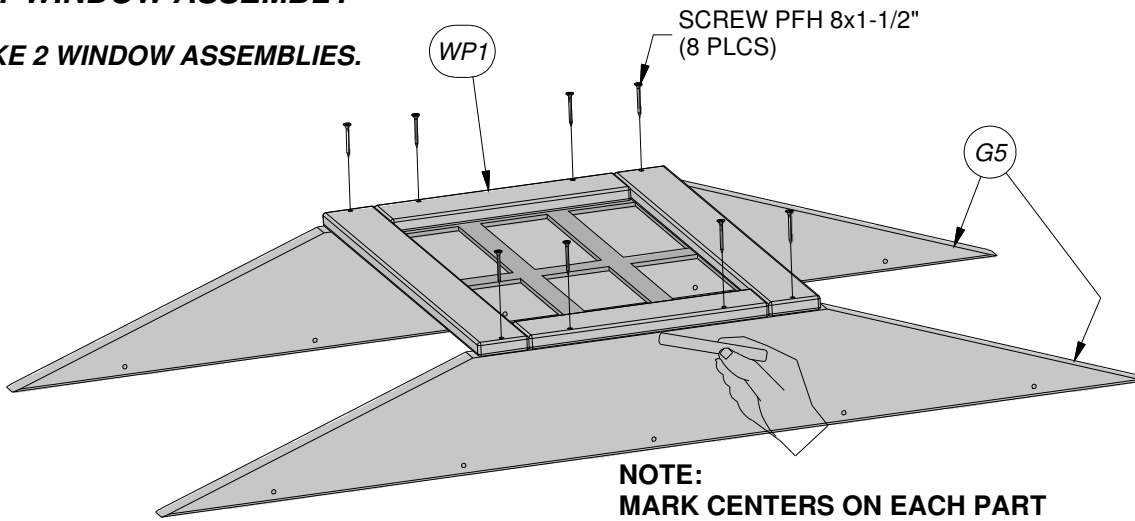
(4) **G5 - BAY WINDOW HEADER - W4L04659**
1"x5 1/4"x45 1/4" (24x134x1150)



(6) **WP1 - BAY WINDOW PANEL - W2A01496**

BAY WINDOW ASSEMBLY

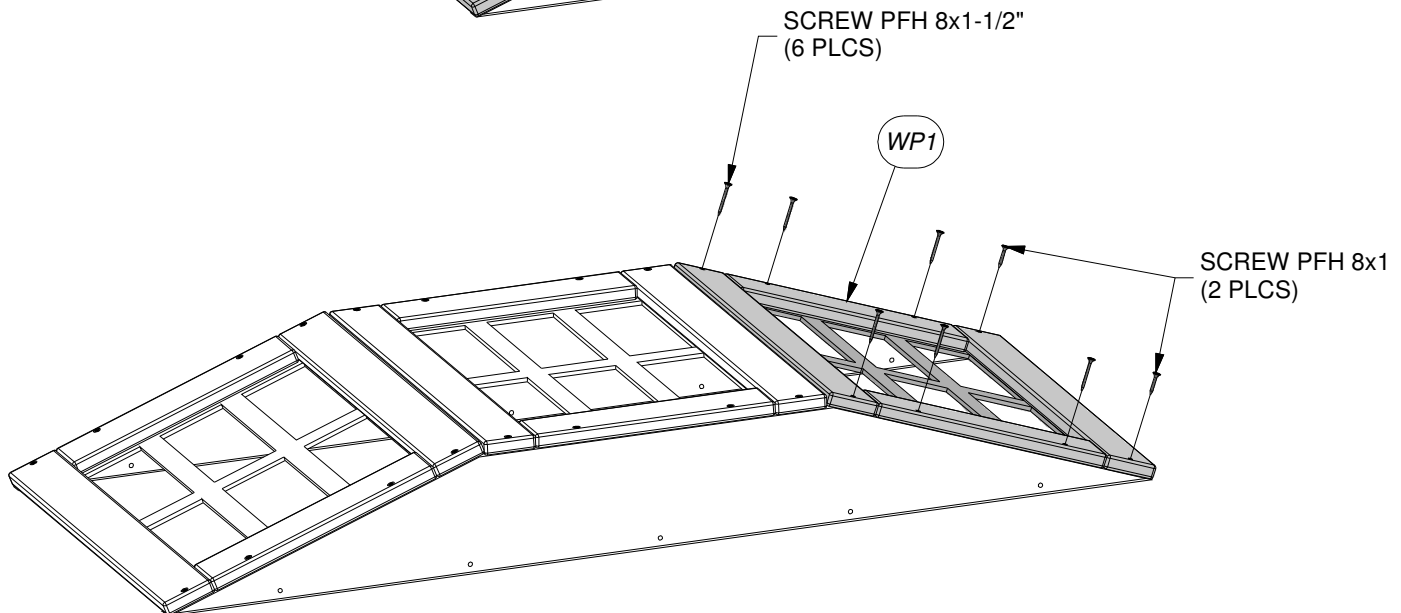
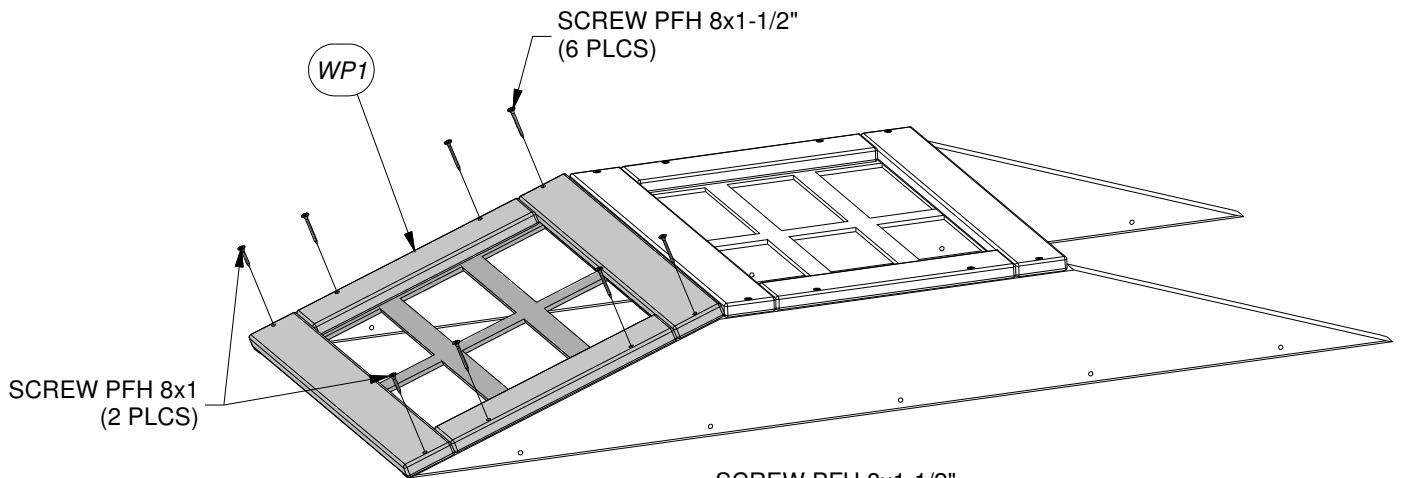
MAKE 2 WINDOW ASSEMBLIES.



NOTE:
MARK CENTERS ON EACH PART
THEN ALIGN PARTS ON MARKS.


SCREW PFH
(40) **8x1-1/2"**
H100086


SCREW PFH
(8) **8x1**
H100085



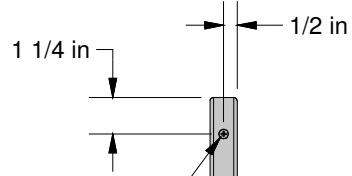


(4) H20 - PORCH ROOF RAFTER - W4L04655
1"x3 3/8"x24 1/2" (24x86x622)

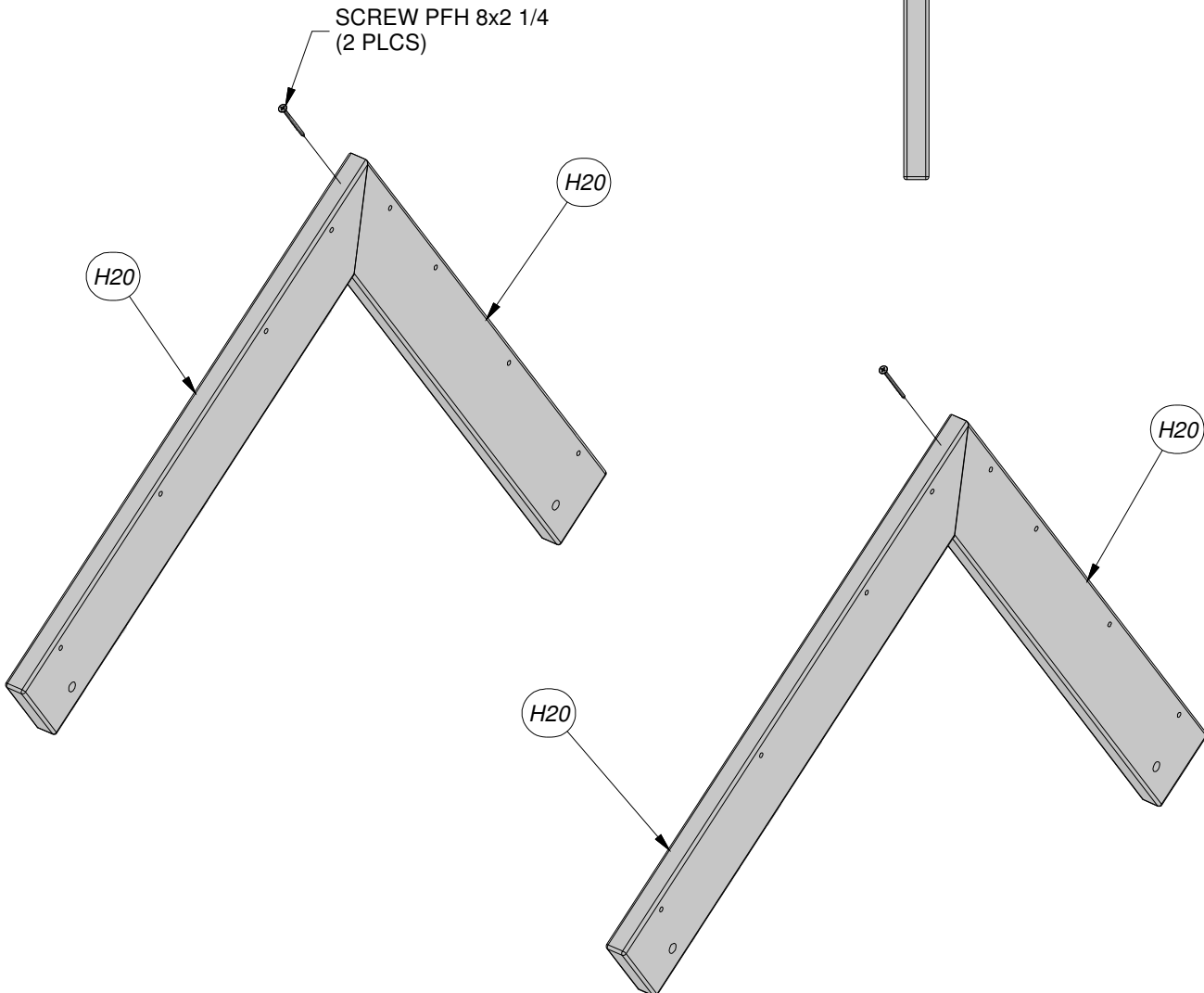
PORCH ROOF ASSEMBLY STEP 1



SCREW PFH
(2) 8x2 1/4
H100091



USING A 3/16" DRILL BIT, MARK AND DRILL A PILOT HOLE INTO 'H20' RAFTER TO PREVENT SPLITTING. ONLY DRILL THROUGH ONE RAFTER NOT BOTH.



- (1) **M19 - FRONT PORCH ROOF SUPPORT - W4L04658**
5/8"x3 3/8"x30 5/8" (16x86x779)

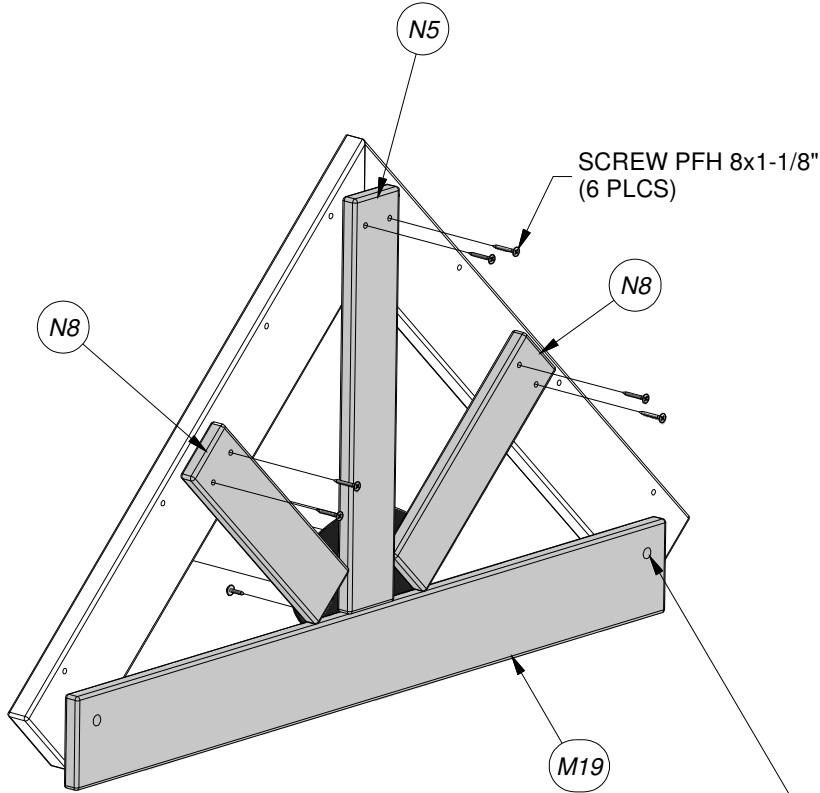


- (1) **HC - BYD ID TAG (LARGE) AGES 3-10 - A100164**

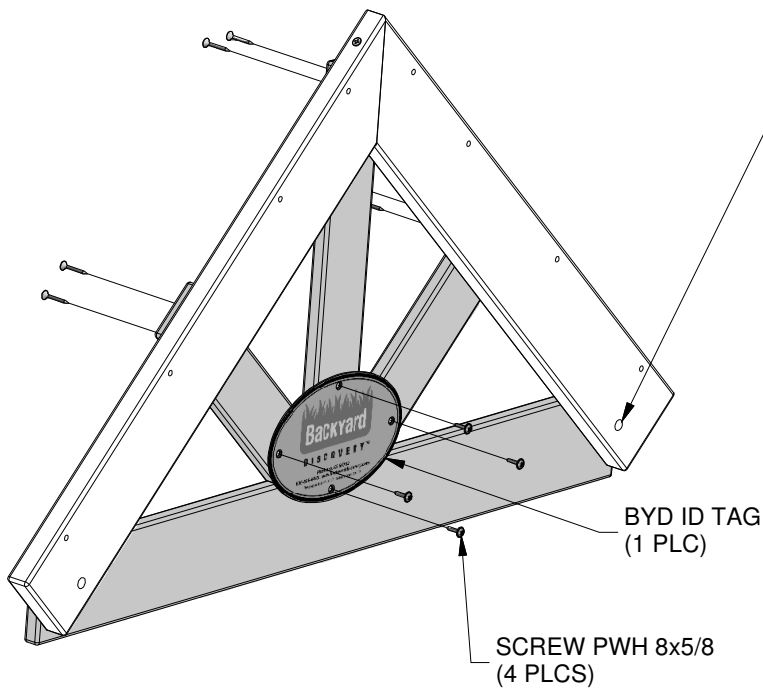
- (2) **N8 - FRONT PORCH GABLE TRIM - W4L04657**
5/8"x2 3/8"x9 1/2" (16x60x241)

- (1) **N5 - FRONT PORCH GABLE TRIM - W4L04656**
5/8"x2 3/8"x15" (16x60x381)

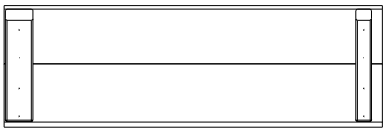
PORCH ROOF ASSEMBLY STEP 2



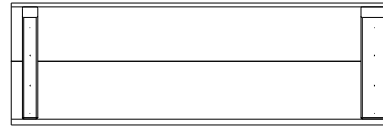
- SCREW PFH**
(6) 8x1-1/8"
H100088
- SCREW PWH**
(4) 8x5/8
H100128



**NOTE ENSURE THAT
HOLES ARE ALIGNED
(BOTH ENDS)**



(1) **RP1 - LEFT PORCH PEAK ROOF PANEL - W2A02630**
1 5/8"x10 1/2"x32 7/8" (42x268x834)

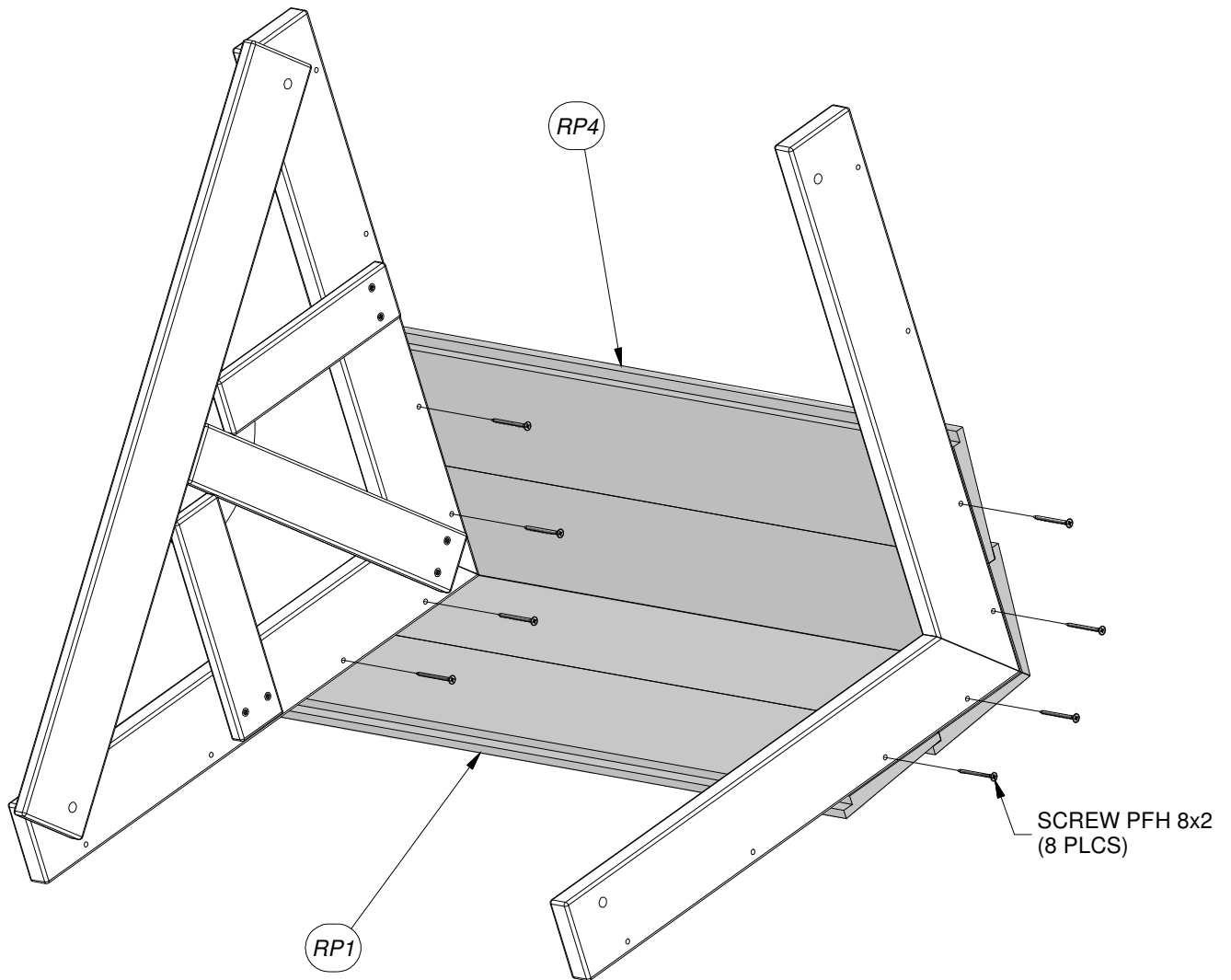


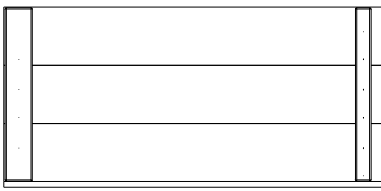
(1) **RP4 - RIGHT PORCH PEAK ROOF PANEL - W2A02631**
1 5/8"x10 1/2"x32 7/8" (42x268x834)

PORCH ROOF ASSEMBLY STEP 3

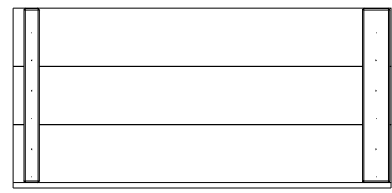


SCREW PFH
(8) 8x2
H100111





(1) **RP2 - LEFT PORCH ROOF PANEL - W2A02628**
1 5/8"x15 5/8"x32 7/8" (42x396x834)

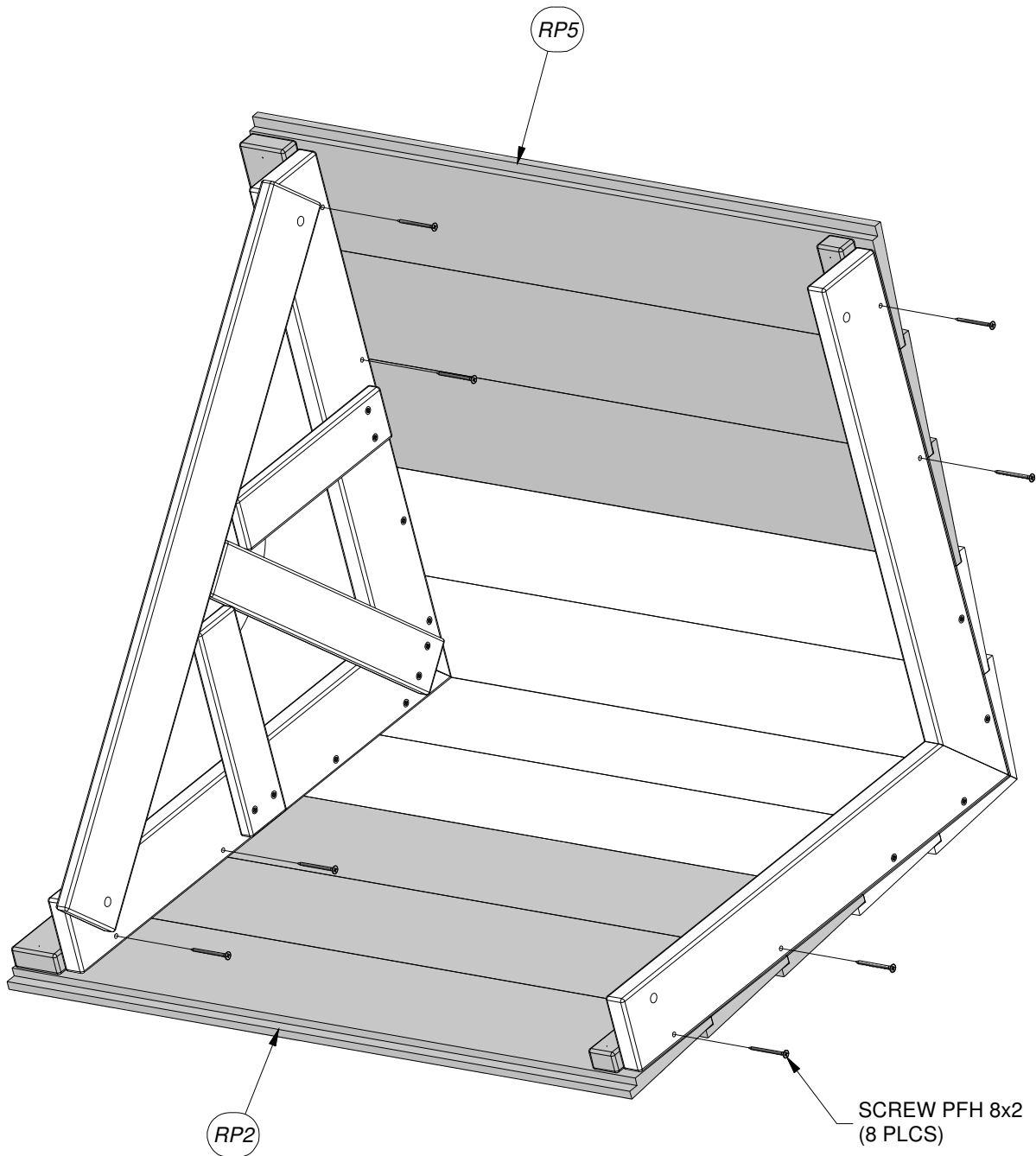


(1) **RP5 - RIGHT PORCH ROOF PANEL - W2A02629**
1 5/8"x15 5/8"x32 7/8" (42x396x834)

PORCH ROOF ASSEMBLY STEP 4

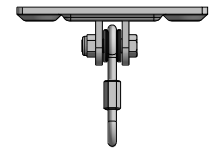


SCREW PFH
(8) 8x2
H100111

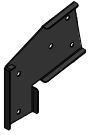




(1) **A50 - SWING BEAM - W4L04660**
3 3/8"x5 1/4"x89 1/2" (86x134x2274)



(4) **SWING HANGER - A4M00505**

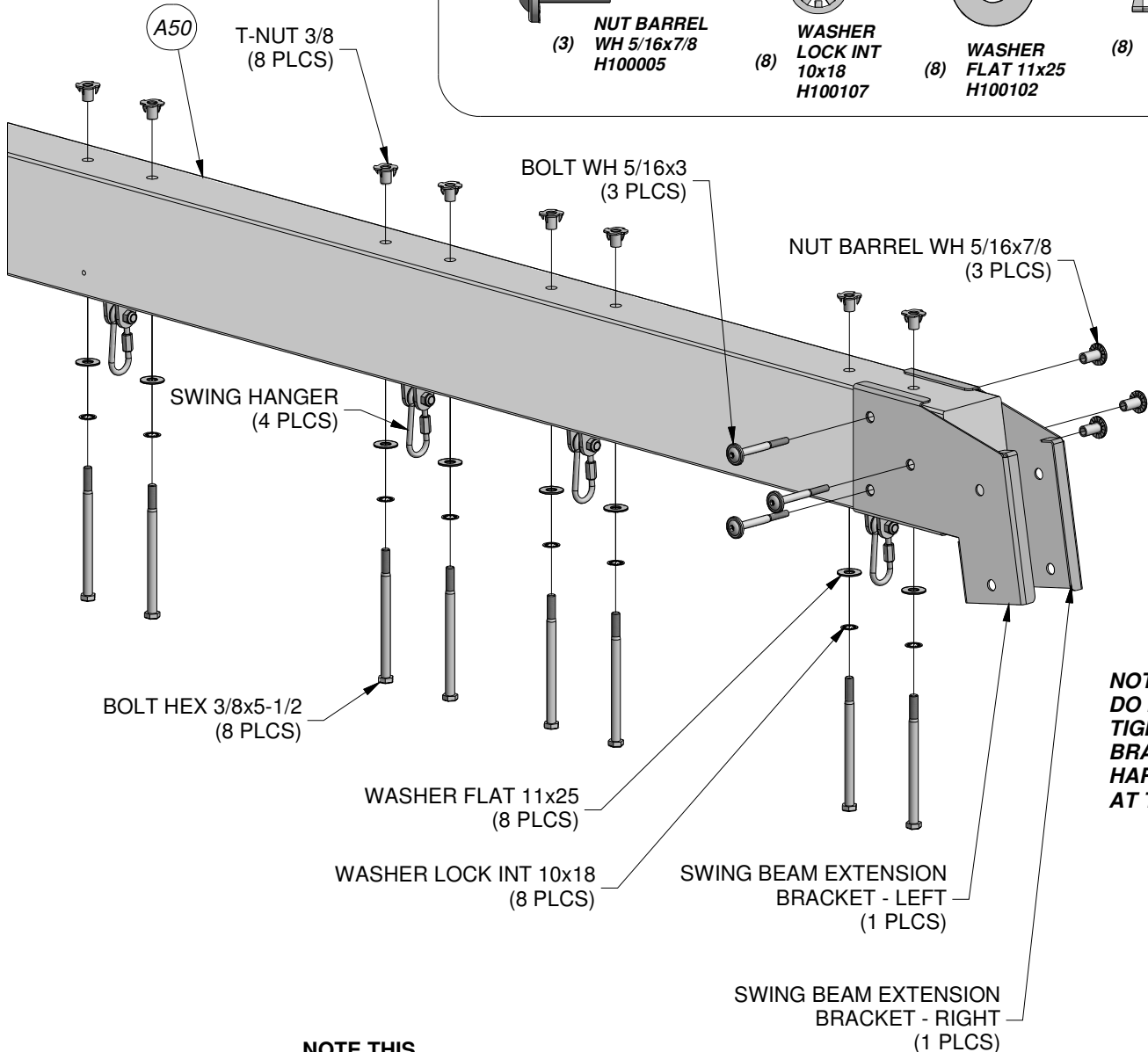
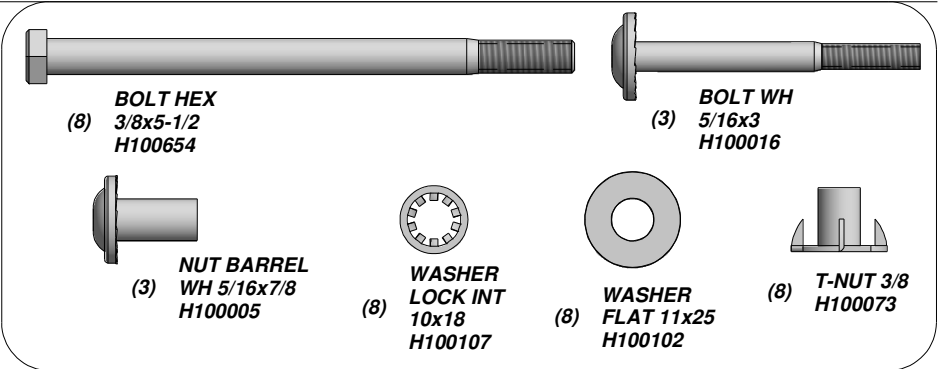


(1) - **SWING BEAM EXTENSION BRACKET-LEFT - A100325**



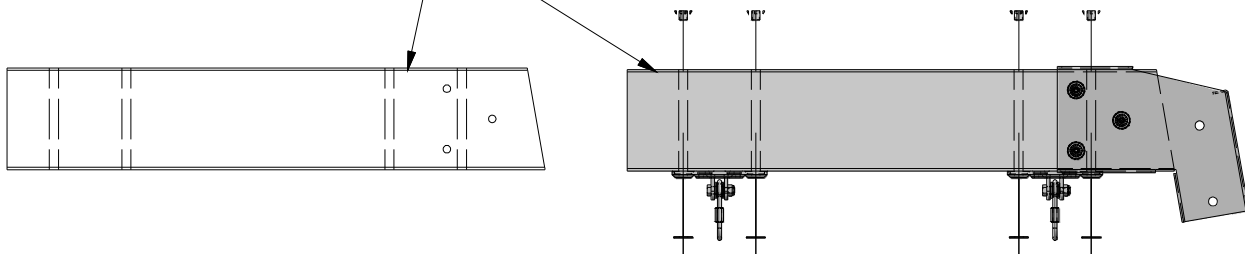
(1) - **SWING BEAM EXTENSION BRACKET-RIGHT - A100326**

SWING BEAM ASSEMBLY STEP 1



**NOTE:
DO NOT
TIGHTEN
BRACKET
HARDWARE
AT THIS TIME.**

**NOTE THIS
EDGE UPWARD**



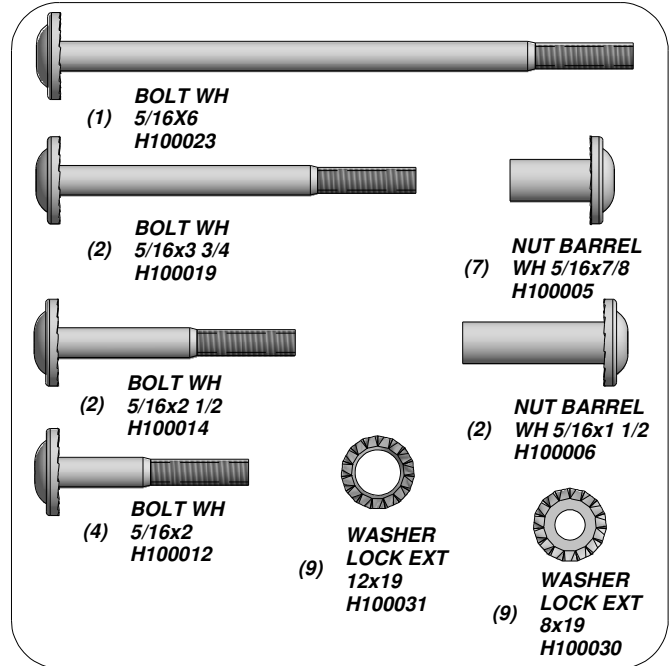
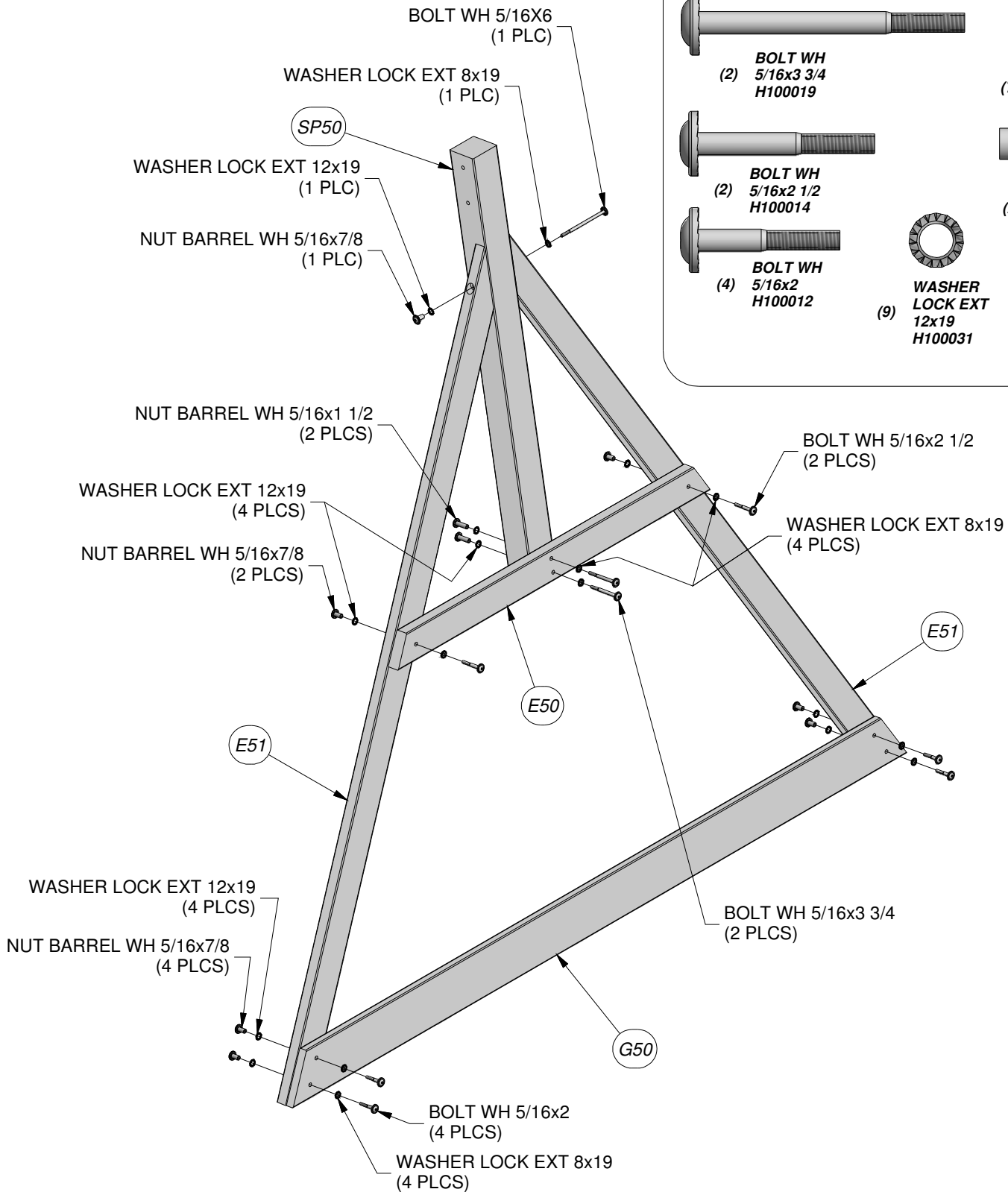
(1) **G50 - GROUND BOARD - W100947**
1" x 5 1/4" x 86 3/4" (24x134x2202)

(2) **E51 - ANGLE BRACE - W100948**
1 3/8" x 3 3/8" x 88 3/4" (36x86x2254)

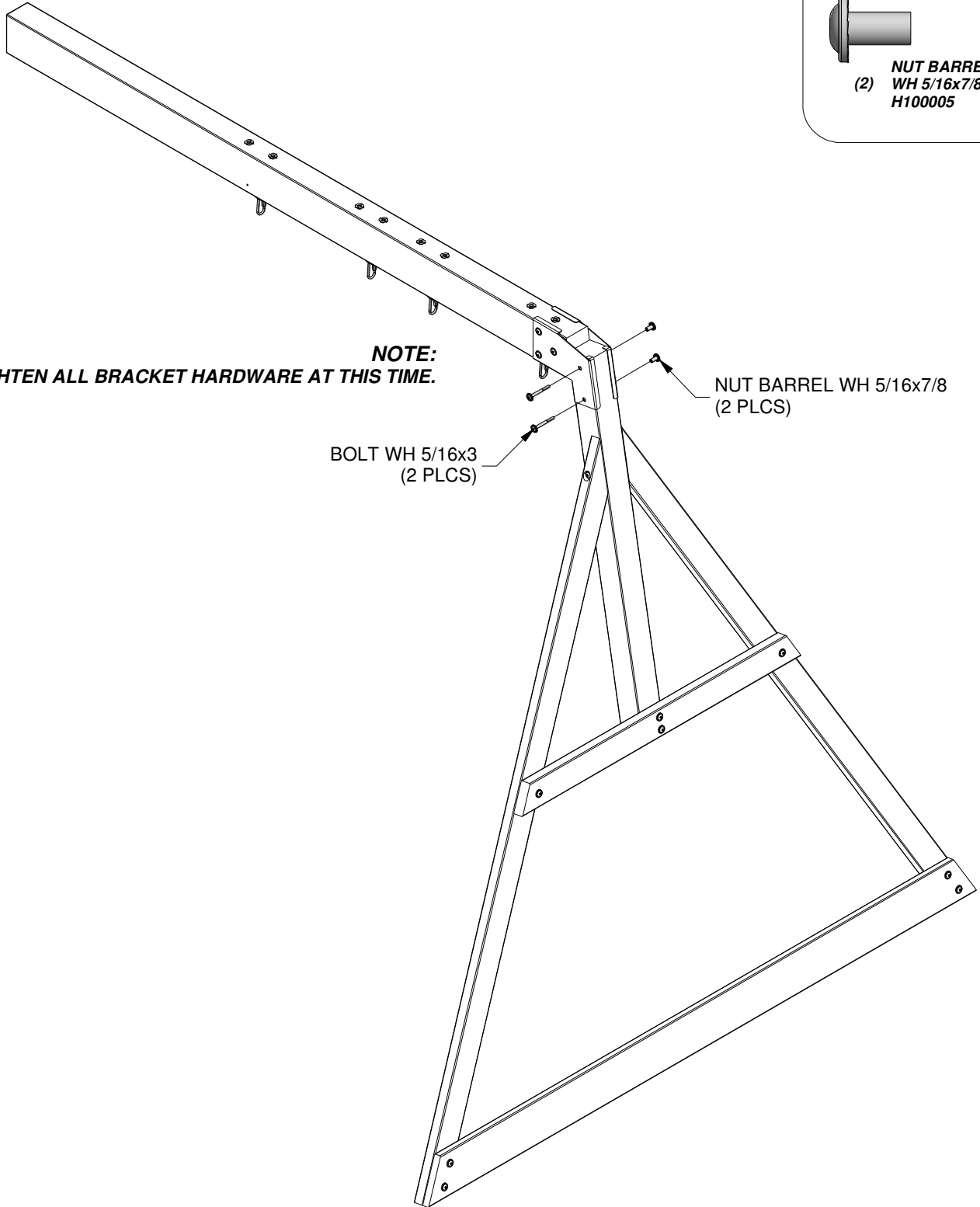
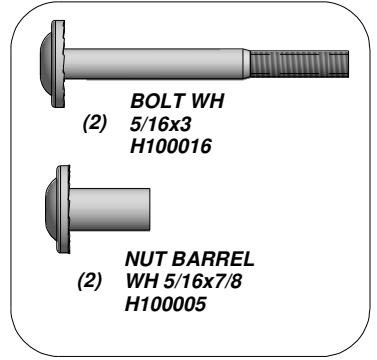
(1) **SP50 - SWING BEAM SUPPORT - W103545**
3 3/8" x 3 3/8" x 48 3/8" (86x86x1228)

(1) **E50 - END SUPPORT - W100949**
1 3/8" x 3 3/8" x 44 1/8" (36x86x1120)

SWING BEAM ASSEMBLY STEP 2



**SWING BEAM ASSEMBLY
STEP 3**





(2) **E3 - CROWS NEST FLOOR RAIL - W4L11785**
1 3/8"x3 3/8"x38" (36x86x964)

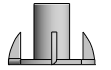


(1) **H19 - CROWS NEST FLOOR RAIL - W4L04663**
1"x3 3/8"x27" (24x86x686)

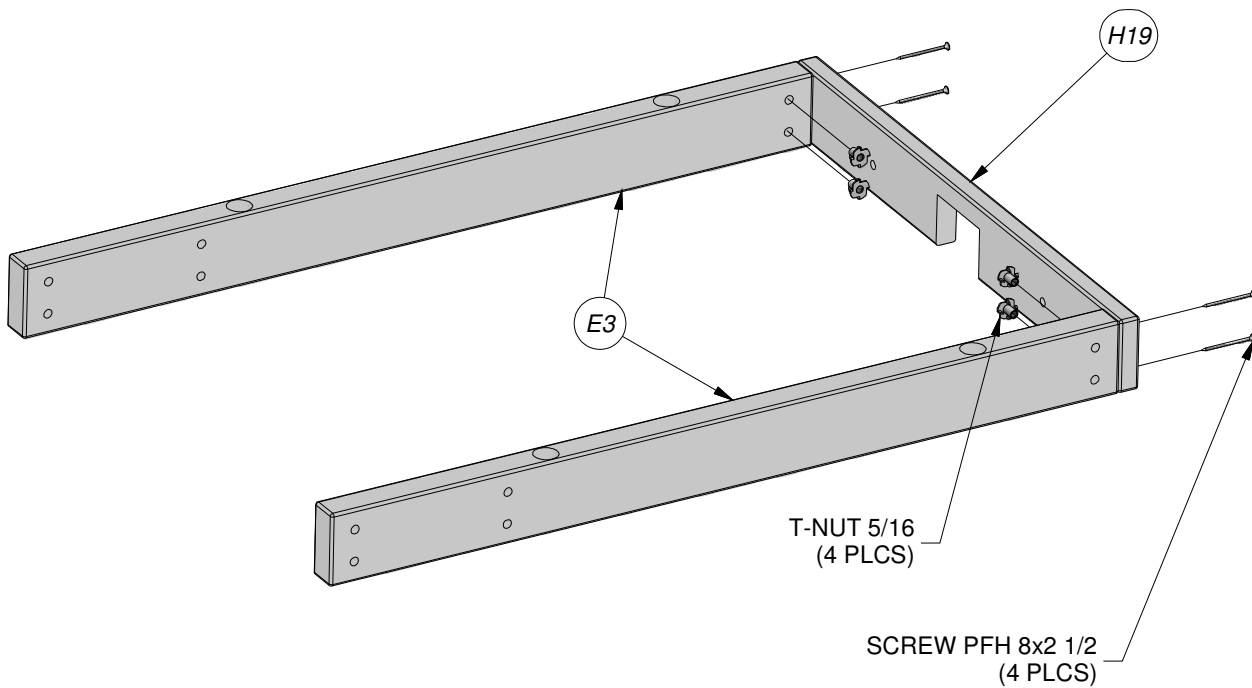
CROWS NEST DECK ASSEMBLY STEP 1

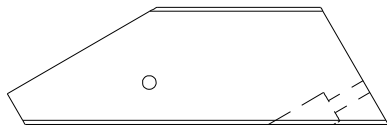


SCREW PFH
(4) 8x2 1/2
H100090

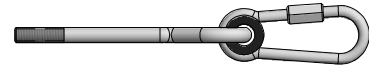


(4) **T-NUT 5/16**
H100074



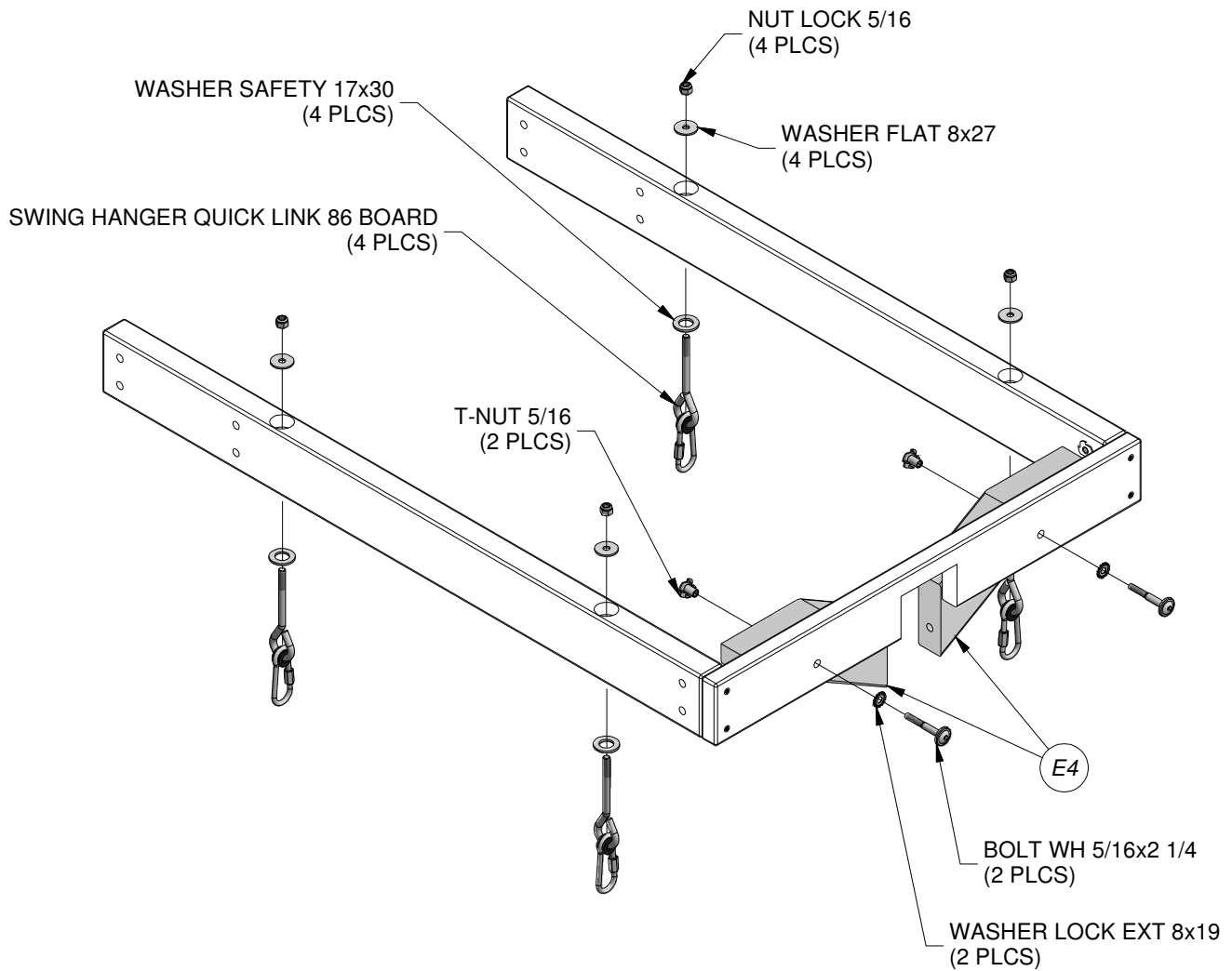
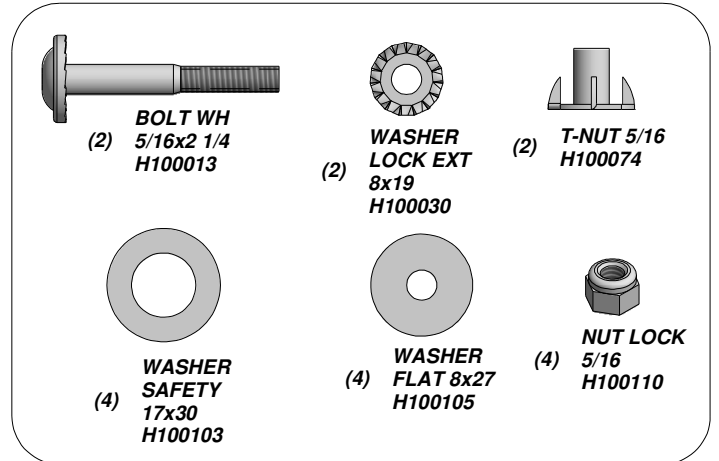


(2) **E4 - CROWS NEST DECK BRACE - W4L04662**
 1 3/8"x3 3/8"x11" (36x86x280)



(4) - **SWING HANGER QUICK LINK 86 BOARD - H100098**

CROWS NEST DECK ASSEMBLY
STEP 2



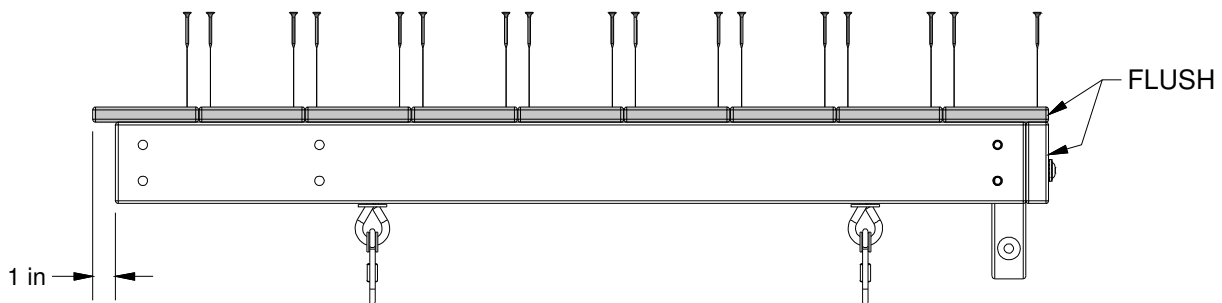
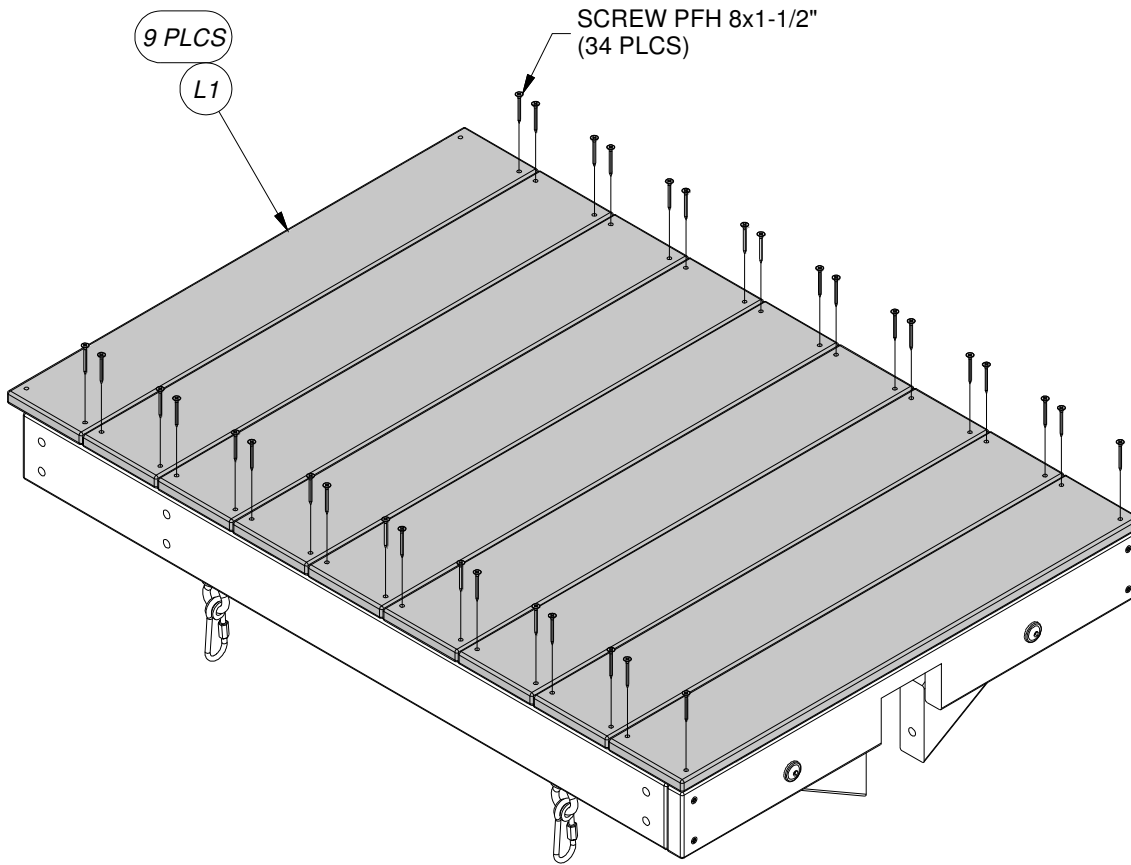


(9) L1 - CROWS NEST FLOOR BOARD - W4L04664
5/8"x4 3/8"x27" (16x112x686)

CROWS NEST DECK ASSEMBLY STEP 3



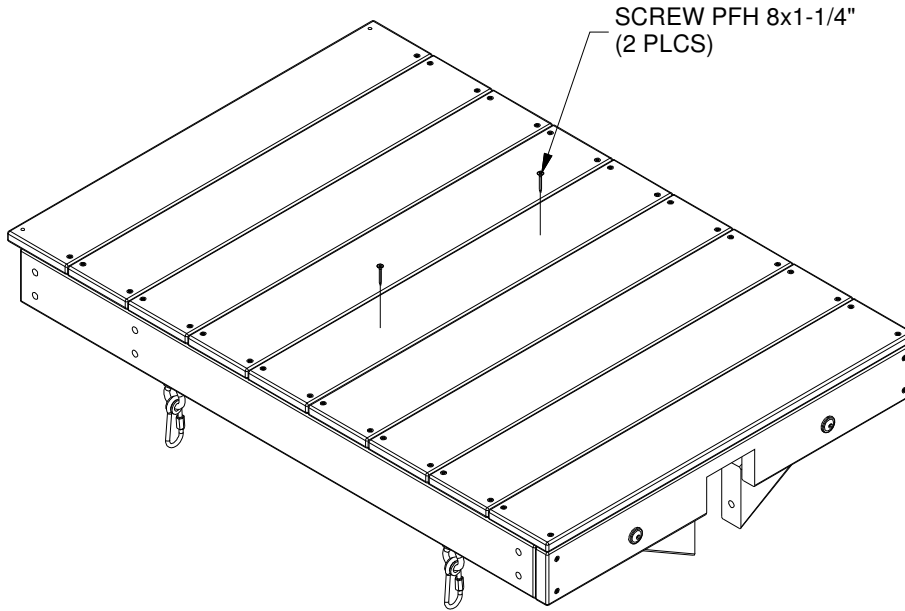
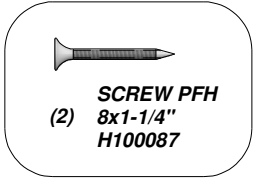
SCREW PFH
(34) 8x1-1/2"
H100086



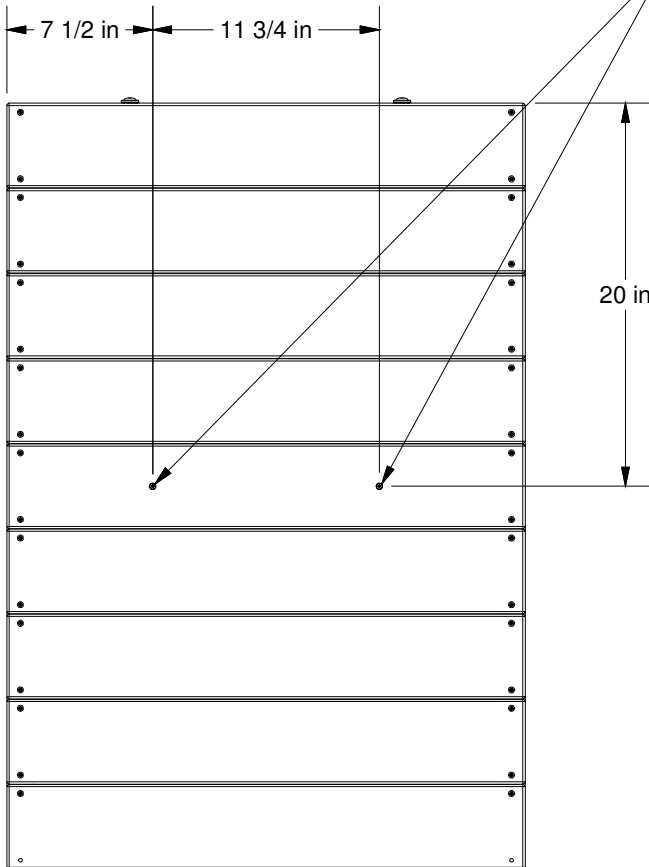


(1) **H21 - CROWS NEST FLOOR SUPPORT - W4L04665**
1"x3 3/8"x24 1/8" (24x86x614)

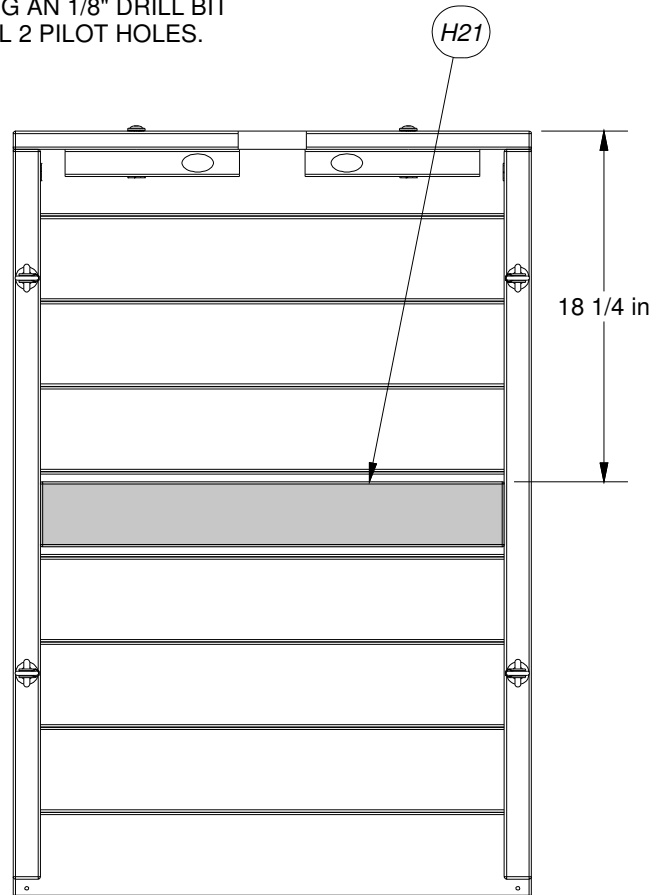
CROWS NEST DECK ASSEMBLY
STEP 4



TIP
MARK LOCATIONS SHOWN.
USING AN 1/8" DRILL BIT
DRILL 2 PILOT HOLES.



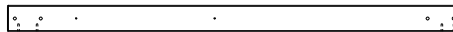
TOP VIEW



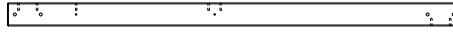
BOTTOM VIEW



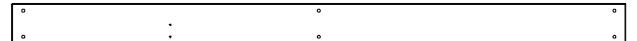
(1) **B1 - TOWER LEG - W4L04562**
3"x3"x89 1/2" (76x76x2274)



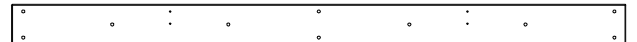
(1) **E1 - TOWER LEG - W4L04563**
1 3/8"x3 3/8"x59" (36x86x1500)



(1) **B3 - TOWER LEG - W4L04564**
3"x3"x59" (76x76x1500)



(1) **G7 - BOTTOM FLOOR RAIL - W4L11775**
1"x5 1/4"x80" (24x134x2032)

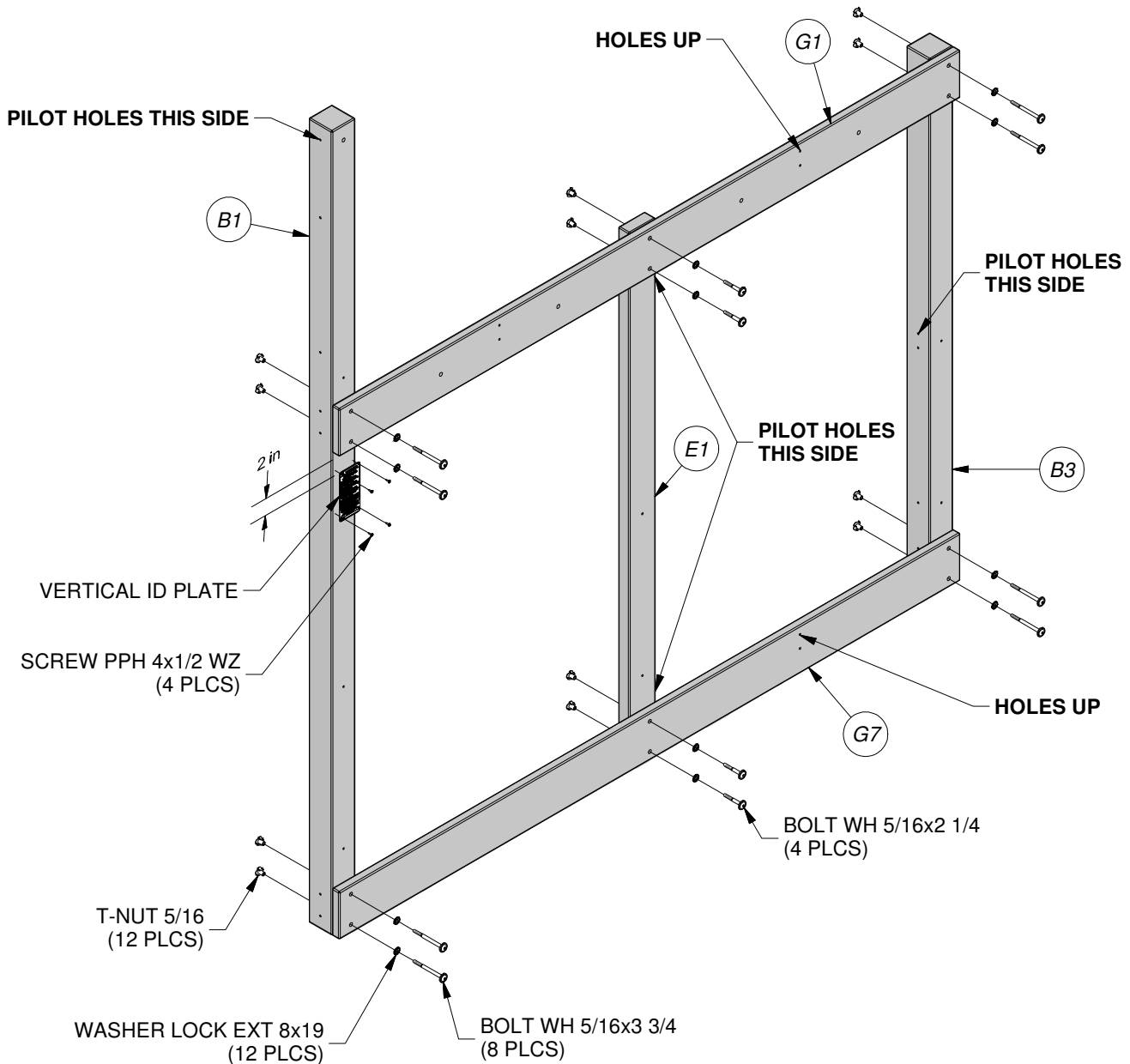
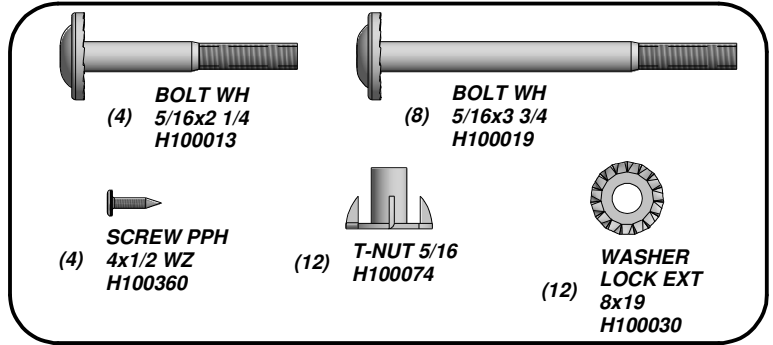


(1) **G1 - TOP FLOOR RAIL - W4L04566**
1"x5 1/4"x80" (24x134x2032)



(1) - **VERTICAL ID PLATE - A4M00520**

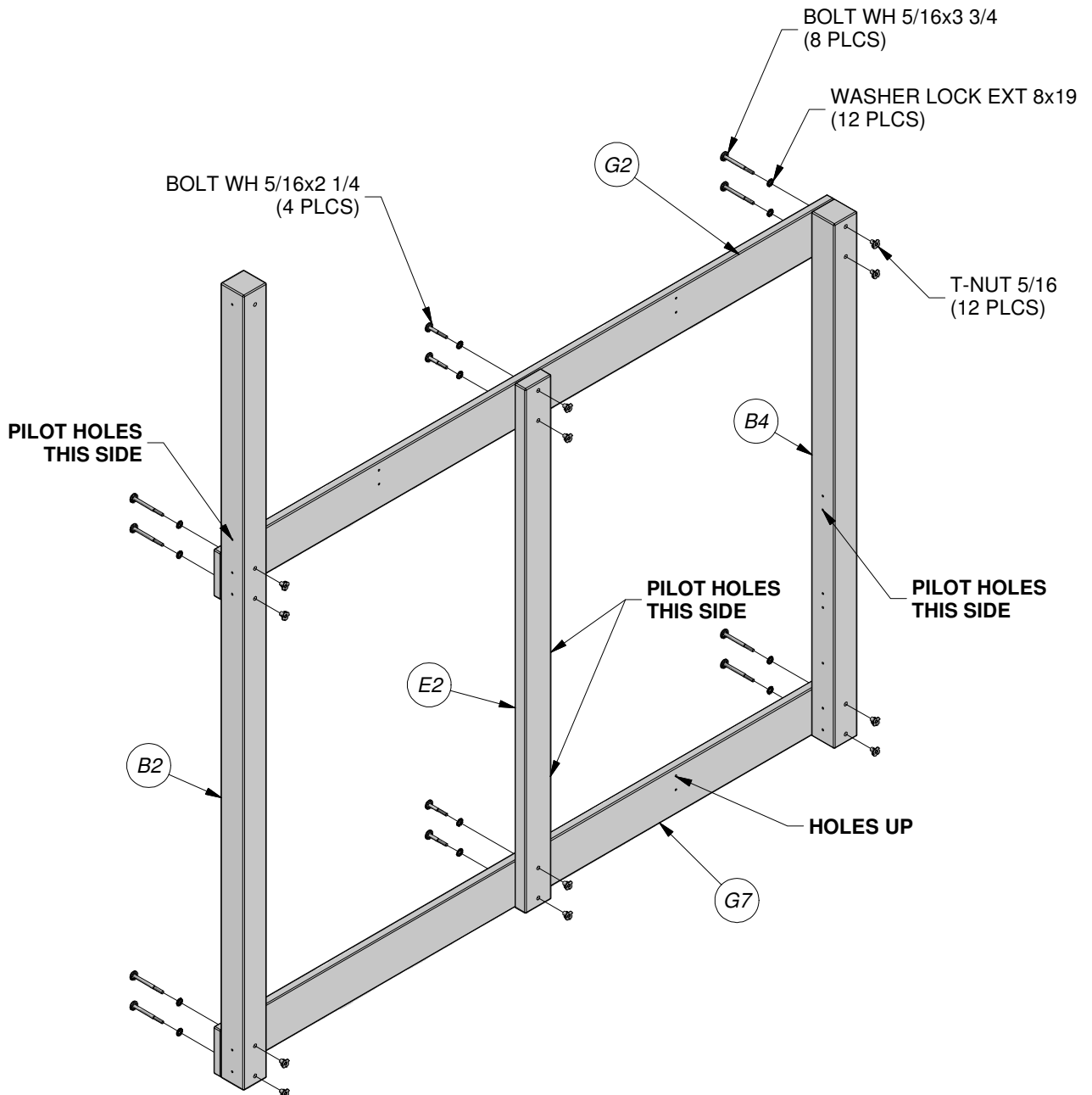
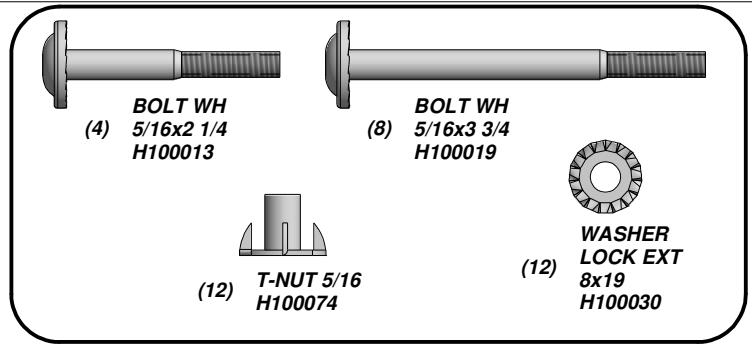
FORT ASSEMBLY STEP 1

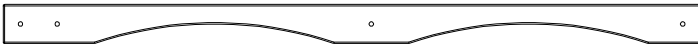


- (1) **B2 - TOWER LEG - W4L04561**
3"x3"x89 1/2" (76x76x2274)
- (1) **E2 - TOWER LEG - W4L04567**
1 3/8"x3 3/8"x59" (36x86x1500)
- (1) **B4 - TOWER LEG - W4L04568**
3"x3"x59" (76x76x1500)

- (1) **G7 - BOTTOM FLOOR RAIL - W4L11775**
1"x5 1/4"x80" (24x134x2032)
- (1) **G2 - TOP FLOOR RAIL - W4L04569**
1"x5 1/4"x80" (24x134x2032)

**FORT ASSEMBLY
STEP 2**





(1) **H28 - FRONT WALL RAIL - W4L11774**
1"x3 3/8"x60 1/2" (24x86x1537)



(1) **G3 - FLOOR RAIL - W4L04571**
1"x5 1/4"x60 1/2" (24x134x1537)



(1) **G6 - FLOOR RAIL - W4L11777**
1"x5 1/4"x60 1/2" (24x134x1537)

FORT ASSEMBLY STEP 3



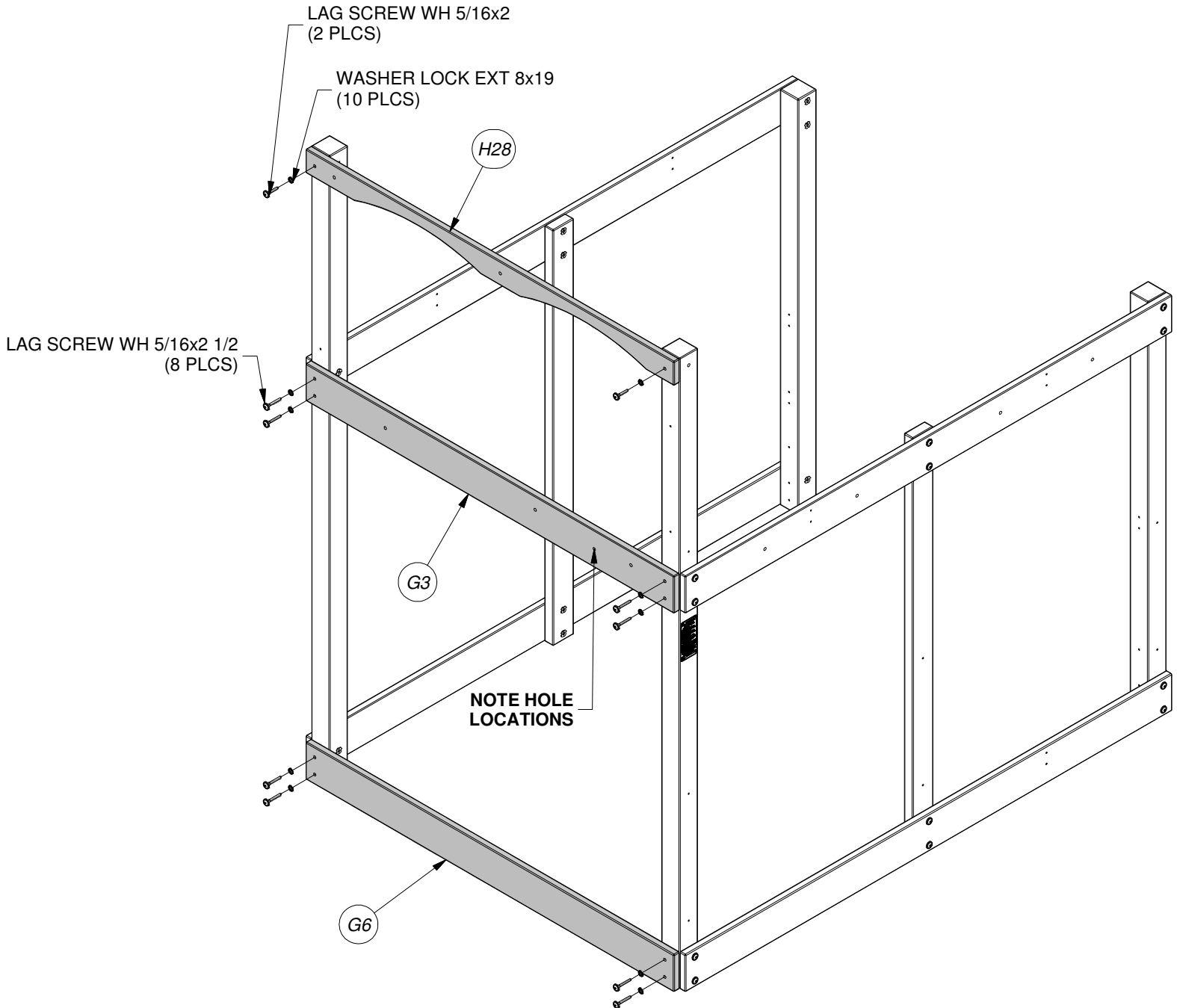
LAG SCREW
(8) WH 5/16x2 1/2
H100028



LAG SCREW
(2) WH 5/16x2
H100027



**WASHER
LOCK EXT**
(10) 8x19
H100030



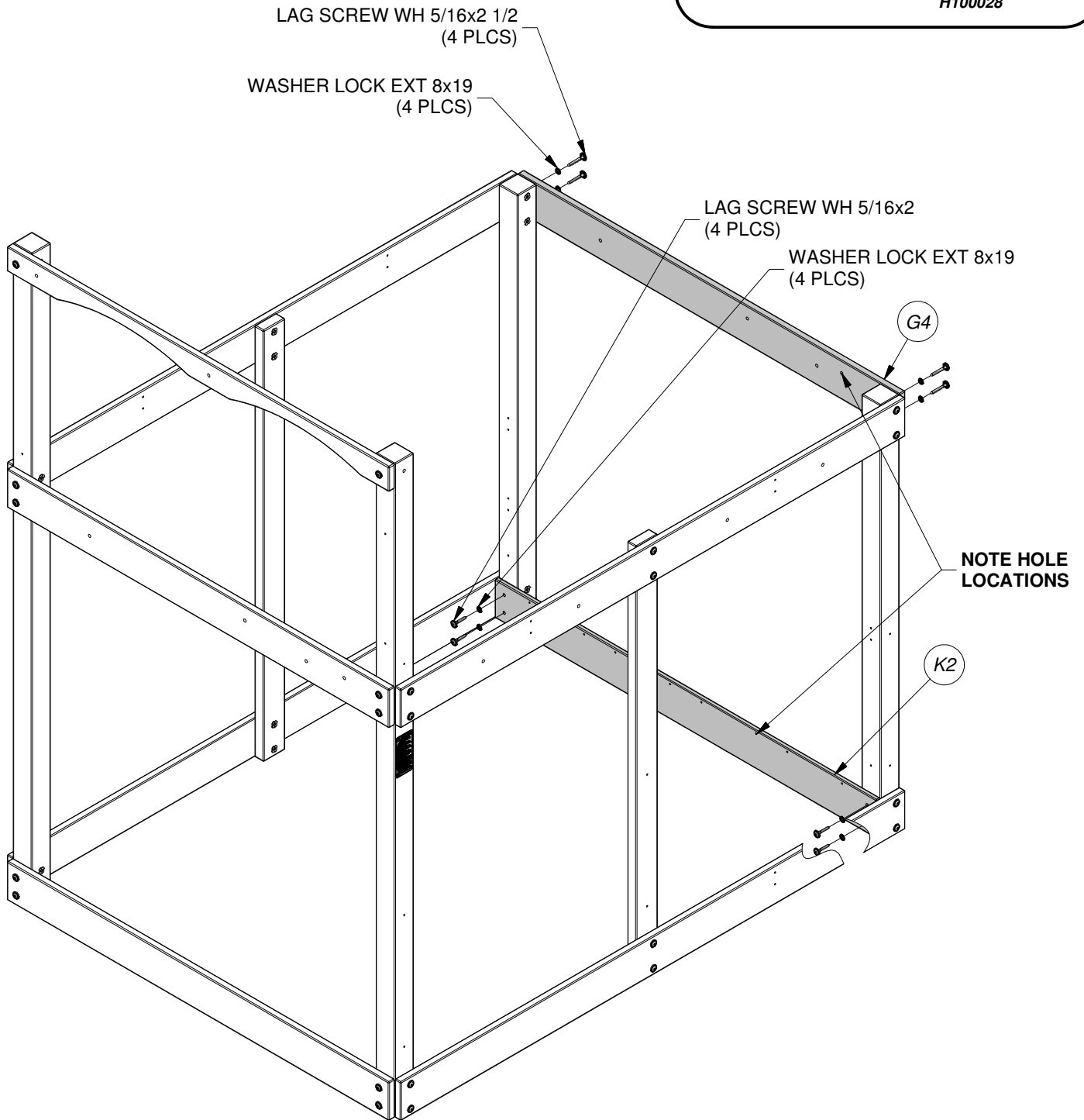
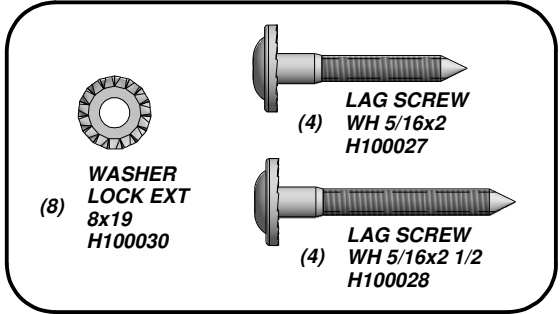


(1) **G4 - FLOOR RAIL - W4L04675**
1"x5 1/4"x60 1/2" (24x134x1537)



(1) **K2 - FLOOR RAIL - W4L04570**
5/8"x5 1/4"x60 1/2" (16x134x1537)

FORT ASSEMBLY STEP 4



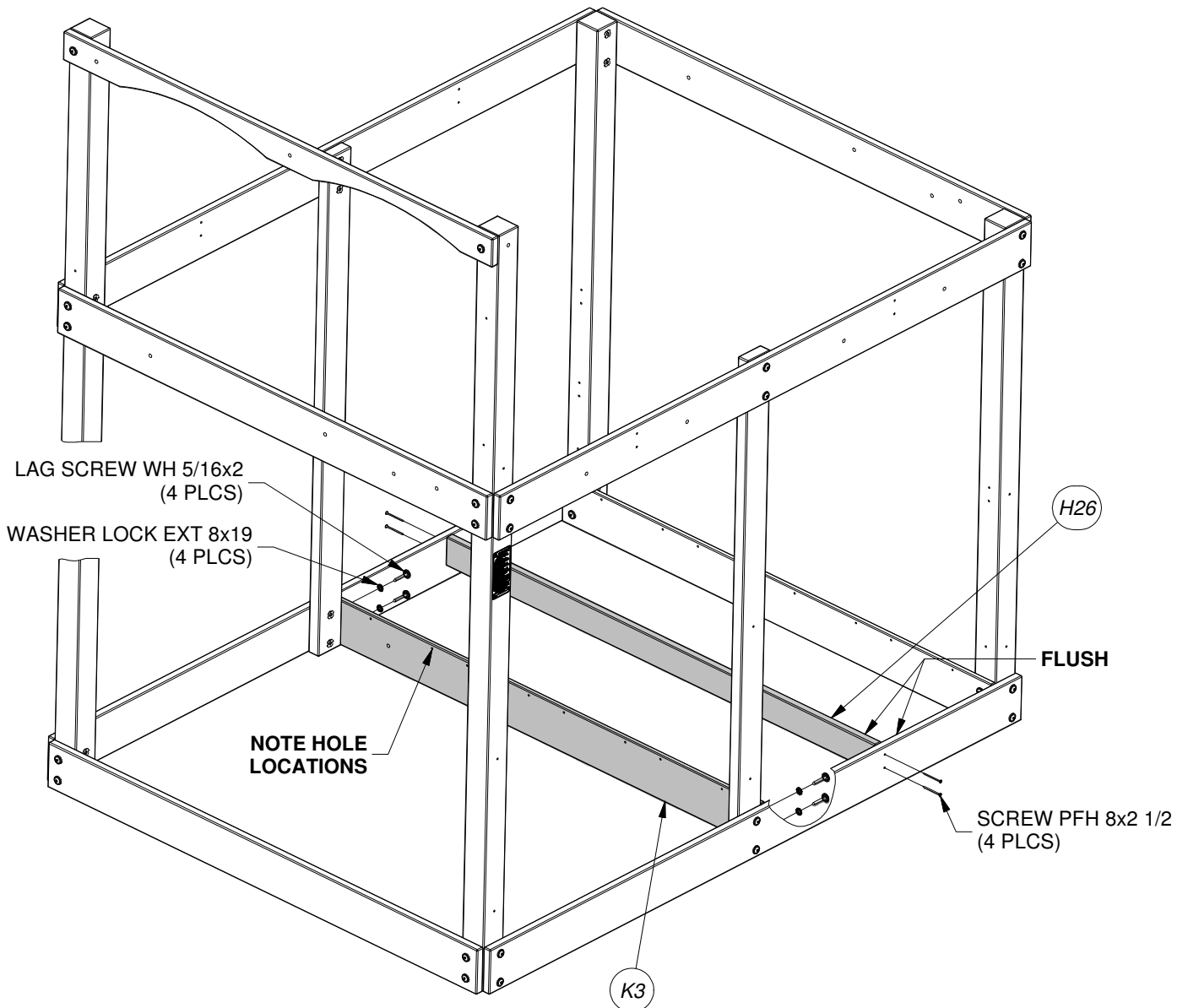
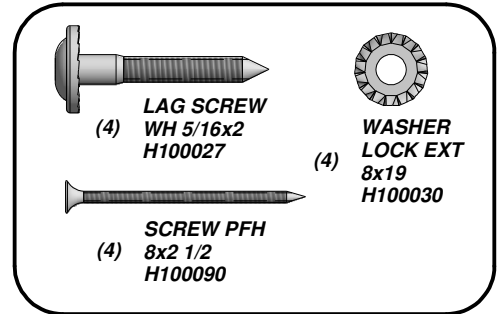


(1) **K3 - FLOOR RAIL - W4L04572**
5/8"x5 1/4"x60 1/2" (16x134x1537)



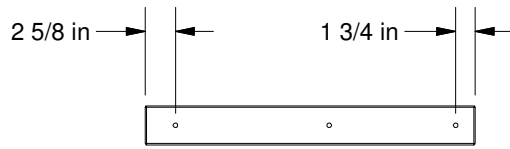
(1) **H26 - FLOOR JOIST - W4L04573**
1"x3 3/8"x60 1/2" (24x86x1537)

FORT ASSEMBLY STEP 5



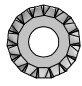



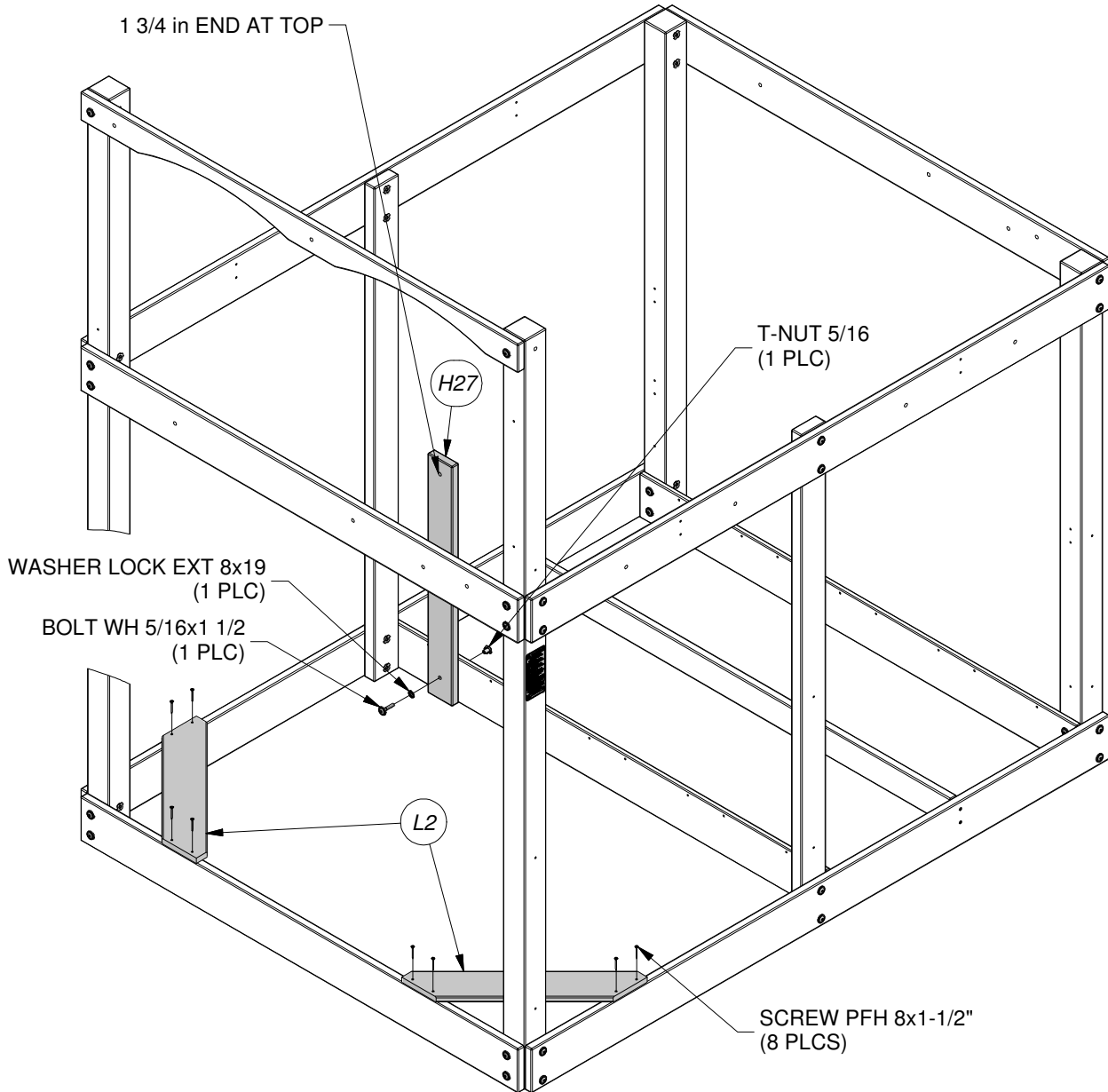
(2) **L2 - SAND BOX SEAT - W4L11776**
 5/8"x4 3/8"x24" (16x112x610)

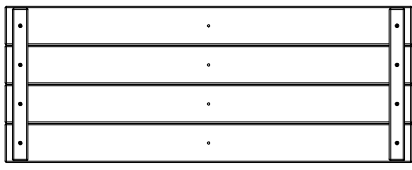
(1) **H27 - PICNIC TABLE SUPPORT - W4L04574**
 1"x3 3/8"x28 5/8" (24x86x728)



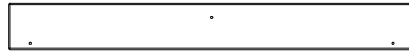
**FORT ASSEMBLY
 STEP 6**

	
(8) SCREW PFH 8x1-1/2" H100086	(1) BOLT WH 5/16x1 1/2 H100010
	
(1) WASHER LOCK EXT 8x19 H100030	(1) T-NUT 5/16 H100074



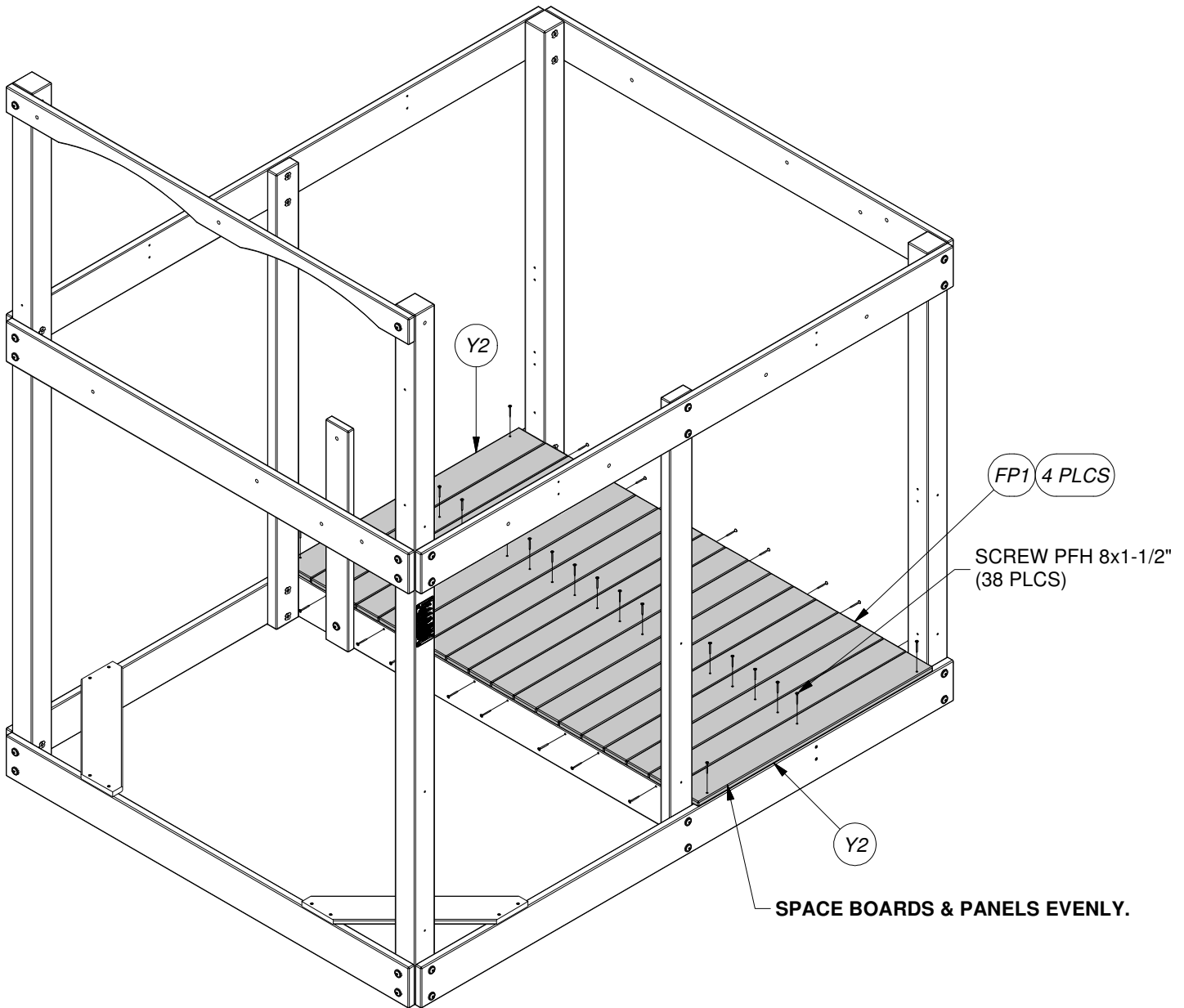
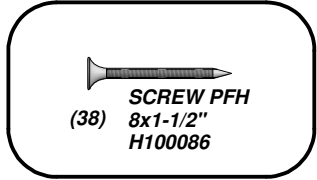


(4) **FP1 - BOTTOM FLOOR PANEL - W2A01485**
1 5/8"x13 1/2"x35 3/8" (40x344x897)



(2) **Y2 - BOTTOM FLOOR BOARD - W4L04577**
5/8"x4"x35 1/4" (16x102x895)

FORT ASSEMBLY STEP 7



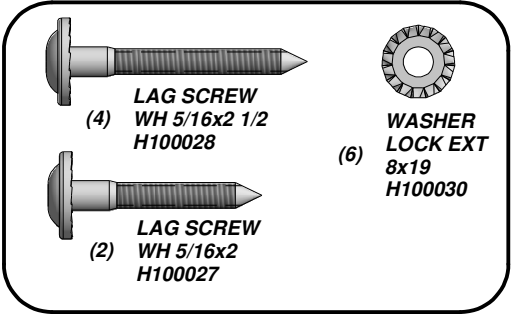


(1) M3 - BOTTOM WALL RAIL - W4L04579
5/8"x3 3/8"x60 1/2" (16x86x1537)

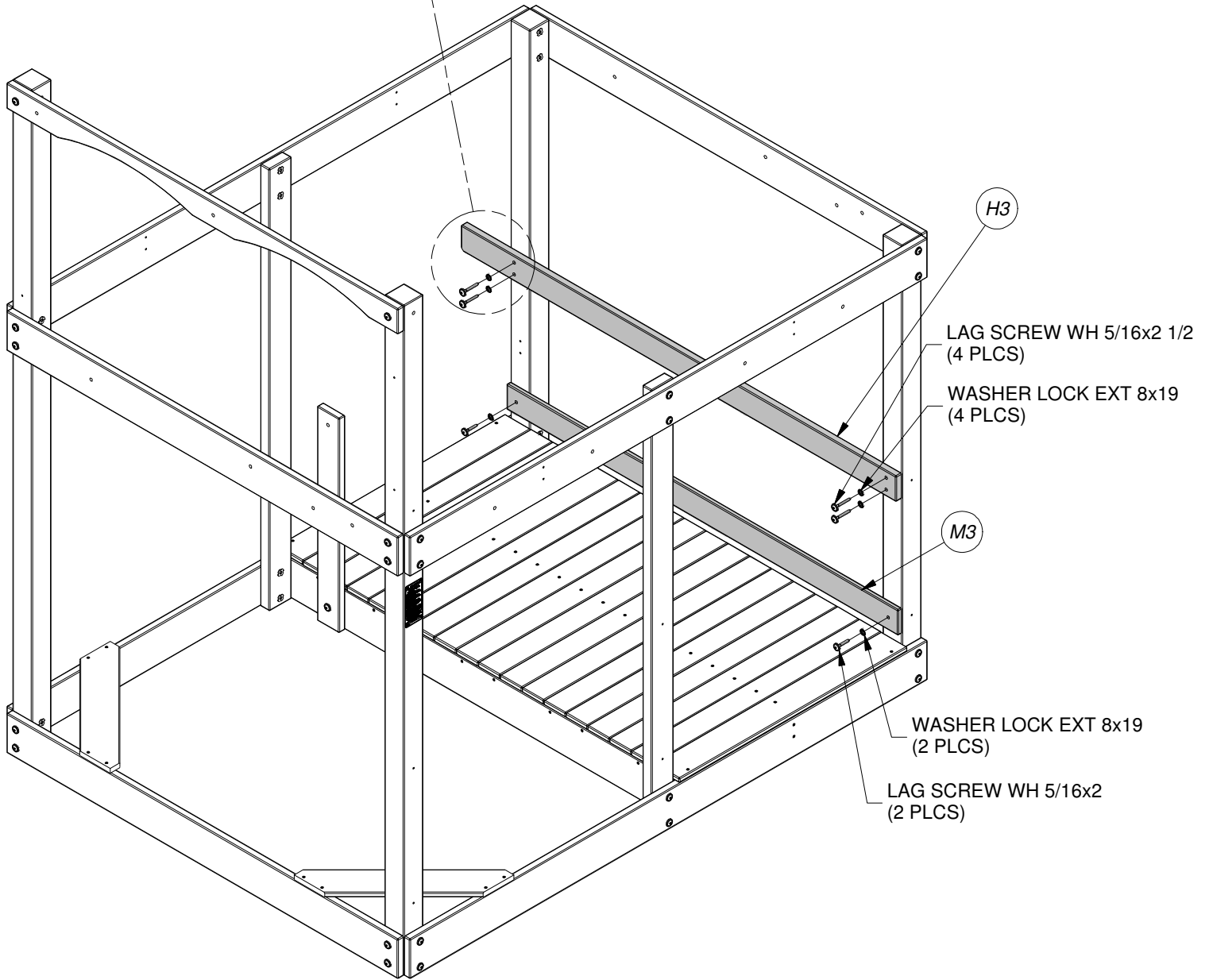
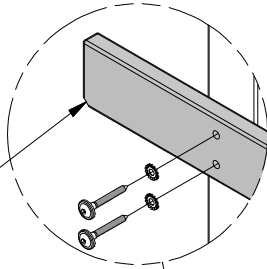


(1) H3 - PICNIC TABLE RAIL - W4L04578
1"x3 3/8"x67 1/4" (24x86x1708)

FORT ASSEMBLY STEP 8



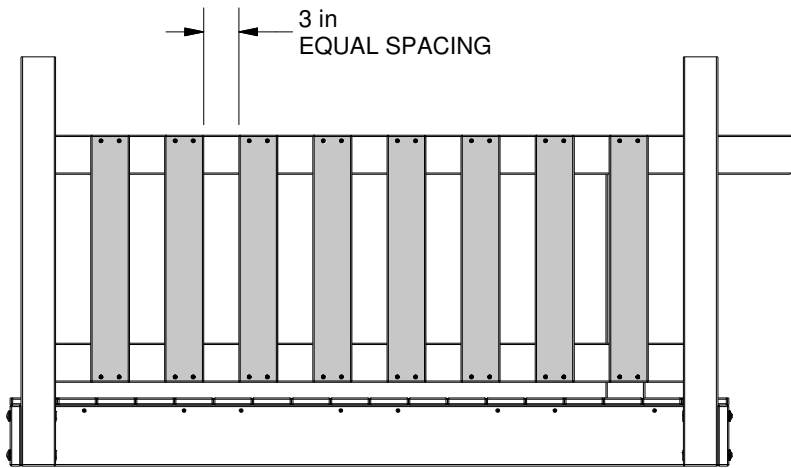
NOTE ANGLE CUT
FACES DOWNWARD




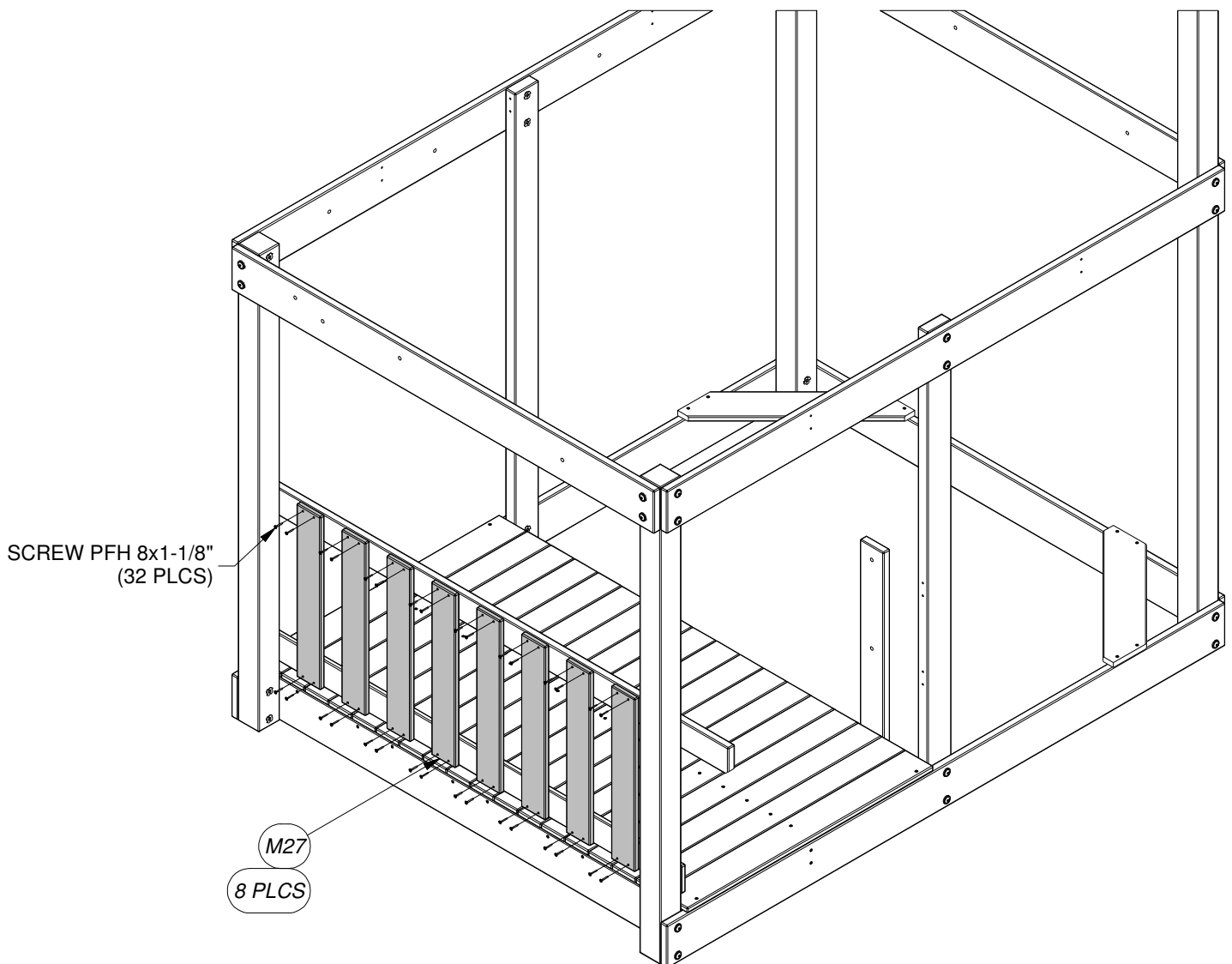


(8) **M27 - BOTTOM WALL BOARD - W4L04580**
5/8"x3 3/8"x21 3/8" (16x86x544)

FORT ASSEMBLY
STEP 9




SCREW PFH
(32) 8x1-1/8"
H100088





(2) **M2 - BOTTOM WALL RAIL - W4L04596**
5/8"x3 3/8"x80" (16x86x2032)

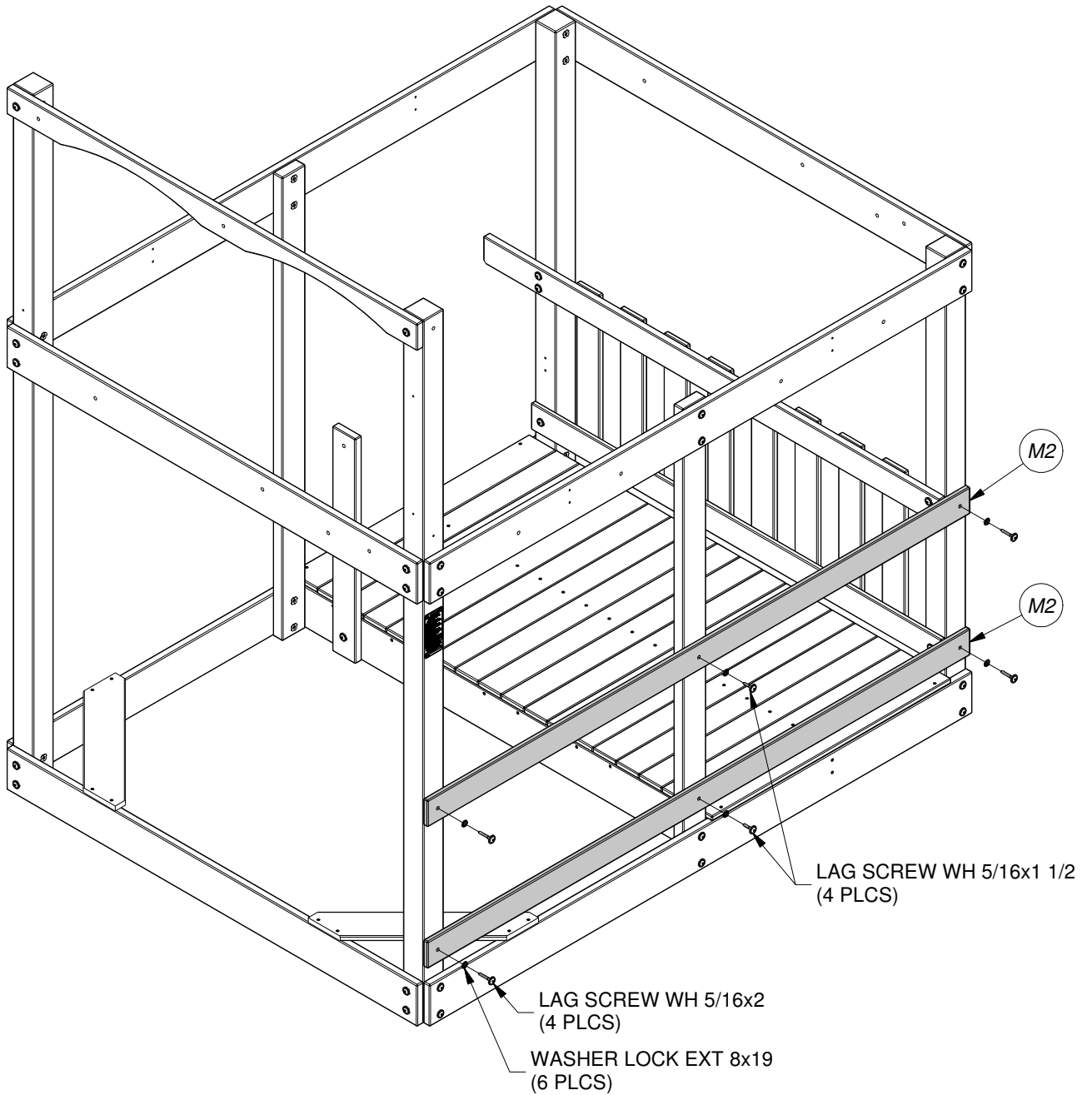
FORT ASSEMBLY
STEP 10



WASHER
LOCK EXT
(6) 8x19
H100030



(6) **LAG SCREW**
WH 5/16x2
H100027



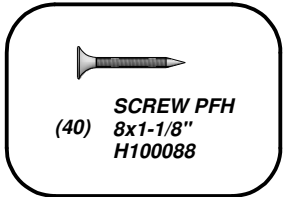
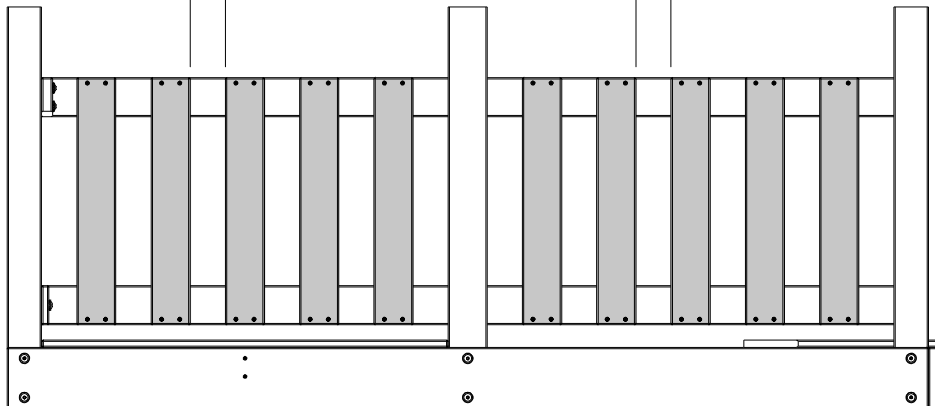


(10) M27 - BOTTOM WALL BOARD - W4L04580
5/8"x3 3/8"x21 3/8" (16x86x544)

**FORT ASSEMBLY
STEP 11**

3 1/8 in
EQUAL
SPACING

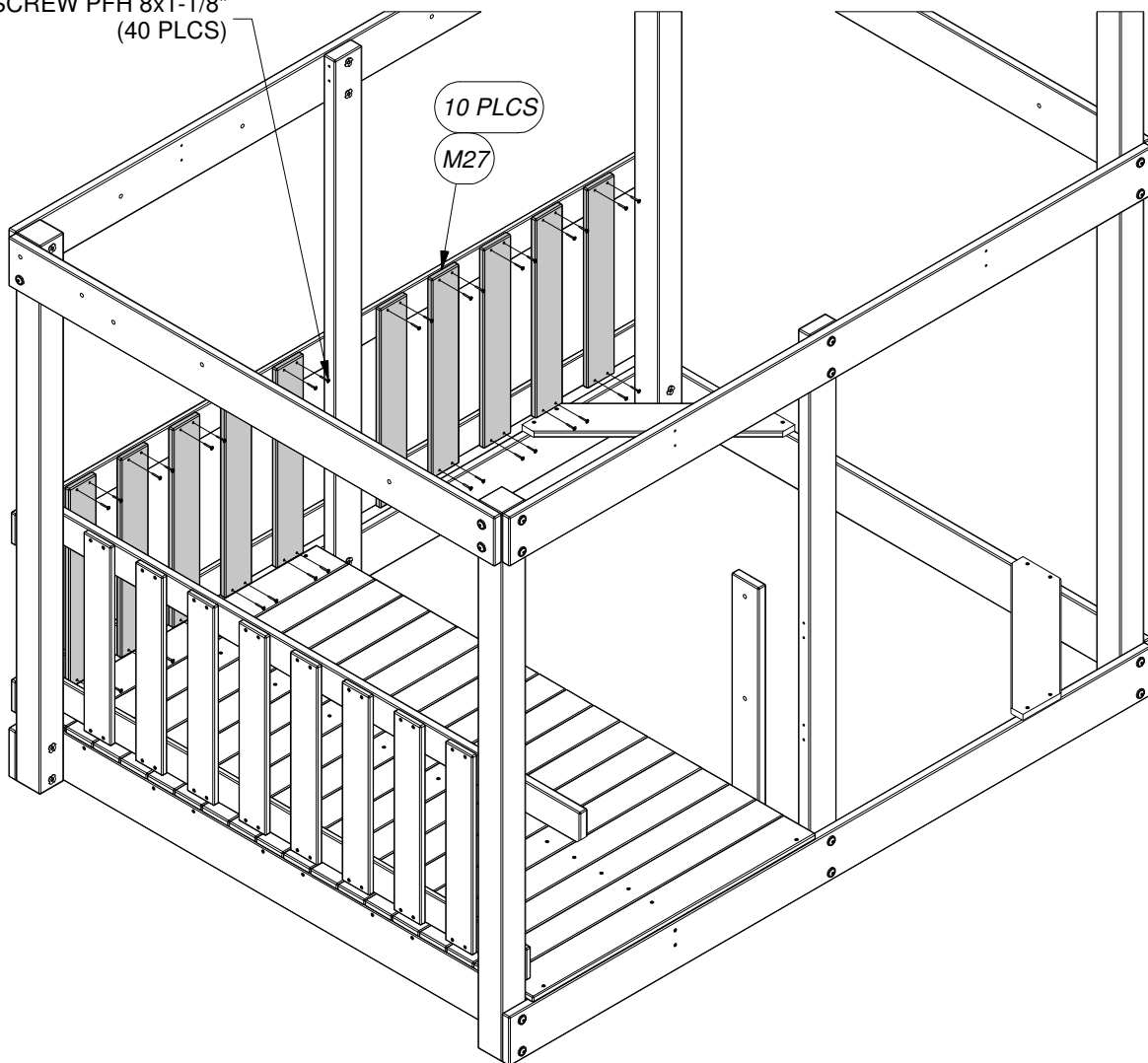
3 1/8 in
EQUAL
SPACING



SCREW PFH 8x1-1/8"
(40 PLCS)

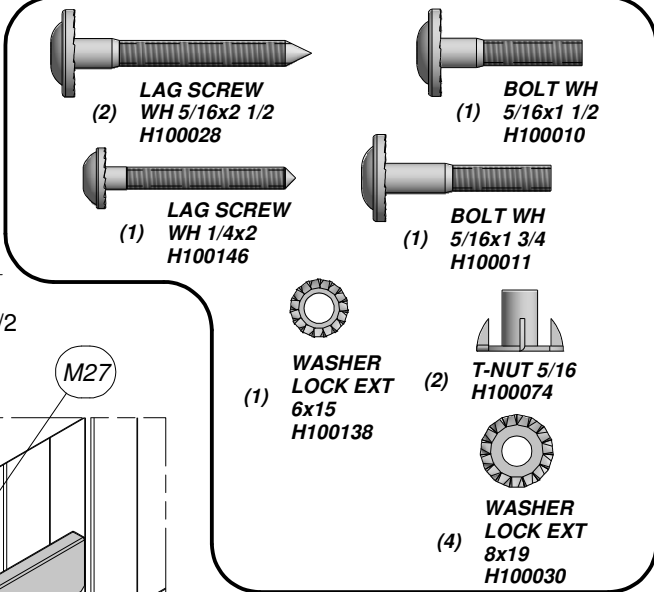
10 PLCS

M27

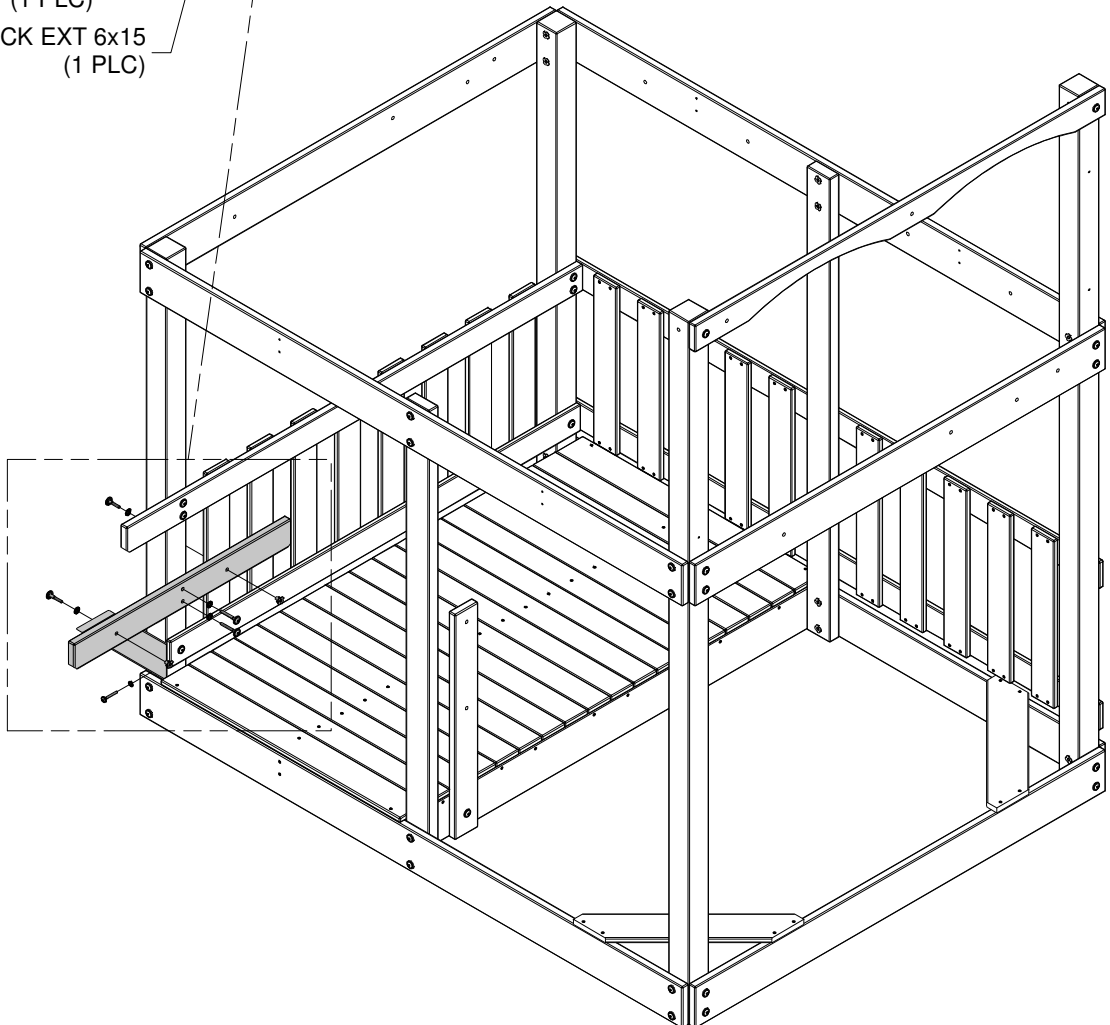
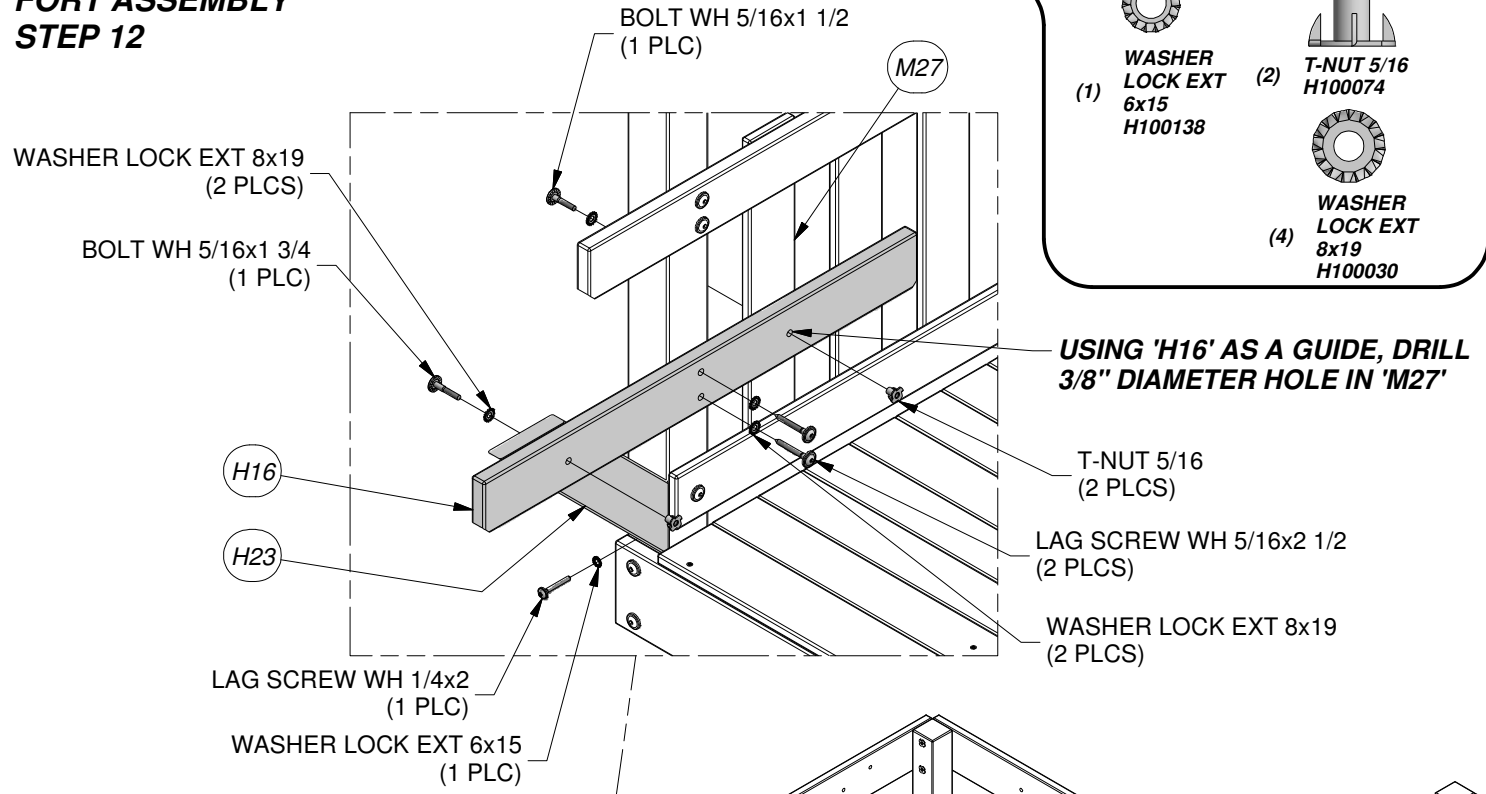


(1) **H16 - PICNIC TABLE SEAT RAIL - W4L04597**
 1"x3 3/8"x32" (24x86x812)

(1) **H23 - PICNIC TABLE BRACE - W4L04598**
 1"x3 3/8"x17 1/2" (24x86x444)



FORT ASSEMBLY
STEP 12



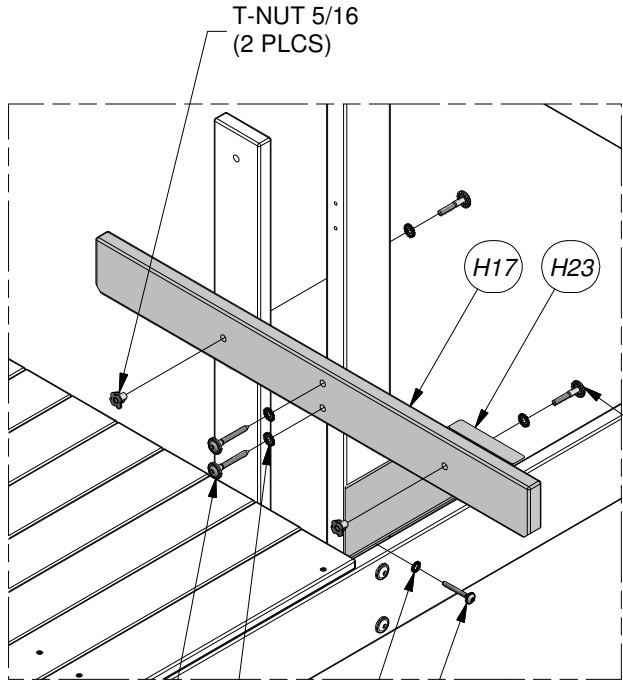


(1) **H17 - PICNIC TABLE SEAT RAIL - W4L04599**
1"x3 3/8"x32" (24x86x812)



(1) **H23 - PICNIC TABLE BRACE - W4L04598**
1"x3 3/8"x17 1/2" (24x86x444)

FORT ASSEMBLY STEP 13



(2) LAG SCREW WH 5/16x2 1/2 H100028	(2) BOLT WH 5/16x1 3/4 H100011	(2) T-NUT 5/16 H100074
(1) LAG SCREW WH 1/4x2 H100146	(4) WASHER LOCK EXT 8x19 H100030	(1) WASHER LOCK EXT 6x15 H100138

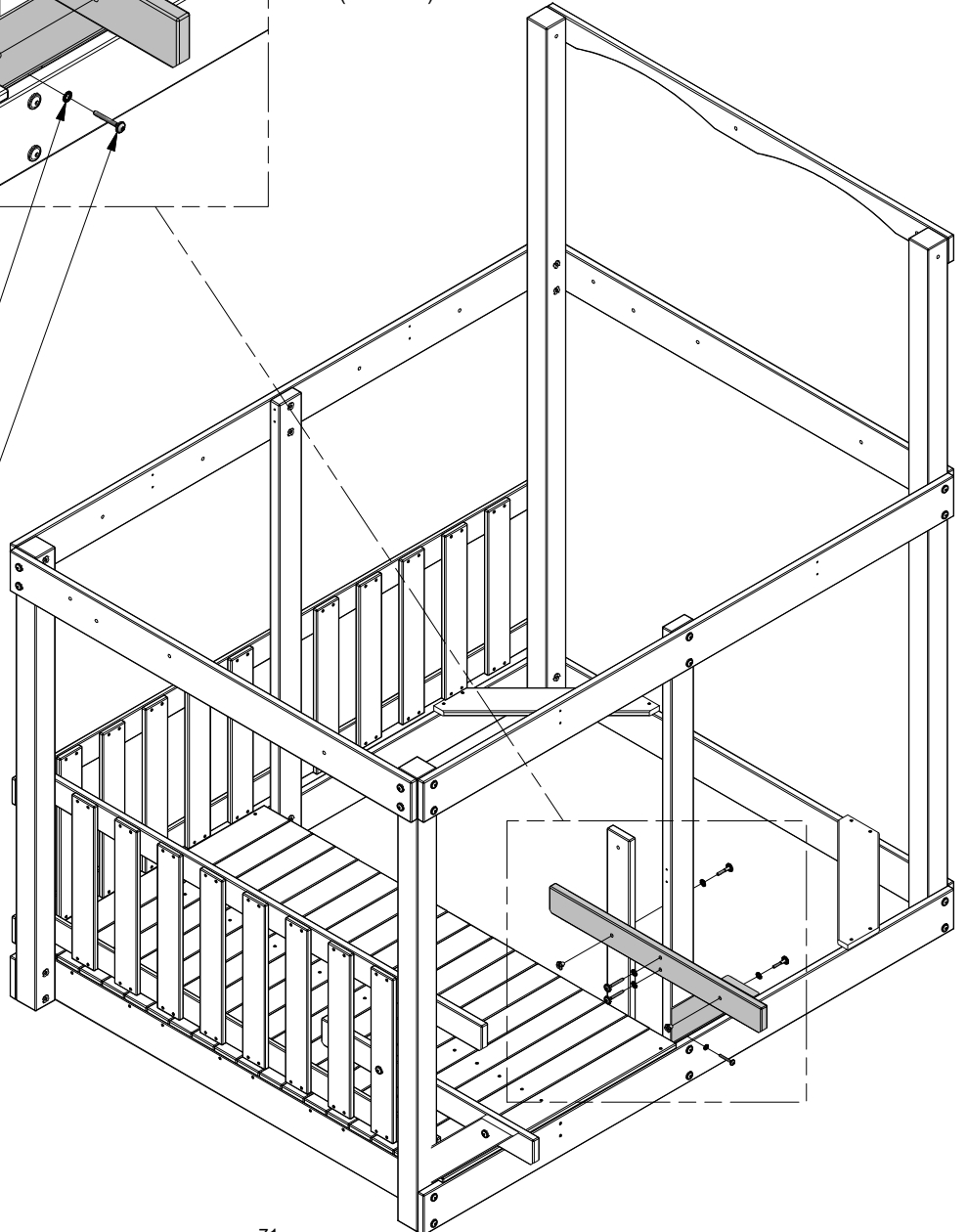
LAG SCREW WH 5/16x2 1/2
(2 PLCS)

WASHER LOCK EXT 8x19
(4 PLCS)

WASHER LOCK EXT 6x15
(1 PLC)

LAG SCREW WH 1/4x2
(1 PLC)

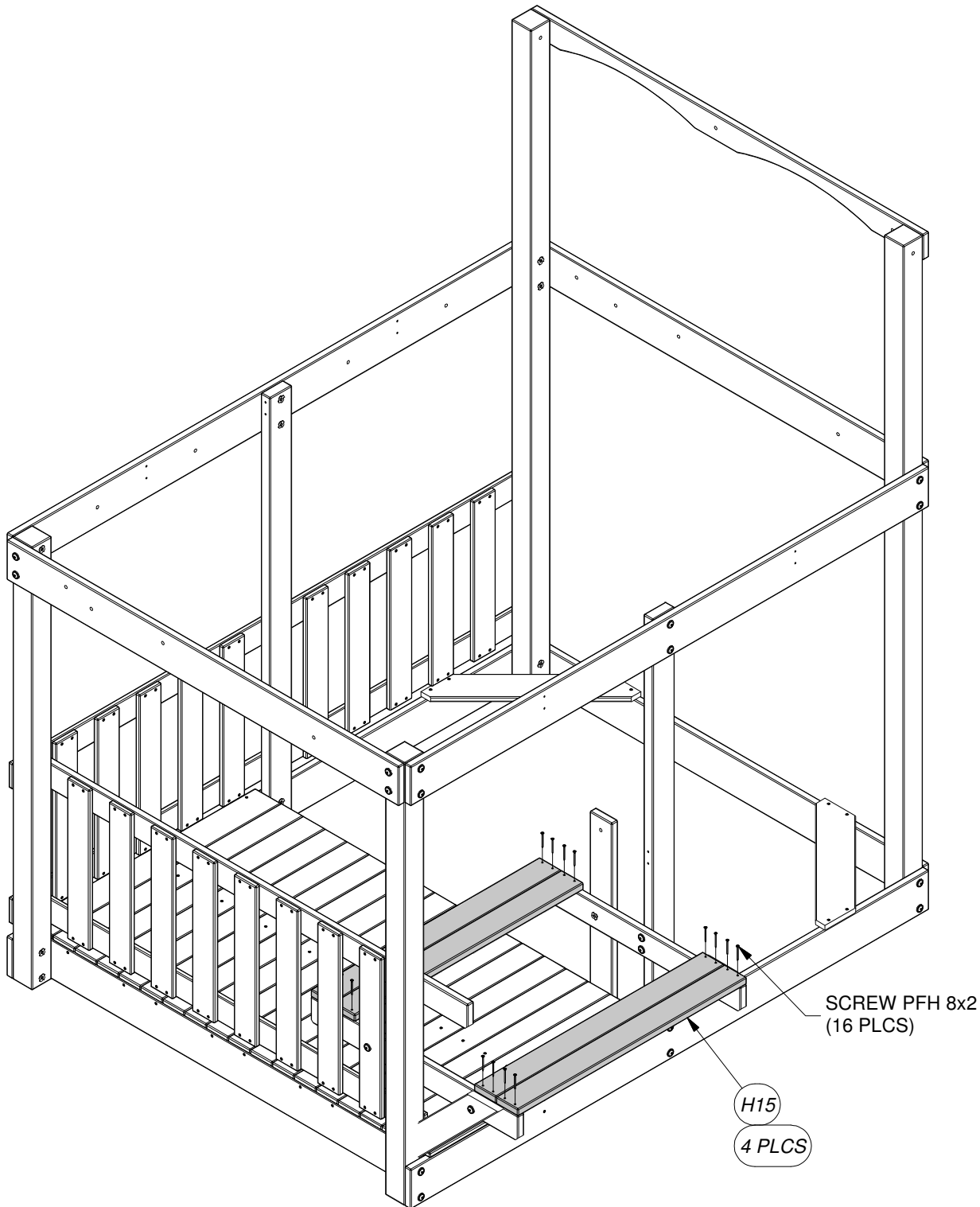
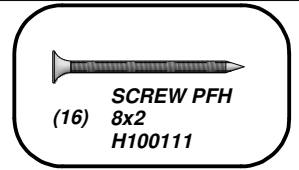
BOLT WH 5/16x1 3/4
(2 PLCS)

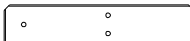




(4) H15 - PICNIC TABLE SEAT - W4L04600
1"x3 3/8"x35 3/8" (24x86x897)

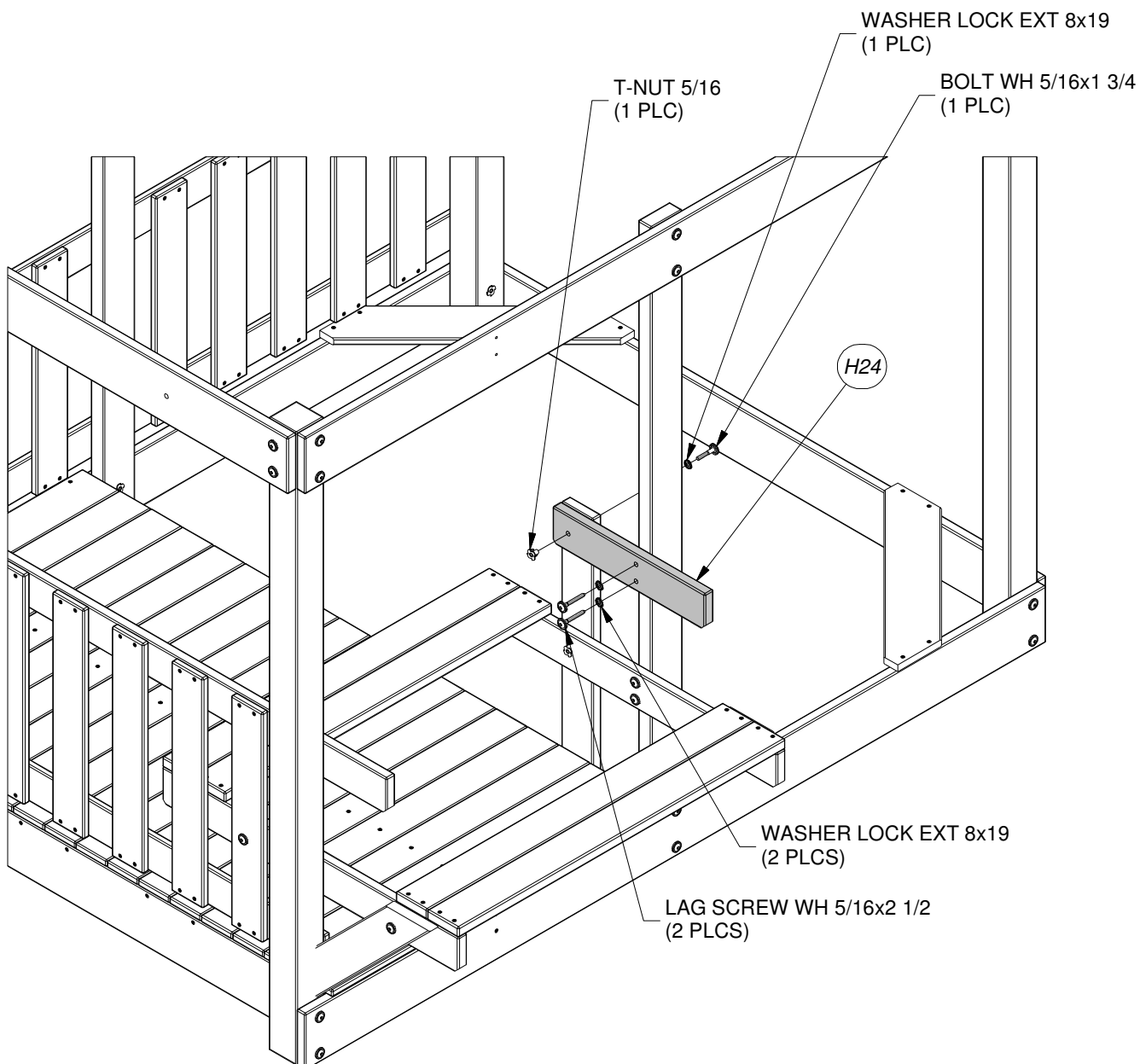
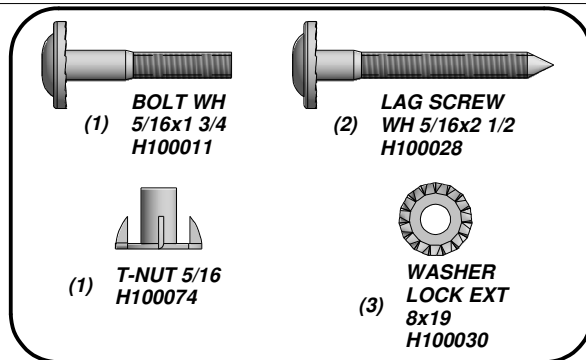
FORT ASSEMBLY
STEP 14





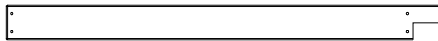
(1) **H24 - PICNIC TABLE TOP SUPPORT - W4L04601**
1"x3 3/8"x16 1/2" (24x86x418)

FORT ASSEMBLY
STEP 15





(1) **M30 - PICNIC TABLE TOP CLEAT - W4L04604**
5/8"x3 3/8"x16" (16x86x406)





(1) **M16 - CENTER PICNIC TABLE TOP - W4L04603**
5/8"x3"x38 1/4" (16x76x973)

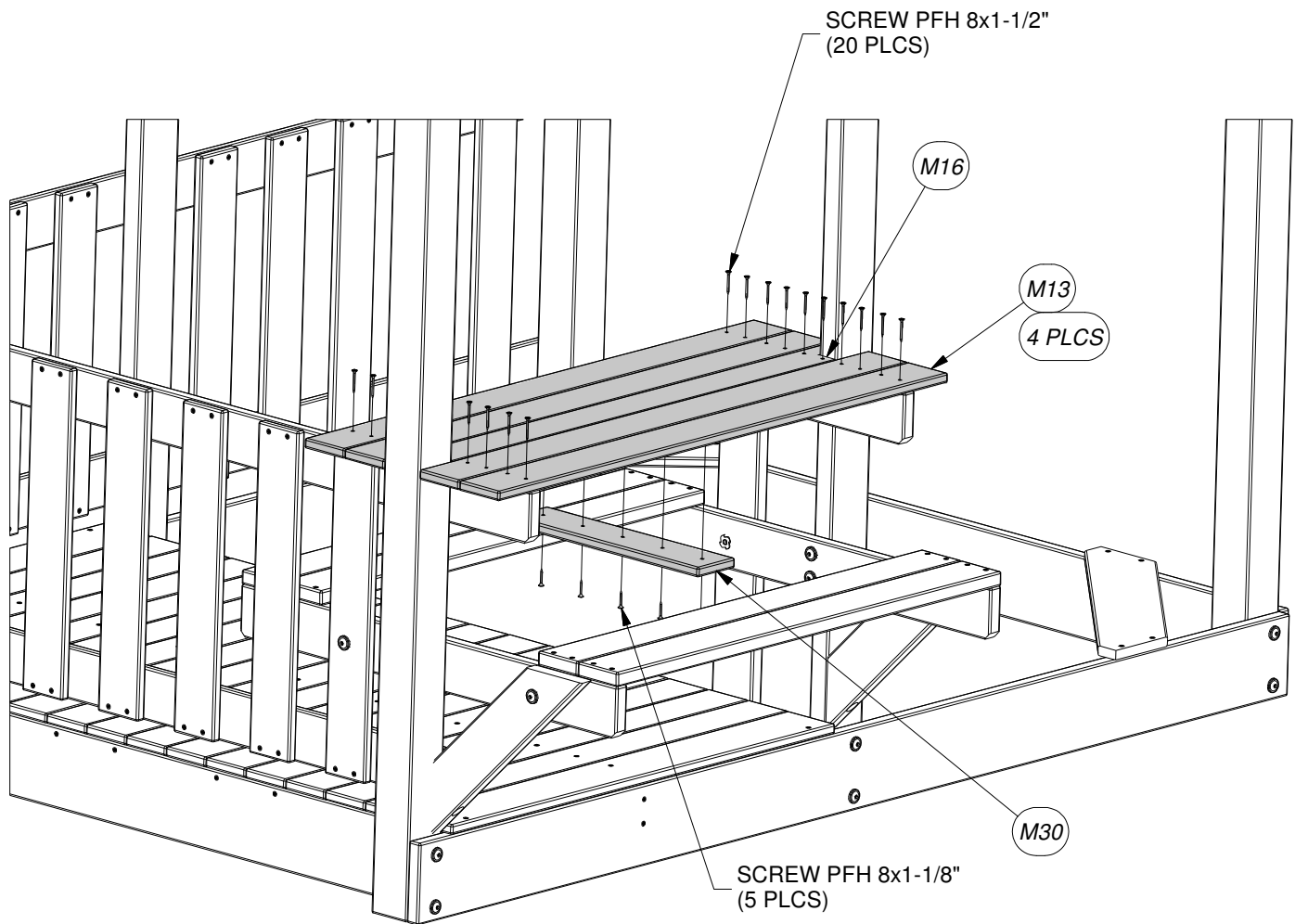


(4) **M13 - PICNIC TABLE TOP - W4L04602**
5/8"x3 3/8"x41 1/4" (16x86x1049)

FORT ASSEMBLY
STEP 16

 **SCREW PFH**
(20) 8x1-1/2"
H100086

 **SCREW PFH**
(5) 8x1-1/8"
H100088

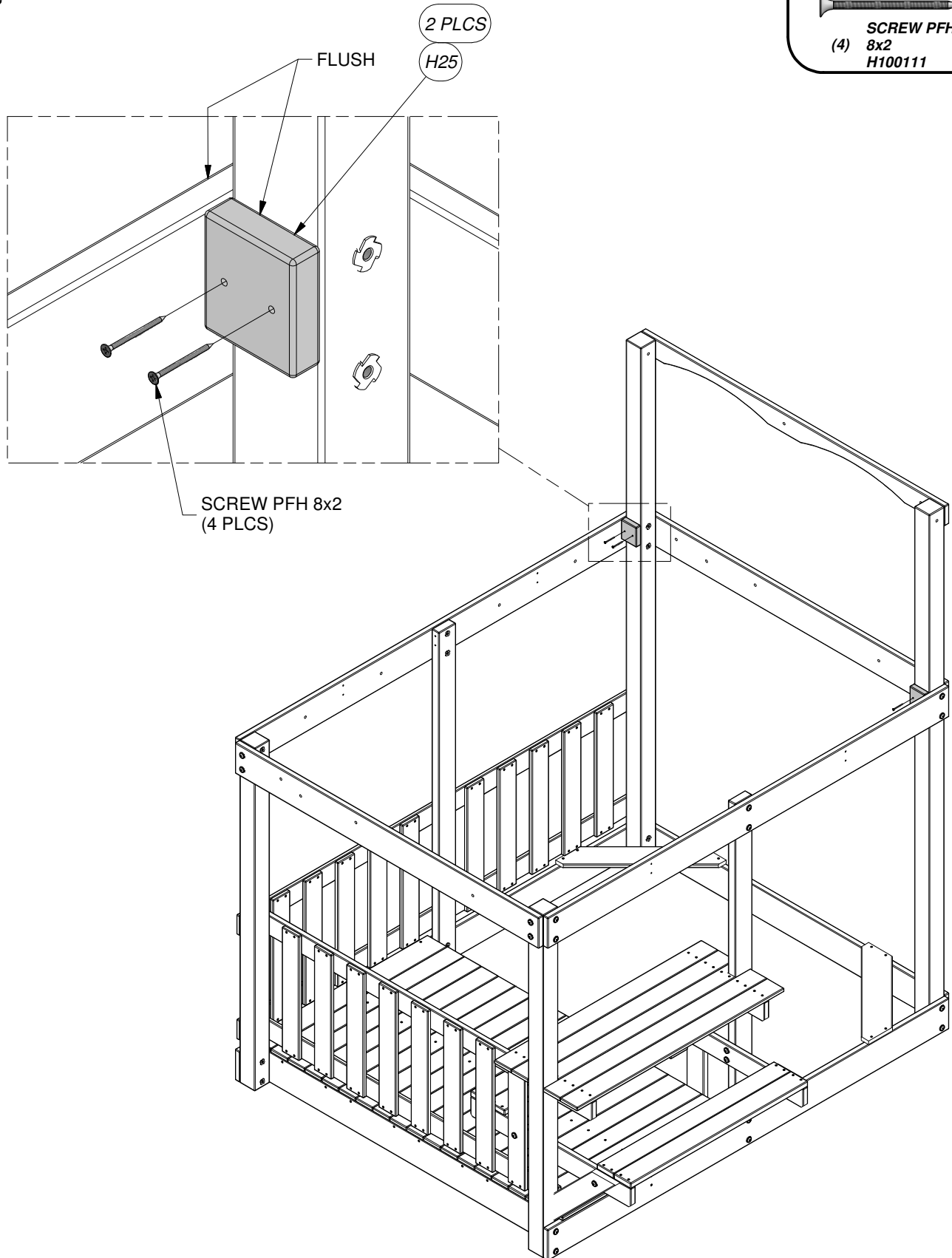
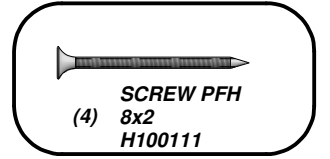


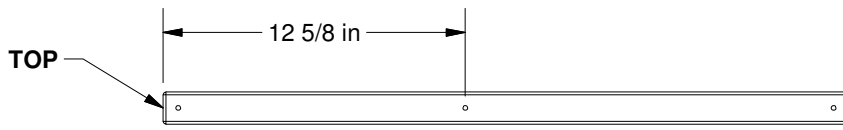
NOTE:
CENTER M30 CLEAT ON BOTTOM
OF TABLE TOP BOARDS.



(2) H25 - TOP FLOOR SUPPORT - W4L04606
1"x3 3/8"x3" (24x86x76)

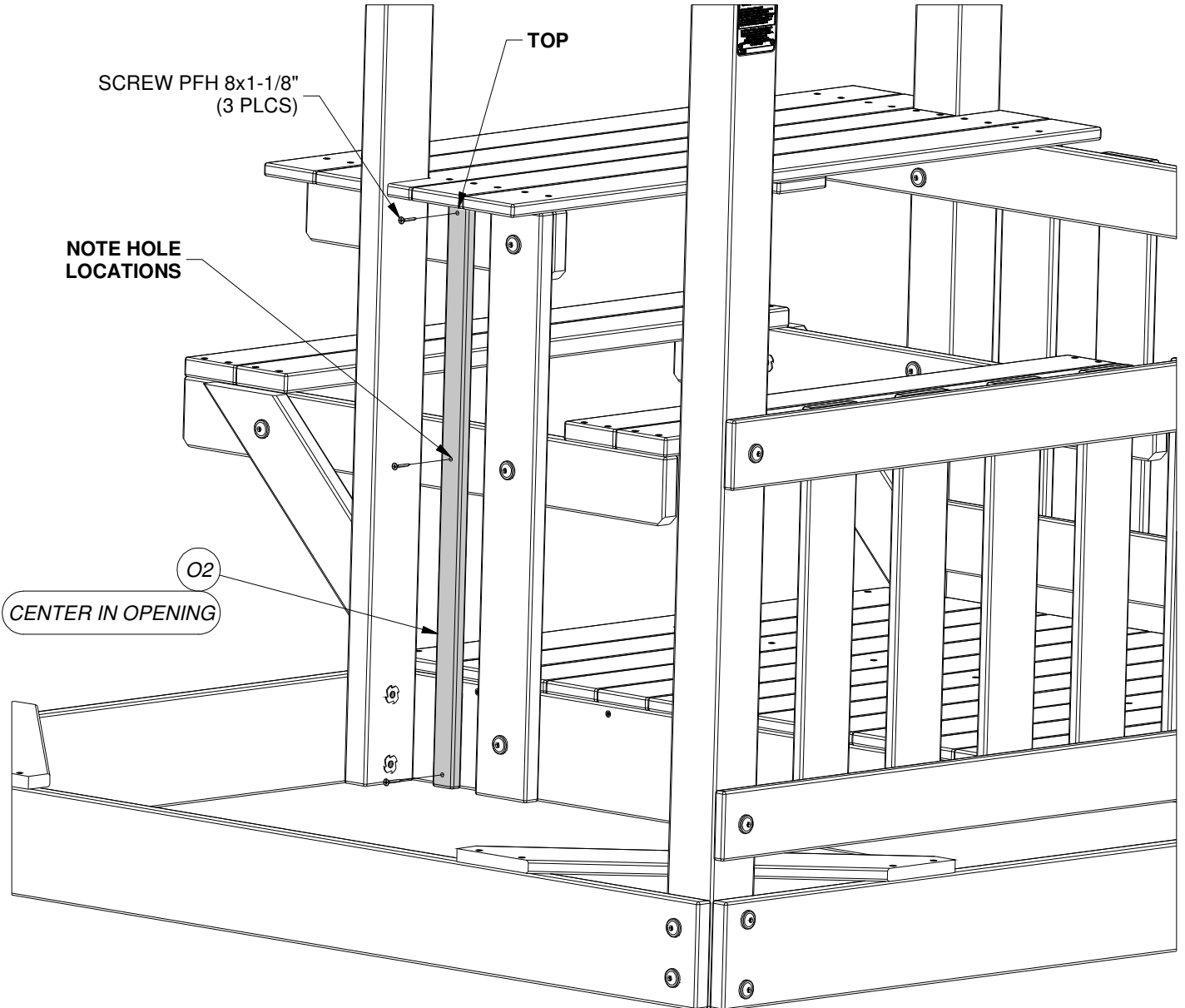
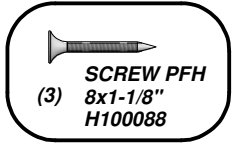
**FORT ASSEMBLY
STEP 17**

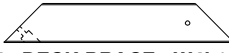




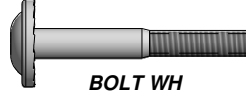



(1) O2 - SAFETY BOARD - W4L04605
 5/8"x1 3/8"x28 5/8" (16x34x726)

**FORT ASSEMBLY
 STEP 18**




(8) E5 - DECK BRACE - W4L11778
 1 7/16"x3 3/8"x20" (36x86x508)

FORT ASSEMBLY
STEP 19

	
BOLT WH (8) 5/16x2 1/4 H100013	(8) T-NUT 5/16 H100074
	
LAG SCREW (8) WH 5/16x2 1/2 H100028	(16) WASHER LOCK EXT 8x19 H100030



8 PLCS
 E5

T-NUT 5/16
 (8 PLCS)

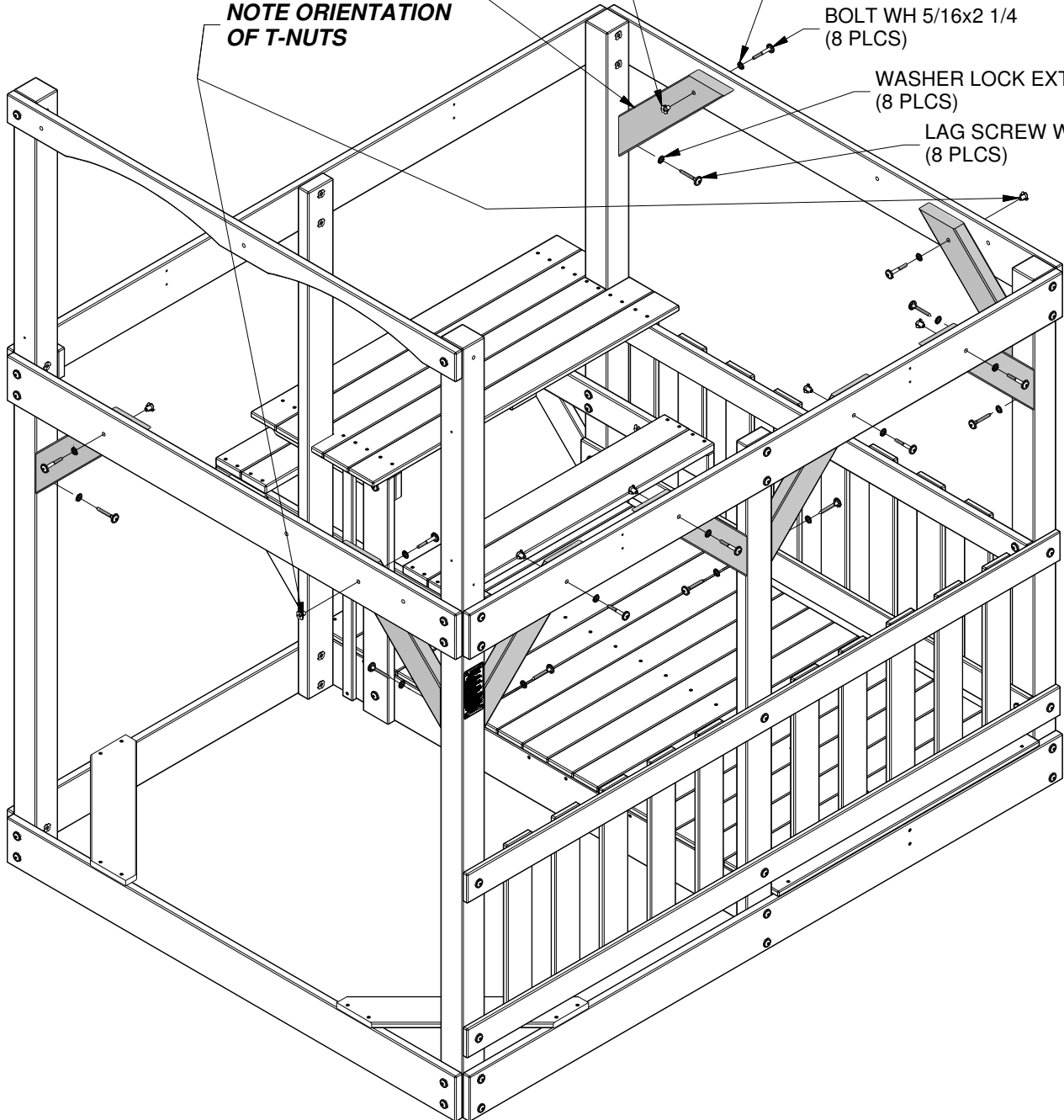
WASHER LOCK EXT 8x19
 (8 PLCS)

BOLT WH 5/16x2 1/4
 (8 PLCS)

WASHER LOCK EXT 8x19
 (8 PLCS)

LAG SCREW WH 5/16x2 1/2
 (8 PLCS)

**NOTE ORIENTATION
 OF T-NUTS**



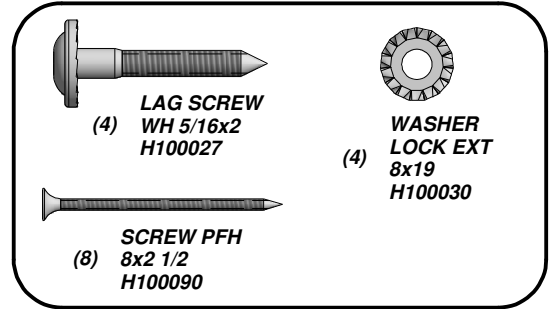


(1) **H5 - FLOOR RAIL - W4L04608**
1"x3 3/8"x60 1/2" (24x86x1537)

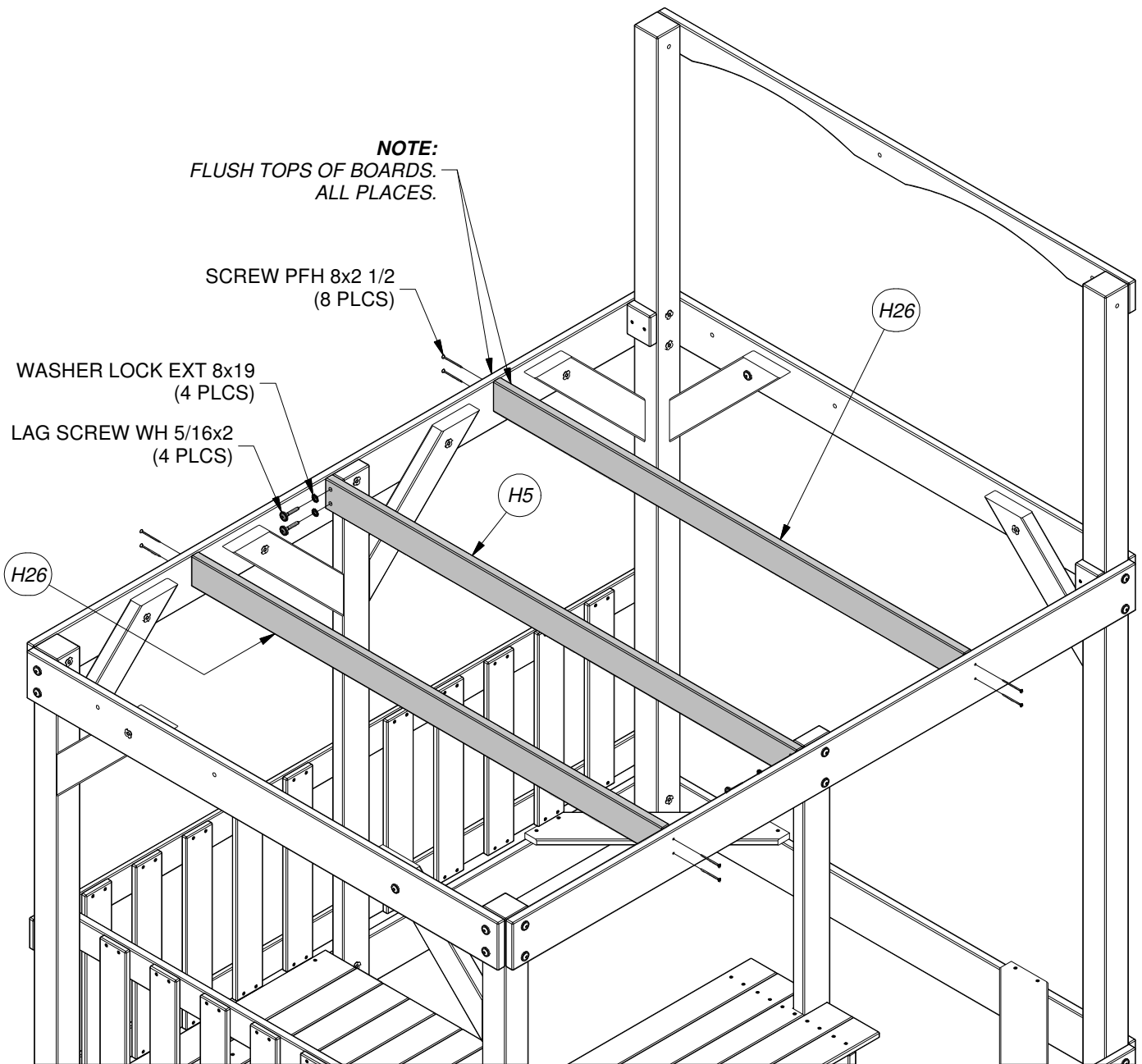


(2) **H26 - FLOOR JOIST - W4L04573**
1"x3 3/8"x60 1/2" (24x86x1537)

FORT ASSEMBLY
STEP 20

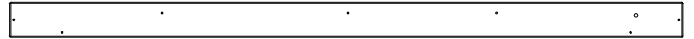


NOTE:
FLUSH TOPS OF BOARDS.
ALL PLACES.



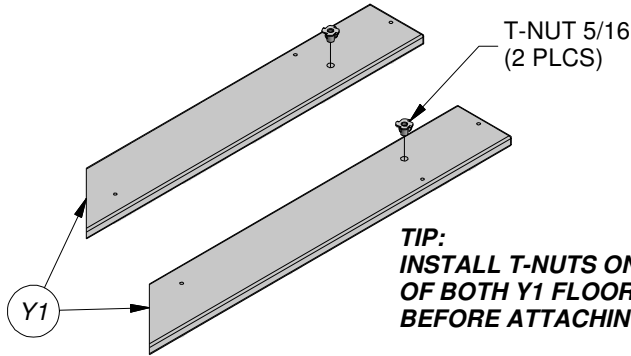


(4) **FP2 - FLOOR PANEL - W2A01486**
1 1/4"x13 1/2"x81 7/8" (32x344x2080)

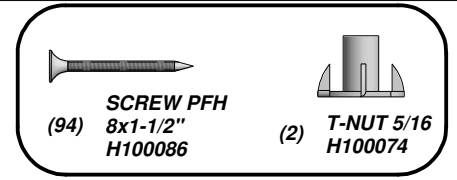


(2) **Y1 - TOP FLOOR BOARD - W4L04609**
5/8"x4"x78" (16x102x1980)

FORT ASSEMBLY STEP 21

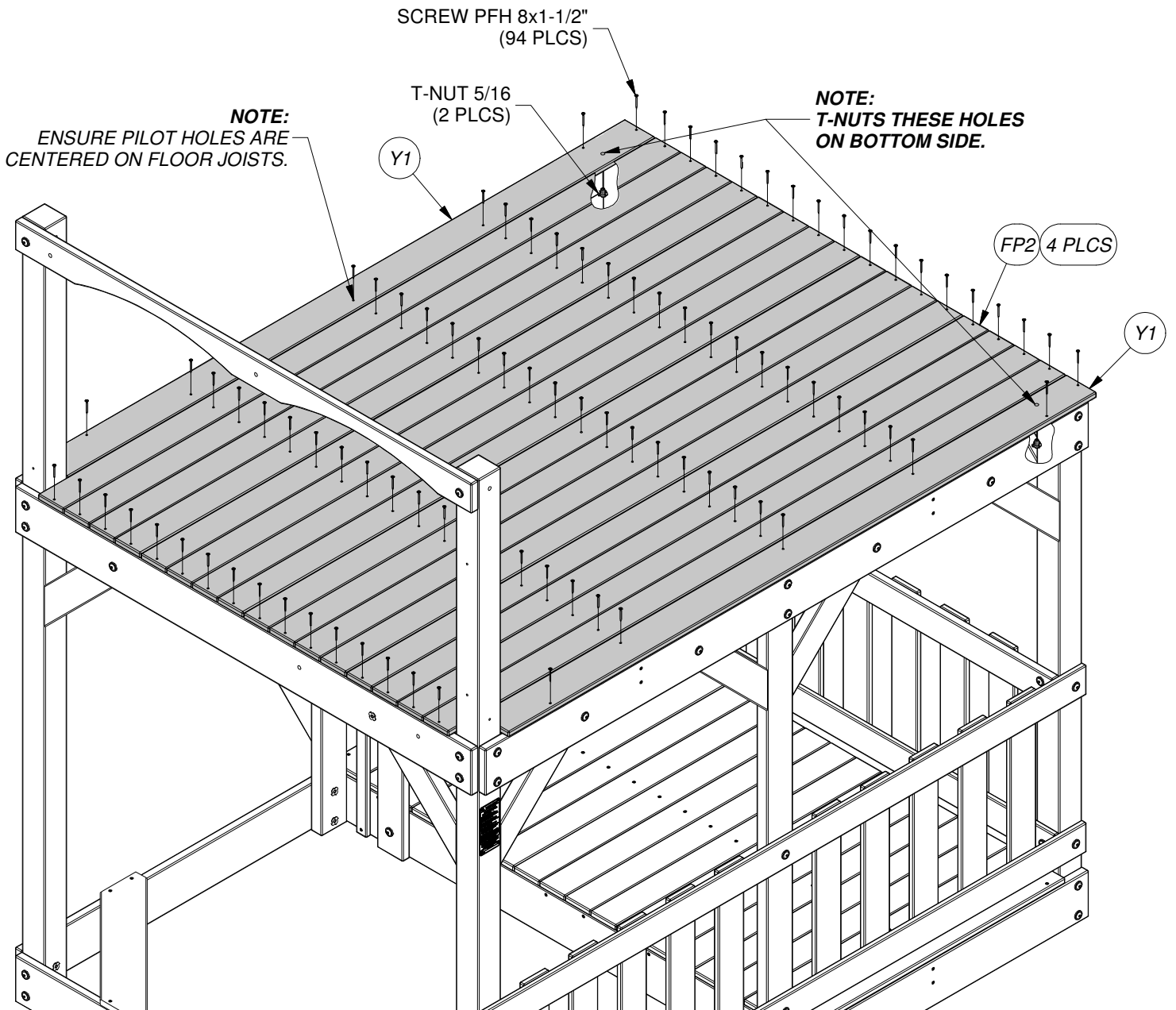


TIP:
INSTALL T-NUTS ON BOTTOM SIDE
OF BOTH Y1 FLOOR BOARDS
BEFORE ATTACHING TO FORT.



SCREW PFH
(94) 8x1-1/2"
H100086

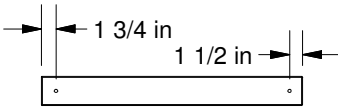
(2) **T-NUT 5/16**
H100074



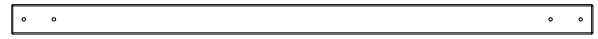
(1) **B8 - BACK RIGHT CLUB HOUSE CORNER - W4L04618**
3"x3"x53 7/8" (76x76x1370)



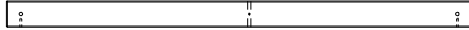
L BRACKET
(2) 2.5x38x50x55
A100340



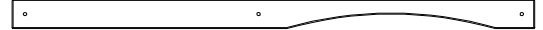
(1) **M21 - CLUB HOUSE WALL RAIL - W4L04613**
5/8"x3 3/8"x30 1/4" (16x86x768)



(1) **H4 - ROOF SUPPORT RAIL - W4L04623**
1"x3 3/8"x67 1/4" (24x86x1709)

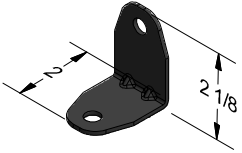


(1) **B5 - BACK LEFT CLUB HOUSE CORNER - W4L04612**
3"x3"x53 7/8" (76x76x1370)

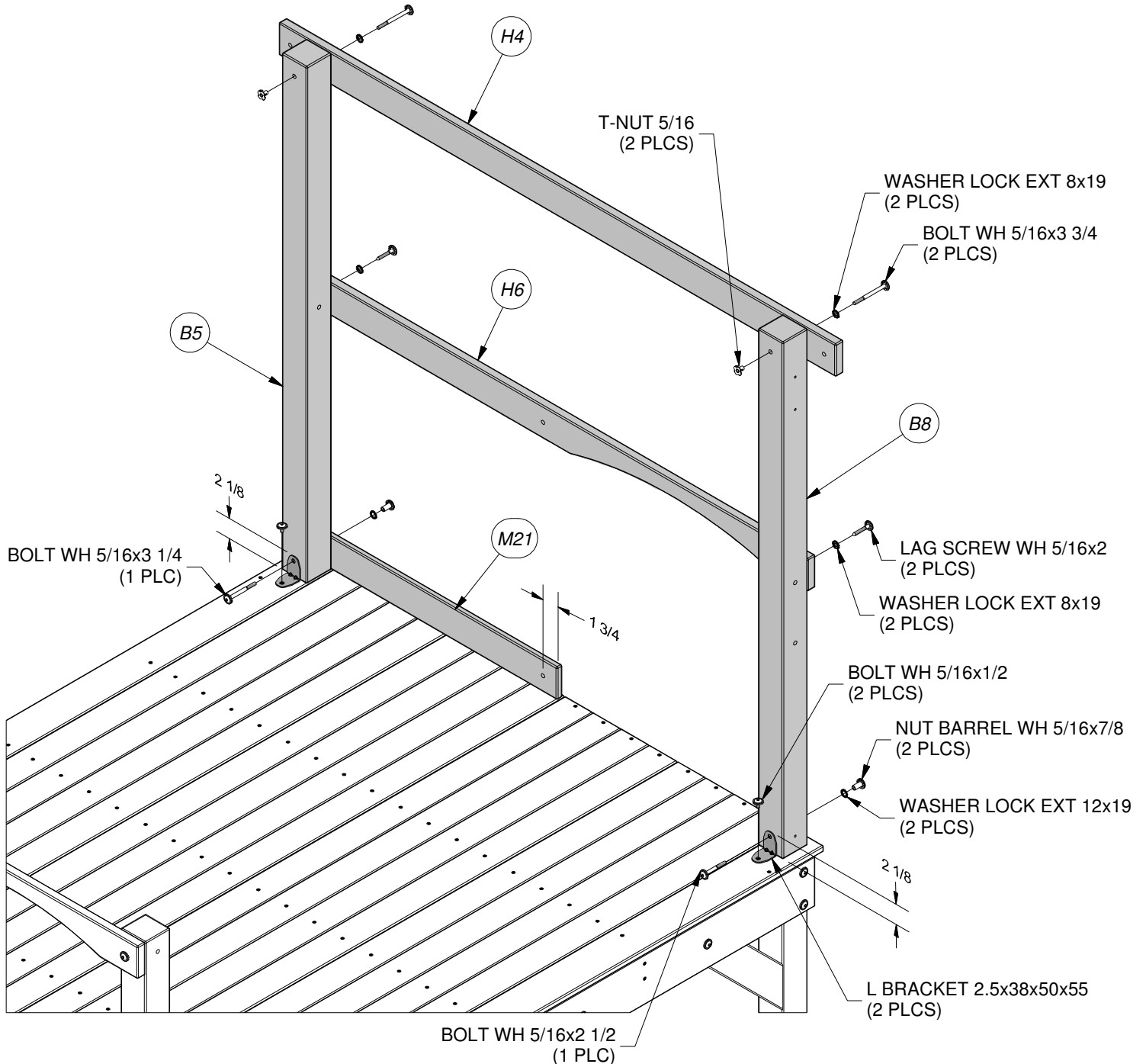


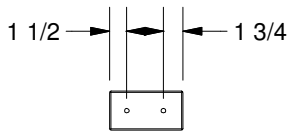
(1) **H6 - BACK CLUB HOUSE RAIL - W4L04621**
1"x3 3/8"x60 1/2" (24x86x1537)

**FORT ASSEMBLY
STEP 22**



 (1) BOLT WH 5/16x2 1/2 H100014	 (2) BOLT WH 5/16x1/2 H100115	 (2) BOLT WH 5/16x3 3/4 H100019	 (4) T-NUT 5/16 H100074
 (1) BOLT WH 5/16x3 1/4 H100017	 (2) NUT BARREL WH 5/16x7/8 H100005	 (2) LAG SCREW WH 5/16x2 H100027	 (2) WASHER LOCK EXT 12x19 H100031
			 (4) WASHER LOCK EXT 8x19 H100030





(1) **M34 - WALL RAIL - W4L04611**
 5/8"x3 3/8"x6 3/8" (16x86x162)



(1) **M1 - TOP WALL RAIL - W4L04619**
 5/8"x3 3/8"x80" (16x86x2032)

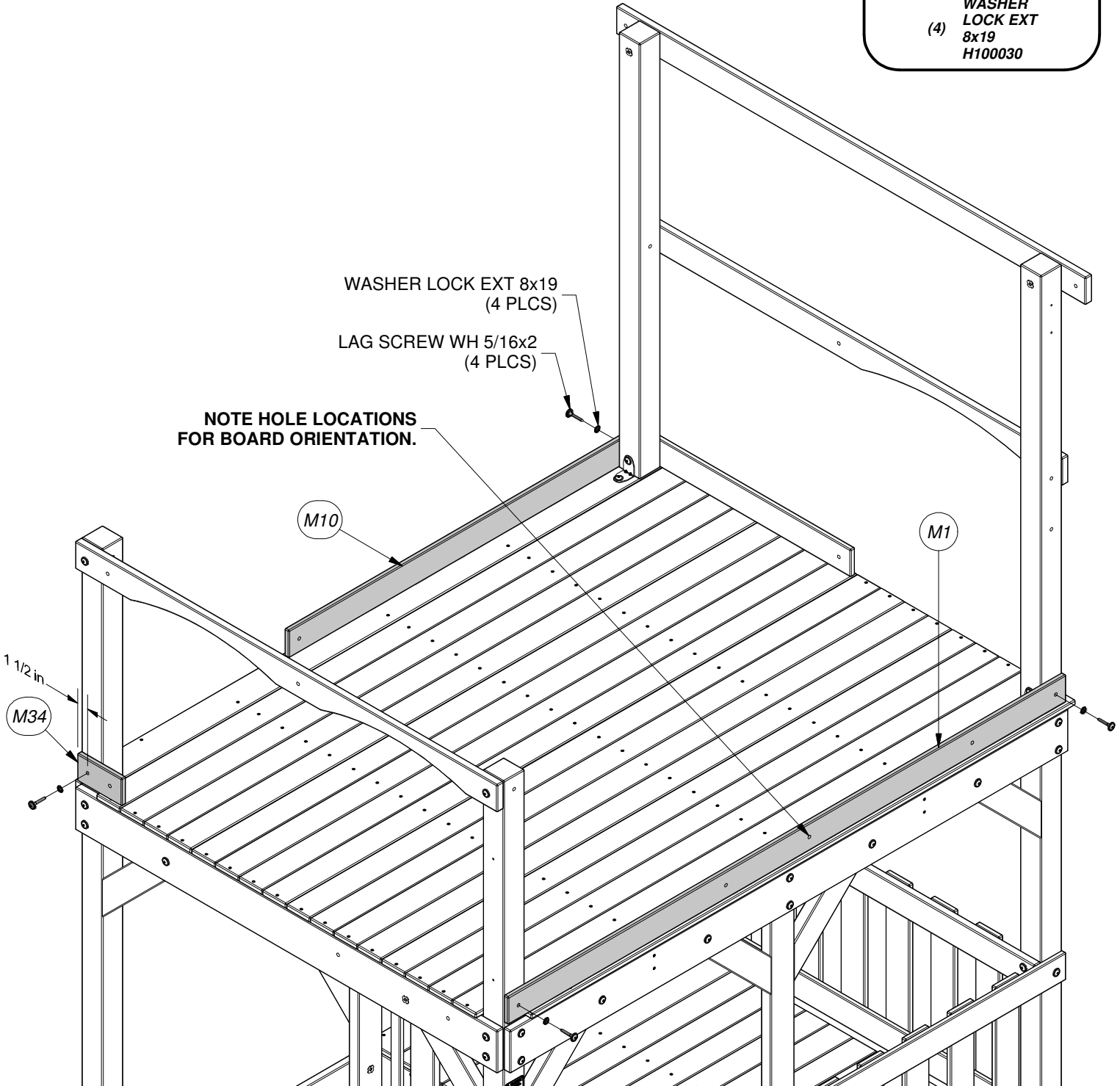


(1) **M10 - CLUB HOUSE WALL RAIL - W4L04614**
 5/8"x3 3/8"x50 1/4" (16x86x1277)

FORT ASSEMBLY
STEP 23

LAG SCREW
 (4) WH 5/16x2
 H100027

WASHER LOCK EXT
 (4) 8x19
 H100030



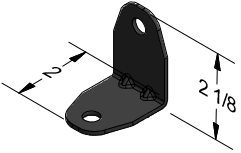


L BRACKET
 (1) 2.5x38x50x55
 A100340

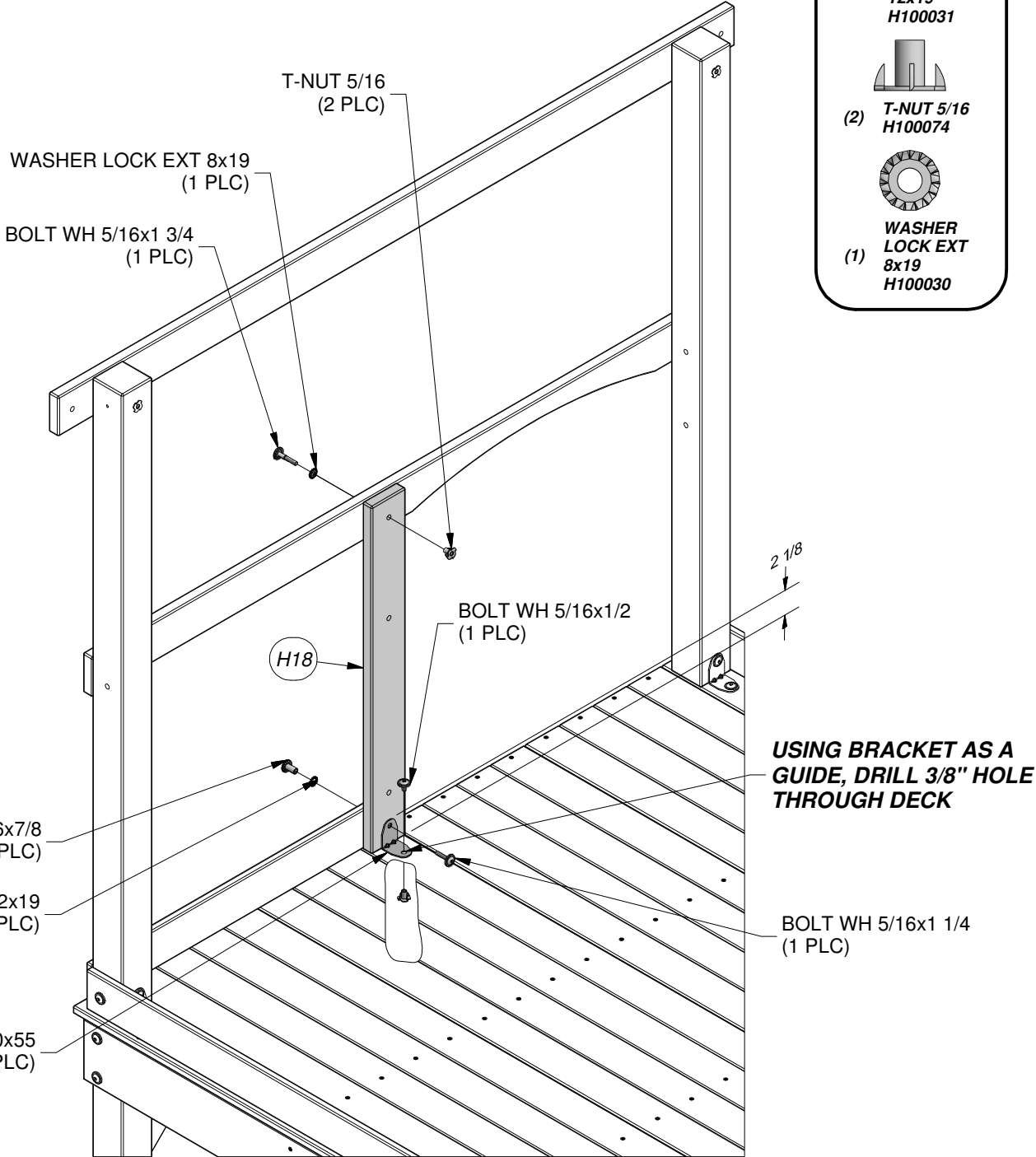


H18 - CLUB HOUSE WALL RAIL - W4L04616
 (1) 1"x3 3/8"x29 7/8" (24x86x758)

FORT ASSEMBLY
STEP 24



- BOLT WH 5/16x1 3/4 H100011** (1)
- BOLT WH 5/16x1 1/4 H100009** (1)
- BOLT WH 5/16x1/2 H100115** (1)
- NUT BARREL WH 5/16x7/8 H100005** (1)
- WASHER LOCK EXT 12x19 H100031** (1)
- T-NUT 5/16 H100074** (2)
- WASHER LOCK EXT 8x19 H100030** (1)

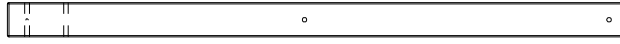




L BRACKET
 (1) 2.5x38x50x55
 A100340

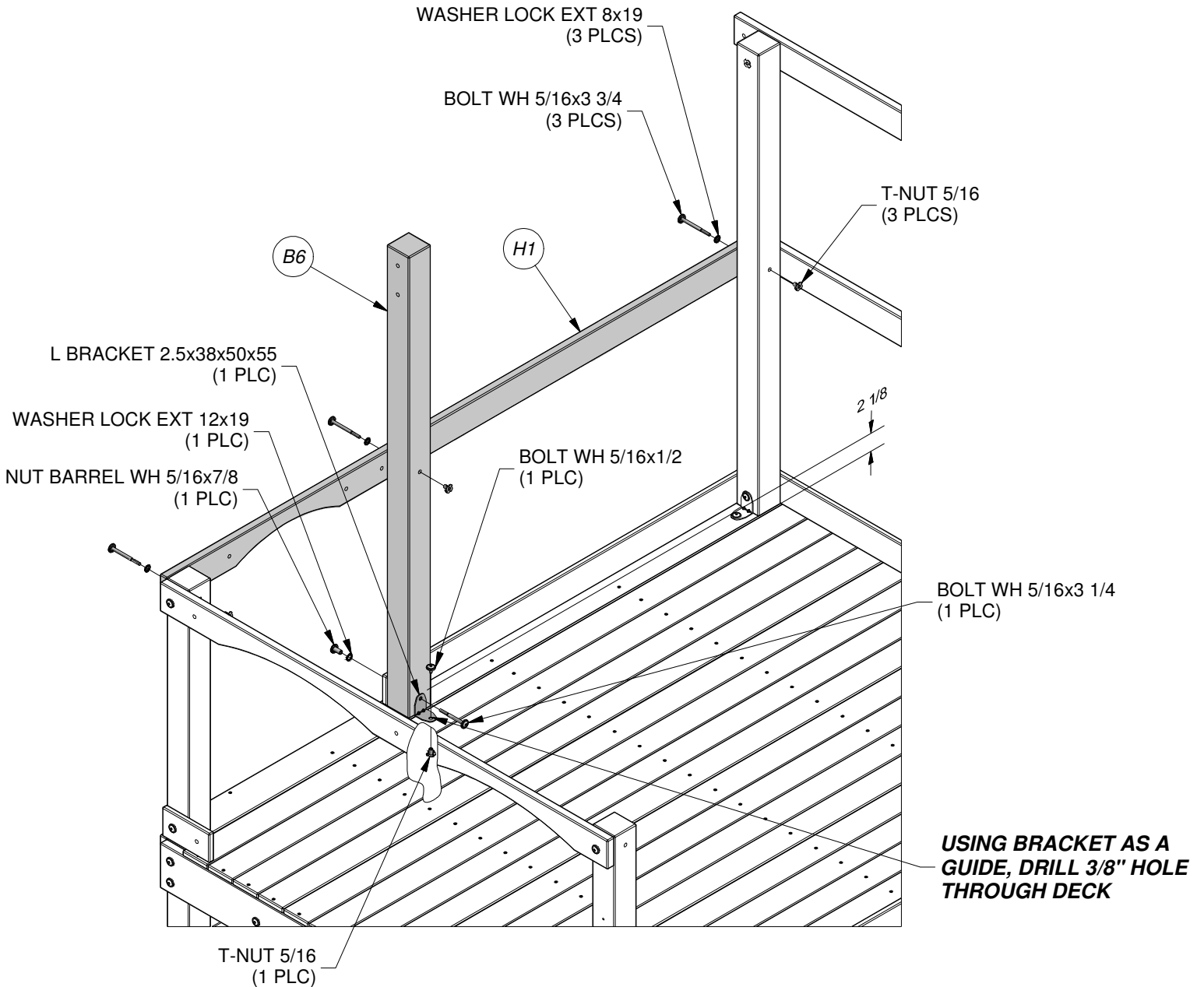
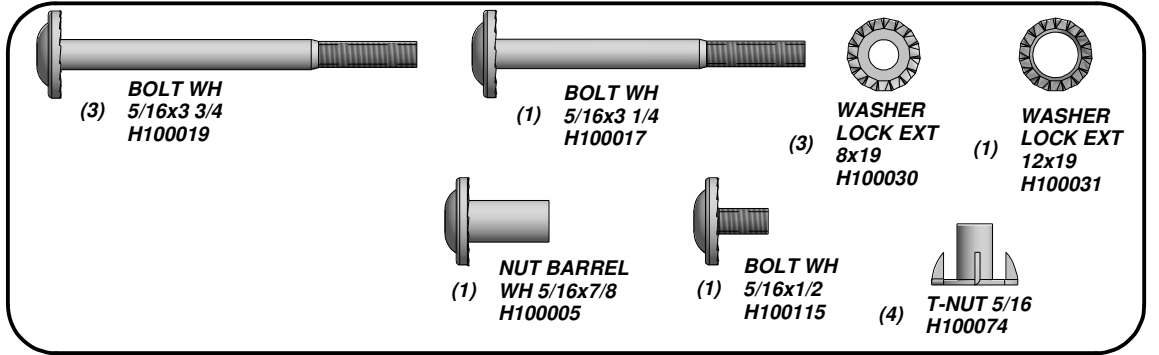


(1) **H1 - WALL RAIL - W4L04620**
 1"x3 3/8"x80" (24x86x2032)



(1) **B6 - FRONT LEFT CLUB HOUSE CORNER - W4L04615**
 3"x3"x53 7/8" (76x76x1370)

**FORT ASSEMBLY
 STEP 25**

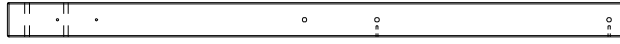




L BRACKET
(1) 2.5x38x50x55
A100340

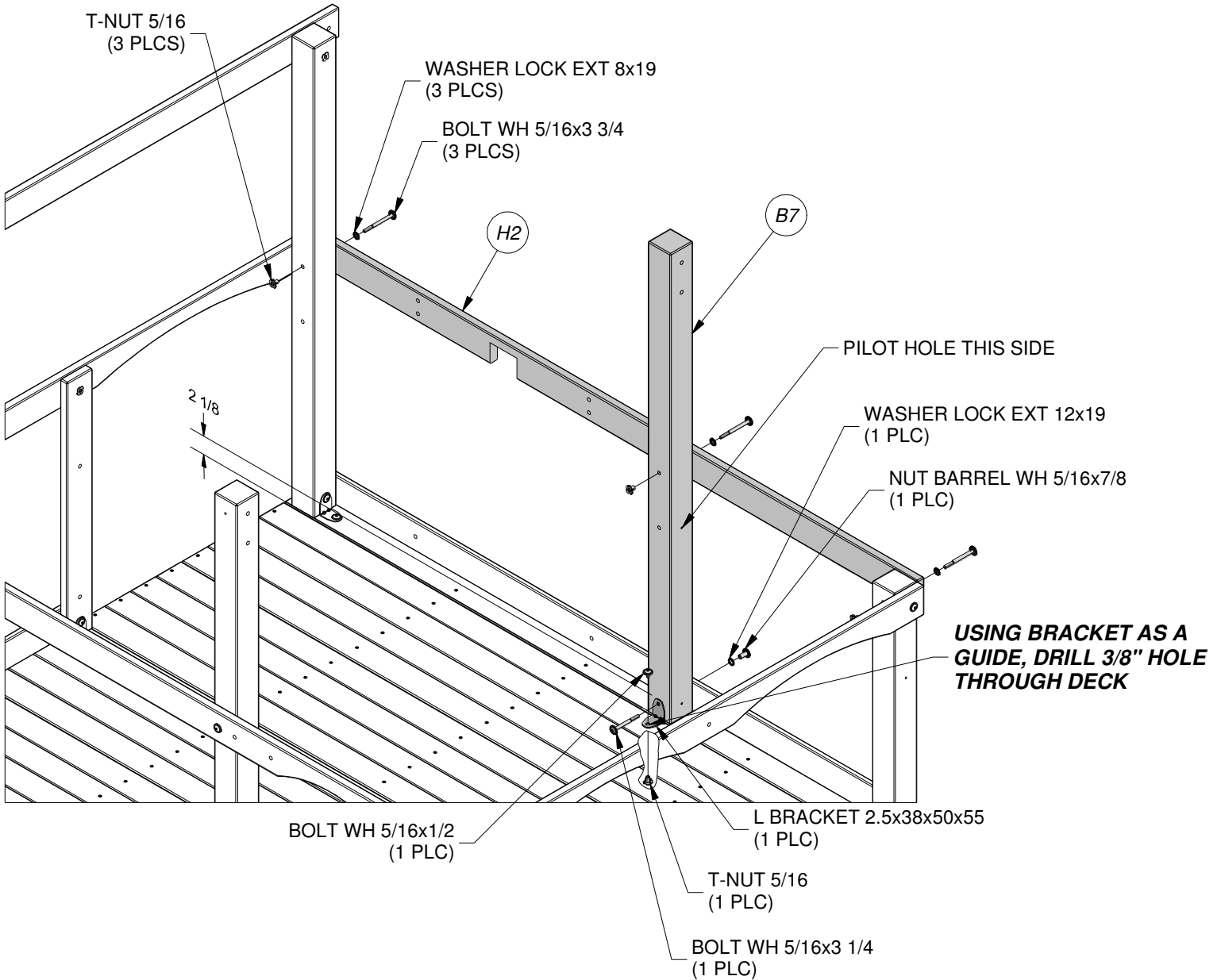
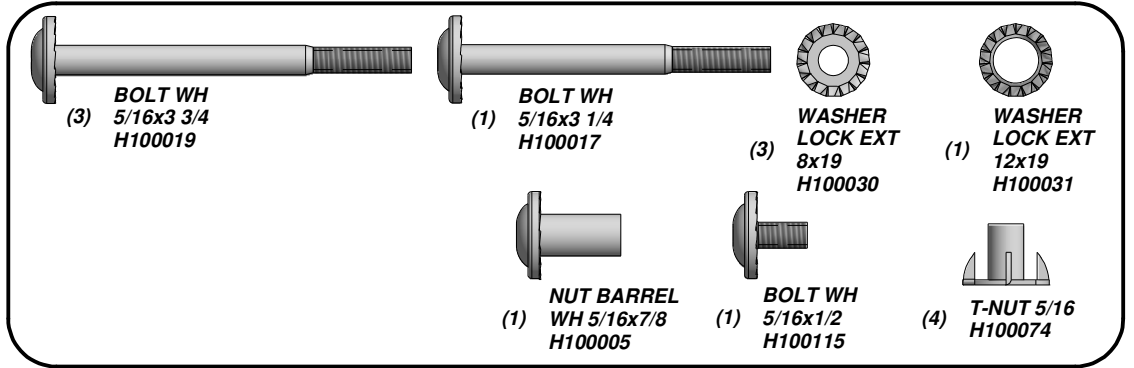


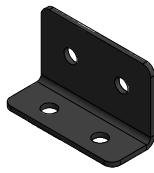
(1) **H2 - WALL RAIL - W4L04622**
1"x3 3/8"x80" (24x86x2032)



(1) **B7 - FRONT RIGHT CLUB HOUSE CORNER - W4L04617**
3"x3"x53 7/8" (76x76x1370)

FORT ASSEMBLY
STEP 26



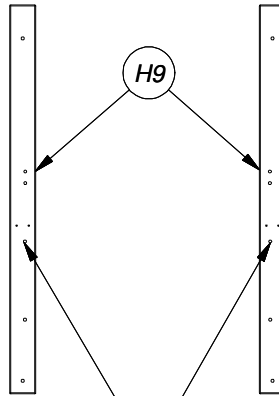


L BRACKET
(2) 51x32x82x3.175
A100396



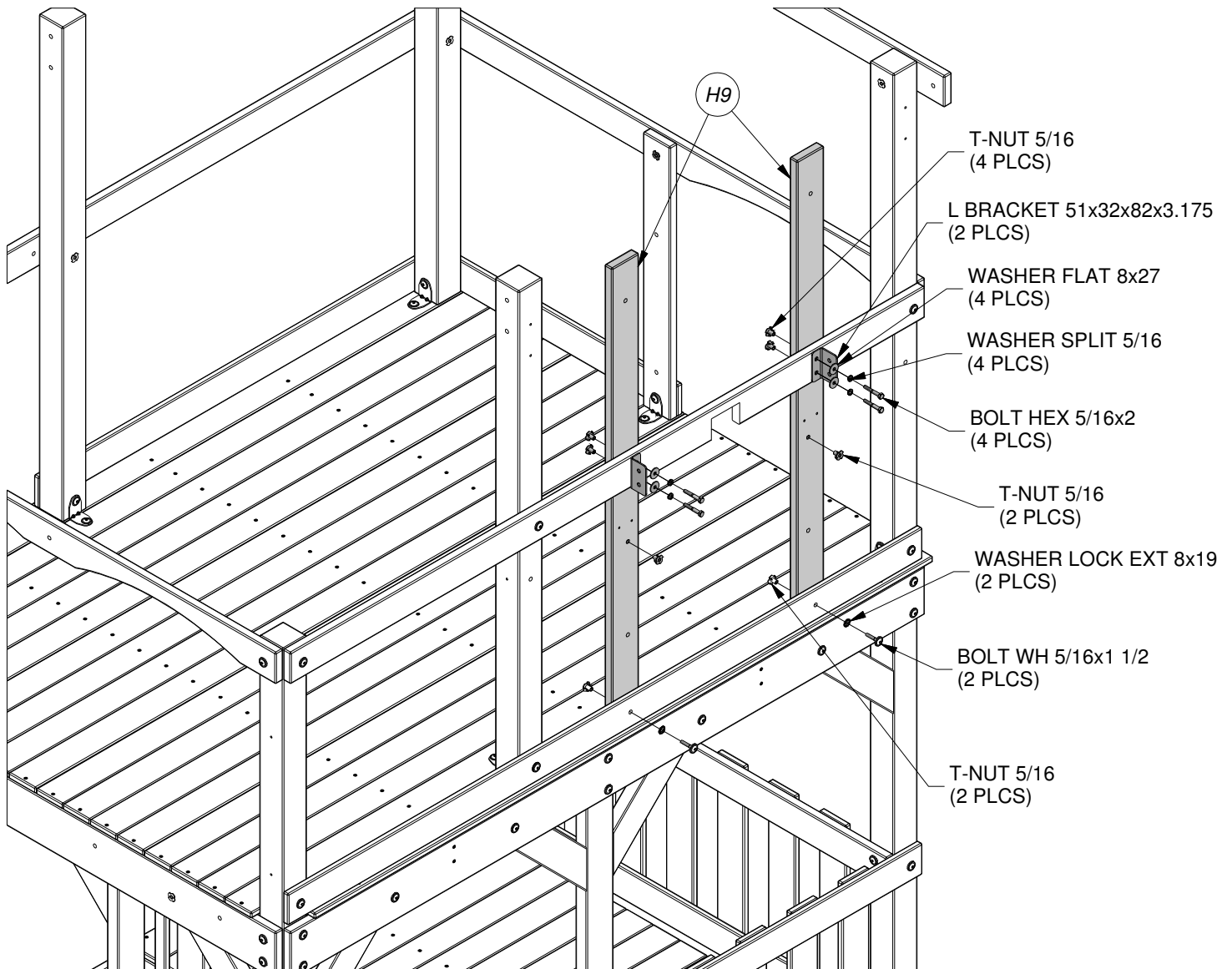
(2) **H9 - CLUB HOUSE WALL BOARD - W4L11784**
1"x3 3/8"x50 1/2" (24x86x1284)

**FORT ASSEMBLY
STEP 27**



NOTE:
HOLES ARE CLOSER TO THE INSIDE
WHEN INSTALLED.

(4) BOLT HEX 5/16x2 H100044	(2) WASHER LOCK EXT 8x19 H100030
(2) BOLT WH 5/16x1 1/2 H100010	(8) T-NUT 5/16 H100074
(4) WASHER SPLIT 5/16 H100095	(4) WASHER FLAT 8x27 H100105



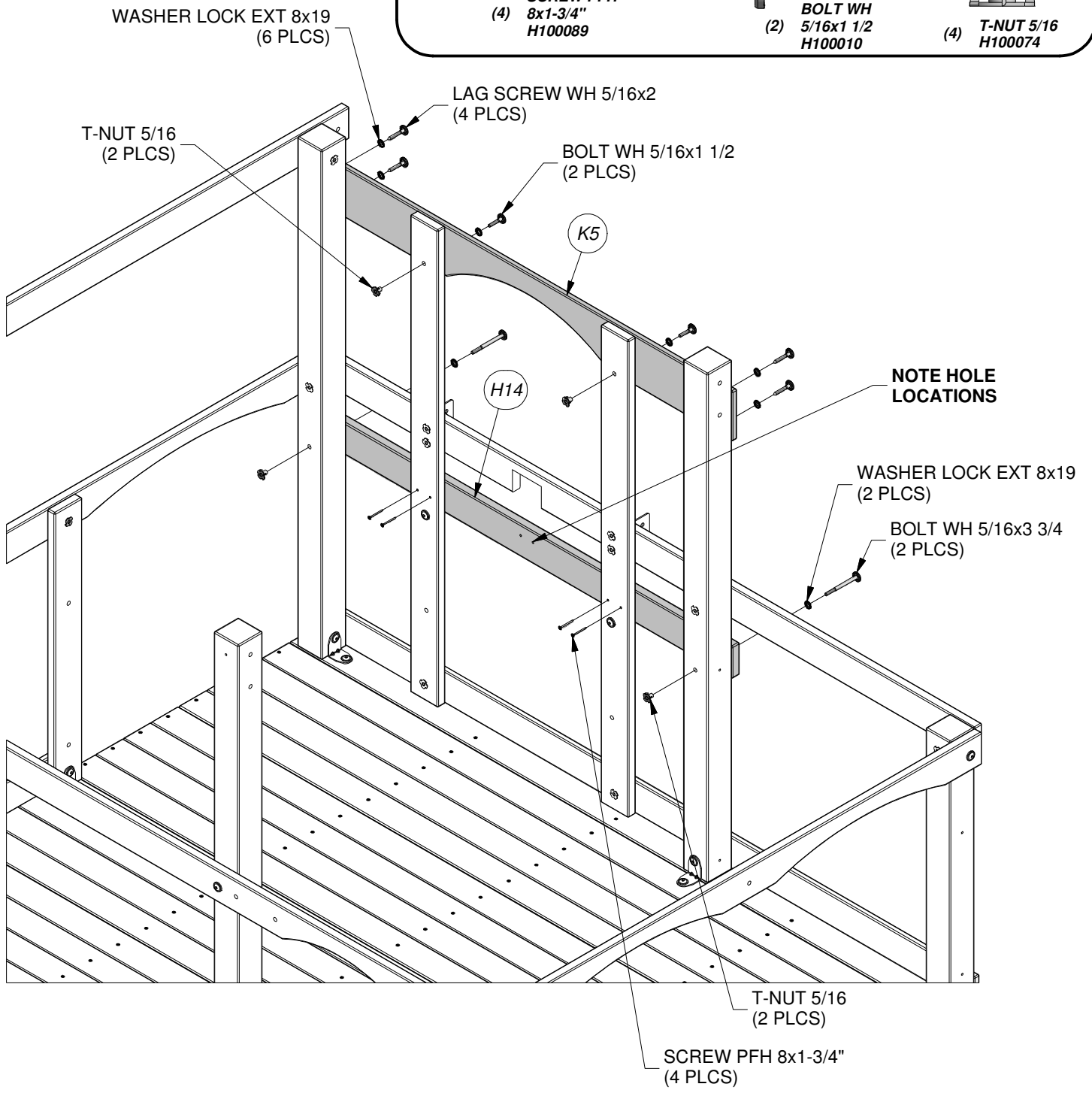
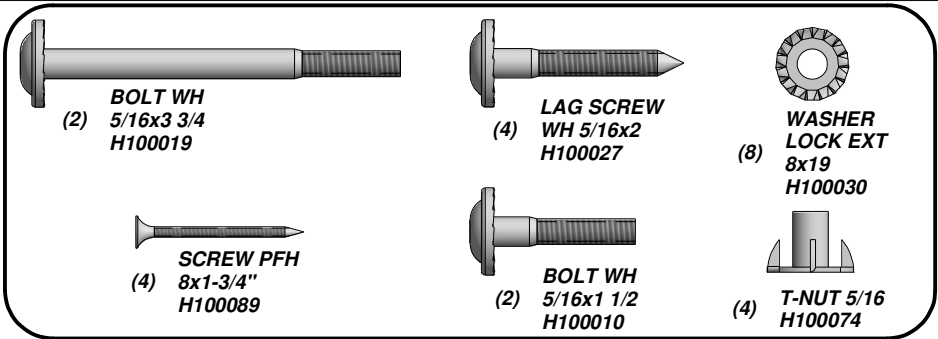


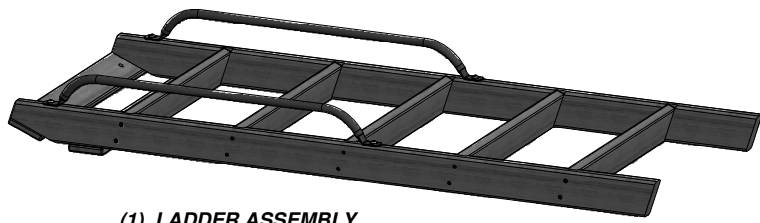
(1) **K5 - CLUB HOUSE WALL RAIL - W4L04626**
5/8"x5 1/4"x50 1/4" (16x134x1277)



(1) **H14 - SWING BEAM MOUNT - W4L04628**
1"x3 3/8"x50 1/4" (24x86x1277)


FORT ASSEMBLY STEP 28



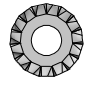


(1) LADDER ASSEMBLY


**FORT ASSEMBLY
STEP 29**



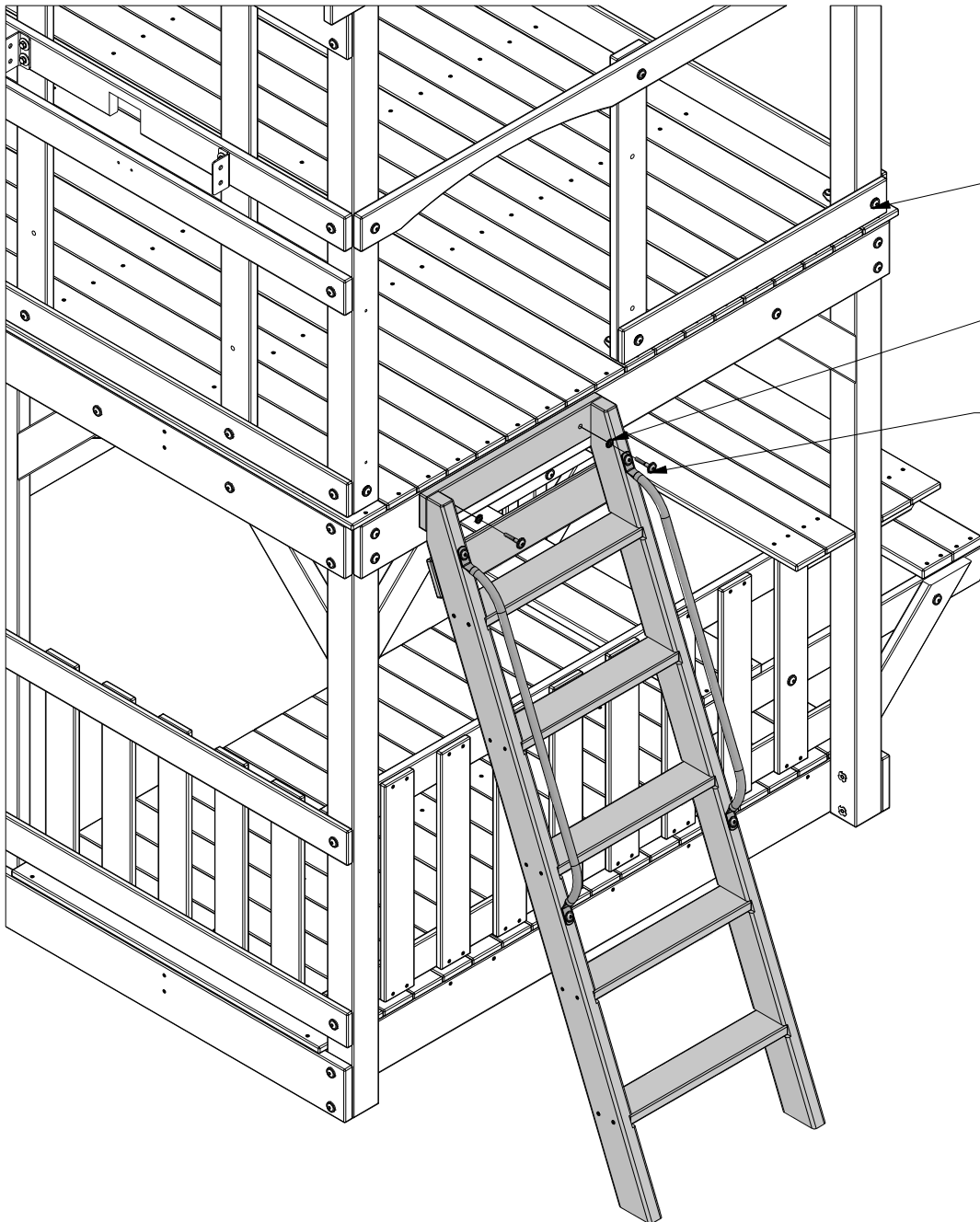
BOLT WH
(2) 5/16x1 3/4
H100011



**WASHER
LOCK EXT**
(2) 8x19
H100030



(2) **T-NUT 5/16**
H100074



NUT BARREL WH 5/16x7/8
(4 PLCS)

WASHER LOCK EXT 8x19
(4 PLCS)

BOLT WH 5/16x1 3/4
(4 PLCS)

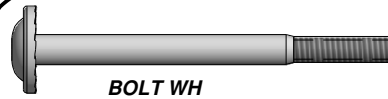


(1) **H4 - ROOF SUPPORT RAIL - W4L04623**
1"x3 3/8"x67 1/4" (24x86x1709)



(1) **H7 - FRONT CLUB HOUSE WALL RAIL - W4L04625**
1"x3 3/8"x60 1/2" (24x86x1537)

FORT ASSEMBLY
STEP 30



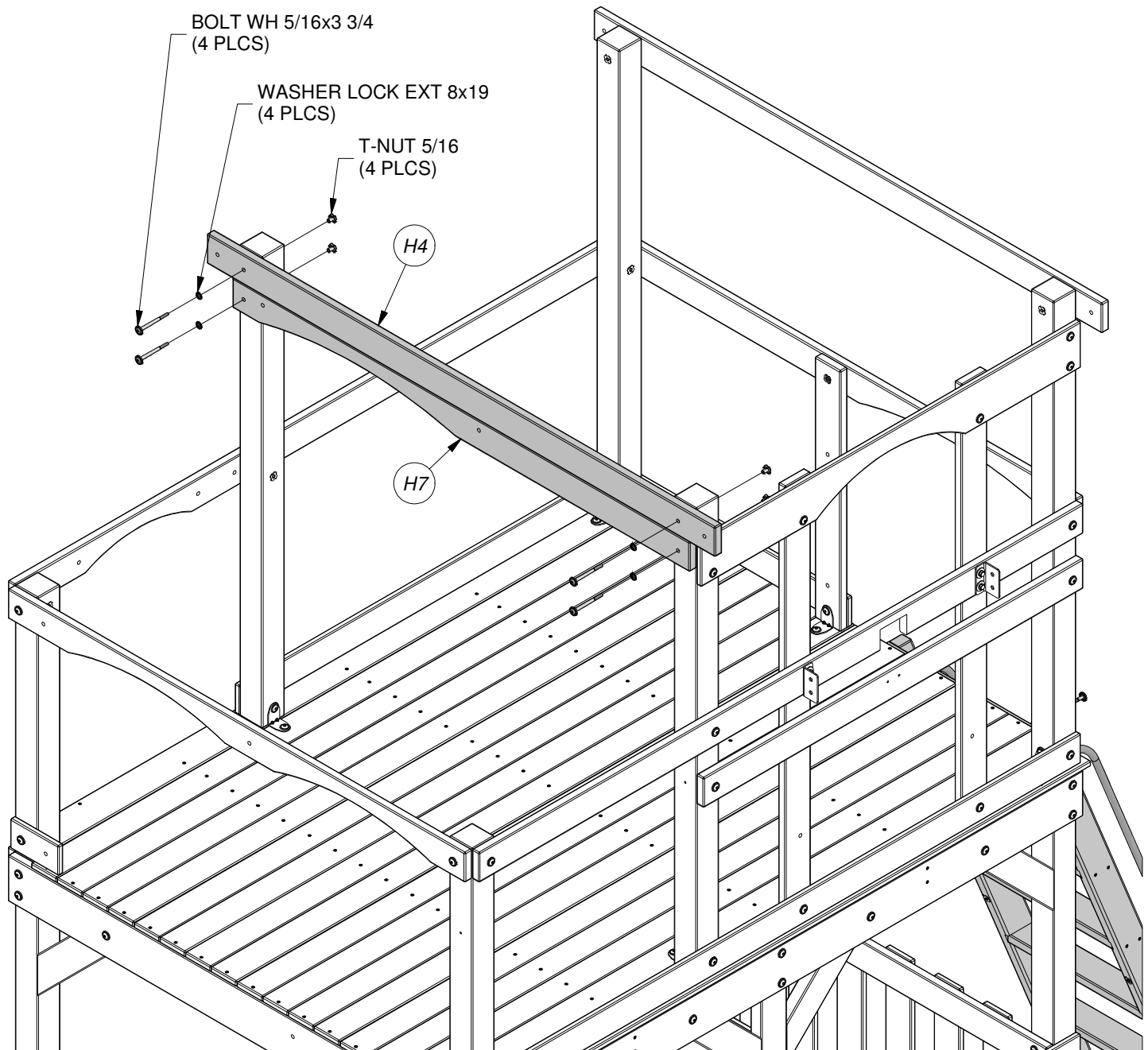
BOLT WH
(4) 5/16x3 3/4
H100019



(4) **T-NUT 5/16**
H100074



(4) **WASHER LOCK EXT**
8x19
H100030

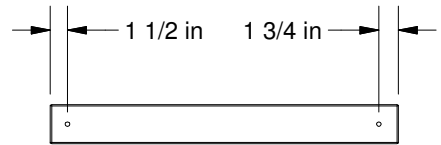




L BRACKET
 (1) 2.5x38x50x55
 A100340

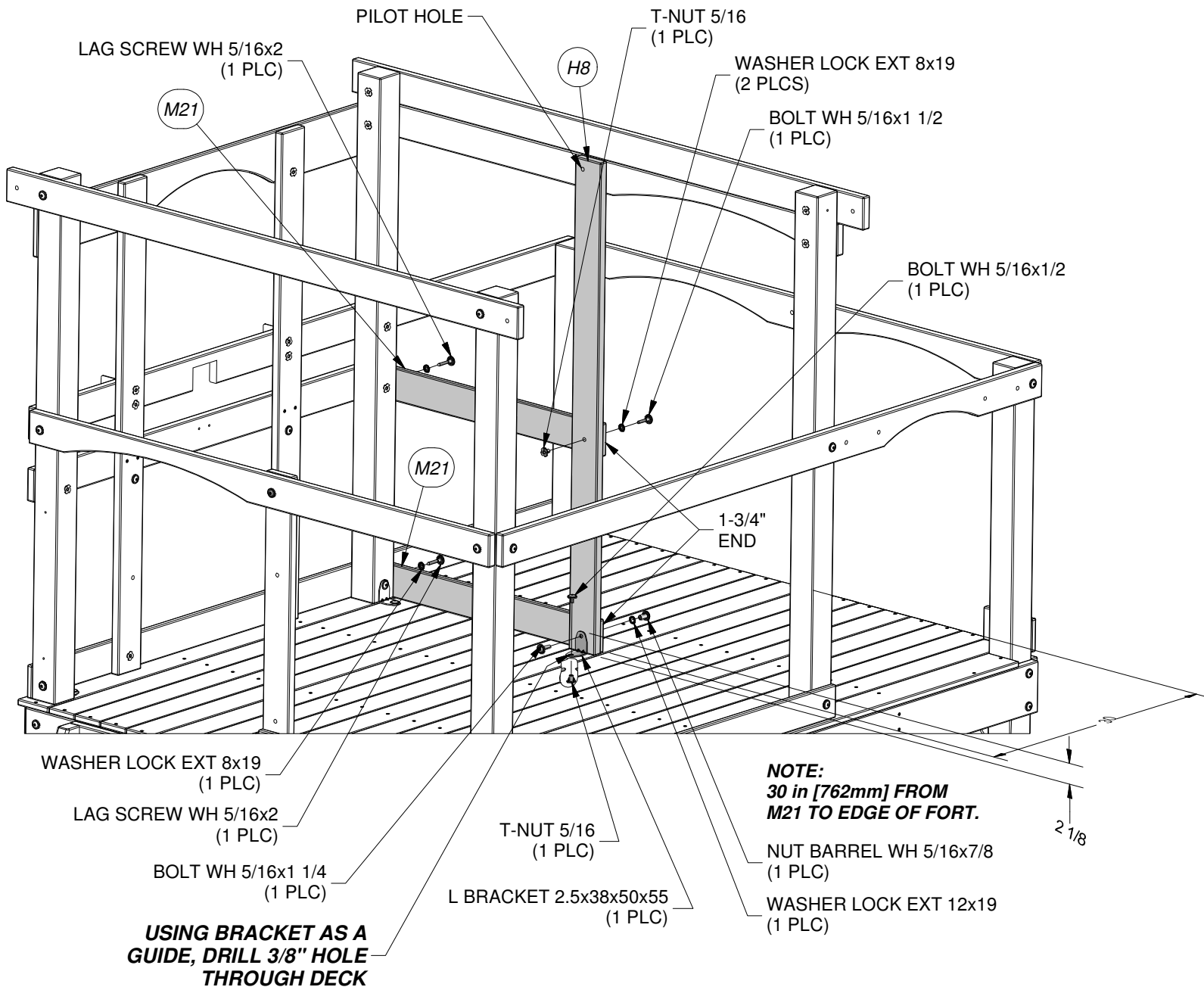
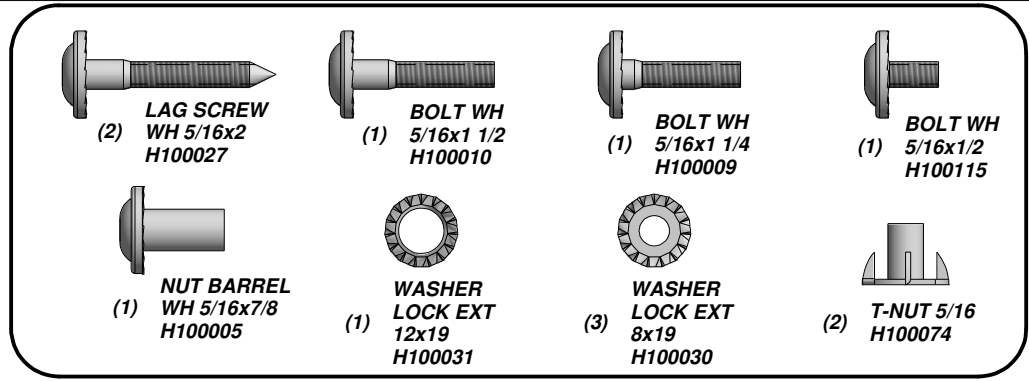


(1) **H8 - CLUB HOUSE LEG - W4L04637**
 1"x3 3/8"x50 1/2" (24x86x1284)



(2) **M21 - CLUB HOUSE WALL RAIL - W4L04613**
 5/8"x3 3/8"x30 1/4" (16x86x768)

**FORT ASSEMBLY
 STEP 31**

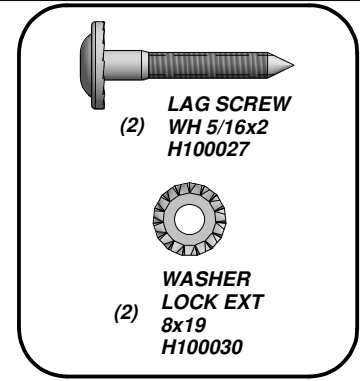


**USING BRACKET AS A
 GUIDE, DRILL 3/8" HOLE
 THROUGH DECK**



(1) **H13 - CLUB HOUSE WALL RAIL - W4L04624**
1"x3 3/8"x50 1/4" (24x86x1277)

FORT ASSEMBLY
STEP 32



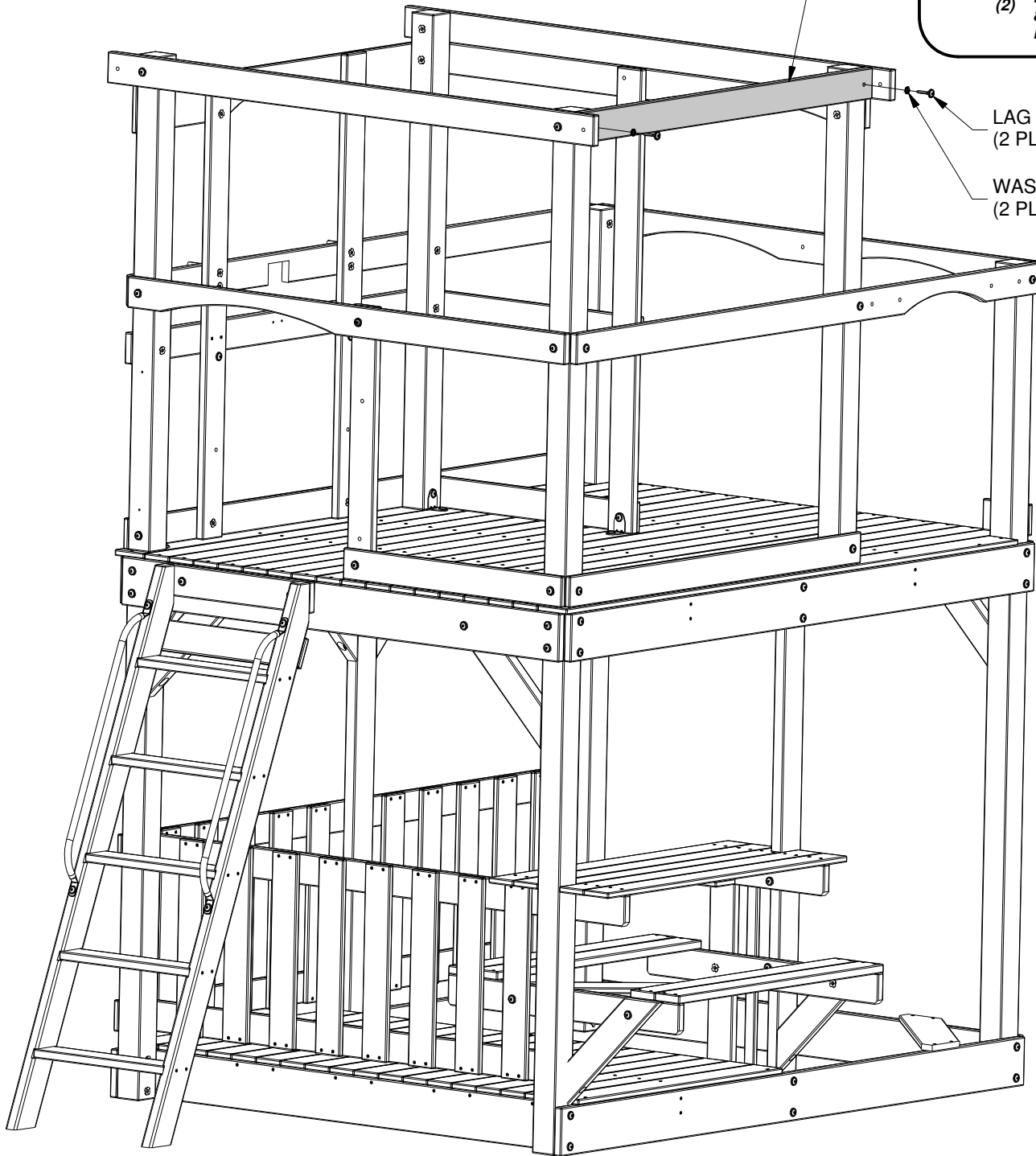
LAG SCREW
(2) **WH 5/16x2**
H100027

WASHER
LOCK EXT
(2) **8x19**
H100030

H13

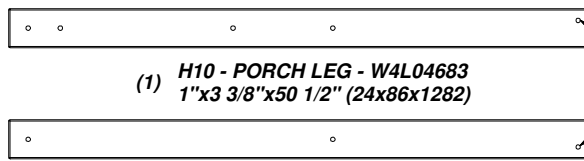
LAG SCREW WH 5/16x2
(2 PLCS)

WASHER LOCK EXT 8x19
(2 PLCS)





L BRACKET
 (1) 2.5x38x50x55
 A100340

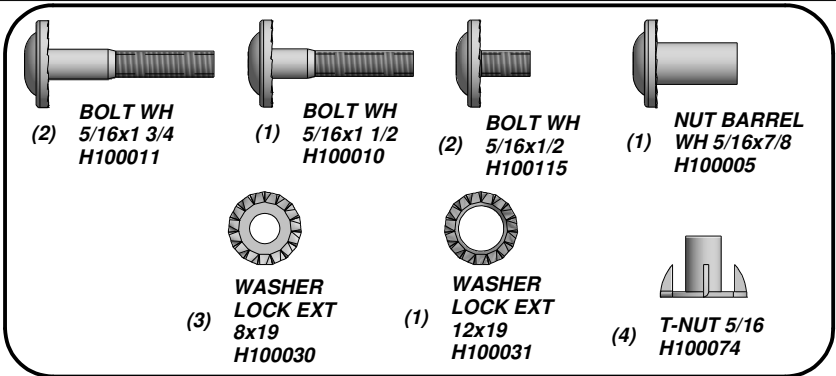


(1) **H10 - PORCH LEG - W4L04683**
 1"x3 3/8"x50 1/2" (24x86x1282)

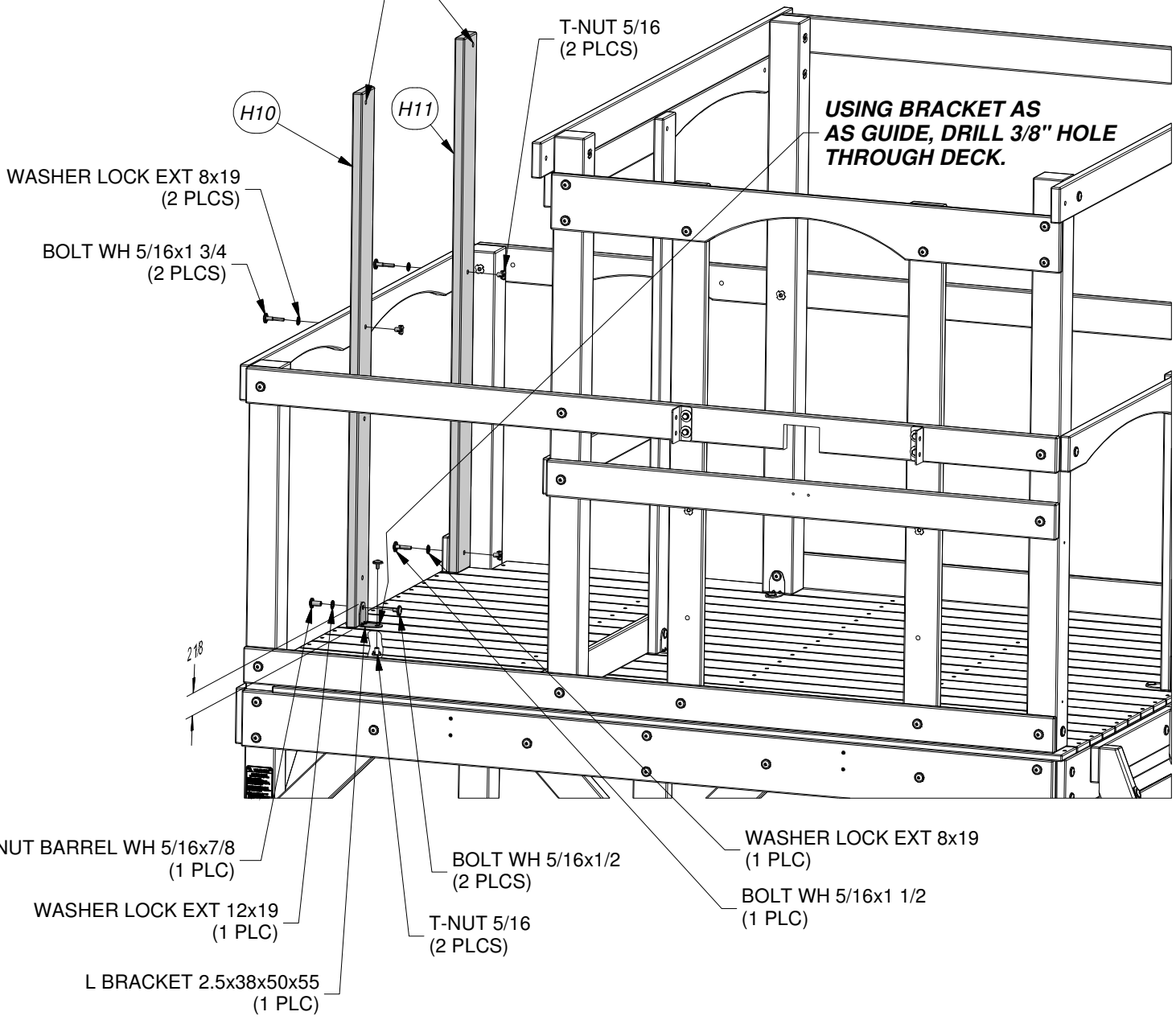
(1) **H11 - PORCH LEG - W4L04610**
 1"x3 3/8"x50 1/2" (24x86x1282)

NOTE:
HOLES GO OUTWARD
WHEN INSTALLED.

FORT ASSEMBLY
STEP 33

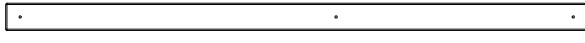


NOTE:
HOLES GO OUTWARD.

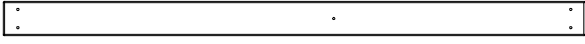




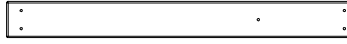
(2) **M8 - CLUB HOUSE WALL BOARD - W4L04630**
5/8"x3 3/8"x50 1/2" (16x86x1284)



(2) **N1 - CLUB HOUSE WALL BOARD - W4L04629**
5/8"x2 3/8"x50 1/2" (16x60x1284)



(2) **M9 - CLUB HOUSE WALL BOARD - W4L04631**
5/8"x3"x50 1/2" (16x76x1284)

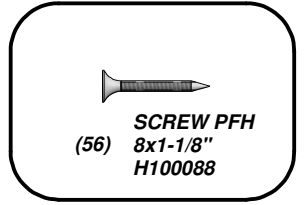


(2) **M23 - CLUB HOUSE WALL BOARD - W4L04634**
5/8"x3 1/8"x29 7/8" (16x80x758)

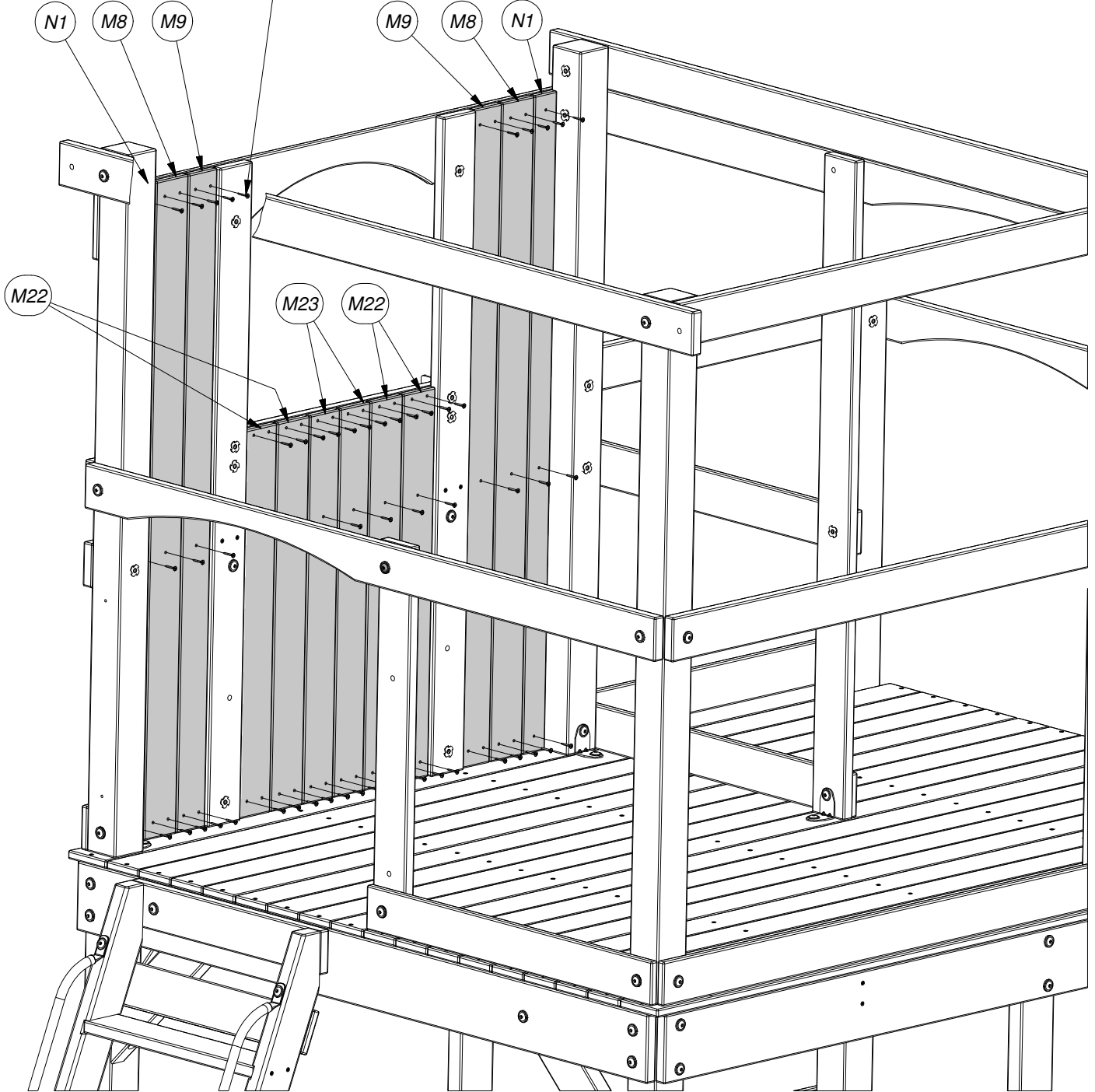


(4) **M22 - CLUB HOUSE WALL BOARD - W4L04633**
5/8"x3 3/8"x29 7/8" (16x86x758)

FORT ASSEMBLY STEP 34



SCREW PFH 8x1-1/8"
(56 PLCS)

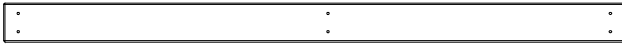




(2) M26 - WALL BOARD - W4L04636
5/8"x3 3/8"x26 1/8" (16x86x664)

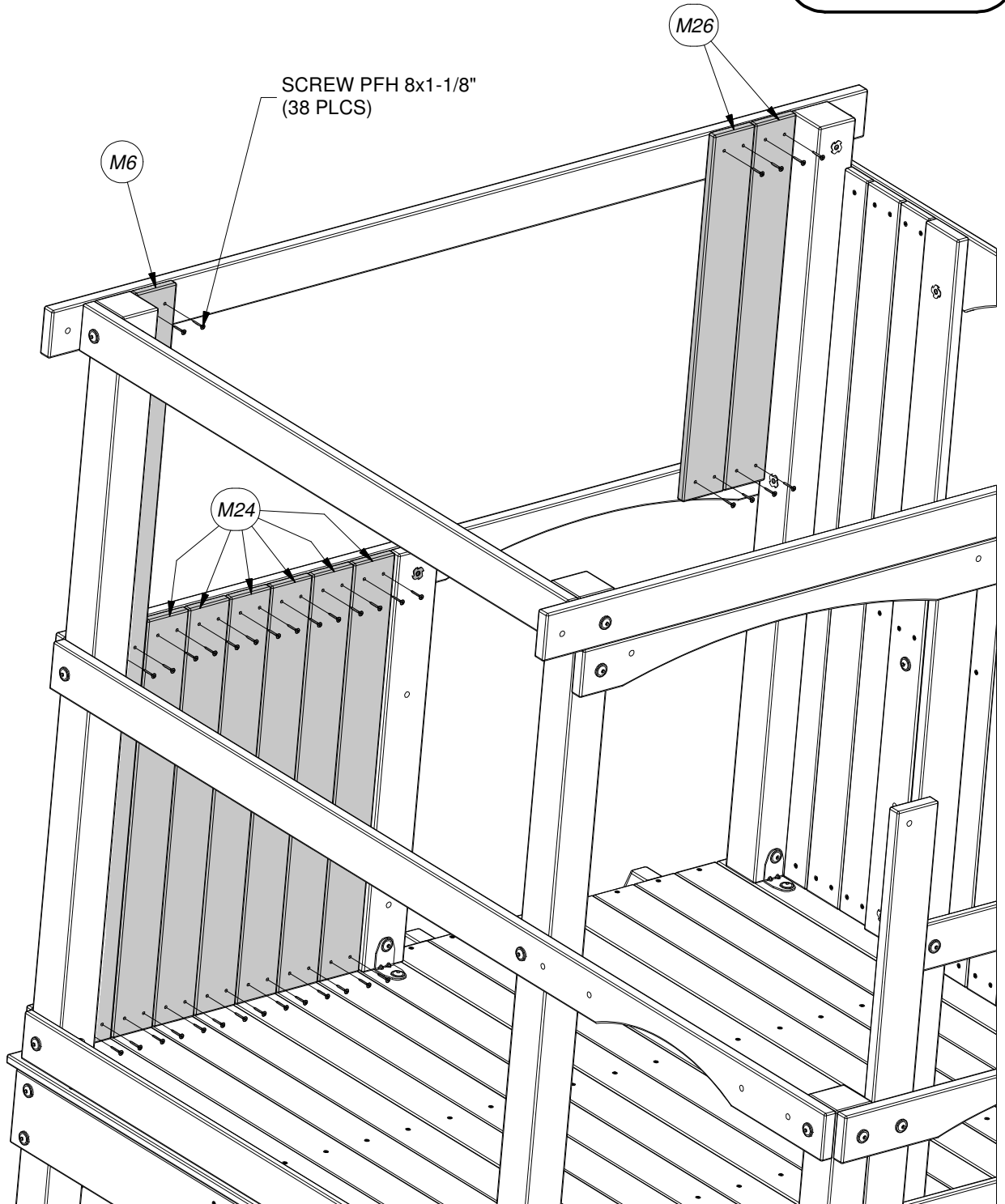
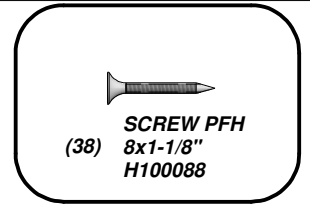


(6) M24 - WALL BOARD - W4L04632
5/8"x3 3/8"x29 7/8" (16x86x758)



(1) M6 - CLUB HOUSE WALL BOARD - W4L04635
5/8"x3 3/8"x53 7/8" (16x86x1370)

**FORT ASSEMBLY
STEP 35**





(5) **M8 - CLUB HOUSE WALL BOARD - W4L04630**
5/8"x3 3/8"x50 1/2" (16x86x1284)

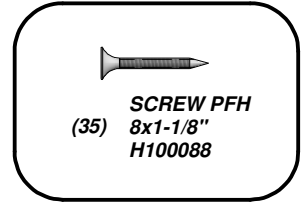


(2) **M33 - FRONT WINDOW WALL BOARD - W4L04638**
5/8"x3 3/8"x6 3/8" (16x86x162)

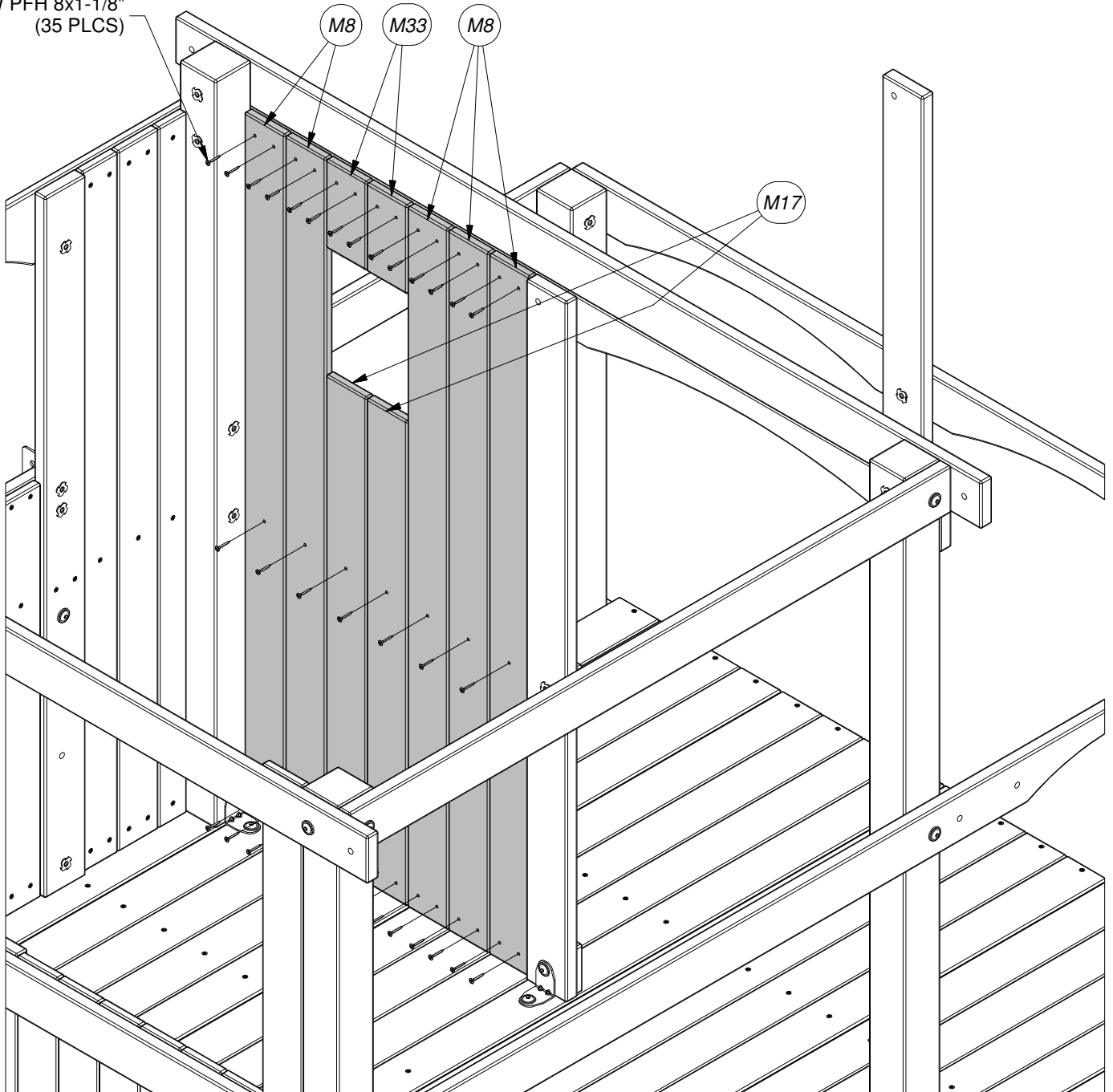


(2) **M17 - FRONT WINDOW WALL BOARD - W4L04639**
5/8"x3 3/8"x35" (16x86x889)

FORT ASSEMBLY
STEP 36



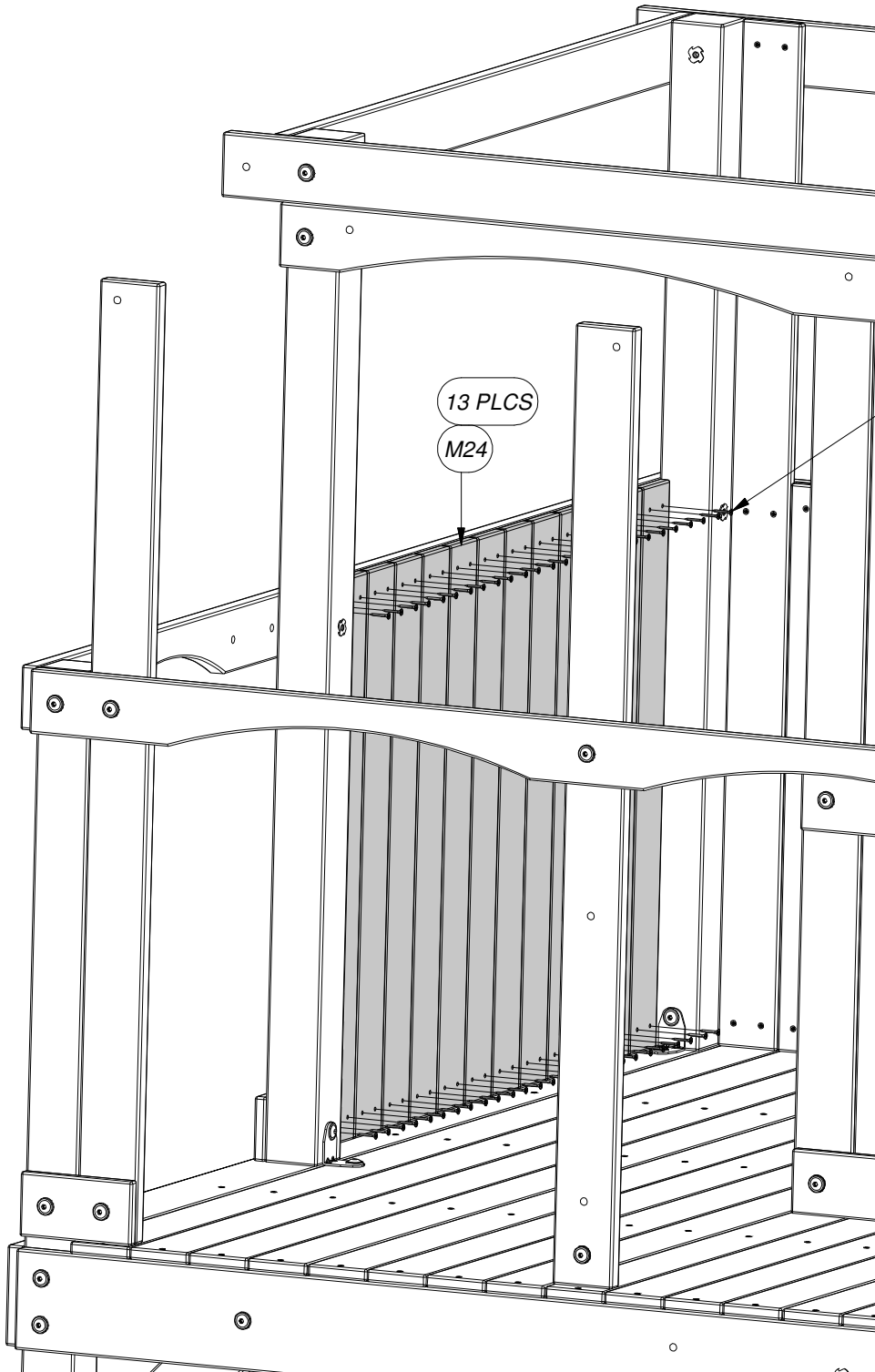
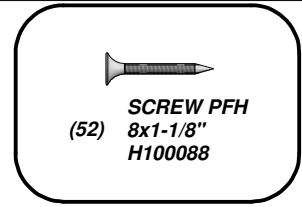
SCREW PFH 8x1-1/8"
(35 PLCS)





(13) M24 - WALL BOARD - W4L04632
5/8"x3 3/8"x29 7/8" (16x86x758)

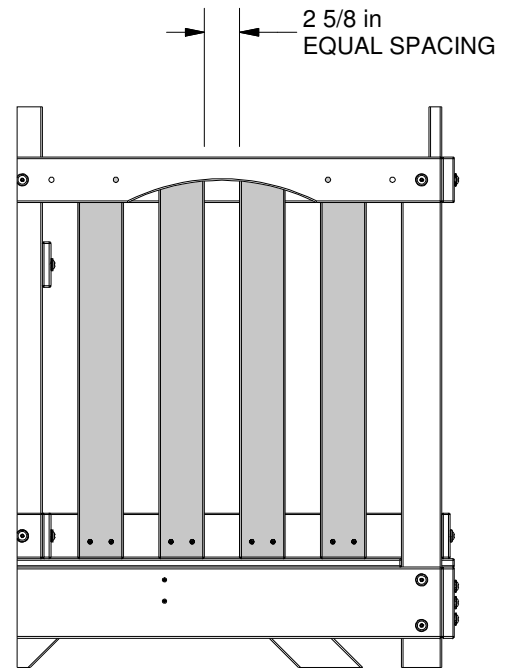
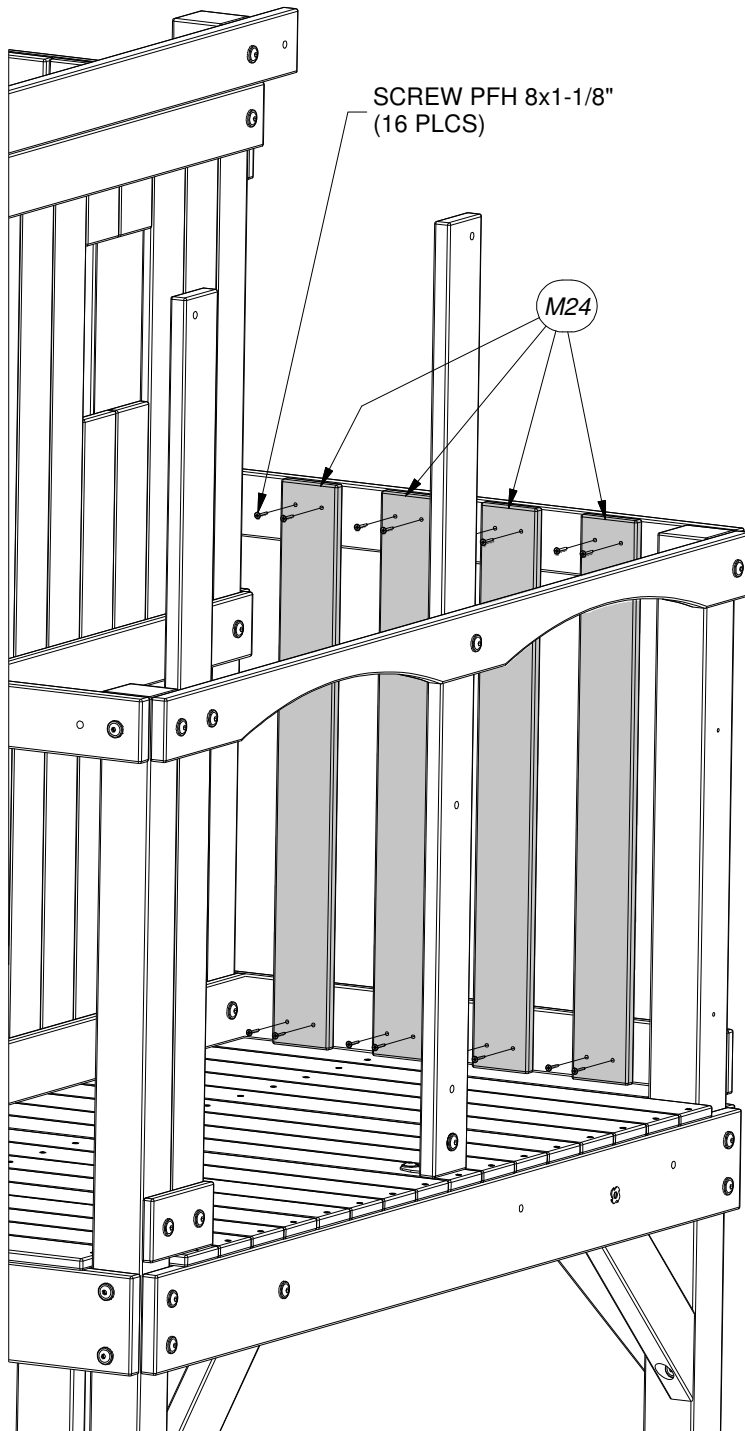
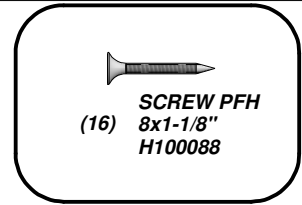
**FORT ASSEMBLY
STEP 37**





(4) **M24 - WALL BOARD - W4L04632**
5/8"x3 3/8"x29 7/8" (16x86x758)


FORT ASSEMBLY
STEP 38




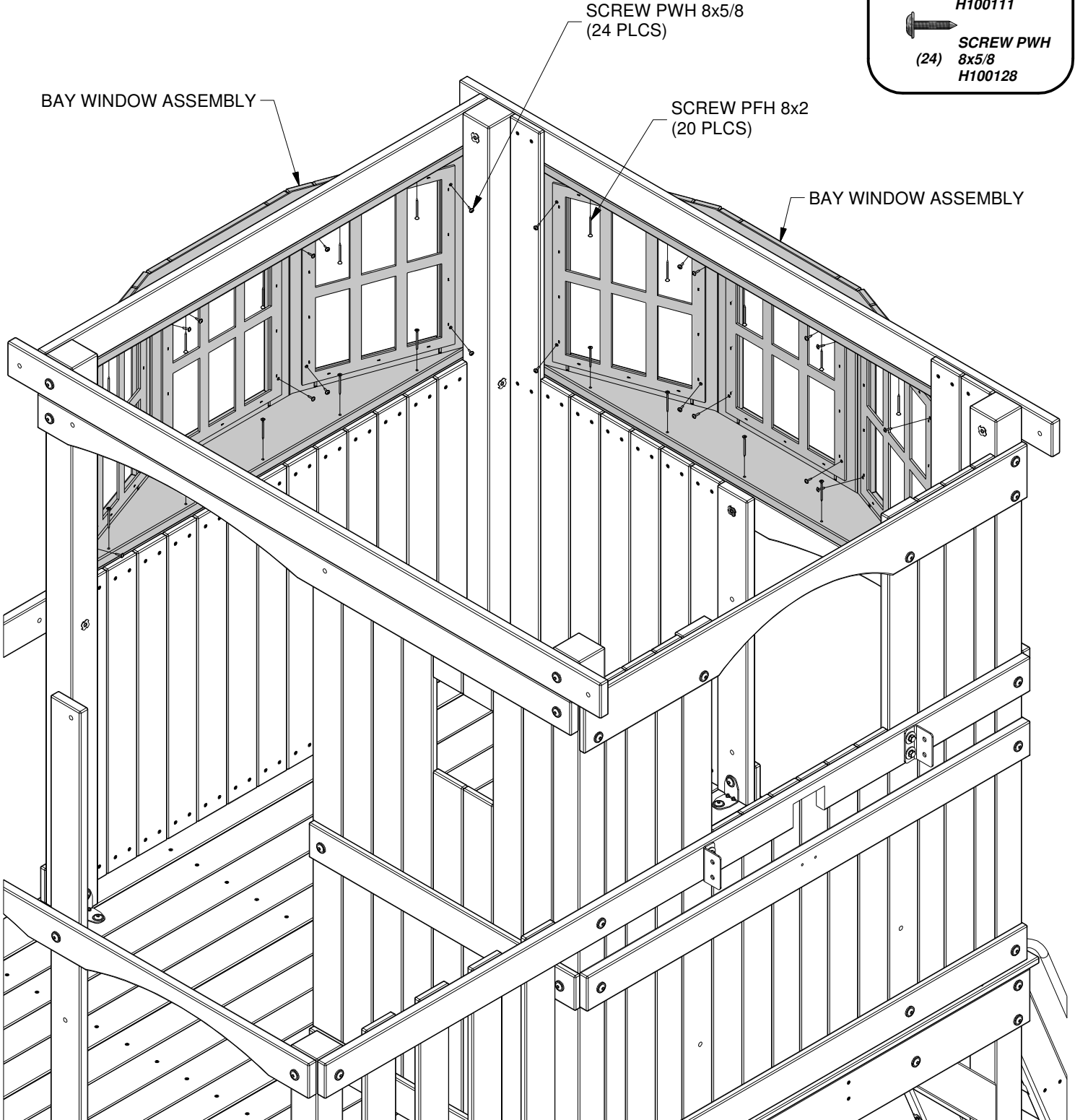


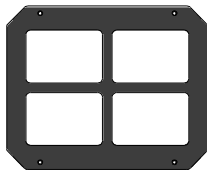
(2) BAY WINDOW ASSEMBLY

**FORT ASSEMBLY
STEP 39**

 **SCREW PFH**
(20) 8x2
H100111

 **SCREW PWH**
(24) 8x5/8
H100128





(1) - WINDOW 216x267 GREEN - A100146

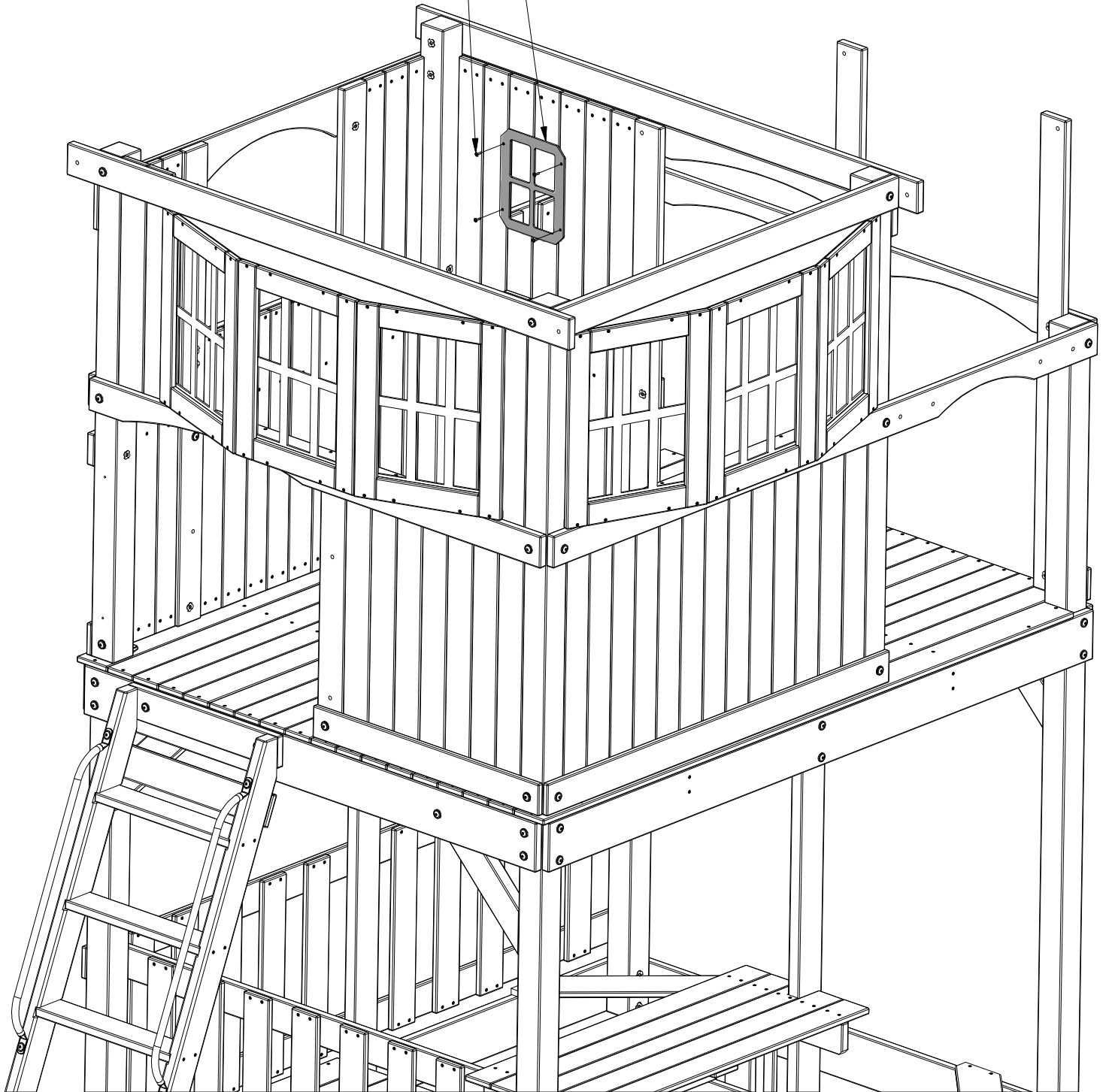
**FORT ASSEMBLY
STEP 40**

WINDOW 216x267 GREEN
(1 PLC)

SCREW PWH 8x3/4
(4 PLCS)



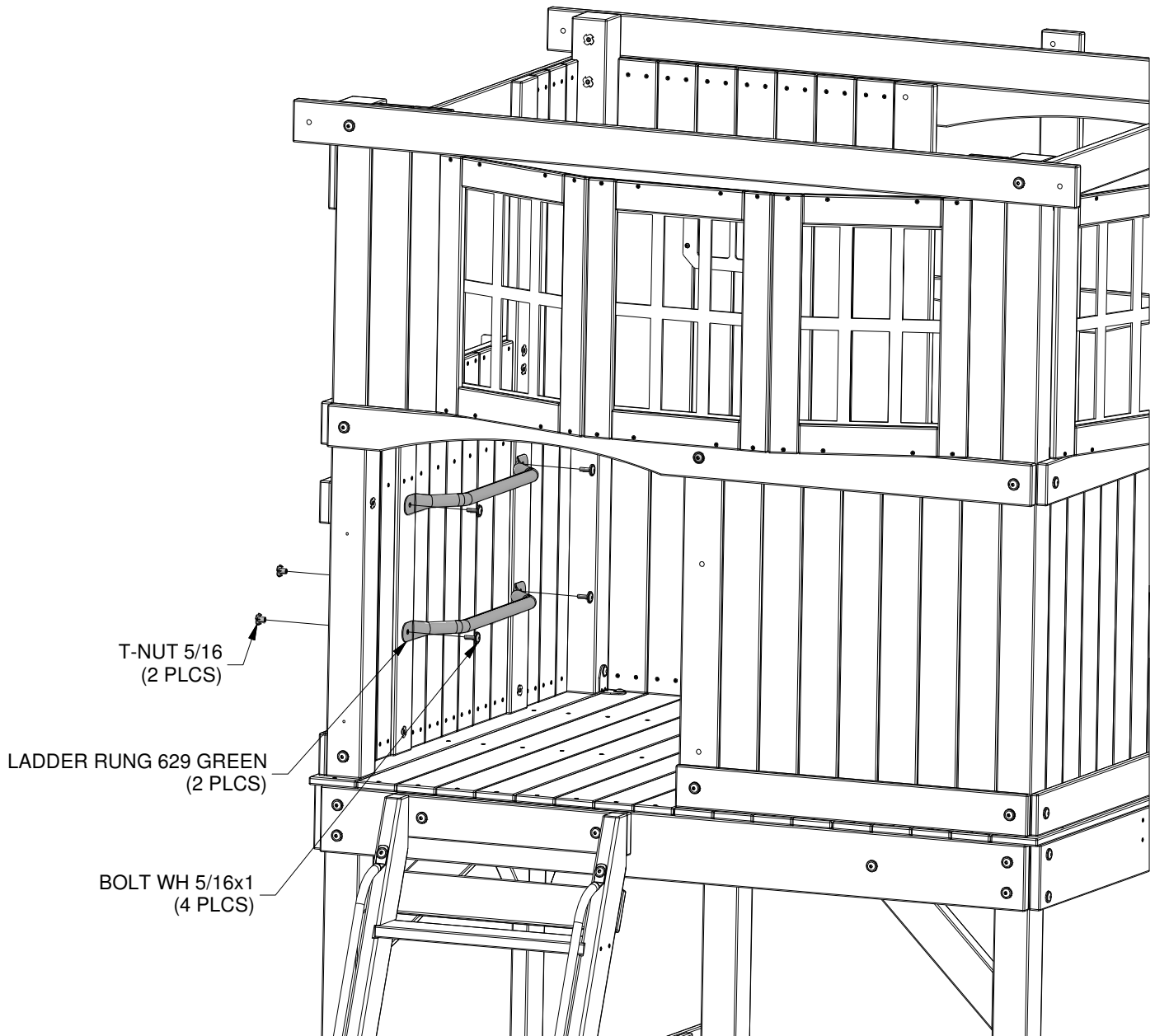
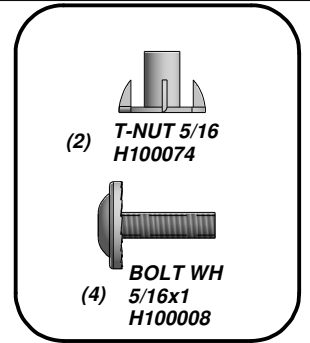
SCREW PWH
(4) 8x3/4
H100070





(2) - LADDER RUNG 629 GREEN - A100324

**FORT ASSEMBLY
STEP 41**



T-NUT 5/16
(2 PLCS)

LADDER RUNG 629 GREEN
(2 PLCS)

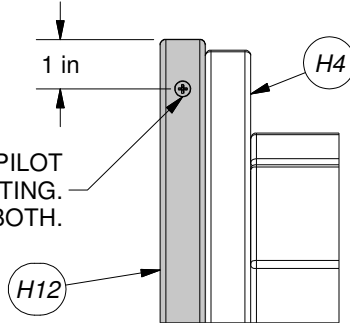
BOLT WH 5/16x1
(4 PLCS)


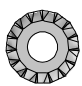

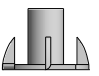


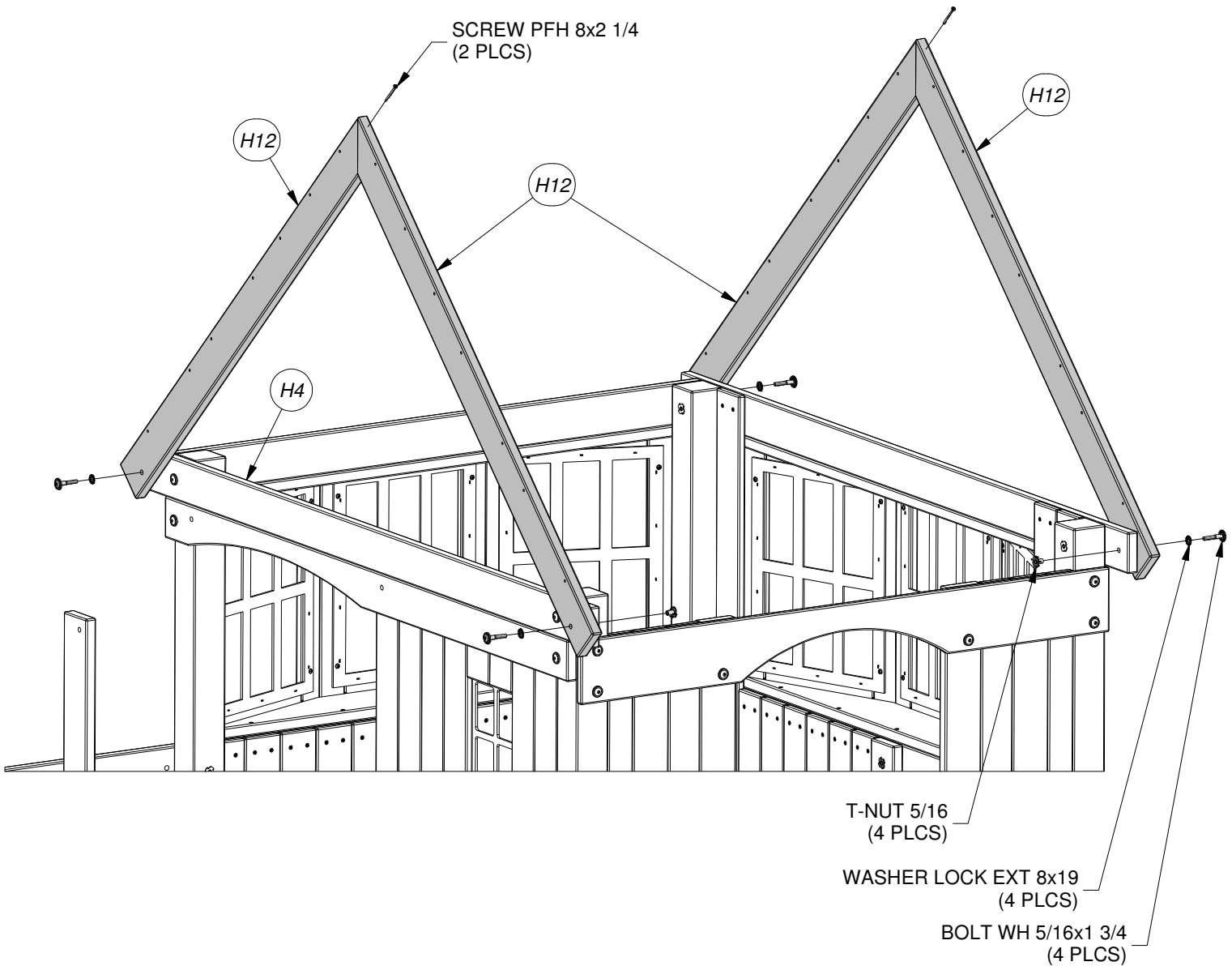
(4) **H12 - ROOF RAFTER - W4L04640**
 1"x3 3/8"x50 3/8" (24x86x1278)

FORT ASSEMBLY
STEP 42

USING A 3/16" DRILL BIT, MARK AND DRILL A PILOT HOLE INTO 'H12' RAFTER TO PREVENT SPLITTING. ONLY DRILL THROUGH ONE RAFTER NOT BOTH.



	BOLT WH (4) 5/16x1 3/4 H100011		WASHER LOCK EXT (4) 8x19 H100030
	SCREW PFH (2) 8x2 1/4 H100091		T-NUT 5/16 (4) H100074



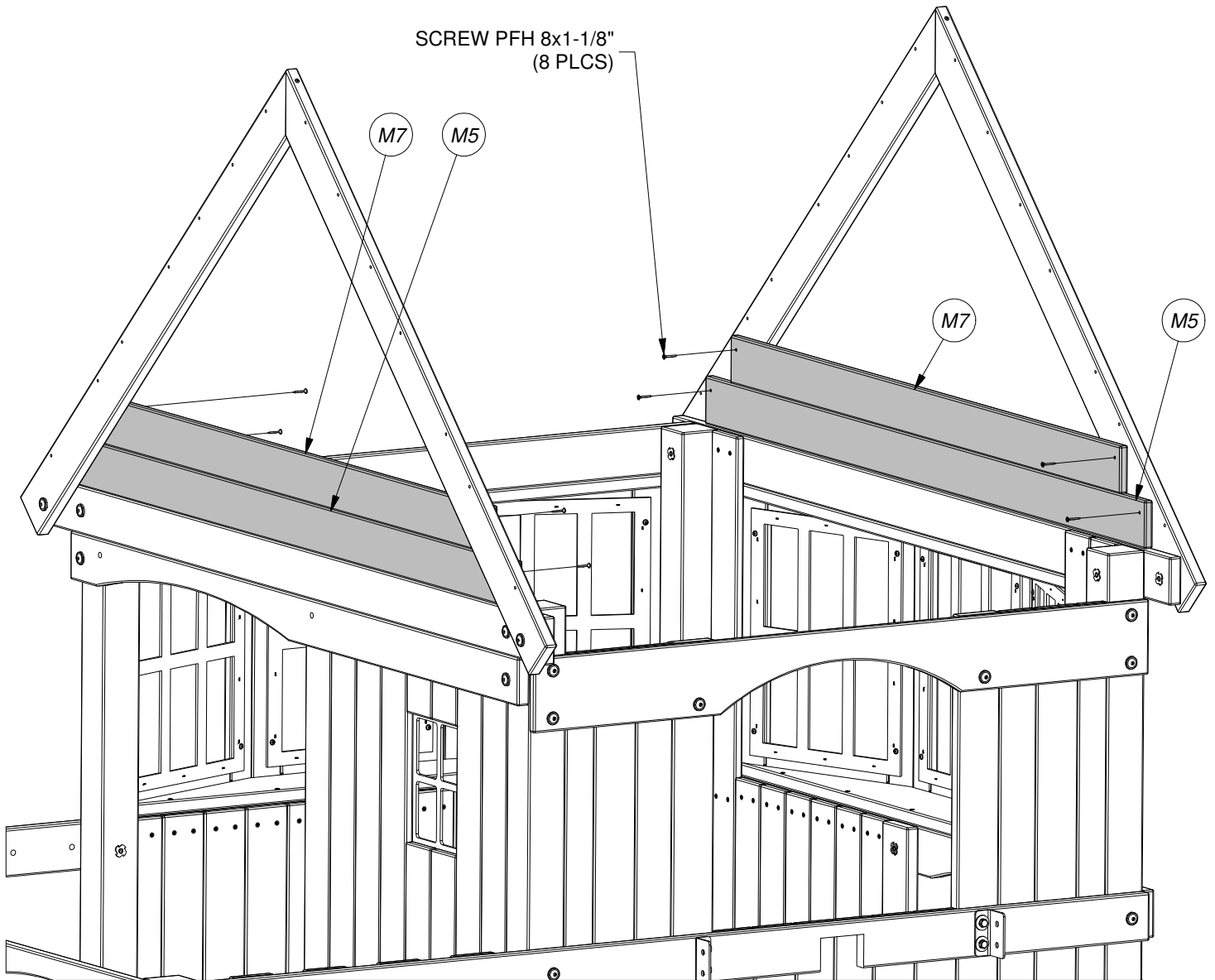
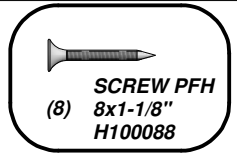


(2) **M5 - GABLE BOARD - W4L04641**
5/8"x3 3/8"x59 1/2" (16x86x1510)



(2) **M7 - GABLE BOARD - W4L04642**
5/8"x3 3/8"x52 5/8" (16x86x1338)

FORT ASSEMBLY
STEP 43



(2) **N6 - WINDOW TRIM - W4L04646**
 5/8"x2 3/8"x12 1/4" (16x60x310)



(2) **M29 - GABLE WINDOW BOARD - W4L04643**
 5/8"x3 3/8"x16 1/8" (16x86x410)

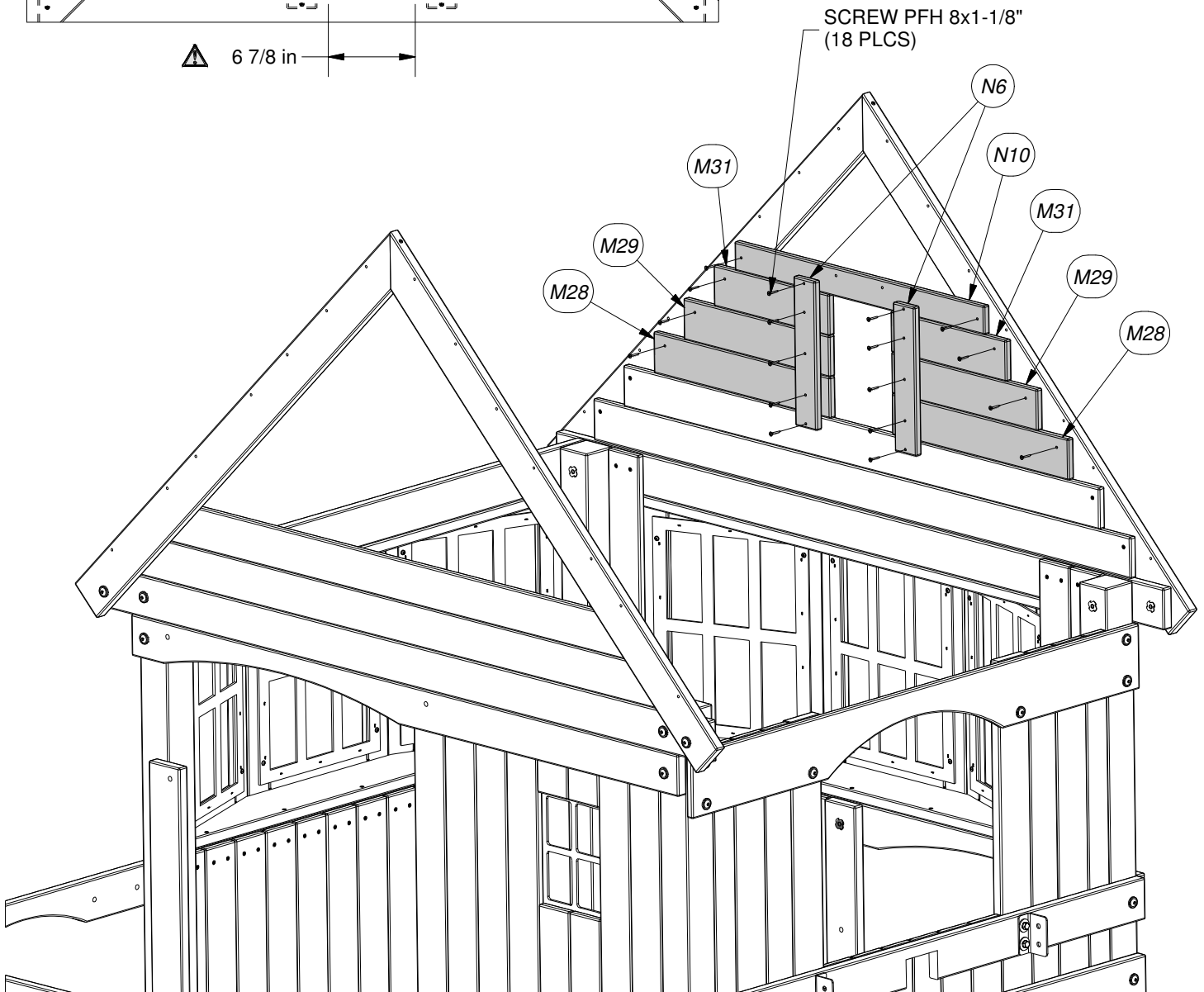
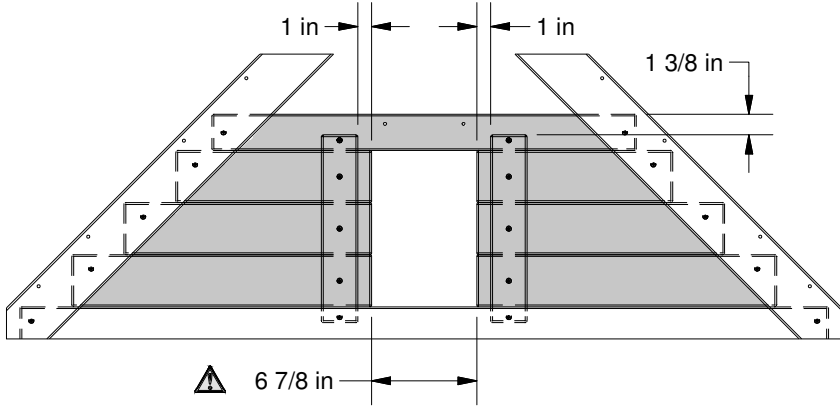
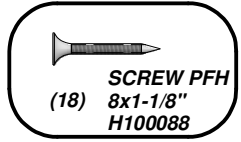


(1) **N10 - GABLE BOARD - W4L04645**
 5/8"x2 3/8"x27 5/8" (16x60x702)

(2) **M31 - GABLE WINDOW BOARD - W4L04644**
 5/8"x3 3/8"x12 3/4" (16x86x324)

(2) **M28 - GABLE WINDOW BOARD - W4L04647**
 5/8"x3 3/8"x19 1/2" (16x86x496)

FORT ASSEMBLY
STEP 44



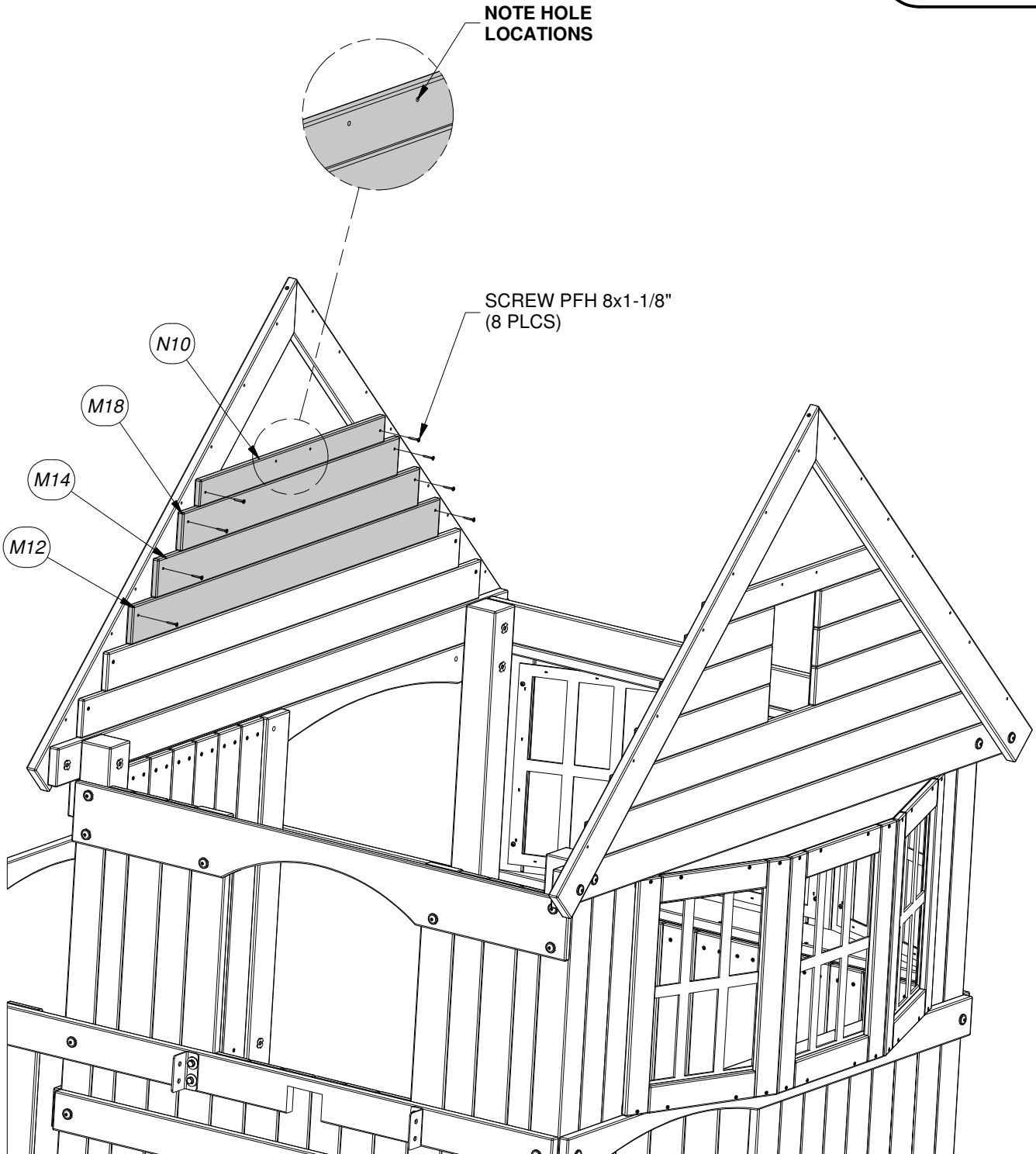
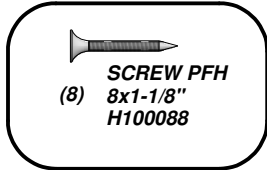
(1) **N10 - GABLE BOARD - W4L04645**
5/8"x2 3/8"x27 5/8" (16x60x702)

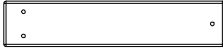
(1) **M18 - GABLE BOARD - W4L04652**
5/8"x3 3/8"x32 3/8" (16x86x822)

(1) **M14 - GABLE BOARD - W4L04651**
5/8"x3 3/8"x39 1/8" (16x86x994)

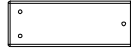
(1) **M12 - GABLE BOARD - W4L04650**
5/8"x3 3/8"x45 7/8" (16x86x1166)

FORT ASSEMBLY
STEP 45

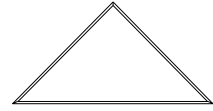




(2) **N7 - GABLE TRIM - W4L04648**
5/8"x2 3/8"x11 1/2" (16x60x292)

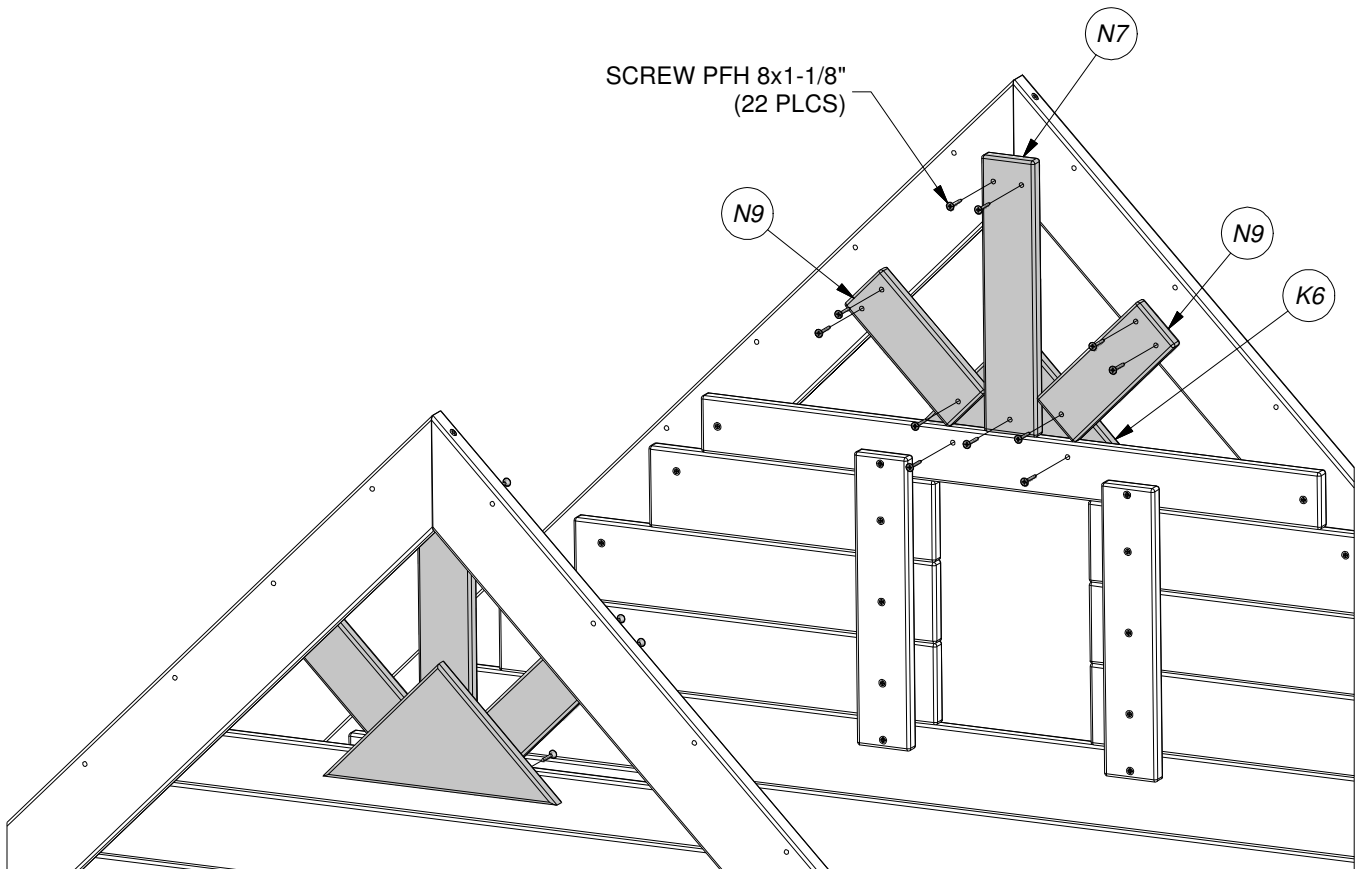
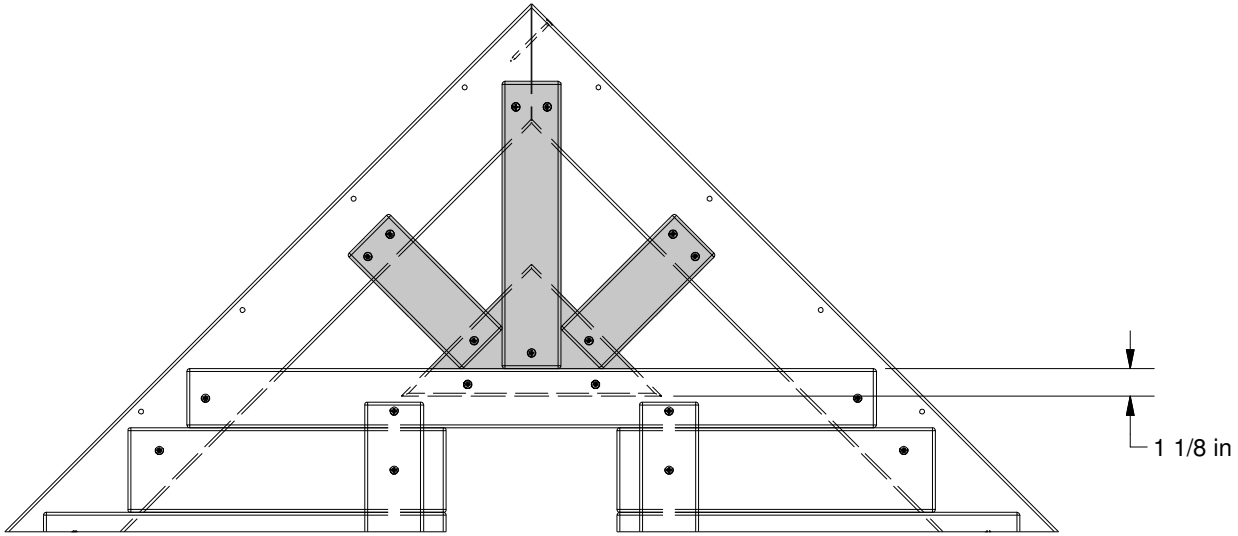
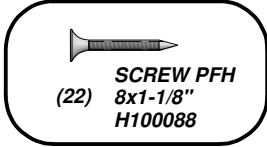


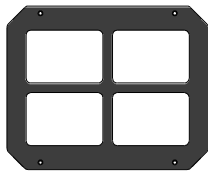
(4) **N9 - GABLE TRIM - W4L04649**
5/8"x2 3/8"x6 1/2" (16x60x165)



(2) **K6 - TRIANGLE SUNBURST - W4L04827**
5/8"x5 1/4"x10 3/8" (16x134x265)

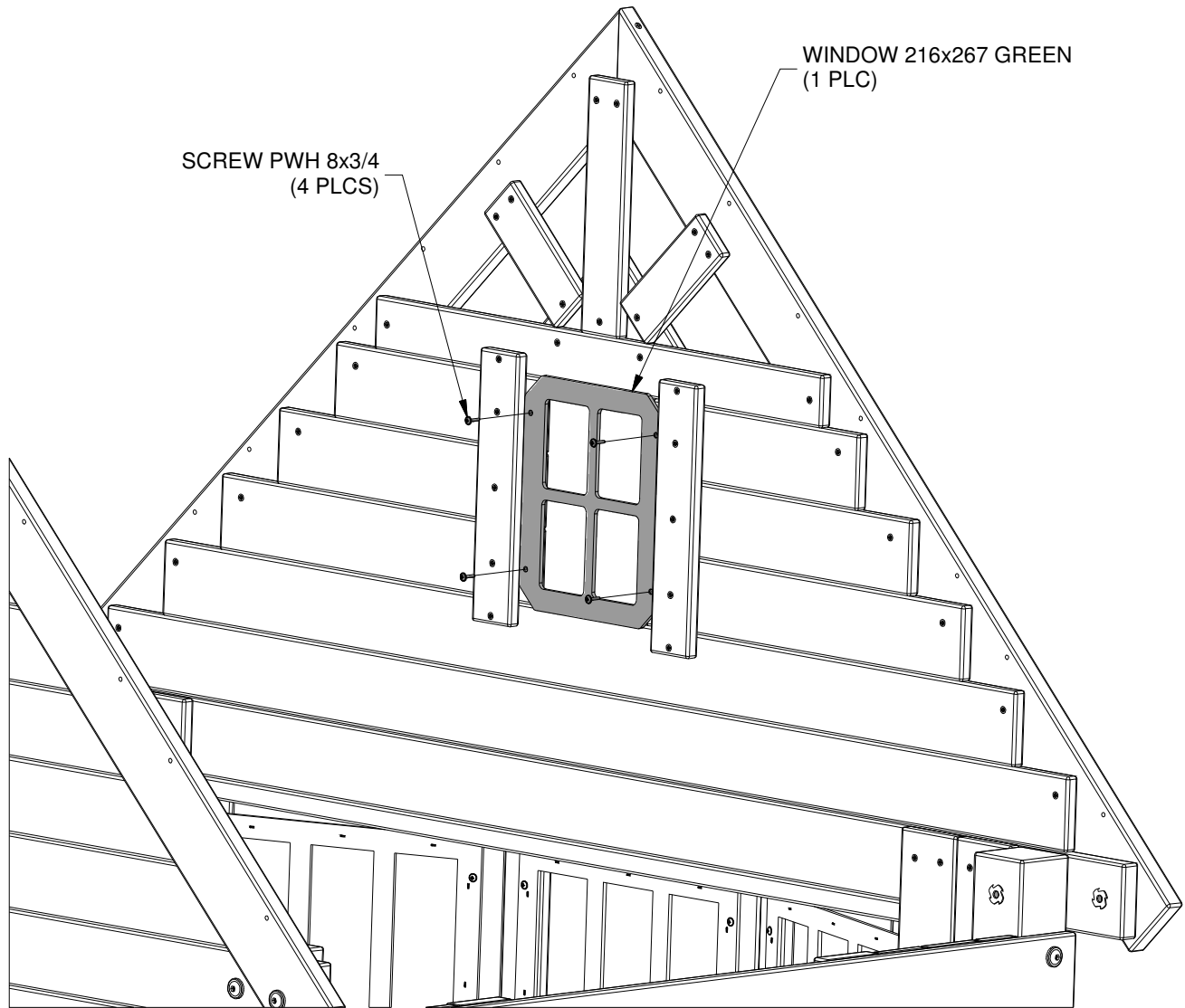
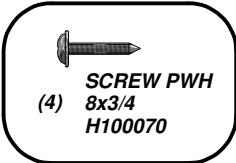
FORT ASSEMBLY
STEP 46





(1) - WINDOW 216x267 GREEN - A100146

**FORT ASSEMBLY
STEP 47**



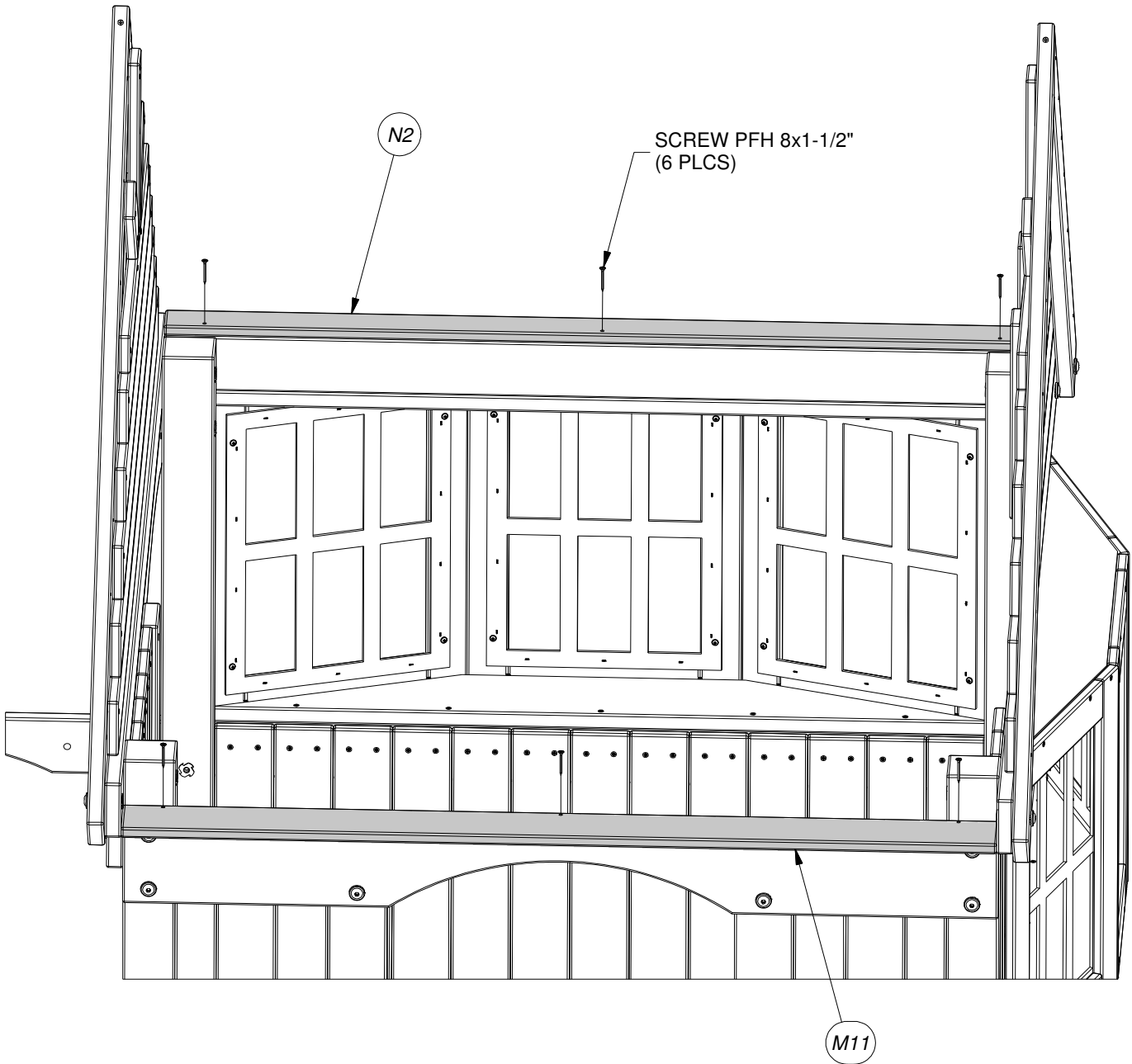
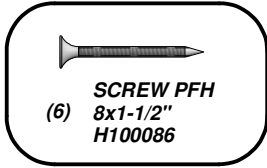


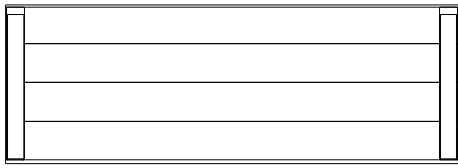
(1) M11 - SOFFIT CAP - W4L04653
5/8"x3 3/8"x50 1/4" (16x86x1277)



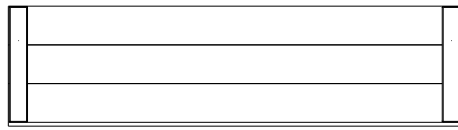
(1) N2 - SOFFIT CAP - W4L04654
5/8"x2 3/8"x50 1/4" (16x60x1277)

**FORT ASSEMBLY
STEP 48**



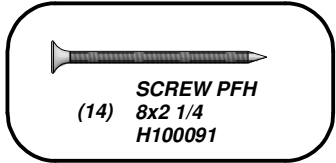


(1) RP3 - PEAK ROOF PANEL - W2A02626
1 5/8"x20 5/8"x59" (42x524x1499)



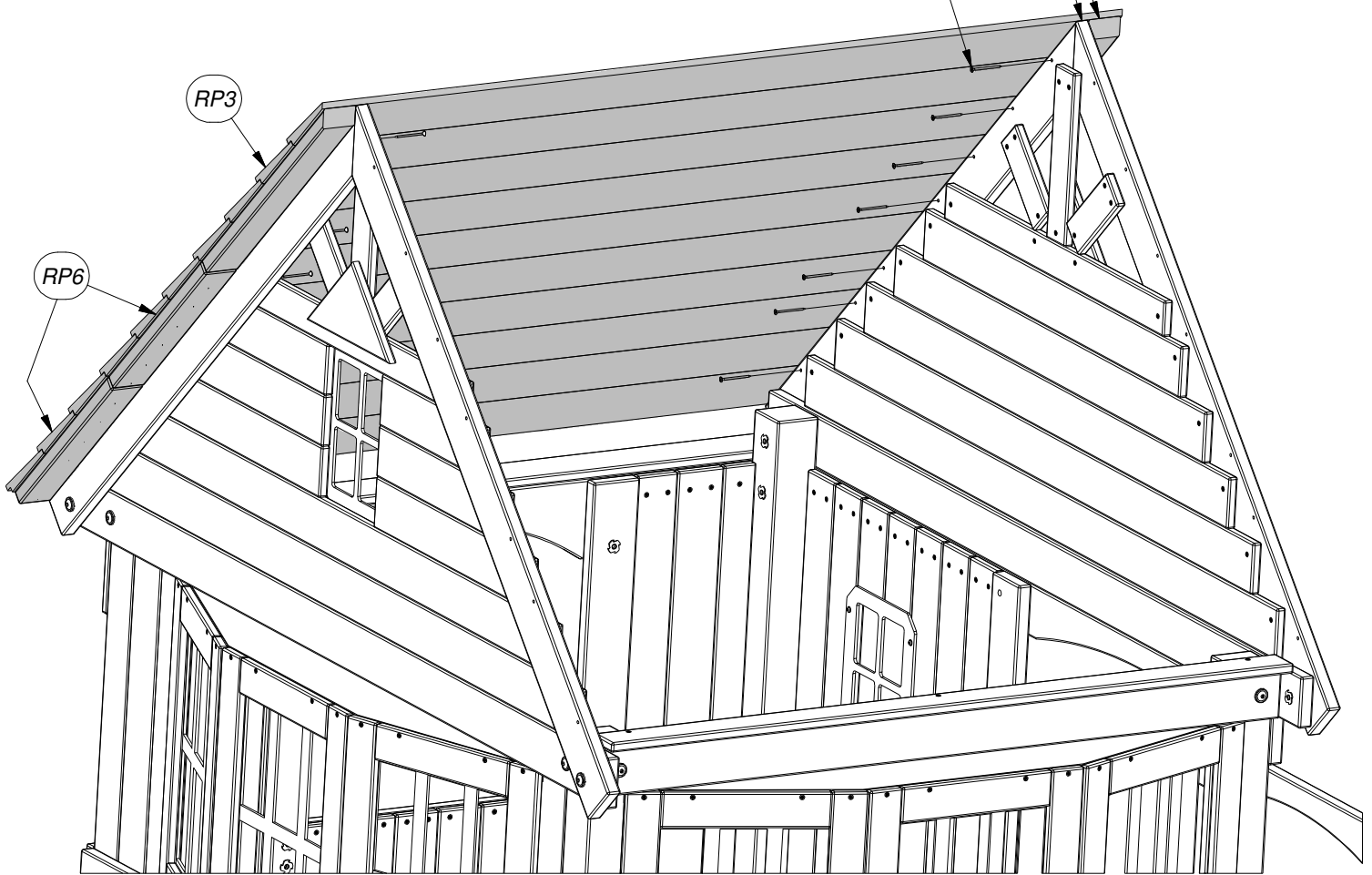
(2) RP6 - ROOF PANEL - W2A02627
1 5/8"x15 5/8"x59" (42x396x1499)

FORT ASSEMBLY
STEP 49



NOTE:
START WITH TOP PANEL FIRST.
FLUSH EDGES.

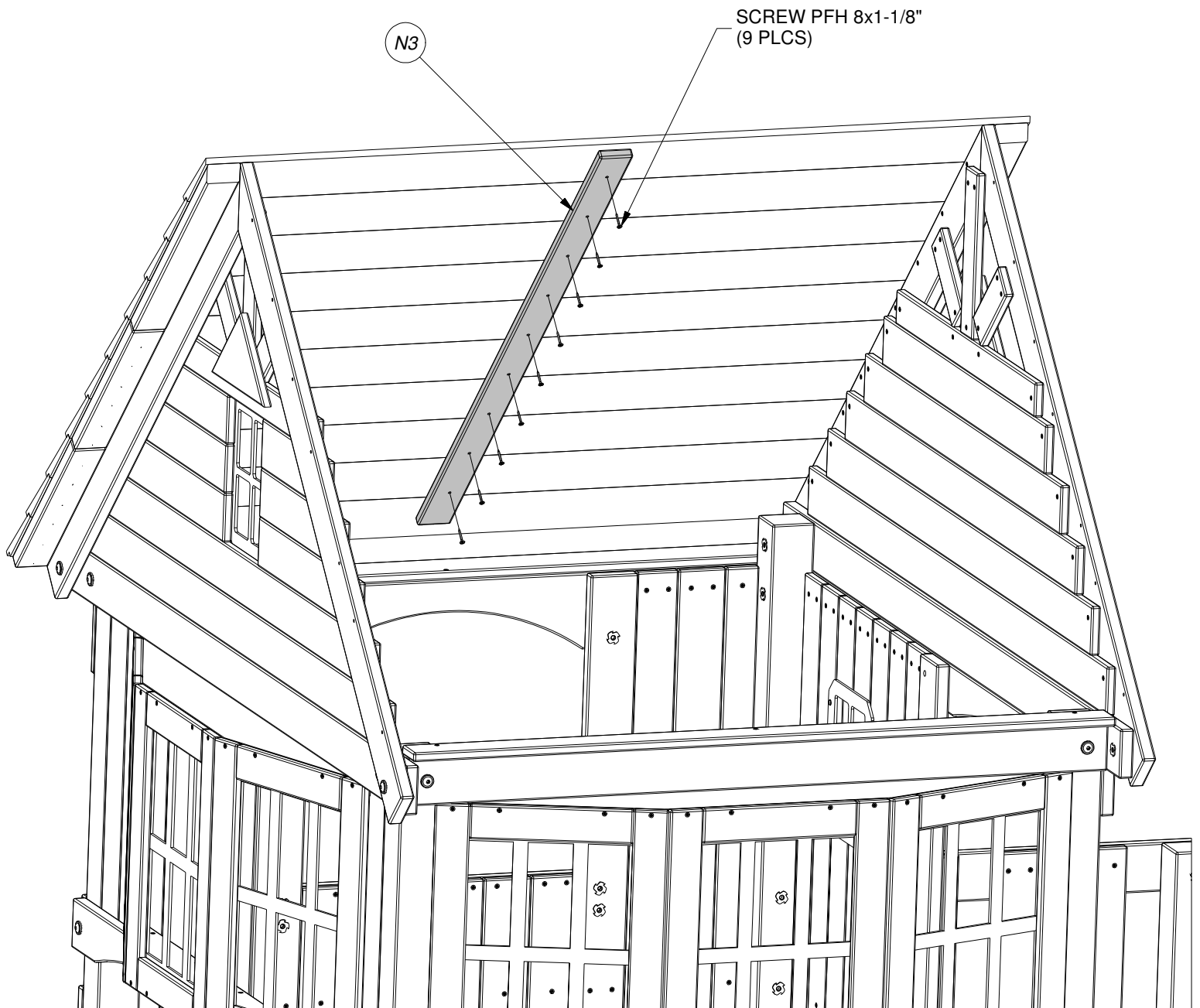
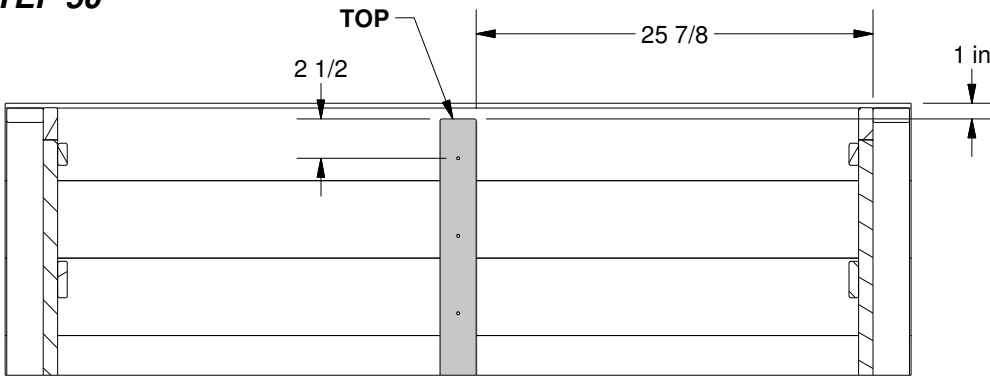
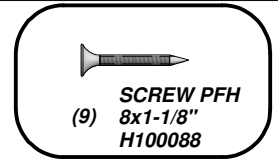
SCREW PFH 8x2 1/4
(14 PLCS)





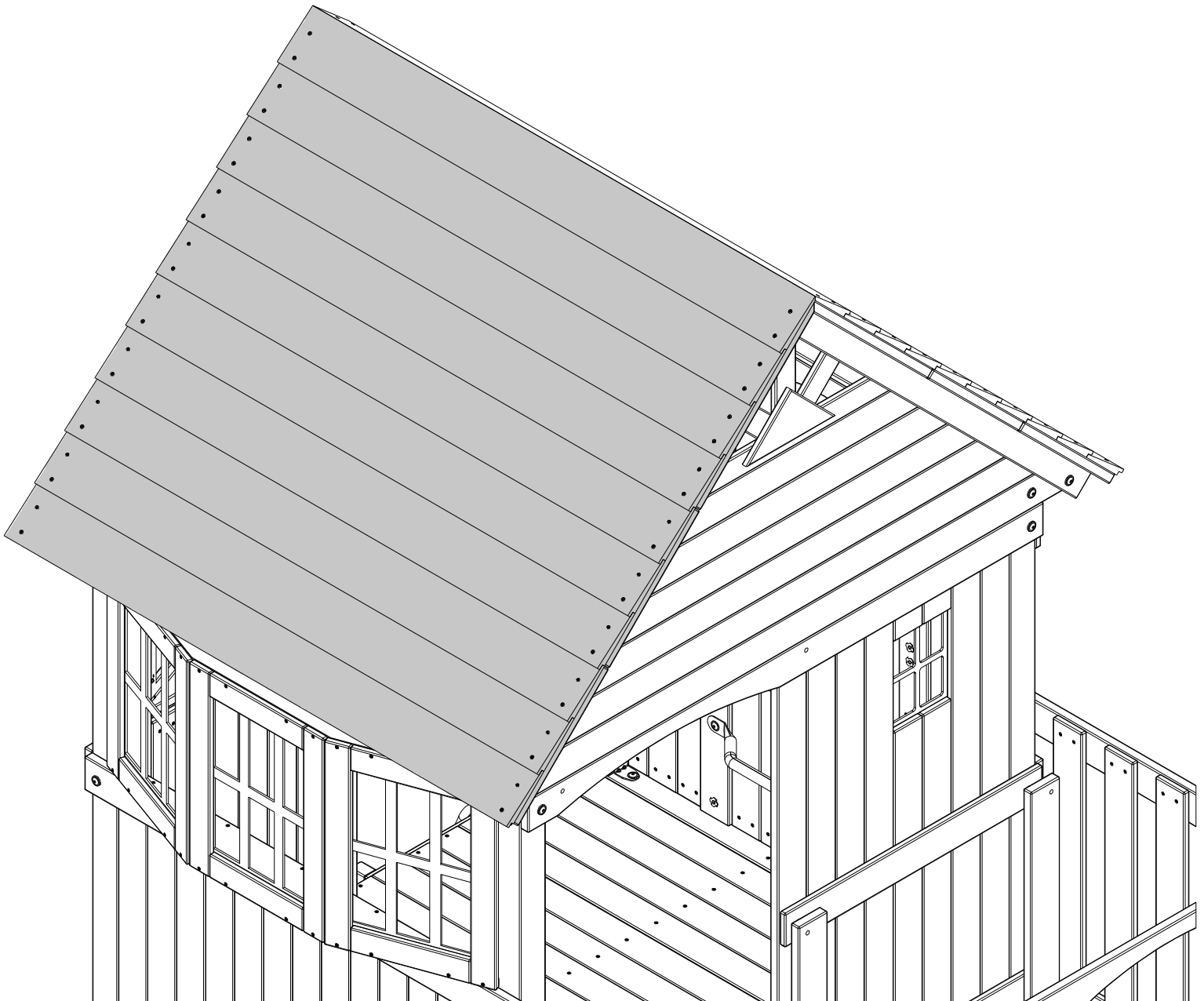
(1) **N3 - ROOF SUPPORT - W103535**
5/8"x2 3/8"x47" (16x60x1193)

FORT ASSEMBLY
STEP 50



FORT ASSEMBLY
STEP 51

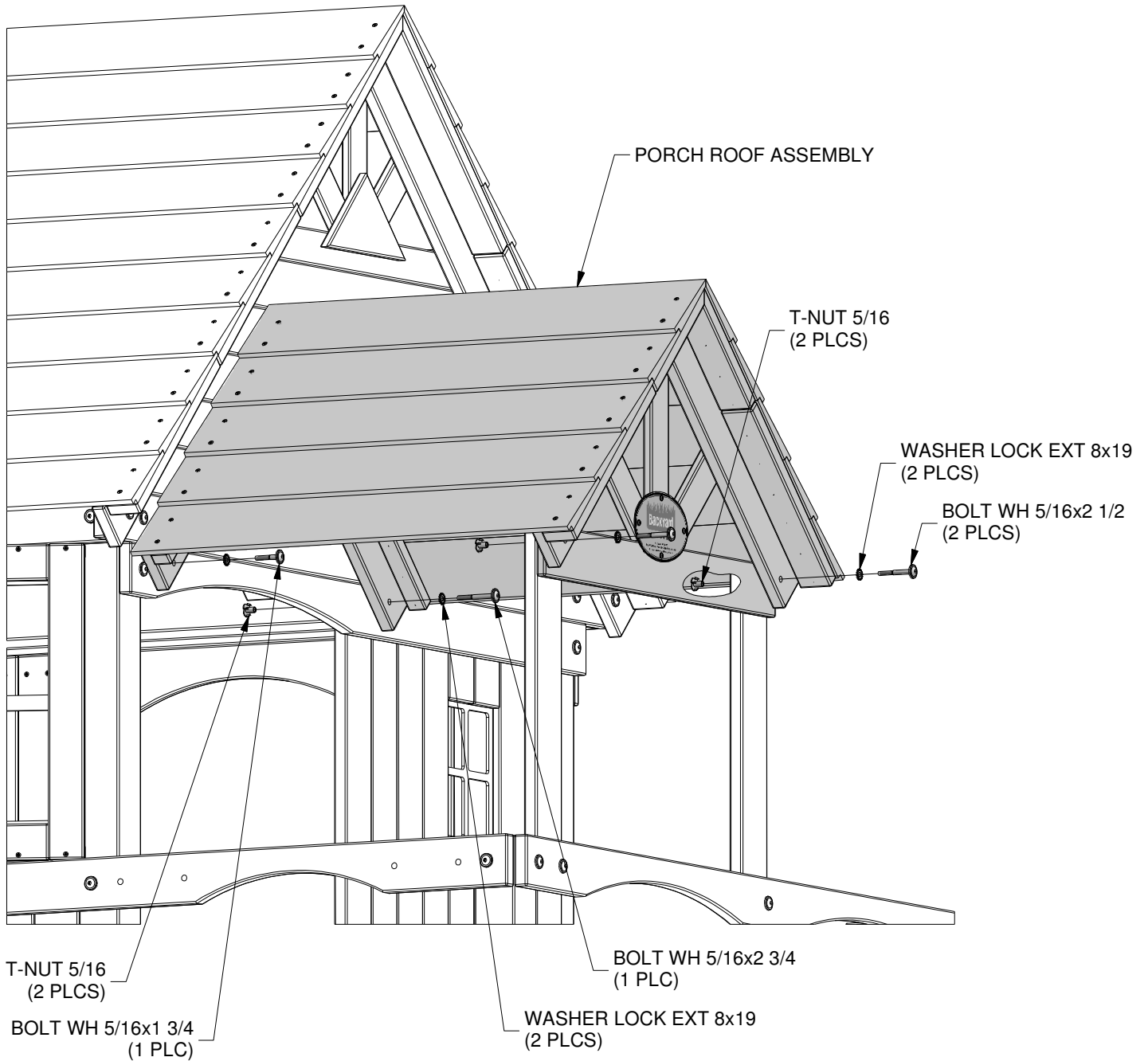
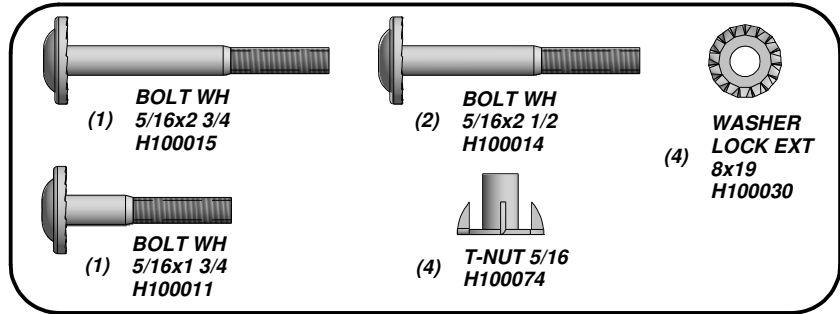
**REPEAT STEPS 48 & 49 TO ATTACH LEFT SIDE
ROOF PANELS.**





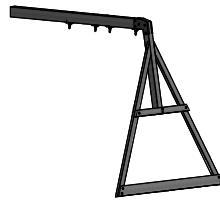
(1) PORCH ROOF ASSEMBLY

**FORT ASSEMBLY
STEP 52**



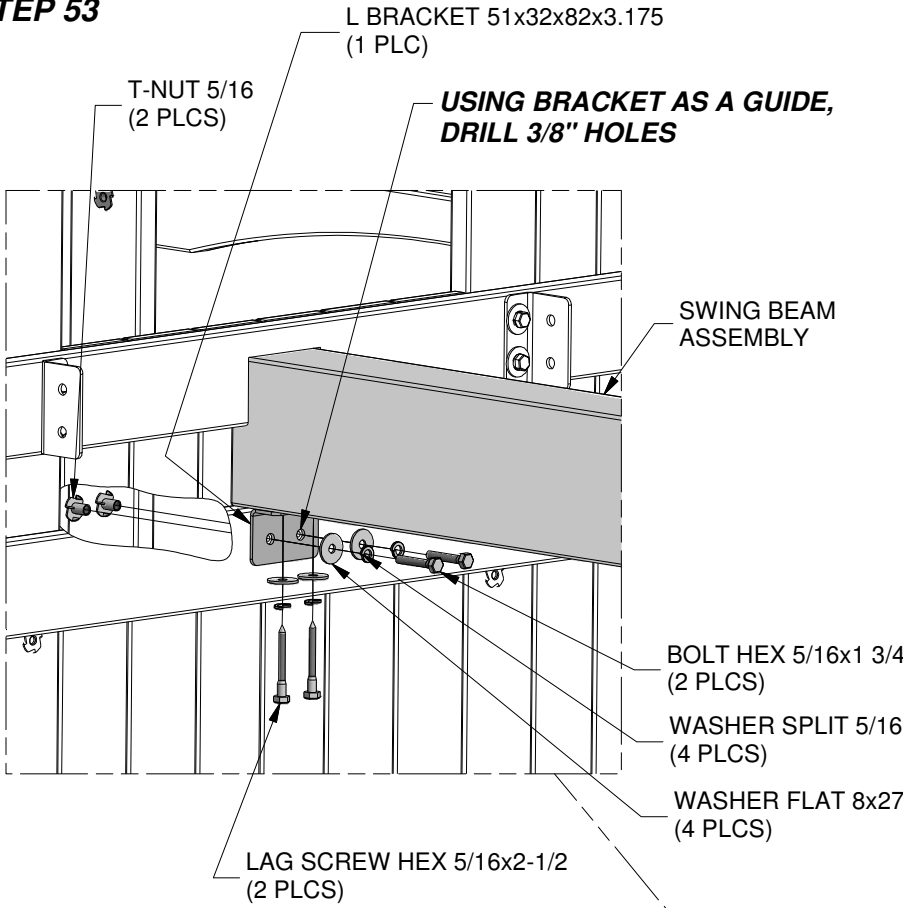


L BRACKET
(1) 51x32x82x3.175
A100396

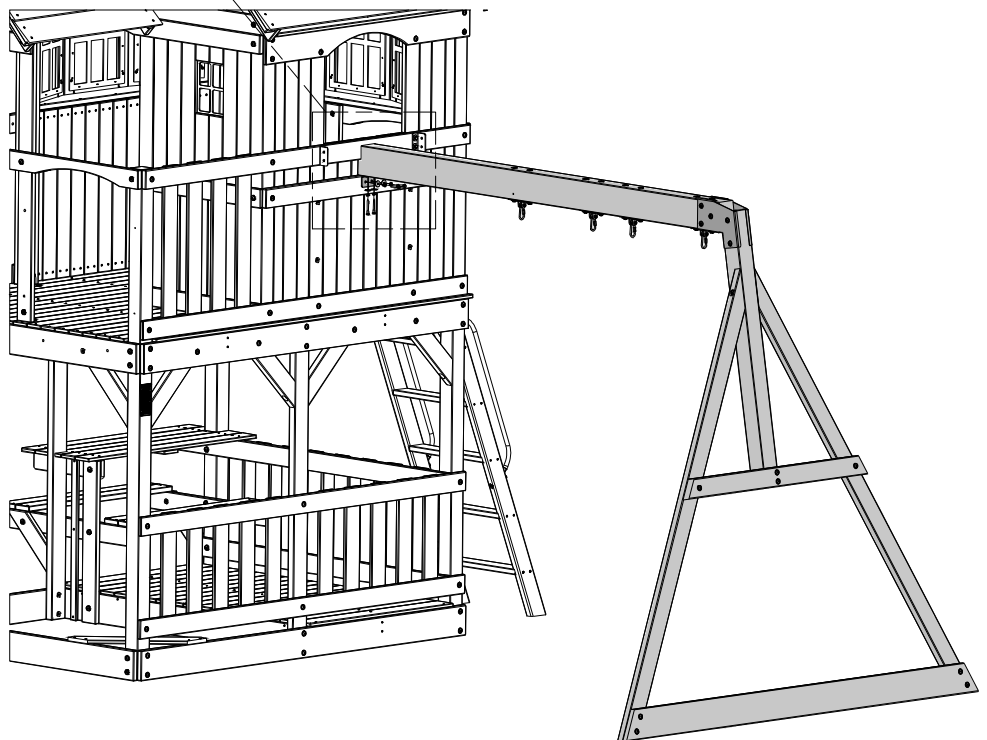


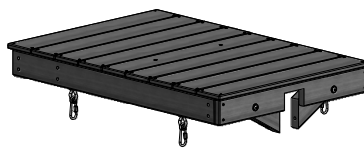
(1) SWING BEAM ASSEMBLY

FORT ASSEMBLY
STEP 53



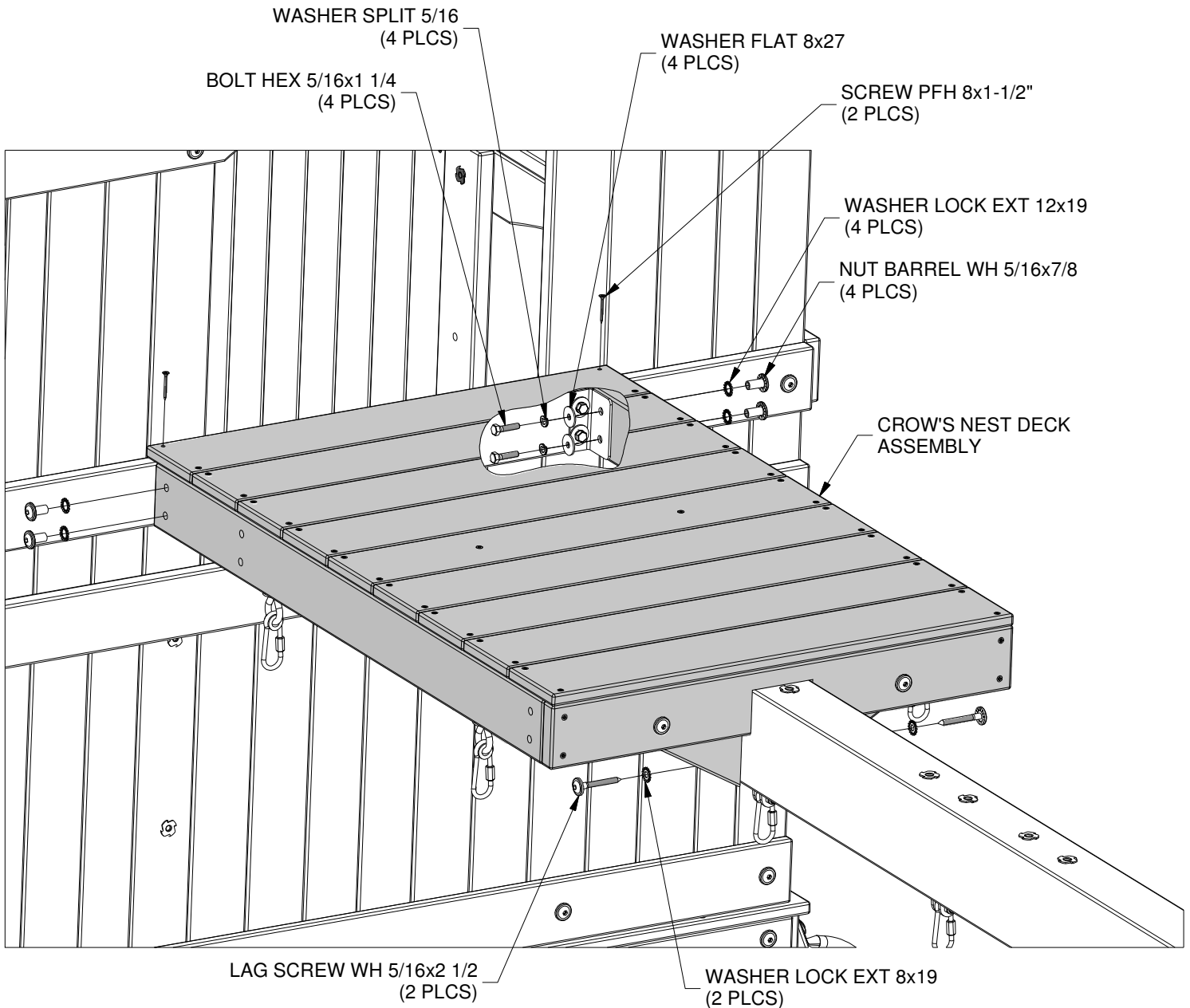
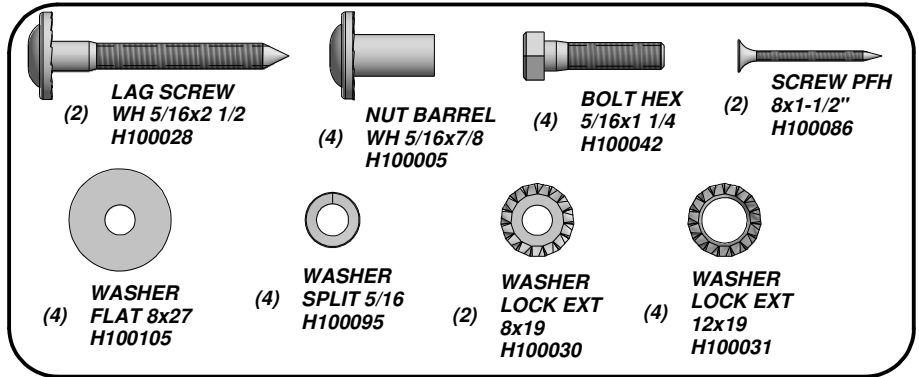
(2) LAG SCREW HEX 5/16x2-1/2 H100068	(4) WASHER SPLIT 5/16 H100095
(2) BOLT HEX 5/16x1 3/4 H100043	(4) WASHER FLAT 8x27 H100105
(2) T-NUT 5/16 H100074	





(1) CROW'S NEST DECK ASSEMBLY

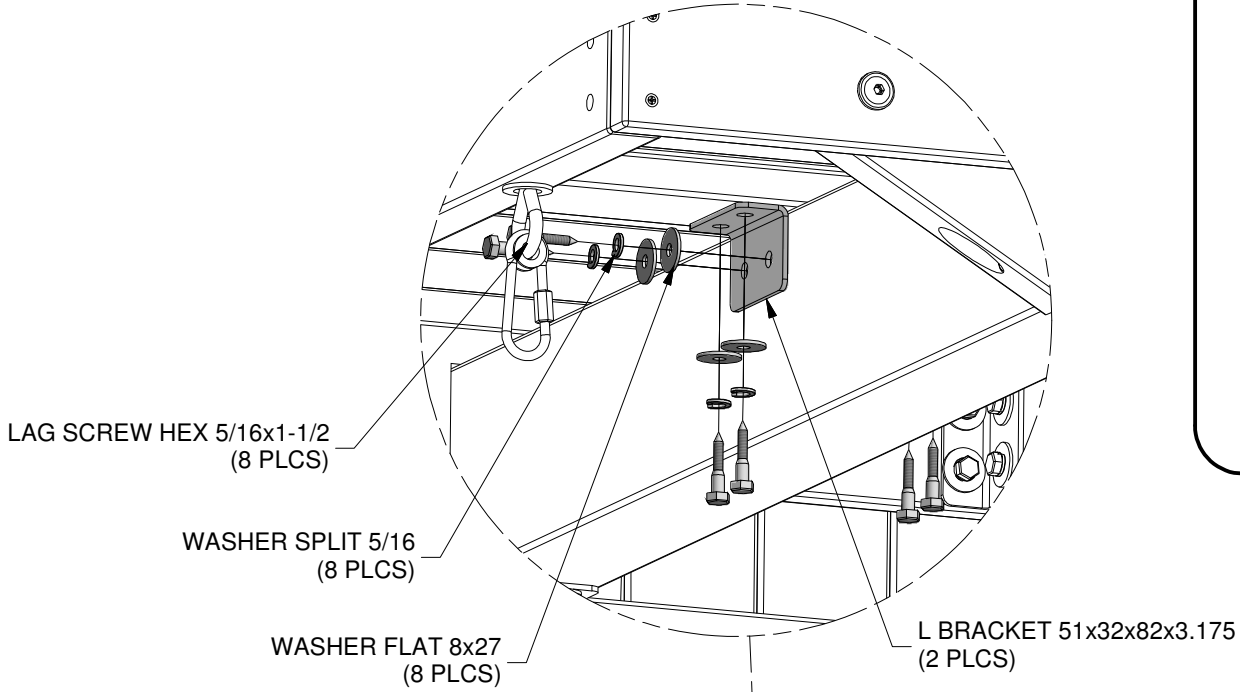
**FORT ASSEMBLY
STEP 54**





L BRACKET
 (2) 51x32x82x3.175
 A100396

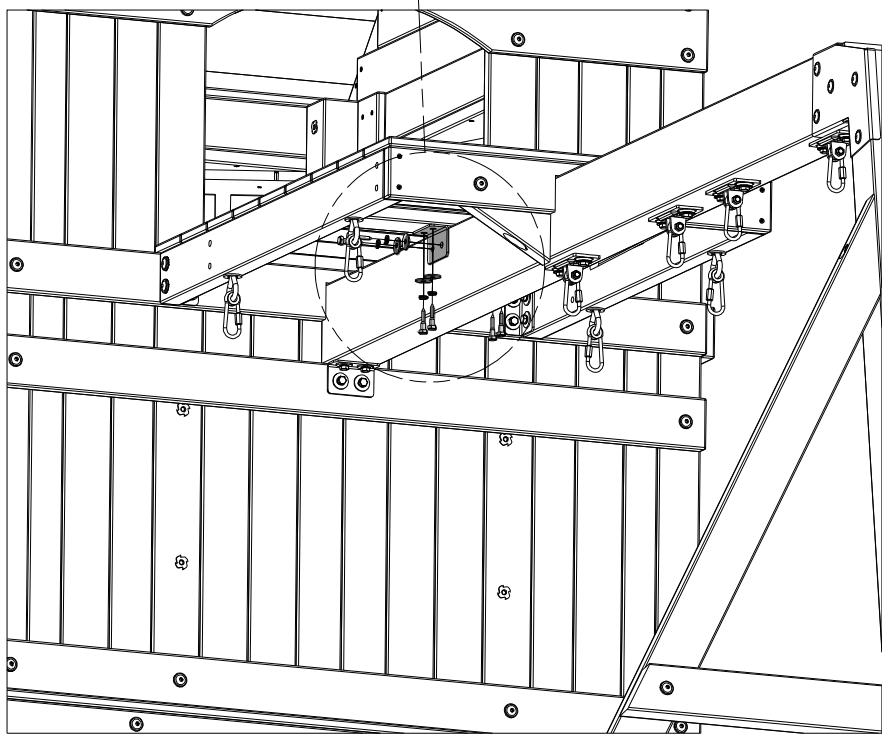
FORT ASSEMBLY
STEP 55



LAG SCREW
HEX
 (8) 5/16x1-1/2
 H100066

WASHER
SPLIT 5/16
 (8) H100095

WASHER
FLAT 8x27
 (8) H100105



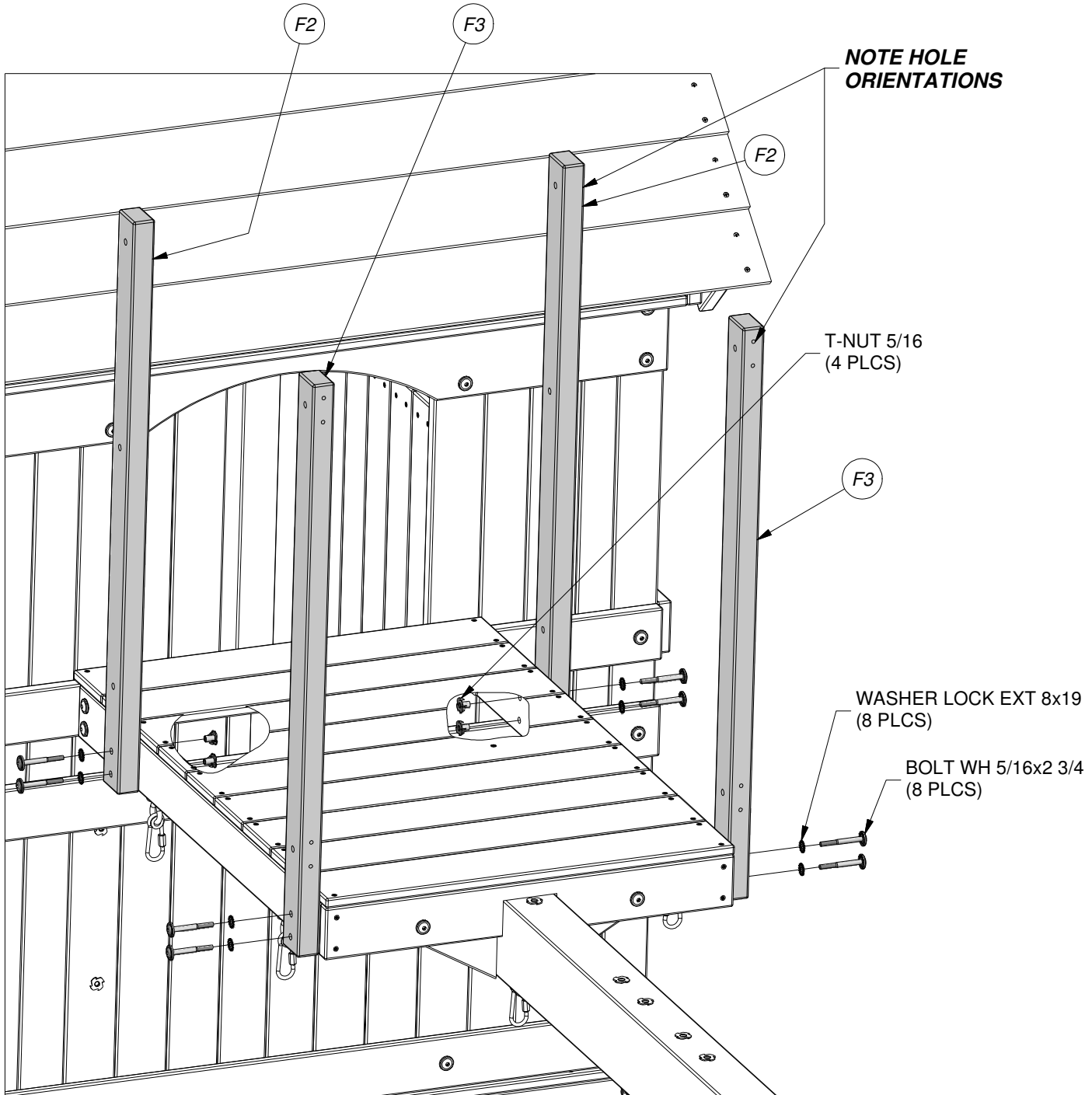
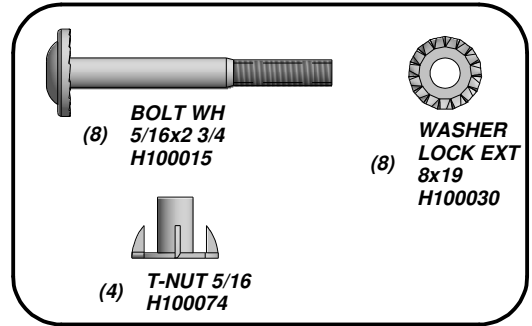


(2) **F3 - CROWS NEST WALL SUPPORT - W4L11779**
 1 3/8"x2 3/8"x37 1/2" (36x60x952)



(2) **F2 - CROWS NEST WALL SUPPORT - W4L11780**
 1 3/8"x2 3/8"x37 1/2" (36x60x952)

FORT ASSEMBLY
STEP 56



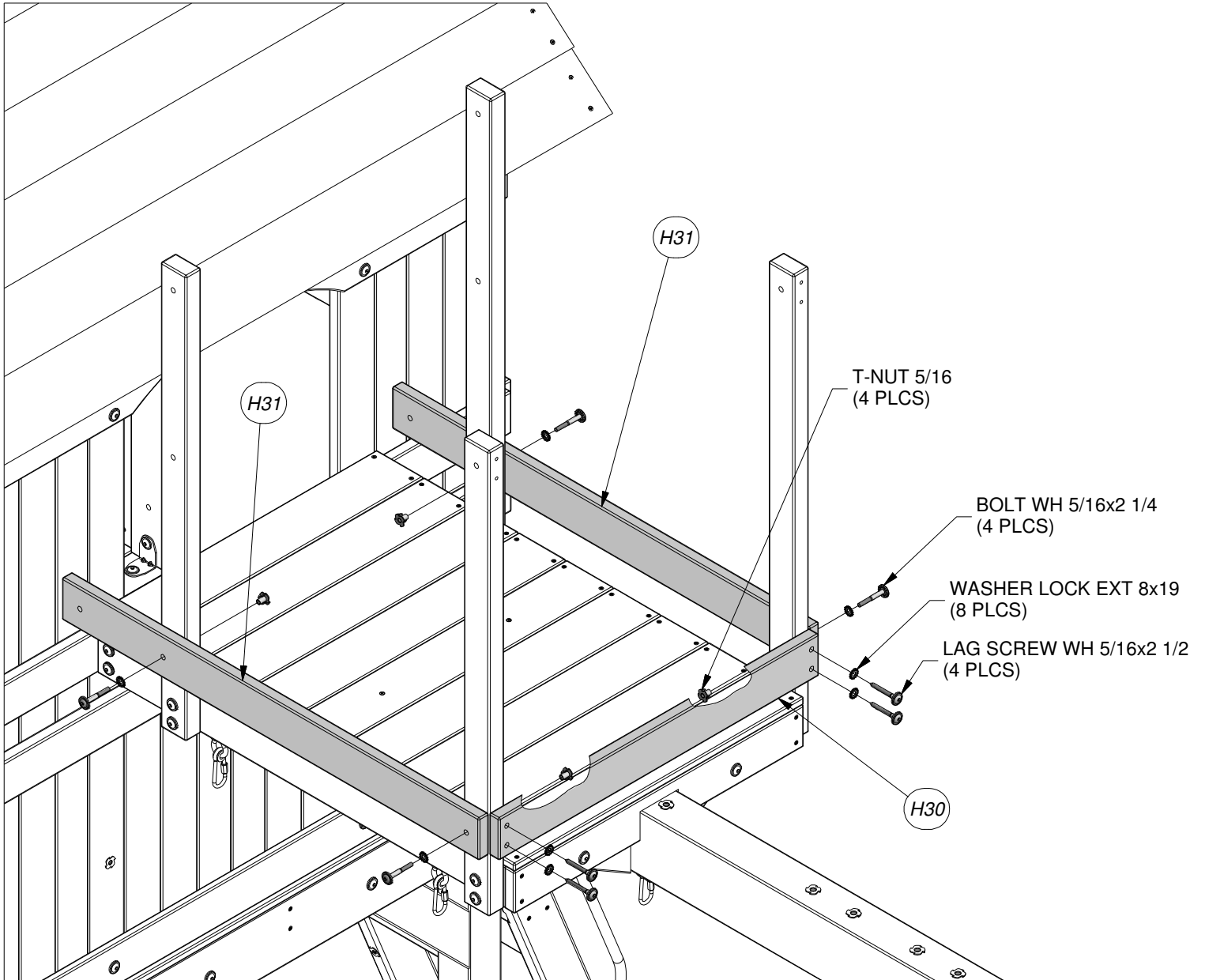
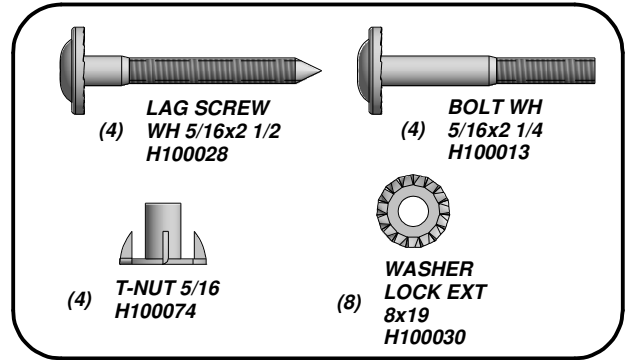


(2) **H31 - CROWS NEST WALL RAIL - W4L11781**
1"x3 3/8"x38 7/8" (24x86x988)



(1) **H30 - CROWS NEST WALL RAIL - W4L11782**
1"x3 3/8"x29 7/8" (24x86x758)

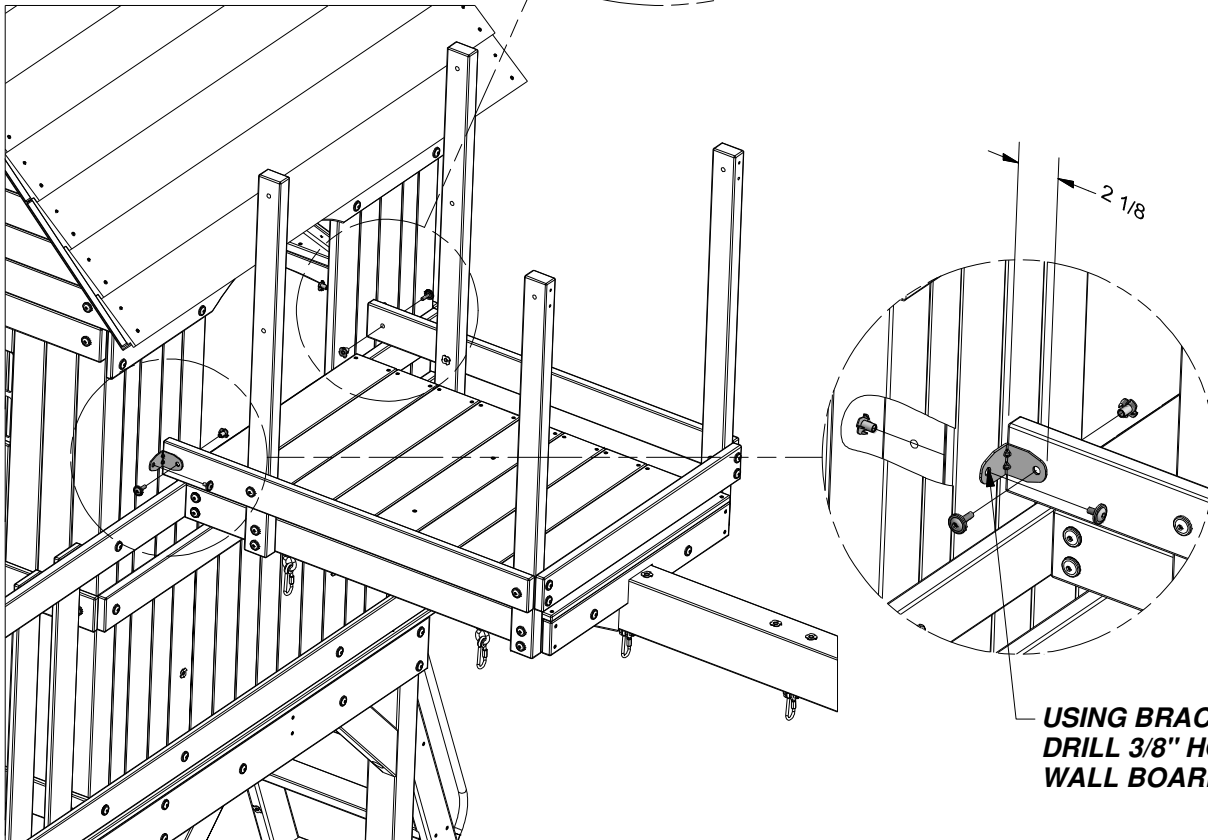
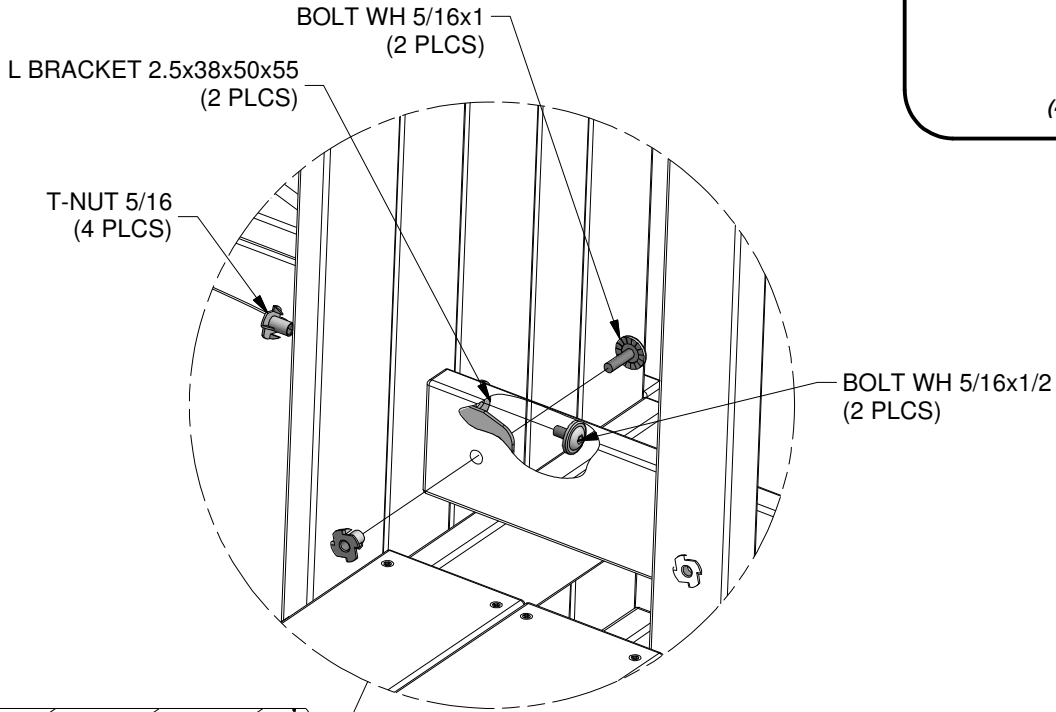
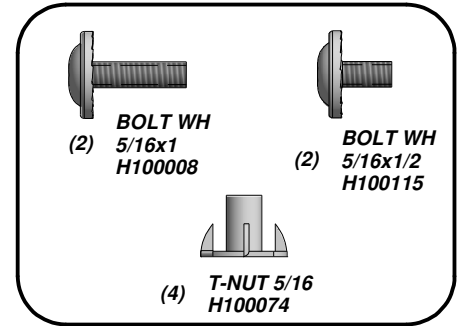
FORT ASSEMBLY
STEP 57





L BRACKET
 (2) 2.5x38x50x55
 A100340

FORT ASSEMBLY
STEP 58





(2) **M4 - CROWS NEST WALL RAIL - W4L11773**
5/8"x3 3/8"x29 7/8" (16x86x758)

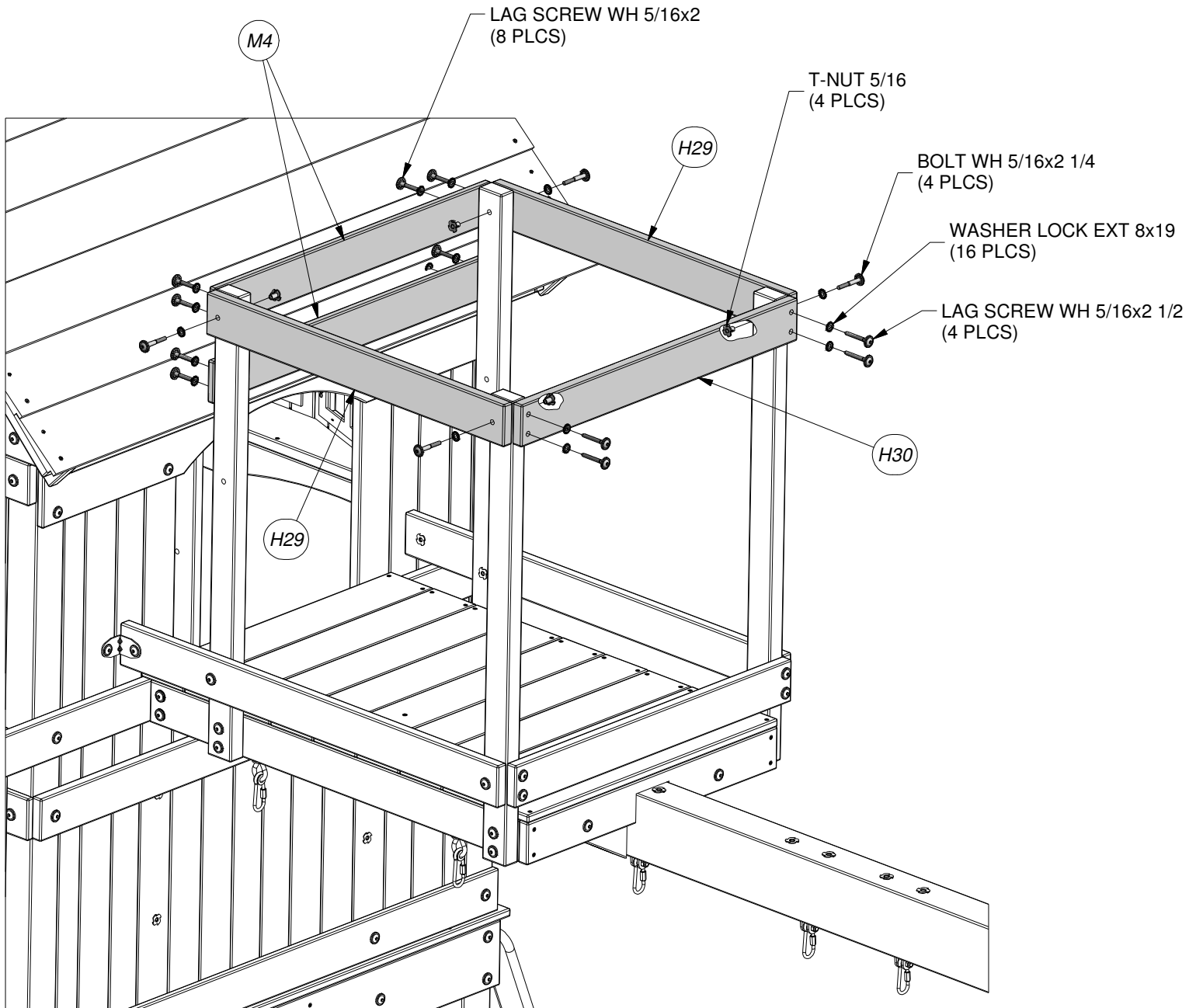
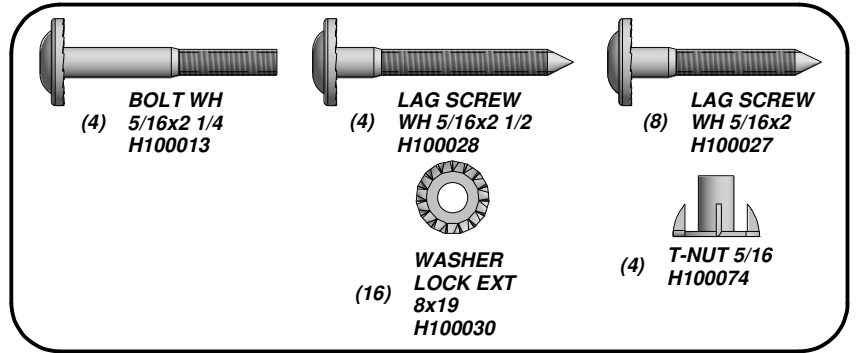


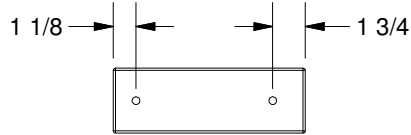
(1) **H30 - CROWS NEST WALL RAIL - W4L11782**
1"x3 3/8"x29 7/8" (24x86x758)



(2) **H29 - CROWS NEST WALL RAIL - W4L11783**
1"x3 3/8"x30 5/8" (24x86x778)

FORT ASSEMBLY STEP 59





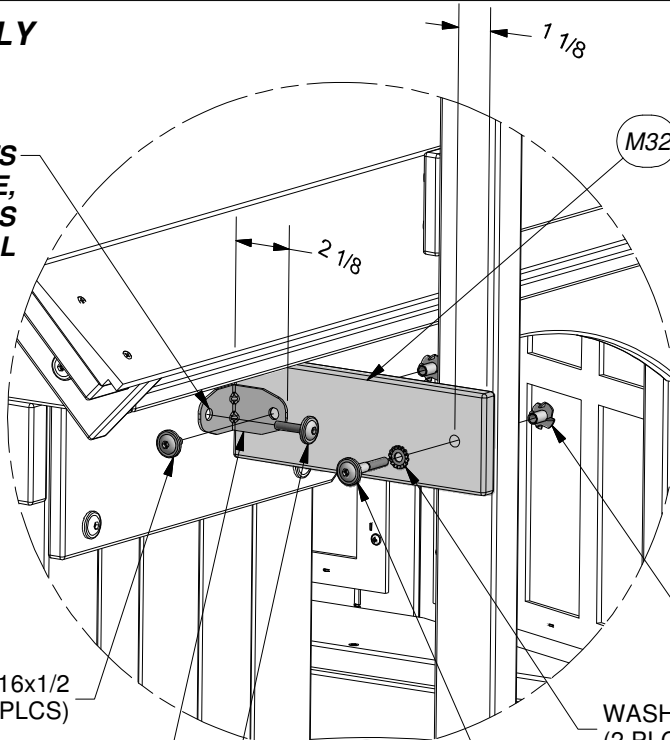
(2) **M32 - CROWS NEST WALL RAIL - W4L04671**
 5/8"x3 3/8"x10" (16x86x254)



(2) **L BRACKET**
 2.5x38x50x55
 A100340

FORT ASSEMBLY
STEP 60

USING BRACKETS AS A GUIDE, DRILL 3/8" HOLES THROUGH WALL



	BOLT WH (2) 5/16x2 H100012		BOLT WH (2) 5/16x1 1/4 H100009
	BOLT WH (2) 5/16x1/2 H100115		WASHER LOCK EXT (2) 8x19 H100030
	T-NUT 5/16 (6) H100074		

BOLT WH 5/16x1/2
(2 PLCS)

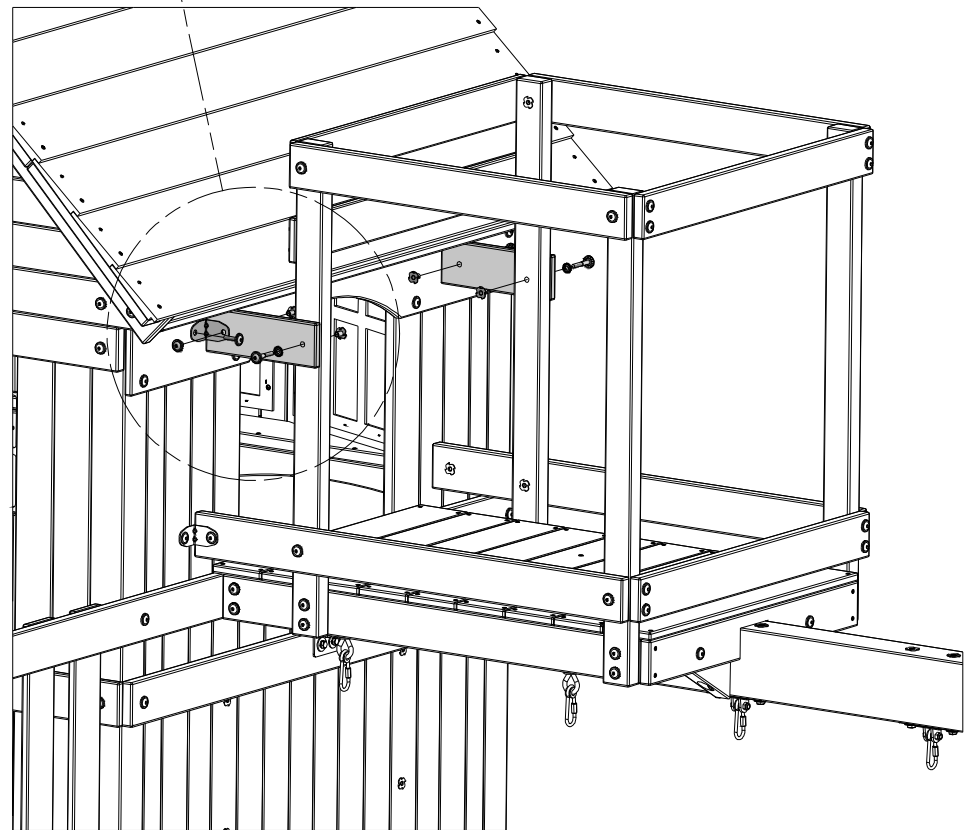
L BRACKET 2.5x38x50x55
(2 PLCS)

BOLT WH 5/16x1 1/4
(2 PLCS)

T-NUT 5/16
(6 PLCS)

WASHER LOCK EXT 8x19
(2 PLCS)

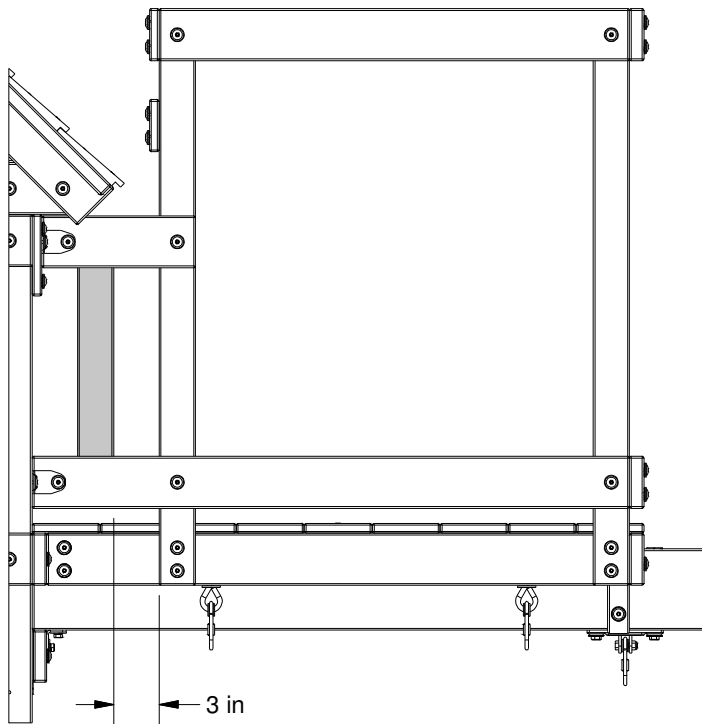
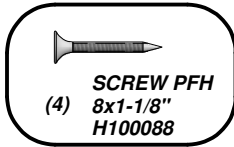
BOLT WH 5/16x2
(2 PLCS)



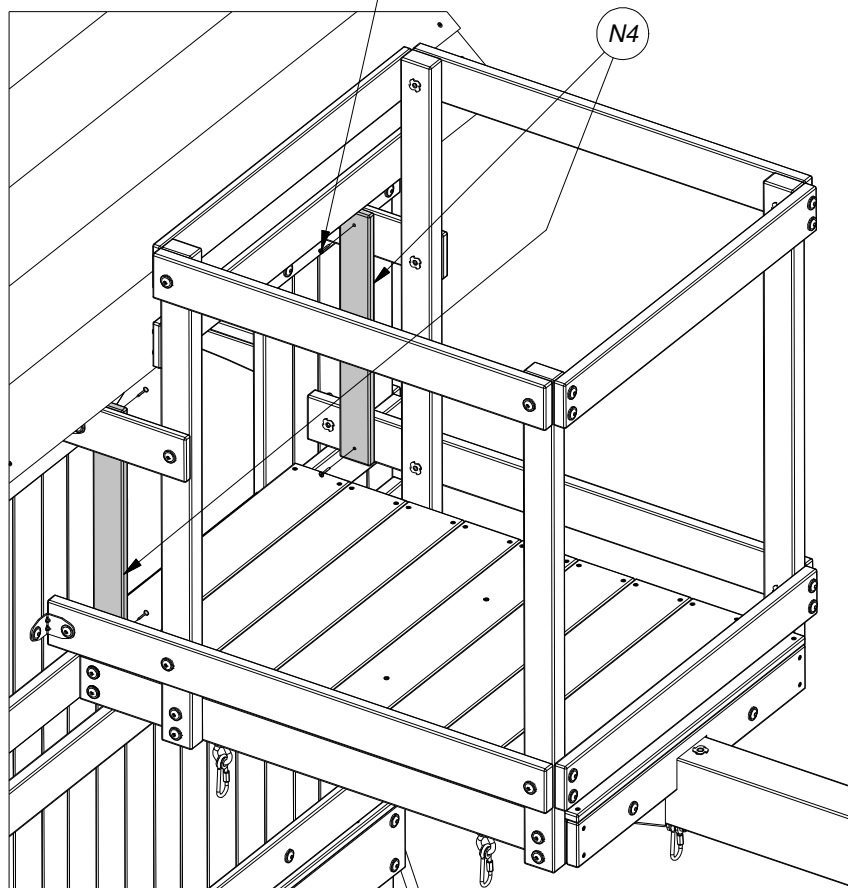


(2) N4 - CROWS NEST WALL BOARD - W4L04673
5/8"x2 3/8"x19" (16x60x483)

FORT ASSEMBLY
STEP 61



SCREW PFH 8x1-1/8"
(4 PLCS)

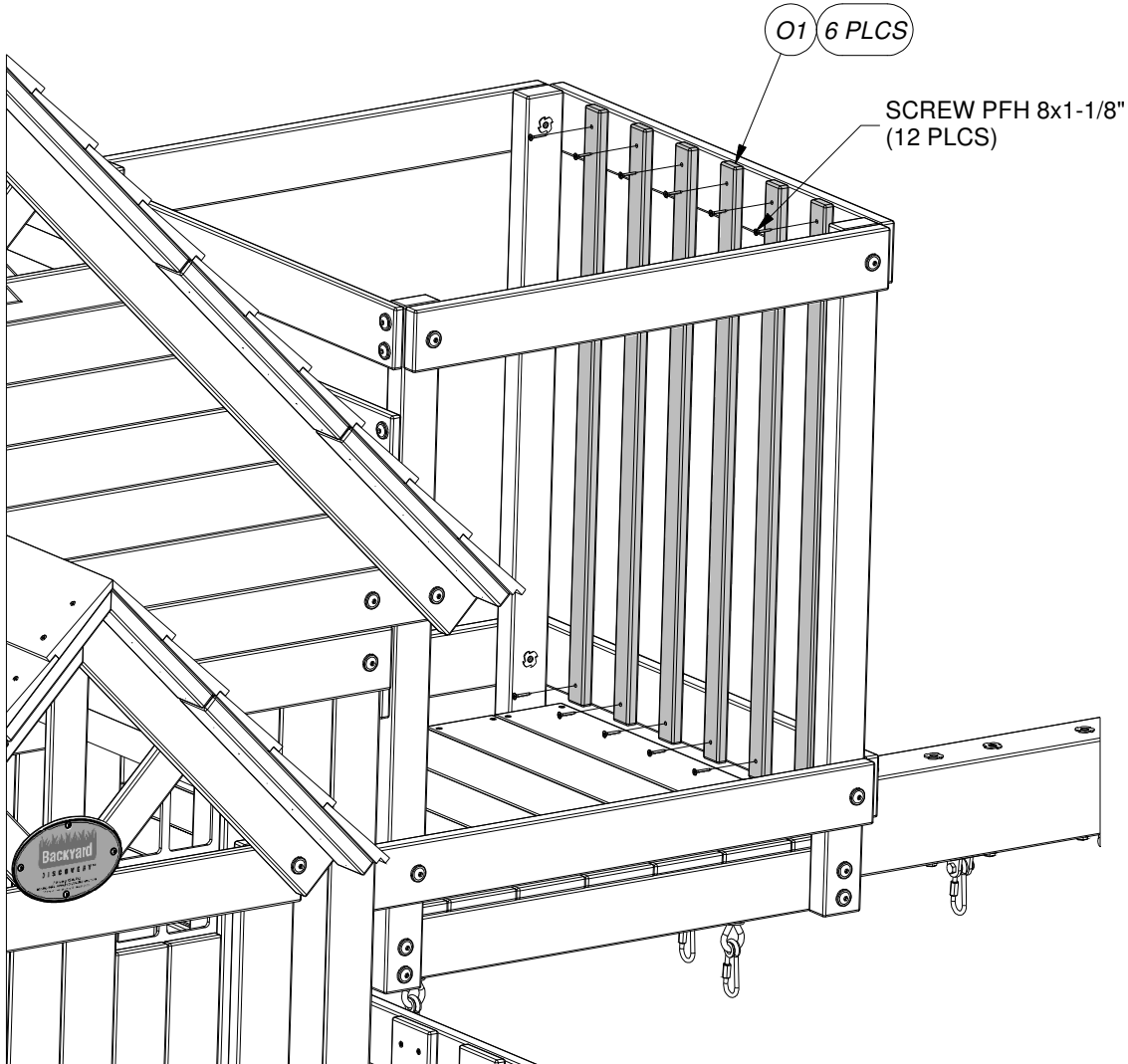
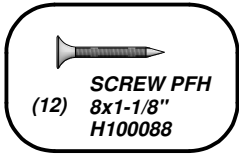
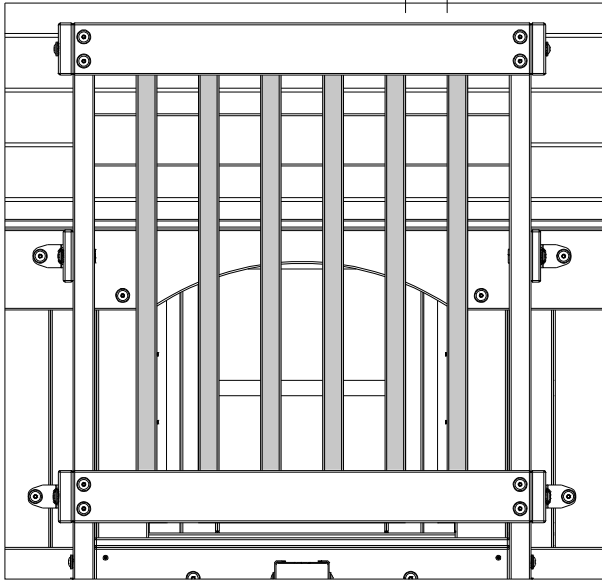




(6) O1 - CROWS NEST WALL BOARD - W4L04672
5/8"x1 3/8"x32 1/2" (16x34x825)

**FORT ASSEMBLY
STEP 62**

2 3/4 in
EQUAL SPACING

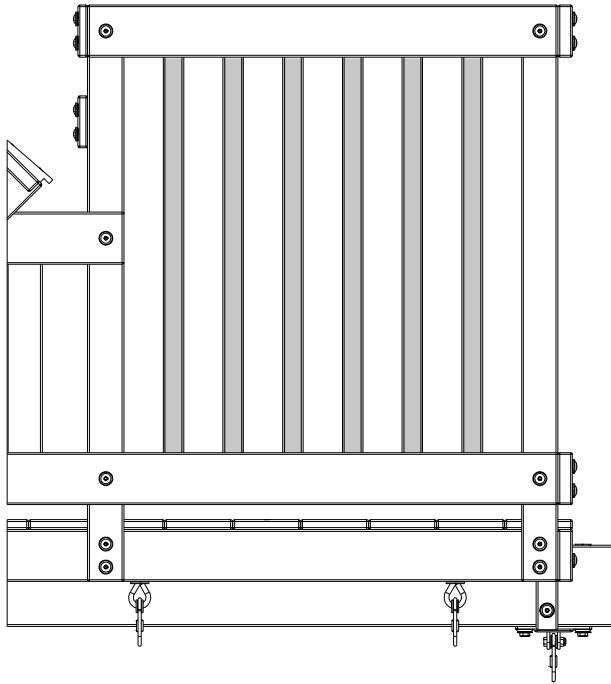




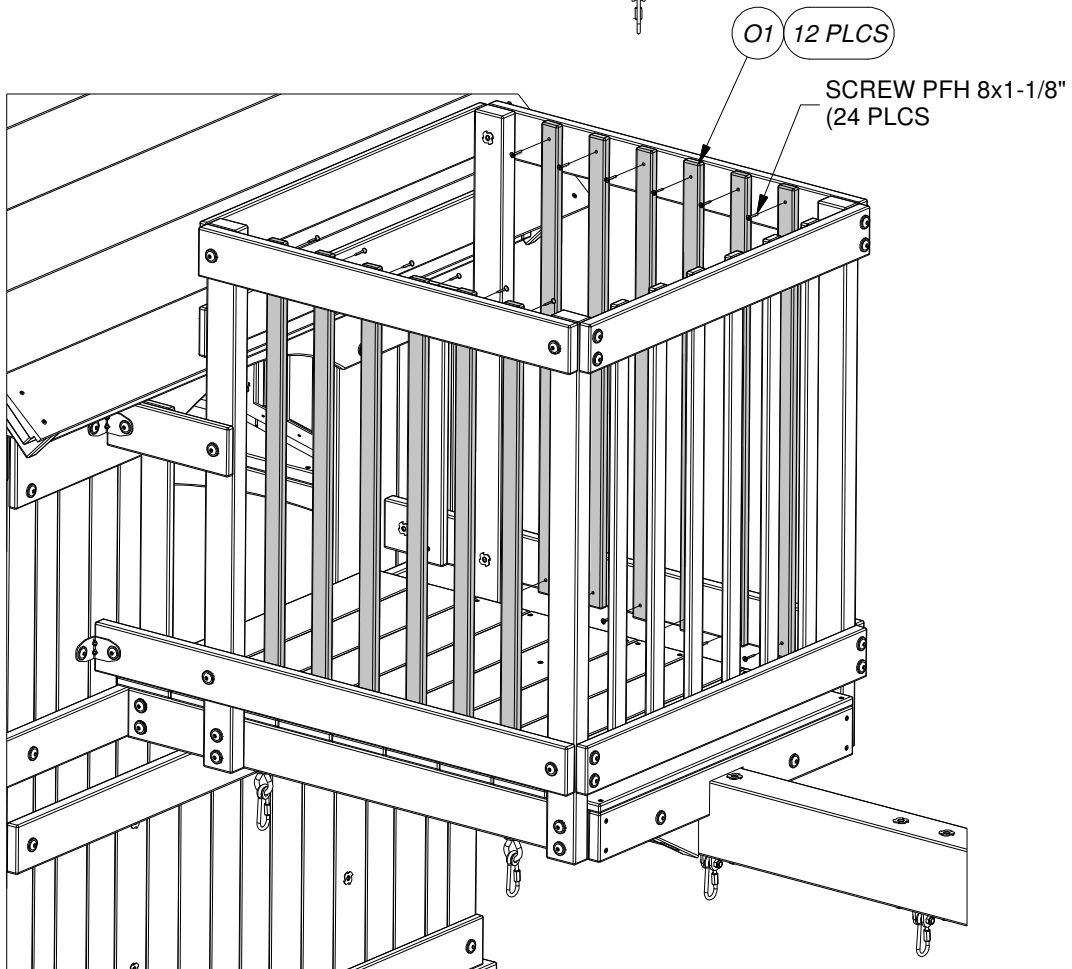
(12) O1 - CROWS NEST WALL BOARD - W4L04672
5/8"x1 3/8"x32 1/2" (16x34x825)

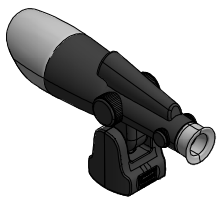
FORT ASSEMBLY
STEP 63

2 1/2 in
EQUAL
SPACING



SCREW PFH
(24) 8x1-1/8"
H100088



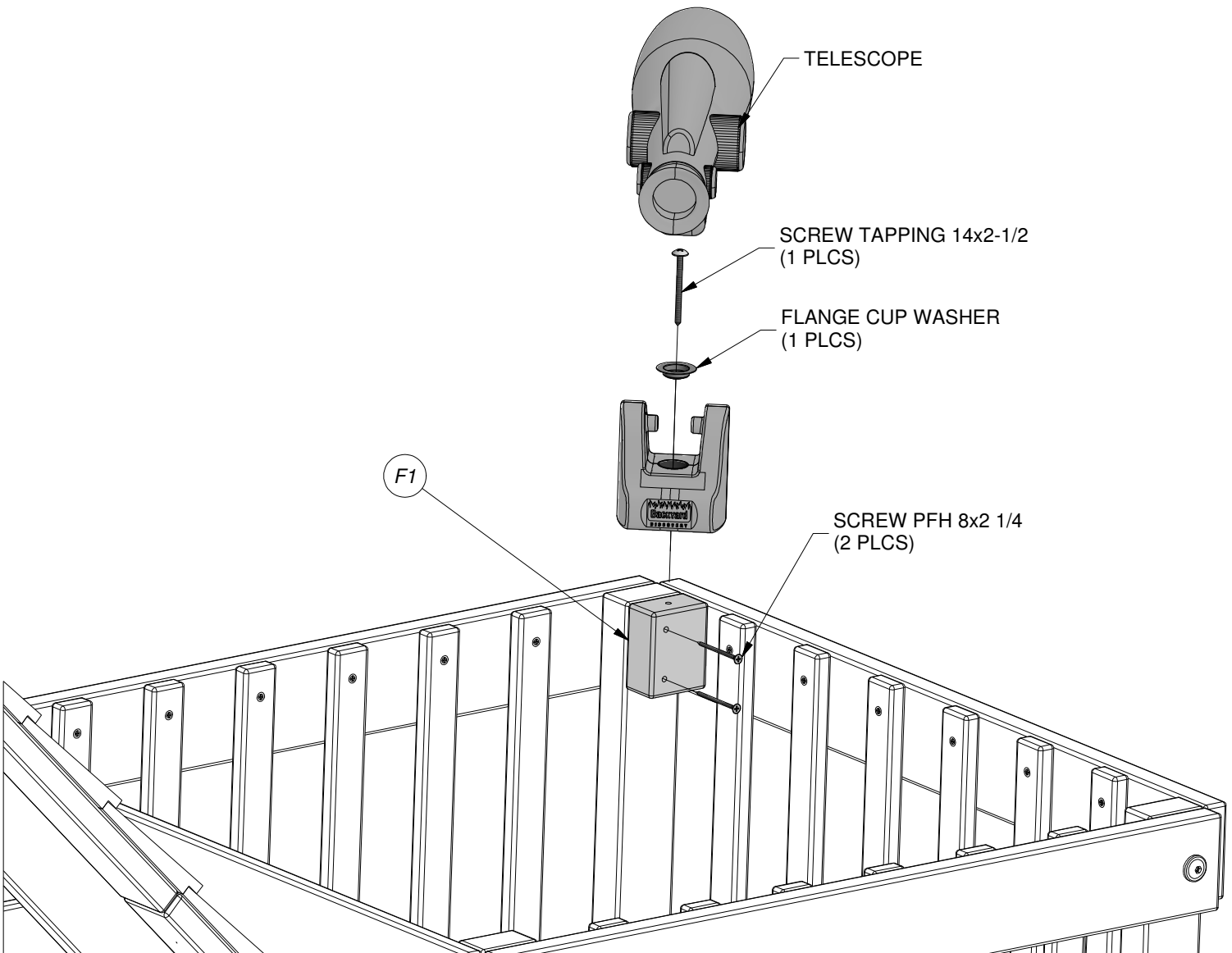
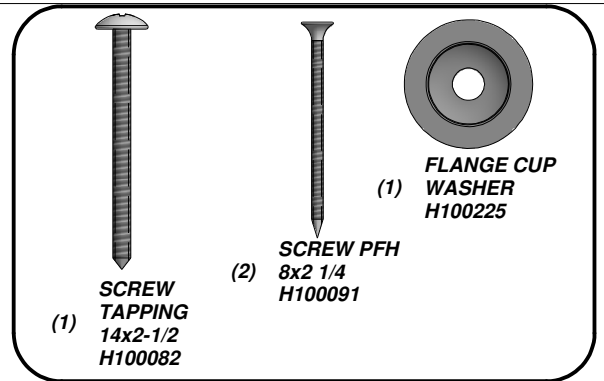


(1) TELESCOPE - A100104



(1) F1 - TELESCOPE MOUNTING BLOCK - W4L04674
1 3/8"x2 3/8"x3" (36x60x76)

FORT ASSEMBLY STEP 64



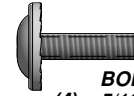


(4) - HAND GRIP METAL GREEN 381 c/c - A100118

**FORT ASSEMBLY
STEP 65**



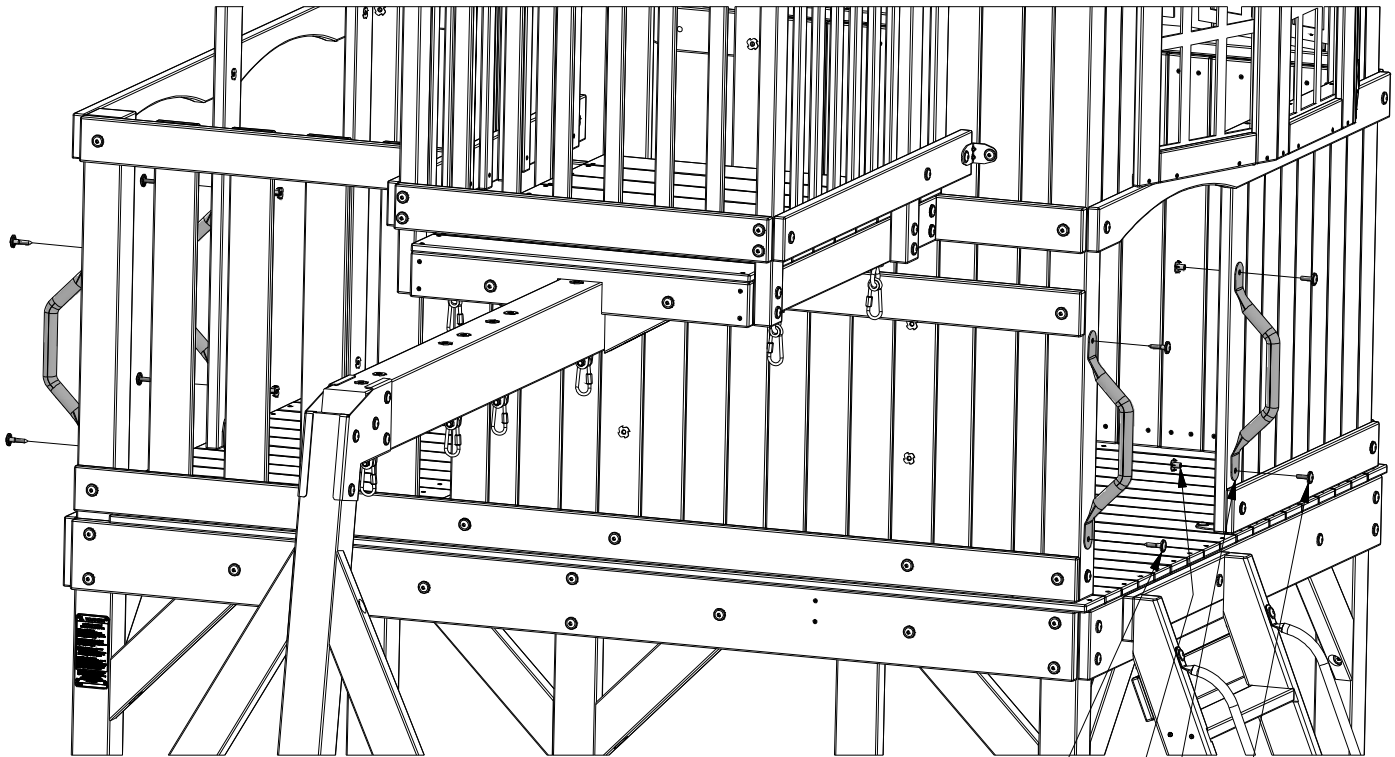
LAG SCREW
(4) WH 5/16x1 1/2
H100026



BOLT WH
(4) 5/16x1
H100008



(4) **T-NUT 5/16**
H100074

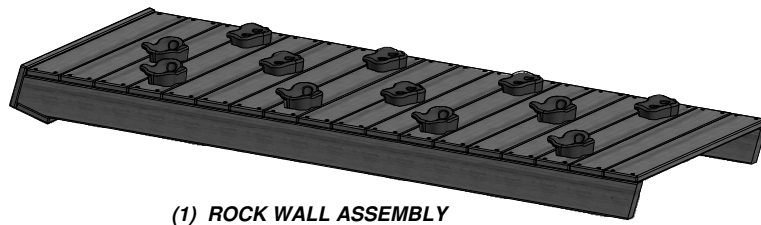


LAG SCREW WH 5/16x1 1/2
(4 PLCS)

T-NUT 5/16
(4 PLCS)


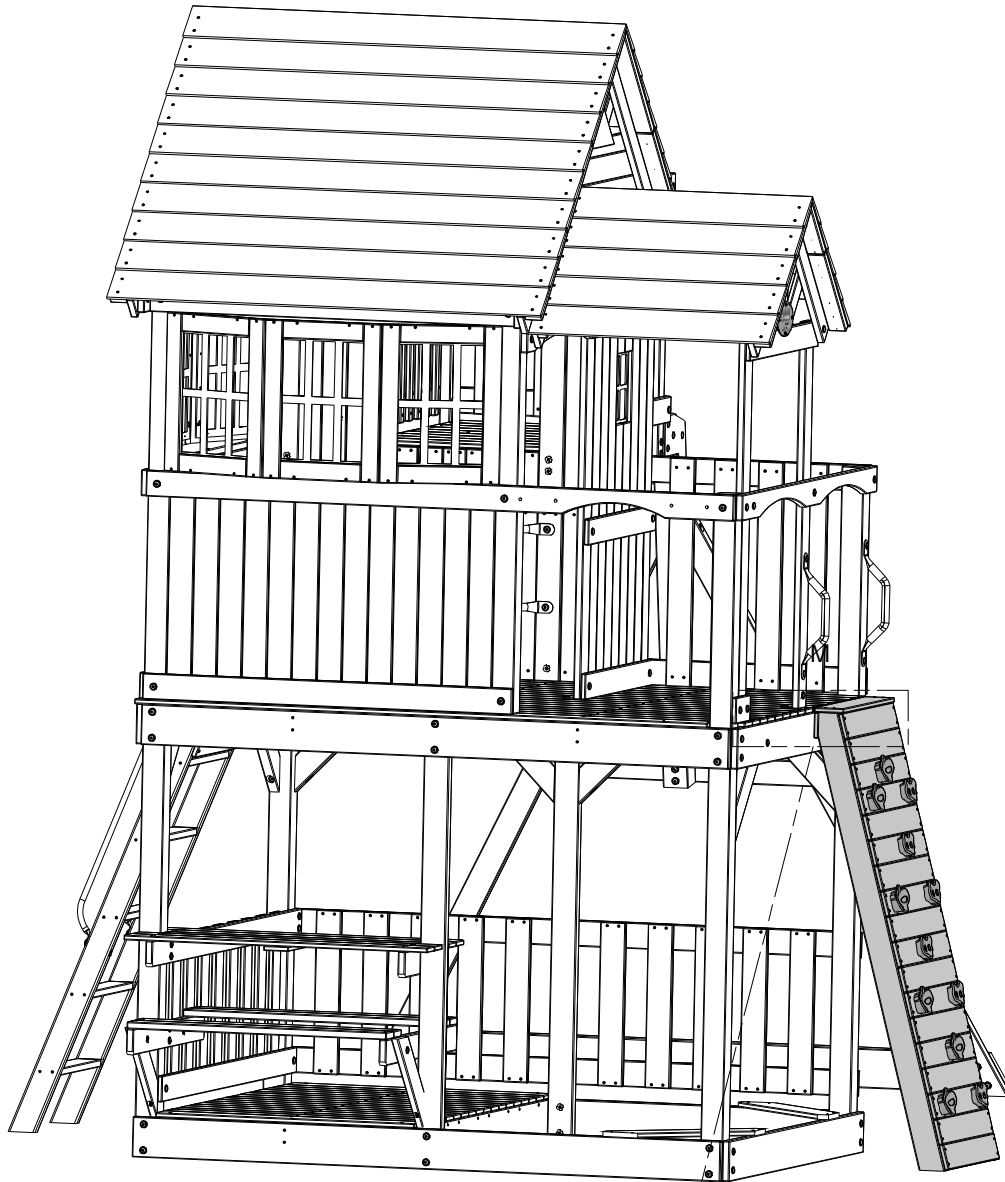
HAND GRIP METAL GREEN 381 c/c
(4 PLCS)

BOLT WH 5/16x1
(4 PLCS)




(1) ROCK WALL ASSEMBLY

**FINAL ASSEMBLY
STEP 1**



BOLT WH
(2) 5/16x1 1/2
H100010

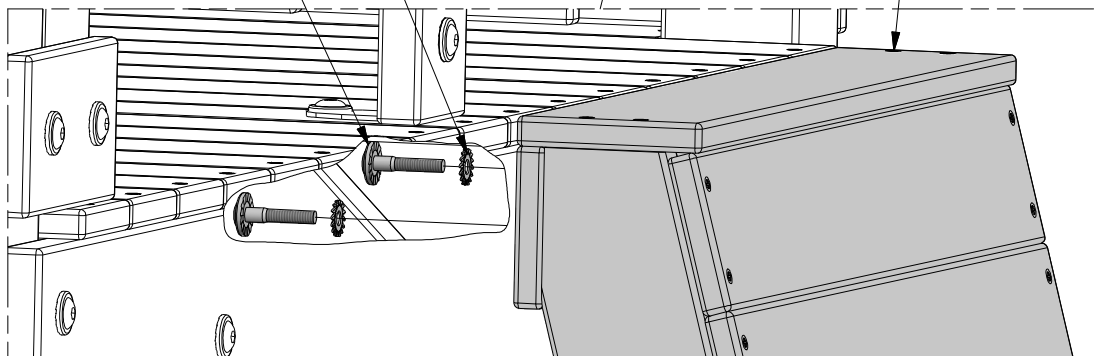


**WASHER
LOCK EXT**
(2) 8x19
H100030

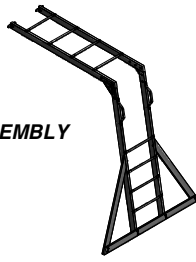
WASHER LOCK EXT 8x19
(2 PLCS)

BOLT WH 5/16x1 1/2
(2 PLCS)

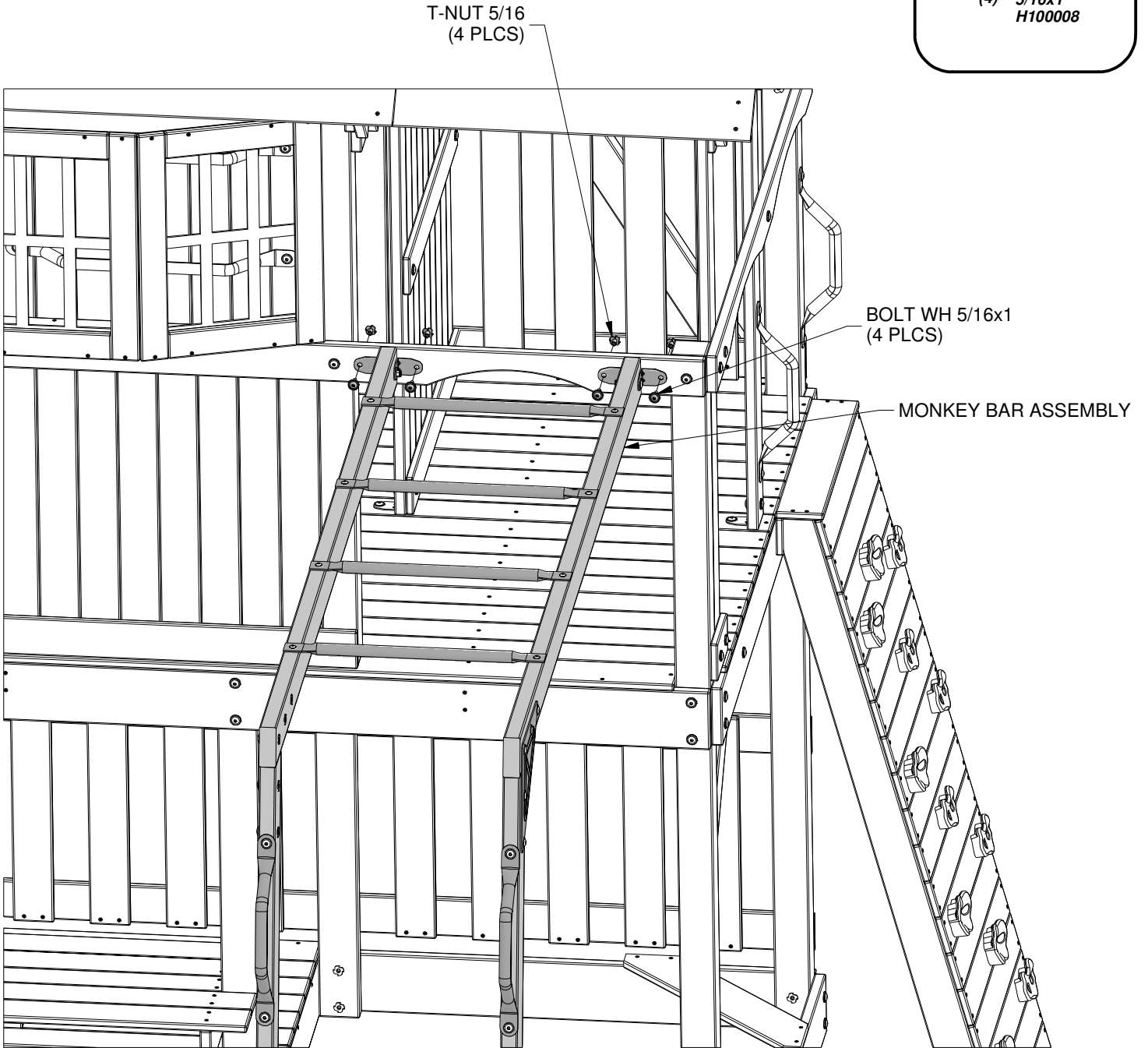
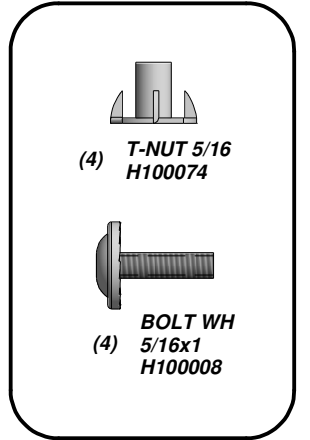
ROCK WALL ASSEMBLY

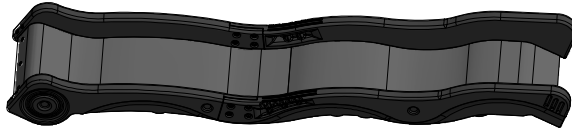


(1) MONKEY BAR ASSEMBLY



**FINAL ASSEMBLY
STEP 2**

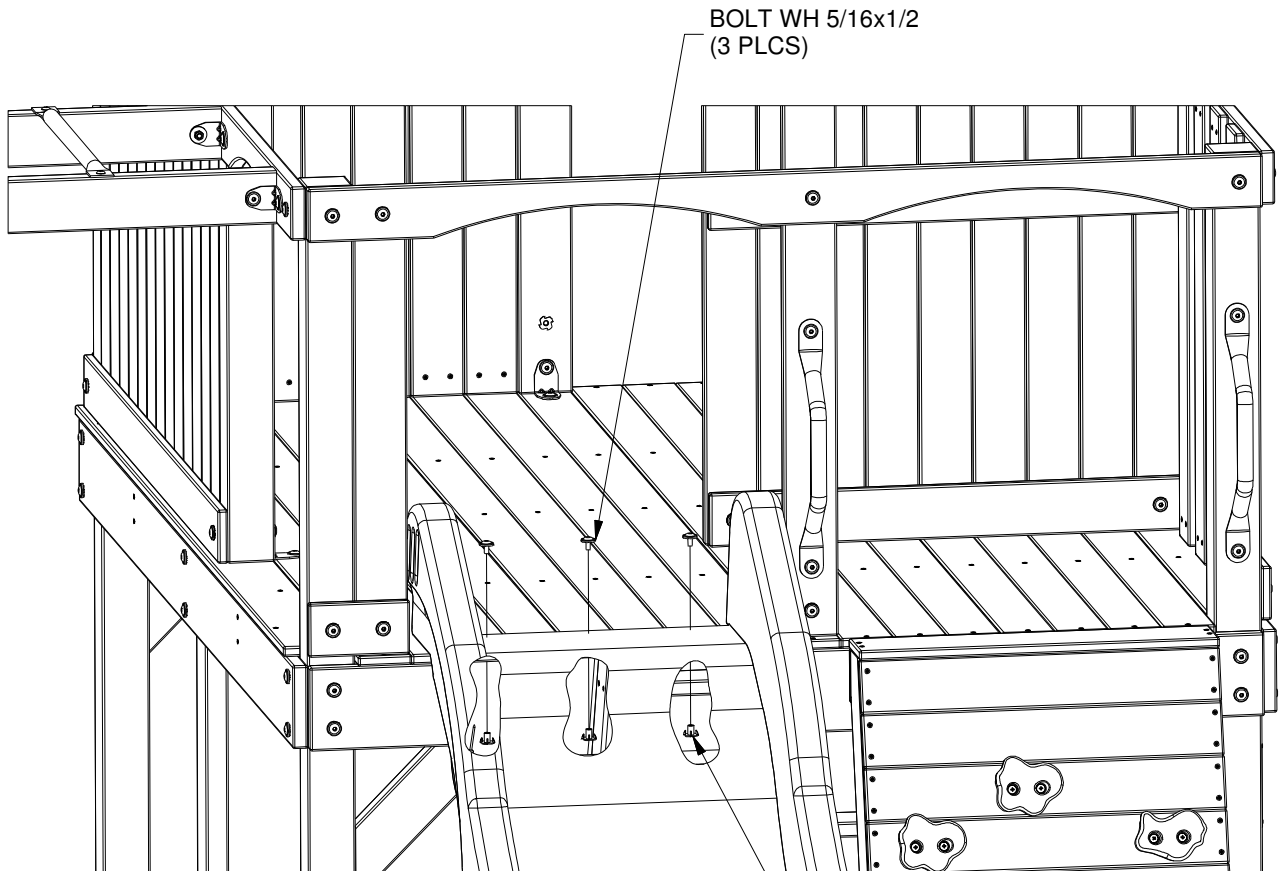
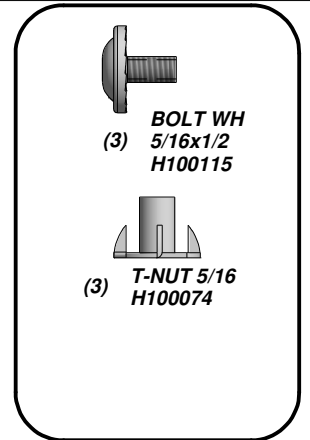
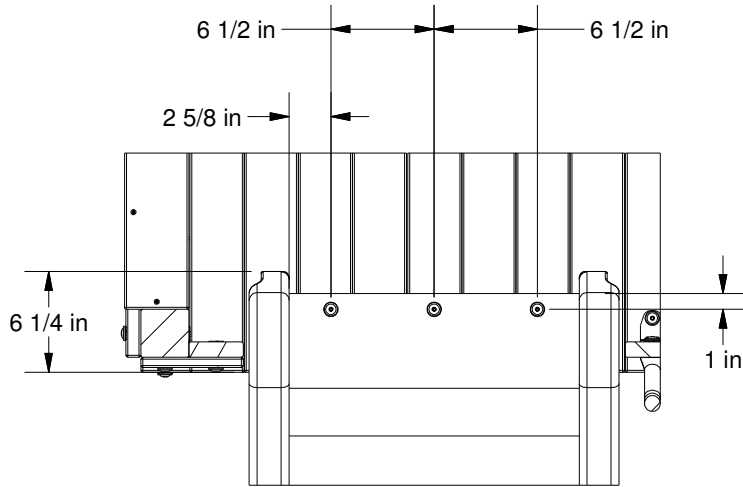




(1) SLIDE

FINAL ASSEMBLY STEP 3

NOTE:
CENTER SLIDE IN OPENING. USING DIMENSIONS BELOW AS
A TEMPLATE, DRILL (3) 3/8" HOLES THROUGH DECK FOR HARDWARE.





(1) SS - "C" REVISION TAG - A100316

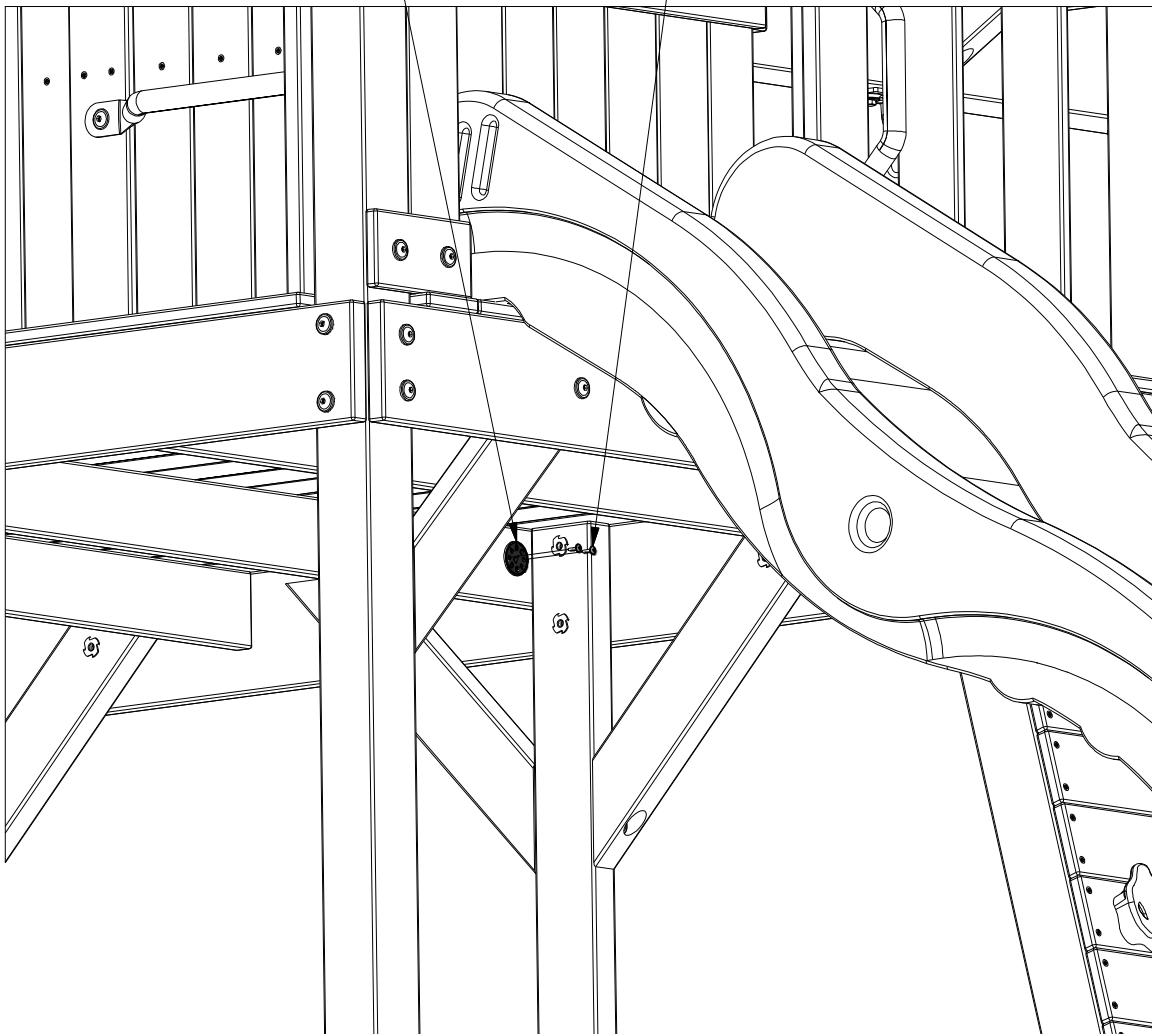
**FINAL ASSEMBLY
STEP 4**



**SCREW PWH
(2) 8x5/8
H100128**

"C" REVISION TAG
(1 PLC)

SCREW PWH 8x5/8
(2 PLCS)

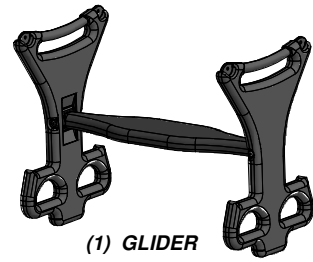




(8) FA - QUICK LINK - A100069



(2) DP - SWING SEAT GREEN - A100027



(1) GLIDER

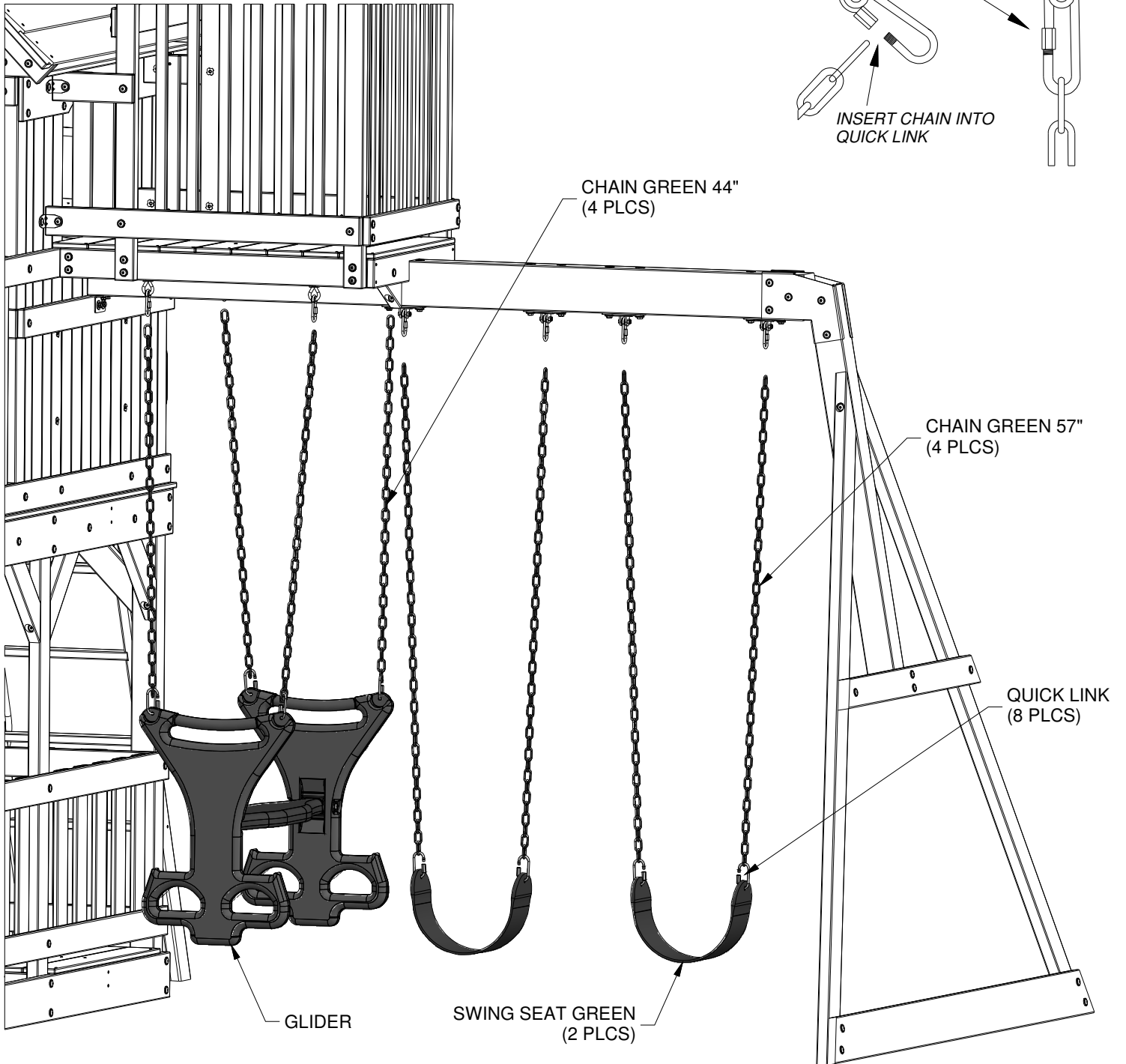
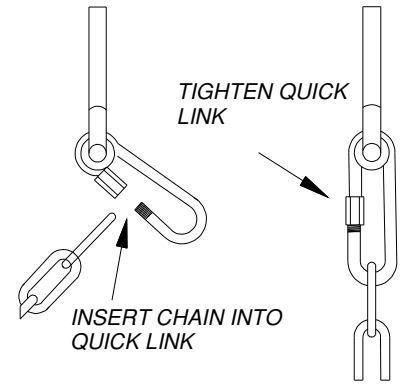


(4) HW - CHAIN GREEN 44" - A100048



(4) EF - CHAIN GREEN 57" - A100047

FINAL ASSEMBLY STEP 5





(8) KC - METAL GROUND STAKE BROWN - A100178



(2) - GROUND STAKE REBAR - A4M00527

FINAL ASSEMBLY STEP 6

DETAIL "A" & "B"

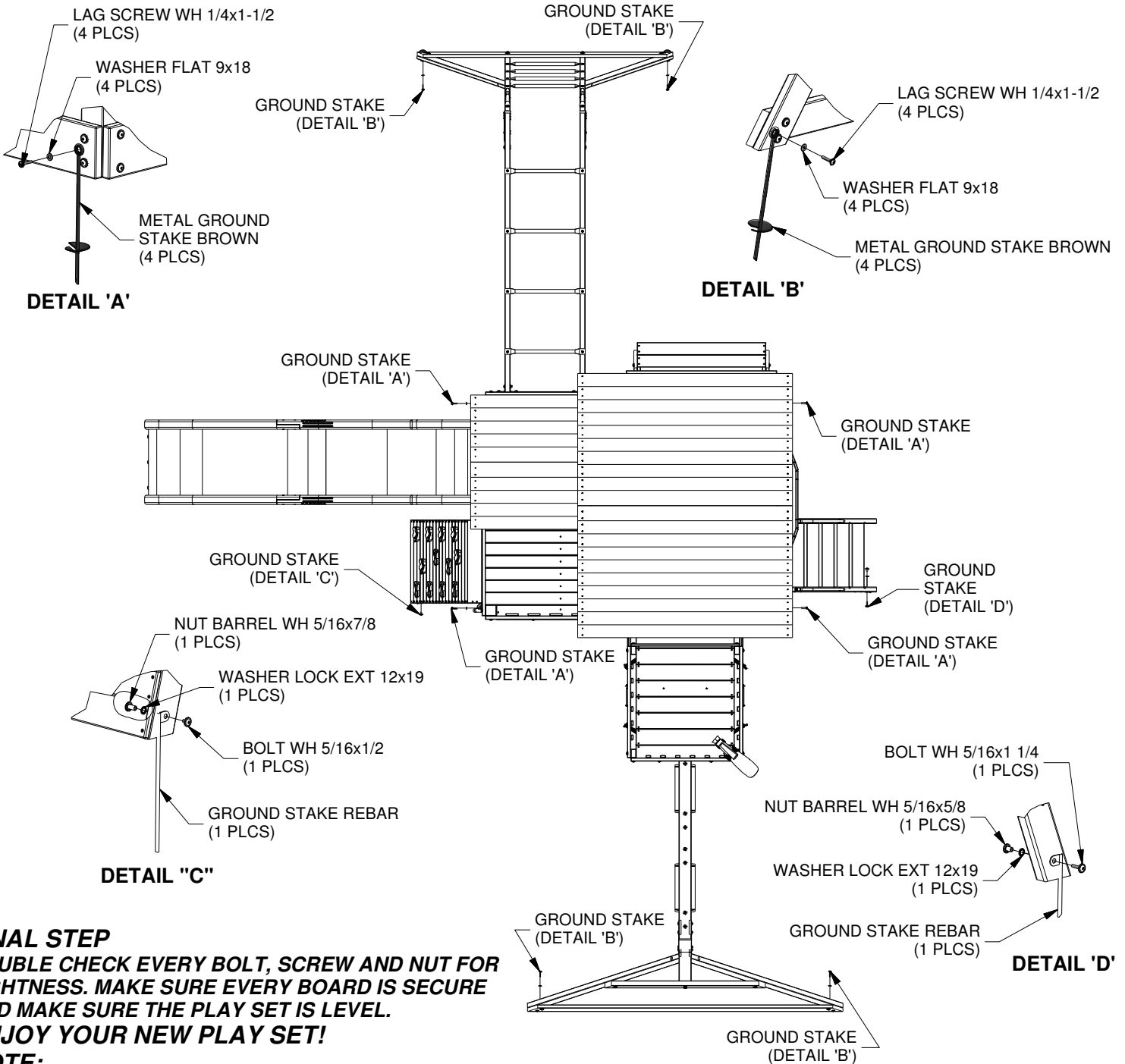
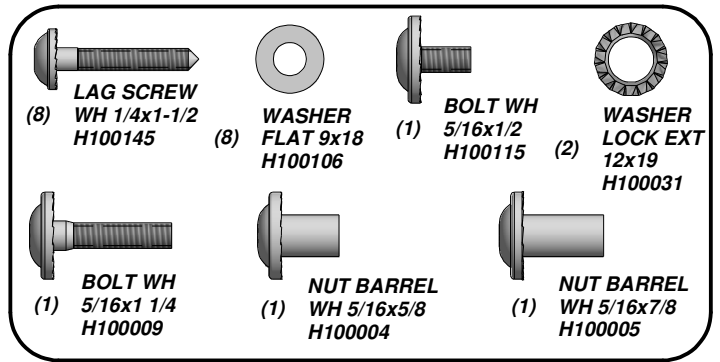
TWIST STAKES INTO GROUND AGAINST GROUND BOARDS AND CORNER POSTS IN LOCATIONS SHOWN. USING STAKE AS A TEMPLATE, DRILL A 3/16" HOLE FOR LAGS.

DETAIL "C"

DRIVE STAKE INTO GROUND AT LOCATIONS SHOWN. USING STAKE AS A TEMPLATE, DRILL A 7/16" HOLE FOR HARDWARE.

DETAIL "D"

DRIVE STAKE INTO GROUND AT LOCATIONS SHOWN. USING STAKE AS A TEMPLATE, DRILL A 7/16" HOLE FOR HARDWARE.



FINAL STEP

DOUBLE CHECK EVERY BOLT, SCREW AND NUT FOR TIGHTNESS. MAKE SURE EVERY BOARD IS SECURE AND MAKE SURE THE PLAY SET IS LEVEL.

ENJOY YOUR NEW PLAY SET!

NOTE:

FAILURE TO ATTACH GROUND STAKES COULD CAUSE INJURY AND WILL VOID WARRANTY!

Limited Warranty

This Limited Warranty by Backyard Discovery applies to products manufactured under the Backyard Discovery brand or its other brands including but not limited to Backyard Botanical, Adventure Playsets, and Leisure Time Products.

Backyard Discovery warrants that this product is free from defect in materials and workmanship for a period of one (1) year from the original date of purchase. This one (1) year warranty covers all parts including wood, hardware, and accessories. All wood carries a five (5) year pro-rated warranty against rot and decay. Refer to the schedule below for charges associated with replacement of parts under this Limited Warranty. In addition, Backyard Discovery will replace any parts within the first 30 days from date of purchase found to be missing from or damaged in the original packaging.

This warranty applies to the original owner and registrant and is **non-transferable**. Regular maintenance is required to assure maximum life and performance of this product and failure by the owner to maintain the product according to the maintenance requirements may void this warranty. Maintenance guidelines are provided in the Owner's Manual.

This Limited Warranty does not cover:

- Labor for any inspection
- Labor for replacement of any defective item(s)
- Incidental or consequential damages
- Cosmetic defects which do not affect performance or integrity of a part or the entire product
- Vandalism, improper use, failure due to loading or use beyond the capacities stated in the applicable Assembly Manual.
- Acts of nature including but not limited to wind, storms, hail, floods, excessive water exposure
- Improper installation including but not limited to installation on uneven, unlevel, or soft ground
- Minor twisting, warping, checking, or any other natural occurring properties of wood that do not affect performance or integrity

Backyard Discovery products have been designed for safety and quality. Any modifications made to the original product could damage the structural integrity of the unit leading to failure and possible injury. Modification voids any and all warranties and Backyard Discovery assumes no liability for any modified products or consequences resulting from failure of a modified product.

This product is warranted for RESIDENTIAL USE ONLY. Under no circumstance should a Backyard Discovery product be used in public settings. Such use may lead to product failure and potential injury. Any and all public use will void this warranty. Backyard Discovery disclaims all other representations and warranties of any kind, express or implied.

This Warranty gives you specific legal rights. You may have other rights as well which vary from state to state or province to province. This warranty excludes all consequential damages, however, some states do not allow the limitation or exclusion of consequential damages and therefore this limitation may not apply to you.

Pro Rated Part Replacement Schedule

Product Age

All Parts

0-30 days from date of purchase

31 days to 1 year

Wood Rot and Decay Only

1 year

2 years

3 years

4 years

5 years

Over 5 years

Customer Pays

\$0 and free shipping

\$0 + S&H

\$0 and free shipping

20% + S&H

40% + S&H

60% + S&H

80% + S&H

100% + S&H

