

DESCRIPTION

FPanel LED panel series provides premium performance and pleasing aesthetics while being optimized for shallow plenum grid ceilings or surface mounting. These panels are ideal for new construction as they were developed with Eaton's latest generation of solid state components and electronic driver technologies. Its refined visual optics and integrated grid retention clips provide the features needed for speed and installation flexibility. LED FPanels are an excellent lighting solution for commercial office spaces, schools, healthcare and retail merchandising areas.

Catalog #		Type	
Project		Date	
Comments			
Prepared by			

SPECIFICATION FEATURES

Construction

- Narrow aluminum bezel is tightly held to code gauge steel back plate
- Seamless corners to maximize the light emitting surface with a refined finish

Mounting

- Integral grid locking clips and separate suspension clips provided for installation flexibility when additional retention is required
- Junction box constructed of code gauge galvanized steel with and easy access hinged door
- Trade size knockouts provided
- Stock luminaire is less than 2" for use in shallow plenum or low ceiling spaces
- Surface or suspension mounting kits available
- IP5X rating options available
- Factory installed flexible cable with dimming leads options available

Controls

- Standard UNV 120 - 277V driver with 0-10V dimming to 10% standard
- Compatible with field installed wireless controls available for either Wavelinx or LumaWatt Pro

Electrical

- Standard and High Efficacy models available
- LED's available in 3000K, 3500K, 4000K, and 5000K with a minimum of 80 CRI
- 90 CRI available with 3000K
- Projected lumen maintenance based on TM21 testing standards is L73 > 60,000 hours
- Emergency battery pack options available in 7w and 14w options
- Battery pack options available as factory installed or field installed for remote mounting

Optical Shielding

- Acrylic light guide with specialized features to optimize light extraction
- White frost lens with smooth pattern for uniform illumination
- Scratch and impact resistant

Compliance

- Indoor luminaires are cULus listed for 25C ambient environments
- IC rated for direct insulation contact
- RoHS compliant
- Damp location listed
- IESNA LM-79 and LM-80 standards compliant
- DesignLights Consortium® Qualified and classified for DLC Standard
- Can be used for State of California Title 24 high efficacy luminaire

Warranty

- Five year warranty.



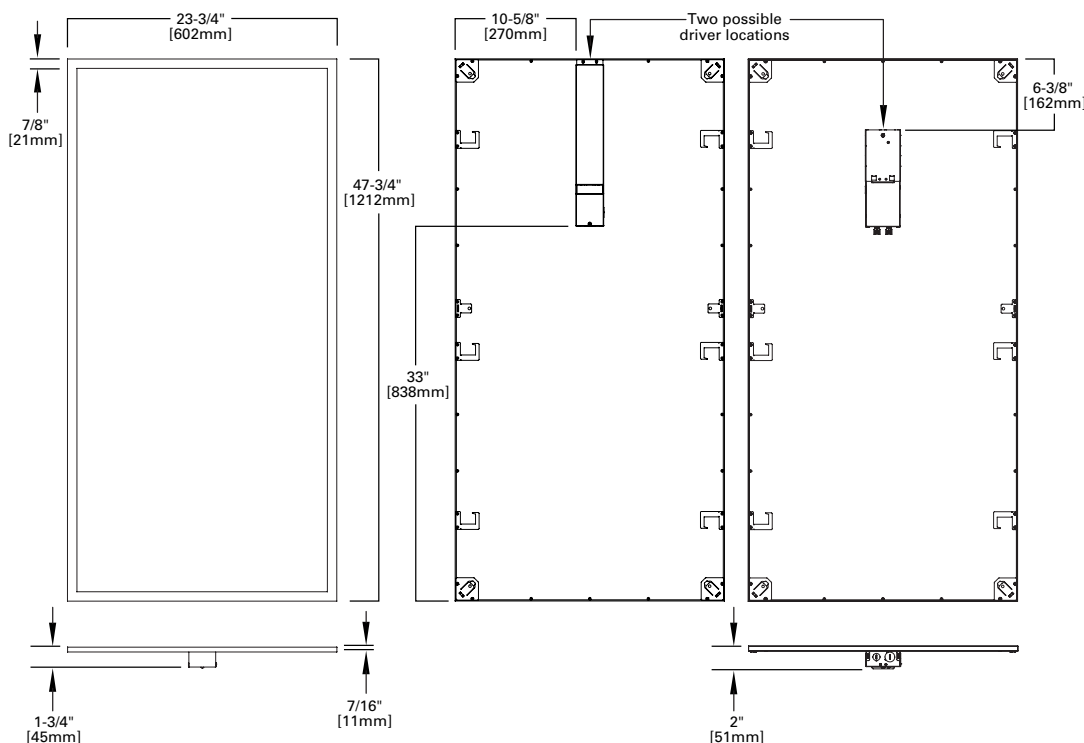
**24FP
LED**

2' X 4' LED PANEL

General LED Panel.
Recessed in Insulated
Ceilings or Surface Mount



DIMENSIONS



LOAD DATA (STOCK PRODUCT)

Thd	13%
Power Factor	0.96
Weight	18.5
Low Temp. Start	-20°C

ORDERING INFORMATION/PERFORMANCE

Catalog	UPC	CCT	CRI (Min)	Delivered Nominal Lumens	Watts	Efficacy (lm/W)	Input Current (A)	
							120V	277V
24FP4735C	080083833641	3500K	80	4990	40.4	124	.36	.15
24FP4740C	080083833665	4000K	80	4858	40.3	121		
24FP4750C	080083833689	5000K	80	5005	40.3	124		
24FP6435C	080083833702	3500K	80	6602	58.8	112	.51	.22
24FP6440C	080083833726	4000K	80	6611	59.4	111		
24FP6450C	080083833740	5000K	80	6746	59.4	114		
24FP3830C9 ⁽¹⁾	080083833825	3000K	90	3886	40.3	96	.36	.15
24FP5830C9 ⁽¹⁾	080083833849	3000K	90	5282	58.2	91	.51	.22
24FP3835HE	080083858927	3500K	80	3849	28.5	135	.24	.1
24FP3840HE	080083858941	4000K	80	3780	28.9	131	.25	.11
24FP3130C	080083858866	3000K	80	3328	28.6	116	.24	
24FP3135C	080083858880	3500K	80	3553	29.3	121	.25	
24FP3140C	080083858903	4000K	80	3608	29.4	123		

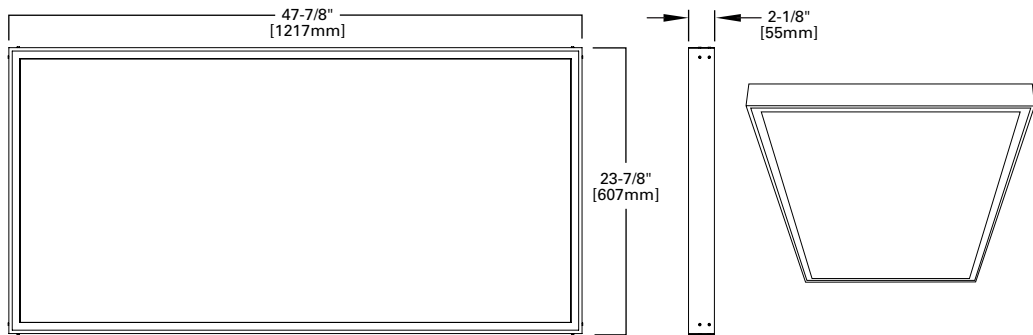
OPTIONS/ORDERING INFORMATION

<p>IP5X=IP5X rating Example catalog number=24FP4740C-IP5X</p>
<p>EL14W=EBPLED14W battery installed ⁽²⁾ EL7W=EBPLED7W battery installed ⁽²⁾ Example catalog number=24FP4740C-EL14W</p>
<p>A3/8-5D/18G=6' 3/8" flex with dimming leads installed ⁽³⁾ Example catalog number=24FP4740C-A3/8-5D/18G</p>

ACCESSORIES/ORDERING INFORMATION

SURFACE MOUNT KIT ⁽³⁾

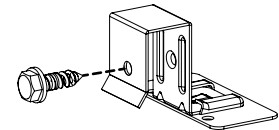
Catalog	UPC
FPSURF24	080083802746



CEILING RETENTION ⁽²⁾

Catalog	UPC
FPEQ	080083802685

Required by some local codes
 Order one set for each fixture
 (Four clips per kit)



DRYWALL FRAME KIT

Catalog	UPC
DF-24W-U	662401232970

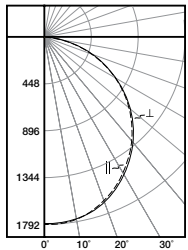
Notes:

- ⁽¹⁾ May have extended lead-times.
- ⁽²⁾ Indicator/test switch to be installed separately. For approximate delivered lumens multiply the lumens per watt of the desired fixture by the wattage of the emergency battery pack (100 lm/W x 7=700 lumens).
- ⁽³⁾ May not be used with EL7W or EL14W options

SHIPPING DATA

Size	Wt.	Pallet (30" x 56")
2' x 4'	22 lbs.	17

PHOTOMETRICS



24FP4735C

Electronic Driver
Linear LED 3500K
Spacing criterion: (II) 1.24 x mounting height, (L) 1.26 x mounting height
Lumens: 5073
Input Watts: 40W
Efficacy: 126 lm/W
Test Report: 24FP4735C.IES

Candlepower

Table with columns: Angle, Along II, 45°, Across L. Rows: 0, 5, 10, 15, 20, 25, 30, 35, 40, 45, 50, 55, 60, 65, 70, 75, 80, 85, 90.

Coefficients of Utilization

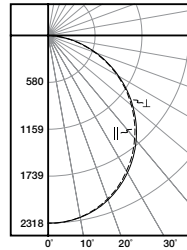
Table with columns: rc, rw, RCR and Effective floor cavity reflectance (80%, 70%, 50%, 30%, 10%, 0%). Rows: 0-10.

Zonal Lumen Summary

Table with columns: Zone, Lumens, % Fixture. Rows: 0-30, 0-40, 0-60, 0-90, 0-180.

Luminance Data

Table with columns: Angle in Deg, Average 0-Deg cd/sm, Average 45-Deg cd/sm, Average 90-Deg cd/sm. Rows: 45, 55, 65, 75, 85.



24FP6440C

Electronic Driver
Linear LED 4000K
Spacing criterion: (II) 1.25 x mounting height, (L) 1.26 x mounting height
Lumens: 6611.3
Input Watts: 59.4W
Efficacy: 111.3 lm/W
Test Report: 24FP6440C.IES

Candlepower

Table with columns: Angle, Along II, 45°, Across L. Rows: 0, 5, 10, 15, 20, 25, 30, 35, 40, 45, 50, 55, 60, 65, 70, 75, 80, 85, 90.

Coefficients of Utilization

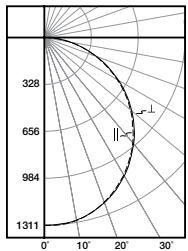
Table with columns: rc, rw, RCR and Effective floor cavity reflectance (80%, 70%, 50%, 30%, 10%, 0%). Rows: 0-10.

Zonal Lumen Summary

Table with columns: Zone, Lumens, % Fixture. Rows: 0-30, 0-40, 0-60, 0-90, 0-180.

Luminance Data

Table with columns: Angle in Deg, Average 0-Deg cd/sm, Average 45-Deg cd/sm, Average 90-Deg cd/sm. Rows: 45, 55, 65, 75, 85.



24FP3840HE

Electronic Driver
Linear LED 4000K
Spacing criterion: (II) 1.25 x mounting height, (L) 1.26 x mounting height
Lumens: 3780
Input Watts: 28.9W
Efficacy: 130.8 LPW
Test Report: 24FP3840HE.IES

Candlepower

Table with columns: Angle, Along II, 45°, Across L. Rows: 0, 5, 10, 15, 20, 25, 30, 35, 40, 45, 50, 55, 60, 65, 70, 75, 80, 85, 90.

Coefficients of Utilization

Table with columns: rc, rw, RCR and Effective floor cavity reflectance (80%, 70%, 50%, 30%, 10%, 0%). Rows: 0-10.

Zonal Lumen Summary

Table with columns: Zone, Lumens, % Fixture. Rows: 0-30, 0-40, 0-60, 0-90, 0-180.

Luminance Data

Table with columns: Angle in Deg, Average 0-Deg cd/sm, Average 45-Deg cd/sm, Average 90-Deg cd/sm. Rows: 45, 55, 65, 75, 85.