

# 88 5558 53

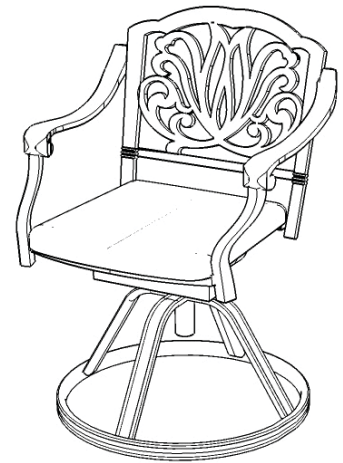
## Floral Blossom Swivel Arm Chair with Cushion

### IMPORTANT NOTE

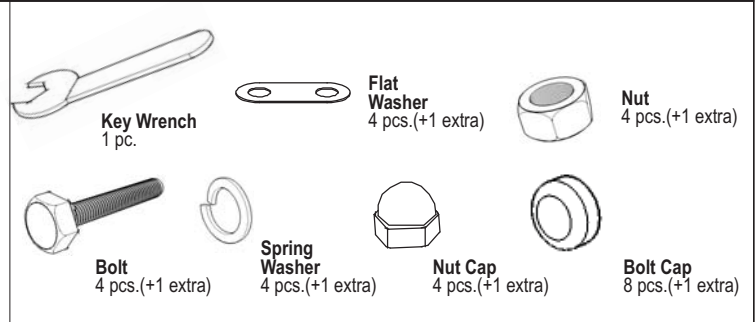
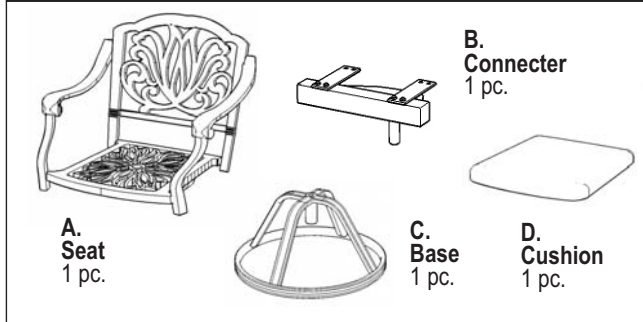
Carefully remove all the parts from the carton and put them individually on a soft cloth to prevent scratches or other damages occurring to the wood parts.

We have taken great care in the design of this product and request that you carefully and strictly follow our assembly instructions to ensure a completed product as it was designed.

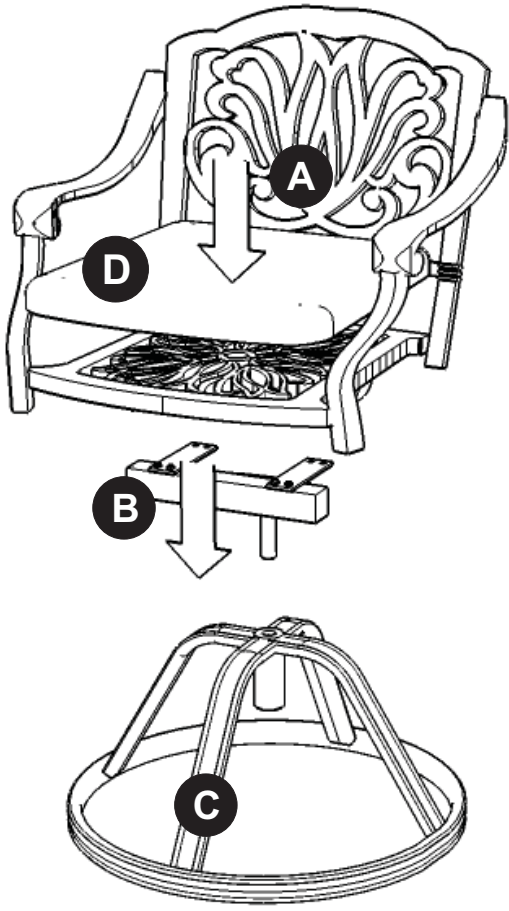
Home Styles



## Part List Hardware List



## Chair Assembly



Slide Connector (B) into Base (C)

Place Seat (A) onto unit with Bolts, Spring Washers, Flat Washers and Nuts. (see Figure 1)

Tighten all Bolts with Key Wrench. Cover all Nuts and Bolt heads with Nut Caps and Bolt Caps.

Place Cushion (D) onto seat.

Use the tie-downs on Cushion (D) to attach to chair.

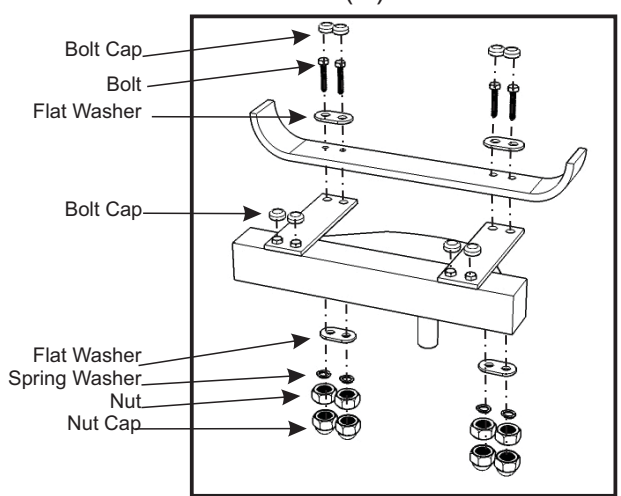
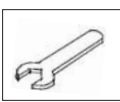


Figure 1



Please keep the Key Wrench as you may need to retighten the Bolts in the future.