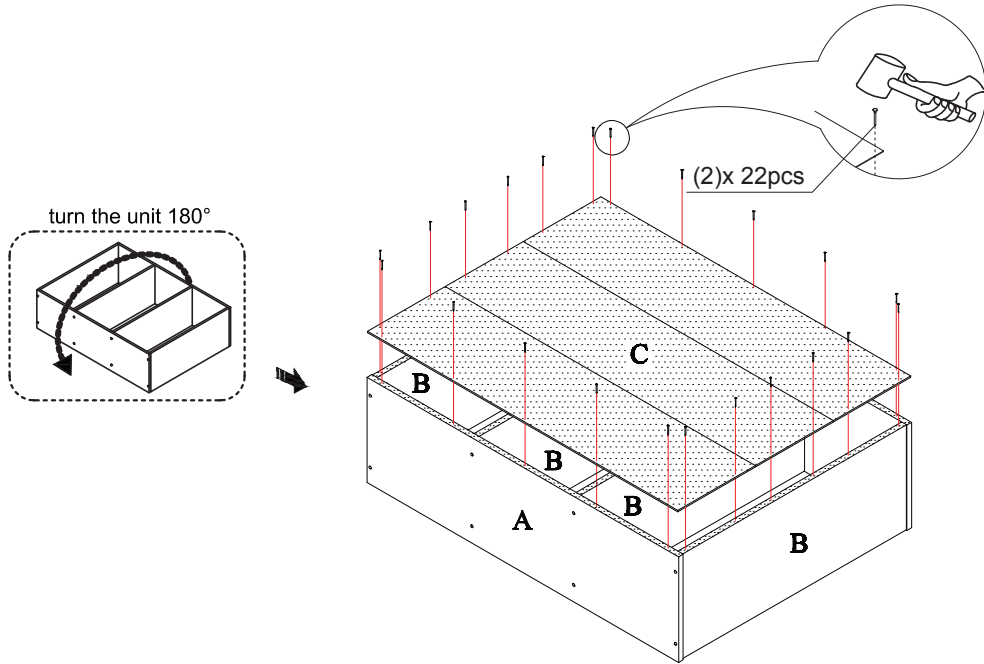
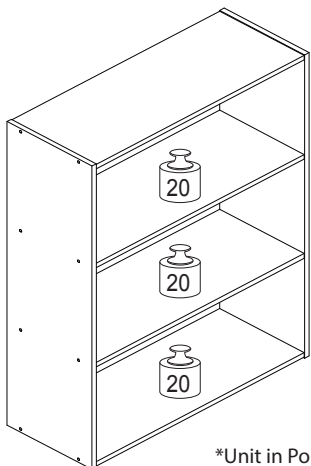


#### STEP 4

Attach Back Panel (C) to assembled unit using Power Pin (2).



#### Recommended Maximum Weight



\*Unit in Pound(lbs)

#### **WARNING:**

>This unit has been designed to support the maximum loads shown. Exceeding these load limits could cause sagging, instability, product collapse, and/or serious injury.

>DO NOT allow children to climb on unit.

>Put heavier items on lower shelves.



### **Assembly Instruction**

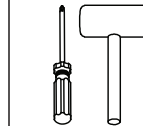
Furinno Pasir 3 Tier Open Shelf  
MODEL : 11208

00:30

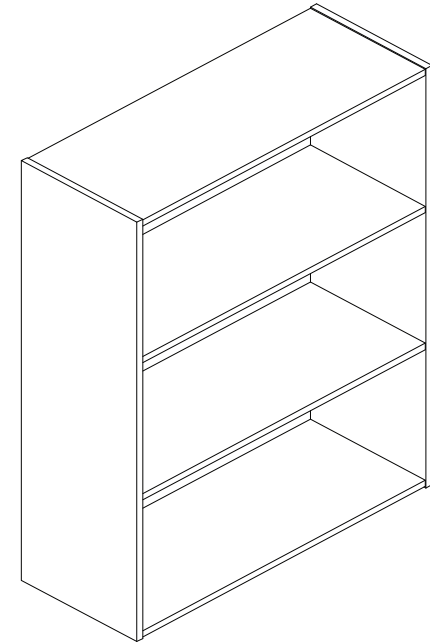
Approx. 30 minutes



Recomm. 2 Person



Tools Required

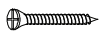



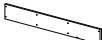


#### **Customer Support**

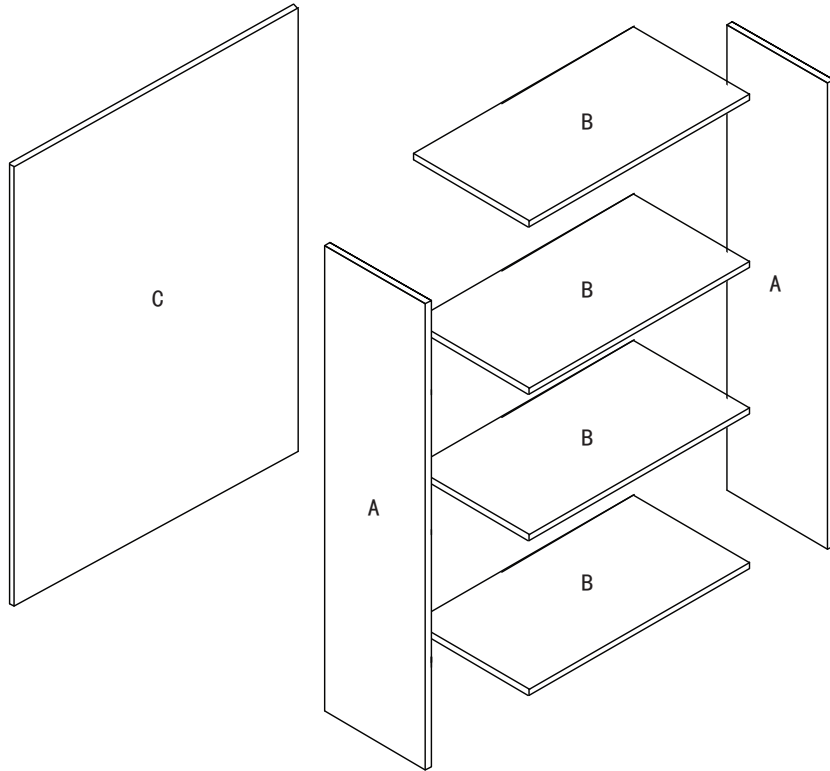
**NEED HELP?** For replacement requests or product inquiries, please contact our Customer Service Team by emailing us at [support@furinno.com](mailto:support@furinno.com). Thank you for selecting Furinno!

[www.furinno.com](http://www.furinno.com)



No	Hardware List	Qty
1	Screw 	16pcs
2	Power Pin 	22pcs

No	Parts List	Qty
A	L/R Side Panel 	2pcs
B	Shelf Panel 	4pcs
C	Back Panel 	1pc

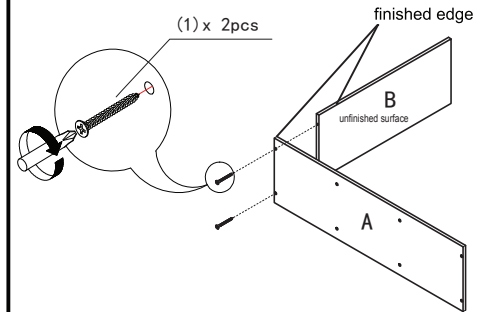


#### **USEFUL HINTS BEFORE YOU START:**

1. Read each step carefully before starting.
2. It is important that each step is performed in correct order to avoid difficulties.
3. Identify, sort and count the parts before assembly.
4. Assemble your furniture on packaging cardboard to prevent scratch or damage.
5. Clean the product with mild cleanser using soft damped cloth. Do not use harsh or abrasive cleanser.
6. Using incompatible hardware might cause damage to product.

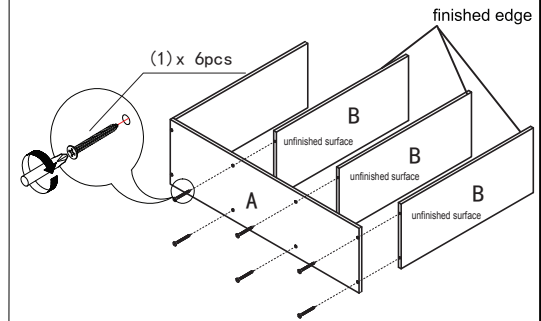
#### **STEP 1**

Attach Shelf Panel (B) to Left Side Panel (A) using Screw (1).



#### **STEP 2**

Repeat Step 1, as shown:



#### **STEP 3**

Attach Right Side Panel (A) with completed unit in Step 2 using Screw (1).

