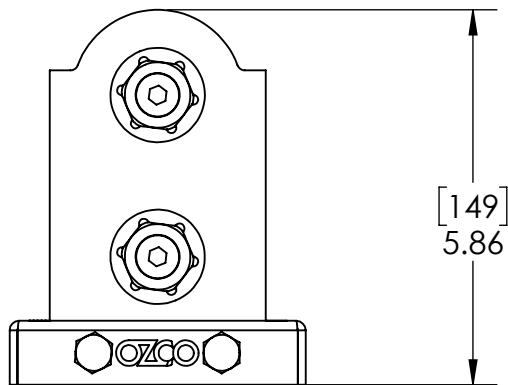
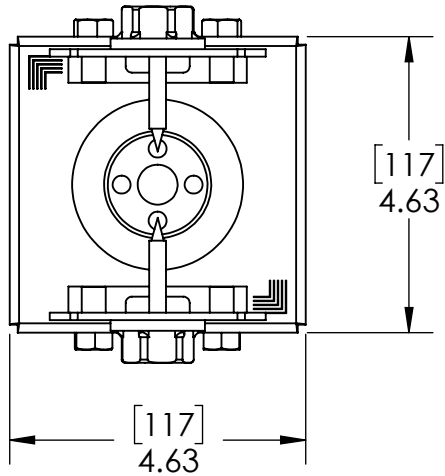


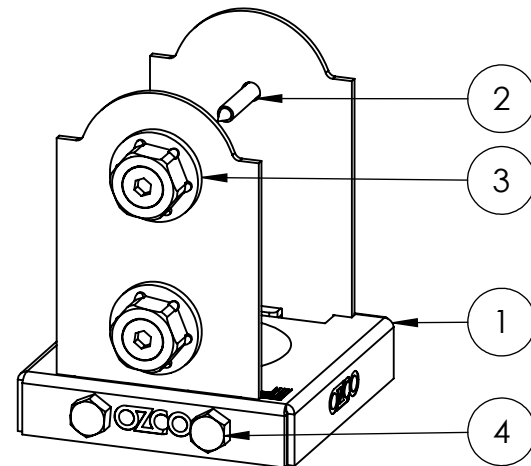
# Product & Packaging Specs

## Lite 4x4 Post Base (4x4-PB-LSL)

Item #: 54207



ITEM NO.	QTY.	PART NUMBER	DESCRIPTION
1	1	54207-11	Base, Lite 4x4 Post
2	2	54207-12	Plate, Compression Lite 4x4 Post Base, Laredo Sunset
3	0.16	56625	Screw, OWT 1-3/4" (45mm) Timber with HCN
4	4	HBOLT 0.3750-16x0.75x0.75-N	



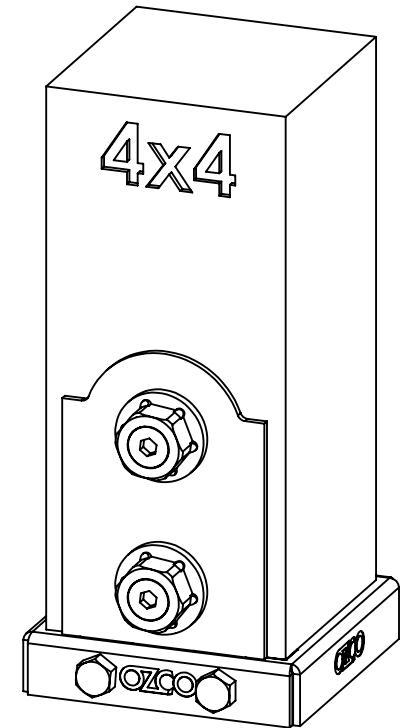
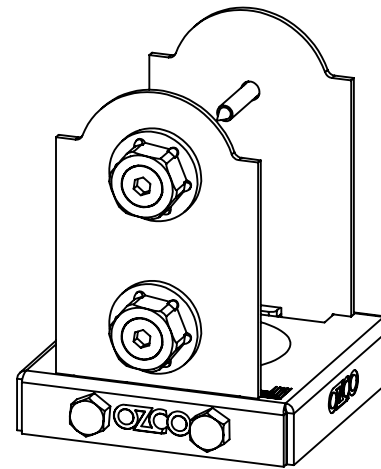
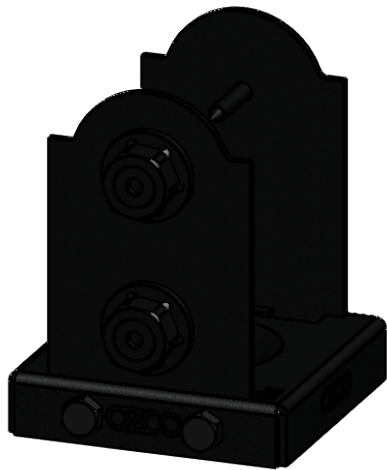
Weight: 2.60 LBS  
 Scale: 1:3  
 Last updated: 11/3/2017

54207

# Product & Packaging Specs

## Lite 4x4 Post Base (4x4-PB-LSL)

Item #: 54207



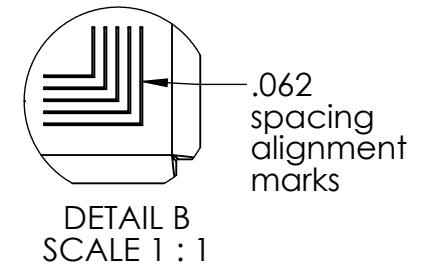
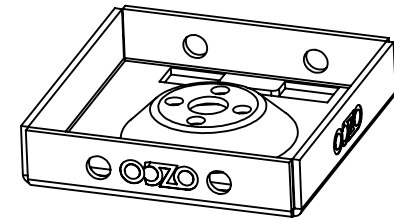
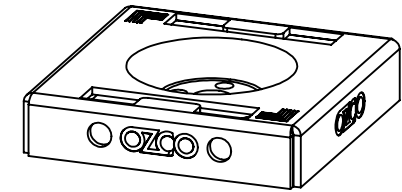
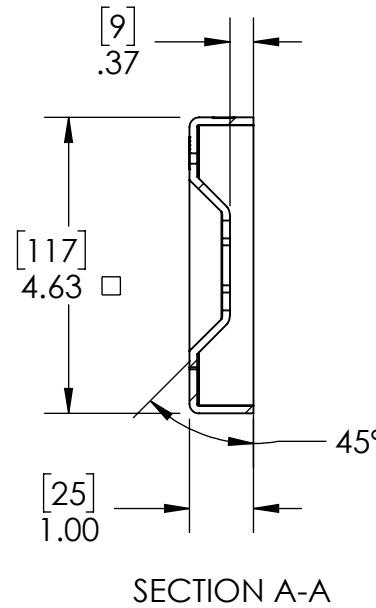
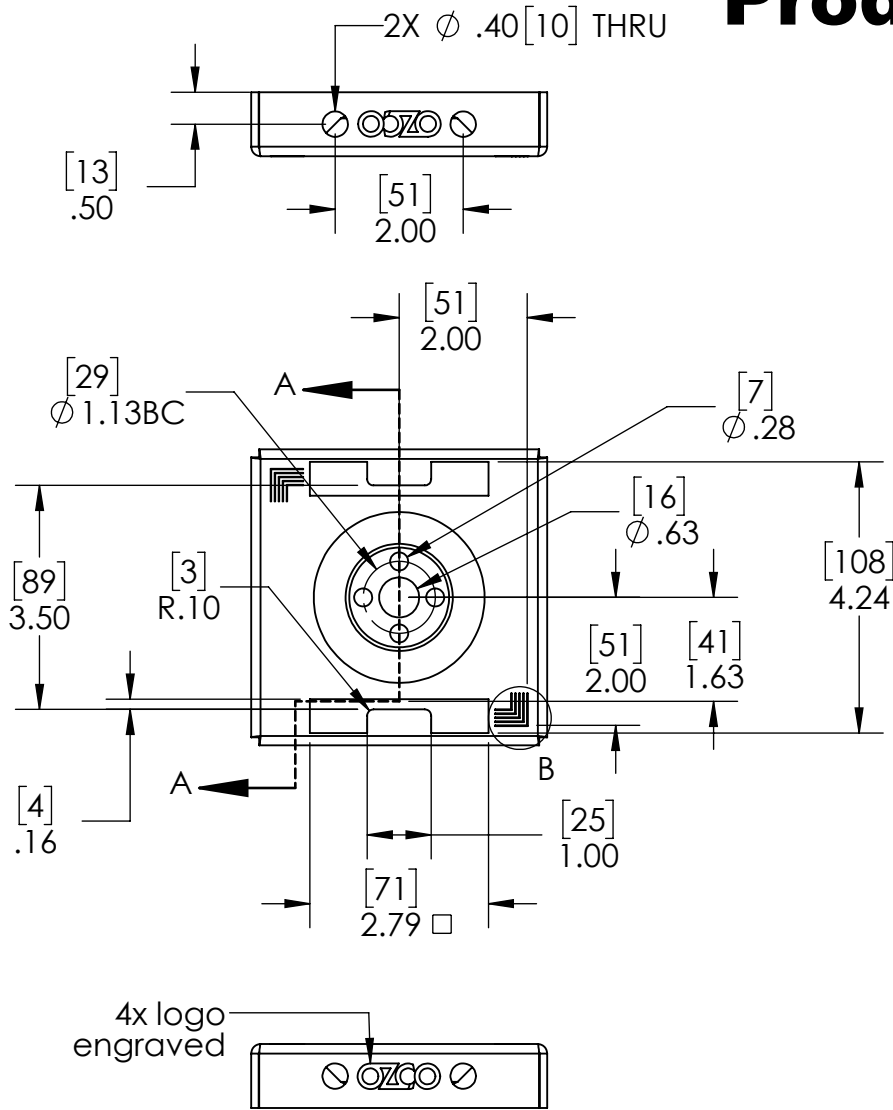
Weight: 2.60 LBS  
Scale: 1:1  
Last updated: 11/3/2017

54207

# Product & Packaging Specs

## Base, Lite 4x4 Post

Item #: 54207-11



Weight: 1.14 LBS  
Scale: 1:3  
Last updated: 11/3/2017

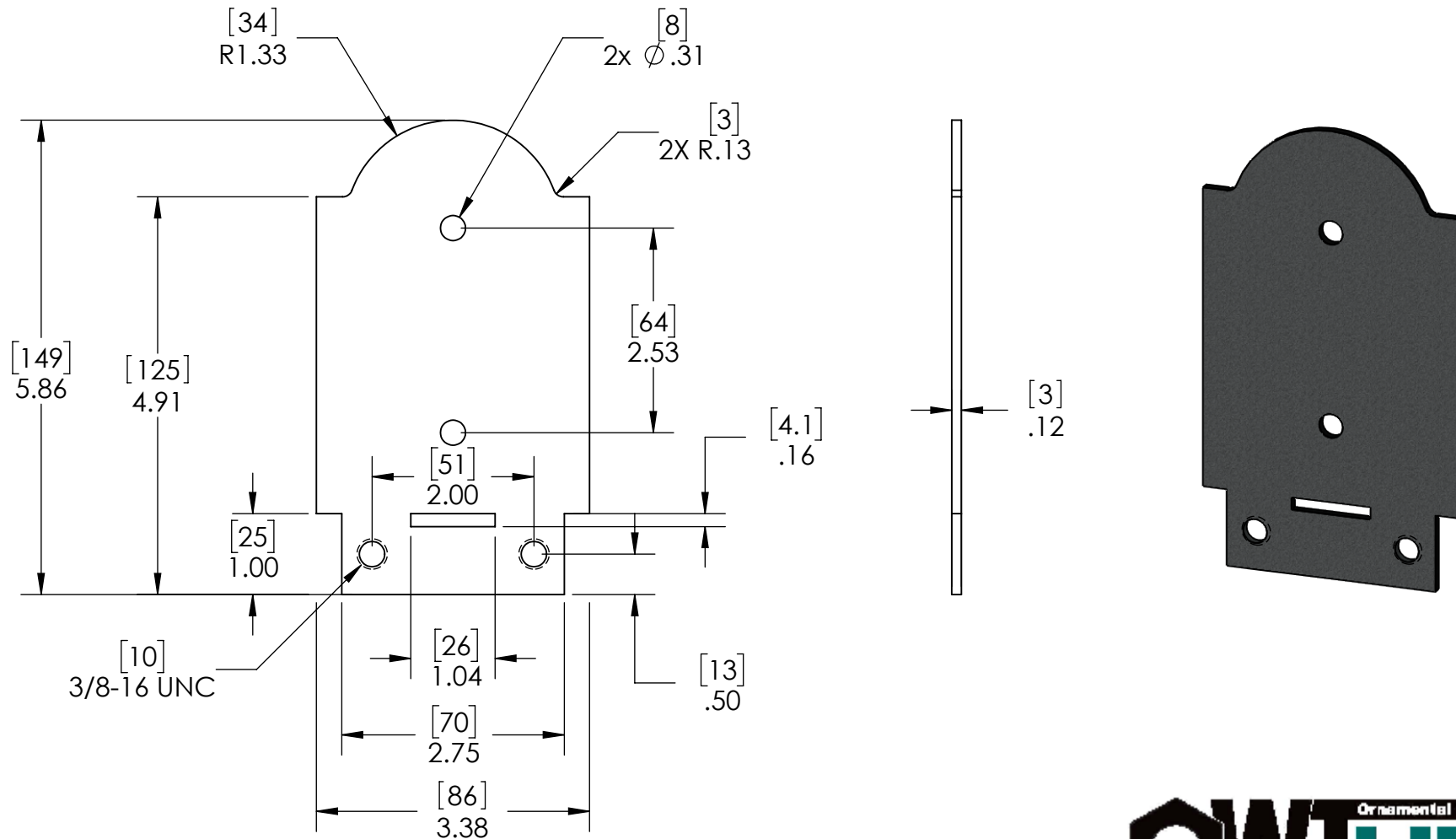
54207



# Product & Packaging Specs

## Plate, Compression Lite 4x4 Post Base, Laredo Sunset

Item #: 54207-12



Weight: 0.58 LBS  
 Scale: 1:2  
 Last updated: 11/3/2017

54207

**OWTLITE** Ornamental Wood Ties

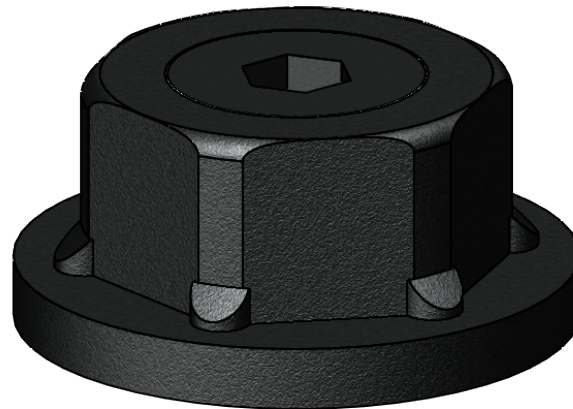
**OZCO** BUILDING PRODUCTS

V2.00 - Installation Instructions, Specifications and Project Plans are effective 11/3/2017 . This information is updated periodically and should not be relied upon after 2 years from 11/3/2017 . Please visit [OZCOBP.com](http://OZCOBP.com) to get current information.

# Product & Packaging Specs

## 1 1/2" Hex Cap Nut (HCN)

Item #: 56621



Weight: 0.04 LBS  
Scale: 1:1  
Last updated: 11/3/2017

for additional details, see drawing 56621



# Product & Packaging Specs

## Screw, OWT 2-3/4" (70mm) Timber

Item #: 56626



Weight: 0.02 LBS  
Scale: 2:1  
Last updated: 11/3/2017

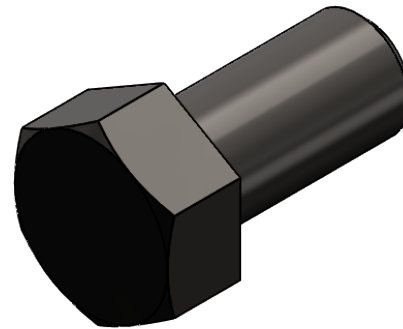
for additional details, see drawing OWT Timber Screws

54207

V2.00 - Installation Instructions, Specifications and Project Plans are effective 11/3/2017 . This information is updated periodically and should not be relied upon after 2 years from 11/3/2017 . Please visit [OZCOBP.com](http://OZCOBP.com) to get current information.

# Product & Packaging Specs

Item #:



Weight: LBS  
Scale: 2:1  
Last updated: 11/3/2017

54207



# Product & Packaging Specs

## Lite 4x4 Post Base (4x4-PB-LSL)

Item #: 54207

Weight: 2.60 LBS  
Scale: 1:1  
Last updated: 11/3/2017

54207





# Product & Packaging Specs

## Lite 4x4 Post Base (4x4-PB-LSL)

Item #: 54207

Weight: 2.60 LBS  
Scale: 1:1  
Last updated: 11/3/2017

54207



# Product & Packaging Specs

## Lite 4x4 Post Base (4x4-PB-LSL)

Item #: 54207

Weight: 2.60 LBS  
Scale: 1:1  
Last updated: 11/3/2017

54207

additional box packing instructions

- cellophane clear wrap package



# Product & Packaging Specs

## Lite 4x4 Post Base (4x4-PB-LSL)

Item #: 54207

Weight: 2.60 LBS  
Scale: 1:1  
Last updated: 11/3/2017

54207



# Product & Packaging Specs

## Lite 4x4 Post Base (4x4-PB-LSL)

Item #: 54207

54307

Weight: 2.60 LBS  
Scale: 1:1  
Last updated: 11/3/2017

54207



# Product & Packaging Specs

## Lite 4x4 Post Base (4x4-PB-LSL)

Item #: 54207

54407

Weight: 2.60 LBS  
Scale: 1:1  
Last updated: 11/3/2017

54207

additional pallet packing instructions

- plywood on top layer
- strap to pallet
- clear wrap around boxes