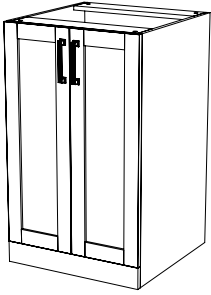
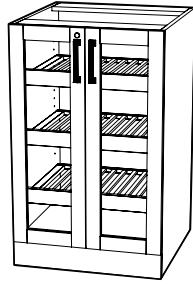


HOME BAR SERIES

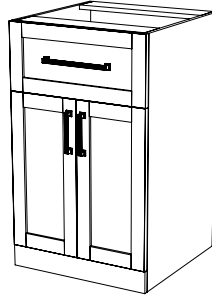
CABINETS



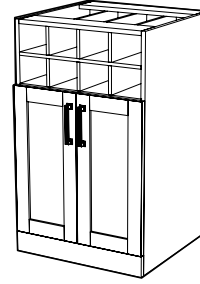
2 Door Cabinet



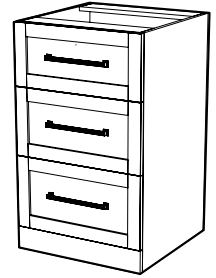
Display Cabinet



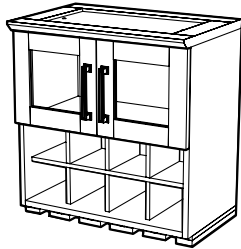
Split



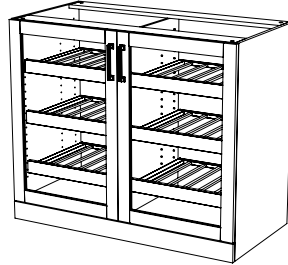
Wine Storage Cabinet



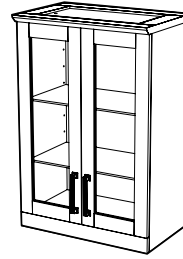
3 Drawer Cabinet



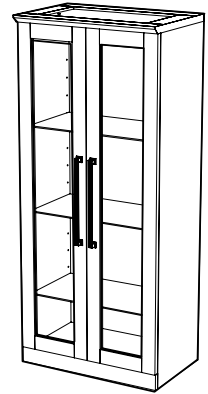
Wall Wine Rack



Double Display Cabinet

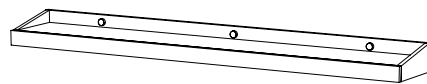


Short Wall

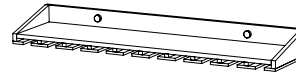


Tall Wall

SHELVING

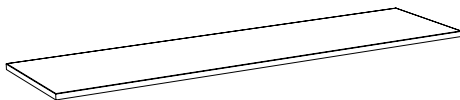


63" Shelf

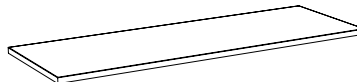


42" Shelves

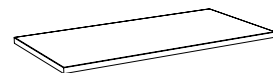
COUNTERTOPS



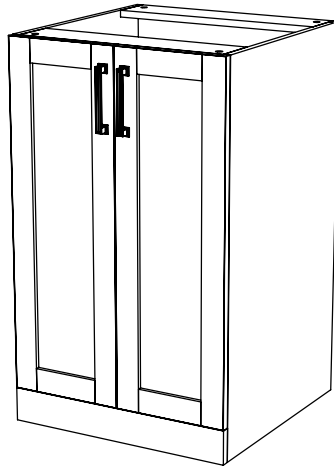
84" Countertop



63" Countertop



42" Countertop



HOME BAR SERIES

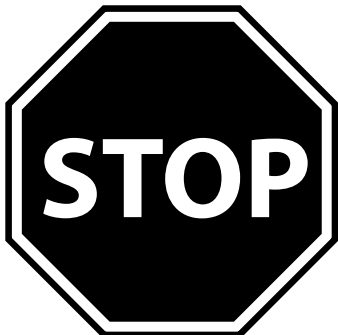
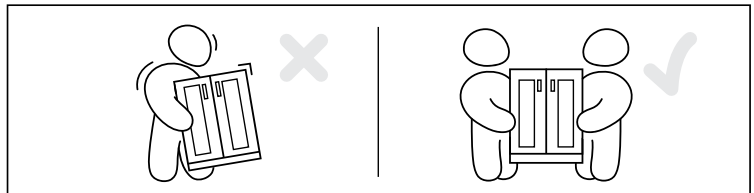
21in. 2 DOOR CABINET

Warning: Excessive weight hazard!



Use two or more people to move, assemble, or install cabinets to avoid back injury. Do not leave children unattended near cabinets. High risk of tipping if cabinets are installed incorrectly: securely attach cabinets to the wall to avoid serious injury.

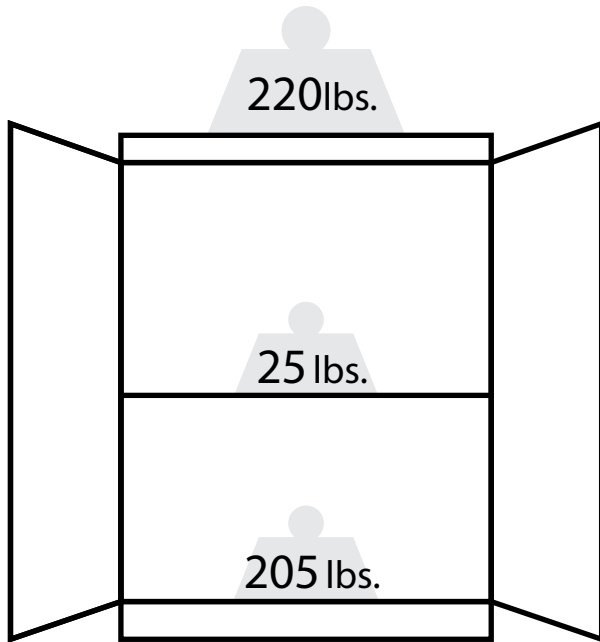
For assistance, call 1.877.306.8930; for U.K 0800.031.4069; e-mail at info@newageproducts.com.



ATTENTION: Is your cabinet damaged?

Need help or spare parts? For fastest service, contact NewAge Products at 1-877-306-8930; or support@newageproducts.com. Do not return to the retailer.

Weight Capacity



Bottle Display
Base Cabinet
Max 500lbs.

Countertops



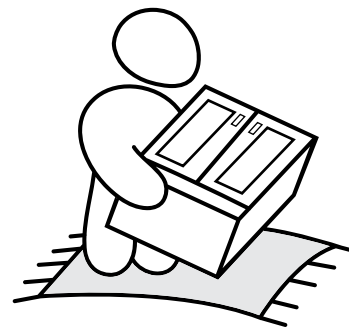
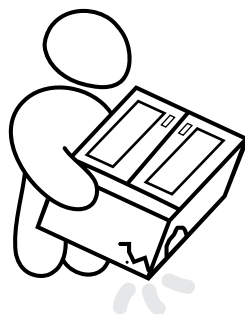
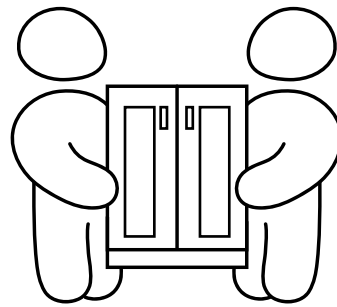
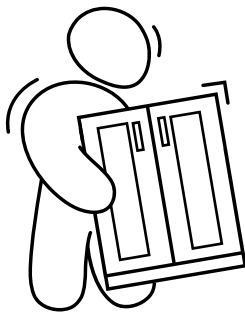
42" Countertop. Fits over 2 Cabinets



63" Countertop. Fits over 3 Cabinet



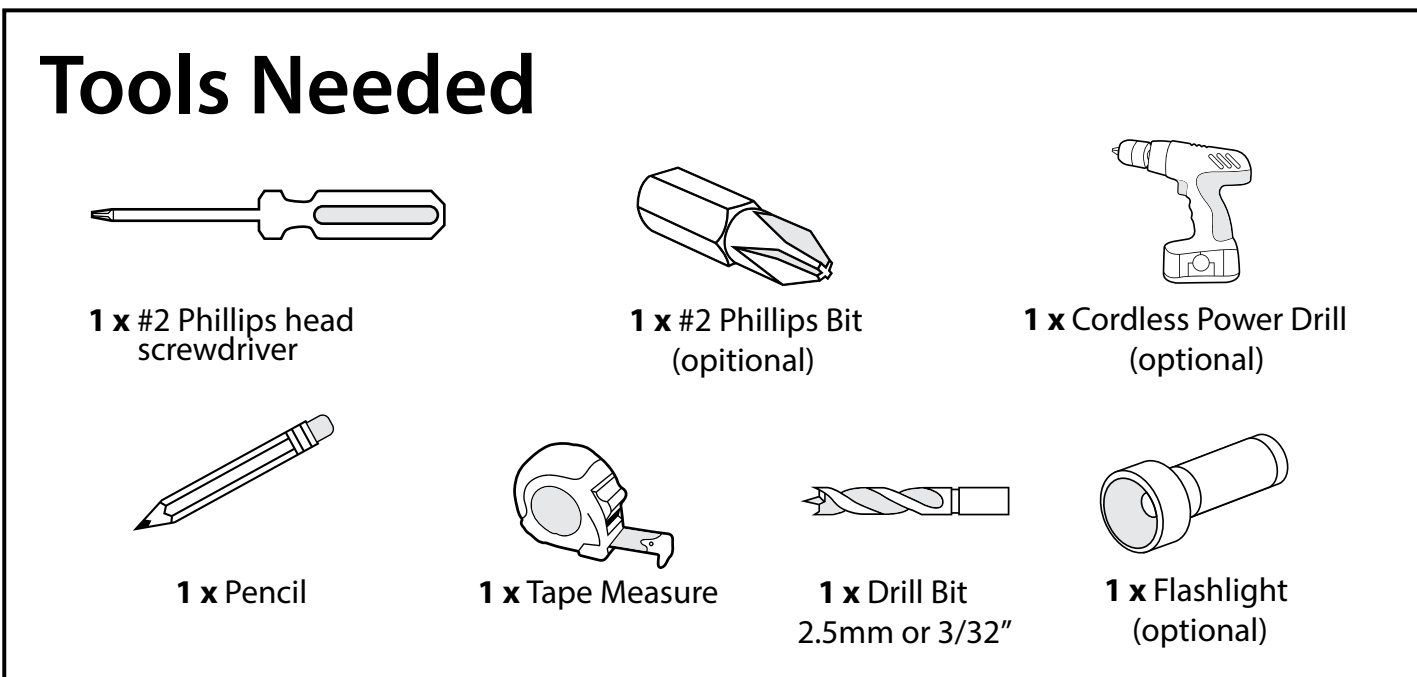
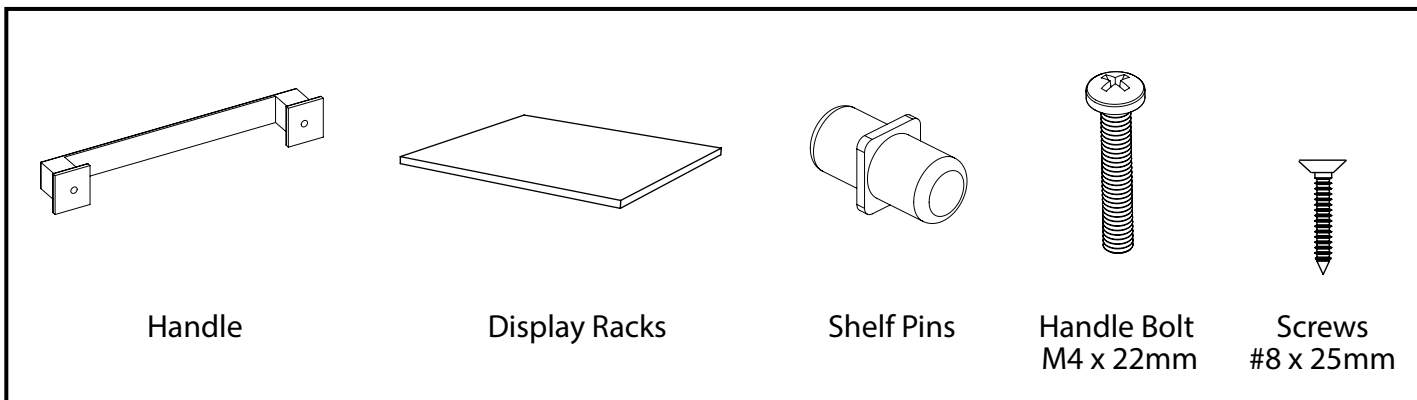
84" Countertop. Covers over 4 Cabinet



Unpacking

- Begin by placing the package on a covered flat surface.
- Remove all cardboard, foam packaging material and clear plastic bags.
- Dispose / recycle all packaging materials.
- Verify all the contents in the box and gather the required tools. See "Parts" and "Tools Needed" in the list below.

Parts Supplied	2 Door Cabinet Cabinet
Handles	2
Handle Bolts (M4 x 22mm)	4
Adjustable Shelf	1
Shelf Pins	8
#8 x 25mm Screws	6

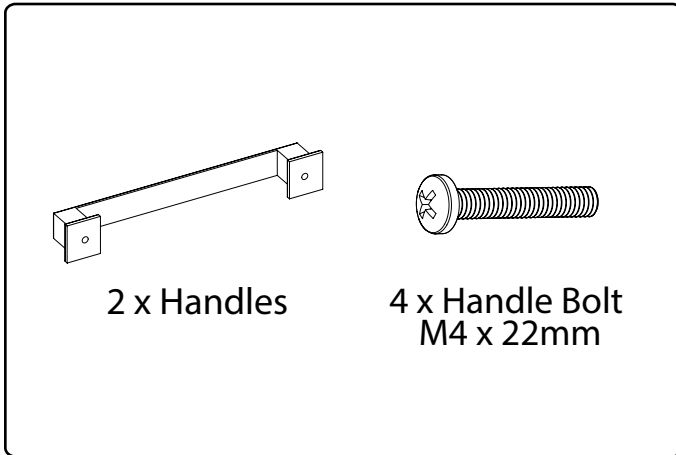


Installing the Handles

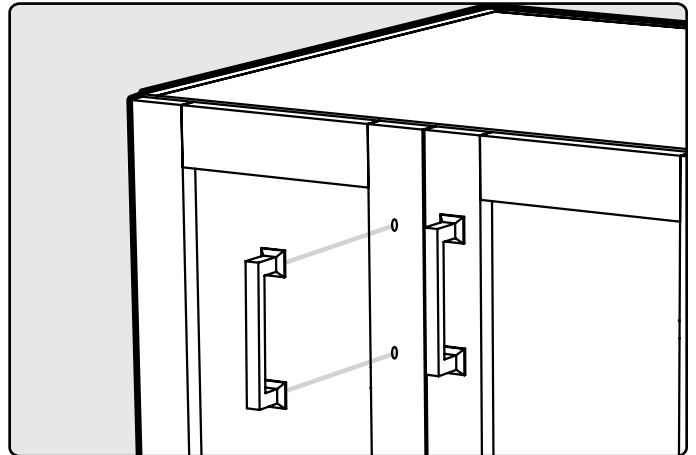
Note:

Cabinets come with handles installed on inside of drawers/doors.

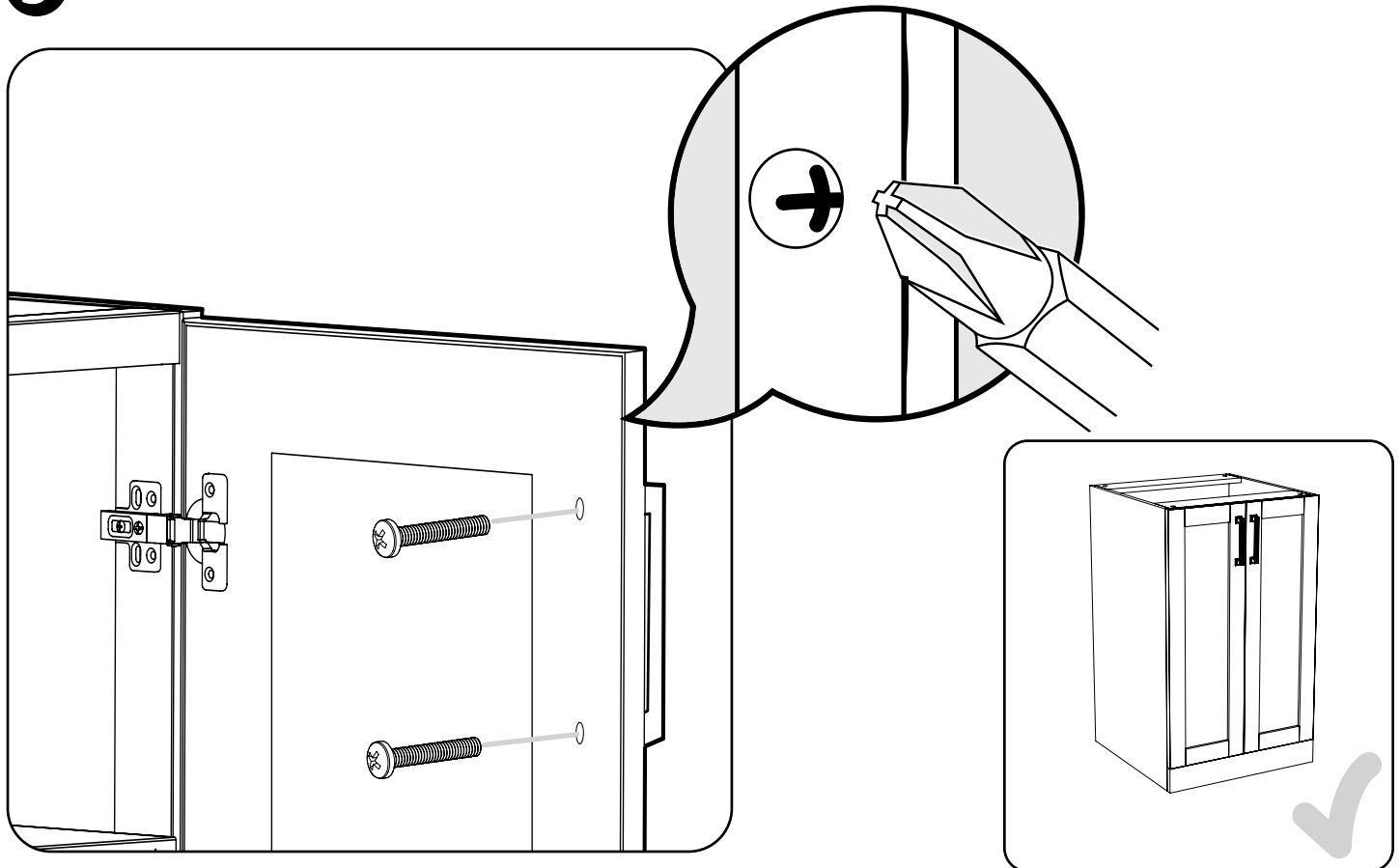
1 Parts Needed.



2 Align handle to holes on doors or drawers.



3 Screw in bolts.

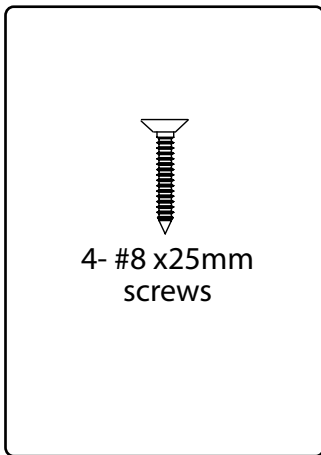


Fastening Cabinets

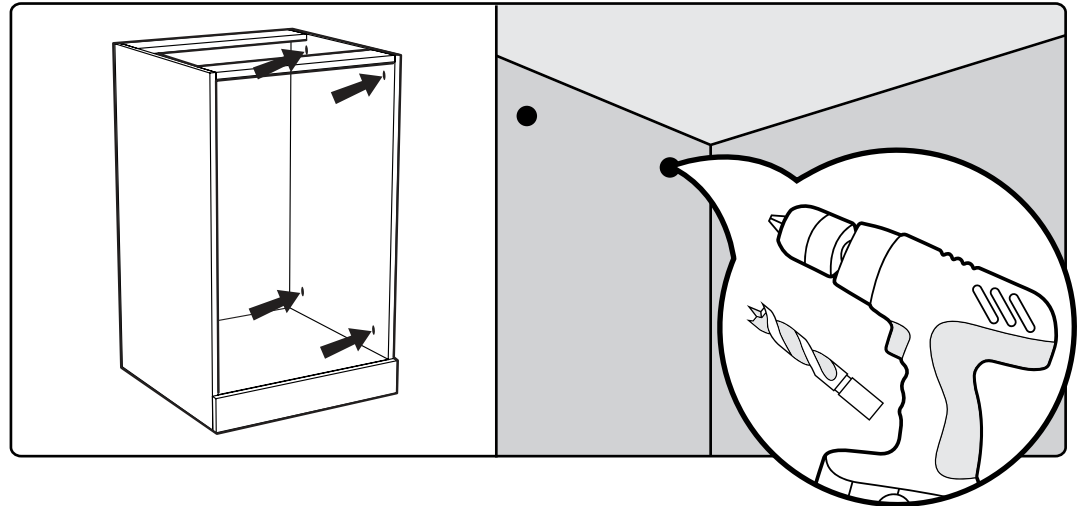
Note:

All shelves must be removed prior to fastening cabinets together.

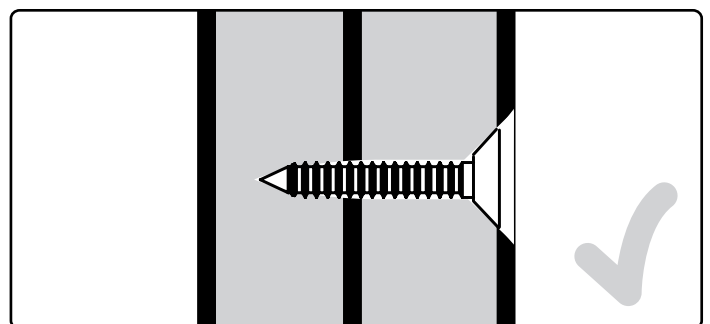
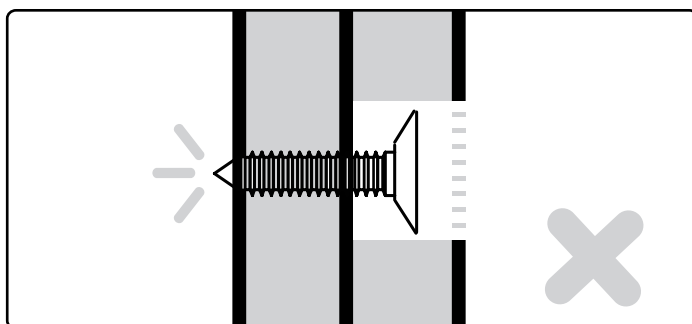
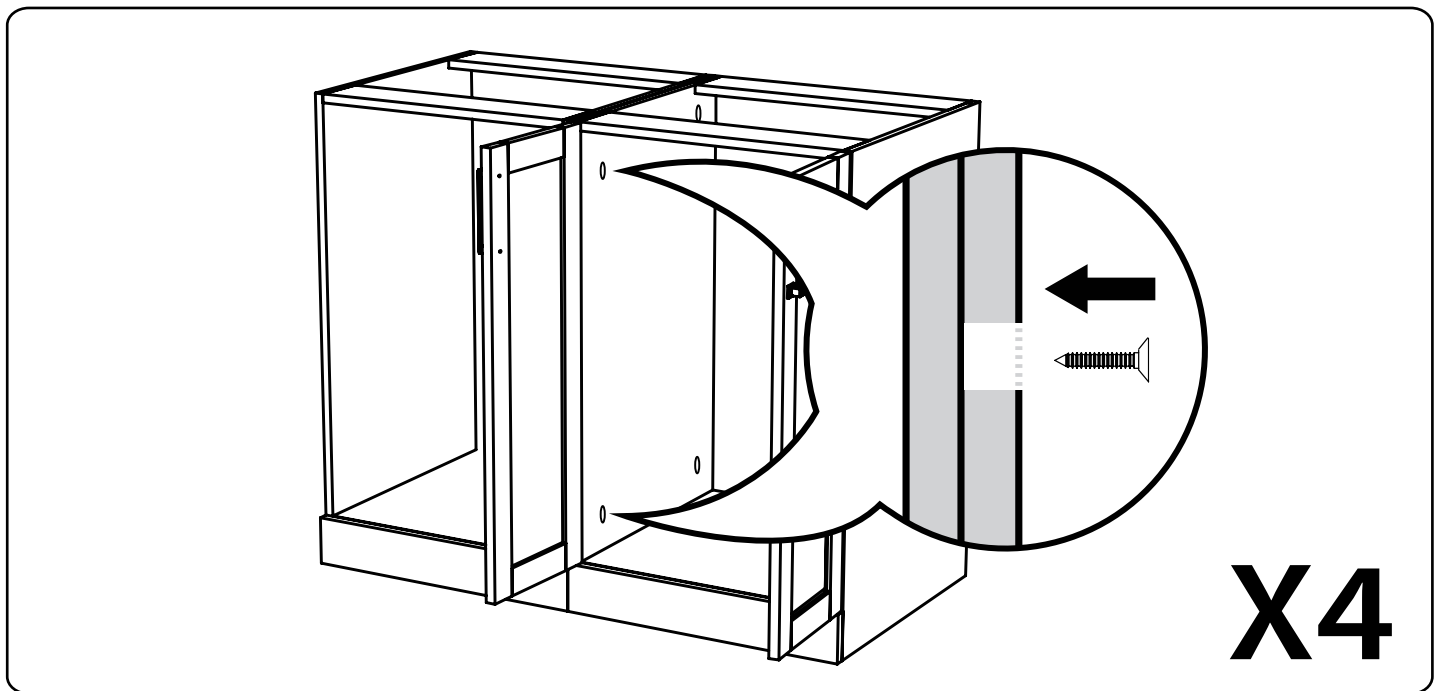
4 Parts Needed.



5 Drill 3/32" pilot holes on interior wall of cabinet being fastened.

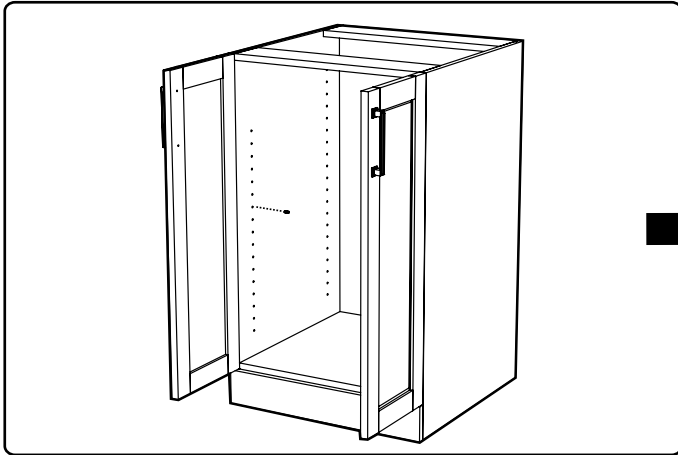


6 Using pilot hole as guides, screw into second cabinet. Do not over-tighten screws and punch through other side!

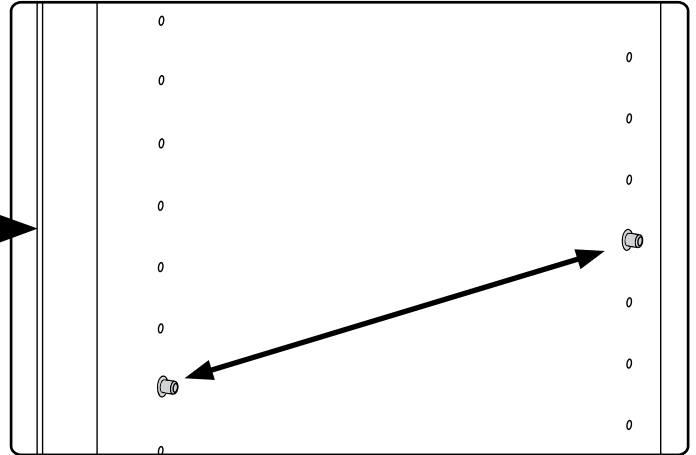


Inserting Cabinets Shelves on an angle

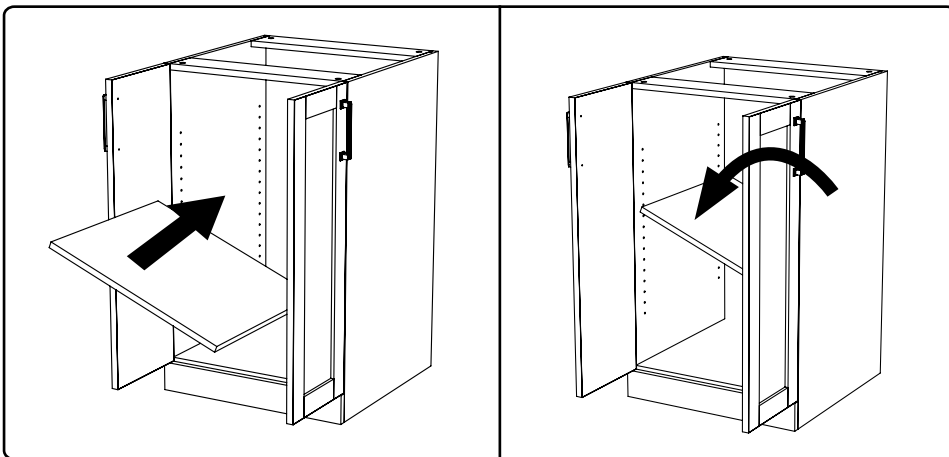
11 Open cabinet doors. Attach shelf clips to desired height.



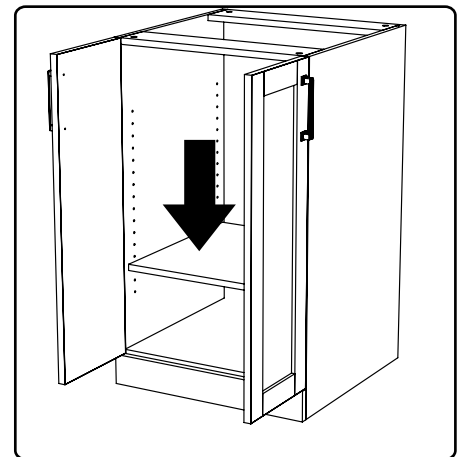
12 Make sure shelf supports are located at the same height.



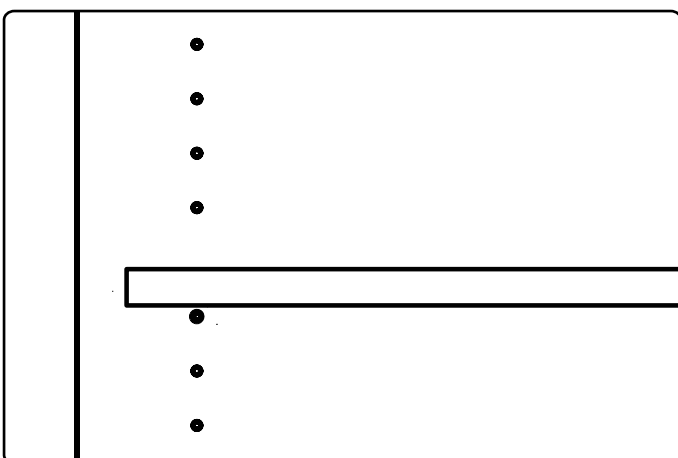
13 Insert rack at a slight angle and position over shelf supports. Rotate shelf so it is level.



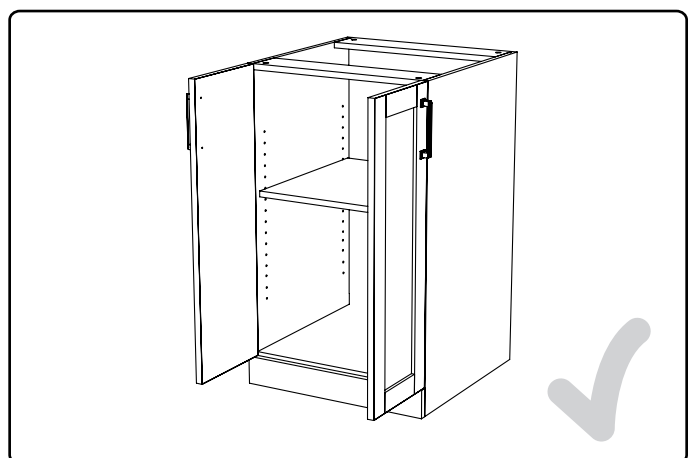
14 Lower shelf down onto shelf supports.

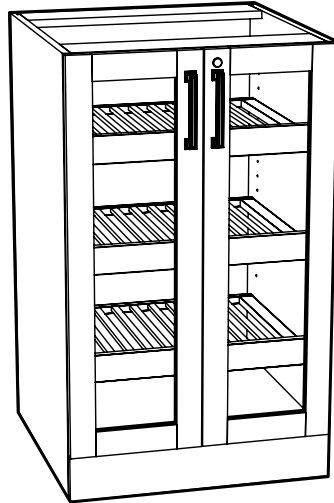


15 Rest shelf on shelf supports



16 Insert remaining shelves.





HOME BAR SERIES

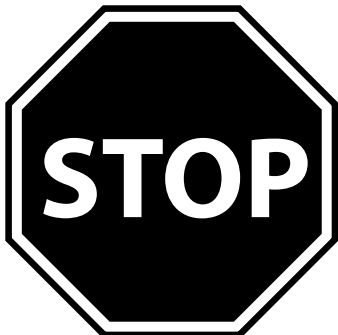
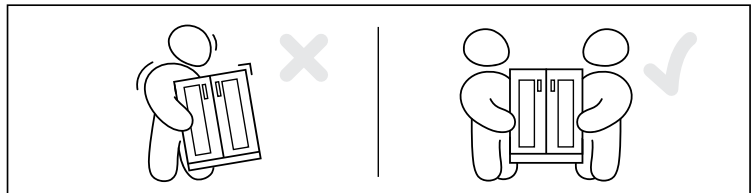
21in. DISPLAY CABINET

Warning: Excessive weight hazard!



Use two or more people to move, assemble, or install cabinets to avoid back injury. Do not leave children unattended near cabinets. High risk of tipping if cabinets are installed incorrectly: securely attach cabinets to the wall to avoid serious injury.

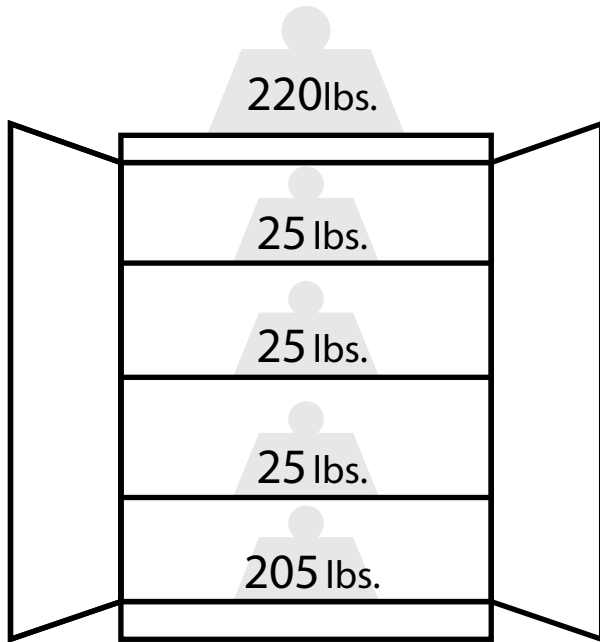
For assistance, call 1.877.306.8930; for U.K 0800.031.4069; e-mail at info@newageproducts.com.



ATTENTION: Is your cabinet damaged?

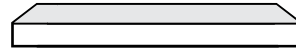
Need help or spare parts? For fastest service, contact NewAge Products at 1-877-306-8930; or support@newageproducts.com. Do not return to the retailer.

Weight Capacity

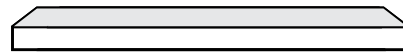


Bottle Display
Base Cabinet
Max 500lbs.

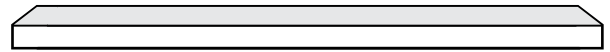
Countertops



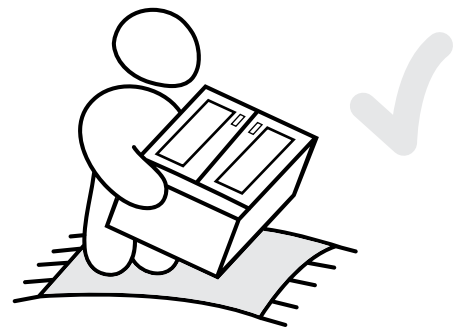
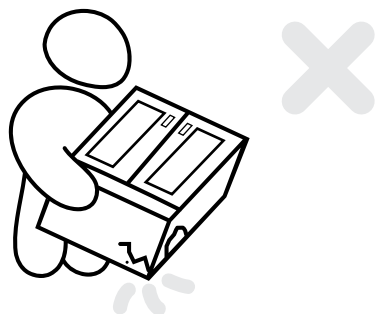
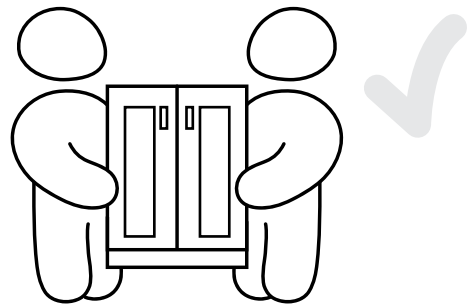
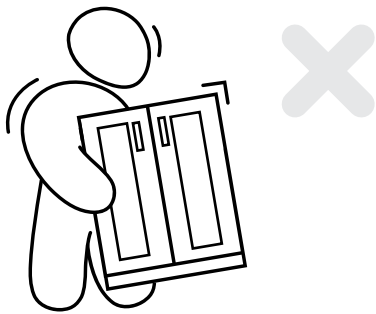
42" Countertop. Fits over 2 Cabinets



63" Countertop. Fits over 3 Cabinet



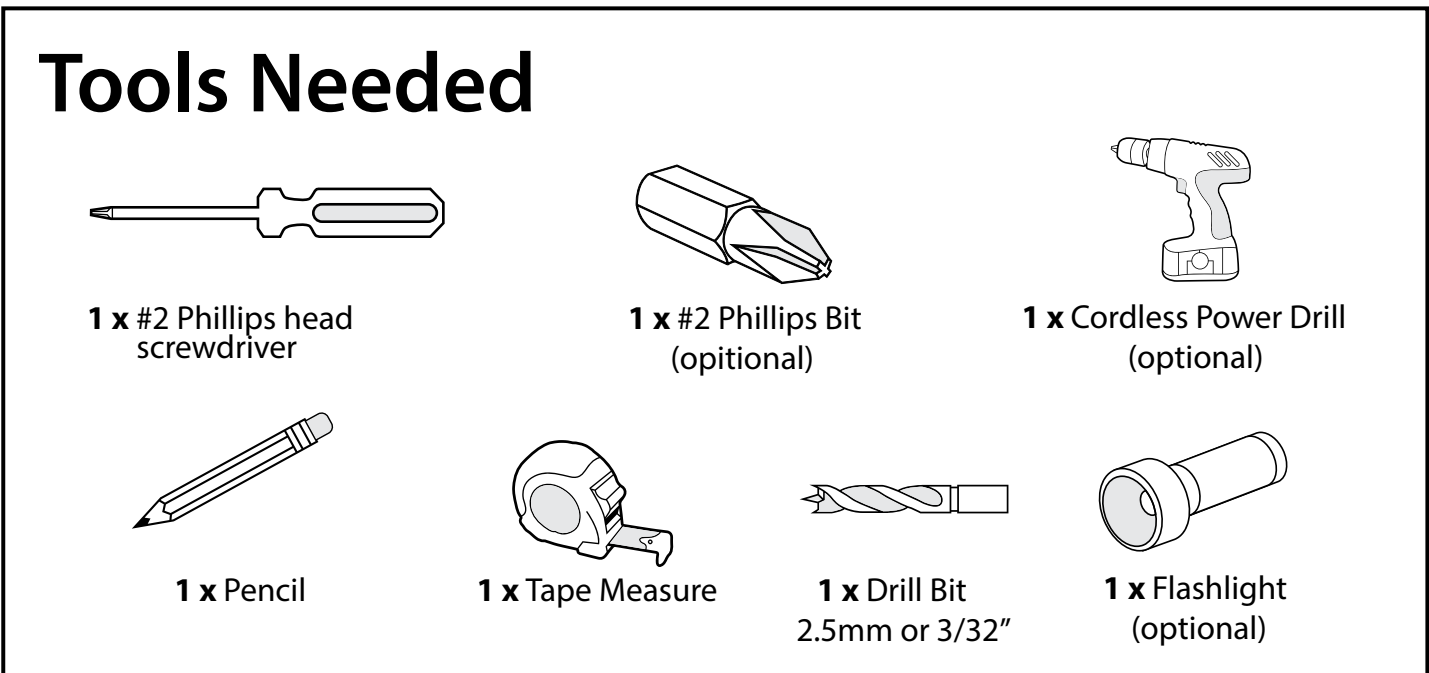
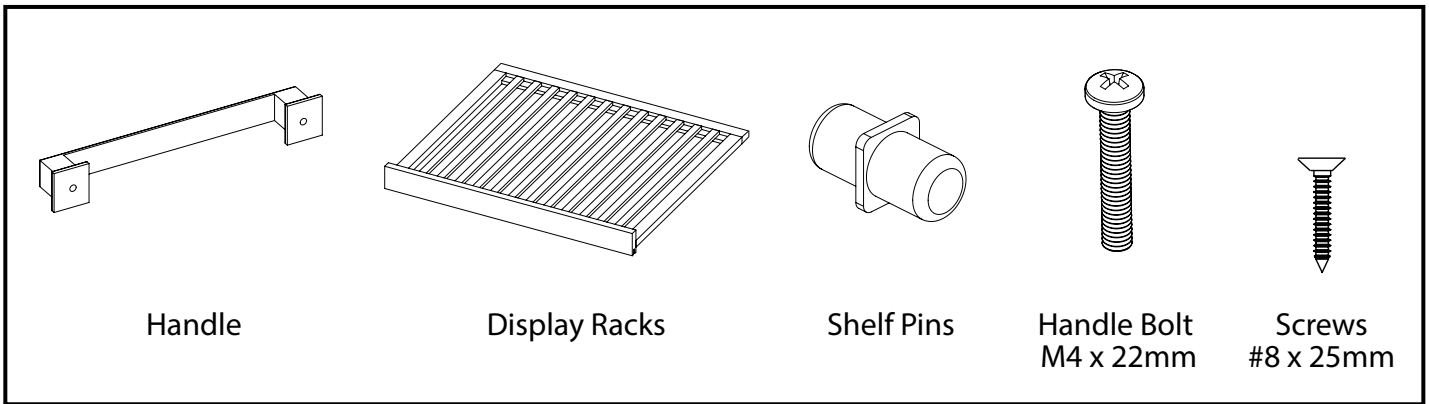
84" Countertop. Covers over 4 Cabinet



Unpacking

- Begin by placing the package on a covered flat surface.
- Remove all cardboard, foam packaging material and clear plastic bags.
- Dispose / recycle all packaging materials.
- Verify all the contents in the box and gather the required tools. See "Parts" and "Tools Needed" in the list below.

Parts Supplied	Bottle Display Cabinet
Handles	2
Handle Bolts (M4 x 22mm)	4
Adjustable Display Racks	3
Shelf Pins	14
#8 x 25mm Screws	6

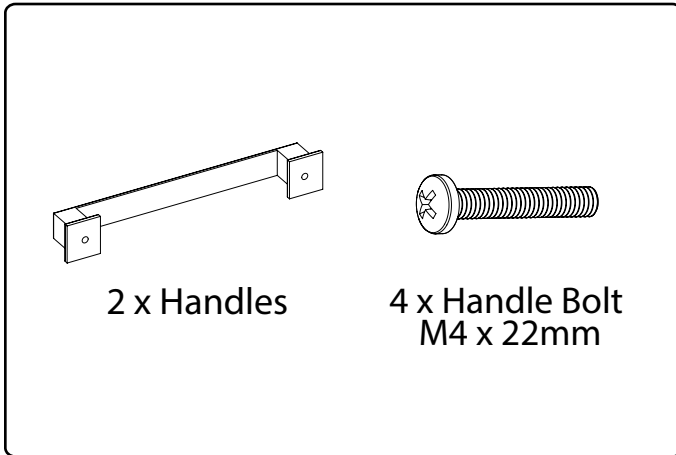


Installing the Handles

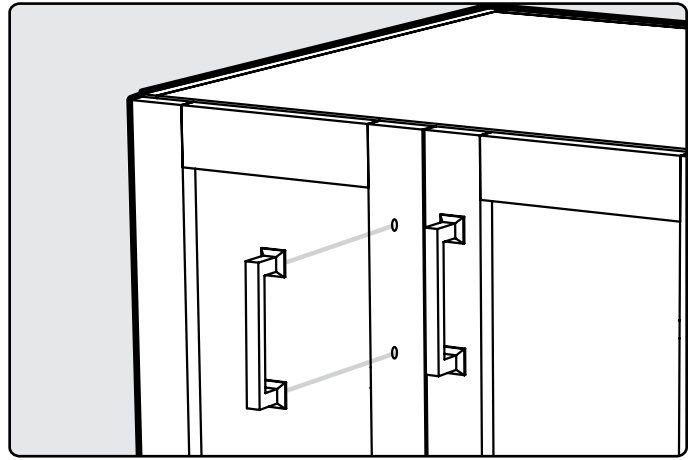
Note:

Cabinets come with handles installed on inside of drawers/doors.

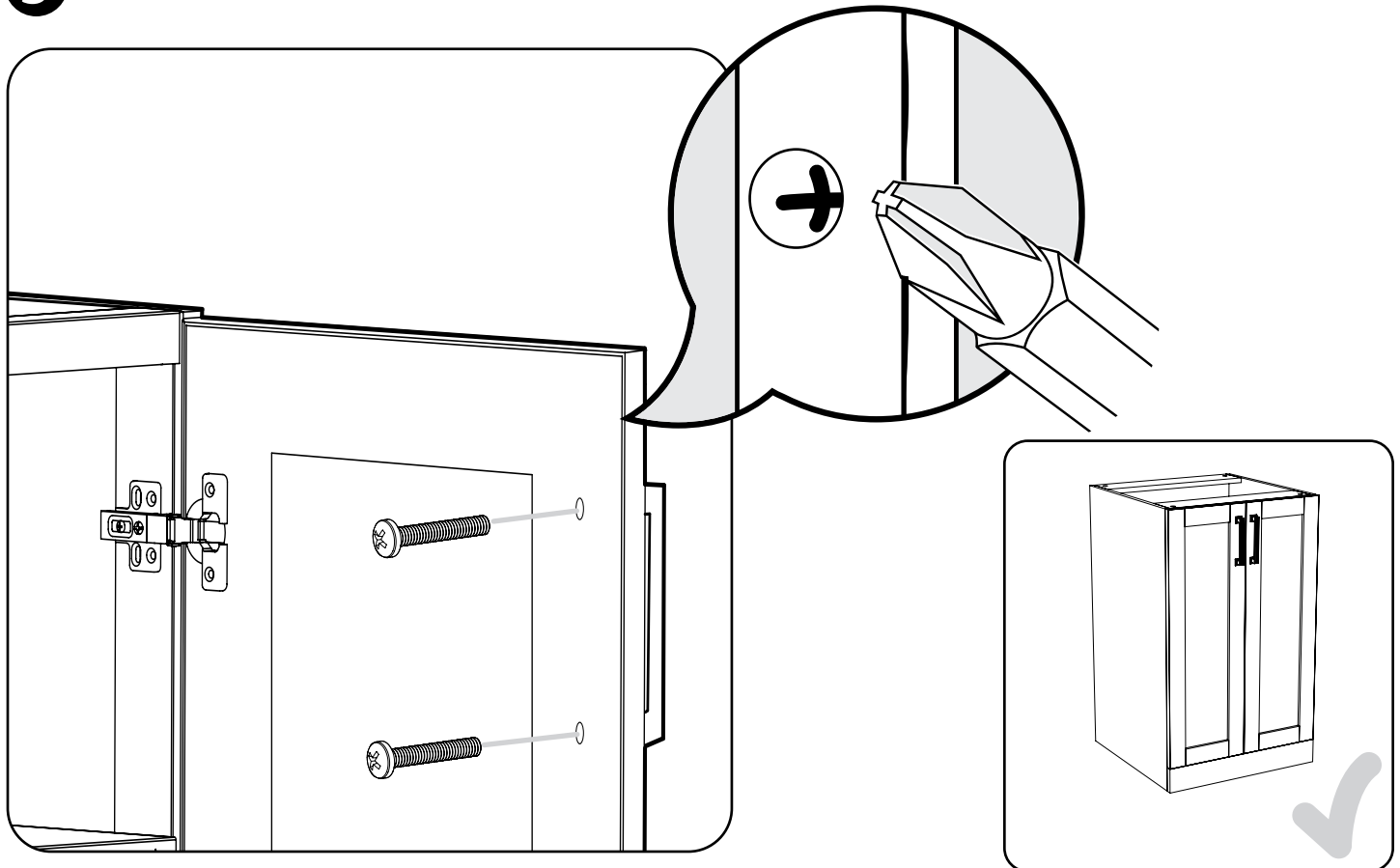
1 Parts Needed.



2 Align handle to holes on doors or drawers.



3 Screw in bolts.

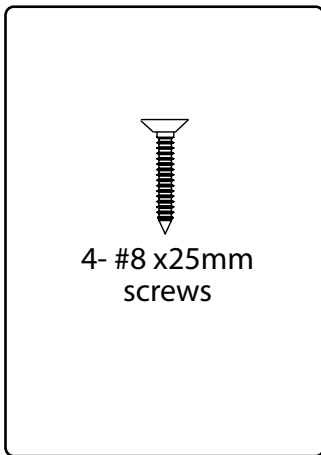


Fastening Cabinets

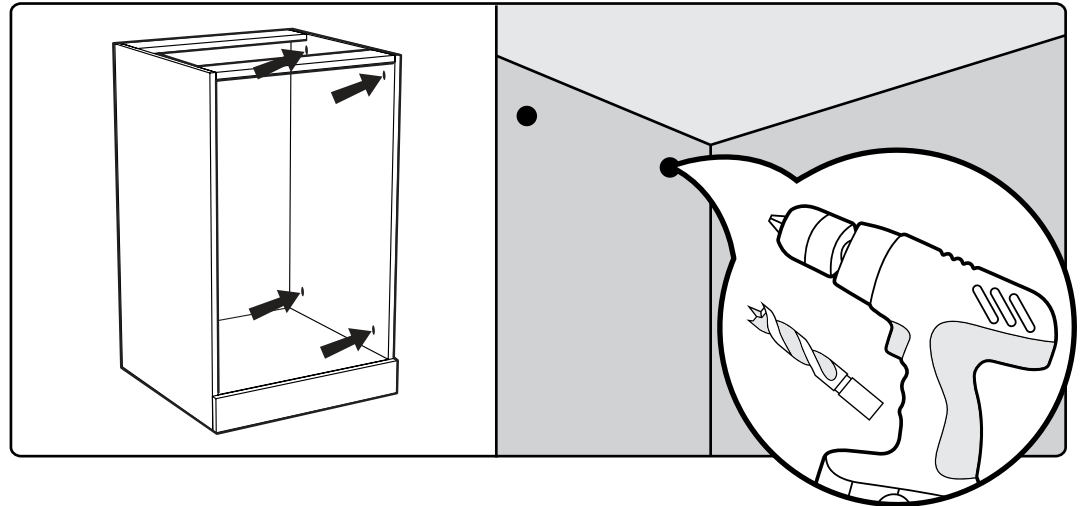
Note:

All shelves must be removed prior to fastening cabinets together.

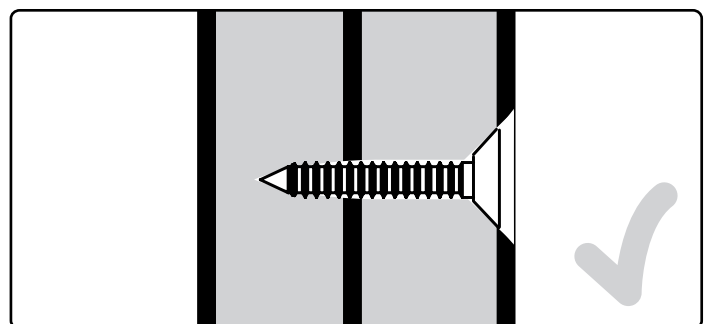
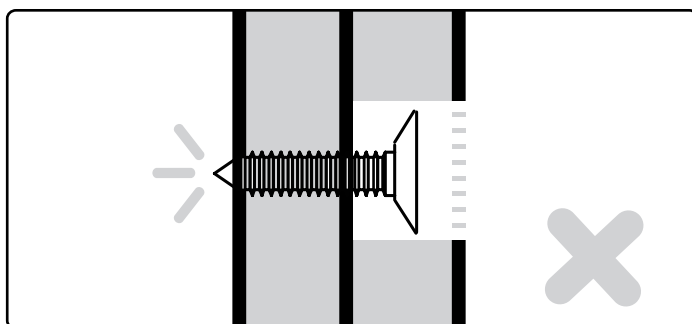
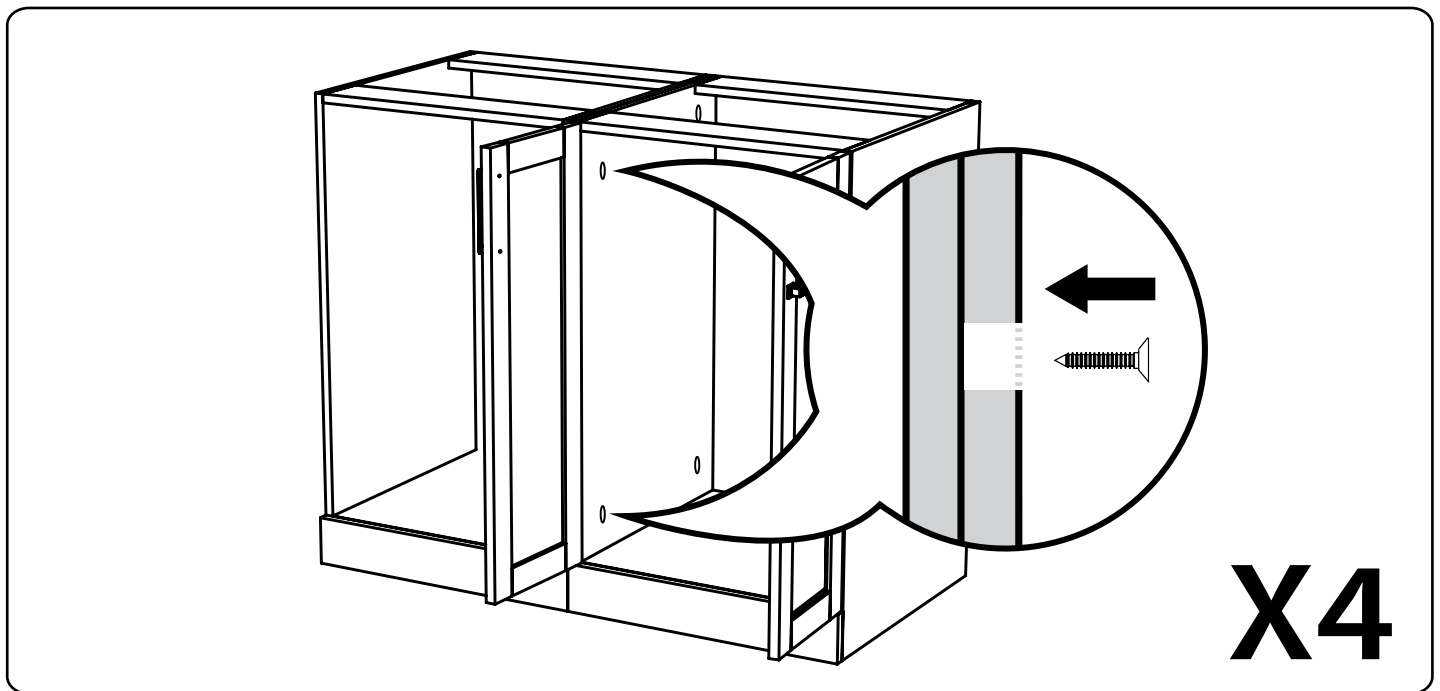
4 Parts Needed.



5 Drill 3/32" pilot holes on interior wall of cabinet being fastened.

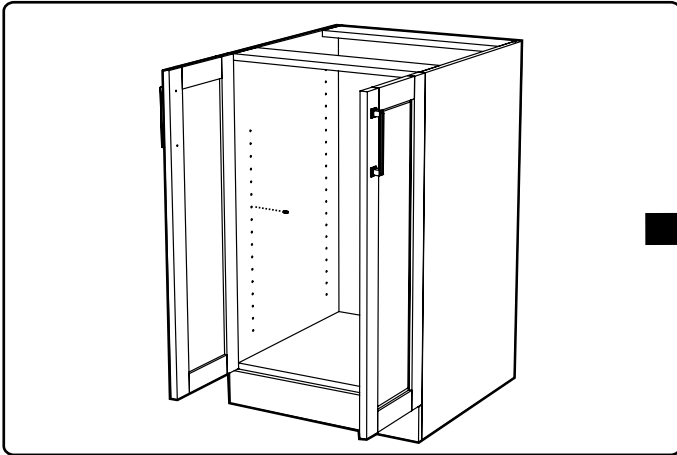


6 Using pilot hole as guides, screw into second cabinet. Do not over-tighten screws and punch through other side!

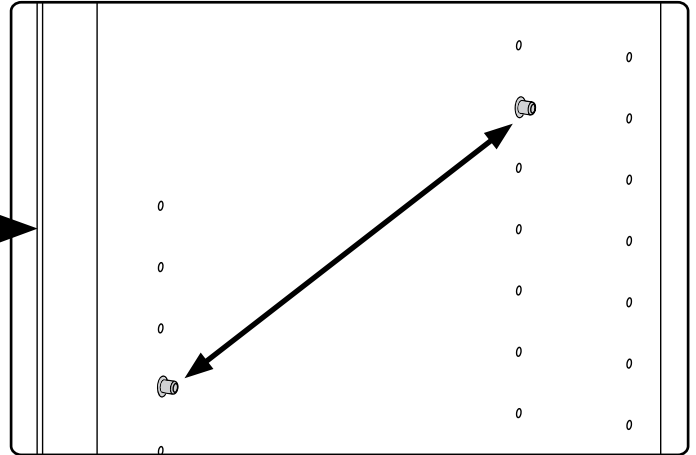


Inserting Cabinets Shelves on an angle

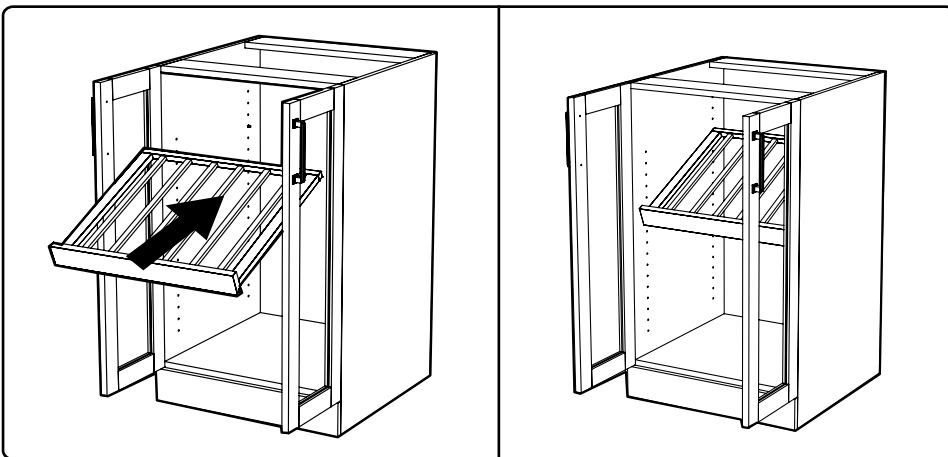
11 Open cabinet doors. Attach shelf clips to desired height.



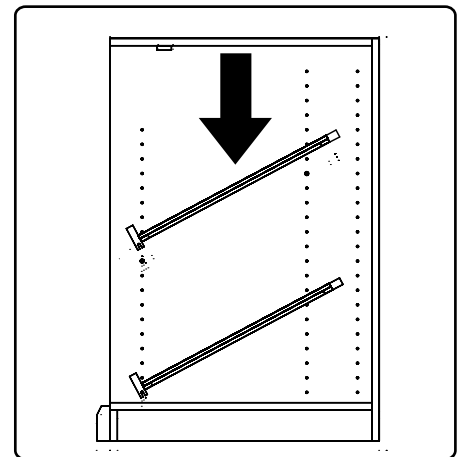
12 The shelf supports are inserted into front and middle hole positions.



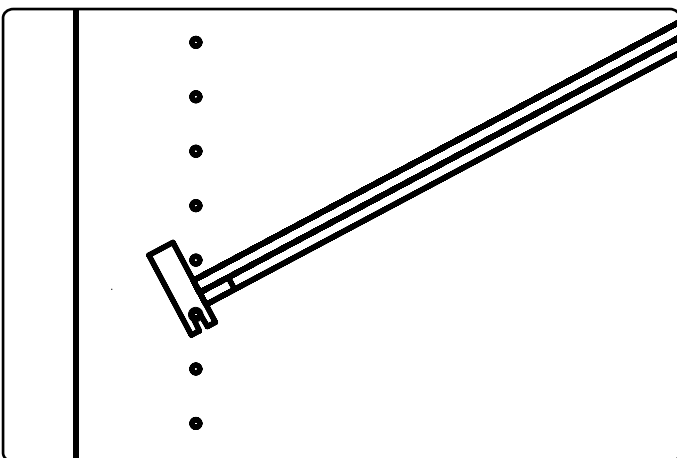
13 Insert rack at a slight angle and position over shelf supports.



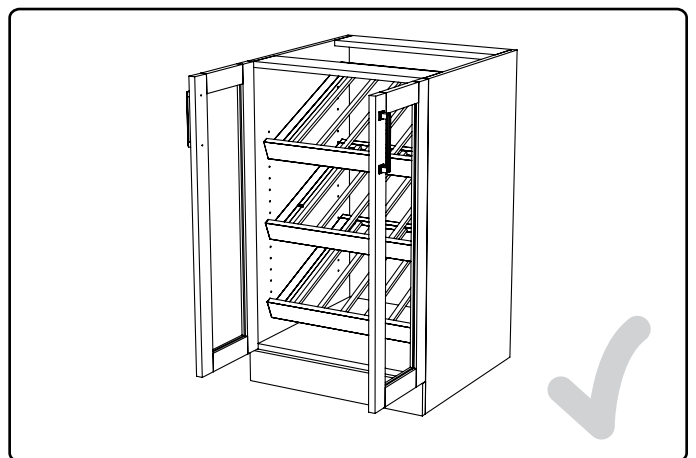
14 Lower shelf down onto shelf supports.



15 Ensure shelf supports sits in groove on lower edge of rack.

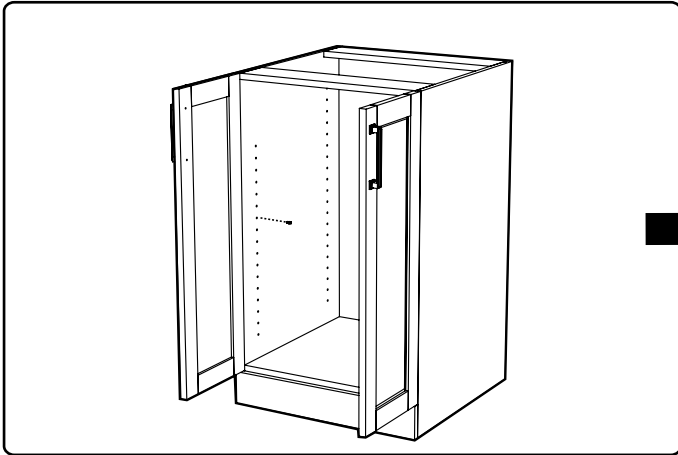


16 Insert remaining shelves.

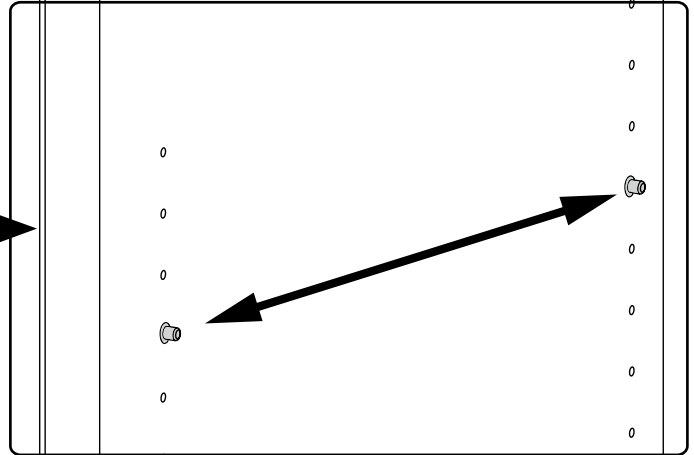


Inserting Cabinets Shelves Horizontal

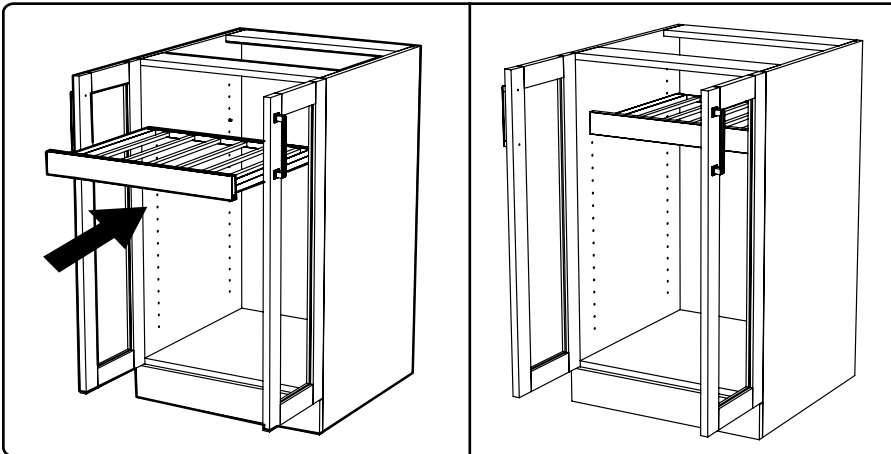
17 Open cabinet doors. Attach shelf clips to desired height.



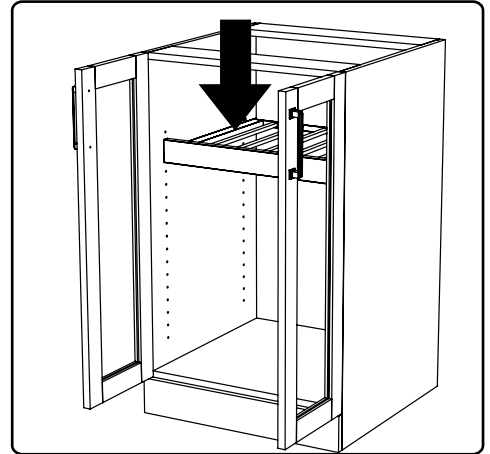
18 The shelf supports are inserted into front and back holes.



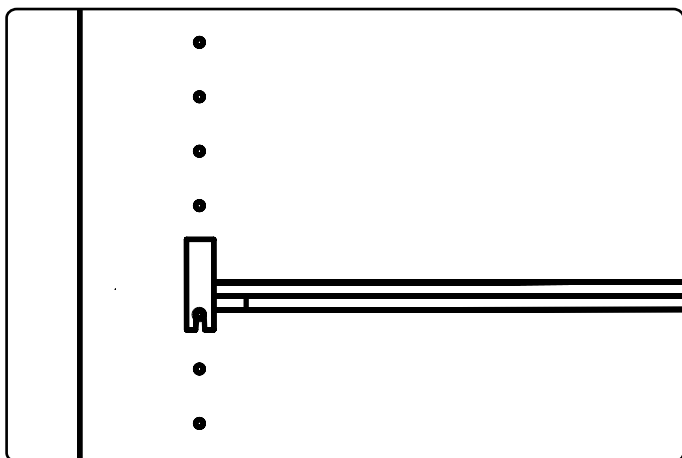
19 Insert rack at a slight angle and position over shelf supports.



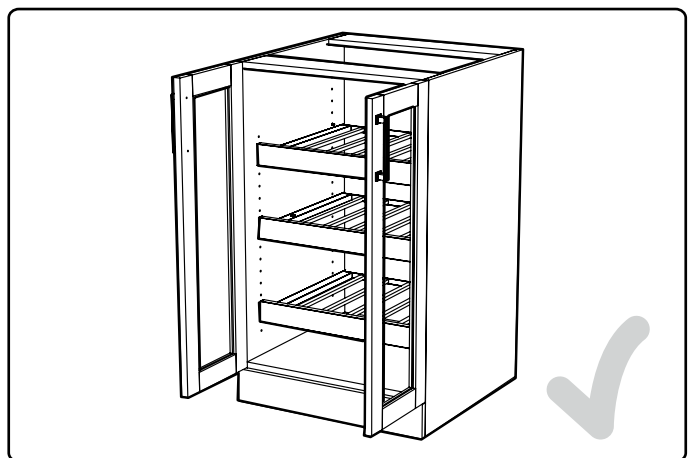
20 Lower shelf down onto shelf supports.

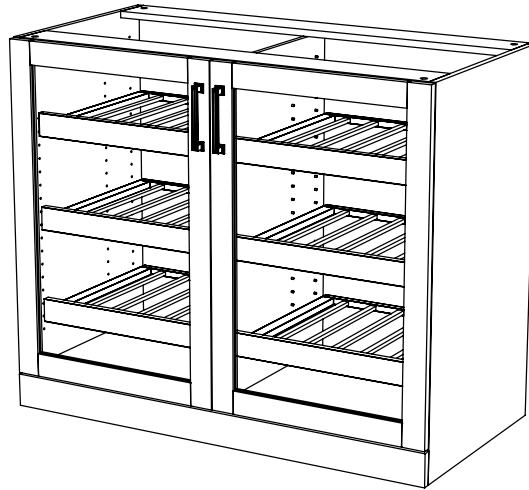


21 Lower shelf down onto shelf supports.



22 Insert remaining shelves.





HOME BAR SERIES

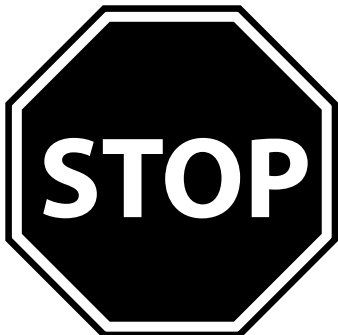
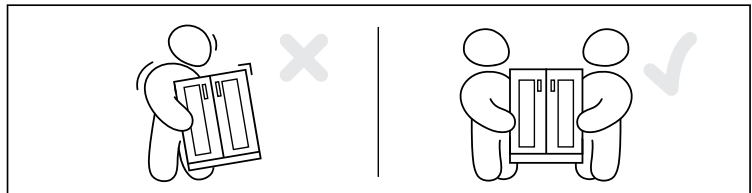
42in. DISPLAY CABINET

Warning: Excessive weight hazard!



Use two or more people to move, assemble, or install cabinets to avoid back injury. Do not leave children unattended near cabinets. High risk of tipping if cabinets are installed incorrectly: securely attach cabinets to the wall to avoid serious injury.

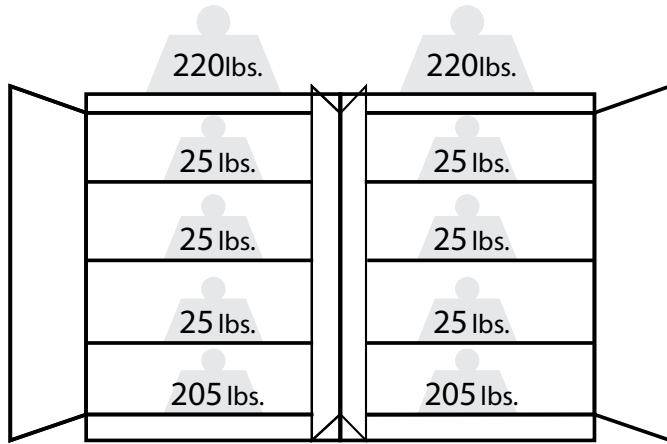
For assistance, call 1.877.306.8930; for U.K 0800.031.4069; e-mail at info@newageproducts.com.



ATTENTION: Is your cabinet damaged?

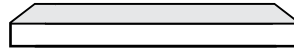
Need help or spare parts? For fastest service, contact NewAge Products at 1-877-306-8930; or support@newageproducts.com. Do not return to the retailer.

Weight Capacity



Bottle Display
Base Cabinet
Max 500lbs.

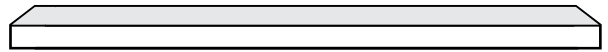
Countertops



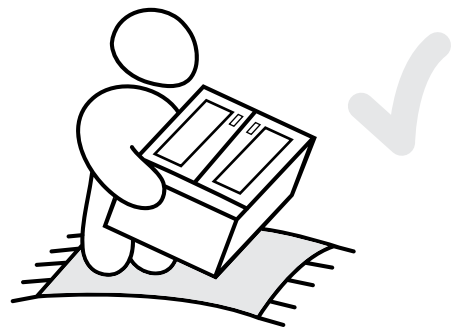
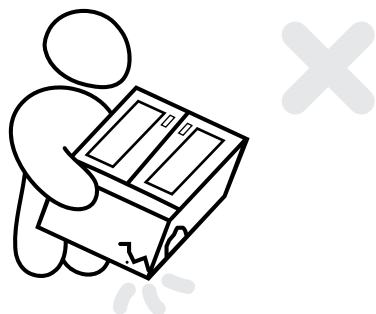
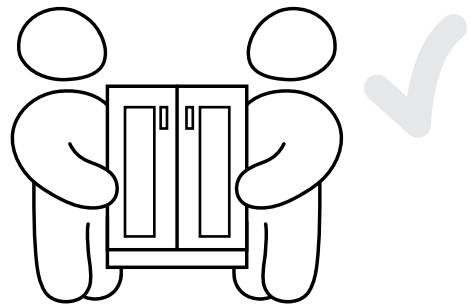
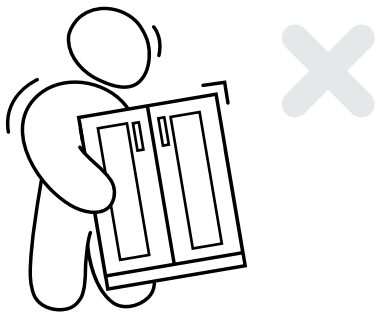
42" Countertop. Fits over 2 Cabinets



63" Countertop. Fits over 3 Cabinet



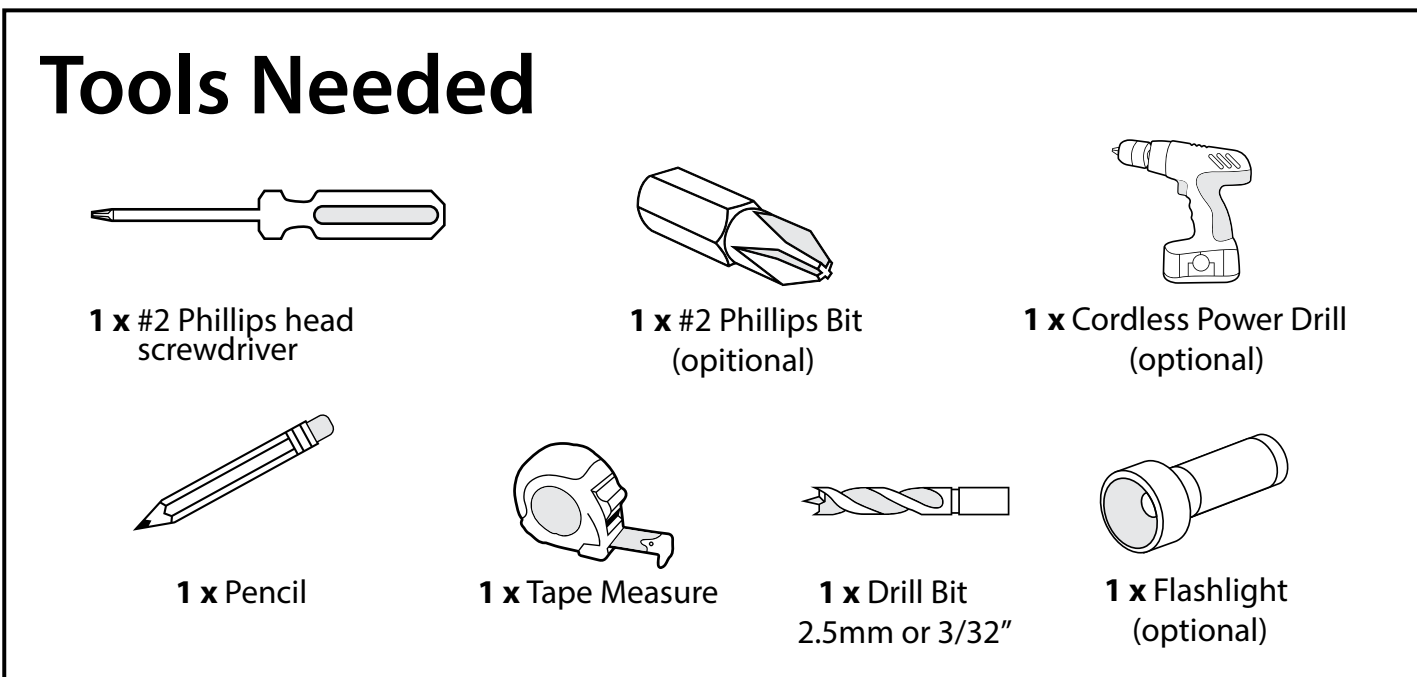
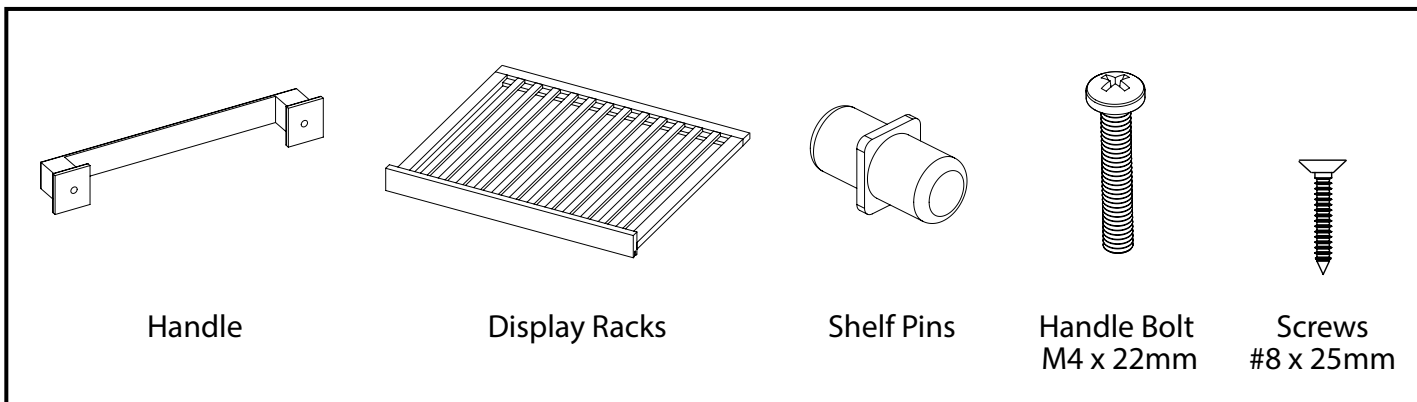
84" Countertop. Covers over 4 Cabinet



Unpacking

- Begin by placing the package on a covered flat surface.
- Remove all cardboard, foam packaging material and clear plastic bags.
- Dispose / recycle all packaging materials.
- Verify all the contents in the box and gather the required tools. See "Parts" and "Tools Needed" in the list below.

Parts Supplied	Bottle Double Display Cabinet
Handles	2
Handle Bolts (M4 x 22mm)	4
Adjustable Display Racks	6
Shelf Pins	28
#8 x 25mm Screws	12

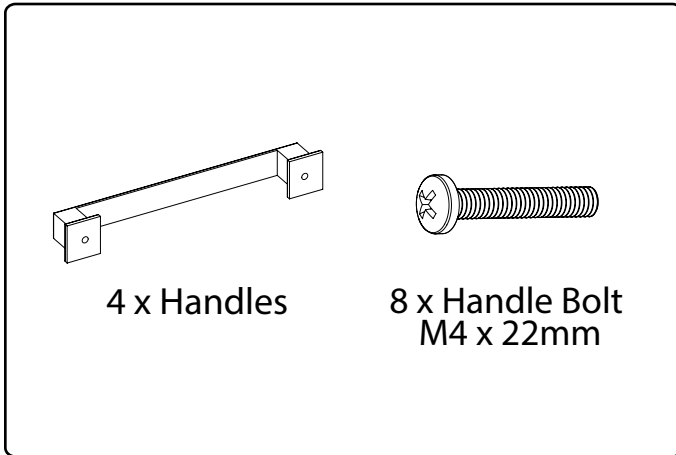


Installing the Handles

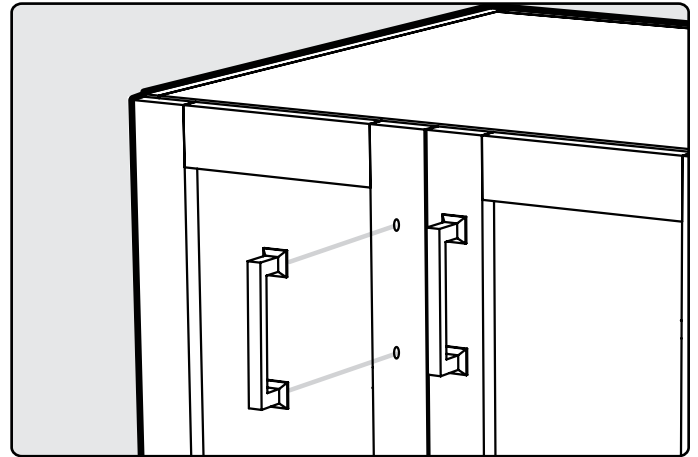
Note:

Cabinets come with handles installed on inside of drawers/doors.

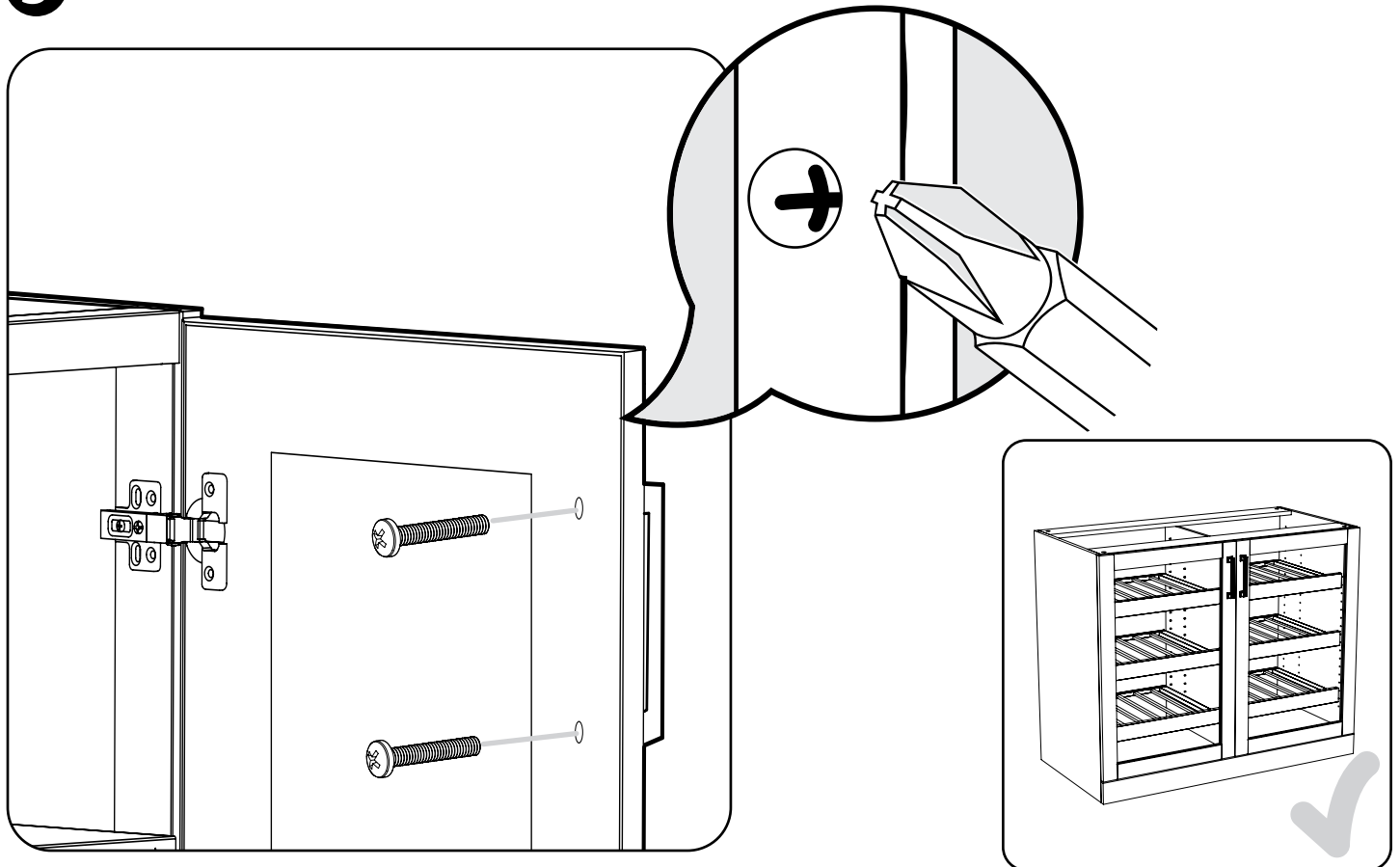
1 Parts Needed.



2 Align handle to holes on doors or drawers.



3 Screw in bolts.

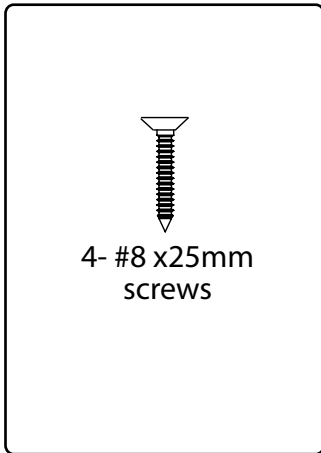


Fastening Cabinets

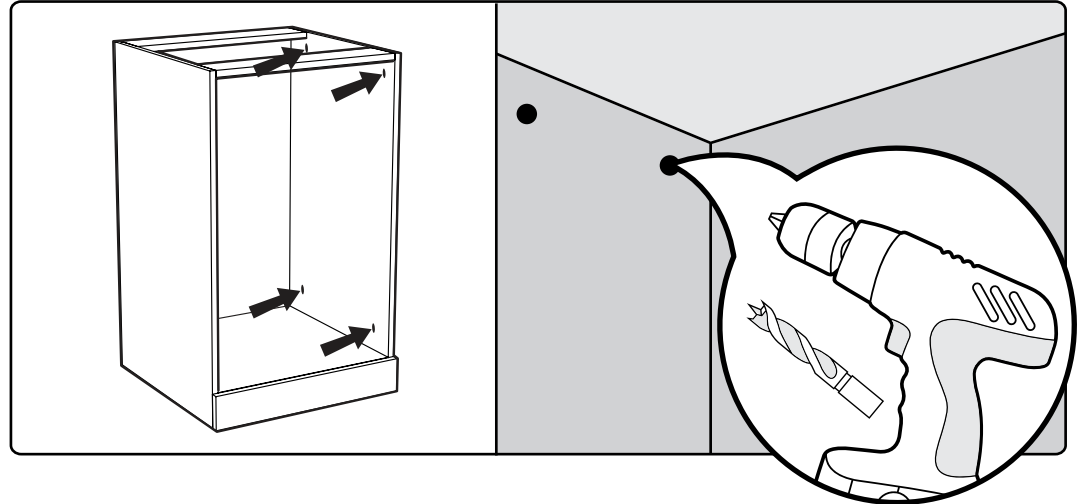
Note:

All shelves must be removed prior to fastening cabinets together.

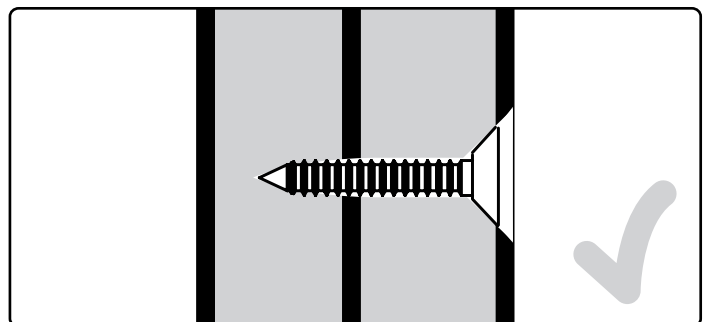
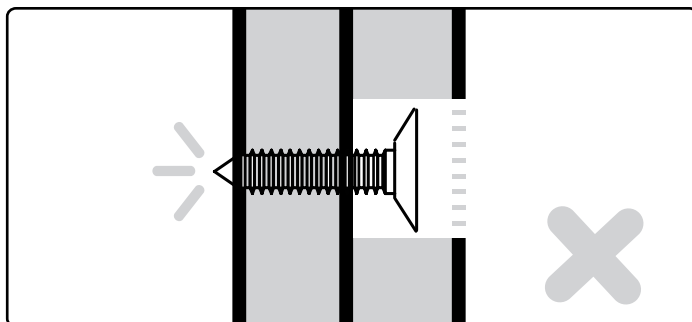
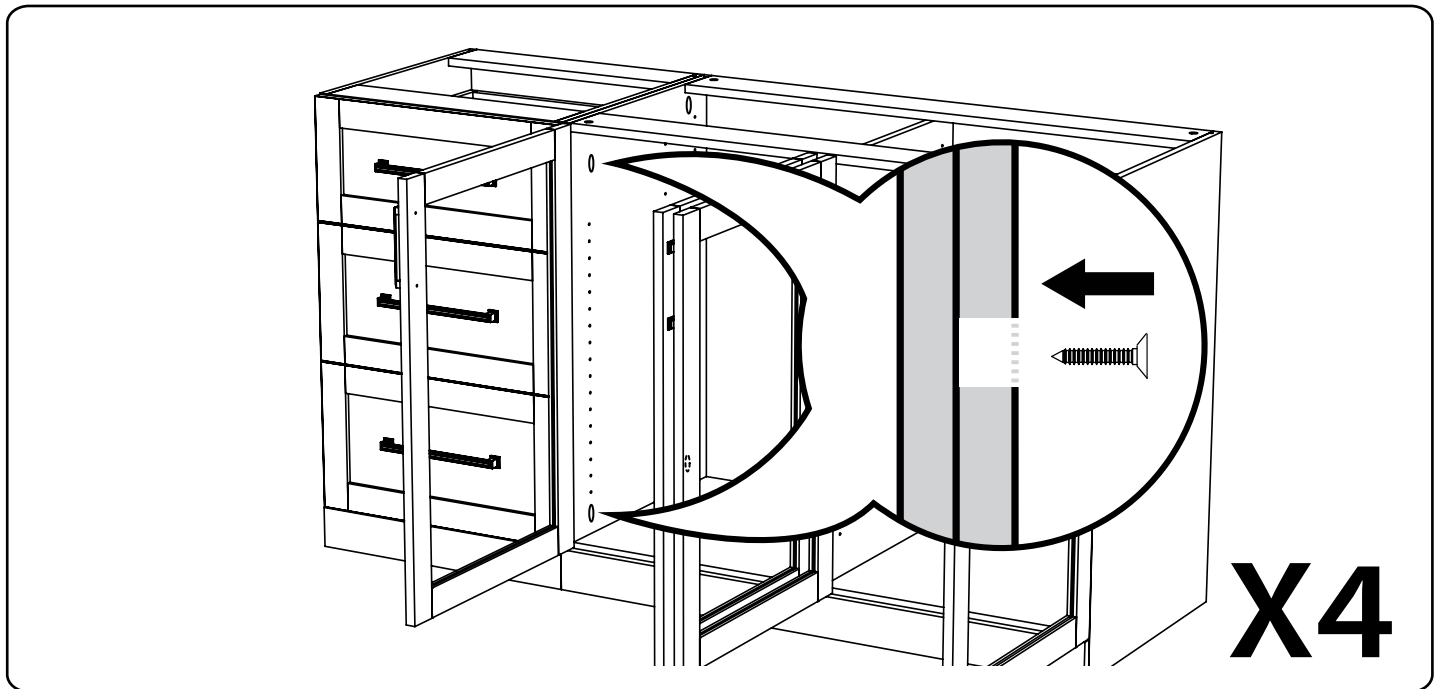
4 Parts Needed.



5 Drill 3/32" pilot holes on interior wall of cabinet being fastened.

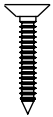


6 Using pilot hole as guides, screw into second cabinet. Do not over-tighten screws and punch through other side!



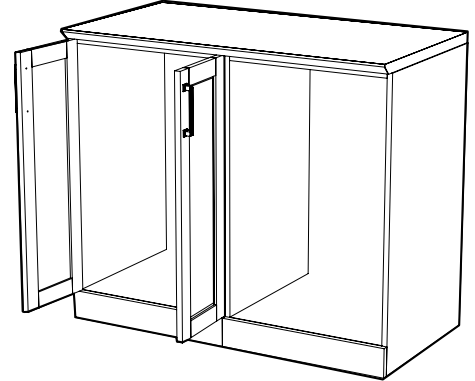
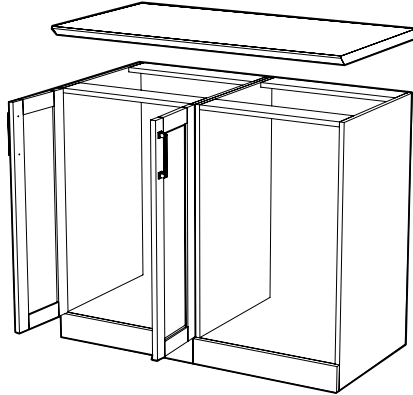
Mounting the Worktop

7 Parts Needed.

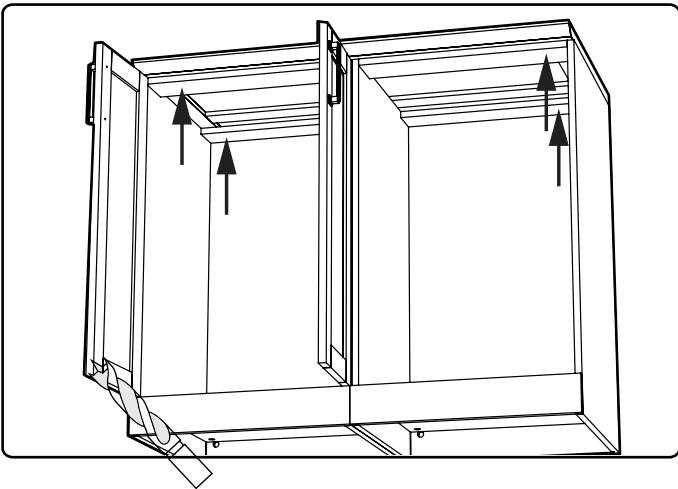


4- #8 x25mm screws

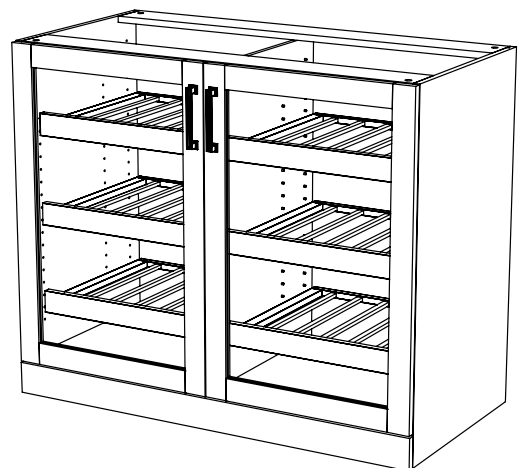
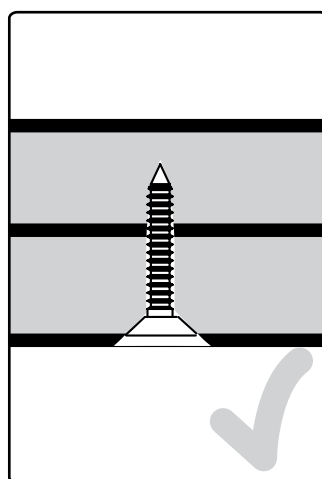
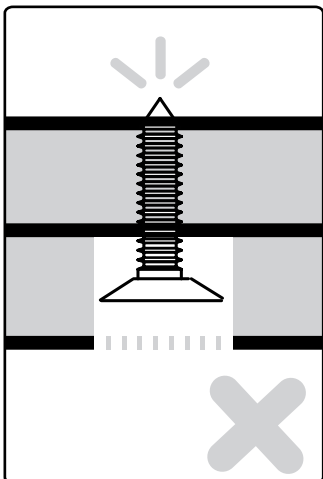
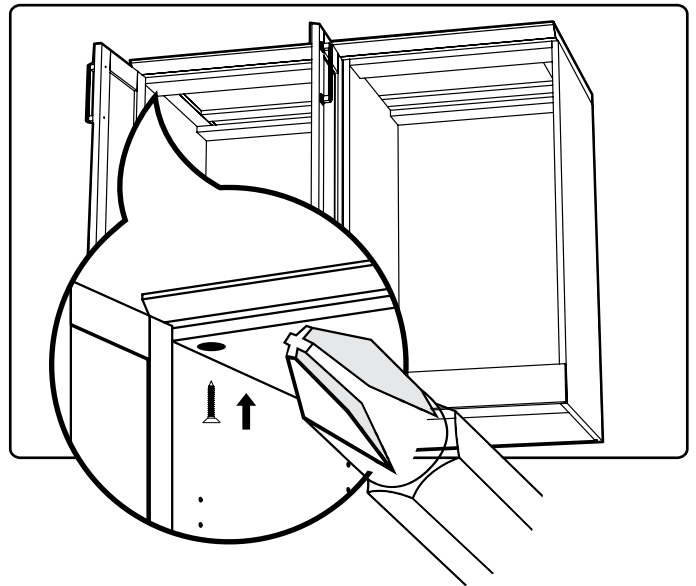
8 Place worktop over cabinets and lower onto cabinets.



9 Drill 3/32" pilot holes on interior roof of cabinet.

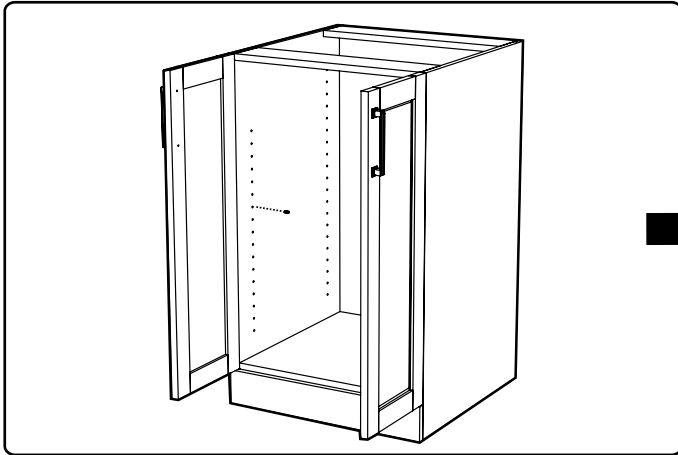


10 Tighten screws to secure cabinets.

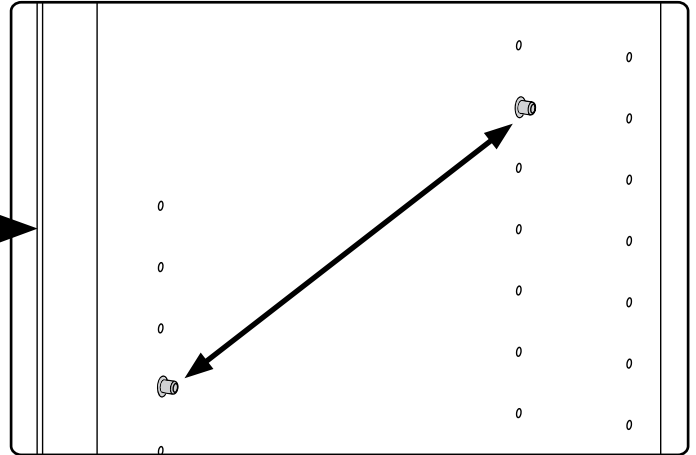


Inserting Cabinets Shelves on an angle

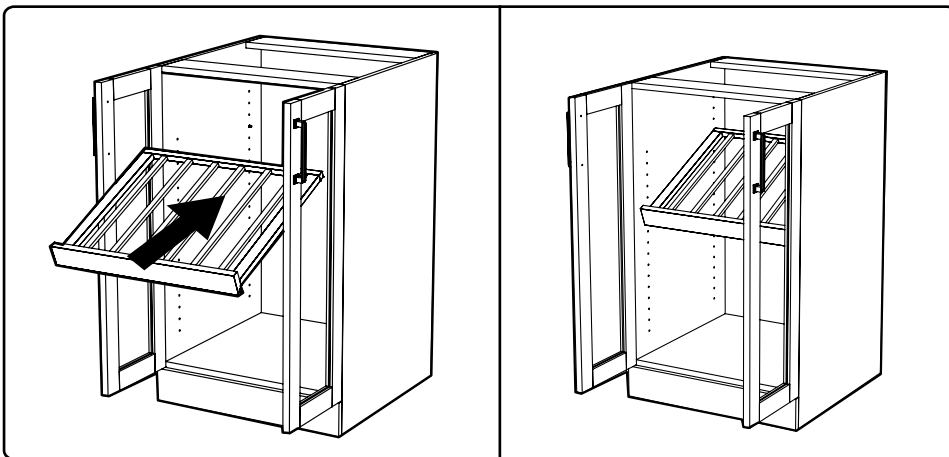
11 Open cabinet doors. Attach shelf clips to desired height.



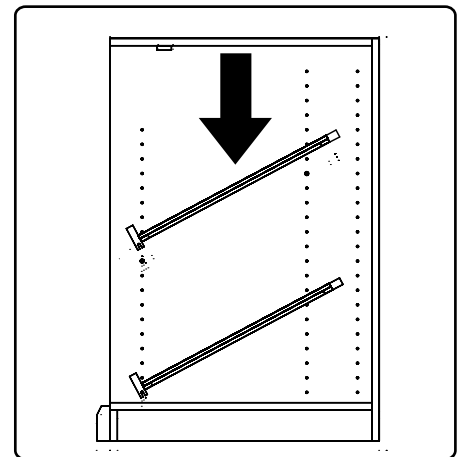
12 The shelf supports are inserted into front and middle hole positions.



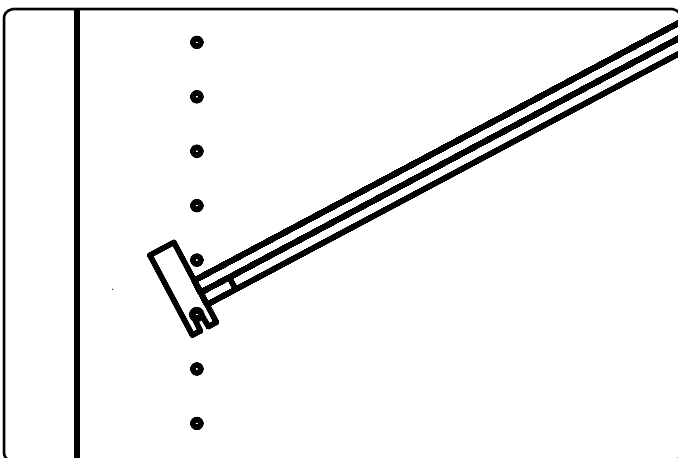
13 Insert rack at a slight angle and position over shelf supports.



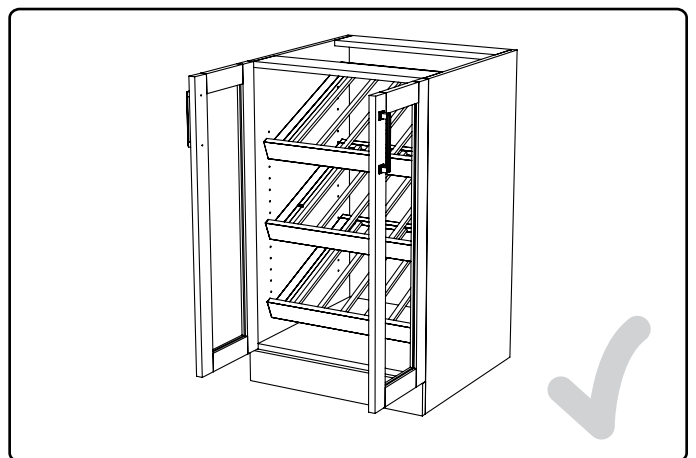
14 Lower shelf down onto shelf supports.



15 Ensure shelf supports sits in groove on lower edge of rack.

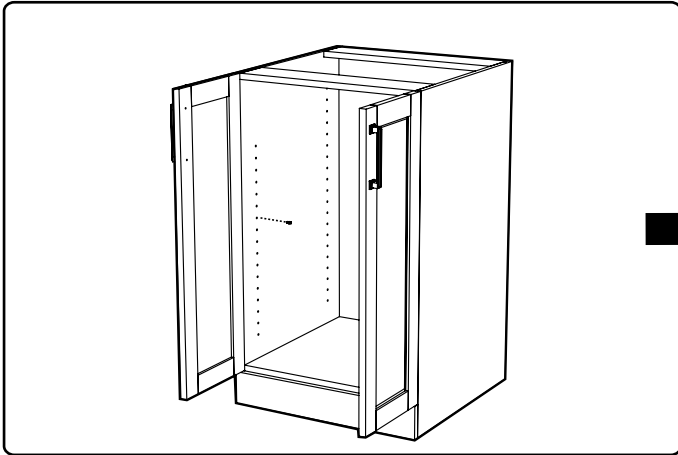


16 Insert remaining shelves.

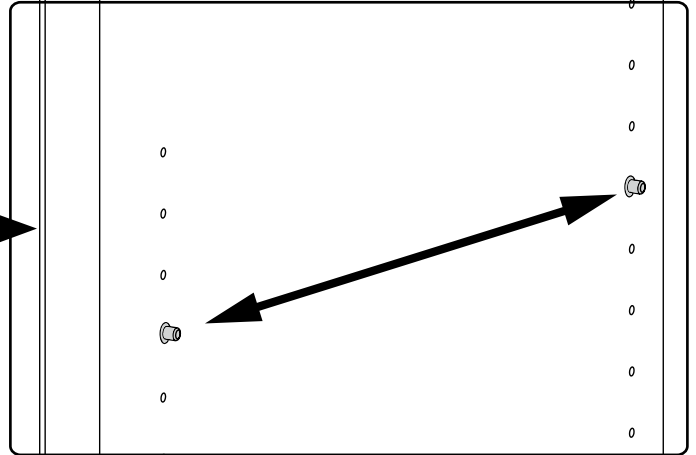


Inserting Cabinets Shelves Horizontal

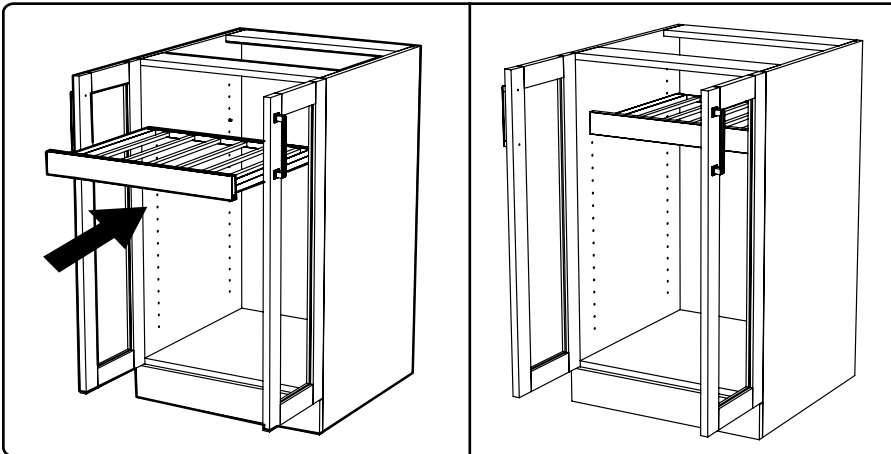
17 Open cabinet doors. Attach shelf clips to desired height.



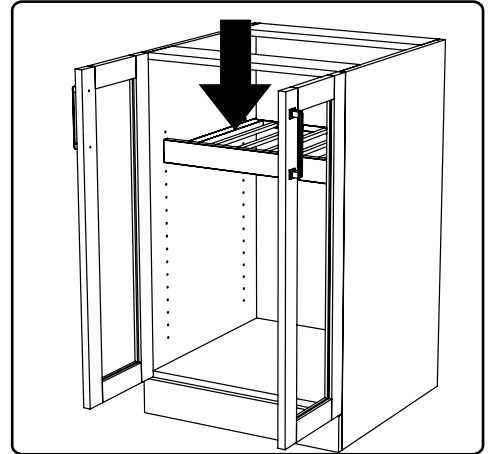
18 The shelf supports are inserted into front and back holes.



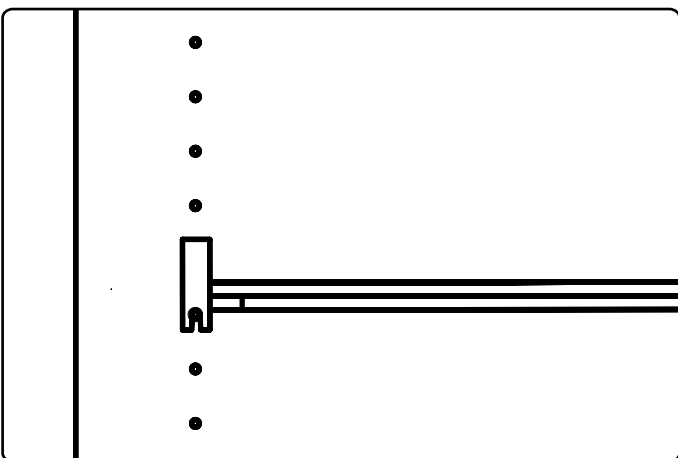
19 Insert rack at a slight angle and position over shelf supports.



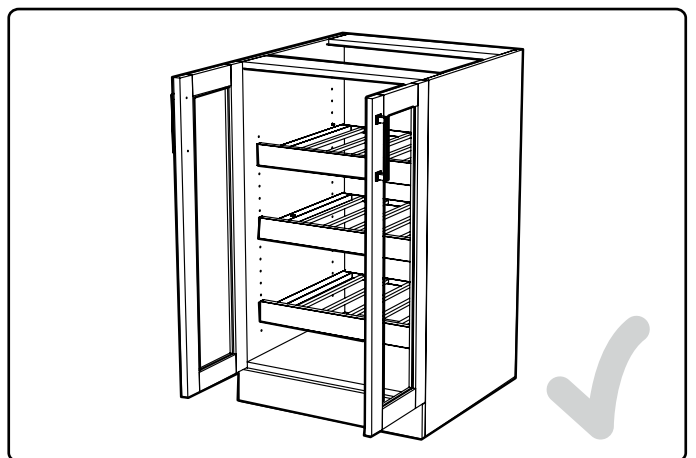
20 Lower shelf down onto shelf supports.

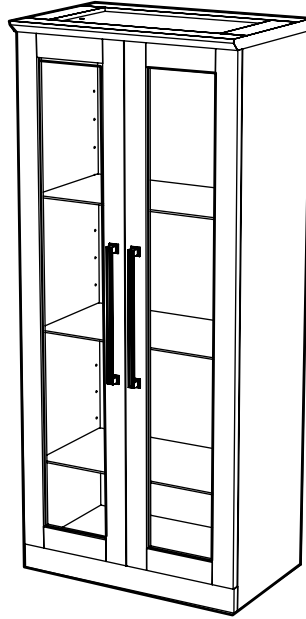


21 Lower shelf down onto shelf supports.



22 Insert remaining shelves.





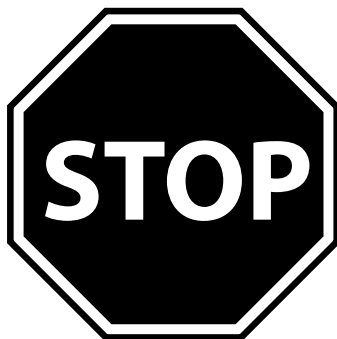
HOME BAR SERIES

21in. TALL WALL DISPLAY



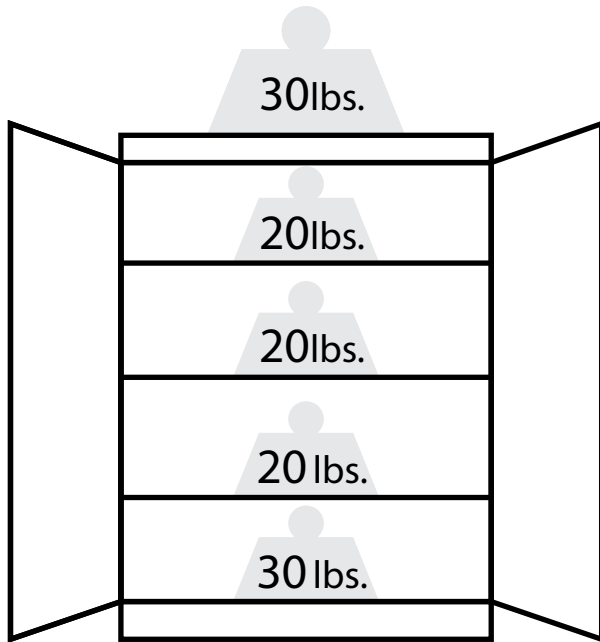
Warning: Excessive weight hazard!

Use two or more people to move, assemble, or install cabinets to avoid back injury. Do not leave children unattended near cabinets. High risk of tipping if cabinets are installed incorrectly: securely attach cabinets to the wall to avoid serious injury. For assistance, call 1.877.306.8930; for U.K 0800.031.4069; e-mail at info@newageproducts.com.



ATTENTION: Is your cabinet damaged? Need help or spare parts? For fastest service, contact NewAge Products at 1-877-306-8930; or support@newageproducts.com. Do not return to the retailer.

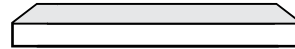
Weight Capacity



Tall Display Cabinet
Max 120 lbs.

Countertops

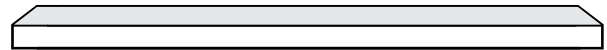
(for Base cabinets only.)



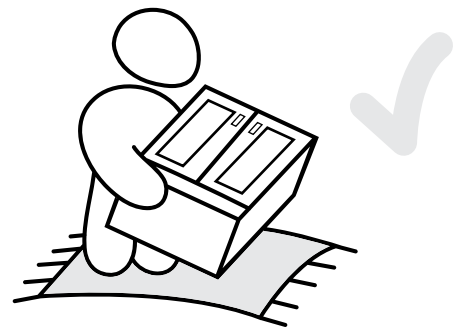
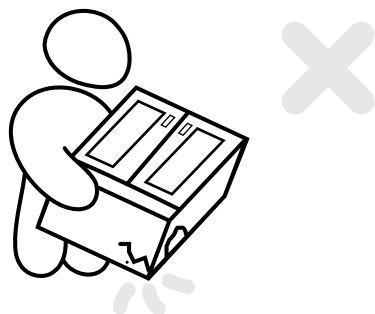
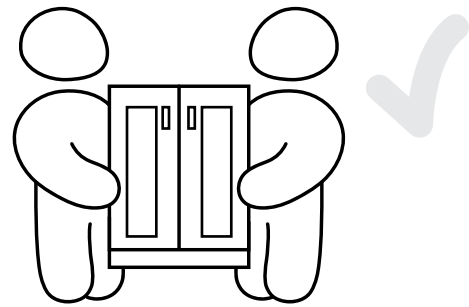
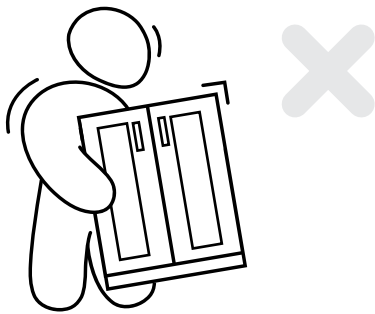
42" Countertop. Fits over 2 Cabinets



63" Countertop. Fits over 3 Cabinets



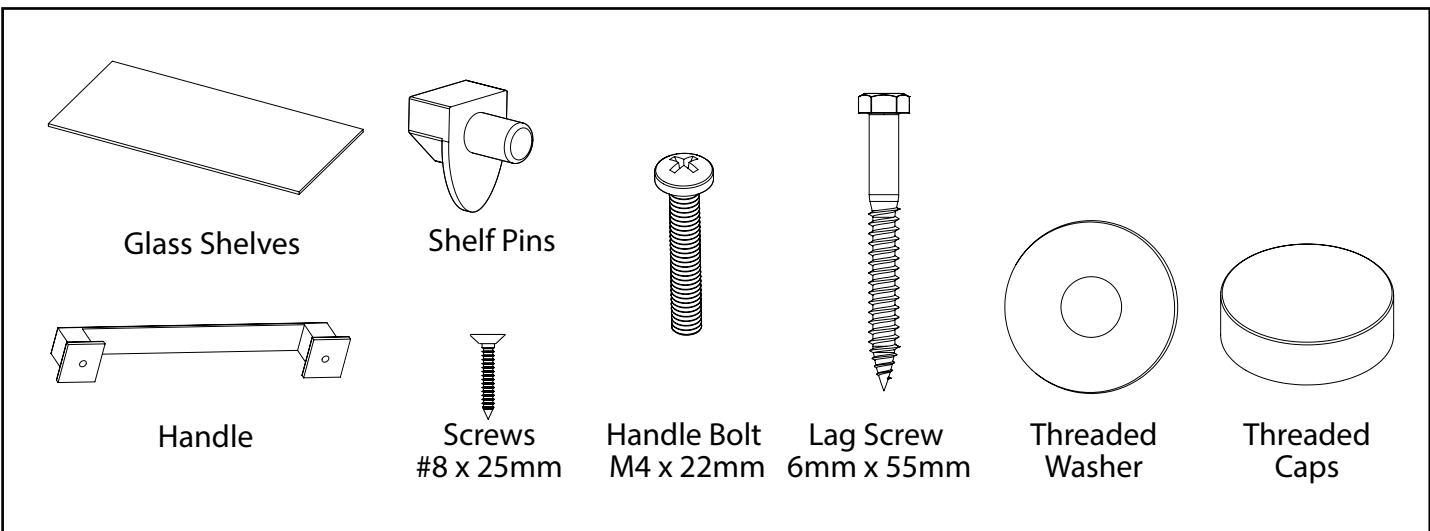
84" Countertop. Fits over 4 Cabinets



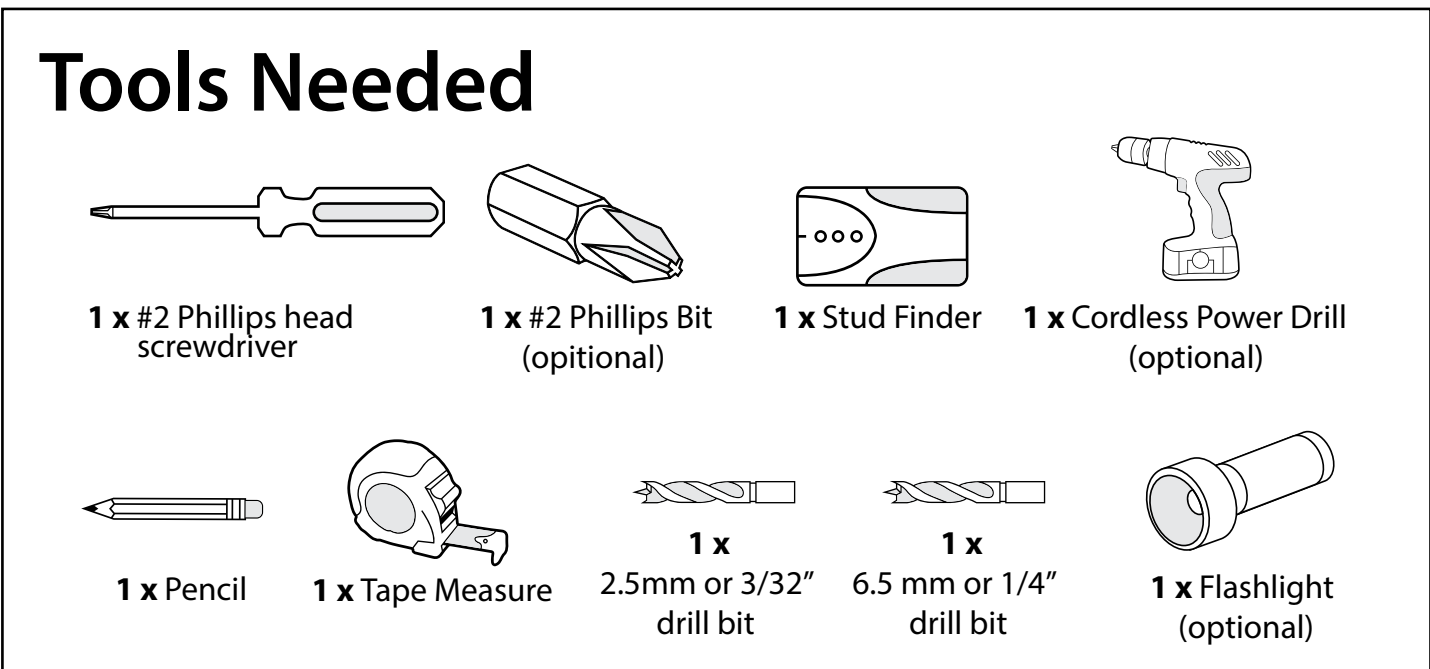
Unpacking

- Begin by placing the package on a covered flat surface.
- Remove all cardboard, foam packaging material and clear plastic bags.
- Dispose / recycle all packaging materials.
- Verify all the contents in the box and gather the required tools.
- See "Parts" and "Tools Needed" in the list below.

Parts Supplied	Tall Wall Display Cabinet
Threaded Caps	4
Threaded Washer	4
Handles	2
Handle Bolts (M4 x 22mm)	4
#8 x 25mm Screws	4
Lag Screw (6 mm x 55 mm)	4
Glass Shelves	3
Shelf Pins	14



Tools Needed

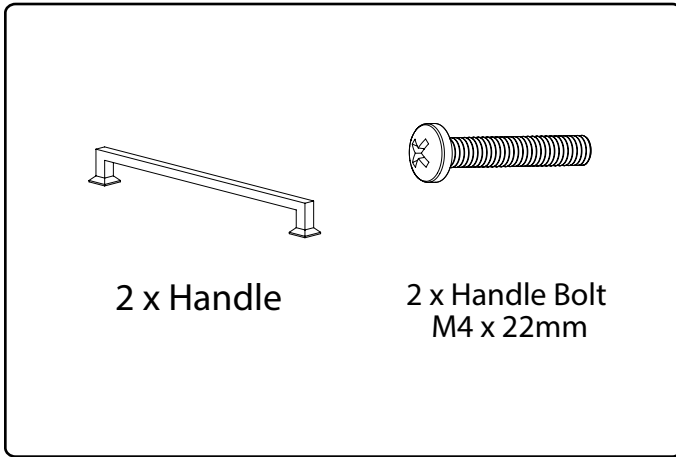


Installing the Handles

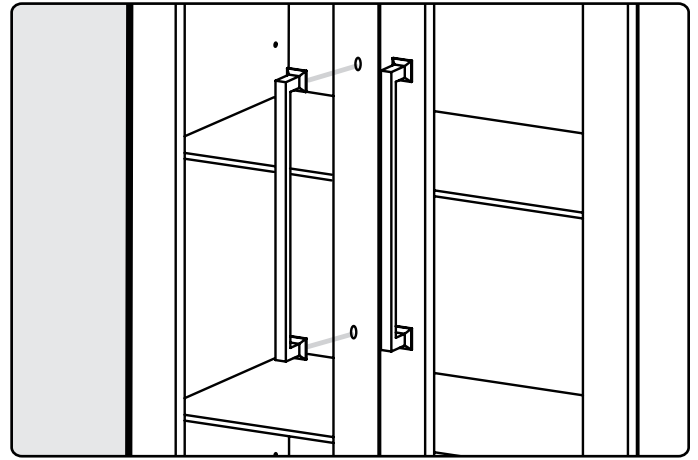
Note:

Cabinets come with handles installed on inside of drawers/doors.

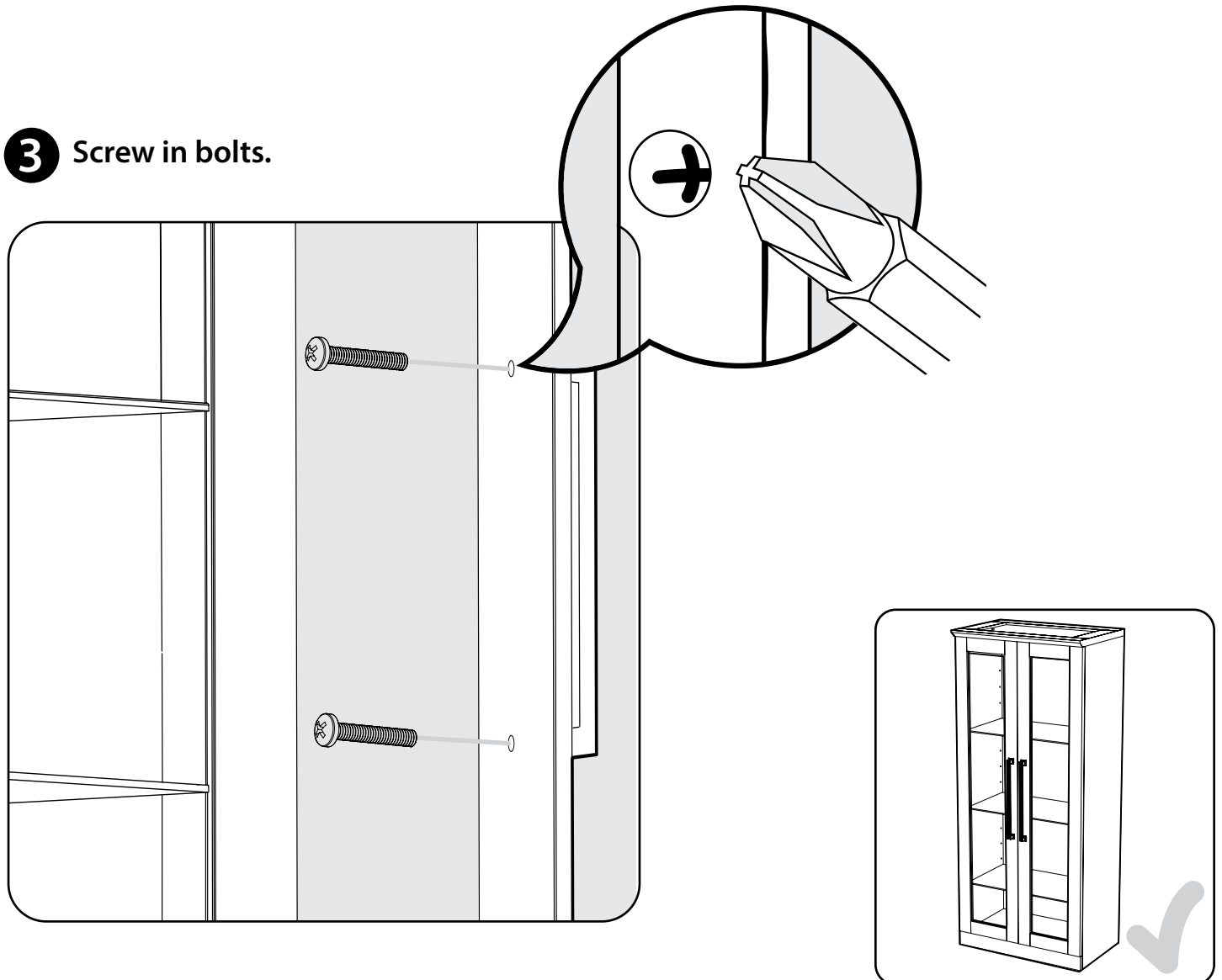
1 Parts Needed.



2 Align handle to holes on doors or drawers.

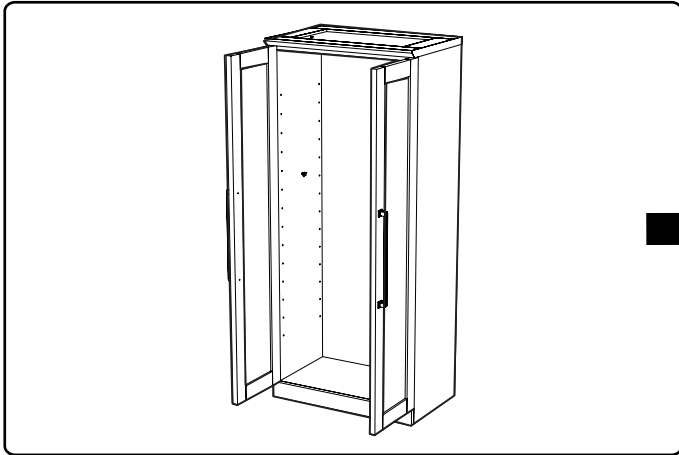


3 Screw in bolts.

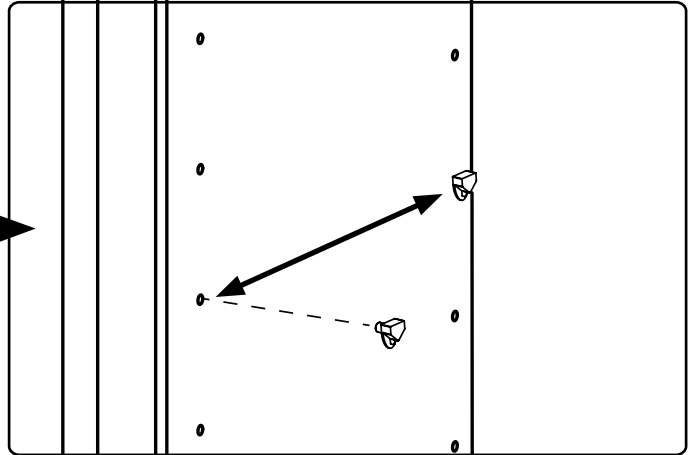


Inserting Glass Shelves

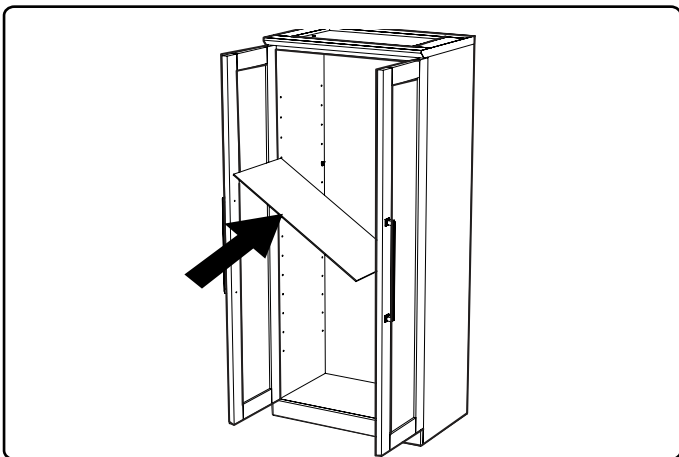
1 Open cabinet doors. Attach shelf clips to desired height.



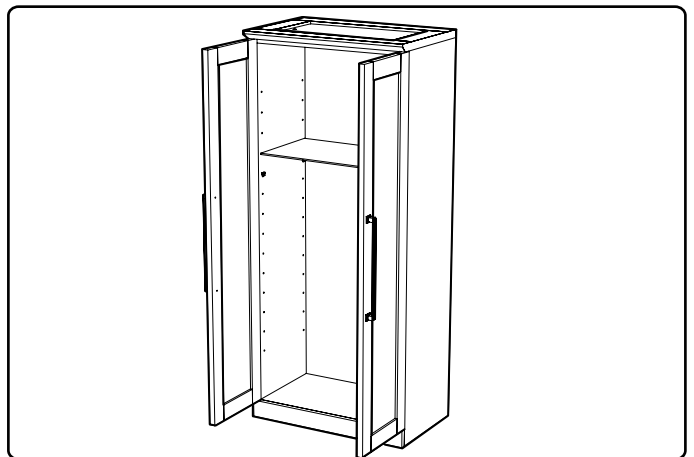
2 Ensure clips are at level height.



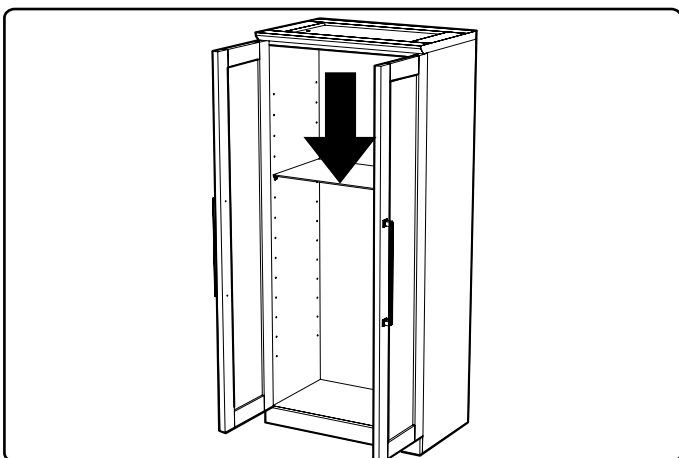
3 Insert glass shelf at a slight angle.



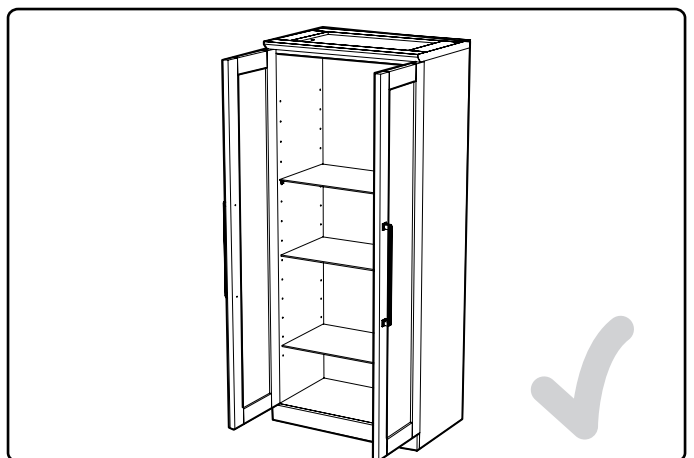
4 Position over shelf supports.



5 Lower shelf down onto shelf supports.

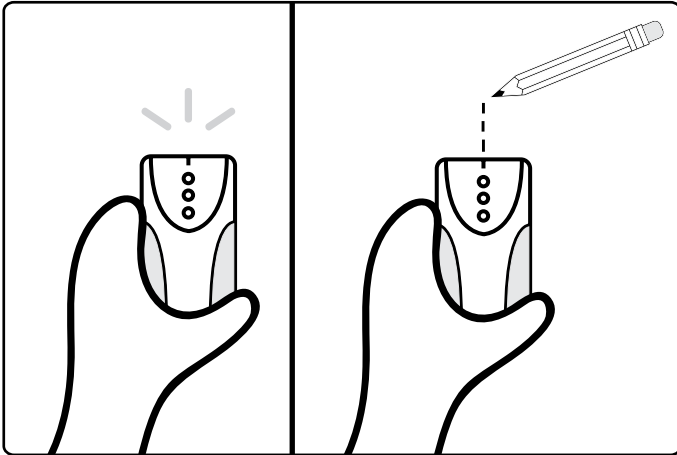


6 Repeat steps 1-4 for all shelves.

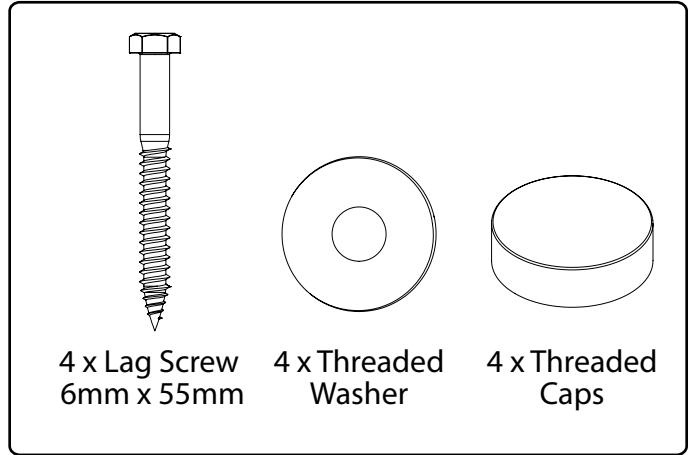


Mounting Cabinets

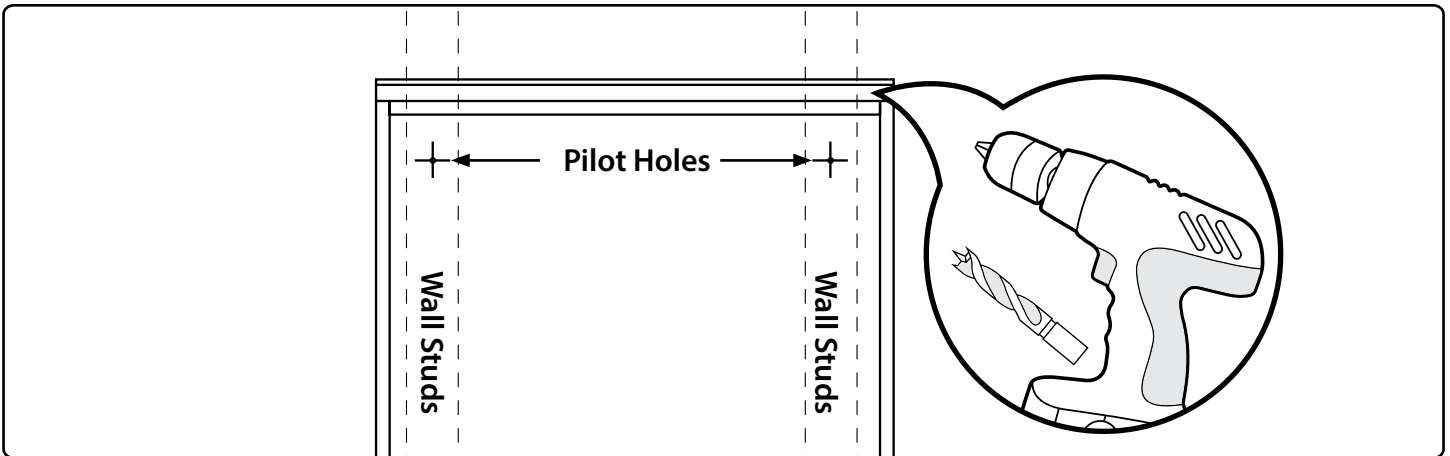
7 Use stud finder to locate the studs and mark the wall with a pencil.



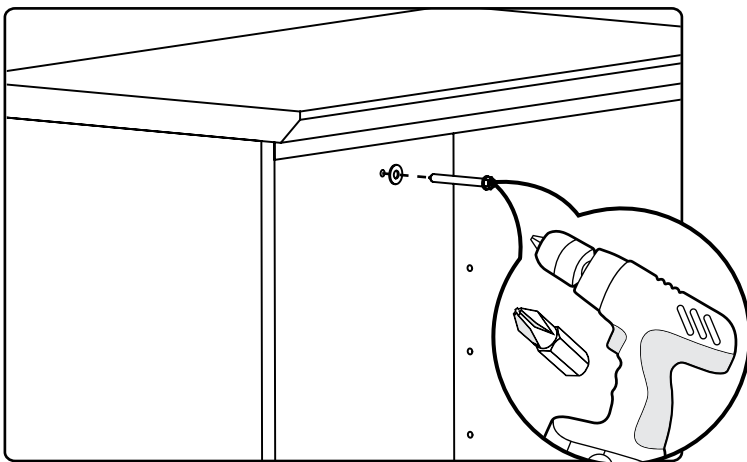
8 Gather parts.



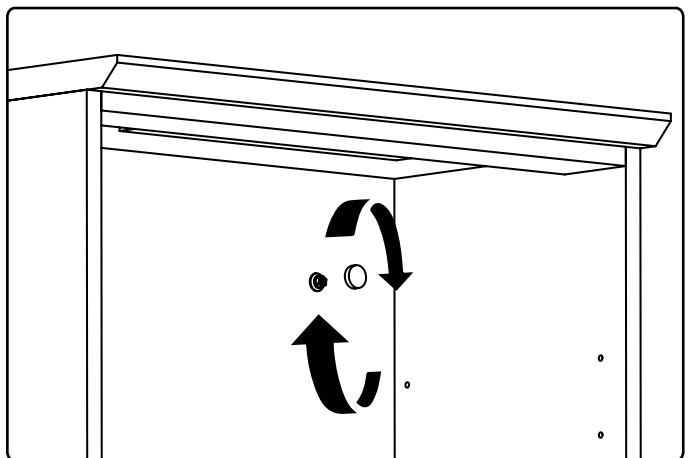
9 Near the top of the cabinet, drill 1/4" holes through the back of the cabinet that are in line with marked studs. Repeat for drilling two holes near the bottom of the cabinet.



10 Place cabinet flush against wall and attach using screws and washers.



11 Use threaded caps to cover screws.

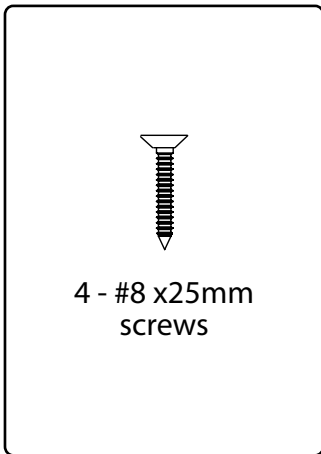


Fastening Cabinets

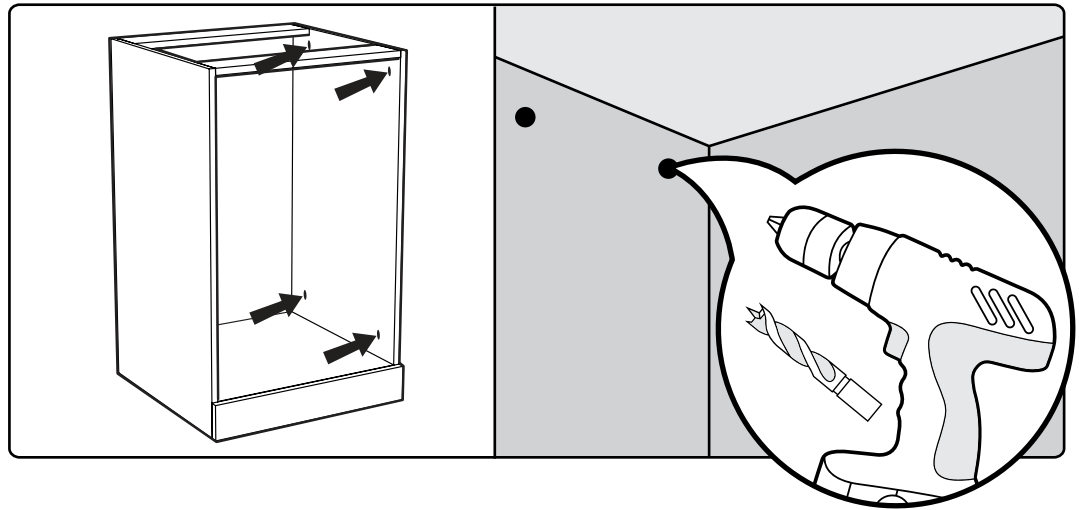
Note:

All shelves must be removed prior to fastening cabinets together.

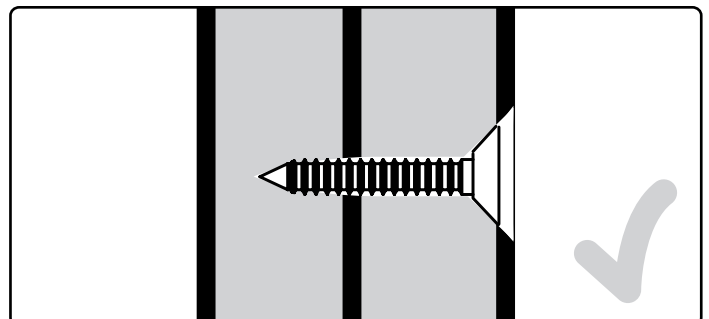
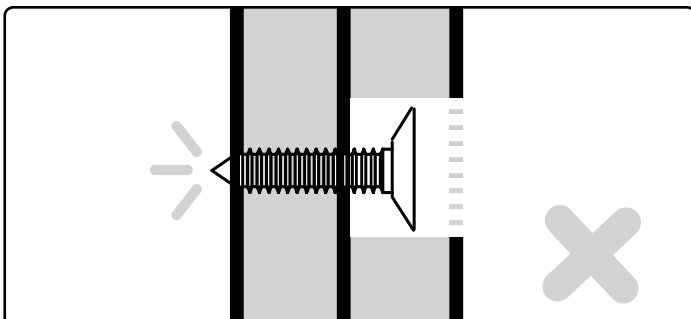
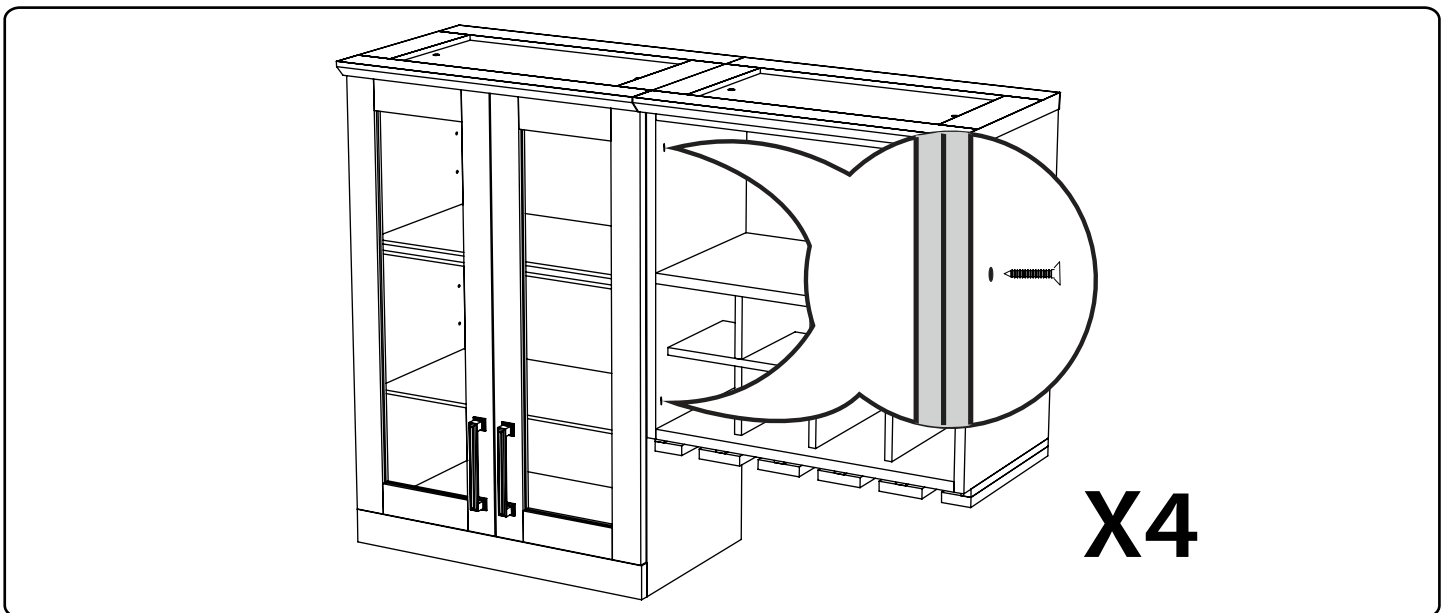
12 Parts Needed.

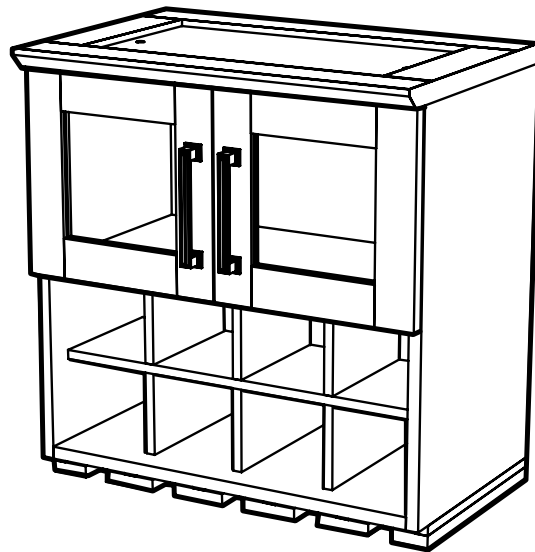


13 Drill 3/32" pilot holes on interior wall of cabinet being fastened.



14 Using pilot hole as guides, screw into second cabinet. Do Not Over-tighten screws and Punch through other side!





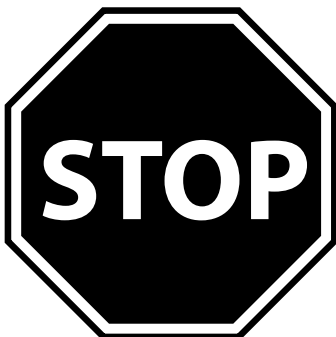
HOME BAR SERIES

21" WALL WINE RACK



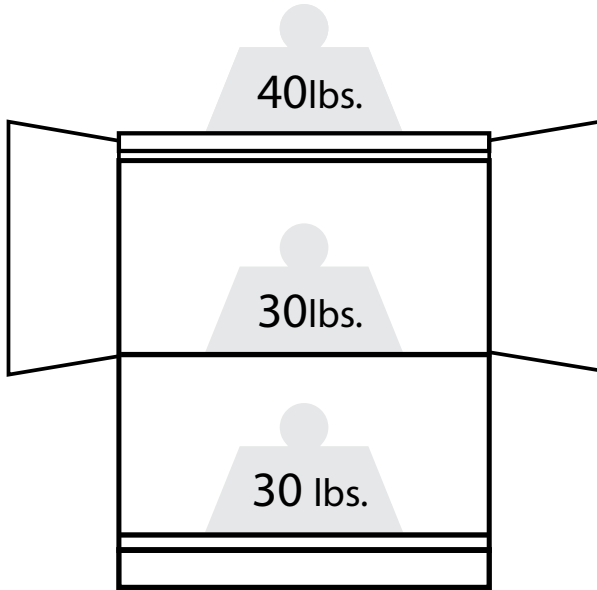
Warning: Excessive weight hazard!

Use two or more people to move, assemble, or install cabinets to avoid back injury. Do not leave children unattended near cabinets. High risk of tipping if cabinets are installed incorrectly: securely attach cabinets to the wall to avoid serious injury. For assistance, call 1.877.306.8930; for U.K 0800.031.4069; e-mail at info@newageproducts.com.



ATTENTION: Is your cabinet damaged? Need help or spare parts? For fastest service, contact NewAge Products at 1-877-306-8930; or support@newageproducts.com. Do not return to the retailer.

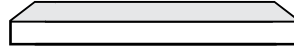
Weight Capacity



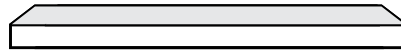
Wall
Wine Rack
Max 100 lbs.

Countertops

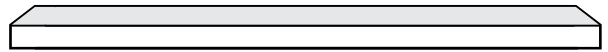
(for Base cabinets only.)



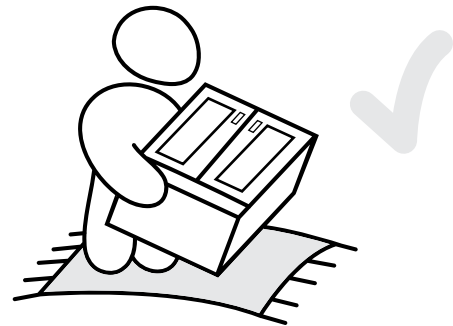
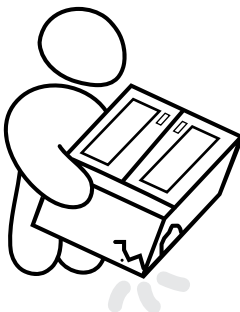
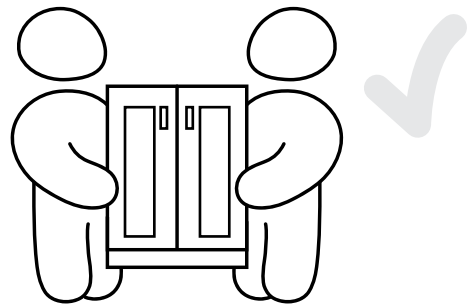
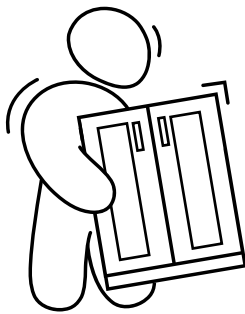
42" Countertop. Fits over 2 Cabinets



63" Countertop. Fits over 3 Cabinet



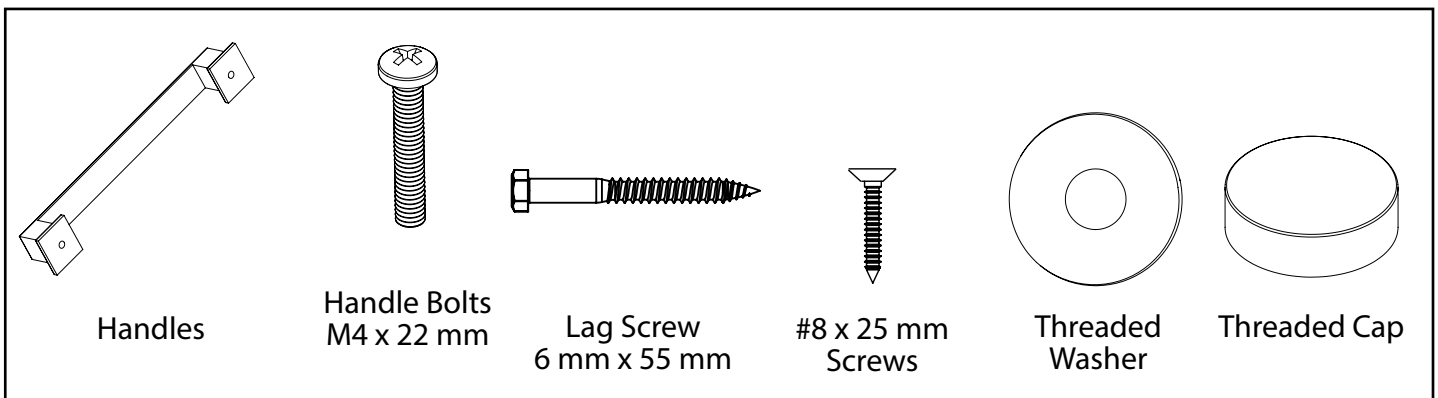
84" Countertop. Fits over 4 Cabinet



Unpacking

- Begin by placing the package on a covered flat surface.
- Remove all cardboard, foam packaging material and clear plastic bags.
- Dispose / recycle all packaging materials.
- Verify all the contents in the box and gather the required tools. See "Parts" and "Tools Needed" in the list below.

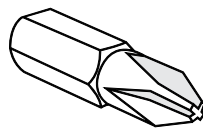
Parts Supplied	Wall Rack Cabinet
Threaded Caps	4
Threaded Washer	4
Handles	2
Handle Bolts (M4 x 22mm)	4
#8 x 25mm Screws	4
Lag Screw (6 mm x 55 mm)	4



Tools Needed



1 x #2 Phillips head screwdriver



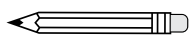
1 x #2 Phillips Bit (optional)



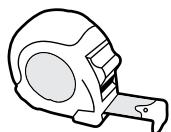
1 x Stud Finder



1 x Cordless Power Drill (optional)



1 x Pencil



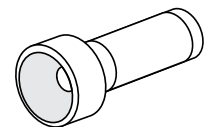
1 x Tape Measure



1 x
2.5mm or 3/32"
drill bit



1 x
6.5 mm or 1/4"
drill bit



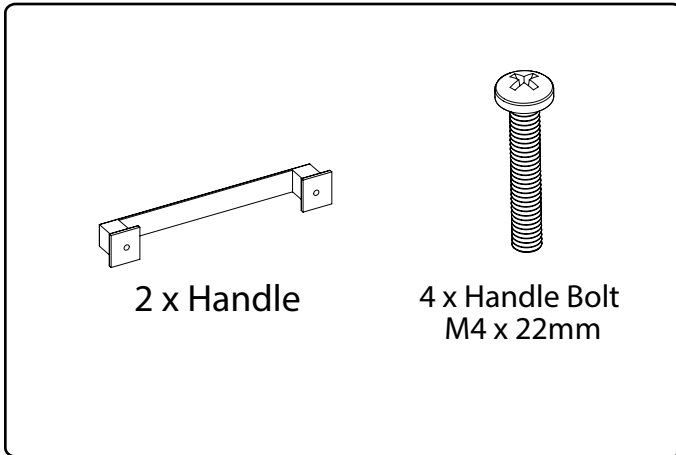
1 x Flashlight (optional)

Installing the Handles

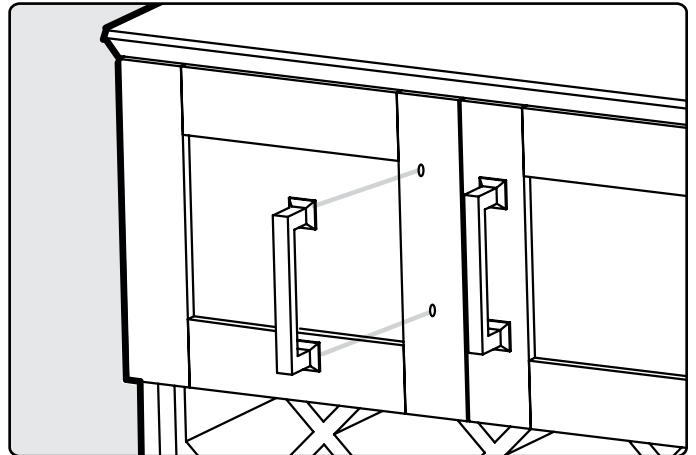
Note:

Cabinets come with handles installed on inside of drawers/doors.

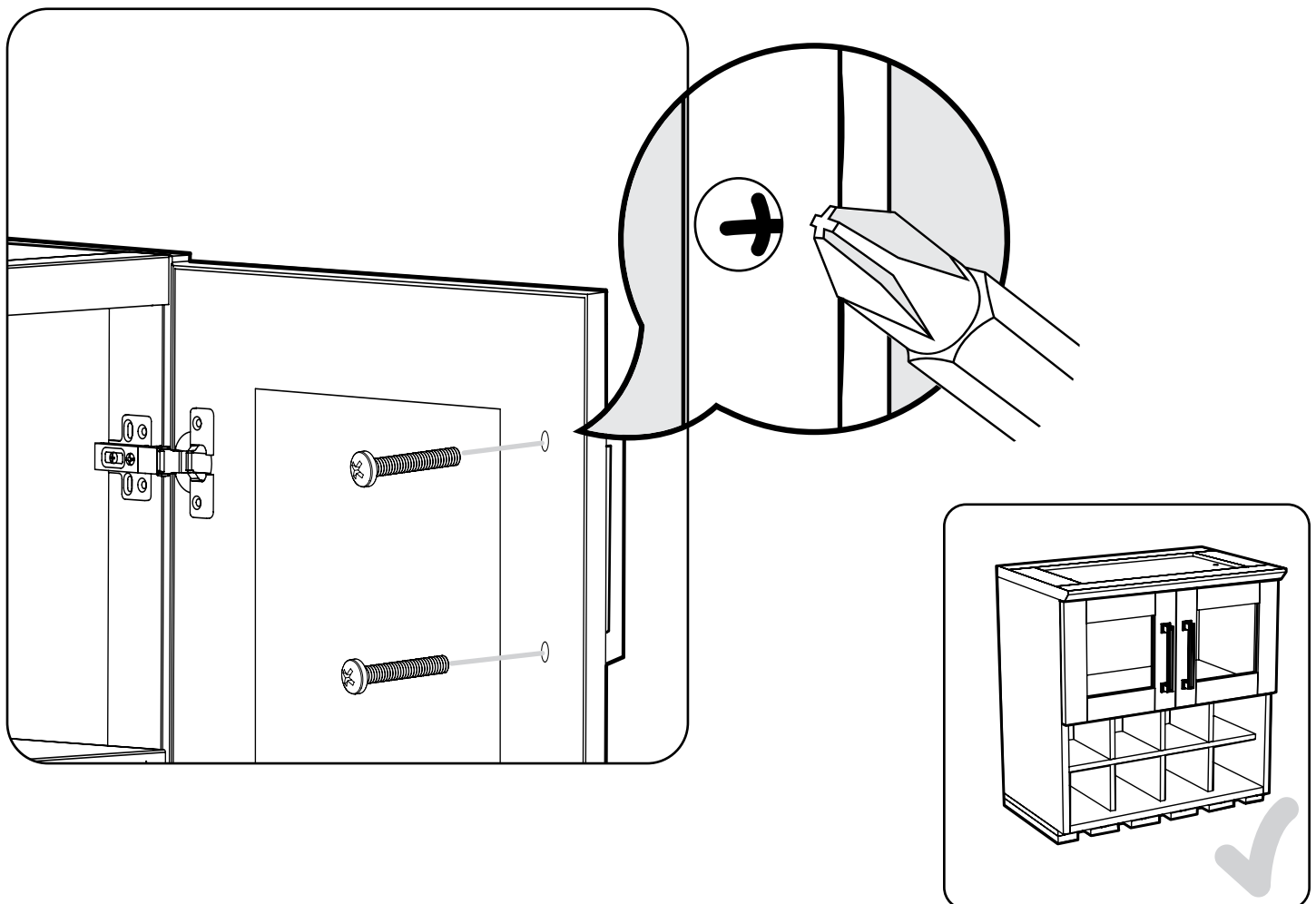
1 Parts Needed.



2 Align handle to holes on doors or drawers.



3 Screw in M4 x 22mm bolts.

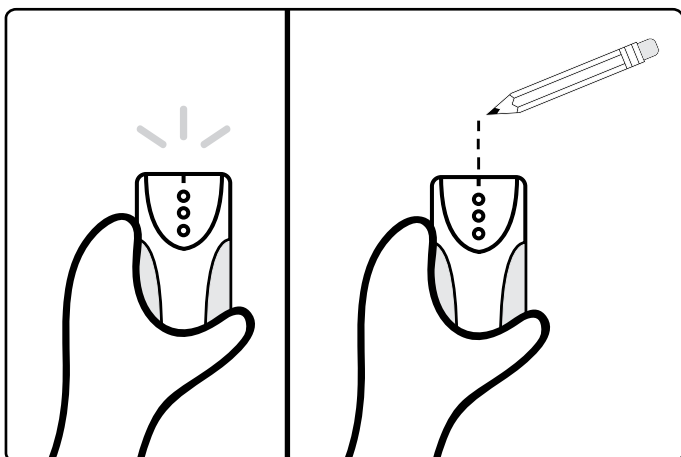


Mounting Cabinets

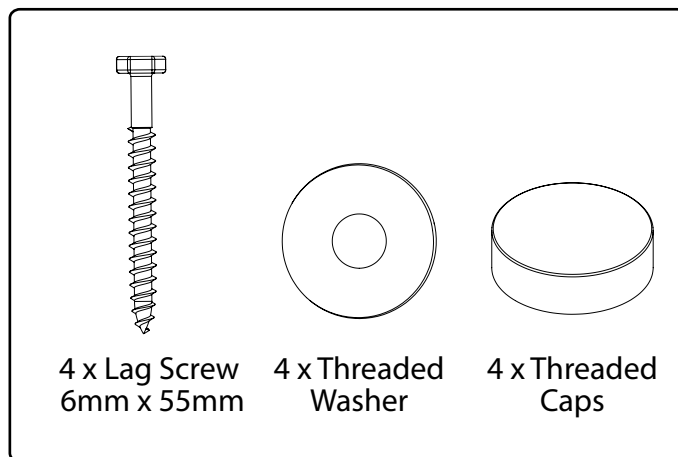
Note:

Remove wine rack to make attaching cabinets easier.

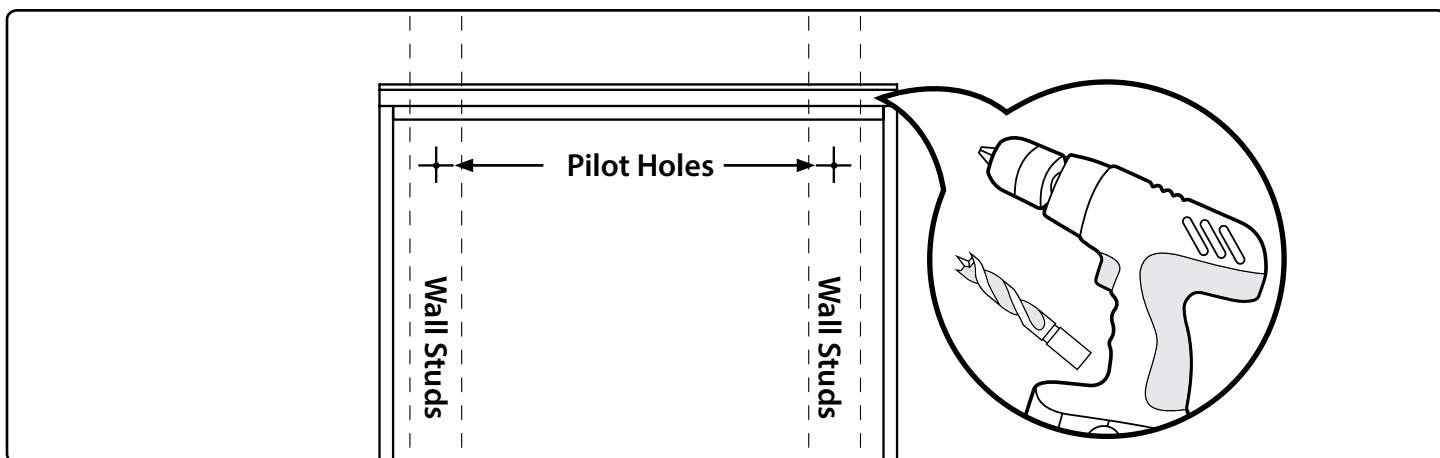
- 4** Use stud finder to locate the studs and mark the wall with a pencil.



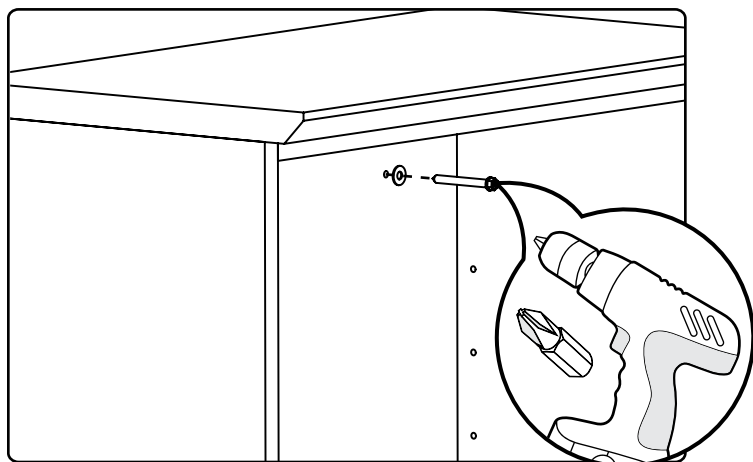
- 5** Gather parts.



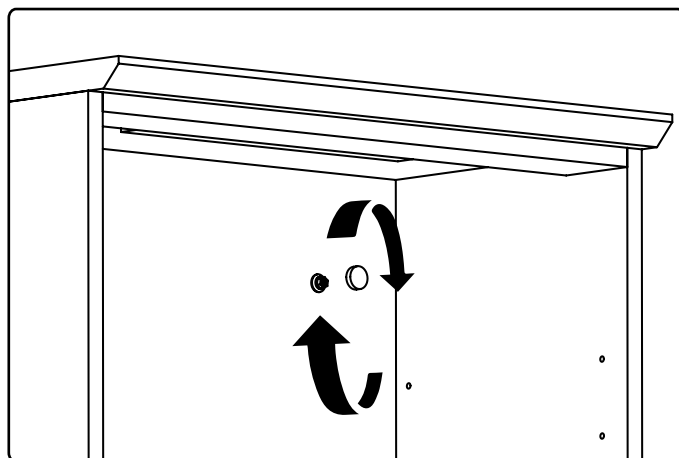
- 6** Near the top of the cabinet, drill 1/4" holes through the back of the cabinet that are in line with marked studs. Repeat for drilling two holes near the bottom of the cabinet.



- 7** Place cabinet flush against wall and attach using screws and washers.



- 8** Use threaded caps to cover screws.

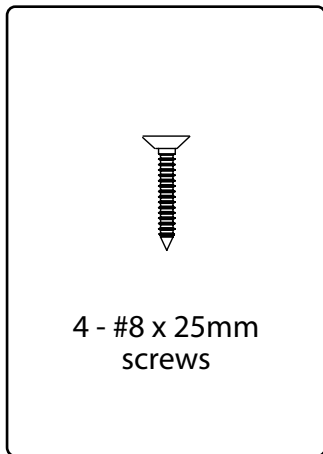


Fastening Cabinets

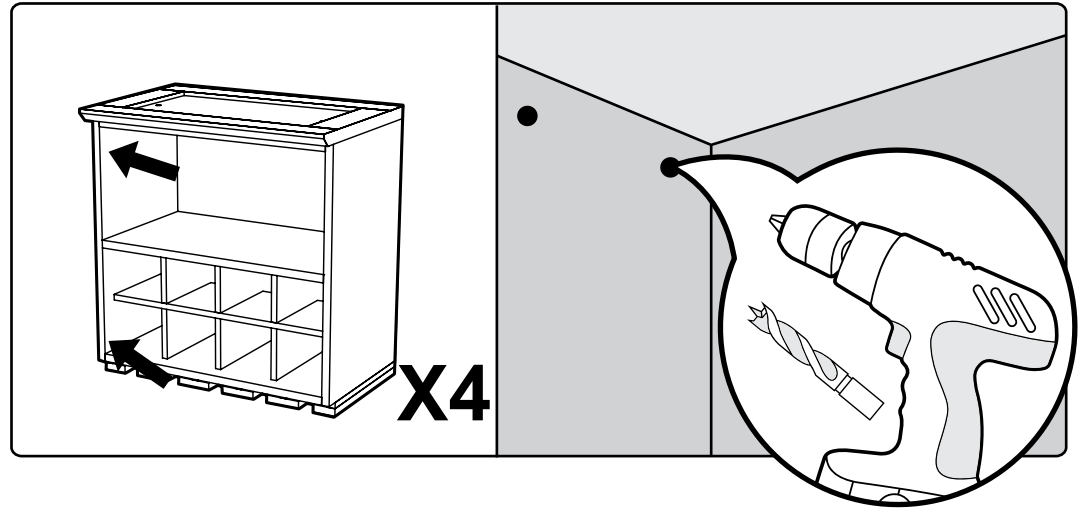
Note:

Remove wine rack to make attaching cabinets easier.

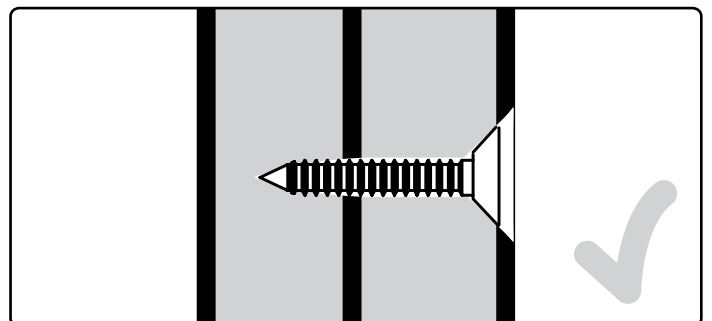
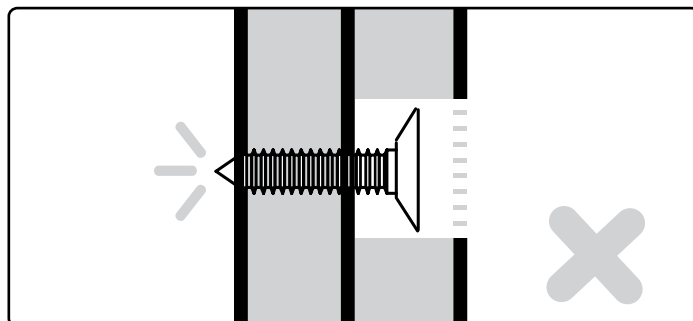
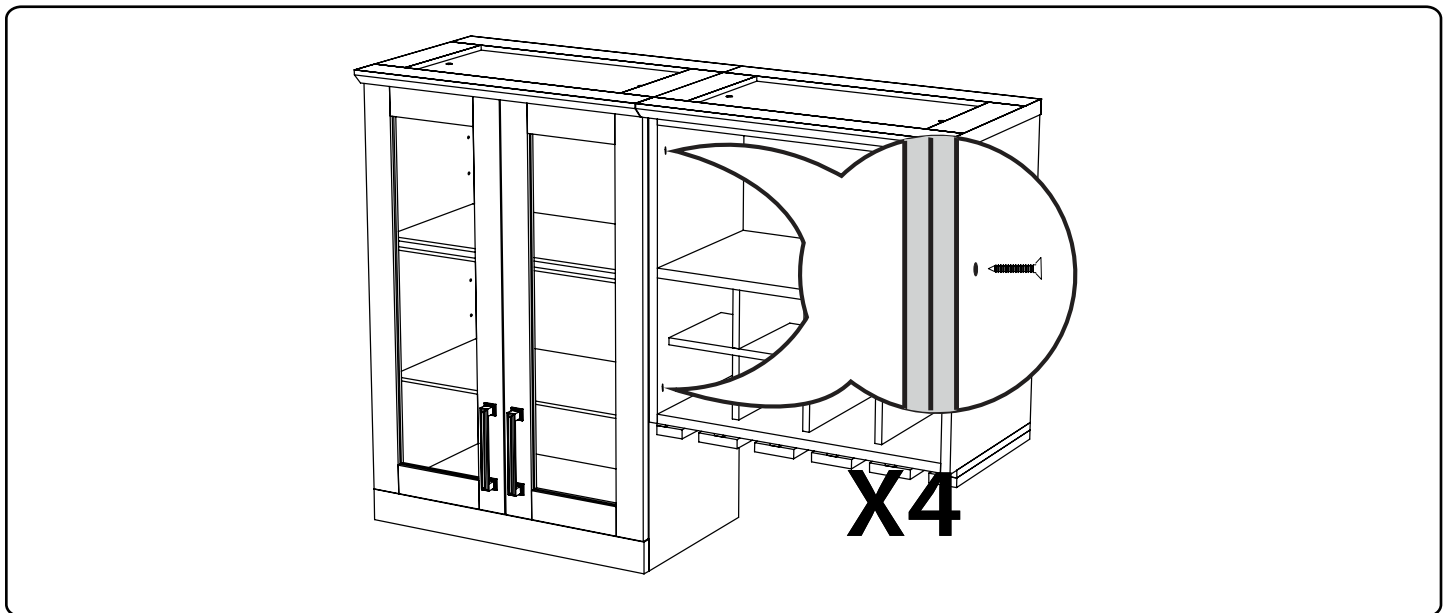
9 Parts Needed.



10 Drill 3/32" pilot holes on interior wall of cabinet being fastened.

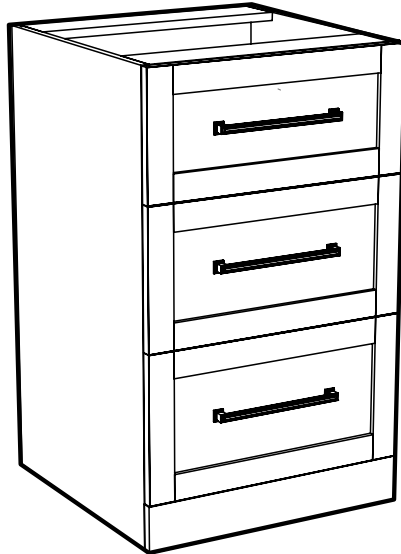


11 Using pilot hole as guides, screw into second cabinet. Do Not Over-tighten screws and Punch through other side!





Only open one drawer at a time.
If this cabinet is installed on its
own, it must be fastened to a
permanent structure.



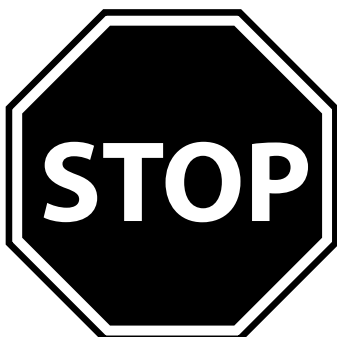
HOME BAR SERIES

21" 3 DRAWER BASE



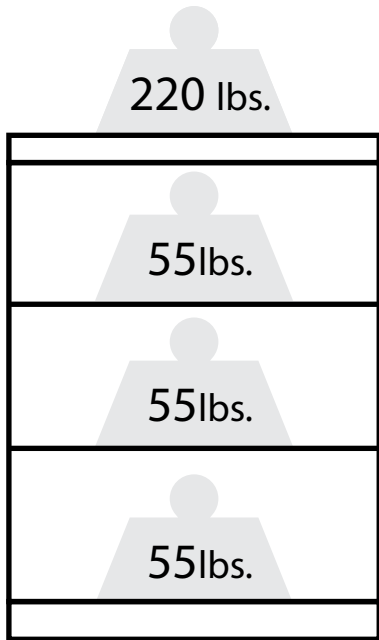
Warning: Excessive weight hazard!

Use two or more people to move, assemble, or install cabinets to avoid back injury. Do not leave children unattended near cabinets. High risk of tipping if cabinets are installed incorrectly: securely attach cabinets to the wall to avoid serious injury. For assistance, call 1.877.306.8930; for U.K 0800.031.4069; e-mail at info@newageproducts.com.



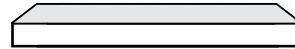
ATTENTION: Is your cabinet damaged? Need help or spare parts? For fastest service, contact NewAge Products at 1-877-306-8930; or support@newageproducts.com. Do not return to the retailer.

Weight Capacity



3 Drawer
Base Cabinet
Max 440 lbs.

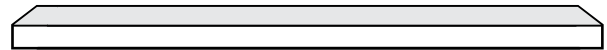
Countertops



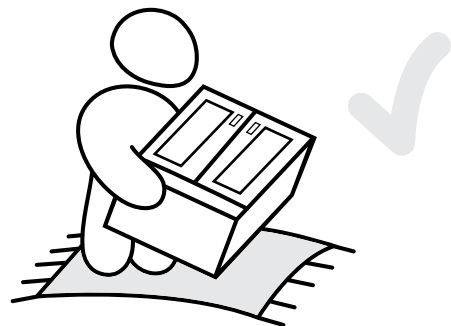
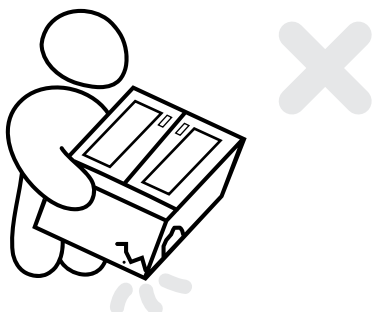
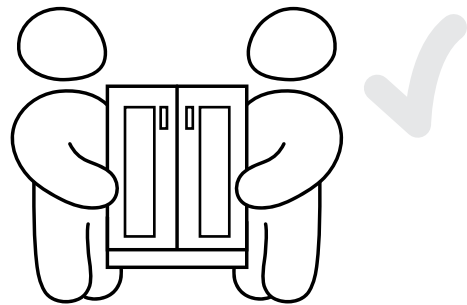
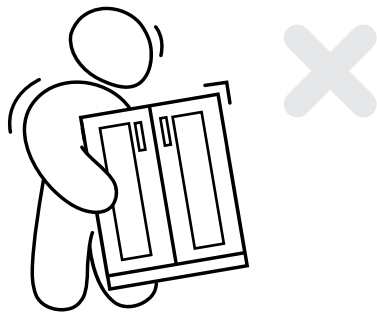
42" Countertop. Fits over 2 Cabinets



63" Countertop. Fits over 3 Cabinet



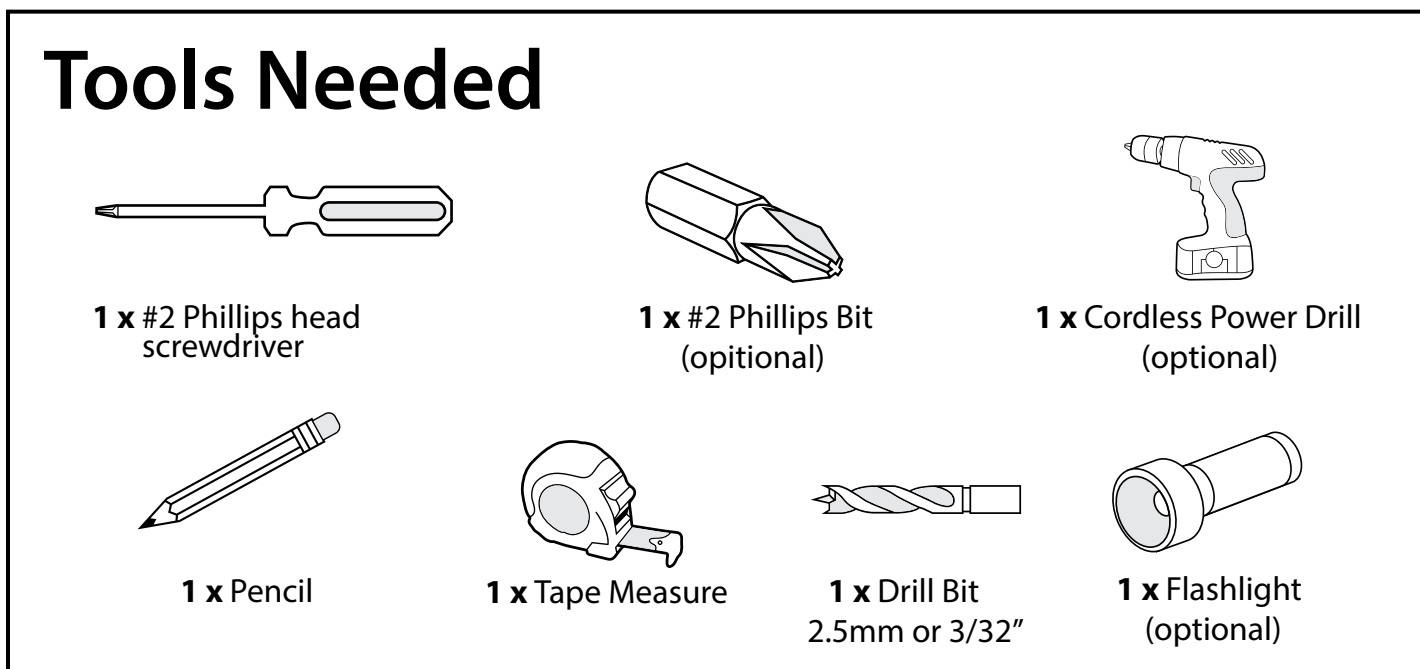
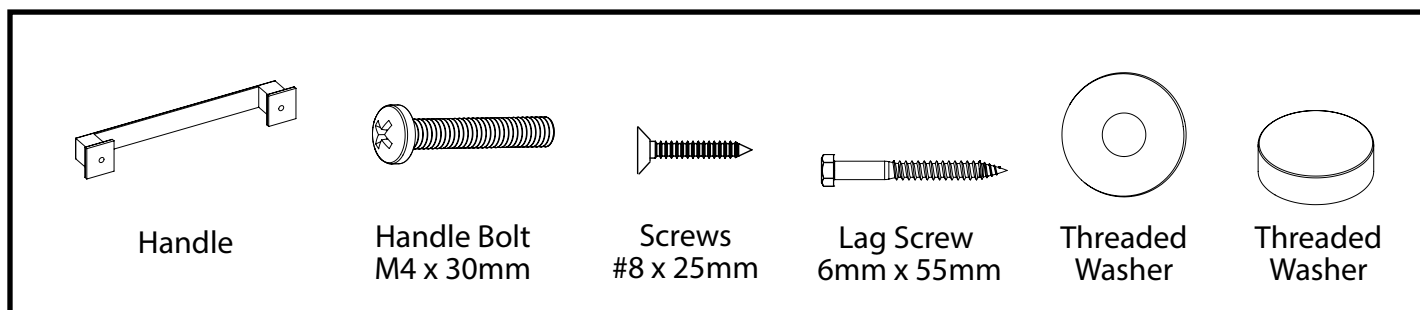
84" Countertop. Fits over 4 Cabinet



Unpacking

- Begin by placing the package on a covered flat surface.
- Remove all cardboard, foam packaging material and clear plastic bags.
- Dispose / recycle all packaging materials.
- Verify all the contents in the box and gather the required tools. See "Parts" and "Tools Needed" in the list below.

Parts Supplied	3 Drawer Cabinet
Handles	3
Handle Bolts (M4 x30mm)	6
#8 x 25mm Screws	6
Threaded Caps	4
Threaded Washer	4
Lag Screw (6 mm x 55 mm)	4

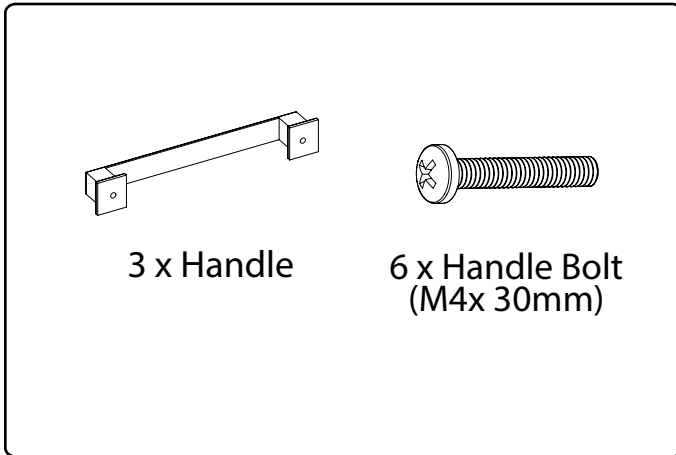


Installing the Handles

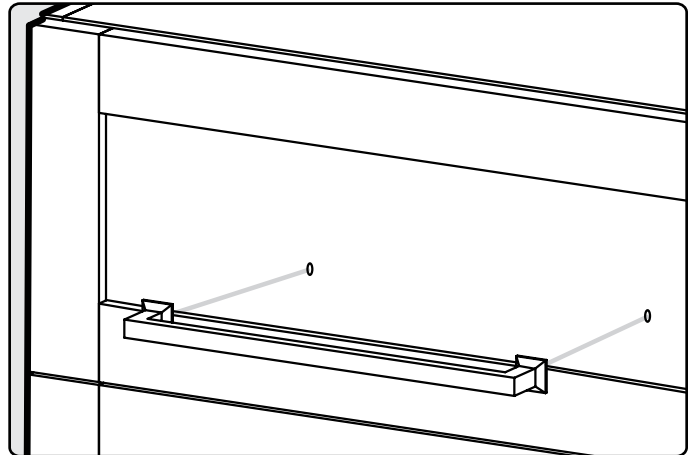
Note:

Cabinets come with handles installed on inside of drawers/doors.

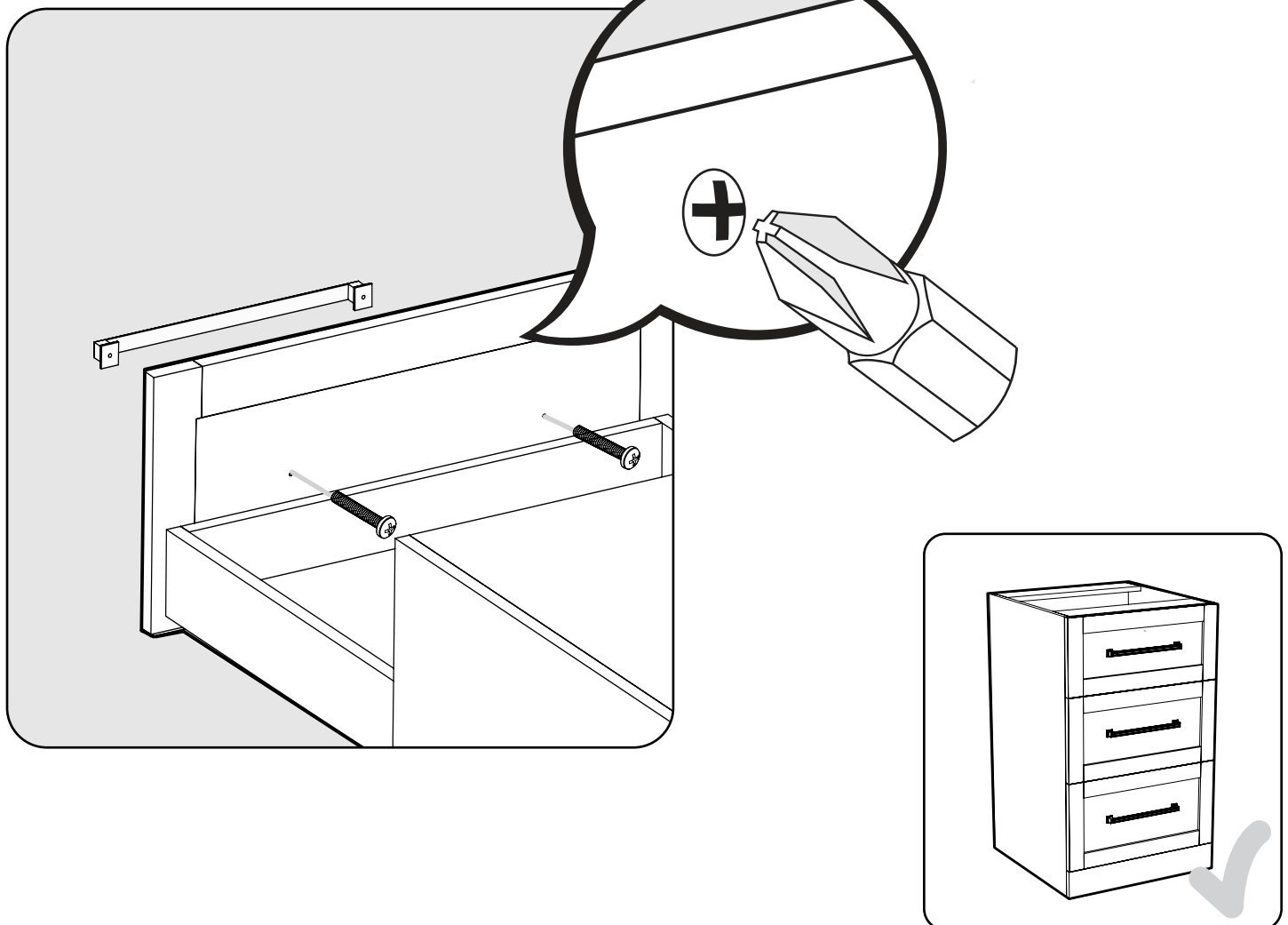
1 Parts Needed.



2 Align handle to holes on doors or drawers.

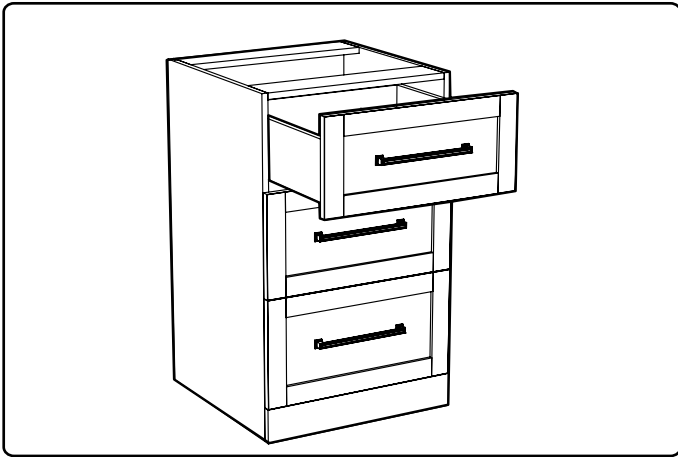


3 Screw in bolts.

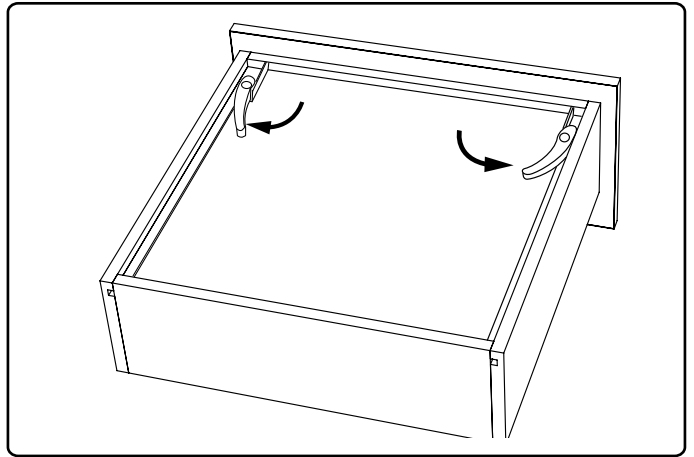


Removing Drawer

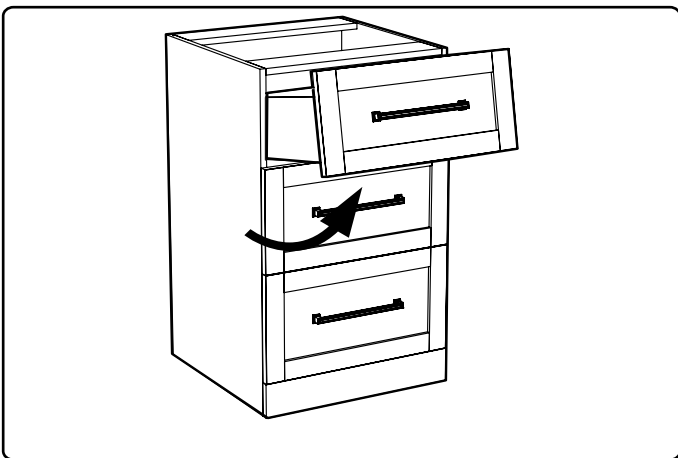
4 Extend drawer fully.



5 Press plastic triggers on underside of drawer according to arrows in image.

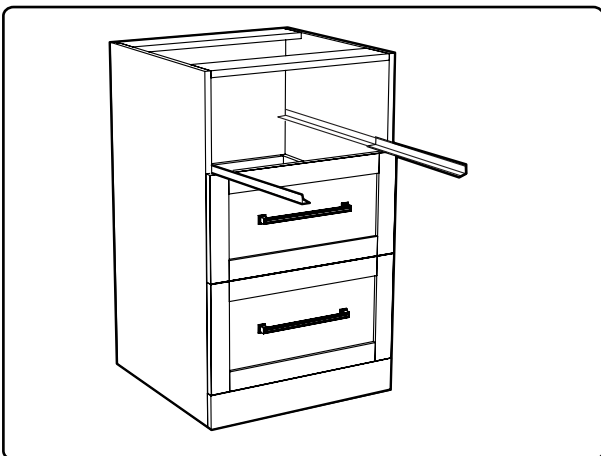


6 Tilt and remove shelf rack.

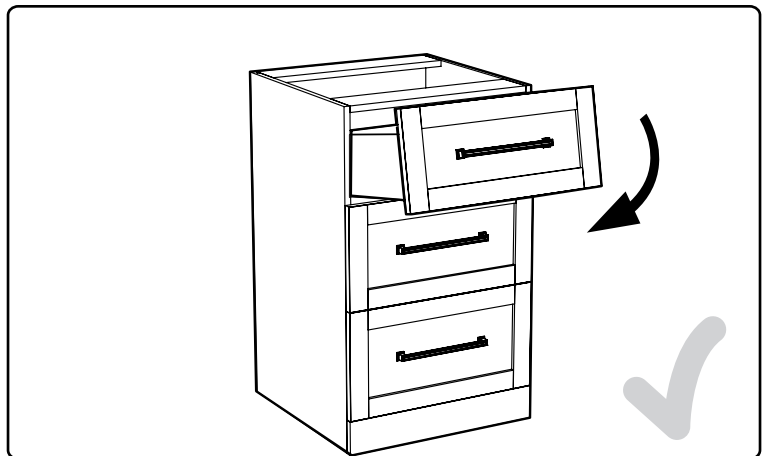


Inserting Drawer

7 Partially extend drawer slides.



8 Put drawer on slides and slide each drawer slide forward until you hear a click sound.



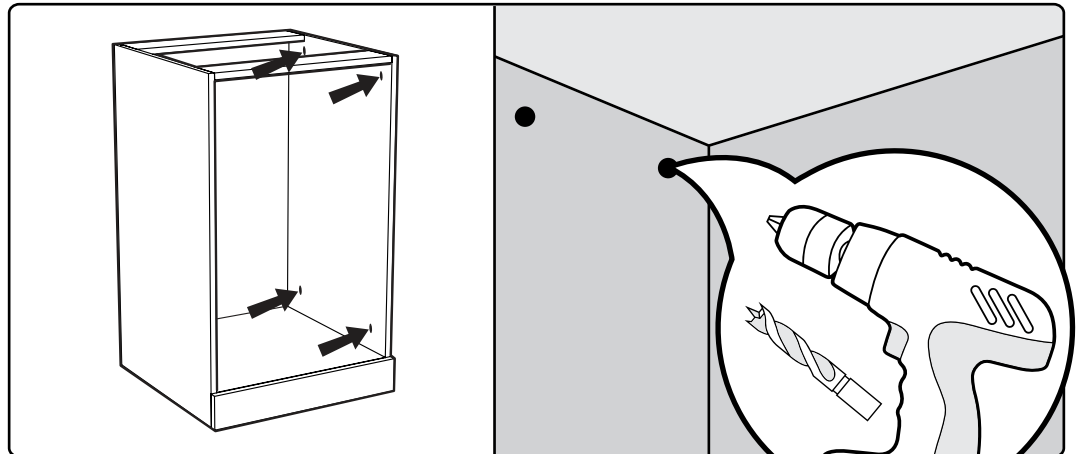
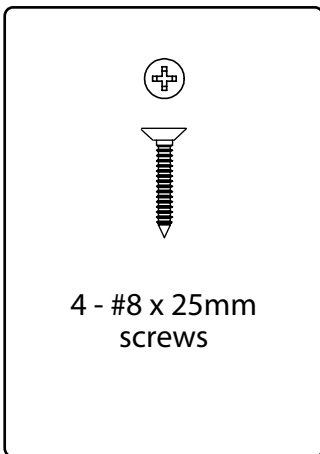
Fastening Cabinets

Note:

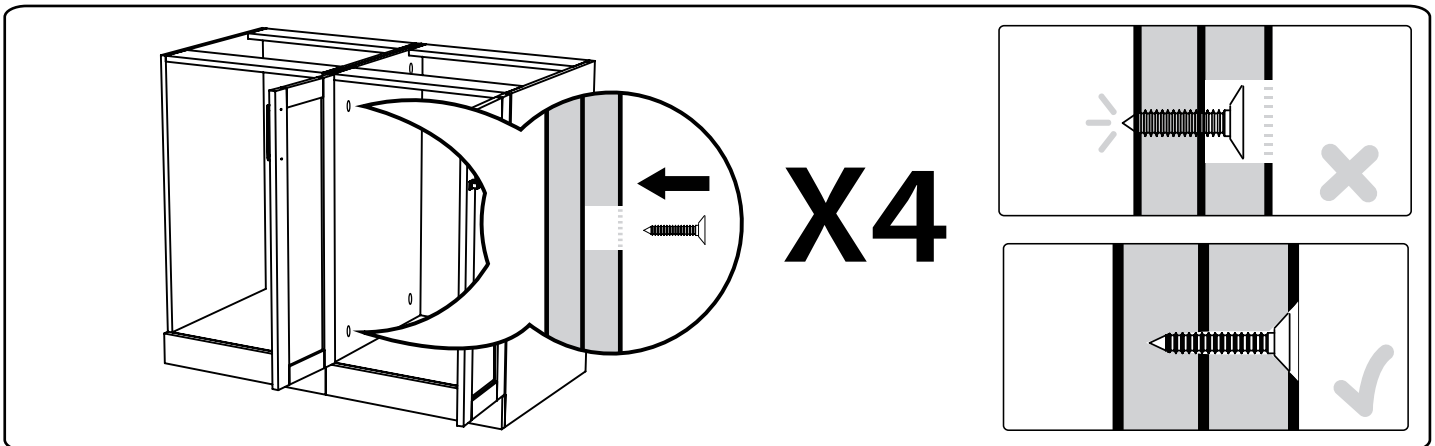
All drawers must be removed prior to fastening cabinets together.

9 Parts Needed.

10 Drill $3/32''$ pilot holes on interior wall of cabinet being fastened.

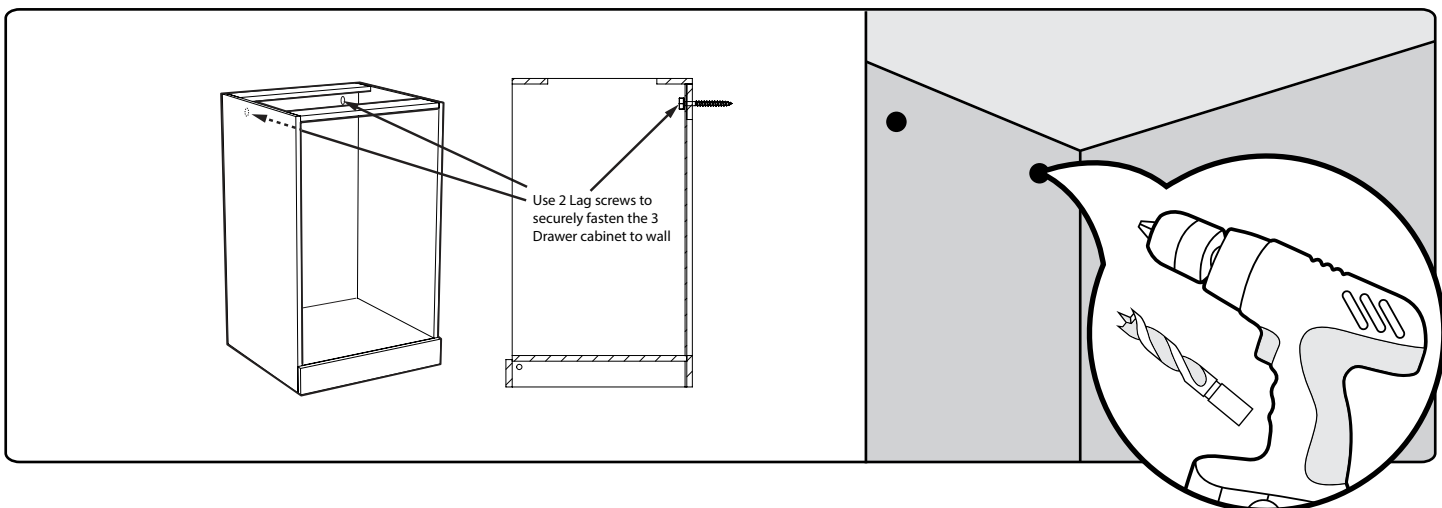


11 Using pilot hole as guides, screw into second cabinet. Do not over-tighten screws and punch through other side!



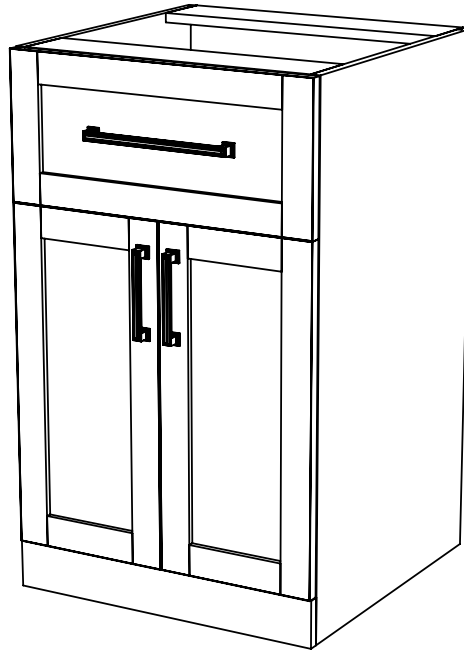
Securing Cabinet to Wall to prevent tipping

12 To securely fasten the cabinet to the wall, drill $1/4''$ pilot holes on back inside wall of cabinet. Use 2 lag screws to fasten the cabinet to the wall studs.





Only open one drawer at a time.
If this Cabinet is installed on its own
please fasten to a permanent structure.



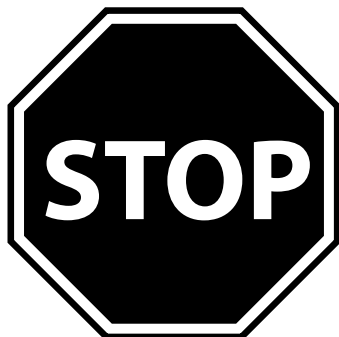
HOME BAR SERIES

21in. SPLIT CABINET



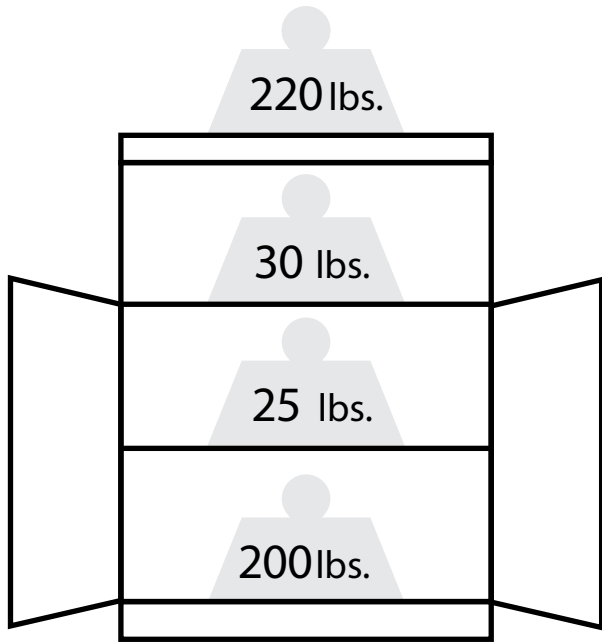
Warning: Excessive weight hazard!

Use two or more people to move, assemble, or install cabinets to avoid back injury. Do not leave children unattended near cabinets. High risk of tipping if cabinets are installed incorrectly: securely attach cabinets to the wall to avoid serious injury. For assistance, call 1.877.306.8930; for U.K 0800.031.4069; e-mail at info@newageproducts.com.



ATTENTION: Is your cabinet damaged? Need help or spare parts? For fastest service, contact NewAge Products at 1-877-306-8930; or support@newageproducts.com. Do not return to the retailer.

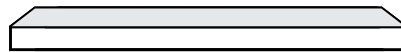
Weight Capacity



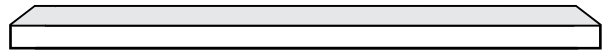
Split
Base Cabinet
Max 500 lbs.

Countertops

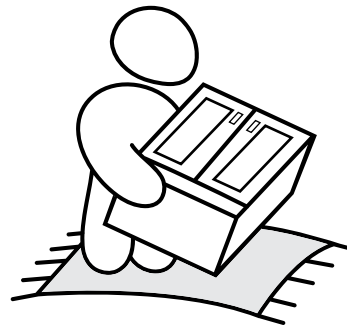
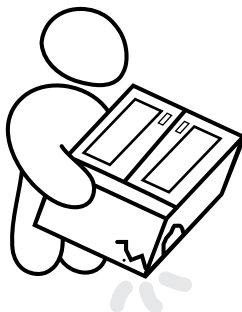
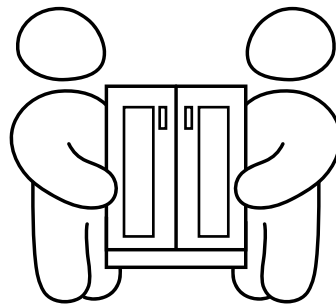
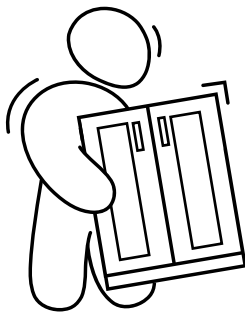
42" Countertop. Fits over 2 Cabinets



63" Countertop. Fits over 3 Cabinets




84" Countertop. Fits over 4 Cabinets



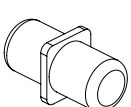
Unpacking

- Begin by placing the package on a covered flat surface.
- Remove all cardboard, foam packaging material and clear plastic bags.
- Dispose / recycle all packaging materials.
- Verify all the contents in the box and gather the required tools. See “Parts” and “Tools Needed” in the list below.

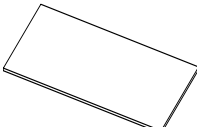
Parts Supplied	Split Cabinet
Door Handles	2
Drawer Handles	1
Handle Bolts for Doors (M4x22mm)	4
Handle Bolts for Drawers (M4x30mm)	2
#8 x 25mm Screws	6
Shelf	1
Shelf Pins	6
Threaded Caps	2
Threaded Washer	2
Lag Screw (6 mm x 55 mm)	2




Door Handle




Shelf Pins



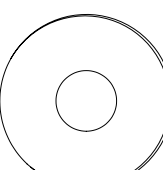
Shelf



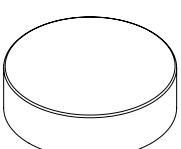
Door Handle Bolt
M4 x 22mm




Lag Screw
6mm x 55mm




Threaded Washer



Threaded Caps

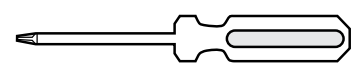


Drawer Handle Bolt
M4 x 30mm

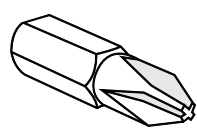


Screws
#8 x 25mm


Tools Needed



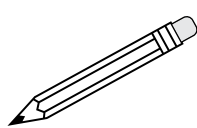
1 x #2 Phillips head screwdriver



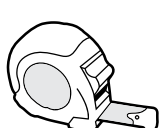
1 x #2 Phillips Bit (optional)




1 x Cordless Power Drill (optional)



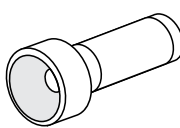
1 x Pencil



1 x Tape Measure



1 x Drill Bit
2.5mm or 3/32"



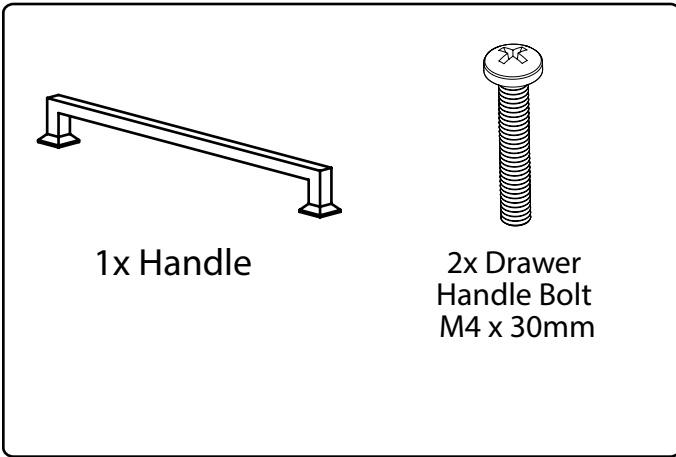
1 x Flashlight (optional)

Installing Drawer Handle

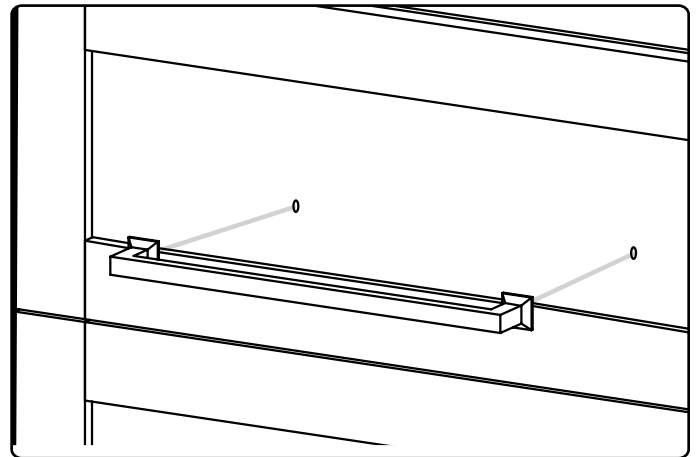
Note:

Cabinets come with handles installed on inside of drawers/doors.

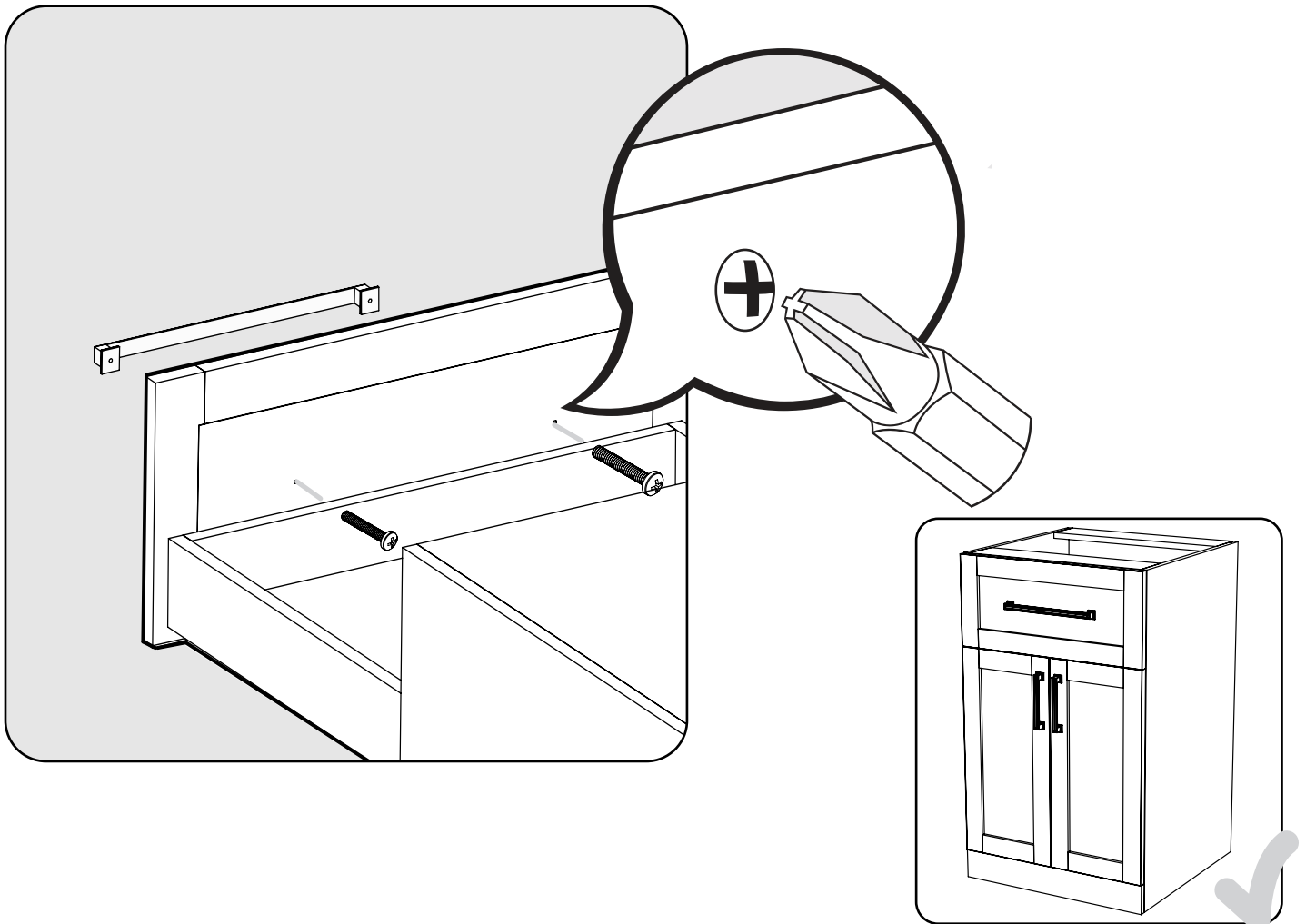
1 Parts Needed.



2 Align handle to holes on doors or drawers.

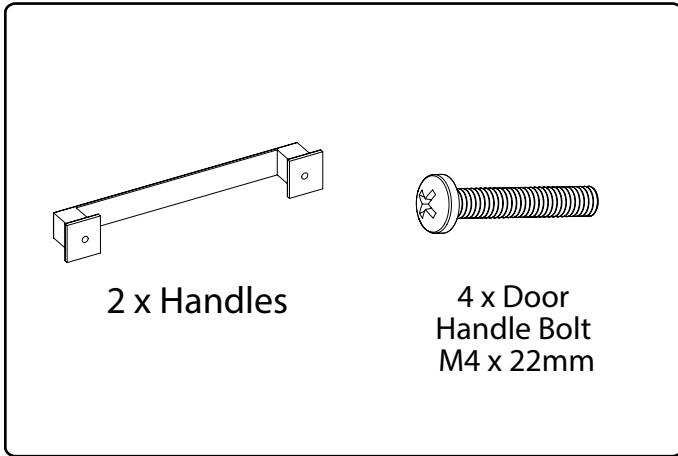


3 Screw in bolts.

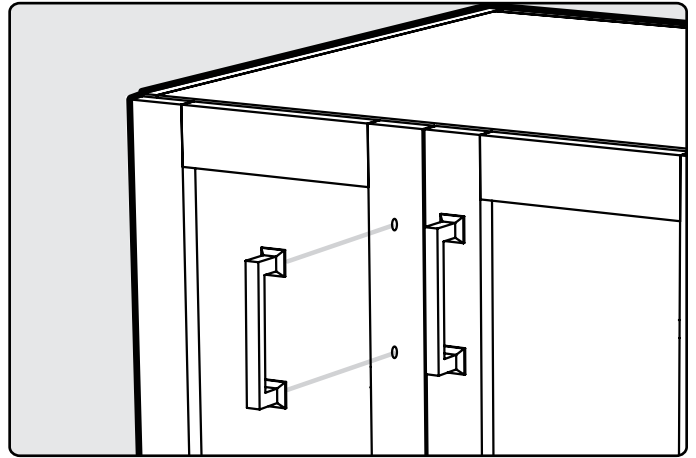


Installing the Handles

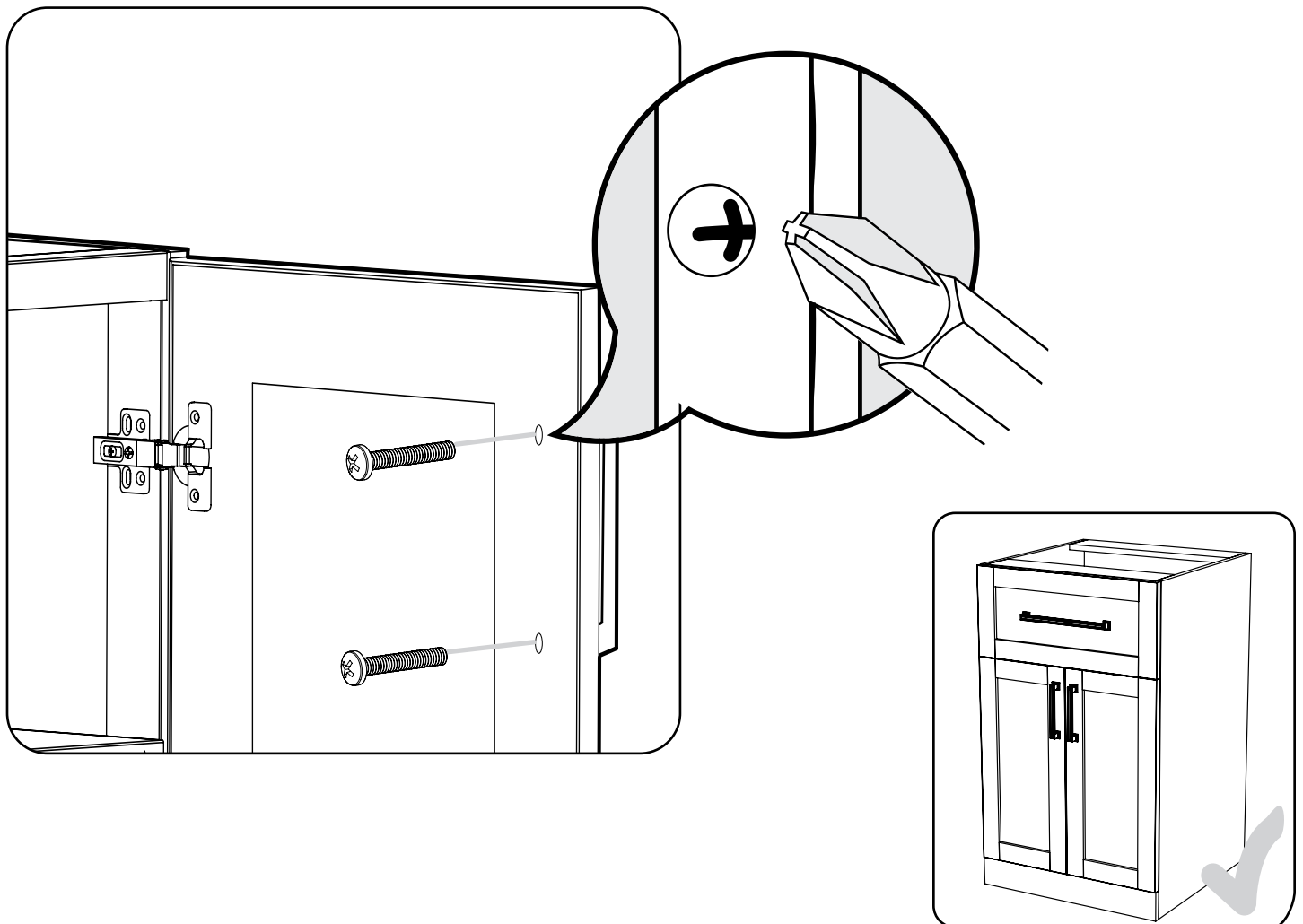
4 Parts Needed.



5 Align handle to holes on doors or drawers.

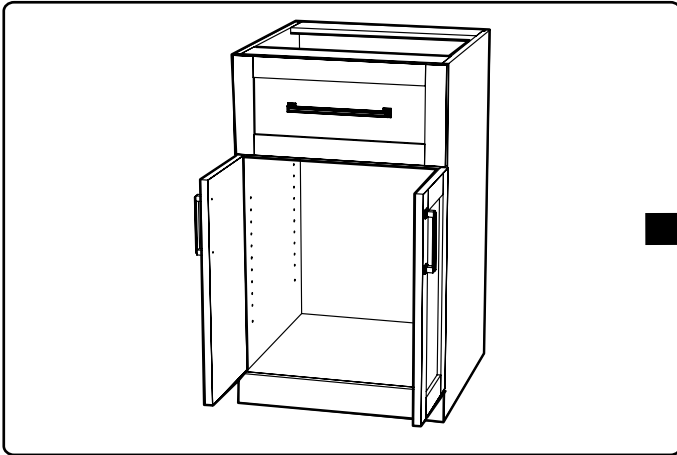


6 Screw in bolts.

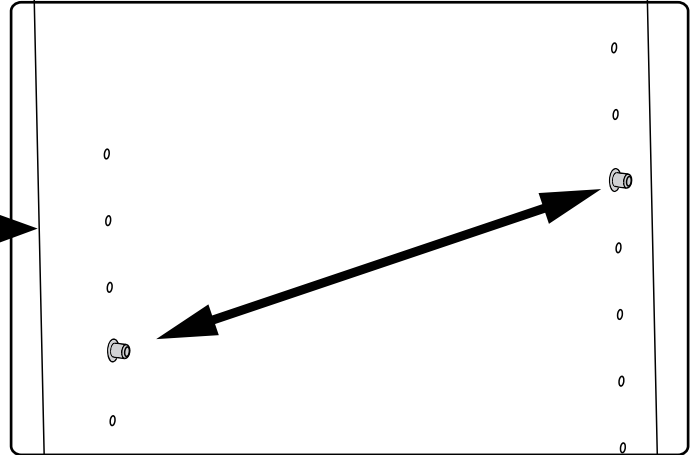


Inserting Shelf

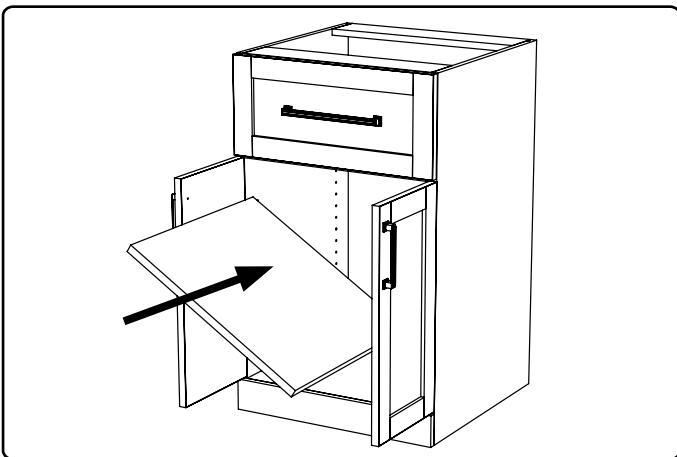
1 Open cabinet doors. Attach shelf clips to desired height.



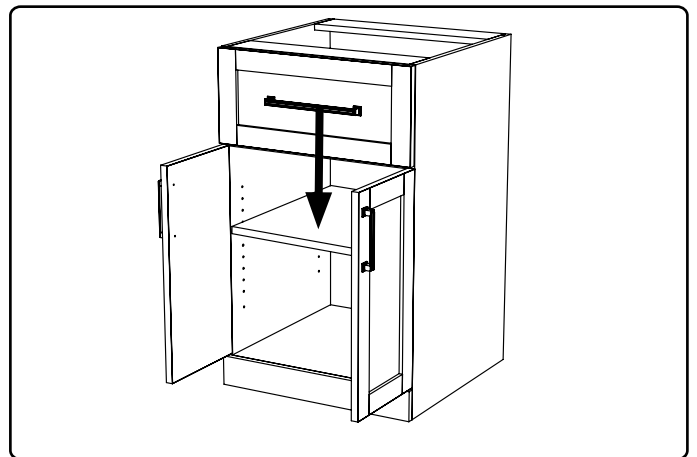
2 Ensure clips are at level height.



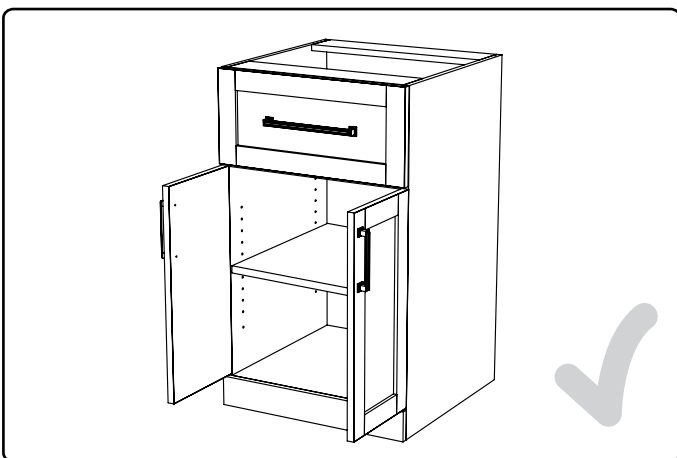
3 Insert shelf at a slight angle.



4 Position over shelf supports . Lower shelf down onto shelf supports.

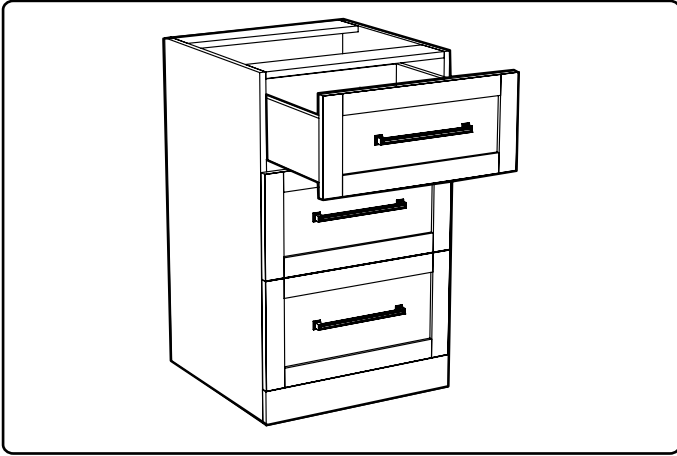


5

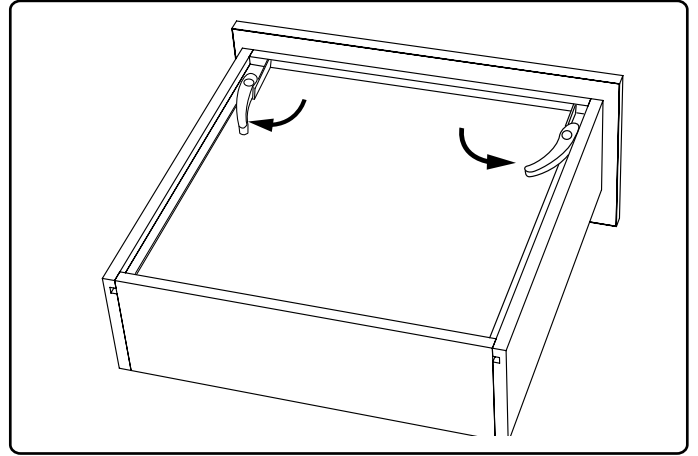


Removing Drawer

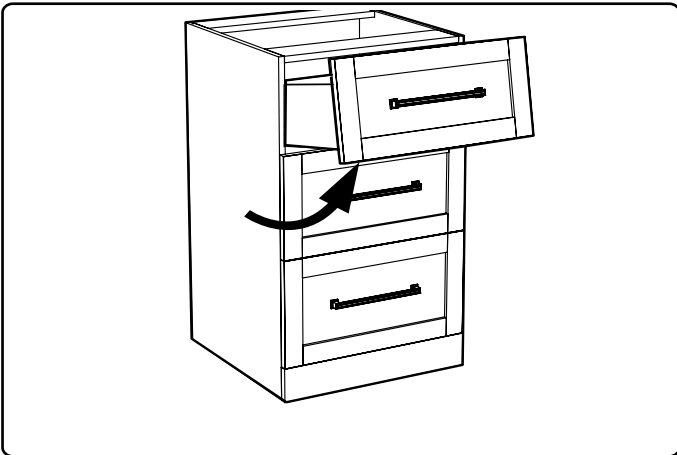
6 Extend drawer fully.



7 Press plastic triggers on underside of drawer according to arrows in image.

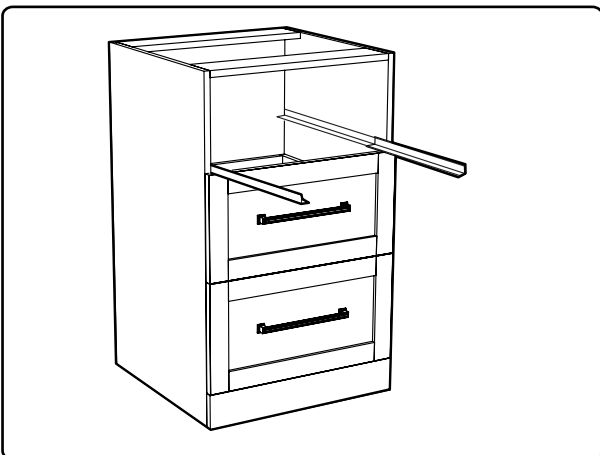


8 Tilt and remove shelf rack.

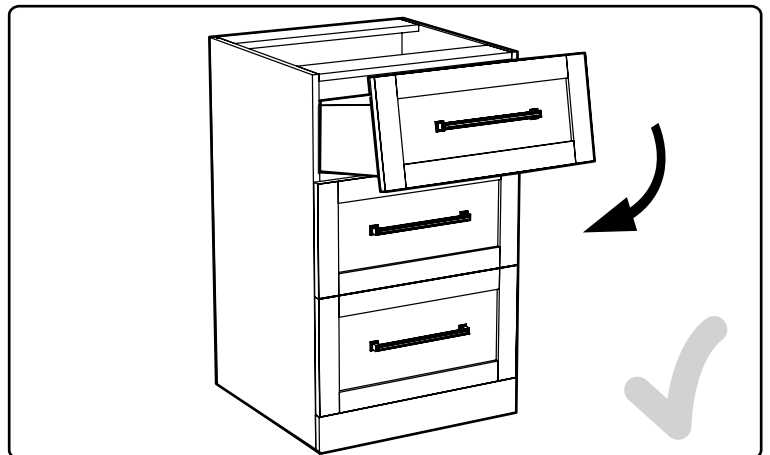


Inserting Drawer

9 Partially extend drawer slides.



10 Put drawer on slides and slide each drawer slide forward until you hear a click sound.



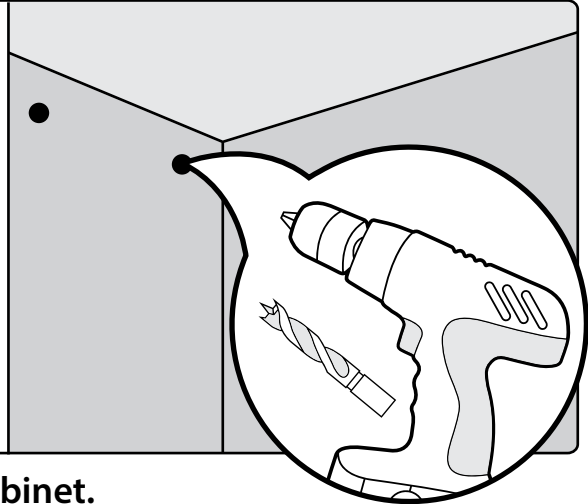
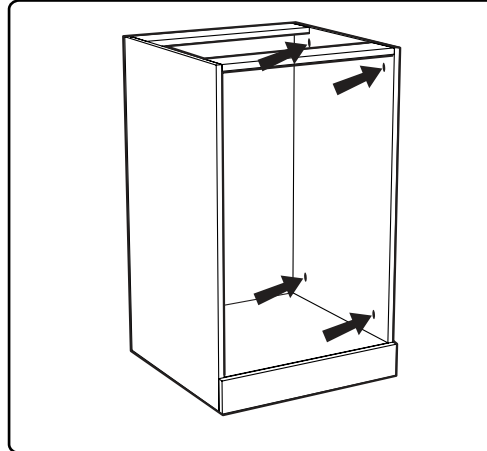
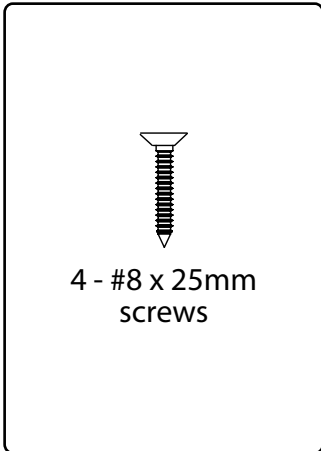
Fastening Cabinets

Note:

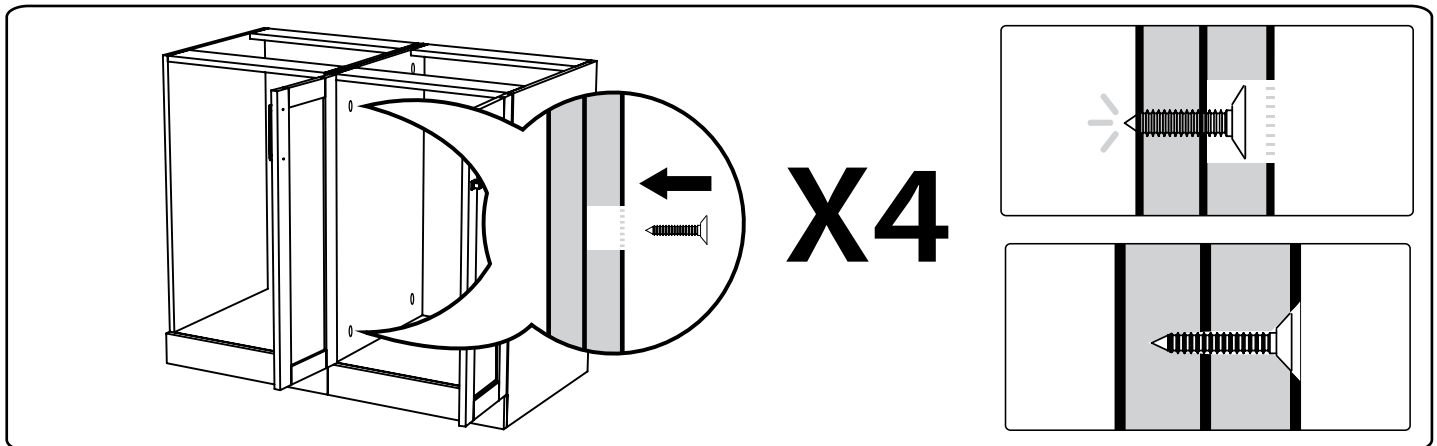
All shelves and drawers must be removed prior to fastening cabinets together.

11 Parts Needed.

12 Drill 3/32 pilot holes on interior wall of cabinet being fastened.

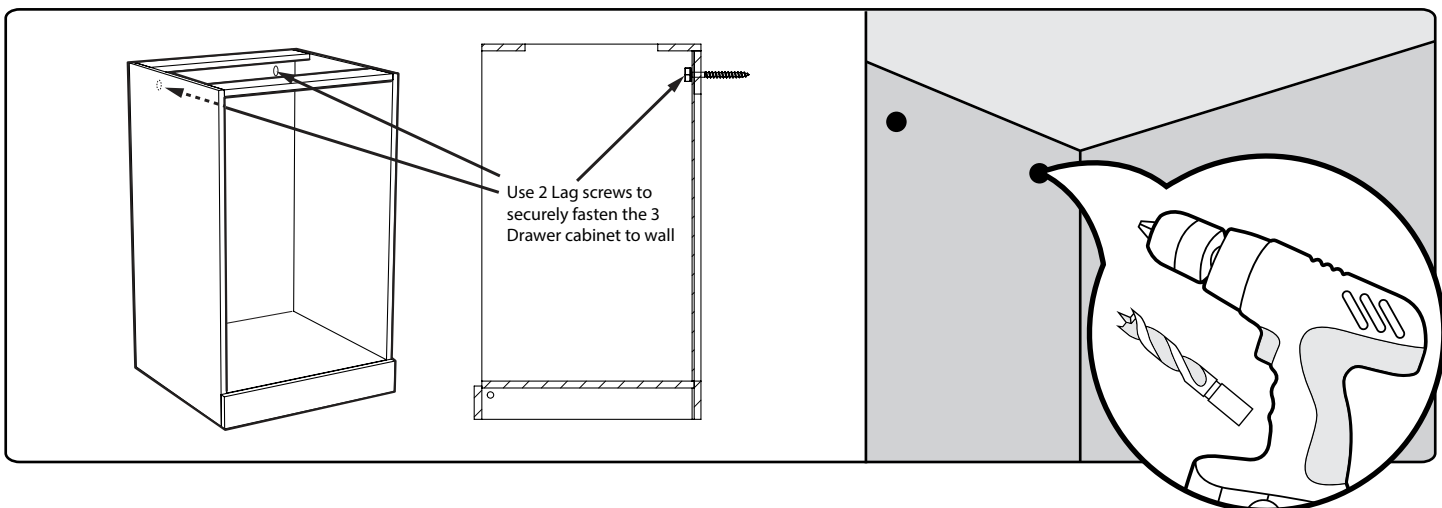


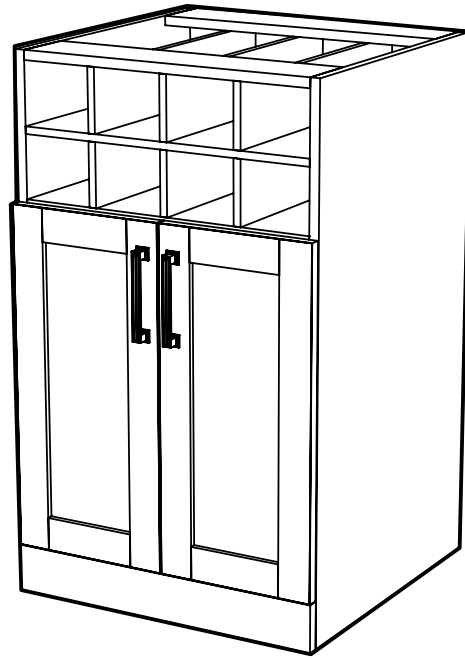
11 Using pilot hole as guides, screw into second cabinet. Do not over-tighten screws and punch through other side!



Securing Cabinet to Wall to prevent tipping

12 To securely fasten the cabinet to the wall, drill 1/4" pilot holes on back inside wall of cabinet. Use 2 lag screws to fasten the cabinet to the wall studs.





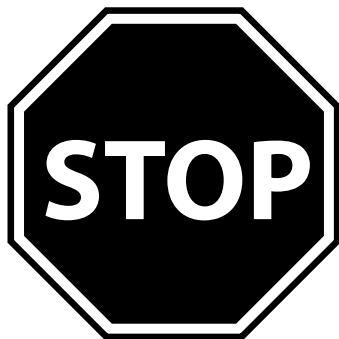
HOME BAR SERIES

21in. WINE STORAGE



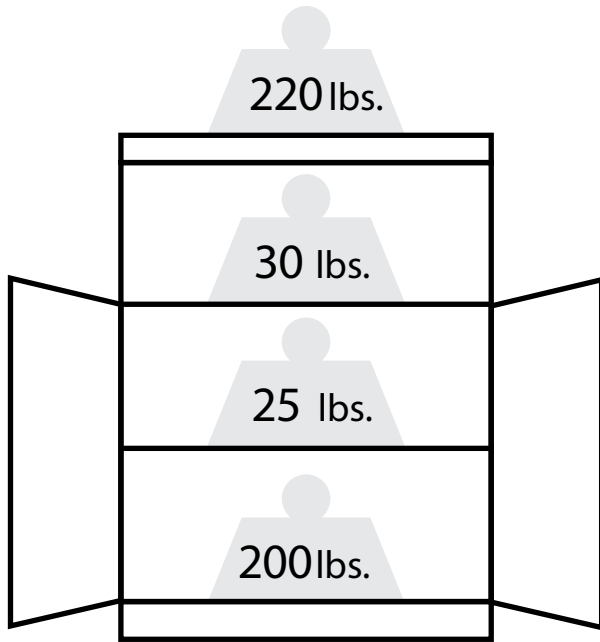
Warning: Excessive weight hazard!

Use two or more people to move, assemble, or install cabinets to avoid back injury. Do not leave children unattended near cabinets. High risk of tipping if cabinets are installed incorrectly: securely attach cabinets to the wall to avoid serious injury. For assistance, call 1.877.306.8930; for U.K 0800.031.4069; e-mail at info@newageproducts.com.



ATTENTION: Is your cabinet damaged? Need help or spare parts? For fastest service, contact NewAge Products at 1-877-306-8930; or support@newageproducts.com. Do not return to the retailer.

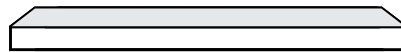
Weight Capacity



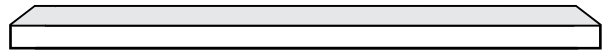
Split
Base Cabinet
Max 500 lbs.

Countertops

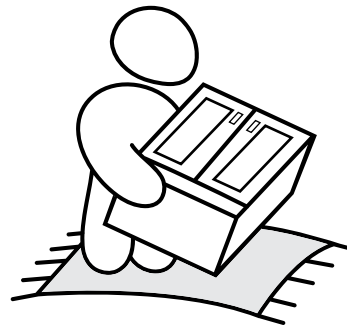
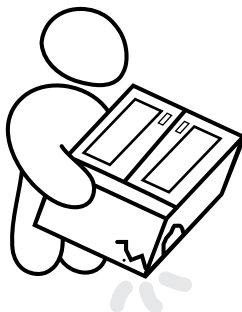
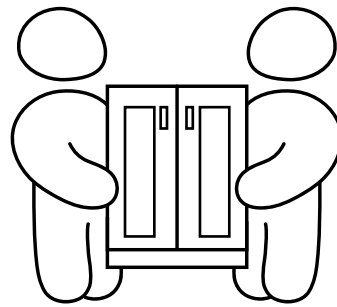
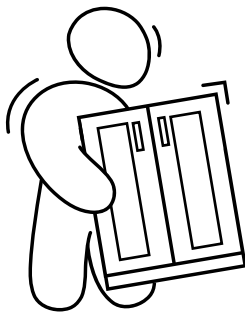
42" Countertop. Fits over 2 Cabinets



63" Countertop. Fits over 3 Cabinets



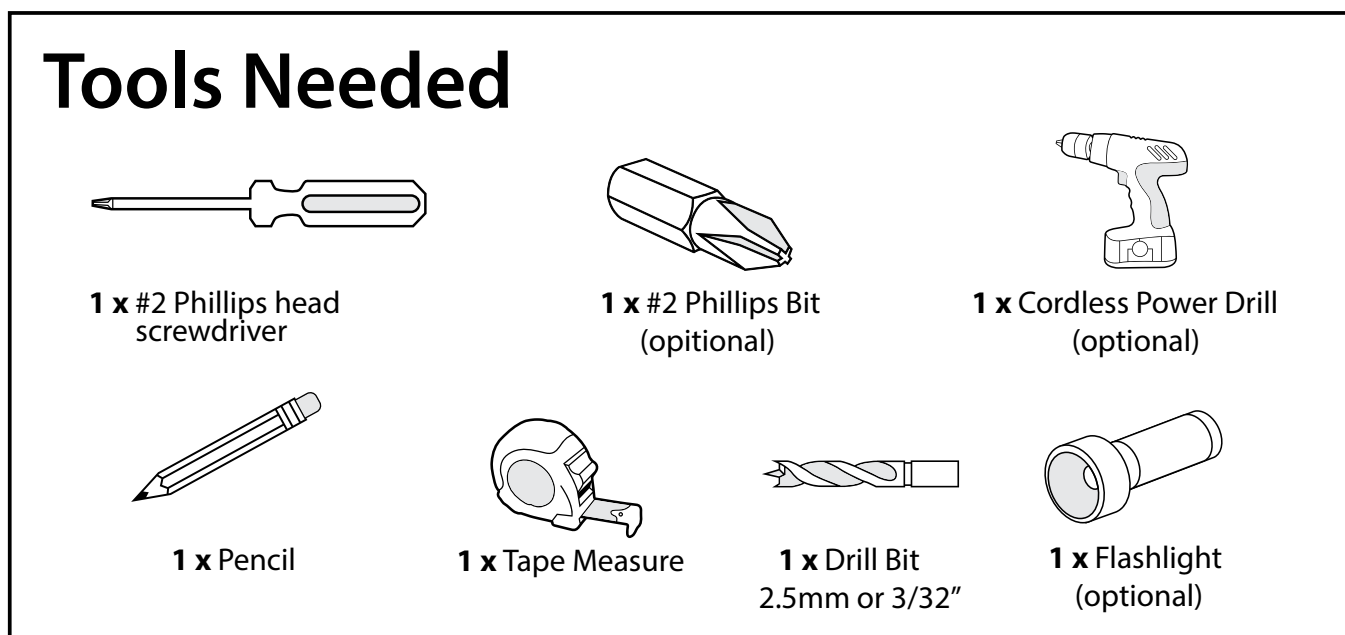
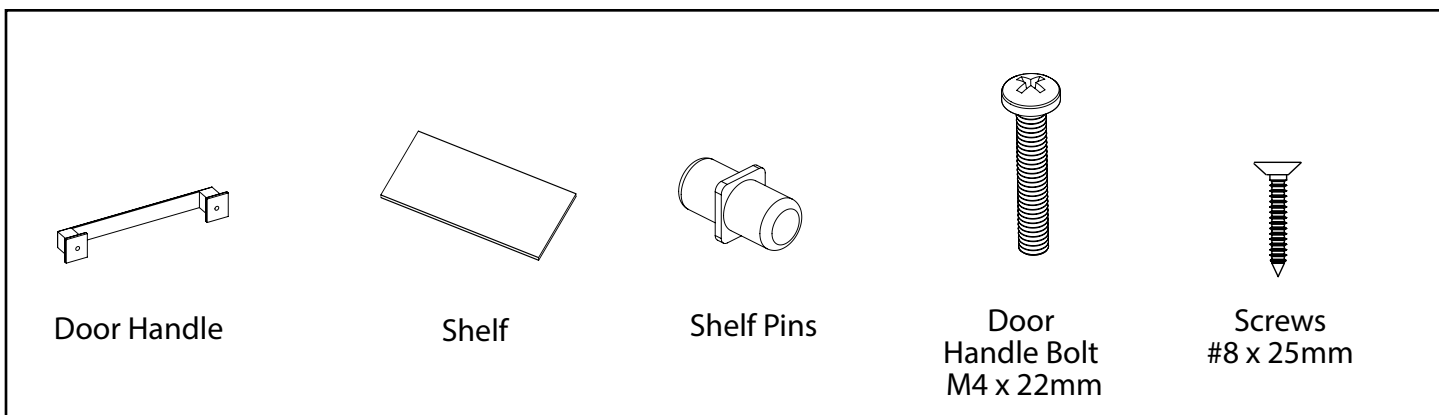
84" Countertop. Fits over 4 Cabinets



Unpacking

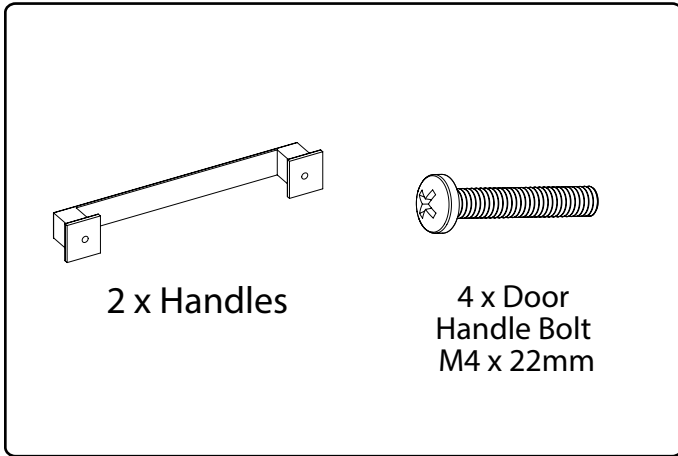
- Begin by placing the package on a covered flat surface.
- Remove all cardboard, foam packaging material and clear plastic bags.
- Dispose / recycle all packaging materials.
- Verify all the contents in the box and gather the required tools. See "Parts" and "Tools Needed" in the list below.

Parts Supplied	Split Cabinet
Door Handles	2
Handle Bolts for Doors (M4x22mm)	4
#8 x 25mm Screws	6
Shelf	1
Shelf Clips	4

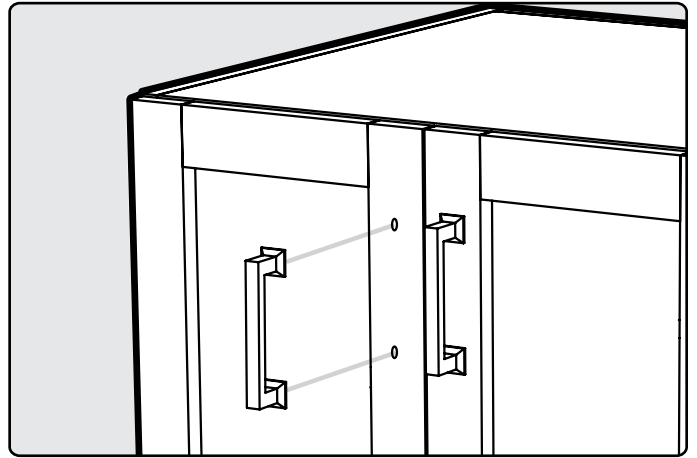


Installing the Handles

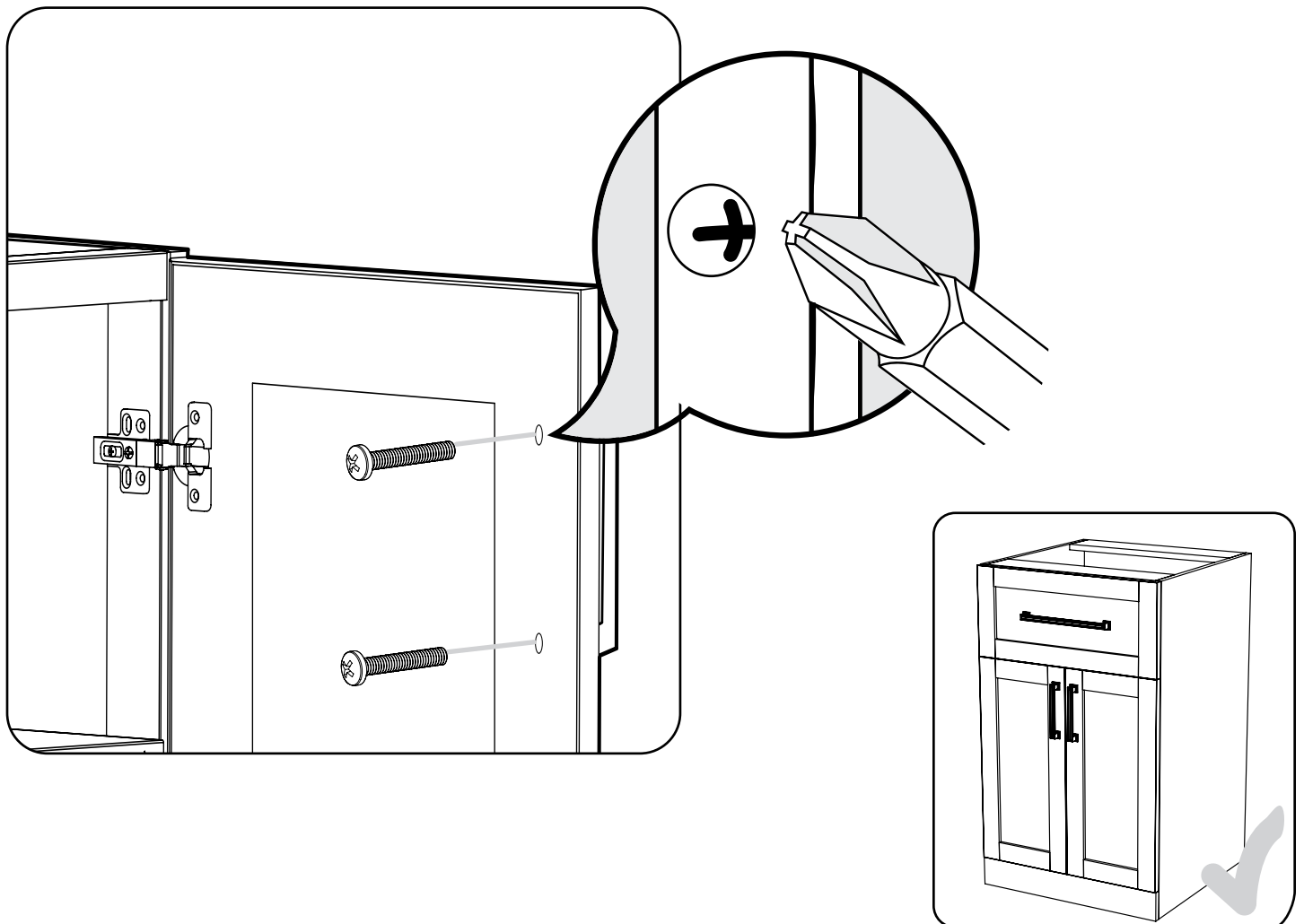
4 Parts Needed.



5 Align handle to holes on doors or drawers.

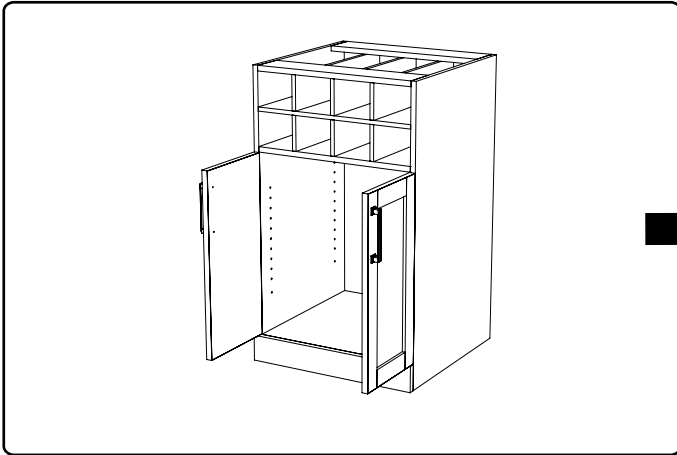


6 Screw in bolts.

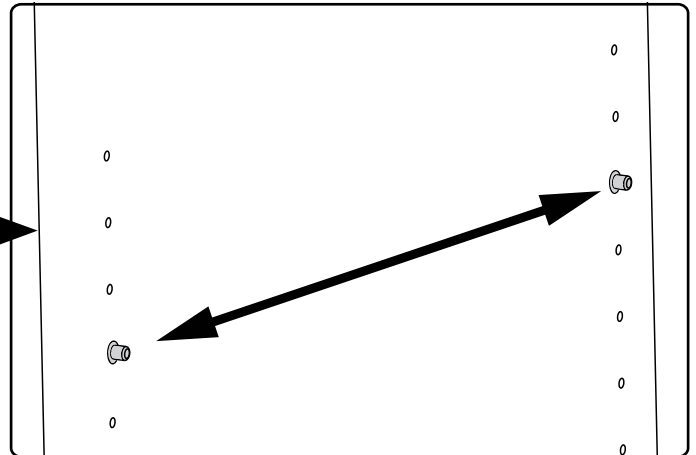


Inserting Shelf

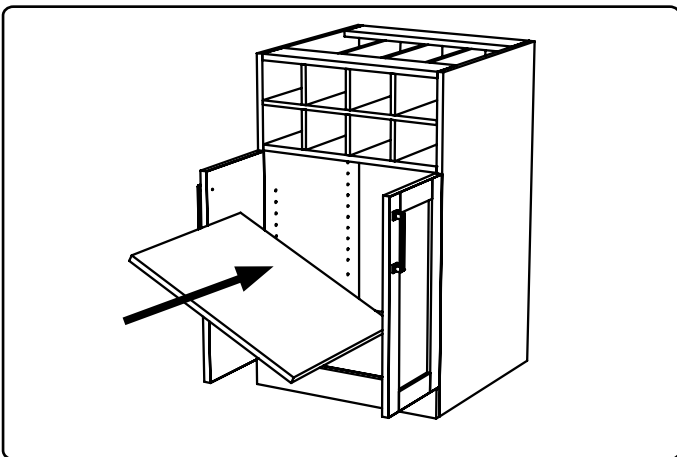
1 Open cabinet doors. Attach shelf clips to desired height.



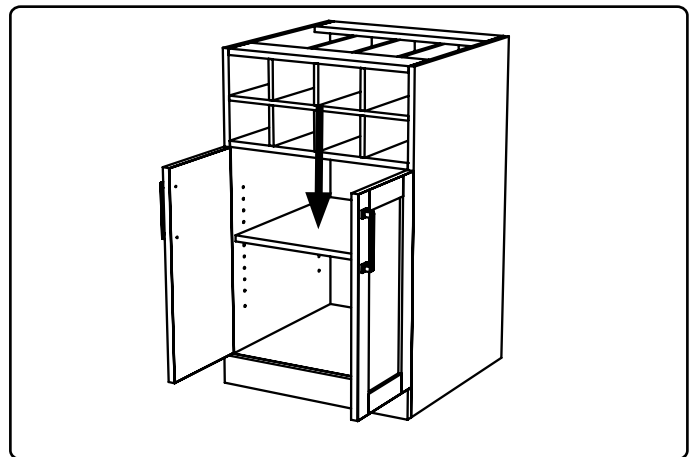
2 Ensure clips are at level height.



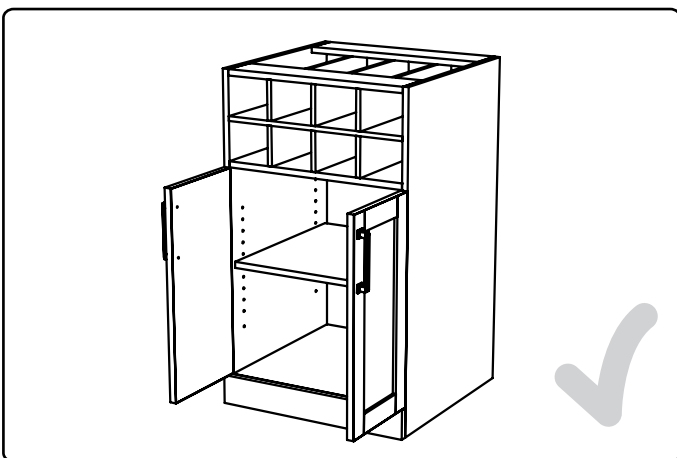
3 Insert shelf at a slight angle.



4 Position over shelf supports . Lower shelf down onto shelf supports.



5



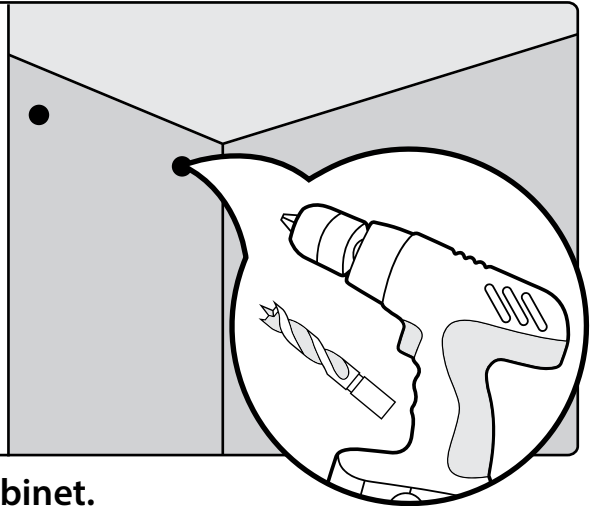
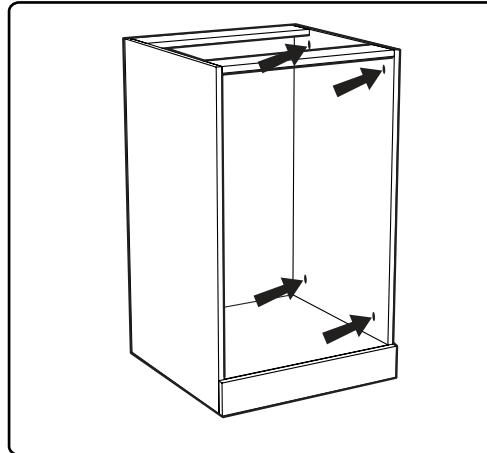
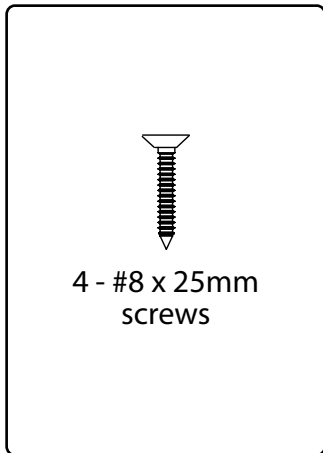
Fastening Cabinets

Note:

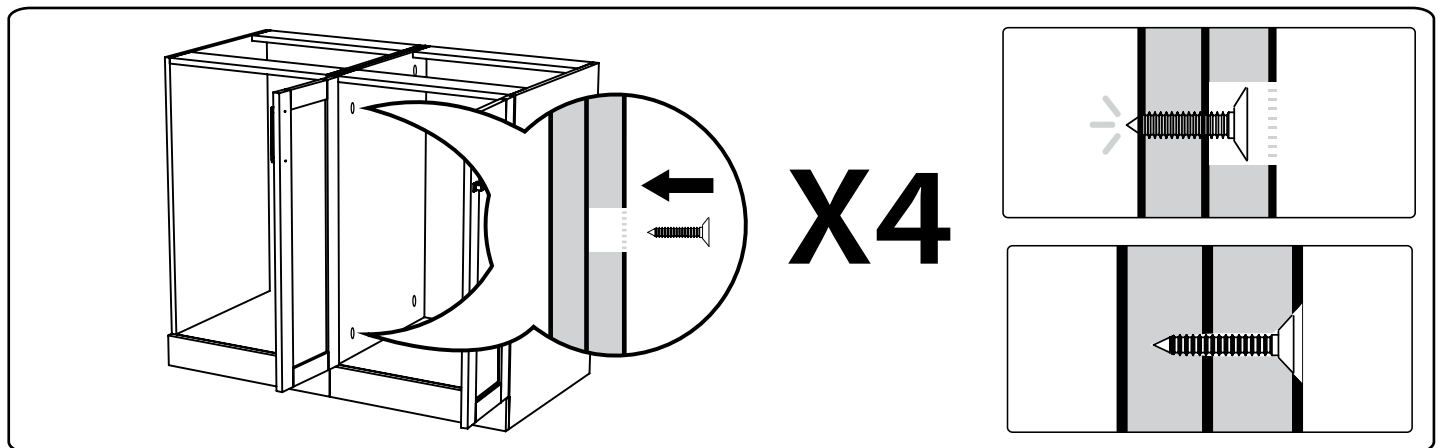
All shelves and drawers must be removed prior to fastening cabinets together.

11 Parts Needed.

12 Drill 3/32 pilot holes on interior wall of cabinet being fastened.

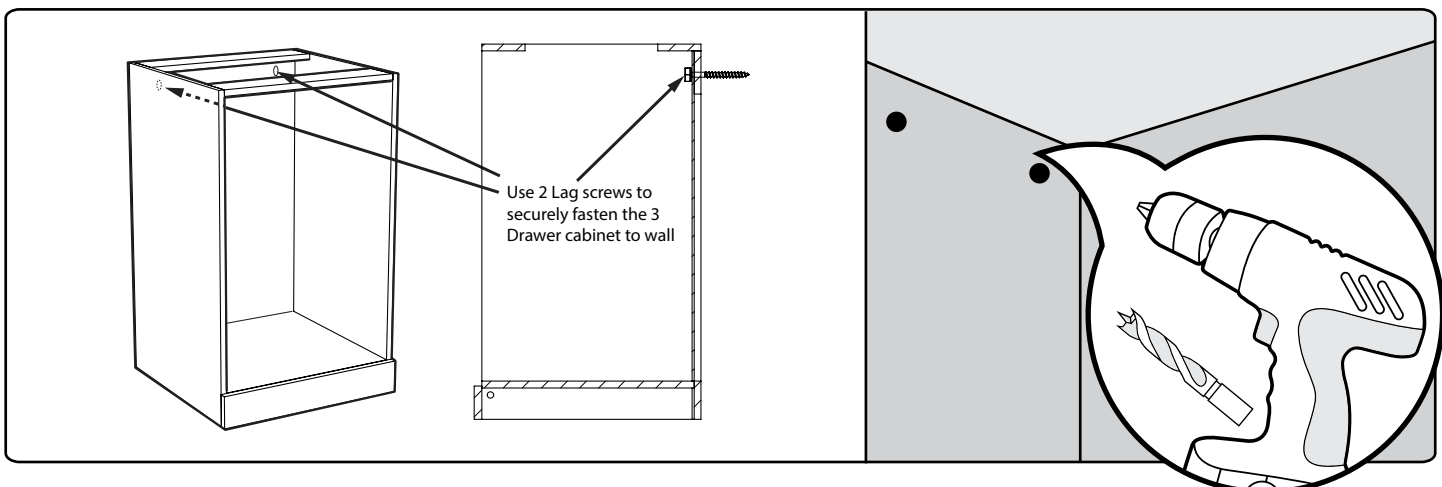


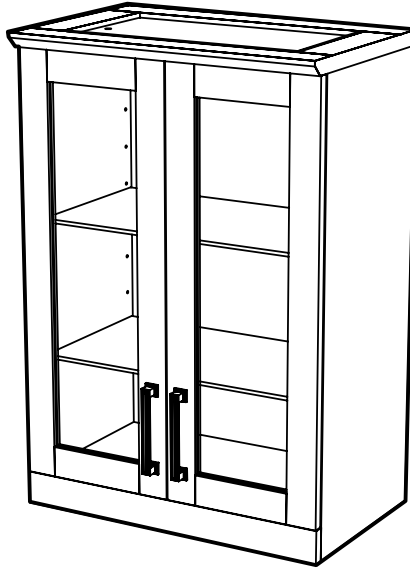
11 Using pilot hole as guides, screw into second cabinet. Do not over-tighten screws and punch through other side!



Securing Cabinet to Wall to prevent tipping

12 To securely fasten the cabinet to the wall, drill 1/4" pilot holes on back inside wall of cabinet. Use 2 lag screws to fasten the cabinet to the wall studs.





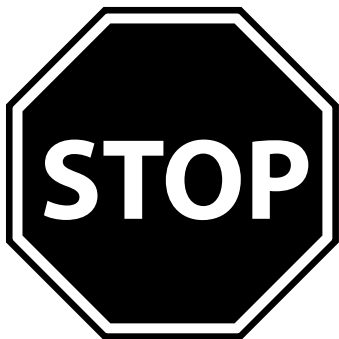
HOME BAR SERIES

21in. SHORT WALL DISPLAY



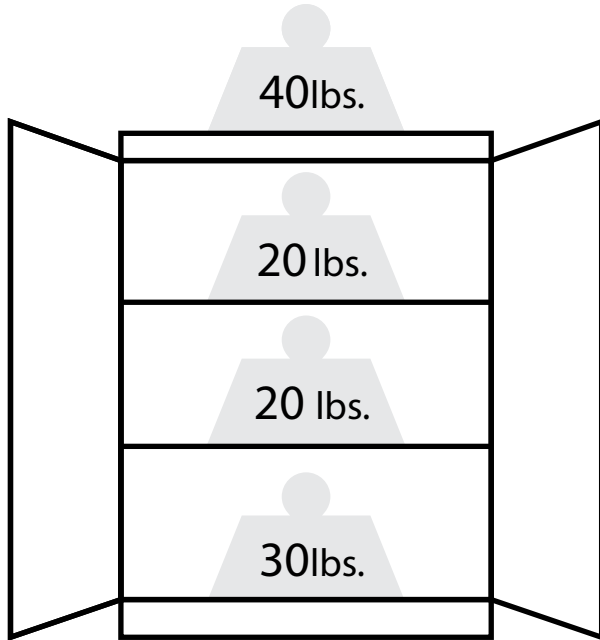
Warning: Excessive weight hazard!

Use two or more people to move, assemble, or install cabinets to avoid back injury. Do not leave children unattended near cabinets. High risk of tipping if cabinets are installed incorrectly: securely attach cabinets to the wall to avoid serious injury. For assistance, call 1.877.306.8930; for U.K 0800.031.4069; e-mail at info@newageproducts.com.



ATTENTION: Is your cabinet damaged? Need help or spare parts? For fastest service, contact NewAge Products at 1-877-306-8930; or support@newageproducts.com. Do not return to the retailer.

Weight Capacity



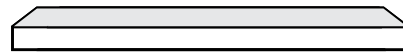
Short Display Cabinet
Max 130lbs.

Countertops

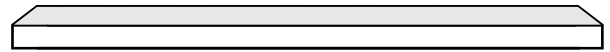
(for Base cabinets only)



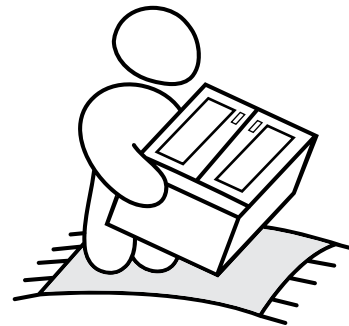
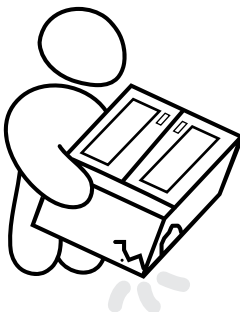
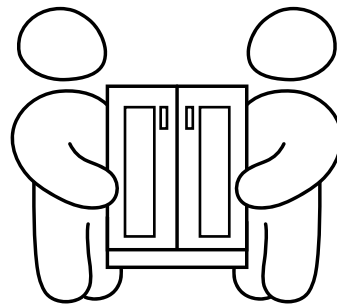
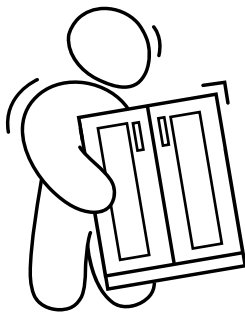
42" Countertop. Fits over 2 Cabinets



63" Countertop. Fits over 3 Cabinets



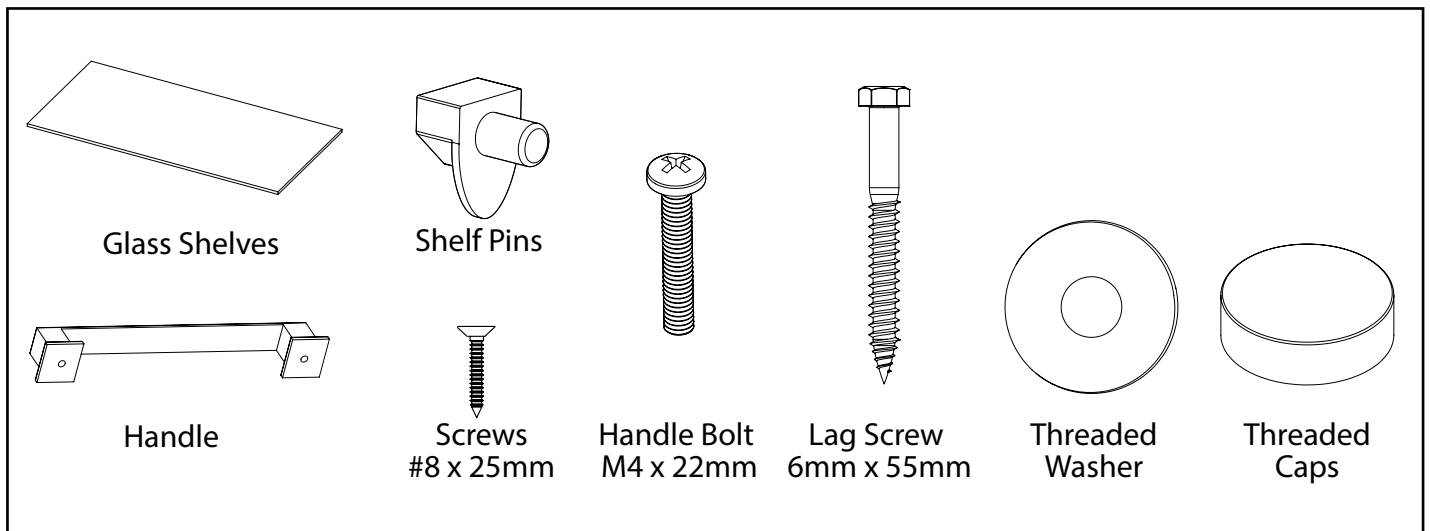
84" Countertop. Fits over 4 Cabinets



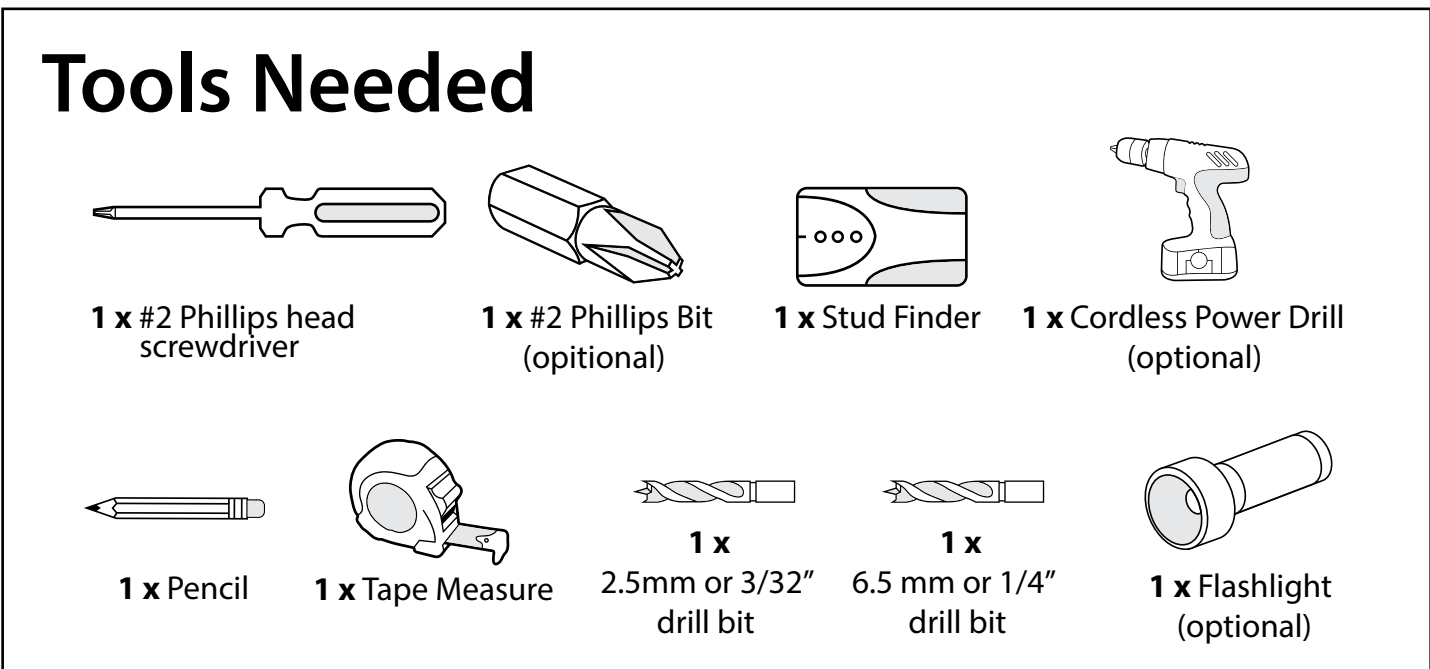
Unpacking

- Begin by placing the package on a covered flat surface.
- Remove all cardboard, foam packaging material and clear plastic bags.
- Dispose / recycle all packaging materials.
- Verify all the contents in the box and gather the required tools.
- See "Parts" and "Tools Needed" in the list below.

Parts Supplied	Short Wall Display Cabinet
Threaded Caps	4
Threaded Washer	4
Handles	2
Handle Bolts (M4 x 22mm)	2
#8 x 25mm Screws	4
Lag Screw (6 mm x 55 mm)	4
Glass Shelves	2
Shelf Pins	10



Tools Needed

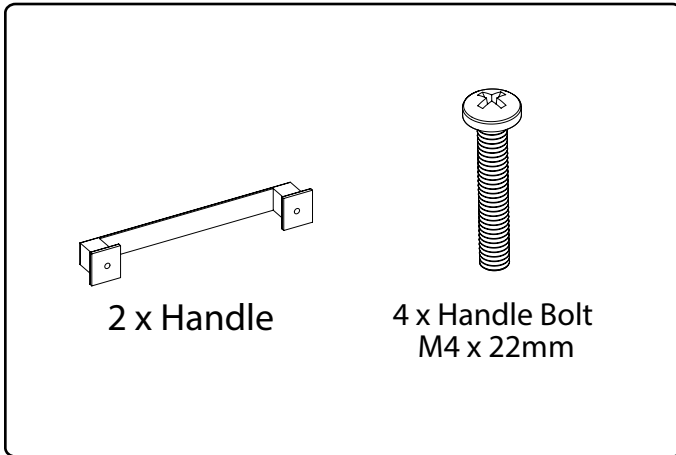


Installing the Handles

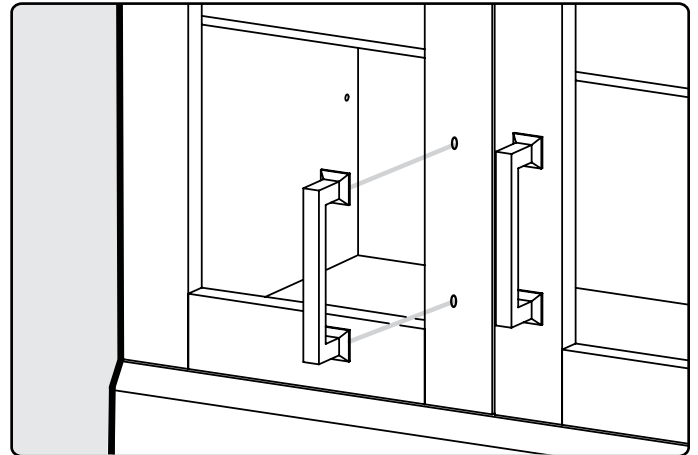
Note:

Cabinets come with handles installed on inside of drawers/doors.

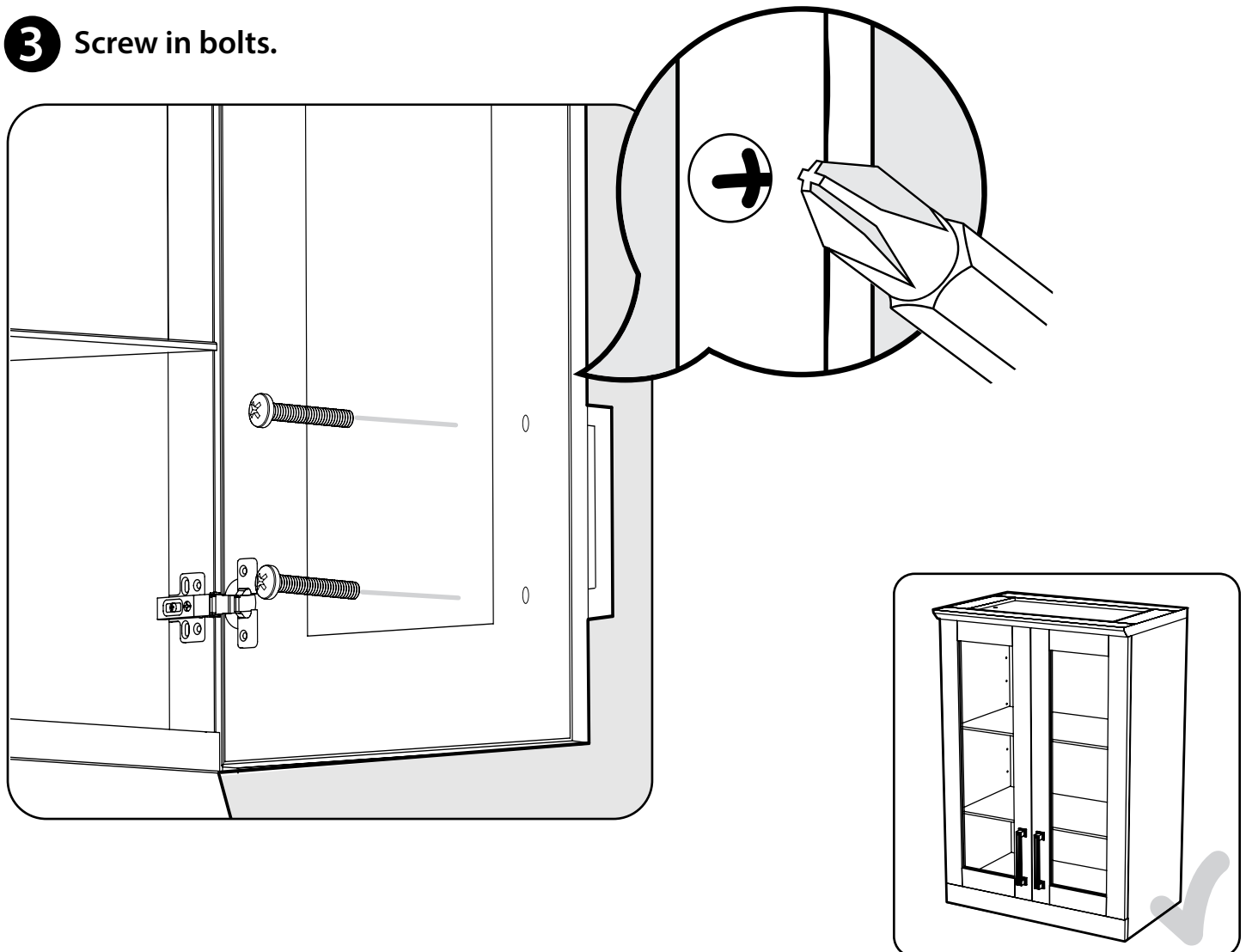
1 Parts Needed.



2 Align handle to holes on doors or drawers.

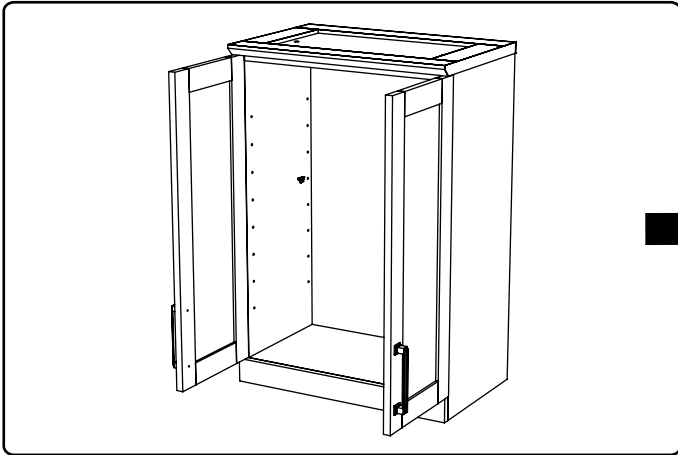


3 Screw in bolts.

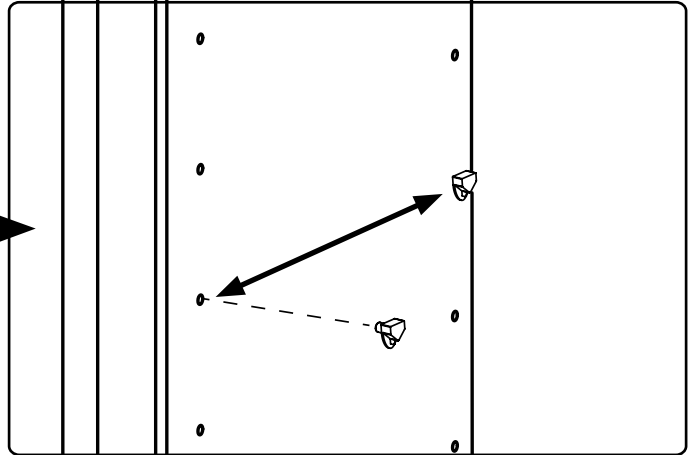


Inserting Glass Shelves

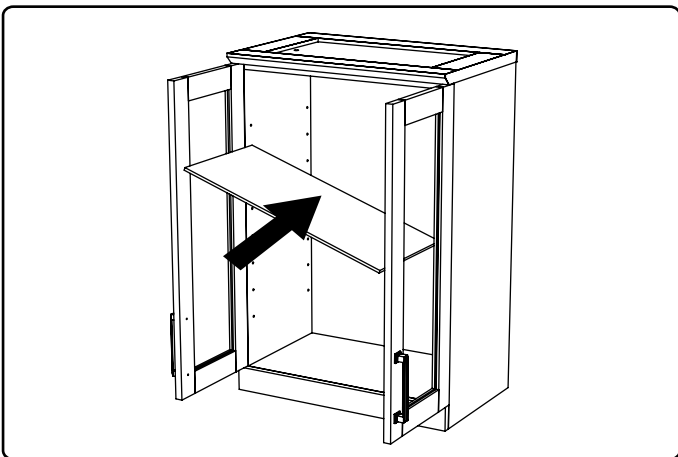
4 Open cabinet doors. Install shelf pins at desired height.



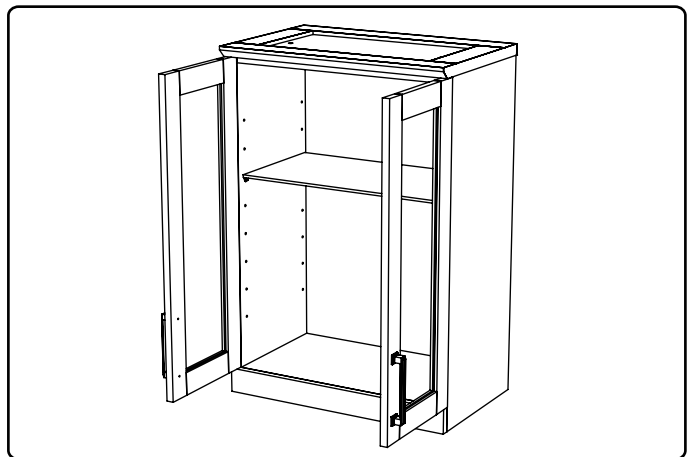
5 Ensure pins are installed at level height.



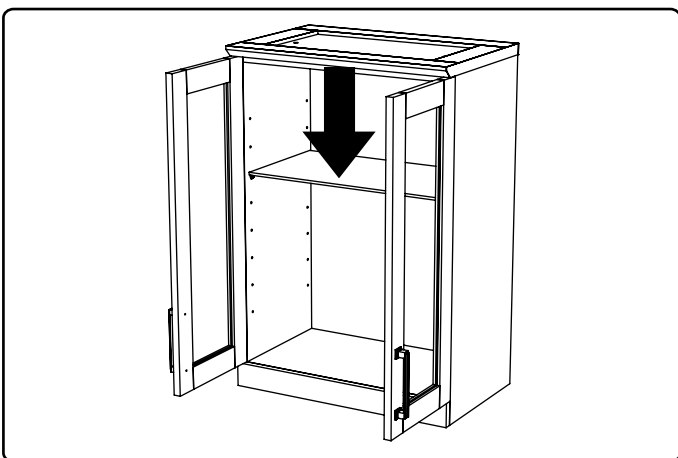
6 Insert glass shelf at a slight angle.



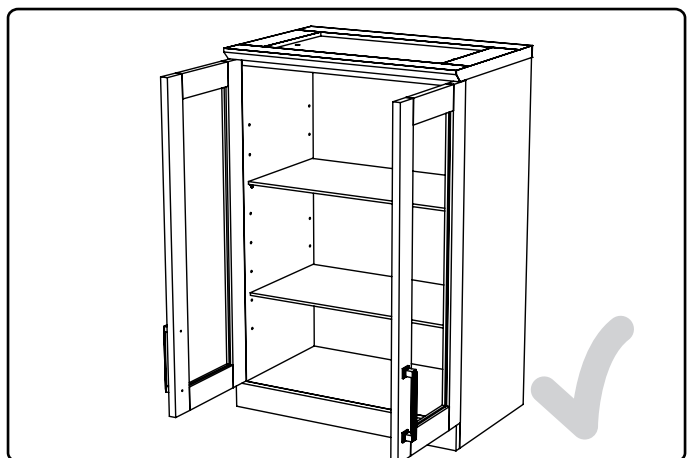
7 Position over shelf supports.



8 Lower shelf down onto shelf supports.

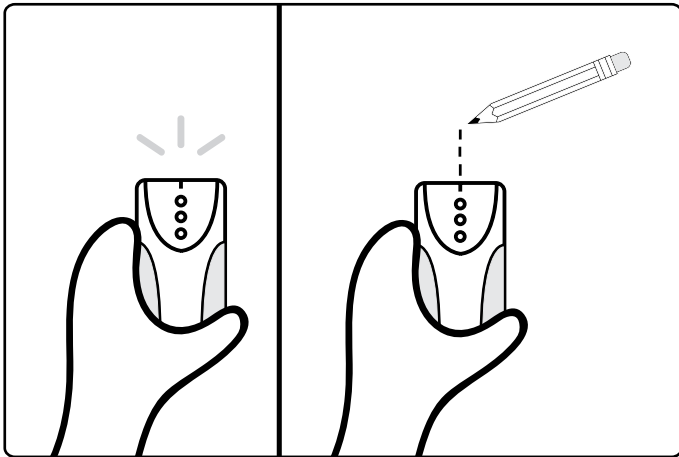


9 Repeat steps 1-4 for second shelf.

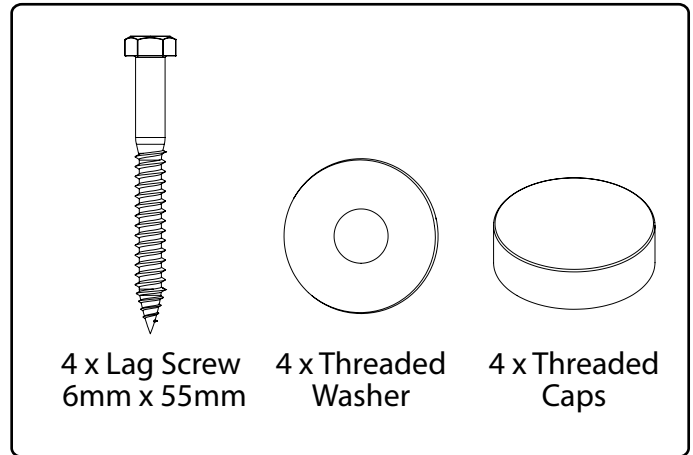


Mounting Cabinets

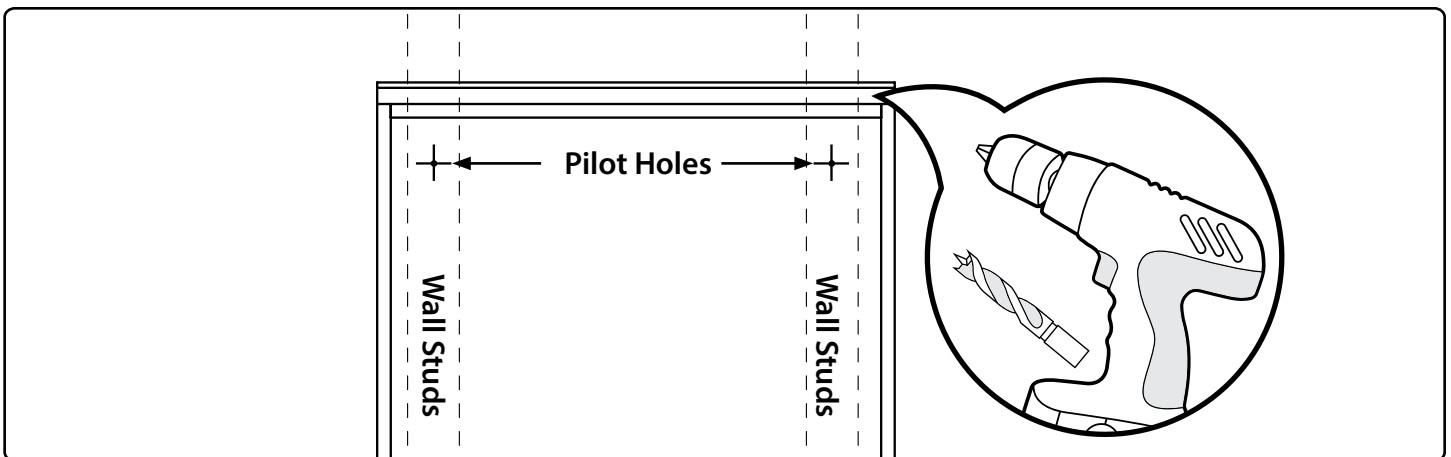
- 10** Use stud finder to locate the studs and mark the wall with a pencil.



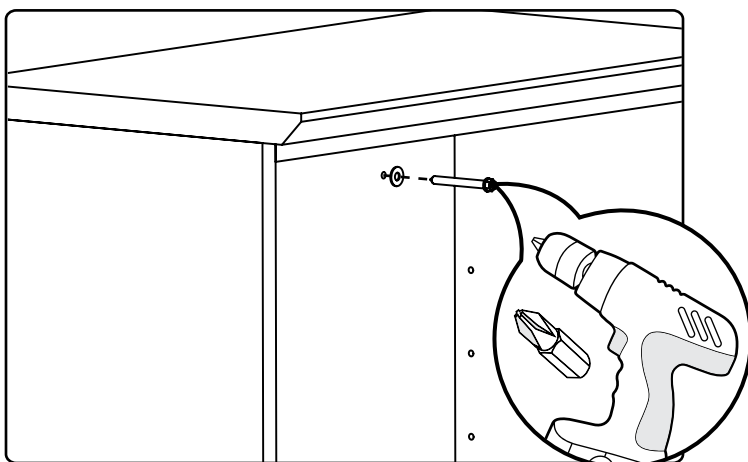
- 11** Gather parts.



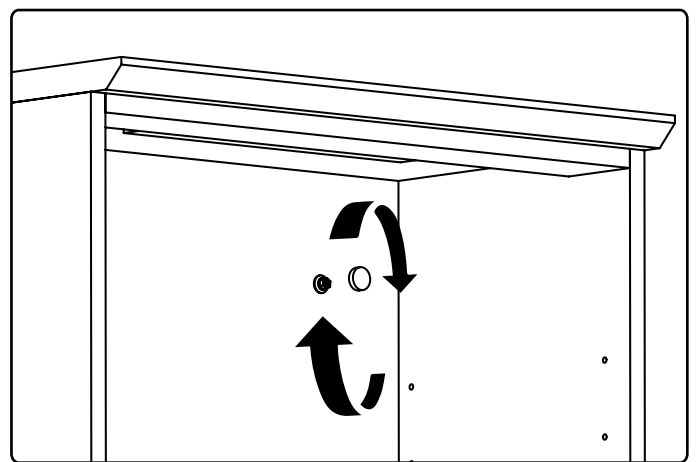
- 12** Near the top of the cabinet, drill 1/4" holes through the back of the cabinet that are in line with marked studs. Repeat for drilling two holes near the bottom of the cabinet.



- 13** Place cabinet flush against wall and attach using screws and washers.



- 14** Use threaded caps to cover screws.

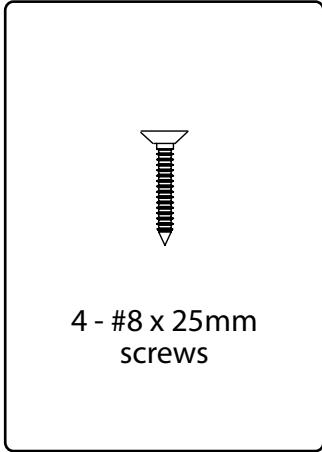


Fastening Cabinets

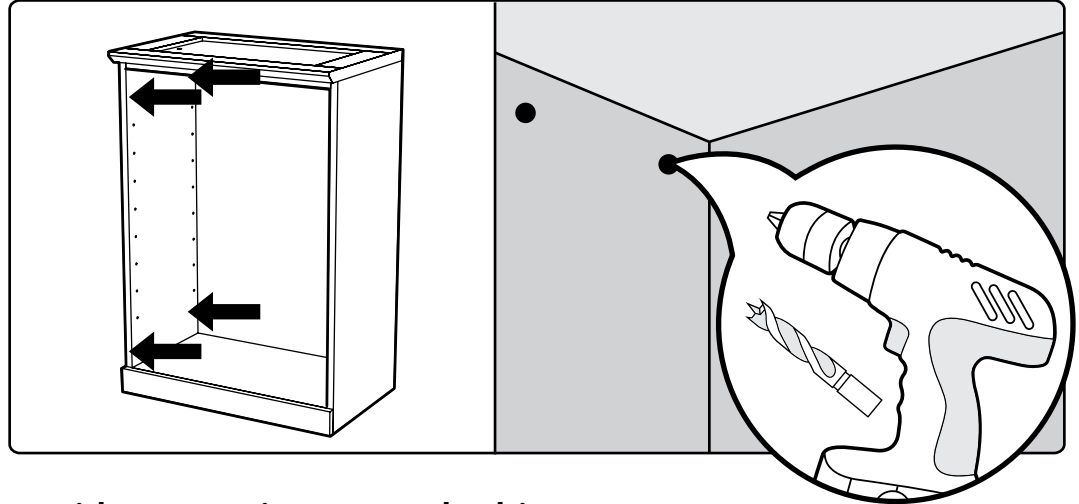
Note:

All shelves must be removed prior to fastening cabinets together.

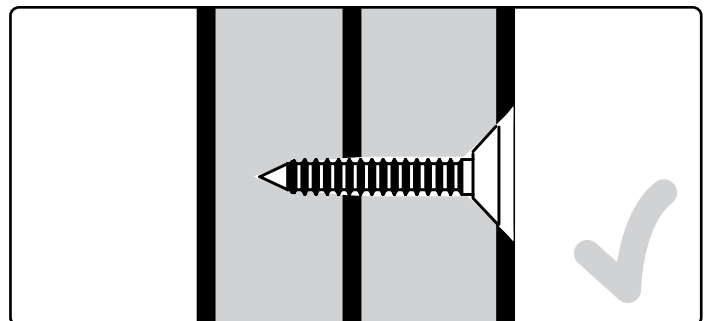
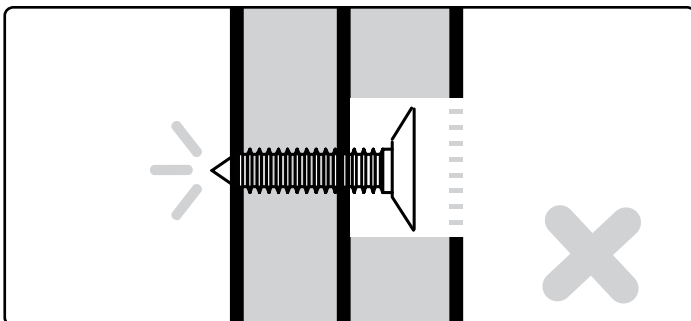
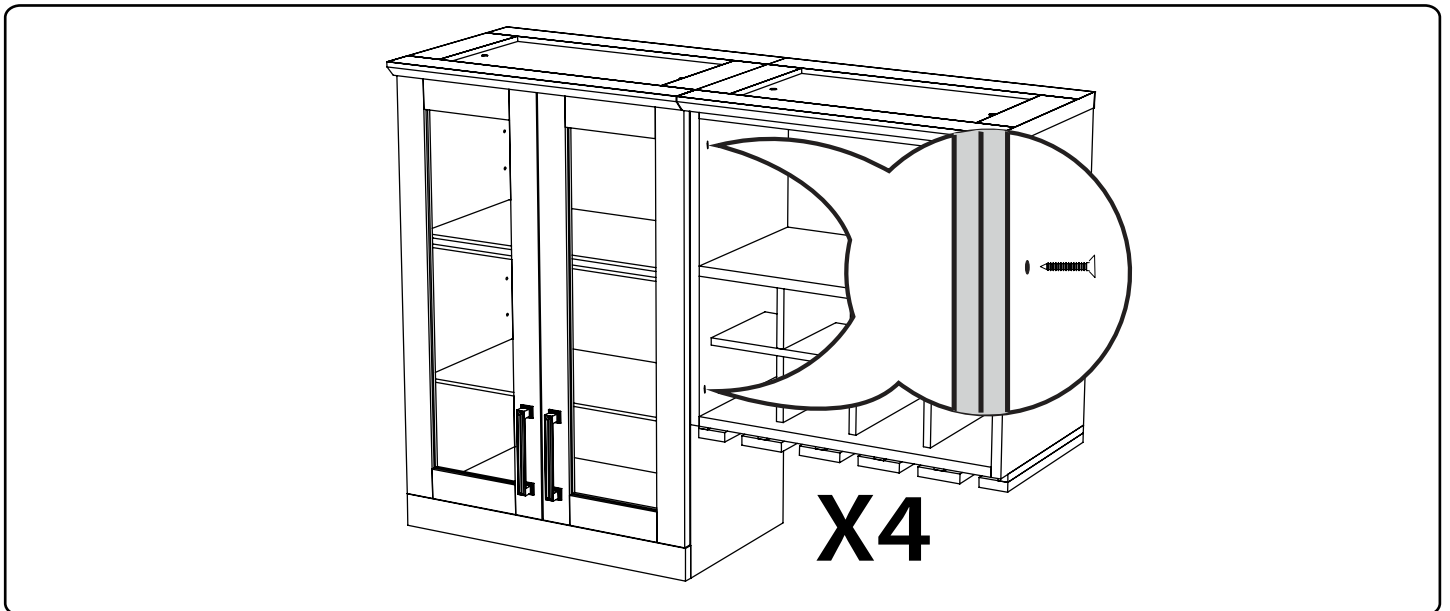
15 Parts Needed.



16 Drill 3/32" pilot holes on interior wall of cabinet being fastened.



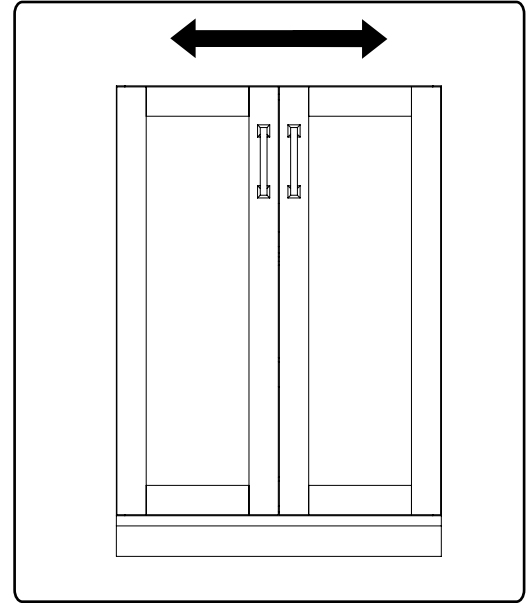
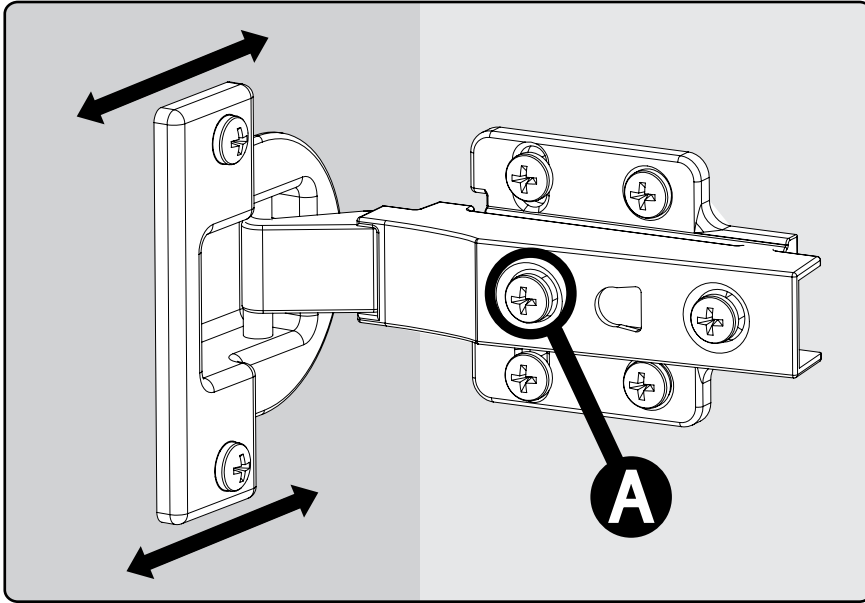
17 Using pilot hole as guides, screw into second cabinet. Do Not Over-tighten screws and Punch through other side!



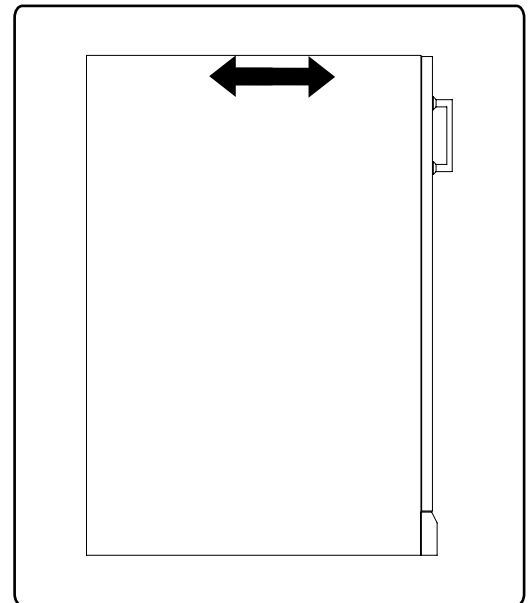
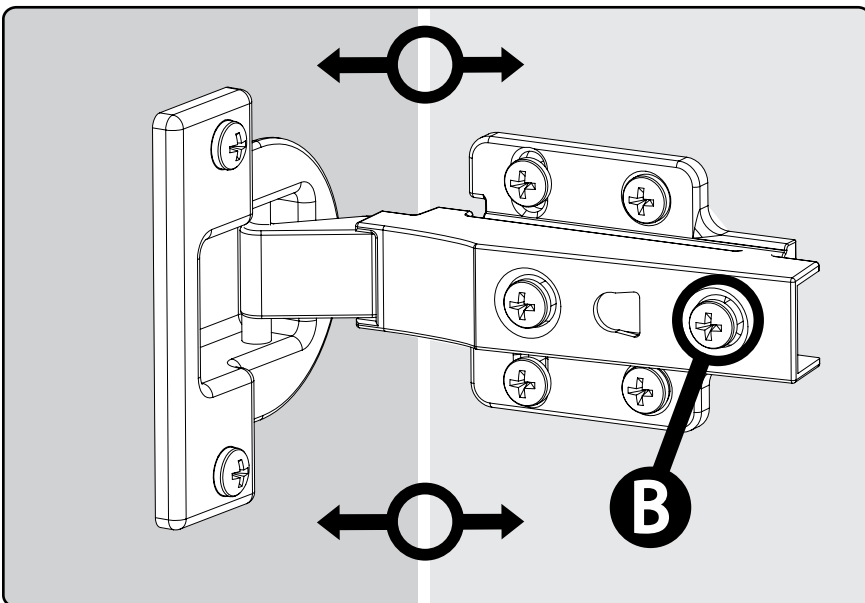
Adjusting The Door Hinges

Using a Philips screwdriver, the doors can be adjusted:
Left, right, forwards and backwards.

18 To adjust the doors left or right, turn the screw (A) clockwise or counterclockwise.



19 To adjust the gap between the doors and frame, turn the screw (B) clockwise or counterclockwise.



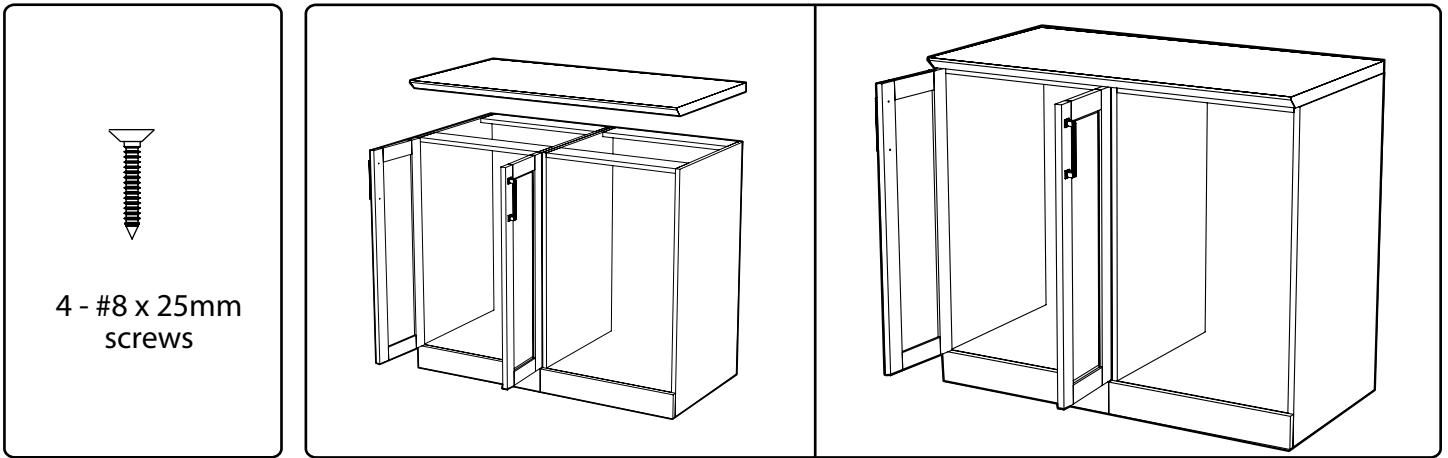
Thank you for purchasing a NewAge Product!

Please give us a call or visit online if you have any questions.

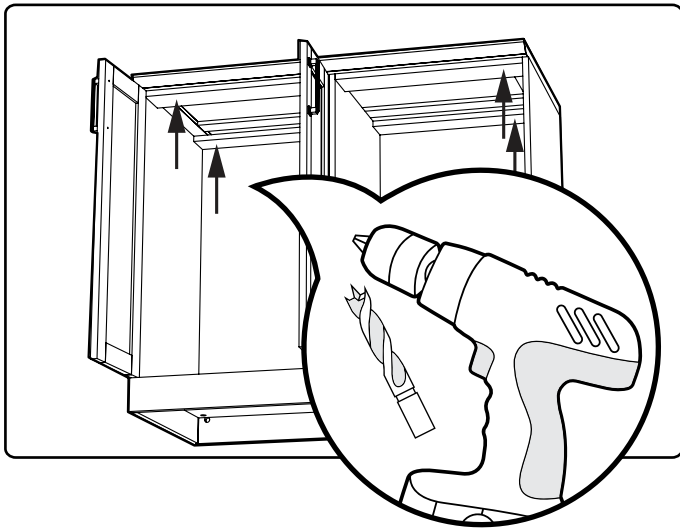
Call 1.877.306.8930; for UK 0800.031.4069; e-mail at info@newageproducts.com

Mounting the Worktop

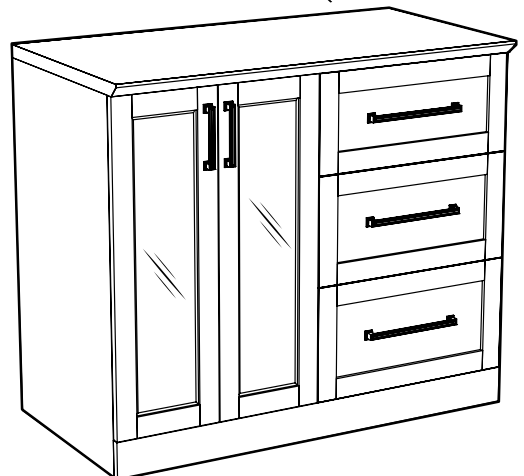
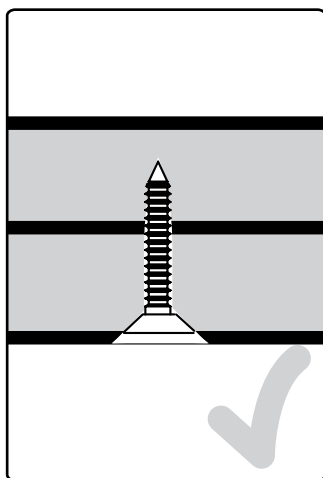
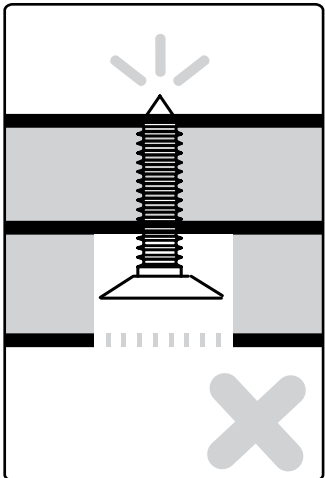
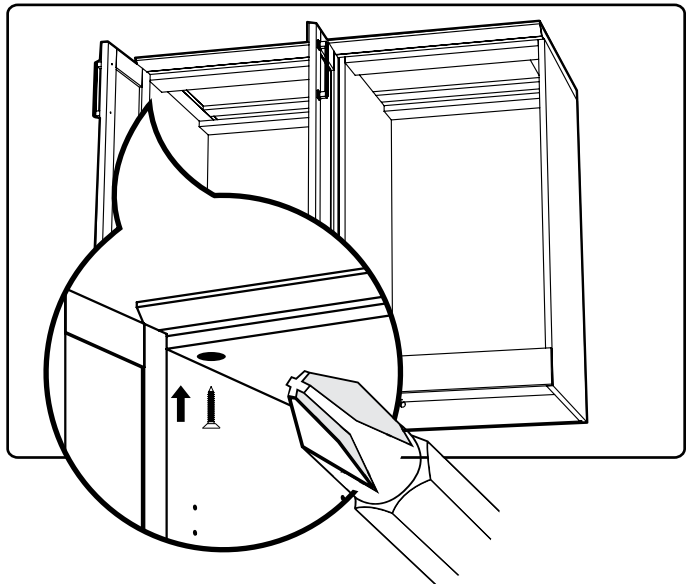
13 Place worktop over cabinets and lower onto cabinets.



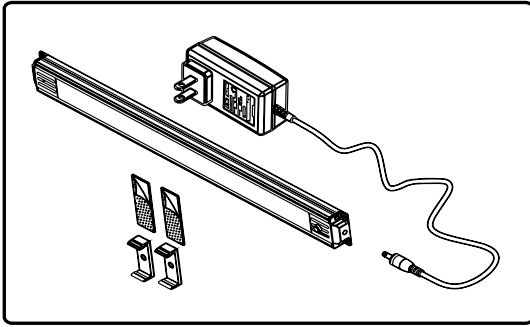
14 Drill 4, 3/32" pilot holes on interior roof of cabinet.



15 Tighten screws to secure cabinets.

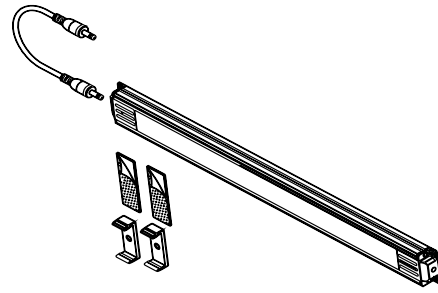


LED Light Guide



LED Light with power Adapter
SKU# 60836/60838

The adapter kit is used to connect to the electrical outlet, and contains the power on/off switch for the LED lights. It is used when one single light unit is needed or as the first light used when linking multiple light units together. It controls on/off power for all light units linked to it. Includes adapter, LED light, plastic clips, and double sided tape.



LED Light with Connector wire
SKU# 60837/60839

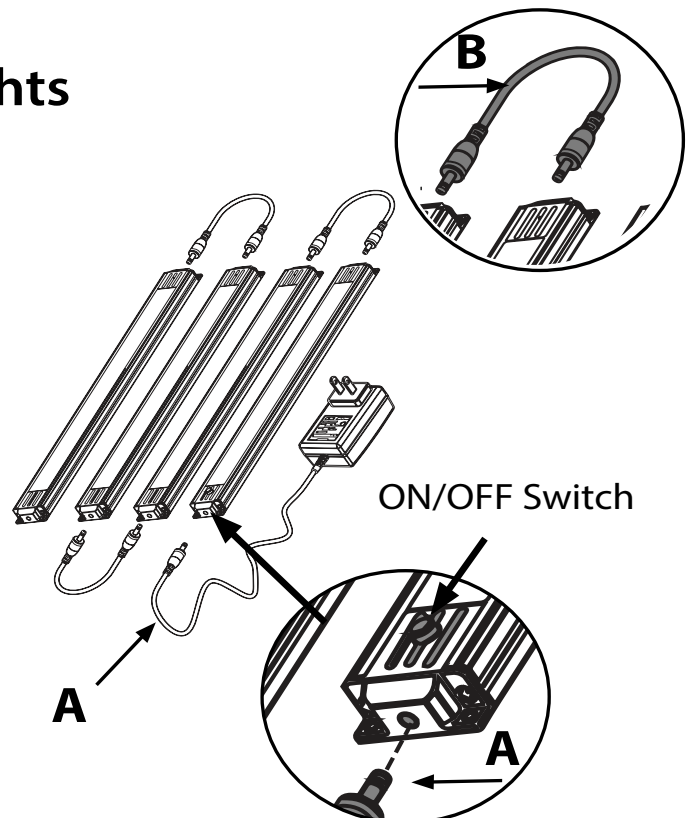
The connector kit is used when additional light units (up to 4) want to be linked together. It works in conjunction with and is controlled by the LED light with power adapter unit. Includes double sided tape and plastic clips.

How to connect the LED Lights

For LED Lights to work correctly, the adapter cable (A) must connect to end with on/off switch, for LED Light to be operational. Use connector cords (B) to connect additional lights. Up to 4 LED lights can be connected to one Power adapter cord (A).

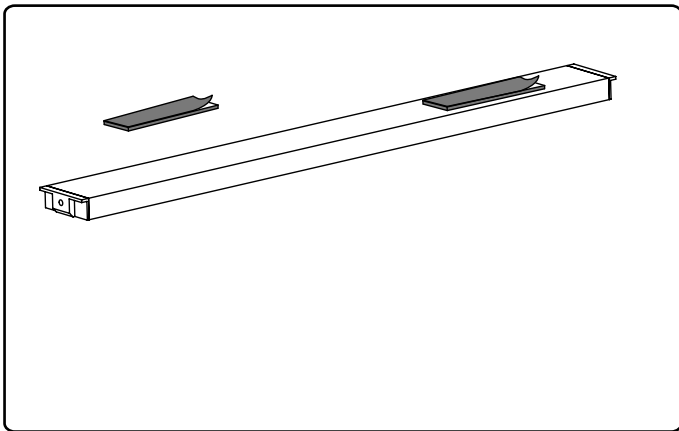
NOTE: For Wall Switch Operation

If you are using a switch controlled power outlet to operate the LED Lights, the power adapter cord needs to plug into the end opposite the ON/OFF switch end.

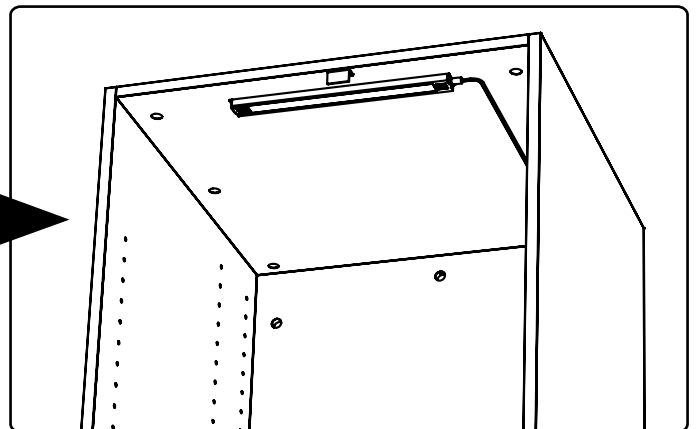
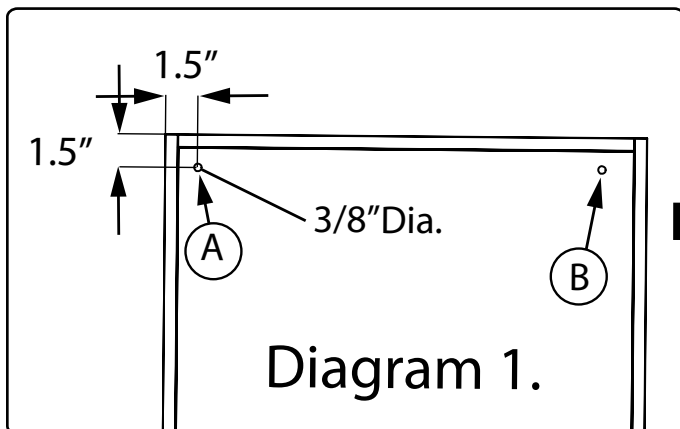


Installing LED Lights for Display Cabinets

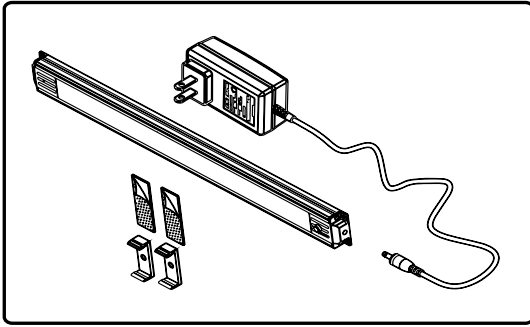
- 1** Method 1. Using double sided tape provided. Attach double sided tape to back of LED light bar. Peel backing off.



- 2** For bottom Display cabinet drill holes on back panel following Diagram 1. The hole can be placed on either side of cabinet at point A. or B., depending on outlet location. Using installation method from Steps 2 or 5 above center and install LED light 3 - 4 inches in from front.

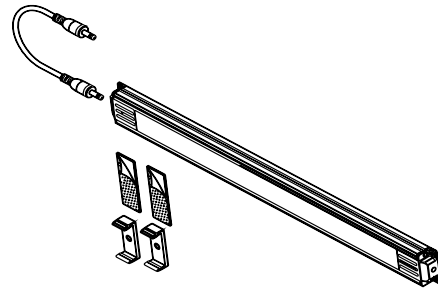


LED Light Guide



LED Light with power Adapter
SKU# 60836/60838

The adapter kit is used to connect to the electrical outlet, and contains the power on/off switch for the LED lights. It is used when one single light unit is needed or as the first light used when linking multiple light units together. It controls on/off power for all light units linked to it. Includes adapter, LED light, plastic clips, and double sided tape.



LED Light with Connector wire
SKU# 60837/60839

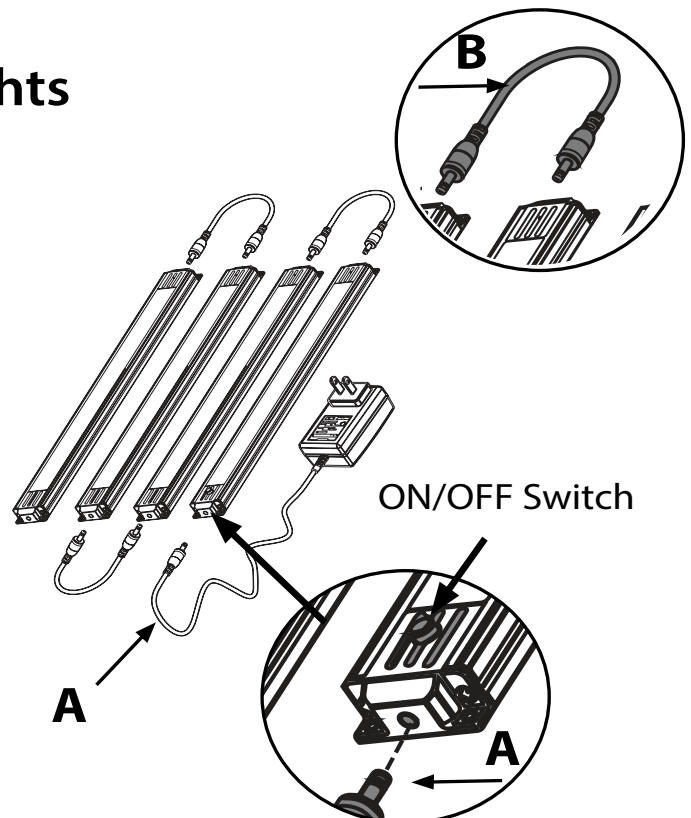
The connector kit is used when additional light units (up to 4) want to be linked together. It works in conjunction with and is controlled by the LED light with power adapter unit. Includes double sided tape and plastic clips.

How to connect the LED Lights

For LED Lights to work correctly, the adapter cable (A) must connect to end with on/off switch, for LED Light to be operational. Use connector cords (B) to connect additional lights. Up to 4 LED lights can be connected to one Power adapter cord (A).

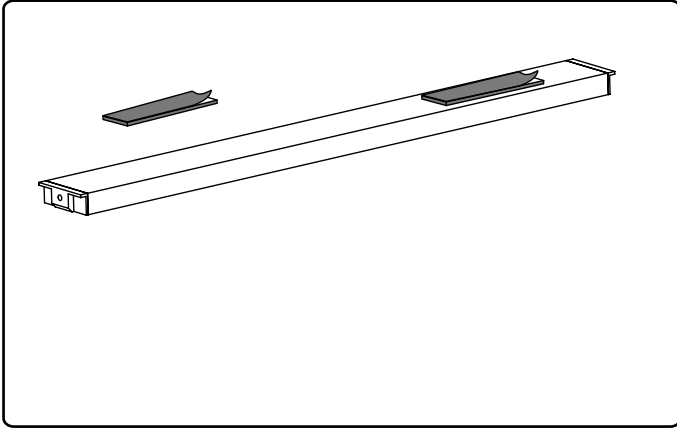
NOTE: For Wall Switch Operation

If you are using a switch controlled power outlet to operate the LED Lights, the power adapter cord needs to plug into the end opposite the ON/OFF switch end.

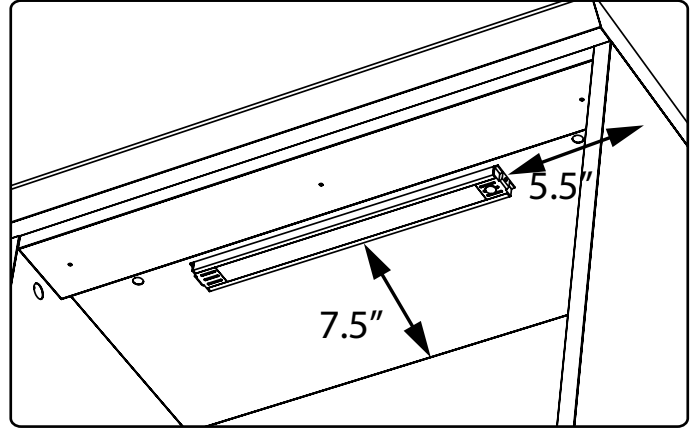


Installing LED Lights for Wall Cabinets

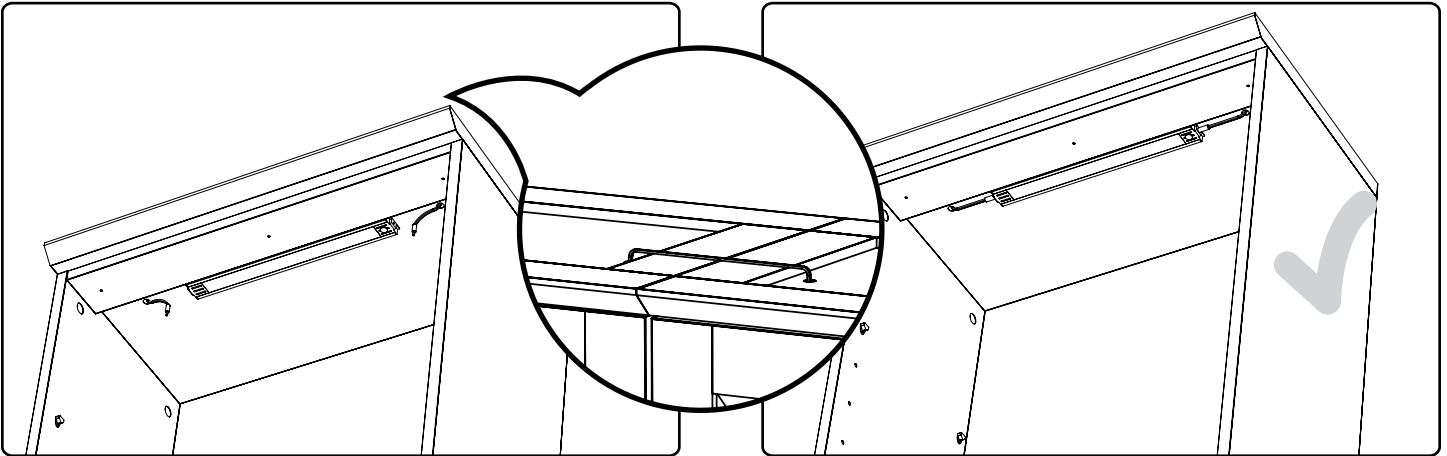
- 1** Method 1. Using double sided tape provided. Attach double sided tape to back of LED light bar. Peel backing off.



- 2** Center and press firmly 5.5", in from walls and 7.5", in from back wall.



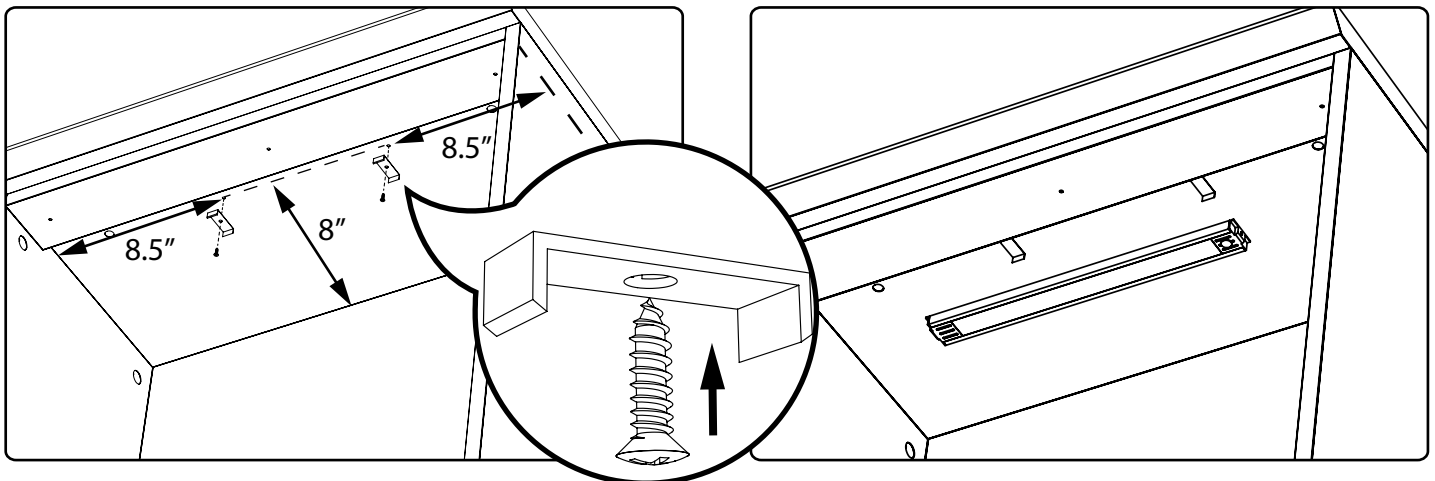
- 3** Feed connector cable through pre-drilled holes on tops of cabinet and connect at ends of LED light strips.



Installing LED Lights for Wall Cabinets cont.

- 4** Method 2. Using clips provided. Predrill 3/32 holes, 8.5" in from side walls and 8" in from back wall. Attach clips using screws included in packaging.

- 5** Clip LED light strip into clips. Return to Step 4. for connecting light string.



Manufacturer One Year Limited Warranty

When this product is installed, operated and maintained according to the instructions attached to or furnished with the product, NewAge Products Inc. will replace the defective product or parts if the part fails as a result of defective materials or workmanship for a period of One Year from the purchase date of the product.

NEWAGE PRODUCTS INC. WILL NOT PAY FOR:

1. Service calls to correct the installation of any NewAge products or to instruct you how to use or install them.
2. Damage resulting from products damaged by accident, misuse, abuse, fire, flood, improper installation, acts of God, neglect, modification or mishandling.
3. Products damaged by improperly loading beyond the specified maximum weight capacity outlined in the instructions provided with the product.
4. Repairs or replacement when your product is used in other than normal, single-family household use, such as a commercial environment, or handled in anyway inconsistent with the installation instructions included with the product.
5. Surfaces damaged due to chemical interaction.
6. Replacement parts for NewAge products outside Canada, The United States, or the UK.
7. Loss of product contents due to theft, fire, flood, accident or acts of God.
8. Shipping or freight fees to deliver replacement products or to return defective products.
9. Any labor costs during the limited warranty period.

DISCLAIMER OF IMPLIED WARRANTIES; LIMITATION OF REMEDIES



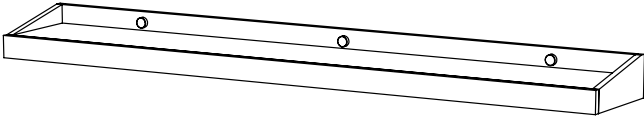
IMPLIED WARRANTIES, INCLUDING TO THE EXTENT APPLICABLE WARRANTIES OF MERCHANTABILITY OR FITNESS FOR A PARTICULAR PURPOSE, ARE EXCLUDED TO THE EXTENT LEGALLY PERMISSIBLE. ANY IMPLIED WARRANTIES THAT MAY BE IMPOSED BY LAW ARE LIMITED TO ONE YEAR, OR THE SHORTEST PERIOD ALLOWED BY LAW. SOME STATES AND PROVINCES DO NOT ALLOW LIMITATIONS OR EXCLUSIONS ON HOW LONG AN IMPLIED WARRANTY OF MERCHANTABILITY OR FITNESS LASTS, SO THE ABOVE LIMITATIONS OR EXCLUSIONS MAY NOT APPLY TO YOU. THIS WARRANTY GIVES YOU SPECIFIC LEGAL RIGHTS, AND YOU MAY ALSO HAVE OTHER RIGHTS WHICH VARY FROM STATE TO STATE OR PROVINCE TO PROVINCE

Thank you for purchasing a NewAge Product!

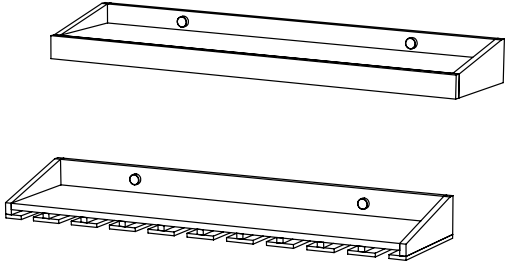
Please give us a call or visit online if you have any questions.

Call 1.877.306.8930; for UK 0800.031.4069; e-mail at info@newageproducts.com

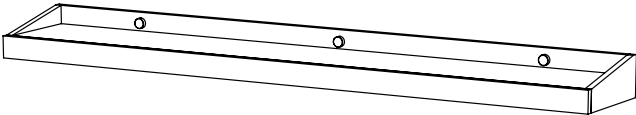
63" Shelf



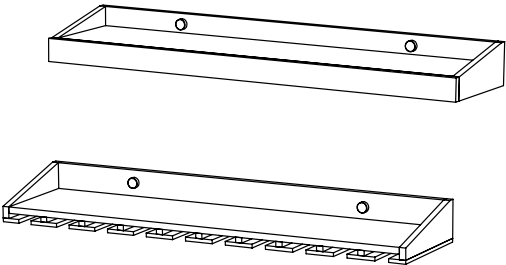
42" Shelves



72" Shelf



48" Shelves



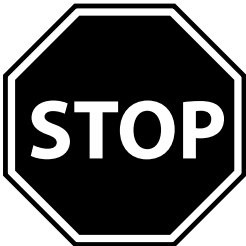
HOME BAR SHELF SYSTEM



WARNING:

Use two or more people to move, assemble or install the shelf system to avoid back or other injury. Follow instructions carefully and routinely inspect your system to ensure all components are fastened securely.

For assistance, call 1.877.306.8930; for U.K 0800.031.4069; e-mail at info@newageproducts.com.



ATTENTION:

Is your product damaged?
Need help or spare parts? For fastest service, contact NewAge Products at 1-877-306-8930; for U.K 0800-031-4069 or support@newageproducts.com.
Do not return to the retailer.

Index

[Tools Needed/ Weight Capacity](#) 3

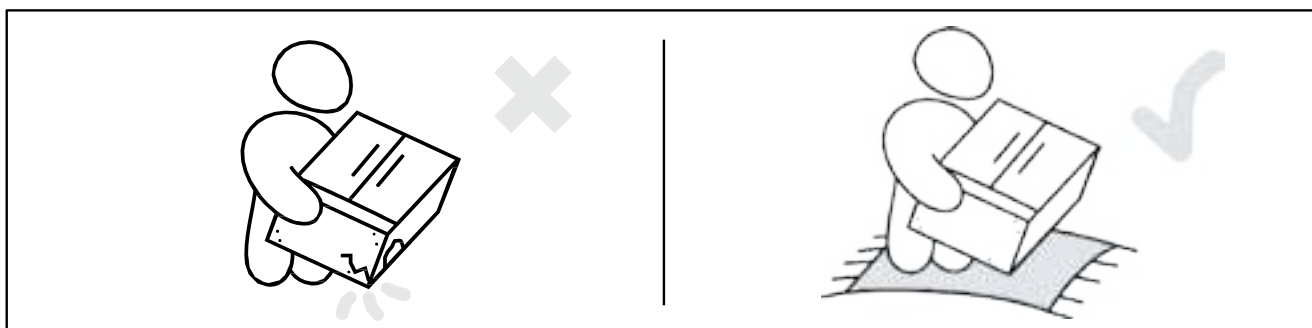
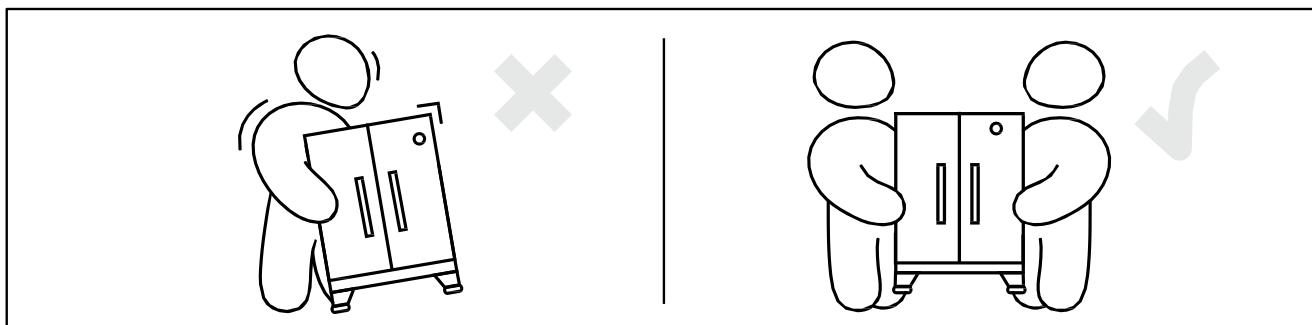
[Warranty](#) 4

[Parts Supplied](#) 5

[Installing Shelf System to drywall](#) 6-7

Unpacking

- Begin by placing the package on a covered flat surface.
- Remove all cardboard, foam packaging material and clear plastic bags.
- Dispose / recycle all packaging materials.
- Verify all the contents in the box and gather the required tools. See “Tools Needed”, and “Parts Supplied” list.

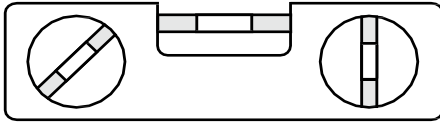


Thank you for purchasing a NewAge Product!

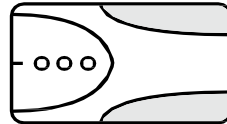
Please give us a call or visit online if you have any questions.

Call 1.877.306.8930; for UK 0800.031.4069; e-mail at info@newageproducts.com

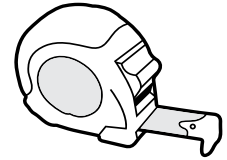
Tools Needed



1 x 24"-48" Level



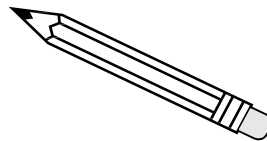
1 x Stud Finder



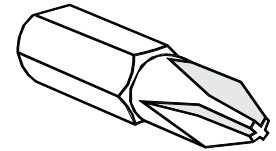
1 x Tape Measure



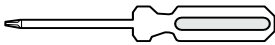
1 x Cordless Power Drill



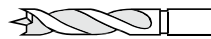
1 x Pencil



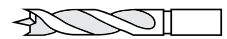
1 x #2 Phillips Bit



1 x #2 Phillips head screwdriver

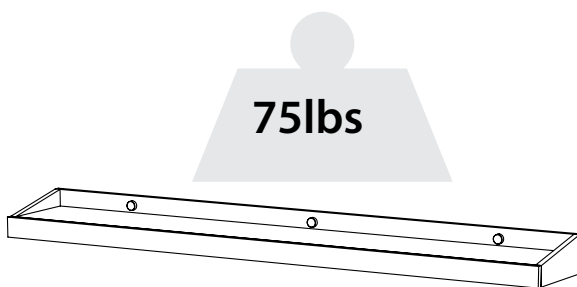


1 x 3 mm or 1/8" Drill Bit

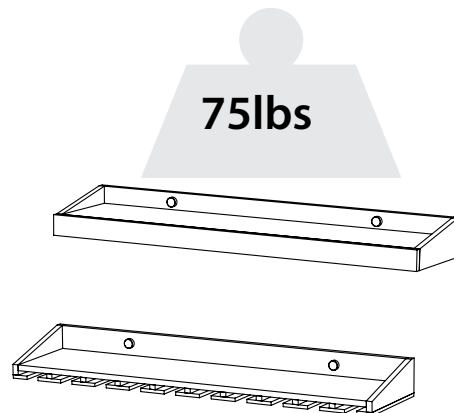


1 x 2.5mm or 3/32" drill bit

Weight Capacity



For 63" and 72" shelves



For 42" and 48" shelves

Parts Supplied

	42" Floating Shelf	42" Floating Wine Glass Shelf	63" Floating Shelf	48" Floating Shelf	48" Floating Wine Glass Shelf	72" Floating Shelf
Shelf	1	1	1	1	1	1
Lag Screws (6mm x 55mm)	2	2	3	2	2	3
Threaded Washers	2	2	3	2	2	3
Threaded screw cover	2	2	3	2	2	3



Lag Screw



Threaded Screw Cover



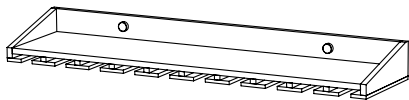
Threaded Washer

42" Shelf System

42" Floating Shelf

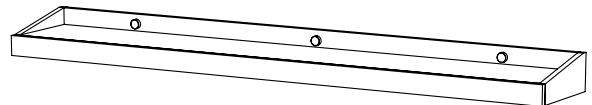


42" Floating Wine Glass Shelf



63" Shelf System

63" Floating Shelf

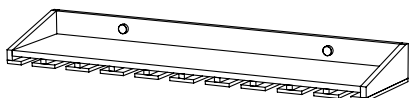


48" Shelf System

48" Floating Shelf

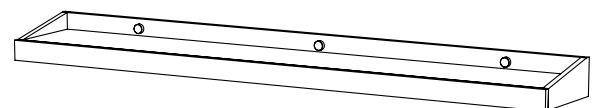


48" Floating Wine Glass Shelf



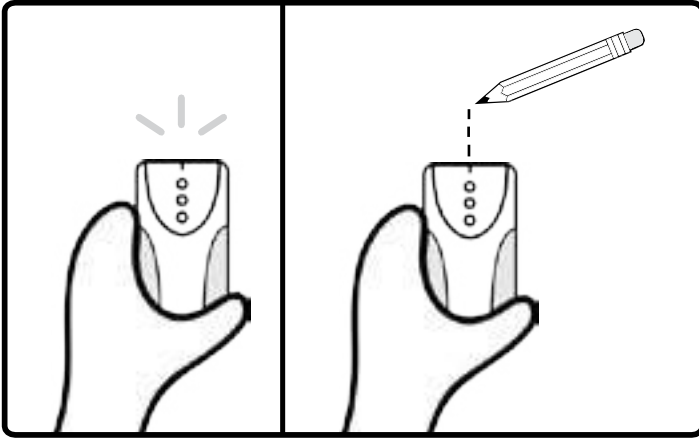
72" Shelf System

72" Floating Shelf

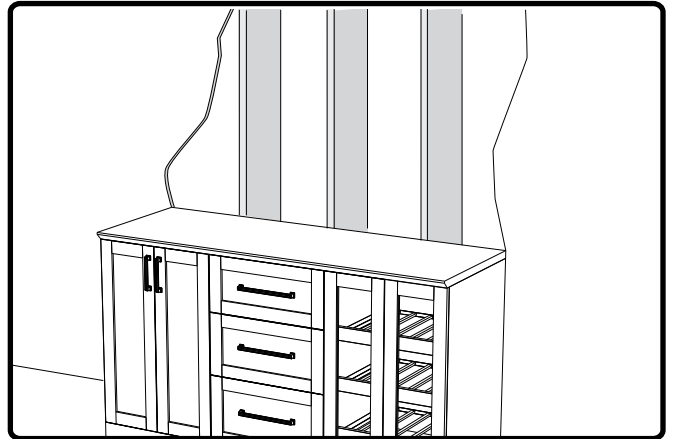


Fastening the Shelf System to drywall

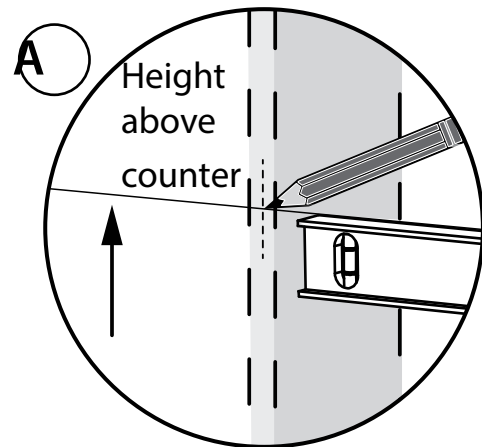
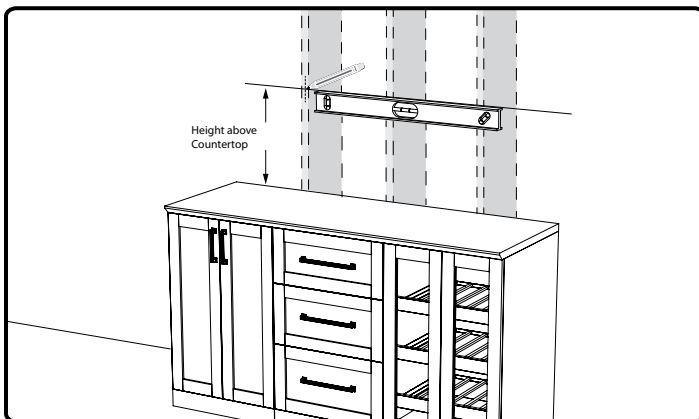
- 1** Use stud finder to locate the studs and mark the wall with a pencil.



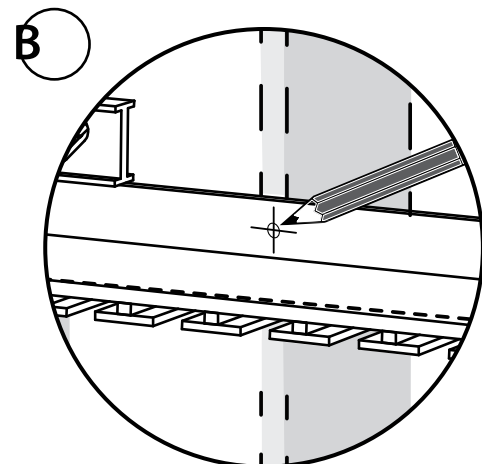
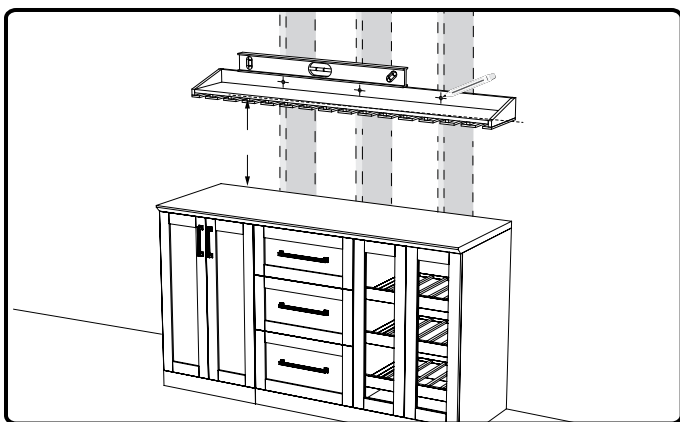
- 2** The shelf system must be secured to wall studs.



- 3** Begin by measuring up from the countertop to the desired height of the shelf position. Using a level, mark a horizontal line. Mark a vertical line centered on each stud perpendicular to the horizontal pencil line. Diagram (A).

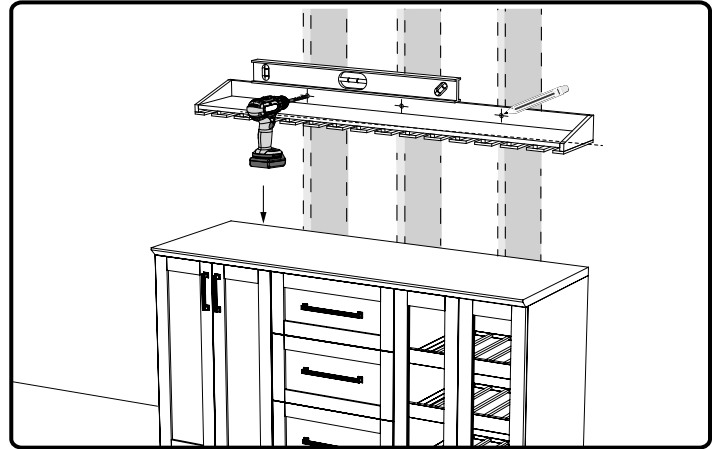
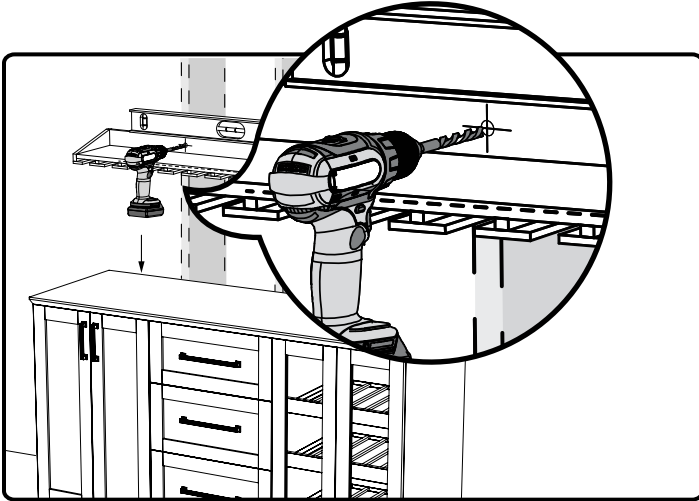


- 4** With the shelf held in place, ensure it is level and transfer the line marks from the wall to the shelf (B).



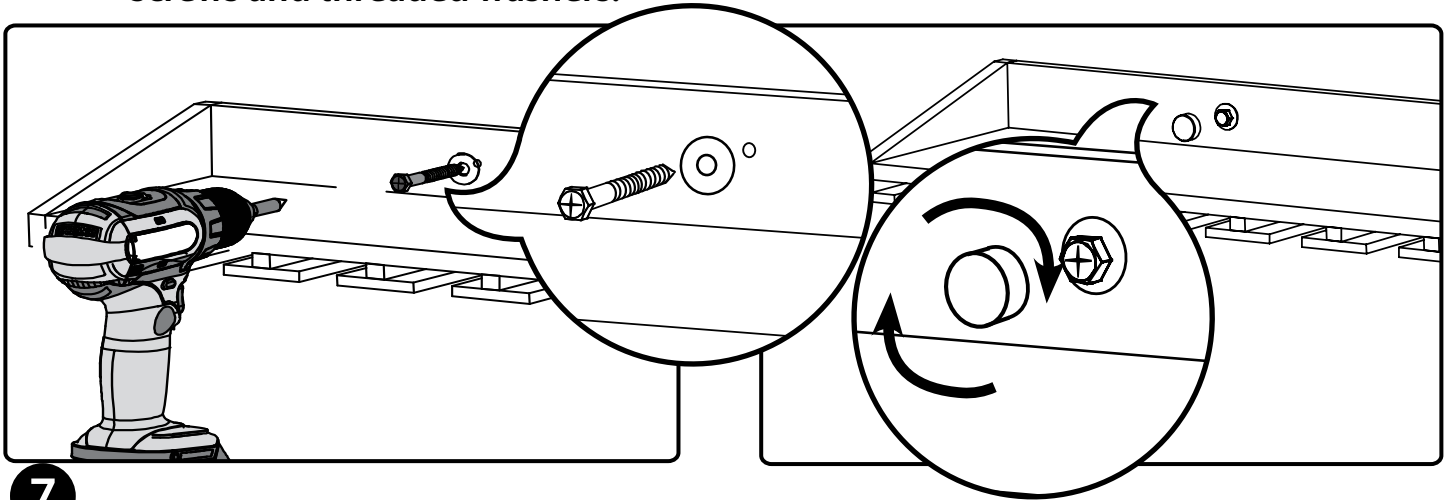
Fastening the Shelf System to drywall

- 5** Using a $\frac{1}{4}$ " drill bit, pre-drill through the shelf backer and into the wall stud. The 63" length shelf must be fastened with minimum three lag screws, the 42" length shelf must be fastened with minimum 2 lag screws

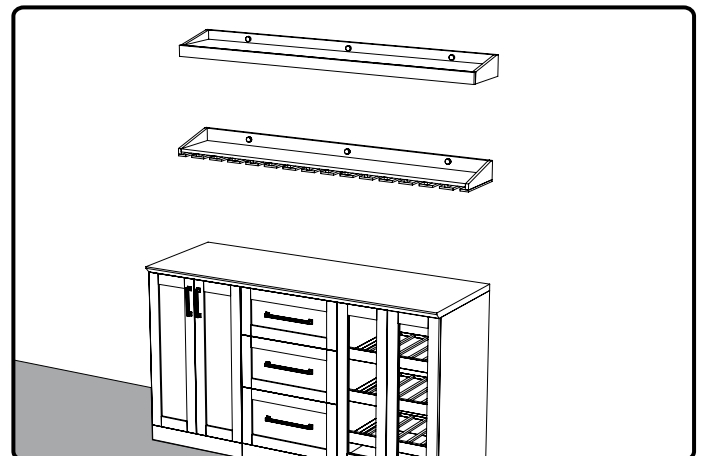
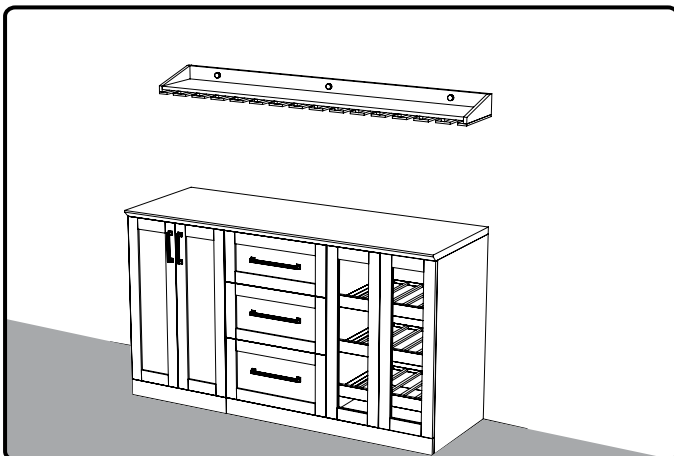


- 6** Using a #2 Phillips head screwdriver fasten the shelf to the wall with lag screws and threaded washers.

- 7** Finish by screwing on the threaded screw head cover.



7



Manufacturer One Year Limited Warranty

When this product is installed, operated and maintained according to the instructions attached to or furnished with the product, NewAge Products Inc. will replace the defective product or parts if the part fails as a result of defective materials or workmanship for a period of One Year from the purchase date of the product.

NEWAGE PRODUCTS INC. WILL NOT PAY FOR:

1. Service calls to correct the installation of any NewAge products or to instruct you how to use or install them.
2. Damage resulting from products damaged by accident, misuse, abuse, fire, flood, improper installation, acts of God, neglect, modification or mishandling.
3. Products damaged by improperly loading beyond the specified maximum weight capacity outlined in the instructions provided with the product.
4. Repairs or replacement when your product is used in other than normal, single-family household use, such as a commercial environment, or handled in anyway inconsistent with the installation instructions included with the product.
5. Surfaces damaged due to chemical interaction.
6. Replacement parts for NewAge products outside Canada, The United States, or the UK.
7. Loss of product contents due to theft, fire, flood, accident or acts of God.
8. Shipping or freight fees to deliver replacement products or to return defective products.
9. Any labor costs during the limited warranty period.

DISCLAIMER OF IMPLIED WARRANTIES; LIMITATION OF REMEDIES



IMPLIED WARRANTIES, INCLUDING TO THE EXTENT APPLICABLE WARRANTIES OF MERCHANTABILITY OR FITNESS FOR A PARTICULAR PURPOSE, ARE EXCLUDED TO THE EXTENT LEGALLY PERMISSIBLE. ANY IMPLIED WARRANTIES THAT MAY BE IMPOSED BY LAW ARE LIMITED TO ONE YEAR, OR THE SHORTEST PERIOD ALLOWED BY LAW. SOME STATES AND PROVINCES DO NOT ALLOW LIMITATIONS OR EXCLUSIONS ON HOW LONG AN IMPLIED WARRANTY OF MERCHANTABILITY OR FITNESS LASTS, SO THE ABOVE LIMITATIONS OR EXCLUSIONS MAY NOT APPLY TO YOU. THIS WARRANTY GIVES YOU SPECIFIC LEGAL RIGHTS, AND YOU MAY ALSO HAVE OTHER RIGHTS WHICH VARY FROM STATE TO STATE OR PROVINCE TO PROVINCE

Thank you for purchasing a NewAge Product!

Please give us a call or visit online if you have any questions.

Call 1.877.306.8930; for UK 0800.031.4069; e-mail at info@newageproducts.com