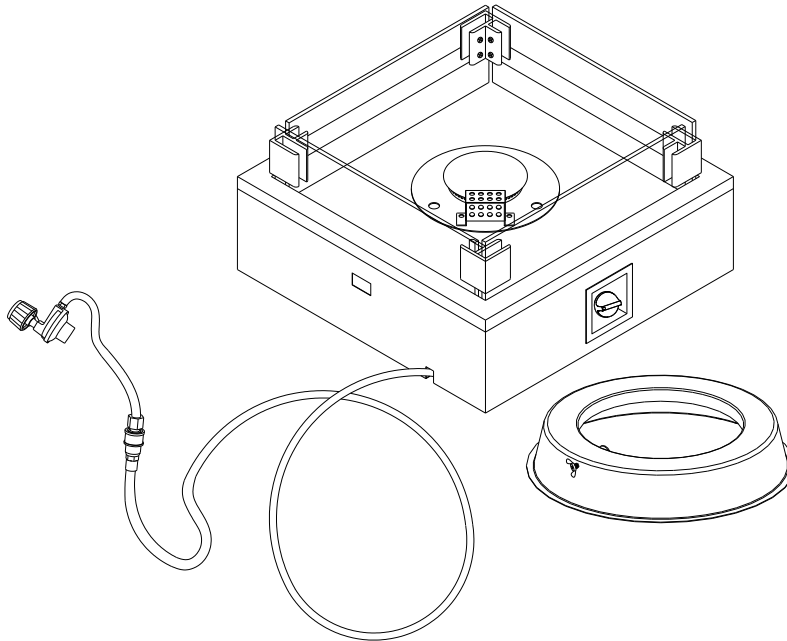


Item # 1004 199 449
Model # A301003000

HAMPTON BAY®

USE AND CARE GUIDE

HEWITT TABLETOP LP FIREPIT



Questions, problems, missing parts? Before returning to the store,
call Hampton Bay Customer Service
8 a.m. - 7 p.m., EST, Monday-Friday, 9 a.m. - 6 p.m., EST, Saturday

1-855-HD-HAMPTON

HAMPTONBAY.COM

THANK YOU

We appreciate the trust and confidence you have placed in Hampton Bay through the purchase of this fire pit. We strive to continually create quality products designed to enhance your home. Visit us online to see our full line of products available for your home improvement needs. Thank you for choosing Hampton Bay!

Table of Contents

Table of Contents.....	2	Package Contents.....	8
Safety Information.....	2	Assembly.....	9
Warranty.....	6	Operating.....	10
2 Year Warranty.....	6	Location.....	10
What is Covered.....	6	Leak Test.....	11
What is Not Covered.....	6	Lighting The Burners.....	11
Pre-Assembly.....	7	Storage and Maintenance.....	12
Planning Assembly.....	7	Care and Cleaning.....	14
Hardware Included.....	7	Troubleshooting.....	15

Safety Information

Read these instructions before use. This appliance must be installed in accordance with the instructions.



INSTALLER: Leave this manual with the appliance.
CONSUMER: Retain this manual for future reference.



WARNING: If the information in this manual is not followed exactly, a fire or explosion may result causing property damage, personal injury, or loss of life.



WARNING:
Do not store or use gasoline, or other flammable vapors and liquids, in the vicinity of this or any other appliance.

An LP-cylinder not connected for use shall not be stored in the vicinity of this or any other appliance.



DANGER: CARBON MONOXIDE HAZARD

This appliance can produce carbon monoxide which has no odor.

Using it in an enclosed space can kill you.

Never use this appliance in an enclosed space such as a camper, tent, car or home.



WARNING: For Outdoor Use Only.

Installation and service must be performed by a qualified installer, service agency, or the gas supplier.



DANGER:

FIRE OR EXPLOSION HAZARD

If you smell gas:

1. Shut off gas to the appliance.
2. Extinguish any open flame.
3. If odor continues, leave the area immediately
4. After leaving the area, call your gas supplier or fire department.

Failure to follow these instructions could result in fire or explosion, which could cause property damage, personal injury, or death.

This appliance complies with “ANSI Z21.97-2017/CSA 2.41-2017, Outdoor Decorative Gas

Safety Information (Continued)

IMPORTANT, RETAIN FOR FUTURE REFERENCE: READ CAREFULLY
For Outdoor Use only. Not for Commercial Use.



WARNING : Failure to position the parts in accordance with these diagrams or use only parts specifically approved with this appliance may result in property damage or personal injury.



WARNING:

FUELS USED IN LIQUEFIED PROPANE GAS APPLIANCES, AND THE PRODUCTS OF COMBUSTION OF SUCH FUELS, CAN EXPOSE YOU TO CHEMICALS INCLUDING BENZENE, WHICH IS KNOWN TO THE STATE OF CALIFORNIA TO CAUSE CANCER AND CAUSE BIRTH DEFECTS OR OTHER REPRODUCTIVE HARM. For more information go to www.P65Warnings.ca.gov.



WARNING: Hot glass will cause burns. Don't touch glass until cooled. Never allow children to touch glass.



FOR YOUR SAFTY: Surface of fire pit can remain extremely hot for a period after use. Allow 45 minutes to cool down before touching or moving the firepit.

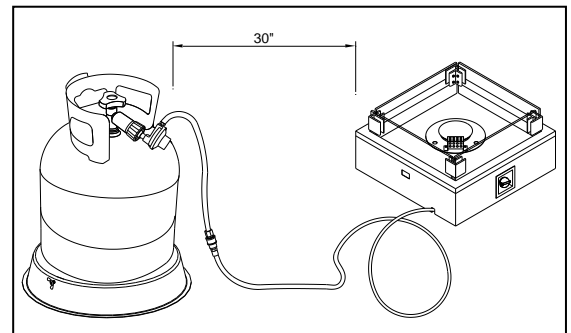
SPECIFICATIONS

Product name	HEWITT TABLETOP LP FIREPIT
Model NO.	A301003000
Rated Heat Output	5200BTU/HR
Fuel	Propane-LP
Gas Supply	20 lb. LP-Gas cylinder
Manifold Pressure	11 Inches W.C.
Orifice Size (diameter)	0.72mm
Gas Supply Pressure	Max.250 PSI Min.25 PSI

Safety Information (Continued)

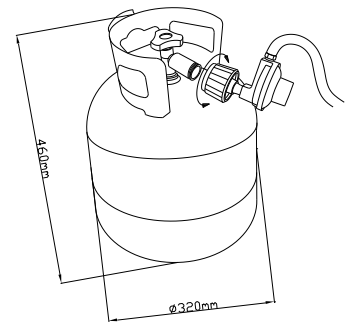
IMPORTANT SAFETY INFORMATION AND PRECAUTIONS

- The installation must conform with local codes, or in the absence of local codes with the National Fuel Gas Code, ANSI Z223.1/NFPA54; International Fuel Gas Code, Natural Gas and Propane Installation Code, CSA B149.1; or Propane Storage and Handling Code, B149.2, as applicable.
- The LP gas supply cylinder to be used must be:
 - 1- Constructed and marked in accordance with the U.S. Department of Transportation (D.O.T.) Specifications for LP-Gas Cylinders, or the Standard for Cylinders, Spheres and Tubes for transportation of Dangerous Goods and Commission, CAN/CSA-B339 as applicable;
 - 2- Provided with a listed overfilling prevention device;
 - 3- Provided with a cylinder connection device compatible with the connection for the appliance.
- Always place the appliance on a firm and level surface.
- Solid fuels shall not be burned in this gas appliance. When using decorative Lava Rocks, use only Lava Rocks (INCLUDED).
- The appliance shall be used only outdoors in a well-ventilated space and shall not be used in a building, garage or any other enclosed area.
- When in use, keep the appliance area clear and at least 40 in. / 101.6 cm side, back and top clearance from combustible materials, gasoline and other flammable liquid and vapors. Do not use the appliance under overhead combustible surfaces. Certain items or materials, when stored under the appliance or nearby, will be subjected to radiant heat and could be damaged.
- When in use, keep cylinder area clear and at least 30 in. (76.2 cm) side clearance from combustible materials, gasoline and other flammable liquid and vapours. Do not use the appliance under overhead combustible surfaces. Certain items or materials, when stored under the appliance or nearby, will be subject to radiant heat and could be damaged.
- The minimum distance between the brazier and the cylinder is 30 in. (76.2 cm).**
- WARNING: The cylinder poses a tripping hazard.**
- Open the door and inspect the hose assembly and burner prior to each use. If there is evidence of excessive abrasion or wear or if the hose or burner is damaged, it must be replaced by an appropriate part from the manufacturer.
- Inspect the gas connections of the appliance prior to each use. Do not operate the unit if there is a gas leak. Have the appliance inspected annually by a qualified service person.
- The pressure regulator and hose assembly provided with the appliance must be used. The replacement part must be the same as the part specified by manufacturer.



Safety Information (Continued)

- For instructions on how to connect the LP-Gas tank and check for leaks, please refer to the “Gas Connection” on page 11 and “Leak Test” on page 12.
- Children and adults should be alerted to the hazards of high surface temperatures and should stay away to avoid burns and prevent clothing ignition.**
- Young children and pets should be carefully supervised when they are in the area of the appliance.**
- Any guard or other protective device removed for servicing the appliance must be replaced prior to operation.**
- Clothing or other flammable materials should not be hung from the appliance or placed on or near the appliance.**
- Do not use this appliance if any part has been under water. Immediately call a service technician to inspect the appliance and to replace any part of the control system which has been under water.
- LP-Gas supply cylinder to be used must be constructed and marked in accordance with the specifications for LP-Gas cylinders of the U.S. Department of Transportation (DOT).
- The cylinder supplies system must be arranged for vapour withdrawal and the cylinder must include a collar to protect the cylinder valve.
- Use only 20 lb / 9 kg LP-Gas cylinders.
- Do not burn wood or any other materials in this appliance.
- The appliance must be isolated from the gas supply piping system by closing its individual manual shutoff valve during any pressure testing of the gas supply piping system at test pressure equal to or less than 1/2 PSI (3.5 kPa).
- Other cylinders may be acceptable for use with the appliance provided they are compatible with the appliance retention means and accompanied by illustration(s) depicting the cylinder mounted on the appliance using the cylinder retention means and the point of contact between the cylinder and the retention means.
- Properly place the hose out of pathways where people may trip over it or in areas where they may be subject to accidental damage.
- The burner must be replaced prior to the appliance being put into operation if it is clear that the burner is damaged. The replacement burner must be the same as the part specified by the manufacturer.
- To clean the appliance, including the burner, please refer to “Storage and Maintenance” on page 12.



Warranty

2 YEAR WARRANTY

WHAT IS COVERED

This limited warranty is extended to the original purchaser and applies to defects in materials and workmanship of your item provided the item is maintained with care and used only for personal, residential purposes. The item is warranted to be free from defects in material or workmanship for a period of 2 years.

WHAT IS NOT COVERED

We do not reimburse for transportation or delivery costs, or compensate the individual or any outside party for assembling or disassembling the product.

Contact the Customer Service Team at 1-855-HD-HAMPTON or visit www.HAMPTONBAY.com

Production Number: 20191812

Pre-Assembly

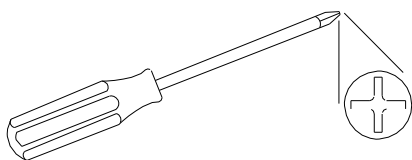
PLANNING ASSEMBLY

Before beginning assembly of this product, make sure all parts are present. Compare parts with the Hardware Included and Package Contents lists. If any part is missing or damaged, do not attempt to assemble the product. Contact customer service for replacement parts.



NOTE: Please read and understand the entire manual before you assemble, operate, or install the fire pit.

TOOLS REQUIRED (NOT INCLUDED)

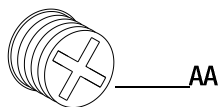


Phillips screwdriver

HARDWARE INCLUDED



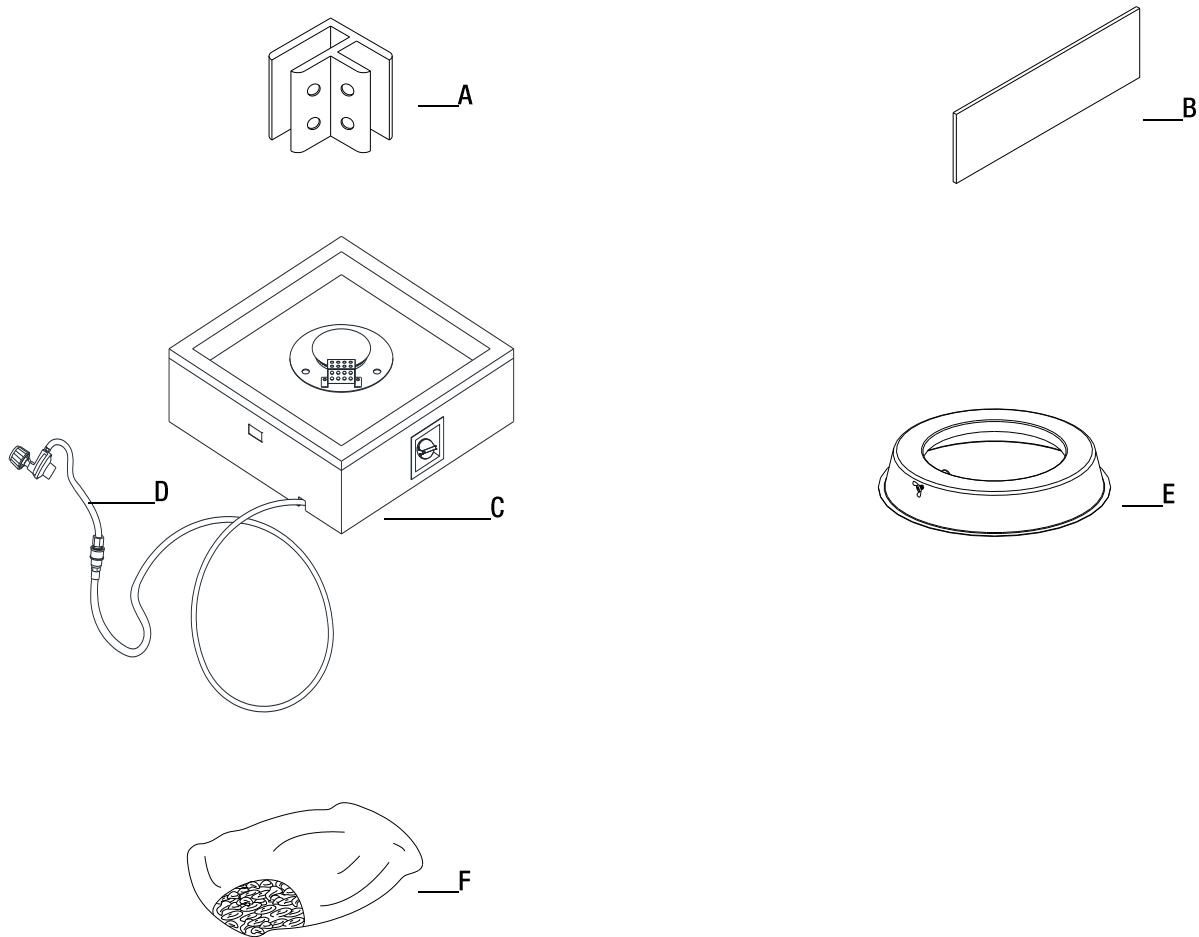
NOTE: Hardware not shown to actual size.



Part	Description	Quantity
AA	M10*7 Bolt (Pre-assembled on Part#A)	16

Pre-Assembly (continued)

PACKAGE CONTENTS



Part	Description	Quantity
A	Metal Connector	4
B	Glass Panel	4
C	Firepit Base	1
D	Decompression valve (Pre-assembled on the Firepit Base)	1
E	Propane Tank Base	1
F	Decorative Lava Rock	2kg

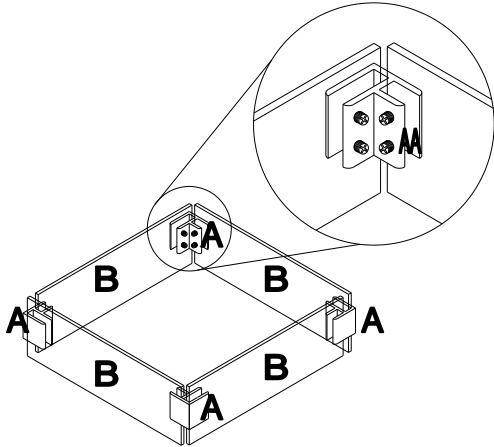
Assembly

1 Assembling the Glass Panels

- Assemble the Glass Panels (B) using the Metal Connector (A), secure them using the bolts (AA) pre-assembled on the Metal Connector (A). The direction of the four Metal connectors should be the same.



NOTE: To avoid destroying the finish, do not put the parts on the ground directly.

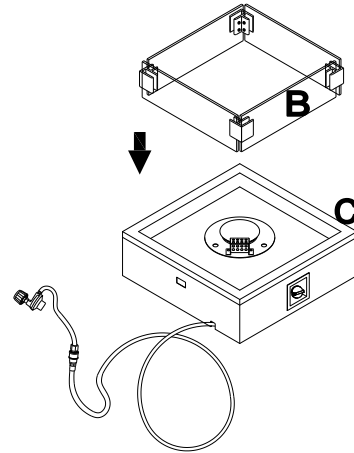


2 Attaching the Glass Panels

- Put the assembled Glass Panels (B) on the Firepit Base (C).



NOTE: To avoid destroying the finish, do not put the parts on the ground directly.

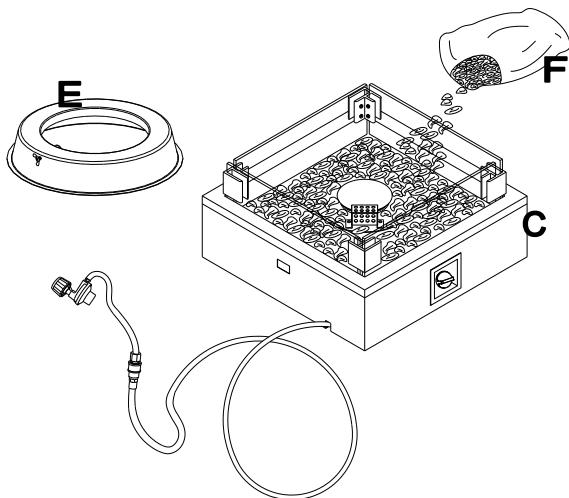


3 Adding the Decorative Lava Rock

- Put the Decorative Lava Rock (F) to the assembled firepit. Put the Gas-jar Base (E) aside for a gas jar.



NOTE: To avoid destroying the finish, do not put the parts on the ground directly.

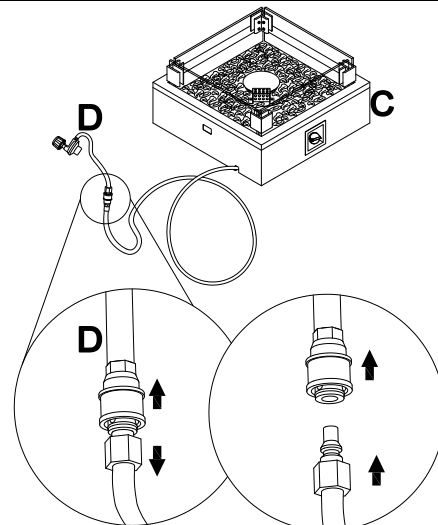


4 Completing the Assembling

- If the Decompression valve (D) is too big to pass through the umbrella hole, remove the Decompression valve (D) first and then replace it after you pass it through the umbrella hole.



NOTE: To avoid destroying the finish, do not put the parts on the ground directly.



Operating

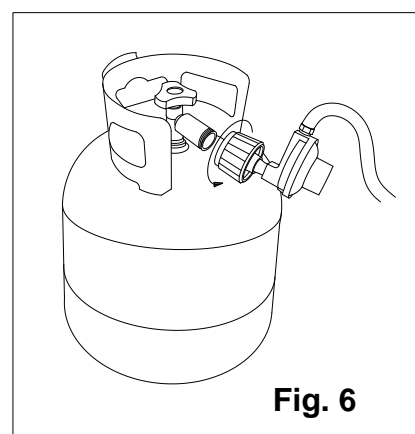
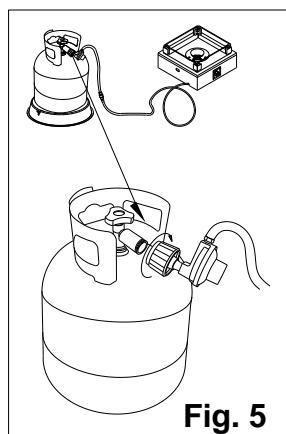
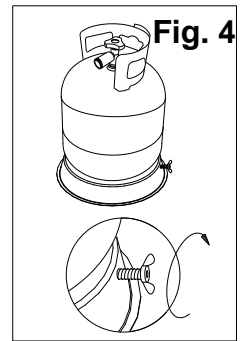
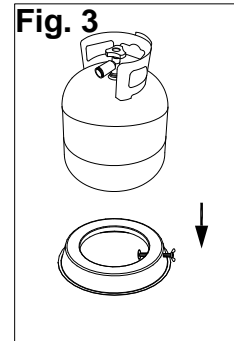
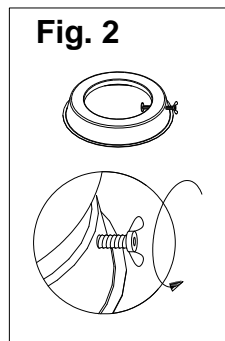
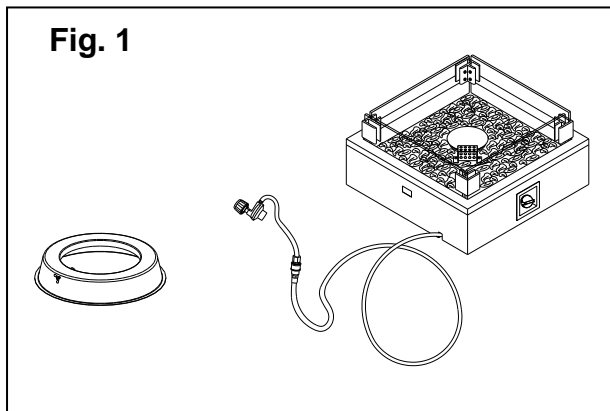
LOCATION

Your gas appliance must be installed on a flat, stable surface, away from any combustible materials or construction. Remove the appliance from container box and place it on any level, outdoor, non-combustible surface.



NOTE: Do not place this appliance on grass or dirt area. This may prevent proper safety venting

1. Clean the valve and ensure the tank holder is situated in an appropriate location (Fig. 1).
2. Loosen the tank holder retainer bolt by turning counter-clockwise (Fig. 2). Place the propane tank on the tank holder (Fig. 3) and tighten the retainer bolt securing the tank to the tank holder (Fig. 4).
3. Connect the regulator to the propane tank as shown (Fig. 5). Perform a leak test as described on page 11.
4. Disconnect the regulator from the tank as shown (Fig. 6).



Operating (Continued)

LEAK TEST



WARNING:

Do not use an open flame to check for leaks.

Do not smoke during testing.

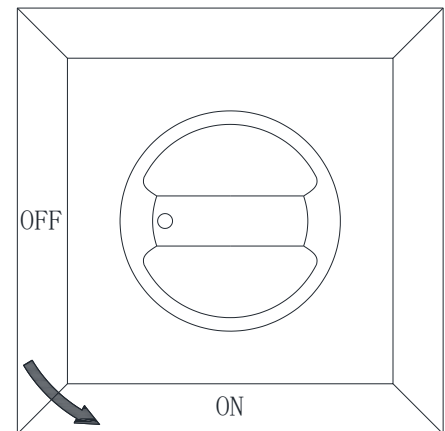
Do not test indoors.

A leak check must be performed whenever the gas cylinder is replaced.

1. Make sure the control knob is in the "OFF" position.
2. Make sure the gas cylinder is correctly and securely connected to the pressure regulator, without over tightening.
3. When connecting the decompression valve to the gas hose (in step 4), leak test must be performed.
4. Turn on the gas cylinder valve and perform the leak test too.
5. Leak test method: apply 50% soap and 50% water solution to the gas hose and connections between the control knob and gas cylinder. If something is leaking, you will see bubbles form. In case of leaks, turn off the gas supply, undo the leaking connection, re-connect it and try again. If the leak persists, consult Customer Service for assistance 1-855-HD-HAMPTON. If the connection does not leak, continue to the next step

LIGHTING THE BURNERS

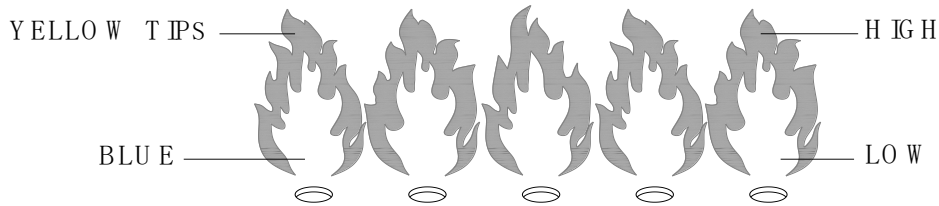
1. Push in and turn control knob to ON.
2. If the burner is not lit, turn the knob back to "OFF".
Wait 5 minutes and repeat step 1.
3. If burner is lit, continue to press the control knob for 1-2 minutes until the thermocouple is hot.
4. Release the control knob and the burner should stay lit.
5. Turn the control knob to the OFF to shutdown. Turn off the gas supply at the cylinder. Allow a 5-minute complete shut off period before relighting the appliance.



Operating (Continued)



NOTE: While in use, the burner flame should be mainly blue in appearance with a small amount of yellow. The flame can be identified by the following figure.



Correct Flame



Incorrect Flame



WARNING: Lighting the Fire Pit improperly could lead to an unsafe condition.

6. Press in and turn the control valve knob clockwise to OFF to shut down fireplace. Close the gas cylinder valve when the fireplace is not in use.

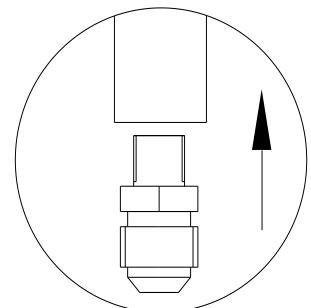


Caution: Do not kink flexible gas hose. If it is kinked, a gas leak could occur.

STORAGE AND MAINTENANCE:

To obtain the best performance from your firepit, you must perform the following storage and maintenance activities on a regular basis:

- Allow at least 35 minutes for the fireplace to cool down after use, before disconnecting and removing the gas cylinder.
- Store the gas cylinder in a dry, well-ventilated and sheltered area protected from inclement weather and dust, out of the reach of children, and not in a building, garage or any other closed area.
- The firepit may be stored indoors only if the cylinder is disconnected and removed.
- Keep the firepit area clear and free from combustible materials, gasoline and other flammable vapors and liquids.
- Installation and repair should be done by a qualified service person. The firepit should be inspected before use and at least annually by a qualified service person. More frequent cleaning may be required as necessary. It is imperative that the control compartment, burner, and circulating air passageways of the fireplace be kept clean.**



Operating (Continued)

- ❑ If you disassemble the burner when cleaning the firepit, please reassemble it according to the picture on the right to make sure the burner induction tunnel is on and exactly cover the orifice base. It is imperative that the control compartment, burner, and circulating air passageways of the firepit be kept clean. It is recommended not to disassemble the burner.
- ❑ Permanent installation and repair should be done by a qualified service person. The firepit should be inspected annually by a qualified service person.

Care and Cleaning

- Keep the exterior surface clean.
- Use warm soap water for cleaning.
- While washing your unit, be sure to keep the area around burner dry at all times. If the gas control is exposed to water, do NOT try to use it. It must be replaced.
- Keep the appliance area free and clean from combustible materials, gasoline or other flammable vapors and liquids.
- At least once a year, the unit should be inspected for the presence of spiders, spider webs or other insects.
- Air flow must be unobstructed. Keep controls, burner, and circulating air passageways clean.
- Spider and insects can nest in burner or orifices. This dangerous condition can damage heater and render it unsafe for use. Clean burner holes by using a heavy-duty pipe cleaner. Compressed air may help clear away smaller particles.
- Carbon deposits may create a fire hazard. Clean reflector, thermocouple, and emitter screen with a dry cloth if any carbon deposits develop.
- The burner is made from stainless steel, but extreme heat and a corrosive environment can cause surface corrosion to occur. This can be removed with a brass wire brush. Inspect the burner at least annually for cracks, insect nests, excessive corrosion or any other damage. If the burner is damaged, it must be replaced with a burner specified by the manufacturer before the appliance is put into operation.

Troubleshooting

PROBLEM OBSERVED	POSSIBLE CAUSE	CORRECTIVE MEASURES
Gas odor	Gas leak	See “If you smell gas:” on front cover of manual. Check all gas connections.
Delayed ignition	Low gas pressure Clogged or dirty burner ports Blocked orifice Spent battery	Check gas supply pressure. Clean burner ports. Check the orifice opening. Install a new battery.
Incorrect burner flame	Incorrect gas supply or pressure Blocked orifice Clogged or dirty burner ports	Check gas supply pressure. Check and clean orifice opening. Clean burner ports.

HAMPTON BAY[®]

Questions, problems, missing parts? Before returning to the store,
call Hampton Bay Customer Service
8 a.m. - 7 p.m., EST, Monday- Friday, 9 a.m. - 6 p.m., EST, Saturday

1-855-HD-HAMPTON

HAMPTONBAY.COM

Retain this manual for future use.
