

Please read and save these instructions. Read carefully before attempting to assemble, install, operate or maintain the product described. Protect yourself and others by observing all safety information. Failure to comply with instructions could result in personal injury and/or property damage! Retain instructions for future reference.

Description

Shallow well jet pumps are single stage domestic water pumps designed for pumping portable water in applications where the water is located less than 25 feet vertically from the pump. A pressure switch is a standard feature. The shallow well pump can be mounted to either a pre-charged, conventional type or free standing pressure tank.

Unpacking

After unpacking the jet pump, carefully inspect for any damage that may have occurred during transit. Check for loose, missing or damaged parts.

Safety Guidelines

This manual contains information that is very important to know and understand. This information is provided for SAFETY and to PREVENT EQUIPMENT PROBLEMS. To help recognize this information, observe the following symbols.

▲ DANGER DANGER indicates an imminently hazardous situation which, if NOT avoided, WILL result in death or serious injury.

▲ WARNING WARNING indicates a potentially hazardous situation which, if NOT avoided, COULD result in death or serious injury.

▲ CAUTION CAUTION indicates a potentially hazardous situation which, if NOT avoided, MAY result in minor or moderate injury.

NOTICE NOTICE indicates important information, that if NOT followed, MAY cause damage to equipment.

General Safety Information

CALIFORNIA PROPOSITION 65

▲ WARNING This product or its power cord may contain chemicals known to the State of California to cause cancer and birth defects or other reproductive harm. Wash hands after handling.

GENERAL SAFETY

1. Read the instruction manual included with the product carefully. Be thoroughly familiar with the controls and the proper use of the equipment.
2. Know the pump application, limitations and potential hazards.

▲ WARNING ALWAYS install pressure relief valve to match the system pressure rating and the maximum flow rate.

▲ DANGER Do NOT use to pump flammable or explosive fluids such as gasoline, fuel oil, kerosene, etc. Do NOT use in explosive atmospheres. Pump only clear water. Failure to follow this warning WILL result in personal injury and/or property damage.

▲ WARNING Disconnect power and release all pressure from the system before attempting to install, service, relocate or perform any maintenance. Lock the power disconnect in the open (OFF) position. Tag the power disconnect to prevent unexpected application of power.

3. Drain all liquids from the system before servicing.
4. Periodically inspect pump and system components. Perform routine maintenance as required (See Maintenance).
5. Personal Safety:
 - a. Wear safety glasses at all times when working with pumps.
 - b. Keep work area clean, uncluttered and properly lighted - replace all unused tools and equipment.
 - c. Keep visitors at a safe distance from work area.
 - d. Make the workshop childproof use padlocks, master switches and remove starter keys.
6. Do NOT pump chemicals or corrosive liquids. Pumping these liquids shortens the life of the pumps seals and moving parts and WILL void the warranty. Pump only clear water.
7. When installing pump, cover the well to prevent foreign matter from falling into well and contaminating the water and damaging internal mechanical pumping components.
8. Always test the water from the well for purity before use. Check with local health department for test procedure.
9. Complete pump and piping system MUST be protected against below freezing temperature. Freezing temperatures could cause severe damage and void the warranty.
10. Do not run the pump dry or damage will occur and will void warranty.

▲ WARNING Risk of electrical shock! This pump is designed for indoor installation only.

▲ WARNING Risk of Electrical Shock! All wiring SHOULD be performed by a licensed or certified electrician.

11. Before installing the pump, have the electrical circuit checked by a licensed or certified electrician to make sure the circuit is properly grounded.
12. Make sure the line voltage and frequency of electrical current supply agrees with the motor wiring.
13. Do NOT attempt repairs to the electric motor. All repairs to the motor must be completed by a licensed electrician.

▲ WARNING Do NOT touch an operating motor. Modern motors are designed to operate at high temperatures.

14. Avoid kinking electrical cord and protect from sharp objects, hot surfaces, oil and chemicals. Replace damaged or worn cords immediately.
15. Keep fingers and foreign objects away from ventilation and other openings. Do NOT insert any objects into the motor.

▲ WARNING Risk of electric shock! NEVER connect the green (or green and yellow wire) to a live terminal!

16. To reduce the risk of electrical shock. The motor must be securely and adequately grounded for protection against shock.
17. Use wire of adequate size to minimize voltage drop at the motor.

▲ WARNING Do NOT handle pump or pump motor with wet hands, when standing on a wet or damp surface or when standing in water. Fatal electrical shock COULD occur.

▲ CAUTION Pump motor is equipped with an automatic resetting thermal protector and MAY restart unexpectedly. Protector tripping is an indication of motor overheating because of operating pump at low heads (low discharge restriction), excessively high or low voltage, inadequate wiring, incorrect motor connections, excessive surrounding air temperature, inadequate ventilation, and/or defective motor or pump.

Pre-Installation

WATER SUPPLIES

The water supplies illustrated in Figure 12, on page 11, are possible sources for water. These water supplies can be

REMINDER: Keep your dated proof of purchase for warranty purposes! Attach it to this manual or file it for safekeeping.

General Safety Information (Continued)

divided into two categories:

SURFACE WATER

Water from a lake, stream, pond and/or cistern. This water is usually not fit for human consumption, but may be suitable for washing, irrigation or other household uses.

GROUND WATER

Water found in the water bearing stratum at various levels beneath the earth. Of all the fresh water found on earth only 3 percent is found on the surface and 97 percent is underground.

TANKS - CONVENTIONAL STORAGE

The function of the tank is to store a quantity of water under pressure. When full, the tank contains approximately 2/3 water and 1/3 compressed air. The compressed air forces the water out of the tank when a faucet is opened. An air volume control automatically replaces air lost or absorbed into the water. The usable water, or drawdown capacity, of the tank is approximately 1/6 of the tanks total volume when operated on a 20 lb.-40 lb. pressure setting (Figure 1).

TANKS - PRECHARGED STORAGE

A precharged storage tank has a flexible bladder or diaphragm that acts as a barrier between the compressed air and water. This barrier prevents the air from being absorbed into the water and allows the water to be acted on by compressed air at initially higher than atmospheric pressures (precharged). More usable water is provided than with a conventional type tank. Precharged tanks are specified in terms of a conventional tank. For example, a 20 gallon precharged tank will have the same usable water or drawdown capacity as a 40 gallon conventional tank, but the tank is smaller in size (Figure 1).

PRESSURE SWITCH

The pressure switch provides for automatic operation. The pump starts when pressure drops to a cut-in setting.

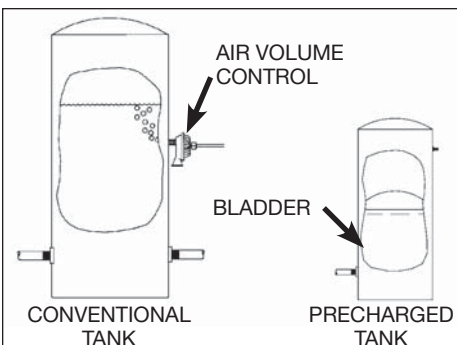


Figure 1 - Conventional & Precharged Storage Tanks

The pump stops when pressure reaches a cut-out setting.

PACKAGE SYSTEMS

There are four jet pump/tank assemblies sold as packages (Chart 1).

WELLS

A new well should be pumped clear of sand before installing the pump. Sand will damage the pumping parts and seal. The draw-down level of the well should not exceed the maximum rated depth for the pump. The capacity of the pump will be reduced and a loss of prime may occur.

Installation

LOCATION

Select a location as close to the water supply as possible. Be sure to comply with any state or local codes regarding the placement of the pump. The equipment must be protected from the elements. A basement or heated pump house is a good location. Make sure the pump has proper ventilation. The temperature surrounding the pump is not to exceed 100° F (38°C) or nuisance tripping of the motor overload may occur.

PIPING

Piping may be copper, steel, rigid PVC plastic or flexible polyethylene plastic.

CAUTION Flexible pipe is NOT recommended on suction pipe (inlet pipe).

The pipe must be clean and free of rust or scale. Use a pipe joint compound on the male threads of the metal pipe. Plumber's seal tape should be used with plastic threads. All connections must be air tight to insure normal operation.

Slope all inlet piping upwards towards the pump to prevent trapping air. Unions or hose couplings can be installed near pump to facilitate removal for servicing or storage. A rubber hose installed between the water system and the house piping will reduce the noise transmitted to the house.

PIPE SIZES

Long horizontal pipe runs and an abundance of fittings and couplers decrease water pressure due to friction loss. See Chart 2 on page 3 to determine the proper pipe size.

SHALLOW WELL INSTALLATION

A shallow well pump can be used when the pump is located within 25 feet vertically of

the water level. Shallow well pumps have only one pipe between the pump and the water supply (Figure 2).

DRILLED WELL (FIGURE 12 ON PAGE 11)

1. Install a foot valve on the first section of pipe (Figure 2, Illustration A).
2. Lower the pipe into the well.
3. Add pipe until the foot valve is 5 feet below the lowest anticipated water level.

CAUTION The foot valve SHOULD be at least 18" from the bottom of the well or sand or sediment MAY be drawn into the system.

4. After proper depth is reached, install a well seal or pitless adapter to support pipe and prevent surface water and other contaminants from entering well.
5. Slope the horizontal pipe upward toward the pump to eliminate trapping air. Sloping the pipe will also aid in priming the pump.

DRIVEN WELL (FIGURE 12 ON PAGE 11)

1. Drive the point several feet below the water table.

NOTE: A packer type foot valve can be installed in the well (Figure 2, Illustration B). This type of foot valve allows the well to be filled with water when priming and makes the inlet pipe much easier to test for leaks. Follow the manufacturer's instructions when installing the packer type foot valve.

As an alternative, an in-line check valve can be used with a driven well (Figure 2, Illustration C). The pipe between the check valve and the water level will always be under a vacuum.

Leaking joints or couplings will allow air to leak into the pipe and cause abnormal pump operation. Make sure to use pipe joint compound on all male pipe threads.

DUG WELL, CISTERN, LAKE AND SPRING INSTALLATION (FIGURE 12 ON PAGE 11)

1. Install a foot valve on inlet pipe and lower into water.

CAUTION The foot valve SHOULD be at least 18" from the bottom of the well or sand or sediment MAY be drawn into the system.

NOTE: When a lake is used as a water supply, make sure the inlet pipe is deep enough to be submerged at all times. Slope the horizontal piping upward toward the pump to prevent trapping air. The pipe must be removed during winter months or

CHART 1 - JET PUMP/ TANK ASSEMBLIES

	Type	Air Volume Control Required
Well X	Precharged	No
PCA	Precharged	No
12P & 30P	Conventional	Yes

Installation (Continued)

CHART 2 - PIPE SIZING

Pump Model	Pump Opening	Horizontal Distance (Feet)		
		0-25	26-100	100-300
Shallow Well	Inlet	1-1/4 in.	1-1/2 in.	2 in.

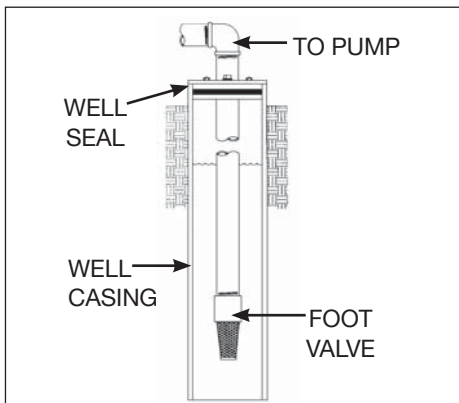


Illustration A

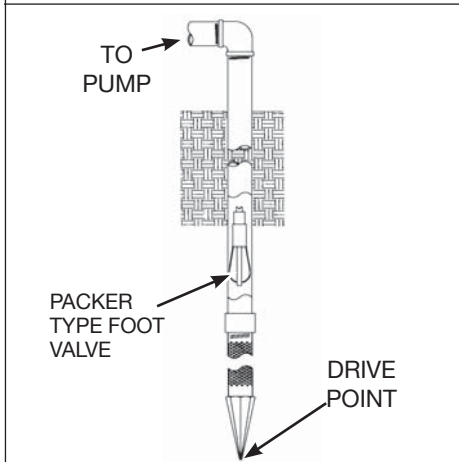


Illustration B

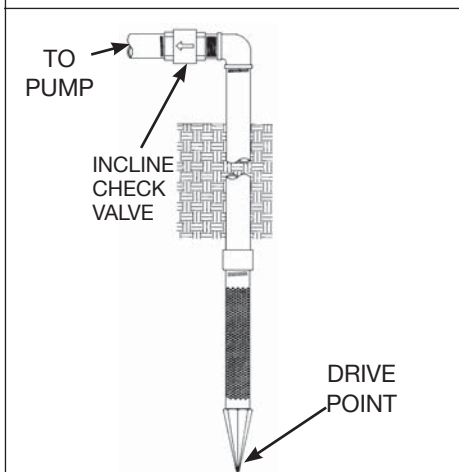


Figure 2 Illustration C

protected against freezing.

Protect the pipe from damage from swimmers and boats.

⚠ WARNING *Install a screen around the inlet pipe to prevent the entrapment of swimmers.*

SHALLOW WELL PUMP WITH CONVENTIONAL STORAGE TANK

1. Install air volume control on tank.
2. Connect the copper tube from the air volume control to the uppermost 1/8" NPT opening on the side of pump. Be sure the connections are tight. Leaking can cause the pump not to prime.
3. Install a valve and an isolator hose between the tank and the house plumbing to aid in pump removal for servicing and for reducing the noise transmitted to the house through the piping.
4. Provide a hose bib (faucet) at the lowest point in the system to drain the system for service or storage.

SHALLOW WELL PUMP WITH PRECHARGED STORAGE TANK

1. Shut off the power to the pump.
2. Open the faucet nearest the tank and allow all water to drain from the tank.
3. Measure the tank precharge at the valve stem using a tire pressure gauge.
4. If necessary, precharge with an air pump to 28 - 30 psi on 1/2, 3/4 and 1 HP pumps.
5. Slope the horizontal pipes upward toward the pump to prevent trapping air. If the horizontal distance exceeds 25 feet, see Chart 2 on page 3 for the recommended pipe size.

Electrical

⚠ WARNING *Risk of electrical shock. This pump is designed for indoor installation only.*

The voltage of power supply must match the voltage of the pump. The motors can be converted to 115/230 volts by turning the voltage selector to the desired voltage (See Figure 6). Use a needle nose pliers to pull the selector out approximately 1/4", rotate and then reinsert in correct position.

Select the proper size wire and fuse (Chart 3). Time delay fuses are recommended over standard fuses for motor circuit protection. All pump motors have built-in

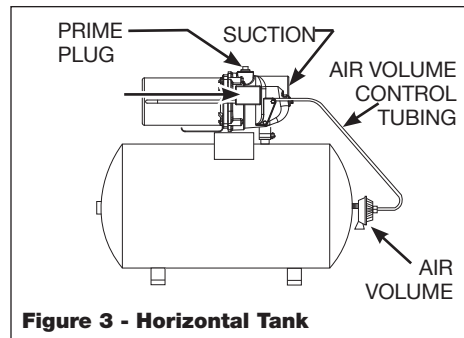


Figure 3 - Horizontal Tank

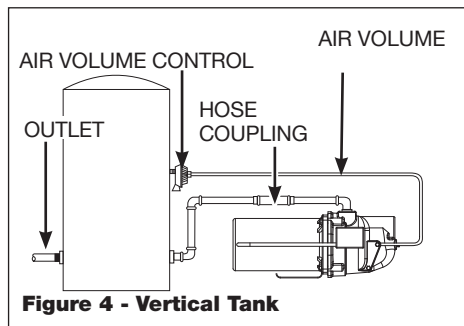


Figure 4 - Vertical Tank

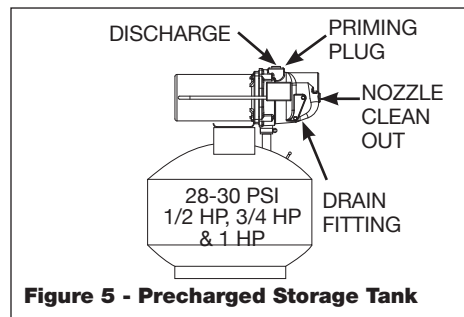


Figure 5 - Precharged Storage Tank

automatic overload protection that will prevent damage to the motor due to overheating.

⚠ WARNING Do NOT connect to electric power supply until unit is permanently grounded. Connect ground wire to approved ground then connect terminal provided.

A metal underground water pipe or well casing at least 10 feet long makes the best ground electrode. If plastic pipe or insulated fittings are used, run a wire directly to the metal well casing or use a ground electrode furnished by the power

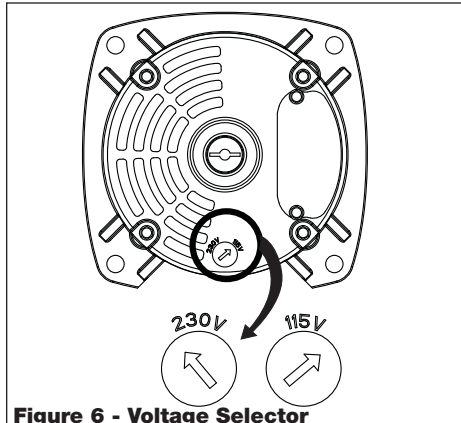


Figure 6 - Voltage Selector

company.

There is only one proper ground terminal on the unit. The terminal(s) is located under the pressure switch cover, is painted green and is identified as GRD. The ground connection must be made at this terminal (Figure 7). The ground conductor must not be smaller than the circuit conductors supplying the motor.

⚠ WARNING Disconnect power and release all pressure from the system before attempting to install, service, relocate or perform any maintenance.

Operation

PRIMING THE SHALLOW WELL PUMP

⚠ WARNING To prevent damage to the pump, do NOT start motor until pump has been filled with water.

1. Remove prime plug (Figure 3 on page 3).
2. Fill pump and piping completely full of water.
3. Replace the prime plug.
4. Open a faucet to vent the system.
5. Start the motor. Water will pump in a few minutes. If pump fails to prime in 5 minutes, stop motor and refill pump with water. Priming time is proportional to the amount of air in inlet pipe.
6. Let the system operate for several

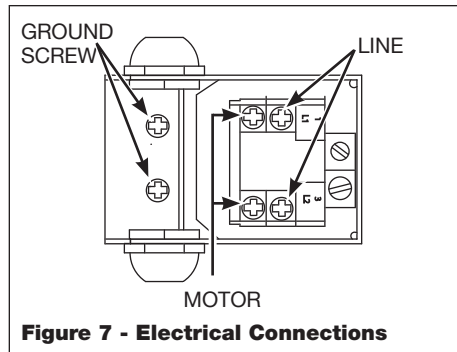


Figure 7 - Electrical Connections

- minutes to flush all pipes.
7. Close faucet and allow pump to build pressure in tank. When the pressure reaches the cut-out setting, the motor will stop.

The system is now in operation and will automatically cycle on demand.

Maintenance

⚠ WARNING Disconnect power and release all pressure from the system before attempting to install, service, relocate or perform any maintenance. Lock the power disconnect in the open (OFF) position. Tag the power disconnect to prevent unexpected application of power.

⚠ CAUTION Protect the pump from freezing during winter conditions.

DRAINING THE PUMP

Drain openings are provided on all models. To drain the pump:

1. Remove drain plug and prime plug to vent the system (see Figure 5 on page 3).
2. Drain all piping to a point below the freeze line.

DRAINING THE TANK

Conventional tanks can be drained by opening an outlet at the lowest point in the system. Remove plug or the air volume control to vent the tank.

Precharged tanks force virtually all the water from the tank when system pressure is released. No draining is necessary.

RESTARTING PUMP

If the pump has been serviced, drained or has not been used for some time, be sure there is water in the pump housing (volute) and the piping to the well. There must be water in the pump housing (volute) at all times when the pump is running to avoid internal damage of seal members.

WATERLOGGED TANKS:

CONVENTIONAL

When a tank system has an inadequate ratio of air and water, the pump will start and stop often and erratically.

1. Disconnect the power to the pump.
2. Open the lowest faucet in the system to release all pressurized water in the system.
3. Prime the pump (Priming the Shallow Well Pump on page 4).
4. Reconnect the power to the pump.

NOTE: As the pump refills the tank with water, the air volume control supplies the tank with the correct air to water ratio for the system to operate. If the air volume control is good, the pump will shut off at the desired cut-off and will be adjusted correctly.

WATERLOGGED TANKS:

PRECHARGED

If a precharged tank becomes waterlogged, the bladder is normally leaking or broken.

1. Test the tank by depressing the air

CHART 3 - RECOMMENDED FUSING & WIRING DATA - 60 HZ MOTORS

HP	VOLT	Dual Element Fuse 250V	Distance in Feet From Meter to Motor		
			0 to 50	51 to 100	101 to 200
			Wire Size		
1/2	115	20	14	12	10
	230	10	14	14	14
3/4	115	20	14	12	8
	230	10	14	14	14

Maintenance (Continued)

valve. The air valve will expel water if the bladder is broken.

- If broken, replace the tank.

NOTE: Once a bladder is leaking or broken, the bladder cannot be repaired. The tank must be replaced.

LUBRICATION

The bearings used in the pumps are lifetime lubricated at the factory and require no additional lubrication.

PRECHARGED TANK

Some air is lost through the bladder in any tank. To prevent tank failure, check the tank precharge on a yearly basis.

- Disconnect power to the pump, so water does not refill the precharged tank.
- Open a faucet nearest the tank and allow all water to drain from the tank.
- Measure the tank precharge at the valve stem using a tire gauge.
- If necessary, adjust the precharge with an air pump 28 - 30 psi on 1/2, 3/4 and 1 HP pumps.
- Reconnect power to the pump.

REMOVING OLD SHAFT SEAL

WARNING Disconnect power and release all pressure from the system before attempting to install, service, relocate or perform any maintenance.

- Disconnect power to the pump.
- Open a faucet nearest the tank and allow all water to drain from the tank.
- Remove the four cap screws holding the pump housing (volute) to the motor (Figure 8).
- Separate the pump housing (volute) from the motor to expose the diffuser and the seal plate.
- Remove the two cap screws and diffuser from the seal plate to expose the impeller.
- Remove the small end cap on the end of the motor opposite the impeller.
- With a large screwdriver, keep the shaft from rotating and remove the impeller by hand (standard right hand thread). Be sure to hold onto the seal plate when removing the impeller from the shaft.

- Remove the seal plate.
- Pry the rotating shaft seal member (including stainless collar and rubber seal) from the impeller (Figure 9).
- Push or pry the ceramic seat, and rubber seat ring free from the seal plate (Figure 9).
- Remove loose particles from impeller hub and seal plate.

INSTALLING NEW SHAFT SEAL

CAUTION Before handling shaft seal parts wipe hands clean. Dirt or grease MAY damage the seal.

- Wet the inside of the seal cavity on seal plate and the rubber cup enclosing the new ceramic seat with cooking oil. Be careful not to scratch the ceramic surface of the seal seat and push seat enclosed in rubber into seal cavity on seal plate. Use a cardboard washer to protect polished surface when pushing against ceramic seat with any object. Be sure to remove cardboard washer.
- Carefully slip seal plate over shaft. Do not disturb seal position in seal plate. The seal plate must be orientated during assembly so the two screw holes are on a horizontal line across the motor

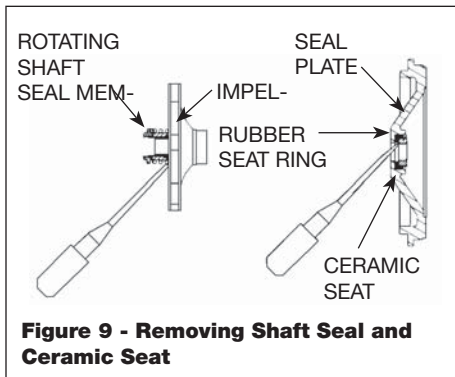


Figure 9 - Removing Shaft Seal and Ceramic Seat

shaft (Figure 10). This placement should be done to ensure proper draining and priming.

- Place rotating shaft seal member in

position on impeller and press into place. Take care not to press against polished seal surface.

- Position impeller on shaft and tighten securely (Figure 11).
- Secure diffuser to seal plate using the two cap screws. Be sure the arrow on the front of the diffuser is pointing up and the screws are orientated on a horizontal line as described in Step 2.
- Carefully position pump housing (volute) gasket over the diffuser onto the seal plate. In all shallow well applications care must be taken that the o-ring is clean and properly positioned on the venturi. Cleaning

Maintenance (Continued)

and positioning makes a good seal inside the diffuser when assembled.

- Assemble the pump housing (volute) to the motor using the four cap screws.

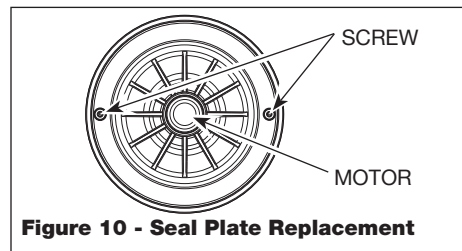


Figure 10 - Seal Plate Replacement

Be sure the pump housing (volute) gasket is positioned correctly and tighten the screws securely.

NOTE: Shaft must rotate freely and motor end cap should be secured before

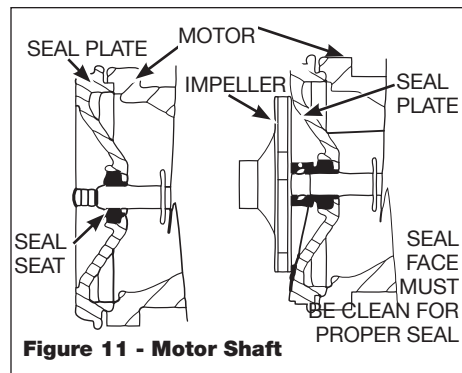


Figure 11 - Motor Shaft

operation.

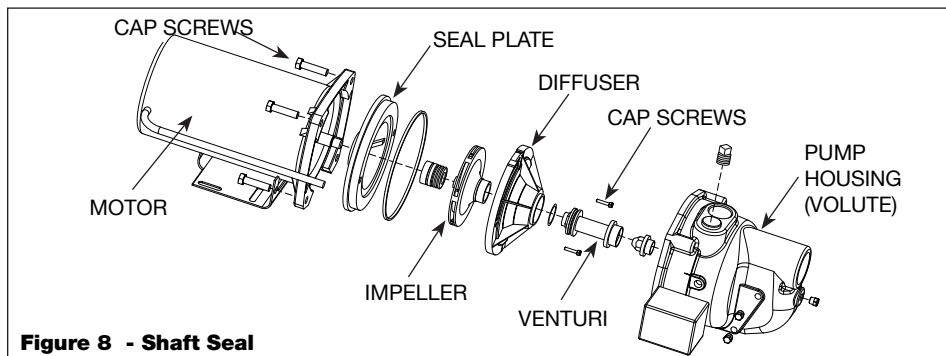


Figure 8 - Shaft Seal

Troubleshooting Chart



ELECTRICAL PRECAUTIONS - Before servicing a pump, ALWAYS shut off the main power breaker and then unplug the pump. Make sure you are NOT standing in water and are wearing insulated protective sole shoes. Under flooded conditions, contact your local electric company or qualified licensed electrician for disconnecting electrical service prior to pump removal.

Symptom	Possible Cause(s)	Corrective Action
Pump will not run	<ol style="list-style-type: none"> 1. Power off 2. Blown fuse or tripped breaker 3. Faulty pressure switch 4. Motor overload tripped 5. Low line voltage 	<ol style="list-style-type: none"> 1. Turn power on or call power company 2. Replace fuse or reset circuit breaker 3. Replace switch 4. Let cool. Overload will automatically reset 5. Contact an electrician
Motor hums but will not run	<ol style="list-style-type: none"> 1. Line voltage does not match selector switch 2. Inadequate wiring 3. Damage or misalignment causing rotating parts to bind 4. Low line voltage 	<ol style="list-style-type: none"> 1. Check line voltage and voltage selector switch (see Figure 6 on page 4) 2. Rewire 3. Replace or take to service shop for repair 4. Contact an electrician
Overload trips	<ol style="list-style-type: none"> 1. Low line voltage 2. Damage or misalignment causing rotating parts to bind 3. High surrounding temperature 4. Rapid cycling 5. Inadequate wiring 	<ol style="list-style-type: none"> 1. Contact an electrician 2. Take to motor repair shop or locate and repair mechanical binding 3. Provide a shaded, well-ventilated area for pump 4. See Pump starts and stops too often section below 5. Rewire
Pump runs but delivers little or no water	<ol style="list-style-type: none"> 1. Water level below pump intake 2. Discharge not vented while priming 	<ol style="list-style-type: none"> 1. Lower suction pipe further into well 2. Open faucet to allow air to vent while priming pump 3. Repair or replace to fix leak 4. Clean or replace to remove obstructions 5. Clear obstruction from nozzle 6. Replace air volume control 7. Clean or replace as needed 8. Continue priming, pausing every 5 minutes to cool pump body. Refill pump as needed 9. Select applicable pump and/or jet assembly 10. Replace as needed 11. Install baffle on pump intake to prevent gas from entering system 12. Inspect and replace 13. Purchase a jet matched to your system 14. Increase horsepower of pump 15. Increase suction plumbing diameter or decrease pipe friction 16. Contact an electrician
NOTE: Check prime before looking for other causes. Unscrew priming plug and see if water is in priming hole.	<ol style="list-style-type: none"> 3. Leak in suction piping 4. Well screen or inlet strainer clogged 5. Clogged nozzle 6. Air volume control diaphragm ruptured 7. Foot valve may be clogged or stuck closed 8. Pump not fully primed 9. Water level below maximum lift specification 10. Undersized piping 11. Gaseous well 12. Distorted venturi 13. Incorrect jet for application 14. Undersized pump 15. Pump cavitates, sounds like pumping gravel 16. Low line voltage 	
Pump starts and stops too often	<ol style="list-style-type: none"> 1. Water logged tank (conventional tank) 2. Air volume control tubing kinked or clogged 3. Air volume control tubing connected to wrong opening on pump 4. Incorrect tank pre-charge (pre-charged tank) 5. Ruptured diaphragm/bladder (pre-charged tank) 6. Leak in house piping 7. Foot valve or check valve stuck open 8. Motor overload tripping 9. Improperly adjusted or damaged pressure switch 	<ol style="list-style-type: none"> 1. Replace tank or air volume control 2. Clean or replace as needed 3. Move to correct pump opening 4. Add or release air as needed 5. Replace tank 6. Locate and repair leak 7. Remove and replace 8. See overload trips section 9. Adjust or replace switch

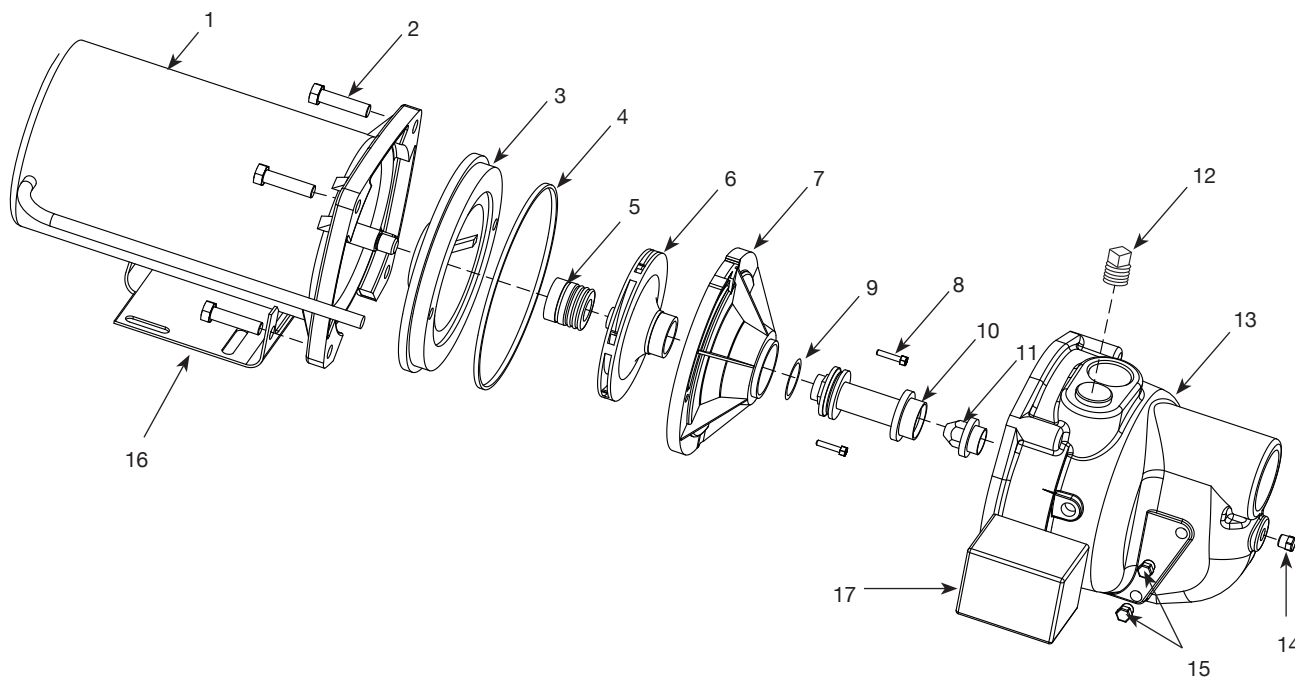
For Replacement Parts, call 1-800-237-0987

Please provide following information:

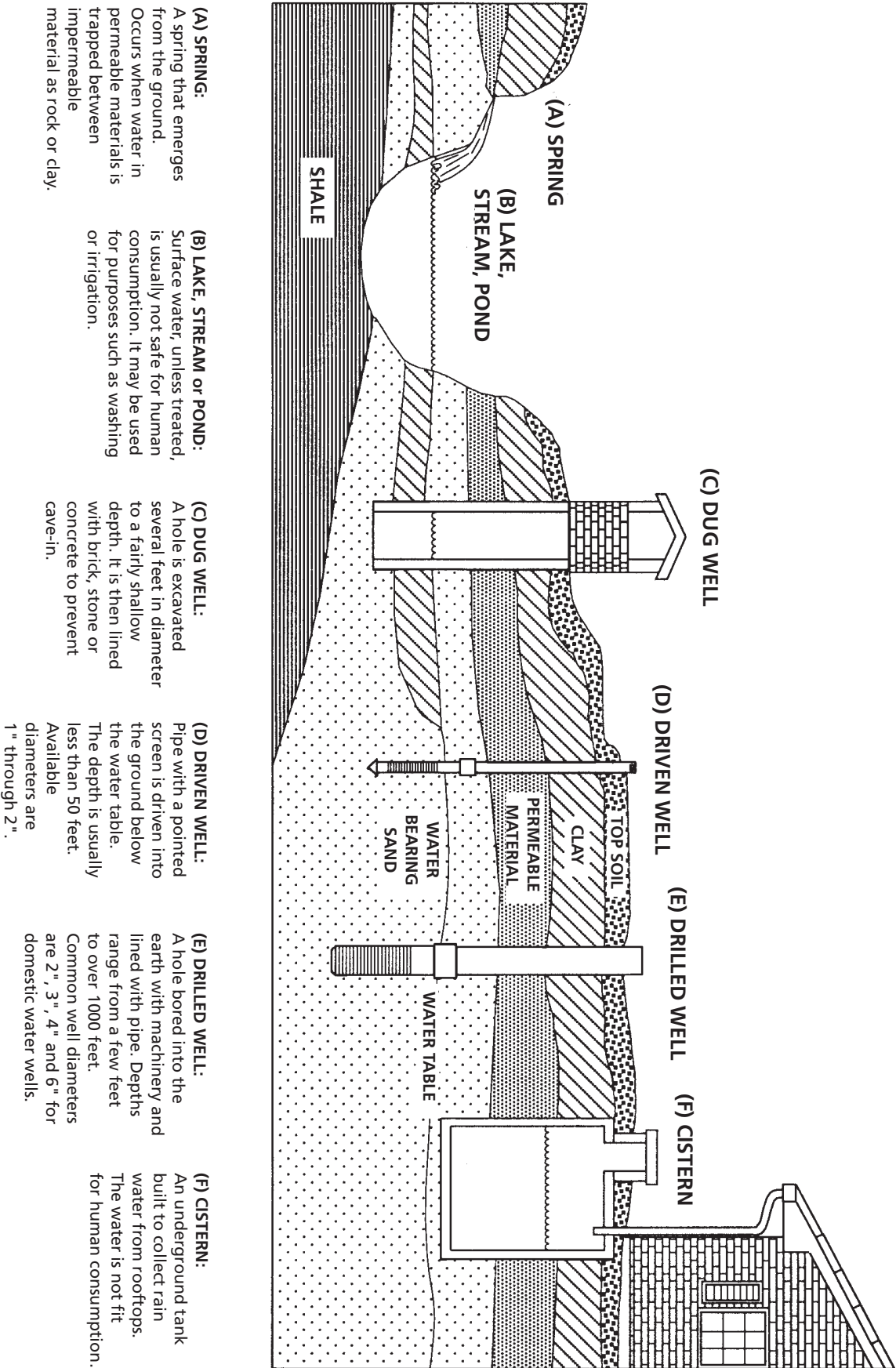
- Model number
- Serial number (if any)
- Part description and number as shown in parts list

Address parts correspondence to:

WAYNE Water Systems
 101 Production Drive
 Harrison, OH 45030 U.S.A.



Ref. No.	Description	Part Numbers			Qty.
		SWS50-1/2 HP	SWS75-3/4 HP	SWS100-1 HP	
1	Motor	32059-001	32142-002	32142-001	1
2	Screw	16636-002	16636-002	16636-002	4
3	Seal plate	4372-001	4372-001	4372-001	1
4	• Square ring rubber gasket	17150-001	17150-001	17150-001	1
5	• Shaft seal assembly	56393	56393	56393	1
6	Impeller	23285-002	23285-002	23285-001	1
7	Diffuser	17148-021	17148-021	17148-021	1
8	Screw	17165-002	17165-002	17165-002	2
9	• O-ring	15557	15557	15557	1
10	Venturi	17151-002	17151-003	17151-004	1
11	Nozzle	15672	15672	15672	1
12	Pipe plug 3/4"	15921	15921	15921	1
13	Volute	56869-001	56869-001	56869-001	1
14	Pipe plug 1/4" NPT	16314-002	16314-002	16314-002	1
15	Pipe plug 1/8" NPT	15766-002	15766-002	15766-002	1
16	Base	23029-001	23029-001	23029-001	1



(A) SPRING:
 A spring that emerges from the ground. Occurs when water in permeable materials is trapped between impermeable material as rock or clay.

(B) LAKE, STREAM or POND:
 Surface water, unless treated, is usually not safe for human consumption. It may be used for purposes such as washing or irrigation.

(C) DUG WELL:
 A hole is excavated several feet in diameter to a fairly shallow depth. It is then lined with brick, stone or concrete to prevent cave-in.

(D) DRIVEN WELL:
 Pipe with a pointed screen is driven into the ground below the water table. The depth is usually less than 50 feet. Available diameters are 1" through 2".

(E) DRILLED WELL:
 A hole bored into the earth with machinery and lined with pipe. Depths range from a few feet to over 1000 feet. Common well diameters are 2", 3", 4" and 6" for domestic water wells.

(F) CISTERN:
 An underground tank built to collect rain water from rooftops. The water is not fit for human consumption.

Figure 12 - Well types

Limited Warranty

For three years from the date of purchase, WAYNE Water Systems ("WAYNE") will repair or replace, at its option, for the original purchaser any part or parts of its Pond Kit, Sump Pumps or Water Pumps ("Product") found upon examination by WAYNE to be defective in materials or workmanship. Please call WAYNE (800-237-0987) for instructions or see your dealer. Be prepared to provide the model and serial number when exercising this warranty. All transportation charges on Products or parts submitted for repair or replacement must be paid by purchaser.

This Limited Warranty does not cover Products which have been damaged as a result of accident, abuse, misuse, neglect, improper installation, improper maintenance, or failure to operate in accordance with WAYNE's written instructions.

THERE IS NO OTHER EXPRESS WARRANTY. IMPLIED WARRANTIES, INCLUDING THOSE OF MERCHANTABILITY AND FITNESS FOR A PARTICULAR PURPOSE, ARE LIMITED TO THREE YEARS FROM THE DATE OF PURCHASE. THIS IS THE EXCLUSIVE REMEDY AND ANY LIABILITY FOR ANY AND ALL INDIRECT OR CONSEQUENTIAL DAMAGES OR EXPENSES WHATSOEVER IS EXCLUDED.

Some states do not allow limitations on how long an implied warranty lasts, or do not allow the exclusions or limitations of incidental or consequential damages, so the above limitations might not apply to you. This limited warranty gives you specific legal rights, and you may also have other legal rights which vary from state to state.

In no event, whether as a result of breach of contract warranty, tort (including negligence) or otherwise, shall WAYNE or its suppliers be liable for any special, consequential, incidental or penal damages including, but not limited to loss of profit or revenues, loss of use of the products or any associated equipment, damage to associated equipment, cost of capital, cost of substitute products, facilities, services or replacement power, downtime costs, or claims of buyer's customers for such damages.

You **MUST** retain your purchase receipt along with this form. In the event you need to exercise a warranty claim, you **MUST** send a **copy** of the purchase receipt along with the material or correspondence. Please call WAYNE (800-237-0987) for return authorization and instructions.

DO NOT MAIL THIS FORM TO WAYNE. Use this form only to maintain your records.

MODEL NO. _____ SERIAL NO. _____ INSTALLATION DATE _____

ATTACH YOUR RECEIPT HERE

S'il vous plaît lire et conserver ces instructions. Lire attentivement avant de monter, installer, utiliser ou de procéder à l'entretien du produit décrit. Se protéger ainsi que les autres en observant toutes les instructions de sécurité, sinon, il y a risque de blessure et/ou dégâts matériels! Conserver ces instructions comme référence.

Instructions d'Utilisation et Manuel de Pièces

Systèmes SWS

Description

Les pompes à jet pour puits de surface sont des pompes à eau à une étage à usage domestique conçues pour le pompage d'eau potable là où la source d'eau est située moins de 7,62 m verticalement de la pompe. Un manostat est standard. La pompe pour puits de surface peut être montée sur un réservoir de pression chargé d'avance, traditionnel, ou autoportant.

Déballage

Lors du déballage de la pompe à jet, l'inspecter soigneusement afin de rechercher toute trace de dommage susceptible de s'être produit en cours de transport. Vérifier pour des pièces délogées, endommagées, ou manquantes.

Directives de Sécurité

Ce manuel contient de l'information très importante de connaître et de savoir qui est fournie pour la SÉCURITÉ et pour ÉVITER LES PROBLÈMES D'ÉQUIPEMENT. Rechercher les symboles suivants pour cette information.

▲ DANGER *DANGER indique une situation hasardeuse imminente qui RÉSULTERA en perte de vie ou blessures graves.*

▲ AVERTISSEMENT *AVERTISSEMENT indique une situation hasardeuse potentielle qui PEUT résulter en perte de vie ou blessures graves.*

▲ ATTENTION *ATTENTION indique une situation hasardeuse potentielle qui PEUT résulter en blessures.*

AVIS *AVIS indique de l'information importante pour ÉVITER le dommage de l'équipement.*

Généralités sur la Sécurité

1. Lire attentivement le manuel d'instructions compris avec le produit. Bien se familiariser avec les contrôles et le fonctionnement correct de l'équipement.
2. Connaître l'application de la pompe, ses limites et tous les risques.

▲ AVERTISSEMENT *TOUJOURS installer une soupape de sûreté correspondante à la classification de pression du système et au taux de débit maximum.*

▲ DANGER *NE PAS pomper les liquides inflammables ou explosifs tels que l'essence, l'huile à chauffage, le kérosène, etc. NE PAS utiliser dans un atmosphère explosif. Pomper seulement de l'eau propre. Le non-respect de cet avertissement MÈNERA à des blessures et/ou à des dommages à la propriété.*

▲ AVERTISSEMENT *Mettre hors circuit et dissiper toute la pression du système avant d'essayer de monter, de déplacer ou de procéder au service ou à l'entretien. Verrouiller le sectionneur de courant en position ouverte (arrêt). Étiqueter le sectionneur de puissance afin d'éviter l'alimentation inattendue.*

3. Purger tous les liquides du système avant de procéder au service.
4. Inspecter la pompe et les pièces détachées du système périodiquement. Procéder à l'entretien ordinaire au besoin (Voir la section Entretien).
5. Sécurité Personnelle:
 - a. Toujours porter des lunettes de sécurité pendant l'utilisation d'une pompe.
 - b. Garder l'endroit de travail propre, pas encombré et bien éclairé. Ranger tous les outils et l'équipement dont on ne se sert pas.
 - c. Garder les visiteurs à distance respectueuse de l'endroit de travail.
 - d. Protéger l'atelier des enfants en utilisant des cadenas et des interrupteurs principaux. Enlever les clés de démarrage.
6. NE PAS pomper de produits chimiques ni de liquides corrosives. Le pompage de ces liquides peut raccourcir la durée des joints et des pièces mobiles de la pompe et NIÉRA la garantie. Pomper seulement de l'eau propre.
7. Couvrir le puits pendant l'installation de la pompe afin d'empêcher le débris de tomber dans le puits qui pourrait contaminer l'eau et endommager les pièces mécaniques internes de pompage.
8. Toujours faire l'essai de l'eau du puits pour la pureté avant l'usage. Contacter votre Ministère de Santé pour la méthode de mise à l'essai.

9. Le système complet de pompe et de tuyaux DOIT être protégé contre les températures inférieures à zéro. Les températures congélatantes peuvent causer le dommage sérieux et nieront la garantie.

10. Ne pas faire fonctionner la pompe au sec, ceci l'endommagera.

▲ AVERTISSEMENT *Risque de secousse électrique! Cette pompe est conçue pour l'installation à l'intérieure seulement.*

▲ AVERTISSEMENT *Risque de secousse électrique! Toute installation de fils doit être effectuée par un électricien certifié ou diplômé.*

11. Avant d'installer la pompe, faites vérifier le circuit électrique par un électricien agréé ou certifié pour s'assurer que le circuit est correctement mis à la terre.
12. S'assurer que la tension de ligne et que la fréquence de la source de courant électrique soient compatibles avec l'installation de fils du moteur.
13. NE PAS essayer de réparer le moteur électrique. Toute réparation sur le moteur doit être effectuée par un électricien agréé.

▲ AVERTISSEMENT *NE JAMAIS toucher un moteur en marche. Les moteurs modernes sont conçus pour le fonctionnement aux températures élevées.*

14. Éviter le tortillement du cordon d'alimentation et protéger le cordon d'alimentation contre les objets pointus, les surfaces chaudes, l'huile et les produits chimiques. Remplacer les cordons endommagés ou usés immédiatement.

15. Garder les doigts et les objets à l'écart des ouvertures telles que celles de ventilation. NE JAMAIS introduire des objets dans le moteur

▲ AVERTISSEMENT *Risque de secousse électrique! NE JAMAIS brancher le fil vert (ou vert et jaune) à une borne sous tension!*

16. Pour réduire le risque de choc électrique. Le moteur doit être mis à la terre avec sûreté afin de protéger contre les secousses électriques.
17. Utiliser un fil de taille suffisante afin de réduire la perte de tension au moteur.

NE PAS manipuler

MÉMENTO: Gardez votre preuve datée d'achat à fin de la garantie! Joignez-la à ce manuel ou classez-la dans un dossier pour plus de sécurité.

Généralités sur la Sécurité (Suite)

⚠ AVERTISSEMENT *la pompe ni le moteur de pompe avec les mains trempes, si debout sur une surface trempée ou humide ou debout dans l'eau. Ceci PEUT résulter en secousse électrique mortelle.*

⚠ ATTENTION *Le moteur de la pompe est équipé d'un protecteur thermique à réenclenchement automatique et PEUT se mettre en marche sans avis. Le déclenchement du protecteur est une indication de surchauffe du moteur suite à l'opération de la pompe à faible hauteur de chute (restriction de faible décharge), tension excessivement haute ou basse, câblage inadéquat, connexions incorrectes du moteur, température ambiante excessive, ventilation inadéquate et/ou pompe ou moteur défectueux.*

Pré-Installation

SOURCES D'EAU

Les sources d'eau possibles sont indiquées sur la Figure 12, à la page 19 Les deux catégories de sources d'eau sont:

L'EAU DE SURFACE

L'eau de lac, ruisseau, étang et/ou réservoir. Cette eau est généralement impropre à la consommation, mais peut être utilisée pour le lavage, l'irrigation ou autres usages domestiques.

EAU SOUTERRAINE

L'eau existe dans la strate souterraine à plusieurs niveaux. De toutes les sources d'eau fraîche sur la terre, seulement 3 pourcent est à la surface, et 97 pourcent est souterraine.

RÉSERVOIRS - ENTREPOSAGE TRADITIONNEL

La fonction du réservoir est de garder une quantité d'eau sous pression. Le réservoir plein contient approximativement 2/3 eau et 1/3 air comprimé. L'air comprimé force l'eau hors du réservoir lorsqu'un robinet est ouvert. Un contrôle de volume d'air remplace automatiquement l'air perdue ou absorbée. L'eau utilisable, ou la capacité

du réservoir est approximativement 1/6 du volume total du réservoir si réglé à un réglage de pression de 20 lb.-40 lb. (Figure 1).

RÉSERVOIRS CHARGÉS D'AVANCE

Un réservoir chargé d'avance a une vessie ou diaphragme qui fonctionne comme une barrière entre l'air comprimé et l'eau. Cette barrière empêche l'absorption d'air dans l'eau et permet l'action par l'air comprimé aux pressions de début plus élevées que la pression atmosphérique (chargé d'avance). Plus d'eau utilisable est fournie par rapport aux réservoirs traditionnels. Les réservoirs chargés d'avance sont spécifiés par rapport aux réservoirs traditionnels. Un réservoir chargé d'avance de 75,7 L aura la même capacité d'eau utilisable qu'un réservoir traditionnel de 151,4 L, mais le réservoir est plus petit (Figure 1).

MANOSTAT

Le manostat est fourni pour l'opération automatique. La pompe se met en marche quand la pression tombe à un réglage de mis en marche réglé d'avance. La pompe s'arrête quand la pression atteint le réglage d'arrêt réglé d'avance.

SYSTÈMES EN PAQUETS

Il y a quatre montages de pompe à jet/réservoir disponibles en paquets (Tableau 1).

PUITS

Un puits nouveau devrait être vidé de sable avant l'installation de la pompe. Le sable pourrait endommager les pièces et le joint de la pompe. Le niveau d'aspiration du puits ne devrait pas dépasser la classification de profondeur maximum de la pompe. Ceci pourrait réduire la capacité de la pompe et la pompe pourrait perdre son amorçage.

Installation

SITUATION

Choisissez un endroit aussi près de la source d'eau que possible. Placer la pompe conformément aux codes nationaux ou locaux. L'équipement doit être protégé contre les éléments. Un bon endroit peut être un sous-sol ou une station de pompage chauffée. S'assurer que la ventilation à la pompe

soit suffisante. La température autour de la pompe ne doit pas dépasser 38°C car ceci peut causer le déclenchement du protecteur de surcharge de moteur.

TUYAUTERIE

Utiliser la tuyauterie en cuivre, en acier, en plastique CPV rigide ou en plastique flexible polyéthylène.

⚠ ATTENTION *L'utilisation des tuyaux flexibles N'EST pas recommandée sur le tuyau d'aspiration (tuyau d'admission).*

Le tuyau doit être propre et libre de rouille ou d'écaillés. Utiliser un composé de joint sur les filets mâles du tuyau métallique. Du ruban d'étanchéité de plombier doit être utilisé avec les filets en plastique. Tous les raccordements doivent être étanches à l'air afin d'assurer le bon fonctionnement.

Incliner tous les tuyaux d'admission en haut vers la pompe afin d'éviter la prise d'air. L'utilisation des raccords ou accouplements de tuyaux près de la pompe peuvent faciliter le démontage pour le service ou l'entreposage. Un tuyau en caoutchouc installé entre le système d'eau et la tuyauterie de maison peut réduire le bruit dans la maison.

TAILLES DE TUYAUX

Les chemins de tuyaux longs et horizontaux l'utilisation de trop de raccords et d'accouplements peuvent diminuer la pression d'eau à cause de pertes par le frottement. Voir le tableau 2 en page 3 pour déterminer la bonne taille de tuyau.

INSTALLATION DE PUITS DE SURFACE

Utiliser une pompe pour puits de surface si la pompe est située à moins de 7,62 m verticalement du niveau d'eau. Les pompes pour puits de surface ont un seul tuyau entre la pompe et la source d'eau (Figure 2).

PUITS FORÉ (FIGURE 12 À LA PAGE 11)

1. Installer un clapet de pied sur la première section de tuyau (Figure 2, Illustration A).
2. Baisser le tuyau dans le puits.
3. Ajouter des tuyaux jusqu'à ce que le clapet soit 1,5 m sous le niveau d'eau le plus bas possible.

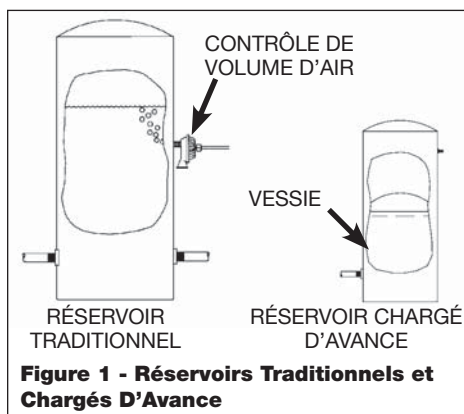


Figure 1 - Réservoirs Traditionnels et Chargés D'Avance

TABLEAU 1 - MONTAGES DE POMPE À JET/RÉSÉROIR

Type	Un contrôleur de volume d'air est requis
Puits X	Chargé d'avance Non
PCA	Chargé d'avance Non
12P & 30P Horizontal	Traditionnel Oui

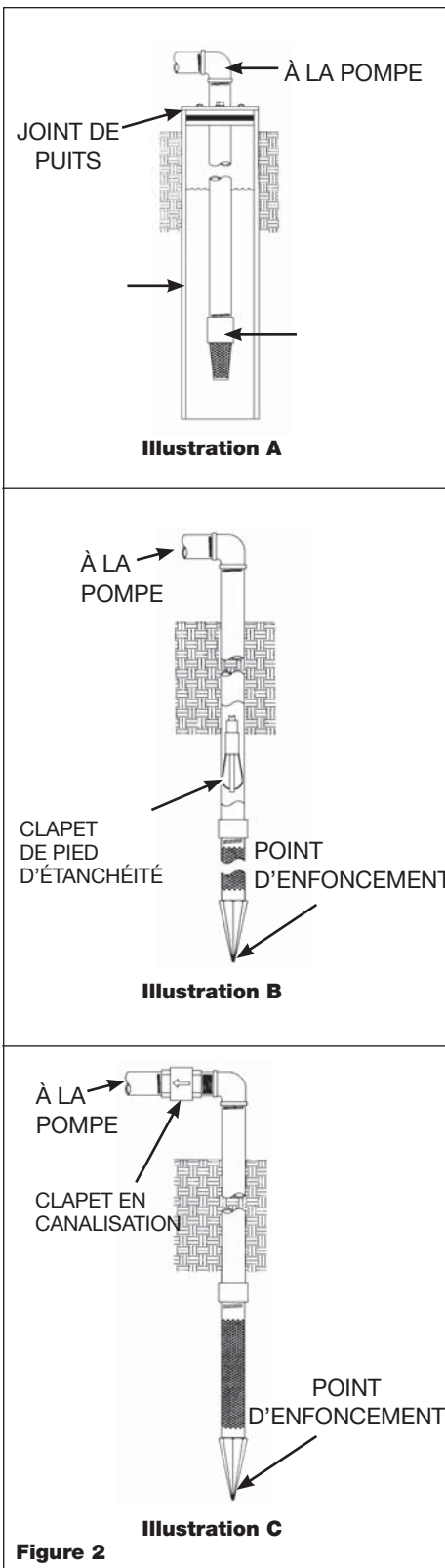


Figure 2

ATTENTION

Le clapet de pied DEVRAIT être à au moins 45,7 cm (18 po) du fond du puits, sinon du sable ou des sédiments POURRAIENT être aspirés dans le système.

- Une fois que la profondeur correcte soit atteinte, installer un joint de puits ou adaptateur pour soutenir le tuyau et pour empêcher la pollution du puits par l'eau de surface ou autres polluants.
- Incliner le tuyau horizontal en haut vers la pompe pour empêcher d'emprisonner l'air. L'inclinaison aide aussi à l'amorçage de la pompe.

PUIITS ENFONCÉ (FIGURE 12 À LA PAGE 11)

- Enfoncer le point plusieurs mètres sous le niveau hydrostatique.

REMARQUE: Un clapet de pied d'étanchéité peut être installé dans le puits (Figure 2, Illustration B). Ce type de clapet de pied permet que le puits se remplisse d'eau pendant l'amorçage et facilite la recherche des fuites. Respectez les instructions du fabricant pendant l'installation du clapet de pied d'étanchéité.

Alternativement, un clapet en canalisation peut être utilisé avec un puits creusé (Figure 2, Illustration C). Le tuyau entre le clapet et le niveau d'eau sera toujours à vide.

Des fuites dans les joints ou dans les accouplements permettront l'air de s'échapper dans le tuyau et causera le fonctionnement anormal de la pompe. S'assurer d'utiliser du composé pour joints sur tous les filets mâles.

INSTALLATION POUR PUIITS CREUSÉS, CITERNES, LACS ET SOURCES (FIGURE 12 À LA PAGE 11)

- Installer un clapet de pied sur le tuyau d'admission et le submerger.

ATTENTION

Le clapet de pied DEVRAIT être à au moins 45,7 cm (18 po) du fond du puits, sinon du sable ou des sédiments POURRAIENT être aspirés dans le système.

REMARQUE: Si un lac est la source d'eau, s'assurer que le tuyau d'admission soit assez profond pour qu'il demeure immergé.

Incliner le tuyau horizontal en haut vers la pompe afin d'éviter d'emprisonner l'air. Enlever le tuyau pendant l'hiver ou le

protéger contre le gel.

Protéger le tuyau contre le dommage causé par les nageurs et les bateaux.

AVERTISSEMENT

Installer un écran autour du tuyau d'admission afin d'empêcher d'emprisonner les nageurs.

POMPE POUR PUIITS DE SURFACE AVEC RÉSERVOIR TRADITIONNEL

- Installer un contrôleur de volume d'air sur le réservoir.
- Brancher le tuyau en cuivre du contrôleur de volume d'air à l'ouverture la plus élevée 1/8 po NPT sur le côté de la pompe et s'assurer que les raccords soient bien serrés. Les fuites peuvent empêcher l'amorçage de la pompe.
- Installer une soupape et un tuyau isolateur entre le réservoir et la tuyauterie de maison afin d'aider à démonter la pompe pour le service et pour réduire le bruit dans la maison.
- Fournir un robinet au point le plus bas du système afin de faciliter le vidange pour le service ou l'entreposage.

POMPE POUR PUIITS DE SURFACE AVEC UN RÉSERVOIR CHARGÉ D'AVANCE

- Couper l'alimentation électrique à la pompe.
- Ouvrir le robinet près du réservoir et permettre que l'eau s'écoule du réservoir.
- Mesurer la charge du réservoir avec un manomètre pour pneus.
- Charger d'avance, si nécessaire avec une pompe à air à 193 - 207 kPa sur les pompes de 1/2, 3/4 et 1 HP.
- Incliner les tuyaux horizontaux en haut vers la pompe afin d'empêcher d'emprisonner l'air. Si la distance horizontale dépasse 7,6 m (25 pi), voir le tableau 2 en page 15 pour la taille de tuyau recommandée.

Électrique

AVERTISSEMENT

Risque de secousse électrique. Cette pompe est conçue pour l'installation à l'intérieure seulement.

La tension de la source d'alimentation doit correspondre avec la tension de la pompe. Les modèles peuvent être transformés à 115/230 volts en tournant le sélecteur de tension à la tension désirée (Voir la Figure 6). Utiliser des pinces à long bec et tirer le sélecteur environ 6,4 mm, tourner, et le fixer dans la position correcte.

TABLEAU 2 - TAILLES DE TUYAUX

Modèle	Pump Opening	Distance Horizontale (Metres)		
		0-7,62	7,93-30,5	7,93-91,4
Puits Profund	Arrivée	1-1/4 po	1-1/2 po	2 po
	Sortie	3/4 po	1 po	1-1/4 po

Installation (Suite)

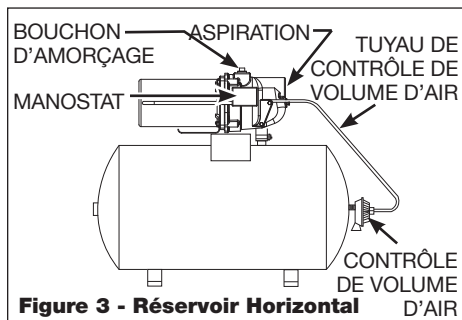


Figure 3 - Réservoir Horizontal

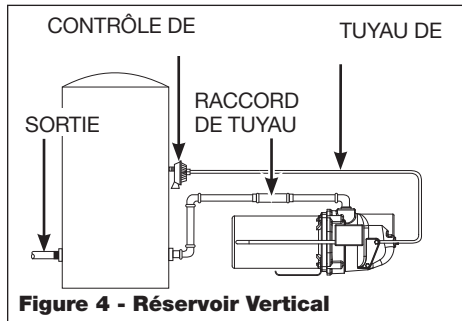


Figure 4 - Réservoir Vertical

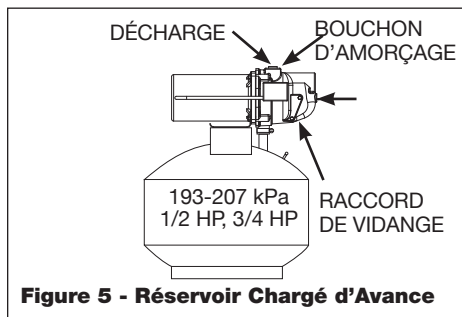


Figure 5 - Réservoir Chargé d'Avance

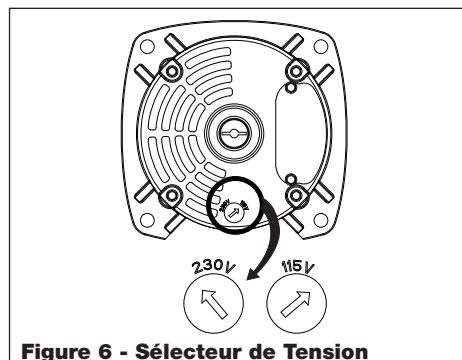


Figure 6 - Sélecteur de Tension

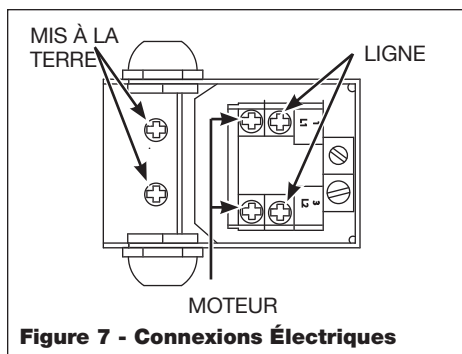


Figure 7 - Connexions Électriques

TABLEAU 3 - RENDRECOMMANDATIONS DE FUSIBLES ET DE FILS - MOTEURS DE 60 HZ

HP	VOLT	Fusible à élément double 250V	Distance en pieds Mètre à Moteur		
			0 to 50	51 to 100	101 to 200
			Taille de fils		
1/2	115	20	14	12	10
	230	10	14	14	14
3/4	115	20	14	12	8
	230	10	14	14	14

Choisissez la taille correcte de fusible et de fil (Tableau 3). Les fusibles à retardement sont recommandés pour la protection des circuits de moteur. Tous les moteurs de pompes ont un protecteur de surcharge automatique qui empêche le dommage au moteur causé par le surchauffage.

AVERTISSEMENT *NE PAS brancher à une source d'alimentation électrique jusqu'à ce que le modèle soit mis à la terre correctement. Connecter le fil de terre à une source de terre approuvée et ensuite connecter la borne fournie.*

Un tuyau d'eau métallique souterrain ou un coffret de puits au moins 3 m de long sont en permanence l'idéal comme électrode de terre. Si un tuyau en plastique ou des raccords isolés sont utilisés, filer un fil directement au coffrage de puits métallique ou utiliser un électrode de terre fournie par la compagnie d'électricité.

Il y a seulement une borne de mise à la terre correcte sur le modèle. La borne(s) est située sous le couvercle du manostat, est peinte verte et est identifiée par les lettres GRD. La connexion de mise à la terre doit être complétée à cette borne (Figure 7). Le fil de terre doit être au moins la même taille que les fils de circuits qui alimentent le moteur.

AVERTISSEMENT *Débrancher de l'alimentation électrique et dissiper toute la pression du système avant d'essayer d'installer, de déplacer ou de procéder au service ou à l'entretien.*

Fonctionnement

AMORÇAGE DE LA POMPE POUR PUIXS DE SURFACE

AVERTISSEMENT *Pour empêcher le dommage à la pompe, NE PAS démarrer le moteur jusqu'à ce que la pompe soit remplie d'eau.*

1. Enlever le bouchon d'amorçage (Figure 3 à la page 16).
2. Remplir la pompe et la tuyauterie complètement d'eau.
3. Remplacer le bouchon d'amorçage.

4. Ouvrir un robinet afin de purger le système.
5. Démarrer le moteur. L'eau commencera à pomper dans quelques minutes. Si la pompe manque d'amorcer dans 5 minutes, arrêter le moteur et remplir la pompe d'eau à nouveau. Le temps d'amorçage dépend du volume d'air dans le tuyau d'admission.
6. Laisser fonctionner le système pendant plusieurs minutes pour faire la chasse d'eau de tous les tuyaux.
7. Fermer le robinet et permettre la pression de s'accumuler dans le réservoir. Quand la pression atteint le réglage d'arrêt réglé d'avance, le moteur s'arrêtera.

Le système est maintenant en marche et fonctionnera automatiquement au besoin.

Entretien

AVERTISSEMENT *Mettre hors circuit et dissiper toute la pression du système avant d'essayer de monter, de déplacer ou de procéder au service ou à l'entretien. Verrouiller le sectionneur de courant en position ouverte (arrêt). Étiqueter le sectionneur de puissance afin d'éviter l'alimentation inattendue.*

ATTENTION *Protéger la pompe contre le gel pendant l'hiver.*

VIDANGE DU RÉSERVOIR

Tous les modèles ont des ouvertures de vidange. Pour vider la pompe:

1. Enlever le bouchon de vidange et le bouchon d'amorçage pour ventiler le système (Figure 5 à la page 16).
2. Purger tous les tuyaux à un point sous la ligne de gel.

VIDANGE DU RÉSERVOIR

Vidanger les réservoirs traditionnels en ouvrant une sortie au point le plus bas du système. Enlever le bouchon ou le contrôle de volume d'air pour ventiler le réservoir.

Les réservoirs chargés d'avance forcent presque toute l'eau du réservoir quand la pression du système est dissipée. Le vidange n'est pas nécessaire.

RELANCEMENT DE LA POMPE

Si la pompe a été réparée, vidangée ou hors service pour un temps prolongé, s'assurer qu'il y ait de l'eau dans le carter de la pompe (volute) et dans la tuyauterie du puits. Il doit toujours y avoir de l'eau dans le carter de la pompe (volute) pendant le fonctionnement afin d'éviter le dommage aux pièces de joints.

RÉSERVOIRS SATURÉS D'EAU: TRADITIONNELS

Quand un système de réservoir a un rapport d'air et eau insuffisant, la pompe se mettra en marche et s'arrêtera souvent et irrégulièrement.

1. Débrancher la source d'alimentation à la pompe.
2. Ouvrir le robinet le plus bas du système pour dissiper toute l'eau pressurisée dans le système.
3. Amorcer la pompe (L'amorçage de la pompe de puits peu profond en page 16).
4. Brancher à nouveau l'alimentation à la pompe.

REMARQUE: Lors du remplissage du réservoir par la pompe, le contrôle de volume d'air fournit le réservoir avec le rapport correct d'air à eau. Si le contrôle de volume d'air est suffisant, la pompe s'arrêtera au réglage d'arrêt réglé d'avance et sera réglée correctement. Si un réservoir chargé d'avance devient saturé d'eau, la cause est normalement une fuite ou la rupture du vessie.

RÉSERVOIRS SATURÉS D'EAU: CHARGÉ D'AVANCE

1. Faire l'essai du réservoir en appuyant sur la soupape d'air. De l'eau sortirait de la soupape si la vessie est cassée.
2. Remplacer le réservoir si il est cassé.

REMARQUE: La vessie ne peut pas être remplacée, le réservoir doit être remplacé.

GRAISSAGE

Les roulements utilisés dans les pompes sont graissés en permanence à l'usine et n'exigent aucun graissage.

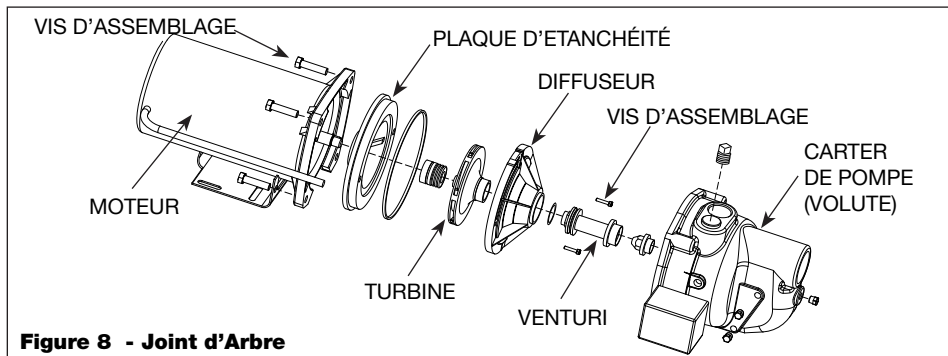


Figure 8 - Joint d'Arbre

RÉSERVOIR CHARGÉ D'AVANCE

Un peu d'air est perdu à travers la vessie dans tous les réservoirs. Pour éviter la panne du réservoir, vérifier la charge du réservoir annuellement.

1. Mettre la pompe hors tension pour que l'eau ne remplisse pas le réservoir préchargé.
2. Ouvrir un robinet près du réservoir et permettre le vidange d'eau du réservoir.
3. Mesurer la charge du réservoir à la tige de soupape avec un manomètre pour pneus.
4. Régler la charge au besoin avec une pompe à air 172 - 207 kPa sur les pompes de 1/2, 3/4 et 1 HP.
5. Remettre la pompe sous tension.

ENLEVER LE VIEUX JOINT D'ARBRE

AVERTISSEMENT Mettre hors tension et ensuite dissiper toute la pression du système avant d'essayer d'installer, de réparer, de déplacer ou de procéder à l'entretien.

1. Mettre la pompe hors tension.
2. Ouvrir un robinet près du réservoir et vidanger toute l'eau du réservoir.
3. Enlever les quatre vis d'assemblage du carter de la pompe (volute) (Figure 8).
4. Séparer le carter de la pompe (volute) du moteur afin d'exposer le diffuseur et la plaque d'étanchéité.
5. Enlever les deux vis d'assemblage et le diffuseur de la plaque d'étanchéité afin d'exposer la turbine.
6. Enlever le petit bouchon sur le bout du moteur au sens opposé de la turbine.
7. Avec un tournevis large, empêcher la rotation de l'arbre et enlever la turbine avec la main (filet standard à droite). S'assurer de bien tenir la plaque d'étanchéité en fonte pendant l'enlèvement de la turbine de l'arbre.
8. Enlever la plaque d'étanchéité.
9. Sortir la section du joint de l'arbre

rotatif (incluant le col d'inoxydable et la garniture de caoutchouc) de l'impulseur (figure 9).

10. Pousser ou sortir et dégager le siège de céramique, et la bague du siège en caoutchouc de la plaque de joint (figure 9).
11. Enlever les particules dégagées de l'évasement de la turbine et de la plaque d'étanchéité.

INSTALLATION D'UN NOUVEAU JOINT D'ARBRE

ATTENTION Bien essuyer les mains avant de manipuler les pièces du joint d'arbre. La saleté ou la graisse PEUT endommager le joint.

AVERTISSEMENT Mettre hors tension et ensuite dissiper toute la pression du système avant d'essayer d'installer, de réparer, de déplacer ou de procéder à l'entretien.

1. Tremper l'intérieur du creux de joint sur la plaque d'étanchéité et la cuvette en caoutchouc autour du siège céramique avec de l'huile pour la cuisine. Prenez soin de ne pas égratigner la surface céramique du siège de joint enveloppé de caoutchouc dans le creux de joint sur la plaque d'étanchéité. Utiliser une rondelle en carton pour protéger la surface polie lorsque vous appuyez sur le siège céramique avec un objet. Enlever la rondelle en carton.
2. Glisser la plaque d'étanchéité soigneusement par dessus l'arbre afin de ne pas bouger la position du joint dans la plaque d'étanchéité. La plaque de joint doit être orientée durant

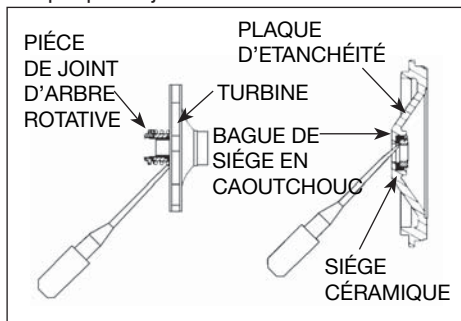


Figure 9 - Enlever le Joint d'Arbre et le Siège Céramique

Entretien (Suite)

l'assemblage pour que les deux trous de vis soient à l'horizontale à travers l'arbre du moteur (figure 10). Ce placement assure le vidange et l'amorçage correct.

3. Positionner la pièce du joint d'arbre rotative sur la turbine et appuyer soigneusement afin de ne pas appuyer sur la surface polie du joint. .
4. Positionner la turbine sur l'arbre et bien serrer (Voir Figure 11).
5. Fixer le diffuseur à la plaque d'étanchéité avec les deux vis d'assemblage. S'assurer que la flèche à l'avant du diffuseur pointe vers le haut et que les vis sont orientées à l'horizontale selon la description de l'étape 2.
6. Positionner le joint d'étanchéité du carter de la pompe (volute) par dessus le diffuseur sur la plaque d'étanchéité. Ceci crée un joint étanche dans le diffuseur.
7. Monter le carter de la pompe (volute) au moteur avec les quatre vis d'assemblage. S'assurer que le joint d'étanchéité du carter de la pompe (volute) soit en bonne position et que les vis soient bien serrées.

REMARQUE: L'arbre doit pivoter librement et le bouchon du moteur doit être bien fixé avant l'opération.

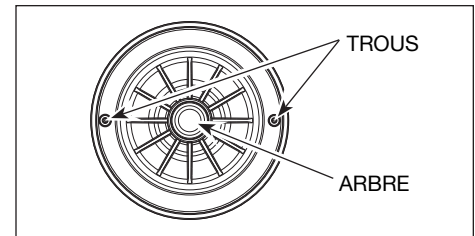


Figure 10 - Remplacement de Plaque d'Etanchéité

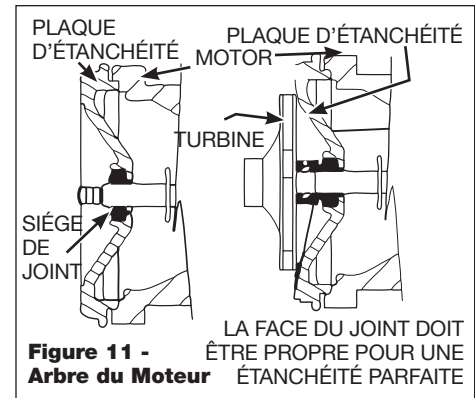


Figure 11 - Arbre du Moteur

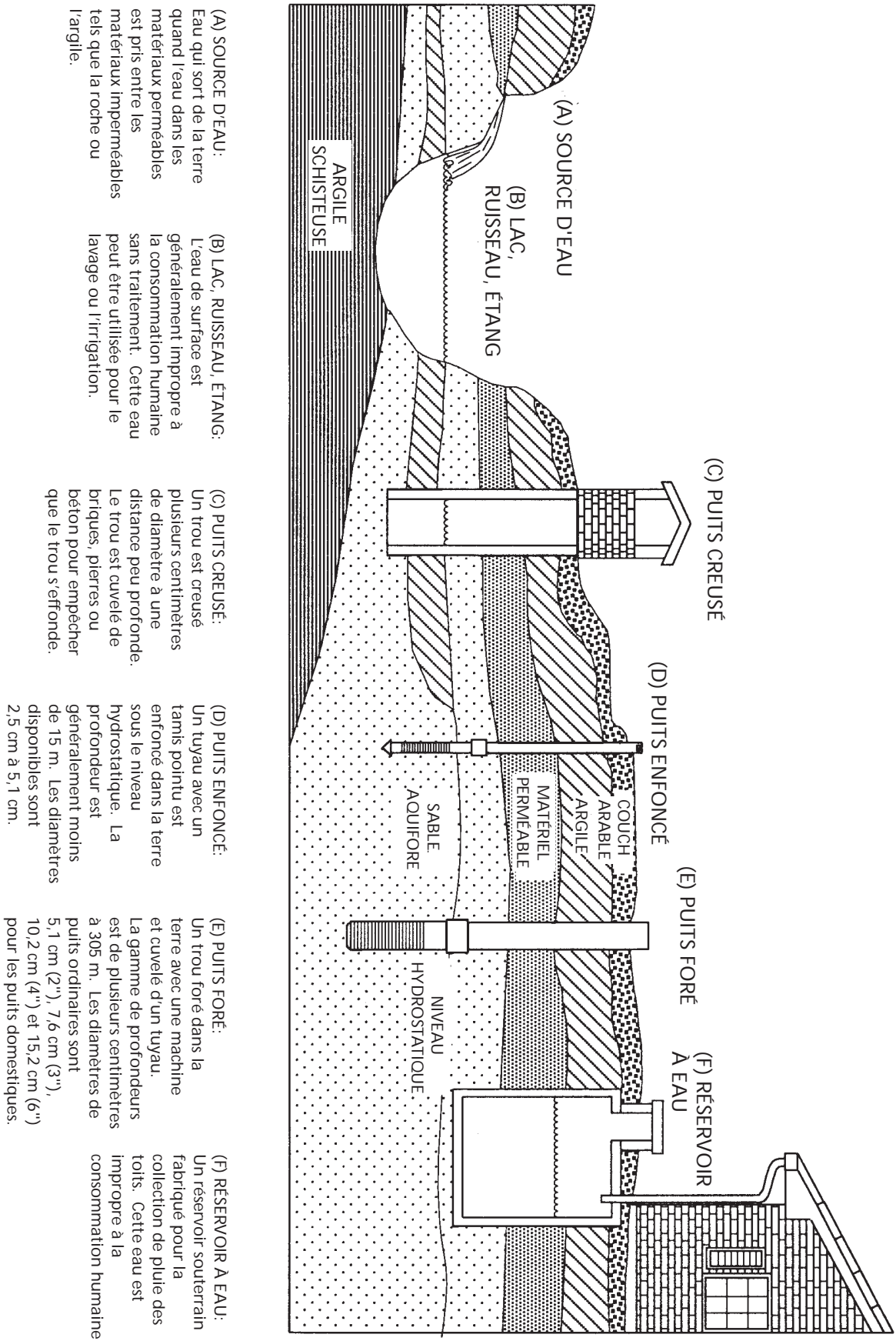


Figure 12 - Types de puits

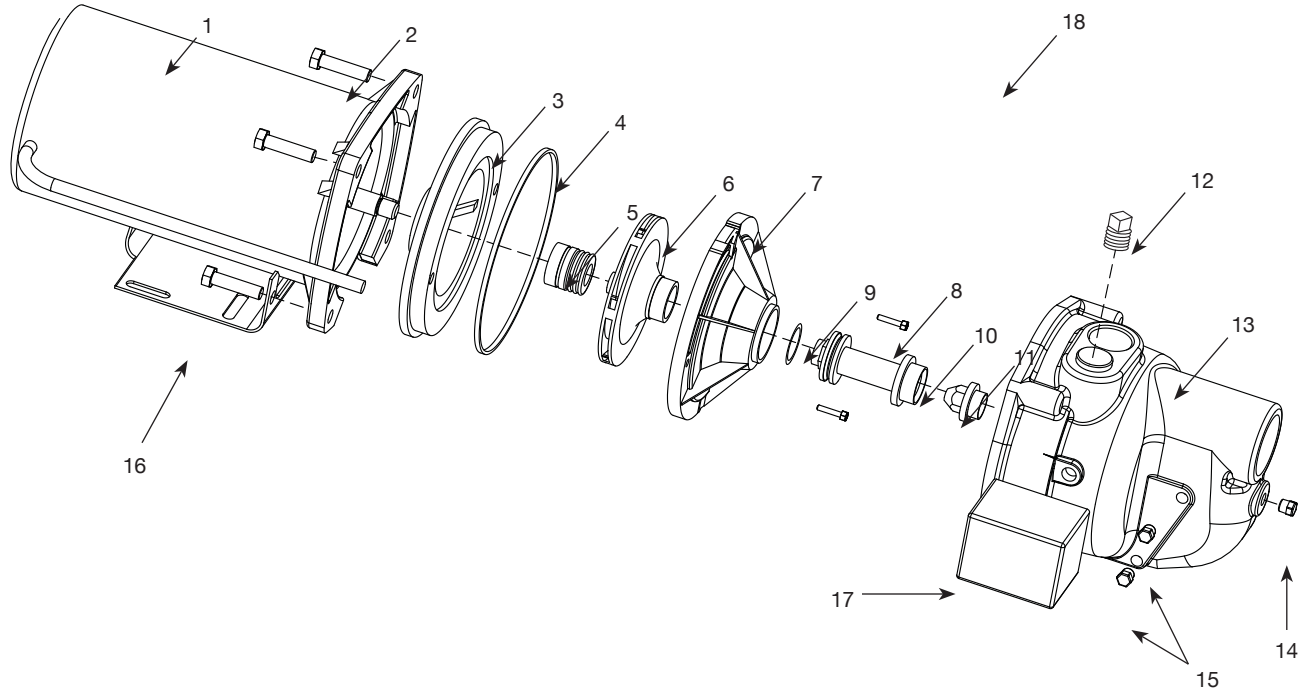
**Pour Pièces de Rechange ou assistance technique,
appeler 1-800-237-0987**

S'il vous plaît fournir l'information suivante:

- Numéro du modèle
- Code Estampé
- Description et numéro de la pièce

Adresser toute correspondance à:

WAYNE Water Systems
101 Production Drive
Harrison, OH 45030 U.S.A.



No. de Ref.	Description	Numéro de Pièces			Qté.
		SWS50-1/2 HP	SWS75-3/4 HP	SWS100-1 HP	
1	Moteur	32059-001	32142-002	32142-001	1
2	Vis	16636-002	16636-002	16636-002	4
3	Plaque d'étanchéité	4372-001	4372-001	4372-001	1
4	• Joint d'étanchéité carré en caoutchouc	17150-001	17150-001	17150-001	1
5	• Montage de joint d'arbre	56393	56393	56393	1
6	Impulseur	23285-002	23285-002	23285-001	1
7	Diffuseur	17148-021	17148-021	17148-021	1
8	Vis	17165-002	17165-002	17165-002	2
9	• Joint torique	15557	15557	15557	1
10	Venturi	17151-002	17151-003	17151-004	1
11	Buse	15672	15672	15672	1
12	Bouchon mâle 1,9 cm (3/4 po)	15921	15921	15921	1
13	Volute	56869-001	56869-001	56869-001	1
14	Bouchon mâle 1/4 po NPT	16314-002	16314-002	16314-002	1
15	Bouchon mâle 1/8 po NPT	15766-002	15766-002	15766-002	1
16	Base	23029-001	23029-001	23029-001	1
17	Pressostat	30010-001	30010-001	30010-001	1

Guide de Dépannage



PRÉCAUTIONS ÉLECTRIQUES - Avant tout entretien ou réparation de pompe, TOUJOURS couper le courant au disjoncteur, puis débrancher la pompe. S'assurer de NE PAS être debout dans l'eau et de porter des chaussures à semelles de protection isolées. Sous des conditions d'inondation, contacter la société locale d'électricité ou un électricien agréé qualifié pour couper le service électrique avant le retrait de la pompe.

Symptôme	Cause(s) Possible(s)	Mesure Corrective
La pompe ne fonctionne pas	<ol style="list-style-type: none"> Hors tension Fusible grillé ou disjoncteur déclenché Pressostat défectueux Surcharge déclenchée du moteur Basse tension de ligne 	<ol style="list-style-type: none"> Mettre sous tension ou appeler les services publics d'électricité Remplacer le fusible ou fermer le disjoncteur Remplacer l'interrupteur Laisser refroidir. L'interrupteur de surcharge se réinitialisera automatiquement Contacteur un électricien
le moteur bourdonne mais ne fonctionne pas	<ol style="list-style-type: none"> La tension de ligne ne correspond pas au sélecteur Câblage inadéquat Dommage ou défaut d'alignement amenant les pièces rotatives à gripper Basse tension de ligne 	<ol style="list-style-type: none"> Vérifier la tension de ligne et le sélecteur de tension (voir figure 6 en page 26) Recâbler les fils Remplacer ou remettre à un atelier de réparation Contacteur un électricien
Surcharge déclenchée	<ol style="list-style-type: none"> Basse tension de ligne Dommage ou défaut d'alignement amenant les pièces rotatives à gripper Température ambiante élevée Cycle rapide Câblage inadéquat 	<ol style="list-style-type: none"> Contacteur un électricien Remettre à un atelier de réparation de moteur ou localiser et réparer le grippage Trouver un endroit ombragé et bien aéré pour la pompe Voir la section « La pompe démarre et s'arrête trop souvent » ci-dessous Recâbler les fils
La pompe fonctionne, mais donne peu ou aucune eau	<ol style="list-style-type: none"> Le niveau d'eau est en dessous de l'entrée de la pompe La décharge n'est pas purgée au moment de l'amorçage Fuite dans le tuyau d'aspiration La décharge n'est pas purgée au moment de l'amorçage Embout bloqué La membrane du contrôleur du volume d'air est rompue Le clapet de pied est peut-être obstrué ou bloqué en position fermée La pompe n'est pas complètement amorcée Le niveau d'eau est en dessous de l'élévation maximale spécifiée Tuyauterie sousdimensionnée Puits gazeux Venturi déformé Jet inadéquat pour l'application Pompe sous dimensionnée La pompe cavite, résonne comme un pompage de gravier Basse tension de ligne 	<ol style="list-style-type: none"> Faire descendre le tuyau d'aspiration plus bas dans le puits Ouvrir le robinet pour évacuer tandis que la pompe est amorcée Réparer ou remplacer pour corriger la fuite Nettoyer ou remplacer pour éliminer toutes obstructions Dégager l'embout de toute obstruction Remplacer le Contrôle de volume d'air Nettoyer ou remplacer au besoin Reprendre l'amorçage, en marquant d'une pause toutes les 5 minutes pour refroidir le corps de la pompe. Remplir la pompe au besoin Choisir la pompe disponible et/ou l'assemblage du jet Remplacer au besoin Installer un déflecteur à l'entrée de la pompe pour éviter que du gaz n'infiltré le système Inspecter et remplacer. Acheter un jet assorti à votre système Augmenter la puissance de la pompe Augmenter le diamètre de la tuyauterie d'aspiration ou diminuer la friction du tuyau Contacteur un électricien
La pompe démarre et s'arrête trop souvent	<ol style="list-style-type: none"> Réservoir inondé d'eau (réservoir traditionnel) Le tuyau du contrôleur de volume d'air est tordu ou obstrué Le tuyau du contrôleur de volume d'air est raccordé à la mauvaise ouverture sur la pompe Précharge incorrecte du réservoir (réservoir préchargé) Membrane/paroi souple rompue (réservoir préchargé) Fuite de la tuyauterie de la maison Clapet de pied ou clapet de non-retour Surcharge déclenchée du moteur Pressostat endommagé ou pas ajusté correctement 	<ol style="list-style-type: none"> Remplacer le réservoir ou le contrôleur de volume d'air Nettoyer ou remplacer au besoin. Déplacer vers l'ouverture de pompe correcte Ajouter ou libérer de l'air au besoin Remplacer le réservoir Localiser et réparer la fuite Retirer et remplacer Voir la section « Surcharge déclenchée » Ajuster ou remplacer l'interrupteur.

Garantie Limitée

Pendant trois (3) ans à compter de la date d'achat, WAYNE Water Systems ("WAYNE") va réparer ou remplacer, à sa discrétion, pour l'acheteur original toute pièce ou pièces du Kit D'Étang, de ces Pompes De Puisard ou Pompes À Eau ("Produit") déterminées défectueuses, par WAYNE, soit pour les matériaux ou la fabrication. Veuillez appeler WAYNE (800-237-0987) pour des instructions ou contacter votre marchand. S'assurer d'avoir, à sa disposition, le numéro du modèle afin d'effectuer cette garantie. Les frais de transport des Produits ou pièces soumis pour leur réparation ou leur remplacement sont la responsabilité de l'acheteur.

Cette Garantie Limitée ne couvre pas les Produits qui se sont fait endommagés suite à un accident, une utilisation abusive, un mauvais usage, de la négligence, une mauvaise installation, un mauvais entretien, ou une utilisation non conforme aux instructions écrites de WAYNE

IL N'EXISTE AUCUNE AUTRE GARANTIE OU DÉCLARATION. LES GARANTIES EXPRESSES, Y COMPRIS CELLES DE COMMERCIALISABILITÉ ET D'ADAPTATION À UNE FONCTION PARTICULIÈRE, SONT LIMITÉES À DEUX (2) ANS À COMPTER DE LA DATE D'ACHAT. CECI EST LE SEUL RECOURS EXCLUSIF ET TOUTE AUTRE RESPONSABILITÉ POUR TOUT AUTRE DOMMAGE QUELCONQUE INDIRECT OU DÉPENSES QUELCONQUES SONT EXCLUS.

Certaines Provinces n'autorisent pas de limites de durée pour les garanties implicites, ni l'exclusion ni la limite des dommages fortuits ou indirects. Les limites précédentes peuvent donc ne pas s'appliquer. Cette garantie limitée donne à l'acheteur, des droits légaux précis, et vous pouvez avoir d'autres droits légaux qui varient d'une Province ou d'un État à l'autre.

En aucun cas, soit par suite d'une rupture de contrat de garantie, acte dommageable (y compris la négligence) ou autrement, ni WAYNE ni ses fournisseurs ne seront tenus responsables pour aucun dommage spécial, indirect ou pénal, y compris, mais sans s'y limiter la perte de profits ou recettes, la perte d'usage des produits ou n'importe quel équipement associé, dommage à l'équipement associé, coût de capital, coût de produits remplaçants, aménagements, services ou capacité de remplacement, coût de temps que le produit n'est pas en service, ou réclamation des clients de l'acheteur pour ces dommages.

Vous **DEVEZ** garder votre reçu d'achat avec ce bulletin. Il est **NÉCESSAIRE** d'envoyer une **copie** du reçu d'achat avec le produit ou la correspondance afin d'effectuer une réclamation sous la garantie. Veuillez appeler WAYNE (800-237-0987) pour l'autorisation et les instructions concernant le renvoi.

NE PAS ENVOYER, PAR LA POSTE, CE BULLETIN À WAYNE. Utiliser ce bulletin seulement pour vos archives.

N° DU MODÈLE _____ **N° DE SÉRIE** _____ **DATE D'INSTALLATION** _____

FIXER VOTRE FACTURE ICI

Sírvase leer y conservar estas instrucciones. Léalas con cuidado antes de intentar armar, instalar, operar o efectuar mantenimiento al producto descrito. Protéjase a sí mismo y a los demás observando la información de seguridad. El no cumplir con estas instrucciones podría provocar lesiones personales y/o daños materiales. Conserve estas instrucciones para futura referencia.

Manuel de Instrucciones y Lista de Piezas

Sistemas SWS

Descripción

Las bombas de chorro para pozos poco profundos son bombas de agua de una sola etapa para uso doméstico y diseñadas para bomear agua potable en aplicaciones, en las culas, el agua está a menos de 6,62 m (25 pies) de la bomba en sentido vertical. Las bombas para pozos profundos incluyen un interruptor que funciona con la presión como característica estándar. Las bombas para pozos poco profundos se pueden montar en tanques precargados, convencionales o independientes a presión.

Para Desempacar

Al desempacar este producto, revíselo con cuidado para cerciorarse de que este en perfecto estado. Igualmente, cerciorese de apretar todos los pernos, tuercas y conexiones antes de usarlo.

Medidas de Seguridad

Este manual contiene información que es muy importante que sepa y comprenda. Esta información se la suministramos como medida de SEGURIDAD y para EVITAR PROBLEMAS CON EL EQUIPO.

PELIGRO PELIGRO le indica que hay una situación inmediata que le OCASIONARÍA la muerte o heridas de gravedad.

ADVERTENCIA ADVERTENCIA le indica que hay una situación que PODRÍA ocasionarle la muerte o heridas de gravedad.

PRECAUCION PRECAUCION le indica que hay una situación que PODRÍA ocasionarle heridas no muy graves.

AVISO AVISO le indica una información importante, que de NO seguirla, le PODRÍA ocasionar daños al equipo.

Informaciones Generales de Seguridad

1. Lea con atención el manual de instrucciones incluido con este producto. Familiarícese bien con los controles y el uso adecuado del equipo.
2. Conozca las aplicaciones, las limitaciones y los posibles peligros de la bomba.

ADVERTENCIA Instale SIEMPRE una válvula de alivio de la presión para que la presión del sistema y el flujo máximo correspondan con los que debe tener el sistema.

PELIGRO NO use la bomba para líquidos inflamables ni explosivos como gasolina, aceite, querosén, etc. NO la use en ambientes explosivos. Bombeo únicamente agua limpia. El no seguir esta advertencia RESULTARÁ en lesiones personales y/o daños a la propiedad.

ADVERTENCIA Desconecte la corriente eléctrica y libere toda la presión del sistema antes de intentar instalar, darle servicio, mantenimiento o cambiarlo de lugar. Trabe la desconexión de la energía en la posición abierta (off). Etiquete la conexión de la energía para evitar la aplicación de energía inesperada.

3. Antes de darle servicio, drene todos los líquidos del sistema.
4. Inspeccione periódicamente la bomba y los componentes del sistema. Lleve a cabo el mantenimiento de rutina según sea necesario (Vea Mantenimiento).
5. Seguridad personal:
 - a. Use anteojos de seguridad todo el tiempo que trabaje con la bomba.
 - b. Mantenga la zona de trabajo despejada, limpia y con la iluminación adecuada, guarde todas las herramientas y el equipo que no se hayan usado.
 - c. Mantenga a los visitantes a una distancia segura de la zona de trabajo.
 - d. Haga que el taller sea a "prueba de niños," use candados, interruptores maestros y retire las llaves de arranque.
6. NO bombee químicos ni líquidos corrosivos. El bombee ese tipo de líquidos acorta la vida de los sellos de las bombas y las piezas móviles e INVALIDARÁ la garantía. Bombeo únicamente agua limpia.
7. Cuando instale la bomba, cubra el pozo para evitar que caigan dentro materiales extraños y contaminen el agua y dañen los componentes mecánicos internos de la bomba.
8. Antes de usar el agua, haga siempre controles de pureza. Pregunte en el departamento de salud local sobre el procedimiento para los controles.
9. El sistema completo de la bomba y la tubería DEBE estar protegido contra temperaturas por debajo del punto de congelamiento. Las temperaturas de

congelamiento pueden causar daños serios e invalidar la garantía.

10. No haga funcionar la bomba en seco, si lo hace, se puede dañar.

ADVERTENCIA Existe riesgo de un choque eléctrico! Está bomba está diseñada únicamente para ser instalada en interiores.

ADVERTENCIA Existe riesgo de un choque eléctrico! Todas las conexiones eléctricas las debe hacer un electricista certificado o con licencia.

11. Antes de instalar la bomba, solicite a un electricista licenciado o certificado que verifique el circuito eléctrico para asegurarse de que esté debidamente conectado a tierra.
12. Asegúrese de que las conexiones eléctricas del motor sean adecuadas para el voltaje y la frecuencia de la línea de suministro eléctrico.
13. NO intente reparar el motor eléctrico. Todas las reparaciones realizadas al motor deberán efectuarse con un electricista licenciado.

ADVERTENCIA NO toque un motor en funcionamiento. Los motores modernos están diseñados para trabajar a altas temperaturas.

14. Evite doblar el cordón de electricidad y protéjalo de objetos cortantes, superficies calientes, aceite y químicos. Reemplace los cordones dañados o gastados de inmediato.
15. Mantenga los dedos y los objetos extraños alejados de la ventilación y otras aberturas. NO inserte ningún objeto en el motor.

ADVERTENCIA Existe riesgo de un choque eléctrico! NUNCA conecte el alambre verde (o el verde y amarillo) a un terminal con corriente.

16. Para reducir el riesgo de choque eléctrico. Para la protección contra el choque eléctrico, el motor debe estar conectado a tierra en forma segura y adecuada.
17. Use alambres del tamaño adecuado para reducir al mínimo la caída de voltaje en el motor.

RECORDATORIO: ¡Guarde su comprobante de compra con fecha para fines de la garantía! Adjúntela a este manual o archívela en lugar seguro.

Informaciones Generales de Seguridad (Continuación)

ADVERTENCIA *NO manipule la bomba ni su motor con las manos mojadas, ni cuando esté parado en superficies húmedas, mojadas o en el agua. PUEDE ocurrir un choque eléctrico fatal.*

PRECAUCION *El motor de la bomba está equipado con un protector automático termal de recalibración por lo que PUEDE volver a funcionar en forma inesperada. El accionamiento del protector indica un recalentamiento del motor debido a que la bomba está funcionando en saltos bajos (restricción de descarga baja), voltajes excesivamente altos o bajos, un cableado inadecuado, conexiones incorrectas del motor, temperatura excesiva del aire que lo rodea, ventilación inadecuada y/o un motor o bomba defectuosos.*

Pre-Instalación

FUENTES DE SUMINISTRO DE AGUA

Las posibles fuentes de suministro de agua se ilustran en la Figura 12, en la página 31. Se pueden clasificar en dos categorías:

AGUAS DE SUPERFICIE

Agua de un lago, arroyo, laguna y/o cisterna. Esta agua habitualmente no es adecuada para consumo humano, pero podría usarse para lavar, irrigar u otros usos domésticos.

AGUAS SUBTERRÁNEAS

El agua que se encuentra en los diversos estratos por debajo de la superficie. De toda el agua dulce que se encuentra en la tierra, solamente el 3% está en la superficie y el 97% es subterránea.

TANQUES - ALMACENAMIENTO CONVENCIONAL

El objeto de un tanque es almacenar una cantidad de agua bajo presión. Cuando está lleno, el tanque contiene aproximadamente 2/3 de agua y 1/3 de aire comprimido. El aire comprimido fuerza el agua a salir del tanque cuando se abre

un grifo. Un control del volumen de aire reemplaza automáticamente el aire perdido o absorbido por el agua. La cantidad de agua utilizable o la capacidad de vaciado es aproximadamente 1/6 del volumen total del tanque cuando se hace funcionar a una presión de 20 lb.-40 lb. (Figure 1).

TANQUES - ALMACENAMIENTO PRECARGADO

Un tanque de almacenamiento precargado tiene una cámara elástica o un diafragma flexible que funciona como una barrera entre el aire comprimido y el agua. Esta barrera evita que el aire sea absorbido por el agua y permite que el agua reciba el efecto del aire comprimido a una presión inicialmente más alta que la presión atmosférica (precargado). Este tipo de tanque proporciona más agua que los tanques convencionales. Por ejemplo, un tanque precargado de 75,7 L (20 galones) rendirá la misma cantidad de agua utilizable o capacidad de vaciado que un tanque convencional de 151,4 L (40 galones), con la ventaja de que el tanques es más pequeño. (Figura 1).

PRESOSTATO

El interruptor que funciona con la presión permite la operación automática. La bomba comienza a funcionar cuando la presión baja al nivel límite establecido para funcionar y dejará de hacerlo cuando la presión llegue al nivel límite establecido para apagarse.

PAQUETES DE SISTEMAS

Hay cuatro ensamblados de bomba y tanque que se venden como paquettes (Tabla 1).

POZOS

Un pozo nuevo debe bombearse para que quede sin arena antes de instalar la bomba. La arena dañará las piezas y los sellos de la bomba. El nivel más bajo del pozo no debe exceder la profundidad máxima permitida para la bomba. Esto haría que se reduzca la capacidad de la bomba y se podría perder el cebado.

Asegúrese de cumplir con los códigos estatales o locales sobre ubicación de bombas. El equipo debe protegerse de la intemperie. Una buena ubicación es un sótano o una casita de bombeo calentada. Cerciórese de que la bomba tenga una ventilación adecuada. La temperatura alrededor de la bomba no debe exceder de 38° C (100°) ya que podrían ocurrir desconexiones molestas del motor por estar sobrecargado.

TUBERÍA

La tubería puede ser de cobre, acero, PVC plástico rígido o polietileno plástico flexible.

PRECAUCION *NO se recomienda tubería flexible para el tubo de succión (tubo de entrada).*

Los tubos deben estar limpios y no estar oxidados ni con descamaciones. Utilice un compuesto para conexiones de tubería en el roscado macho de los tubos de metal. Debe usarse cinta selladora con las roscas plásticas. Todas las conexiones deben estar herméticas para asegurar un funcionamiento normal.

Incline todas las tuberías de entrada hacia arriba en dirección a la bomba para evitar que quede aire atrapado. Se pueden instalar uniones o conectores de manguera cerca de la bomba para que sea fácil sacarlas cuando se necesite dar servicio o almacenarlas. Una manguera de caucho instalada entre el sistema de agua y la tubería de la casa reducirá el ruido que se transmite a la casa.

TAMANOS DE LOS TUBOS

Los tendidos largos de la tubería horizontal y el uso de numerosos adaptadores y conectores disminuyen la presión de agua debido a la pérdida por fricción. Consulte la Tabla 2 en la página 25 para determinar el tamaño correcto de tubería.

INSTALACIÓN EN POZOS POCO PROFUNDOS

Se puede usar una bomba para pozos poco profundos cuando esta ubicada dentro de los 25 pies en sentido vertical del nivel de agua. Las bombas para pozos poco profundos tienen un solo tubo entre la bomba y la fuente de suministro de agua (Figura 2).

POZO PERFORADO (FIGURA 12 EN LA

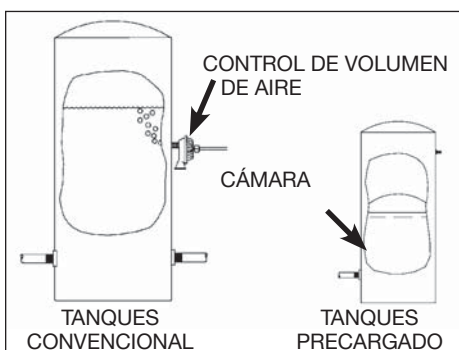


Figure 1 - Tanque de Almacenamiento Convencional y Precargado

Instalación

UBICACIÓN

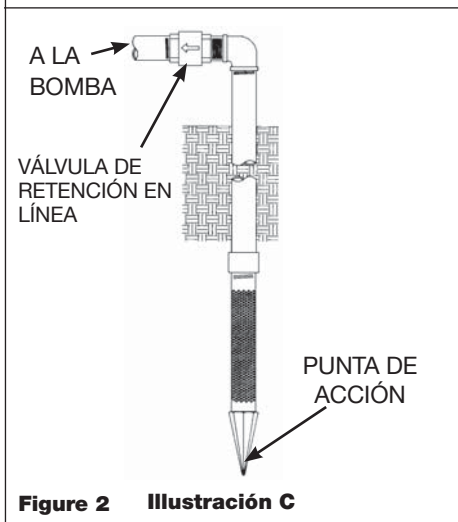
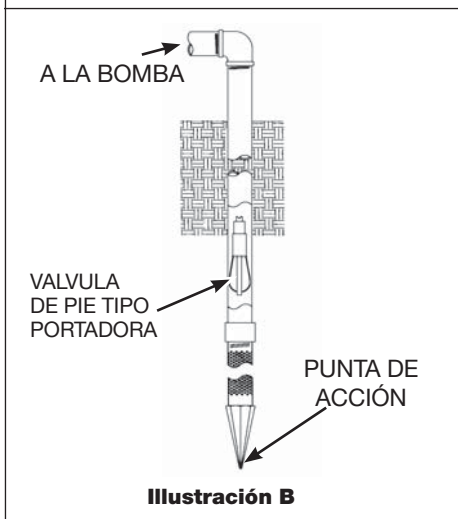
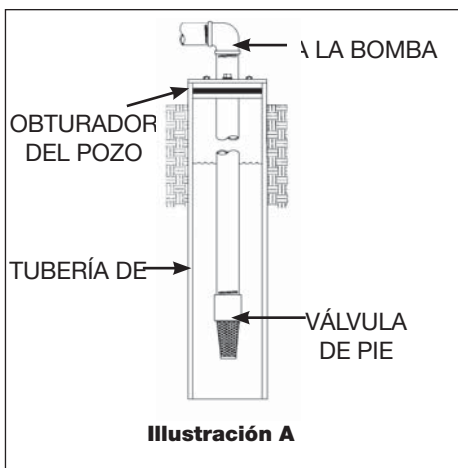
Escoja una ubicación lo más cercana posible a la fuente de suministro de agua.

TABLA 1 - ENSAMBLADOS DE

	Tipo	Se necesita Control del Volume de Aire
Pozo X	Precargado	No
PCA	Precargado	No
12P & 30P Horizontal	Convencional	Sí

TABLA 2 - TAMAÑO DE LOS TUBOS

Modelo de Bomba	Abertura de la Bomba	Distancia Horizontal (Metres)		
		0-25	26-100	100-300



PÁGINA 11)

1. Instale una válvula de aspiración en la primera sección del tubo (Figura 2, Ilustración A).
2. Baje el tubo dentro del pozo.
3. Aumente la tubería hasta que la válvula de aspiración este a 1,5 m (5 pies) por debajo del nivel de agua más bajo que se anticipa.

PRECAUCION La válvula de pie DEBE estar por lo menos a 45,7 cm (18 pulg.) de la parte inferior del pozo o PODRÍAN arrastrarse arena o sedimentos al sistema.

4. Después que se haya alcanzado la profundidad adecuada, instale un sellado del pozo o un adaptador para sostener la tubería y evitar que el agua de la superficie y otros contaminantes entren al pozo.
5. Incline el tubo horizontal hacia arriba en dirección a la bomba para evitar que quede aire atrapado. La inclinación del tubo también ayuda a cebar la bomba.

POZO ACCIONADO (FIGURA 12 EN LA PÁGINA 11)

1. Lleve la punta a varios pies por debajo del nivel del agua subterránea.

NOTA: Se puede instalar en el pozo una válvula de aspiración de tipo tampón (Figura 2, Ilustración B). Este de tipo de válvula de aspiración permite que el pozo se llene con agua cuando se está cebando y permite verificar con mayor facilidad si hay escapes en la tubería de ingreso. Cuando instale la válvula de aspiración de tipo tampón siga las instrucciones del fabricante.

Como alternativa, se puede usar una válvula unidireccional en la tubería de un pozo excavado (Figura 2, Ilustración C). La tubería entre la válvula unidireccional y el nivel de agua estará siempre bajo un vacío.

Las uniones o conexiones con fugas dejan que entre aire en la tubería y dan lugar a que la bomba no funcione bien. Asegúrese de usar un compuesto para uniones de tubería en todos los roscados machos de los tubos.

INSTALACIÓN DEL POZO EXCAVADO, CISTERNA, LAGO Y MANANTIAL (FIGURA 12 EN LA PÁGINA 11)

1. Instale una válvula de aspiración en la tubería de entrada y bájela dentro del

agua.

PRECAUCION La válvula de pie DEBE estar por lo menos a 45,7 cm (18 pulg.) de la parte inferior del pozo o PODRÍAN arrastrarse arena o sedimentos al sistema.

NOTA: Cuando se usa un lago como fuente de suministro de agua, asegúrese que la tubería de entrada tenga la suficiente profundidad para que esté siempre sumergida. Proteja la tubería para que no la dañenni los bañistas ni los botes.

Incline la tubería horizontal hacia arriba en dirección de la bomba para evitar que quede aire atrapado. Se debe sacar la tubería durante los meses de invierno o protegerla para que no se congele.

Proteja la tubería para que no la dañenni los bañistas ni los botes.

ADVERTENCIA Instale una malla alrededor de la tubería de entrada para evitar que queden atrapados los bañistas.

BOMBA PARA POZOS POCO PROFUNDOS CON TANQUE DE ALMACENAMIENTO CONVENCIONAL

1. Instale el control del volumen de aire en el tanque.
2. Conecte el tubo de cobre del control del volumen de aire en la abertura NPT de 3,2 mm (1/8") superior al lado de la bomba. Cerciórese de que las conexiones estén bien ajustadas. Las fugas puede evitar que la bomba se cebe.
3. Instale una válvula y una manguera de aislamiento entre el tanque y la tubería de la casa para facilitar poder separar la bomba cuando se le dé servicio, y disminuir el ruido transmitido a la casa a través de la tubería.
4. Coloque una manguera de desagüe con llave en el punto más bajo del sistema para poder drenar cuando se vaya a dar servicio o guardar el equipo.

BOMBA PARA POZOS POCO PROFUNDOS CON TANQUE DE ALMACENAMIENTO PRECARGADO

1. Desconecte la corriente eléctrica que va a la bomba.
2. Abra el grifo más cercano y deje que drene toda el agua del tanque.
3. Mida la precarga del tanque en el

Instalación (Continuación)

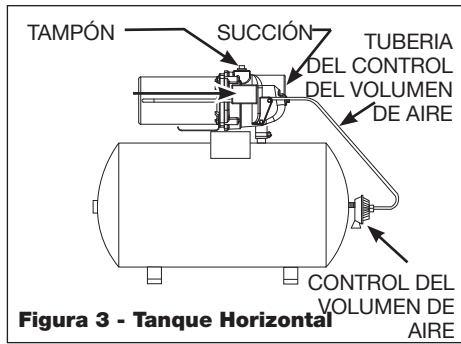


Figura 3 - Tanque Horizontal

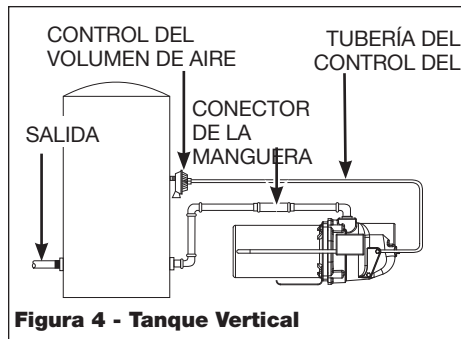


Figura 4 - Tanque Vertical

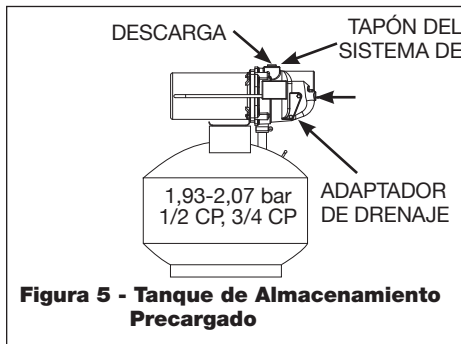


Figura 5 - Tanque de Almacenamiento Precargado

- pitón de la válvula con un medidor de presión para llantas.
- Si es necesario, precargue con una bomba de aire a una presión entre 1,93-2,07 bar en las bombas de 1/2, 3/4 y 1 CP.
 - Incline los tubos horizontales hacia arriba en dirección de la bomba para evitar que quede aire atrapado. Si la distancia horizontal excede los 7,6 m (25 pies), consulte la Tabla 2 de la página 25 para obtener los tamaños de tubería recomendados.

Eléctricas

ADVERTENCIA Existe riesgo de un choque eléctrico. Esta bomba está diseñada únicamente para ser instalada en interiores.

El voltaje de la fuente de suministro eléctrico debe ser similar al de la bomba.

Para conectarlas a circuitos de 115/230 voltios simplemente gire la perilla al voltaje deseado (Vea la Figura 6). Use una pinza (alicate) de punta afilada para halar la perilla aproximadamente un 6,4 mm (1/4”), gírela y colóquela en su posición correcta.

Seleccione los alambres y el fusible del tamaño adecuado (Tabla 3). Para la protección del circuito del motor, se recomiendan los fusibles que interrumpen por un tiempo en vez de los fusibles convencionales. Todos los motores de bomba tienen incorporada una protección automática contra sobrecargas que evitará que se dañe el motor debido a sobrecalentamiento.

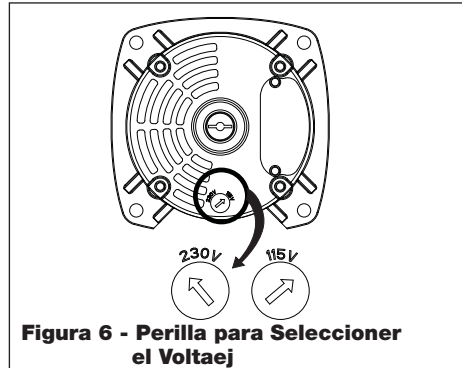


Figura 6 - Perilla para Seleccioner el Voltaje

ADVERTENCIA NO haga la conexión a la fuente de suministro eléctrico hasta que la unidad esté conectada a tierra en forma permanente. Conecte el alambre a tierra a una conexión a tierra aprobada y luego conecte el terminal que se suministra.

Una tubería subterránea para agua y una armazón de pozo de por lo menos 3 m (10 pies) largo son los mejores electrodos de tierra. Si se usa tubería de plástico o adaptadores con aislamiento, pase un alambre directamente a la armazón metálica del pozo o use un electrodo de tierra proporcionado por la compañía de servicio eléctrico.

La unidad sólo tiene un terminal adecuado

para conexión a tierra que está localizado debajo de la cubierta del interruptor a presión, está pintado de verde y se identifica como GRD. La conexión a tierra se debe hacer desde este terminal (Figura 7). El conductor a tierra no debe ser más pequeño que los conductores de circuito que vienen con el motor.

ADVERTENCIA Desconecte el suministro eléctrico y libere toda la presión del sistema antes de intentar instalar, dar servicio, reubicar o llevar a cabo cualquier mantenimiento.

Funcionamiento

CEBADO DE LA BOMBA PARA POZOS POCO PROFUNDOS

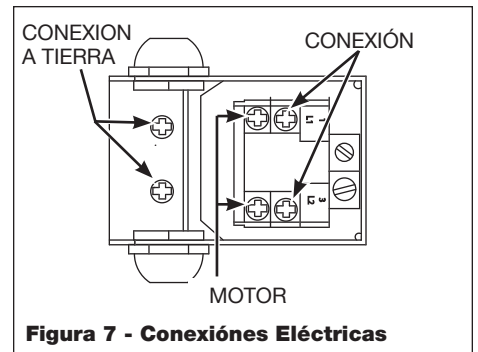


Figura 7 - Conexiones Eléctricas

ADVERTENCIA Para evitar dañar la bomba, NO arranque el motor hasta que la haya llenado con agua.

- Retire el tapón para cebar (Figura 3 en la página 26).
- Llene la bomba y la tubería

TABLA 3 - DATOS RECOMENDADOS PARA FUSIBLES/CABLEADO - MOTORES DE 60 HZ

CP	Voltios	Fusible de doble elemento 250 V	Distancia en Pies de Medidor a Motor		
			0 to 50	51 to 100	101 to 200
			Tamano del alambre		
1/2	115	20	14	12	10
	230	10	14	14	14
3/4	115	20	14	12	8
	230	10	14	14	14

- completamente con agua.
- Vuelva a colocar el tapón para cebar.
 - Abra el grifo para purgar el sistema.
 - Arranque el motor. El agua empezará a bombearse en pocos minutos. Si la bomba no se ceba en 5 minutos, detenga el motor y vuelva a llenar la bomba con agua. El tiempo necesario para cebar es proporcional a la cantidad de agua en la tubería de ingreso.
 - Deje que el sistema funcione por varios minutos para que se limpien todos los tubos.
 - Cierre el grifo y deje que la bomba desarrolle presión en el tanque. Cuando la presión alcance el límite establecido, el motor se detendrá.

El sistema está ahora en funcionamiento y hará ciclos automáticos según la demanda.

Mantenimiento

⚠ ADVERTENCIA *Desconecte la corriente eléctrica y libere toda la presión del sistema antes de intentar instalar, darle servicio, mantenimiento o cambiarlo de lugar. Trabe la desconexión de la energía en la posición abierta (off). Etiquete la conexión de la energía para evitar la aplicación de energía inesperada.*

⚠ PRECAUCIÓN *Proteja la bomba para que no se congele durante los meses de invierno.*

DRENAJE DEL BOMBA

Todos los modelos vienen con aberturas para drenar. Para drenar la bomba:

- Saque el tapón de drenaje y el tapón para cebar a fin de que se vacíe el sistema (Figura 5 en la página 26).
- Drene todas las tuberías hasta un nivel por debajo de la línea de congelación.

DRENAJE DEL TONQUE

Los tanques convencionales se pueden drenar al abrir una salida en el punto más bajo del sistema. Retire el tapón o el control de volumen del aire para vaciar el tanque.

Los tanques precargados fuerzan prácticamente toda el agua del tanque cuando se libera la presión del sistema. No es necesario drenar.

PARA VOLVER A HACER FUNCIONAR LA BOMBA

Si a la bomba se le ha dad servicio, se la ha drenado o no se la ha usado por algún tiempo, cerciorese de que haya agua en la cubierta en espiral (voluta) y en la tubería del pozo. En todo momento debe haber agua en la cubierta en espiral de la bomba (voluta) cuando este funcionando para evitar danos internos en las piezas de sellado.

MOVIMIENTO DE AGUA SE HACE LENTO: CONVENCIONAL

Cuando el sistema de un tanque tiene una relación inadecuada entre aire y agua, la bomba arrancará y se detendrá con frecuencia en forma errática.

- Desconecte la corriente eléctrica que va a la bomba.
- Abra el grifo más bajo del sistema para liberar toda el agua presurizada del sistema.
- Cebe la bomba (Cebado de la bomba de pozo poco profundo en la página 27).
- Vuelva a conectar la corriente eléctrica a la bomba.

NOTA: Conforme la bomba vuelve a llenar el tanque con agua, el control de volumen de aire suministra al tanque la relación adecuada de aire y agua para que el sistema funcione. Si el control del volumen de aire está bien, la bomba se parará en el nivel límite que se haya establecido y se ajustará adecuadamente.

MOVIMIENTO DE AGUA SE HACE LENTO : PRECARDGADO

Si en un tanque precargdo, el movimiento de agua se hace lento, habitualmente se debe a que la cámara elástica tiene fugas o se ha roto.

- Pruebe el tanque presionando la válvula de aire. La válvula de aire expelerá agua si la cámara elástica se ha roto.
- Si se rompe, cambie el tanque.

NOTA: Si la cámara elástica tiene fugas o se ha roto, no se puede reparar. Hay que reemplazar el tanque.

LUBRICACIÓN

Los cojinetes que se usan en las bombas vienen lubricados de fábrica para una duración permanente y no necesitan lubricación adicional.

PRECARGADO

En todos los tanques se pierde algo de aire a través de la cámara elástica. Para evitar que el tanque falle, examine la precarga una vez al año.

- Desconecte la corriente de la bomba, de forma que el agua no rellene el tanque precargado.

- Abra el grifo más cercano al tanque y deje que drene toda el agua del tanque.
- Mida la precarga del tanque en el pitón de la válvula con un medidor de presión para llantas.
- Si es necesario, ajuste con una bomba de aire la precarga a una presión entre 1,93 y 2,07 bar en bombas de 1/2, 3/4 y 1 CP.
- Vuelva a conectar la energía a la bomba.

PARA SACAR EL SELLO USADO DEL EJE

⚠ ADVERTENCIA *Desconecte la energía y libere toda la presión del sistema antes de intentar instalar, realizar un servicio, reubicar o realizar cualquier tipo de mantenimiento.*

- Desconecte la corriente de la bomba.
- Abra el grifo más cercano al tanque y deje que drene toda el agua del tanque.
- Saque los cuatro pernos que mantienen la cubierta en espiral de la bomba (voluta) unida al motor (Figura 8).
- Separe la cubierta en espiral de la bomba (voluta) del motor para exponer el difusor y la placa de sellado.
- Retire los dos pernos y el difusor de la placa de sellado para exponer el impulsor.
- Saque la tapa pequeña del extremo del motor opuesto al impulsor
- Con un destornillador, impida que l eje gire y retire el impulsor con la mano (roscado estándar de mano derecha). Cerciorese de guardar la placa de sellado de hierro forjado cuando saque el impulsor del eje.
- Saque la placa de sellado.
- Quite del impulsor la parte de sellado del eje giratorio (incluyendo el anillo inoxidable y el sello de goma) (Figura 9).
- Empuje o haga palanca en emplazamiento de cerámica y el anillo de goma del sello para liberarlos de la placa de sellado (Figura 9).
- Elimine las partículas sueltas del núcleo del impulsor y la placa de sellado.

INSTALACIÓN DE UN NUEVO SELLO

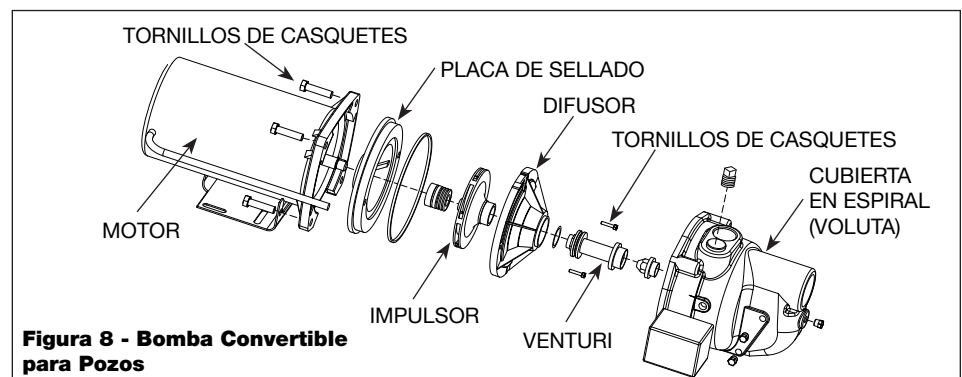


Figura 8 - Bomba Convertible para Pozos

Mantenimiento (Continuación)

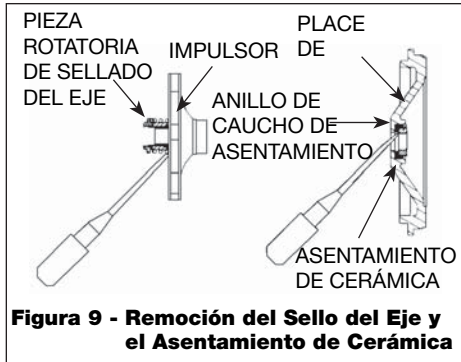


Figura 9 - Remoción del Sello del Eje y el Asentamiento de Cerámica

DEL EJE

⚠ PRECAUCION Antes de manipular las piezas del sello del eje limpie las manos con un paño. La tierra o grasa PUEDE dañar el sello.

⚠ ADVERTENCIA Desconecte la energía y libere toda la presión del sistema antes de intentar instalar, realizar un servicio, reubicar o realizar cualquier tipo de mantenimiento.

1. Humedezca con aceite de cocina, la parte interior de la cavidad del sello en la placa de sellado y los empaques de caucho acopados que rodean el nuevo asentamiento de cerámica. Tenga cuidado de no raspar la superficie de cerámica del asentamiento del sello y empuje el asentamiento incluido en el caucho en la cavidad del sello en la placa de sellado. Use una rondana de cartón para proteger la superficie pulida cuando empuje contra el asentamiento de cerámica con cualquier objeto. Cerciérese de sacar la rondana de cartón.
2. Deslice con cuidado la placa de sellado sobre el eje de modo que no se mueva el sello de su posición en la placa de sellado. La placa de sellado debe orientarse durante el armado de forma que

los dos orificios estén en línea horizontal a través del eje del motor (Figura 10). Esta ubicación se debe hacer para asegurar un drenaje y cebado adecuados.

3. Sitúe la pieza rotatoria del sello del eje en el impulsor y presiónela para que quede en su sitio. Tenga cuidado de no presionar contra la superficie pulida del sello.
4. Coloque el impulsor en el eje y ajústelo bien (Figura 11).
5. Sasegure el difusor en la placa de sellado con los dos pernos. Asegúrese

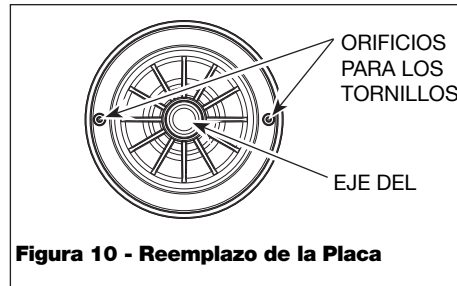


Figura 10 - Reemplazo de la Placa

de que la flecha que se encuentra en la parte frontal del difusor esté apuntando hacia arriba y que los tornillos estén orientados en una línea horizontal tal como se describe en el Paso 2.

6. Coloque con cuidado la empaquetadura de la cubierta en espiral (voluta) sobre

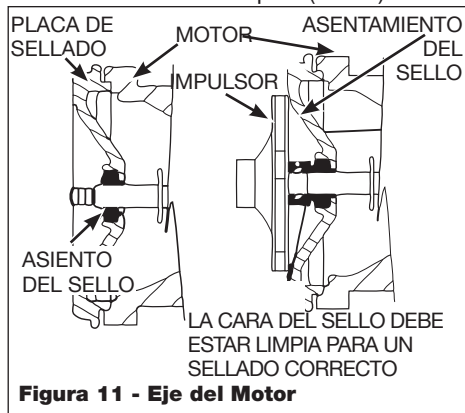


Figura 11 - Eje del Motor

el difusor en la placa de sellado. En todas las aplicaciones de conversión, el anillo de sellado también debe estar colocado sobre el difusor. En todas las aplicaciones en pozos poco profundos se debe tener cuidado de que los anillos en o (juntas tóricas) estén limpios y colocados adecuadamente sobre el Venturi. La limpieza y la colocación correcta hacen que exista un uen sellado dentro del difusor cuando se ensambla.

7. Acople la cubierta en espiral (voluta) de la bomba al motor con los cuatro pernos. Asegúrese de que la empaquetadura de la cubierta en espiral (voluta) esté bien colocada y ajuste bien los pernos.

NOTA: El eje debe poder girar libremente y la cubierta del extremo del motor debe estar asegurada antes de hacer funcionar la bomba.

Guía de Diagnóstico de Averías

⚠ ADVERTENCIA PRECAUCIONES ELÉCTRICAS - Antes de realizar el servicio a una bomba, apague SIEMPRE el disyuntor de corriente principal y luego desenchufe la bomba. Asegúrese de NO estar parado sobre agua y de estar usando zapatos con suela protectora aislante. En condiciones de inundación, póngase en contacto con su compañía eléctrica local o un electricista licenciado calificado para desconectar el servicio de electricidad antes de quitar la bomba.

Problema	Posible(s) Causa(s)	Acción a Tomar
La bomba no funciona	<ol style="list-style-type: none"> Hors tension Fusible grillé ou disjoncteur déclenché Pressostat défectueux Surcharge déclenchée du moteur Bajo voltaje del circuito 	<ol style="list-style-type: none"> Energía apagada Fusible quemado o disyuntor disparado Interruptor de presión dañado Se activó la sobrecarga del motor Póngase en contacto con un electricista
El motor hace ruido pero no funciona	<ol style="list-style-type: none"> La tension de ligne ne correspond pas au sélecteur Câblage inadéquat Dommage ou défaut d'alignement amenant les pièces rotatives à gripper Bajo voltaje del circuito 	<ol style="list-style-type: none"> El voltaje de la línea no coincide con el interruptor selector Cableado inadecuado Daño o desalineación que hace que las piezas giratorias se atasquen Póngase en contacto con un electricista
Se activa el interruptor de sobrecarga	<ol style="list-style-type: none"> Bajo voltaje del circuito Dommage ou défaut d'alignement amenant les pièces rotatives à gripper Température ambiante élevée Cycle rapide Câblage inadéquat 	<ol style="list-style-type: none"> Póngase en contacto con un electricista Daño o desalineación que hace que las piezas giratorias se atasquen Temperatura circundante alta Ciclo rápido Cableado inadecuado
La bomba funciona pero sale muy poca agua o nada NOTA: Verifique el cebado antes de buscar otras causas. Desenrosque el tapón de cebado y observe si hay agua en el orificio de cebado.	<ol style="list-style-type: none"> Le niveau d'eau est en dessous de l'entrée de la pompe La décharge n'est pas purgée au moment de l'amorçage Fuite dans le tuyau d'aspiration La décharge n'est pas purgée au moment de l'amorçage Embout bloqué La membrane du contrôleur du volume d'air est rompue Le clapet de pied est peut-être obstrué ou bloqué en position fermée La pompe n'est pas complètement amorcée Le niveau d'eau est en dessous de l'élévation maximale spécifiée Tuyauterie sousdimensionnée Puits gazeux Venturi déformé Jet inadéquat pour l'application Pompe sous dimensionnée La pompe cavite, résonne comme un pompage de gravier Bajo voltaje del circuito 	<ol style="list-style-type: none"> Nivel de agua por debajo de la entrada de la bomba La descarga no se ventila mientras se ceba Pérdida en la tubería de succión La rejilla del pozo o el filtro de entrada están obstruidos La boquilla está obstruida Diafragma de control del volumen de aire roto La válvula de pie puede estar obstruida o puede haber quedado trancada en la posición de cerrado La bomba no está completamente cebada El nivel de agua está por debajo de las especificaciones máximas de levante Tuberías demasiado pequeñas Pozo gaseoso Venturi distorsionado Inyector incorrecto para la aplicación Bomba demasiado pequeña Las cavidades de la bomba suenan como si estuviera bombeando grava Póngase en contacto con un electricista
La bomba se prende y se detiene con demasiada frecuencia	<ol style="list-style-type: none"> Réservoir inondé d'eau (réservoir traditionnel) Le tuyau du contrôleur de volume d'air est tordu ou obstrué Le tuyau du contrôleur de volume d'air est raccordé à la mauvaise ouverture sur la pompe Précharge incorrecte du réservoir (réservoir préchargé) Membrane/paroi souple rompue (réservoir préchargé) Fuite de la tuyauterie de la maison Clapet de pied ou clapet de non-retour Surcharge déclenchée du moteur Pressostat endommagé ou pas ajusté correctement 	<ol style="list-style-type: none"> Tanque anegado en agua (tanque convencional) La tubería de control de volumen de aire está doblada u obstruida La tubería de control del volumen de aire está conectada a la abertura incorrecta de la bomba Tanque precargado incorrectamente (tanque precargado) Diafragma/depósito flexible roto (tanque precargado) Pérdida en la tubería de la carcasa La válvula de pie o válvula de retención están trabadas en la posición abierta Se activó la sobrecarga del motor Interruptor de presión ajustado incorrectamente o dañado

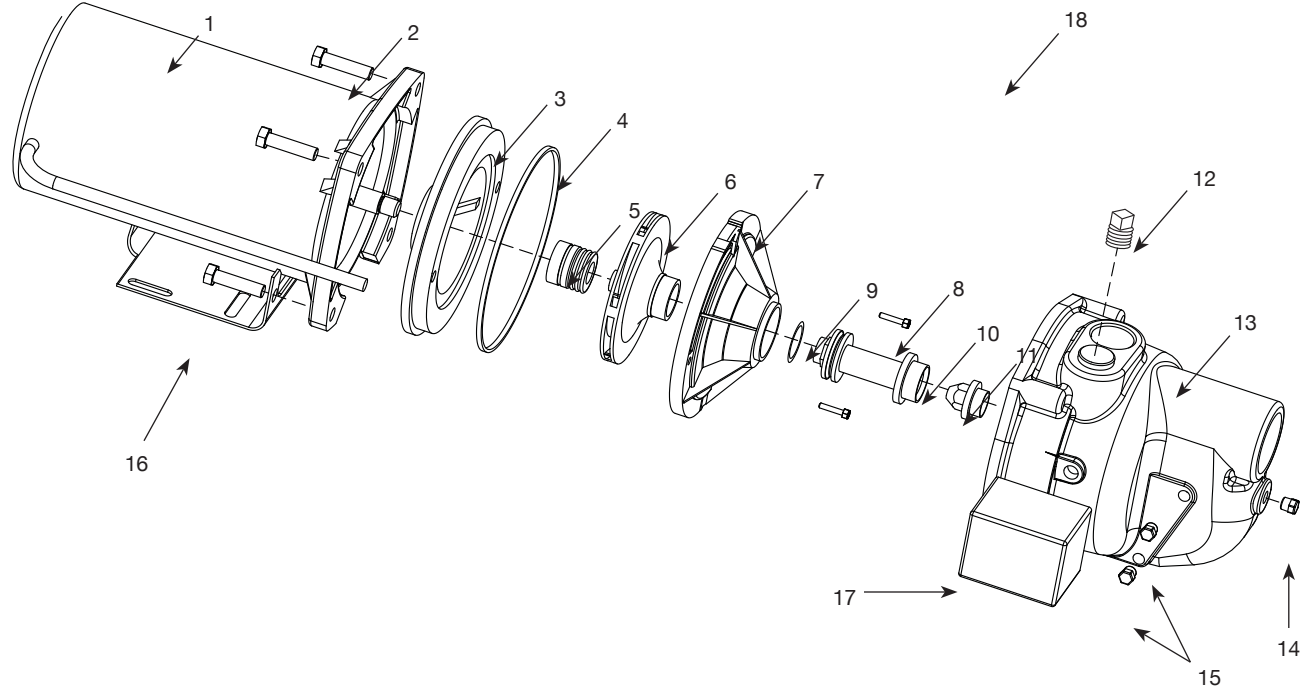
Para Ordenar Repuestos o Asistencia Técnica, Sírvase Llamar al Distribuidor Más Cercano a Su Domicilio

Sírvase proporcionar la siguiente información:

- Número de modelo
- Número de serie (si tiene)
- Descripción y número de repuesto como se muestra en la lista de repuestos

Envíe su solicitud de repuestos a la siguiente dirección:

WAYNE Water Systems
101 Production Drive
Harrison, OH 45030 U.S.A.



No. de Ref.	Description	No. Repuestos			Cte.
		SWS50-1/2 HP	SWS75-3/4 HP	SWS100-1 HP	
1	Motor	32059-001	32142-002	32142-001	1
2	Tornillo	16636-002	16636-002	16636-002	4
3	Placa de sellado	4372-001	4372-001	4372-001	1
4	• Junta cuadrada de goma del anillo	17150-001	17150-001	17150-001	1
5	• Ensamblaje de sellado del eje	56393	56393	56393	1
6	Impulsor	23285-002	23285-002	23285-001	1
7	Difusor	17148-021	17148-021	17148-021	1
8	Tornillo	17165-002	17165-002	17165-002	2
9	• Anillo en O	15557	15557	15557	1
10	Venturi	17151-002	17151-003	17151-004	1
11	Boquilla	15672	15672	15672	1
12	Tapón del tubo de 1,9 cm (3/4 pulg.)	15921	15921	15921	1
13	Espiral	56869-001	56869-001	56869-001	1
14	Tapón del tubo de 1/4 pulg. NPT	16314-002	16314-002	16314-002	1
15	Tapón del tubo de 1/8 pulg. NPT	15766-002	15766-002	15766-002	1
16	Base	23029-001	23029-001	23029-001	1

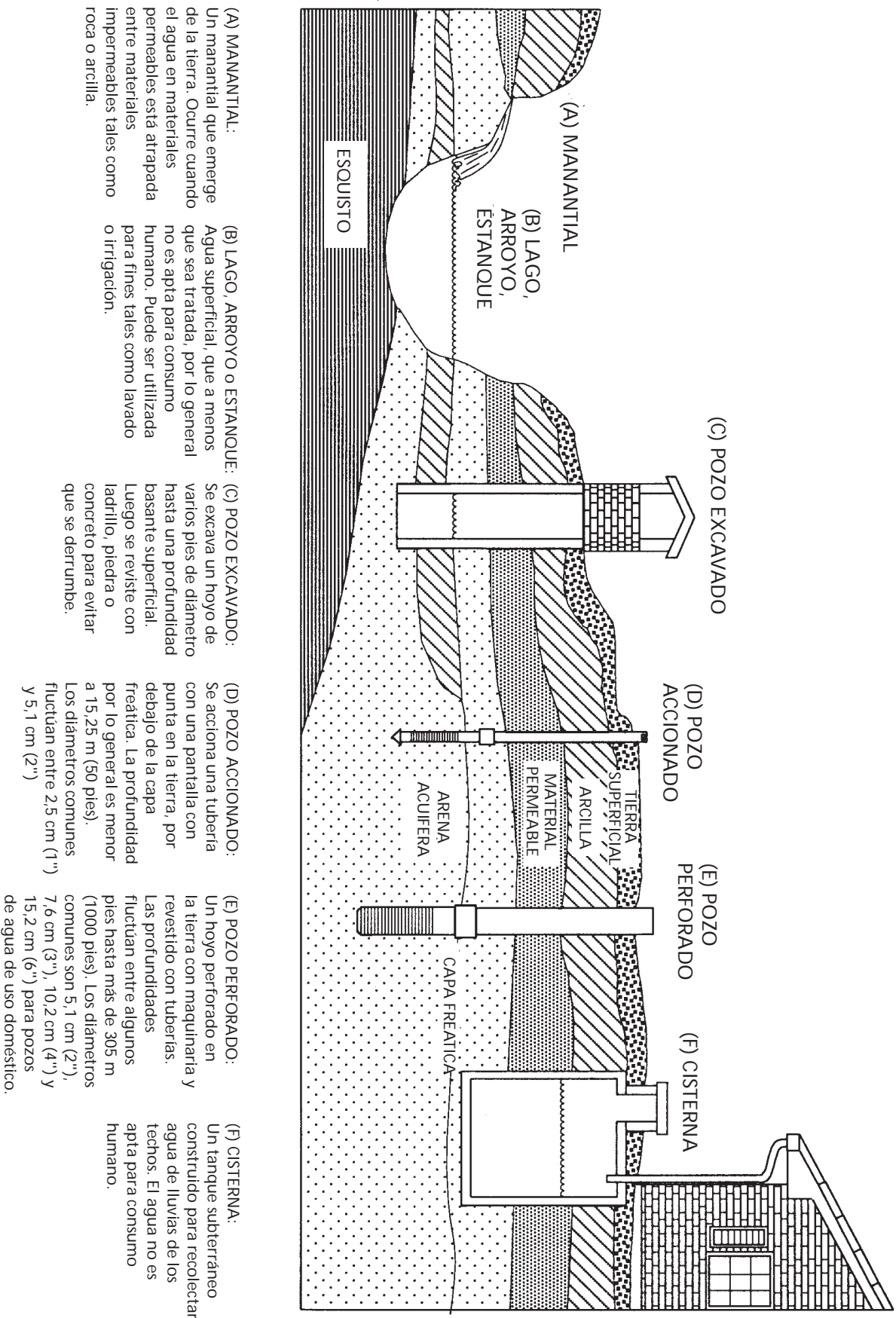


Figura 12 - Tipos de pozo

Garantía Limitada

Durante tres (3) años a partir de la fecha de compra, WAYNE Water Systems (“WAYNE”) reparará o reemplazará para el comprador original, según lo que decida, cualquier pieza o piezas de su Juego para estanque, Bombas de resumideros, Bombas de agua (“Producto”) que después de un examen WAYNE encuentre que tenían defectos en su material o mano de obra. Sírvase llamar a la compañía WAYNE (800-237-0987, desde EUA) para recibir instrucciones al respecto o comuníquese con el distribuidor más cercano a su domicilio. Para hacer reclamos bajo esta garantía deberá suministrarnos el número del modelo y el número de serie del producto. El comprador será responsable de pagar todos los gastos de flete para enviar las piezas o el Producto para que sean reparados o reemplazados.

Esta Garantía Limitada no cubre los daños que sufra el Producto debido a accidentes, abusos, usos inadecuados, negligencia, instalación incorrecta, mantenimiento inadecuado o haberse utilizado sin seguir las instrucciones escritas suministradas por la compañía WAYNE.

NO EXISTEN OTRAS GARANTIAS EXPRESAS. LAS GARANTIAS IMPLICITAS INCLUYENDO GARANTIAS EN RELACION AL MERCADEO O USOS ESPECIFICOS ESTAN LIMITADAS A DOS AÑOS A PARTIR DE LA FECHA DE COMPRA. ESTA ES LA UNICA GARANTIA DISPONIBLE Y TODAS LAS REONSABILIDADES CIVILES, DIRECTAS O INDIRECTAS, O GASTOS POR DAÑOS INDIRECTOS O CONSECUENTES QUEDAN EXCLUIDOS.

Algunos estados no permiten que se establezcan límites en la duración de las garantías implícitas o no permiten que se excluyan ni se establezcan límites en los daños por incidentes o consecuencias, por lo tanto los límites antes mencionados podrían ser no válidos. Esta Garantía Limitada le otorga derechos legales específicos, y usted también puede tener otros derechos que varían de un Estado a otro.

En ningún caso, bien sea por ruptura del contrato de la garantía, responsabilidad civil (incluyendo negligencia) u otra causa, WAYNE o sus distribuidores serán responsables por daños especiales, consecuentes ni circunstanciales ni penales, incluyendo, pero no limitados a la pérdida de ganancias, pérdida de uso del producto o equipos asociados, daños a equipos asociados, costos de capitales, costos para substituir productos, costos para substituir o reemplazar servicios, costos por pérdida de productividad, o reclamos de clientes del comprador por dichos daños.

DEBE conservar el recibo de compra con esta garantía. En caso de que necesite hacer un reclamo bajo esta garantía, **DEBERA** enviarnos una **copia** del recibo junto con el material o correspondencia. Sírvase comunicarse con la compañía WAYNE (800-237-0987, en EUA) para recibir autorización e instrucciones para enviar el producto.

NO ENVIE ESTA GARANTIA A WAYNE. Use este documento sólo para mantener sus records.

NO. DEL MODELO _____ **NO. DE SERIE** _____ **FECHA DE INSTALACION** _____

ANEXE SU RECIBO AQUI