

installation instructions:

IRON BRACKETS

SAFETY INSTRUCTIONS

Make sure to use the correct tools recommended.

Wear safety goggles.

Follow fixture, power tools, and paint manufacturers' instructions and users manuals.

Use common sense and follow good construction practices.

Consult a professional when installing brackets for load bearing applications

TOOL & MATERIAL CHECKLIST

- electric drill
- screws
- level
- pencil
- drill bit (for pilot hole)

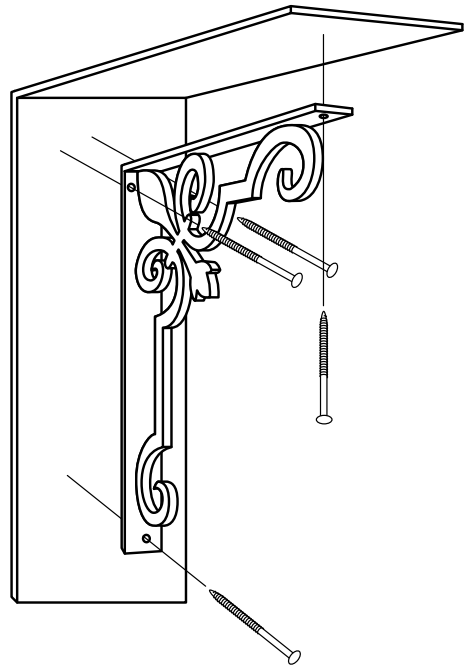
IMPORTANT INFO

- Once installed, you can apply any necessary touchup paint/finish..
- Make sure that the surface and the back of the bracket are completely clean & dry before attempting installation.
- Measure and mark the location where the bracket is going to be installed and be sure that the bracket has a substructure that is able to support the bracket and any other additional weight that may be added to it.

INSTALL INSTRUCTIONS:

1. Place the bracket in place and with a pencil mark the placement of the screw holes.
2. With a wood drill bit smaller than the size of the screw drill a pilot hole through the marks on the wall.
3. Place the bracket back over the installation area and match the holes of the bracket with the pilot holes.
4. Fasten the bracket in place with screws.

EXAMPLE DIAGRAM:



installation instructions:

METAL BRACKET

SAFETY INSTRUCTIONS

Make sure to use the correct tools recommended.

Wear safety goggles.

Follow fixture, power tools, and paint manufacturers' instructions and users manuals.

Use common sense and follow good construction practices.

Consult a professional when installing brackets for load bearing applications

TOOL & MATERIAL CHECKLIST

- electric drill
- screws
- level
- pencil
- shims

IMPORTANT INFO

- It is highly recommended that you paint/finish our steel brackets before you install them.
- Once installed, you can apply any necessary touchup paint/finish..
- Make sure that the surface and the back of the bracket are completely clean & dry before attempting installation.
- Measure and mark the location where the bracket is going to be installed and be sure that the bracket has a substructure with a minimum 3/4" thickness.

INSTALL INSTRUCTIONS:

1. Paint or finish your bracket.
2. Be sure that the installation area is supported by a substructure with a minimum of 3/4" thickness.
3. Place the bracket in place, check that it is level, and mark its position with a pencil.
4. If the angle of your installation area and bracket do not match use shims to adjust the angle.
5. Fasten the bracket in place with screws and check that it is level.
6. Touch up the bracket with touch up paint as needed.

EXAMPLE DIAGRAM:

