

STEP THREE

Arch Assembly

1

Place the post cap onto each of the post. Note that there are left and right post caps. Please see image aside for orientation.

2

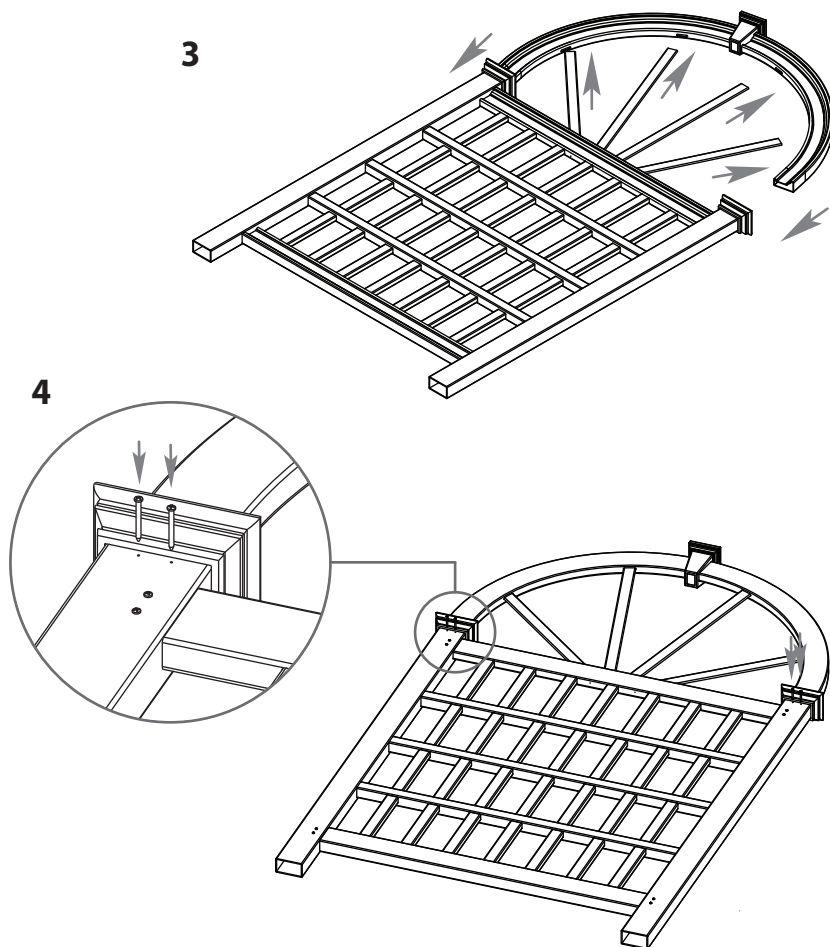
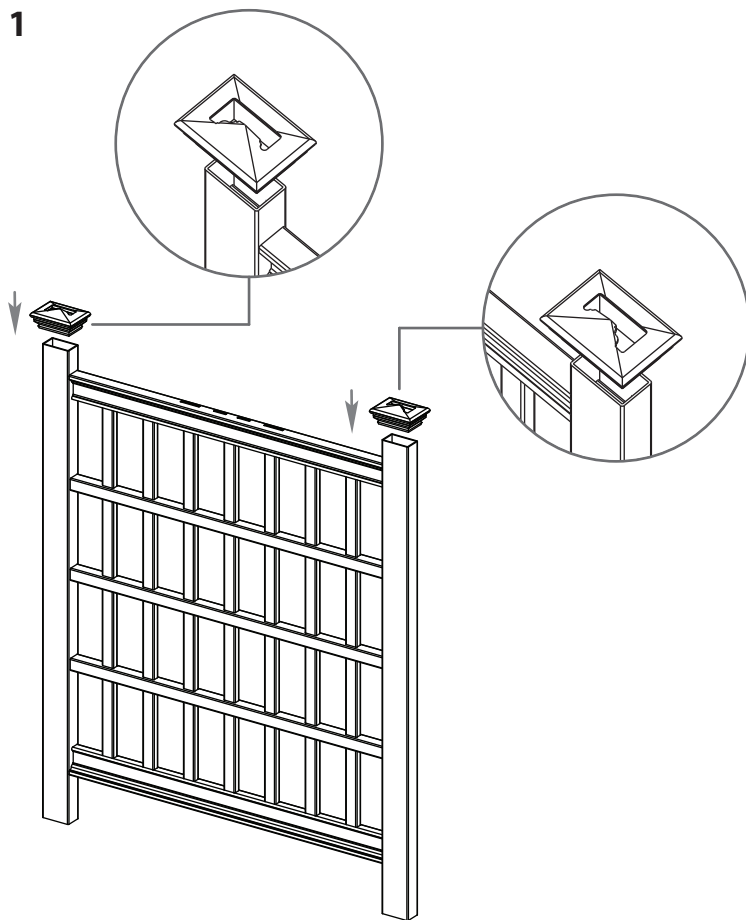
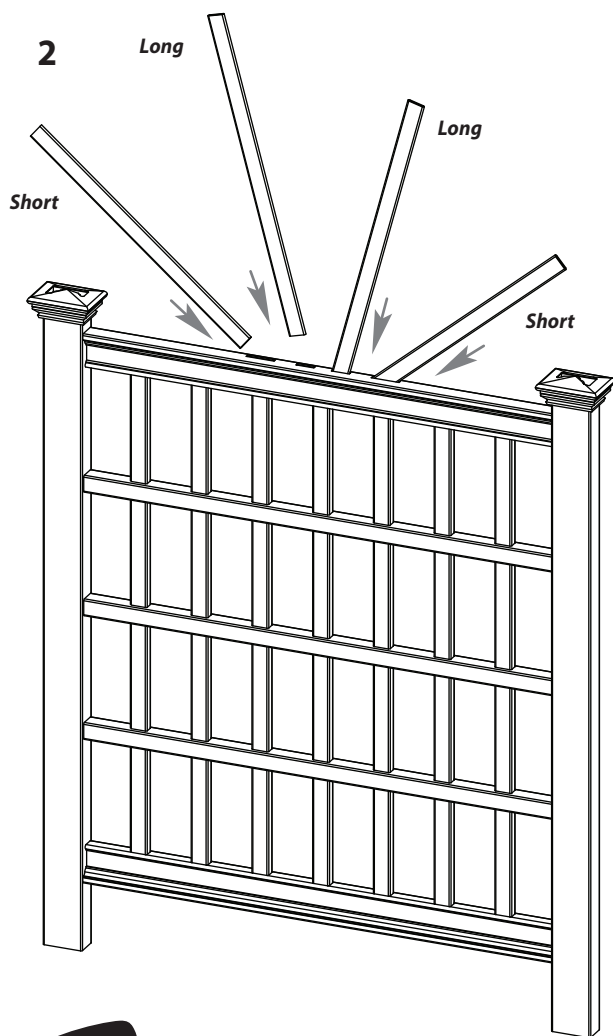
Insert the arch spindles into the top rail as shown. The short spindles would be on the outer side of the rail, and the long spindles would be on the inner side of the rail.

3

Starting on one end, guide the arch assembly and arch spindles into the pre-routed holes as shown.

4

Fasten the arch assembly to the posts using four screws (2 per post) provided.



EdenTM

Enduring Garden Architecture