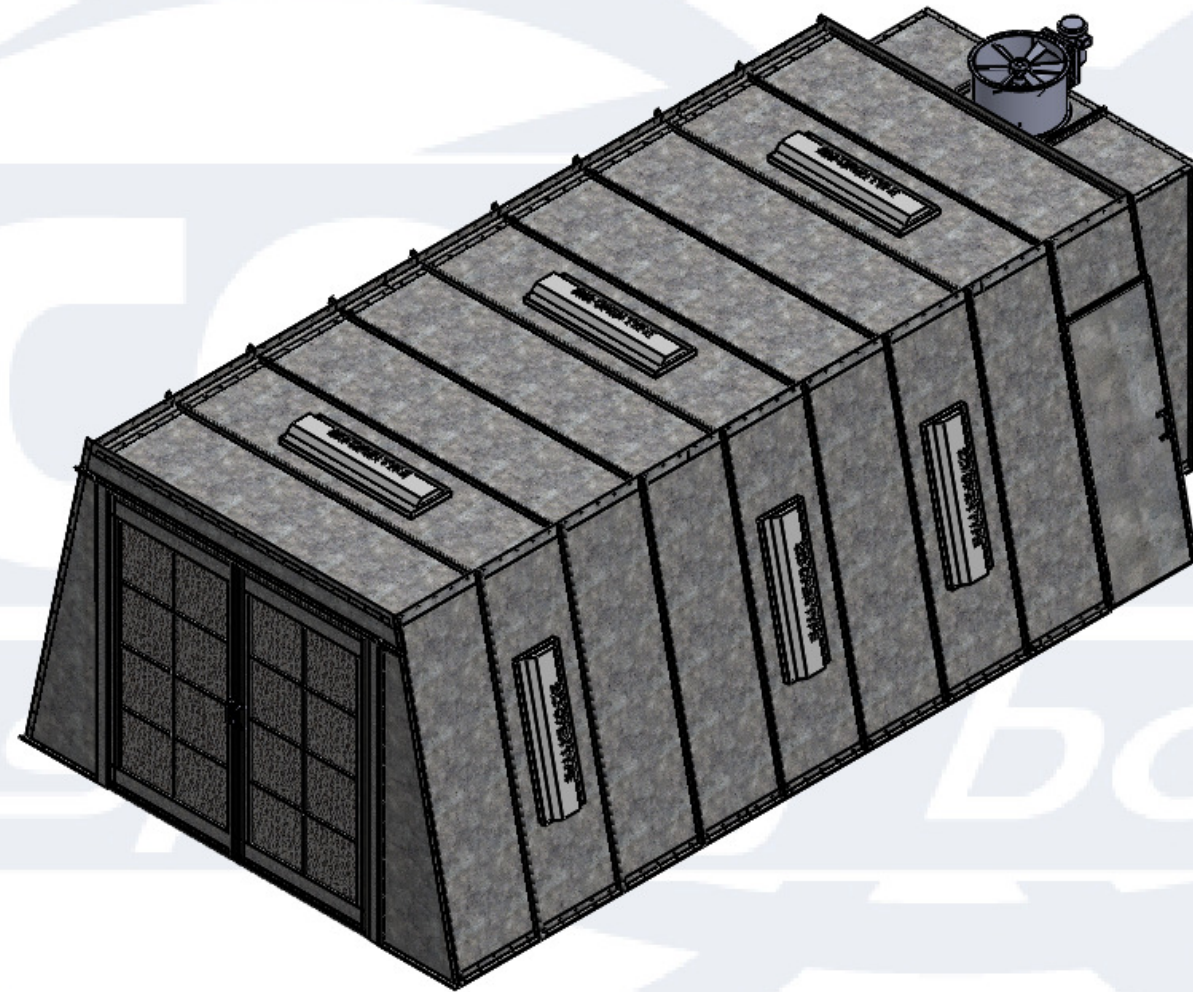


# CROSSFLOW INSTALL MANUAL

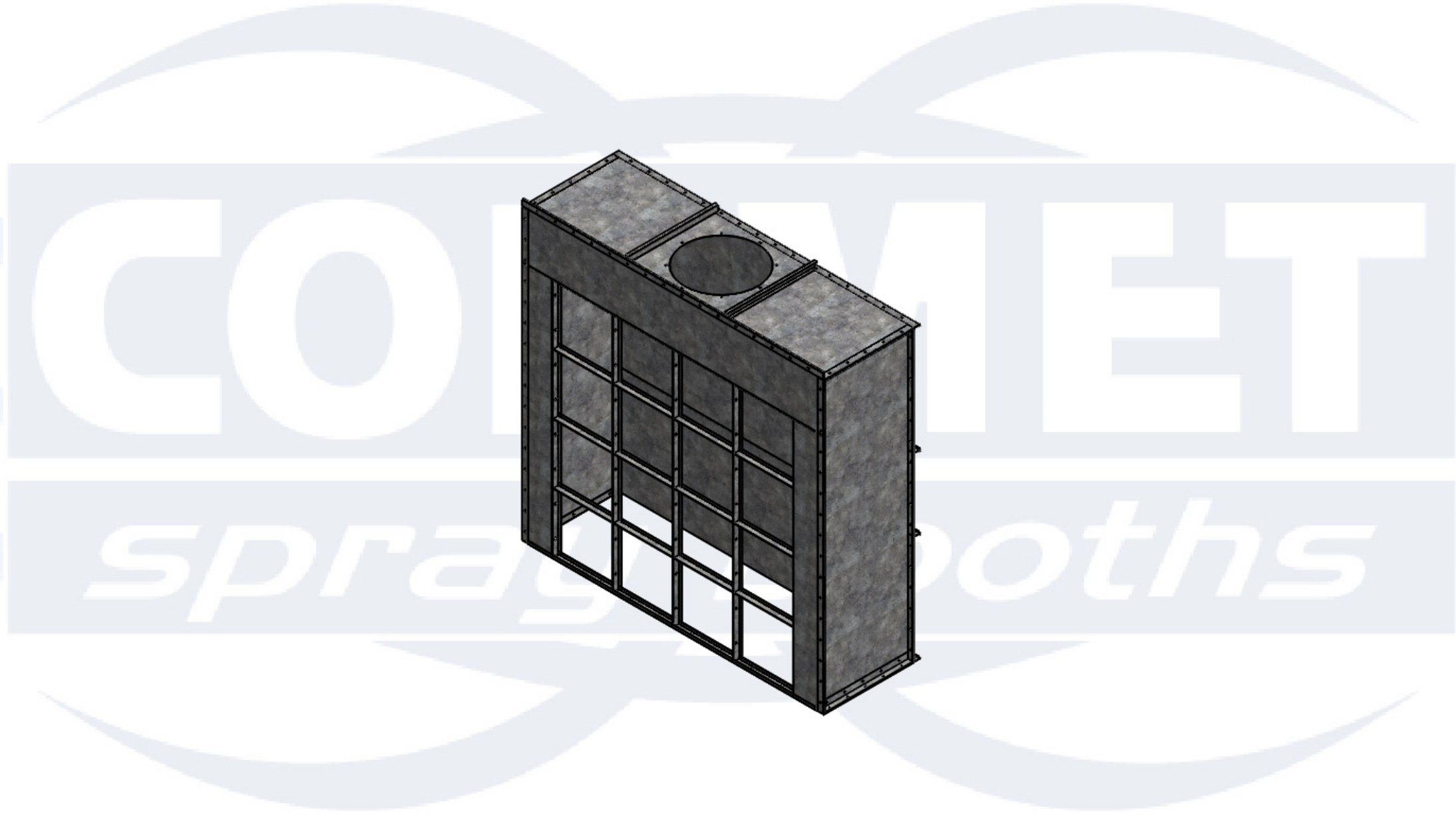
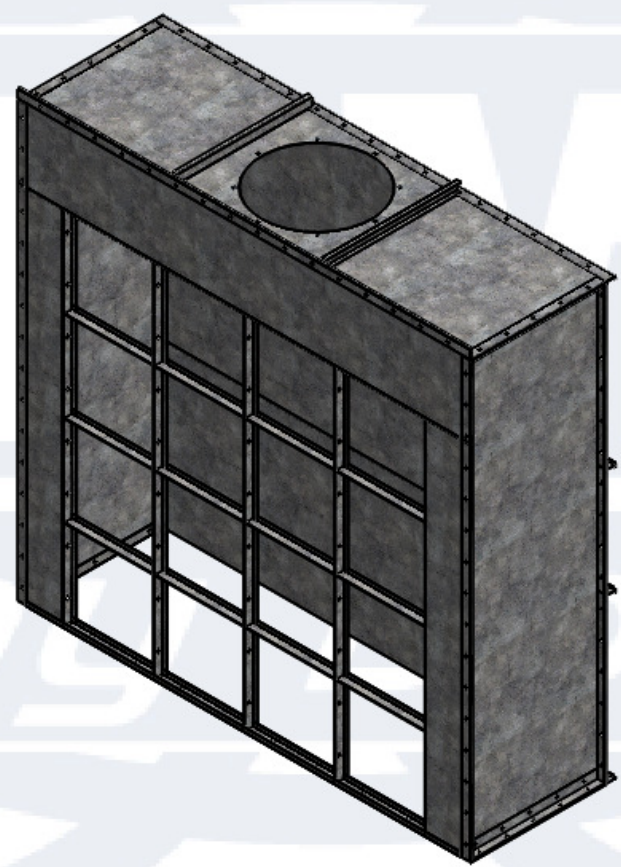
CONTENT	PAGE
PLENUM INTRO	2
PLENUM WALLS ASSEMBLY	3
PLENUM FILTER INSTALL	4
WALL INSTALL	5
WALL AND ROOF INSTALL	6
FRONT FACE INSTALL	7
DOOR INSTALL	8
ELECTRICAL INSTALL	9



REFER TO THE INCLUDED PACKING LIST FOR MORE INFORMATION ON PARTS AND PART NUMBERS.

COL-MET SPRAY BOOTHS 1635 INNOVATION DR. ROCKWALL, TX 75032 PHONE (972) 772-1919 FAX (972) 772-1833 WWW.COLMETS.COM		<b>DWG TITLE</b> CROSSFLOW NON REVERSE GUIDE	
		SIZE <b>B</b>	REV
DO NOT SCALE DRAWING		SCALE: 1:50 WT:	SHEET 1 OF 9

# PLENUM INSTALL INSTRUCTIONS




D  
C  
B  
A

D  
C  
B  
A

8 7 6 5 4 3 2 1

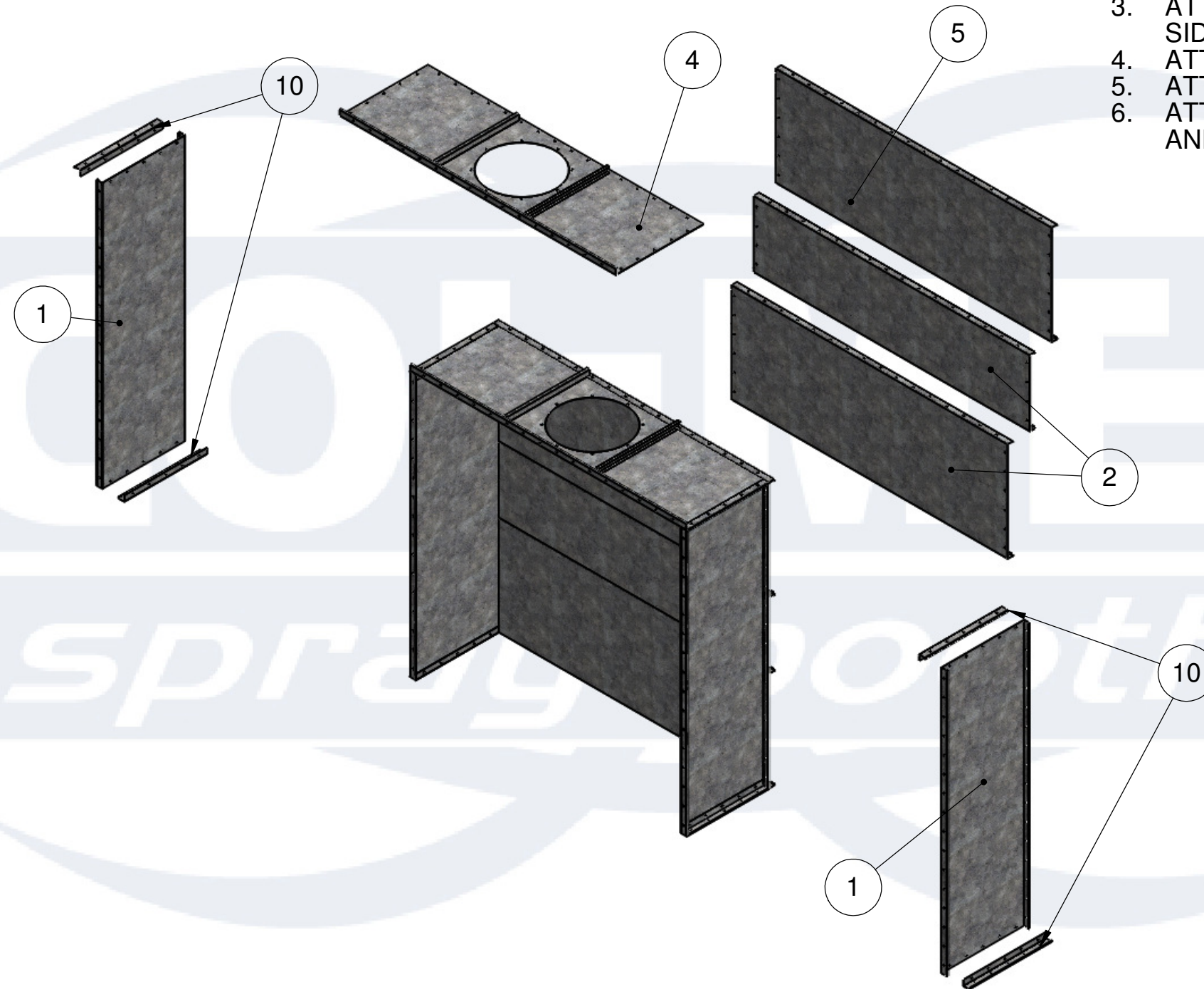
8 7 6 5 4 3 2 1

COL-MET SPRAY BOOTHS 1635 INNOVATION DR. ROCKWALL, TX 75032 PHONE (972) 772-1919 FAX (972) 772-1833 WWW.COLMETS.COM		DWG TITLE CROSSFLOW NON REVERSE GUIDE	
		SIZE <b>B</b>	REV
DO NOT SCALE DRAWING		SCALE: 1:30 WT:	SHEET 2 OF 9



# PLENUM INSTALL INSTRUCTIONS

1. ANCHOR TIE CHANNEL 10 TO THE FLOOR
2. ATTACH PANEL 1 TO CHANNEL 10 WITH SUPPLIED 5/16"Ø NUTS AND BOLTS
3. ATTACH PANELS 2 TO PANEL 1 ON BOTH SIDES
4. ATTACH PANEL 2
5. ATTACH PANEL 5 TO PANEL 2 AND PANEL 1
6. ATTACH FAN PANEL 4 TO TIE CHANNEL 10 AND PANEL 5



COL-MET SPRAY BOOTHS  
 1635 INNOVATION DR.  
 ROCKWALL, TX 75032  
 PHONE (972) 772-1919  
 FAX (972) 772-1833  
 WWW.COLMETS.COM

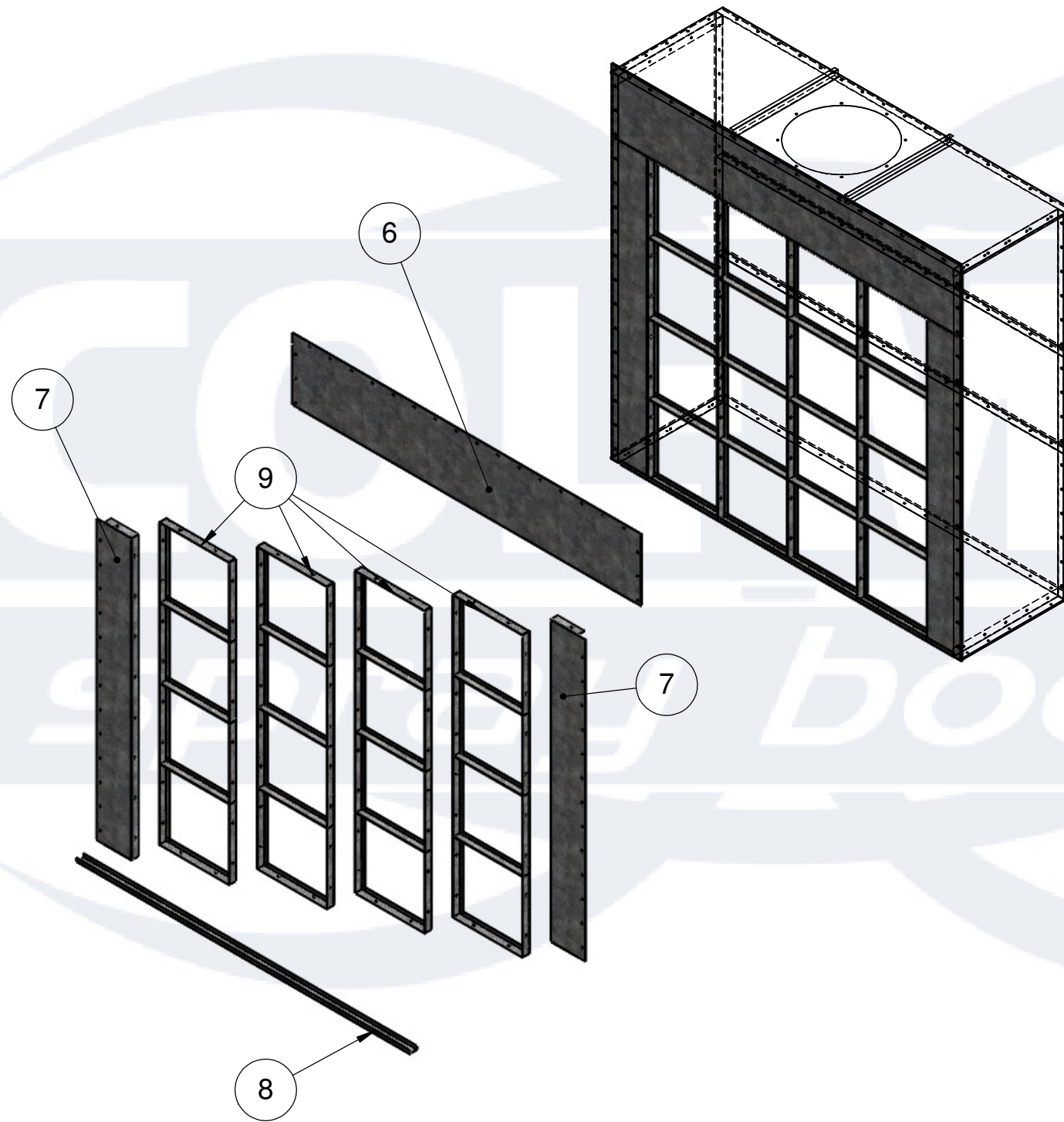


DWG TITLE  
 CROSSFLOW NON REVERSE GUIDE

SIZE <b>B</b>	REV
SCALE: 1:35 WT:	SHEET 3 OF 9

DO NOT SCALE DRAWING

# PLENUM INSTALL INSTRUCTIONS



1. PLACE FLOOR CHANNEL 8 ON GROUND
2. ATTACH PANEL 7 TO PANEL 1 ON BOTH SIDES
3. ATTACH PANEL 6 TO FAN PANEL AND PANELS 7
4. ATTACH FILTER RACKS 9 TO PANELS 7 AND 6

COL-MET SPRAY BOOTHS  
 1635 INNOVATION DR.  
 ROCKWALL, TX 75032  
 PHONE (972) 772-1919  
 FAX (972) 772-1833  
 WWW.COLMETS.COM



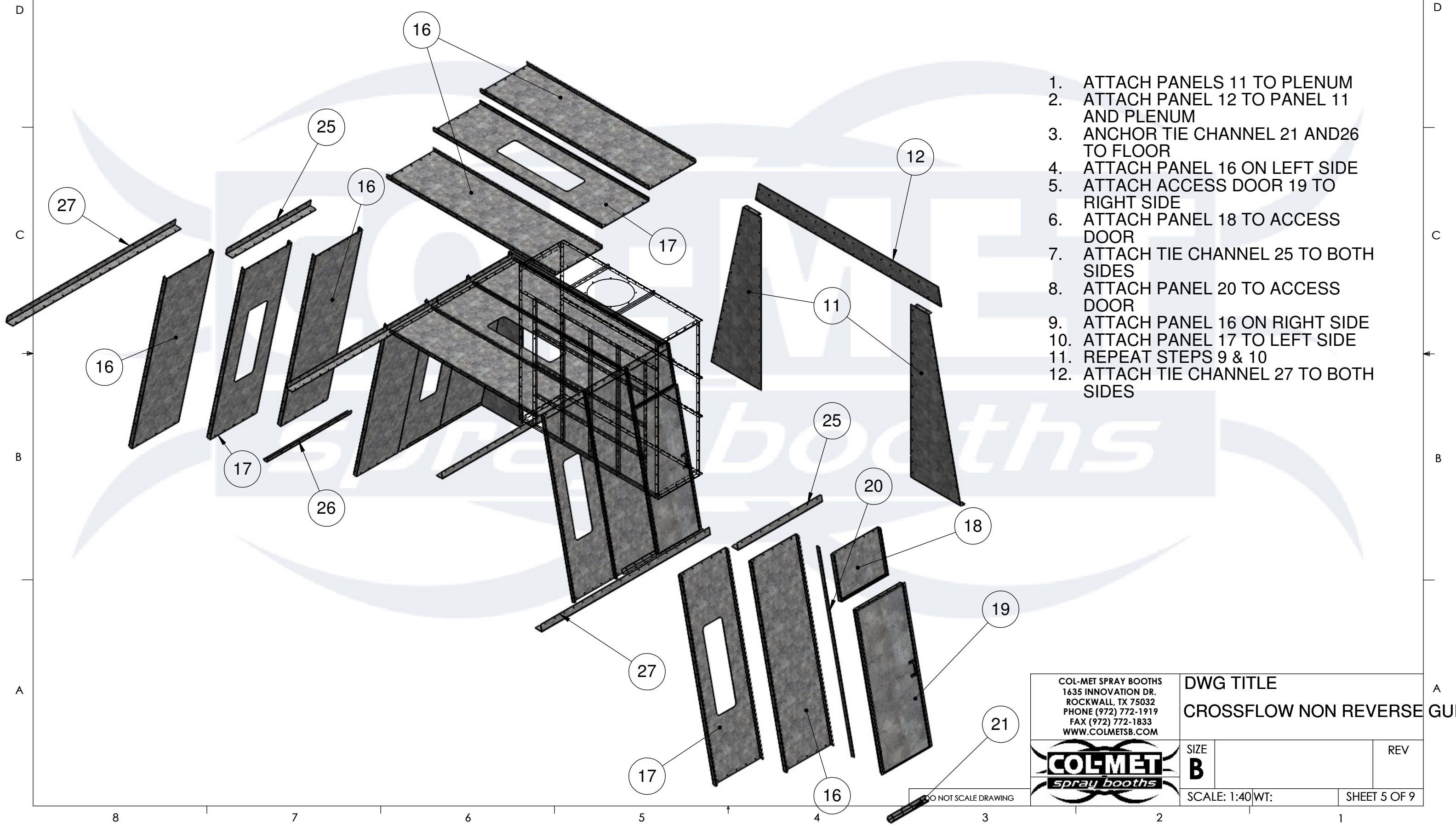
DWG TITLE  
 CROSSFLOW NON REVERSE GUIDE

SIZE <b>B</b>	REV
SCALE: 1:30 WT:	SHEET 4 OF 9

DO NOT SCALE DRAWING



# WALL AND ROOF INSTALL INSTRUCTIONS



1. ATTACH PANELS 11 TO PLENUM
2. ATTACH PANEL 12 TO PANEL 11 AND PLENUM
3. ANCHOR TIE CHANNEL 21 AND 26 TO FLOOR
4. ATTACH PANEL 16 ON LEFT SIDE
5. ATTACH ACCESS DOOR 19 TO RIGHT SIDE
6. ATTACH PANEL 18 TO ACCESS DOOR
7. ATTACH TIE CHANNEL 25 TO BOTH SIDES
8. ATTACH PANEL 20 TO ACCESS DOOR
9. ATTACH PANEL 16 ON RIGHT SIDE
10. ATTACH PANEL 17 TO LEFT SIDE
11. REPEAT STEPS 9 & 10
12. ATTACH TIE CHANNEL 27 TO BOTH SIDES

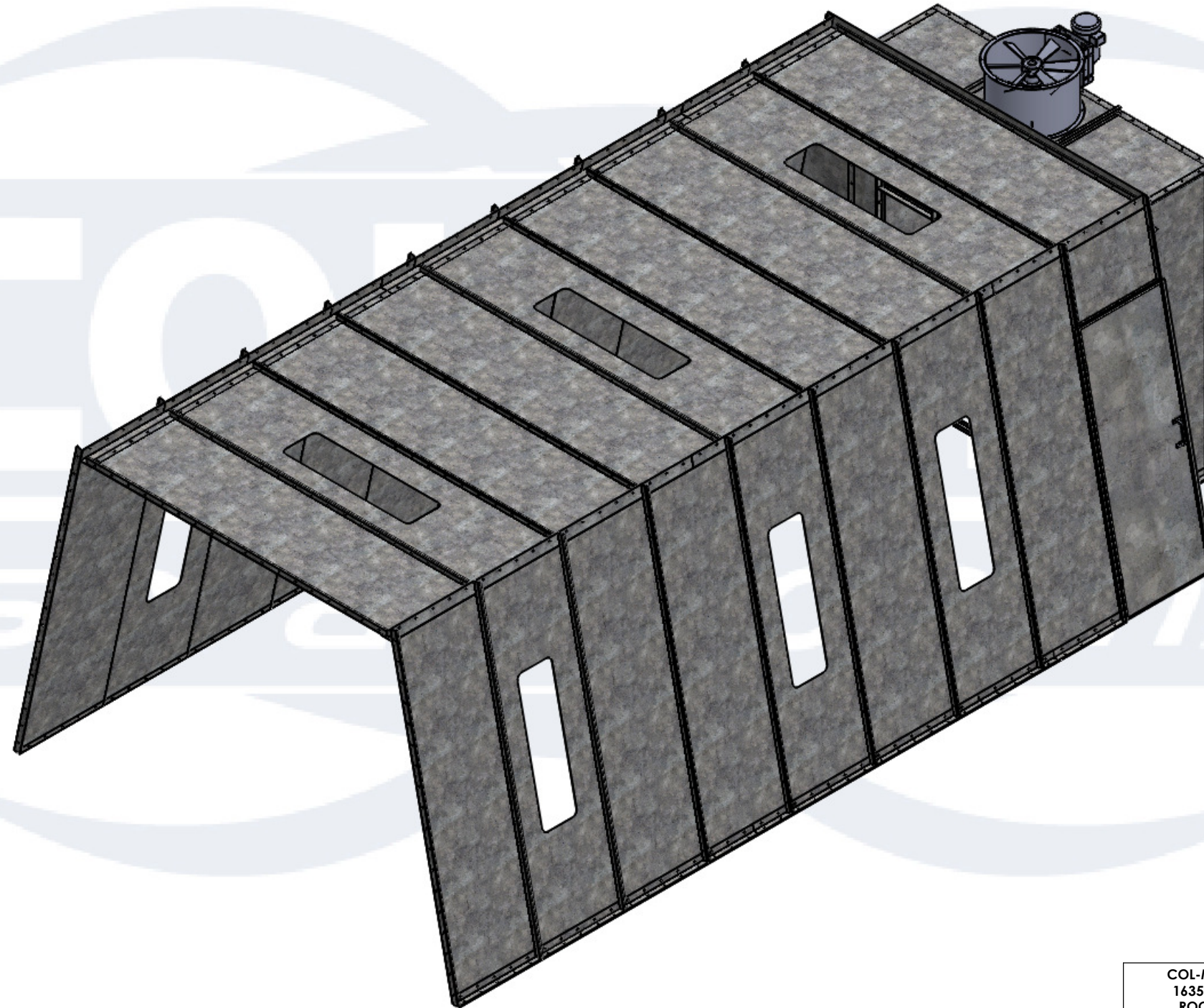
COL-MET SPRAY BOOTHS 1635 INNOVATION DR. ROCKWALL, TX 75032 PHONE (972) 772-1919 FAX (972) 772-1833 WWW.COLMETS.COM		<b>DWG TITLE</b> CROSSFLOW NON REVERSE GUIDE	
		SIZE <b>B</b>	REV
SCALE: 1:40 WT:			SHEET 5 OF 9

DO NOT SCALE DRAWING



# WALL AND ROOF INSTALL INSTRUCTIONS

REPEAT STEPS 3 & 4 UNTIL YOU HAVE WHAT IS SHOWN HERE



COL-MET SPRAY BOOTHS  
 1635 INNOVATION DR.  
 ROCKWALL, TX 75032  
 PHONE (972) 772-1919  
 FAX (972) 772-1833  
 WWW.COLMETS.COM

DWG TITLE  
 CROSSFLOW NON REVERSE GUIDE

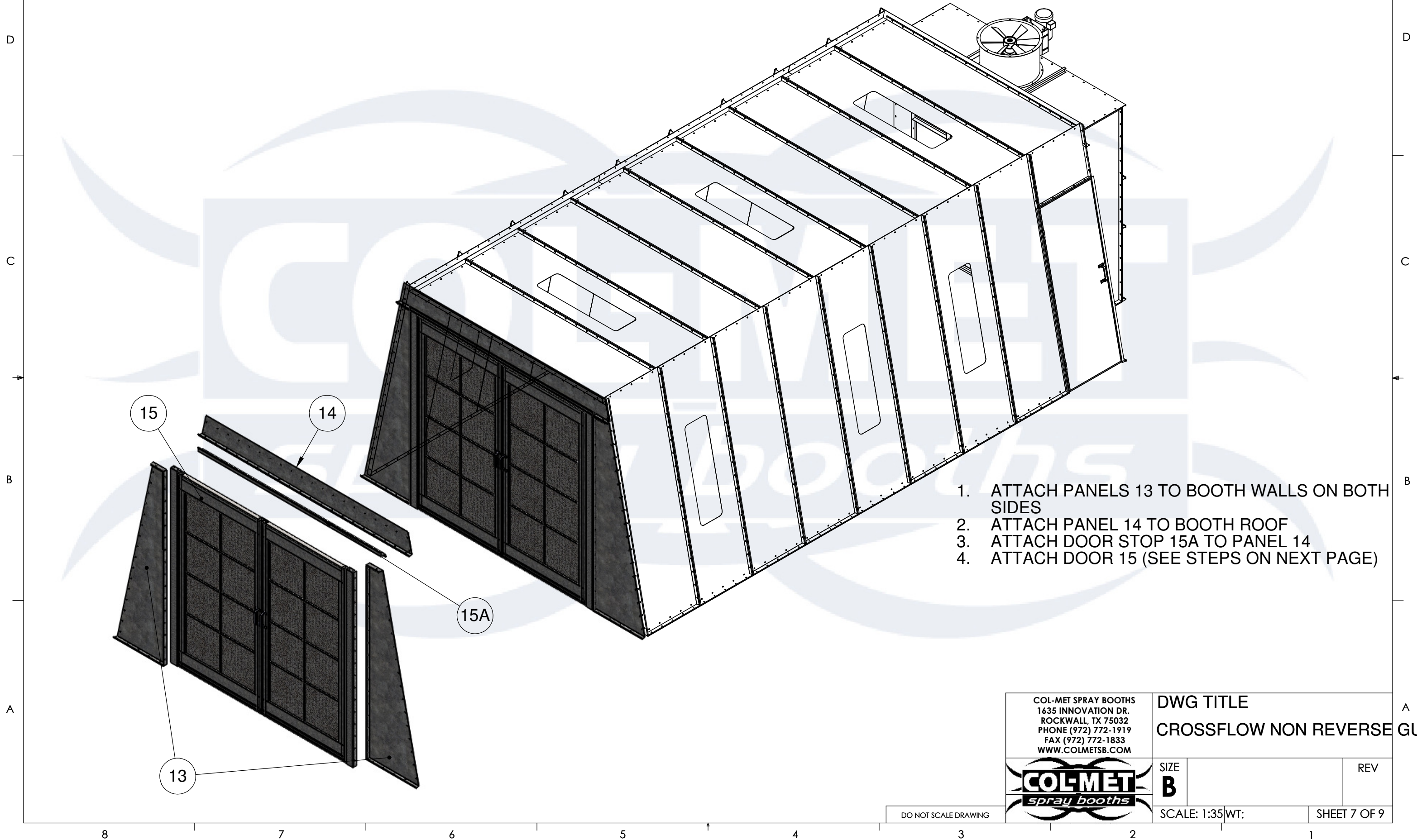


SIZE <b>B</b>	REV
SCALE: 1:35 WT:	SHEET 6 OF 9

DO NOT SCALE DRAWING



# WALL AND ROOF INSTALL INSTRUCTIONS



1. ATTACH PANELS 13 TO BOOTH WALLS ON BOTH SIDES
2. ATTACH PANEL 14 TO BOOTH ROOF
3. ATTACH DOOR STOP 15A TO PANEL 14
4. ATTACH DOOR 15 (SEE STEPS ON NEXT PAGE)

COL-MET SPRAY BOOTHS  
 1635 INNOVATION DR.  
 ROCKWALL, TX 75032  
 PHONE (972) 772-1919  
 FAX (972) 772-1833  
 WWW.COLMETS.COM

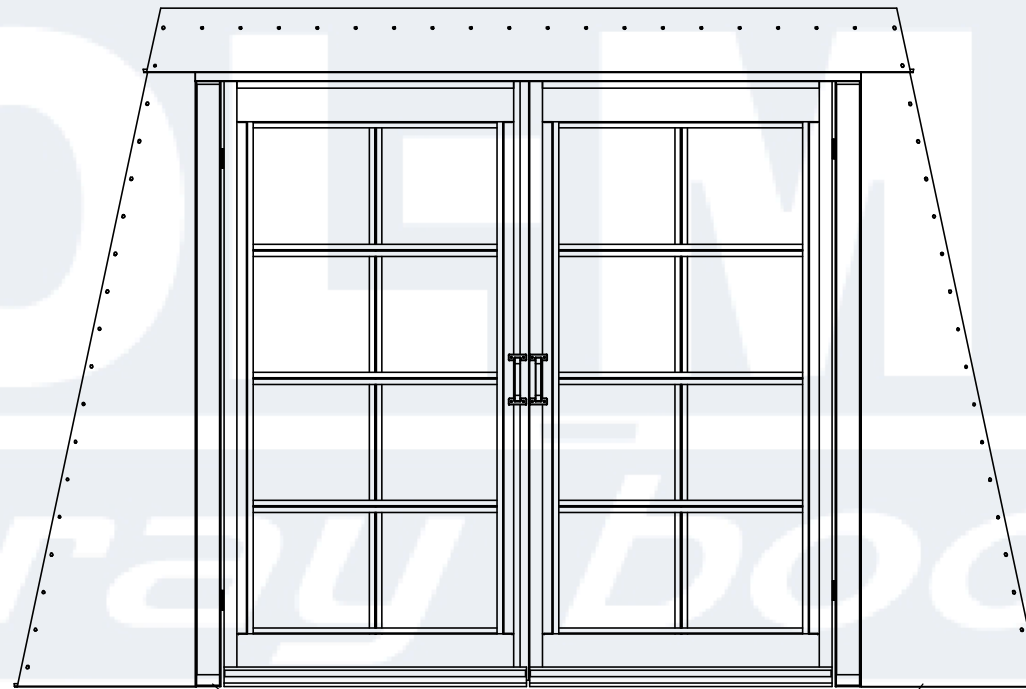


DWG TITLE  
 CROSSFLOW NON REVERSE GUIDE

SIZE <b>B</b>	REV
SCALE: 1:35 WT:	SHEET 7 OF 9

DO NOT SCALE DRAWING

# DOOR INSTALL INSTRUCTIONS



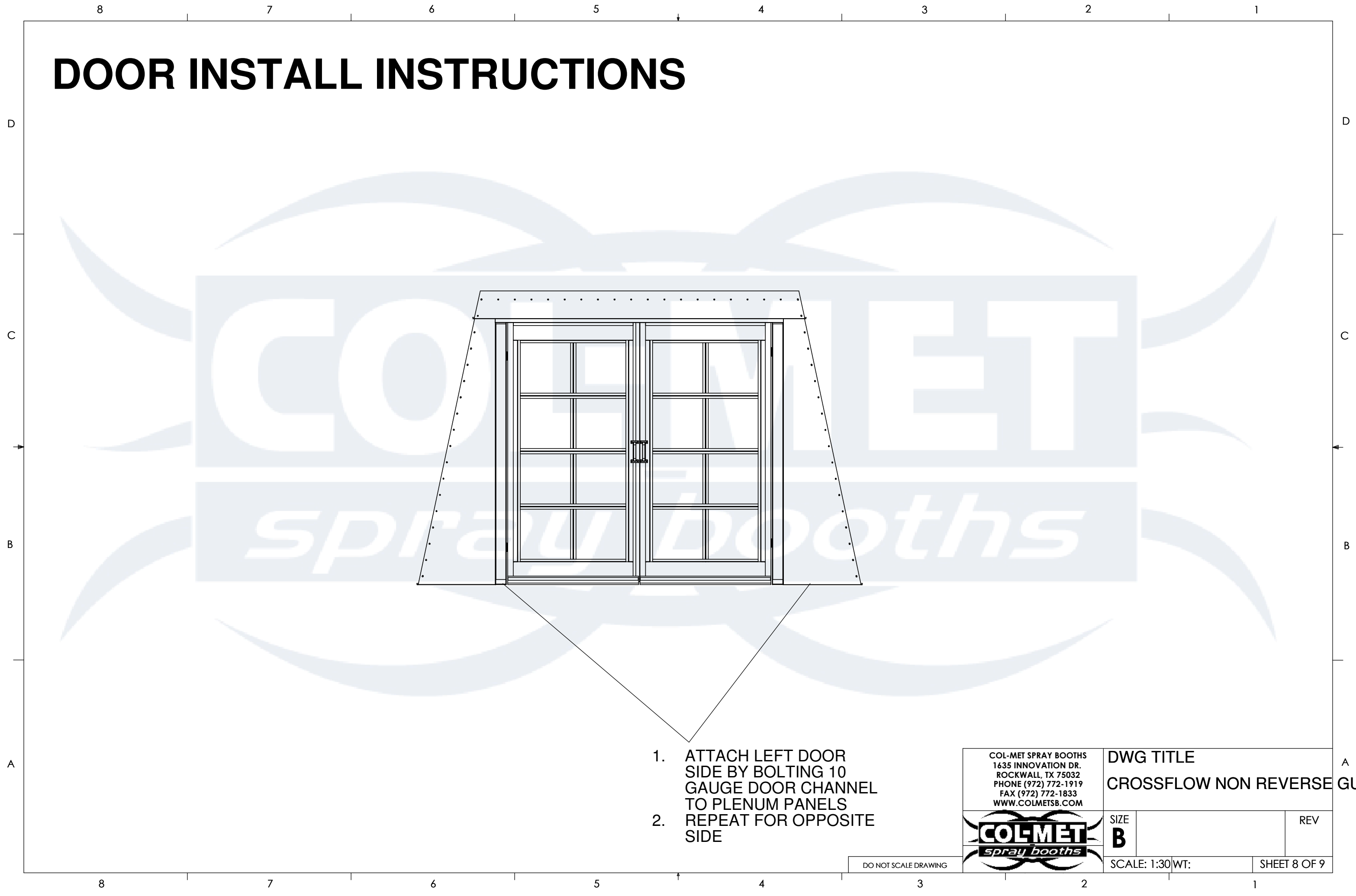
1. ATTACH LEFT DOOR SIDE BY BOLTING 10 GAUGE DOOR CHANNEL TO PLENUM PANELS
2. REPEAT FOR OPPOSITE SIDE

COL-MET SPRAY BOOTHS  
 1635 INNOVATION DR.  
 ROCKWALL, TX 75032  
 PHONE (972) 772-1919  
 FAX (972) 772-1833  
 WWW.COLMETS.COM



DWG TITLE		REV
CROSSFLOW NON REVERSE GUIDE		
SIZE		
<b>B</b>		
SCALE: 1:30 WT:	SHEET 8 OF 9	

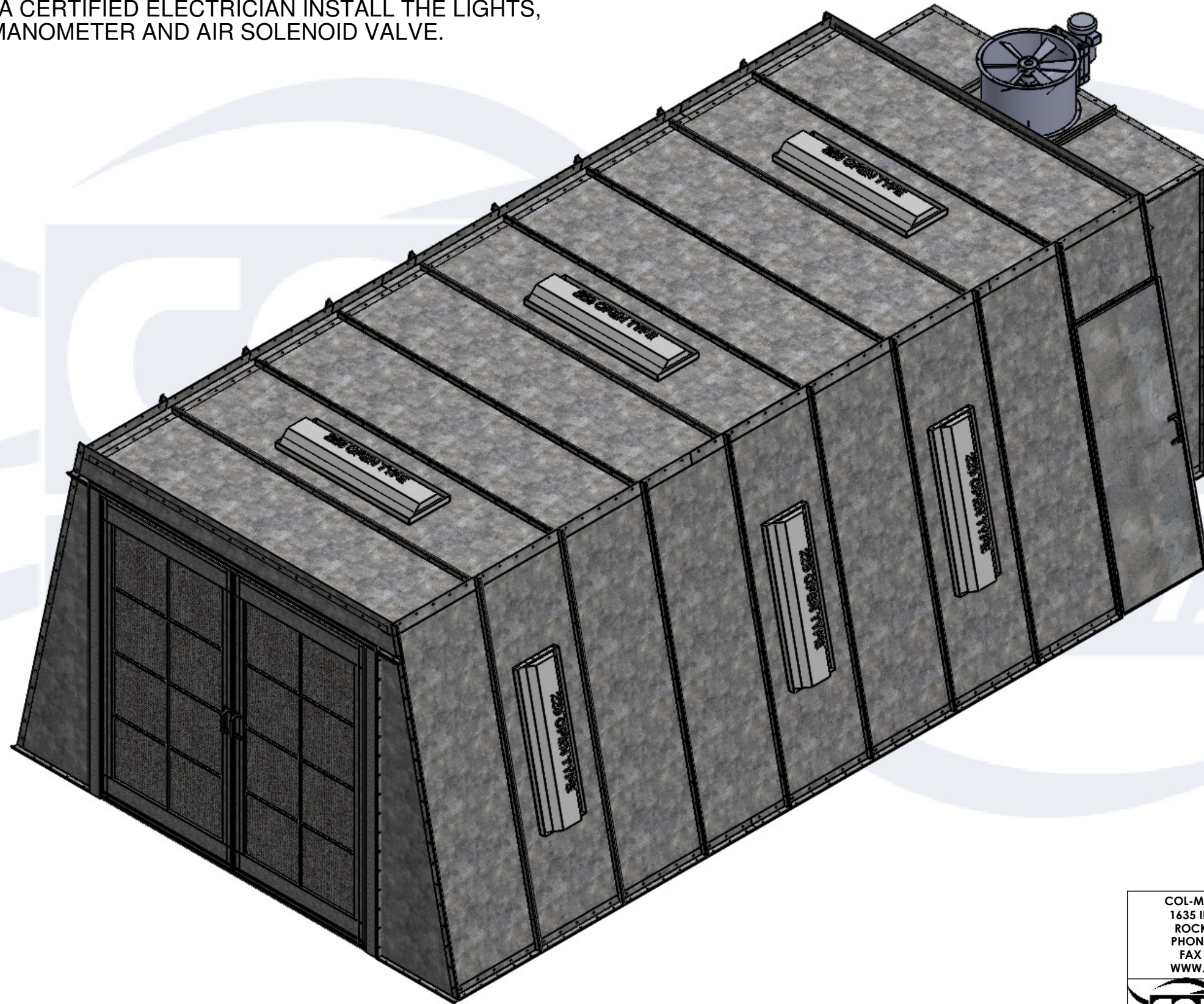
DO NOT SCALE DRAWING





# INSTALL ELECTRICS

HAVE A CERTIFIED ELECTRICIAN INSTALL THE LIGHTS, FAN, MANOMETER AND AIR SOLENOID VALVE.



COL-MET SPRAY BOOTHS  
1635 INNOVATION DR.  
ROCKWALL, TX 75032  
PHONE (972) 772-1919  
FAX (972) 772-1833  
WWW.COLMETS.COM

DWG TITLE  
CROSSFLOW NON REVERSE GUIDE



SIZE **B** REV

DO NOT SCALE DRAWING

SCALE: 1:30|WT:

SHEET 9 OF 9