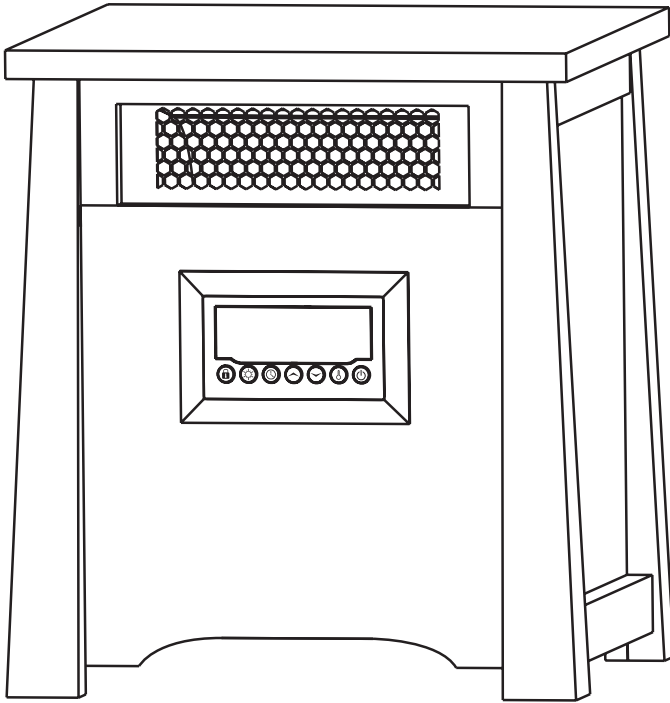




# INFRARED QUARTZ HEATER

lifesmart® is a registered trademark of  
Supply Chain Sources LLC., All Rights Reserved.

Customer Number:  
HT11255



## ATTACH YOUR RECEIPT HERE

Purchase Date \_\_\_\_\_ Serial Number (located on back of unit) \_\_\_\_\_



**Questions, problems, missing parts?** Contact technical support department at  
**657-341-0362, 9:00 a.m. - 5 p.m., PST, Monday - Friday** or visit us online at  
[www.lifesmartcomfort.com](http://www.lifesmartcomfort.com)  
Please have your model and serial number ready

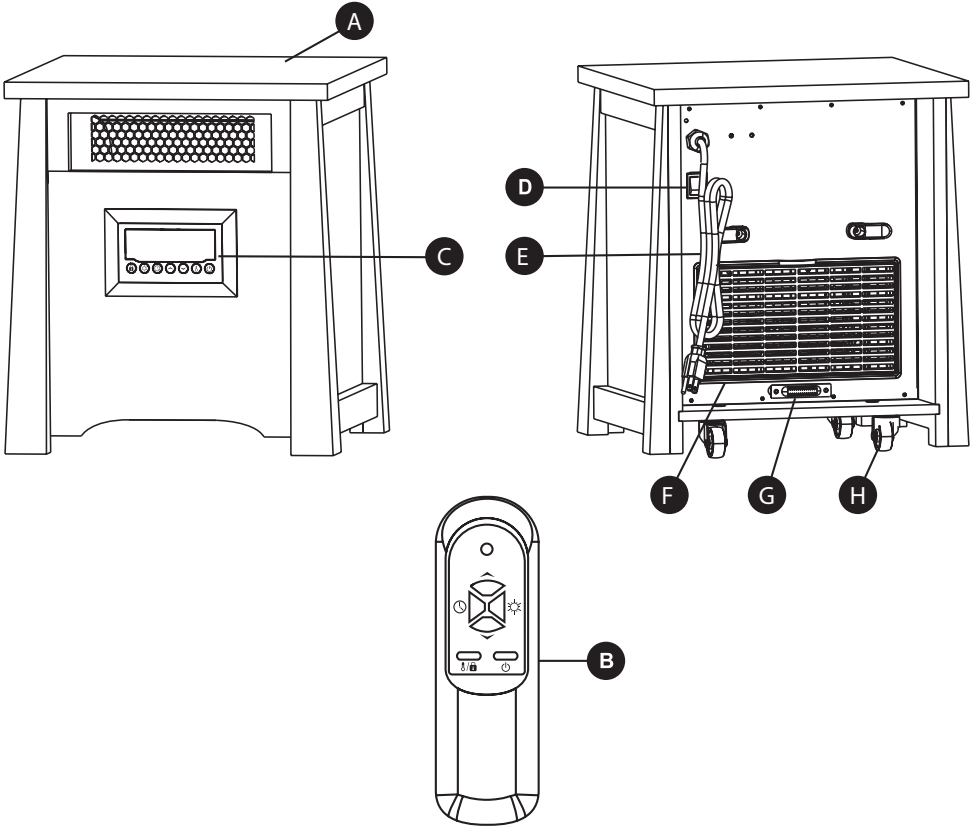


## TABLE OF CONTENTS

---

Package Contents .....	3
Safety Information .....	4
Frequently Asked Questions .....	6
Preparation .....	8
Troubleshooting .....	8
Control Panel .....	9
Remote Control .....	10
Operating Instructions .....	11
Care and Maintenance .....	13
One-Year Limited Warranty .....	14

**PACKAGE CONTENTS**



PART	DESCRIPTION	QUANTITY
A	Infrared Heater	1
B	Remote Control	1
C	Control Panel (preassembled to Infrared Heater (A))	1
D	Master Power Switch (preassembled to Infrared Heater (A))	1
E	3-prong Power Cord (preassembled to Infrared Heater (A))	1
F	Filter Cover (preassembled to Infrared Heater (A))	1
G	Temperature Sensor (preassembled to Infrared Heater (A))	1

## **⚠ SAFETY INFORMATION**

Please read and understand this entire manual before attempting to assemble, operate, or install the product.

# **IMPORTANT SAFETY INSTRUCTIONS**

**⚠ WARNING:** POTENTIAL ELECTRICAL HAZARD IF NOT ADHERED TO. When using electrical appliances, basic precautions should always be followed to reduce the risk of fire, electric shock, and injury to persons, including the following:

- This heater must be plugged into a 120 V, 15 amp (or more) circuit of its own. Do not plug anything else into the same circuit. If unsure if your home meets this specification, consult a certified electrician prior to use. **Risk of fire, overheating, malfunction, property damage, injury, or even death may result if not adhered to!**
- Connect to a properly grounded, 3-prong outlet only. Do not connect the heater to extension cords, surge protectors, timers, direct breakers, or an outlet with other appliances connected to the same outlet. **Risk of fire, overheating, malfunction, property damage, injury, or even death may result if not adhered to!**
- This heater is hot when in use. To avoid burns, do not let bare skin touch hot surfaces. Use handles (certain models) or wheels to move this heater.
- Keep combustible materials, such as furniture, pillows, bedding, papers, clothes, and curtains at least 3 ft. (0.9 m) from the front of the heater and keep them away from the sides and rear of the heater.
- Extreme caution is necessary when any heater is used by or near children, invalids, pets, or when the heater is left operating unattended.
- Always unplug the heater when not in use.
- Do not operate any heater with a damaged cord or plug or after the heater malfunctions, has been dropped, or damaged in any manner. Contact the manufacturer for resolution options.
- Do not use outdoors. Exposure to outdoor elements such as rain, snow, sun, wind, or extreme temperatures may cause the heater to become a safety hazard.
- This heater is not intended for use in bathrooms, laundry areas, and similar indoor locations, nor any locations that use GFCI outlets.
- Never place the heater where it may fall into a bathtub or other water receptacles.
- Do not run the cord under carpet. Do not cover the cord with throw rugs, runners, or similar coverings. Arrange the cord away from traffic areas and where it will not be tripped over.
- The heater must be plugged into a wall outlet that is a dedicated circuit with a minimum 15 amp rating on that individual circuit.
- To disconnect the heater, first turn the power button to the OFF position and then remove the plug from the wall outlet.
- Do not allow foreign objects to enter or block any ventilation or exhaust opening as this may cause electric shock, fire, or damage the heater.
- Allow at least 3 ft. of unobstructed space to the front and rear of the heater to allow for maximum heat, air, and ventilation flow.
- A heater has hot and arcing or sparking parts inside. Do not use it in areas where gasoline, paint, or flammable liquids are used or stored, nor use flammable solvents to clean the heater. Keep the heater dry at all times.
- Use this heater only as described in this manual. Any other use not recommended by the manufacturer may cause fire, electric shock, or injury to persons.
- Do not use abrasive solvents to clean the heater as it may cause damage to the finish or casing.
- To prevent a possible fire, do not block air intakes or exhaust in any manner. Do not use on soft surfaces, like a bed, where opening may become blocked.
- Always plug heaters directly into a wall outlet/receptacle. Never use with an extension cord or relocatable power tap (outlet/power strip).

## **SAVE THESE INSTRUCTIONS**



## **SAFETY INFORMATION**

### **Child Lock Safety Feature**

Press and hold the child lock button located on the control panel for 5 seconds or remote control for 3 seconds. Locking is confirmed when a buzzer rings and the control panel displays "CL". When locked, the control panel and remote control (if provided) will not function.



To unlock the control panel or remote (if provided), repeat this procedure. Unlocking is confirmed when a buzzer rings and the lock indication disappears.

### **Tip-Over Safety Feature**

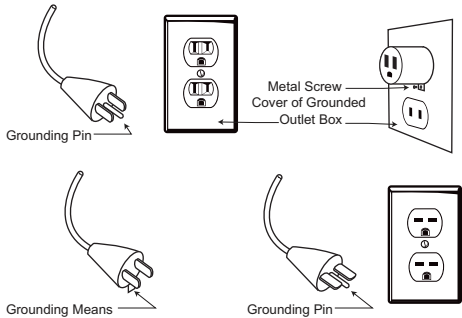
This heater is equipped with a tip-over safety feature. Once the heater is tipped over, an internal switch will automatically shut the heater off. Once the heater is restored to an upright position, the heater will reset. To continue operation, turn on the heater using the control panel or supplied remote control (if provided) on the heater.

### **Overheat Safety Feature**

This heater is equipped with an overheat safety feature. When the internal components of the heater reach a certain temperature that could cause overheating or possible fire, the heater will automatically shut off. If the unit has been overheated, you will need to unplug the unit from the wall and replug it in to use the heater again.

**WARNING:** This heater has a voltage rating of 120 volts. The cord has a three-blade, grounding-type plug. An adapter is available for connecting three-blade grounding-type plugs to two-slot receptacles. The grounding lug extending from the adapter must be connected to a permanent ground such as a properly grounded outlet box. The adapter should not be used if a three-slot grounded receptacle is available.

**DO NOT DEFEAT THE SAFETY PURPOSE OF THE GROUNDED PLUG.**



**WARNING:** It is normal for the power cord to feel warm to the touch. However, a loose fit between the outlet and the plug may cause overheating of the plug. If this occurs, try inserting the plug into a different outlet. Contact a qualified electrician to inspect the original outlet for damage.

### **Specifications**

Voltage Rating	120 V (60 Hz)
Power Consumption	1,000 W/1,500 W
Unit Size	16.2 in. (W) x 15.2 in. (D) x 18.3 in. (H)
Unit Weight	30.6 lbs.

## FREQUENTLY ASKED QUESTIONS

---

Please review these frequently asked questions on the next few pages prior to using your heater.

**Q. My heater emits a strange odor when I first open the box and when I turn the heater on for the first time. Why is this happening?**

**A.** This is normal. This heater is treated with a special heat safe/resistant coating. This odor will sometimes be present when the box is opened. When the coating is exposed to heat, it produces this particular odor during the first few hours of operation. This will dissipate after the break-in period. If you are sensitive to odors, you may want to pre-burn the unit in a garage with the door open until the initial odor dissipates.

**Q. If my heater runs on its max wattage setting, how many BTUs is that?**

**A.** This heater is intended to be used as supplemental heat in areas most needed. It may take several minutes to several hours to heat your area, depending on various factors. The below chart provides BTU translations for different wattages.

WATTAGE	BTUS
1,500	5,118
1,000	3,412
750	2,559
500	1,706

**Q. Can the heating elements be replaced?**

**A.** Replacement heating elements can be obtained from the manufacturer. All parts may be purchased through the manufacturer if your product is out of warranty. If you feel that the elements are definitely faulty right out of the box, contact Customer Support. A representative can then direct you to the next step.

**Q. Once I plug the unit in and turn it on, how long will it take to heat my room?**

**A.** The heating process in the heater begins immediately upon powering on and setting the desired temperature above the ambient temperature. A noticeable change in the ambient temperature of the room will vary due to variables such as the location of the heater (in the home), floor plan and size of the room, how well the room is insulated, how many doors/windows, how much bare concrete (acts as a heat sink with any type of heating), the opening and closing of an exterior door, long hallways, high ceilings, etc. Customers with smaller rooms experience quick heat changes. Rooms with larger and open floor plans can expect up to 24 hours to completely heat up.

**Q. I do not have a grounded outlet. Can I use adapters, a 2-prong power strip, or remove the ground prong from the cord?**

**A.** NO! If you do not have a grounded outlet, contact a certified electrician for advice. Removing or altering any part of the heater's original design or intent (including the power cord) will void the warranty and make you liable for any unexpected or hazardous results.

**Q. My Heater has an ECO setting? How does this setting work?**

**A.** The ECO mode on your heater is a program that attempts to keep the temperature strictly at a "warm" 68° F (20°C). This also helps with efficiency, as it is programmed to 1) Increase the power to the unit's maximum wattage if the temperature drops below 64.4°F (18°C) 2) Gradually reduce the wattage used as it approaches 66.2° (19°C) F and 3) Stop heating when 68° F (20°C) is achieved. This is considered an Economical function, since in the ECO setting, the heater is almost never running at the maximum watts.



## FREQUENTLY ASKED QUESTIONS

---

### **Q. The temperature on my heater does not match the temperature display on my wall, or external thermostat. Why?**

**A.** This is completely normal. The temperature display on your heater may vary from the temperature display on another thermostat (like the one mounted to your wall or a purchased external thermostat). This is because the temperature sensor on the heater reads the temperature directly around the heater. With the heater near the cold floor (and heat rising), any readings on elevated or external thermostats will differ in readings on the heater. The best way to operate your heater is to set the unit on High and dial up to a temperature that feels comfortable to you. Then, leave it at that temperature, regardless of the mismatch. The heater will cycle off when the set temperature is met or exceeded slightly.

### **Q. Can I use more than one heater at a time? Can I use the heater and another appliance at the same time?**

**A.** Yes, but make sure they are not plugged into the same circuit. Each heater requires its own minimum 15-amp circuit with no other items plugged into that circuit or outlet. This is because heaters are considered appliances and draw out high amperage. If you are unsure your circuit meets these requirements, verify with a certified electrician.

**⚠ WARNING:** Risk of fire, damage to property, or injury may result if requirements are not met.

### **Q. Why does my heater's fan continue to run after the set temperature is reached or the power is turned off?**

**A.** This is normal. The heater's fan will continue to run even after the heater automatically cycles down. The fan continues to run so that every last bit of heat is blown out of the heat chamber while allowing the unit to continue filtering your air. Once the internal box/components cool completely, the fan should then shut off on its own. In this case, allow a few minutes after the heat cycles off (with power on). The fan will shut off faster when the power is turned off.

### **Q. My heater's display shows my ambient temperature to be in the 20s when I know it is warmer than that. Why?**

**A.** The heater's display is defaulted to read the temperature as Fahrenheit. If your heater is definitely heating but shows it is in the 20s you probably have the setting to read your temperature in Celsius rather than Fahrenheit.

### **Q. My heater's power cord gets warm. My cord is showing signs of heat or melting at the outlet. Is this normal?**

**A.** A warm power cord is normal. These power cords are rated safe for up to 105°C/ 221°F by the UL, CSA, or ETL. The exception is, if you detect heat, smoke, or signs of melting at the contact point of the wall outlet, it may be due to loose or worn wall contacts (or arcing). Please stop using the heater immediately, contact warranty support for a replacement power cord, and have a certified electrician replace the wall outlet as soon as possible.

## PREPARATION

Place the heater on a firm, level surface and plug into a grounded 120 V, 60 Hz power outlet and turn on the power switch on the rear of the unit. Only operate heater in upright position.

Insert two AAA batteries into the remote control before using (batteries not included). \*(Not all products will include a remote control.)

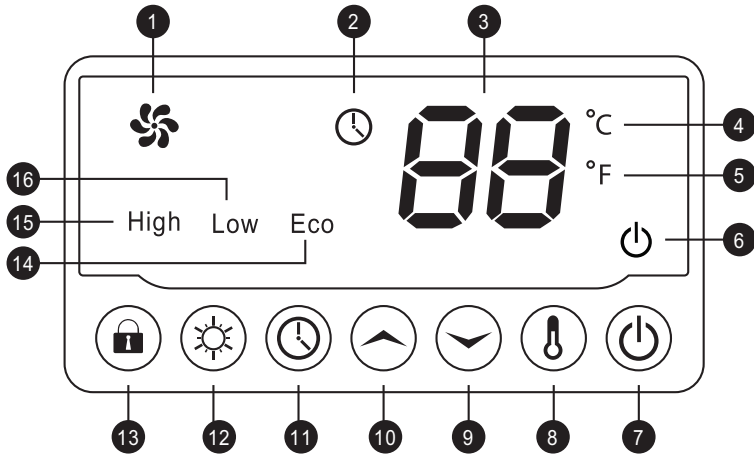
Please note that infrared heaters do not heat like a traditional space heater. You should not expect infrared heaters to blow hot air like a traditional space heater. Infrared heaters heat objects not air. Infrared heaters are intended to supplement an already heated, insulated room. Square footage specifications assume a single enclosed room not an entire home. Infrared heaters do not heat through walls, floors, and are not intended to replace a main heat source. Infrared heat can take at least 24 hours to warm a room but operate much more efficiently to maintain the desired temperature. Infrared heaters will not work well in uninsulated unheated spaces like screened in porches, RV's, garages, unheated basements, etc.

## TROUBLESHOOTING

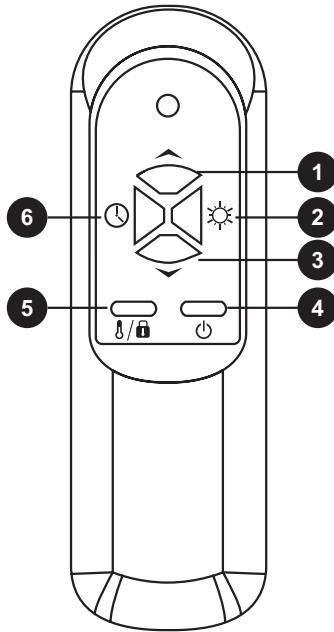
PROBLEM	POSSIBLE CAUSE	CORRECTIVE ACTION
The heater does not turn on.	<ol style="list-style-type: none"><li>1. The power cord is not plugged in.</li><li>2. The electricity at the main fuse box is not working.</li><li>3. The battery in the remote control is dead.</li><li>4. The thermostat on the heater is set lower than the room temperature.</li><li>5. The power switch in the back of the unit is not in the ON position.</li></ol>	<ol style="list-style-type: none"><li>1. Plug the power cord into an electrical outlet.</li><li>2. Check the electricity at the main fuse box.</li><li>3. Replace the batteries in the remote control.</li><li>4. Increase the thermostat temperature on the heater for a higher heat setting.</li><li>5. Switch the power switch to the ON position.</li></ol>
The heater displays an error code "E1"	<ol style="list-style-type: none"><li>1. The heater has overheated.</li><li>2. Insufficient power to the unit</li><li>3. The air filter is clogged.</li><li>4. Insufficient air flow to the heater.</li></ol>	<ol style="list-style-type: none"><li>1. Unplug the heater from the wall, wait a few seconds then plug the power cord back in.</li><li>2. Make sure the unit is plugged into a dedicated 3-prong outlet, with no extension cords or surge protectors.</li><li>3. Clean the air filter located on the back of the unit. see page 13.</li><li>4. Move the unit at least 3ft from the wall.</li></ol>
The heater displays an error code "E2"	<ol style="list-style-type: none"><li>1. Temperature sensor not functioning properly.</li></ol>	<ol style="list-style-type: none"><li>1. Please contact technical support.</li></ol>



## CONTROL PANEL



PART	NAME	DESCRIPTION
1	Fan Indicator Light	Indicates when the Fan is on
2	Timer Indicator Light	Indicates when the timer function is active
3	Digital Display	Readout of the set room temperature or timer value
4	Celsius Indicator Light	Indicates that the temperature is being displayed in Celsius
5	Fahrenheit Indicator Light	Indicates that the temperature is being displayed in Fahrenheit
6	Power Indicator Light	Indicates when the unit is receiving power from the wall outlet
7	Power Switch Button	Powers the heater ON or OFF
8	Ambient Temp. Button	Indicates ambient temp / hold to toggle between °C/°F
9	Temp-Down Button	Decreases the set temperature
10	Temp-Up Button	Increases the set temperature
11	Timer Button	Engages the on/off timer function
12	Heater Mode Button	Toggles between Hi / Low / Eco Modes
13	Safety Lock Button	Hold to Lock / Unlock heater's control panel
14	Energy Saving Indicator	Indicates when energy-saving mode is on
15	High Heat Indicator	Indicates when High Heat mode is on
16	Low Heat Indicator	Indicates when Low Heat mode is on

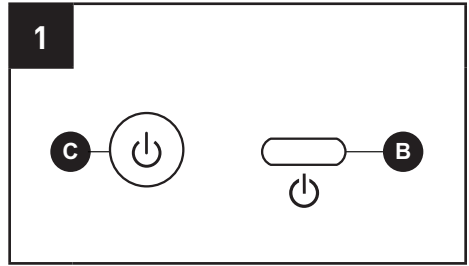


PART	NAME	DESCRIPTION
1	Temp Up Button	Increases the set temperature value
2	Mode Button	Toggles between the three heat modes available
3	Temp Down Button	Decreases the set temperature value
4	Power Button	Powers the heater on or off
5	Ambient/Lock Button	Short press: Shows Ambient temperature. Long press for 3 seconds to activate lock function.
6	Timer Button	Engages the on/off timer

## OPERATING INSTRUCTIONS

1. Turn the heater on or off by pressing the Power button on the control panel (C) or by pressing the ON/OFF button on the remote control (B).

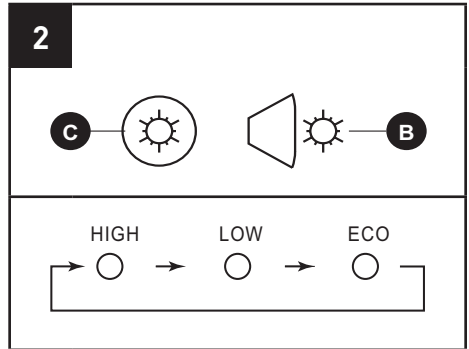
Once the power is off, heating elements will stop working first. The fan will continue working for up to 90 seconds to disperse residual heat inside the heater. This is a normal function.



2. Select a heat setting by pressing the MODE button on either the control panel (C) or the remote control (B) to toggle between the three heat settings.

Power for High is 1,500 W; Low is 1,000 W. ECO mode is an economic energy saving function. When ECO mode is chosen, the heater will operate to maintain a constant warm 68°F.

**Note:** The ECO LED light will only illuminate when the ECO function is active and the ambient room temperature falls below 68°F / 20°C.



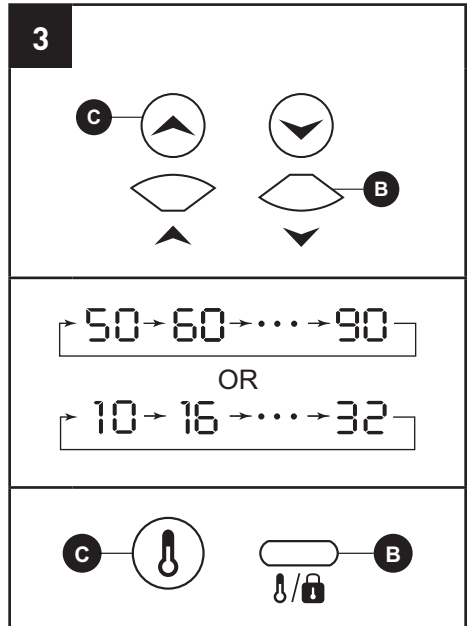
3. Set the temperature by pressing the arrows on the control panel (C) or the remote control (B).

You can set the temperature on the heater anywhere between 50°F and 90°F or between 10°C and 32°C. Once you have chosen the desired temperature, the heater will remain on until the room temperature increases to the temperature on the digital display. The heater will cycle on and off to maintain the desired room temperature.

To view the ambient temperature press the ambient temperature button on the control panel.

**Note:** To switch between Fahrenheit and Celsius, press and hold the ambient temperature button on the control panel (C) for 5 seconds.

**Note:** To engage the child lock on the remote (B), press and hold for 3 seconds. Deactivate the lock by repeating these steps.



**LIFE SMART**

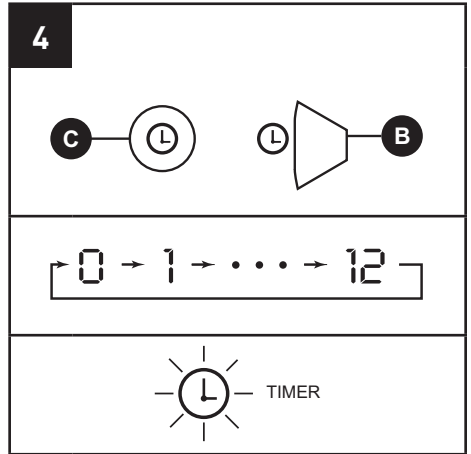
## OPERATING INSTRUCTIONS

4. To set the timer to power off the heater, start the unit and press the Timer button on the control panel (C) or remote control (B).

**Note:** The timer-power-off function can only be set when the heater is in power-on mode.

The digital display on the control panel (C) changes from the set temperature readout to a time value for the timer. Press the Timer button repeatedly to change the number value between a range of 0 to 12 hours (in 1-hour intervals).

The Timer light turns on when the timer is set.

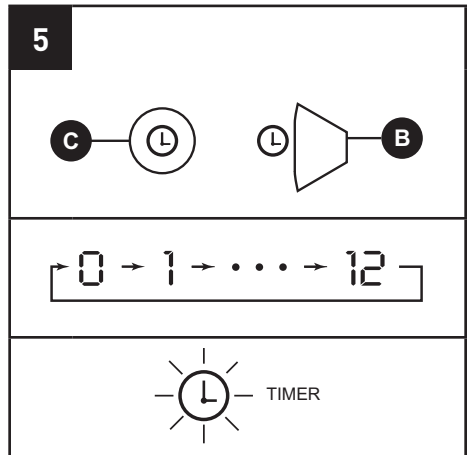


5. To set the timer to power on the heater, first ensure the unit is powered off, then press the timer button on the control panel (C).

**Note:** The timer-power-on function can only be set when the heater is in power-off mode.

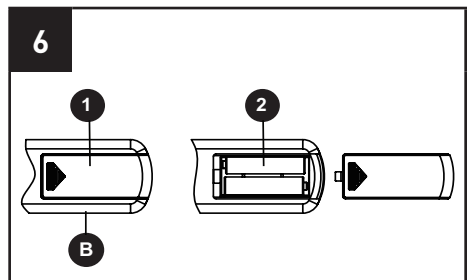
The digital display on the control panel (C) will indicate time value for the timer. Press the Timer button repeatedly to change the number value between a range of 0 to 12 hours (in 1-hour intervals).

The Timer light turns on when the timer is set.



6. To replace the batteries, remove the battery cover (1) from the remote (B) by applying pressure to the battery cover (1) and sliding it away from the remote (B). Insert two AAA batteries (not included) (2) and close the remote by placing the battery cover (1) back on the remote (B).

**Note:** Do not mix old and new batteries. Do not mix alkaline, standard (carbon-zinc), or rechargeable (NiCad, Ni-Mh, etc) batteries.



## CARE AND MAINTENANCE

**⚠ WARNING:** Before performing any maintenance task, turn off the power switch in the rear of the unit, unplug the unit, and allow it to cool completely.

1. To keep the heater clean, clean the outer shell with a soft, damp cloth. Use a mild detergent if necessary. After cleaning, dry the unit with a soft cloth.

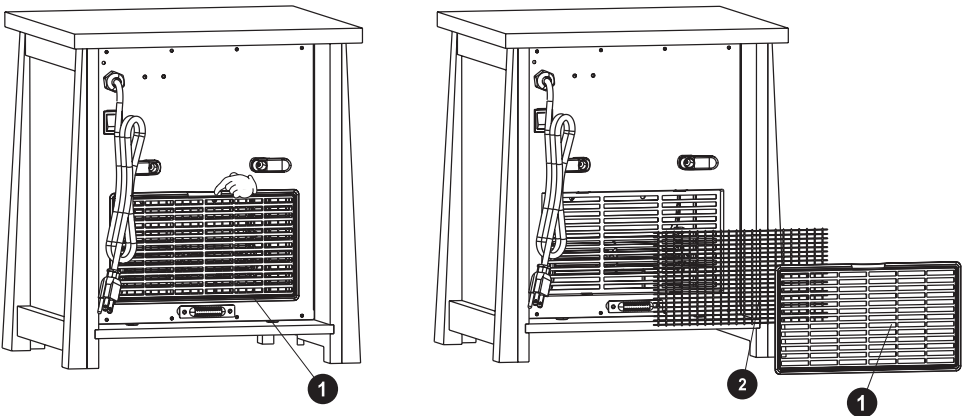
**CAUTION:** DO NOT let liquid enter the heater.

2. DO NOT use alcohol, gasoline, abrasive powders, furniture polish, or rough brushes to clean the heater. This may cause damage or deterioration to the surface of the heater.
3. DO NOT immerse the heater in water.
4. Wait until the unit is completely dry before use.
5. If you will not be using the heater for a while, take the batteries out of the remote control and store for future use.
6. Store the heater in a cool, dry location when not in use. To prevent dust and dirt build-up, use the original packaging to repack the unit.

### CLEANING THE AIR FILTER

1. Clean the air filter (2) after three months or if it appears to be blocking airflow. With the heater unplugged, remove the two filter screws (1) as illustrated below. Clean all parts of the filter assembly and allow parts to completely dry.
2. Reassemble and reinstall the filter (2).

**⚠ WARNING:** Do not use the heater without the filter assembly in place.



## **ONE-YEAR LIMITED WARRANTY**

---

The manufacturer warrants this heater against defects in materials and workmanship on functional parts, for a period of 1 year from the original date of purchase. Your sales receipt showing the date of purchase of the product is your proof of purchase. Keep it in a safe place for future reference. This warranty is subject to personal use only, commercial or rental applications will not be covered.

This product is made with the highest quality materials and is warranted to be free from defects in materials and workmanship at the time of purchase. This limited warranty applies to products manufactured or distributed by the manufacturer, are delivered in the continental United States or Canada and extends to the original purchaser, or gift recipient. This warranty becomes valid at the time of purchase and terminates either by the specified time frame listed above and/or owner transfer. Any refunds or monetary compensations must be claimed through the place of purchase (retailer), and not through the manufacturer. Any extended warranties (warranties that cover above and beyond this manufacturer warranty) that are sold through a retailer or third party, are not directly correlated with this products' limited warranty, and may be redirected to said retailer or third party for coverage.

This warranty extends through the manufacturer of the product, and covers functional parts only. Cosmetics are not covered, unless unequivocally determined it is a workmanship defect. Shipping damage should be addressed with the shipping company, retailer, or place of purchase, not the manufacturer unless the manufacturer was the direct shipper.

The manufacturer's sole obligation under this warranty shall be limited to furnishing the original purchaser replacement parts for units deemed repairable by the supplier's warranty department. The purchaser is responsible for insuring any parts shipped or returned, if desired. The purchaser is responsible to prepay any shipping charges (both ways) including, but not limited to taxes and duties. All exchanged parts and products replaced under this warranty will become the property of manufacturer. The manufacturer reserves the right to change manufacturers of replacement parts or products for use, in order to cover any existing warranty.

The purchaser may be asked to provide the supplier with proof of purchase documents (including the date of purchase) if requested. Any evidence of alteration, erasing, or forgery of proof of purchase documents will be just cause to VOID this limited warranty. Products, in which the serial number has been defaced or removed are not eligible for warranty coverage.

This warranty does not apply if the unit has been subject to negligence, fabrication, misuse, abuse, or repairs, alteration by non-manufacturer authorized personnel, inappropriate installations, or any case beyond the control of the manufacturer. Examples of warranty invalidation may also include, but are not limited to:

- Use of lacquer or paints in (and around) the heaters
- Heater placed on non-approved surfaces
- Electrical requirement deficiencies (15-20 amp dedicated outlet)
- Use on extension cords/timers/surge protectors/GFCI
- Outdoor applications
- Normal wear/tear/weathering
- Pet/consumer accidents

The manufacturer shall not be liable for any loss due to use (or misuse) of the heater or other incidental or consequential costs, expense or damages without irrefutable foundations. Under no circumstances shall the manufacturer or any of its representatives be held liable for injury to any person or damage to any property, however arising. Any implied warranty shall have duration equal of the applicable warranty stated above. Specifications are subject to change without notice or obligation.

This limited warranty gives the original purchaser specific legal rights. Other rights may vary from state to state.



**PLEASE REMEMBER TO REGISTER YOUR WARRANTY:**  
**web: [www.lifesmartcomfort.com](http://www.lifesmartcomfort.com)**  
**email: [csf@scsources.com](mailto:csf@scsources.com)**

**Printed in China**

lifesmart® is a registered trademark of  
Supply Chain Sources LLC., All Rights Reserved.

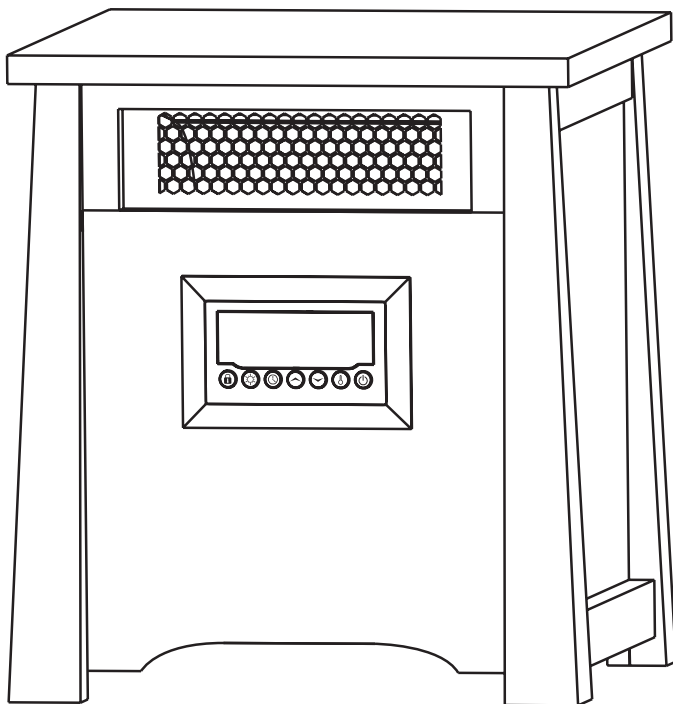






lifesmart® es una marca registrada de Supply Chain Sources LLC., Todos los derechos reservados.

modelo #HT1125



## ADJUNTE SU RECIBO AQUÍ

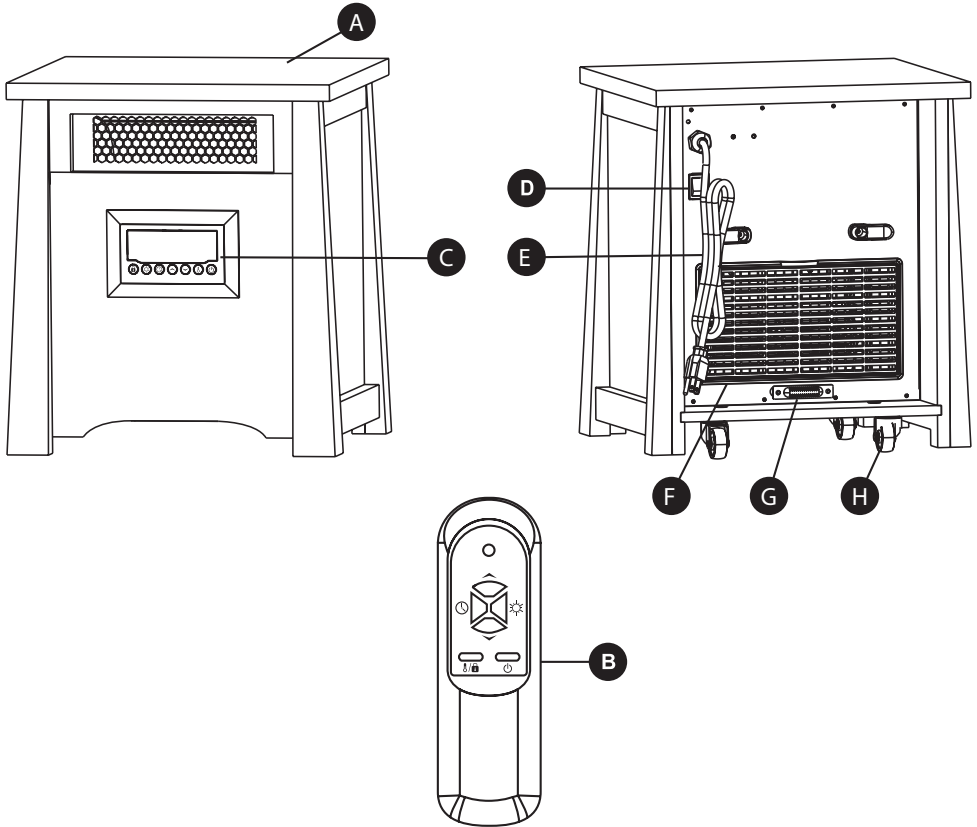
Fecha de compra \_\_\_\_\_ Número de serie (ubicado en la parte trasera de la unidad) \_\_\_\_\_



**¿Preguntas, problemas, piezas faltantes?** Llame a nuestro Departamento de Servicio al Cliente al **657-341-0362** de lunes a viernes de 9 a.m. a 5 p.m., hora estándar del Centro, y [www.lifesmartcomfort.com](http://www.lifesmartcomfort.com)  
Tenga preparado el número de serie y modelo.

Contenido del paquete .....	19
Información de seguridad .....	20
Preguntas frecuentes .....	22
Preparación.....	24
Solución de problemas.....	24
Panel de control .....	25
Control remoto .....	26
Instrucciones de funcionamiento .....	27
Cuidado y mantenimiento .....	29
Un año de garantía limitada.....	30


## CONTENIDO DEL PAQUETE



PART	DESCRIPTION	QUANTITY
A	Calentador Infrarrojo	1
B	Control Remoto	1
C	Panel de control (preensamblado en el calentador infrarrojo (A))	1
D	Interruptor de encendido principal (preensamblado en el calentador infrarrojo (A))	1
E	Cable de alimentación de 3 patas (preensamblado en el calentador infrarrojo (A))	1
F	Cubierta del filtro (preensamblado en el calentador infrarrojo (A))	1
G	Sensor de temperatura (preensamblado en el calentador infrarrojo (A))	1

Lea y comprenda completamente este manual antes de intentar ensamblar, usar o instalar el producto.

## INSTRUCCIONES IMPORTANTES DE SEGURIDAD

 **ADVERTENCIA:** POSIBILIDAD DE RIESGO ELÉCTRICO SI NO SE CUMPLEN LAS ADVERTENCIAS. Cuando utilice electrodomésticos, siempre tome medidas de precaución básicas para reducir el riesgo de incendios, descargas eléctricas y lesiones personales, incluidas las siguientes:

- Este calentador debe enchufarse a un circuito propio de 120 voltios y 15 amperios (o más). No enchufe ningún otro artefacto en el mismo circuito. Si tiene dudas sobre si su hogar cumple con esta especificación, consulte a un electricista certificado antes de usar el producto. **Si esto no se cumple, podrían producirse riesgos de incendio, sobrecalentamiento, daños a la propiedad, lesiones o incluso la muerte.**
- Conecte solo a un tomacorriente de 3 clavijas con la puesta a tierra adecuada. No conecte el calentador a extensiones eléctricas, protectores de corriente, temporizadores, interruptores de circuito o en un tomacorriente donde haya también otros electrodomésticos conectados. **Si esto no se cumple, podrían producirse riesgos de incendio, sobrecalentamiento, daños a la propiedad, lesiones o incluso la muerte.**
- Este calentador se calienta cuando está en funcionamiento. Para evitar quemaduras, no toque superficies calientes con la piel desnuda. Utilice las manijas (algunos modelos) o las ruedas para mover el calentador.
- Mantenga los materiales inflamables, como muebles, almohadas, ropa de cama, papeles, ropa y cortinas a 0,91 m (3 pies) como mínimo de la parte frontal del calentador y manténgalos alejados de los costados y de la parte posterior del mismo.
- Se debe tener extrema precaución cuando niños, personas discapacitadas y mascotas usen un calentador o cuando se use cerca de ellos, o cuando el calentador se deje funcionando sin supervisión.
- Siempre desenchufe el calentador cuando no lo use.
- No opere ningún calentador que tenga el cable o el enchufe dañado, o después de que el calentador haya fallado, se haya dejado caer o dañado de cualquier manera. Póngase en contacto con el fabricante para conocer las opciones de resolución.
- No lo use en exteriores. La exposición a los elementos exteriores, como la lluvia, la nieve, el sol, el viento o las temperaturas extremas, podría causar que el calentador se convierta en un riesgo de seguridad.
- Este calentador no está diseñado para usarse en baños, cuartos de lavado ni en espacios interiores similares, ni en ningún área donde se utilicen tomacorrientes GFCI.
- Nunca coloque el calentador donde se pueda caer dentro de una bañera u otros contenedores de agua.
- No pase el cable por debajo de alfombras. No cubra el cable con alfombras, tapetes o cubiertas similares. Coloque el cable lejos de zonas de tránsito en donde nadie pueda tropezarse y caer.
- El calentador debe enchufarse en un tomacorriente de pared con un circuito dedicado con una clasificación mínima de 15 amperios en dicho circuito individual.
- Para desconectar el calentador, primero gire el botón de encendido a la posición OFF (apagado) y luego retire el enchufe del tomacorriente de pared.
- No permita que objetos extraños ingresen o bloqueen las aberturas de ventilación o escape, ya que esto podría provocar descargas eléctricas, incendios o daños en el calentador.
- Deje un espacio sin obstrucciones de al menos 0,91 m desde las partes frontal y posterior del calentador para permitir el máximo flujo de calor, aire y ventilación.
- Un calentador contiene partes calientes y piezas que forman arcos eléctricos o que echan chispas. No lo utilice en áreas donde se almacene o utilice gasolina, pintura o líquidos inflamables, ni utilice solventes inflamables para limpiar el calentador. Mantenga el calentador seco en todo momento.
- Utilice este calentador solo como se describe en este manual. Cualquier otro uso no recomendado por el fabricante puede causar incendios, descargas eléctricas o lesiones personales.
- No use solventes abrasivos para limpiar el calentador, ya que podría dañar el acabado o la carcasa.
- Para evitar un posible incendio, no bloquee las entradas o salidas de aire de ninguna manera. No utilice sobre superficies blandas, como una cama, donde las aberturas pueden bloquearse.
- Siempre conecte los calentadores directamente en una toma de corriente / receptáculo. Nunca utilice con un cable de extensión o toque el poder reubicable (tira / potencia de salida).

**GUARDE ESTAS INSTRUCCIONES**

## **⚠ INFORMACIÓN DE SEGURIDAD**

### **Característica de bloqueo de seguridad infantil**

Pulse y mantenga pulsado el botón de bloqueo para niños se encuentra en el panel de control durante 3 segundos o mando a distancia durante 3 segundos. El bloqueo se confirma cuando suena una señal acústica y el panel de control muestra " CL ". Cuando está bloqueado , el panel de control y el mando a distancia (si la hay) no funcionarán.



Repita este procedimiento para desbloquear el panel de control y el control remoto. El desbloqueo se confirma cuando se produce un zumbido y desaparece el indicador de bloqueo.

### **Característica de seguridad antivuelco**

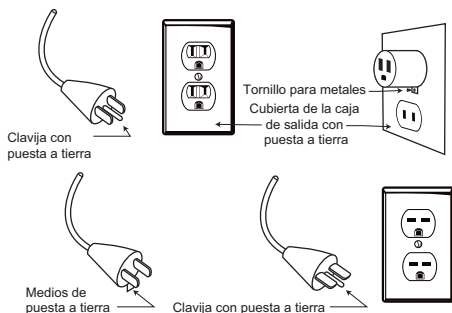
Este calentador está equipado con una característica de seguridad antivuelco. Si el calentador se vuelca, un interruptor interno apaga automáticamente el calentador. Una vez que el calentador vuelva a colocarse en posición vertical, el calentador se reiniciará. Para continuar con el funcionamiento, encienda el calentador con el control remoto provisto o en el panel de control en el calentador.

### **Característica de seguridad de sobrecalentamiento**

Este calentador está equipado con una característica de seguridad de sobrecalentamiento. Cuando los componentes internos del calentador alcanzan una temperatura que pueda causar el sobrecalentamiento o un posible incendio, el calentador se apaga automáticamente.

**⚠ ADVERTENCIA:** Este calentador tiene una clasificación de voltaje de 120 voltios. El cable tiene un enchufe de tres clavijas con puesta a tierra. Hay disponible un adaptador para conectar enchufes con puesta a tierra de tres clavijas en receptáculos de dos ranuras. La orejeta de puesta a tierra que sale del adaptador se debe conectar permanentemente a tierra, como por ejemplo, a través de una caja de salida con la debida puesta a tierra. El adaptador no se debe usar si hay disponible un receptáculo de tres ranuras con puesta a tierra.

**NO ANULE LA CARACTERÍSTICA DE SEGURIDAD DEL ENCHUFE CON PUESTA A TIERRA.**



**⚠ ADVERTENCIA:** Es normal que el cable de alimentación se sienta cálido al tacto. Sin embargo, si el enchufe está flojo en el tomacorriente, es posible que el enchufe se sobrecaliente. Si esto ocurre, intente insertar el enchufe en un tomacorriente diferente. Póngase en contacto con un electricista calificado para que revise si el tomacorriente original presenta daños.

### **Especificaciones**

<b>Clasificación de voltaje</b>	120 VOLTIOS (60 Hz)
<b>Consumo de energía</b>	1000 VATIOS/1500 VATIOS
<b>Tamaño de la unidad</b>	16,20" de ancho x 15,20" de profundidad x 18,30" de alto
<b>Peso de la unidad</b>	13,88 kilo

## PREGUNTAS FRECUENTES

---

Consulte las preguntas frecuentes en las próximas páginas antes de usar su calentador.

### **P. Mi calentador emite un olor extraño al abrir la caja por primera vez y al encenderlo por primera vez. ¿Por qué ocurre esto?**

**R.** Esto es normal. Este calentador está tratado con un recubrimiento especial resistente al calor. Este olor a veces puede sentirse al abrir la caja. Cuando el recubrimiento se expone al calor, produce este olor particular durante las primeras horas de funcionamiento. Este se disipará pasado el período de asentamiento. Si usted es sensible a los olores, debería encender la unidad en un garaje con la puerta abierta hasta que el olor inicial se disipe.

### **P. Si mi calentador funciona con su entorno potencia máxima, la cantidad de BTU es eso?**

**R.** Este calentador está destinado a ser utilizado como calefacción adicional en las zonas más se necesita. Se puede tardar varios minutos a varias horas para calentar la zona, dependiendo de varios factores. La tabla a continuación proporciona traducciones para diferentes potencias BTU.

VATIOS	BTUS
1500	5118
1000	3412
750	2559
500	1706

### **P. ¿Se pueden reemplazar los elementos de calefacción?**

**R.** Los elementos de calefacción de repuesto pueden obtenerse con el fabricante. Todas las piezas deben comprarse a través del fabricante si la garantía de su producto ha caducado. Si siente que los elementos presentan fallas desde recién sacados de la caja, póngase en contacto con Servicio al Cliente. Un representante lo guiará en los pasos a seguir.

### **P. Desde que enchufe y enciendo la unidad, ¿cuánto tomará para calentar mi habitación?**

**R.** El proceso de calefacción del calentador comienza inmediatamente después de encenderlo y configurar una temperatura deseada por sobre la temperatura de la habitación. El cambio notorio en la temperatura ambiente de la habitación fluctúa debido a variables como la ubicación del calentador (en el hogar), la distribución y el tamaño de la habitación, la calidad del aislamiento de la habitación, la cantidad de puertas/ventanas, la cantidad de concreto desnudo (actúa como disipador térmico con cualquier tipo de calefacción), la apertura y el cierre de la puerta exterior, los pasillos largos, los techos altos, etc. Los clientes con habitaciones más pequeñas experimentan cambios de temperatura rápidos. Las habitaciones con una distribución más grande y abierta pueden tardar hasta 24 horas en calentarse por completo.

### **P. No tengo un tomacorriente con puesta a tierra. ¿Puedo usar adaptadores, regletas eléctricas de 2 clavijas o retirar la clavija de puesta a tierra del cable?**

**R.** ¡NO! Si no tiene un tomacorriente con puesta a tierra, póngase en contacto con un electricista certificado para obtener ayuda. Retirar o alterar cualquier pieza del diseño original del calentador (incluido el cable de alimentación) o intentar hacerlo anulará la garantía y lo hará responsable por resultados inesperados o peligrosos.

### **P. ¿Cómo funciona la configuración ECO?**

**R.** La función ECO de su estufa es un programa que intenta mantener la temperatura estrictamente en "cálido" a 68°F / 20°C. Esto también ayuda a la eficiencia ya que está programada para 1) aumentar la potencia nominal a 1500W si la temperatura cae debajo de los 64,4°F / 18°C; 2) Reduce gradualmente la potencia nominal cuando se acerca a los 66,2°F / 19°C; y 3) Detiene la calefacción cuando alcanza los 68°F / 20°C. Esto se considera una función económica, ya que en la función ECO, la calefacción casi nunca funciona con una potencia máxima de vatios.

## PREGUNTAS FRECUENTES

---

**P: La temperatura en mi calentador no coincide con la temperatura que se muestra en mi termostato de pared o externo. ¿Por qué?**

**R.** Esto es completamente normal. La temperatura que se muestra en su calentador puede ser distinta de aquella que aparece en otro termostato (por ejemplo, uno montado en la pared o uno externo). Esto sucede porque el sensor de temperatura en el calentador lee la temperatura de su entorno directo. Si el calentador está cerca del piso frío (y el calor está ascendiendo), cualquier lectura en termostatos elevados o externos será distinta a la lectura del calentador. La mejor manera de operar su calentador es configurar la unidad en High y establecer una temperatura con la que usted se sienta cómodo. Luego, déjelo a esa temperatura, sin importar que las lecturas no coincidan. El calentador terminará el ciclo cuando se alcance o se supere la temperatura configurada.

**P. ¿Puedo usar más de un calentador a la vez? ¿Puedo usar el calentador y otro electrodoméstico al mismo tiempo?**

**R.** Sí, pero asegúrese de que no estén enchufados en el mismo circuito. Cada calentador requiere su propio circuito de 15 amperios como mínimo, sin otros artículos enchufados en ese mismo circuito o tomacorriente. Esto se debe a que los calentadores se consideran electrodomésticos y generan alto amperaje. Si tiene dudas sobre si su circuito cumple con estos requisitos, verifique con un electricista certificado.

**⚠ ADVERTENCIA:** No cumplir con los requisitos podría resultar en riesgo de incendio, daños a la propiedad o lesiones.

**P. ¿Por qué el ventilador de mi calentador continúa funcionando después de que se alcanza la temperatura configurada o se apaga la alimentación?**

**R.** Esto es normal. El ventilador del calentador continuará funcionando incluso después de que el calentador termine el ciclo automáticamente. El ventilador continúa funcionando a fin de expulsar todo el calor de la cámara de calor, al mismo tiempo que permite que la unidad siga filtrando el aire. Una vez que las cajas/componentes internos se enfríen por completo, el ventilador debería apagarse automáticamente. En este caso, espere unos minutos después de que finalice el ciclo del calentador (con el calentador encendido). El ventilador se apagará más rápido cuando el calentador se apague.

**P. La pantalla de mi calentador muestra que la temperatura ambiente está alrededor de los 20 grados, pero sé que está más caluroso que eso. ¿Por qué?**

**R.** La pantalla del calentador está predeterminada para leer la temperatura en Fahrenheit. Si su calentador está calentando, pero muestra que hay alrededor de 20 grados, probablemente lo configuró para que lea la temperatura en Celsius en vez de Fahrenheit.

**P. El cable de alimentación de mi calentador se calienta. Mi cable muestra signos de calentamiento o se está derritiendo en el tomacorriente. ¿Es normal?**

**R.** Un cable de alimentación tibio es normal. Estos cables de alimentación están clasificados como seguros para usarse con hasta 105°C/ 221°F por UL, CSA o ETL. La excepción es, si detecta calor, humo o signos de derretimiento en el punto de contacto del tomacorriente de pared, podría deberse a contactos sueltos o desgastados (o arqueados). Deje de usar el calentador inmediatamente; póngase en contacto con el servicio de garantía para obtener un cable de alimentación de repuesto y pida a un electricista calificado que reemplace el tomacorriente lo más pronto posible.

## PREPARACIÓN

Coloque el calentador en una superficie firme y nivelada y conectarse a una conexión a tierra 120 V, 60 Hz toma de corriente y encienda el interruptor de alimentación en la parte posterior de la unidad. Sólo opere el calentador en posición vertical.

Inserte dos pilas AAA en el mando a distancia antes de usar (baterías no incluidas). (\*No todos los productos incluirán un mando a distancia.)

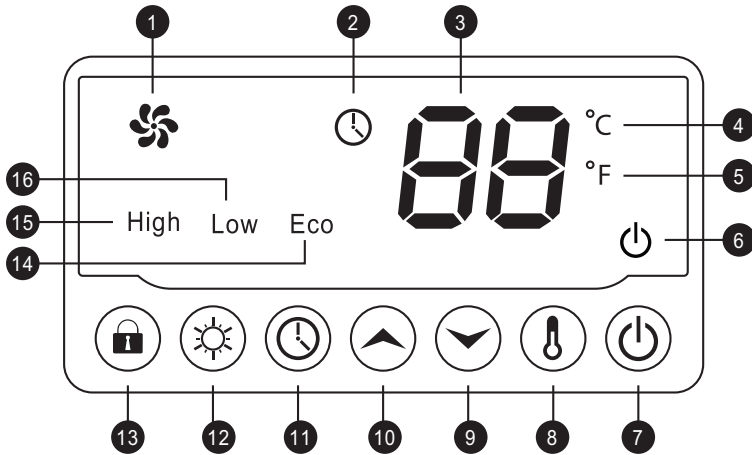
Tenga en cuenta que las estufas infrarrojas no calientan como los calefactores ambientales tradicionales. No debe esperar que las estufas infrarrojas produzcan una corriente de aire caliente como los calefactores ambientales tradicionales. Las estufas infrarrojas calientan objetos, no el aire. Las estufas infrarrojas tienen el objetivo de suplementar una habitación que ya fue calefaccionada y aislada. Las especificaciones sobre los pies cuadrados hacen referencia a una habitación cerrada, no una casa entera. Las estufas infrarrojas no calientan a través de las paredes, pisos y no tienen como objetivo reemplazar la fuente de calor principal. El calor infrarrojo puede tardar al menos 24 horas para calentar una habitación pero funciona de manera mucho más eficiente a la hora de mantener la temperatura deseada. Las estufas infrarrojas no funcionarán bien en espacios no aislados y sin calefacción como porches con mallas contra insectos, caravanas, garajes, sótanos sin calefacción, etc.

## SOLUCIÓN DE PROBLEMAS

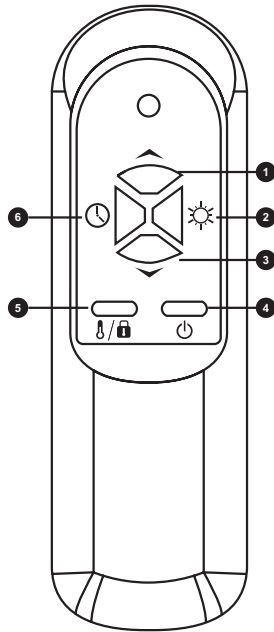
PROBLEMA	CAUSA POSIBLE	ACCIÓN CORRECTIVA
El calentador no enciende.	<ol style="list-style-type: none"><li>1. El cable de alimentación no está enchufado.</li><li>2. No hay electricidad en la caja de fusibles principal.</li><li>3. Se agotó la batería del control remoto.</li><li>4. El termostato del calentador está configurado a una temperatura más baja que la de la habitación.</li><li>5. El interruptor de encendido en la parte posterior de la unidad no está en la posición ON.</li></ol>	<ol style="list-style-type: none"><li>1. Enchufe el cable de alimentación en un tomacorriente.</li><li>2. Verifique que haya electricidad en la caja de fusibles principal.</li><li>3. Reemplace las baterías del control remoto.</li><li>4. Aumente la temperatura del termostato en el calentador para que produzca más calor.</li><li>5. Coloque el interruptor de alimentación en la posición ON.</li></ol>
La estufa muestra un código de error "E 1"	<ol style="list-style-type: none"><li>1. La estufa se ha recalentado.</li><li>2. Energía insuficiente para la unidad</li><li>3. El filtro de aire se encuentra bloqueado</li><li>4. Flujo de aire insuficiente para la estufa</li></ol>	<ol style="list-style-type: none"><li>1. Desenchufe la estufa de la pared, espere unos segundos y enchufe nuevamente el cable de corriente.</li><li>2. Asegúrese de que la unidad se encuentre enchufada a un tomacorriente independiente de tres patas, sin cables de extensión o protectores de sobrecarga.</li><li>3. Limpie el filtro de aire ubicado en la parte trasera de la unidad. Ver pág. 13.</li><li>4. Aleje la unidad al menos 3 pies de la pared.</li></ol>
La estufa muestra un código de error "E 2"	<ol style="list-style-type: none"><li>1. El sensor de temperatura no funciona correctamente</li></ol>	<ol style="list-style-type: none"><li>1. Póngase en contacto con la Asistencia Técnica</li></ol>



## PANEL DE CONTROL



PIEZA	DESIGNAR	DESCRIPCIÓN
1	luz de la indicación del temporizador	Indica cuando la función de temporizador está activo
2	Pantalla Digital	Lectura de la temperatura ambiente ajustada o el valor del temporizador
3	Celsius Luz indicadora	Indica que la temperatura se muestra en grados Celsius
4	Fahrenheit Luz indicadora	Indica que la temperatura se visualiza en grados Fahrenheit
5	Luz indicadora de encendido	Indica cuando la unidad está recibiendo alimentación de la toma de pared
6	Botón ON/OFF (encendido/apagado)	Enciende o apaga el calentador
7	Botón interruptor de temperatura ambiente	Muestra la temperatura ambiente y se alterna entre °C/°F
8	Botón Temp Down (Bajar temp.)	Disminuye la temperatura configurada
9	Botón Temp Up (Subir temp.)	Aumenta la temperatura configurada
10	Botón Timer Power (Encendido del temporizador)	Enciende/apaga la función de temporizador
11	Luz indicadora de encendido	Indica cuando la unidad está recibiendo alimentación de la toma de pared
12	Botón de bloqueo de seguridad	Bloquea / Desbloquea el panel de control del calentador
13	Luz Indicador de ahorro de energía	Indica cuando el modo de ahorro de energía está en
14	Indicador de calor alto	Indica cuando el modo High Heat (Calor alto) está encendido
15	Indicador de calor bajo	Indica cuando el modo Low Heat (Calor bajo) está encendido
16	Luz indicadora de fan de velocidad alta	Indica cuando el ventilador está encendido

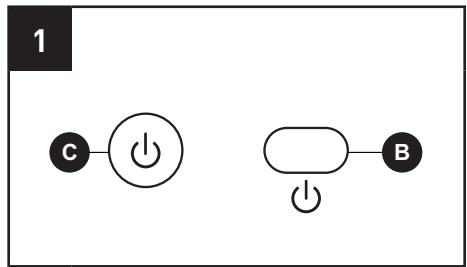


PIEZA	DESIGNAR	DESCRIPCIÓN
1	Temperatura Botón Arriba	Aumenta el valor de temperatura de consigna
2	H/L/E Botón	Alterna entre los tres modos de calor disponibles
3	Temperatura de Down Botón	Disminuye el valor de temperatura de consigna
4	Botón de encendido	Poderes del calentador dentro o fuera
5	Ambient / botón de bloqueo	Muestra la temperatura ambiente y cerradura de seguridad
6	Botón Timer	Participa en el temporizador de encendido / apagado

## INSTRUCCIONES DE FUNCIONAMIENTO

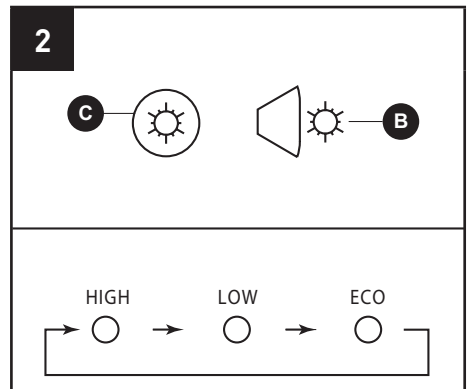
1. Encienda el calentador encendido o apagado pulsando el botón de encendido en el panel de control ( C ) o pulsando el botón de encendido del mando a distancia ( B ).

Una vez que el equipo está apagado , elementos de calefacción se dejan de funcionar por primera vez. El ventilador continuará trabajando para un máximo de 90 segundos para distribuir el calor residual en el interior del calentador. Esta es una función normal.



2. Seleccione una configuración de calor presionando el botón MODE en el panel de control ( C ) o en el control remoto ( B ) para alternar entre las tres configuraciones de calor.

La potencia para el modo de calor ascendente es de 1500 vatios, para el modo de calor descendente es de 1000 vatios. El modo ECO [Económico] es una función de ahorro de energía económica. Al seleccionar el modo ECO, el calentador consumirá un tercio menos de energía una vez que la temperatura de la habitación alcance un punto determinado.

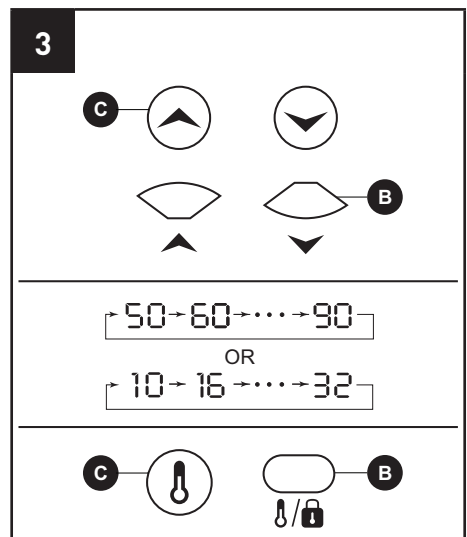


**Note:** La luz LED ECO sólo se enciende cuando la función ECO está activado y la temperatura ambiente cae por debajo de 68°F / 20°C .

3. Ajuste la temperatura pulsando las flechas en el panel de control ( C ) o el mando a distancia ( B ).

Usted puede ajustar la temperatura del calentador de cualquier lugar entre 50°F y 90°F o entre 10°C y 32°C. Una vez que haya elegido la temperatura deseada, el calentador permanecerá encendida hasta que la temperatura ambiente aumenta a la temperatura en la pantalla digital. El calentador se encenderá y apagará para mantener la temperatura ambiente deseada.

Para ver la prensa temperatura ambiente en el botón de la temperatura ambiente en el panel de control.



**Note:** Para cambiar entre Fahrenheit y Celsius, mantenga pulsado el botón de temperatura ambiente en el panel de control ( C ) durante 5 segundos.

**Note:** Para activar el bloqueo de niños en el mando a distancia ( B ), mantenga pulsado durante 3 segundos. Desactive el bloqueo repitiendo estos pasos.

**LIFE SMART**

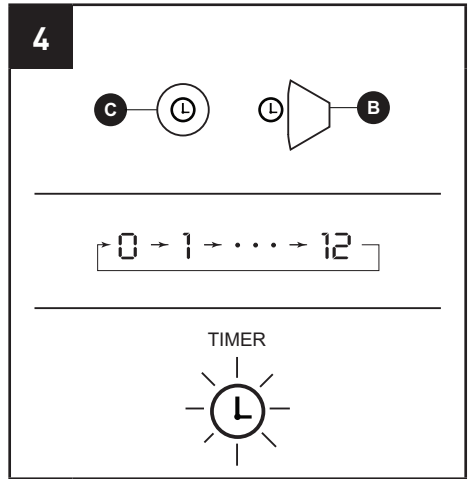
## INSTRUCCIONES DE FUNCIONAMIENTO

4. Para ajustar el temporizador para apagar el calentador , arrancar la unidad y presione el botón del temporizador en el panel de control (C) o el control remoto (B) .

**Note:** La función de apagado con temporizador solo puede configurarse cuando el calentador está encendido.

La pantalla digital en el panel de control (C) cambia de la lectura de la temperatura configurada al valor de hora del temporizador. Presione el botón Timer repetidamente para cambiar el valor del número entre un rango de 0 a 12 horas (en intervalos de 1 hora).

La luz Timer se enciende cuando se configura el temporizador.

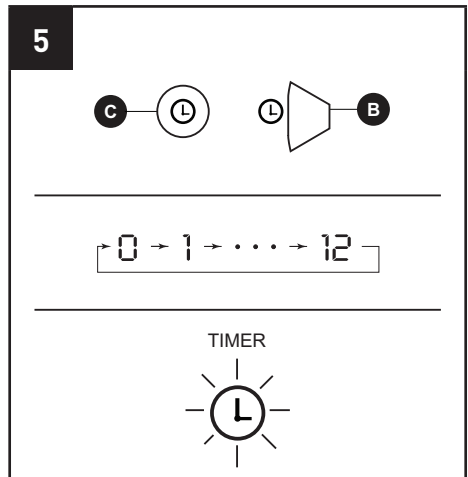


5. Para ajustar el temporizador para encender el calentador , primero asegúrese de que la unidad está apagada , a continuación, pulse el botón del temporizador en el panel de control (C).

**Note:** La función de encendido con temporizador solo puede configurarse cuando el calentador está apagado.

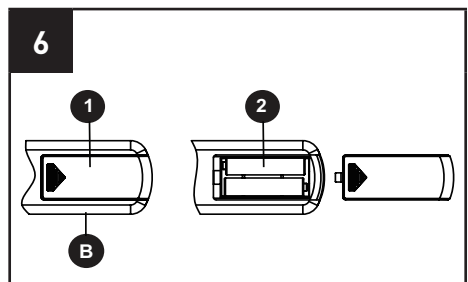
La pantalla digital en el panel de control (C) indicará el valor de hora del temporizador. Presione el botón Timer repetidamente para cambiar el valor del número entre un rango de 0 a 12 horas (en intervalos de 1 hora).

La luz Timer se enciende cuando se configura el temporizador.



6. Para reemplazar las baterías, retire la cubierta para baterías (1) del control remoto (B), aplicando presión en la cubierta para baterías (1) y deslizándola del control remoto (B). Inserte dos baterías AAA (no se incluyen) (2) y vuelva a colocar la cubierta para baterías (1) en el control remoto (B).

**Note:** No mezcle pilas viejas y nuevas . No mezcle pilas alcalinas , estándar (carbono - zinc) , o pilas recargables ( níquel-cadmio , Ni- Mh , etc ) .



**⚠ ADVERTENCIA:** Antes de realizar cualquier tarea de mantenimiento, desenchufe la unidad y permita que se enfríe por completo.

1. Para mantener limpio el calentador, limpie la cubierta exterior con un paño suave humedecido. Utilice un detergente suave si es necesario. Después de limpiar la unidad, séquela con un paño suave.

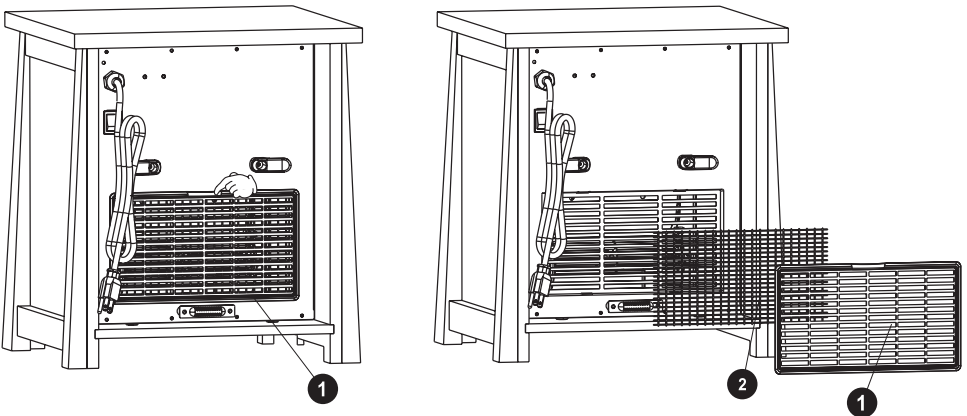
**PRECAUCIÓN:** NO permita que ingrese líquido al calentador.

2. NO use alcohol, gasolina, polvos abrasivos, pulidor de muebles ni cepillos duros para limpiar el calentador. Esto podría dañar o deteriorar la superficie del calentador.
3. NO sumerja el calentador en agua.
4. Espere a que la unidad esté completamente seca antes de usarla.
5. Si no va a utilizar el calentador por un período prolongado, retire las baterías del control remoto y almacénelas para su uso futuro.
6. Cuando no lo utilice, almacene el calentador en un lugar fresco y seco. Para evitar las acumulaciones de polvo y suciedad, use el empaque original para embalar la unidad.

### LIMPIEZA DEL FILTRO DE AIRE

1. Limpie el filtro de aire [2] después de tres meses o si el flujo de aire parece estar bloqueado. Con el calentador desenchufado, retire los dos tornillos para el filtro [1] como se indica a continuación. Limpie todas las piezas del ensamble del filtro y permita que las piezas se sequen por completo.
2. Vuelva a ensamblar e instalar el filtro [2].

**⚠ ADVERTENCIA:** No utilice el calentador si el ensamble del filtro no se encuentra en su lugar.



## UN AÑO DE GARANTÍA LIMITADA

---

El fabricante garantiza este calentador contra defectos en los materiales y la mano de obra en las piezas funcionales por un período de un 1 año, a contar de la fecha de compra original. Su prueba de compra es el recibo de venta que muestra la fecha de compra del producto. Almacénelo en un lugar seguro para referencia futura. Esta garantía está sujeta a uso personal, no serán cubiertos aplicaciones comerciales o de alquiler.

Este producto está fabricado con los materiales de la más alta calidad y está garantizado contra defectos en los materiales y la mano de obra al momento de la compra. Esta garantía limitada se aplica a los productos fabricados o distribuidos por el fabricante, que se entregan en Estados Unidos continental y se extiende al comprador original o receptor del obsequio. Esta garantía entra en vigencia al momento de la compra y culmina ya sea en el período de tiempo especificado anteriormente y/o en la transferencia de propietario. Cualquier reembolso o compensación monetaria debe reclamarse en el lugar de la compra (tienda minorista) y no a través del fabricante.

Esta garantía la extiende el fabricante del producto y cubre solo las piezas funcionales. Los elementos cosméticos no están cubiertos, a menos que se determine inequívocamente que es un defecto de mano de obra. Los daños que se produzcan durante el transporte deben tratarse con la empresa de envíos, la tienda minorista o el lugar de la compra, no con el fabricante.

La única obligación del fabricante bajo esta garantía estará limitada a proveer al comprador original las piezas de repuesto para las unidades que se consideren reparables, según el departamento de garantía del proveedor. El comprador es responsable de asegurarse de que cualquier pieza sea enviada o devuelta, si lo desea. Todas las piezas y productos reemplazados bajo esta garantía serán de propiedad del fabricante. El proveedor se reserva el derecho de cambiar de fabricante de las piezas de repuesto o productos para el uso, para cubrir cualquier garantía existente.

Se pedirá al comprador que entregue al proveedor los documentos de la prueba de compra (incluida la fecha de compra) si se solicita. Cualquier evidencia de alteración, borrado o falsificación de los documentos de la prueba de compra serán causa de ANULACIÓN de esta garantía limitada. Los productos en los que el número de serie se haya pintado o retirado no son elegibles para la cobertura de garantía.

Esta garantía no aplica si la unidad ha estado sujeta a negligencias, fabricaciones, mal uso, abuso o reparaciones, alteraciones realizadas por personal no autorizado por el fabricante, instalaciones inadecuadas o en cualquier caso que escape del control del fabricante. Ejemplos de invalidaciones de la garantía también incluyen, entre otros:

- Uso de lacas o pinturas en (o alrededor) de los calentadores
- Ubicación del calentador sobre superficies no aprobadas
- Deficiencias en los requisitos eléctricos (tomacorriente dedicado de 15 a 20 amperios)
- Uso con extensiones eléctricas/temporizadores/protectores de corriente/GFCI
- Aplicaciones en exteriores
- Uso, desgaste o deterioro normales
- Accidentes causados por mascotas o consumidores

El fabricante no será responsable por ninguna pérdida debido al uso (o mal uso) del calentador u otros costos, gastos o daños accidentales o resultantes sin fundamentos irrefutables. Bajo ninguna circunstancia el fabricante ni ninguno de sus representantes será responsable de lesione a las personas o daños a la propiedad, como sea que surjan. Cualquier garantía implícita tendrá la misma duración de la garantía aplicable indicada anteriormente. Las especificaciones están sujetas a cambio sin previo aviso ni obligación.

Esta garantía limitada le otorga al comprador original derechos legales específicos. Otros derechos podrían variar según el estado.



**POR FAVOR RECUERDE REGISTRAR SU GARANTÍA:**

sitio: [www.lifsmartcomfort.com](http://www.lifsmartcomfort.com)

email: [cs@scsources.com](mailto:cs@scsources.com)

**Impreso en China**

lifsmart® es una marca registrada de Supply Chain SourcesLLC., Reservados Todos Los Derechos.

