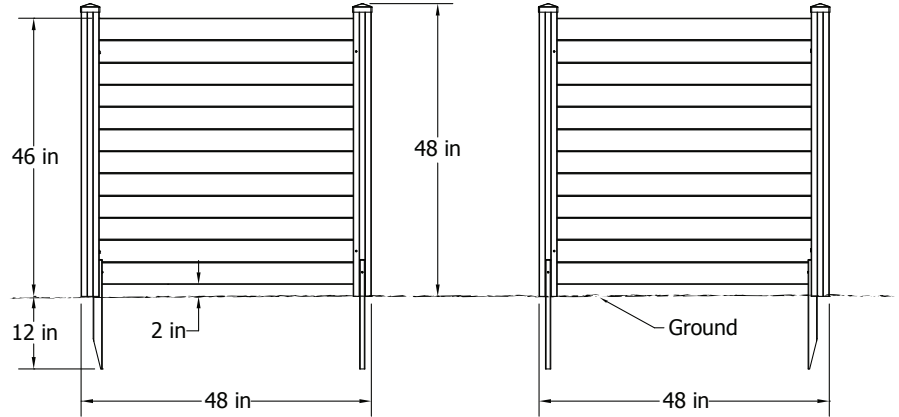
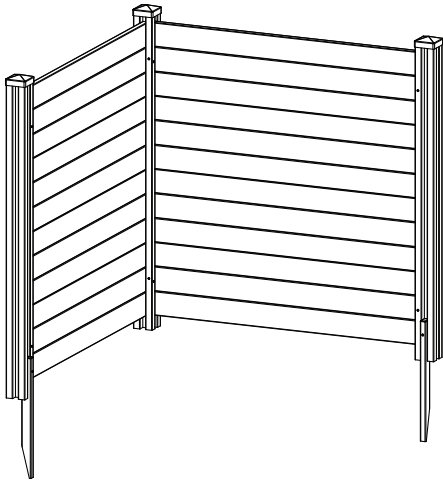


ASSEMBLY INSTRUCTIONS



ZIPPITY
DO-IT-YOURSELF
FRIENDLY PRODUCTS

Premium Vinyl Privacy Screen (48"W x 48"H)



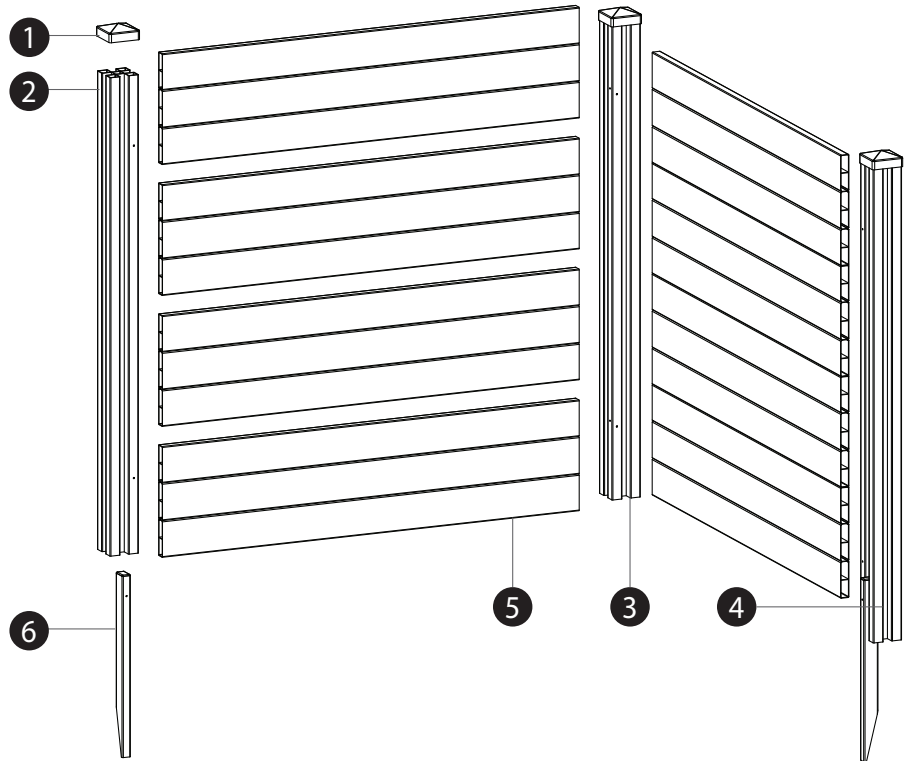
Please read through before starting assembly.

IMPORTANT: CHECK THE INSIDE OF THE LARGER PIECES IN YOUR BOX FOR OTHER MATERIALS PACKED INSIDE.

Check Box for These Contents

In the event of missing or defective parts please call our customer service department at **1 877 234 6196** (Mon. to Fri. 8:00 AM to 4:00 PM EST).

1. Post Caps (3)
2. Post - Left (1) - 3" x 3" x 47 1/2"
3. Post - Corner (1) - 3" x 3" x 47 1/2"
4. Post - Right (1) - 3" x 3" x 47 1/2"
5. Board Wall (8) - 7/8" x 11" x 44"
6. Ground Stake (2) - 7/8" x 1 1/2" x 18"
7. 2 1/2" Self-Auguring Stainless Steel Screw (10)



Tools You Will Need

- Cordless Drill
- Level
- Hammer

General Information

- **Read Instructions through carefully before beginning assembly.**
- When assembling components, place on a non-abrasive surface (i.e. shipping box) to avoid scratching.
- We recommend an area approx 5' x 8' for unobstructed assembling.
- You should not need to use excessive force when assembling components.



Not to Scale

STEP ONE

Assemble Full Panel

1

Identify the left and corner post as illustrated. With a helper, slide a board down the groove until the board bottoms out on the factory installed screw head (roughly 2" from the bottom of the post).

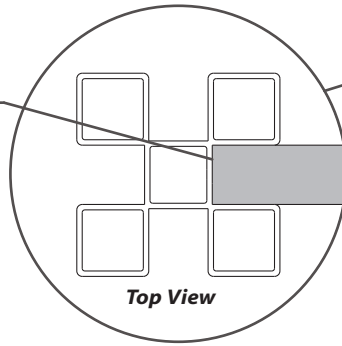
2

Fasten each post to the board using the screws provided through the pre-drilled holes.

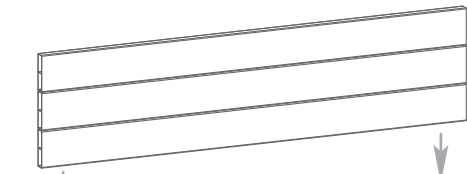
3

Add three more boards and fasten the top board panel into the posts as illustrated.

Ensure Board is Tight to the Back of the Groove in post.



1

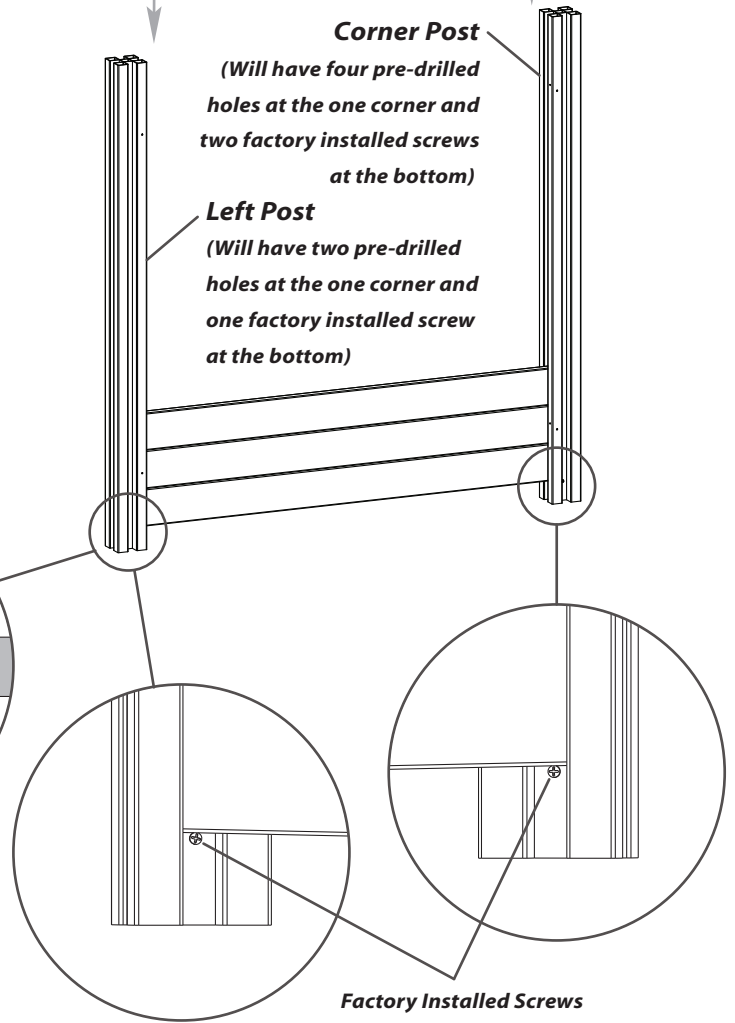


Corner Post

(Will have four pre-drilled holes at the one corner and two factory installed screws at the bottom)

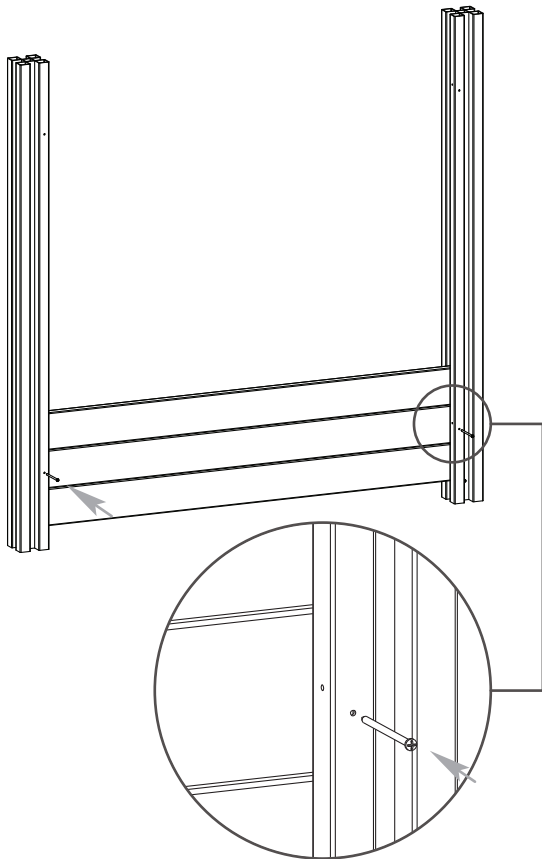
Left Post

(Will have two pre-drilled holes at the one corner and one factory installed screw at the bottom)

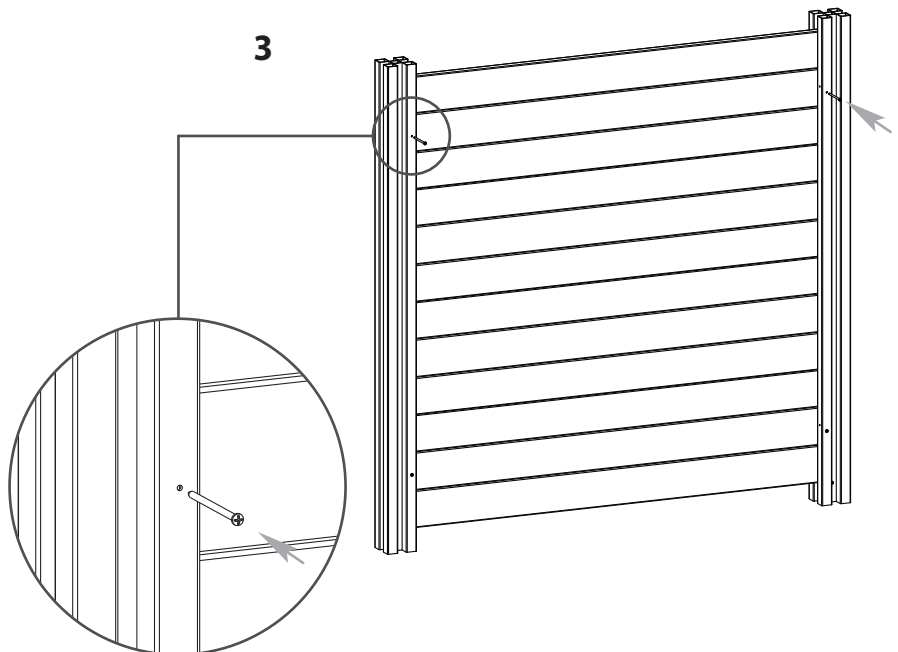


Factory Installed Screws

2



3



STEP TWO

1

Repeat step 1 through 3 for the second panel as shown.

2

With a helper move the entire unit to intended position.

3

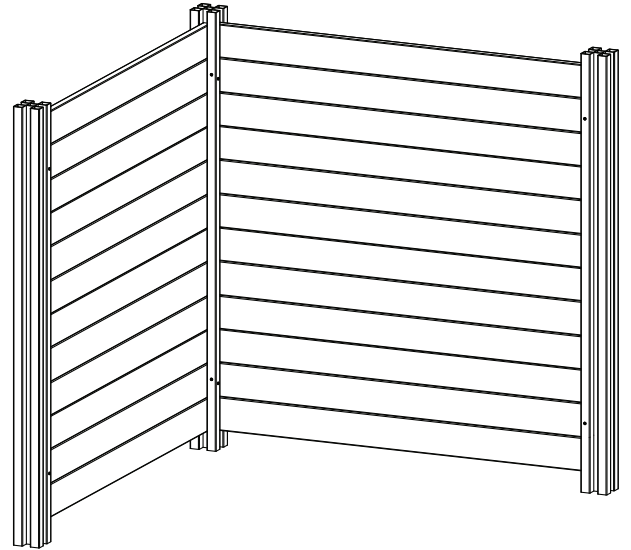
Insert the ground stake with the blade down as illustrated into the groove of the post.

4

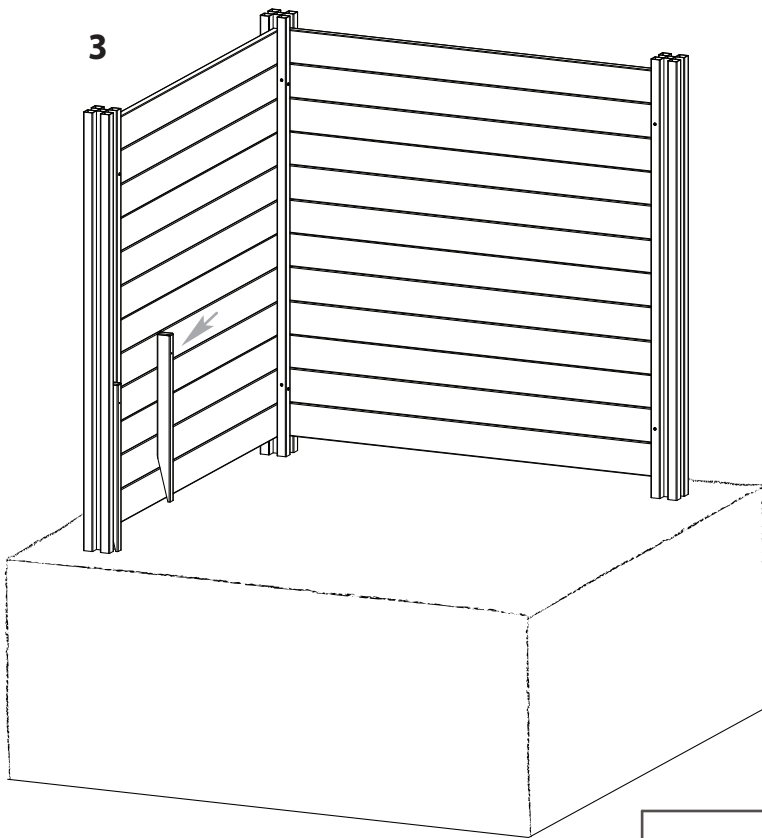
Using a piece of wood and hammer as illustrated, gently tap the stake approximately 12" into the ground.

Tip: If your ground is hard, use your claw hammer to loosen the soil as illustrated and add water

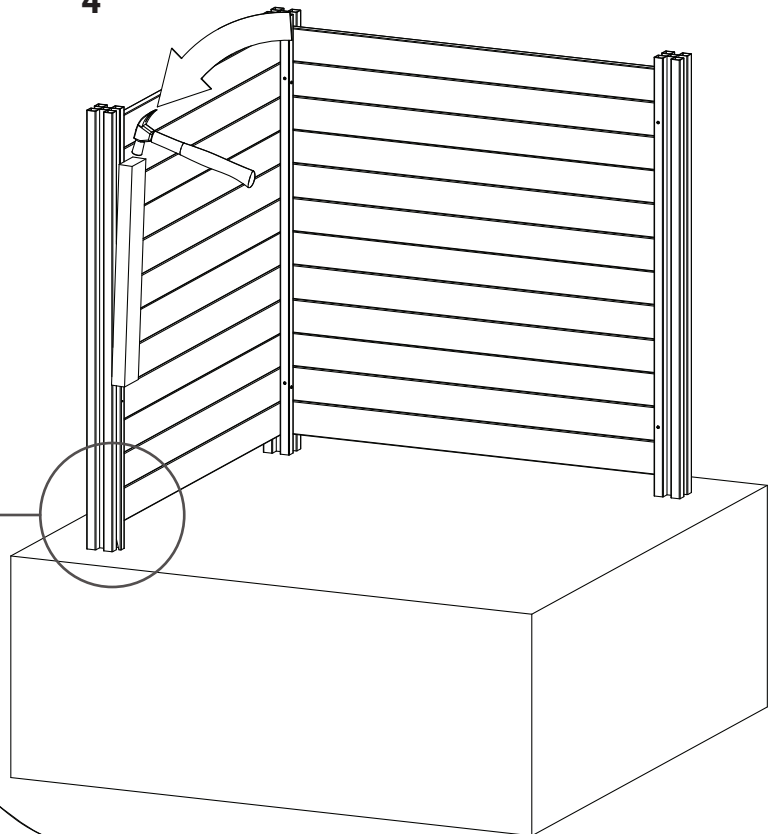
1



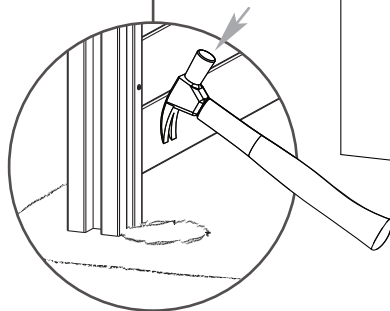
3



4



Tip: If your ground is hard, use your claw hammer to loosen the soil as illustrated and add water.



STEP THREE

1

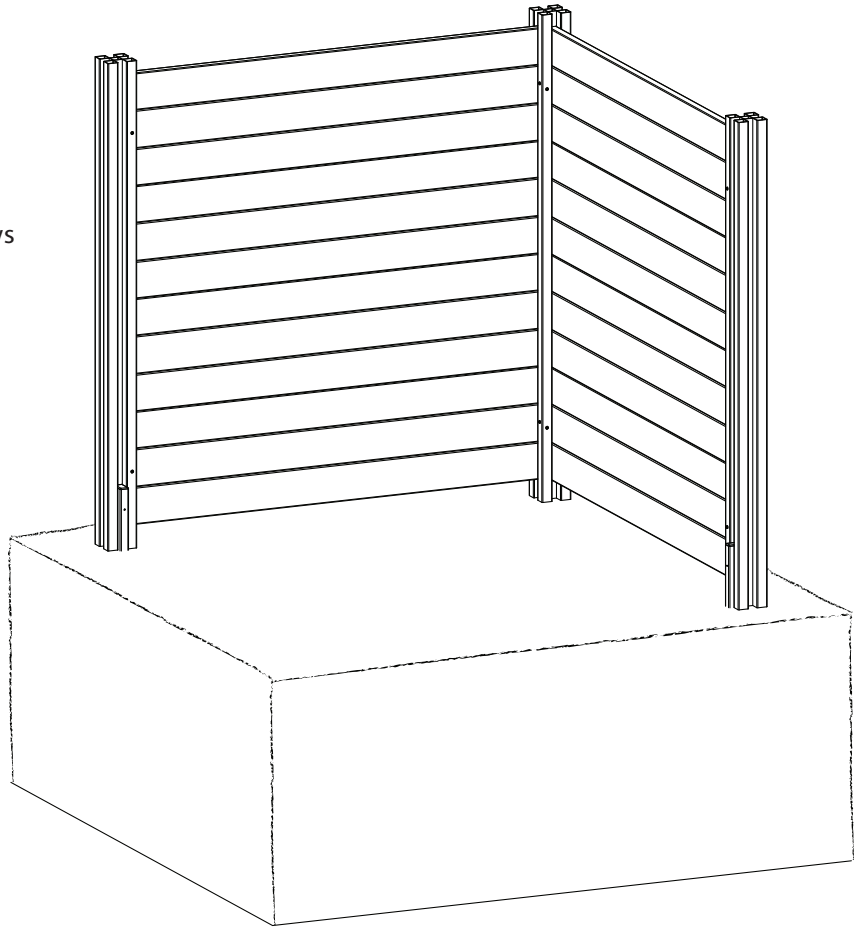
Repeat for other ground stake.

2

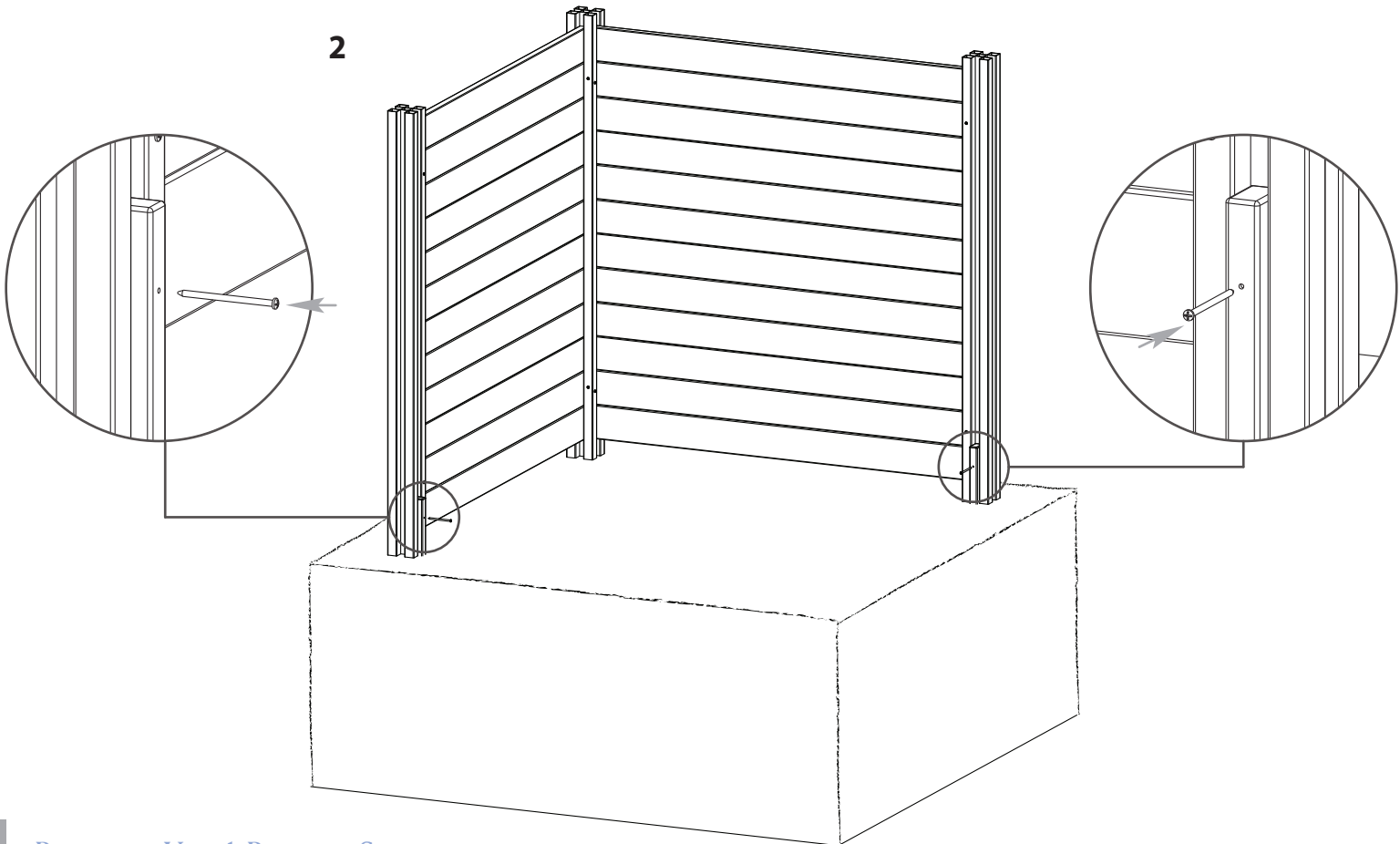
Fasten both ground anchors to the posts using the screws provided through the pre-drilled holes in each stake.



1



2



STEP FOUR

1

Finish the assembly by pushing the post caps down over the top of posts as illustrated.

