

COMFORT HEIGHT® TOILET K-3950

ADA

CSA B651

OBC



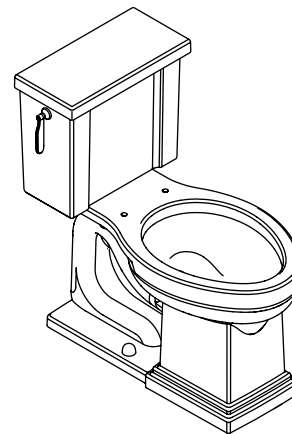
Features

- Vitreous china
- Elongated bowl
- Comfort Height®
- Class Five® flushing system
- Polish chrome trip lever
- Less seat and supply
- 12" (305 mm) rough-in
- 1.28 gpf (4.8 lpf)
- 2-1/8" (54 mm) glazed trapway
- 11-1/2" (292 mm) x 9" (229 mm) water area
- 30-1/4" (768 mm) x 16-5/8" (422 mm) x 31-1/4" (794 mm)

Codes/Standards Applicable

Specified model meets or exceeds the following:

- ADA
- ICC/ANSI A117.1
- CSA B651
- OBC
- ASME A112.19.2/CSA B45.1
- EPA WaterSense®



Colors/Finishes

- 0: White
- Other: Refer to Price Book for additional colors/finishes

Accessories

- 0: White
- CP: Polished Chrome
- Other: Refer to Price Book for additional colors/finishes

Specified Model

Model	Description	Trip Lever	Colors/Finishes	
K-3950	Comfort Height® toilet	left-hand	<input type="checkbox"/> 0	<input type="checkbox"/> Other _____
Recommended Accessories				
K-7637	Angle supply with stop – 3/8" NPT		<input type="checkbox"/> CP	<input type="checkbox"/> Other _____
K-4650	Lustra™ elongated open-front toilet seat - for Accessibility compliance	<input type="checkbox"/> 0		<input type="checkbox"/> Other _____
K-4774	Brevia™ elongated toilet seat	<input type="checkbox"/> 0		<input type="checkbox"/> Other _____

Product Specification

The elongated bowl toilet shall be made of vitreous china. Toilet shall be 30-1/4" (768 mm) in length, 16-5/8" (422 mm) in width, and 31-1/4" (794 mm) in height with a 11-1/2" (292 mm) x 9" (229 mm) water area. Toilet shall have a 12" (305 mm) rough-in, and 2-1/8" (54 mm) glazed trapway. Toilet shall be 1.28 gpf (4.8 lpf) with Class Five® flushing system. Toilet shall include polish chrome trip lever. Toilet shall be less seat and supply. Toilet shall be Kohler Model K-3950-_____.

TRESHAM™

Optional Accessories

K-9375 Left-hand trip lever (non-CP)

Other _____

Technical Information

Fixture:	
Configuration	two-piece, elongated
Water per flush	1.28 gpf (4.8 lpf)
Passageway	2-1/8" (54 mm)
Water area	11-1/2" (292 mm) x 9" (229 mm)
Water depth from rim	5-3/8" (137 mm)
Seat post hole centers	5-1/2" (140 mm)

Included components:

Bowl	K-4799
Tank	K-4899
Tank cover	1146775
Trip lever	1161319
Tank accessory pack	84581
Bolt cap accessory pack	1013092

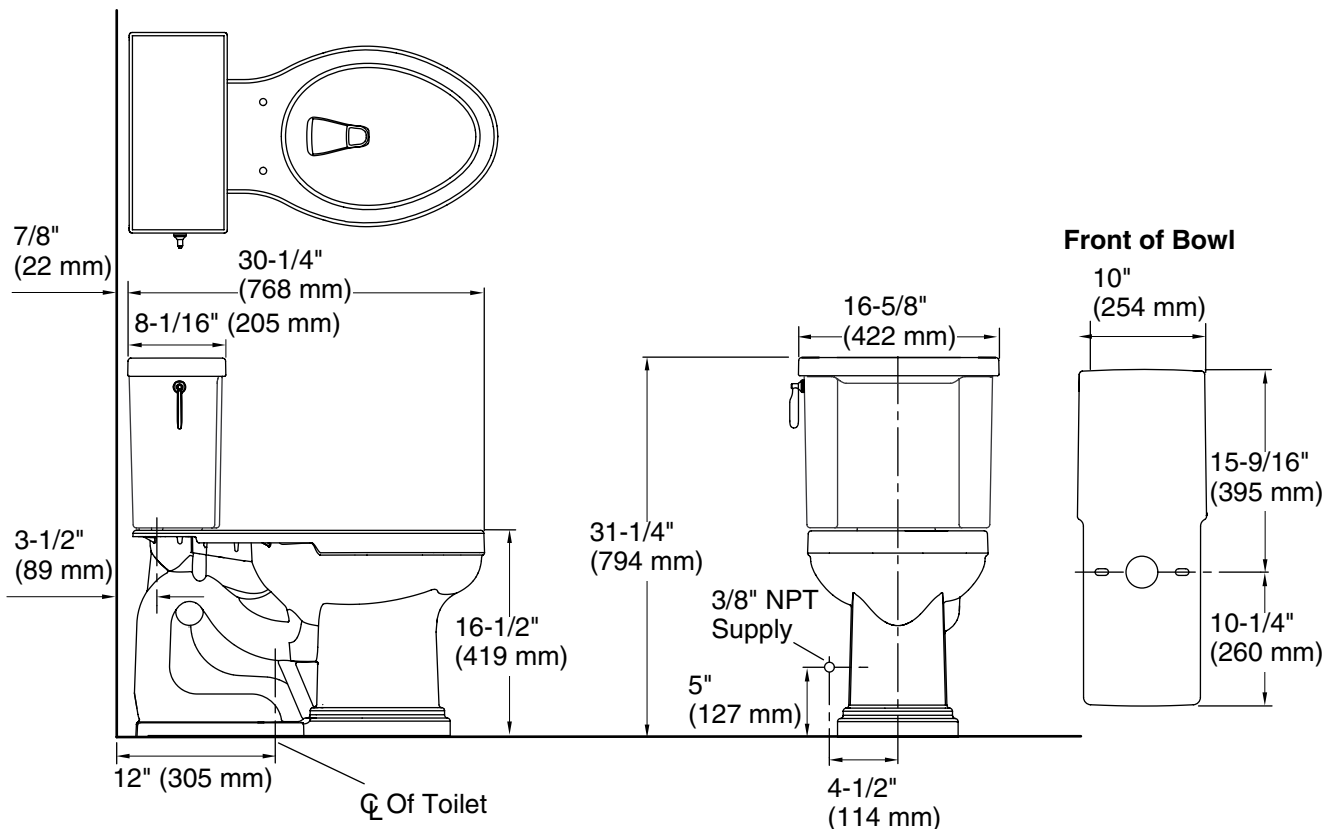
Installation Notes

Install this product according to the installation guide.

Will comply with the American Disabilities Act (**ADA**) when installed per the requirements of the Accessibility Guidelines, Section 604 Water Closets, of the Act, which include the installation of an open front seat.

Will comply with **CSA B651** when installed per Clause 4.3.6 of the standard.

Will comply with **OBC** Barrier Free requirements when installed per Clause 3.8.3.8 and 3.8.3.9.



Product Diagram