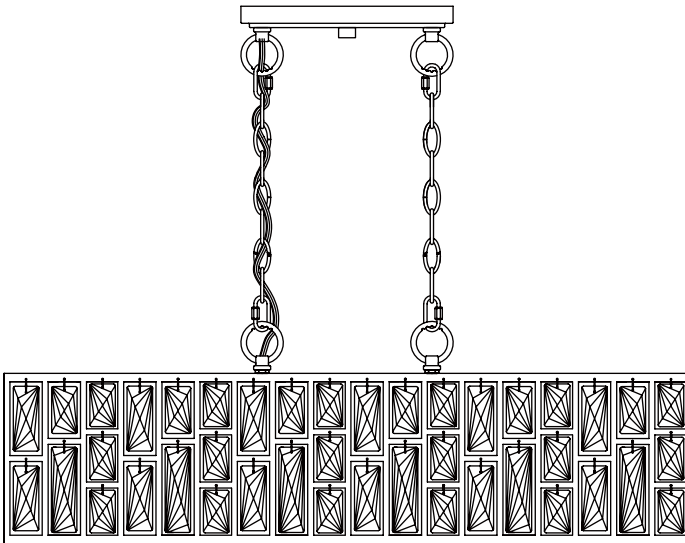


USE AND CARE GUIDE

6-LIGHT OVAL CHANDELIER



Questions, problems, missing parts? Before returning to the store,
call Home Decorators Collection Customer Service
8 a.m. - 7 p.m., EST, Monday – Friday, 9 a.m. - 6 p.m., EST, Saturday

1-800-986-3460

WWW.HOMEDEPOT.COM/HOMEDECORATORS

THANK YOU




We appreciate the trust and confidence you have placed in Home Decorators Collection through the purchase of this 6-light oval chandelier. We strive to continually create quality products designed to enhance your home. Visit us online to see our full line of products available for your home improvement needs. Thank you for choosing Home Decorators Collection!

Table of Contents

Table of Contents.....	2	Hardware Included.....	3
Safety Information.....	2	Package Contents.....	4
Warranty.....	2	Installation.....	5
Pre-Installation.....	3	Care & Cleaning.....	7
Planning Installation	3	Troubleshooting.....	7
Tools Required.....	3		

Safety Information

- Read all instructions before assembling and installing.
- Consult a qualified electrician for installation of this fixture.
- If you have any non-electrical questions about this fixture, please contact our Customer Service Team at 1-800-986-3460 or visit www.homedepot.com/homedecorators.
- Please reference your SKU 1001 xxx xxx or (UPC 773546292948).
- Keep your receipt and these instructions for proof of purchase.

	CAUTION: Before starting installation of this fixture or removal of a previous fixture, disconnect the power by turning off the circuit breaker or by removing the fuse at the fuse box.
	IMPORTANT: Do not install this lighting system in damp or wet locations.
	IMPORTANT: Inspect the wire insulation for any cuts, abrasions, or exposed copper that may have occurred during shipping. If there is a defect in the wire, do not continue the assembly process. Please call our Customer Service Team at 1-800-986-3460.

Warranty

LIMITED WARRANTY

WHAT IS COVERED

The manufacturer warrants this lighting fixture to be free from defects in materials and workmanship for a period of five (5) years from date of purchase. This warranty applies only to the original consumer purchaser and only to products used in normal use and service. If this product is found to be defective, the manufacturer's only obligation, and your exclusive remedy, is the repair or replacement of the product at the manufacturer's discretion, provided that the product has not been damaged through misuse, abuse, accident, modification, alteration, neglect, or mishandling.

WHAT IS NOT COVERED

This warranty shall not apply to any product that is found to have been improperly installed, set-up, or used in any way not in accordance with the instructions supplied with the product. This warranty shall not apply to a failure of the product as a result of an accident, misuse, abuse, negligence, alteration, faulty installation, or any other failure not relating to faulty material or workmanship. This warranty shall not apply to the finish on any portion of the product, such as surface and/or weathering, as this is considered normal wear and tear. The manufacturer does not warrant and specially disclaims any warranty, whether express or implied, of fitness for a particular purpose, other than the warranty contained herein. The manufacturer specifically disclaims any liability and shall not be liable for any consequential or incidental loss or damage, including but not limited to any labor/expense costs involved in the replacement or repair of said product.

Contact Customer Care at 1-800-986-3460 or visit www.homedepot.com/homedecorators.

Pre-Installation

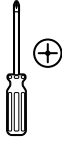
PLANNING INSTALLATION

Read all instructions before assembly and installation. To avoid damaging this product, assemble it on a soft, non-abrasive surface, such as carpet or cardboard. Inspect each part for defects that may have occurred during shipping. Keep your receipt and these instructions for proof of purchase.

TOOLS REQUIRED



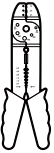
Safety goggles



Phillips screwdriver



Flathead screwdriver



Wire strippers



Wire cutters



Ladder

HARDWARE INCLUDED



NOTE: Hardware not shown to actual size.



AA



BB



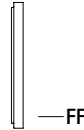
CC



DD



EE



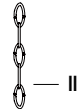
FF



GG



HH



II



JJ

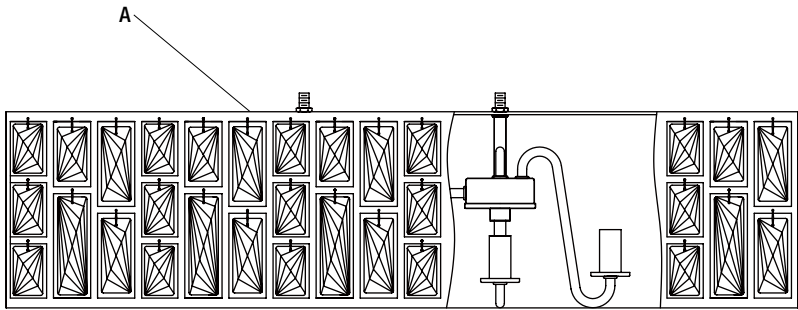


KK

Part	Description	Quantity
AA	Wire nut	3
BB	Outlet box screw	2
CC	Ground screw	1
DD	Crossbar	1
EE	Nipple (preassembled)	1
FF	Canopy	1
GG	Hex nut (preassembled)	3
HH	Fixture loop	4
II	Fixture chain	2
JJ	Chain link	4
KK	Finial	1

Pre-Installation (continued)

PACKAGE CONTENTS



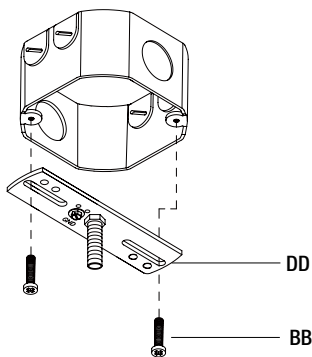
Part	Description	Quantity
A	Fixture body	1

Installation

1 Installing the crossbar

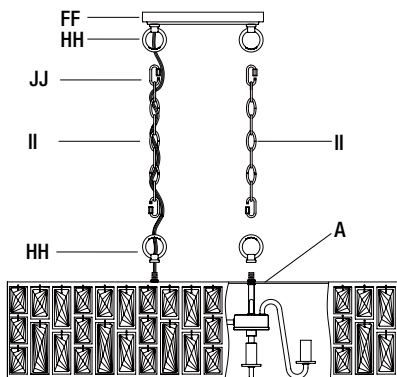
WARNING: Turn off the power at the main fuse box.

- Carefully unpack the fixture. Lay out all the parts on a clean surface.
- Secure the crossbar (DD) to the outlet box (not included) with the outlet box screws (BB). Tighten until snug.



2 Attaching the fixture chain

- Adjust the fixture chain (II) to the desired length by moving the links if needed. You may need to use pliers (not included) to open the chain links (JJ). If so, put a cloth over the chain to protect the finish from the pliers.
- Connect the fixture chain (II) to the fixture loop (HH) on the top of the fixture body (A) and the fixture loop (HH) on the bottom of the canopy (FF) using the chain links (JJ).
- Pull the power cord up through the fixture chain (II), and the canopy (FF).



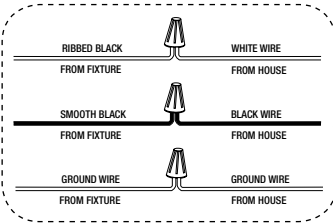
Installation (continued)

3 Making the electrical connections

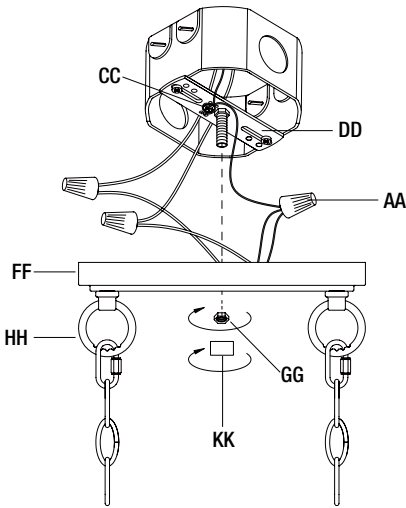


NOTE: Always use wire nuts (AA) or marrettes (included) to connect wires, and push all excess wires and connections back into the outlet box.

- Push all slack fixture wire through the fixture loop (HH) and into the outlet box. Trim the excess fixture wire, leaving a minimum of 6 in. hanging out of the outlet box.
- Connect the ground wire from the branch circuit to the ground screw (CC) on the crossbar (DD).
- Connect the pendant cable as follows:

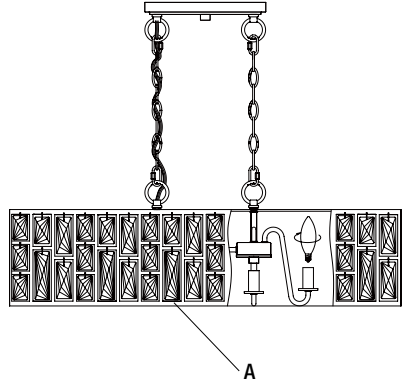


- Attach the canopy (FF) to the outlet box, and secure it with the hex nut (GG) and finial (KK).



4 Installing the bulbs

- Install six 60W max. B10 bulbs (not included) in each socket of the fixture body (A).



Care and Cleaning

- Clean the light fixture carefully with a soft, dry cloth. Do not use any cleaners with chemicals, solvents, or harsh abrasives.

Troubleshooting

Problem	Possible Cause	Solution
□ The bulb will not light.	□ The bulb is burned out.	□ Replace the light bulb.
	□ The power is off.	□ Ensure that the power supply is turned on.
	□ The circuit breaker is off.	□ Ensure that the circuit breaker is set to the ON position.
□ The fuse blows or the circuit breaker trips when the light is turned on.	□ There are too many items on one circuit.	□ Unplug the other items on the circuit. □ Contact a qualified electrician or call the Customer Service Team at 1-800-986-3460.

HOME DECORATORS COLLECTION

Questions, problems, missing parts? Before returning to the store,
call Home Decorators Collection Customer Service
8 a.m. - 7 p.m., EST, Monday – Friday, 9 a.m. - 6 p.m., EST, Saturday

1-800-986-3460

WWW.HOMEDEPOT.COM/HOMEDECORATORS

Retain this manual for future use.