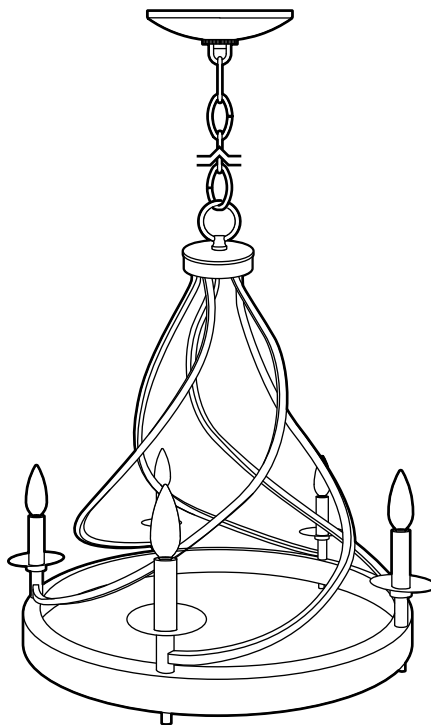


HOME
DECORATORS
COLLECTION

Item # 1002427069
Model # 7928HDC

USE AND CARE GUIDE

5-LIGHT GILDED PEWTER CHANDELIER



Questions, problems, missing parts? Before returning to the store,
call Home Decorators Collection Customer Service
8 a.m. – 7 p.m., EST, Monday – Friday, 9 a.m. – 6 p.m., EST, Saturday

1-800-986-3460

HOMEDEPOT.COM/HOMEDECORATORS

THANK YOU

We appreciate the trust and confidence you have placed in Home Decorators Collection through the purchase of this light fixture. We strive to continually create quality products designed to enhance your home. Visit us online to see our full line of products available for your home improvement needs. Thank you for choosing Home Decorators Collection!

Table of Contents

Table of Contents.....	2	Hardware Included.....	3
Safety Information.....	2	Package Contents	4
Warranty	2	Installation	5
Pre-installation	3	Care and Maintenance	7
Planning Installation	3	Troubleshooting.....	7
Parts Required	3		
Tools Required	3		

Safety Information

Read and understand this entire manual before you attempt to assemble, install, or operate this product.



WARNING: Read instructions carefully and turn off the electricity at the main circuit breaker panel before you begin this installation.



WARNING: If any special control devices are used with this fixture, follow the instructions carefully to assure full compliance with N.E.C. requirements. If there are any questions, contact a qualified electrical contractor.



WARNING: Risk of fire. 90°C supply conductors. Consult a qualified electrician to ensure the correct branch circuit conductor.



CAUTION: All glass is fragile. Use care when handling glass shades and bulbs.

Warranty

The manufacturer warrants this lighting fixture to be free from defects in materials and workmanship for a period of three (3) years from the date of purchase. This warranty applies only to the original consumer purchaser and only to products used in normal use and service. If this product is found to be defective, the manufacturer's only obligation, and your exclusive remedy, is the repair or replacement of the product at the manufacturer's discretion, provided that the product has not been damaged through misuse, abuse, accident, modifications, alterations, neglect, or mishandling. This warranty shall not apply to any product that is found to have been improperly installed, set-up, or used in any way not in accordance with the instructions supplied with the product. This warranty shall not apply to a failure of material or workmanship. This warranty shall not apply to the finish on any portion of the product, such as surface and/or weathering, as this is considered normal wear and tear. The manufacturer does not warrant and specially disclaims any warranty, whether express or implied, of fitness for a particular purpose, other than the warranty contained herein. The manufacturer specifically disclaims any liability and shall not be liable for any consequential or incidental loss or damage, including but not limited to any labor / expense costs involved in the replacement or repair of said product.

Contact the Customer Service Team at 1-800-986-3460 or visit www.HomeDepot.com/HomeDecorators.

Pre-installation

PLANNING INSTALLATION

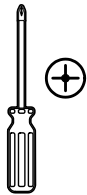
Before beginning installation, make sure all parts are included using the Hardware Included and Package Contents sections. If any part is missing or damaged, do not attempt to assemble, install, or operate the product.

To avoid damaging this product, place it on a soft, non-abrasive surface, such as carpet or cardboard.

PARTS REQUIRED

This fixture requires five 60 Watt max. candelabra-base bulbs (not included).

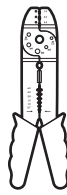
TOOLS REQUIRED



Phillips screwdriver



Pliers



Wire stripper



Safety glasses



Electrical tape

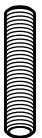


Ladder

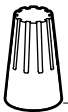
HARDWARE INCLUDED



NOTE: Hardware not shown to actual size.



AA



BB



CC



DD



EE



FF



GG

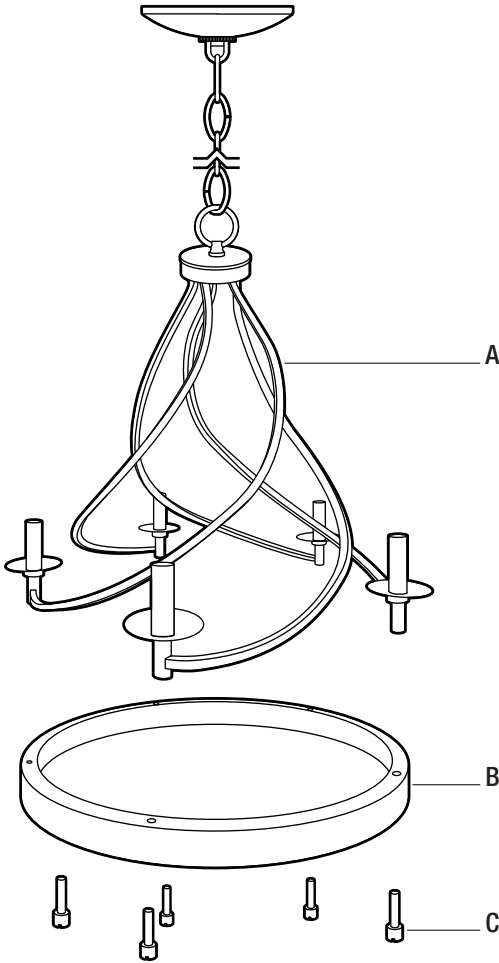


HH

Part	Description	Quantity
AA	Nipple, 1/8 IP	1
BB	Wire nut	3
CC	Mounting strap, 1/8 IP	1
DD	Hex nut, 1/8 IP	2
EE	Screw collar	1
FF	Chain loop, 1/8 IP	1
GG	Chain	1
HH	Canopy	1

Pre-installation (continued)

PACKAGE CONTENTS

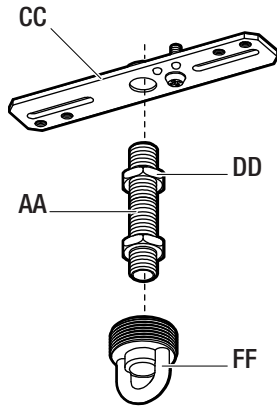


Part	Description	Quantity
A	Fixture	1
B	Fixture Base	1
C	Cylinder screws	5

Installation

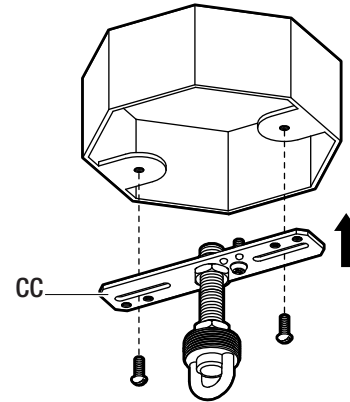
1 Preparing the mounting strap

- Screw the nipple (AA) onto the mounting strap (CC) and secure to the mounting strap (CC) using the hex nuts (DD). Then screw the chain loop (FF) onto the end of the nipple (AA).



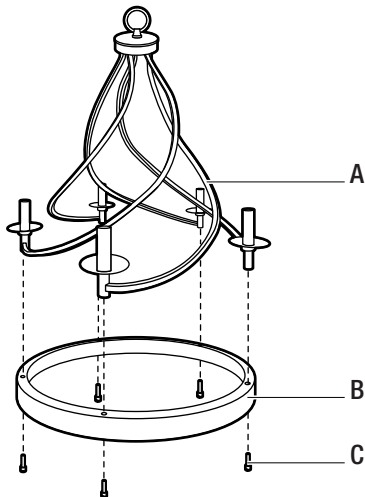
2 Installing the mounting strap

- Install the mounting strap (CC) to the junction box using the junction box screws (not provided).



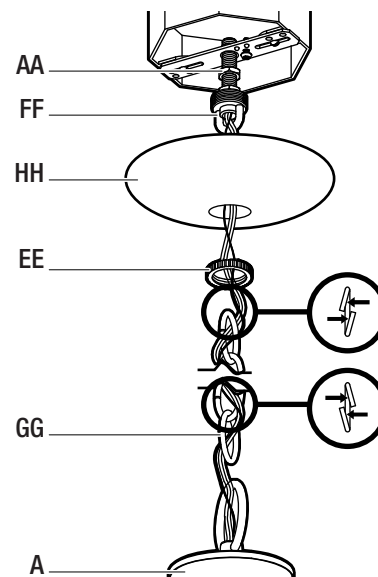
3 Attaching the fixture base

- Attach the fixture base (B) to the bottom of the fixture (A) using the cylinder nuts (C).



4 Preparing the wires and chain

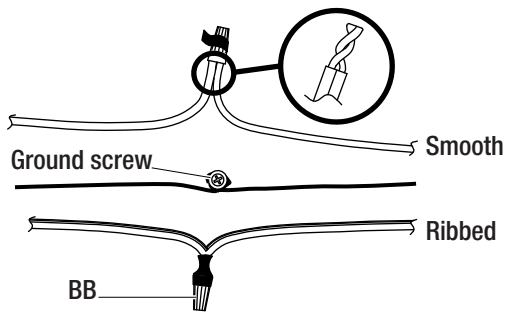
- (Optional) Shorten the chain length and wires to your desired hanging length.
- Weave the wires through the chain (GG), screw collar (EE), and canopy (HH). Open the chain link at the end of the chain (GG) and attach it to the chain loop (FF). Close the chain link. Then continue to thread the wires up through the chain loop (FF) and nipple (AA).



Installation (continued)

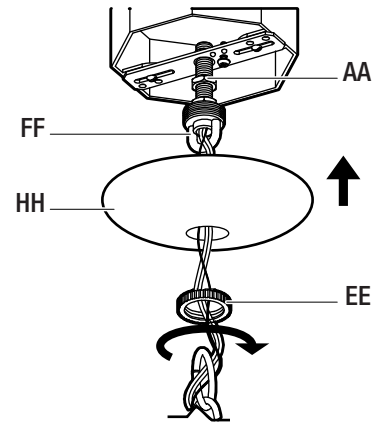
5 Connecting the wires

- Strip 3/8 in. of insulation from the wire ends of the fixture.
- Using wire nuts (BB), connect the RIBBED fixture wire to the white (neutral) supply wire from the junction box. Then connect the SMOOTH fixture wire to the black (live) supply wire from the junction box.
- Connect the copper (ground) wire from the junction box and the copper tinned (ground) wire from the fixture to the ground screw on the mounting strap (CC). Tighten the ground screw to secure both ground wires to the mounting strap (CC).
- Wrap electrical tape (not included) around the wire nuts (BB), and ensure they are secure. Then push all wire connections into the outlet box.



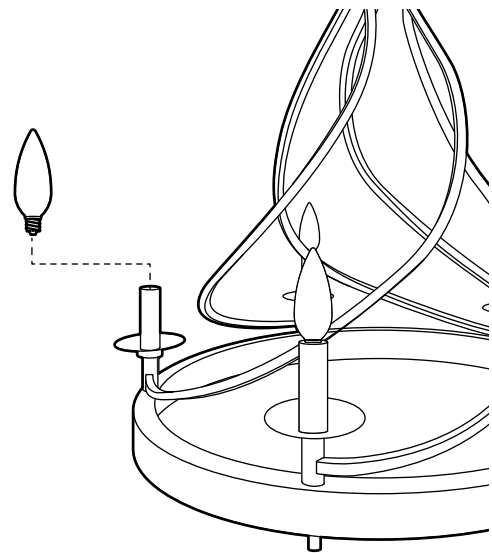
6 Installing the fixture to the ceiling

- Place the fixture canopy (HH) over the chain loop (FF) and nipple (AA) and secure it to the ceiling by tightening the screw collar (EE).



7 Installing the bulbs

- Screw five bulbs (not included) into the fixture sockets. This fixture uses 60-watt MAX, candelabra-base, SBCFL or SBLED bulbs. Ensure that you do not exceed the recommended wattage.



Care and Maintenance



WARNING: Before you perform any cleaning or maintenance work, turn off the electricity at the main circuit breaker panel.

- Wipe the fixture with a damp, soft cloth. Do not use any abrasive cleaners or cleaners that contain alcohol.
- When replacing bulbs, use 60-watt MAX, candelabra-base, SBCFL or SBLED bulbs.

Troubleshooting

Problem	Possible Cause	Solution
The light will not turn on.	A bulb is burned out.	Replace the bulb.
	The power is off	Ensure the power supply is on.
	There is a faulty wire connection.	Check the wiring. Contact a qualified and licensed electrician if you are not comfortable troubleshooting wiring problems.
	There is a faulty switch.	Test or replace the switch.
The fuse blows or the circuit breaker trips when the light is turned on.	There are crossed wires or the power wire is grounding out.	Discontinue use of the fixture. Check the wire connections or contact a qualified electrician.

HOME DECORATORS COLLECTION

Questions, problems, missing parts? Before returning to the store,
call Home Decorators Collection Customer Service
8 a.m. – 7 p.m., EST, Monday – Friday, 9 a.m. – 6 p.m., EST, Saturday

1-800-986-3460

[HOMEDEPOT.COM/HOMEDECORATORS](https://www.homedepot.com/homedecorators)

Retain this manual for future use.