

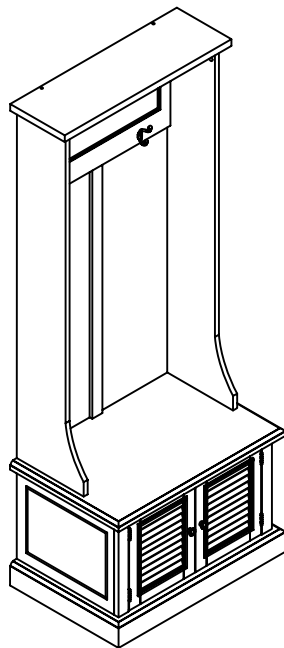
HOME DECORATORS COLLECTION

SK17012 SHUTTER HALL TREE SINGLE 74"Hx29.5"Wx19"D

INV#11574

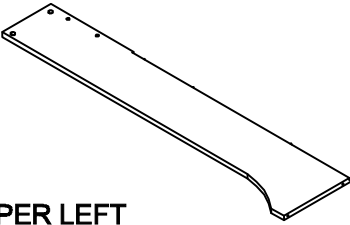
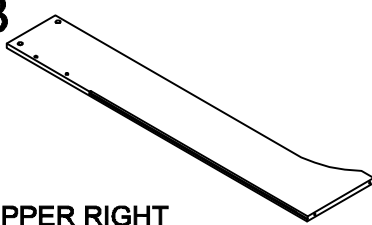
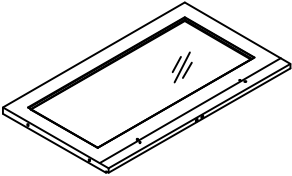
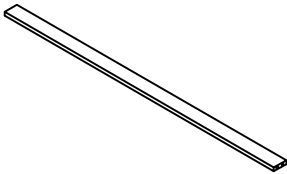
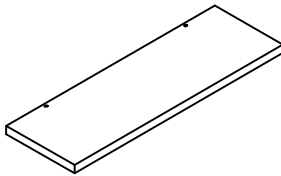
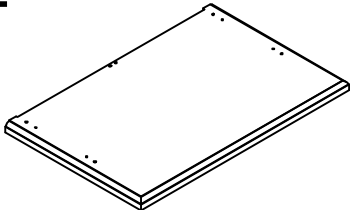
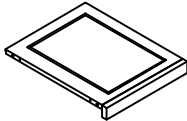
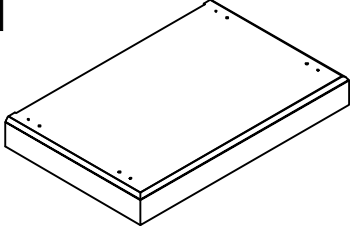
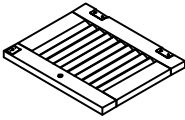
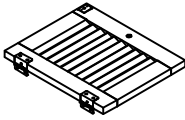
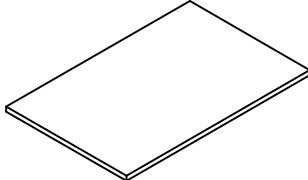
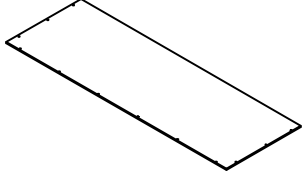
ASSEMBLY INSTRUCTIONS

Made In China

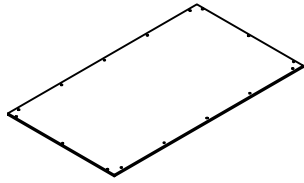


Thank you for purchasing this quality product. Be sure to check all packing material carefully for small parts, which may have come loose inside the carton during shipment. Count all parts and material hardware, then compare with parts list to be sure all parts are present. If any parts are missing or damaged, phone, fax, or mail to our Customer Service Department for efficient and speedy service. Please indicate the model number and code letter of part(s) needed.

IMPORTANT NOTE: Follow instructions listed below in proper sequence as numbered to assure fast, easy and correct assembly.

PARTS LIST		
A 	B 	C 
UPPER LEFT SIDE PANEL-1PC	UPPER RIGHT SIDE PANEL-1PC	TOP MIRROR FRAME-1PC
D 	E 	F 
BACK SUPPORT SLAT-1PC	TOP PANEL-1PC	FIXED SHELF-1PC
G 	H 	I 
LOWER SIDE PANEL-2PCS	BOTTOM PANEL-1PC	LEFT DOOR-1PC
J 	K 	L 
RIGHT DOOR-1PC	ADJUSTABLE SHELF-1PC	UPPER BACK PANEL-2PCS

M



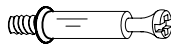
LOWER BACK PANEL-1PC

a



WOOD DOWEL-27PCS

b



CAM LOCK BOLT-12PCS

c



CAM LOCK-12PCS

d



5/8"L ROUND
HEAD SCREW-47PCS

e



SHORT PLASTIC COVER-8PCS

f



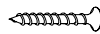
KNOB-2PCS

g



KNOB BOLT-2PCS

h



1-1/2" FLAT
HEAD SCREW-6PCS

i



MAGNET-1PC

j



1/2"L FLAT
HEAD SCREW-12PCS

k



LONG PLASTIC COVER-4PCS

l



DOUBLE HOOK-2PCS

m



METAL PLATE-5PCS

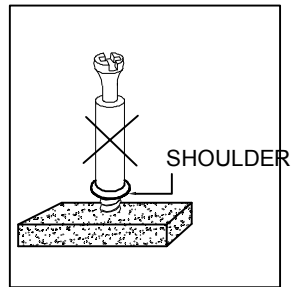
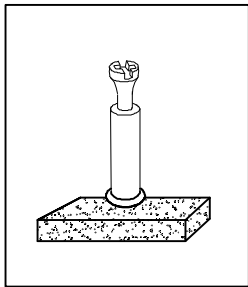
n



SHELF PIN-4PCS

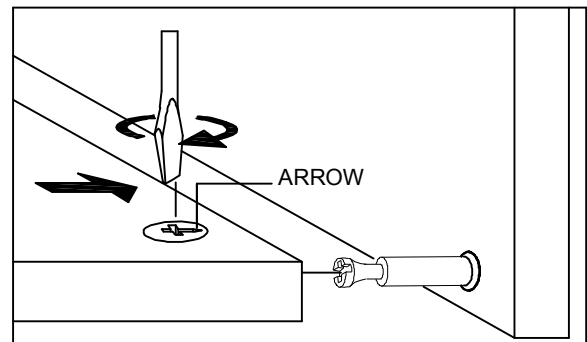
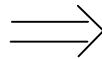
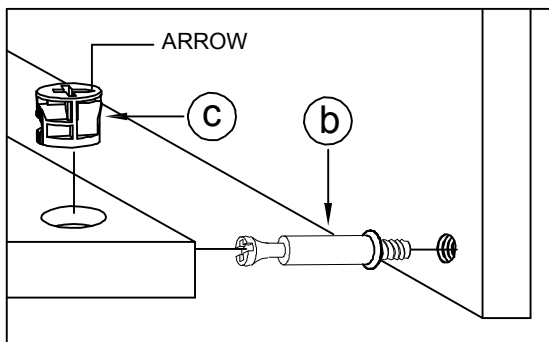
NOTE:THE SURFACE WITH THE STICKER IS THE BACK SIDE

NOTE: • UPON OPENING, THOROUGHLY CLEAN ALL WOOD SURFACES TO REMOVE DUST AND DIRT THAT MAY HAVE SETTLED ONTO THE FINISH DURING SHIPMENT. IN ORDER TO PREVENT DAMAGE DURING ASSEMBLY. PLEASE ASSEMBLE THIS ITEM WITH AT LEAST TWO PEOPLE.



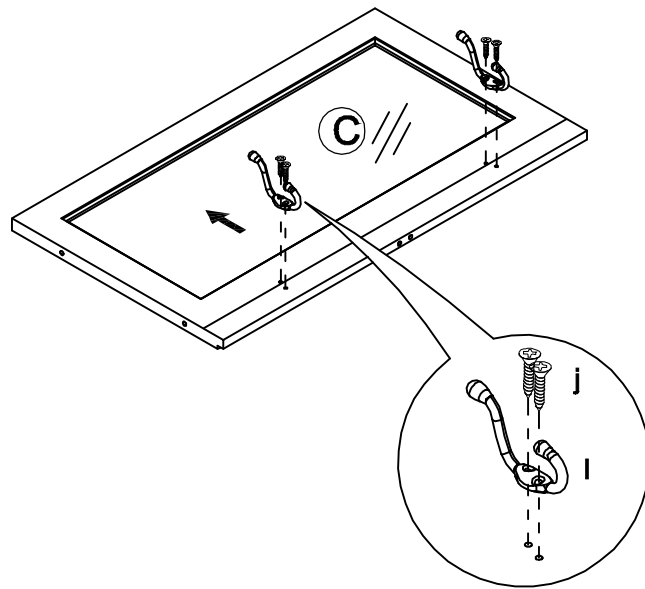
NOTE: TURN THE CAM-BOLT SCREWS UNTIL THEY ARE TIGHT, THE SHOULDER SHOULD BE AGAINST THE SURFACE OF THE PART.

HOW TO USE THE CAM-TOOL



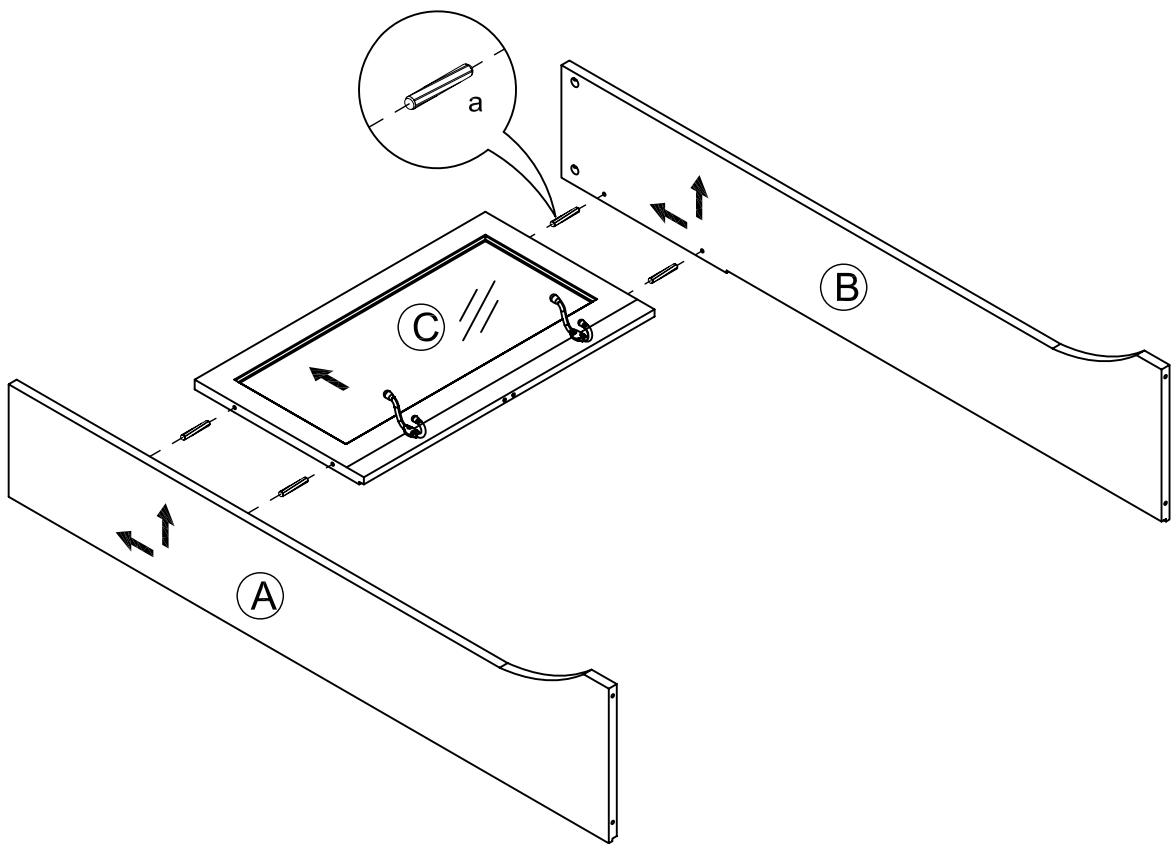
NOTE: • THE ARROWS ON THE HIDDEN CAM-LOCKS SHOULD POINT TO THE CAM-BOLTS.

FIG 1



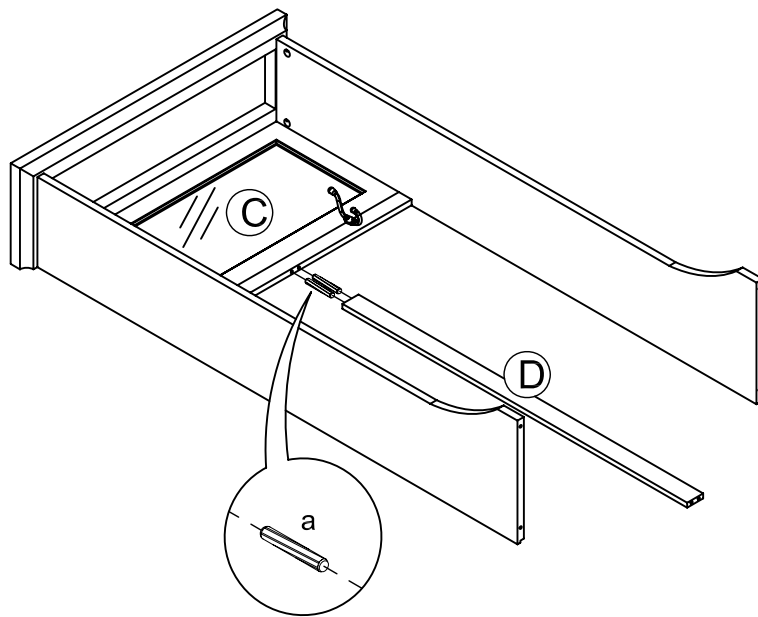
- ATTACH THE DOUBLE HOOK (I) TO THE TOP MIRROR FRAME (C) BY USING THE 1/2" L FLAT HEAD SCREW (j).

FIG 2



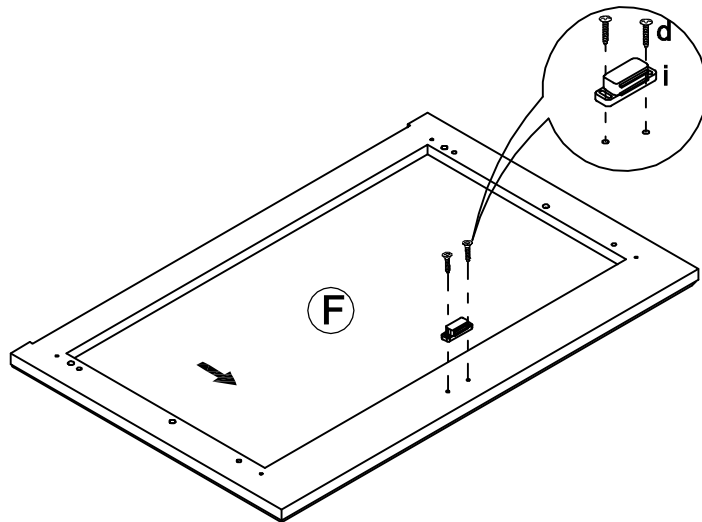
- INTALL THE WOOD DOWEL (a) INTO THE UPPER LEFT SIDE PANEL (A) AND THE UPPER RIGHT SIDE PANEL (B).
- JOIN THE TOP MIRROR FRAME (C) TO THE UPPER LEFT SIDE PANEL (A) AND THE UPPER RIGHT SIDE PANEL (B).

FIG 4



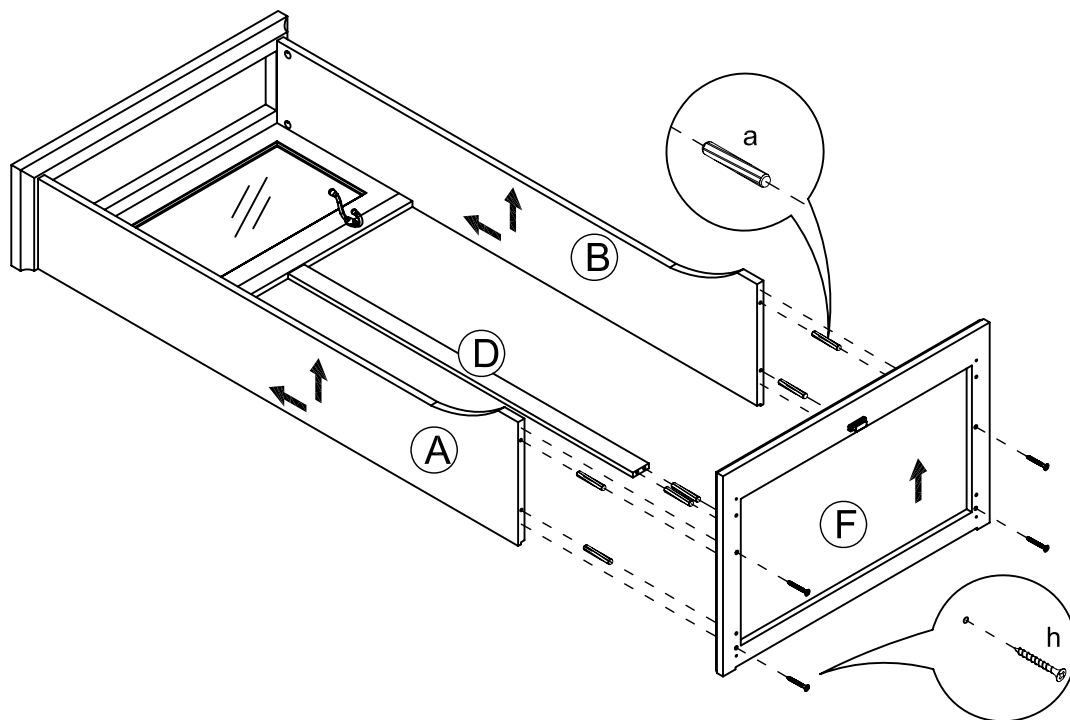
- INSTALL THE WOOD DOWEL (a) INTO THE BACK SUPPORT SLAT (D).
- JOIN THE BACK SUPPORT SLAT (D) TO THE ASSMEBLED PART.

FIG 5



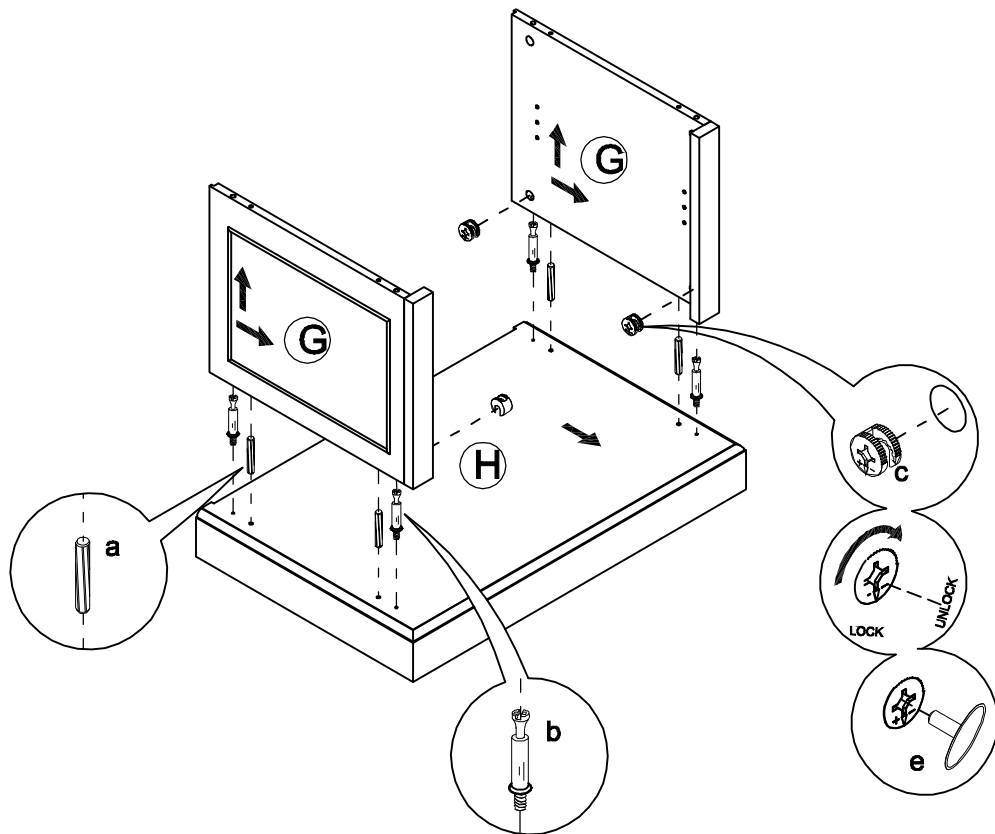
- ATTACH THE MAGNET (i) INTO BOTTOM OF THE FIXED PANEL (F) BY USING THE 5/8" L ROUND HEAD SCREW (d).

FIG 6



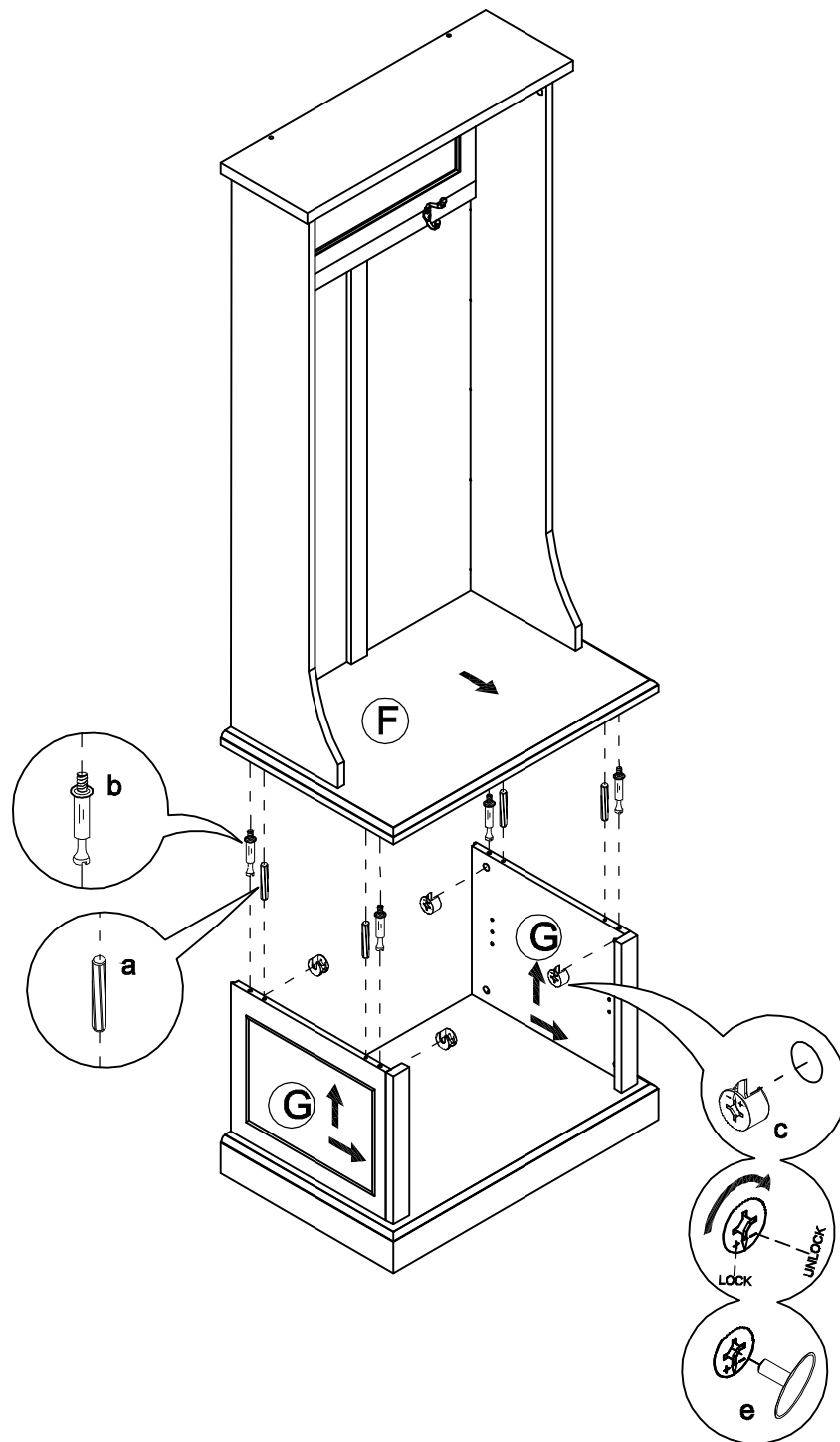
- INSTALL THE WOOD DOWEL (a) INTO TOP OF THE FIXED PANEL (F).
- JOIN THE FIXED PANEL (F) TO THE ASSEMBLED PART BY USING THE WOOD DOWEL (a) FIRST.
- TIGHTEN THE FIXED PANEL (F) TO THE ASSEMBLED PART BY USING THE 1-1/2" L FLAT HEAD SCREW (h) FROM BOTTOM OF PRE-DRILLED HOLES ON THE FIXED PANEL (F).

FIG 7



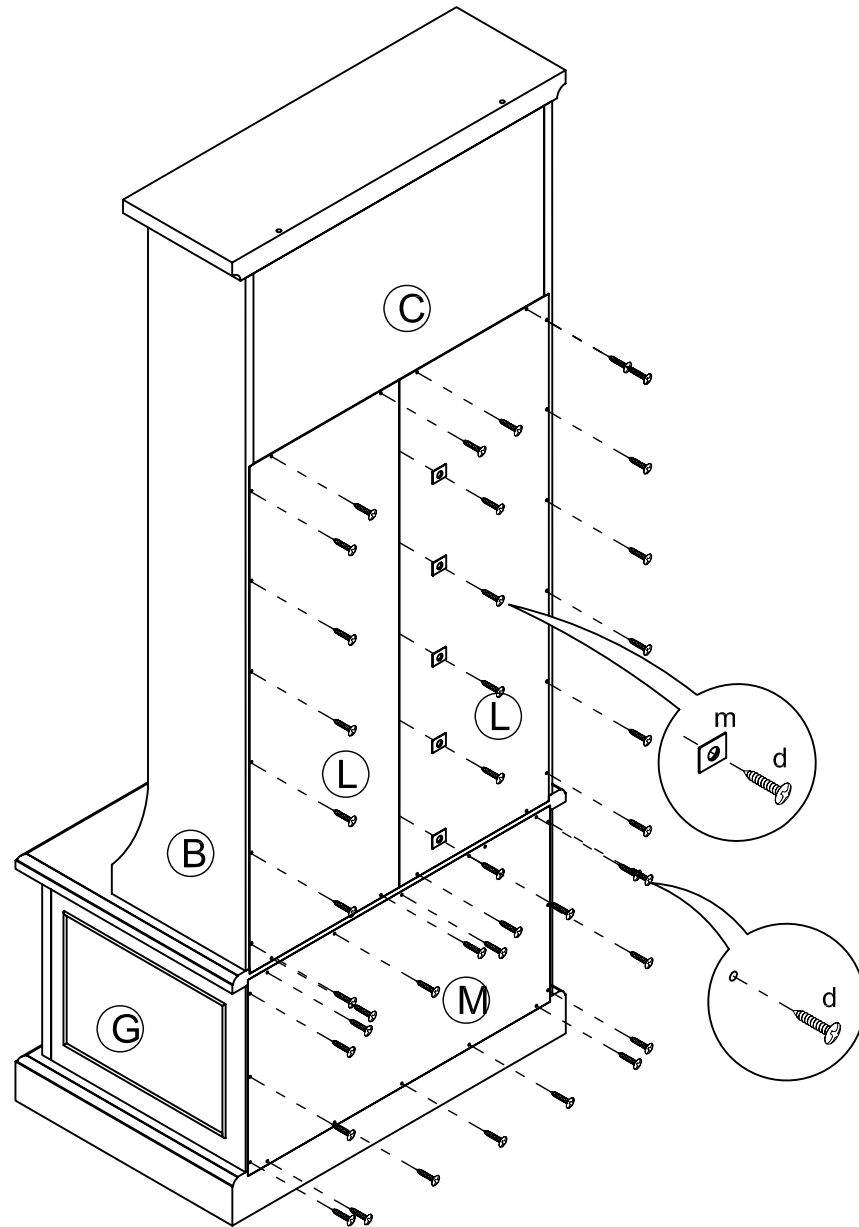
- INSTALL THE WOOD DOWEL (a) AND THE CAM LOCK BOLT (b) INTO THE BOTTOM PANEL (H).
- JOIN THE LOWER SIDE PANEL (G) TO THE BOTTOM PANEL (H) BY USING THE WOOD DOWEL (a) FIRST.
- ONCE JOINED, TIGHTEN CAM LOCK (c) ONTO BOLT (b) USING PRE-DRILLED HOLES.
- COVER CAM HOLES WITH THE SHORT PLASTIC COVER (e).

FIG 8



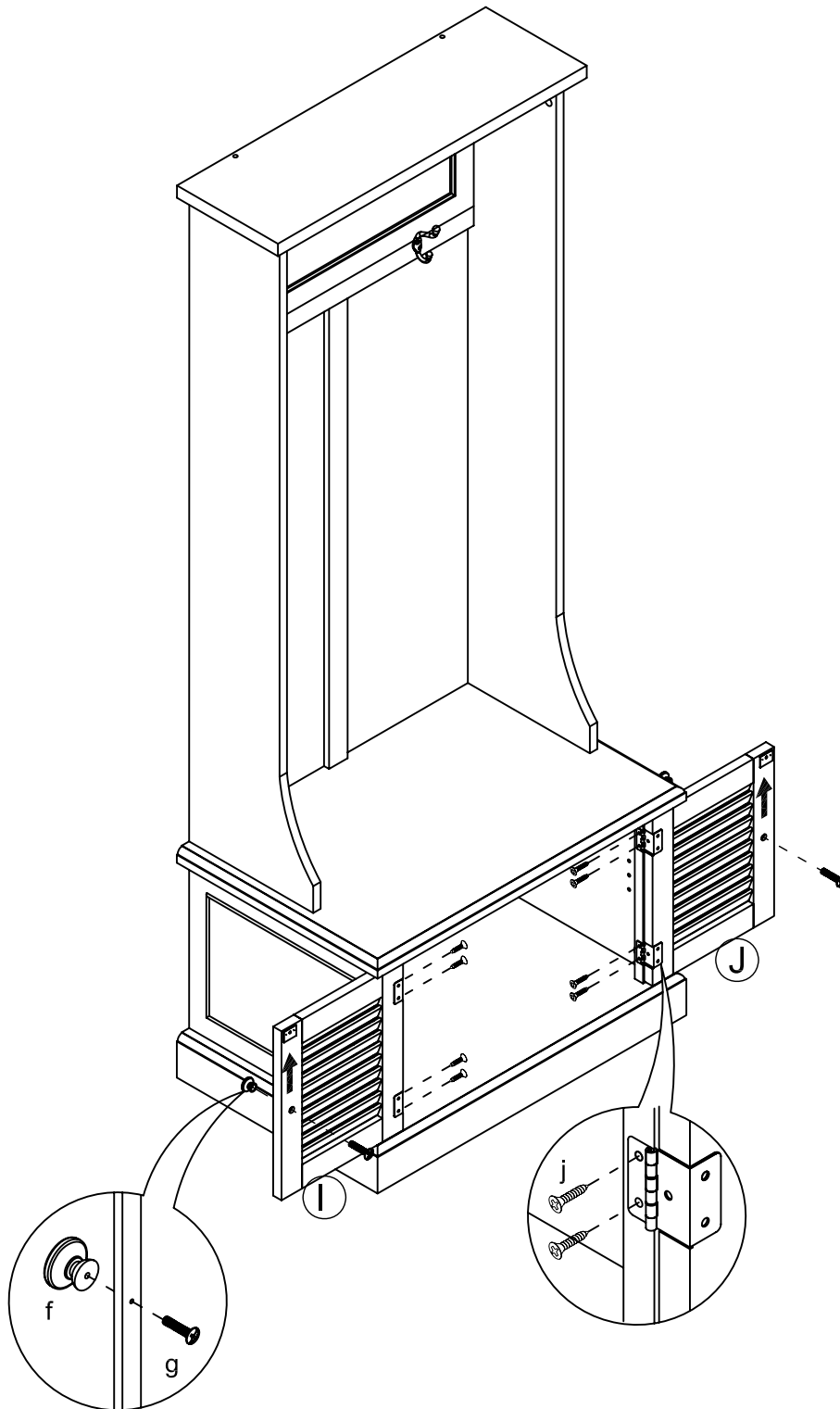
- INSTALL THE WOOD DOWEL (a) AND THE CAM LOCK BOLT (b) INTO BOTTOM OF THE FIXED PANEL (F).
- JOIN TWO ASSEMBLED PARTS BY USING THE WOOD DOWEL (a) FIRST.
- ONCE JOINED, TIGHTEN CAM LOCK (c) ONTO BOLT (b) USING PRE-DRILLED HOLES.
- COVER CAM HOLES WITH THE SHORT PLASTIC COVER (e).

FIG 9



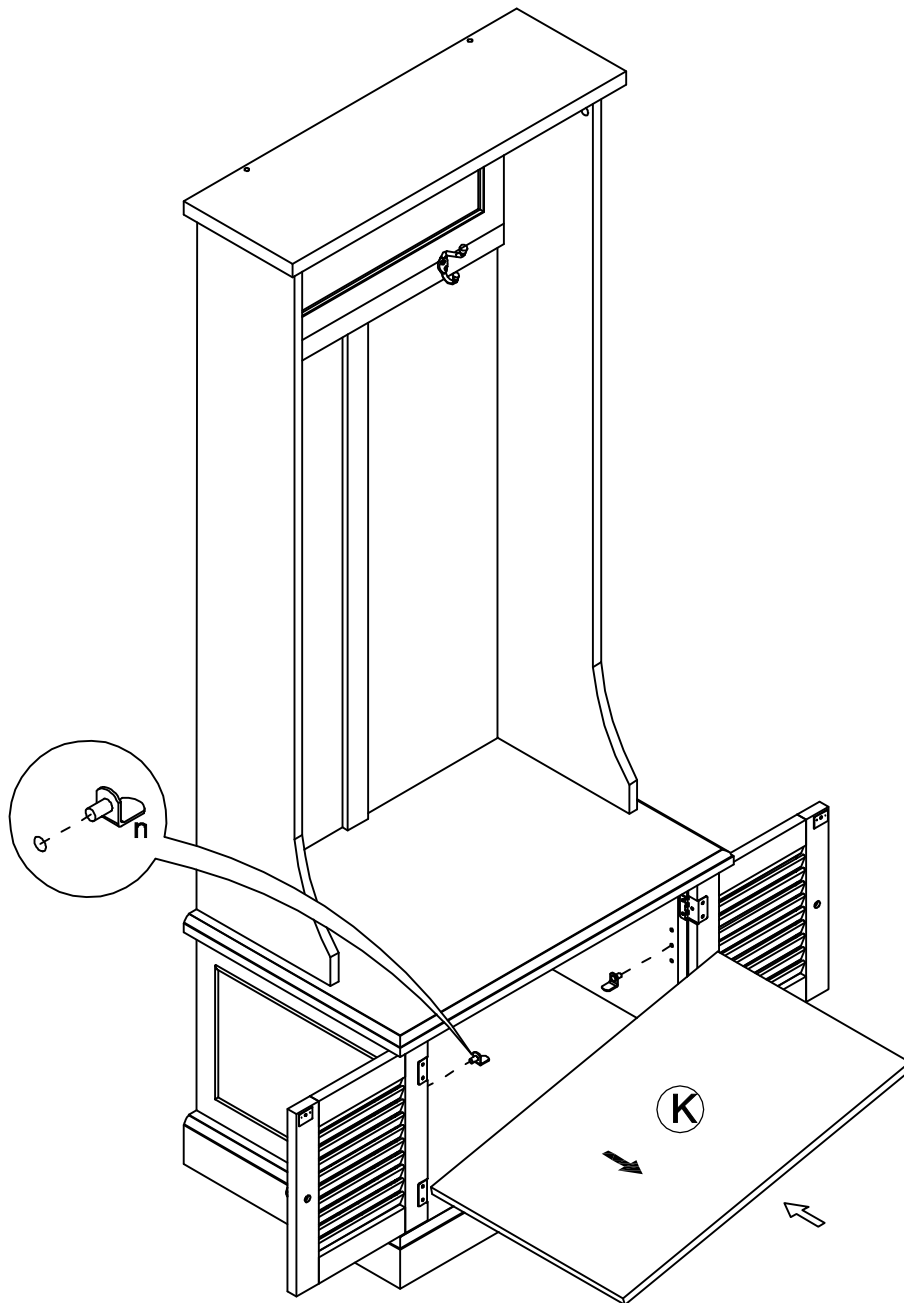
- TIGHTEN THE UPPER BACK PANEL (L) AND THE LOWER BACK PANEL (M) BY USING THE METAL PLATE (m) AND THE 5/8" L ROUND HEAD SCREW (d).

FIG 10



- ATTACH THE LEFT DOOR (I) AND THE RIGHT DOOR (J) INTO THE ASSEMBLED PART BY USING THE 1/2" L FLAT HEAD SCREW (j).
- TIGHTEN THE KNOB (f) TO THE LEFT DOOR (I) AND THE RIGHT DOOR (J) BY USING THE KNOB BOLT (g).

FIG 11



- PLACE THE SHELF PIN (n) IN DESIRED POSITION AND PLACE THE ADJUSTABLE SHELF (K) ABOVE THE SHELF PIN (n).