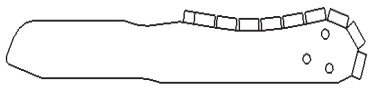
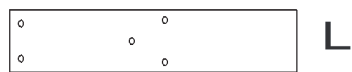


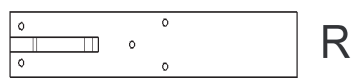
5 **PARTS INCLUDED:**



(A) Seat

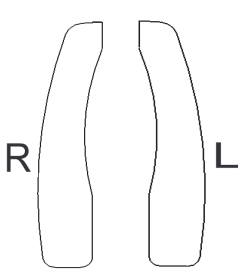


L

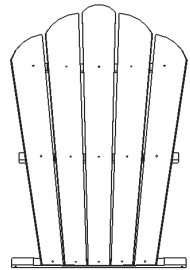


R

(B) Front Leg



(C) Arm Rest



(D) Back Rest



4 PC Barrels



10 PC Nuts



10 PC Iron washer



10 PC - Long Machine Thread (6 x 55 m/m)



4 PC - Short Machine Thread (6 x 50 m/m)

ITEM# 7615 - How To Assemble Your Adirondack Chair

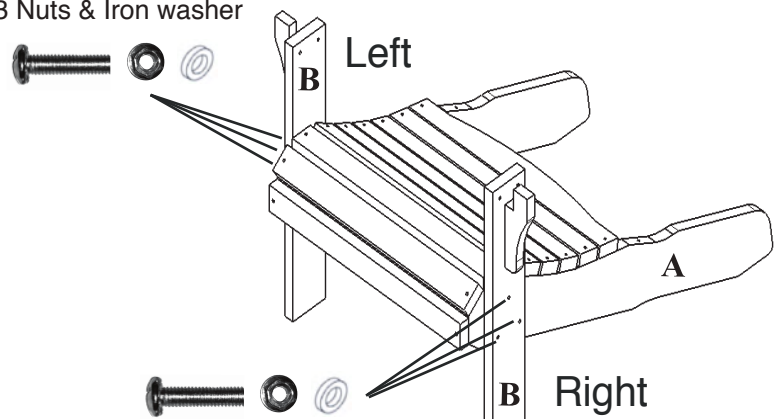
Tools needed: Philips screwdriver, power drill optional

Caution: When assembling chair, **DO NOT** completely tighten the bolts & nuts until all parts & holes are properly aligned.

Step 1:

Place **(A)** Seat on its side and screw **(B)** Front Leg with 3 Long Machine Thread (6 x 55 m/m), 3 Nuts & Iron washer.
Repeat on the other side.

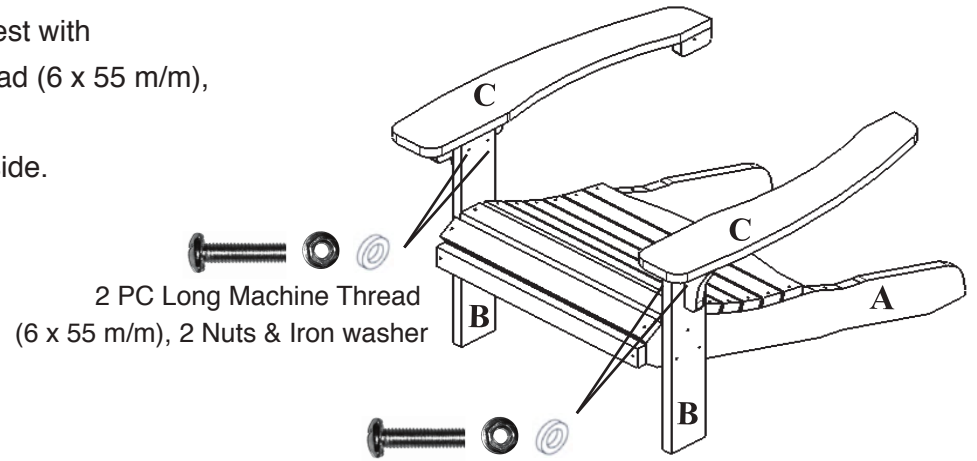
3 PC Long Machine Thread (6 x 55 m/m),
3 Nuts & Iron washer



Step 2:

Place **(B)** Front Leg on its side and screw **(C)** Arm Rest with 2 Long Machine Thread (6 x 55 m/m), 2 Nuts & Iron washer.
Repeat on the other side.

3 PC Long Machine Thread (6 x 55 m/m), 3 Nuts & Iron washer



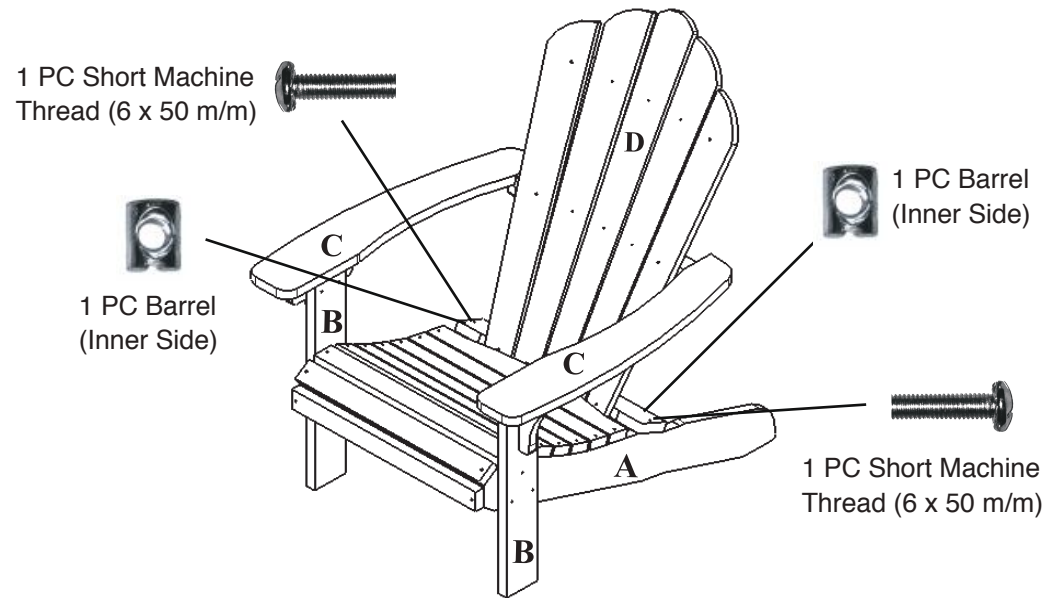
2 PC Long Machine Thread (6 x 55 m/m), 2 Nuts & Iron washer

2 PC Long Machine Thread (6 x 55 m/m), 2 Nuts & Iron washer

Step 3:

Place 1 Barrel into the holes found on the bottom frame of **(D)** Back Rest and 1 Barrel into the holes found at the inner side of **(A)** Seat.

Position **(D)** Back Rest onto **(A)** Seat. Use 1 Short Machine Thread (6 x 50 m/m) to attach the bottom of **(D)** Back Rest to **(A)** Seat on each side.



Step 4:

Place 1 Barrel into the holes found on the back frame of **(D)** Back Rest.

Position **(D)** Back Rest onto **(C)** Arm Rest. Use 1 Short Machine Thread (6 x 50 m/m) to attach **(D)** Back Rest to **(C)** Arm Rest on each side.

