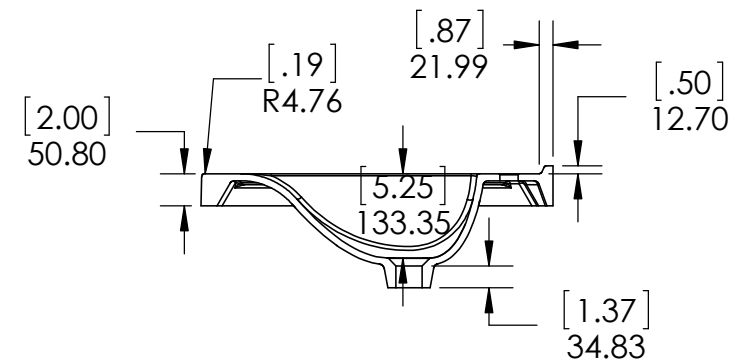
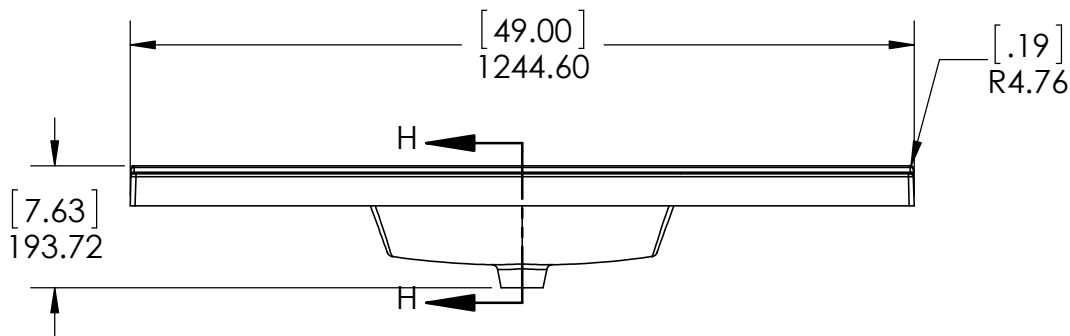
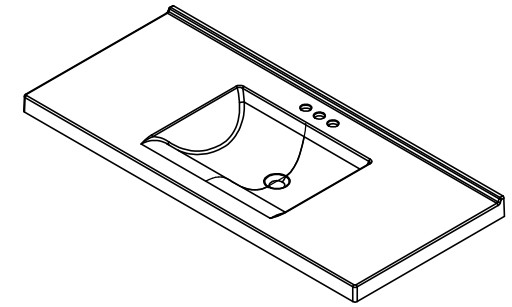
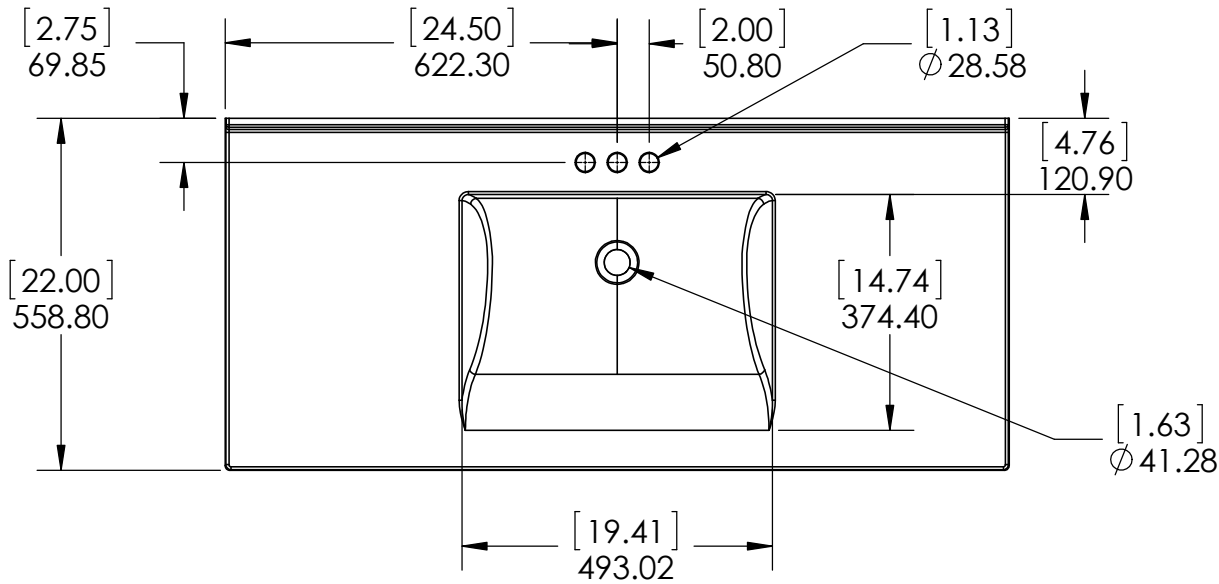


DRAWING TYPE	ITEM ID	ITEM DESCRIPTION	TECHNOLOGIES	DRAWING STATUS
Finish Good	HU4922R-WH	Vtop Wave 49 x 22 4 in	AB Composite	Ready for production
Finish Good	HU49R-WH	Glacier Bay in. Cultured Marble Vanity Top - White	AB Composite	Ready for production

REV	ECO #	DESCRIPTION	REV'D BY DATE	CHK'D BY DATE	APRV'D BY DATE
1		New Design	4/01/16	4/01/16	4/01/16
2		New item, Online	2/06/18	2/06/18	2/06/18



Estimated Weight: 16.5kg

**PROPRIETARY AND CONFIDENTIAL**  
 THE INFORMATION CONTAINED IN THIS DRAWING IS THE SOLE PROPERTY OF WOODCRAFTERS. ANY REPRODUCTION IN PART OR AS A WHOLE WITHOUT THE WRITTEN PERMISSION OF WOODCRAFTERS IS PROHIBITED.

UNLESS OTHERWISE SPECIFIED  
 DIMENSIONS ARE IN MM. AND (INCHES)  
 TOLERANCES ARE  
 + 0.125 [3.175] - 0.125 [-3.175]  
 SCALE:1:12

	NAME	DATE
DRAWN	E. Sandoval	4/01/16
CHECKED	O. Razo	2/06/18
ENG APPR.	V. Sanchez	2/06/18
MFG APPR.	C. Leal	2/06/18

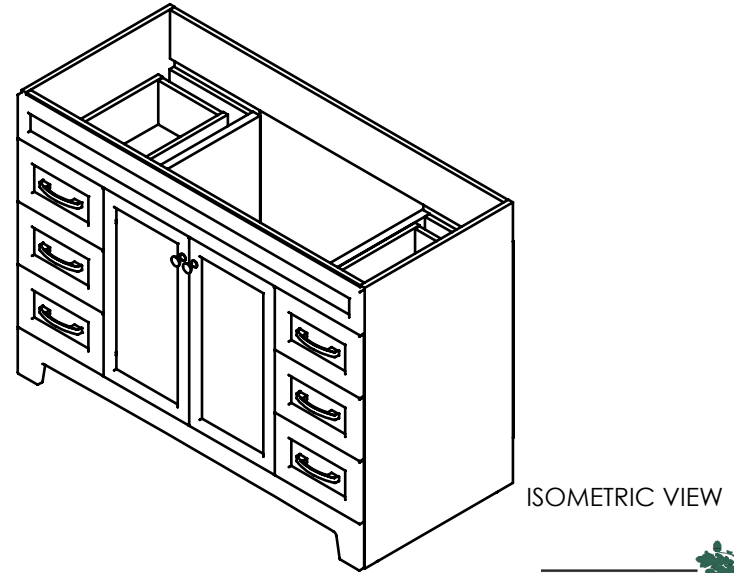
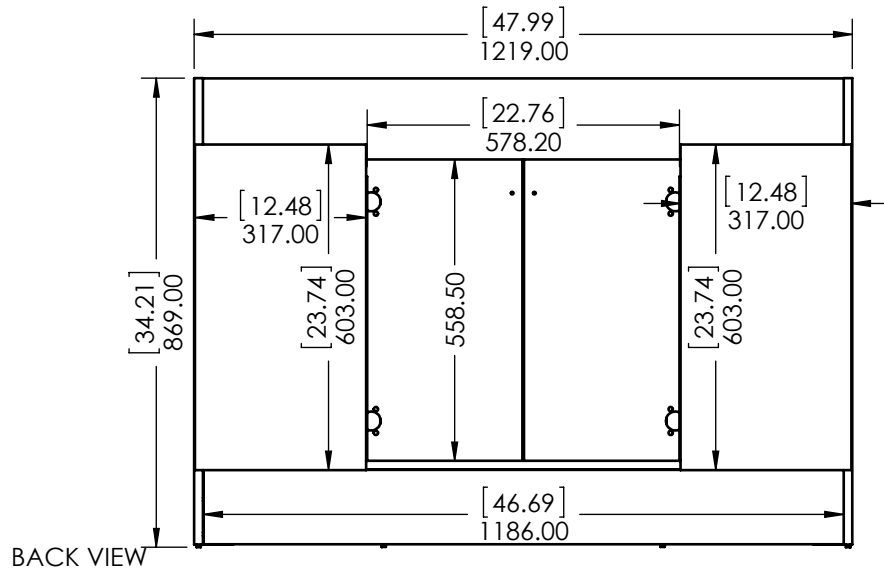
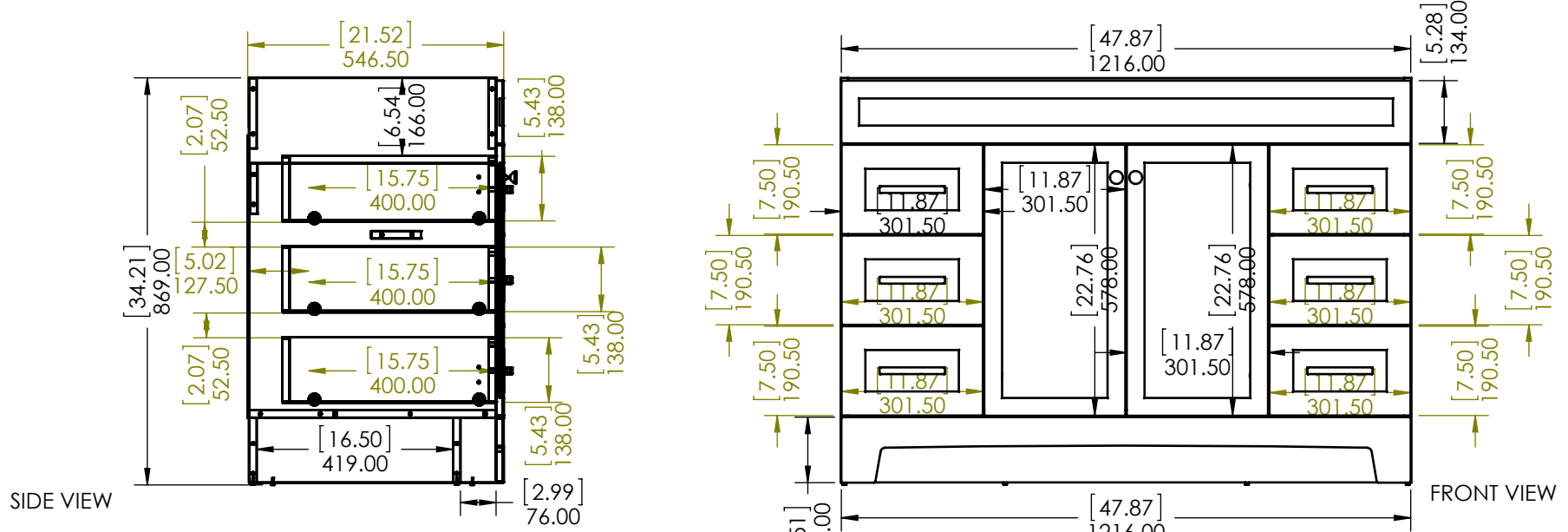
**Wood Crafters**

SIZE DWG. NO. **A** Vtop Wave 49x22

SHEET 1 OF 1 REV: 1

ITEM ID	DESCRIPTION
TB4821-CT	Thornbriar 48in x 21in D Vanity in Cement
TB4821-WH	Thornbriar 48in x 21in D Vanity in White

REV	ECO#	DESCRIPTION	REV'D BY DATE	CHK'D BY DATE	APR'V'D BY DATE
0		New Release	IASV 5/1/17	IASV 5/1/17	IASV 5/1/17



<b>PROPRIETARY AND CONFIDENTIAL</b> THE INFORMATION CONTAINED IN THIS DRAWING IS THE SOLE PROPERTY OF WOODCRAFTERS HOME PRODUCTS L.L.C. ANY REPRODUCTION IN PART OR AS A WHOLE WITHOUT THE WRITTEN PERMISSION OF WOODCRAFTERS HOME PRODUCTS L.L.C. IS PROHIBITED.	UNLESS OTHERWISE SPECIFIED	DRAWN BY:	IASV	5/1/17	TITLE:
	DIMENSIONS ARE IN mm and [inches]	CHECKED BY:	IASV	5/1/17	<b>THORNBRIAR 48" ASSEMBLY</b>
	AND TOLERANCES ARE +/- 1.0 [0.04]	APPROVED BY:	IASV	5/1/17	
		DO NOT SCALE DRAWING	SCALE: 1:10	SIZE: A	PART NO: