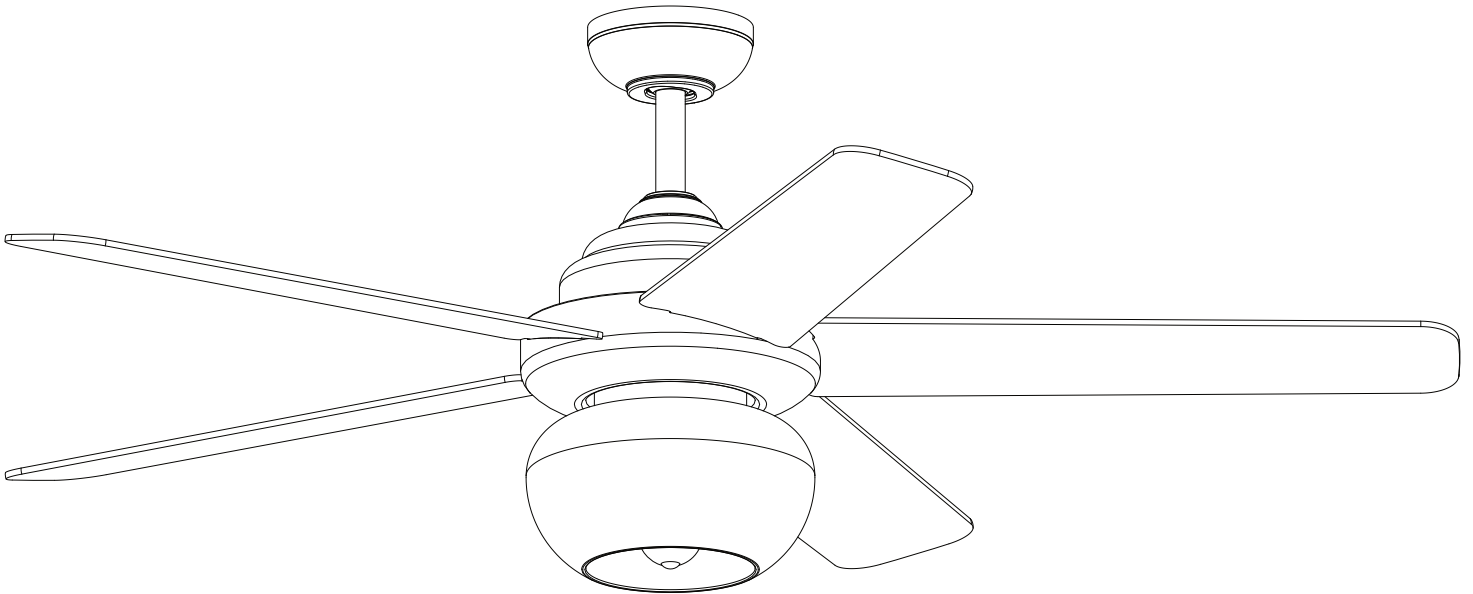


USE AND CARE GUIDE

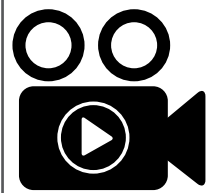
AVONBROOK 56-INCH CEILING FAN



Questions, problems, missing parts? Before returning to the store,
call Home Decorators Collection Customer Service
8 a.m. - 7 p.m., EST, Monday-Friday, 9 a.m. - 6 p.m., EST, Saturday.

1-800-986-3460

HOMEDEPOT.COM/HOMEDECORATORS



To view an instructional video on how to install this product:

1. Go to www.homedepot.com and enter either the Item or Model number, found in the top right corner of the cover of this instruction manual, in the search field.
2. Click on your product from the list of search results and click on the video link in the "Product Overview" section.

THANK YOU

We appreciate the trust and confidence you have placed in Home Decorators Collection through the purchase of this ceiling fan. We strive to continually create quality products designed to enhance your home. Visit us online to see our full line of products available for your home improvement needs. Thank you for choosing Home Decorators Collection!

Table of Contents

Table of Contents	2	Assembly	7
Safety Information	2	Operation	13
Warranty	3	Care and Cleaning	15
Pre-Installation	3	Troubleshooting	15
Installation	6		

Safety Information

READ AND SAVE THESE INSTRUCTIONS.

1. To reduce the risk of electric shock, ensure the electricity has been turned off at the circuit breaker or fuse box before you begin.
2. All wiring must be in accordance with the National Electrical Code ANSI/NFPA 70 and local electrical codes. Electrical installation should be performed by a qualified licensed electrician.
3. The outlet box and support structure must be securely mounted and capable of reliably supporting a minimum of 35 lbs. (15.9 kg). Use only UL-listed outlet boxes marked "Acceptable for Fan Support of 35 lbs. (15.9 kg) or less."
4. The fan must be mounted with a minimum of 7 ft (2.1 m) of clearance from the trailing edge of the blades to the floor.
5. Do not place objects in the path of the blades.
6. To avoid personal injury or damage to the fan and other items, use caution when working around or cleaning the fan.
7. After making electrical connections, spliced conductors should be turned upward and pushed carefully up into the outlet box. The wires should be spread apart with the grounded conductor and the equipment-grounding conductor on one side of the outlet box.
8. All set screws must be checked and retightened where necessary before installation.



WARNING: To reduce the risk of personal injury, do not bend the blade brackets (also referred to as flanges) during assembly or after installation. Do not insert objects in the path of the blades.



WARNING: To reduce the risk of fire or electric shock, do not use this fan with any solid-state speed control device.



WARNING: To avoid possible electrical shock, turn the electricity off at the main fuse box before wiring. If you feel you do not have enough electrical wiring knowledge or experience, contact a licensed electrician.



WARNING: To reduce the risk of fire, electric shock or personal injury, mount to outlet box marked "Acceptable for fan support of 35 lbs. (15.9 kg) or less", and use screws provided with the outlet box.



WARNING: Electrical diagrams are for reference only. If you are using a light kit, refer to the light kit instructions manual to make the electrical connections. Optional use of any light kit shall be UL-listed and marked suitable for use with this fan.



WARNING: To reduce the risk of fire or electric shock, this fan should only be used with fan speed control part no. MDF40S-H04R, manufactured by Dawnsun Electronic Co., LTD.



WARNING: To reduce the risk of electric shock, this fan must be installed with an isolating wall switch.



CAUTION: To reduce the risk of personal injury, use only the screws provided with the outlet box.



CAUTION: Do NOT use this fan with a dimmer switch or wall control. Using a dimmer switch or wall control will damage the fan.



CAUTION: Changes or modifications not expressly approved by the party responsible for compliance could void the user's authority to operate the equipment.

Warranty

The supplier warrants the fan motor to be free from defects in workmanship and material present at time of shipment from the factory for a lifetime after the date of purchase by the original purchaser. The supplier also warrants that all other fan parts, excluding any glass or acrylic blades, to be free from defects in workmanship and material at the time of shipment from the factory for a period of two years after the date of purchase by the original purchaser. We agree to correct such defects without charge or at our option replace with a comparable or superior model if the product is returned. To obtain warranty service, you must present a copy of the receipt as proof of purchase. All costs of removing and reinstalling the product are your responsibility. Damage to any part such as by accident or misuse or improper installation or by affixing any accessories, is not covered by this warranty. Because of varying climatic conditions this warranty does not cover any changes in brass finish, including rusting, pitting, corroding, tarnishing, or peeling. Brass finishes of this type give their longest useful life when protected from varying weather conditions. A certain amount of "wobble" is normal and should not be considered a defect. Servicing performed by unauthorized persons shall render the warranty invalid. There is no other express warranty. Home Decorators Collection hereby disclaims any and all warranties, including but not limited to those of merchantability and fitness for a particular purpose to the extent permitted by law. The duration of any implied warranty which cannot be disclaimed is limited to the time period as specified in the express warranty. Some states do not allow a limitation on how long an implied warranty lasts, so the above limitation may not apply to you. The retailer shall not be liable for incidental, consequential, or special damages arising out of or in connection with product use or performance except as may otherwise be accorded by law. Some states do not allow the exclusion of incidental or consequential damages, so the above exclusion or limitation may not apply to you. This warranty gives specific legal rights, and you may also have other rights which vary from state to state. This warranty supersedes all prior warranties. Shipping costs for any return of product as part of a claim on the warranty must be paid by the customer.

Contact the Customer Service Team at 1-800-986-3460 or visit www.HomeDepot.com/homedecorators.

Pre-Installation

SPECIFICATIONS

Size	Speed	Volts	Fan Power Consumption (without lights) WATT	Airflow CFM	Airflow Efficiency (Higher Is Better) CFM/WATT	Net Weight	Gross Weight	Cubic Feet
56 in.	Low	120	2	1741	870	18.08 lb (8.2 kg)	20.50 lb (9.3 kg)	1.83 cu. ft.
	Medium		9	4124	458			
	High		33	6333	191			



NOTE: These are approximate measures. They do not include the Amps and Wattage used by the light kit.



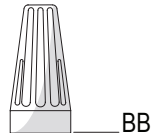
Intertek

Pre-Installation (continued)

HARDWARE INCLUDED



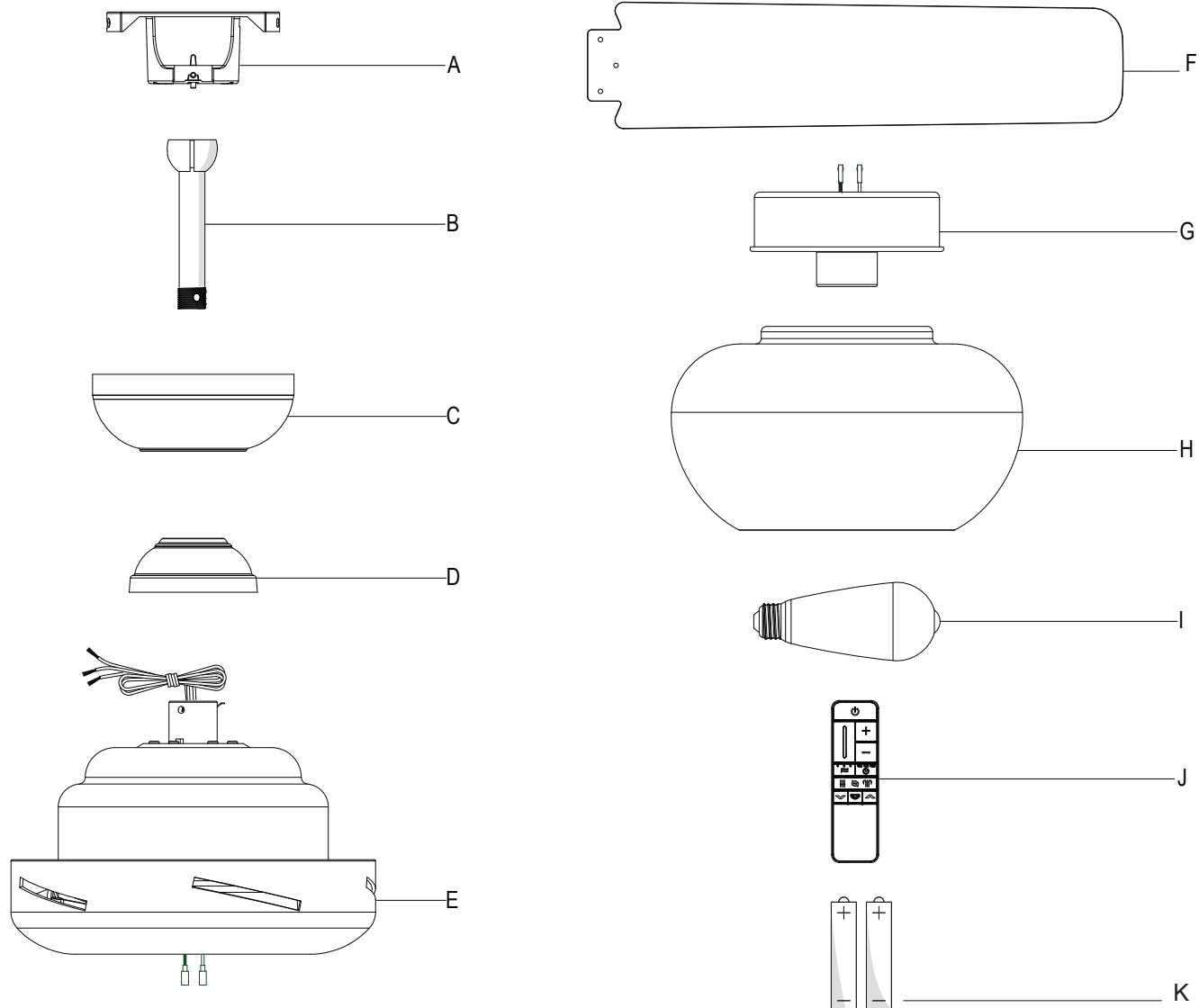
NOTE: Hardware not shown to actual size.



Part	Description	Quantity
AA	Blade attachment screws	16
BB	Plastic wire connecting nut	3

Pre-Installation (continued)

PACKAGE CONTENTS



Part	Description	Quantity
A	Slide-on mounting bracket (inside canopy)	1
B	Ball/downrod assembly	1
C	Canopy with canopy cover attached	1
D	Decorative motor collar cover	1



IMPORTANT: This product and/or components are governed by one or more of the following U.S. Patents: 5,947,436; 5,988,580; 6,010,110; 6,046,416, 6,210,117 and other patents pending.

Part	Description	Quantity
E	Fan-motor assembly	1
F	Blade	5
G	Light kit fitter assembly	1
H	Glass bowl	1
I	LED bulb	1
J	Remote control	1
K	Battery	2

Installation

MOUNTING OPTIONS

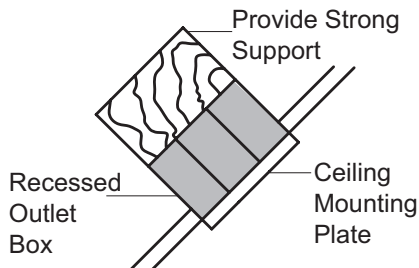
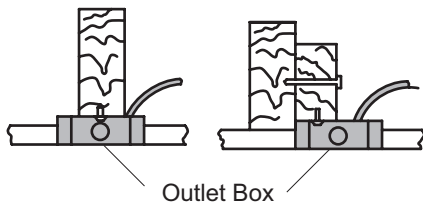
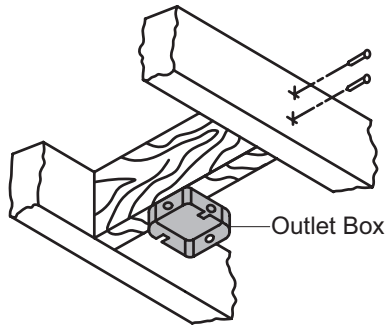


WARNING: To reduce the risk of fire, electric shock or personal injury, mount to outlet box marked "Acceptable for fan support of 35 lbs. (15.9 Kg) or less", and use screws provided with the outlet box. An outlet box commonly used for the support of lighting fixtures may not be acceptable for fan support and may need to be replaced. If in doubt, consult a qualified electrician.

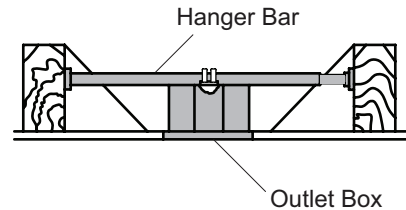
If your ceiling fan does not have an existing UL-listed mounting box, then install one using the following instructions:

- Disconnect the power by removing the fuses or turning off the circuit breakers.
- Secure the outlet box directly to the building structure. Use the appropriate fasteners and materials. The outlet box and support structure must be securely mounted and capable of reliably supporting a minimum of 35 lbs. (15.9kg). Use only UL-listed outlet boxes marked "Acceptable for fan support of 35 lbs. (15.9 Kg) or less" Do not use a plastic outlet box.

The illustrations below show three different ways to mount the outlet box.



NOTE: You may need a longer downrod to maintain proper blade clearance when installing on a steep, sloped ceiling. The maximum angle allowable is 20° away from horizontal.



If the canopy touches the downrod, then remove the decorative canopy bottom cover, and turn the canopy 180° before attaching the canopy to the mounting plate.

To hang your fan where there is an existing fixture but no ceiling joist, you may need an installation hanger bar as shown above (available at any Home Depot store).

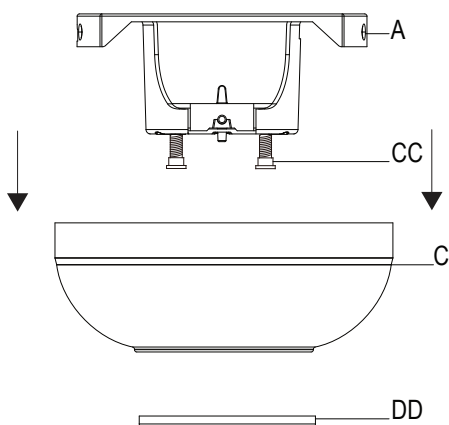
Assembly - Standard Ceiling Mount

1 Preparing for mounting



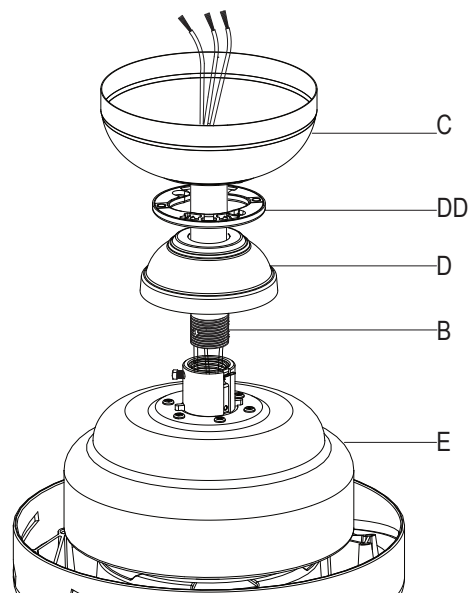
NOTE: The magnet is pre-attached on the canopy bottom cover for you to remove and install easily.

- Pull off the canopy bottom cover (DD) from the canopy (C).
- Loosen the two canopy screws (CC) located in the bottom of the mounting bracket (A), and turn the canopy counterclockwise to remove the mounting bracket (A) from canopy (C).



2 Routing the wires

- Route the wires exiting the top of the fan motor assembly (E) through the decorative motor collar cover (D) and then the center of the canopy bottom cover (DD).
- Make sure the opening of canopy (C) is on top and insert the ball/downrod (B) through the canopy (C).
- Route the wires exiting the top of the fan motor assembly (E) through downrod as shown.



3 Assembling the fan

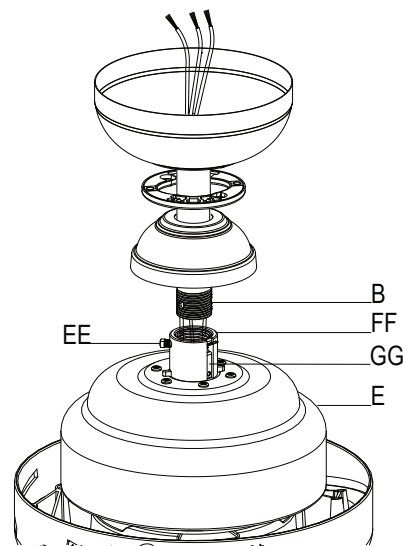


CAUTION: To ensure wobble-free operation and to avoid damage to the fan, the downrod (B) and the setscrew (EE) must be completely tightened.



NOTE: This fan is equipped with a safety tab (GG). Should the setscrew (EE) ever become loose while the fan is running in reverse, the safety tab (GG) will engage and stop the fan from falling.

- Loosen, but do not remove, the setscrew (EE) on the collar (FF) on top of the fan-motor assembly (E).
- Install the downrod (B) by inserting it into the motor collar (FF), and turning it clockwise until it is tight.
- Re-tighten the setscrew (EE) on the collar (FF) on top of the fan-motor assembly (E).



Assembly - Hanging the Fan

1 Attaching the fan to the electrical box

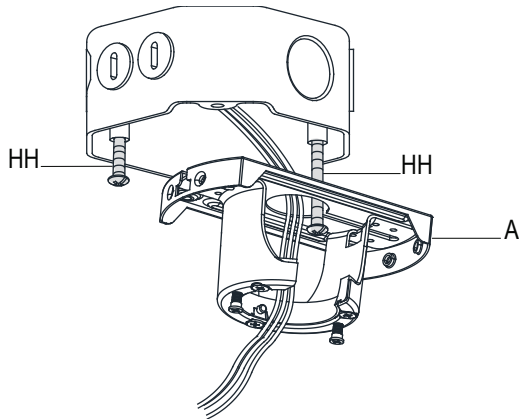


WARNING: To reduce the risk of fire, electric shock or personal injury, mount to outlet box marked "Acceptable for fan support of 35 lbs. 15.9 kg) or less", and use screws provided with the outlet box.



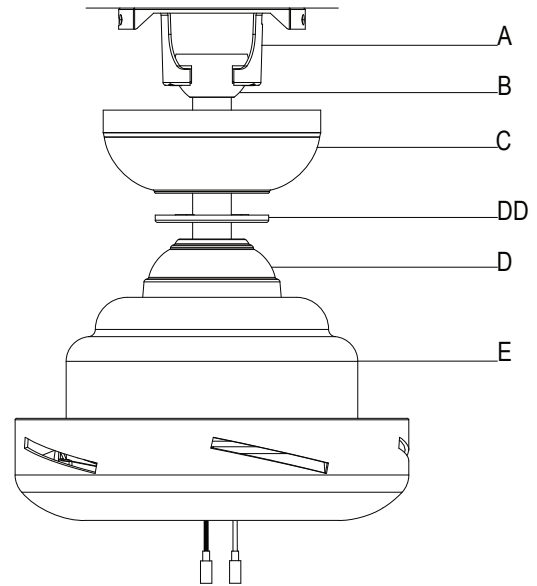
NOTE: The mounting bracket (A) is designed to slide into place on an outlet box with the outlet box screws (HH) installed.

- Loosen the two mounting screws (HH) in the outlet box.
- Pass the 120-Volt supply wires through the center hole in the mounting bracket (A).
- Slide the mounting bracket (A) on to the mounting screws (HH) and center the mounting bracket (A) in relation to the outlet box. If necessary, use leveling washers (not included) between the slide-on mounting bracket (A) and the outlet box. The flat side of the slide-on mounting bracket (A) should face toward the outlet box, as shown.
- Securely tighten the two mounting screws (HH).



2 Hanging the fan

- Carefully lift the fan-motor assembly (E) up to the slide-on mounting bracket (A).
- Insert the ball portion of the ball/downrod assembly (B) into the socket of the slide-on mounting bracket (A).
- Turn the ball/downrod assembly (B) clockwise until it is seated with the tab of the slide-on mounting bracket (A) aligned with the slot in the ball.



Assembly - Hanging the Fan (continued)

3 Making the electrical connection



WARNING: Each wire nut supplied with this fan is designed to accept up to one 12-gauge house wire and two wires from the fan. If you have larger than 12-gauge house wiring or more than one house wire to connect to the fan wiring, consult an electrician for the proper size wire nuts to use.



IMPORTANT: Use the plastic wire connectors (BB) supplied with your fan. Secure the connectors with electrical tape and ensure there are no loose strands or connections.

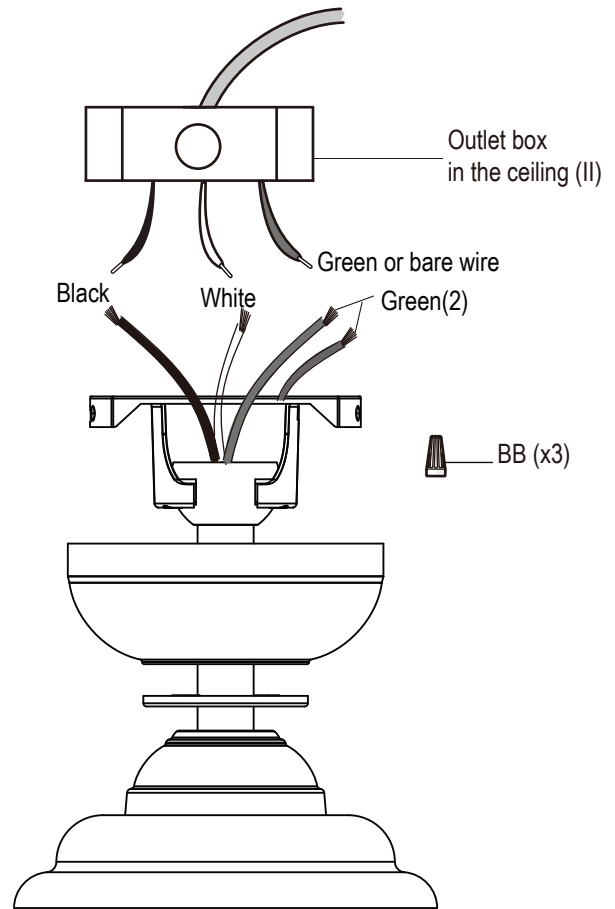


NOTE: The fan comes with 78 in. lead wires for use with an extended ball/ downrod assembly. If using the 6 in. ball/downrod assembly (B) provided, you can cut the lead wires to your desired length (no shorter than 12 in.)



NOTE: The blades must be installed before attempting to operate the fan. If the blades are not installed, the motor will not function properly.

- The fan comes with 78 in. lead wires for use with an extended ball/ downrod assembly. If using the 6 in. ball/downrod assembly (B) provided, you can cut the lead wires to your desired length (no shorter than 12 in.). This will make extra room in the canopy (C). If you do not wish to cut the wires, you will need to neatly wrap them.
- Connect the fan green wires to the household green or bare wire using a wire connecting nut (BB).
- Connect the fan motor white wires to the household white wire using a wire connecting nut (BB).
- Connect the fan motor black wires to the household black wire using a wire connecting nut (BB).
- Secure each wire connecting nut using electrical tape.
- Turn the wire connecting nut (BB) upward and push the wiring into the outlet box (II).



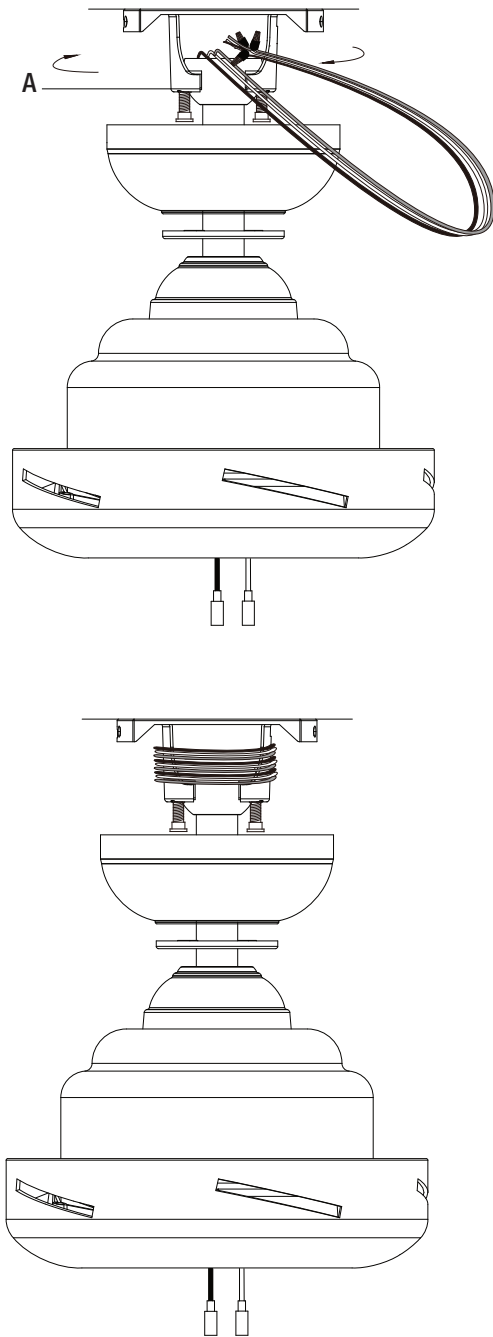
Assembly - Hanging the Fan (continued)

4 Wrapping the extra wire



NOTE: Follow this step **ONLY** if you did not cut the extra length off from the wires coming from the ceiling fan.

- Gently wrap the excess wire around the mounting bracket (A).
- Secure with electrical tape.



5 Mounting the fan-motor assembly (standard mount)

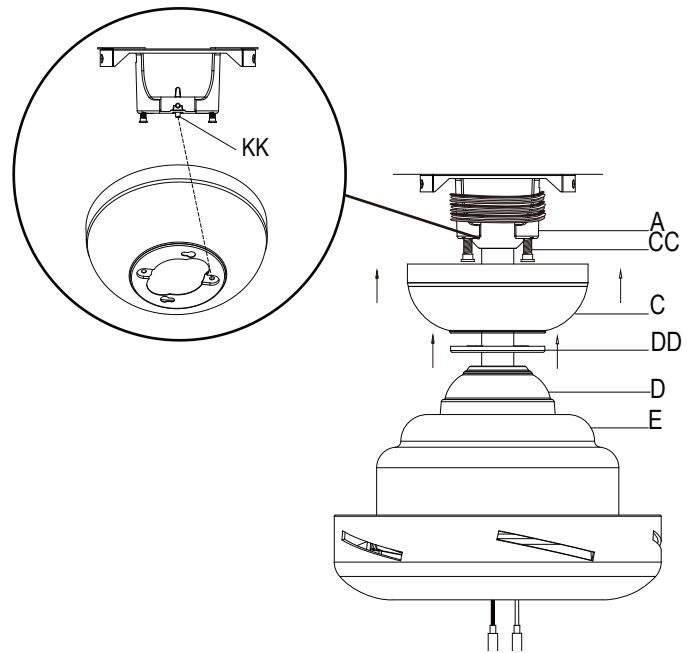


WARNING: When using the standard ball/downrod mounting, the tab in the ring at the bottom of the mounting bracket must rest in the groove of the hanger ball. Failure to properly seat the tab in the groove could cause damage to the wiring.



NOTE: The magnet is pre-attached on the canopy bottom cover for you to remove and install easily.

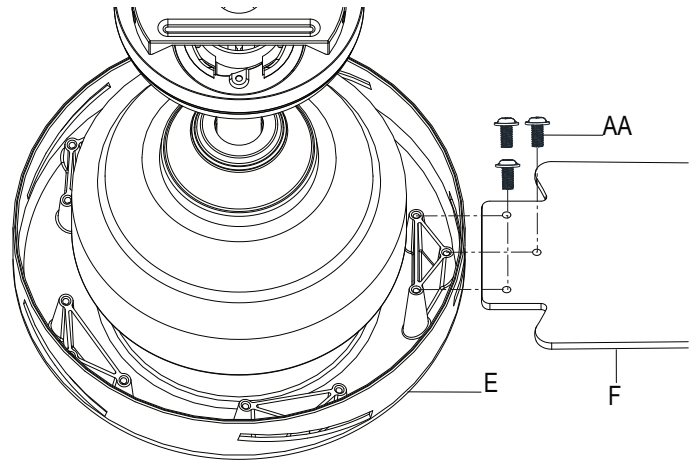
- Align the locking slots of the canopy (C) with the two screws (CC) and alignment post (KK) in the mounting bracket (A).
- Push up the canopy (C) and turn clockwise until the alignment post (KK) engages to the round hole and the screws (CC) engage to the key slots.
- Firmly tighten the two mounting screws (CC).
- Align the oval shape on the canopy (C) with the canopy bottom cover (DD). Push up the canopy bottom cover (DD) until the screw (CC) heads engage to the slots on the canopy bottom cover (DD) so that the magnetic canopy bottom cover (DD) can be attached to the bottom of the canopy (C) properly.



Assembly - Hanging the Fan (continued)


6 Attaching the fan blades

- Attach a blade (F) to the fan-motor assembly (E) by inserting the blade (F) into the slots in the side of the fan motor housing and aligning the three screw holes in the blade (F) with the holes in the center flywheel and secure with screws (AA).
- Make sure all the screws are firmly tightened.
- Repeat these steps for the remaining blades.

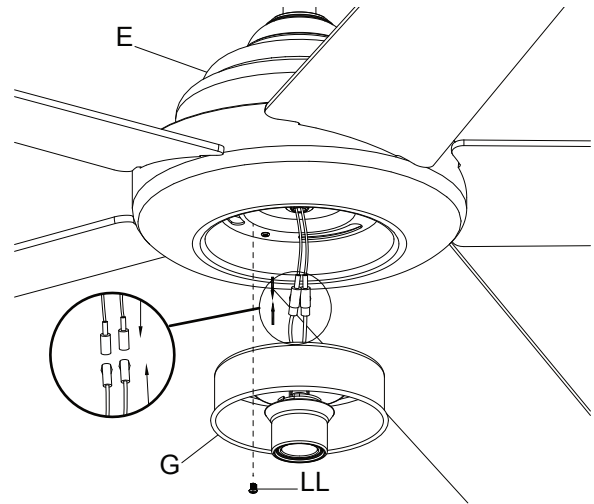


Assembly - Attaching the Accessories


1 Attaching the light kit fitter assembly

 **CAUTION:** To reduce the risk of electric shock, disconnect the electrical supply circuit to the fan before installing the light kit.

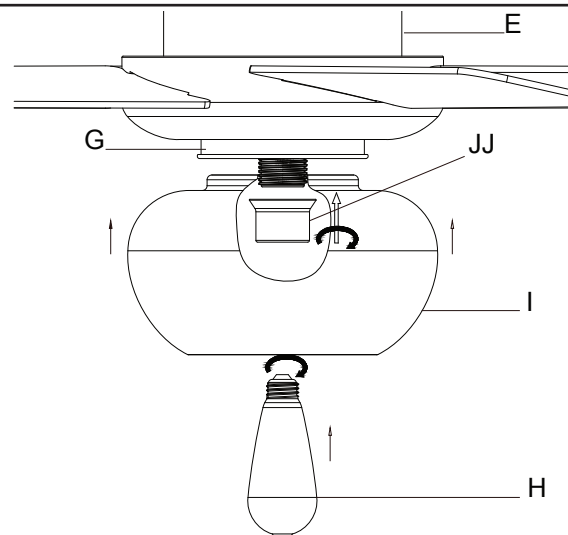
- Remove one screw (LL) from the black bracket below the fan motor assembly (E), and loosen, but do not remove the other two screws.
- Connect the wires from the light kit fitter assembly (G) to the wires from the fan motor assembly (E) by connecting the molded adaptor plugs together. Carefully tuck all wires and splices into the switch cup.
- Push the light kit fitter assembly (G) up to the fan motor assembly (E) so that the two loosened screw heads fit into the keyhole slots. Turn the light kit fitter assembly (G) clockwise to secure.
- Re-install the screw that was removed in the first step.
- Make sure all the screws are firmly tightened.



2 Installing the shade

 **WARNING:** Do not overtighten when installing the shade into the light kit. Allow the shade to cool completely before removing.

- Screw off the socket cover (JJ) from the socket of the light kit fitter assembly (G) and save it for later use.
- Place the glass bowl (I) into the light kit fitter assembly (G) over the socket, and then screw the socket cover (JJ) into the socket to secure the glass bowl (I) properly.
- With power off, install the light bulbs (H) by screwing into the light bulb socket.



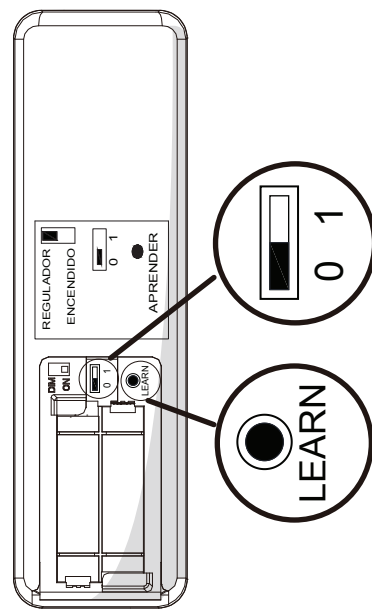
Preparing the Remote Control

Pairing the Remote Control



NOTE: The remote control has already been paired to the ceiling fan for your convenience. If you have two of the same model fans in your home, please follow the steps below to control each fan independently.

- Slide the dip switch in the battery compartment to the “1” setting.
- Confirm that the power to the fan is off at either the wall switch or breaker box.
- Return power to the fan at the wall switch or breaker box.
- Press and release the “Learn” button located in the remote’s battery compartment within 30 seconds.
- If pairing is successful, the fan’s light kit will flash and the blades will begin to spin.



Setting the light function on your remote

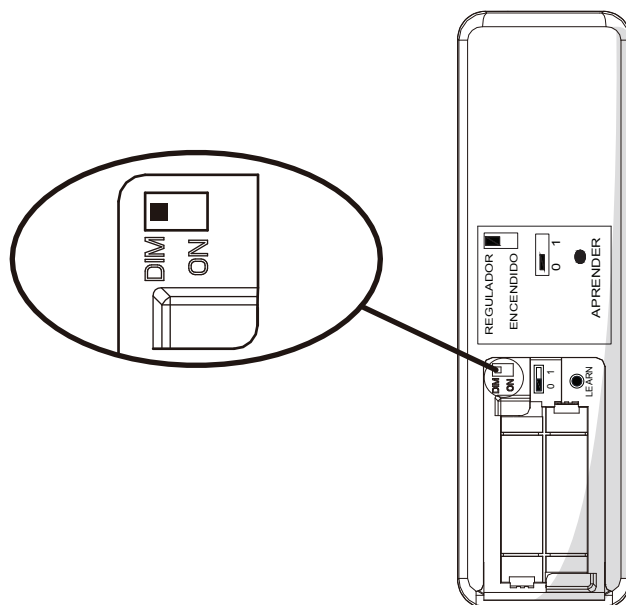


NOTE: The battery will weaken with age and should be replaced before leaking takes place as this will damage the remote control. Dispose of used battery properly and keep the battery out of the reach of children.



NOTE: The switch marked ON/DIM controls the dimming function of the lights: If using non-dimmable bulbs, use a ballpoint pen or small screwdriver to set the switch to ON to disable the dimming function. If using dimmable bulbs, set the switch to DIM to enable the dimming function.

- Remove the battery cover by pressing firmly on the arrow and sliding the cover off.
- If your fan is equipped with a light kit and using dimmable bulbs, slide the dip switch from “on” to “dim” (for non-dimmable bulbs, the dip switch must be set to “on”).
- Install two 1.5V AAA batteries (K).
- Replace the battery cover on the remote control.



Operating Your Fan and Remote Control

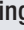
1. **Fan  button.** - Press and release the  button to turn the fan on or off.

- Fan on. The fan memory function will resume the speed set on the fan prior to the power being turned off. The LED bar will display the current settings for 5 seconds after the button is released.
- Fan off. The fan memory function will store the current setting for the next time the fan is in use.



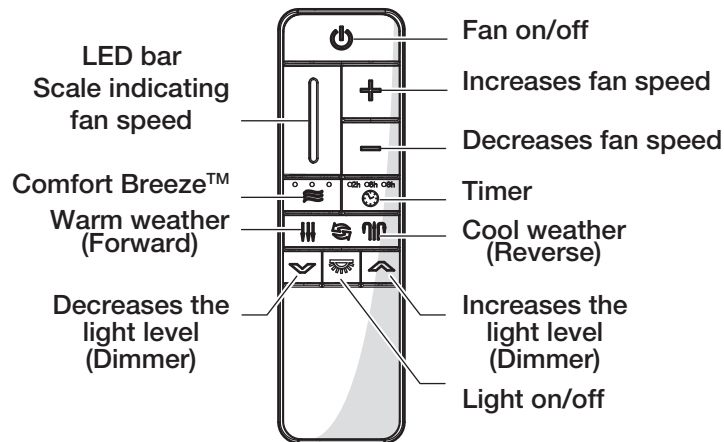
NOTE: On start up your ceiling fan will oscillate back and forth. This is **NORMAL OPERATION** for DC ceiling fan as it goes through its calibration cycle. The fan is **NOT DEFECTIVE**.



NOTE: If you are currently using Comfort Breeze™ mode, pressing the  button will cancel Comfort Breeze™ mode and resume normal fan operation.



NOTE: You must turn the fan on prior to using the timer function.



2. Speed functions

+ button, increases the fan speed

- Pressing and releasing the + button one time will increase the speed of the fan. Each setting increase will cause the LED bar to illuminate slightly more, until the fan has reached the maximum speed setting. At that time the LED bar will be fully illuminated.
- Pressing and holding the + button will increase the fan speed automatically through the speed settings and the increments will be denoted on the LED bar. When the LED bar is fully illuminated, the fan has reached maximum speed setting.
- Pressing the + button while in Comfort Breeze™ mode, will automatically cancel the Comfort Breeze™ mode and resume normal fan operation.

- button, decreases fan speed

- Pressing and releasing the - button one time will decrease the speed of the fan. Each setting decrease will cause the LED bar to dim slightly more, until the fan has reached the minimum speed setting. At that time the LED bar will be approximately 25% illuminated.
- Pressing and holding the - button will decrease the fan speed automatically through the speed settings and the increments will be denoted on the LED bar. When the LED bar is 25% illuminated, the fan has reached the minimum speed setting.
- Pressing the - button while in Comfort Breeze™ mode, will automatically cancel the Comfort Breeze™ mode and resume normal fan operation.

3. Comfort Breeze™

There are three Comfort Breeze™ settings. Pressing the  button will activate the Comfort Breeze™ mode.

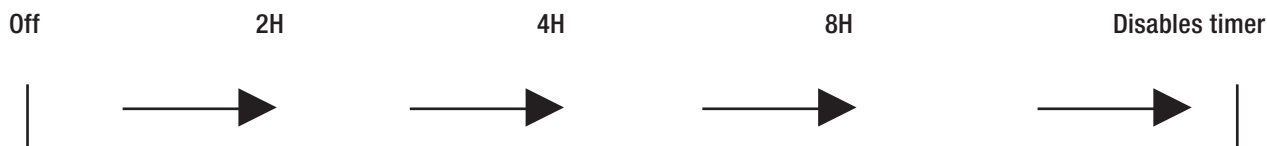
- Setting 1: Alternates through speeds 1 – 3, the LED bar should fill approximately 33%.
- Setting 2: Alternates through speeds 1 – 6, the LED bar should fill approximately 66%.
- Setting 3: Alternates through speeds 1 – 9, the LED bar should be fully illuminated.



Operating Your Fan and Remote Control

4. Timer ☺

- Pressing the timer button will automatically turn fan and light (if light is on) off after 2, 4, or 8 hours. When you activate the timer mode, the LED to the left of the time above the clock will illuminate.



5. Fan reverse button (Must be pushed when the fan is in operation)

- Warm weather: LED bar will illuminate and the lights will flow from high to low.
- Cool weather: LED bar will illuminate and the lights will flow from low to high.

6. Light ☼

- Press and release the light button to turn the light on or off
- Light on: The fan memory function will resume the light setting (on or off and dim) on the fan prior to the power being turned off.

7. Dimmer

- Press to increase desired light level.
- Press to decrease the desired light level.

Remote Control - Your fan is equipped with a remote control to operate the speed and lights of your new ceiling fan.

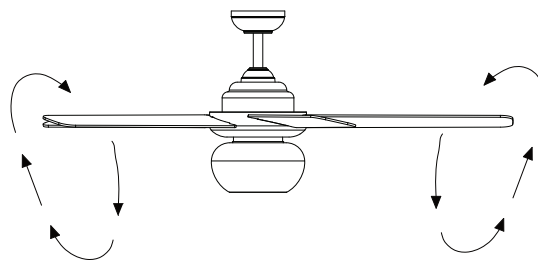
Speed setting for warm or cool weather depend on factors such as the room size, ceiling height, number of fans and so on.

A. Warm weather - (Forward) A downward airflow creates a cooling effect.

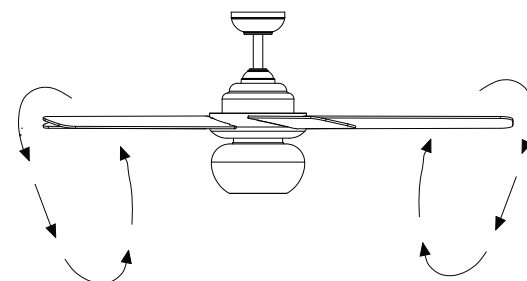
This allows you to set your air conditioner on a higher setting without affecting your comfort.

B. Cool weather - (Reverse) An upward airflow moves warm air off of the ceiling. This allows you to set your heating unit on a lower setting without affecting your comfort.

A. Warm weather



B. Cool weather



NOTE: Do not wait for the fan to stop before pressing the reverse button. The fan will not reverse direction if the fan is not moving.

Care and Cleaning



WARNING: Make sure the power is off before cleaning your fan.

- Because of the fan's natural movement, some connections may become loose. Check the support connections, brackets, and blade attachments twice a year. Make sure they are secure. It is not necessary to remove the fan from the ceiling.
- Clean your fan periodically to help maintain its new appearance over the years. Do not use water when cleaning, as this could damage the motor, or the wood, or possibly cause an electrical shock. Use only a soft brush or lint-free cloth to avoid scratching the finish.
- You can apply a light coat of furniture polish to the wood for additional protection and enhanced beauty. Cover small scratches with a light application of shoe polish.
- You do not need to oil your fan. The motor has permanently-lubricated sealed ball bearings.

Troubleshooting

Problem	Solution
The fan will not start.	<ul style="list-style-type: none"><input type="checkbox"/> Check the main and branch circuit fuses or breakers.<input type="checkbox"/> Check the line wire connections to the fan and switch wire connections in the switch housing.<input type="checkbox"/> Check the battery in the remote control.<input type="checkbox"/> Ensure you are in the normal range of 10-20 feet.<input type="checkbox"/> Remember to turn off the power supply before checking the dip switch settings.
The fan is noisy.	<ul style="list-style-type: none"><input type="checkbox"/> Ensure all motor housing screws are snug.<input type="checkbox"/> Ensure the screws that attach the fan blade bracket to the motor hub are tight.<input type="checkbox"/> Ensure the wire nut connections are not rattling against each other or the interior wall of the switch housing.<input type="checkbox"/> Allow a 24-hour "breaking in" period. Most noises associated with a new fan disappear during this time.<input type="checkbox"/> If you are using the Ceiling Fan light kit, ensure the screws securing the glassware are tight. Check that the light bulbs are also secure.<input type="checkbox"/> Ensure the canopy is a short distance from the ceiling. It should not touch the ceiling.<input type="checkbox"/> Ensure your outlet box is secure and rubber isolator pads were used between the mounting plate and outlet box.
The fan wobbles.	<ul style="list-style-type: none"><input type="checkbox"/> Check that all blade and blade arm screws are secure.<input type="checkbox"/> Most fan wobble problems are caused when blade levels are unequal. Check this level by selecting a point on the ceiling above the tip of one of the blades. Measure from a point on the center of the blade to the point on the ceiling. Rotate the fan until the next blade is positioned for measurement, and measure from the same point on each blade to the ceiling. Repeat for each blade. Any measurement deviation should be within 1/8 in. Run the fan for ten minutes. If the fan continues to wobble please contact Customer Service and a balancing kit will be sent to you at no charge.
Fan moves backwards and forwards when turned on.	<ul style="list-style-type: none"><input type="checkbox"/> This is normal start-up procedure for DC motor fans. The partial movement during start-up is the result of the DC motor aligning the internal magnetic poles for proper motor operation. This design saves electricity and allows the fan to operate much quieter than standard AC motor fans.

This equipment has been tested and found to comply with the limits for a Class B digital device, pursuant to Part 15 of the FCC Rules. These limits are designed to provide reasonable protection against harmful interference in a residential installation. This equipment generates, uses and can radiate radio frequency energy and, if not installed and used in accordance with the instructions, may cause harmful interference to radio communications. However, there is no guarantee that interference will not occur in a particular installation. If this equipment does cause harmful interference to radio or television reception, which can be determined by turning the equipment off and on, the user is encouraged to try to correct the interference by one or more of the following measures:

- Reorient or relocate the receiving antenna.
- Increase the separation between the equipment and receiver.
- Connect the equipment into an outlet on a circuit different from that to which the receiver is connected.
- Consult the dealer or an experienced radio/TV technician for help.

CAUTION:

Any changes or modifications not expressly approved by the grantee of this device could void the user's authority to operate the equipment.

This device complies with Part 15 of the FCC Rules. Operation is subject to the following two conditions: (1) This device may not cause harmful interference, and (2) this device must accept any interference received, including interference that may cause undesired operation.

HOME DECORATORS COLLECTION

Questions, problems, missing parts? Before returning to the store,
call Home Decorators Collection Customer Service
8 a.m. - 7 p.m., EST, Monday-Friday, 9 a.m. - 6 p.m., EST, Saturday.

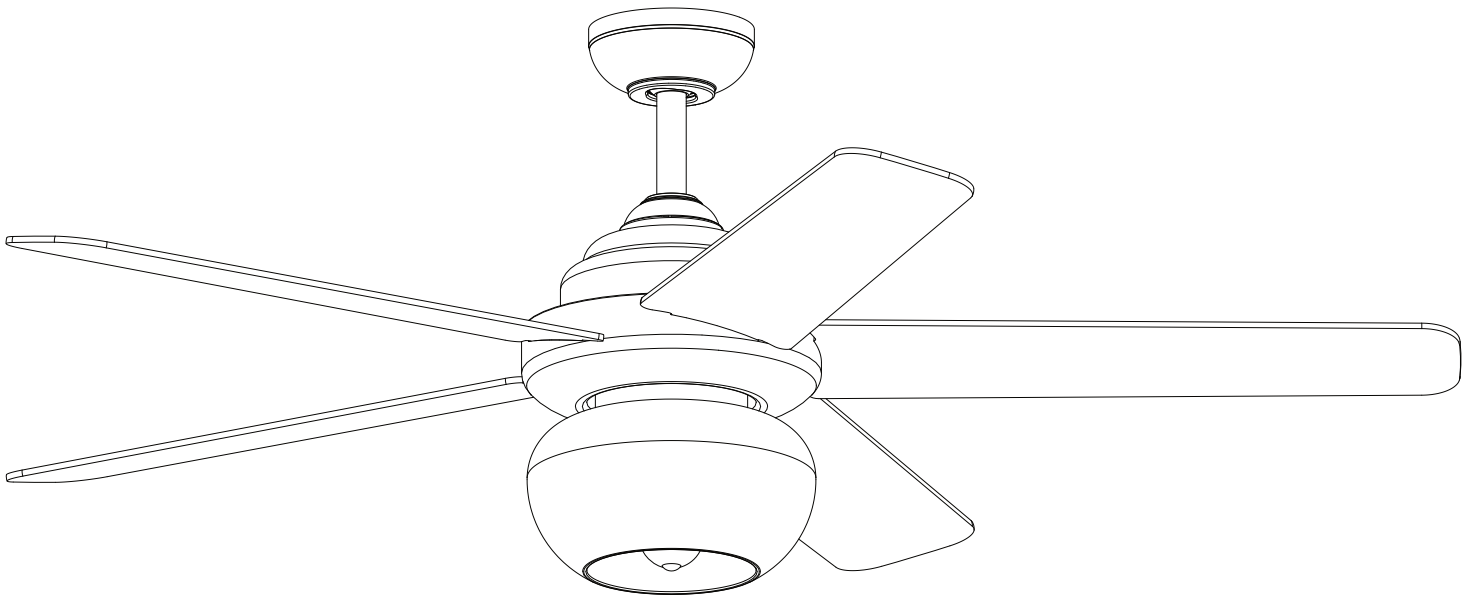
1-800-986-3460

HOMEDEPOT.COM/HOMEDECORATORS

Retain this manual for future use.

GUÍA DE USO Y MANTENIMIENTO

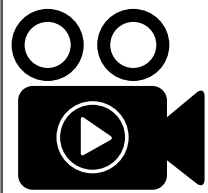
VENTILADOR DE TECHO AVONBROOK, 56 PULGADAS (1.42 M)



¿Preguntas, problemas o piezas faltantes? Antes de devolver a la tienda, llamar al servicio al cliente de Home Decorators Collection, de lunes a viernes, entre 8:00 a.m. y 7:00 p.m. (hora del Este), y los sábados de 9:00 a.m. a 6:00 p.m. (hora del Este).

1-800-986-3460

HOMEDEPOT.COM/HOMEDECORATORS



Para ver un video instructivo sobre cómo instalar este producto:

1. Visita www.homedepot.com e ingresa en el campo de búsqueda el número del modelo o artículo, que aparece en la esquina superior derecha de la portada de este manual de instrucciones.
2. Haz clic sobre tu producto, en la lista de resultados de la búsqueda, y sobre el enlace de video en la sección "Product Overview" [Información general del producto].

GRACIAS POR TU COMPRA

Apreciamos la plena confianza depositada en Home Decorators Collection al comprar este ventilador de techo. Nos esforzamos en crear continuamente productos de calidad diseñados para mejoras del hogar. Visítanos por Internet para ver nuestra línea completa de productos disponibles a fin de satisfacer la necesidades de mejoras de tu hogar. ¡Gracias por elegir Home Decorators Collection!

Tabla de contenidos

Tabla de contenido	2	Ensamblaje.....	7
Información de seguridad.....	2	Funcionamiento	13
Garantía	3	Mantenimiento y limpieza.....	15
Preinstalación	3	Solución de problemas	15
Instalación.....	6		

Información de seguridad

LEE Y GUARDA ESTAS INSTRUCCIONES.

1. Para disminuir el riesgo de descarga eléctrica, asegúrate de cortar la electricidad del cortacircuitos o la caja de fusibles antes de comenzar.
2. Todo el cableado debe cumplir con el Código Nacional de Electricidad ANSI/NFPA 70 y con los códigos locales correspondientes. La instalación eléctrica debe hacerse por un electricista certificado y calificado.
3. La caja eléctrica y la estructura de soporte tienen que montarse de forma segura para poder sostener con confianza y como mínimo 35 lb (15.9 kg). Usa solo cajas eléctricas aprobadas por UL y marcadas como "apropiadas para sostener ventiladores de 35 lb (15.9 kg) o menos."
4. El ventilador debe montarse con un mínimo de 7 pies (2.1 m) de espacio libre desde el borde posterior de las aspas hasta el piso.
5. No coloques objetos en la trayectoria de las aspas.
6. Para evitar lesiones personales o daños al ventilador y otros artículos, hay que tener cuidado al limpiarlo o al trabajar cerca de él.
7. Después de hacer las conexiones eléctricas, los conductores empalmados deben voltearse hacia arriba y empujarse con cuidado hacia dentro de la caja eléctrica. Los cables deben quedar separados, con el cable y el conductor a tierra del equipo hacia uno de los lados de la caja eléctrica.
8. Antes de la instalación, todos los tornillos de fijación tienen que comprobarse y reajustarse donde sea necesario.



ADVERTENCIA: Para reducir el riesgo de lesiones personales, no dobles los soportes de las aspas (también llamados "bridas") durante la instalación o después de esta. No colocar objetos en la trayectoria de las aspas.



ADVERTENCIA: Para reducir el riesgo de incendio o descarga eléctrica, no utilices este ventilador con ningún dispositivo de estado sólido para control de velocidad.



ADVERTENCIA: Para evitar una posible descarga eléctrica, desconecta la electricidad en la caja principal de fusibles antes cablear. Si crees que no tienes suficiente conocimiento o experiencia sobre cableado eléctrico, contacta a un electricista con licencia.



ADVERTENCIA: Para reducir el riesgo de incendio, descarga eléctrica u otras lesiones, instala sólo en una caja eléctrica clasificada como "apropiada para sostener ventiladores de 35 lb (15.9 kg) o menos", y usa sólo los tornillos incluidos con la caja eléctrica.



ADVERTENCIA: Los diagramas eléctricos son solo para referencia. Si usas un kit de luces, consulta el manual de instrucciones del kit de luces para hacer las conexiones eléctricas. Cualquier juego de luces opcional deberá estar aprobado por UL y marcado como adecuado para usar con este ventilador.



ADVERTENCIA: Para disminuir el riesgo de incendio o descarga eléctrica, este ventilador sólo debe usarse con la pieza # MDF40S-H04R de control de velocidad fabricada por Dawsun Electronic Co., LTD.



ADVERTENCIA: A fin de reducir el riesgo de descargas eléctricas, este ventilador tiene que instalarse con un interruptor de pared con aislamiento.



PRECAUCIÓN: Para reducir el riesgo de lesiones personales hay que usar sólo los tornillos incluidos con la caja eléctrica.



PRECAUCIÓN: NO usar este ventilador con control de pared o interruptor con regulador de intensidad. Usar un interruptor o control de pared con regulador de intensidad dañará este ventilador.



PRECAUCIÓN: Los cambios o modificaciones sin previa aprobación expresa de parte responsable de su cumplimiento podrían anular el derecho del usuario a operar el equipo.

Garantía

El proveedor garantiza de por vida, a partir de la fecha de adquisición por el comprador original, que el motor del ventilador no presenta defectos de fabricación ni de materiales al momento del envío desde la fábrica. El proveedor también garantiza, por dos años a partir de la fecha de adquisición por el comprador original, que todas las demás piezas del ventilador, excepto las aspas de vidrio o acrílicas, no presentarán ningún defecto de fabricación ni de material al momento del envío desde la fábrica. Si el producto es devuelto, aceptamos reparar sus defectos sin cargo alguno o, a nuestra entera discreción, reemplazarlo por modelo similar o superior. Para obtener servicio de garantía tiene que presentarse una copia del recibo como comprobante de compra. Todos los costos de retiro y reinstalación del producto correrán por cuenta del cliente. No están cubiertos por esta garantía los daños a ninguna de las piezas como resultado de accidente, instalación o uso incorrectos, ni por fijación de cualquier accesorio. Puesto que las condiciones climáticas pueden variar, esta garantía no cubre ningún cambio del acabado en latón, como óxido, perforación, corrosión, manchas o descascaramiento. Este tipo de acabados en latón alargan la vida útil al proteger contra las condiciones climáticas cambiantes. Cierta "oscilación" es normal y no debe considerarse un defecto. Cualquier servicio prestado por personal no autorizado invalidará la garantía. No hay ninguna otra garantía expresa. Por este medio Home Depot Decorators Collection queda exonerado de todas y cada una de las demás garantías en el alcance permitido por la ley incluso, pero sin limitarse a, aquellas de comercialización e idoneidad para determinado propósito. La duración de cualquier garantía implícita que no pueda exonerarse se limita al plazo especificado en la garantía explícita. Algunos estados no permiten limitar la duración de la garantía, así que la limitación anterior pudiera no aplicarse a su caso. El minorista no será responsable por daños directos, indirectos ni especiales que resulten o deriven del uso o funcionamiento del producto, excepto en los casos que pudieran estar estipulados de otro modo por ley. Algunos estados no permiten excluir ni limitar daños directos o indirectos, así que la limitación o exclusión anterior pudiera no aplicarse a su caso. Esta garantía otorga derechos legales específicos y es posible que usted tenga también otros derechos, que varían de un estado a otro. Esta garantía sustituye todas las anteriores. Los costos de envío en cualquier devolución de productos como parte de una reclamación de garantía corren por cuenta del cliente.

Comuníquese con el equipo de servicio al cliente por el 1-800-986-3460 o visite www.HomeDepot.com/homedecorators.

Preinstalación

ESPECIFICACIONES

Tamaño	Velocidad	Voltios	Consumo de energía del ventilador (sin luces) WATTS	Flujo de aire pies ³ /min	Eficiencia de flujo de aire (Mientras más alta, mejor) pies ³ /min / WATTS	Peso neto	Peso bruto	Pies cúbicos
56 plg (1.42 m)	Baja	120	2	1741	870	18.08 lb (8.2 kg)	20.50 lb (9.3 kg)	1.83 pies ³
	Media		9	4124	458			
	Alta		33	6333	191			



NOTA: Estas medidas son aproximadas. No incluyen ni el amperaje ni el vataje consumido por el kit de luces.



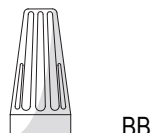
Intertek

Preinstalación (continuación)

SE INCLUYEN HERRAJES



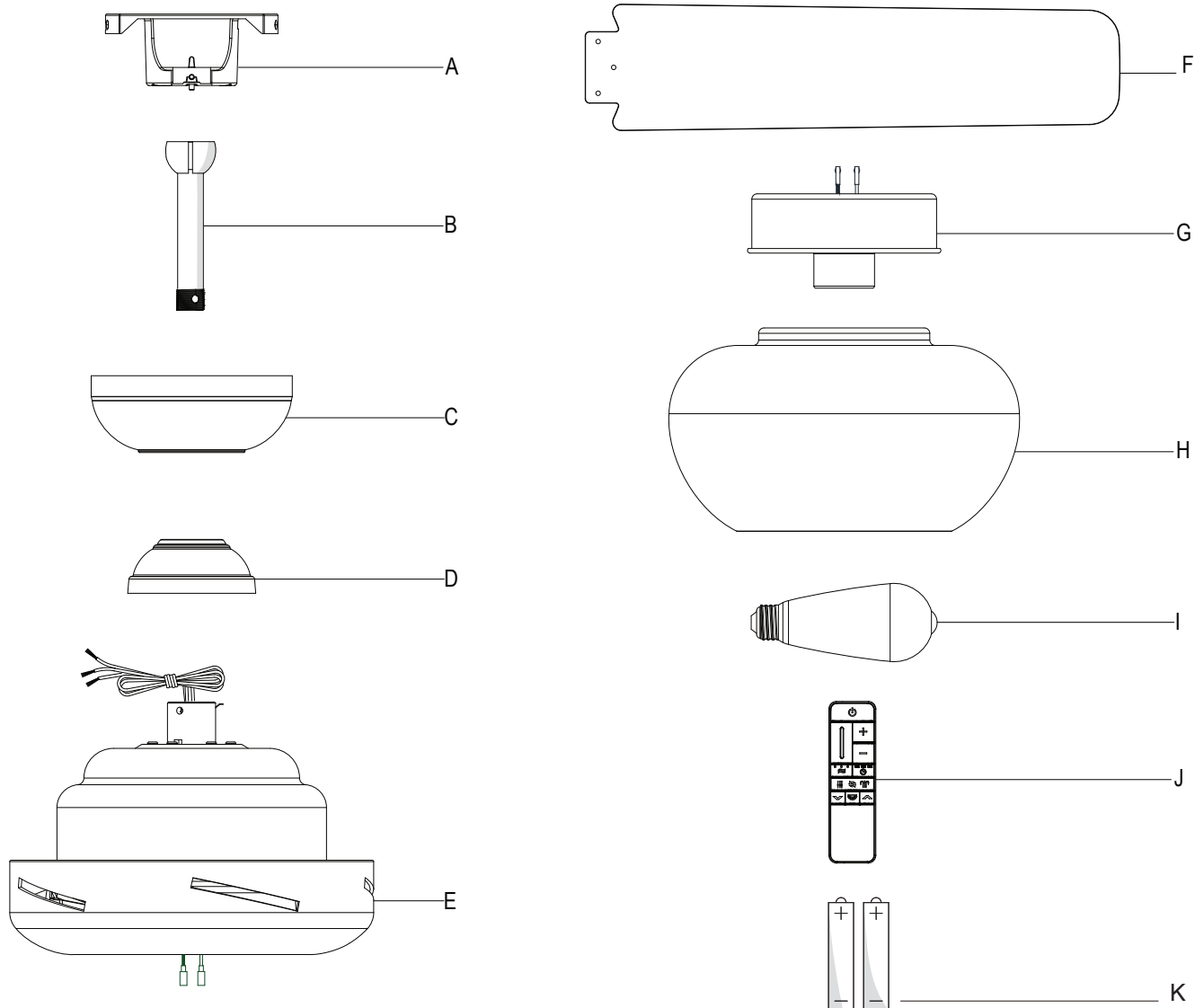
NOTA: Los herrajes no se muestran en tamaño real.



Pieza	Descripción	Cantidad
AA	Tornillos para fijar las aspas	16
BB	Tuerca de plástico para conectar cables	3

Preinstalación (continuación)

CONTENIDOS DEL PAQUETE



Pieza	Descripción	Cantidad
A	Soporte de montaje deslizante (dentro de la cubierta)	1
B	Conjunto del tubo bajante/esfera	1
C	Cubierta con aro incorporado	1
D	Cubierta decorativa del collarín del motor	1

Pieza	Descripción	Cantidad
E	Conjunto motor-ventilador	1
F	Aspa	5
G	Conjunto ensamblado del soporte del kit de luces	1
H	Tazón de vidrio	1
I	Bombilla LED	1
J	Control remoto	1
K	Batería	2



IMPORTANTE: Este producto y/o sus componentes están protegidos por una o más de las siguientes patentes en EE. UU.: 5,947,436; 5,988,580; 6,010,110; 6,046,416, 6,210,117, así como otras patentes pendientes.

Instalación

OPCIONES DE MONTAJE

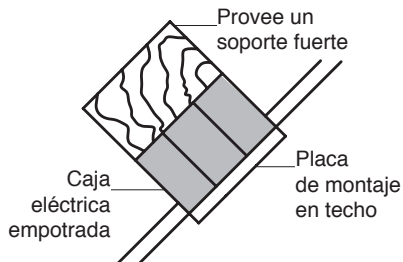
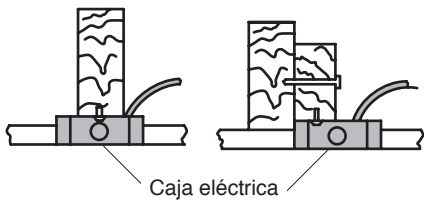
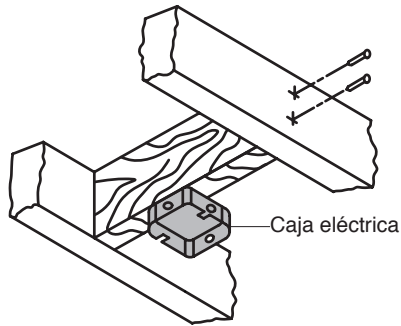


ADVERTENCIA: Para reducir el riesgo de incendio, descarga eléctrica u otras lesiones, instala sólo en una caja eléctrica clasificada como “apropiada para sostener ventiladores de 35 lb (15.9 Kg) o menos”, y usar los tornillos que vienen con ella. Una caja eléctrica utilizada comúnmente para soporte de lámparas puede no servir como soporte de ventilador y tal vez deba reemplazarse. En caso de duda, consultar a un electricista calificado.

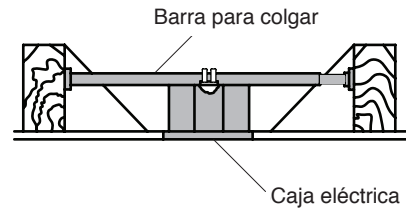
Si tu ventilador de techo no tiene una caja de montaje aprobada por UL, instala una conforme a las instrucciones siguientes:

- Desconectar la energía retirando los fusibles o apagando los cortacircuitos.
- Asegura la caja eléctrica directamente a la estructura de la edificación. Usar los sujetadores y materiales apropiados. La caja eléctrica y la estructura de soporte tienen que montarse de forma segura para poder sostener con confianza y como mínimo 35 lb (15.9 kg). Usa solo cajas eléctricas aprobadas por UL y marcadas como “apropiadas para sostener ventiladores de 35 lb (15.9 kg) o menos”. No uses una caja eléctrica de plástico.

Las ilustraciones más abajo muestran tres formas distintas de montar la caja eléctrica.



NOTA: Tal vez necesites un tubo bajante más largo para mantener la altura mínima adecuada de las aspas al instalar el ventilador en un techo muy inclinado. El ángulo máximo permitido es 20° desde la horizontal.



Si la cubierta toca el tubo bajante, retira la tapa inferior decorativa de la cubierta y gira 180° esta última antes de fijarla a la placa de montaje.

Para colgar el ventilador donde ya haya una lámpara pero ninguna viga de techo, tal vez necesites una barra de instalación colgante como se muestra arriba (disponible en cualquier tienda de The Home Depot).

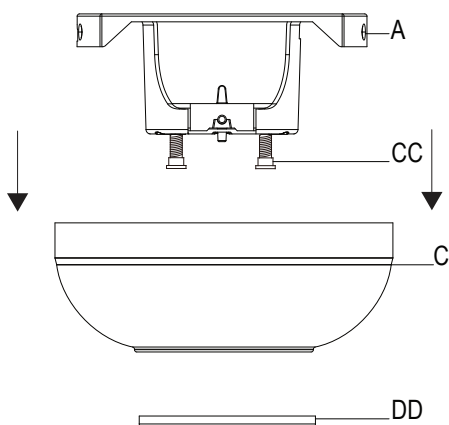
Ensamblaje - Montaje estándar en techo

1 Preparación para el montaje



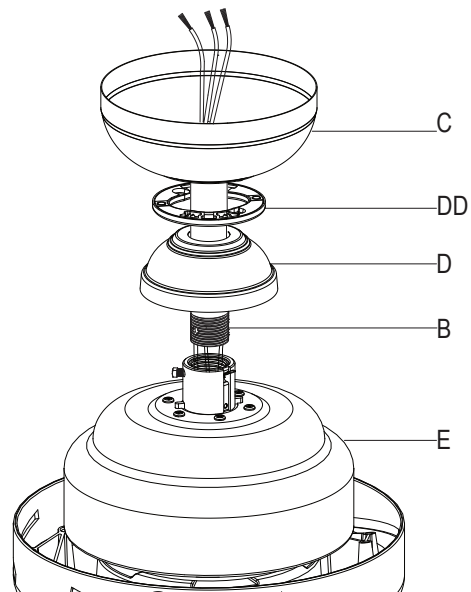
NOTA: El imán viene prefijado en la tapa inferior de la cubierta para quitar e instalar fácilmente.

- Retira de la cubierta (C) su tapa inferior (DD).
- Afloja los dos tornillos de la cubierta (CC) ubicados en la parte inferior del soporte de montaje (A) y gira la cubierta (C) hacia la izquierda para quitar el soporte (A) de ella.



2 Disposición de los cables

- Inserta los cables que salen por la parte superior del conjunto del motor y el ventilador (E) a través de la cubierta decorativa del collarín del motor (D) y enseguida a través del centro de la tapa inferior de la cubierta (DD).
- Asegúrate de que la abertura de la cubierta (C) esté arriba e inserta el tubo bajante/esfera (B) a través de ella (C).
- Inserta los cables que salen por la parte superior del conjunto del motor y el ventilador (E) a través del tubo bajante, como se muestra.



3 Cómo ensamblar el ventilador

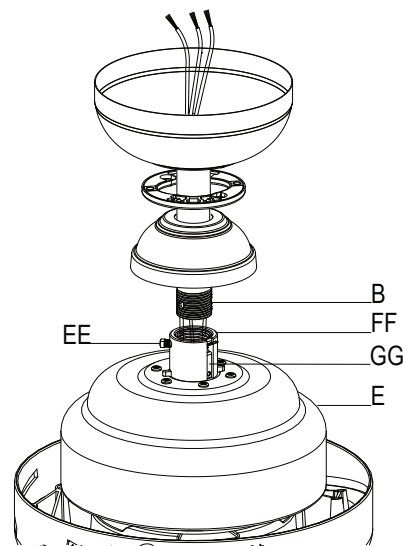


PRECAUCIÓN: Para asegurarte de que no hay oscilación y evitar daños al ventilador, el tubo bajante (B) y el tornillo de fijación (EE) tienen que quedar completamente ajustados.



NOTA: Este ventilador está equipado con una pestaña de seguridad (GG). Si el tornillo de fijación (EE) se afloja mientras el ventilador está funcionando en reversa, la pestaña de seguridad (GG) se enganchará y evitará que el ventilador se caiga.

- Afloja, sin quitarlo, el tornillo de fijación (EE) del collarín (FF) ubicado en la parte superior del conjunto del motor y el ventilador (E).
- Instala el tubo bajante (B) insertándolo en el collarín del motor (FF) y girándolo hacia la derecha hasta que quede apretado.
- Vuelve a ajustar el tornillo de fijación (EE) del collarín (FF) ubicado en la parte superior del conjunto del motor y el ventilador (E).



Ensamblaje - Cómo colgar el ventilador

1 Cómo fijar el ventilador a la caja eléctrica

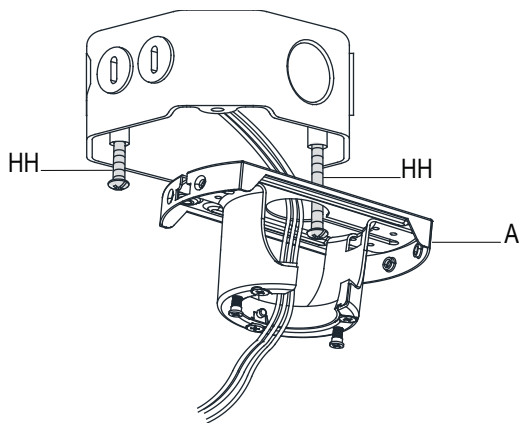


ADVERTENCIA: Para reducir el riesgo de incendio, descarga eléctrica o lesiones personales, instala solo en una caja eléctrica clasificada como "apropiada para sostener ventiladores de 35 lb (15.9 kg) o menos" y usa los tornillos que vienen con ella.



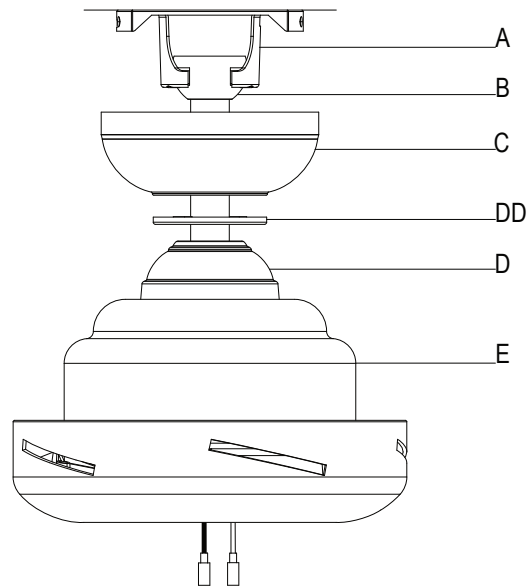
NOTA: El soporte de montaje (A) está diseñado para deslizarse en su lugar sobre una caja eléctrica con los tornillos de esta (HH) instalados.

- Afloja los dos tornillos de montaje (HH) de la caja eléctrica.
- Pasa los cables de suministro de 120 V a través del orificio central en el soporte de montaje (A).
- Desliza el soporte de montaje (A) sobre los tornillos correspondientes (HH) y encentra aquel (A) en relación con la caja eléctrica. De ser necesario, usa arandelas niveladoras (no incluidas) entre el soporte de montaje deslizante (A) y la caja eléctrica. El lado plano del soporte (A) debe quedar apuntando hacia la caja eléctrica, como se muestra.
- Ajusta firmemente los dos tornillos de montaje (HH).



2 Cómo colgar el ventilador

- Hay que levantar con cuidado el conjunto motor-ventilador (E) hasta el soporte de montaje deslizante (A).
- Inserta la bola del conjunto del tubo bajante/esfera (B) en el casquillo del soporte de montaje deslizante (A).
- Gira el conjunto de tubo bajante/esfera (B) hacia la derecha hasta que quede encajado con la pestaña del soporte de montaje deslizante (A) alineada con la ranura de la esfera.



Ensamblaje - Cómo colgar el ventilador (continuación)

3 Cómo hacer las conexiones eléctricas



ADVERTENCIA: Cada tuerca para cable incluida con este ventilador está diseñada para cables domésticos calibre 12 como máximo y dos cables del ventilador. Si tu cableado doméstico tiene calibre mayor de 12 o más de un cable para conectar al cableado del ventilador, consulta a un electricista para saber el tamaño adecuado de las tuercas a usar para los cables.



IMPORTANTE: Usa los conectores de cables plásticos (BB) incluidos con tu ventilador. Sujeta los conectores con cinta de electricista y asegúrate de que no haya conexiones ni cables sueltos.

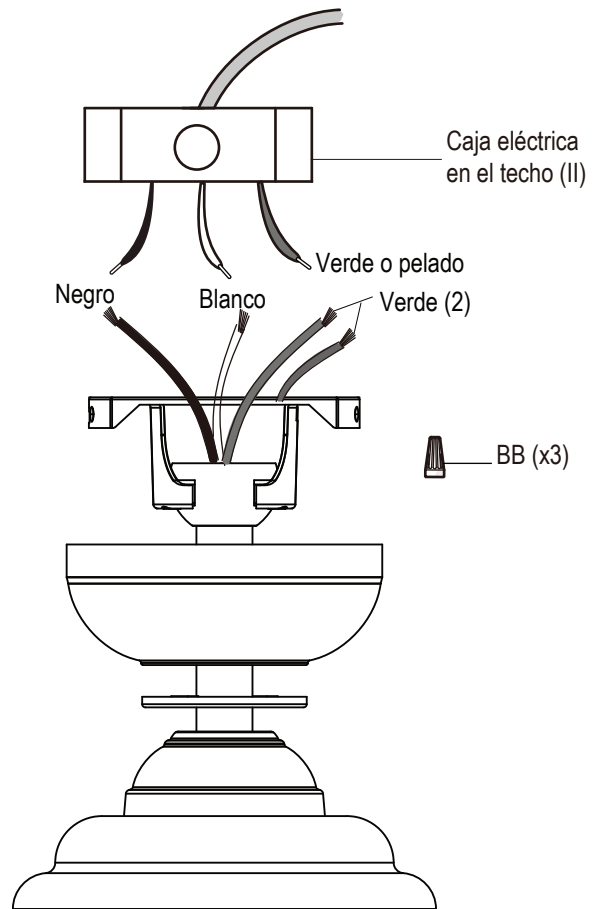


NOTA: El ventilador viene con cables terminales de 78 plg (1.98 m) para usar con un conjunto extendido de tubo bajante/esfera. Si usas el ensamblaje de tubo bajante/esfera (B) de 6 plg (15.2 cm) incluido, puedes recortar los cables terminales al largo deseado (no menos de 12 plg=30.5 cm).



NOTA: Las aspas tienen que instalarse antes de tratar de usar el ventilador. Si las aspas no están instaladas, el motor no funcionará correctamente.

- El ventilador viene con cables terminales de 72 plg (1.98 m) para usar con un ensamblaje extendido de tubo bajante/esfera. Si usas el ensamblaje de tubo bajante/esfera (B) de 6 plg (15.2 cm) incluido, puedes recortar los cables terminales al largo deseado (no menos de 12 plg=30.5 cm). Esto dejará más espacio en la cubierta (C). Si no quieres cortar los cables, deberás enrollarlos cuidadosamente.
- Conecta los cables verdes del ventilador a los cables verde o pelado del hogar usando una tuerca de conexión de cables (BB).
- Conecta los cables blancos del motor del ventilador al cable blanco del hogar usando una tuerca de conexión de cables (BB).
- Conecta los cables negros del motor del ventilador al cable negro del hogar usando una tuerca de conexión de cables (BB).
- Asegura cada tuerca de conexión de cables con cinta de electricista.
- Gira la tuerca de conexión de cables (BB) hacia arriba y coloca el cableado dentro de la caja eléctrica (II).



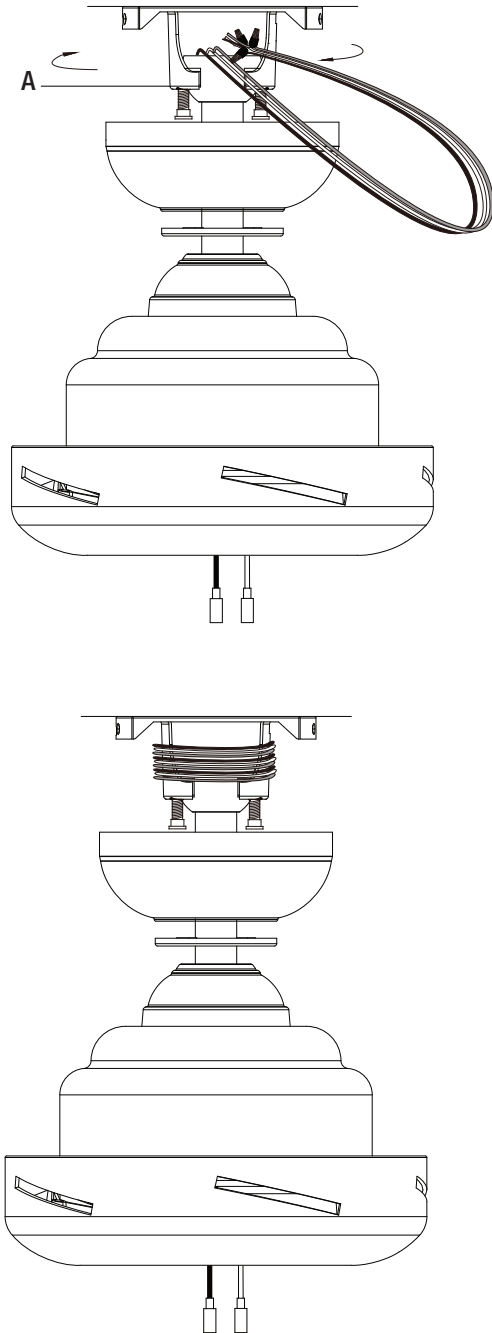
Ensamblaje - Cómo colgar el ventilador (continuación)

4 Cómo enroscar el cable sobrante



NOTA: Sigue estos pasos SOLO si no cortaste el cable sobrante del ventilador de techo.

- Con cuidado, enrolla el exceso de cable alrededor del soporte de montaje (A).
- Asegura con cinta de electricista.



5 Cómo montar el conjunto del motor y el ventilador (montaje estándar)

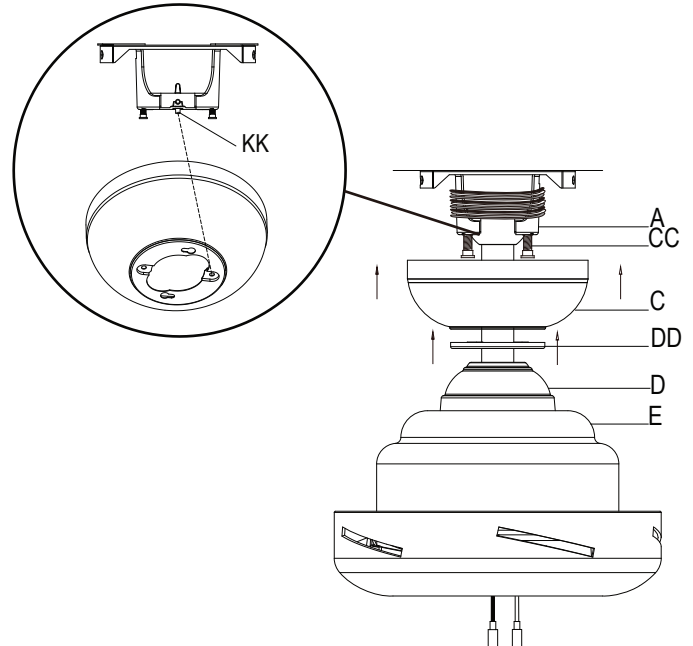


ADVERTENCIA: Cuando uses el montaje estándar del tubo bajante/esfera, la pestaña en el aro de la parte inferior del soporte de montaje tiene que encajar en la ranura de la esfera de soporte. Si la pestaña no se asienta correctamente en la ranura, se puede dañar el cableado.



NOTA: El imán viene prefijado en la tapa inferior de la cubierta para quitar e instalar fácilmente.

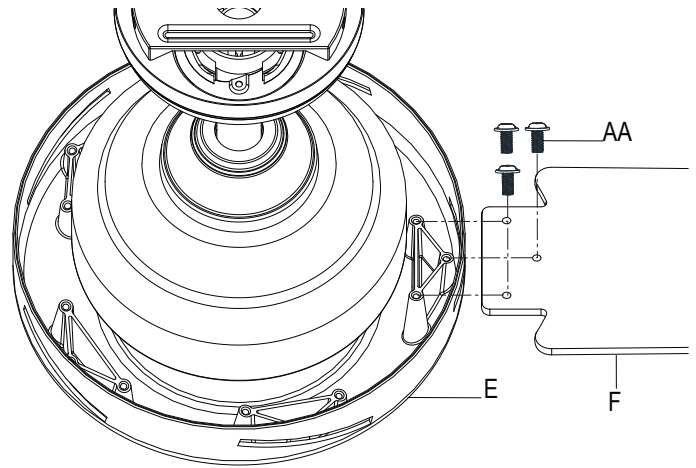
- Alinea las ranuras de cierre de la cubierta (C) con los dos tornillos (CC) y el poste de alineación (KK) del soporte de montaje (A).
- Empuja hacia arriba la cubierta (C) y gírala hacia la derecha hasta que el poste de alineación (KK) se enganche en el orificio redondo y los tornillos (CC), en las ranuras tipo ojo de cerradura.
- Ajusta firmemente los dos tornillos de montaje (CC).
- Alinea la forma oval sobre la cubierta (C) con su tapa inferior (DD). Empuja hacia arriba la tapa inferior de la cubierta (DD) hasta que las cabezas de los tornillos (CC) se enganchen con las ranuras de la tapa magnética (DD) de manera que esta quede bien fijada a la parte inferior de la cubierta (C).



Ensamblaje - Cómo colgar el ventilador (continuación)

6 Cómo fijar las aspas del ventilador

- Asegura el asa (F) al conjunto del motor y el ventilador (E) insertando el asa (F) en las ranuras del costado de la carcasa del motor y alineando los tres orificios de tornillo en el asa (F) con los orificios en el volante central; asegura con tornillos (AA).
- Asegúrate de que todos los tornillos están firmemente apretados.
- Repite estos pasos para ensamblar las aspas restantes.



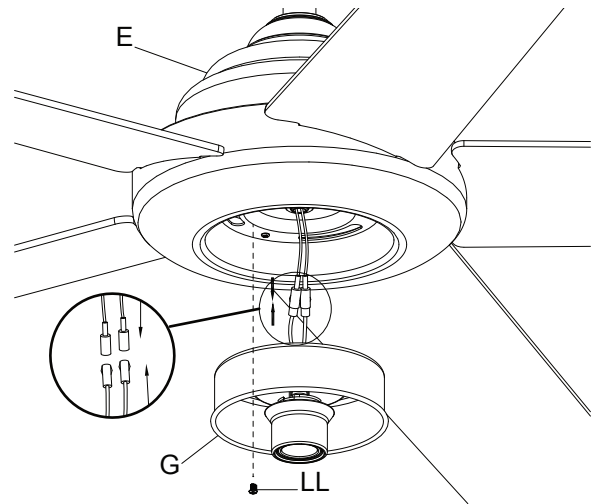
Ensamblaje - Cómo montar los accesorios

1 Cómo instalar el conjunto del soporte del kit de luces



PRECAUCIÓN: Para disminuir el riesgo de descarga eléctrica, desconectar el circuito de energía del ventilador antes de instalar el kit de luces.

- Quita un tornillo (LL) del soporte negro debajo del conjunto motor-ventilador (E) y afloja los otros dos tornillos, pero sin quitarlos.
- Conecta los cables del conjunto ensamblado del soporte del kit de luces (G) a los cables del conjunto motor-ventilador (E) juntando los enchufes de adaptador moldeado. Coloca con cuidado todos los cables y empalmes dentro de la caja del interruptor.
- Empuja el conjunto del soporte del kit de luces (G) hacia el conjunto motor-ventilador (E) de manera que las cabezas de los dos tornillos aflojados encajen en los orificios tipo ojo de cerradura. Gira el conjunto del soporte del kit de luces (G) hacia la derecha para asegurar.
- Vuelve a instalar el tornillo retirado en el primer paso.
- Asegúrate de que todos los tornillos están firmemente apretados.

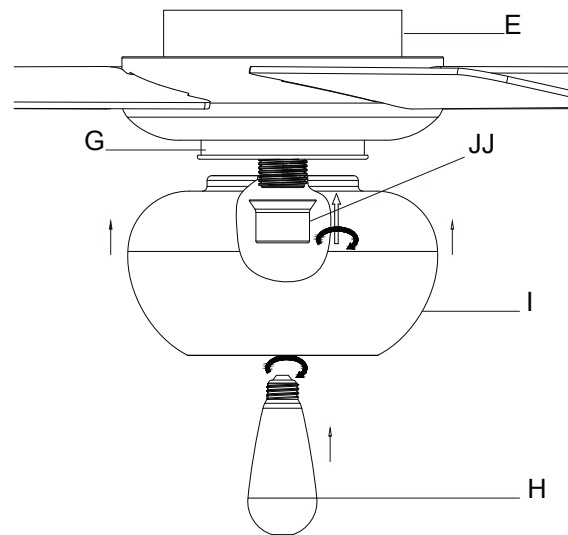


2 Cómo instalar la pantalla



ADVERTENCIA: No aprietes demasiado al instalar la pantalla en el conjunto ensamblado del kit de luces. Deja que la pantalla se enfríe completamente antes de retirarla.

- Desenrosca la cubierta (JJ) del portabombillas del conjunto del soporte del kit de luces (G) y guárdala para usarla más tarde.
- Coloca el tazón de vidrio (I) en el conjunto ensamblado del soporte del kit de luces (G) y enrosca enseguida la cubierta del portabombillas (JJ) en este último para asegurar bien el tazón de vidrio (I).
- Con la electricidad apagada, instala las bombillas (H) enroscándolas en el portabombillas.



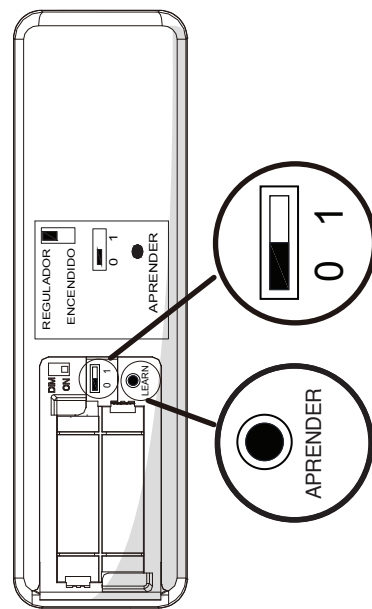
Cómo preparar el control remoto

Cómo configurar el control remoto



NOTA: Para tu conveniencia, el control remoto viene ya emparejado con el ventilador de techo. Si tienes dos ventiladores del mismo modelo en tu hogar, sigue los pasos más abajo para controlar cada uno por separado.

- ❑ Desliza el interruptor del compartimiento de las baterías a la configuración “1”.
- ❑ Confirma que la electricidad del ventilador está cortada en el interruptor de pared o en la caja del cortacircuitos.
- ❑ Conectar la electricidad al ventilador usando el interruptor de pared o la caja del cortacircuitos.
- ❑ Presionar sostenidamente el botón “Learn” en el compartimiento de la batería del control remoto y soltarlo antes de que pasen 30 segundos.
- ❑ Si la configuración es exitosa, el kit de luces del ventilador parpadeará y las aspas comenzarán a girar.



Cómo configurar la función de luz en tu control remoto

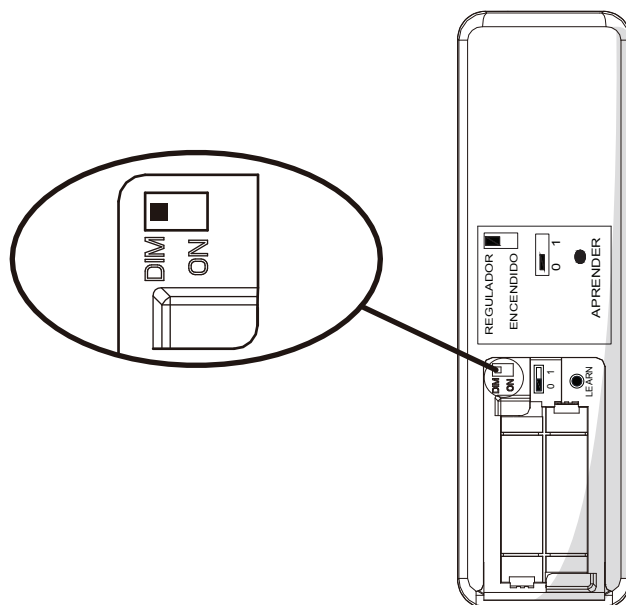


NOTA: La batería se debilitará con el tiempo y deberá cambiarse antes de que se produzca alguna fuga, ya que esto dañaría el control remoto. Mantén la batería fuera del alcance de los niños y deséchala adecuadamente tras agotarse.



NOTA: El interruptor marcado con ON/DIM controla la función de regulación de intensidad de las luces: Con bombillas no regulables usa un bolígrafo de punta redonda o destornillador pequeño para poner el interruptor en la posición ON (encendido) y desactivar la función de regulación de intensidad. Con bombillas regulables pon el interruptor en la posición DIM para activar la función de regulación de intensidad.

- ❑ Quita la cubierta de la batería presionando con firmeza sobre la flecha y deslizando la cubierta hasta liberarla.
- ❑ Si tu ventilador tiene un kit de luces con bombillas de intensidad regulable, desliza el interruptor de la posición “on” a “dim” (para las bombillas de intensidad no regulable, el interruptor tiene que estar en la posición “on”).
- ❑ Instala dos baterías AAA de 1.5 V (K).
- ❑ Coloca de nuevo la cubierta en el control remoto.



Cómo usar tu ventilador y control remoto


1. Botón  del ventilador. - Presiona y suelta el  botón para encender o apagar el ventilador.

- ❑ Ventilador encendido. La función de memoria del ventilador reiniciará la velocidad configurada antes de haberse cortado el suministro de electricidad. La barra de luz LED mostrará la configuración actual durante 5 segundos después que sueltes el botón.
- ❑ Ventilador apagado. La función de memoria del ventilador guardará la configuración actual para la próxima vez en uso.



NOTA: Al arrancar, su ventilador de techo oscilara de un lado a otro. Esta es una OPERACION NORMAL para un ventilador de techo de CC a medida que pasa por su ciclo de calibración. El ventilador NO ES DEFECTUOSO.



NOTA: Si estás usando el modo Comfort Breeze™, al presionar el botón  se cancelará Comfort Breeze™ y se reiniciará el funcionamiento normal del ventilador.



NOTA: Tienes que encender el ventilador antes de usar la función del temporizador.

2. Funciones de velocidad

El botón + aumenta la velocidad del ventilador

- ❑ Al presionar y soltar el botón + una vez, la velocidad del ventilador aumentará. Cada incremento en la configuración hará que la barra de luz LED se ilumine un poco más hasta que el ventilador haya alcanzado la configuración de máxima velocidad posible. En ese momento, la barra LED estará completamente iluminada.
- ❑ Al mantener oprimido el botón + la velocidad del ventilador se incrementará automáticamente a través de la configuración de velocidades y los incrementos se reflejarán en la barra de luz LED. Cuando la barra de luz LED esté completamente iluminada, el ventilador ha alcanzado la configuración máxima de velocidad.
- ❑ Si presionas el botón + en el modo Comfort Breeze™, Comfort Breeze™ se cancelará automáticamente y se reiniciará el funcionamiento normal del ventilador.

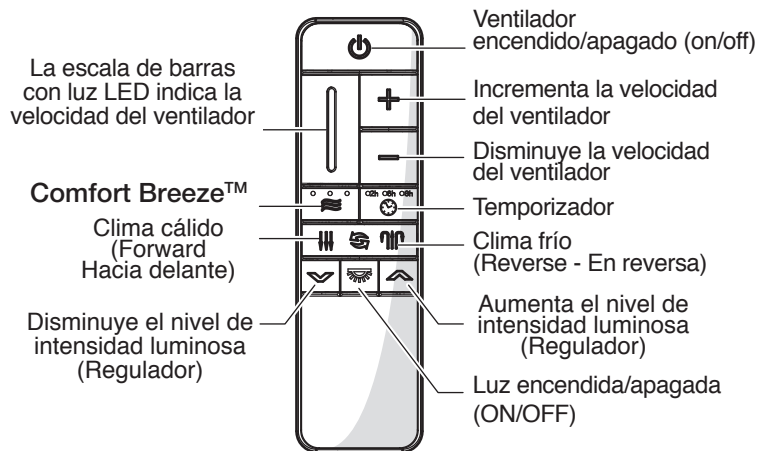
El botón - reduce la velocidad del ventilador

- ❑ Al presionar y soltar el botón - una vez, la velocidad del ventilador disminuirá. Cada descenso en la configuración hará que la barra de luz LED disminuya su intensidad un poco más hasta que el ventilador haya alcanzado la configuración de mínima velocidad posible. En ese momento, la barra LED estará iluminada al 25% aproximadamente.
- ❑ Al mantener oprimido el botón - la velocidad del ventilador disminuirá automáticamente a través de la configuración de velocidades y las disminuciones se reflejarán en la barra de luz LED. Cuando la barra de luz LED esté iluminada al 25%, el ventilador ha alcanzado la configuración mínima de velocidad.
- ❑ Si presionas el botón - estando en modo Comfort Breeze™, se cancelará automáticamente Comfort Breeze™ y se reiniciará el funcionamiento normal del ventilador.

3. Comfort Breeze™

Hay tres configuraciones de Comfort Breeze™. Al presionar el botón , se activará el modo Comfort Breeze™.

- ❑ Configuración 1: Alterna entre las velocidades 1 a 3 y la barra de luz LED deberá iluminarse al 33% aproximadamente.
- ❑ Configuración 2: Alterna entre las velocidades 1 a 6 y la barra de luz LED deberá iluminarse al 66% aproximadamente.
- ❑ Configuración 3: Alterna entre las velocidades 1 a 9 y la barra de luz LED deberá iluminarse completamente.



Cómo usar tu ventilador y control remoto

4. Temporizador ⌚

- Al presionar el botón Timer, el ventilador y la luz (si está encendida) se apagarán automáticamente después de 2, 4 u 8 horas. Cuando activas el modo Timer, se iluminará la luz LED a la izquierda del tiempo por encima del reloj en la parte superior.



5. Botón de reversa del ventilador (Tiene que presionarse cuando el ventilador esté funcionando)

- Clima cálido: ☰ La barra de luz LED se iluminará y las luces irán de arriba hacia abajo.
- Clima frío: ☷ La barra de luz LED se iluminará y las luces irán de abajo hacia arriba.

6. Luz ☀

- Oprime y suelta el botón Light para encender o apagar la luz.
- Luz encendida: La función de memoria del ventilador reiniciará la configuración de luz (encendida, apagada o regulada) antes de haberse cortado el suministro de energía.

7. Regulador de intensidad

- Presiona ⤴ para incrementar el nivel de luz deseado.
- Presiona ⤵ para reducir el nivel de luz deseado.

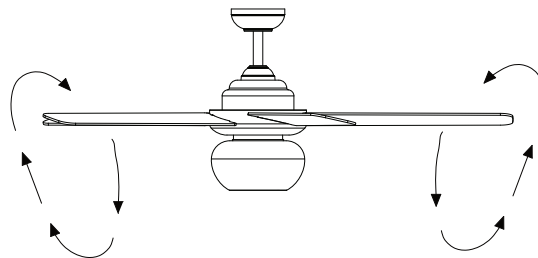
Control Remoto: Tu nuevo ventilador de techo está equipado con un control remoto para operar su velocidad y luces.

Las configuraciones de velocidad para clima cálido o frío dependen del tamaño de la habitación, altura del techo, cantidad de ventiladores y otros factores.

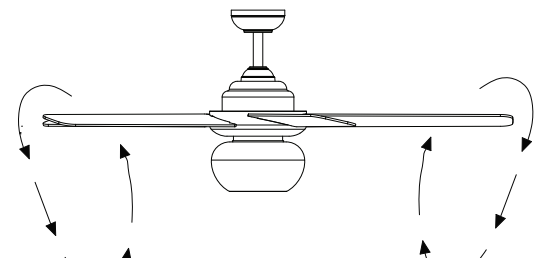
A. Clima cálido - (Hacia adelante) Un flujo de aire descendente surte un efecto refrescante. Esto permite fijar tu aire acondicionado en configuración más alta sin afectar tu comodidad.

B. Clima frío: (Reversa) Un flujo de aire hacia arriba desplaza el aire cálido del techo. Esto permite fijar la unidad de calefacción en configuración más baja sin afectar tu comodidad.

A. Clima cálido



B. Clima frío



NOTA: No esperes a que el ventilador se detenga antes de presionar el botón de reversa. Si el ventilador no está en movimiento, no cambiará de dirección.

Mantenimiento y limpieza



ADVERTENCIA: Asegura que la fuente de corriente está apagada antes de limpiar el ventilador.

- Debido al movimiento natural del ventilador, algunas conexiones pueden aflojarse. Revisa dos veces al año las conexiones de soporte, los soportes y los accesorios de las aspas. Comprueba que estén seguros. No es necesario desmontar el ventilador del techo.
- Hay que limpiar el ventilador con frecuencia para que luzca como nuevo al paso de los años. No usar agua al limpiarlo. Esto puede dañar el motor o la madera e incluso provocar descarga eléctrica. Usa sólo un cepillo suave o un paño sin pelusas para evitar arañar el acabado.
- Puedes aplicar a la madera una fina capa de pulimento para muebles y dar así más protección y belleza. Cubre los arañazos diminutos con una ligera aplicación de lustrador para calzado.
- No necesitas lubricar tu ventilador. El motor tiene cojinetes de bola sellados y permanentemente lubricados.

Solución de problemas

Problema	Solución
El ventilador no enciende.	<ul style="list-style-type: none">□ Verifica los fusibles o cortacircuitos principales y secundarios.□ Verifica las conexiones de cables en línea al ventilador y las conexiones de cables del interruptor en la caja correspondiente.□ Revisa la batería del control remoto.□ Asegura que estés en el rango normal de 10 a 20 pies (3 a 6 metros).□ Recuerda desconectar la electricidad antes de verificar las configuraciones del interruptor.
El ventilador hace ruido.	<ul style="list-style-type: none">□ Garantiza que todos los tornillos de la carcasa del motor estén ajustados.□ Garantiza que los tornillos que unen el soporte de aspa al cuerpo del motor estén bien apretados.□ Garantiza que las conexiones de tuerca de cable no choquen unas con otras ni con la pared interior de la caja del interruptor.□ Deja que pasen 24 horas como período de “adaptación”. La mayoría de los ruidos asociados a un ventilador nuevo desaparecen en ese lapso.□ Si usas el kit de luces de ventilador de techo, asegura que los tornillos que sujetan el vidrio estén bien apretados. Verifica que las bombillas también estén aseguradas.□ Garantiza que la cubierta esté a corta distancia del techo. No debe tocar el techo.□ Asegura que la caja eléctrica quede bien ajustada y que se hayan instalado almohadillas aislantes de hule entre la placa de montaje y la caja eléctrica.
El ventilador oscila.	<ul style="list-style-type: none">□ Verifica que todas las aspas y los tornillos de sus brazos estén bien ajustados.□ La mayoría de los problemas de oscilación del ventilador se deben a que las aspas no están al mismo nivel. Verifica este nivel seleccionando un punto en el techo sobre la punta de una de las aspas. Mide desde un punto en el centro de cada aspa a un punto en el techo. Rota el ventilador hasta que la siguiente aspa esté en posición para medir y mide desde el mismo punto en cada aspa hasta el techo. Repite el procedimiento para cada aspa. Las desviaciones de la medición no deben pasar de 1/8 plg (0.32 cm). Deja que el ventilador funcione durante diez minutos. Si el ventilador continúa oscilando, comunícate con el servicio al cliente y te enviarán un kit de compensación de aspas, sin costo alguno.
El ventilador se mueve hacia atrás y hacia delante al encenderse.	<ul style="list-style-type: none">□ Este es el procedimiento normal de arranque para ventiladores con motor de CC. El movimiento parcial durante el arranque resulta de que el motor de CC está alineando los polos magnéticos internos para su funcionamiento adecuado. Este diseño ahorra electricidad y permite que el ventilador funcione más silenciosamente que los ventiladores estándar con motor de CA.

Este equipo fue sometido a prueba y se determinó que cumple con los límites establecidos para un dispositivo digital Clase B según la Parte 15 de las Normas FCC. Estos límites fueron establecidos para dar protección razonable contra la interferencia dañina en uso residencial. Este equipo genera, consume y puede irradiar energía de radiofrecuencia; si no se instala y usa de acuerdo con las instrucciones, puede causar interferencia nociva a comunicaciones radiales. Sin embargo, no hay garantía de que no ocurrirá interferencia en cierta instalación particular. Si este equipo causa interferencia perjudicial a la recepción de radio o televisión, que puede determinarse encendiendo y apagando el equipo, se recomienda al usuario tratar de corregir la interferencia con una o más de las siguientes medidas:

- Reorientar o reubicar la antena receptora.
- Incrementar la distancia entre los equipos y el receptor.
- Conectar el equipo a un tomacorriente en circuito distinto del receptor.
- Consultar al concesionario o a un técnico de radio/TV con experiencia para ayuda.

PRECAUCIÓN:

Los cambios o modificaciones sin aprobación expresa del responsable de este dispositivo podrían anular el derecho del usuario a operar el equipo. Este dispositivo cumple con la Parte 15 de las Normas FCC. Su operación está sujeta a las dos condiciones siguientes: (1) Este dispositivo no debe causar interferencia dañina y (2) tiene que aceptar cualquier interferencia recibida, incluyendo aquella que pudiera afectar su funcionamiento.

HOME DECORATORS COLLECTION

¿Preguntas, problemas o piezas faltantes? Antes de devolver a la tienda, llama al servicio al cliente de The Home Decorators Collection de lunes a viernes, entre 8:00 a.m. y 7:00 p.m. (hora del Este), y los sábados de 9:00 a.m. a 6:00 p.m. (hora del Este).

1-800-986-3460

HOMEDEPOT.COM/HOMEDECORATORS

Conserva este manual para uso futuro.