



MISSING A PART?

There is no need to return this item to the store.
Instead call our TOLL FREE HOTLINE:

1-800-253-1561

We appreciate your purchase of the folding HyLoft Folding TireLoft™. Knap & Vogt has made every effort to supply a quality product that insures a lifetime of trouble-free service. In the event that you have any type of problems, and BEFORE RETURNING THE UNIT TO THE SELLER, please call our toll free number 1-800-253-1561.

HyLoft Folding TireLoft™ Limited Warranty

Knap & Vogt warrants this product against defects in the material or workmanship for the life of the product. Knap & Vogt agrees to either repair the product or replace it at the sole discretion of Knap & Vogt. This warranty does not include any costs associated with the physical installation, removal, or return of the HyLoft Folding TireLoft™.

This warranty is valid and enforceable provided that the maximum weight supported by each HyLoft Folding TireLoft™ does not exceed 300 pounds, when mounted directly to the Wall Studs and weight load is evenly distributed. The customer, installer, and/or dealer, releases us of all claims, which includes the HyLoft Folding TireLoft™ and the structure it is attached to, if the loaded weigh exceeds 300 pounds. The unit must also be installed according to the manufacturer's instructions. At no time should you install more than one unit on any two wall studs. All fasteners must be checked and tightened at least once annually.

Only the original purchaser of this product is extended this warranty. No warranty work will be provided under this warranty without purchaser's original receipt or other proof of the date of the original purchase acceptable to Knap & Vogt. Proof of the date of purchase must be provided to Knap & Vogt if the product is returned.

This Knap & Vogt limited warranty covers product failure due to defects in materials or workmanship ONLY! It does not cover corrosion, rust or discoloration of it's components, or product failure due to misuse, abuse, faulty installation, alteration, lack of reasonable care, or any other failure not related to the defects in materials or workmanship.

There are NO other warranties expressed or implied except those stated herein as required by applicable law.

KNAPE & VOGT SHALL NOT BE LIABLE FOR INCIDENTAL, SPECIAL, OR CONSEQUENTIAL DAMAGES RESULTING FROM THE USE OF THE PRODUCT OR ARISING OUT OF ANY BREACH OF THIS WARRANTY.

ALL IMPLIED WARRANTIES, IF ANY, INCLUDING IMPLIED WARRANTIES OR MERCHANTABILITY AND FITNESS FOR A PARTICULAR PURPOSE, ARE LIMITED TO THE DURATION OF THIS WARRANTY.

Some states do not allow the exclusion or limitation of incidental or consequential damages, or limitations on how long an implied warranty lasts, so the above exclusions or limitations may not apply to you. No other warranty, written or verbal, will be honored for this product. This warranty gives you the specific legal rights and you may also have other rights that vary from state to state.

Knap & Vogt is not responsible for damages of merchandise in transit. Repaired or replaced products shall be subject to the terms of this warranty, to be inspected by Knap & Vogt prior to return shipment. Damages incurred during transit should be reported at once to the carrier and a claim should be filed with them.

Knap & Vogt®
Grand Rapids, MI 49505 U.S.A.

**For more information, accessories, and frequently asked questions, visit the HyLoft website:
www.HyLoft.com**



ASSEMBLY INSTRUCTIONS

Folding TireLoft™

MISSING A PART?

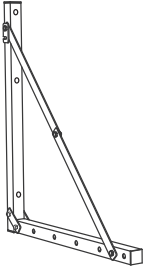
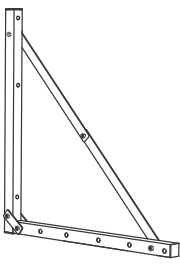

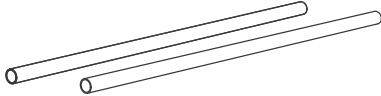


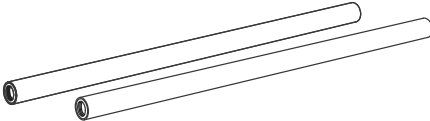
There is no need to return this item to the store.
Instead call our TOLL FREE HOTLINE:

1-800-253-1561

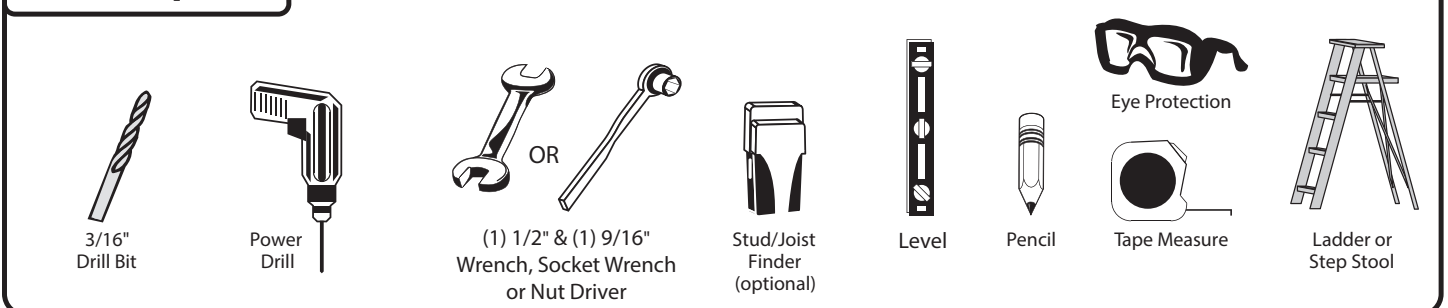


Parts Included:

IMPORTANT: Read through entire instructions before beginning any installation. Check to make sure that you have all the parts and tools required.

<p>A Left Bracket</p> 	<p>B Right Bracket</p> 	<p>C (6) Lag Screws 5/16" x 3"</p>  <p>Use 1/2" Wrench</p>	<p>D (2) 1-1/8" dia. Round Tubes</p> 
<p>F (4) Hex Bolts 3/8" x 2"</p>  <p>Use 9/16" Wrench</p>		<p>G HyLoft Sticker</p> 	<p>E (2) 2-7/8" dia. Round Tubes</p> 

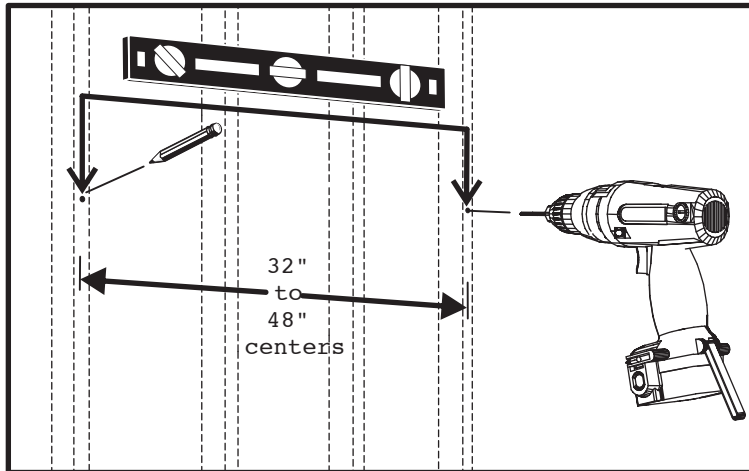
Tools Required:



Installation time: Approximately 30 minutes.

Important: Read through entire instructions before beginning any installations.

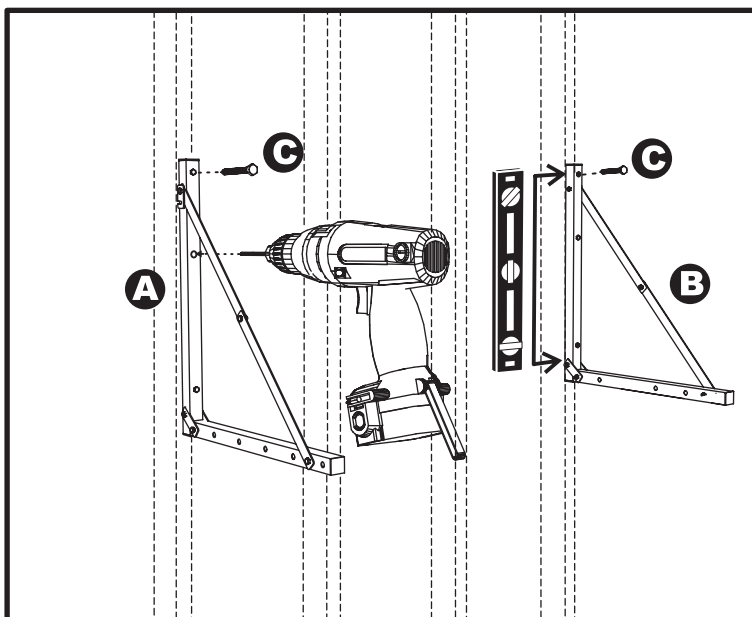
1. Mounting the Upright Supports to the Wall Studs



1A: Using a stud-finder, locate 2 wall studs that are 32" to 48" on center. Using a pencil, mark the top mounting hole centers. Make sure holes are level. Pre-drill the 2 marked holes using a 3/16" drill bit.

IMPORTANT: Unit MUST be installed into wall studs. Do not use wall anchors for mounting directly to sheet rock.

IMPORTANT: Do not over-tighten the Lag Screws (max 10 ft. lbs.). They only need to be fully seated, no more. Do not use an impact driver.

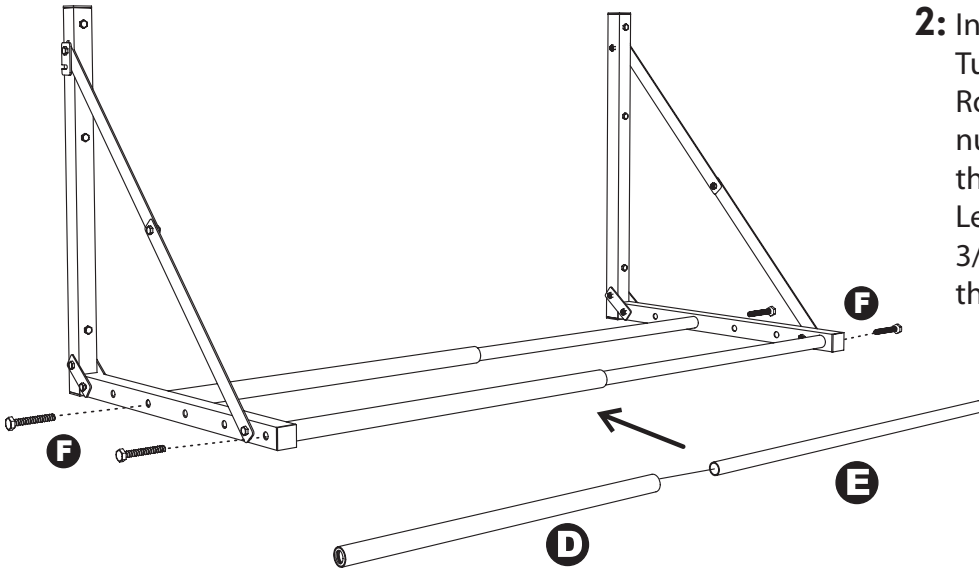


1B: Mount the Vertical Tubes of the Left & Right Brackets (A&B) with Lag Screws (C), using a 1/2" nut driver or socket wrench, making sure the holes are positioned as shown.

Do not fully tighten the top screws at this time.

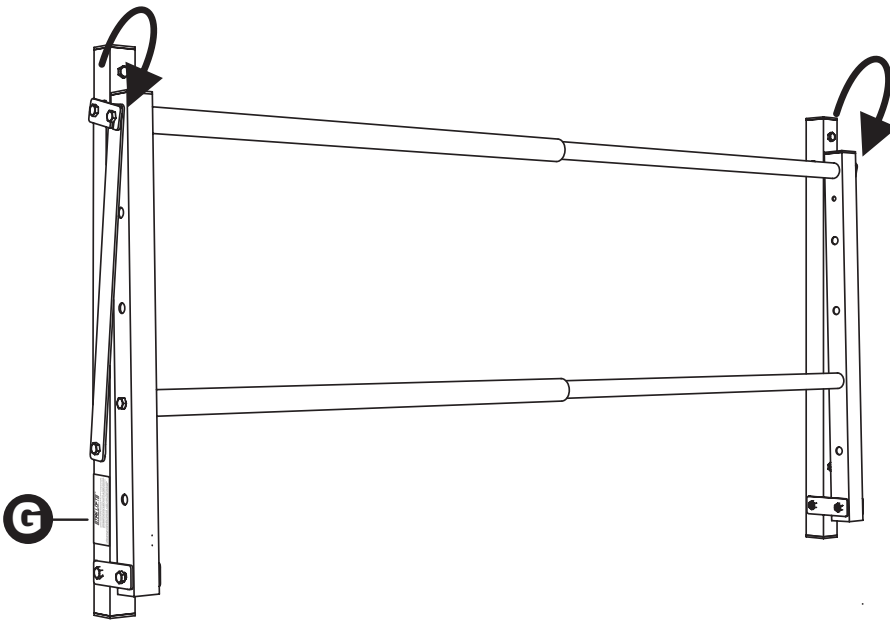
Make sure that the Vertical Tubes of the Left & Right Brackets (A&B) are vertically level, then drill through the remaining 2 holes in each Bracket (A&B). Fasten with remaining Lag Screws (C) and fully tighten all of the Lag Screws (C).

2. Attach the Round Tubes



2: Insert the smaller diameter Round Tubes (E) into the larger diameter Round Tubes (D). Using a 9/16" nut driver or socket wrench, fasten them to the horizontal tubes of the Left & Right Brackets (A&B) with 3/8" x 2" Hex Bolts (F), in the position that best supports your tires.

3. Tighten, Adjust & Fold



3: Make sure that all Fasteners are fully tightened and if necessary, adjust tightness so that the unit folds easily for storage. Store the unit in a folded position by locking it closed with the side hooks, as shown.

Adhere The HyLoft Sticker (G) for convenient access to contact information.

Each unit can hold a maximum of 300 lbs (136 kg) when mounted directly to wall studs and the weight load is evenly distributed.

Verify all connections at least once per year in order to ensure that they are fastened securely.