



# ACACIA

Made in the USA

## Gazebo Top Replacement

### 14ft Replacement Tops

070615V



Customer Service: (877) 373-3078 Email: [customerservice@rsiww.com](mailto:customerservice@rsiww.com)  
After Hours Helpline: (443) 574-4764

**Riverstone**   
"Green Products for a Brighter Future"

40 Richboynton Road, Dover, NJ 07801

## Thank You for your Purchase

We want to thank you for your purchase of the ACACIA Gazebo Program. We appreciate your support of our American Made Gazebos .

The ACACIA Gazebo is designed for the average homeowner; no special degrees are needed. The time to assemble depends on the weather, skills, options, and number of helpers you have in the process. All the pieces are cut to size and should fit snug, BUT if something is not working please reach out to our help lines so we can make sure that there are no delays in the process. We are not only employees of Riverstone but owners of ACACIA Gazebos and can help you through the process and hopefully keep the frustration levels down if a question comes up.

We would like to take a moment to remind you as the new owner of an ACACIA Gazebo a few things to increase the life of your greenhouse.

- The dual roof canopy is designed to allow for air and gusts to escape out and not destroy or lift the gazebo off the ground. Please make sure that the Gazebo is attached to the ground correctly. Because there are different surfaces that the ACACIA Gazebo can go on we include attachments for concrete, wood, and grass/ ground.
- In the winter months or windy season it is very important that the canopies be removed. They are made from a high quality American milled, dyed, cut and sewn factory but in high winds there is a high likelihood of damage which is not covered under warranty.
- Removal of and installation of the large canopy is made simpler with our unique 4 corner adjustable system. Over time, the canopy will naturally stretch from sun, and wind. Make sure to periodically check and adjust the corners to a tighter position accordingly to get the maximum life out of your canopy.
- It is also a good practice to clean the canopies off. Nothing too harsh is needed, usually a garden hose is enough to wash the canopy down and if needed, warm soapy water can be used.
- In the beginning, periodically check and tighten as needed the hidden bolts to assure they are snug. The bolts could loosen over time from winds rocking the frame back and forth. Better to be safe than sorry.
- The ACACIA Gazebo is designed primarily to extend the outdoor use of your home during warmer months. The roof is not designed to support snow and ice and will surely damage or even destroy the ACACIA Gazebo. The Top needs to be removed during these months when snow is possible for both safety and liability issues.
- Should the time come when you are ready for a replacement canopy our dealers stock a full line of replacement canopies in multiple colors. If they say ACACIA on the label they carry the same 7 year original OEM warranty.

Lastly, we are not perfect. We know that there are better ways to do things, we just need some suggestions from our customer base as to what they are. Needless to say we are always open to feedback, good and bad, and we do react to feedback. Please, if there is an option you do not see that you feel would make the greenhouse experience better, if there is a different way to explain a set-up process, or if there is anything else to help make ACACIA Gazebos better we want to hear from you.

Thank you again for your purchase and we hope you have many years of growing in your new ACACIA Greenhouse.

*David Schnurman*

Vice President

## **ACACIA Limited Warranty/ Liability**

### **Products to which this limited warranty applies:**

This limited warranty applies to the following models of your newly purchased ACACIA Gazebo: **All 12ft x 12ft & 14ft x 14ft dual canopy designed versions of these Gazebos.** This limited warranty applies only to purchases made in any province of Canada except for Yukon Territory, Nunavut, or Northwest Territories or in any of the 50 States of the USA (and the District of Columbia) except for Hawaii and Alaska. This limited warranty applies to the original purchaser of the product only and is not transferable.

### **What this limited warranty covers and for how long:**

Products covered by this limited warranty have been tested and inspected prior to shipment and, subject to the provisions of this warranty, Riverstone Industries warrants such products to be free from defects in material and workmanship for a period of 1 year from the date of the first purchase of such products.

The limited **7-year warranty** period for **ACACIA GAZEBO FRAMES** also applies to any implied warranties that may exist under applicable law. Some jurisdictions do not allow limitations on how long an implied warranty lasts, so the above limitation may not apply to the purchaser.

The limited warranty for the gazebo canopies follows the same guidelines as above and is covered for a **7-year** time span.

### **What this limited warranty does not cover:**

This limited warranty does not apply to products that have been repaired (except by Riverstone Industries or its authorized service representatives) or otherwise altered. This limited warranty does further not apply to defects resulting from misuse, abuse, accident, neglect, incorrect installation, improper maintenance or handling, or operation with an incorrect power source.

***Riverstone Industries is not responsible for personal time lost or paid for during the construction of its products due to missing or defective parts.***

### **What you must do to get service under this limited warranty:**

Defects must be brought to the attention of Riverstone Industries Technical Service by contacting Riverstone Industries at customerservice@RSIWW.com or 612-RVR-STNE (787-7863). Please have proof of purchase, catalog/model and serial numbers available when calling. Limited warranty service requires a proof of purchase of the product.

### **What Riverstone Industries will do in the event of a defect:**



In the event a product or part covered by this limited warranty is proven to be defective in material or workmanship during the 7-year limited warranty period for products, you have the following rights:

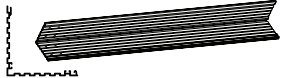

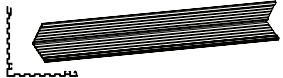
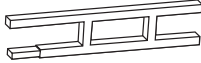


Riverstone Industries will in its sole discretion either repair or replace such defective product or part without charge. If Riverstone Industries is unable to repair or replace such product or part, or if repair or replacement is not commercially practicable or cannot be timely made, Riverstone Industries may, in lieu of repair or replacement, choose to refund the purchase price for such product or part.

Limited warranty service will be performed solely by dealers or service agents of Riverstone Industries authorized to provide limited warranty services.

# List of Parts

If any parts are missing or damaged, before beginning assembly contact Riverstone Customer Service at (877) 373-3078, email: customerservice@rsiww.com or After Hours Helpline: (443) 574-4764

Acacia 14ft Replacement Top Parts List (INCLUDED)							
Profile		#	QTY	Profile		#	QTY
	Large Canopy	CA-1	1		Small Canopy	CA-2	1

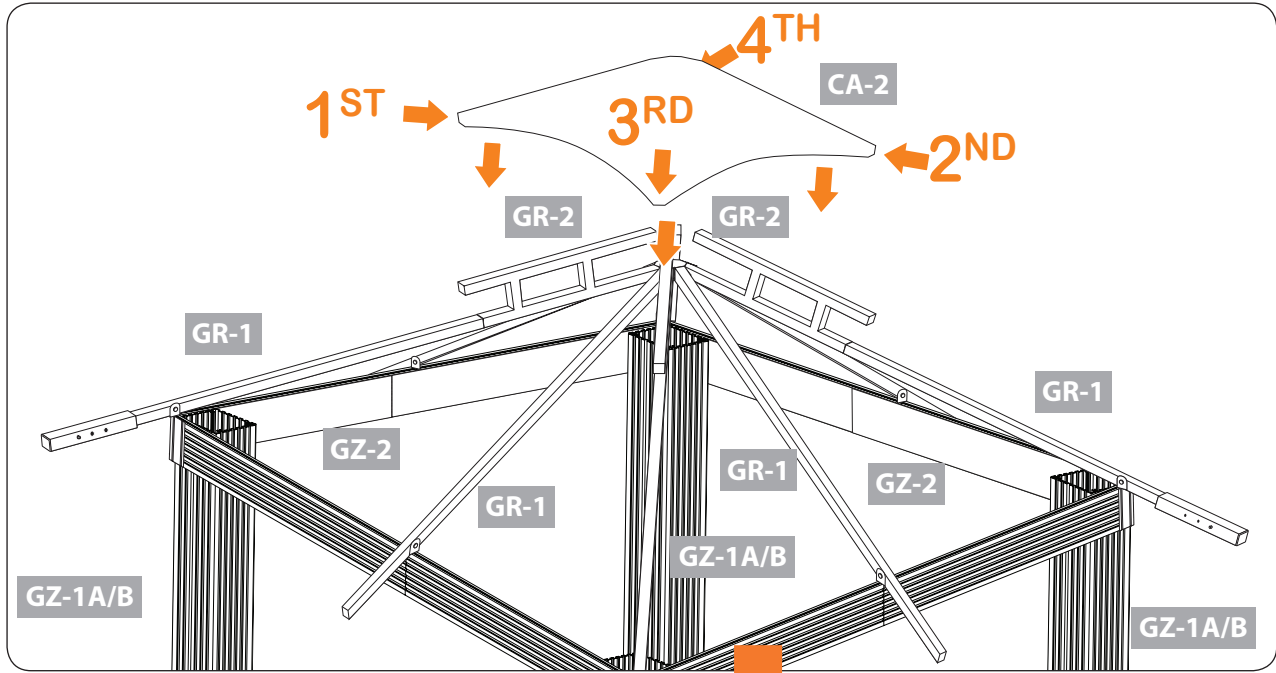
Acacia 12ft Replacement Top Parts List (NOT INCLUDED, reference only)							
Profile		#	QTY	Profile		#	QTY
	7" x 7" Half Column 87" punched	GZ-1A	—		1" Square Rafter 79-1/4"	GR-1	—
	7" x 7" Half Column 87" unpunched	GZ-1B	—		1" Square Welded Headers	GR-2	—
	7" x 1" Outside Header 63-3/4"	GZ-2	—		1-3/16 x 5" Adjustment Tube	GR-3	—

# Canopy Top Installation

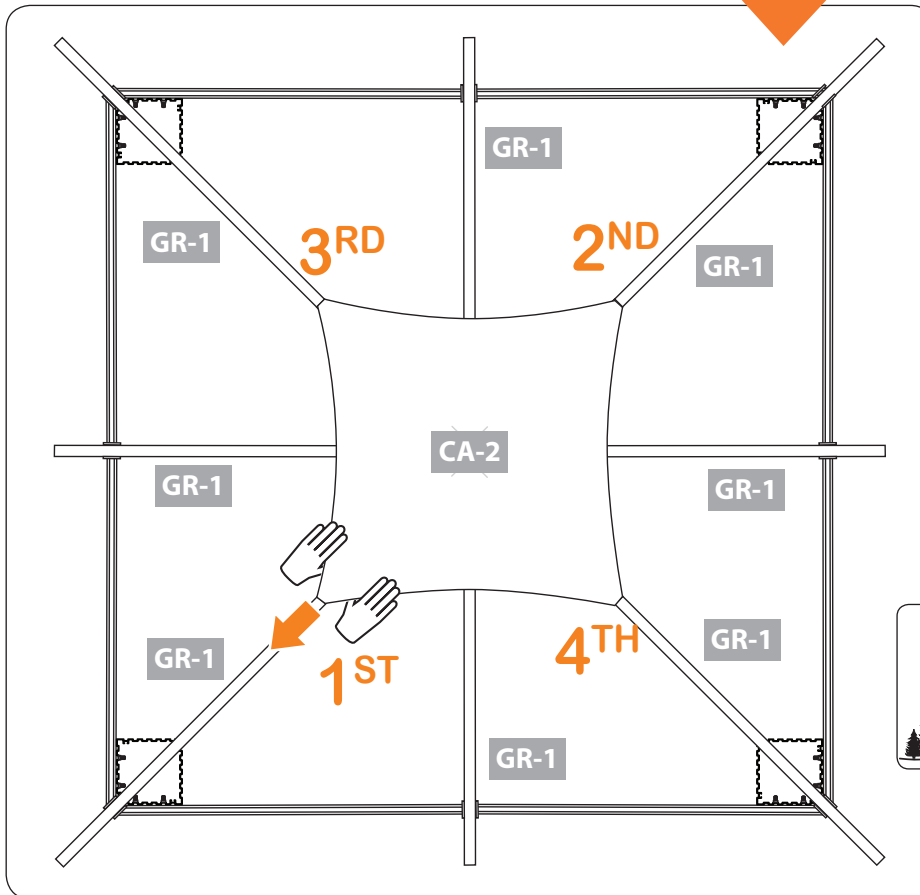



Make certain the pieces are in the correct positions before securing. Carefully follow the order of assembly to ensure an easy installation. Wear proper safety gear including work shoes, gloves and goggles.

1.1A

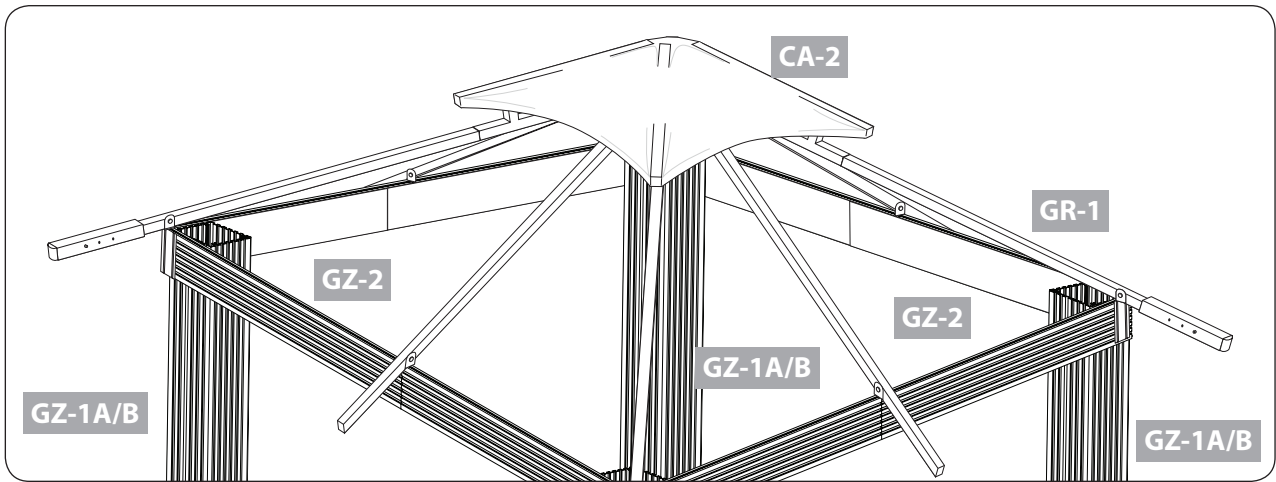


1.1B

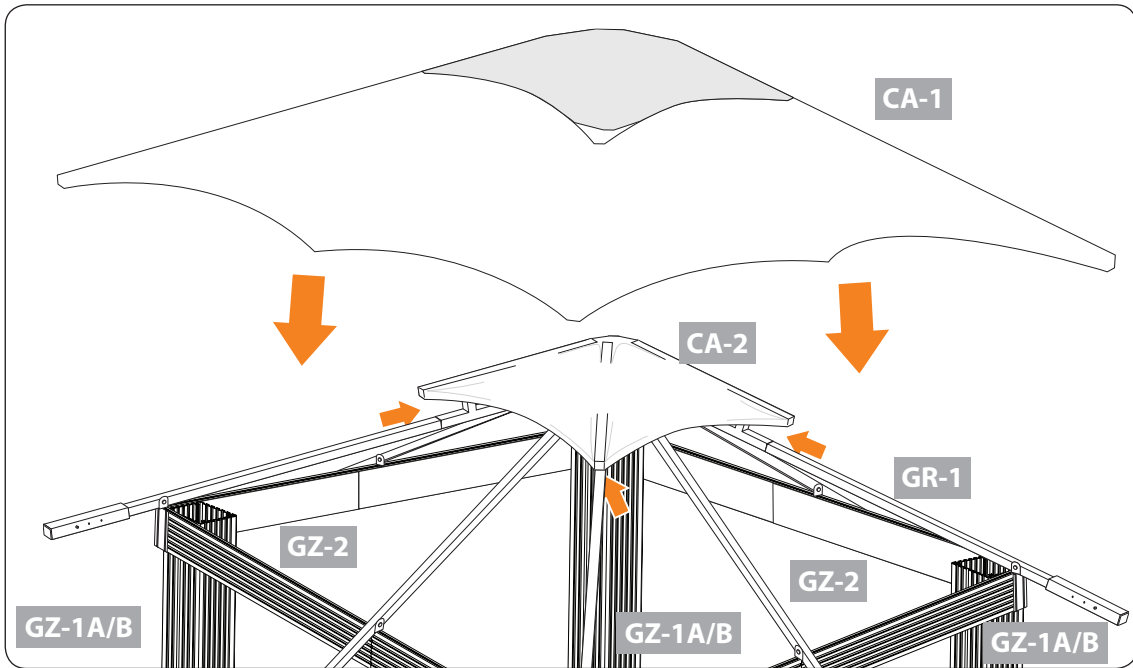


Canopy	QTY
	1

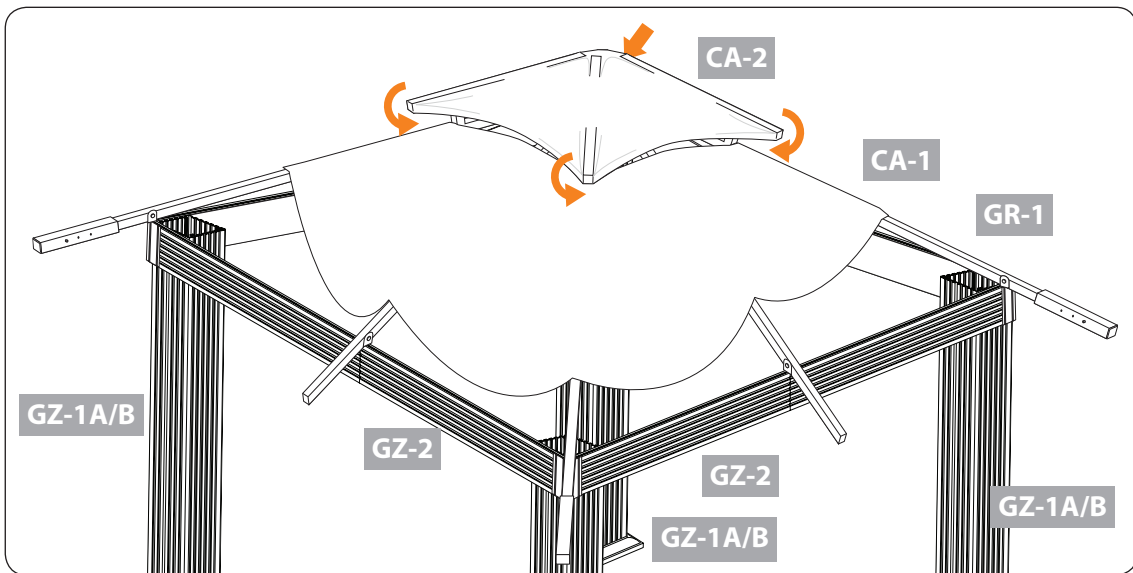
1.1C




1.2A

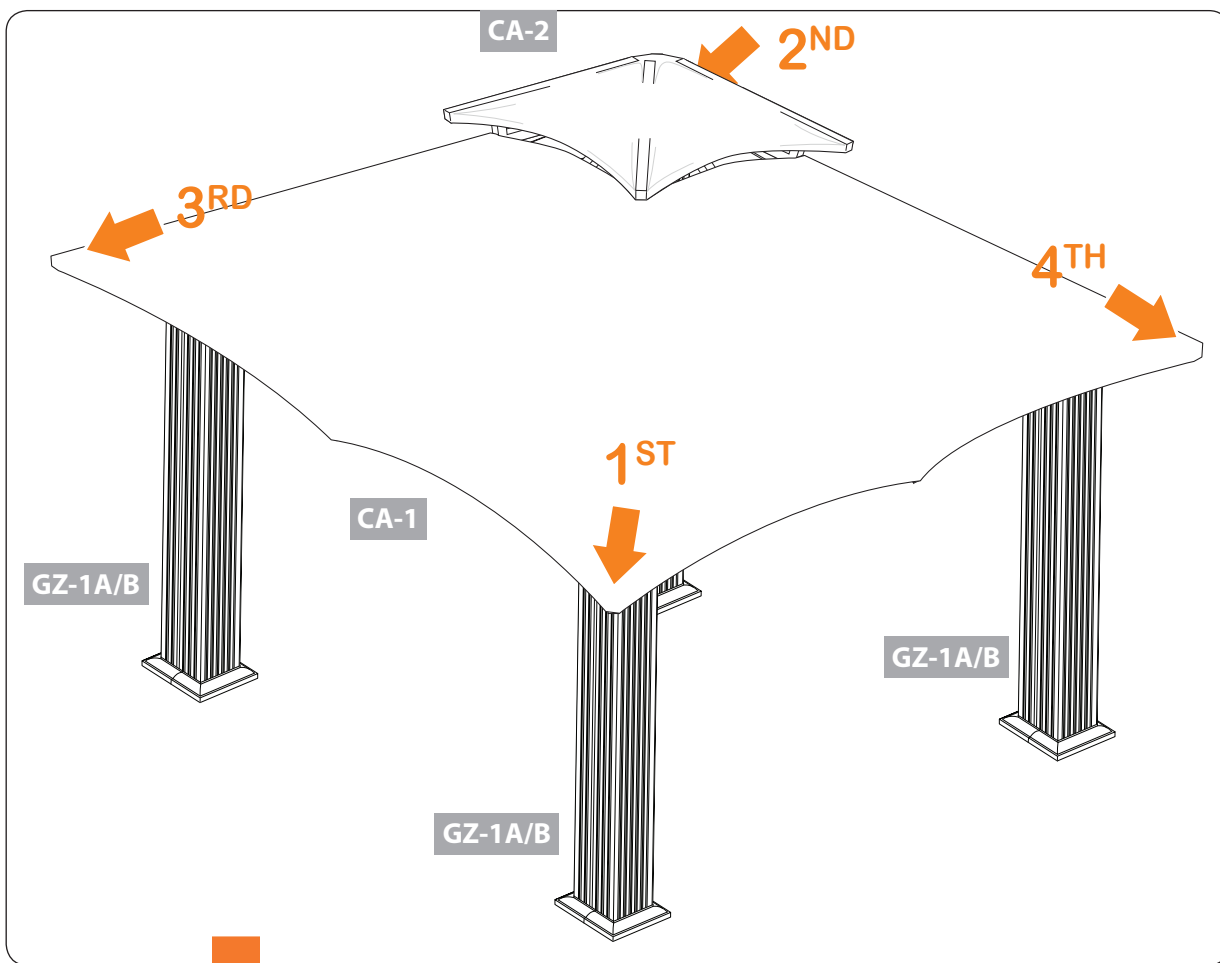


1.2B

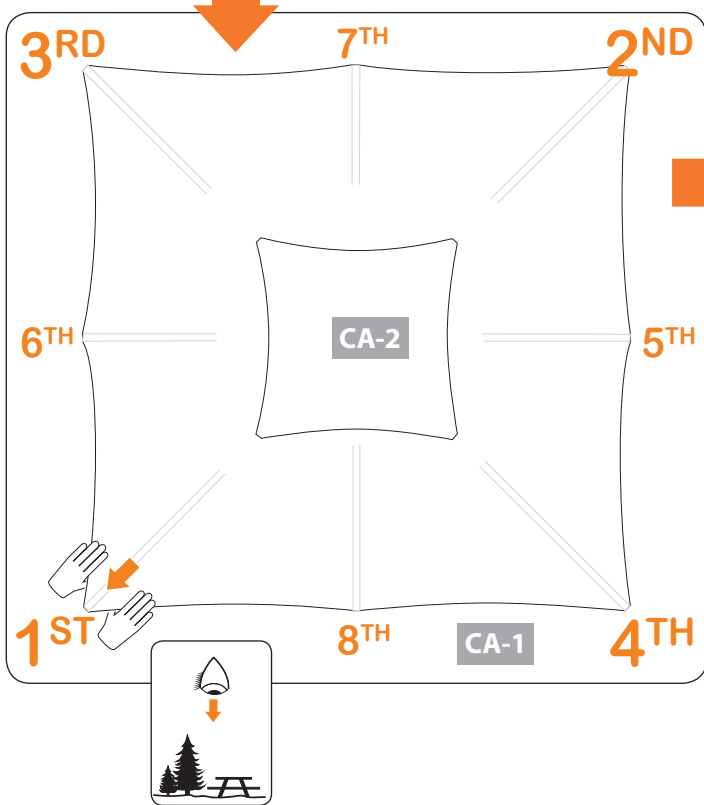


Canopy		QTY
	CA-1	1

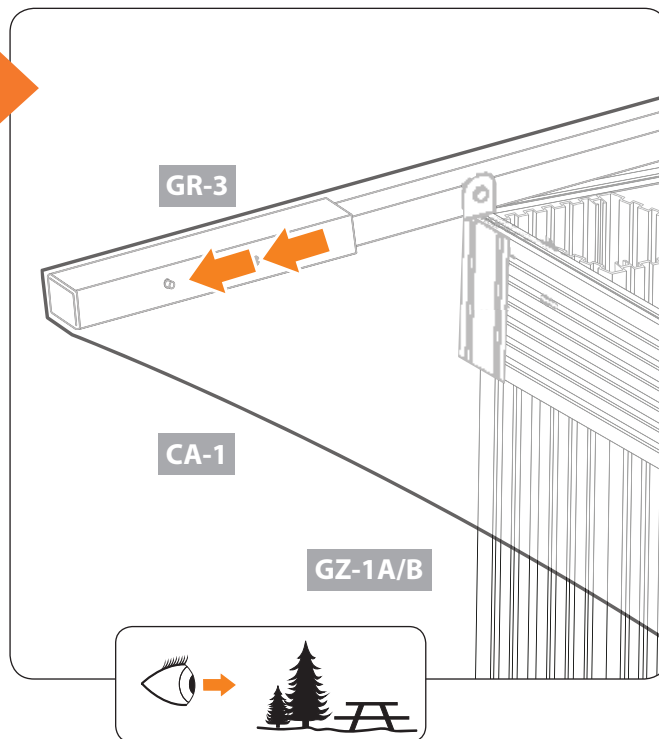
1.2C



1.2D



1.2E



1.2F (1.2E) X 4