



Thank you for selecting JELD-WEN® products. Attached are JELD-WEN's recommended installation instructions for hollow and solid core bi-fold doors. Bi-folds are designed for fast and easy installation and adjustment using common tools.

Read these installation instructions thoroughly before beginning. They are designed to work in most existing applications. However, existing conditions may require changes to these instructions. If changes are needed, they are made at the installer's risk. For installations other than indicated in these instructions, contact a building professional.

IMPORTANT INFORMATION AND GLOSSARY

Note to Installer: Provide a copy of these instructions to the building owner. By installing this product, you acknowledge the terms and conditions of the limited warranty as part of the terms of the sale.

GLOSSARY

Finished Opening

The resulting opening after any trim work is completed. Measure these dimensions for proper door fitting.

Lead Door

The panel or section without the pivoting hardware. On four panel assemblies, these are the two that meet in the middle.

Pivot Door


The panel or section that contains the pivoting hardware and supports the weight of the door assembly.

SAFETY AND HANDLING

- Read and fully understand ALL manufacturers' instructions before beginning.
- Use safe lifting techniques.
- Wear protective gear (e.g. safety glasses, gloves, ear protection, etc.).
- Operate hand/power tools safely and follow manufacturer's operating instructions.
- Heed material manufacturers' handling and application instructions.
- Store doors in a dry, well-ventilated building and on a flat and level surface.

- Do not subject interior doors to extremes of heat and/or humidity. Prolonged exposure may cause damage. Buildings where humidity and temperature are controlled provide the best storage facilities (recommended conditions 30%-50% Relative Humidity and 50°F to 90°F).
- Do not install doors in buildings that have wet plaster or cement unless they have been properly finished. Do not store doors in buildings with excessive moisture content - HVAC systems should be operating and balanced. Avoid sudden changes such as forced heat to dry out a building. Doors should not be delivered to the job site or installed until concrete floors, foundation, plaster or drywall are cured.
- Doors should always be handled with clean hands or while wearing clean gloves.
- Doors should be lifted and carried when being moved, not dragged across one another.
- Finish all six sides (both sides and all four edges) of the door slab, including cutouts for hardware. Failure to finish all six sides may result in the denial of warranty claims for operational or performance problems.

IF INJURY OCCURS, IMMEDIATELY SEEK MEDICAL ATTENTION!

Estimated Install Time	<input type="text"/>	First Time: 1 hr	
	<input type="text"/>	Experienced: ½ hr	

NEEDED MATERIALS AND TOOLS

FINISHING MATERIALS

Note! Follow all material manufacturers' instructions for proper use and compatibility.

- Rubber gloves
- Paint brush
- Sandpaper
- Drop cloth
- Paint (and primer for raw wood doors) or stain and wood conditioner
- Wood putty

TOOLS

- Hammer (applies only to certain hardware)
- Drill with bits
- Screwdrivers
- Safety glasses
- Tape measure

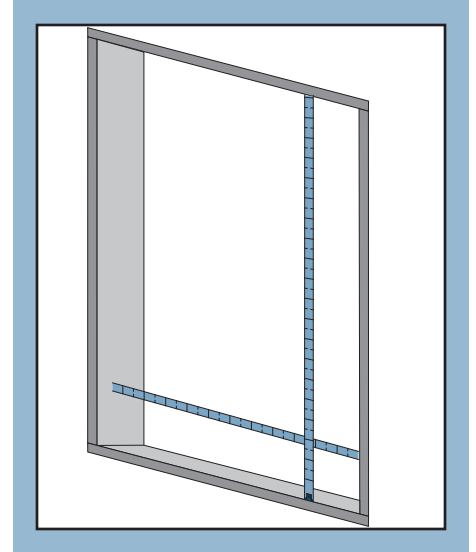
REMOVE PACKAGING, INSPECT DOOR AND FINISHED OPENING**REMOVE PACKAGING**

Remove shipping materials such as corner covers, shipping blocks or pads.

INSPECT DOOR

- Cosmetic damage
- Correct product (size, color, design, etc.)

- Measure height and width of finished wall opening. Width must be 1/2" larger than the bi-fold size. Height must be approximately 1 1/2" taller. If shorter, the bi-fold doors cannot be installed. If higher, shorten by nailing a wood strip at the top of the opening.
- Doors may be trimmed 1/4" on each side if necessary.

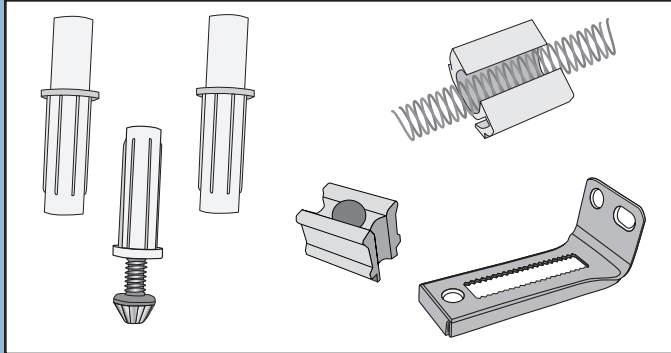


2

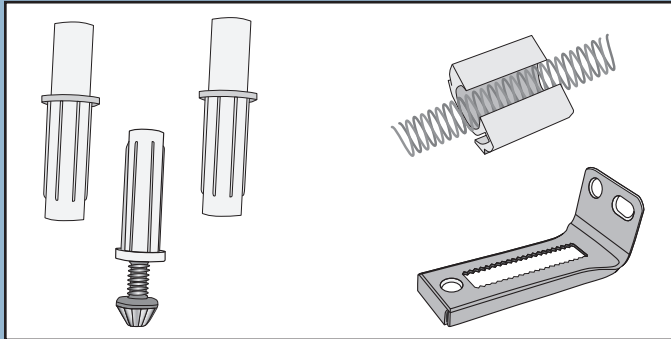
IDENTIFY HARDWARE TYPE

Open the hardware pack and compare the contents to the images on this page. They do not show everything in the hardware pack, but only what is necessary to properly identify a specific type of hardware. Go to the page number for the pictured hardware type that matches the contents of the hardware pack that came with the door and follow the installation instructions.

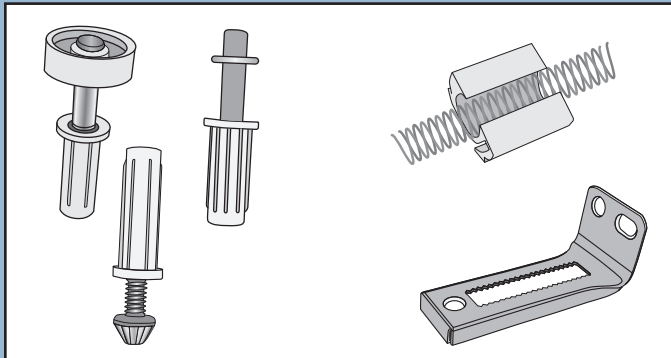
Type A1 - Page 5



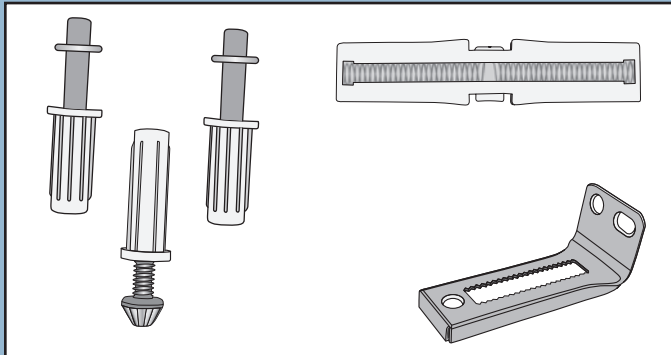
Type A2 - Page 5



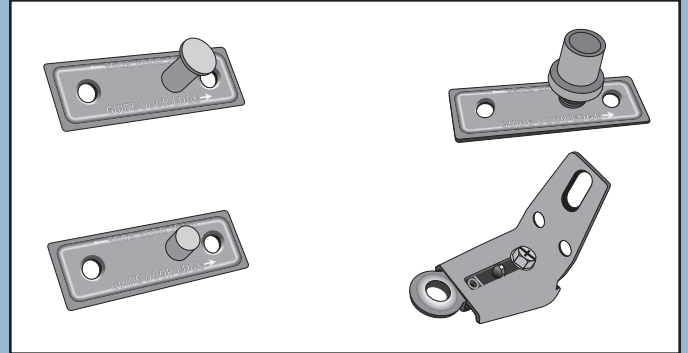
Type A3 - Page 5



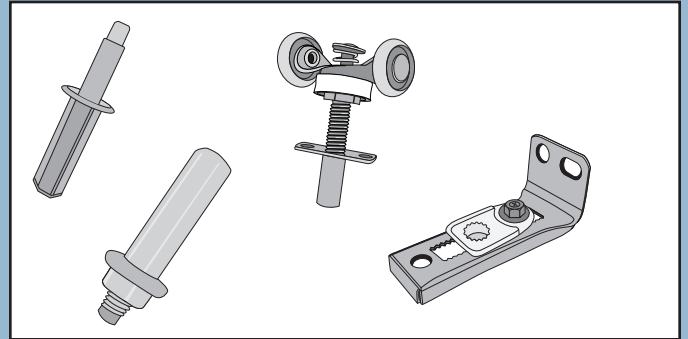
Type A4 - Page 5



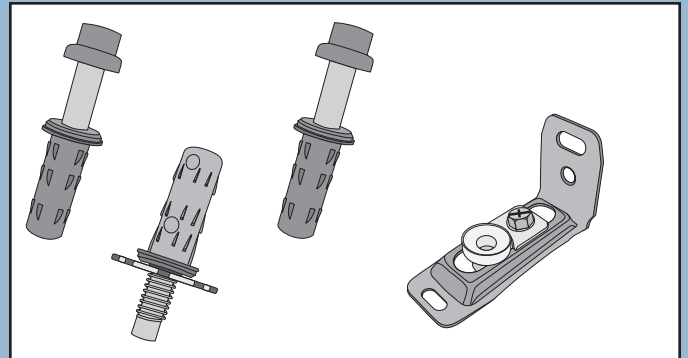
Type B - Page 6



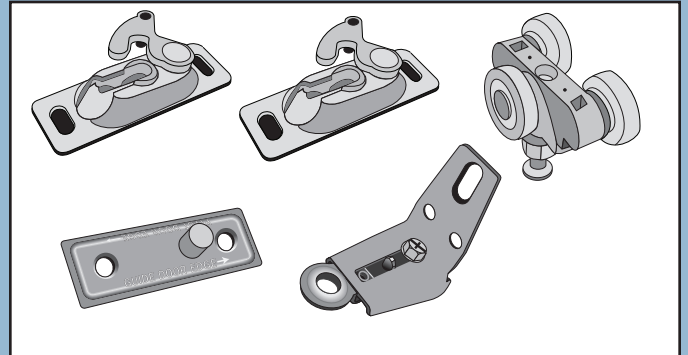
Type C - Page 7



Type D - Page 8



Type E - Page 9

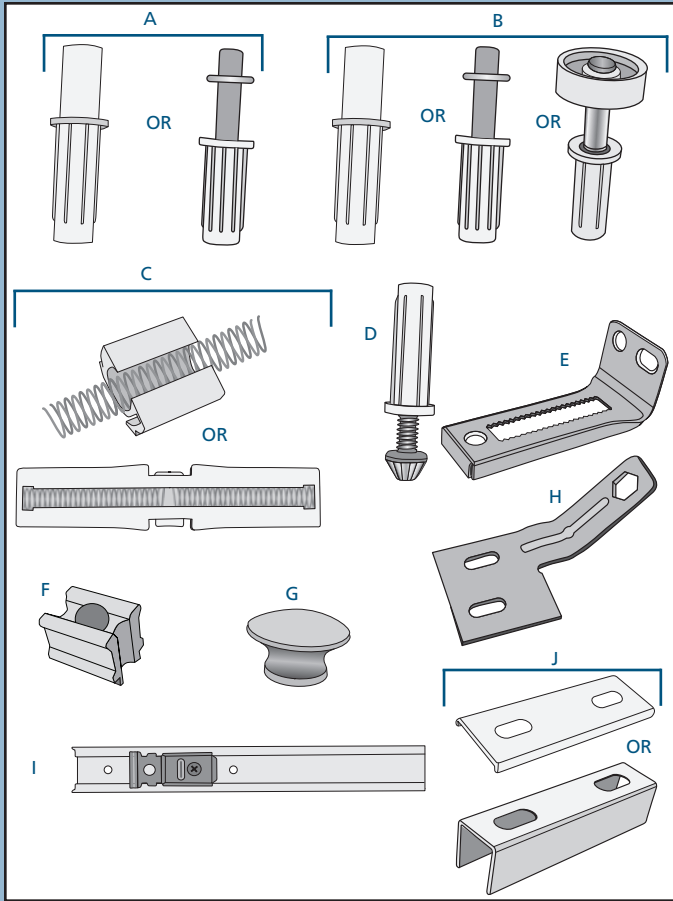


3

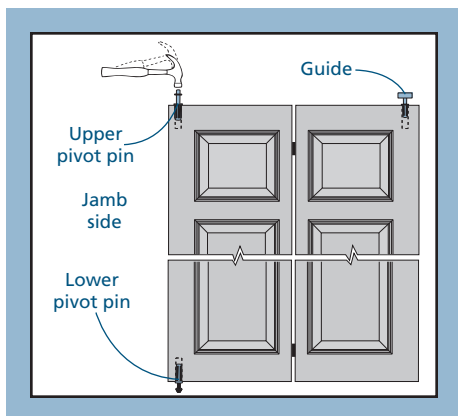
INSTALLATION FOR TYPE A1 - A4

PARTS INCLUDED

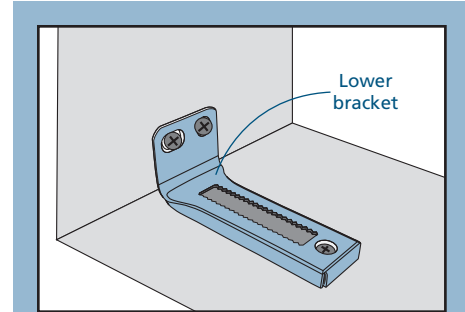
- | | |
|---------------------------|--------------------|
| A. Upper pivot pin | G. Knob |
| B. Guide for track | H. Aligner |
| C. Snigger or slide guide | I. Track |
| D. Lower pivot pin | J. Track bracket |
| E. Lower bracket | Screws (not shown) |
| F. Track slide (optional) | |



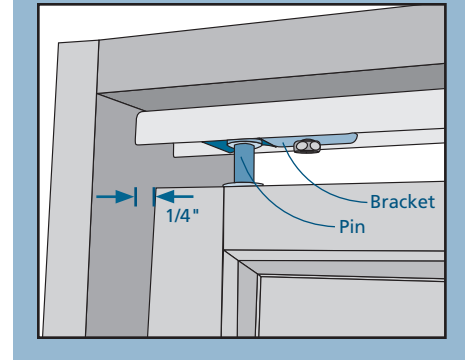
- Using a hammer, gently tap pivot pins and guide into the pre-drilled holes in the locations shown.
- Position overhead track in the opening with the open side down and the bracket end toward the jamb. Center the track in the finished opening, or allow at least 3/4" between the track and the front of the finished opening. Secure the track with the long pan head screws through the pre-drilled holes until snug. If installing four panels with two tracks, use a track bracket between the two ends in the center.



- Position the lower bracket on the floor in line with overhead track. The bottom of the bracket must rest securely on the floor or carpet. Fasten to the jamb and floor with a long flat head screw through each hole.



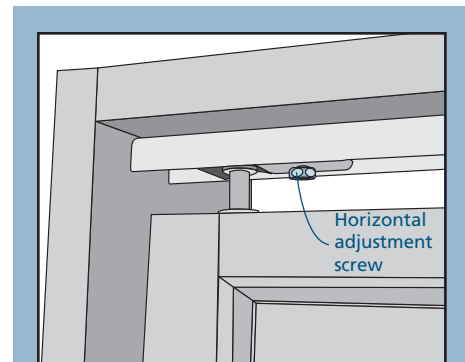
- Place the upper pivot pin in the hole in the bracket and the guide in the track (or in the middle of the slide guide between the springs). Lift the door assembly slightly and drop the lower pin into the lower bracket slot.



- Verify there is a 1/4" clearance between the pivot door and the jamb. Four panel assemblies should be snug at the middle. If adjustments are necessary, door panels should be folded, in some cases removed, to gain access to the adjustment screws.

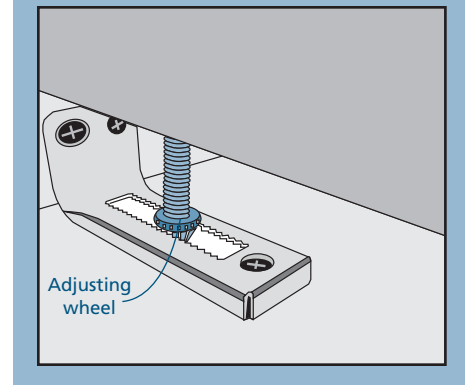
To adjust horizontally:

- At the top, loosen the screw in the top pivot bracket and move toward or away from the jamb until there is 1/4" clearance. Retighten.
- At the bottom, lift assembly and move the adjusting wheel toward or away from the jamb until doors are plumb with jamb, then lower into bracket.



To adjust vertically:

- Lift assembly slightly until the adjustment wheel clears the slot in the lower bracket. Rotate the adjustment wheel to the left to raise doors or to the right to lower them. Be sure the teeth lock firmly into bracket when finished.



- Snap the snigger into the lead door end of the track, or between guides in a four door installation.

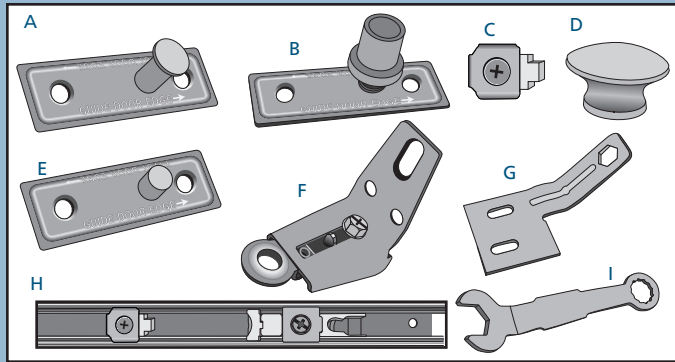
SKIP to Section 8, "COMPLETE INSTALLATION."

4

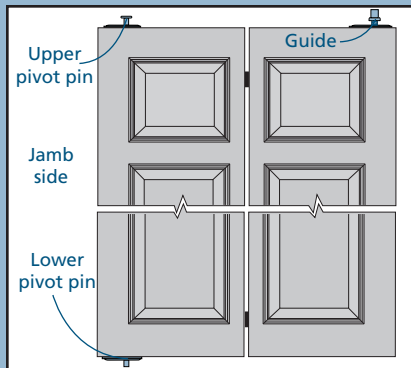
INSTALLATION FOR TYPE B

PARTS INCLUDED

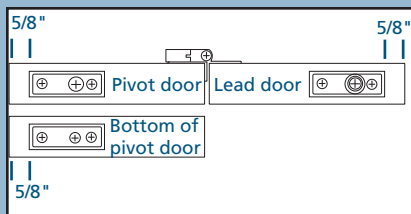
- | | |
|--------------------|----------------------|
| A. Upper pivot pin | F. Lower bracket |
| B. Guide for track | G. Aligner |
| C. Snugger | H. Track |
| D. Knob | I. Adjustment wrench |
| E. Lower pivot pin | Screws (not shown) |



1. Position the guide, upper pivot pin and lower pivot pin on the door assembly in the locations and orientations shown.

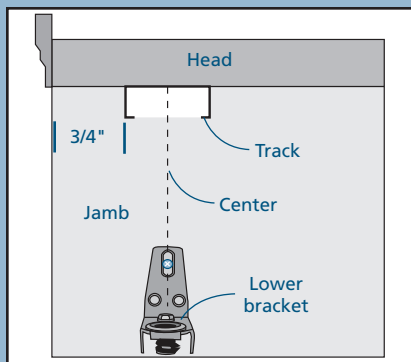


2. Measure in 5/8" from the end of each panel and center each pin on the panel.



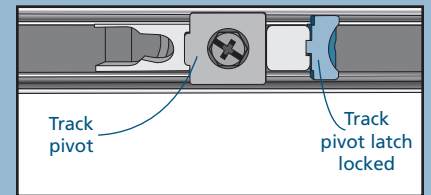
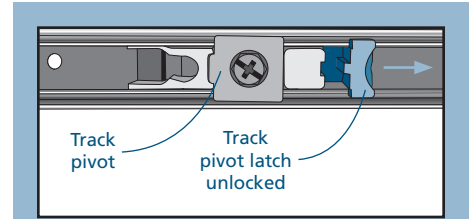
3. Secure with a 1" flat head screw through each hole.

4. Position overhead track in the opening with the open side down and the bracket end toward the jamb. Allow 3/4" between the front of the opening and the track and drive the 1 1/4" pan head screws through the pre-drilled holes until snug. Position the lower bracket

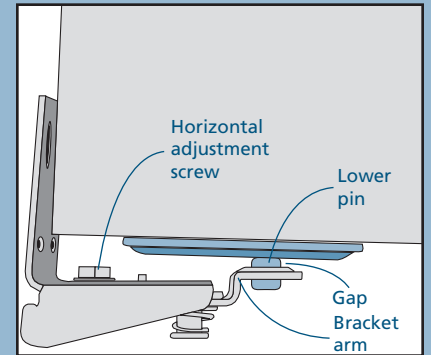


on the floor in line with overhead track. Fasten to the jamb with a 1 1/4" flat head screw through only the middle of the top slotted hole.

5. Unlock the track pivot latch by pulling the latch away from the jamb. With the door assembly folded, place the guide in the track and then position the upper pivot pin next to the track pivot. Slide the pin away from the jamb into the track pivot. Slide the latch toward the jamb to lock the pivot pin in place. Verify the pin is secure.

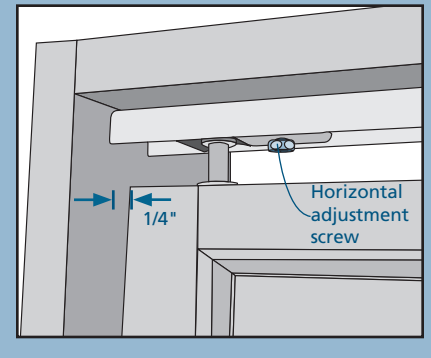


6. On the bottom, depress the arm on the lower bracket and insert the lower pivot pin. If installing a four door system, repeat for the other assembly. Check positioning and operation.



To adjust horizontally:

7. At the top, loosen the screw in the top pivot bracket and move toward or away from the jamb until there is 1/4" clearance. Retighten. Repeat the process for the lower bracket.



To adjust vertically:

8. There should be a slight gap between the lower pin and the bracket. If there is no gap or the gap is too large and allows the pin to come out of the bracket, loosen the single screw in the bracket and adjust up or down until there is a small gap (shown above) and the pin is engaged in the bracket. When the bracket is properly adjusted, install the remaining two screws and tighten.

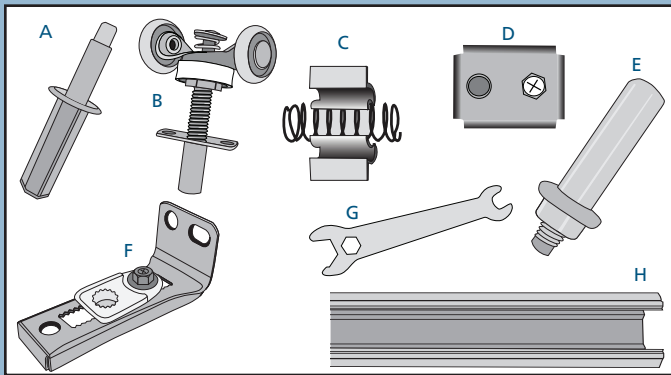
9. Loosen the screw on the snugger and close doors. Move the snugger until it contacts the guide pin. Open doors and move the snugger an additional 1/8" toward doors and tighten screw. Doors should slightly "snap" shut, but reopen easily with a tug on the knob.

SKIP to Section 8, "COMPLETE INSTALLATION."

5 INSTALLATION FOR TYPE C

PARTS INCLUDED

- | | |
|----------------------|----------------------|
| A. Upper pivot pin | F. Lower bracket |
| B. Hanger with T-nut | G. Adjustment wrench |
| C. Snigger | H. Track |
| D. Top pivot bracket | Screws (not shown) |
| E. Lower pivot pin | |



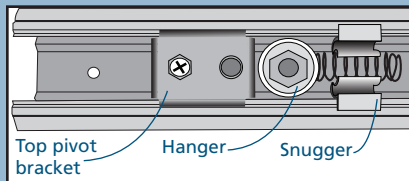
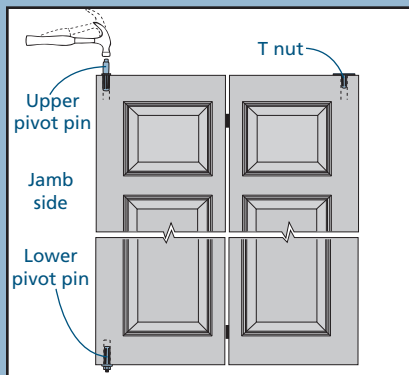
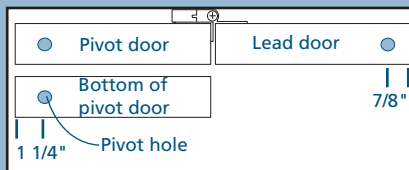
1. If holes are not drilled in panels, pre-drill one hole on each outside corner of the assembly 7/16" in diameter and at least 1 1/2" deep in the locations shown.

2. Tap pivots into holes with light hammer blows as shown. Secure T-nut by driving a #8 x 1" pan head screw through both holes.

3. Trim track to fit finished opening if necessary.

4. Insert the hanger into one end of the track. Loosen the screw on the top pivot bracket and position on track with the screw toward the jamb. Snap the snigger onto the track next to the hanger, opposite the top pivot bracket as shown.

5. Secure the track to the head jamb with the provided #8 x 1" pan head screws through the pre-drilled holes. Move the top pivot bracket back toward the track end until it is 1/4" from the jamb and tighten the screw.



6. Position the lower bracket in the jamb, centered with the track, and secure with the provided #8 x 3/4" flat head screws.

7. Fold the door assembly and position the T-nut to the hanger. Using the provided wrench, screw hanger into T-nut as far as possible.

8. Place the upper pivot pin into the hole in the top pivot bracket. Lift the assembly and place the lower pivot pin into the hole in the lower bracket. If installing a four door system, repeat for the other assembly. Check positioning and operation.

Verify there is a 1/4" clearance between the pivot door and the jamb. Four panel assemblies should be snug at the middle. If adjustments are necessary, door panels should be folded to gain access to the adjustment screws.

To adjust horizontally:

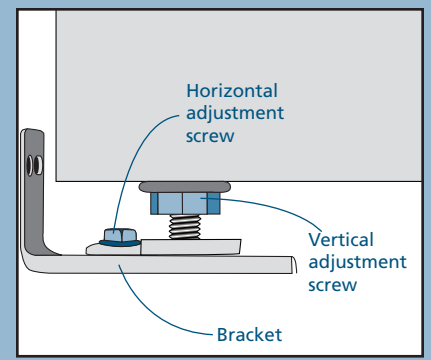
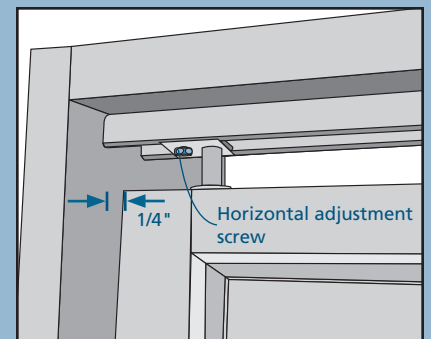
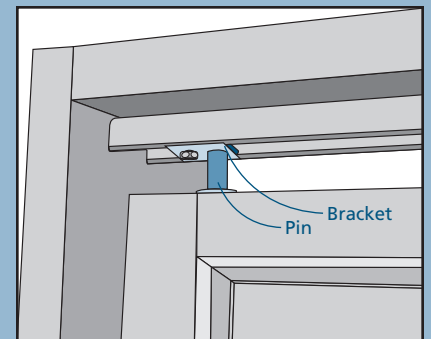
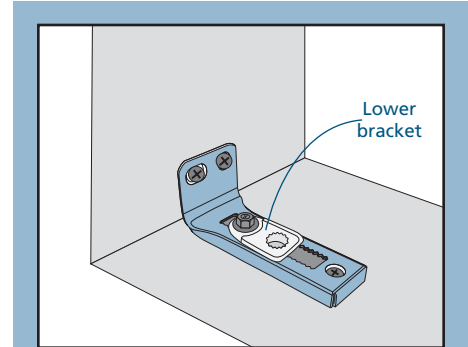
9. At the top, loosen the screw in the top pivot bracket and move toward or away from the jamb until there is 1/4" clearance. Retighten.

10. At the bottom, loosen the adjustment screw and move toward or away from the jamb until doors are plumb with jamb, then retighten the screw.

To adjust vertically:

11. Lift assembly slightly and rotate the adjustment screw to the right to raise doors, and to the left to lower them.
12. Slide the snigger until it is against the jamb opposite the top pivot bracket, or place between hangers in four door sets.

SKIP TO Section 8, "COMPLETE INSTALLATION."

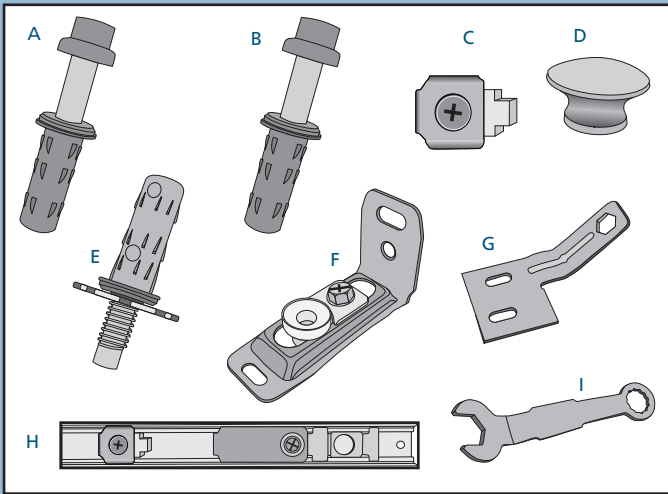


6

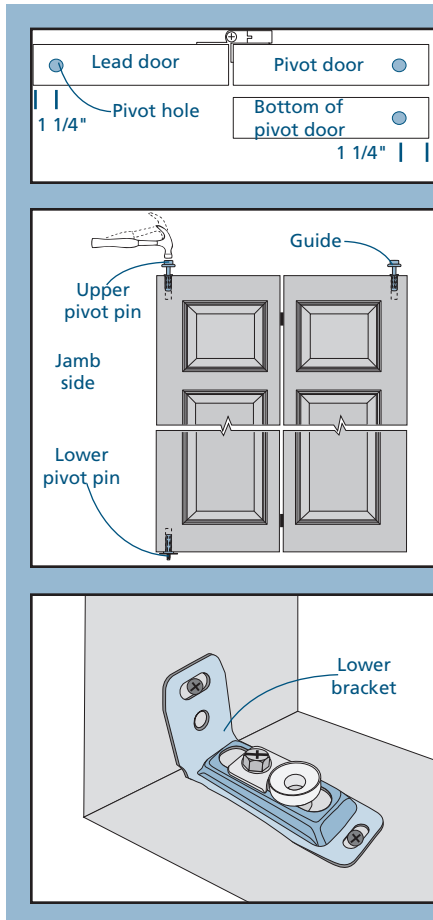
INSTALLATION FOR TYPE D

PARTS INCLUDED

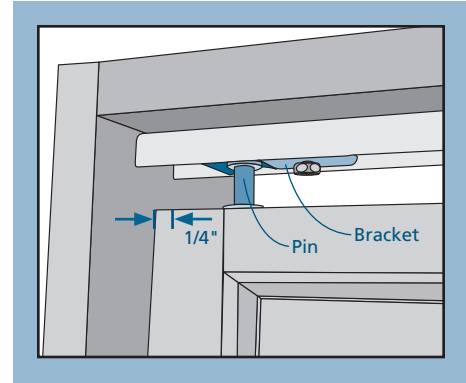
- A. Upper pivot pin
- B. Guide for track
- C. Snugger
- D. Knob
- E. Lower pivot pin
- F. Lower bracket
- G. Aligner
- H. Track
- I. Adjustment wrench
- Screws (not shown)



1. If holes are not drilled in panels, pre-drill 7/16" in diameter holes at least 1 3/8" deep, 1 1/4" from edges as shown. Tap pivots into holes with light hammer blows as shown.
2. Trim track to fit finished opening length if necessary.
3. Secure the track to the head jamb with the provided #8 x 1" pan head screws through the pre-drilled holes.
4. Position the lower bracket in the jamb, centered with the track, and secure with the provided #8 x 3/4" flat head screws.



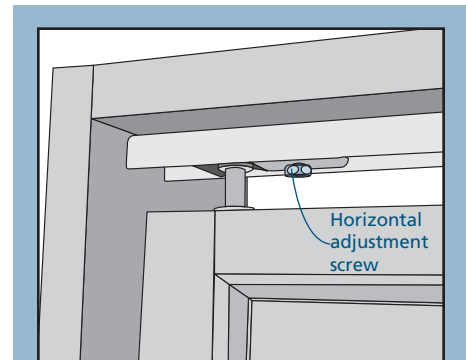
5. Place the upper pivot pin into the hole in the top pivot bracket and the guide pin into the track. Lift the assembly and place the lower pivot pin into the lower bracket. If installing a four door system, repeat for the other assembly. Check positioning and operation.



Two and four panel assemblies should have 1/4" clearance between the pivot doors and each jamb. Four panel assemblies should be snug at the middle. Door panels should be folded to gain access to the adjustment screws. In some cases, the doors may need to be removed to properly access the adjustment screws.

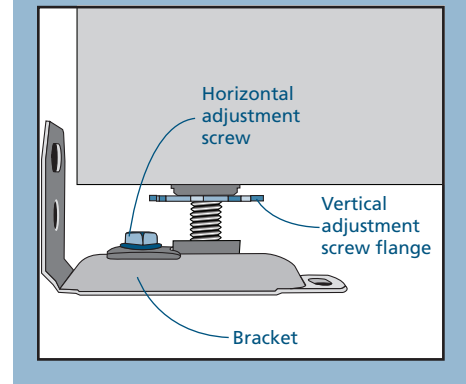
To adjust horizontally:

6. At the top, loosen the screw in the top pivot bracket and move toward or away from the jamb until there is 1/4" clearance. Retighten.
7. At the bottom, loosen the adjustment screw and move toward or away from the jamb until doors are plumb with jamb, then retighten the screw.



To adjust vertically:

8. Lift assembly slightly and rotate the adjustment screw flange to the right to raise doors, and to the left to lower them.
9. Loosen the screw on the snugger and close doors. Move the snugger until it contacts the guide pin. Open doors and move the snugger an additional 1/8" toward doors and tighten screw. Doors should slightly "snap" shut, but reopen easily with a tug on the knob.



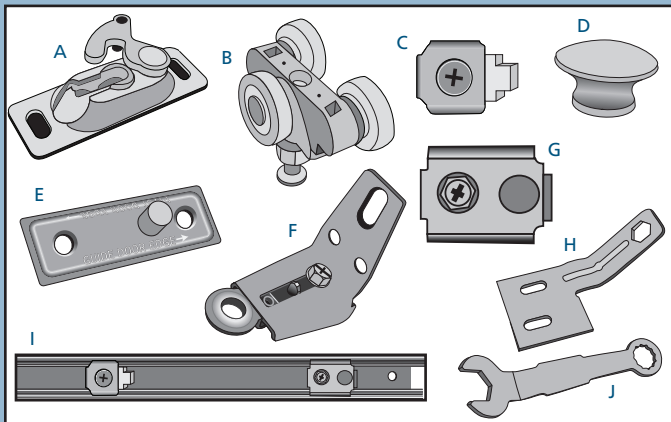
SKIP to Section 8, "COMPLETE INSTALLATION."

7

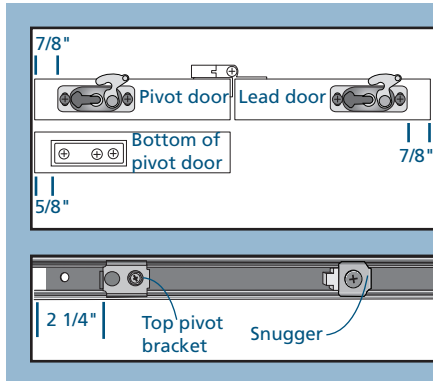
INSTALLATION FOR TYPE E

PARTS INCLUDED

- | | |
|--------------------------|----------------------|
| A. Upper pivot plate (2) | G. Top pivot bracket |
| B. Hanger | H. Aligner |
| C. Snigger | I. Track |
| D. Knob | J. Adjustment wrench |
| E. Lower pivot pin | Screws (not shown) |
| F. Lower bracket | |

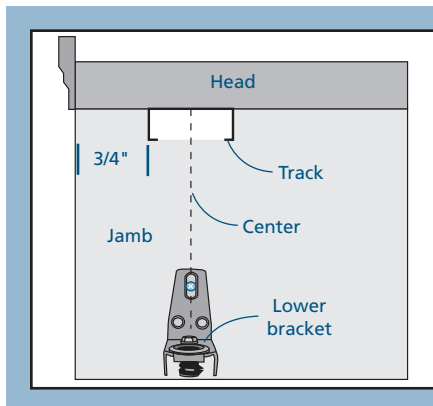


1. Fasten the pivot plates to each door panel with the 1 1/4" pan head screws in the locations shown. Use the 1" flat head screws on the lower pivot pin. Center each plate on the panel.

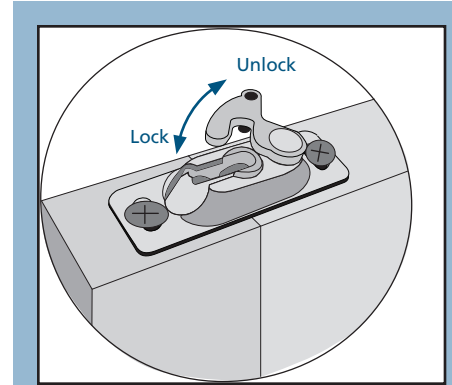


2. Trim track to fit finished opening.
3. Install top pivot bracket into one end of the track with the pin toward the end and 2 1/4" in. From the other end, install the hanger and snigger (with rubber bumper toward hanger) into track.

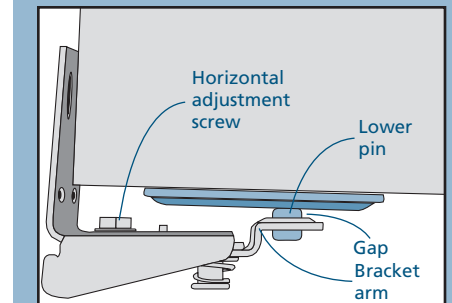
4. Position overhead track in the opening with the open side down and the bracket end toward the jamb. Allow 3/4" between the front of the opening and the track and drive the provided 1 1/4" pan head screws through the pre-drilled holes until snug. Position the lower bracket on the floor in line with overhead track. Fasten to the jamb with a 1 1/4" flat head screw through the middle of the top slotted hole.



5. Unlock the track pivot plate by pulling the latch away from the bracket. With the door assembly folded, place the pin from the top pivot bracket into the pivot plate on the pivot door. Slide the pin into the pivot plate and slide the latch to lock the pivot plate to the bracket. Verify the pin is secure. In the same manner, lock the hanger into the pivot plate on the lead door.

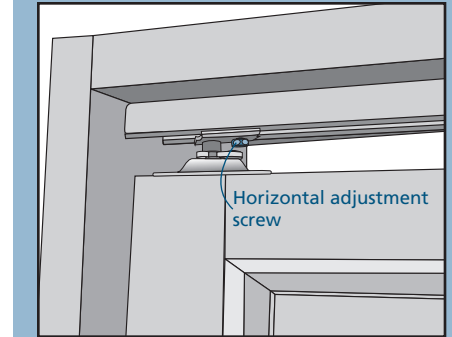


6. On the bottom, depress the arm on the lower bracket and insert the lower pivot pin.



To adjust horizontally:

7. At the top, loosen the screw in the top pivot bracket and move toward or away from the jamb until there is 1/4" clearance. Retighten. Repeat the process for the lower bracket.



To adjust vertically:

8. There should be a slight gap between the lower pin and the bracket. If there is no gap or the gap is too large and allows the pin to come out of the bracket, loosen the single screw in the bracket and adjust up or down until there is a small gap and the pin is engaged in the bracket. When the bracket is properly adjusted, install the remaining two screws and tighten.

9. Loosen the screw on the snigger and close doors. Move until the snigger contacts the guide pin. Open doors and move an additional 1/8" and tighten screw. Doors should slightly "snap" shut, but reopen easily with a tug on the knob.

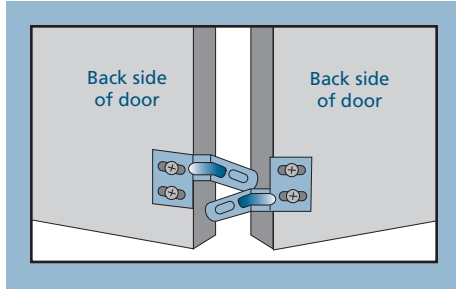
10. Adjust the snigger by closing doors, loosen screw and slide against guide in track. Open doors and move snigger 1/8" closer to panels and tighten screw.

Continue with Section 8, "COMPLETE INSTALLATION."

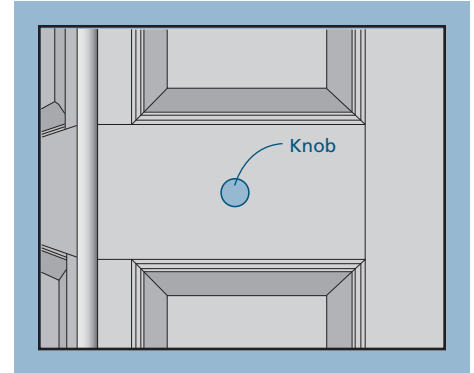
8

COMPLETE INSTALLATION

For four door configurations, mount an aligner as shown on the back side of each lead door.



For best operational performance and aesthetic appeal, install the door knob in the center of the middle rail of the lead door(s) (panel without pivot hardware). The knob, however, can also be installed in any other location on the lead door if desired. Drill a hole slightly larger than the screw and attach knob.



Please visit jeld-wen.com/resources for warranty, finishing instructions and care and maintenance information.

Thank you for choosing

