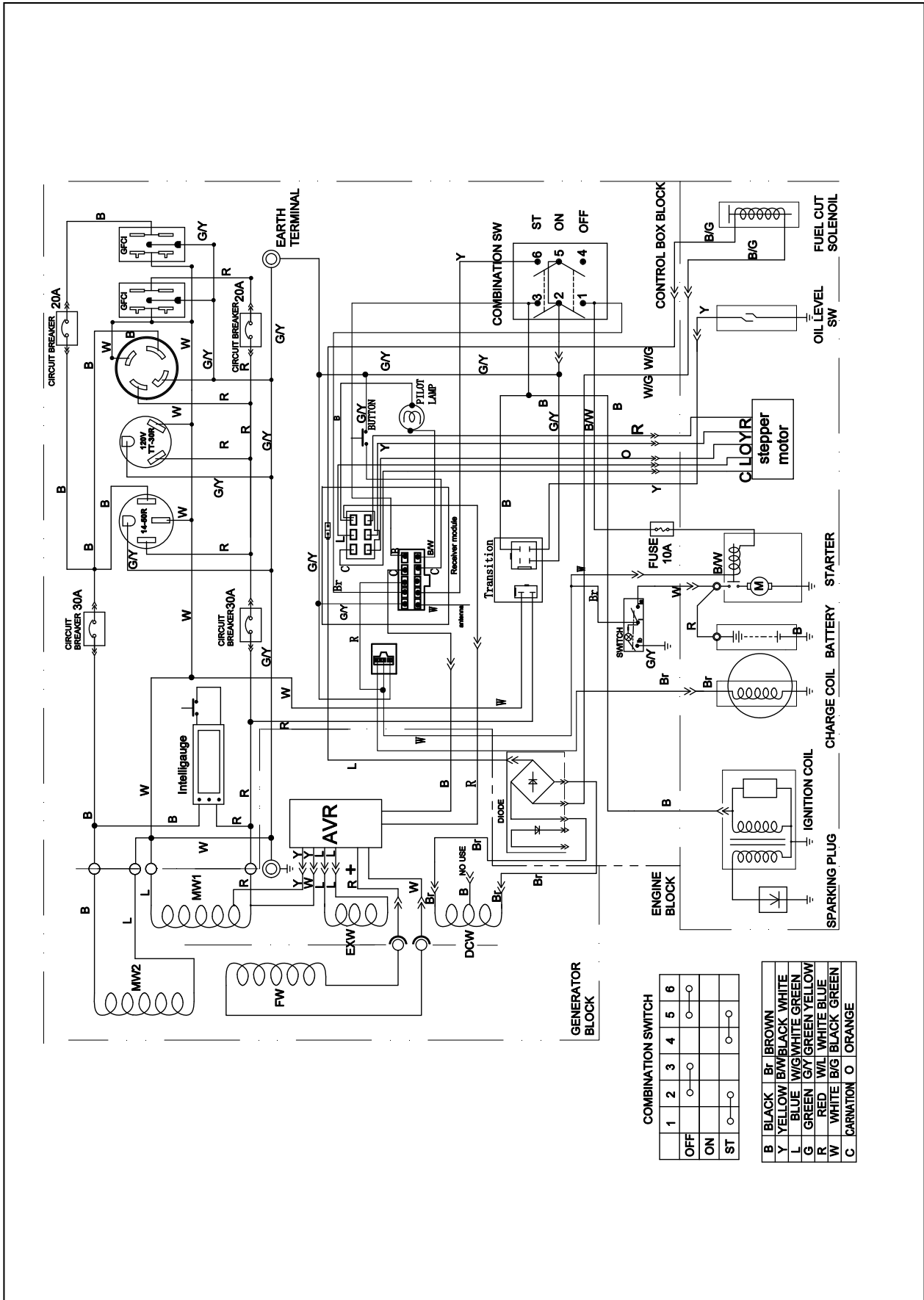
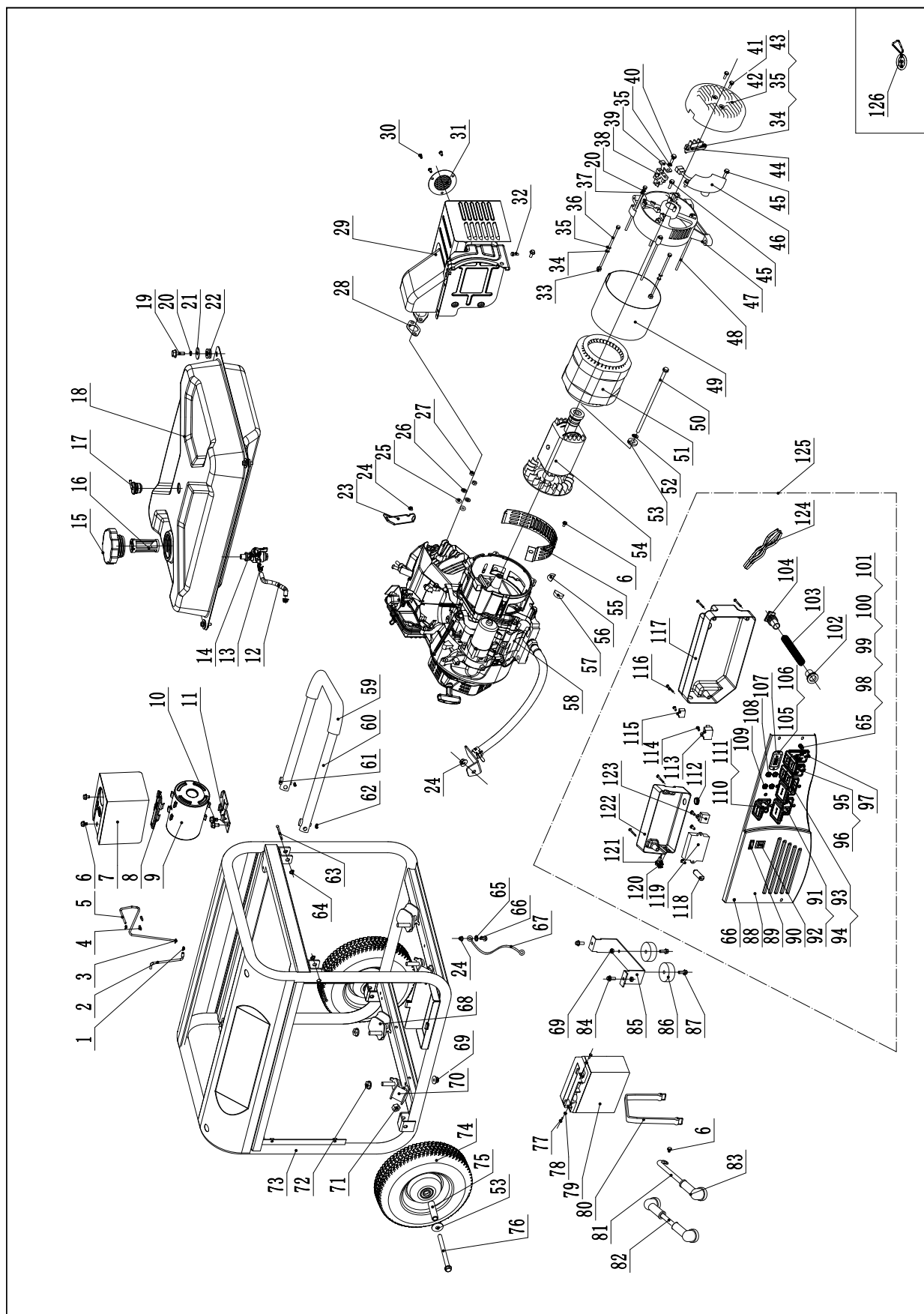


Wiring Diagram



SPECIFICATIONS

Parts Diagram

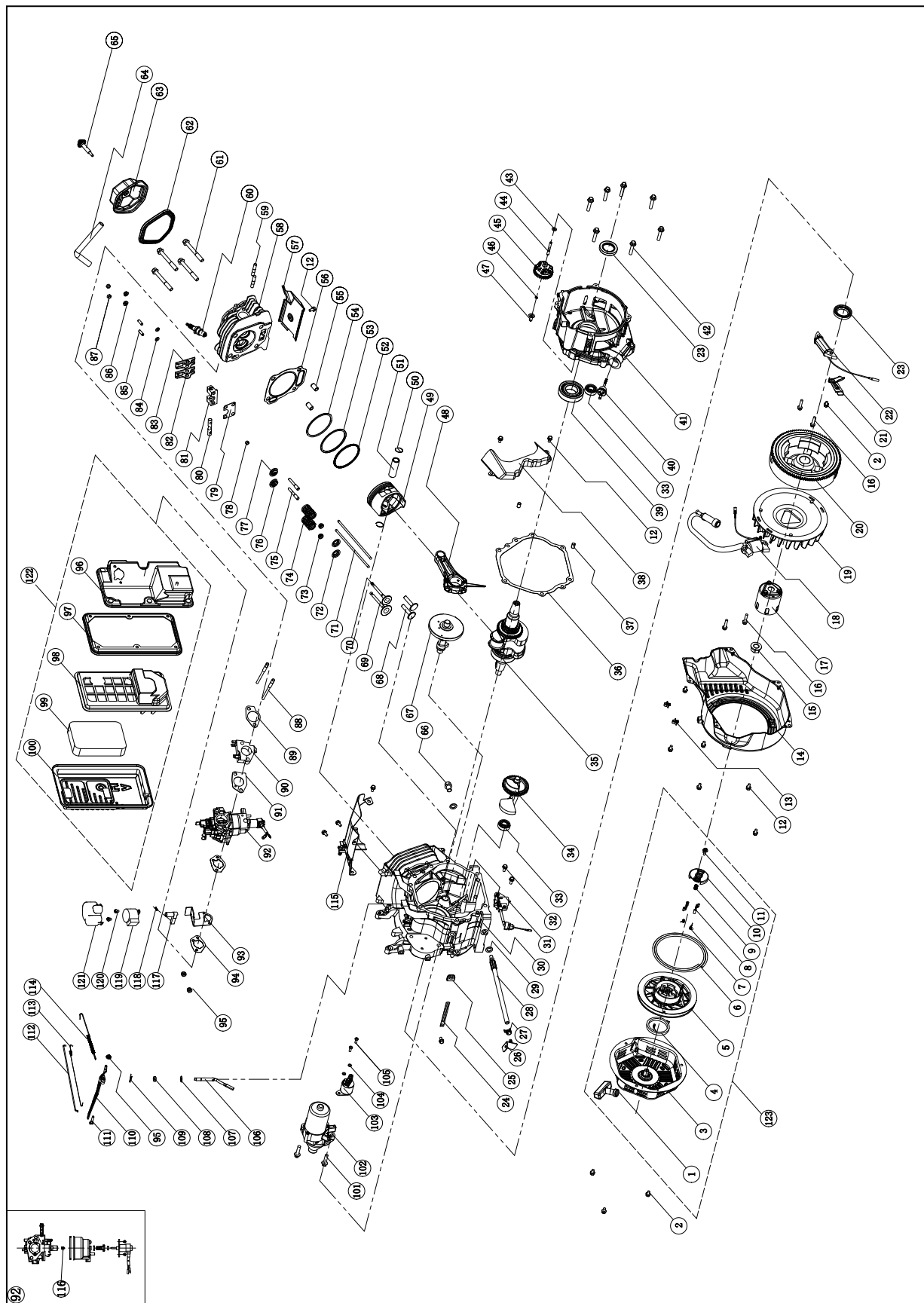


#	Part Number	Description	Qty
1	2.06.006	Clamp, Ø7 x Ø1	2
2	152.070013.03	Pipe, Air Cleaner, 135 mm	1
3	2.06.004	Clamp, Ø8 x Ø1	1
4	2.05.001	Clamp, Ø8 x 6.5	2
5	152.070014.07	Pipe, Reversal Valve, 780 mm	1
6	1.5789.0608	Flange Bolt M6 x 8	4
7	152.070018.03	Board, Heat Insulation	1
8	152.070702.06	Support Arm, Top	1
9	152.070700.02	Carbon Canister, 650cc	1
10	1.16674.0812	Flange Bolt M8 x 12	2
11	152.070702.05	Support Arm, Bottom	1
12	152.070011.07	Fuel Pipe, 7.7 in.	1
13	2.06.007	Clamp, Ø8 x b6	2
14	122.070400.05	Fuel Valve	1
15	122.070100.07	Cap, Fuel Tank	1
16	122.070300.03	Fuel Filter Assembly	1
17	24.070800.00	Reversal Valve	1
18	152.071000.31.48	Fuel Tank, Yellow	1
19	1.5789.0620.2	Flange Bolt M6 x 20	4
20	1.93.06	Lock Washer Ø6	8
21	2.03.004	Washer, Ø24 x Ø6.5 x 1.5	4
22	122.070015.01	Mount Vibration, Fuel Tank	4
23	45.090006.20	Holder, Air Cleaner	1
24	1.6177.1.06	Lock Nut M6, Flange	3
25	1.848.08	Washer Ø8	2
26	1.93.08	Lock Washer Ø8	2
27	1.6175.08	Nut M8	2
28	46.100001.07	Gasket, Exhaust	1
29	46.101000.01.2	Muffler Assembly	1
30	1.9074.4.0510	Screw/Washer Assembly M5 x 10	3
31	46.101300.00	Spark Arrester Assembly	1
32	1.16674.0820	Flange Bolt M8 x 20	2
33	1.6175.05	Nut M5	2
34	1.97.1.05	Washer Ø5	4
35	1.93.05	Lock Washer Ø5	5
36	2.08.071	Bolt M5 x 229	2
37	1.97.1.06	Washer Ø6	4
38	152.190300.00	Carbon Brush Assembly	1
39	122.190004.01	Pinch, Carbon Brush	1
40	1.5783.0520	Bolt M5 x 20	1
41	1.16674.0512.2	Flange Bolt M5 x 12	2
42	152.190003.00.48	Generator End Cover, Yellow	1
43	1.5783.0516	Bolt M5 x 16	2
44	122.190400.00	Terminal Block	1
45	1.16674.0516	Flange Bolt M5 x 16	3
46	154.190200.02	AVR	1
47	152.190002.00	End Housing	1
48	2.08.069	Flange Bolt M6 x 194	4
49	153.191002.00	Stator Cover	1
50	2.08.070	Flange Bolt M10 x 280	1
51	153.191200.21	Stator Assembly, Al, 158 mm, No DC	1
52	1.7244.10	Lock Washer Ø10	1
53	1.96.10	Washer Ø10	3
54	153.191100.18	Rotor Assembly, Al, 158 mm, No DC	1
55	152.192300.01	Air Guide	1
56	152.190005.00	Rubber, Fore-Cover, A	1
57	152.190005.01	Rubber, Fore-Cover, B	1
58	47.602	Engine	1
59	152.200702.02	Cover, Handle	1
60	152.200701.02	Handle, U Shape	1
61	152.200703.02	Short Pin, Handle	2
62	1.894.1.08	Circlip Ø8	2
63	152.200703.04	Long Pin, Handle	2
64	1.894.1.10	Circlip Ø10	2

#	Part Number	Description	Qty
65	1.862.06	Lock Washer Ø6, Toothed	2
66	1.5789.0612	Flange Bolt M6 x 12	5
67	5.1900.026	Grounding Line 150 mm	1
68	152.201200.04	Motor Mount 2	2
69	1.6177.1.08	Lock Nut M8, Flange	8
70	152.201200.03	Motor Mount 1	2
71	1.6182.10	Lock Nut M10	2
72	1.6177.1.10	Lock Nut M10, Flange	4
73	65240.0.10.2	Frame	1
74	152.201701.04.48	10 in. Wheel, Yellow	2
75	253.200016.00	Bushing, Ø16 x Ø10.5 x 69.5	2
76	1.5782.10120	Bolt M10 x 120	2
77	1.9074.3.0510	Screw/Washer Assembly M5 x 10	2
78	1.6177.1.05	Lock Nut M5, Flange	2
79	9.1000.150	Battery 12V15AH	1
80	152.200904.00	Pinch, Rubber	1
81	5.1900.014	Black Wire, 320 mm, Battery	1
82	5.1900.021	Red Wire, 480 mm, Battery	1
83	152.200013.01	Jacket, Wire	3
84	1.5789.0816	Flange Bolt M8 x 16	2
85	152.200002.01.2	Support Leg, 84 mm	1
86	152.201400.00	Rubber, Support	2
87	1.5789.0825	Flange Bolt M8 x 25	2
88	152.159.048.2	Control Panel	1
89	5.1000.000.3	Switch, Battery, Red	1
90	5.1000.001.3	Ignition Switch, Red	1
91	5.1120.039	Receptacle 14-50R	1
92	5.1870.007	Receptacle Cover, 14-50R	1
93	5.1120.034	Receptacle TT-30R	1
94	5.1870.004	Receptacle Cover, TT-30R	1
95	5.1120.050	Receptacle 5-20R, Duplex, GFCI	2
96	5.1870.005	Receptacle Cover, 5-20R, GFCI	2
97	1.6177.1.05	Lock Nut M5, Flange	10
98	1.5783.0622.3	Bolt M6 x 22, Green	1
99	1.6175.06.3	Nut M6, Green	2
100	1.97.1.06.3	Washer Ø6, Green	2
101	1.93.06.3	Lock Washer Ø6, Green	2
102	122.210003.01	Wire Jacket, Control Box	1
103	5.1330.002	Sheath, Wire, Ø16 x 225 mm	1
104	152.210003.02	Plug, Control Box	1
105	1.9074.4.0414.1	Screw/Washer Assembly M4 x 14, Black	2
106	1.6177.1.04.1	Lock Nut M4, Flange, Black	2
107	5.1430.002	Intelligauge	1
108	5.1210.920	20Amp Circuit Breaker, Push Button, CSA	2
109	5.1210.930	30Amp Circuit Breaker, Push Button, CSA	2
110	5.1120.009	Receptacle L14-30R	1
111	5.1870.003	Receptacle Cover, L14-30R	1
112	122.210003.00	Grommet	1
113	5.1810.001	Over Voltage Protector	1
114	1.823.0514	Screw M5 x 14	5
115	5.1800.000	Bridge Rectifier	1
116	1.9074.1.0538.2	Screw And Washer Assembly M5 x 38	5
117	152.210002.09	Control Box	1
118	5.1280.003	Fuse, 10A	1
119	5.1830.001	Remote Control	1
120	5.1040.004	Switch	1
121	5.1460.003	Indicator Light	1
122	152.210002.11	Control Box	1
123	5.1820.000	Charger	1
124	100161.21.10	Wire Assembly	1
125	100161.21	Control Panel Assembly	1
126	9.2600.000	Remote	1

SPECIFICATIONS

Engine Parts Diagram



#	Part Number	Description	Qty
1	21.061300.00	Recoil Handle	1
2	1.5789.0608	Flange Bolt M6 x 8	4
3	46.061100.00.2	Recoil Starter Cover, Black	1
4	45.060005.00	Recoil Starter Spring	1
5	45.061102.00	Recoil Starter Reel	1
6	2.10.003	Rope Ø5 x 1550	1
7	45.060003.00	Spring, Ratchet	2
8	45.060002.00	Starter Ratchet, Iron	2
9	45.060009.00	Spring, Ratchet Guide	1
10	45.060007.00	Ratchet Guide	1
11	45.060008.00	Screw, Ratchet Guide	1
12	1.5789.0612	Flange Bolt M6 x 12	12
13	2.05.001	Clamp Ø8 x 6.5	2
14	47.080100.01.48	Fan Cover, Yellow	1
15	2.02.007	Nut M16 x 1.5	1
16	1.5789.0629	Flange Bolt M6 x 29	4
17	45.060001.00	Starter Pulley	1
18	46.123000.01	Ignition Coil	1
19	47.080001.00	Cooling Fan	1
20	46.120100.04	Flywheel, Electric Start EPA	1
21	45.030006.00	Plate, Coil	1
22	45.121000.00	Coil, Charging	1
23	2.11.007	Oil Seal Ø35 x Ø52 x 8	2
24	2.05.050	Wire Clip, 100 mm	1
25	45.030032.00	Sheath, Wire	1
26	45.030200.00	Support	1
27	2.06.013	Clamp Ø13.5 x b10	1
28	45.032000.00	Oil Guide Assembly	1
29	2.03.023	Washer Ø12.5 x Ø20 x 2	2
30	47.030100.01	Crankcase	1
31	45.127000.02	Oil Level Sensor	1
32	1.5789.0615	Flange Bolt M6 x 15	2
33	1.276.6202	Bearing 6202	2
34	47.050006.00	Weight Balancer	1
35	47.050100.01	Crankshaft	1
36	46.030008.00	Gasket, Crankcase Cover	1
37	2.04.001	Dowel Pin Ø9 x 14	2
38	46.080600.00	Air Guide, Right Side	1
39	1.276.6207	Bearing 6207	1
40	46.031000.00.48	Oil Dipstick Assembly, Yellow	1
41	45.030007.00	Crankcase Cover	1
42	1.5789.0840.0.8	Flange Bolt M8 x 40	7
43	2.03.021.1	Washer Ø6.4 x Ø13 x 1, Black	1
44	45.110013.00	Governor Gear Shaft	1
45	45.110100.00	Gear, Governor	1
46	21.110011.00	Clip, Governor Gear	1
47	45.110012.00	Bushing, Governor Gear	1
48	47.050200.00	Connecting Rod	1
49	47.050005.01	Piston	1
50	2.09.004	Circlip Ø21 x Ø1	2
51	45.050003.00	Pin, Piston	1
52	46.050303.02	Ring, Oil	1
53	46.050302.02	Ring, Second Piston	1
54	46.050301.02	Ring, First Piston	1
55	2.04.004	Dowel Pin Ø12 x 20	2
56	46.030009.02	Gasket, Cylinder Head	1
57	46.080400.00	Air Guide, Lower	1
58	47.010100.01	Cylinder Head	1
59	2.01.010	Stud Bolt M8 x 35	2
60	2.15.002(F6RTC)	Spark Plug, F6RTC	1
61	2.08.014	Flange Bolt M10 x 80	4
62	46.020002.00	Gasket, Cylinder Head Cover	1
63	47.021000.00	Cylinder Head Cover	1
64	45.020001.02	Breather Tube	1

#	Part Number	Description	Qty
65	47.020100.00	Bolt, Cylinder Head Cover	1
66	2.08.039	Bolt, Drain, M12 x 1.5 x 15	1
67	47.041000.01	Camshaft	1
68	47.040004.00	Lifter, Valve	2
69	47.040002.00	Valve, Intake	1
70	47.040006.00	Valve, Exhaust	1
71	46.040005.00	Push Rod	2
72	45.040015.00	Retainer, Valve Spring, Down	2
73	45.040017.00	Oil Seal, Valve	2
74	45.040003.00	Spring, Valve	2
75	23.040010.00	Bolt, Rocker Arm	2
76	45.040001.00	Retainer, Intake Valve Spring, Up	1
77	45.040007.00	Retainer, Exhaust Valve Spring, Up	1
78	45.040008.00	Rotator, Exhaust Valve	1
79	46.040004.00	Guide Plate, Push Rod	1
80	46.040016.00	Shaft, Rocker Arm	1
81	46.040201.00	Retainer, Rocker Arm	1
82	46.040009.00	Rocker Arm, Intake Valve	1
83	46.040018.00	Rocker Arm, Exhaust Valve	1
84	1.97.1.06	Washer Ø6	2
85	22.040012.00	Screw, Valve Adjustment	2
86	1.6177.1.06	Lock Nut M6, Flange	2
87	21.040021.00	Lock Nut M6 x 0.5	2
88	2.01.008	Stud Bolt M6 x M8 x 105	2
89	46.130002.20	Gasket, Insulator	1
90	45.130001.00	Insulator, Carburetor	1
91	46.130003.20	Gasket, Carburetor	1
92	47.131000.22	Carburetor	1
	47.131000.28		
93	45.130005.01	Support, Stepper Motor	1
94	46.130004.20	Gasket, Air Cleaner	2
95	1.6177.06	Flange Nut M6	3
96	46.091100.03	Base, Air Cleaner	1
97	45.091002.20	Seal, Air Cleaner	1
98	45.091001.20	Separator, Air Cleaner	1
99	45.091003.20	Element, Air Cleaner	1
100	46.091200.04	Cover, Air Cleaner	1
101	1.5789.0835	Flange Bolt M8 x 35	2
102	45.125100.00	Starter Motor Assembly	1
103	45.125200.01	Relay, Starter, Remote Control	1
104	1.93.05	Lock Washer Ø5	2
105	1.16674.0516	Flange Bolt M5 x 16	2
106	45.110001.00	Shaft, Governor Arm	1
107	2.03.019	Washer Ø8.2 x Ø17 x 0.8	1
108	2.11.006	Oil Seal, Ø7 x Ø14 x 5	1
109	45.110008.00	Pin, Shaft	1
110	45.110003.00	Arm, Governor	1
111	2.08.040	Bolt, Governor Arm, M6 x 21	1
112	45.110006.00	Rod, Governor	1
113	45.110005.00	Spring, Throttle Return	1
114	45.110007.00	Spring, Governor	1
115	46.080300.20	Air Guide, Upper	1
116	47.131017.21	Standard Main Jet	1
	47.131017.21.01	Altitude Main Jet	/
117	26.130015.24	Connector, Choke Valve Axis	1
118	81.130010.00	Spring, Connector	1
119	45.132200.01	Stepper Motor	1
120	1.823.0408	Screw M4 x 8	2
121	81.132001.00	Cover, Stepper Motor	1
122	46.091000.03	Air Cleaner Assembly	1
123	46.061000.00	Recoil Assembly	1