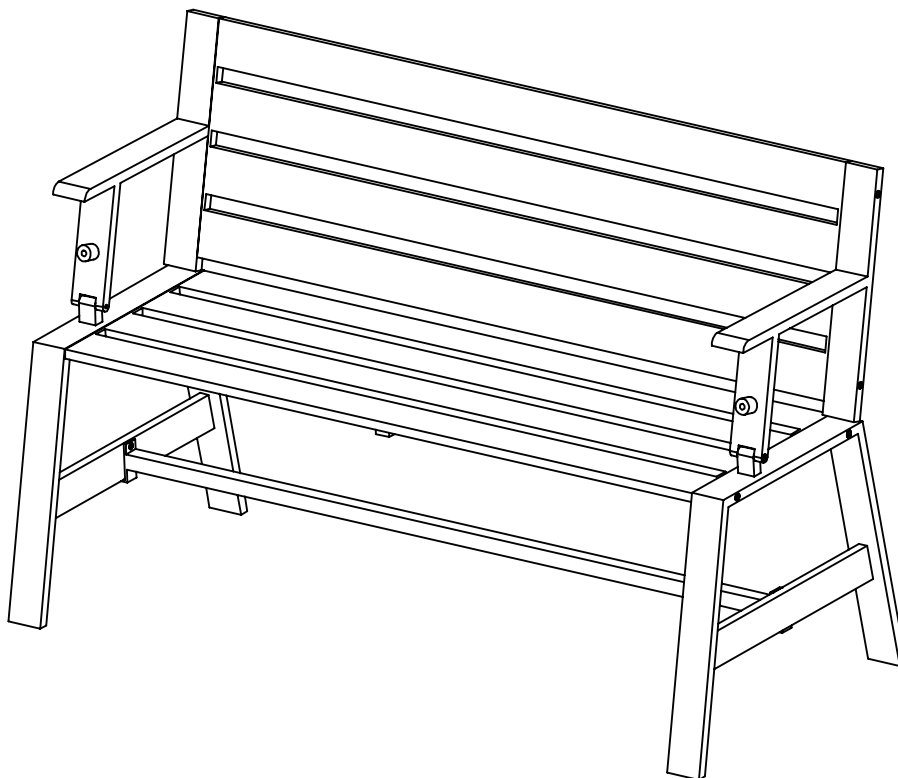


# Convertible Bench ASSEMBLY INSTRUCTIONS SB-PBT

Questions, problems, missing parts with this product? Do not return to your retailer, please call our customer service department 9:00 a.m. to 5:00 p.m. Eastern Standard Time Monday through Friday Phone # 1-800-457-4652 or contact us at [www.numarkcustomerservice.com](http://www.numarkcustomerservice.com)



## Hardware

Fa x 4  
Short Bolt



Fb x 2  
Medium Bolt



Fc x 8 + 1 spare  
Long Bolt



Fd x 1  
Steel Plate

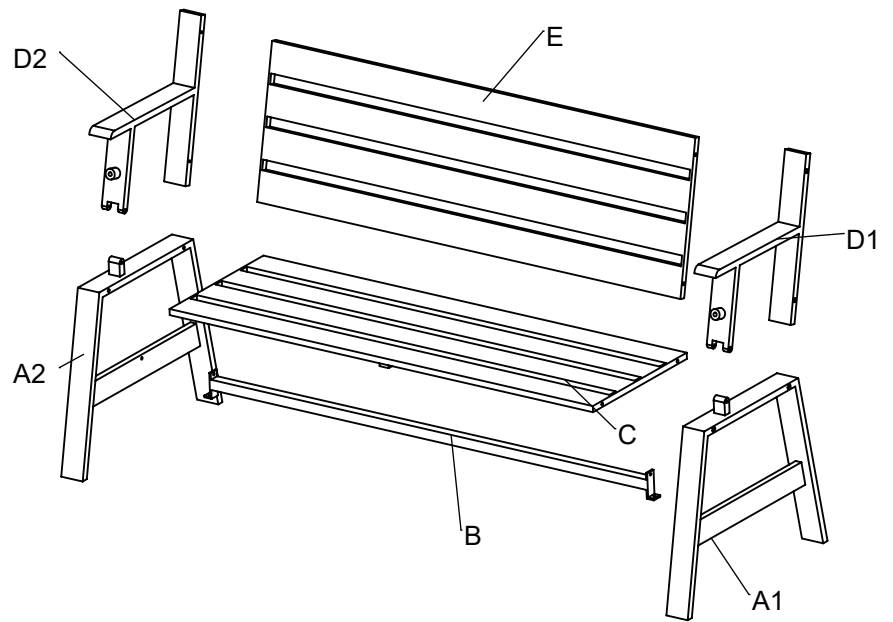


Fe x 1  
Allen Wrench



# Parts

A1	Left Leg	1
A2	Right Leg	1
B	Leg Connector	1
C	Seat	1
D1	Left Arm	1
D2	Right Arm	1
E	Back	1



## Assembly instruction

1

Fa x 4  
Short Bolt

Don't tighten completely.  
Repeat procedure for the other side.

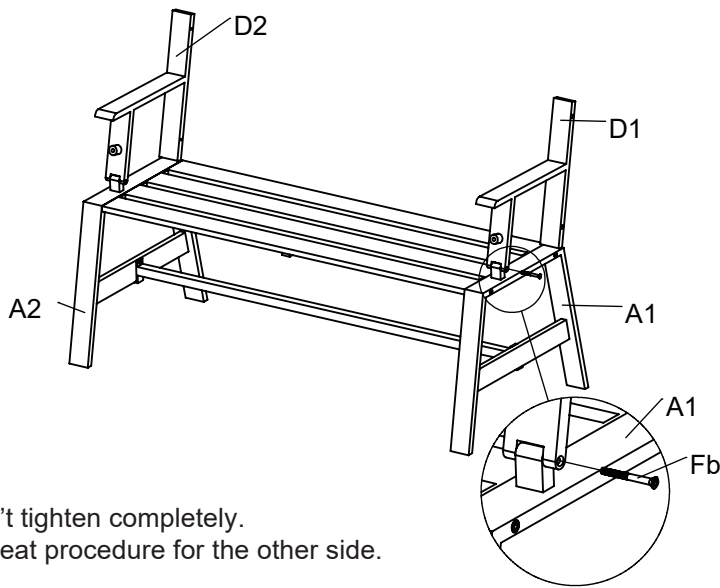
2

Fc x 4  
Long Bolt

Don't tighten completely.  
Repeat procedure for the other leg.

# Assembly instruction

3

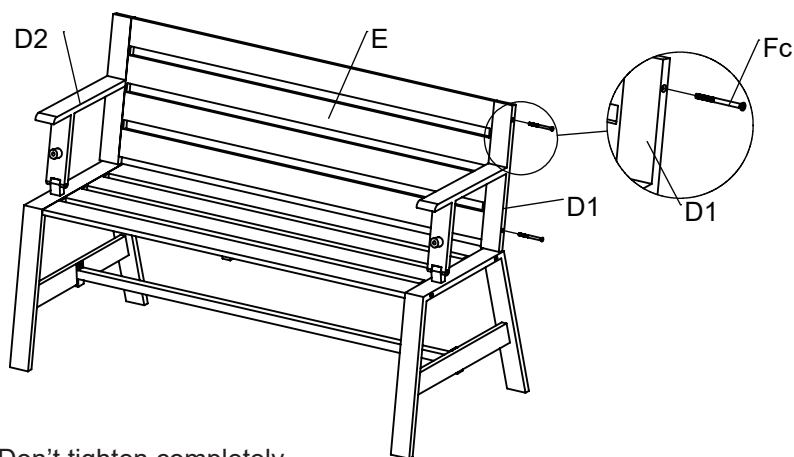


Fb x 2  
Medium Bolt

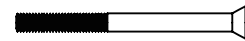


Don't tighten completely.  
Repeat procedure for the other side.

4

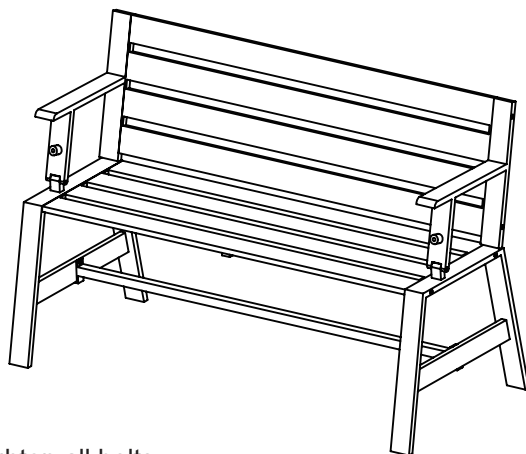


Fc x 4  
Long Bolt



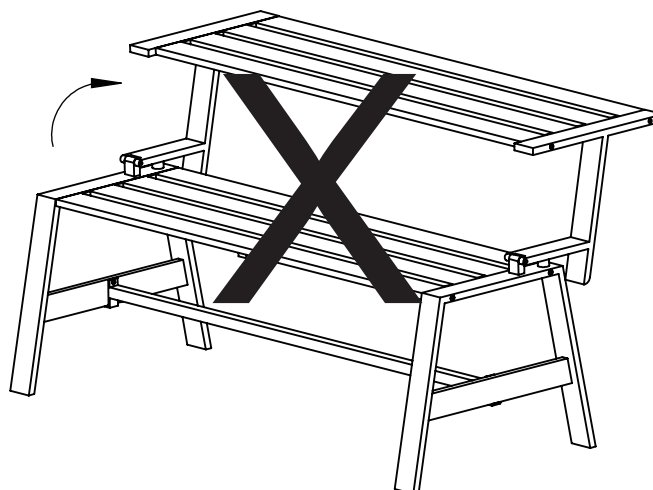
Don't tighten completely.  
Repeat procedure for the other side.

5



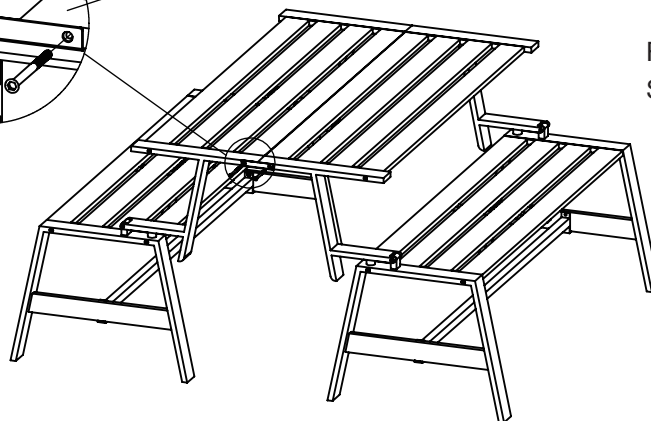
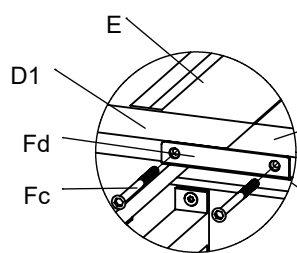
Securely tighten all bolts.  
Now your bench is ready for use.

6



**NEVER** use the picnic table in single unit as this situation.

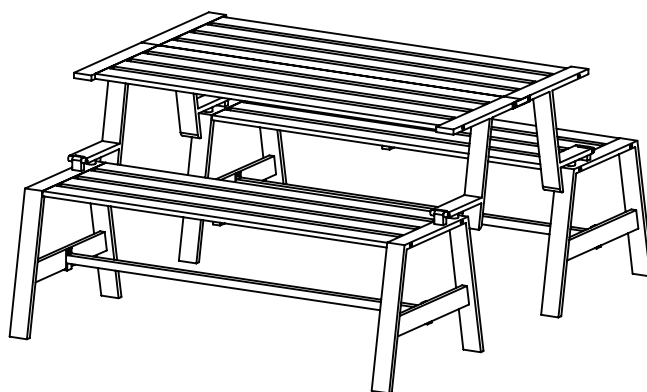
## 7 Two benches are converted to picnic table use



Fc x 4  
Long Bolt  
(Remove from the back)



Fd x 2  
Steel Plate



**ALWAYS** use picnic table in pairs (Securely connected).