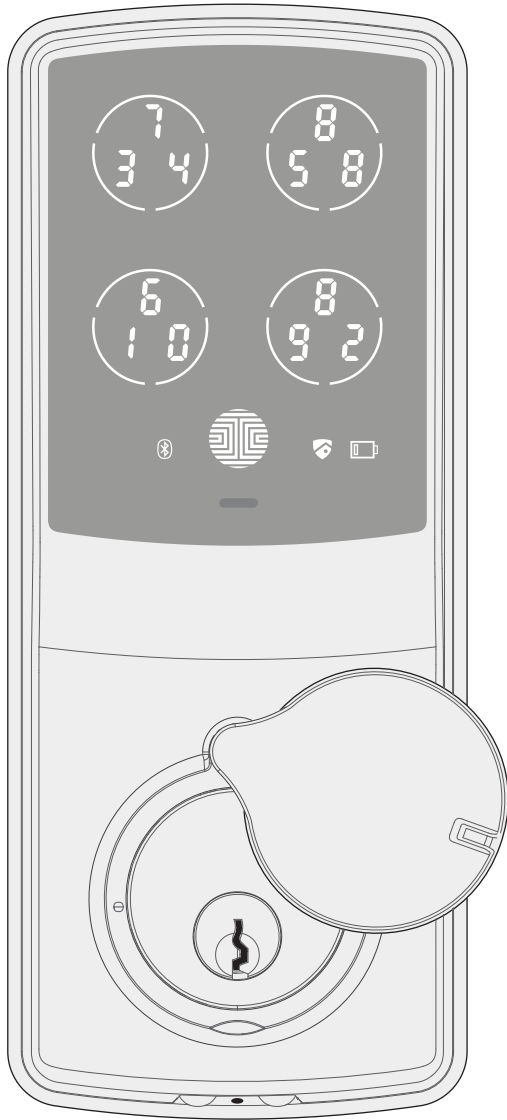


SECURE | SECURE PLUS | SECURE PRO

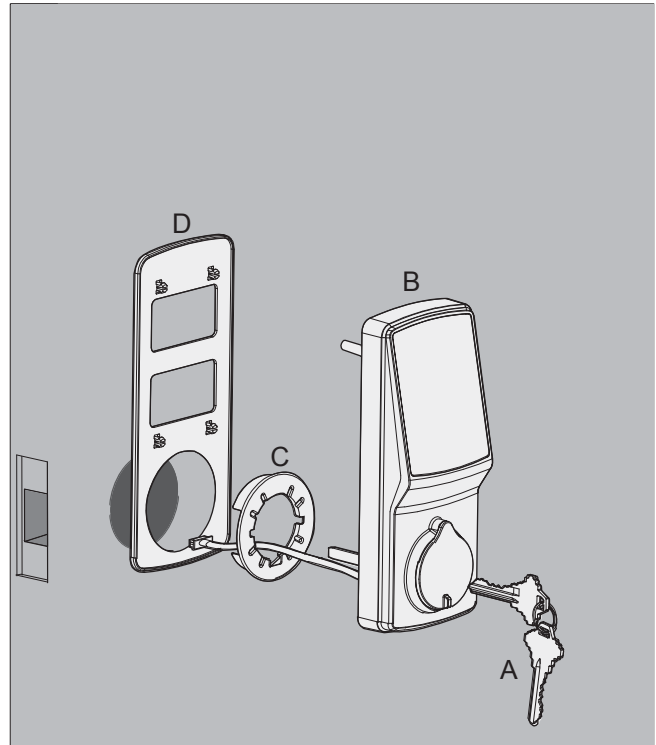
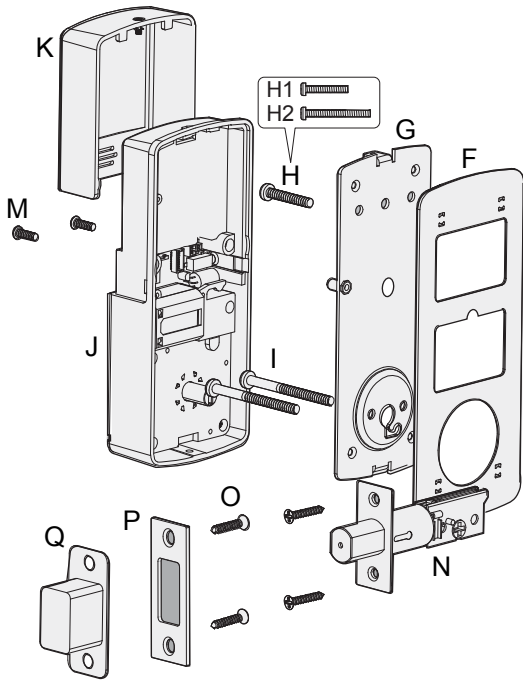


LOCKLY™ SECURE

DEADBOLT EDITION

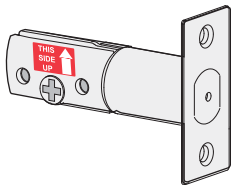
INSTALLATION MANUAL

INSTALLATION OVERVIEW



Lockly™ Secure can be fitted for both right swing doors and left swing doors.

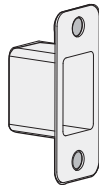
PARTS LIST



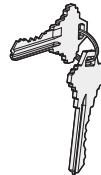
N



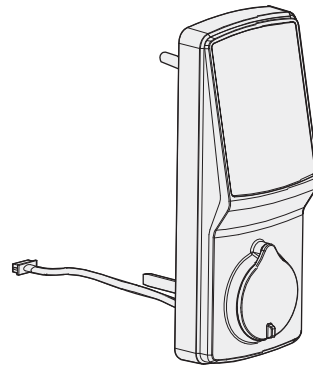
P



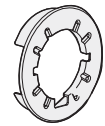
Q



A



B



C

E 3M Double Sided Tape- EVA Sticker x 8

H1  x 2

H2  x 2

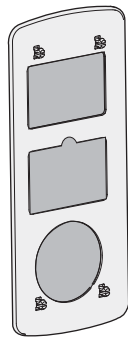
I  x 3

M  x 3

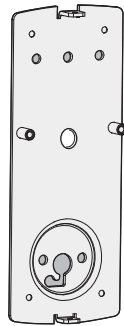
O  x 5



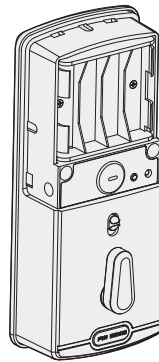
D



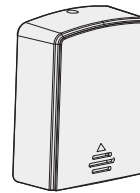
F



G

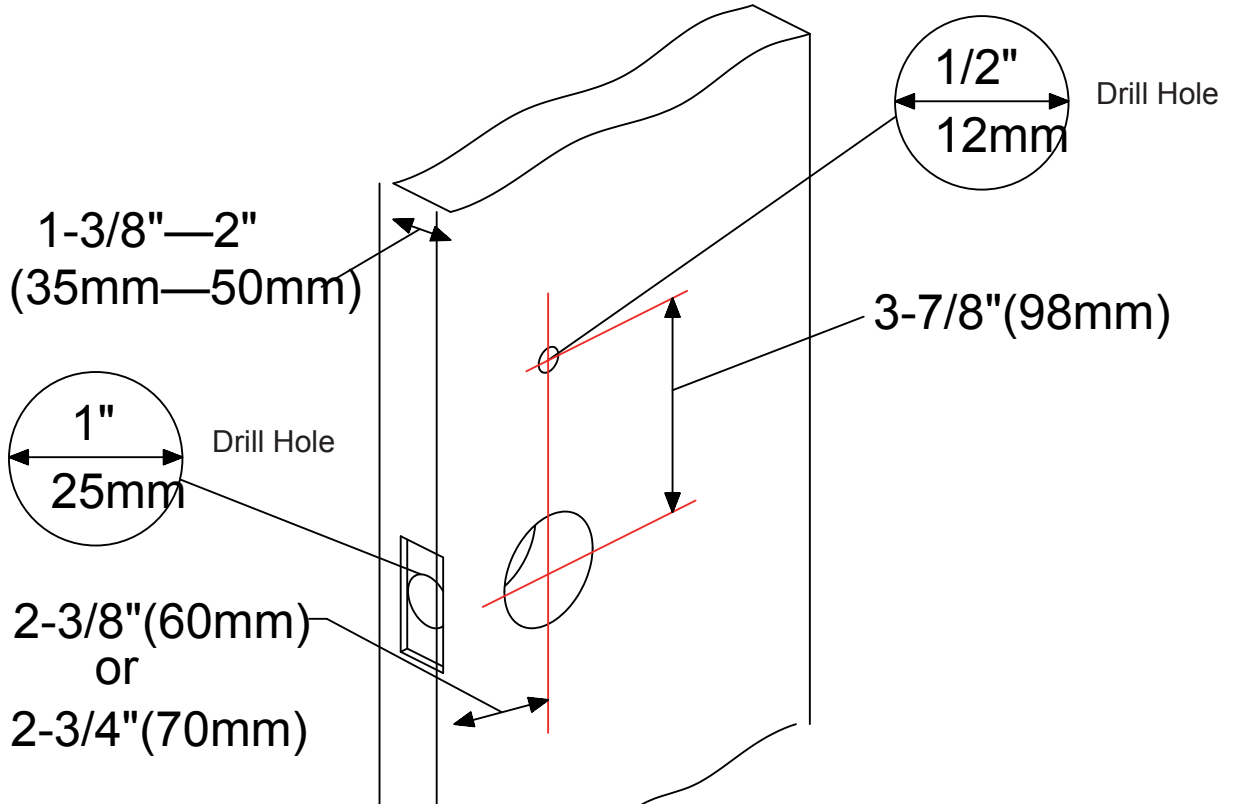


J



K

STEP 1: PREPARING YOUR DOOR



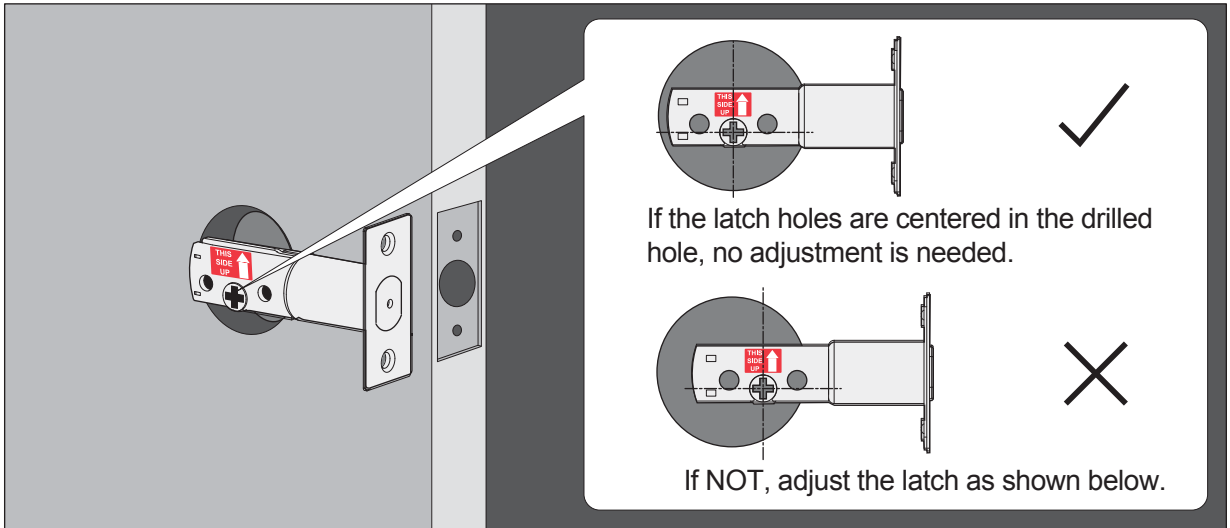
IMPORTANT NOTICE



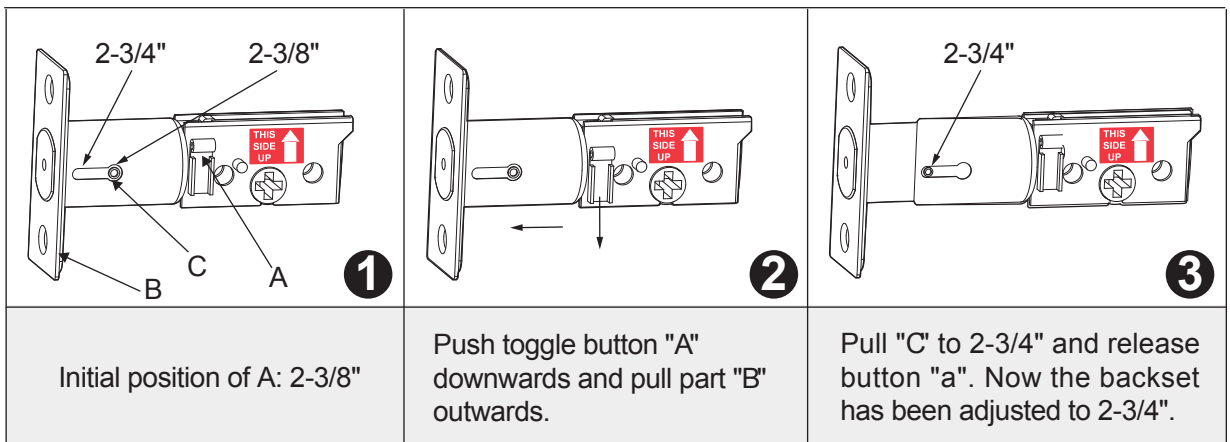
You are **not required** to drill a hole in your door. We have provided 3M double sided tape for you to help stabilize the lock during installation. Only drill a hole if you wish to have added stability. Please refer to the provided templates for drilling if needed.

Make sure your door is prepped for installation prior to installation. Please use the supplied template for drilling holes required if you choose to drill a hole.

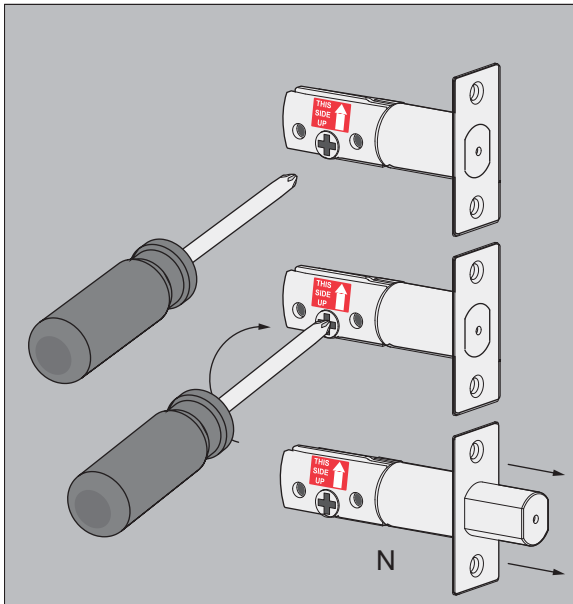
STEP 2: ADJUSTING THE BOLT



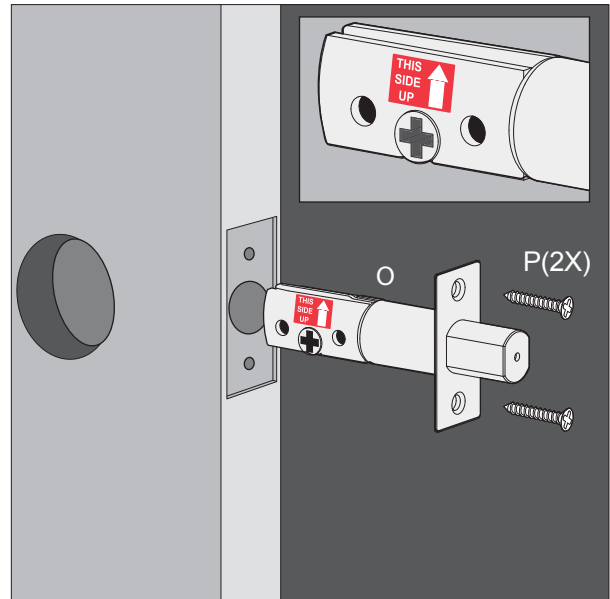
Adjust as shown below (as needed)



STEP 3: EXTENDING THE BOLT



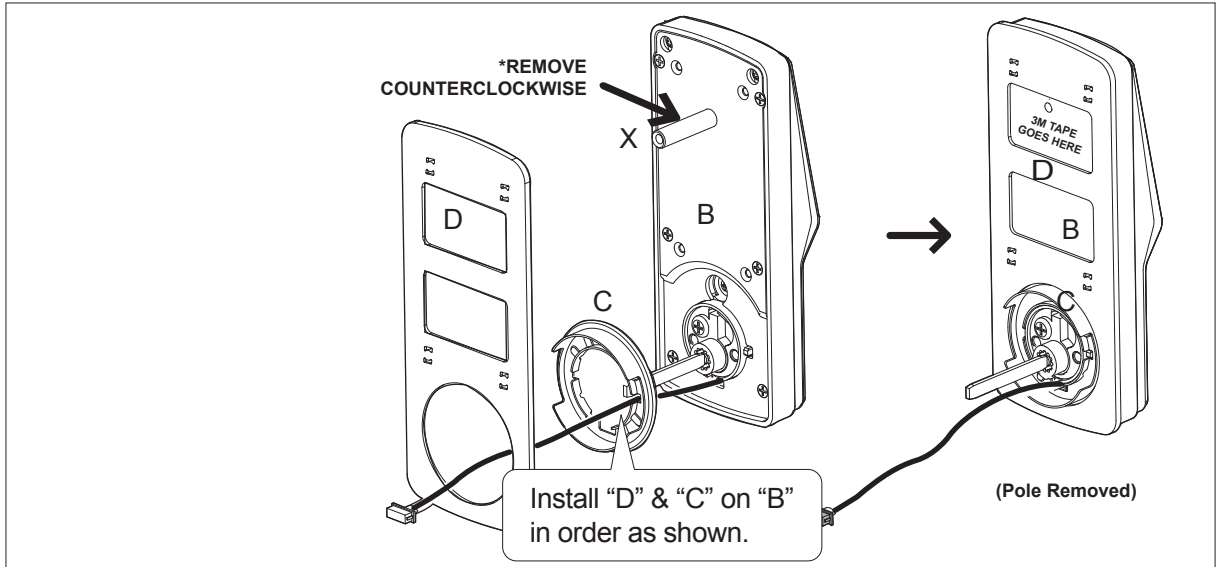
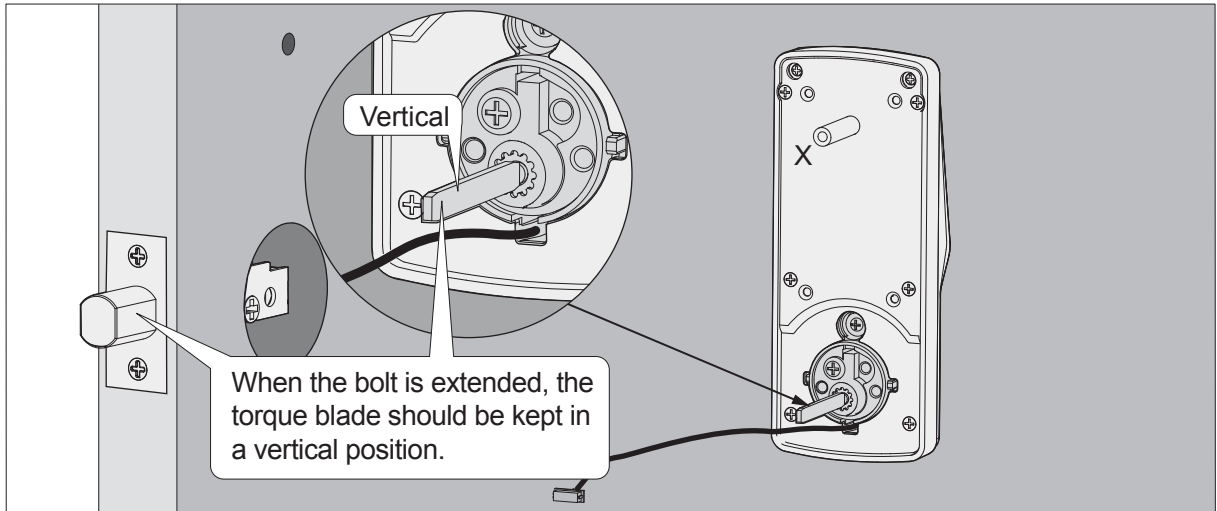
Extend the latch bolt as shown.



When installing the latch, make sure the position of the "+" mark is on the bottom part of the latch.

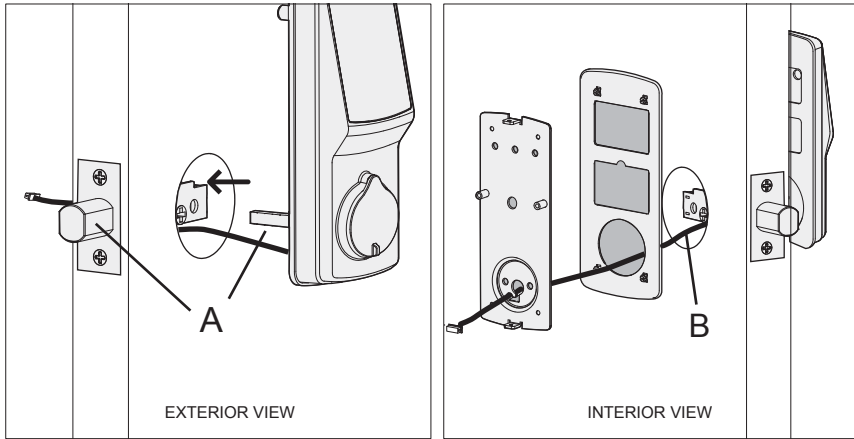
**MAKE SURE THE BOLT IS FULLY EXTENDED (LOCKED)
BEFORE INSTALLING PROCEEDING TO THE NEXT STEP**

STEP 4: PREPARING THE EXTERIOR ASSEMBLY



*The pole (Labeled X) is used if you drilled a hole in your door. It is not required. If you did not drill a hole in your door, please remove this pole with a flathead screwdriver by turning it counter clockwise. You can then apply 3M double sided tape where the pole (Labeled X) used to be. If you drilled a hole, then make sure the pole (Labeled X) is secured tight by tightening clockwise.

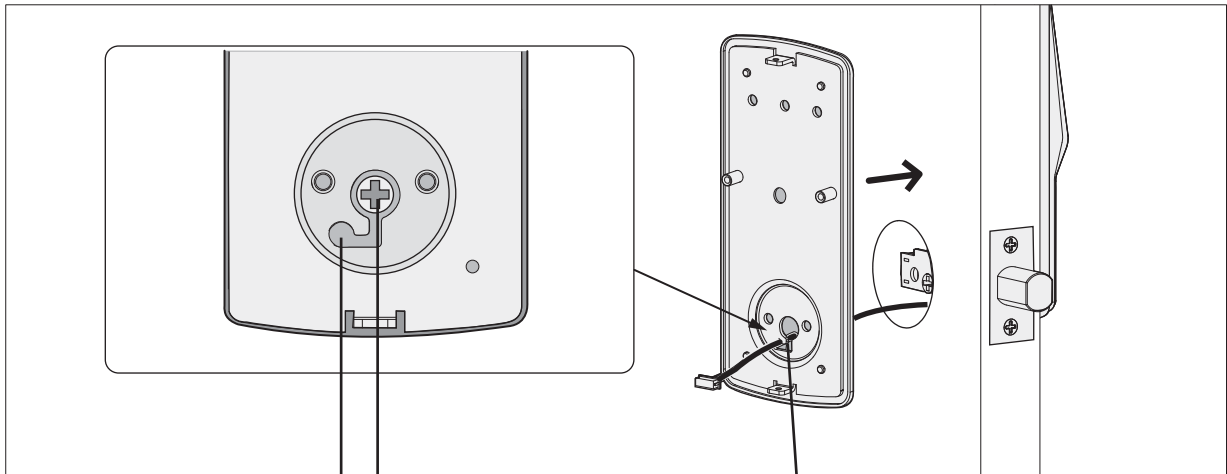
STEP 5: INSTALLING THE EXTERIOR ASSEMBLY



Note: Please use rotate the torque blade into the vertical position for installation.

A. When the bolt is extended, the torque blade should be kept in a vertical position.

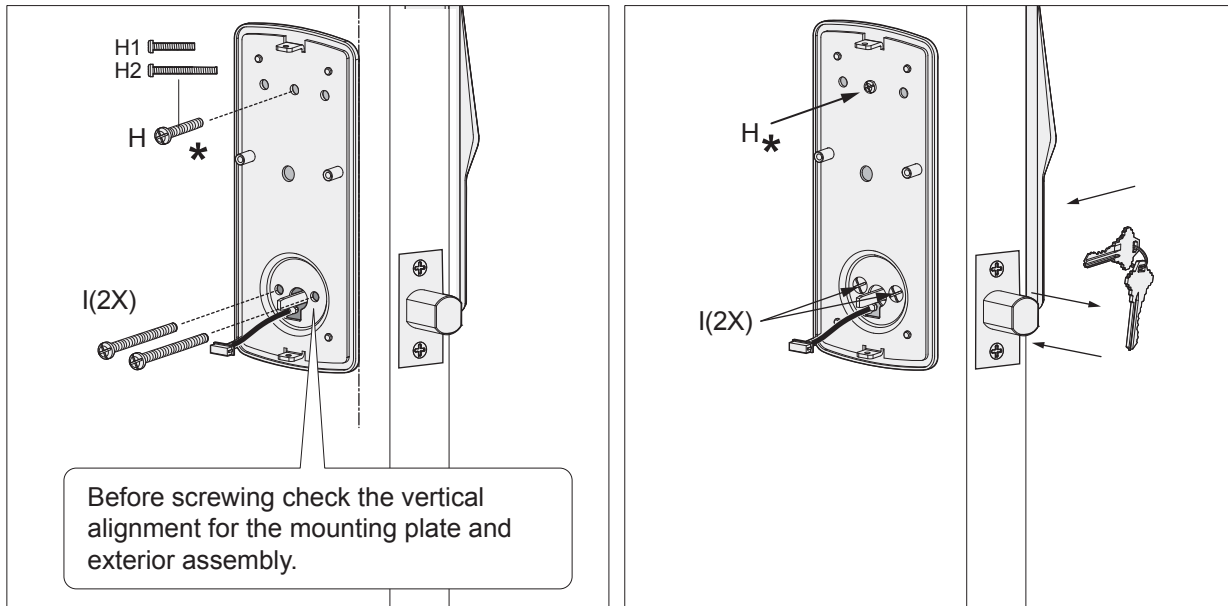
B. Make sure the cable goes underneath the latch.



Route cable through center hole, then push it into side hole.

Side Hole
Center Hole

STEP 5 (CON'TD): INSTALLING THE EXTERIOR ASSEMBLY



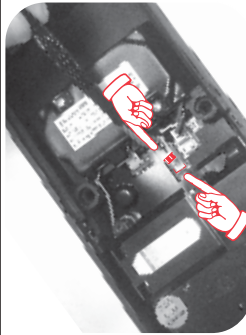
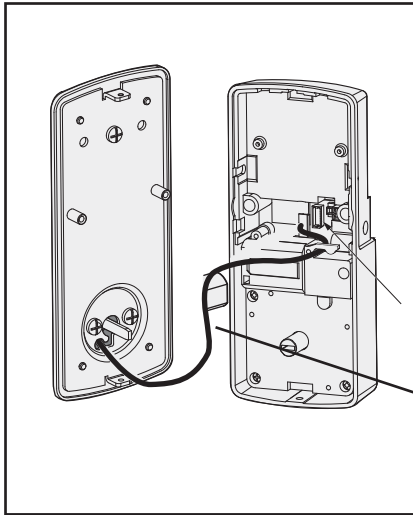
* H is only required if you drilled a hole in your door. If you did not drill a hole in your door, please do not insert H.

Depending on your door thickness, use H1 or H2 screws for the doors.

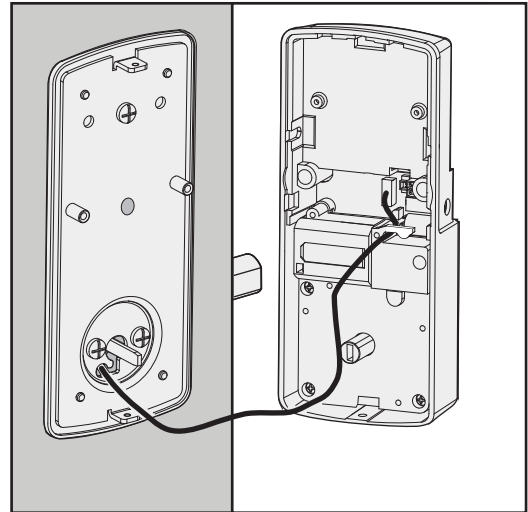
Doors with thickness of 35-43mm, use H1. Doors with thickness of 43-50mm, use H2.

After installation, please use the physical key to test the door latch. If the bolt does not retract or extend smoothly, adjust the screws to ensure the bolt system works smoothly.

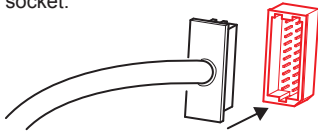
STEP 6: INSTALLING INTERIOR ASSEMBLY



Connect the cable.



Please insert the RED face of the cable connector into the socket marked in RED. Make sure the connector is securely fixed to the socket.



Torque Blade

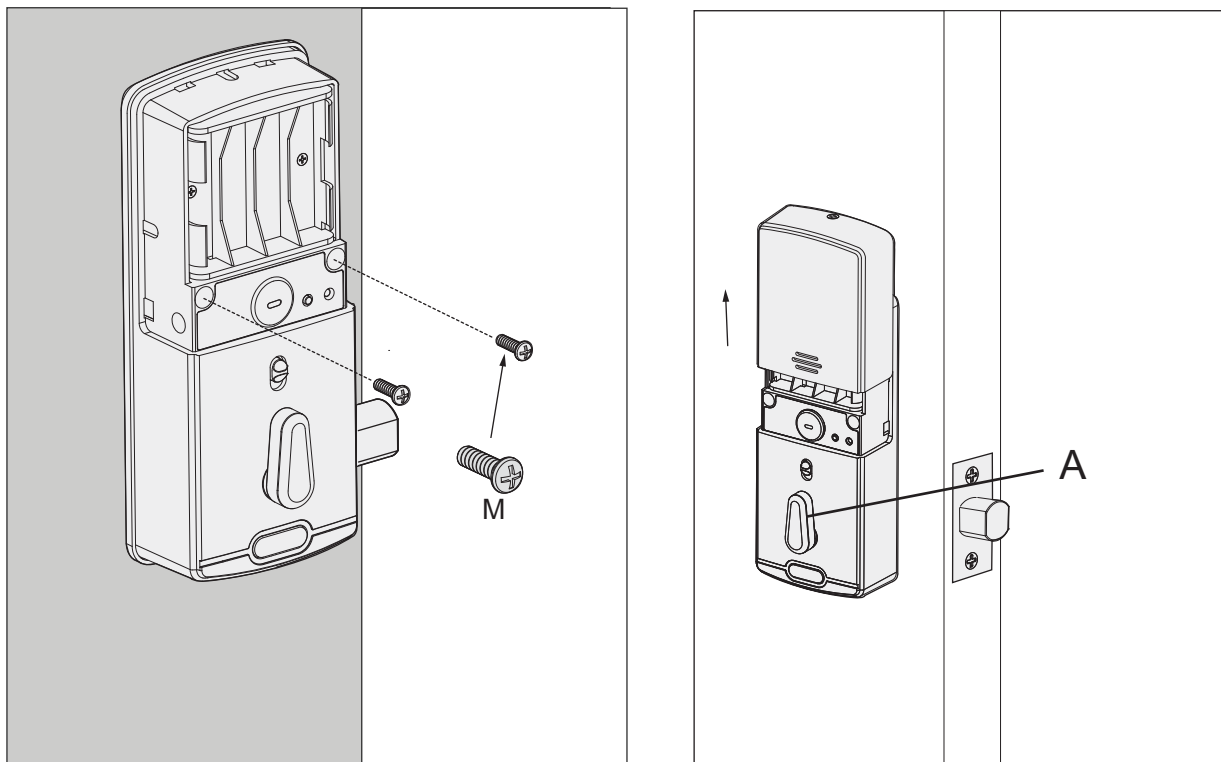
Thumb turn shaft



Push the thumb turn shaft into the torque blade.

MAKE SURE IT IS IN THE VERTICAL POSITION

STEP 7: SECURING Lockly™ SECURE



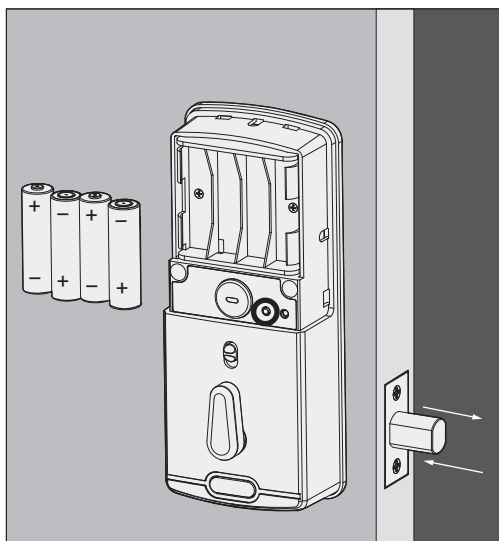
A. Make sure the thumbturn is in a vertical position.


Make sure the cover is removed so you can install batteries, but don't install batteries yet.



Warning: Do not install the batteries yet!

STEP 8: INSTALLING BATTERIES



First install 3 of the 4 batteries. Before installing the last battery, press and hold the **PROGRAM** button  while installing the last battery until you hear a beep from Lockly™.

Lockly™ will then perform a self check and the keypad screen will start to initiate. This self check will automatically determine and set your door lock to a left open or right open door.

The self-check process is very important step to ensure the installation is done properly. Double check if the thumb turn key can be turned smoothly after this self-check process.

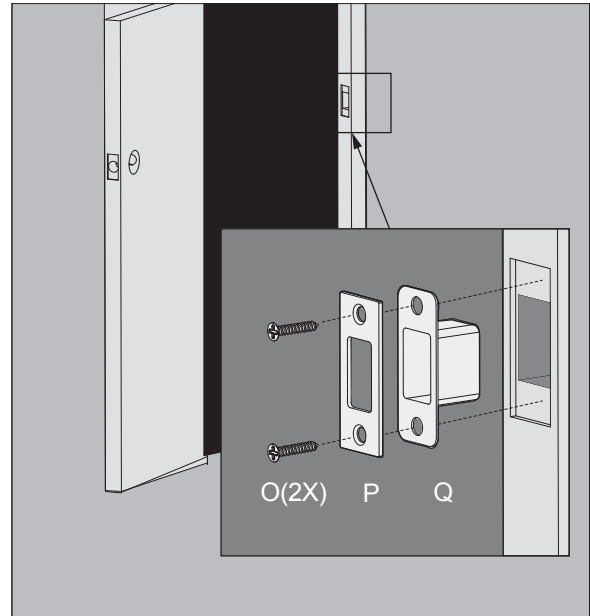
If not, go through the whole installation process again making sure all the steps are followed correctly. Do not install battery cover yet.

STEP 9: FINISHING INSTALLATION

Install the door strike.

Install the door strike to your door frame and proceed to the last step of installation of your new lock.

Notice: Do not install the battery cover just yet - you'll need to program Lockly™ before doing so.



You're all done! You have completed the Lockly™ Secure physical lock installation and now you're ready to get the lock set up. Download the Lockly™ app from the iOS or Google Play Store to complete your installation.



Scan or visit [Lockly.com/app](https://lockly.com/app)



For an online version of this installation guide and videos, visit:

<http://lockly.com/help>