



Item #722-493
Model #99432

INSTALLATION AND OPERATION

CEILING FAN REMOTE CONTROL



Questions, problems, missing parts? Before returning to the store, call Customer Service 8 a.m. - 6 p.m., EST, Monday-Friday, 9 a.m. - 6 p.m., EST Saturday
1-855-HD HAMPTON
HAMPTONBAY.COM

We appreciate the trust and confidence you have placed in Hampton Bay through the purchase of this remote control. We strive to continually create quality products designed to enhance your home. Visit us online to see our full line of products available for your home improvement needs. Thank you for choosing Hampton Bay!

Safety Information

- WARNING:** To avoid possible electrical shock, turn the electricity off at the main fuse box before wiring. If you feel you do not have enough electrical wiring experience, contact a licensed electrician.
- CAUTION:** Incorrect wire connections will damage this receiver.
- CAUTION:** To reduce the risk of fire or injury, do not use this product in conjunction with any variable (rheostat) wall control.
- NOTE:** The battery will weaken with age and should be replaced before leaking takes place as this will damage the hand unit. Dispose of the used battery properly, keep the battery out of the reach of children.

- YOU MUST SET CEILING FAN TO HIGH SPEED AND LIGHT KIT (IF ANY) TO ON POSITION BEFORE OPERATING REMOTE CONTROL.
- The supply to the remote control receiver should be connected through a mains switch, i.e. existing wall switch.
- Disconnect from power supply at wall switch before working on remote control receiver or ceiling fan.
- Install receiver into the ceiling fan canopy of the fan to ensure proper protection.
- This unit is to be used for the control of ceiling fan and in a AC110/120V 60Hz power supply only.
- Do not install in damp locations or immerse in water. (For indoor use only.)
- Do not pull on or cut leads shorter.
- Do not drop or bump the unit.
- Do not mix old and new batteries.
- Do not mix alkaline, standard (carbon-zinc), or rechargeable (ni-cad, ni-mh, etc.) batteries.

Warranty

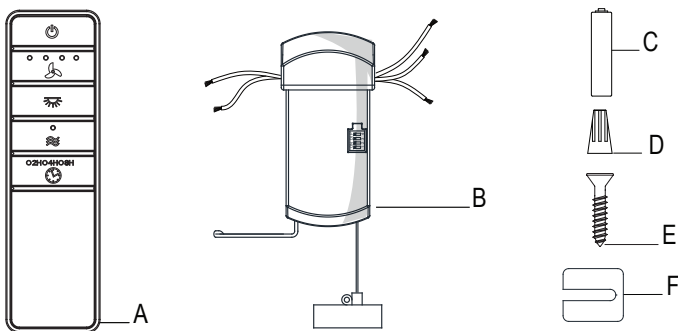
The supplier warrants the remote control and receiver to be free from defects in workmanship and material present at time of shipment from the factory for a period of one year after the date of purchase by the original purchaser. We agree to correct such defects without charge or at our option replace with a comparable or superior model if the product is returned. To obtain warranty service, you must present a copy of the receipt as proof of purchase. All costs of removing and reinstalling the product are your responsibility. Damage to any part such as by accident or misuse or improper installation or by affixing any accessories, is not covered by this warranty. Servicing performed by unauthorized persons shall render the warranty invalid. There is no other express warranty. Home Depot hereby disclaims any and all warranties, including but not limited to those of merchantability and fitness for a particular purpose to the extent permitted by law. The duration of any implied warranty which cannot be disclaimed is limited to the time period as specified in the express warranty. Some states do not allow a limitation on how long an implied warranty lasts, so the above limitation may not apply to you. The retailer shall not be liable for incidental, consequential, or special damages arising out of or in connection with product use or performance except as may otherwise be accorded by law. Some states do not allow the exclusion of incidental or consequential damages, so the above exclusion or limitation may not apply to you. This warranty gives specific legal rights, and you may also have other rights which vary from state to state. This warranty supersedes all prior warranties. Shipping costs for any return of product as part of a claim on the warranty must be paid by the customer. Contact the Customer Service Team at 1-855-HD HAMPTON or visit www.HAMPTONBAY.COM

Pre-Installation

TOOLS REQUIRED



PACKAGE CONTENTS



IMPORTANT: This product and/or components are governed by one or more of the following U.S. Patents: 5,947,436; 5,988,580; 6,010,110; 6,046,416, 6,210,117 and other patents pending.

Part	Description	Quantity
A	Remote control	1
B	Receiver	1
C	AAA 1.5V battery	2
D	Plastic wire connector	5
E	White painting screw	1
F	Rubber isolated pad	2

Installation

1 Setting the codes on the remote control and receiver

NOTE: The frequencies on your receiver and hand unit have been preset at the factory. Before installing the receiver, make sure the dip switches on the receiver and hand unit are set to the same frequency. The dip switches on the hand unit are located inside the battery compartment.

NOTE: The battery will weaken with age and should be replaced before leaking takes place as this will damage the hand unit. Dispose of the used battery properly, keep the battery out of the reach of children.

NOTE: It is imperative that the code used for both transmitter and receiver is exactly the same, otherwise remote controller will not work.

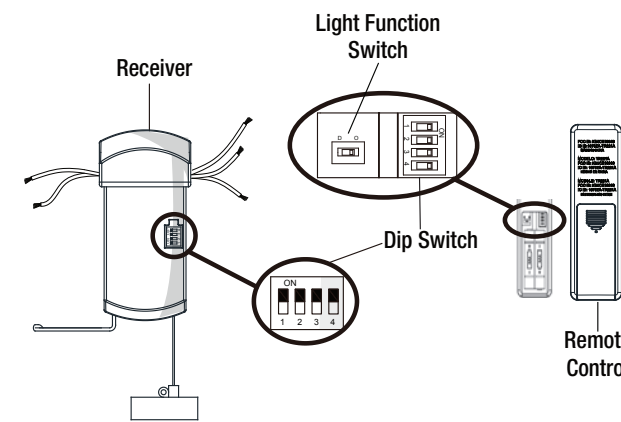
Setting the Code on the Remote

Remove the battery cover on the back of the remote control by pressing firmly on the arrow and sliding the cover off. Slide the code switches to your choice of either up or down. The factory setting is up. For fans with dimmable bulbs, slide the "Light Function" switch (0/D) to the position marked "D". If you are using non dimmable bulbs slide the "Light Function" switch to the "0" position.

Install two 1.5V AAA batteries (included). Replace the battery cover on the remote control.

Setting the Code on the Receiver

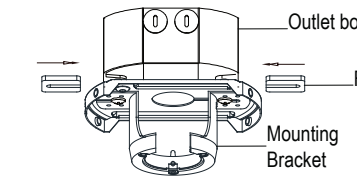
Slide the code switches on the receiver to the same positions as set on the remote control.



Installation (continued)

2 Installing the rubber isolated pads

Loosen the two screws provided with the outlet box; insert two rubber isolated pads (F) between the mounting bracket and the outlet box; firmly tightened the two screws.



3 Installing the receiver

WARNING: To reduce the risk of fire or electric shock, remember to disconnect power. The electrical wiring must meet all local and national electrical code requirements. The electrical source and fan must be 110/120 volt, 60Hz. Do not use this product in conjunction with any variable wall control. Incorrect wire connection can damage this receiver.

CAUTION: If fan or house wires are a different color, have this unit installed by a licensed electrician.

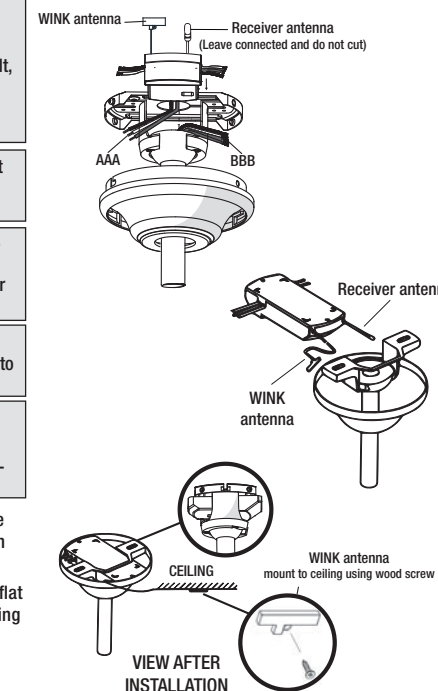
CAUTION: Do not install in a damp location or immerse in water (For indoor use only). Do not pull on or cut leads shorter. Do not drop or bump the unit.

NOTE: The ceiling fan must be set at HIGH speed and light kit (if installed) should be set to the ON position.

NOTE: For better performance with the WINK system, the T-shaped antenna stick should be mounted to the ceiling outside of the fan's ceiling canopy using the pre-mounted double-stick tape and wood screw (included).

Position the house supply wires (AAA) to one side of the slide-on mounting bracket; position the fan wires (BBB) to the opposite side.

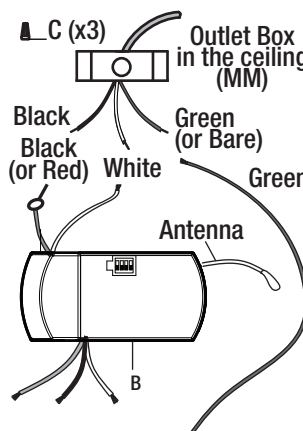
Insert the narrow end of the receiver (as shown, flat side towards the ceiling) into the slide-on mounting bracket until it rests on top of the ball/downrod assembly. The canopy comes up to cover the receiver and bracket.



Installation (continued)

4 Wiring the receiver to the household wiring

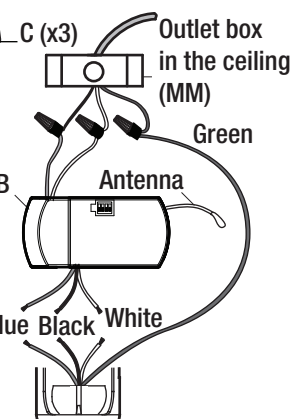
- WARNING:** To avoid possible electrical shock, turn the electricity off at the main fuse box before wiring. If you feel you do not have enough electrical wiring knowledge or experience, contact a licensed electrician.
- WARNING:** Each wire not supplied with this fan is designed to accept up to one 12-gauge house wire and two wires from the fan. If you have larger than 12-gauge house wiring or more than one house wire to connect to the fan wiring, consult an electrician for the proper size wire nuts to use.
- IMPORTANT:** Use the wire connecting nuts (AA) supplied with your fan. Secure the connectors with electrical tape and ensure there are no loose strands or connections.



Spread the wires apart so that the green and white wires are on one side of the outlet box and the black wire is on the other side. Connect the green fan wires to the household ground wire (this may be a green or bare wire) using a wire connecting nut (AA). Connect the receiver black (or red) wire to the household black (hot) wire using a wire connecting nut (AA). Connect the receiver white wire to the household white wire (neutral) wire using a wire connecting nut (AA). Secure each wire connecting nut using electrical tape.

5 Wiring the fan to the receiver

IMPORTANT: Use the wire connecting nuts (AA) supplied with your fan. Secure the connectors with electrical tape and ensure there are no loose strands or connections.



Connect the fan motor white wire to the receiver white wire using a wire connecting nut (AA). Connect the fan motor black wire to the receiver black wire using a wire connecting nut (AA). Connect the fan motor blue wire to the receiver blue wire using a wire connecting nut (AA). Secure each wire connecting nut using electrical tape. Turn the wire connecting nut (AA) upward and push the wiring into the outlet box (MM).

Operating Your Remote Control

1 Operating the remote control

Press and release the button to turn the fan on or off.

Press and hold the button for 3 seconds to use the "walk away time delay"; this will activate the light for 30 seconds (if you are using dimmable bulbs the light will be activated at 50% brightness).

- Fan Speed - LED's on the fan speed button will illuminate to the corresponding speed.

- - Press button once - turns the fan on high speed.
- - Press button twice - turns the fan on medium-high speed.
- - Press button three times - turns the fan on medium-low speed.
- - Press button four times - turns the fan on low speed.
- - Press button five times - fan will turn off.

Light ON/OFF

Press and release the button to turn the light on or off.

If you are using dimmable bulbs and you have previously set the dip switch in your remote control to the "D" position, press and hold the button to activate the dimmer function.

Comfort Breeze™ - Press and release the button to enable Comfort Breeze™; this will change your fan speed randomly, simulating a relaxing breeze. To cancel this feature press or

- Timer

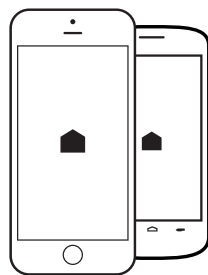
- ⌚ - While the fan is on press button once - turns on a 2 hour run timer.
- ⌚⌚ - While the fan is on press button twice - turns on a 4 hour run timer.
- ⌚⌚⌚ - While the fan is on press button three times - turns on a 8 hour run timer.



Operating Fan with the WINK App

1 Downloading the WINK Application

Using your smart device, navigate to the application store (Apple App Store or Google Play). Download the free WINK app and create an account.



2 Connecting to the WINK Hub

Ensure your WINK Hub is connected to WiFi by confirming the indicator light is a solid blue color.

With the app open, select "add a product." Choose the WINK Hub and follow the instructions on the app to add your fan.

NOTE: Be sure your WINK Hub is plugged in and within range of your fan. Refer to WINK HUB user manual for the range.



3 Pairing the Fan to the WINK Hub

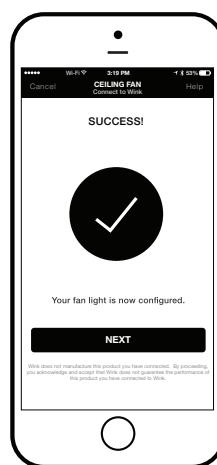
When instructed, turn on your fan. Once pairing is successful, the fan will turn on at low speed and the light will blink 5 times.

NOTE: If using a dimmer with these lights, set dimmer at highest setting for best results.

NOTE: Reset your fan if the pairing is taking longer than expected. Turn off your fan for 3 seconds, then turn it back on for 3 seconds. Repeat these steps 5 times. The light will blink 3 times when factory reset is successful. If the pairing failed, please reset the device to original setting and re-start the pairing.

Fan Light Settings

- During set up, the customer is asked if the fan has a light kit.
- If your fan has a light, select "Fan Light On."
- If your fan does not have a light, select "Fan Light Off."
- Press SAVE to confirm.



Control the Fan with the WINK App

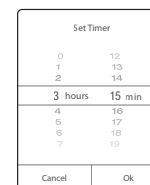
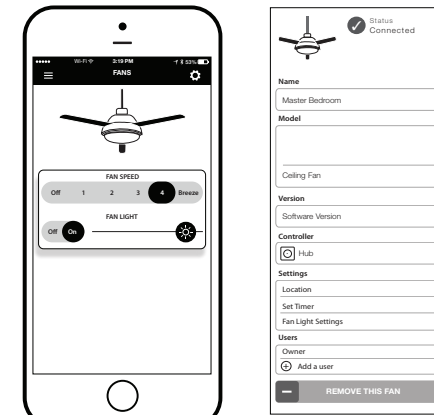
4 Operating Your Remote Control

- Fan Speed**
 - OFF - Turns fan off
 - 1- Turns the fan to Low speed.
 - 2- Turns the fan to Medium speed.
 - 3- Turns the fan to Medium 2 speed.
 - 4- Turns the fan to High speed.
 - BREEZE- Randomly alternates fan speeds to create an organic breeze effect.

- Fan Light**
 - OFF/ON - Turns fan light off or on.
 - Select and slide to dim or brighten light.

Timer

- When on "fan control screen," press settings button in upper right corner to display the settings panel.
- Select fan to display control panel.
- Scroll down the control panel and select "Set Timer."
- Scroll through the hours and minute columns to select the duration of the timer.
- Press OK to start the timer.



This equipment has been tested and found to comply with the limits for a Class B digital device, pursuant to Part 15 of the FCC Rules. These limits are designed to provide reasonable protection against harmful interference in a residential installation. This equipment generates, uses and can radiate radio frequency energy and, if not installed and used in accordance with the instructions, may cause harmful interference to radio communications. However, there is no guarantee that interference will not occur in a particular installation. If this equipment does cause harmful interference to radio or television reception, which can be determined by turning the equipment off and on, the user is encouraged to try to correct the interference by one or more of the following measures:

- Reorient or relocate the receiving antenna.
- Increase the separation between the equipment and receiver.
- Connect the equipment into an outlet on a circuit different from that to which the receiver is connected.
- Consult the dealer or an experienced radio/TV technician for help.

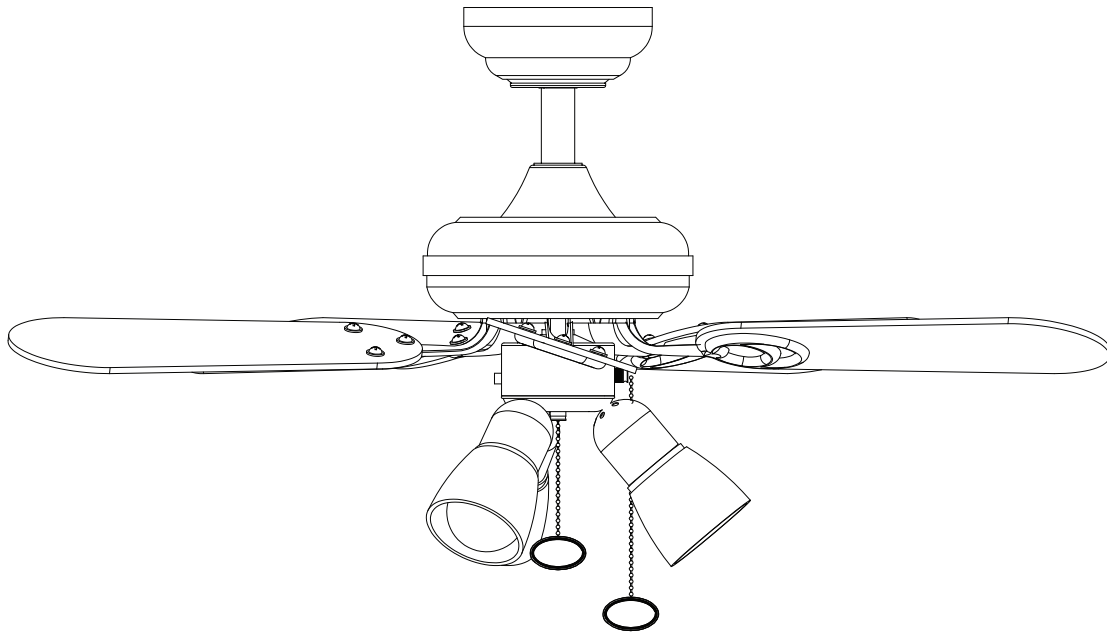
CAUTION: Any changes or modifications not expressly approved by the grantee of this device could void the user's authority to operate the equipment. FCC ID: KJLJCE10406, KJLJCE10407
This device complies with Part 15 of the FCC Rules. Operation is subject to the following two conditions: (1) This device may not cause harmful interference, and (2) this device must accept any interference received, including interference that may cause undesired operation.



Item #1002 555 067
Model #91133
UL Model #EF200-36

USE AND CARE GUIDE

SAN MARINO 36-INCH CEILING FAN



Questions, problems, missing parts? Before returning to the store,
call Hampton Bay Customer Service
8 a.m. - 6 p.m., EST, Monday-Friday.

1-855-HD-HAMPTON
HAMPTONBAY.COM

THANK YOU

We appreciate the trust and confidence you have placed in Hampton Bay through the purchase of this ceiling fan. We strive to continually create quality products designed to enhance your home. Visit us online to see our full line of products available for your home improvement needs.

Thank you for choosing Hampton Bay!

Table of Contents

Table of Contents	2	Assembly	7
Safety Information	2	Operation	13
Warranty	3	Care and Cleaning	14
Pre-Installation	3	Troubleshooting	14
Installation.....	6		

Safety Information

1. All wiring must be in accordance with the National Electrical Code ANSI/NFPA 70 and local electrical codes. Electrical installation should be performed by a qualified licensed electrician.
2. The outlet box and support structure must be securely mounted and capable of reliably supporting 35 lbs. (15.9 kg). Use only UL Listed outlet boxes marked "Acceptable for Fan Support of 35 lbs. (15.9 kg) or less."
3. The fan must be mounted with a minimum of 7.55 ft (2.3m) clearance from the trailing edge of the blades to the floor.
4. Do not operate the reversing switch while the fan blades are in motion. You must turn the fan off and stop the blades before you reverse the blade direction.
5. Do not place objects in the path of the blades.
6. Electrical diagrams are for reference only. Light kits that are not packed with the fan must be UL listed and marked suitable for use with the model fan you are installing. Switches must be UL General Use Switches. Refer to the instructions packaged with the light kits and switches for proper assembly. Use 9W LED bulbs max (included).
7. After making electrical connections, spliced conductors should be turned upward and pushed carefully up into the outlet box. The wires should be spread apart with the grounded conductor and the equipment-grounding conductor on one side of the outlet box.
8. All setscrews must be checked and retightened where necessary before installation.



WARNING: To reduce the risk of personal injury, do not bend the blade brackets (also referred to as flanges) during assembly or after installation. Do not insert objects in the path of the blades.



WARNING: Remove the rubber motor stops on the bottom of the fan before installing the blades or testing the motor.



WARNING: To reduce the risk of fire or electric shock, do not use this fan with any solid-state speed control device.



WARNING: To reduce the risk of fire, electric shock or personal injury, mount to outlet box marked "acceptable for fan support of 35 lbs. (15.9 kg) or less" and use screws provided with the outlet box.



WARNING: To avoid possible electrical shock, turn the electricity off at the main fuse box before wiring. If you feel you do not have enough electrical wiring knowledge or experience, contact a licensed electrician.



WARNING: Electrical diagrams are for reference only. The use of the apparatus shall be according with NOM-024-SCFI. Optional use of any light kit shall be marked suitable for use with this fan.



CAUTION: To reduce the risk of personal injury, use only the screws provided with the outlet box.



CAUTION: To avoid personal injury or damage to the fan and other items, use caution when working around or cleaning the fan.

Warranty

The supplier warrants the fan motor to be free from defects in workmanship and material present at time of shipment from the factory for a period of 25 years after the date of purchase by the original purchaser. The supplier also warrants that all other fan parts, excluding any glass or acrylic blades, to be free from defects in workmanship and material at the time of shipment from the factory for a period of one year after the date of purchase by the original purchaser. We agree to correct such defects without charge or at our option replace with a comparable or superior model if the product is returned. To obtain warranty service, you must present a copy of the receipt as proof of purchase. All costs of removing and reinstalling the product are your responsibility. Damage to any part such as by accident or misuse or improper installation or by affixing any accessories, is not covered by this warranty. Because of varying climatic conditions this warranty does not cover any changes in brass finish, including rusting, pitting, corroding, tarnishing, or peeling. Brass finishes of this type give their longest useful life when protected from varying weather conditions. A certain amount of "wobble" is normal and should not be considered a defect. Servicing performed by unauthorized persons shall render the warranty invalid. There is no other express warranty. Hampton Bay hereby disclaims any and all warranties, including but not limited to those of merchantability and fitness for a particular purpose to the extent permitted by law. The duration of any implied warranty which cannot be disclaimed is limited to the time period as specified in the express warranty. Some states do not allow a limitation on how long an implied warranty lasts, so the above limitation may not apply to you. The retailer shall not be liable for incidental, consequential, or special damages arising out of or in connection with product use or performance except as may otherwise be accorded by law. Some states do not allow the exclusion of incidental or consequential damages, so the above exclusion or limitation may not apply to you. This warranty gives specific legal rights, and you may also have other rights which vary from state to state. This warranty supersedes all prior warranties. Shipping costs for any return of product as part of a claim on the warranty must be paid by the customer.

Contact the Customer Service Team at 1-855-HD-HAMPTON or visit www.HamptonBay.com.

Pre-Installation

SPECIFICATIONS

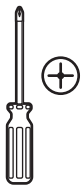
Size	Speed	Volts	Amps	Watts	RPM	CFM	Net Weight	Gross Weight	Cube Feet
36 in.	Low	120	0.21	13	103	1454	13.01 lbs. (5.9 kg)	14.99 lbs. (6.8 kg)	1.07 cu.ft.
	Medium		0.30	24	144	2065			
	High		0.43	51	209	2875			



NOTE: These are approximate measures. They do not include the Amps and Wattage used by the light kit.



TOOLS REQUIRED



Phillips
screwdriver



Flat blade
screwdriver



Adjustable
wrench



Electrical
tape



Wire
cutter



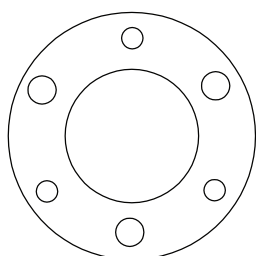
Step ladder

Pre-Installation (continued)

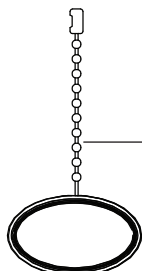
HARDWARE INCLUDED



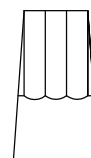
NOTE: Hardware not shown to actual size.



AA



BB



CC



DD



EE



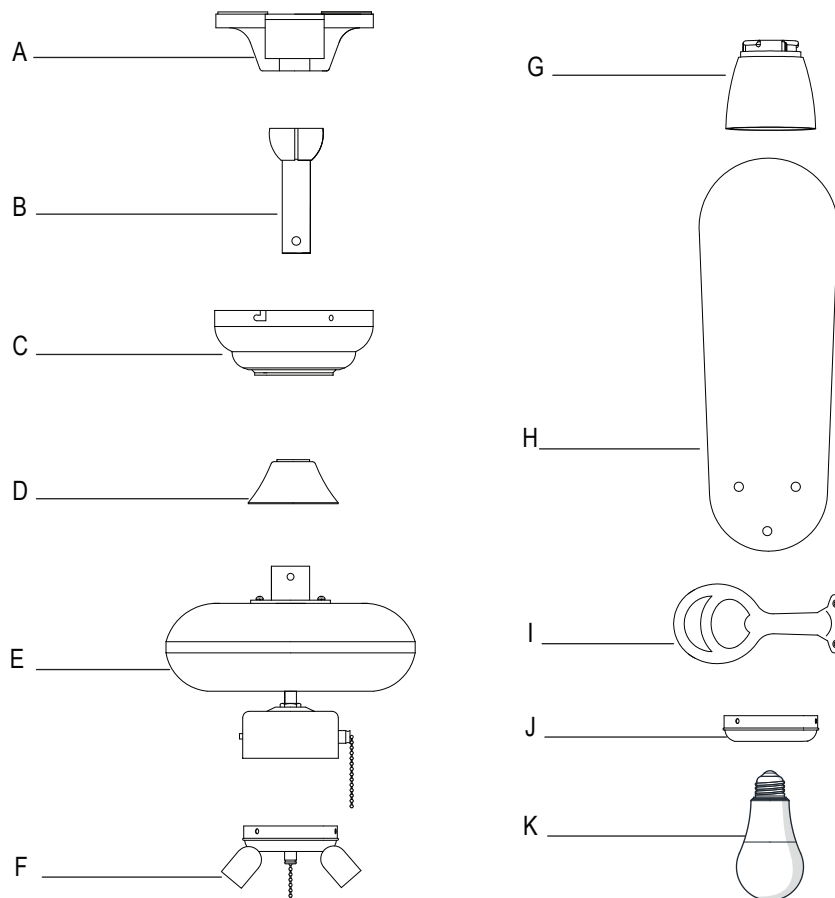
FF

Part	Description	Quantity
AA	Rubber Gasket	1
BB	Pull Chain	2
CC	Plastic Wire Connector	3

Part	Description	Quantity
DD	Hanging Pin	1
EE	Locking Pin	1
FF	Blade Screws	15

Pre-Installation (continued)

PACKAGE CONTENTS



Part	Description	Quantity
A	Slide-on mounting bracket (inside canopy)	1
B	Ball/downrod assembly	1
C	Canopy	1
D	Coupling cover	1
E	Fan motor assembly	1
F	Light kit fitter assembly	1

Part	Description	Quantity
G	Lamp shade	3
H	Blade	5
I	Blade bracket	5
J	Switch cup cover	1
K	LED light bulb (9 Watt max.)	3



IMPORTANT: This product and/or components are governed by one or more of the following U.S. Patents: 5,947,436; 5,988,580; 6,010,110; 6,046,416, 6,210,117 and other patents pending.

Installation

MOUNTING OPTIONS

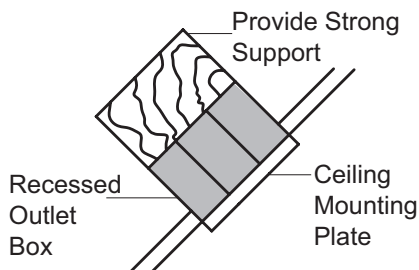
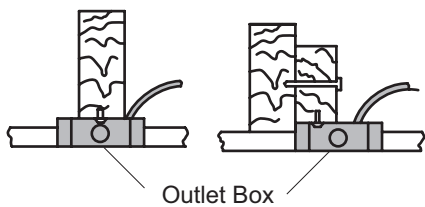
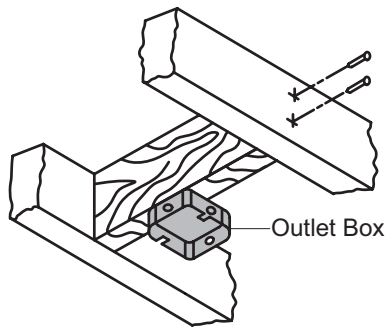


WARNING: To reduce the risk of fire, electric shock or personal injury, mount to outlet box marked "Acceptable for fan support of 35 lbs. (15.9 Kg) or less", and use screws provided with the outlet box. An outlet box commonly used for the support of lighting fixtures may not be acceptable for fan support and may need to be replaced. If in doubt, consult a qualified electrician.

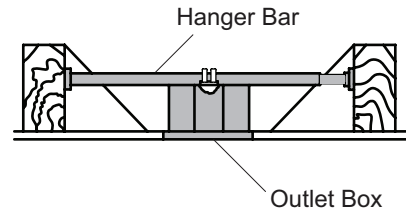
If your ceiling fan does not have an existing UL-listed mounting box, then install one using the following instructions:

- Disconnect the power by removing the fuses or turning off the circuit breakers.
- Secure the outlet box directly to the building structure. Use the appropriate fasteners and materials. The outlet box and its bracing must be able to fully support the weight of the moving fan (at least 35 lbs.). Do not use a plastic outlet box.

The illustrations below show three different ways to mount the outlet box.



NOTE: You may need a longer downrod to maintain proper blade clearance when installing on a steep, sloped ceiling. The maximum angle allowable is 30° away from horizontal.



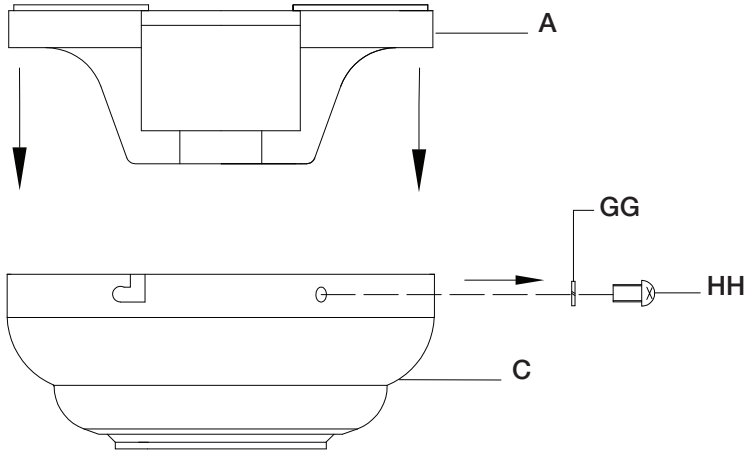
If the canopy touches the downrod, then remove the canopy bottom cover, and turn the canopy 180° before attaching the canopy to the mounting plate.

To hang your fan where there is an existing fixture but no ceiling joist, you may need an installation hanger bar as shown above (available at any Home Depot store).

Assembly - Standard Ceiling Mount

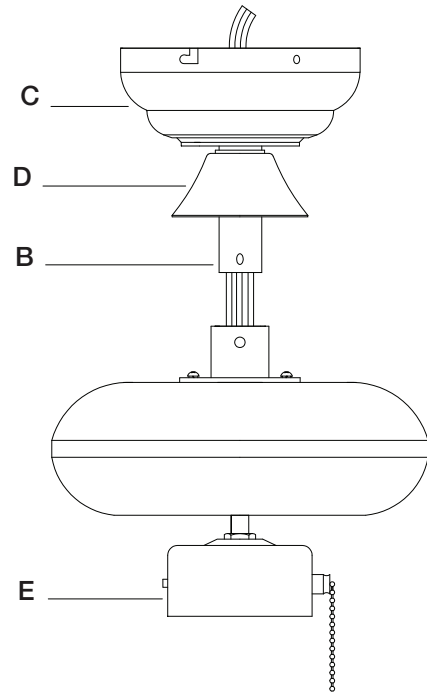
1 Preparing for mounting

- Remove the mounting bracket (A) from the canopy (C) by loosening the two canopy screws (HH) located in the “L shaped” slots.
- Remove and save the two canopy screws (HH) and lockwashers (GG) in the round holes. This will enable you to remove the mounting bracket (A).



2 Routing the wires

- Route the wires exiting the top of the fan motor (E) and through the coupler cover (D).
- Make sure the slot openings are on top and route the wires through the canopy (C) and then through the ball/downrod assembly (B).

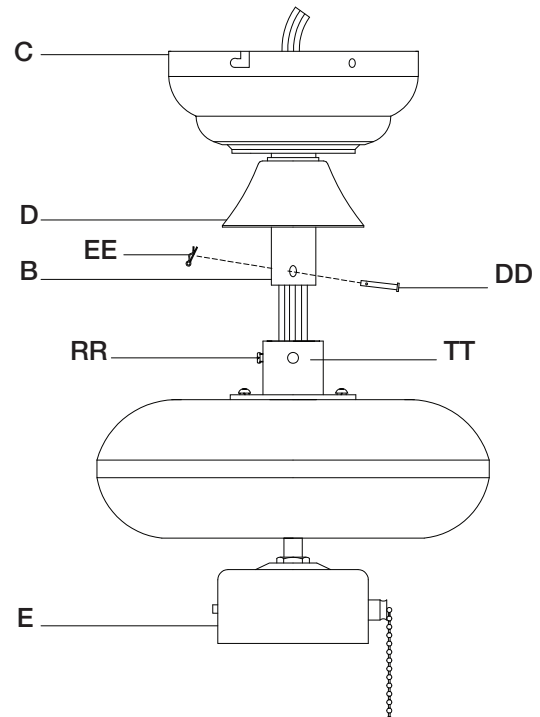


3 Assembling the fan



WARNING: Failure to properly install the locking pin could result in the fan becoming loose and possibly falling.

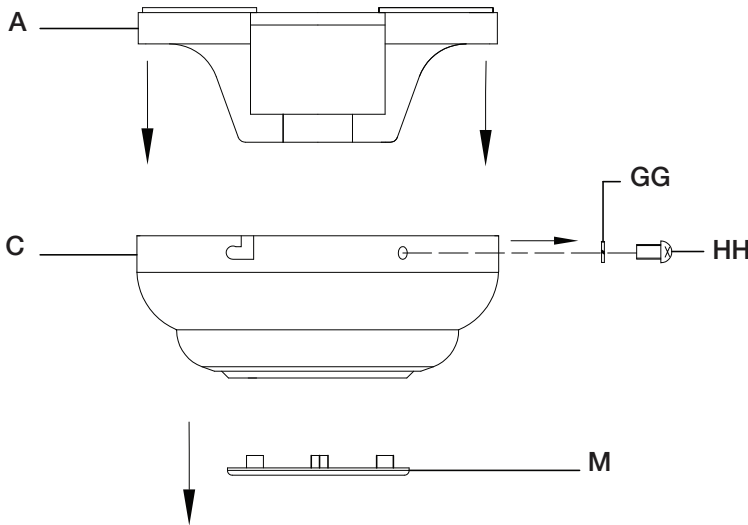
- Loosen, but do not remove, the two setscrews (RR) on the collar (TT) on top of the motor housing.
- Align the holes at the bottom of the downrod (B) with the holes in the collar (TT) on top of the motor housing.
- Carefully insert the hanger pin (DD) through the holes in the collar (TT) and downrod (B). Be careful not to jam the hanger pin (DD) against the wiring inside the downrod (B).
- Insert the locking pin (EE) through the hole near the end of the hanger pin (DD) until it snaps into its locked position.
- Re-tighten the two setscrews (RR) on the collar (TT) on top of the motor housing.



Assembly - Close-To-Ceiling Mount

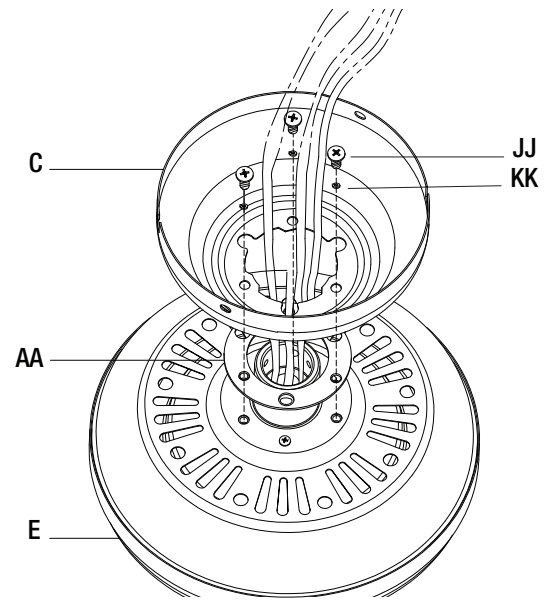
1 Close-to-Ceiling Mounting

- Remove the mounting bracket (A) from the canopy (C) by loosening the two canopy screws (HH) located in the “L shaped” slots.
- Remove and save the two canopy screws (HH) in the round holes. This will enable you to remove the mounting bracket (A).
- Remove the canopy bottom cover (M) from the canopy (C) by pressing the three studs.



2 Routing the wires

- Remove three of the six screws (JJ) and lock washers (KK) (every other one) securing the motor collar to the top of the fan motor housing (E).
- Place the rubber gasket (AA) over the remaining three screws. Make sure the slot opening is on top, then proceed to place the ceiling canopy (C) over the collar at the top of the motor (E).
- Align the mounting holes with the holes in the motor (E) and fasten, using the three screws (JJ) and lock-washers (KK) removed previously.
- Tighten the mounting screws securely.



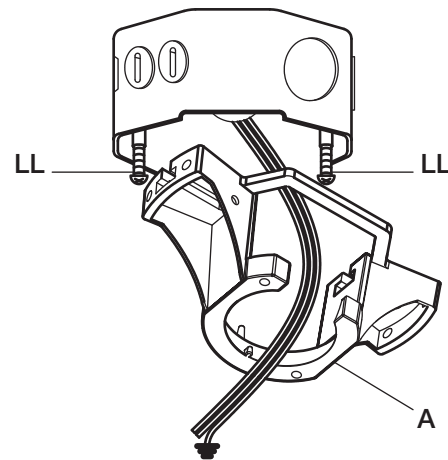
Assembly - Hanging the Fan

1 Attaching the fan to the electrical box



WARNING: To reduce the risk of fire, electric shock or personal injury, mount to outlet box marked “Acceptable for fan support of 35 lbs. (15.9 Kg) or less”, and use screws provided with the outlet box.

- Pass the 120-Volt supply wires through the center hole in the mounting bracket (A).
- Install the ceiling mounting bracket on the outlet box by sliding the mounting bracket (A) over the two screws (LL) provided with the outlet box. If necessary, use leveling washers (not included) between the mounting bracket (A) and the outlet box. Note that the flat side of the mounting bracket (A) is toward the outlet box. When using close-to-ceiling mounting, it is important that the mounting bracket be level.
- Securely tighten the two mounting screws (LL).



Assembly - Hanging the Fan (continued)

2 Hanging the fan



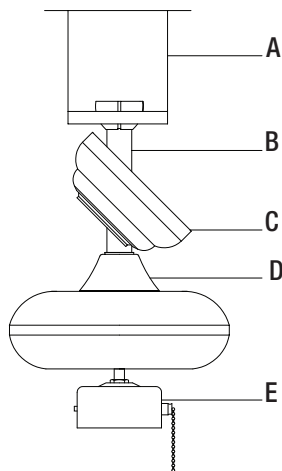
WARNING: The hook (00) is only to balance the fan while making the electrical connections. Failure to hang as shown may result in the hook (00) breaking, causing the fan to fall. The hook must pass from the inside to the outside of the canopy.



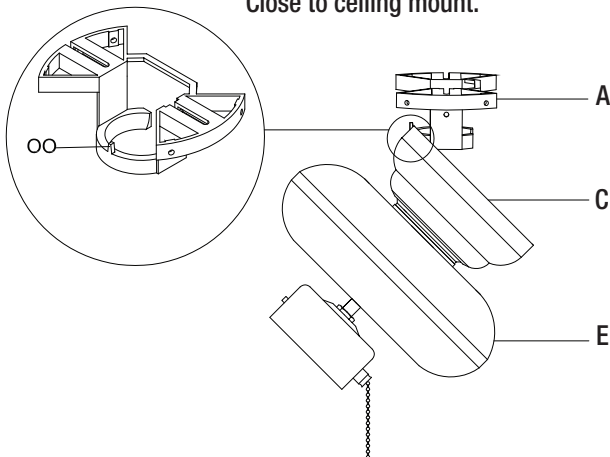
WARNING: When hanging the fan on the hook (00) it is critical that you use one of the non-slotted (round) holes in the canopy (C).

- Carefully lift the fan-motor assembly (E) up to the slide-on mounting bracket (A).
- Insert the ball portion of the ball/downrod assembly into the socket of the slide-on mounting bracket.
- Turn the ball/downrod assembly clockwise until it is seated with the tab of the slide-on mounting bracket aligned with the slot in the ball.
- If using close-to-ceiling mounting, hang the fan on the hook provided by utilizing one of the round holes at the outer rim of the ceiling canopy (C).

Standard mount.



Close to ceiling mount.



3 Making the electrical connection



WARNING: Each wire not supplied with this fan is designed to accept up to one 12-gauge house wire and two wires from the fan. If you have larger than 12-gauge house wiring or more than one house wire to connect to the fan wiring, consult an electrician for the proper size wire nuts to use.



WARNING: Remove the rubber motor stops on the bottom of the fan before installing the blades or testing the motor.



IMPORTANT: Use the plastic wire connectors (CC) supplied with your fan. Secure the connectors with electrical tape and ensure there are no loose strands or connections.



NOTE: The fan comes with 30 in. lead wires for use with an extended ball/downrod assembly. If using the 4.5 in. ball/downrod assembly (B) provided, you can cut the lead wires to your desired length (no shorter than 12 in.).

- **Please refer to WINK remote installation instructions at the beginning of this document.**

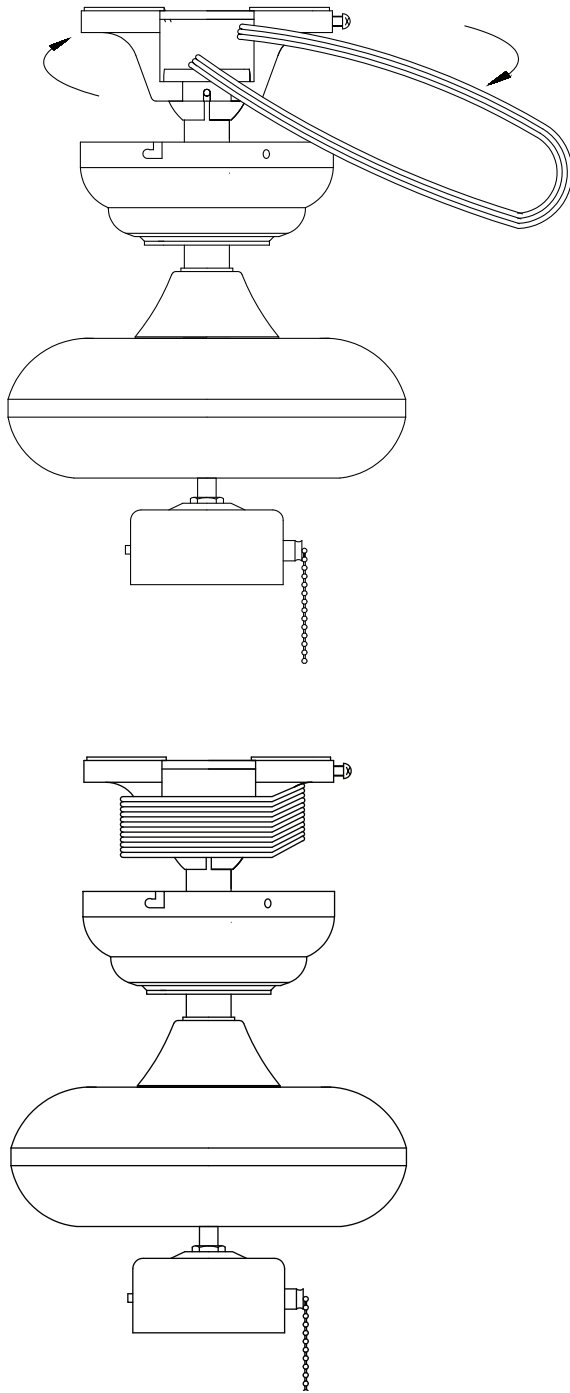
Assembly - Hanging the Fan (continued)

4 Wrapping the extra wire



NOTE: Follow this step **ONLY** if you did not cut the extra length off from the wires coming from the ceiling fan.

- Gently wrap the excess wire around the mounting bracket.
- Secure with electrical tape.



5 Mounting the fan-motor assembly (standard mount)

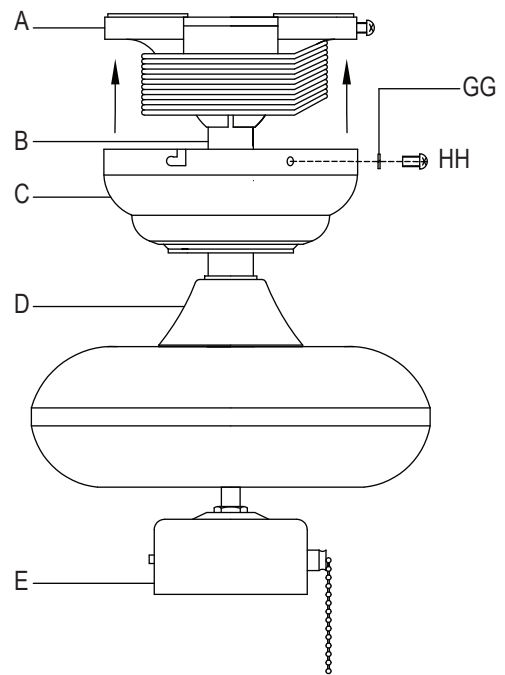


WARNING: When using the standard ball/downrod mounting, the tab in the ring at the bottom of the mounting bracket must rest in the groove of the hanger ball. Failure to properly seat the tab in the groove could cause damage to the wiring.



WARNING: The locking slots of the ceiling canopy are provided only as an aid to mounting. Do not leave the fan assembly unattended until all four canopy screws are engaged and firmly tightened.

- Align the locking slots of the ceiling canopy (C) with the two screws in the mounting bracket (A). Push up to engage the slots and turn clockwise to lock in place.
- Firmly tighten the two mounting screws.
- Install the two mounting screws (HH) and lock washers (GG) (saved from Assembly Step 1 "Preparing for mounting") into the holes in the canopy (C) and tighten firmly.



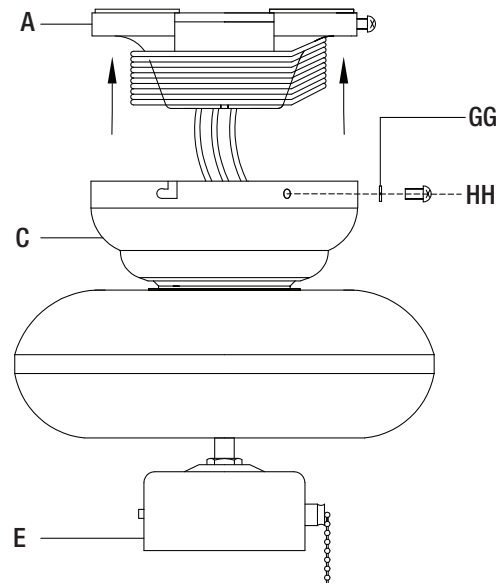
Assembly - Hanging the Fan (continued)

6 Mounting the fan-motor assembly (close-to-ceiling mount)



WARNING: The locking slots of ceiling canopy are provided only as an aid to mounting. Do not leave the fan assembly unattended until all four canopy screws are engaged and firmly tightened.

- Carefully unhook the fan from the mounting bracket (A) and align the locking slots of the ceiling canopy (C) with the two screws in the mounting bracket (A). Push up to engage the slots and turn clockwise to lock in place. Immediately tighten the two mounting screws firmly.
- Install the two mounting screws (HH) and lock washers (GG) (saved from Assembly Step 1 "Preparing for mounting" into the holes in the canopy (C) and tighten firmly.
- You may now proceed to attaching the fan blades.



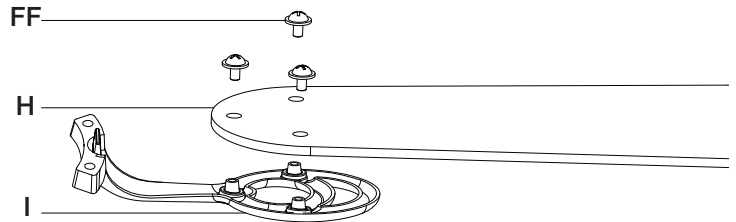
Assembly - Attaching the Fan Blades

1 Attaching the fan blades



NOTE: Your fan blades are reversible. Select the blade side finish which best accentuates your decor.

- Mount the fan blades (H) to the blade bracket (I) by aligning the three key-slot holes in the blade (H).
- Insert and tighten the three blade screws (FF) in the blade bracket holes.
- Repeat for the remaining blades (H).

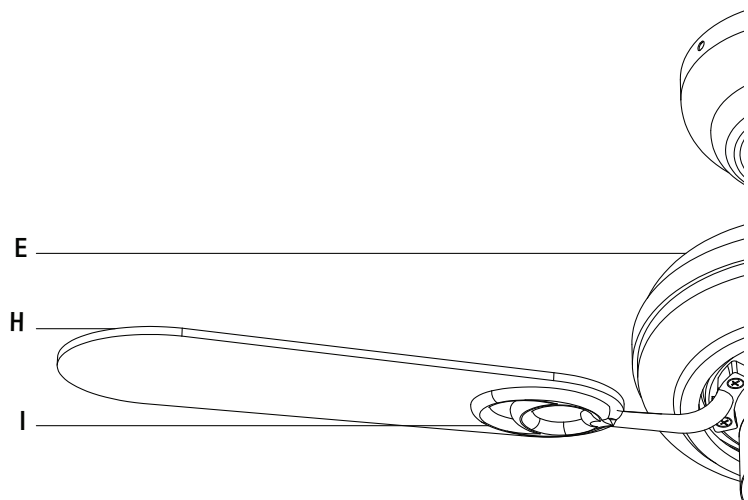


2 Attaching the blade brackets



NOTE: Your fan blades are reversible. Select the blade side finish which best accentuates your decor.

- Fasten the blade bracket (I) to the motor (E) by inserting the alignment post into the slot on the bottom of the fan-motor assembly (E) and tightening the motor screws.
- Repeat for the remaining four blade brackets (I).



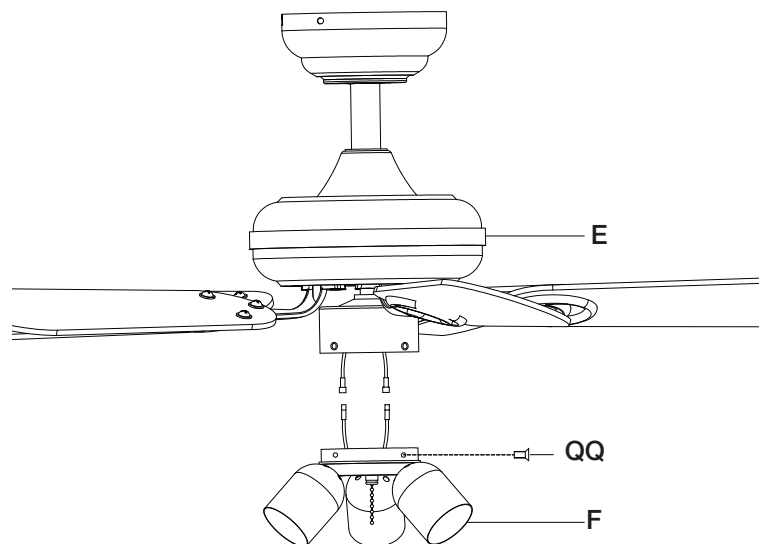
Assembly - Attaching the Light Kit

1 Attaching the light kit



WARNING: To reduce the risk of electric shock, disconnect the electrical supply circuit to the fan before installing the light kit.

- Remove the three screws (QQ) from the light kit fitter assembly (F).
- Connect the wires exiting the bottom of the motor assembly (E) by connecting the molded adaptor plugs together (blue to blue, and white to white).
- Slide the light kit (F) and secure it to the switch housing using the three screws (QQ) that were removed in the first step.



2 Installing the bulbs and attaching the lamp shade



CAUTION: Make sure the power is off before attaching or removing the lamp shade (G).

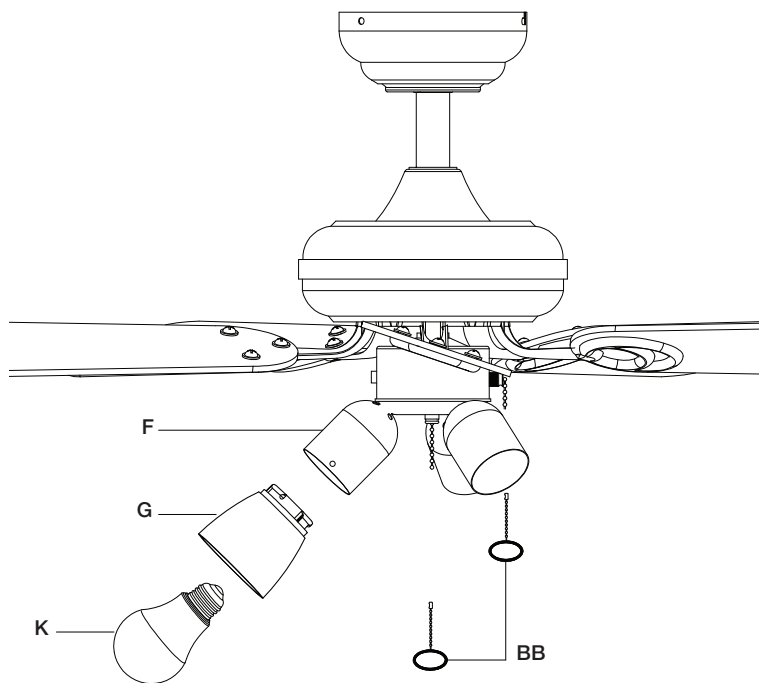


CAUTION: Over lamping the fan will result in the fan lights shutting down until the proper wattage bulbs are installed. Reset the lights by turning off the power, replacing the bulbs with the correct wattage bulbs, and turn the power on.



WARNING: Allow the lamp shade (G) to cool completely before removing.

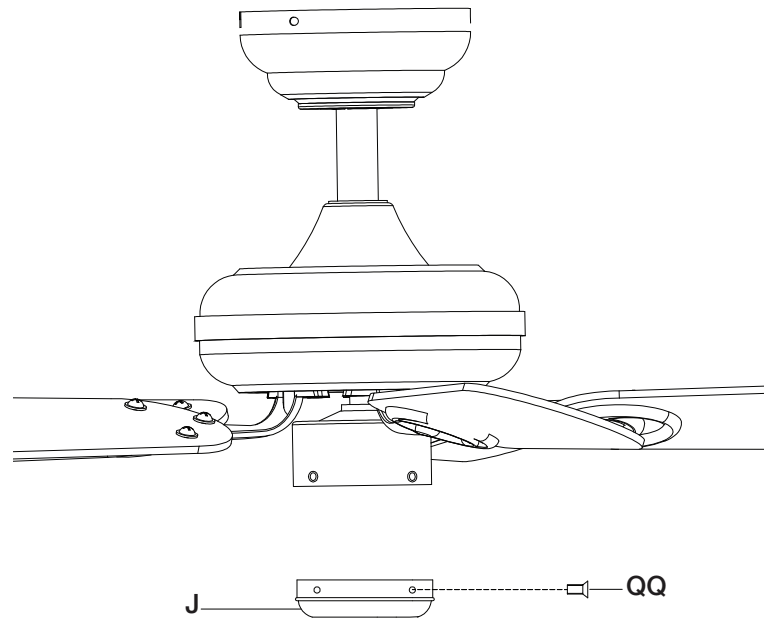
- Gently slide the lamp shade (G) over the lamp holder. Make sure the lamp shade (G) is fully inserted into the socket for a secure fit. Repeat for the remaining lamp shades (G).
- With the power off, insert and tighten the light bulbs (K) (included) into light kit sockets. Use 9W LED bulbs.
- Attach the pull chain extensions (BB).



Assembly - Attaching without the Light Kit

1 Assembling the fan without light kit

- Remove the three light kit mounting screws (QQ) from the switch cup cover (J).
- In order to use the fan without the light kit, remove the switch cup cover (J) from the top of the light kit fitter assembly (F) by removing the center hex nut inside the switch cup cover (J), and then thread the switch cup cover off of the threaded nipple on the top of the light kit fitter assembly (F).
- Position the switch cup cover (J) onto the bracket and reinstall the light kit mounting screws (QQ).



Operation

Turn on the power and check the operation of the fan. The pull chain controls the fan speeds as follows:

1 pull - High, 2 pulls - Medium, 3 pulls - Low, 4 pulls - off

The appropriate speed settings for warm or cool weather depends on factors such as the room size, ceiling height, and number of fans.

The slide switch controls (XX) the direction of the blades: Forward (switch down) or Reverse (switch up).

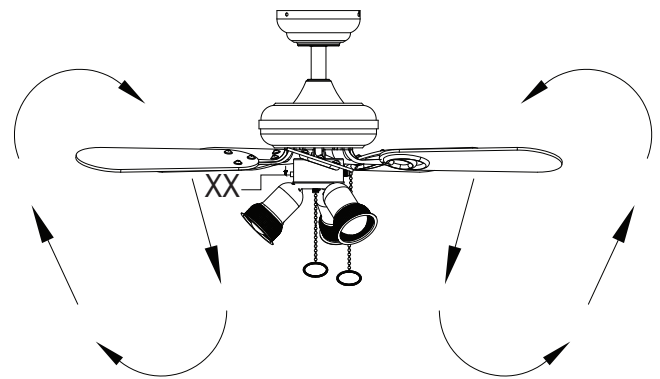


NOTE: Wait for the fan to stop before reversing the direction of blade rotation.

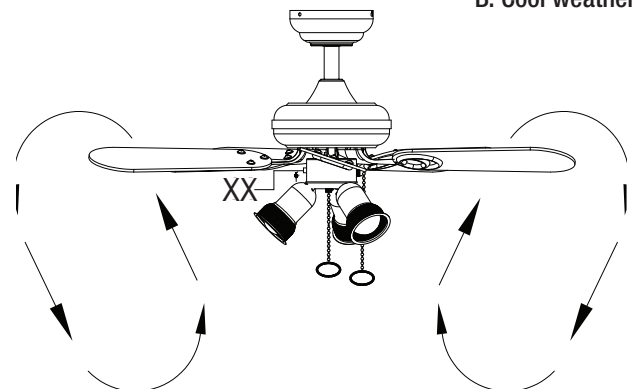
A. Warm weather - (Forward) A downward airflow creates a cooling effect. This allows you to set your air conditioner on a warmer setting without affecting your comfort.

B. Cool weather - (Reverse) An upward airflow moves warm air off of the ceiling. This allows you to set your heating unit on a cooler setting without affecting your comfort.

A. Warm weather



B. Cool weather



Care and Cleaning



WARNING: Make sure the power is off before cleaning your fan.

- Because of the fan's natural movement, some connections may become loose. Check the support connections, brackets, and blade attachments twice a year. Make sure they are secure. It is not necessary to remove the fan from the ceiling.
- Clean your fan periodically to help maintain its new appearance over the years. Do not use water when cleaning, as this could damage the motor, or the wood, or possibly cause an electrical shock. Use only a soft brush or lint-free cloth to avoid scratching the finish. The plating is sealed with a lacquer to minimize discoloration or tarnishing.
- You can apply a light coat of furniture polish to the wood for additional protection and enhanced beauty. Cover small scratches with a light application of shoe polish.
- You do not need to oil your fan. The motor has permanently-lubricated sealed ball bearings.

Troubleshooting

Problem	Solution
The fan will not start.	<ul style="list-style-type: none"><input type="checkbox"/> Check the main and branch circuit fuses or breakers.<input type="checkbox"/> Check the line wire connections to the fan and switch wire connections in the switch housing.
The fan is noisy.	<ul style="list-style-type: none"><input type="checkbox"/> Ensure all motor housing screws are snug.<input type="checkbox"/> Ensure the screws that attach the fan blade bracket to the motor hub are tight.<input type="checkbox"/> Ensure the wire nut connections are not rattling against each other or the interior wall of the switch housing.<input type="checkbox"/> Allow a 24-hour "breaking in" period. Most noises associated with a new fan disappear during this time.<input type="checkbox"/> If you are using the Ceiling Fan light kit, ensure the screws securing the glassware are tight. Check that the light bulbs are also secure.<input type="checkbox"/> Ensure the canopy is a short distance from the ceiling. It should not touch the ceiling.<input type="checkbox"/> Ensure your outlet box is secure and rubber isolator pads were used between the mounting plate and outlet box.
The fan wobbles.	<ul style="list-style-type: none"><input type="checkbox"/> Check that all blade and blade arm screws are secure.<input type="checkbox"/> Most fan wobble problems are caused when blade levels are unequal. Check this level by selecting a point on the ceiling above the tip of one of the blades. Measure from a point on the center of each blade to the point on the ceiling. Measure this distance. Rotate the fan until the next blade is positioned for measurement. Repeat for each blade. Any measurement deviation should be within 1/8 in. Run the fan for ten minutes.<input type="checkbox"/> Use the enclosed blade balancing kit if the blade wobble is still noticeable.



Questions, problems, missing parts? Before returning to the store,
call Hampton Bay Customer Service
8 a.m. - 6 p.m., EST, Monday-Friday

1-855-HD-HAMPTON

HAMPTONBAY.COM

Retain this manual for future use.

The appliance is not to be used by persons (including children) with reduced physical, sensory or mental capabilities, or lack of experience and knowledge, unless they have been given supervision or instruction. Children should be supervised to ensure that they do not play with the appliance.