

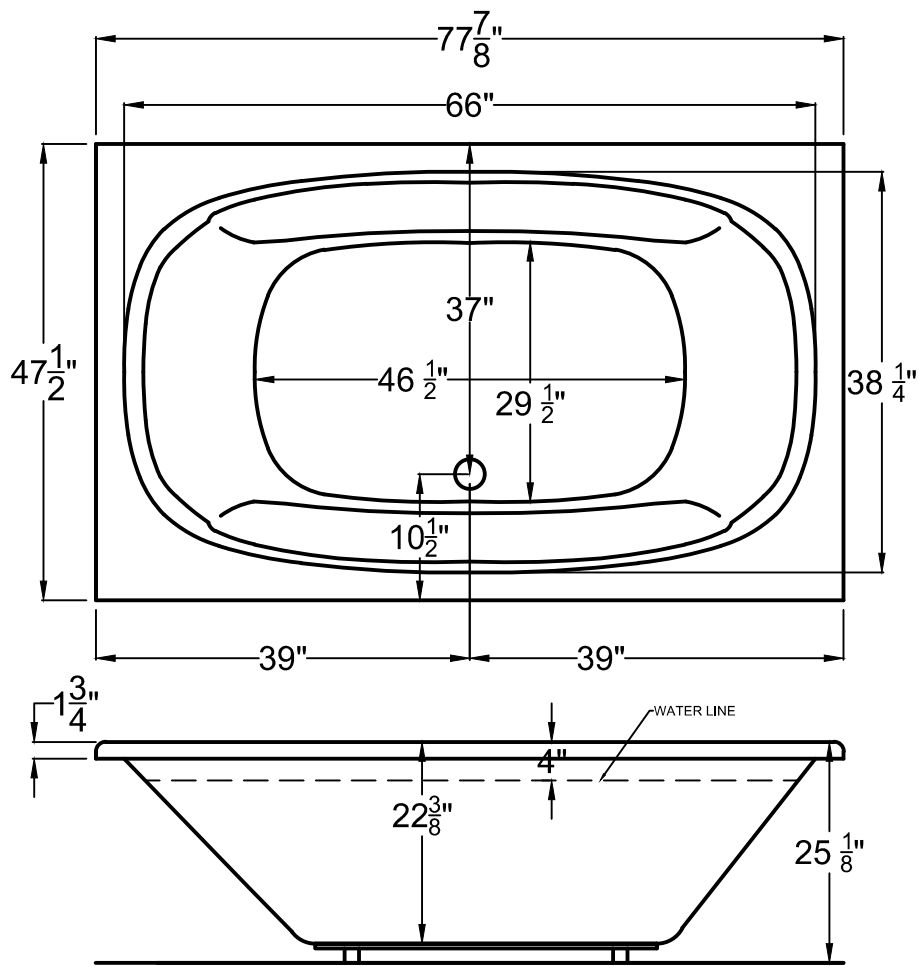
# Universal tubs

your doorway to independent bathing

Thank you for choosing Universal Tubs the nationwide manufacturer of walk-in tubs, bathtubs and bathroom fixtures exclusively made for the Home Depot.



For toll-free information or to speak to a knowledgeable representative simply call **1-877-360-4454** or visit us online at **[www.UniversalTubs.com](http://www.UniversalTubs.com)** or email us at **[info@UniversalTubs.com](mailto:info@UniversalTubs.com)**.



**4878C**

$47\frac{1}{2}$ " x  $77\frac{7}{8}$ " x 25"

Installation: Drop-in  
cannot be under mounted

**GENERAL SPECIFICATIONS:**

**Material Acrylic**

**Plumbed Weight :** 145lbs / 66kg

**Soaker Weight :** 115lbs / 52kg

**Average Fill:** 70 gal to above jet level

**ELECTRICAL SPECIFICATIONS:**

Required Electrical Service 110 Volt

Air Bath or Whirlpool 1-15 amp GFCI

Whirlpool with Inline Heater 1-20 amp GFCI

Whirlpool and Air 1-20 amp GFCI

Soaker

**PACKAGES AND OPTIONS**

Hydrotherapy Package	Package Contents	Part #
Soaker	Soaking bath - no jets, textured bottom	4878CS
Whirlpool	Adjustable pointed-massage jets, 1-hp pump, textured bottom	4878CH
Air Bath	Air jets, Air blower, Textured bottom	4878CA
Whirlpool and Air	Adjustable pointed-massage jets, 1-hp pump, Air jets, Air blower, textured bottom	4878CD

- OPTIONS
- Colors Available - White Biscuit
- Quick Ship - reduces lead time - call for availability
- Inline Heater with Pump - Whirlpool or Whirlpool and Air
- Lift & Turn Drain Kit -Chrome,Brushed Nickel, White
- Color Match Jets.

**IMPORTANT INFORMATION**

- Before ordering or installing, please consider future access to equipment.
- Add bedding compound to fully level and support bottom of tub.
- Tubs equipped with an air bath or a pre-leveled foam base are designed to rest on the floor without bedding compound, provided the floor is level.
- Please measure tub on-site before building tub decking.
- Jet, pump & blower locations are predetermined and cannot be changed.
- Suction and control locations may vary.
- Specifications and configurations are subject to change without notice.
- Measurements are +1/2" and are subject to change without notice.
- Measurements herein supersede all others published prior to publication date shown below.