

RF23M8090SR

SAMSUNG

Samsung Counter-Depth, 4-Door Refrigerator

23 cu. ft. Capacity



Signature Features

FlexZone™

- Versatile, mid drawer fridge compartment with 4 Temperature Control Settings and Smart Divider.

Auto Water Fill

- Easily create delicious, refreshing flavored water right from your refrigerator.

Built-In Look

- Sleek, built-in design.

Available Colors



Stainless Steel



Black Stainless Steel (shown)



FlexZone™



Auto Water Fill

Features

- 4-Door Counter-Depth Design
- 4-Step Metal Cooling FlexZone™ Drawer
- Large Capacity – 23 cu. ft.
- Twin Cooling Plus®
- WiFi Ready
- External Filtered Water and Ice Dispenser
- Touch Button Display
- High-Efficiency LED Lighting
- ENERGY STAR® Compliant
- Tempered Glass Shelves
- Gallon Door Bins
- Two Clear Crispers
- Take Out Box

Convenience

- Door Alarm
- Water Filter Indicator
- Dispenser Lock
- Energy Saver

Rating



ENERGY STAR®-rated:
CEE Tier 1
663 kWh/yr

RF23M8090SR

SAMSUNG

Samsung Counter-Depth, 4-Door Refrigerator

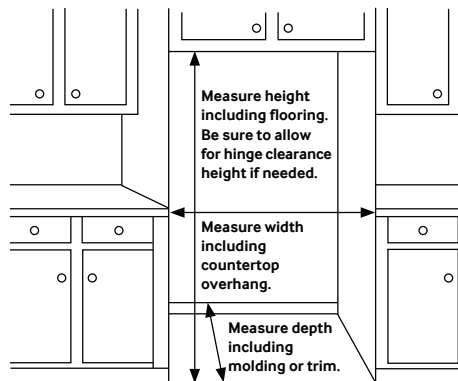
23 cu. ft. Capacity

Installation Specifications

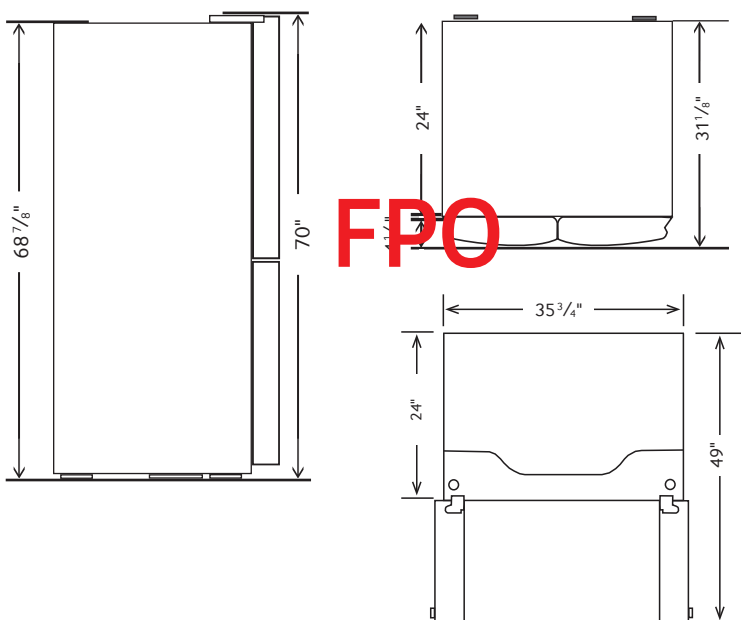
1. Measure the height, width and depth of the opening, making sure to include baseboards, molding tile, countertop overhang, etc. Check to be sure there is enough room to open the door (consider walls, islands or other obstacles when measuring).
2. Refer to illustration below to determine dimensions.
3. Allow 2.5" of clearance on hinge side of refrigerator when installing next to a wall where handle may make contact.
4. Allow 1" minimum clearance at rear for proper air circulation and water/electrical connections. Allow a 3/8" minimum clearance at sides and top for ease of installation.
5. Ensure each door and entryway in the home is wide enough for the refrigerator to be moved through easily.

For optimal usage and to be able to open refrigerator doors completely, do not install next to a wall.

Please note: The following dimension and cutout information is for planning purposes only. For complete installation details, consult manual packed with product, or download manual online at samsung.com.



Dimensions



Total Capacity: 22.68 cu. ft.

Refrigerator: 13.2 cu. ft.

- Premium External Filtered Water and Ice Dispenser (Crushed or Cubed Ice)
- High-Efficiency LED Lighting
- 2 Crispers
- 5 Tempered Glass Shelves
 - 1 Slide-in
 - 1 Foldable Half
 - 2 Fixed
- 7 Door Bins
 - Right Door: 3 Gallon Bins
 - Left Door: 4 Regular Bins

FlexZone™ Drawer: 2.8 cu. ft.

- Metal Cooling Plate
- 4 Temperature Zones with Smart Divider:
 - Meat/Fish (29°F)
 - Cold Drinks (33°F)
 - Deli/Snacks (37°F)
 - Wine/Party Dishes (42°F)

Freezer: 6.7 cu. ft.

- EZ-Open Handle™
- Take Out Box
- 1 Drawer Divider
- High-Efficiency LED Lighting

Warranty

One (1) Year Parts and Labor on Refrigerator

Five (5) Years Parts and Labor on Sealed Refrigeration System Only*

Ten (10) Years Parts and Five (5) Years

Labor on Digital Inverter Compressor

*Compressor, evaporator, condenser, drier, connecting tubing

Product Dimensions & Weight

Dimensions (WxHxD with hinges, handles and doors):

35³/₄" x 70" x 31¹/₈"

Dimensions (WxHxD without hinges and door):

35³/₄" x 68⁷/₈" x 24"

Dimensions (WxHxD with hinge and door, no handle):

35³/₄" x 70" x 28⁷/₈"

Weight: 330.6 lbs.

Shipping Dimensions & Weight (WxHxD)

Dimensions: 38¹/₄" x 77¹/₂" x 31¹/₄"

Weight: 354.9 lbs.

Color

Stainless Steel

Black Stainless Steel

Model

RF23M8090SR

RF23M8090SG

UPC Code

887276192628

887276192611