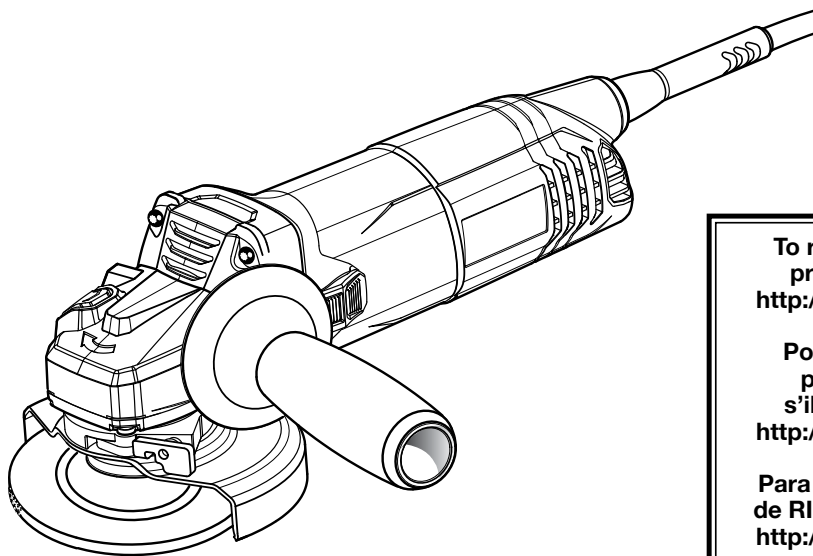


OPERATOR'S MANUAL MANUEL D'UTILISATION MANUAL DEL OPERADOR

4-1/2 in. ANGLE GRINDER 115 mm (4-1/2 po) MEULEUSE D'ANGLE 115 mm (4-1/2 pulg.) AMOLADORA ANGULAR

R1006



To register your RIDGID product, please visit:
<http://register.RIDGID.com>

Pour enregistrer votre produit de RIDGID, s'il vous plaît la visite:
<http://register.RIDGID.com>

Para registrar su producto de RIDGID, por favor visita:
<http://register.RIDGID.com>

INCLUDES: Angle Grinder, Grinding Wheel, Side Handle, Wrench, Operator's Manual

TABLE OF CONTENTS

- Safety Rules2-3
- Specific Safety Rules3-5
- Symbols..... 6
- Electrical..... 7
- Features..... 8
- Assembly8-9
- Operation..... 10
- Maintenance..... 11
- Figures (Illustrations)12-14
- Parts Ordering and ServiceBack page

INCLUT : Meuleuse d'angle, meule, poignée latérale, clé, manuel d'utilisation

TABLE DES MATIÈRES

- Règles de sécurité généraux2-3
- Règles de sécurité particulières3-5
- Symboles..... 5
- Caractéristiques électriques..... 6
- Caractéristiques 8
- Assemblage.....8-9
- Utilisation 10
- Entretien 11
- Figures (illustrations).....12-14
- Commande de pièces et dépannagePage arrière

INCLUYE: Amoladora angular, muela abrasiva, mango lateral, llave, manual del operador

ÍNDICE DE CONTENIDO

- Reglas de seguridad generales2-3
- Reglas de seguridad específicas....3-5
- Símbolos..... 6
- Aspectos eléctricos 7
- Características..... 8
- Armado8-9
- Funcionamiento 10
- Mantenimiento 11
- Figuras (ilustraciones) 12-14
- Pedidos de piezas y servicioPág. posterior

WARNING :

To reduce the risk of injury, the user must read and understand the operator's manual before using this product.

AVERTISSEMENT :

Pour réduire les risques de blessures, l'utilisateur doit lire et veiller à bien comprendre le manuel d'utilisation avant d'employer ce produit.

ADVERTENCIA:

Para reducir el riesgo de lesiones, el usuario debe leer y comprender el manual del operador antes de usar este producto.

**SAVE THIS MANUAL FOR
FUTURE REFERENCE**

**CONSERVER CE MANUEL
POUR FUTURE RÉFÉRENCE**

**GUARDE ESTE MANUAL
PARA FUTURAS CONSULTAS**

GENERAL SAFETY RULES

WARNING!

Read all instructions. Failure to follow all instructions listed below may result in electric shock, fire and/or serious injury. The term “power tool” in all of the warnings listed below refers to your mains-operated (corded) power tool or battery-operated (cordless) power tool.

SAVE THESE INSTRUCTIONS

WORK AREA SAFETY

- **Keep work area clean and well lit.** Cluttered or dark areas invite accidents.
- **Do not operate power tools in explosive atmospheres, such as in the presence of flammable liquids, gases or dust.** Power tools create sparks which may ignite the dust or fumes.
- **Keep children and bystanders away while operating a power tool.** Distractions can cause you to lose control.

ELECTRICAL SAFETY

- **Power tool plugs must match the outlet. Never modify the plug in any way. Do not use any adapter plugs with earthed (grounded) power tools.** Unmodified plugs and matching outlets will reduce risk of electric shock.
- **Avoid body contact with earthed or grounded surfaces such as pipes, radiators, ranges and refrigerators.** There is an increased risk of electric shock if your body is earthed or grounded.
- **Do not expose power tools to rain or wet conditions.** Water entering a power tool will increase the risk of electric shock.
- **Do not abuse the cord. Never use the cord for carrying, pulling or unplugging the power tool. Keep cord away from heat, oil, sharp edges or moving parts.** Damaged or entangled cords increase the risk of electric shock.
- **When operating a power tool outdoors, use an extension cord suitable for outdoor use.** Use of a cord suitable for outdoor use reduces the risk of electric shock.

PERSONAL SAFETY

- **Stay alert, watch what you are doing and use common sense when operating a power tool. Do not use a power tool while you are tired or under the influence of drugs, alcohol or medication.** A moment of inattention while operating power tools may result in serious personal injury.
- **Use safety equipment. Always wear eye protection.** Safety equipment such as dust mask, non-skid safety shoes, hard hat, or hearing protection used for appropriate conditions will reduce personal injuries.
- **Avoid accidental starting. Ensure the switch is in the off-position before plugging in.** Carrying power tools with your finger on the switch or plugging in power tools that have the switch on invites accidents.

- **Remove any adjusting key or wrench before turning the power tool on.** A wrench or a key left attached to a rotating part of the power tool may result in personal injury.
- **Do not overreach. Keep proper footing and balance at all times.** This enables better control of the power tool in unexpected situations.
- **Dress properly. Do not wear loose clothing or jewelry. Keep your hair, clothing and gloves away from moving parts.** Loose clothes, jewelry or long hair can be caught in moving parts.
- **If devices are provided for the connection of dust extraction and collection facilities, ensure these are connected and properly used.** Use of these devices can reduce dust-related hazards.
- **Do not wear loose clothing or jewelry. Contain long hair.** Loose clothes, jewelry, or long hair can be drawn into air vents.
- **Do not use on a ladder or unstable support.** Stable footing on a solid surface enables better control of the power tool in unexpected situations.

POWER TOOL USE AND CARE

- **Do not force the power tool. Use the correct power tool for your application.** The correct power tool will do the job better and safer at the rate for which it was designed.
- **Do not use the power tool if the switch does not turn it on and off.** Any power tool that cannot be controlled with the switch is dangerous and must be repaired.
- **Disconnect the plug from the power source and/or the battery pack from the power tool before making any adjustments, changing accessories, or storing power tools.** Such preventive safety measures reduce the risk of starting the power tool accidentally.
- **Store idle power tools out of the reach of children and do not allow persons unfamiliar with the power tool or these instructions to operate the power tool.** Power tools are dangerous in the hands of untrained users.
- **Maintain power tools. Check for misalignment or binding of moving parts, breakage of parts and any other condition that may affect the power tool’s operation. If damaged, have the power tool repaired before use.** Many accidents are caused by poorly maintained power tools.
- **Keep cutting tools sharp and clean.** Properly maintained cutting tools with sharp cutting edges are less likely to bind and are easier to control.
- **Use the power tool, accessories and tool bits etc., in accordance with these instructions and in the manner intended for the particular type of power tool, taking into account the working conditions and the work to be performed.** Use of the power tool for operations different from those intended could result in a hazardous situation.

GENERAL SAFETY RULES

SERVICE

- **Have your power tool serviced by a qualified repair person using only identical replacement parts.** This will ensure that the safety of the power tool is maintained.

WARNING!

To reduce the risk of injury, user must read instruction manual.

- **When servicing a power tool, use only identical replacement parts. Follow instructions in the Maintenance section of this manual.** Use of unauthorized parts or failure to follow Maintenance instructions may create a risk of shock or injury.

SPECIFIC SAFETY RULES

SAFETY WARNINGS COMMON FOR GRINDING, SANDING, AND WIRE BRUSHING OPERATIONS

- **This power tool is intended to function as a grinder, sander and wire brush. Read all safety warnings, instructions, illustrations and specifications provided with this power tool.** Failure to follow all instructions listed below may result in electric shock, fire and/or serious injury.
- **Operations such as polishing or cutting-off are not recommended to be performed with this power tool.** Operations for which the power tool was not designed may create a hazard and cause personal injury.
- **Do not use accessories which are not specifically designed and recommended by the tool manufacturer.** Just because the accessory can be attached to your power tool, it does not assure safe operation.
- **The rated speed of the accessory must be at least equal to the maximum speed marked on the power tool.** Accessories running faster than their RATED SPEED can break and fly apart.
- **The outside diameter and the thickness of your accessory must be within the capacity rating of your power tool.** Incorrectly sized accessories cannot be adequately guarded or controlled.
- **The arbour size of wheels, flanges, backing pads or any other accessory must properly fit the spindle of the power tool.** Accessories with arbor holes that do not match the mounting hardware of the power tool will run out of balance, vibrate excessively and may cause loss of control.
- **Do not use a damaged accessory. Before each use inspect the accessory such as abrasive wheels for chips and cracks, backing pad for cracks, tear or excess wear. If power tool or accessory is dropped, inspect for damage or install an undamaged accessory. After inspecting and installing an accessory, position yourself and bystanders away from the plane of the rotating accessory and run the power tool at**

maximum no-load speed for one minute. Damaged accessories will normally break apart during this test time.

- **Wear personal protective equipment. Depending on application, use face shield, safety goggles or safety glasses. As appropriate, wear dust mask, hearing protectors, gloves and workshop apron capable of stopping small abrasive or workpiece fragments.** The eye protection must be capable of stopping flying debris generated by various operations. The dust mask or respirator must be capable of filtering particles generated by your operation. Prolonged exposure to high intensity noise may cause hearing loss.
- **Keep bystanders a safe distance away from work area. Anyone entering the work area must wear personal protective equipment.** Fragments of workpiece or of a broken accessory may fly away and cause injury beyond immediate area of operation.
- **Hold power tool by insulated gripping surfaces only, when performing an operation where the cutting accessory may contact hidden wiring or its own cord.** Cutting accessory contacting a “live” wire may make exposed metal parts of the power tool “live” and shock the operator.
- **Position the cord clear of the spinning accessory.** If you lose control, the cord may be cut or snagged and your hand or arm may be pulled into the spinning accessory.
- **Never lay the power tool down until the accessory has come to a complete stop.** The spinning accessory may grab the surface and pull the power tool out of your control.
- **Do not run the power tool while carrying it at your side.** Accidental contact with the spinning accessory could snag your clothing, pulling the accessory into your body.
- **Regularly clean the power tool’s air vents.** The motor’s fan will draw the dust inside the housing and excessive accumulation of powdered metal may cause electrical hazards.
- **Do not operate the power tool near flammable materials.** Sparks could ignite these materials.

SPECIFIC SAFETY RULES

- **Do not use accessories that require liquid coolants.** Using water or other liquid coolants may result in electrocution or shock.

KICKBACK AND RELATED WARNINGS

Kickback is a sudden reaction to a pinched or snagged rotating wheel, backing pad, brush or any other accessory. Pinching or snagging causes rapid stalling of the rotating accessory which in turn causes the uncontrolled power tool to be forced in the direction opposite of the accessory's rotation at the point of the binding.

For example, if an abrasive wheel is snagged or pinched by the workpiece, the edge of the wheel that is entering into the pinch point can dig into the surface of the material causing the wheel to climb out or kick out. The wheel may either jump toward or away from the operator, depending on direction of the wheel's movement at the point of pinching. Abrasive wheels may also break under these conditions.

Kickback is the result of power tool misuse and/or incorrect operating procedures or conditions and can be avoided by taking proper precautions as given below.

- **Maintain a firm grip on the power tool and position your body and arm to allow you to resist kickback forces. Always use side handle, if provided, for maximum control over kickback or torque reaction during start-up.** The operator can control torque reactions or kickback forces, if proper precautions are taken.
- **Never place your hand near the rotating accessory.** Accessory may kickback over your hand.
- **Do not position your body in the area where power tool will move if kickback occurs.** Kickback will propel the tool in direction opposite to the wheel's movement at the point of snagging.
- **Use special care when working corners, sharp edges etc. Avoid bouncing and snagging the accessory.** Corners, sharp edges or bouncing have a tendency to snag the rotating accessory and cause loss of control or kickback.
- **Do not attach a saw chain woodcarving blade or toothed saw blade.** Such blades create frequent kickback and loss of control.

SAFETY WARNINGS SPECIFIC FOR GRINDING OPERATIONS

- **Use only wheel types that are recommended for your power tool and the specific guard designed for the selected wheel.** Wheels for which the power tool was not designed cannot be adequately guarded and are unsafe.
- **The guard must be securely attached to the power tool and positioned for maximum safety, so the least amount of wheel is exposed towards the operator.** The guard helps to protect operator from broken wheel fragments and accidental contact with wheel.

- **Wheels must be used only for recommended applications. For example: do not grind with the side of an abrasive cut-off wheel.** Abrasive cut-off wheels are intended for peripheral grinding, side forces applied to these wheels may cause them to shatter.
- **Always use undamaged wheel flanges that are of correct size and shape for your selected wheel.** Proper wheel flanges support the wheel thus reducing the possibility of wheel breakage. Flanges for cut-off wheels may be different from grinding wheel flanges.
- **Do not use worn down wheels from larger power tools.** Wheel intended for larger power tool is not suitable for the higher speed of a smaller tool and may burst.
- **Always use proper guard with grinding wheel.** A guard protects operator from broken wheel fragments.
- **Accessories must be rated for at least the speed recommended on the tool warning label.** Wheels and other accessories running over rated speed can fly apart and cause injury.

SAFETY WARNINGS SPECIFIC FOR SANDING OPERATIONS

- **Do not use excessively oversized sanding disc paper. Follow manufacturers recommendations, when selecting sanding paper.** Larger sanding paper extending beyond the sanding pad presents a laceration hazard and may cause snagging, tearing of the disc or kickback.

SAFETY WARNINGS SPECIFIC FOR WIRE BRUSHING OPERATIONS

- **Be aware that wire bristles are thrown by the brush even during ordinary operation. Do not overstress the wires by applying excessive load to the brush.** The wire bristles can easily penetrate light clothing and/or skin.
- **If the use of a guard is recommended for wire brushing, do not allow any interference of the wire wheel or brush with the guard.** Wire wheel or brush may expand in diameter due to work load and centrifugal forces.

ADDITIONAL SAFETY RULES

- **Know your power tool. Read operator's manual carefully. Learn its applications and limitations, as well as the specific potential hazards related to this power tool.** Following this rule will reduce the risk of electric shock, fire, or serious injury.
- **Always wear safety glasses. Everyday eyeglasses have only impact-resistant lenses; they are NOT safety glasses.** Following this rule will reduce the risk of serious personal injury.
- **Protect your lungs. Wear a face or dust mask if the operation is dusty.** Following this rule will reduce the risk of serious personal injury.
- **Protect your hearing. Wear hearing protection during extended periods of operation.** Following this rule will reduce the risk of serious personal injury.

SPECIFIC SAFETY RULES

- **Inspect power tool cords periodically and, if damaged, have repaired at your nearest Authorized Service Center. Constantly stay aware of cord location.** Following this rule will reduce the risk of electric shock or fire.
- **Check damaged parts. Before further use of the power tool, a guard or other part that is damaged should be carefully checked to determine that it will operate properly and perform its intended function. Check for alignment of moving parts, binding of moving parts, breakage of parts, mounting, and any other conditions that may affect its operation. A guard or other part that is damaged should be properly repaired or replaced by an authorized service center.** Following this rule will reduce the risk of shock, fire, or serious injury.
- **Make sure your extension cord is in good condition. When using an extension cord, be sure to use one heavy enough to carry the current your product will draw. A wire gauge size (A.W.G.) of at least 14 is recommended for an extension cord 50 feet or less in length. A cord exceeding 100 feet is not recommended. If in doubt, use the next heavier gauge. The smaller the gauge number, the heavier the cord.** An undersized cord will cause a drop in line voltage resulting in loss of power and overheating.
- **Inspect for and remove all nails from lumber before using this power tool.** Following this rule will reduce the risk of serious personal injury.
- **If the power supply cord is damaged,** it must be replaced only by the manufacturer or by an authorized service center to avoid risk.
- **Save these instructions.** Refer to them frequently and use them to instruct others who may use this power tool. If you loan someone this power tool, loan them these instructions also.

CALIFORNIA PROPOSITION 65

WARNING:

This product and some dust created by power sanding, sawing, grinding, drilling, and other construction activities may contain chemicals, including lead, known to the State of California to cause cancer, birth defects, or other reproductive harm. ***Wash hands after handling.***




Some example of these chemicals are:

- lead from lead-based paints,
- crystalline silica from bricks and cement and other masonry products, and
- arsenic and chromium from chemically-treated lumber.







Your risk from these exposures varies, depending on how often you do this type of work. To reduce your exposure to these chemicals: work in a well ventilated area, and work with approved safety equipment, such as those dust masks that are specially designed to filter out microscopic particles.

SYMBOLS

The following signal words and meanings are intended to explain the levels of risk associated with this product.

SYMBOL	SIGNAL	MEANING
	DANGER:	Indicates an imminently hazardous situation, which, if not avoided, will result in death or serious injury.
	WARNING:	Indicates a potentially hazardous situation, which, if not avoided, could result in death or serious injury.
	CAUTION:	Indicates a potentially hazardous situation, which, if not avoided, may result in minor or moderate injury.
	NOTICE:	(Without Safety Alert Symbol) Indicates important information not related to an injury hazard, such as a situation that may result in property damage.

Some of the following symbols may be used on this product. Please study them and learn their meaning. Proper interpretation of these symbols will allow you to operate the product better and safer.

SYMBOL	NAME	DESIGNATION/EXPLANATION
	Safety Alert	Indicates a potential personal injury hazard.
	Read Operator's Manual	To reduce the risk of injury, user must read and understand operator's manual before using this product.
	Eye Protection	Always wear eye protection with side shields marked to comply with ANSI Z87.1.
	Eye and Hearing Protection	Always wear eye protection with side shields marked to comply with ANSI Z87.1 along with hearing protection.
	Wet Conditions Alert	Do not expose to rain or use in damp locations.
V	Volts	Voltage
A	Amperes	Current
Hz	Hertz	Frequency (cycles per second)
W	Watt	Power
min	Minutes	Time
~	Alternating Current	Type of current
n_0	No Load Speed	Rotational speed, at no load
	Class II Tool	Double-insulated construction
.../min	Per Minute	Revolutions, strokes, surface speed, orbits etc., per minute

ELECTRICAL

DOUBLE INSULATION

Double insulation is a concept in safety in electric power tools, which eliminates the need for the usual three-wire grounded power cord. All exposed metal parts are isolated from the internal metal motor components with protecting insulation. Double insulated products do not need to be grounded.

WARNING:

The double insulated system is intended to protect the user from shock resulting from a break in the product's internal wiring. Observe all normal safety precautions to avoid electrical shock.

NOTE: Servicing of a product with double insulation requires extreme care and knowledge of the system and should be performed only by a qualified service technician. For service, we suggest you return the product to your nearest authorized service center for repair. Always use original factory replacement parts when servicing.

ELECTRICAL CONNECTION

This product has a precision-built electric motor. It should be connected to a **power supply that is 120 volts, AC only (normal household current), 60 Hz.** Do not operate this product on direct current (DC). A substantial voltage drop will cause a loss of power and the motor will overheat. If the product does not operate when plugged into an outlet, double-check the power supply.

EXTENSION CORDS

When using a power tool at a considerable distance from a power source, be sure to use an extension cord that has the capacity to handle the current the product will draw. An undersized cord will cause a drop in line voltage, resulting in overheating and loss of power. Use the chart to determine the minimum wire size required in an extension cord. Only round jacketed cords listed by Underwriter's Laboratories (UL) should be used.

When working outdoors with a product, use an extension cord that is designed for outside use. This type of cord is designated with "WA" or "W" on the cord's jacket.

Before using any extension cord, inspect it for loose or exposed wires and cut or worn insulation.

**Ampere rating (on product data plate)

	0-2.0	2.1-3.4	3.5-5.0	5.1-7.0	7.1-12.0	12.1-16.0
Cord Length	Wire Size (A.W.G.)					
25'	16	16	16	16	14	14
50'	16	16	16	14	14	12
100'	16	16	14	12	10	—

**Used on 12 gauge - 20 amp circuit.

NOTE: AWG = American Wire Gauge

WARNING:

Keep the extension cord clear of the working area. Position the cord so that it will not get caught on lumber, tools, or other obstructions while you are working with a power tool. Failure to do so can result in serious personal injury.

WARNING:

Check extension cords before each use. If damaged replace immediately. Never use tool with a damaged cord since touching the damaged area could cause electrical shock resulting in serious injury.

FEATURES

PRODUCT SPECIFICATIONS

Grinding Wheel Capacity.....4-1/2 in.
Spindle Thread 5/8 in. x 11 UNC

No Load Speed 11,000 r/min. (RPM)
Input120 V, AC only, 60 Hz, 8 Amps

ASSEMBLY

UNPACKING

This product requires assembly.

- Carefully remove the tool and any accessories from the box. All items listed in the **Includes** section must be included at the time of purchase.

WARNING:

Items in this *Assembly* section are not assembled to the product by the manufacturer and require customer installation. Use of a product that may have been improperly assembled could result in serious personal injury.

-
- Inspect the product carefully to make sure no breakage or damage occurred during shipping.
 - Do not discard the packing material until you have carefully inspected and satisfactorily operated the product.
 - If any parts are damaged or missing, please call 1-866-539-1710 for assistance.

WARNING:

If any parts are damaged or missing do not operate this product until the parts are replaced. Use of this product with damaged or missing parts could result in serious personal injury.

WARNING:

Do not attempt to modify this product or create accessories not recommended for use with this product. Any such alteration or modification is misuse and could result in a hazardous condition leading to possible serious personal injury.

WARNING:

Do not connect to power supply until assembly is complete. Failure to comply could result in accidental starting and possible serious personal injury.

INSTALLING/REPLACING GRINDING WHEEL

See Figure 1, page 12.

DANGER:

Never attach a wood cutting or carving blade of any type to this angle grinder. It is only designed for grinding and sanding. Use for any other purpose is not recommended and creates a hazard, which will result in serious injury.

DANGER:

Use ONLY Type 27 depressed center grinding wheels. NEVER attach a Type 1 straight or cut-off wheel to this angle grinder. Use of any other wheel is not recommended and creates a hazard, which will result in serious injury.

TYPE 27 – OK TO USE



TYPE 1 – DO NOT USE



WARNING:

Thoroughly inspect a new grinding wheel before you install it on the grinder.

- Tap lightly around the grinding wheel using a wooden hammer.
- Listen carefully to the resulting sounds. Places with fissures or cracks will result in a different sound.

Do not use a grinding wheel containing fissures or cracks.

When you install a new grinding wheel, carry out a no load revolution test of approximately one minute with the grinding wheel facing a safe direction, i.e., away from people or objects.

ASSEMBLY

- Unplug the grinder.
- Depress the spindle lock button and rotate the flange nut until the spindle locks.
NOTE: To prevent damage to the spindle or spindle lock, always allow motor to come to a complete stop before engaging spindle lock.
- If replacing the grinding wheel, loosen and remove the flange nut from the spindle. Do not remove the disc flange.
- Make sure the flats on the bottom of the disc flange are engaged with the flats on the spindle.
- Place the grinding wheel over the spindle.

WARNING:

Always install a grinding wheel with the depressed center against the disc flange. Failure to do so will cause the grinding wheel to crack when tightening the flange nut. This could result in serious personal injury because of loose particles breaking off and being thrown from the grinder. Do not overtighten.

-
- Thread the flange nut on the spindle with the flat side of the nut facing up.
 - Fit the raised, small diameter portion of the flange nut into the hole in the wheel and finger tighten.
 - Depress the spindle lock button and rotate the grinding wheel clockwise until the spindle locks in position.
 - Tighten the flange nut securely with the wrench provided. Do not overtighten.

DANGER:

Never attach a TYPE 1 straight or cut-off wheel to this angle grinder. It is only designed for grinding. Use for any other purpose is not recommended and creates a hazard, which will result in serious injury.

ATTACHING THE SIDE HANDLE

See Figure 2, page 13.

- Unplug the grinder.
- Screw the side handle into the gear housing.

NOTE: You can install the side handle on either the left or right side of the grinder, depending on operator preference. It must always be used to prevent loss of control and possible serious injury.

- Tighten the side handle securely.

POSITIONING THE WHEEL GUARD

See Figures 3 - 5, page 13.

The wheel guard on the grinder should be correctly positioned depending on which location the side handle is mounted. Never use the grinder without the wheel guard correctly locked into place.

WARNING:

Never place the wheel guard so that it is in front of the grinder. This could result in serious injury because sparks and loose particles thrown from the grinding wheel would be directed toward the operator. Always place the wheel guard in the correct location as shown.

To adjust the wheel guard:

- Unplug the grinder.
- Depress the lever and rotate wheel guard until it locks into one of the six possible positions.

NOTE: Be sure the three tabs on the wheel guard are seated in the three grooves on the bearing cap. Always make sure wheel guard is locked into place in one of the six lock positions. Never use the grinder without the wheel guard in place and properly adjusted.

OPERATION

WARNING:

Do not allow familiarity with this product to make you careless. Remember that a careless fraction of a second is sufficient to inflict severe injury.

WARNING:

Always wear eye protection with side shields marked to comply with ANSI Z87.1 along with hearing protection and where necessary a full face shield. Failure to do so could result in objects being thrown into your eyes and other possible serious injuries.

WARNING:

Do not use any attachments or accessories not recommended by the manufacturer of this product. The use of attachments or accessories not recommended can result in serious personal injury.

APPLICATIONS

You may use this product for the purposes listed below:

- Grinding metals
- Sanding wood or metal surfaces with an abrasive mop disc. (sold separately)

TURNING THE GRINDER ON/OFF

See Figure 6, page 14.

To turn the grinder ON:

- Push the On/Off switch forward. To lock the grinder in the ON position, depress front of switch.

To turn the grinder OFF:

- Press On/Off switch and slide back to turn grinder off.
-

WARNING:

To prevent loss of control and possible serious injury, always operate the grinder with the side handle installed.

OPERATING THE GRINDER

See Figure 7, page 14.

Always carefully select and use grinding wheels that are recommended for the material to be ground. Make sure that the operating speed of any accessory wheel selected is rated at 11,000 r/min. or more. Type 27 grinding wheels are suitable for grinding welds, preparing surfaces to be welded, grinding structural steel, and grinding stainless steel.

To operate the grinder:

- Secure all work in a vise or clamp to a workbench.
-

DANGER:

Never use the grinder with the wheel guard removed and always be sure the wheel guard is locked into place. It has been designed for use only with the wheel guard installed. Attempting to use grinder with wheel guard removed will result in loose particles being thrown against the operator resulting in serious personal injury.

- Hold the grinder in front and away from you with both hands, keeping the grinding wheel clear of the workpiece.
 - Turn on the grinder and let the motor and grinding wheel build up to full speed.
 - Lower the grinder gradually until the grinding wheel contacts the workpiece.
 - Keep the grinder tilted at an angle from 5 to 15 degrees.
-

WARNING:

To prevent loss of control and possible serious personal injury, always operate the grinder with both hands, keeping one hand on the side handle.

- Move the grinder continuously at a steady, consistent pace.
-

NOTICE:

If the grinder is held in one spot too long, it will gouge and cut grooves in the workpiece. If the grinder is held at too sharp an angle, it will also gouge the workpiece because of concentration of pressure on a small area.

- Use just enough pressure to keep the grinder from chattering or bouncing.

NOTE: Heavy pressure will decrease the grinder's speed and put a strain on the motor. Normally the weight of the tool alone is adequate for most grinding jobs. Use light pressure when grinding jagged edges or loose bolts where there is the potential for the grinder to snag on the metal edge.

- Lift the grinder away from the workpiece before turning off the grinder.

MAINTENANCE

WARNING:

When servicing use only identical RIDGID® replacement parts. Use of any other parts can create a hazard or cause product damage.

WARNING:

Always wear eye protection with side shields marked to comply with ANSI Z87.1 along with hearing protection and where necessary a full face shield. Failure to do so could result in serious personal injury. If operation is dusty, also wear a dust mask.

GENERAL MAINTENANCE

Avoid using solvents when cleaning plastic parts. Most plastics are susceptible to damage from various types of commercial solvents and may be damaged by their use. Use clean cloths to remove dirt, dust, oil, grease, etc.

WARNING:

Do not at any time let brake fluids, gasoline, petroleum-based products, penetrating oils, etc., come in contact with plastic parts. Chemicals can damage, weaken or destroy plastic which can result in serious personal injury.

Electric tools used on fiberglass material, wallboard, spackling compounds, or plaster are subject to accelerated wear and possible premature failure because the fiberglass chips and grindings are highly abrasive to bearings, brushes, commutators, etc. Consequently, we do not recommend using this product for extended work on these types of materials. However, if you do work with any of these materials, it is extremely important to clean the product using compressed air.

LUBRICATION

All of the bearings in this product are lubricated with a sufficient amount of high grade lubricant for the life of the unit under normal operating conditions. Therefore, no further lubrication is required.

POWER SUPPLY CORD REPLACEMENT

If replacement of the power supply cord is necessary, this must be done by an authorized service center in order to avoid a safety hazard.

GUARD REPLACEMENT

See Figure 8, page 14.

After extended use, the guard may become worn and need adjustment or replacing. Or, if you drop the angle grinder and damage the guard, it may be necessary to replace it.

To replace the guard:

- Unplug the angle grinder.
- Depress spindle lock button and rotate flange nut with provided wrench until spindle locks.
- Using the wrench provided, loosen and remove flange nut, grinding or abrasive mop disk, and disc flange from spindle if necessary. Refer to **Installing/Replacing Grinding Wheel**, earlier in the manual.
- Depress lever and rotate guard to disassemble/assembly position as shown and remove wheel guard.
- Place the new guard on the shoulder of the bearing cap, and press firmly until guard is seated firmly over bearing cap.
NOTE: Be sure the tabs on the guard are seated in the groove in the bearing cap.
- Rotate guard to the correct position for operation.
- Reinstall grinding wheel.

NOTE: FIGURES (ILLUSTRATIONS) START ON PAGE 12 AFTER FRENCH AND SPANISH LANGUAGE SECTIONS

This product has a 90-Day Satisfaction Guarantee Policy, as well as a Three-year Limited Warranty. For Warranty and Policy details, please go to www.RIDGID.com or call (toll free) 1-866-539-1710.

RÈGLES DE SÉCURITÉ GÉNÉRALES

AVERTISSEMENT !

Lire toutes les instructions. Le non-respect de toutes les instructions ci-dessous peut entraîner un choc électrique, un incendie et/ou des blessures graves. Le terme « outil électrique », utilisé dans tous les avertissements ci-dessous, désigne tout outil fonctionnant sur secteur (câblé) ou sur batteries (sans fil).

CONSERVER CES INSTRUCTIONS SÉCURITÉ DU LIEU DE TRAVAIL

- **Garder le lieu de travail propre et bien éclairé.** Les endroits encombrés ou sombres sont propices aux accidents.
- **Ne pas utiliser d'outils électriques dans des atmosphères explosives, par exemple en présence de liquides, gaz ou poussières inflammables.** Les outils électriques produisent des étincelles risquant d'enflammer les poussières ou vapeurs.
- **Garder les enfants et badauds à l'écart pendant l'utilisation d'un outil électrique.** Les distractions peuvent causer une perte de contrôle.

SÉCURITÉ ÉLECTRIQUE

- **Les fiches des outils électriques doivent correspondre à la prise secteur utilisée. Ne jamais modifier la fiche, de quelque façon que ce soit. Ne jamais utiliser d'adaptateurs de fiche avec des outils mis à la terre.** Les fiches et prises non modifiées réduisent le risque de choc électrique.
- **Éviter tout contact du corps avec des surfaces mises à la terre, telles que tuyaux, radiateurs, cuisinières et réfrigérateurs.** Le risque de choc électrique est accru lorsque le corps est mis à la terre.
- **Ne pas exposer les outils électriques à l'eau ou l'humidité.** La pénétration d'eau dans ces outils accroît le risque de choc électrique.
- **Ne pas maltraiter le cordon d'alimentation. Ne jamais utiliser le cordon d'alimentation pour transporter l'outil et ne jamais débrancher ce dernier en tirant sur le cordon. Garder le cordon à l'écart de la chaleur, de l'huile, des objets tranchants et des pièces en mouvement.** Un cordon endommagé ou emmêlé accroît le risque de choc électrique.
- **Pour les travaux à l'extérieur, utiliser un cordon spécialement conçu à cet effet.** Utiliser un cordon conçu pour l'usage extérieur pour réduire les risques de choc électrique.

SÉCURITÉ PERSONNELLE

- **Rester attentif, prêter attention au travail et faire preuve de bon sens lors de l'utilisation de tout outil électrique. Ne pas utiliser cet outil en état de fatigue ou sous l'influence de l'alcool, de drogues ou de médicaments.** Un moment d'inattention pendant l'utilisation d'un outil électrique peut entraîner des blessures graves.

- **Utiliser l'équipement de sécurité. Toujours porter une protection oculaire.** L'équipement de sécurité, tel qu'un masque filtrant, des chaussures de sécurité, un casque ou une protection auditive, utilisé dans des conditions appropriées réduira le risque de blessures.
- **Éviter les démarrages accidentels. S'assurer que le commutateur est en position d'arrêt avant de brancher l'outil.** Porter un outil avec le doigt sur son commutateur ou brancher un outil dont le commutateur est en position de marche peut causer un accident.
- **Retirer les clés de réglage avant de mettre l'outil en marche.** Une clé laissée sur une pièce rotative de l'outil peut causer des blessures.
- **Ne pas travailler hors de portée. Toujours se tenir bien campé et en équilibre.** Ceci permettra de mieux contrôler l'outil en cas de situation imprévue.
- **Porter une tenue appropriée. Ne porter ni vêtements amples, ni bijoux. Garder les cheveux, les vêtements et les gants à l'écart des pièces en mouvement.** Les vêtements amples, bijoux et cheveux longs peuvent se prendre dans les pièces en mouvement.
- **Si les outils sont équipés de dispositifs de dépoussiérage, s'assurer qu'ils sont connectés et correctement utilisés.** L'usage de ces dispositifs peut réduire les dangers présentés par la poussière.
- **Ne porter ni vêtements amples, ni bijoux. Attacher ou couvrir les cheveux longs.** Les vêtements amples, bijoux et cheveux longs peuvent se prendre dans les ouïes d'aération.
- **Ne pas utiliser l'outil sur une échelle ou un support instable.** Une bonne tenue et un bon équilibre permettent de mieux contrôler l'outil en cas de situation imprévue.

UTILISATION ET ENTRETIEN DES OUTILS MOTORISÉS

- **Ne pas forcer l'outil. Utiliser l'outil approprié pour le travail.** Un outil approprié exécutera le travail mieux et de façon moins dangereuse s'il est utilisé dans les limites prévues.
- **Ne pas utiliser l'outil si le commutateur ne permet pas de le mettre en marche ou de l'arrêter.** Tout outil qui ne peut pas être contrôlé par son commutateur est dangereux et doit être réparé.
- **Débrancher l'outil et/ou retirer le bloc de batteries avant d'effectuer des réglages, de changer d'accessoire ou de remiser l'outil.** Ces mesures de sécurité préventives réduisent les risques de démarrage accidentel de l'outil.
- **Ranger les outils motorisés hors de la portée des enfants et ne laisser personne n'étant pas familiarisé avec l'outil ou ces instructions utiliser l'outil.** Dans les mains de personnes n'ayant pas reçu des instructions adéquates, les outils sont dangereux.
- **Entretien des outils motorisés. Vérifier qu'aucune pièce mobile n'est mal alignée ou bloquée, qu'aucune pièce n'est brisée et s'assurer qu'aucun autre problème risque d'affecter le bon fonctionnement de l'outil. En cas de dommages faire réparer l'outil avant de l'utiliser de nouveau.** Beaucoup d'accidents sont causés par des outils mal entretenus.

RÈGLES DE SÉCURITÉ GÉNÉRALES

- **Garder les outils bien affûtés et propres.** Des outils correctement entretenus et dont les tranchants sont bien affûtés risquent moins de se bloquer et sont plus faciles à contrôler.
- **Utiliser l'outil, les accessoires et embouts, etc., conformément à ces instructions pour les applications pour lesquelles ils sont conçus, en tenant compte des conditions et du type de travail à exécuter.** L'usage d'un outil motorisé pour des applications pour lesquelles il n'est pas conçu peut être dangereux.

DÉPANNAGE

- **Les réparations doivent être confiées à un technicien qualifié, utilisant exclusivement des pièces identiques à celles d'origine.** Ceci assurera le maintien de la sécurité de l'outil.

RÈGLES DE SÉCURITÉ PARTICULIÈRES

RÈGLES DE SÉCURITÉ GÉNÉRALES POUR LE MEULAGE, PONÇAGE ET OPÉRATIONS DE BROSSAGE

- **Cet outil électrique est conçu pour fonctionner comme une meuleuse, ponceuse et brosse métallique.** Lire tous les avertissements et toutes les instructions, les illustrations et les caractéristiques fournis avec cet outil électrique. Ne pas suivre l'ensemble des instructions décrites ci-dessous peut entraîner une électrocution, un incendie ou des blessures graves.
- **Il n'est pas recommandé d'utiliser cet outil électrique pour couper et polir des pièces.** Le fait d'utiliser l'outil pour effectuer des tâches pour lesquelles il n'est pas conçu peut représenter un risque et provoquer des blessures.
- **Ne pas utiliser des accessoires qui ne sont pas spécialement conçus pour le modèle d'outil ou qui ne sont pas recommandés par le fabricant.** Le simple fait qu'un accessoire peut s'ajuster sur l'outil électrique ne signifie pas qu'il peut être utilisé en toute sécurité.
- **La vitesse nominale de l'accessoire doit au moins être égale à la vitesse maximale indiquée sur l'outil électrique.** Les accessoires qui sont utilisés à une vitesse supérieure à leur VITESSE NOMINALE peuvent se briser et se détacher.
- **Le diamètre extérieur et l'épaisseur de l'accessoire doivent être conformes à la capacité de l'outil électrique.** Il est impossible de protéger ou de contrôler adéquatement un accessoire de dimension inappropriée.
- **La taille de l'arbre des meules, des brides, des plateaux porte-disque ou de tout autre accessoire doit convenir parfaitement à la broche de l'outil électrique.** Si les accessoires utilisés sont dotés d'alésages centraux qui ne conviennent pas à la pièce de montage de l'outil, ils se déstabiliseront, vibreront de façon excessive et pourront causer une perte de contrôle.

AVERTISSEMENT !

Pour réduire les risques de blessures, l'utilisateur doit lire et veiller à bien comprendre le manuel d'utilisation.

- **Utiliser exclusivement des pièces identiques à celles d'origine pour les réparations. Se conformer aux instructions de la section Entretien de ce manuel.** L'usage de pièces non autorisées ou le non-respect des instructions peut présenter des risques de choc électrique ou de blessures.

- **Ne pas utiliser un accessoire endommagé.** Inspecter l'accessoire avant chaque utilisation afin de s'assurer que les meules, par exemple, sont exemptes d'ébréchures et de fissures, que le plateau porte-disque est exempt de fissures et qu'il n'est pas usé de façon excessive. Si l'outil électrique ou l'accessoire est échappé, s'assurer qu'il n'est pas endommagé ou installer un autre accessoire. Après avoir effectué cette opération, se tenir à distance de l'accessoire en rotation et faire fonctionner l'outil à sa vitesse à vide maximale pendant une minute. S'assurer que personne ne se tient à proximité de l'outil. Les accessoires endommagés se brisent généralement lors de cette vérification.
- **Porter de l'équipement de protection de qualité professionnelle.** Selon le type d'opération, porter un masque de protection ou des lunettes de sécurité. Au besoin, porter également un masque anti-poussières, un protecteur d'oreille, des gants et un tablier d'atelier résistant aux petits fragments abrasifs ou aux fragments provenant des pièces à travailler. La protection oculaire utilisée doit résister aux débris projetés lors des différentes opérations. Le masque anti-poussières et le masque filtrant doivent filtrer les particules produites lors de l'opération. Une exposition prolongée à un bruit fort peut entraîner une perte auditive.
- **S'assurer que personne ne se tient à proximité du lieu de travail. Toute personne qui entre sur le lieu de travail doit porter l'équipement de protection requis.** Des fragments provenant de la pièce à travailler ou d'un accessoire brisé peuvent être projetés et causer des blessures, même à des personnes se tenant à une certaine distance du lieu de travail immédiat.

RÈGLES DE SÉCURITÉ PARTICULIÈRES

- **Tenir l'outil par ses surfaces de préhension isolées lors des opérations pendant lesquelles l'accessoire de coupe peut entrer en contact avec du câblage caché ou avec son propre cordon d'alimentation.** Le contact avec un fil sous tension « électrifie » les pièces métalliques exposées de l'outil et peut électrocuter l'utilisateur.
- **Tenir le cordon loin de l'accessoire en rotation.** En cas de perte de contrôle, le cordon peut être coupé ou accroché, et la main ou le bras de l'utilisateur risquent d'entrer en contact avec l'accessoire en rotation.
- **Ne jamais déposer l'outil électrique avant l'arrêt complet de l'accessoire.** L'accessoire en rotation peut accrocher la surface et occasionner une perte de contrôle.
- **Ne jamais laisser l'outil électrique fonctionner en le transportant à ses côtés.** L'accessoire en rotation peut s'accrocher accidentellement aux vêtements et entrer en contact avec l'utilisateur.
- **Nettoyer régulièrement les événements d'aération de l'outil électrique.** Le ventilateur du moteur aspire la poussière dans le logement et crée une accumulation excessive de métal fritté, ce qui peut causer un risque électrique.
- **Ne pas faire fonctionner l'outil électrique à proximité de matériaux inflammables.** Les étincelles peuvent enflammer ces matériaux.
- **Ne pas utiliser d'accessoires qui nécessitent des liquides de refroidissement.** L'utilisation d'eau ou d'un autre liquide de refroidissement peut entraîner une électrocution ou un choc électrique.

REBONDS ET AVERTISSEMENTS CONNEXES

Un rebond est une réaction soudaine attribuable au pincement ou à l'accrochage de la meule, du plateau porte-disque, de la brosse ou de tout autre accessoire en rotation. Un pincement ou un accrochage provoque le blocage immédiat de l'accessoire en rotation qui, à son tour, entraîne l'outil incontrôlé dans le sens opposé à la rotation de l'accessoire, à l'endroit du coincement.

Par exemple, si une meule abrasive est accrochée ou pincée par la pièce à travailler, le rebord de la meule qui entre dans le point de pincement peut s'enfoncer dans la surface du matériau, éjectant la meule de la pièce à travailler ou la faisant rebondir, vers l'utilisateur ou loin de lui, selon le sens du mouvement de la meule au point de pincement. Dans ces conditions d'utilisation, les meules abrasives peuvent également se briser.

Un rebond est attribuable à une mauvaise utilisation de l'outil ou au non-respect des procédures ou des conditions d'utilisation. Pour empêcher les rebonds, respecter les directives décrites ci-dessous.

- **Tenir fermement l'outil électrique et placer le corps et les mains de manière à pouvoir résister aux rebonds. Toujours utiliser la poignée latérale, s'il y en a une, pour assurer un contrôle optimal en cas de rebond ou de réaction de couple lors du démarrage de l'outil.** L'utilisateur peut contrôler les rebonds et les réactions de couple s'il respecte les directives prescrites.
- **Ne jamais placer les mains à proximité de l'accessoire en rotation.** En cas de rebond, l'accessoire peut dévier sur celles-ci.

- **Ne pas positionner le corps à l'endroit où sera entraîné l'outil électrique si un rebond se produit.** Un rebond entraînera l'outil dans le sens opposé au mouvement de la meule, à l'endroit de l'accrochage.
- **Faire preuve d'une extrême prudence au moment d'utiliser l'outil sur des coins ou des rebords tranchants.** Les coins, les rebords tranchants et les surfaces rebondissantes ont tendance à s'accrocher à la pièce en rotation et à causer une perte de contrôle ou des rebonds.
- **Ne pas fixer une lame de sculpteur pour scie à chaîne ou une lame de scie dentée.** Ces deux types de lame occasionnent de nombreux rebonds et des pertes de contrôle fréquentes.

RÈGLES DE SÉCURITÉ PARTICULIÈRES POUR LE MEULAGE DES PIÈCES

- **Utiliser seulement les types de meule recommandés pour cet outil électrique et le protège disque spécialement conçu pour la meule utilisée.** Il est impossible de protéger de façon adéquate les meules qui ne sont pas spécialement conçues pour l'outil électrique. De plus, elles ne sont pas sécuritaires.
- **Le protège disque doit être fixé solidement à l'outil électrique et positionné de manière à garantir une sécurité optimale; il importe donc de diriger le moins possible la meule vers l'utilisateur.** Le protège disque aide à protéger l'utilisateur des fragments qui peuvent se détacher de la meule et du contact accidentel avec la meule.
- **Utiliser seulement les meules pour effectuer des opérations pour lesquelles elles sont conçues. Par exemple, ne pas meuler avec le côté d'une meule à tronçonner.** Les meules à tronçonner abrasives doivent être utilisées pour la rectification périphérique. Le fait d'appliquer une force latérale sur les meules peut provoquer leur bris.
- **Toujours utiliser des brides de meules non endommagées de formes et de dimensions convenables.** Les brides de meules adéquates soutiennent la meule, ce qui minimise les risques de bris de la meule. Les brides des meules à tronçonner peuvent différer des brides de meules standards.
- **Ne pas utiliser de meules usées qui proviennent d'outils électriques de plus grandes dimensions.** Les meules conçues pour des outils électriques de plus grandes dimensions ne conviennent pas à la vitesse plus élevée des outils de plus petite dimension et peuvent éclater.
- **Toujours utiliser la protection correcte avec la meule.** Une protection protège l'opérateur des fragments de roue cassés.
- **La puissance nominale des accessoires doit être au moins égale à la vitesse recommandée sur l'étiquette d'avertissement de l'outil.** Les roues et les autres accessoires fonctionnant à une vitesse supérieure à la vitesse nominale peuvent se détacher et voler, causant des blessures.

RÈGLES DE SÉCURITÉ PARTICULIÈRES

RÈGLES DE SÉCURITÉ PARTICULIÈRES POUR LE PONÇAGE

- **Ne pas utiliser un papier pour disque abrasif surdimensionné. Suivre les recommandations du fabricant au moment de choisir le papier abrasif.** Un papier abrasif qui excède la surface du disque de ponçage présente un risque de lacération et peut s'accrocher, se déchirer, ou entraîner un rebond.

RÈGLES DE SÉCURITÉ PARTICULIÈRES POUR LE BROSSAGE MÉTALLIQUE

- **Porter une attention particulière aux fils de la brosse qui peuvent être projetés même pendant une opération régulière.** Éviter de surcharger les fils en appuyant sur la brosse de manière excessive. Les fils de la brosse métallique peuvent pénétrer facilement dans les vêtements légers ou la peau.
- **S'il est recommandé d'installer un protège-meule lors du brossage métallique, s'assurer que la roue à rayons métalliques et la brosse métallique ne touchent pas au protège-meule.** Le diamètre de la roue à rayons métalliques ou la brosse métallique peut augmenter à cause de la charge et de la force centrifuge.

RÈGLES SUPPLÉMENTAIRES DE SÉCURITÉ

- **Apprendre à connaître l'outil. Lire attentivement le manuel d'utilisation. Apprendre les applications et les limites de l'outil, ainsi que les risques spécifiques relatifs à son utilisation.** Le respect de cette consigne réduira les risques d'incendie, de choc électrique et de blessures graves.
- **Toujours porter des lunettes de sécurité. Les lunettes ordinaires sont dotées de verres résistants aux impacts seulement ; ce ne sont PAS des lunettes de sécurité.** Le respect de cette consigne réduira les risques de blessures graves.
- **Protection respiratoire. Porter un masque facial ou filtrant si le travail produit de la poussière.** Le respect de cette consigne réduira les risques de blessures graves.

PROPOSITION 65 DE L'ÉTAT DE CALIFORNIE

AVERTISSEMENT :

Ce produit et la poussière dégagée lors du ponçage, sciage, meulage, perçage de certains matériaux et lors d'autres opérations de construction peuvent contenir des produits chimiques, notamment du plomb qui, selon l'État de la Californie, peuvent causer le cancer, des anomalies congénitales et d'autres dommages au système reproducteur. **Bien se laver les mains après toute manipulation.**

Voici certains exemples de ces produits chimiques :




- le plomb contenu dans la peinture au plomb,
- la silice cristalline contenue dans les briques, le béton et d'autres produits de maçonnerie, ainsi que
- l'arsenic et le chrome contenus dans le bois de construction traité par produits chimiques.

Le risque présenté par l'exposition à ces produits varie en fonction de la fréquence de ce type de travail. Pour réduire l'exposition, travailler dans un endroit bien aéré et utiliser des équipements de sécurité approuvés tels que masques antipoussières spécialement conçus pour filtrer les particules microscopiques.







- **Protection auditive. Porter une protection auditive durant les périodes d'utilisation prolongée.** Le respect de cette consigne réduira les risques de blessures graves.
- **Inspecter régulièrement les cordons d'alimentation des outils et s'ils sont endommagés, les confier au centre de réparations agréé le plus proche. Toujours être conscient de l'emplacement du cordon** Le respect de cette consigne réduira les risques de choc électrique et d'incendie.
- **Vérifier l'état des pièces. Avant d'utiliser l'outil, examiner de nouveau soigneusement les pièces et les dispositifs de protection qui semblent endommagés afin de déterminer s'ils fonctionnent correctement et s'ils remplissent les fonctions prévues. Vérifier l'alignement des pièces mobiles, s'assurer qu'aucune pièce n'est bloquée ni cassée, vérifier la fixation de chaque pièce et s'assurer qu'aucun autre problème ne risque d'affecter le bon fonctionnement de l'outil. Toute protection ou pièce endommagée doit être correctement réparée ou remplacée dans un centre de réparations agréé.** Le respect de cette consigne réduira les risques de choc électrique, d'incendie et de blessures graves.
- **S'assurer que le cordon prolongateur est en bon état. Si un cordon prolongateur est utilisé, s'assurer que sa capacité est suffisante pour supporter le courant de fonctionnement de l'outil. Un calibre de fil (A.W.G) d'au minimum 14 est recommandé pour un cordon prolongateur de 15 mètres (50 pi) maximum. L'usage d'un cordon de plus de 30 m (100 pi) est déconseillé. En cas de doute, utiliser un cordon du calibre immédiatement supérieur. Moins le numéro de calibre est élevé, plus la capacité du fil est grande.** Un cordon de capacité insuffisante causerait une baisse de la tension de ligne, entraînant une perte de puissance et une surchauffe.
- **Inspecter la pièce et retirer les clous éventuels avant d'utiliser cet outil.** Le respect de cette consigne réduira les risques de blessures graves.
- **Si le cordon d'alimentation est endommagé, il doit être remplacé uniquement pas le fabricant ou par un centre de réparation agréé pour éviter tout risque.**
- **Conserver ces instructions.** Les consulter fréquemment et les utiliser pour instruire les autres utilisateurs éventuels. Si cet outil est prêté, il doit être accompagné de ces instructions.

SYMBOLES

Les termes de mise en garde suivants et leur signification ont pour but d'expliquer le degré de risques associé à l'utilisation de ce produit.

SYMBOLE	SIGNAL	SIGNIFICATION
	DANGER :	Indique une situation extrêmement dangereuse qui, si elle n'est pas évitée, aura pour conséquences des blessures graves ou mortelles.
	AVERTISSEMENT :	Indique une situation potentiellement dangereuse qui, si elle n'est pas évitée, pourrait entraîner des blessures graves ou mortelles.
	ATTENTION :	Indique une situation potentiellement dangereuse qui, si elle n'est pas évitée, pourrait entraîner des blessures légères ou de gravité modérée.
	AVIS :	(Sans symbole d'alerte de sécurité) Indique une information importante ne concernant pas un risque de blessure comme une situation pouvant occasionner des dommages matériels.

Certains des symboles ci-dessous peuvent être utilisés sur produit. Veiller à les étudier et à apprendre leur signification. Une interprétation correcte de ces symboles permettra d'utiliser produit plus efficacement et de réduire les risques.

SYMBOLE	NOM	DÉSIGNATION / EXPLICATION
	Symbole d'alerte de sécurité	Indique un risque de blessure potentiel.
	Lire le manuel d'utilisation	Pour réduire les risques de blessures, l'utilisateur doit lire et veiller à bien comprendre le manuel d'utilisation avant d'utiliser ce produit.
	Protection oculaire	Toujours porter une protection oculaire avec écrans latéraux certifiée conforme à la norme ANSI Z87.1.
	Protection oculaire et auditive	Toujours porter une protection oculaire certifiée conforme à la norme ANSI Z87.1 ainsi qu'un protection auditive.
	Avertissement concernant l'humidité	Ne pas exposer à la pluie ou l'humidité.
V	Volts	Tension
A	Ampères	Intensité
Hz	Hertz	Fréquence (cycles par seconde)
W	Watts	Puissance
min	Minutes	Temps
~	Courant continu	Type ou caractéristique du courant
n_0	Vitesse à vide	Vitesse de rotation à vide
	Outil de la classe II	Construction à double isolation
.../min	Par minute	Tours, coups, vitesse périphérique, orbites, etc., par minute

CARACTÉRISTIQUES ÉLECTRIQUES

DOUBLE ISOLATION

La double isolation est un dispositif de sécurité utilisé sur les outils à moteur électriques, éliminant le besoin de cordon d'alimentation habituel à trois fils avec terre. Toutes les pièces métalliques exposées sont isolées des composants internes du moteur par l'isolation protectrice. Les outils à double isolation ne nécessitent pas de mise à la terre.

AVERTISSEMENT :

Le système à double isolation est conçu pour protéger l'utilisateur contre les chocs électriques causés par une rupture du câblage interne de l'outil. Prendre toutes les précautions de sécurité normales pour éviter les chocs électriques.

NOTE : La réparation d'un outil à double isolation exige des précautions extrêmes ainsi que la connaissance du système, elle ne doit être confiée qu'à un réparateur qualifié. En ce qui concerne les réparations, nous recommandons de confier l'outil au centre de réparations le plus proche. Utiliser exclusivement des pièces d'origine pour les réparations.

CONNEXIONS ÉLECTRIQUES

Ce produit est équipé d'un moteur électrique de précision. Il doit être branché uniquement sur **une alimentation 120 V, c.a. (courant résidentiel standard), 60 Hz**. Ne pas utiliser cet outil sur une source de courant continu (c.c.). Une chute de tension importante causerait une perte de puissance et une surchauffe du moteur. Si l'outil ne fonctionne pas une fois branché, vérifier l'alimentation électrique.

CORDONS PROLONGATEURS

Lors de l'utilisation d'un outil électrique à grande distance d'une prise secteur, veiller à utiliser un cordon prolongateur d'une capacité suffisante pour supporter l'appel de courant de l'outil. Un cordon de capacité insuffisante causerait une baisse de la tension de ligne, entraînant une perte de puissance et une surchauffe. Se reporter au tableau ci-dessous pour déterminer le calibre minimum de fil requis pour un cordon donné. Utiliser exclusivement des cordons à gaine cylindrique homologués par Underwriter's Laboratories (UL).

Pour le travail à l'extérieur, utiliser un cordon prolongateur spécialement conçu à cet effet. Ce type de cordon porte l'inscription « WA » ou « W » sur sa gaine.

Avant d'utiliser un cordon prolongateur, vérifier que ses fils ne sont ni détachés ni exposés et que son isolation n'est ni coupée, ni usée.

**Intensité nominale (sur la plaquette signalétique de l'outil)

	0-2,0	2,1-3,4	3,5-5,0	5,1-7,0	7,1-12,0	12,1-16,0
Longueur du cordon	Calibre de fil (A.W.G.)					
25'	16	16	16	16	14	14
50'	16	16	16	14	14	12
100'	16	16	14	12	10	—

**Utilisé sur circuit de calibre 12 – 20 A

NOTE : AWG = American Wire Gauge

AVERTISSEMENT :

Maintenir le cordon prolongateur à l'écart de la zone de travail. Lors du travail avec un cordon électrique, placer le cordon de manière à ce qu'il ne risque pas de se prendre dans les pièces de bois, outils et autres obstacles. Ne pas prendre cette précaution peut entraîner des blessures graves.

AVERTISSEMENT :

Vérifier l'état des cordons prolongateurs avant chaque utilisation. Remplacer immédiatement tout cordon endommagé. Ne jamais utiliser un outil dont le cordon d'alimentation est endommagé, car tout contact avec la partie endommagée pourrait causer un choc électrique et des blessures graves.

CARACTÉRISTIQUES

FICHE TECHNIQUE

Taille de meule 115 mm (4,5 po)
Diamètre de broche..... 5/8 po x 11 UNC

Vitesse à vide 11 000 r/min. (RPM)
Entrée 120 volts, c.a. uniquement, 60 Hz, 8 A

ASSEMBLAGE

DÉBALLAGE

Ce produit nécessite l'assemblage.

- Avec précaution, sortir l'outil et les accessoires de la boîte. Tous les articles énumérés sous « **Inclut** » doivent se trouver dans l'emballage au moment de l'achat.

AVERTISSEMENT :

Certaines pièces figurant dans cette section *Assemblage* n'ont pas été installées sur le produit par le fabricant et exigent une installation du client. Le fait d'utiliser un produit qui a été assemblé de façon inadéquate peut entraîner des blessures.

- Examiner soigneusement le produit pour s'assurer que rien n'a été brisé ou endommagé en cours de transport.
- Ne pas jeter les matériaux d'emballage avant d'avoir soigneusement examiné le produit et avoir vérifié qu'il fonctionne correctement.
- Si des pièces sont manquantes ou endommagées, appeler le 1-866-539-1710.

AVERTISSEMENT :

Si des pièces manquent ou sont endommagées, ne pas utiliser ce produit avant qu'elles aient été remplacées. Le fait d'utiliser ce produit même s'il contient des pièces endommagées ou s'il lui manque des pièces peut entraîner des blessures graves.

AVERTISSEMENT :

Ne pas essayer de modifier cet outil ou de créer des accessoires non recommandés pour ce produit. De telles altérations ou modifications sont considérées comme un usage abusif et peuvent créer des conditions dangereuses, risquant d'entraîner des blessures graves.

AVERTISSEMENT :

Ne pas brancher sur le secteur avant d'avoir terminé l'assemblage. Le non-respect de cet avertissement peut causer un démarrage accidentel, entraînant des blessures graves.

INSTALLATION/REEMPLACEMENT DE LA MEULE

Voir la figure 1, page 12.

DANGER :

Ne jamais installer de lame ou de ciseau de quelque type que ce soit sur cette meuleuse. Elle est exclusivement conçue pour le meulage et le ponçage. Tout autre usage est déconseillé et peut créer un danger de blessures graves.

DANGER :

Utiliser SEULEMENT les meules à moyeu déporté de type 27. NE JAMAIS attacher une meule de tronçonnage ni une meule de Type 1 à cette meuleuse. Ce produit est exclusivement conçu pour le meulage. L'utilisation de tout autre type de meule n'est pas recommandée et présente un danger pouvant entraîner des blessures graves.

TYPE 27 – PRÊTES À UTILISER



TYPE 1 – NE PAS UTILISER



AVERTISSEMENT :

Inspecter soigneusement les meules neuves avant de les installer.

- Frapper légèrement le pourtour de la meule avec un maillet en bois.
- Écouter attentivement le son produit. Le son change lorsque la meule est frappée à un endroit fissuré ou fendu.

Ne pas utiliser les meules présentant des fissures ou fêlures.

Après avoir installé une meule neuve la tester en la laissant tourner à vide pendant environ une minute, en veillant à ne pas la diriger vers des personnes ou objets.

ASSEMBLAGE

- Débrancher la meuleuse.
- Appuyer sur le bouton de verrouillage de l'axe et tourner l'écrou à épaulement jusqu'à ce que l'axe se verrouille.
NOTE : Pour éviter des dommages à l'axe et à son verrouillage, toujours laisser le moteur s'arrêter complètement avant d'engager le verrouillage.
- Lors du remplacement de la meule, desserrer et retirer l'écrou à épaulement de l'axe. Ne pas retirer la bride circulaire.
- S'assurer que les méplats au dessous de la bride circulaire s'engagent dans ceux de l'axe.
- Placer la meule sur l'axe.

AVERTISSEMENT :

Toujours installer les meules côté concave contre la bride circulaire. Si cette précaution n'est pas prise, la meule se brisera lors du serrage de l'écrou. Ceci pourrait entraîner des blessures graves par les morceaux de meule projetés. Ne pas trop serrer.

-
- Visser l'écrou à épaulement sur l'axe, son côté plat étant dirigé vers le haut.
 - Engager la partie saillante de petit diamètre de l'écrou à épaulement dans le trou de la meule et serrer à la main.
 - Appuyer sur le bouton de verrouillage de l'axe et tourner la meule dans le sens horaire jusqu'à ce que l'axe se verrouille en position.
 - Serrer fermement l'écrou à épaulement à l'aide de la clé fournie. Ne pas trop serrer.

DANGER :

Ne jamais attacher une meule de tronçonnage ni une meule de TYPE 1 à cette meuleuse angulaire. Elle est exclusivement conçue pour le meulage. Tout autre usage est déconseillé et présente un risque de blessures graves.

INSTALLATION DE LA POIGNÉE LATÉRALE

Voir la figure 2, page 13.

- Débrancher la meuleuse.
- Visser la poignée latérale dans le carter d'engrenage.
NOTE : La poignée peut être montée à droite ou à gauche ou sur le dessus, selon la préférence de l'utilisateur. Elle doit toujours être utilisée pour éviter une perte de contrôle pouvant entraîner des blessures graves.
- Serrer la poignée latérale fermement.

POSITIONNEMENT DU GARDE-MEULE

Voir les figures 3 à 5, page 13.

Le garde-meule de la meuleuse doit être positionné correctement, selon l'endroit où est montée la poignée latérale. Ne jamais utiliser la meuleuse si le garde-meule n'est pas verrouillé correctement en place.

AVERTISSEMENT :

Ne jamais positionner le garde-meule de manière à ce qu'il se trouve sur l'avant de la meuleuse. Les étincelles et la limaille pourraient être projetées en direction de l'opérateur et le blesser sérieusement. Toujours installer le garde-meule en position correcte, comme illustré.

Pour régler le garde-meule :

- Débrancher la meuleuse.
- Appuyer sur le levier et tourner le garde-meule jusqu'à ce qu'il se verrouille à l'une des six positions possibles.
NOTE : S'assurer que les trois onglets du garde-meule sont appuyés dans les trois rainures du couvercle de palier. Toujours s'assurer que le garde-meule est verrouillé en place à l'une des six positions de verrouillage. Ne jamais utiliser la meuleuse sans le garde-meule installé et correctement ajusté.

UTILISATION

AVERTISSEMENT :

Ne pas laisser la familiarité avec le produit faire oublier la prudence. Ne pas oublier qu'une fraction de seconde d'inattention peut entraîner des blessures graves.

AVERTISSEMENT :

Porter une protection oculaire munie d'écrans latéraux certifiée conforme à la norme ANSI Z87.1 ainsi qu'une protection auditive ou, si nécessaire, un masque facial intégral. Ne pas suivre cette directive pourrait entraîner des blessures graves, par exemple si l'appareil projetait des objets dans vos yeux.

AVERTISSEMENT :

Ne pas utiliser d'outils ou accessoires non recommandés par le fabricant pour ce produit. L'utilisation de pièces et accessoires non recommandés peut entraîner des blessures graves.

APPLICATIONS

Ce produit ne doit être utilisé que pour les applications listées ci-dessous :

- Meulage des métaux
- Ponçage des surfaces en bois ou en métal à l'aide d'un disque abrasif pour parquets (vendu séparément)

MISE EN MARCHÉ/ARRÊT DE LA MEULEUSE

Voir la figure 6, page 14.

Pour mettre la meuleuse en MARCHÉ :

- Pousser l'interrupteur de marche/arrêt vers l'avant. Pour verrouiller la meuleuse angulaire en marche (ON), enfoncer le devant de l'interrupteur.

Pour ARRÊTER la meuleuse :

- Appuyez sur l'interrupteur de marche/arrêt et glissez vers l'arrière pour tourner meuleuse arrêt (OFF).
-

AVERTISSEMENT :

Pour éviter les pertes de contrôle ainsi que toute blessure grave, toujours utiliser la meuleuse avec la poignée latérale.

UTILISATION DE LA MEULEUSE

Voir la figure 7, page 14.

Toujours choisir et utiliser les meules recommandées pour les matériaux à travailler. S'assurer la vitesse d'utilisation de la meule choisie est de 11 000 r/min ou plus. Les meules de type 27 sont utilisables pour aléser les soudures, à

la préparation des surfaces à souder, au meulage des structures en acier et au meulage de l'acier inoxydable.

Utilisation de la meuleuse :

- Placer la pièce à meuler dans un étau ou l'assujettir sur un établi.
-

DANGER :

Ne jamais utiliser la meuleuse si le garde-meule a été retiré et toujours s'assurer que ce dernier est verrouillé en place. Elle est conçue pour n'être utilisée qu'avec le garde-meule en place. Si cette précaution n'est pas prise, de la limaille peut être en direction de l'opérateur et causer des blessures graves.

- Tenir la meuleuse devant soi, loin du corps, sans la laisser toucher la pièce à meuler.
 - Mettre la meuleuse en marche et laisser le moteur parvenir à pleine vitesse.
 - Abaisser progressivement l'outil, jusqu'à ce que la meule entre en contact avec la pièce à travailler.
 - Garder la meuleuse penché à un angle de 5 à 15 degrés.
-

AVERTISSEMENT :

Pour éviter la perte du contrôle et des blessures graves, toujours tenir la meuleuse à deux mains, l'une étant placée sur la poignée latérale.

- Déplacer la meuleuse continuellement, à une vitesse uniforme.
-

AVIS :

Si la meuleuse est maintenue trop longtemps à un endroit, elle entamera et creusera la pièce. Si la meuleuse est tenue à un angle trop prononcé elle entamera également la pièce, la pression étant concentrée sur une trop petite surface.

- Utiliser une pression juste suffisante pour empêcher l'outil de brouter ou de sautiller.

NOTE : Une pression excessive réduirait la vitesse de rotation de la meule et imposerait une charge excessive sur le moteur. Normalement le poids de l'outil suffit pour la plupart des travaux de meulage. Utiliser une légère pression pour le meulage des bords irréguliers et des boulons desserrés qui risque de causer un blocage de la meule.

- Soulever la meuleuse de la pièce avant de l'arrêter.

ENTRETIEN

AVERTISSEMENT :

Utiliser exclusivement des pièces RIDGID® d'origine pour les réparations. L'usage de toute autre pièce pourrait créer une situation dangereuse ou endommager l'outil.

AVERTISSEMENT :

Porter une protection oculaire munie d'écrans latéraux certifiée conforme à la norme ANSI Z87.1 ainsi qu'une protection auditive ou, si nécessaire, un masque facial intégral. Ne pas prendre cette précaution peut entraîner des blessures graves. Si une opération dégage de la poussière, porter également un masque anti-poussière.

ENTRETIEN GÉNÉRAL

Éviter d'utiliser des solvants pour le nettoyage des pièces en plastique. La plupart des matières plastiques peuvent être endommagées par divers types de solvants du commerce. Utiliser un chiffon propre pour éliminer la saleté, la poussière, l'huile, la graisse, etc.

AVERTISSEMENT :

Ne jamais laisser de liquides tels que le fluide de freins, l'essence, les produits à base de pétrole, les huiles pénétrantes, etc., entrer en contact avec les pièces en plastique. Les produits chimiques peuvent endommager, affaiblir ou détruire le plastique, ce qui peut entraîner des blessures graves.

Les outils électriques utilisés sur la fibre de verre, le placoplâtre, les mastics de bouchage ou le plâtre s'usent plus vite et sont susceptibles de défaillance prématurée, car les particules et les éclats de fibre de verre sont fortement abrasifs pour les roulements, balais, commutateurs, etc. Par conséquent, il est donc déconseillé d'utiliser cet outil de façon prolongée sur ces types de matériaux. Toutefois, si l'outil a été utilisé sur l'un de ces matériaux, il est extrêmement important de le nettoyer à l'air comprimé.

LUBRIFICATION

Tous les engrenages de cet outil sont enduits d'une quantité suffisante de lubrifiant de haute qualité pour la durée de vie de l'outil, dans des conditions d'utilisation normales. Aucune autre lubrification n'est donc nécessaire.

REMPACEMENT DU CORDON D'ALIMENTATION

S'il y a lieu, le cordon d'alimentation doit être remplacé par un centre de réparation agréé afin d'éviter tout risque.

REMPACEMENT DU GARANT

Voir la figure 8, page 14.

À la suite d'un emploi prolongé, le garant finit par s'user et nécessiter un réglage ou un changement. Si vous laissez tomber la meuleuse et si le garant est endommagé, il vous sera également nécessaire de le remplacer.

Pour remplacer le garant :

- Débrancher la meuleuse.
 - Appuyez sur le bouton de blocage de la broche et tournez l'écrou de serrage afin de verrouiller la broche.
 - À l'aide de la clé fournie, desserrer et retirer l'écrou, la meule ou le disque, ainsi que la flasque du disque de la broche, si nécessaire. Voir la section **Installation/ Remplacement de la Meule** plus haut dans ce manuel.
 - Appuyer sur le levier et tournez garde de démonter / position de montage comme indiqué et retirer garde de meule.
 - Installer un protège-meule neuf sur l'épaulement du chapeau de roulement et appuyer fermement jusqu'à ce que le protège-meule soit fermement assis sur le chapeau de roulement.
- NOTE :** S'assurer que les languettes du protège-meule sont insérées correctement dans la rainure du chapeau de roulement.
- Tourner le protège-meule selon la bonne position du travail à accomplir.
 - Réinstaller la meule.

FIGURES (ILLUSTRATIONS) COMMENÇANT SUR 12 DE PAGE APRÈS LA SECTION ESPAGNOL.

Ce produit est accompagné d'une politique de satisfaction de 90 jours et d'une garantie limitée de trois (3) ans. Pour obtenir les détails de la garantie et de la politique, visiter le site www.RIDGID.com ou appeler (sans frais) au 1-866-539-1710.

REGLAS DE SEGURIDAD GENERALES

¡ADVERTENCIA!

Lea todas las instrucciones. El incumplimiento de las instrucciones señaladas abajo puede causar descargas eléctricas, incendios y lesiones serias. El término “herramienta eléctrica” empleado en todos los avisos de advertencia enumerados abajo se refiere a las herramientas eléctricas de cordón (alámbricas) y de pilas (inalámbricas).

GUARDE ESTAS INSTRUCCIONES

SEGURIDAD EN EL ÁREA DE TRABAJO

- **Mantenga limpia y bien iluminada el área de trabajo.** Un área de trabajo mal despejada o mal iluminada propicia accidentes.
- **No utilice herramientas eléctricas en atmósferas explosivas, como las existentes alrededor de líquidos, gases y polvos inflamables.** Las herramientas eléctricas generan chispas que pueden encender el polvo y los vapores inflamables.
- **Mantenga alejados a los niños y circunstancias al maniobrar una herramienta eléctrica.** Toda distracción puede causar la pérdida del control de la herramienta.

SEGURIDAD ELÉCTRICA

- **Las clavijas de las herramientas eléctricas deben corresponder a las tomas de corriente donde se conectan. Nunca modifique la clavija de ninguna forma. No utilice ninguna clavija adaptadora con herramientas eléctricas dotadas de contacto a tierra.** Conectando las clavijas originales en las tomas de corriente donde corresponden se disminuye el riesgo de una descarga eléctrica.
- **Evite el contacto del cuerpo con las superficies de objetos que estén haciendo tierra o estén conectados a ésta, como las tuberías, radiadores, estufas y refrigeradores.** Existe un mayor riesgo de descargas eléctricas si el cuerpo está haciendo tierra.
- **No exponga las herramientas eléctricas a la lluvia ni a condiciones de humedad.** La introducción de agua en una herramienta eléctrica aumenta el riesgo de descargas eléctricas.
- **No maltrate el cordón eléctrico. Nunca utilice el cordón para trasladar, desconectar o tirar de la herramienta eléctrica. Mantenga el cordón lejos del calor, aceite, bordes afilados y piezas móviles.** Los cordones eléctricos dañados o enredados aumentan el riesgo de descargas eléctricas.
- **Al utilizar una herramienta eléctrica a la intemperie, use un cordón de extensión apropiado para el exterior.** Usando un cordón adecuado para el exterior se disminuye el riesgo de descargas eléctricas.

SEGURIDAD PERSONAL

- **Permanezca alerta, preste atención a lo que esté haciendo y aplique el sentido común al utilizar herramientas eléctricas. No utilice la herramienta eléctrica si está cansado o se encuentra bajo los efectos de alguna droga, alcohol o medicamento.** Un momento de

inatención al utilizar una herramienta eléctrica puede causar lesiones corporales serias.

- **Use equipo de seguridad. Siempre póngase protección ocular.** El uso de equipo de seguridad como mascarilla para el polvo, calzado de seguridad, casco y protección para los oídos en las circunstancias donde corresponda disminuye el riesgo de lesiones.
- **Evite un arranque accidental de la unidad. Asegúrese de que el interruptor esté en la posición de apagado antes de conectar la herramienta.** Portar las herramientas eléctricas con el dedo en el interruptor, o conectarlas con el interruptor puesto, propicia accidentes.
- **Retire toda llave o herramienta de ajuste antes de encender la herramienta eléctrica.** Toda llave o herramienta de ajuste dejada en una pieza giratoria de la herramienta eléctrica puede causar lesiones.
- **No estire el cuerpo para alcanzar mayor distancia. Mantenga una postura firme y buen equilibrio en todo momento.** De esta manera se logra un mejor control de la herramienta eléctrica en situaciones inesperadas.
- **Vístase adecuadamente. No vista ropas holgadas ni joyas. Mantenga el cabello, la ropa y los guantes alejados de las piezas móviles.** Las ropas holgadas y las joyas, así como el cabello largo, pueden engancharse en las piezas móviles.
- **Si se suministran dispositivos para conectar mangueras de extracción y captación de polvo, asegúrese de que éstas estén bien conectadas y se usen correctamente.** La utilización de estos dispositivos puede disminuir los peligros relacionados con el polvo.
- **No vista ropas holgadas ni joyas. Recójase el cabello si está largo.** Las ropas holgadas y las joyas, así como el cabello largo, pueden resultar atraídas hacia el interior de las aberturas de ventilación.
- **No utilice la unidad al estar en una escalera o en un soporte inestable.** Una postura estable sobre una superficie sólida permite un mejor control de la herramienta en situaciones inesperadas.

EMPLEO Y CUIDADO DE LA HERRAMIENTA ELÉCTRICA

- **No fuerce la herramienta eléctrica. Utilice la herramienta eléctrica adecuada para cada trabajo.** La herramienta eléctrica adecuada efectúa mejor y de manera más segura el trabajo, si además se maneja a la velocidad para la que está diseñada.
- **No use la herramienta eléctrica si el interruptor no enciende o no apaga.** Cualquier herramienta eléctrica que no pueda controlarse con el interruptor es peligrosa y debe repararse.
- **Desconecte la clavija del suministro de corriente o retire el paquete de pilas de la herramienta eléctrica, según sea el caso, antes de efectuarle cualquier ajuste, cambiarle accesorios o guardarla.** Tales medidas preventivas de seguridad reducen el riesgo de poner en marcha accidentalmente la herramienta.
- **Guarde las herramientas eléctricas desocupadas fuera del alcance de los niños y no permita que las utilicen personas no familiarizadas con las mismas o con estas instrucciones.** Las herramientas son peligrosas en manos de personas no capacitadas en el uso de las mismas.

REGLAS DE SEGURIDAD GENERALES

- **Preste servicio a las herramientas eléctricas.** Revise para ver si hay desalineación o atoramiento de piezas móviles, ruptura de piezas o toda otra condición que pueda afectar el funcionamiento de la herramienta. Si está dañada la herramienta eléctrica, permita que la reparen antes de usarla. Numerosos accidentes son causados por herramientas eléctricas mal cuidadas.
- **Mantenga las herramientas de corte afiladas y limpias.** Las herramientas de corte bien cuidadas y con bordes bien afilados, tienen menos probabilidad de atascarse en la pieza de trabajo y son más fáciles de controlar.
- **Utilice la herramienta eléctrica, los accesorios, brocas, etc. de conformidad con estas instrucciones, y de la forma apropiada para cada una de dichas herramientas, tomando en cuenta las condiciones de trabajo y la tarea por realizar.** Si se utiliza la herramienta eléctrica para operaciones diferentes de las indicadas, podría originar una situación peligrosa de lesiones si se emplean con otra herramienta.
- **Permita que un técnico de reparación calificado preste servicio a la herramienta eléctrica, y sólo con piezas de repuesto idénticas.** De esta manera, se mantiene la seguridad de la herramienta eléctrica.

¡ADVERTENCIA!



Para reducir el riesgo de lesiones, el usuario debe leer el manual de instrucciones.

- **Al dar servicio a una herramienta eléctrica, sólo utilice piezas de repuesto idénticas. Siga las instrucciones señaladas en la sección Mantenimiento de este manual.** El empleo de piezas no autorizadas o el incumplimiento de las instrucciones de mantenimiento puede significar un riesgo de descarga eléctrica o de lesiones.

SERVICIO

REGLAS DE SEGURIDAD ESPECÍFICAS

ADVERTENCIAS DE SEGURIDAD GENERALES PARA LAS OPERACIONES DE ESMERILADO, LIJADO Y LIJADO

- **Esta herramienta eléctrica tiene la finalidad de funcionar como amoladora, lijadora y cepillo de alambre.** Lea todas las advertencias de seguridad, instrucciones, ilustraciones y especificaciones proporcionadas con esta herramienta eléctrica. El incumplimiento de las instrucciones señaladas abajo puede causar descargas eléctricas, incendios y lesiones serias.
- **No se recomienda utilizar esta herramienta eléctrica para pulido ni corte de alambres.** El uso de esta herramienta eléctrica para aplicaciones para las que no fue diseñada puede presentar un peligro y causar lesiones.
- **No use accesorios que no estén específicamente diseñados y recomendados por el fabricante de la herramienta.** Simplemente porque el accesorio puede fijarse a su herramienta eléctrica, no significa que se garantice que su manejo sea seguro.
- **La velocidad nominal del accesorio debe ser, por lo menos, igual a la velocidad máxima marcada en la herramienta eléctrica.** Los accesorios que funcionan a una velocidad mayor que la de su VELOCIDAD NOMINAL, pueden romperse y salir lanzados.
- **El diámetro exterior y el espesor de su accesorio deben encontrarse dentro de la capacidad nominal de su herramienta.** Los accesorios de tamaño incorrecto no se pueden proteger ni controlar adecuadamente.
- **El diámetro del árbol de los discos, de las bridas, de las almohadillas de respaldo o de cualquier otro accesorio debe adaptarse correctamente al husillo de la herramienta eléctrica.** Los accesorios con orificios para árbol que no coinciden con las piezas de montaje de la herramienta eléctrica se desequilibran, vibran en exceso y pueden causar la pérdida del control.
- **No use ningún accesorio dañado. Antes de cada uso, inspeccione los accesorios, por ejemplo, el disco abrasivo, para detectar desportilladuras y grietas; la almohadilla de respaldo para identificar grietas, desgaste o maltrato excesivo. Si la herramienta eléctrica o el accesorio se caen, inspecciónelos para ver si están dañados o instale un accesorio que no esté dañado. Después de inspeccionar e instalar un accesorio, manténgase alejado y mantenga alejadas a las personas presentes del plano del accesorio rotatorio y haga funcionar la herramienta eléctrica a máxima velocidad en vacío durante un minuto.** Por lo general, los accesorios dañados se rompen en este tiempo de prueba.
- **Póngase equipo de protección personal. Según la aplicación, use una careta protectora completa, gafas protectoras o anteojos de seguridad. Según corresponda, póngase una máscara antipolvo, protección auditiva, guantes y mandil para taller que puedan detener pequeños fragmentos abrasivos o trozos de la pieza de trabajo.** La protección ocular debe ser capaz de detener desechos lanzados por la herramienta que se hayan generado por los distintos usos. La máscara antipolvo o el respirador deben ser capaces de filtrar las partículas que se generen durante el funcionamiento. La exposición prolongada a ruidos de alta intensidad puede producir pérdida auditiva.
- **Mantenga alejadas del área de trabajo a las personas presentes. Cualquier persona que ingrese en el área de trabajo debe ponerse el equipo de protección personal.** Los fragmentos de la pieza de trabajo o de un accesorio roto pueden salir lanzados y provocar lesiones más allá del área inmediata de operación.

REGLAS DE SEGURIDAD ESPECÍFICAS

- **Sujete la herramienta eléctrica únicamente por las superficies aisladas de sujeción al efectuar una operación en la cual el accesorio de corte pueda entrar en contacto con cableado oculto o con su propio cable.** Es posible que todo contacto de un accesorio de corte con un cable cargado cargue las piezas metálicas expuestas de la herramienta eléctrica y dé una descarga eléctrica al operador.
- **Coloque el cable alejado del accesorio en movimiento.** Si pierde el control, es posible que el cable se corte o se atore, y su mano o brazo pueden ser arrastrados hacia el accesorio en movimiento.
- **Nunca coloque la herramienta eléctrica sobre una superficie hasta que el accesorio se haya detenido por completo.** El accesorio en movimiento puede engancharse en la superficie y arrancar la herramienta eléctrica fuera de su control.
- **No haga funcionar la herramienta eléctrica mientras el operador la transporte junto al cuerpo.** Si el accesorio en movimiento toca accidentalmente la ropa, puede atorarse y engancharse en el cuerpo.
- **Limpie con regularidad las rejillas de ventilación de la herramienta eléctrica.** El ventilador del motor atrae el polvo dentro del alojamiento, y la acumulación excesiva de polvillo de metal puede provocar riesgos eléctricos.
- **No use la herramienta eléctrica cerca de materiales inflamables.** Las chispas pueden encender estos materiales.
- **No use accesorios que requieran refrigerantes líquidos.** El uso de agua u otros refrigerantes líquidos puede causar electrocución o descarga eléctrica.

CONTRAGOLPE Y ADVERTENCIAS RELACIONADAS

El contragolpe es una reacción súbita a un disco en movimiento, almohadilla de respaldo, cepillo o cualquier otro accesorio pellizcado o atorado. El pellizcamiento o atoramiento hacen que el accesorio rotatorio se detenga repentinamente; esto, a la vez, hace que la herramienta eléctrica fuera de control sea despedida en dirección opuesta a la rotación del accesorio en el punto del atoramiento.

Por ejemplo, si un disco abrasivo se pellizca o atora en la pieza de trabajo, el borde del disco que entra en el punto de pellizcamiento puede penetrar en la superficie del material haciendo que el disco se salga o dé un contragolpe. Es posible que el disco salte hacia el operador o en dirección opuesta a él, según la dirección del movimiento del disco en el punto de pellizcamiento. Los discos abrasivos también se pueden romper en estas condiciones.

El contragolpe es el resultado del uso incorrecto de la herramienta eléctrica y/o de procedimientos o condiciones de trabajo incorrectas, y puede evitarse tomando las medidas de precaución adecuadas, como las señaladas abajo.

- **Mantenga una sujeción firme de la herramienta eléctrica, y coloque el cuerpo y el brazo de manera que le permitan resistir las fuerzas de un contragolpe. Siempre que sea proporcionado, use el mango lateral para tener el máximo control sobre el contragolpe o la reacción del par de torsión durante el arranque.** El operador puede controlar las reacciones del par de torsión o las fuerzas del contragolpe, si toma las medidas de precaución adecuadas.

- **Nunca coloque la mano cerca del accesorio rotatorio.** Es posible que se produzca un contragolpe del accesorio rotatorio sobre la mano.
- **No coloque el cuerpo en el área adonde se moverá la herramienta eléctrica si se produce un contragolpe.** El contragolpe impulsará la herramienta en la dirección opuesta al movimiento del disco en el punto de atoramiento.
- **Preste especial atención cuando trabaje en esquinas, bordes afilados, etc. Evite que el accesorio rebote o se atore.** Las esquinas, los bordes afilados o la acción de rebote tienden a hacer que el accesorio rotatorio se atore y provocan la pérdida del control o el contragolpe.
- **No use una hoja de tallar madera para cadena de la sierra ni una hoja dentada para sierra.** Dichas hojas suelen crear con frecuencia contragolpes y la consiguiente pérdida del control.

ADVERTENCIAS DE SEGURIDAD ESPECÍFICAS PARA LAS OPERACIONES DE ESMERILADO

- **Use solamente tipos de discos recomendados para su herramienta eléctrica y la protección específica diseñada para el disco seleccionado.** Los discos para los que no ha sido diseñada la herramienta eléctrica no se pueden proteger correctamente y no son seguros.
- **La protección debe fijarse firmemente a la herramienta eléctrica y colocarse para brindar la máxima seguridad posible, de manera que quede la menor cantidad de disco expuesta en dirección al operador.** La protección ayuda a resguardar al operador de los fragmentos de disco roto y del contacto accidental con el disco.
- **Los discos se deben emplear solamente para los usos recomendados. Por ejemplo: no esmerile con el costado de un disco de trocear.** Los discos de trocear abrasivos están diseñados para el esmerilado periférico, y si se aplican fuerzas laterales a estos discos, pueden romperse.
- **Use siempre bridas de discos que no estén dañadas y que sean del tamaño y forma correctos para el disco seleccionado.** Las bridas de discos adecuadas sostienen el disco reduciendo, de esa manera, la posibilidad de que se rompa. Es posible que las bridas para los discos de trocear sean diferentes de las bridas para las muelas abrasivas.
- **No use discos desgastados de herramientas eléctricas más grandes.** Los discos diseñados para herramientas eléctricas más grandes no son adecuados para las velocidades más elevadas de las herramientas más pequeñas y es posible que estallen.
- **Siempre utilice a guardia apropiado con rueda de amolar.** Un guardia protege a operario de fragmentos rotos de rueda.
- **Los accesorios se deben valorar para por lo menos la velocidad recomendada en la etiqueta de la advertencia de instrumento.** Las ruedas y otros accesorios que desborda la velocidad valorada puede volar aparte y para poder causar la herida.

REGLAS DE SEGURIDAD ESPECÍFICAS

ADVERTENCIAS DE SEGURIDAD ESPECÍFICAS PARA LAS OPERACIONES DE LIJADO

- No use discos de papel de lija excesivamente grandes. Siga las recomendaciones del fabricante cuando seleccione el papel de lija. El papel de lija más grande que sobresale de la almohadilla de lijado presenta un riesgo de laceraciones y puede causar atoramientos, desgarramiento del disco o contragolpe.

ADVERTENCIAS DE SEGURIDAD ESPECÍFICAS PARA LAS OPERACIONES DE CEPILLO DE ALAMBRE

- Tenga presente que el cepillo arroja cerdas de alambre incluso durante el funcionamiento normal. No fuerce demasiado las cerdas de alambre al aplicar una carga excesiva sobre el cepillo. Las cerdas pueden penetrar fácilmente las prendas finas y la piel.
- Si se recomienda la utilización de una protección para las operaciones con cepillo de alambre, evite que se introduzcan elementos entre el disco o cepillo de alambre y la protección. Es probable que el disco o cepillo aumente de diámetro debido a la carga de trabajo y las fuerzas centrífugas.

REGLAS ADICIONALES DE SEGURIDAD

- Familiarícese con su herramienta eléctrica. Lea cuidadosamente el manual del operador. Aprenda sus usos y limitaciones, así como los posibles peligros específicos de esta herramienta. Con el cumplimiento de esta regla se reduce el riesgo de una descarga eléctrica, incendio o lesión seria.
- Siempre use gafas de seguridad. Los anteojos de uso diario tienen lentes resistentes a impactos únicamente; NO son anteojos de seguridad. Con el cumplimiento de esta regla se reduce el riesgo de lesiones serias.
- Protéjase los pulmones. Use una careta o mascarilla contra el polvo si la operación genera mucho polvo. Con el cumplimiento de esta regla se reduce el riesgo de lesiones serias.
- Protéjase los oídos. Durante períodos prolongados de utilización del producto, póngase protección para los oídos. Con el cumplimiento de esta regla se reduce el riesgo de lesiones serias.

- Inspeccione periódicamente los cordones eléctricos de las herramientas, y si están dañados, permita que los reparen en el centro de servicio autorizado más cercano de la localidad. Observe constantemente la ubicación del cordón eléctrico. Con el cumplimiento de esta regla se reduce el riesgo de una descarga eléctrica o incendio.
- Revise para ver si hay piezas dañadas. Antes de seguir utilizando la herramienta, es necesario inspeccionar cuidadosamente toda protección o pieza dañada para determinar si funcionará correctamente y desempeñará la función a la que está destinada. Verifique la alineación de las partes móviles, que no haya atoramiento de las mismas, que no haya piezas rotas, el montaje de las piezas y cualquier otra condición que pudiera afectar su funcionamiento. Toda protección o pieza que esté dañada debe repararse apropiadamente o reemplazarse en un centro de servicio autorizado. Con el cumplimiento de esta regla se reduce el riesgo de una descarga eléctrica, incendio o lesión grave.
- Asegúrese de que esté en buen estado el cordón de extensión. Al utilizar un cordón de extensión, utilice uno del suficiente calibre para soportar la corriente que consume el producto. Se recomienda que los conductores sean de calibre 14 (A.W.G.) por lo menos, para un cordón de extensión de 15 metros (50 pies) de largo o menos. No se recomienda utilizar un cordón con más de 100 pies (30 metros) de largo. Si tiene dudas, utilice un cordón del calibre más grueso siguiente. Cuanto menor es el número de calibre, mayor es el grueso del cordón. Un cordón de un calibre insuficiente causa una caída en el voltaje de línea, y produce recalentamiento y pérdida de potencia.
- Inspeccione la madera y elimine todos los clavos presentes en la misma antes de usar esta herramienta. Con el cumplimiento de esta regla se reduce el riesgo de lesiones serias.
- Si está dañado el cordón de corriente, debe ser reemplazado únicamente por el fabricante o en un centro de servicio autorizado para evitar riesgos.
- Guarde estas instrucciones. Consúltelas con frecuencia y empléelas para instruir a otras personas que puedan utilizar esta herramienta. Si presta a alguien esta herramienta, facilítele también las instrucciones.

CALIFORNIA - PROPUESTA DE LEY NÚM. 65

ADVERTENCIA:




Este producto puede contener sustancias químicas (por ejemplo, plomo) reconocidas por el estado de California como causantes de cáncer, defectos congénitos y otras afecciones del aparato reproductor. **Lávese las manos después de utilizar el aparato.** Algunos ejemplos de estas sustancias químicas son:

- plomo de las pinturas a base de plomo,
- silicio cristalino de los ladrillos, del cemento y de otros productos de albañilería, y
- arsénico y cromo de la madera químicamente tratada.







El riesgo de la exposición a estos compuestos varía, según la frecuencia con que se realice este tipo de trabajo. Para reducir la exposición personal a este tipo de compuestos: trabaje en áreas bien ventiladas, y con equipo de seguridad aprobado, tal como las caretas para el polvo especialmente diseñadas para filtrar partículas microscópicas.

SÍMBOLOS

Las siguientes palabras de señalización y sus significados tienen el objeto de explicar los niveles de riesgo relacionados con este producto.

SÍMBOLO	SEÑAL	SIGNIFICADO
	PELIGRO:	Indica una situación peligrosa inminente, la cual, si no se evita, causará la muerte o lesiones serias.
	ADVERTENCIA:	Indica una situación peligrosa posible, la cual, si no se evita, podría causar la muerte o lesiones serias.
	PRECAUCIÓN:	Indica una situación peligrosa posible, la cual, si no se evita, podría causar lesiones menores o leves.
	AVISO:	(Sin el símbolo de alerta de seguridad) Indica información importante no relacionada con ningún peligro de lesiones, como una situación que puede ocasionar daños físicos.

Es posible que se empleen en este producto algunos de los siguientes símbolos. Le suplicamos estudiarlos y aprender su significado. Una correcta interpretación de estos símbolos le permitirá utilizar mejor y de manera más segura el producto.

SÍMBOLO	NOMBRE	DENOMINACIÓN/EXPLICACIÓN
	Alerta de seguridad	Indica un peligro posible de lesiones personales.
	Lea manual del operador	Para reducir el riesgo de lesiones, el usuario debe leer y comprender el manual del operador antes de usar este producto.
	Protección para los ojos	Siempre póngase la protección ocular con protección lateral marcada conforme al ANSI Z87.
	Protección para los ojos y oídos	Siempre póngase protección ocular con protección lateral con la marca de cumplimiento de la norma ANSI Z87.1 junto con protección auditiva.
	Alerta de condiciones húmedas	No exponga la unidad a la lluvia ni la use en lugares húmedos.
V	Volts	Voltaje
A	Amperes	Corriente
Hz	Hertz	Frecuencia (ciclos por segundo)
W	Watts	Potencia
min	Minutos	Tiempo
~	Corriente alterna	Tipo de corriente
n ₀	Velocidad en vacío	Velocidad de rotación, en vacío
	Outil de classe II	Fabricación con doble aislamiento
.../min	Por minuto	Revoluciones, carreras, velocidad superficial, órbitas, etc., por minuto

ASPECTOS ELÉCTRICOS

DOBLE AISLAMIENTO

El doble aislamiento es una característica de seguridad de las herramientas eléctricas, la cual elimina la necesidad de usar el típico cordón eléctrico de tres conductores con conexión a tierra. Todas las partes metálicas expuestas están aisladas de los componentes metálicos internos del motor por medio de aislamiento de protección. No es necesario conectar a tierra las herramientas con doble aislamiento.

ADVERTENCIA:

El sistema de doble aislamiento está destinado para proteger al usuario contra las descargas eléctricas resultantes de la ruptura del cableado interno de la herramienta. Observe todas las precauciones de seguridad para evitar descargas eléctricas.

NOTA: El mantenimiento de una herramienta con doble aislamiento requiere sumo cuidado y conocimiento del sistema, y únicamente deben realizarlo técnicos de servicio calificados. Para el servicio de la herramienta, le sugerimos llevarla al centro de servicio autorizado más cercano para toda reparación. Siempre utilice piezas de repuesto de la fábrica original al dar servicio a la unidad.

CONEXIÓN ELÉCTRICA

Este producto dispone de un motor eléctrico fabricado con precisión. Debe conectarse únicamente a un suministro de corriente de **120 V, de corriente alterna solamente (corriente normal para uso doméstico), 60 Hz.** No utilice esta herramienta con corriente continua (c.c.). Una caída considerable de voltaje causa una pérdida de potencia y el recalentamiento del motor. Si la herramienta no funciona al conectarla en una toma de corriente, vuelva a verificar el suministro de voltaje.

CORDONES DE EXTENSIÓN

Al utilizar una herramienta eléctrica a una distancia considerable de la fuente de voltaje, asegúrese de utilizar un cordón de extensión con la suficiente capacidad para soportar la corriente de consumo de la herramienta. Un cordón de un calibre insuficiente causa una caída en el voltaje de línea, la cual a su vez produce recalentamiento y pérdida de potencia. Básese en la tabla suministrada para determinar el grueso mínimo requerido del cordón de extensión. Solamente deben utilizarse cordones con forro redondo registrados en Underwriter's Laboratories (UL).

Al trabajar a la intemperie con una herramienta, utilice un cordón de extensión fabricado para uso en el exterior. Este tipo de cordón lleva las letras "WA" o "W" en el forro.

Antes de utilizar un cordón de extensión, inspecciónelo para ver si tiene conductores flojos o expuestos y aislamiento cortado o gastado.

**Amperaje (aparece en la placa frontal)

	0-2,0	2,1-3,4	3,5-5,0	5,1-7,0	7,1-12,0	12,1-16,0
Longitud del cordón	Calibre conductores (A.W.G.)					
25'	16	16	16	16	14	14
50'	16	16	16	14	14	12
100'	16	16	14	12	10	—

**Se usa en los circuitos de calibre 12, 20 A.

NOTA: AWG = Calibre conductores norma americana

ADVERTENCIA:

Mantenga el cordón de extensión fuera del área de trabajo. Al trabajar con una herramienta eléctrica, coloque el cordón de tal manera que no pueda enredarse en la madera, herramientas ni en otras obstrucciones. La inobservancia de esta advertencia puede causar lesiones serias.

ADVERTENCIA:

Inspeccione los cordones de extensión cada vez antes de usarlos. Si están dañados reemplácelos de inmediato. Nunca utilice la herramienta con un cordón dañado, ya que si toca la parte dañada puede producirse una descarga eléctrica, y las consecuentes lesiones serias.

CARACTERÍSTICAS

ESPECIFICACIONES DEL PRODUCTO

Capacidad de la muela abrasiva..... 115 mm (4,5 pulg.)
Rosca del husillo 5/8 pulg. x 11 UNC

Velocidad en vacío 11 000 r/min (RPM)
Corriente de entrada 120 voltios, sólo corriente alterna (c.a.), 60 Hz, 8 A

ARMADO

DESEMPAQUETADO

Este producto requiere armarse.

- Extraiga cuidadosamente de la caja la herramienta y los accesorios. Todos los elementos enumerados en la sección “**Incluye**” se deben incluir al momento de la compra.

ADVERTENCIA:

Las piezas incluidas en esta sección de *Armado* no vienen ensambladas en el producto de fábrica y requieren la instalación por parte del cliente. El uso de un producto que pueda haber sido armado de manera incorrecta podría provocar lesiones personales graves..

- Inspeccione cuidadosamente la producto para asegurarse de que no haya sufrido ninguna rotura o daño durante el transporte.
- No deseché el material de empaquetado sin haber inspeccionado cuidadosamente la producto y haberla utilizado satisfactoriamente.
- Si hay piezas dañadas o faltantes, le suplicamos llamar al 1-866-539-1710, donde le brindaremos asistencia.

ADVERTENCIA:

Si falta o está dañada alguna pieza, no utilice este producto sin haber reemplazado la pieza. Usar este producto con partes dañadas o faltantes puede causar lesiones serias al operador.

ADVERTENCIA:

No intente modificar este producto ni hacer accesorios no recomendados para la misma. Cualquier alteración o modificación constituye maltrato, el cual puede causar una condición peligrosa, y como consecuencia posibles lesiones serias.

ADVERTENCIA:

No conecte la unidad al suministro de corriente sin haber terminado de armarla. De lo contrario la unidad puede ponerse en marcha accidentalmente, con el consiguiente riesgo de lesiones serias.

INSTALACIÓN / REEMPLAZO DE LAS MUELAS ABRASIVAS

Veá la figura 1, página 12.

DANGER:

Nunca monte en esta amoladora angular hojas de cortar o tallar madera de ningún tipo. Solamente está diseñada para esmerilar y lijar. No se recomienda utilizar la herramienta para ningún otro uso, ya que puede presentar un peligro de lesiones serias.

PELIGRO:

Use SÓLO muelas tipo 27 con centro hundido. NUNCA conecte un TIPO 1 recto ni la rueda de corte de operaciones a esta muela. Este producto es sólo diseñado para moler. No se recomienda el uso de otro disco ya que puede presentar un peligro y ocasionar lesiones graves.

TIPO 27 - APTO PARA EL USO



TIPO 1 - NO APTO PARA EL USO



ADVERTENCIA:

Inspeccione completamente toda muela abrasiva antes de instalarla en la amoladora.

- Golpee levemente alrededor de la muela con un martillo de madera.
- Escuche cuidadosamente los sonidos producidos. Los lugares con fisuras o grietas producen un sonido diferente.

No utilice muelas que tengan fisuras o grietas.

Al instalar una nueva muela abrasiva, efectúe una prueba de revolución en vacío de un minuto aproximadamente, con la muela orientada en una dirección segura, o sea hacia donde no haya personas ni objetos.

ARMADO

- Desconecte la amoladora.
- Oprima el botón del bloqueo del husillo y gire la tuerca de brida hasta que se inmovilice el husillo.
NOTA: Para evitar dañar el husillo o el seguro del mismo, siempre deje que el motor se detenga completamente antes de enganchar el botón de bloqueo.
- Para cambiar la muela abrasiva, afloje y retire del husillo la tuerca de brida. No retire la brida circular.
- Asegúrese de que las partes planas de la parte inferior de la brida circular queden enganchadas en las partes planas del husillo.
- Coloque la muela abrasiva en el husillo.

ADVERTENCIA:

Siempre instale las muelas abrasivas con el centro hundido contra la brida circular. De otra manera se causa el agrietamiento de la muela abrasiva al apretar la tuerca de sujeción. Esto puede producir lesiones corporales serias debido a la separación y lanzamiento de partículas flojas de la muela. No la apriete excesivamente.

-
- Enrosque la tuerca de brida en el husillo con el lado plano de la tuerca hacia arriba.
 - Acomode la parte elevada, la del diámetro pequeño de la tuerca de brida, en el orificio de la muela y apriétela con los dedos.
 - Oprima el botón del bloqueo del husillo y gire hacia la derecha la muela hasta que se inmovilice el husillo en su posición.
 - Con la llave suministrada apriete firmemente la tuerca de brida. No la apriete excesivamente.

PELIGRO:

Nunca conecte un TIPO 1 recto ni la rueda de corte de operaciones a esta muela del ángulo. Es sólo diseñado para moler. Utilice para cualquier otro propósito no es recomendado y crea un peligro, que tendrá como resultado la herida grave.

MONTAJE DEL MANGO LATERAL

Vea la figura 2, página 13.

- Desconecte la amoladora.
- Enrosque el mango lateral en el alojamiento de engranajes.
NOTA: El mango lateral instalarse en el lado izquierdo o derecho o la parte superior de la amoladora, según la preferencia del operador. Siempre debe utilizarse para evitar la pérdida del control y posibles lesiones serias.
- Apriete firmemente el mango lateral.

POSICIONAMIENTO DE LA PROTECCIÓN DEL DISCO

Vea las figuras 3 a 5, página 13.

La protección del disco en la amoladora debe estar posición correctamente según la ubicación del mango lateral. Nunca use la amoladora si la protección del disco no está trabada correctamente en su posición.

ADVERTENCIA:

Nunca coloque la protección del disco de manera que quede al frente de la amoladora. Esto puede producir lesiones serias debido a que las chispas y partículas sueltas lanzadas por la muela abrasiva saldrían dirigidas hacia el operador. Siempre coloque la protección del disco en el lugar correcto, como se muestra.

Para ajustar la protección del disco:

- Desconecte la amoladora.
- Oprima la palanca y gire la protección del disco hasta que se trabe en alguna de las seis posiciones posibles.

NOTA: Asegúrese de que las tres lengüetas de la protección del disco estén asentadas en las tres ranuras de la tapa del cojinete. Siempre asegúrese que la protección del disco esté trabada en una de las seis posiciones de fijación. Nunca utilice la amoladora sin la protección montada en su lugar y ajustada correctamente.

FUNCIONAMIENTO

⚠ ADVERTENCIA:

No permita que su familiarización con los productos le vuelva descuidado. Tenga presente que un descuido de un instante es suficiente para causar una lesión grave.

⚠ ADVERTENCIA:

Use siempre protección ocular con protección lateral con la marca de cumplimiento de la norma ANSI Z87.1 junto con protección auditiva y, si es necesario, un protector para toda la cara. La inobservancia de esta advertencia puede causar el lanzamiento de objetos hacia los ojos y otras lesiones graves.

⚠ ADVERTENCIA:

No utilice ningún aditamento o accesorio no recomendado por el fabricante de este producto. El empleo de aditamentos o accesorios no recomendados puede causar lesiones serias.

APLICACIONES

Este producto puede emplearse para los fines enumerados abajo:

- Esmerilar metales
- Lijado de superficies de madera o metal con disco abrasivo para pulido fino (se vende por separado)

ENCENDIDO Y APAGADO DE LA AMOLADORA

Vea la figura 6, página 14.

Para ENCENDER la amoladora:

- Mueva el interruptor de encendido y apagado hacia adelante y presione hacia abajo para bloquearlo.

Para APAGAR la amoladora:

- Presione el interruptor de encendido / apagado y deslice de nuevo a girar amoladora fuera.

⚠ ADVERTENCIA:

Para evitar la pérdida de control y cualquier lesión grave posible, siempre utilice la amoladora con el mango lateral instalado.

UTILIZACIÓN DE LA AMOLADORA

Vea la figura 7, página 14.

Siempre escoja y utilice cuidadosamente las muelas abrasivas recomendadas para el material por esmerilar. Asegúrese de que la velocidad de funcionamiento de cualquier disco accesorio seleccionado sea de 11 000 r/min o más. Las muelas abrasivas tipo 27 son adecuadas para esmerilar soldaduras, preparar superficies por soldar, esmerilar acero estructural y esmerilar acero inoxidable.

Para utilizar la amoladora siga estos pasos:

- Asegure el trabajo con una prensa de mano o fijela en un banco de trabajo.

⚠ PELIGRO:

Nunca use la amoladora si se retiró la protección del disco y siempre asegúrese que esté trabada en su posición. La herramienta ha sido diseñada para utilizarse solamente con la protección del disco. Intentar utilizar la amoladora con la protección desmontada puede causar el lanzamiento de partículas flojas hacia el operador, con las consiguientes lesiones corporales serias.

- Sostenga con ambas manos la amoladora al frente y lejos de usted, manteniendo la muela abrasiva alejada de la pieza de trabajo.
- Encienda la amoladora y deje que el motor y la muela abrasiva alcancen la máxima velocidad.
- Baje gradualmente la amoladora hasta que la muela abrasiva toque la pieza de trabajo.
- Mantenga la amoladora inclinada a un ángulo de 5 a 15 grados.

⚠ ADVERTENCIA:

Para evitar perder el control y sufrir lesiones corporales serias, siempre maneje la amoladora con ambas manos, manteniendo una de ellas en el mango lateral.

- Mueva continuamente la amoladora, a un paso estable y uniforme.

AVISO:

Si se mantiene la amoladora en un solo lugar demasiado tiempo, deja marcas y ranuras en la pieza de trabajo. Si se sostiene la amoladora a un ángulo muy pronunciado, también deja marcas en la pieza de trabajo debido a la concentración de presión en un área pequeña.

- Aplique justamente la presión suficiente para evitar el traqueteo y el rebote de la amoladora.

NOTA: Una presión elevada disminuye la velocidad de la amoladora y exige más esfuerzo por parte del motor. Normalmente el peso de la herramienta por sí mismo suministra la presión adecuada para la mayoría de los trabajos de esmerilado. Aplique una presión leve al esmerilar bordes mellados o pernos flojos, donde exista la posibilidad de que la amoladora se atore en el borde metálico.

- Levante la amoladora de la pieza de trabajo antes de apagarla.

MANTENIMIENTO

ADVERTENCIA:

Para el servicio de la unidad sólo utilice piezas de repuesto RIDGID® idénticas. El empleo de piezas diferentes puede causar un peligro o dañar el producto.

ADVERTENCIA:

Use siempre protección ocular con protección lateral con la marca de cumplimiento de la norma ANSI Z87.1 junto con protección auditiva y, si es necesario, un protector para toda la cara. La inobservancia de esta advertencia puede causar lesiones serias. Si la operación genera mucho polvo, también póngase una mascarilla contra el polvo.

MANTENIMIENTO GENERAL

Evite el empleo de solventes al limpiar piezas de plástico. La mayoría de los plásticos son susceptibles a diferentes tipos de solventes comerciales y pueden resultar dañados. Utilice paños limpios para eliminar la suciedad, el polvo, el aceite, la grasa, etc.

ADVERTENCIA:

No permita en ningún momento que fluidos para frenos, gasolina, productos a base de petróleo, aceites penetrantes, etc., lleguen a tocar las piezas de plástico. Las sustancias químicas pueden dañar, debilitar o destruir el plástico, lo cual a su vez puede producir lesiones corporales serias.

Las herramientas eléctricas que se utilizan en materiales de fibra de vidrio, paneles de yeso para paredes, compuestos de resanar o yeso, están sujetas a desgaste acelerado y posible fallo prematuro porque las partículas y limaduras de fibra de vidrio son altamente abrasivas para los cojinetes, escobillas, conmutadores, etc. Por consiguiente, no recomendamos el uso de esta herramienta durante períodos prolongados de trabajo en estos tipos de materiales. Sin embargo, si usted trabaja con cualquiera de estos materiales, es sumamente importante limpiar la herramienta con aire comprimido.

LUBRICACIÓN

Todos los cojinetes de esta herramienta están lubricados con suficiente cantidad de aceite de alta calidad para toda la vida útil de la unidad en condiciones normales de funcionamiento. Por lo tanto, no se necesita lubricación adicional.

REEMPLAZO DEL CORDÓN DE CORRIENTE

Un centro de servicio autorizado deben cambiar el cordón de corriente, en caso de que sea necesario, para evitar peligros.

REEMPLAZO DEL PROTECTOR

Vea la figura 8, página 14.

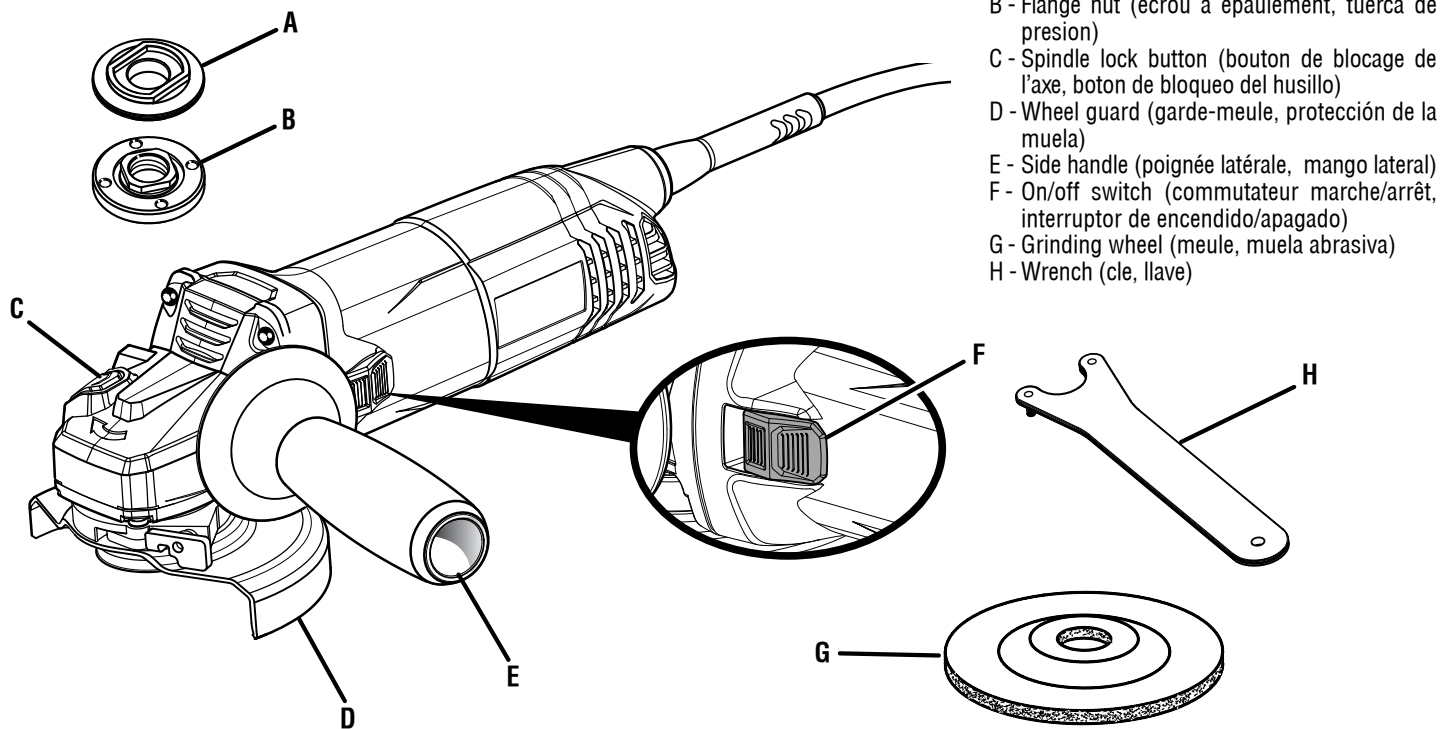
Después de uso prolongado, el protector se gasta y necesita ajustes o reemplazo. Si dejar caer al suelo la amoladora y se daña el protector también sería necesario reemplazarlo.

Para reemplazo del protector:

- Desconecte la amoladora angular.
- Oprima el botón de bloqueo del husillo y gire la tuerca de presión hasta que el husillo quede bloqueado.
- Utilice la llave provista para aflojar y retirar del husillo la tuerca, la muela de esmeril o el disco de goma y la brida del disco, de ser necesario. Consulte el apartado **Instalación/reemplazo de la protección**, previamente en este manual.
- Presione la palanca y gire la protección desarmar/posición de montaje como se muestra y extraer la protección.
- Coloque la nueva protección sobre el soporte de la cubierta del rodamiento y presione firmemente hasta que la protección quede bien sujeta a la cubierta del rodamiento.
NOTA: Asegúrese de que las lengüetas de la protección estén en las ranuras de la cubierta del rodamiento.
- Gire la protección a la posición correcta para usar la herramienta.
- Vuelva a instalar la muela abrasiva.

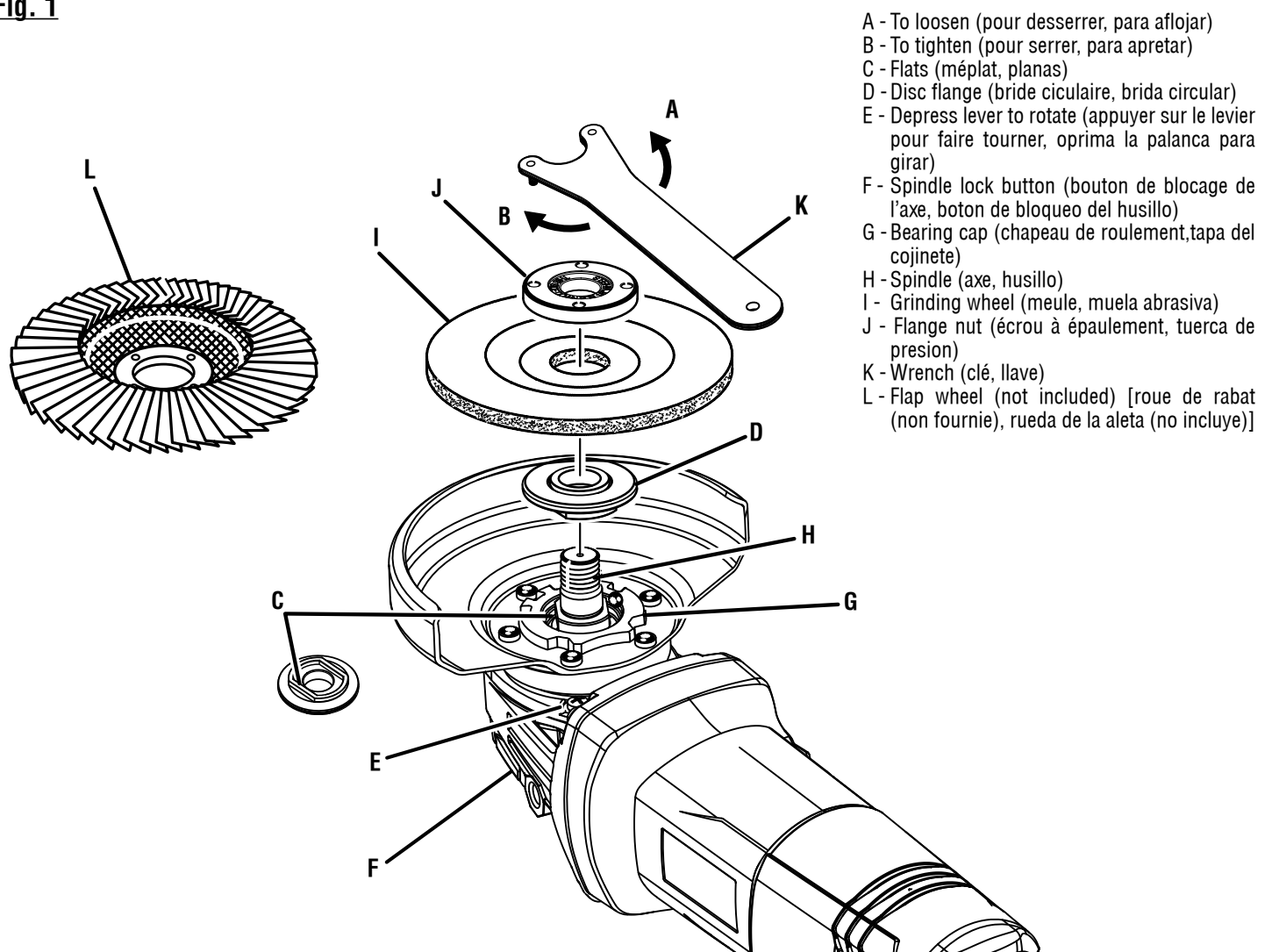
Este producto tiene una política de satisfacción garantizada de 90 días y una garantía limitada de tres años. Para obtener detalles sobre la garantía y la política de satisfacción garantizada, diríjase a www.RIDGID.com o llame sin cargo al 1-866-539-1710.

R1006



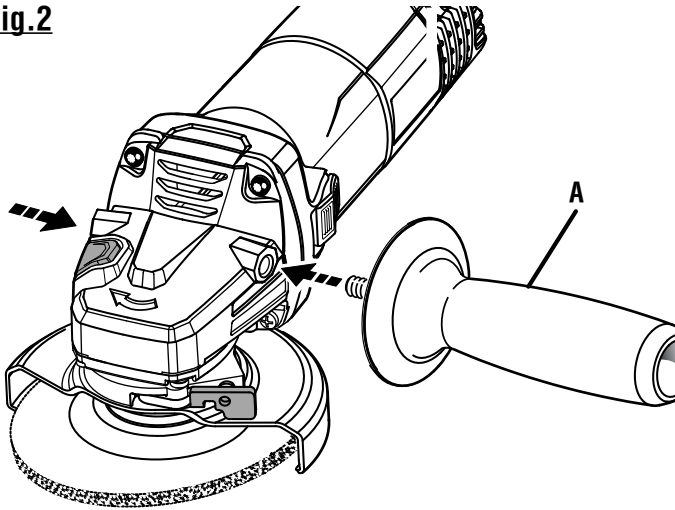
- A - Disc flange (bride circulaire, brida circular)
- B - Flange nut (écrou à épaulement, tuerca de presion)
- C - Spindle lock button (bouton de blocage de l'axe, boton de bloqueo del husillo)
- D - Wheel guard (garde-meule, protección de la muela)
- E - Side handle (poignée latérale, mango lateral)
- F - On/off switch (commutateur marche/arrêt, interruptor de encendido/apagado)
- G - Grinding wheel (meule, muela abrasiva)
- H - Wrench (cle, llave)

Fig. 1



- A - To loosen (pour desserrer, para aflojar)
- B - To tighten (pour serrer, para apretar)
- C - Flats (méplat, planas)
- D - Disc flange (bride circulaire, brida circular)
- E - Depress lever to rotate (appuyer sur le levier pour faire tourner, oprima la palanca para girar)
- F - Spindle lock button (bouton de blocage de l'axe, boton de bloqueo del husillo)
- G - Bearing cap (chapeau de roulement, tapa del cojinete)
- H - Spindle (axe, husillo)
- I - Grinding wheel (meule, muela abrasiva)
- J - Flange nut (écrou à épaulement, tuerca de presion)
- K - Wrench (clé, llave)
- L - Flap wheel (not included) [roue de rabat (non fournie), rueda de la aleta (no incluye)]

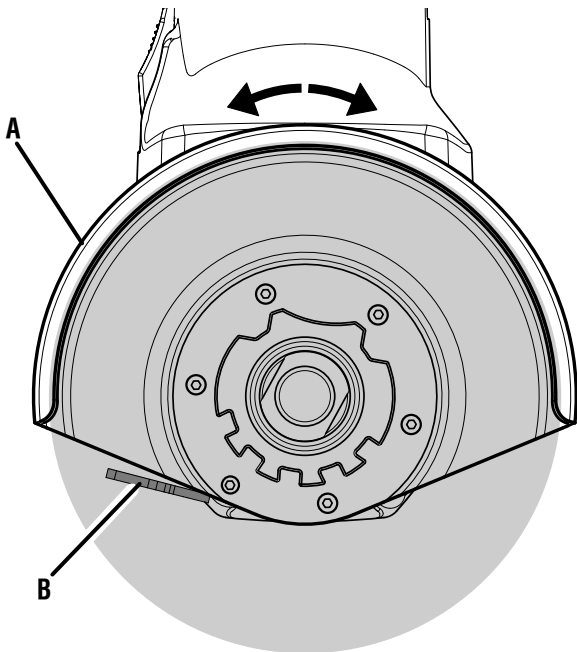
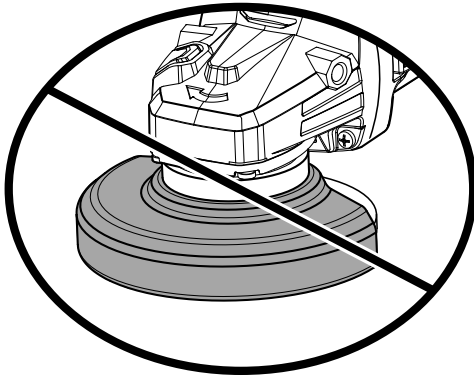
Fig.2



A - Side handle (poignée latérale, mango lateral)

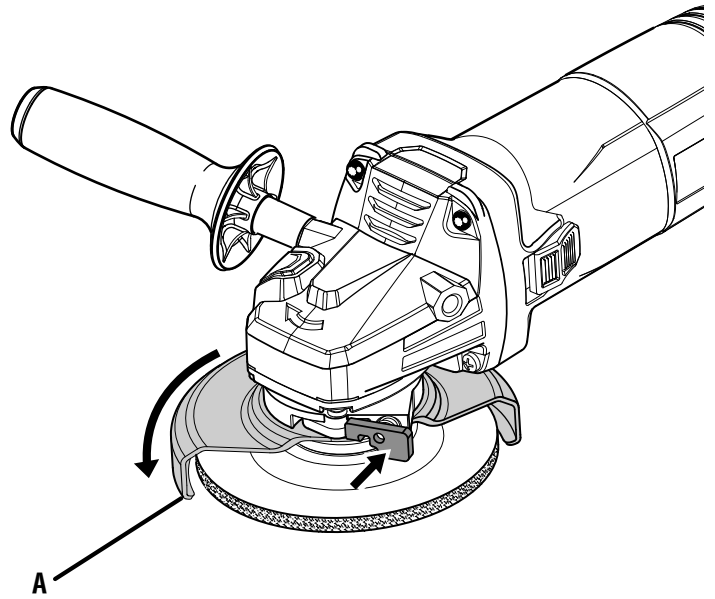
Fig.3

**INCORRECT OPERATING POSITION/
POSITION DE FONCTIONNEMENT INCORRECT/
POSICIÓN DE FUNCIONAMIENTO INCORRECTO**



A - Wheel guard (garde-meule, protección de la muela)
B - Depress lever to rotate (appuyer sur le levier, oprima la palanca para girar pour faire tourner)

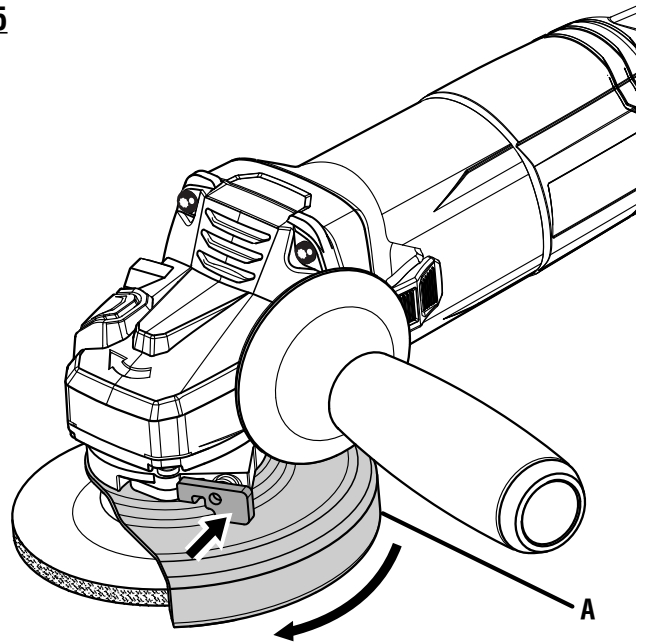
Fig.4



**SIDE HANDLE ON RIGHT SIDE/
POIGNÉE LATÉRALE À DROITE/
MANGO LATERAL EN EL LADO DERECHO**

A - Wheel guard (garde de disque, protección de la muela)

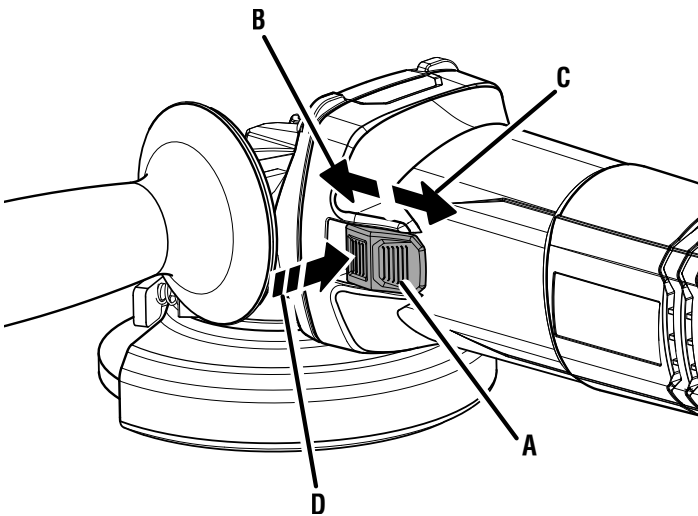
Fig.5



**SIDE HANDLE ON LEFT SIDE/
POIGNÉE LATÉRALE À GAUCHE/
MANGO LATERAL EN EL LADO IZQUIERDO**

A - Wheel guard (garde-meule, protección de la muela)

Fig.6



- A - On/off switch (commutateur marche/arrêt, interruptor de encendido/apagado)
B - On (marche, encendido)
C - Off switch (arrêt, apagado)
D - Press down to lock (enfoncer pour verrouiller, presione hacia abajo para bloquear)

Fig.7

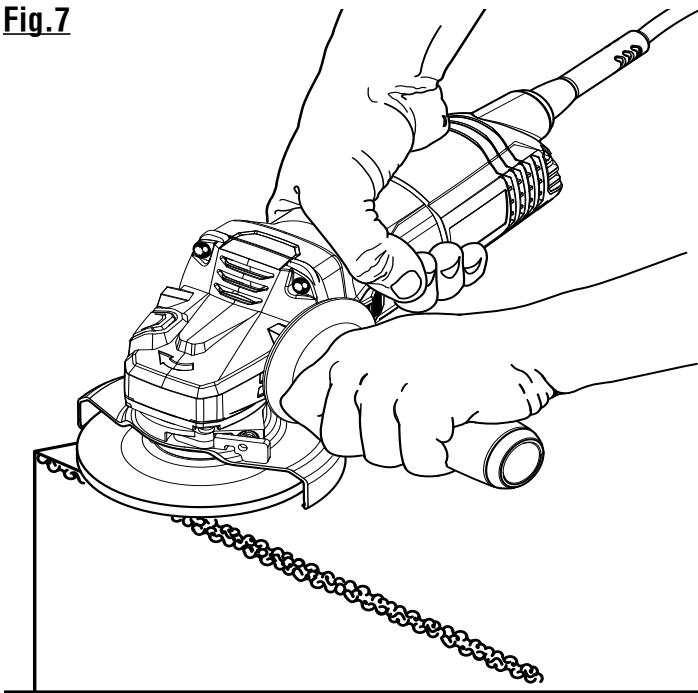
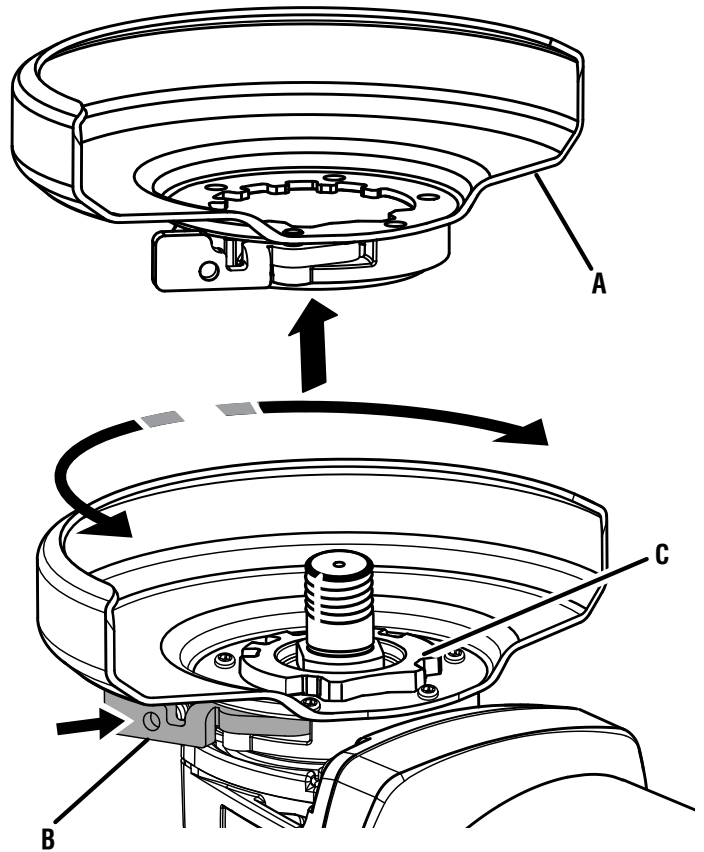


Fig. 8



**ASSEMBLY OF GUARD TO GRINDER /
FIXATION DU GARDE-MEULE SUR LA MEULEUSE /
CONJUNTO DE PROTECCIÓN DE LA AMOLADORA**

- A - Wheel guard assembly (ensemble de garde-meule, conjunto de protección de la muela)
B - Depress lever to rotate (appuyer sur le levier, oprima la palanca para girar pour faire tourner)
C - Bearing cap (couvercle de roulement, tapa de cojinete)

OPERATOR'S MANUAL

MANUEL D'UTILISATION

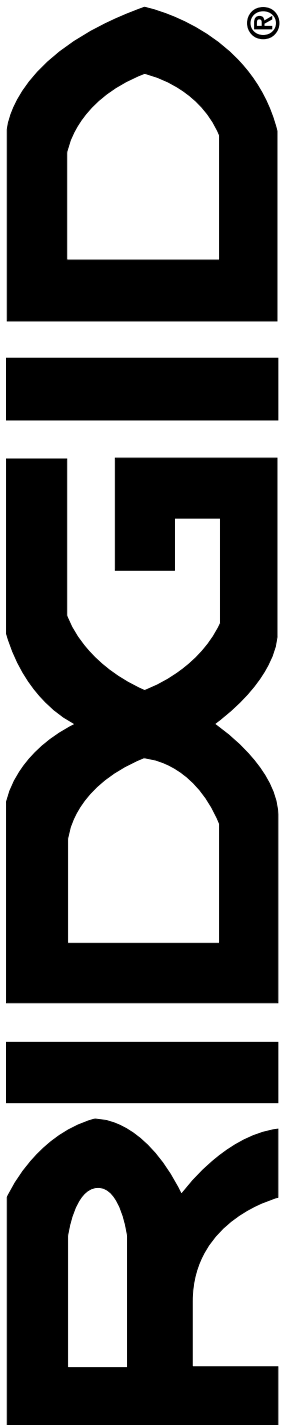
MANUAL DEL OPERADOR

4-1/2 in. ANGLE GRINDER

115 mm (4-1/2 po) MEULEUSE D'ANGLE

115 mm (4-1/2 pulg.) AMOLADORA ANGULAR

R1006



Customer Service Information:

For parts or service, do not return this product to the store. Contact your nearest RIDGID® authorized service center. Be sure to provide all relevant information when you call or visit. For the location of the authorized service center nearest you, please call 1-866-539-1710 or visit us online at www.ridgid.com.

MODEL NO. _____ SERIAL NO. _____

Service après-vente :

Pour acheter des pièces ou pour un dépannage, ne pas retourner ce produit au magasin. Contacter le centre de réparations RIDGID® agréé le plus proche. Veiller à fournir toutes les informations pertinentes lors de tout appel téléphonique ou visite. Pour obtenir l'adresse du centre de réparations agréé le plus proche, téléphoner au 1-866-539-1710 ou visiter notre site www.ridgid.com.

NO. DE MODÈLE _____ NO. DE SÉRIE _____

Información sobre servicio al consumidor:

Para piezas de repuesto o servicio, no devuelva este producto a la tienda. Comuníquese con el centro de servicio autorizado de productos RIDGID® de su preferencia. Asegúrese de proporcionar todos los datos pertinentes al llamar o al presentarse personalmente. Para obtener información sobre el centro de servicio autorizado más cercano a usted, le suplicamos llamar al 1-866-539-1710 o visitar nuestro sitio en la red mundial, en la dirección www.ridgid.com.

NÚM. DE MODELO _____ NÚM. DE SERIE _____

ONE WORLD TECHNOLOGIES, INC.

P.O. Box 35, Hwy. 8
Pickens, SC 29671, USA
1-866-539-1710 ■ www.ridgid.com

RIDGID is a registered trademark of RIDGID, Inc., used under license.