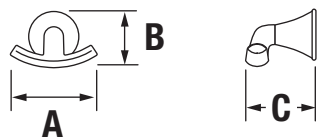


553RH, 553TB-18, 553TB-24, 553TP, 553TR
Accessory Suite
Operation & Maintenance Manual

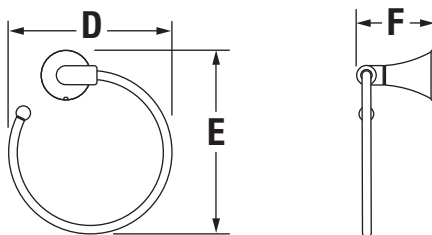
Model Numbers	Specification
<ul style="list-style-type: none"> <input type="checkbox"/> 553RH <i>Robe Hook</i> <input type="checkbox"/> 553TB-18 <i>18" Towel Bar</i> <input type="checkbox"/> 553TB-24 <i>24" Towel Bar</i> <input type="checkbox"/> 553TP <i>Toilet Paper Holder</i> <input type="checkbox"/> 553TR <i>Towel Ring</i> 	<p>All premium accessories constructed from metal materials, plated in standard polished chrome finish.</p> <hr/> <p>Compliance</p> <p><u>For California Residents</u> WARNING: This product contains chemicals known to the State of California to cause cancer, birth defects, or other reproductive harm.</p>
Modifications	Warranty
<ul style="list-style-type: none"> <input type="checkbox"/> -SBZ <i>Seasoned Bronze finish</i> <input type="checkbox"/> -STN <i>Satin Nickel finish</i> <p>Note: Append appropriate -suffix to model number.</p>	<p>Limited Lifetime - to the original end purchaser in consumer installations. 5 Years - for commercial installations. Refer to www.symmons.com/warranty for complete warranty information.</p>

Dimensions

553RH



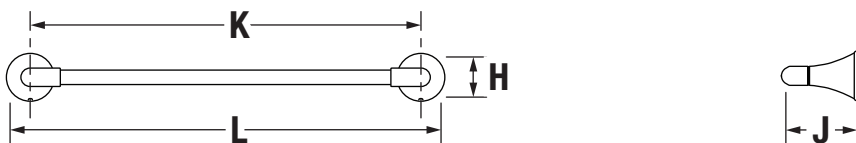
553TR



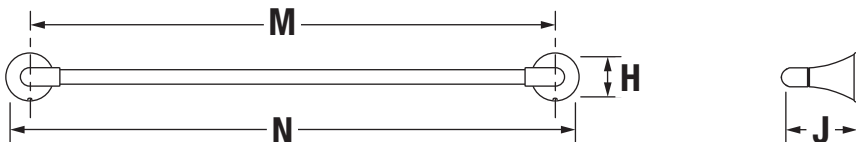
553TP



553TB-18




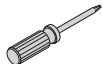

553TB-24



Measurements

A	3-5/8", 92 mm
B	2-3/8", 60 mm
C	3", 76 mm
D	7", 178 mm
E	7-7/8", 200 mm
F	3-1/4", 83 mm
G	8", 203 mm
H	2-1/8", 55 mm
I	10", 254 mm
J	3-1/4", 83 mm
K	19-7/8", 505 mm
L	22", 559 mm
M	25-15/16", 659 mm
N	28", 711 mm

Tools Required

Allen Wrench: 3/16"	
Phillips Head Screwdriver	
Power Drill	

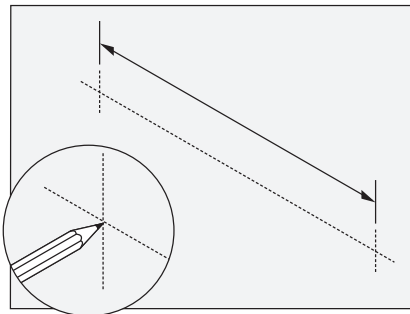
Replacement Parts

Description	Part Number
Mounting Hardware Kit	RA-017

Note: Dimensions subject to change without notice.

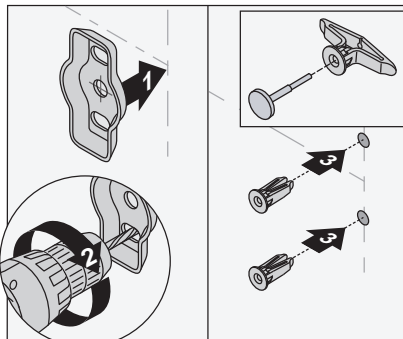
Installation

- 1) Measure and mark centerlines for mounting bracket installation using dimensions on page 2.



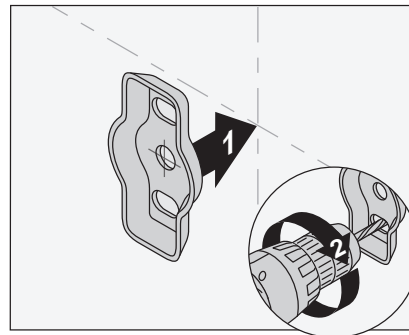
Note:
553TB-18 and 553TB-24 only. Make sure both centerline marks are level.

- 2a) **Dry Wall Option:** Place mounting brackets into desired position. Using brackets as a guide, carefully drill 5/16" holes into wall. Remove brackets and install anchors.

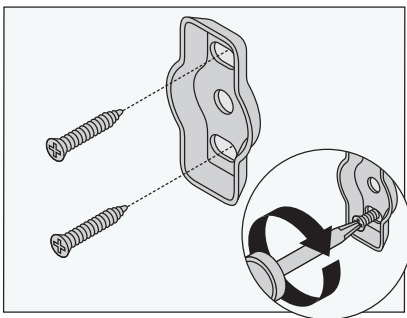


Note:
For plaster walls 1/2" thick or less, insert toggle tool into toggle to secure behind wall prior to installing accessory trim.

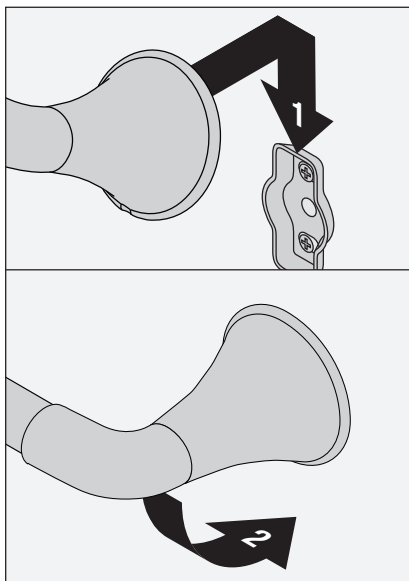
- 2b) **Stud Option:** Center bracket on centerline. Using brackets as a guide, carefully drill 3/16" holes into wall.



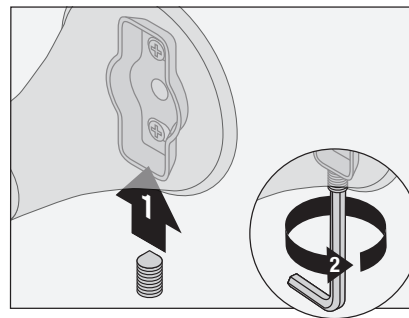
- 3) With mounting brackets in position, secure to wall using screws.



- 4) Hang top of accessory on mounting bracket. Lower into position.



- 5) Secure with set screw.



Troubleshooting Chart

Problem	Cause	Solution
Finish is spotting.	Elements in water supply may cause water staining on finish.	Clean finished trim area with a soft cloth using mild soap and water or a non-abrasive cleaner and then quickly rinse with water.