

Barrette

Vinyl Fence

Assembly and Installation Instructions



Models / Modelos/ Modèles

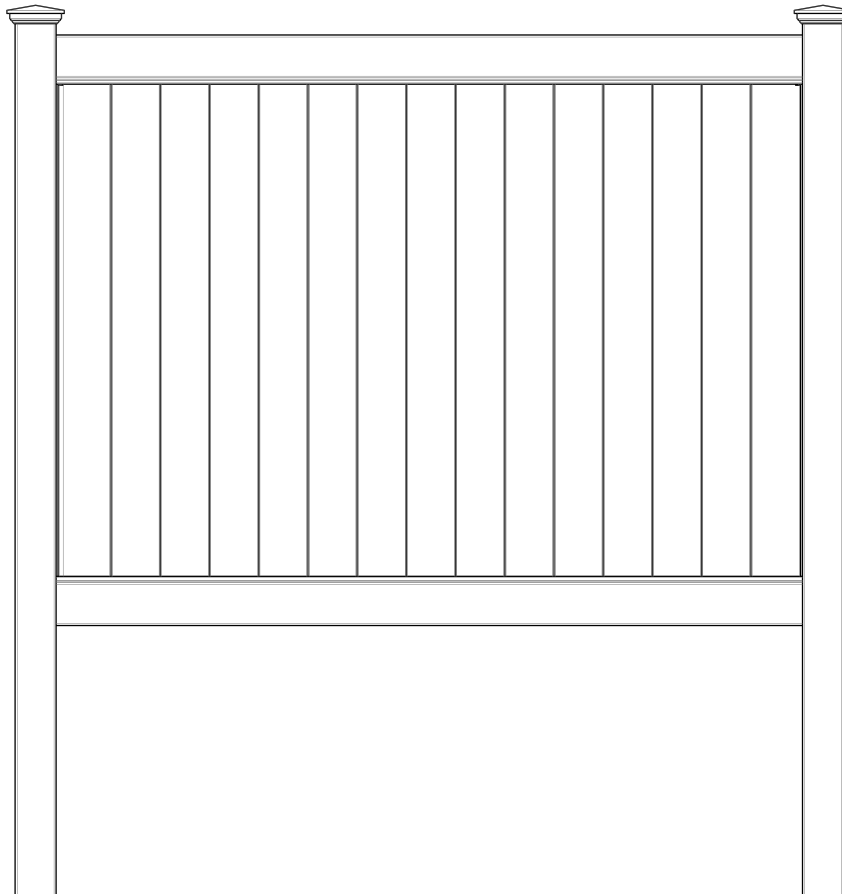
73010804 / 73010810 / 73010816 / 73010823
73010829 / 73010835 / 73010841 / 73010847
73010853 / 73010859 / 73010865 / 73010871
73011237 / 73011243 / 73011249 / 73011255
73011261 / 73011267 / 73011273 / 73011279
73011285 / 73011291 / 73011297 / 73011303
73012161 / 73012167 / 73012173
73012185 / 73012191 / 73012197
73012283 / 73012286 / 73012289
73012295 / 73012298 / 73012301
73012319 / 73012322 / 73012325 / 73012328
73012331 / 73012334 / 73012337 / 73012340
73013296 / 73013295
73013297 / 73013298 / 73013794 / 73013799
73013932 / 73013931

Owner's Manual
Manual del Propietario
Manuel du propriétaire

Version / Edición

2.0

34106384BOM V2 1/12



PLEASE READ OWNER'S MANUAL
COMPLETELY BEFORE ASSEMBLING YOUR
FENCE.

ALL STATED SIZES ARE NOMINAL DIMENSIONS.

POR FAVOR, LEA COMPLETAMENTE EL MANUAL DEL
PROPIETARIO ANTES DE ENSAMBLAR LA EDIFICACIÓN.

TODAS LAS DIMENSIONES INDICADAS SON NOMINALES.

PRIÈRE DE LIRE LE MANUEL DU PROPRIÉTAIRE EN
ENTIER AVANT D'ASSEMBLER LA REMISE.

TOUTES LES DIMENSIONS INDIQUÉES SONT NOMINALES.

Thank you for choosing the Barrette Outdoor Living Fence. Please read the instructions completely before assembling your fence. Retain manual and your dated sales slip for future reference and warranty claims.

Before You Begin...

Check your local zoning laws.

- Local zoning laws and Home Owners Associations may regulate the location, style and height of your fence or even require a permit signoff beforehand.

Contact your local utilities companies.

- You must have the utility companies clearly mark your property for electrical, gas or water lines to avoid puncturing any unseen underground utilities.

Pay to mark your property line.

- Being proactive will save you time and money from any disputes from neighbors.

© 2011 Barrette Outdoor Living
7830 Freeway Circle
Middleburg Heights, Ohio 44130

Material Checklist:

- | | |
|---|---|
| <input type="checkbox"/> Flat Head Screwdriver | <input type="checkbox"/> Safety Glasses |
| <input type="checkbox"/> Circular Saw or Hand Saw | <input type="checkbox"/> String Line Stakes |
| <input type="checkbox"/> Bag of High Strength Concrete (1½ bags per hole average) | <input type="checkbox"/> Spool of String |
| <input type="checkbox"/> Coarse Gravel (6" per hole) | <input type="checkbox"/> Vinyl Cement |
| <input type="checkbox"/> Water for Concrete | <input type="checkbox"/> Line Level |
| <input type="checkbox"/> Clean Rags | <input type="checkbox"/> Tape Measure |
| <input type="checkbox"/> Post Hole Digger | <input type="checkbox"/> Shovel |
| | <input type="checkbox"/> Rubber Mallet |

ATTENTION: Before you assemble the fence:

PLEASE TAKE A COMPLETE INVENTORY OF ALL PARTS USING THE KIT CONTENTS.

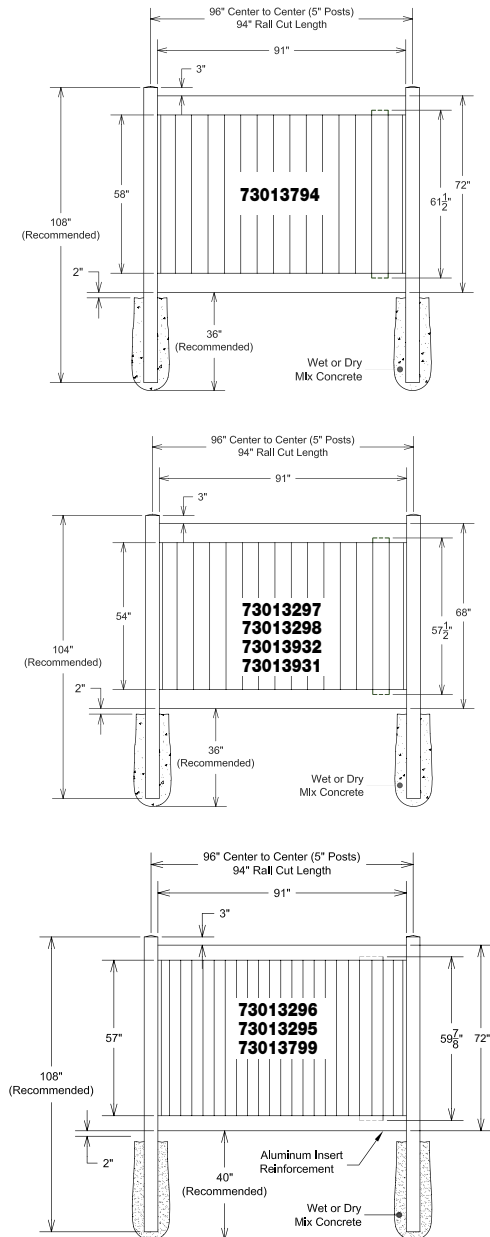
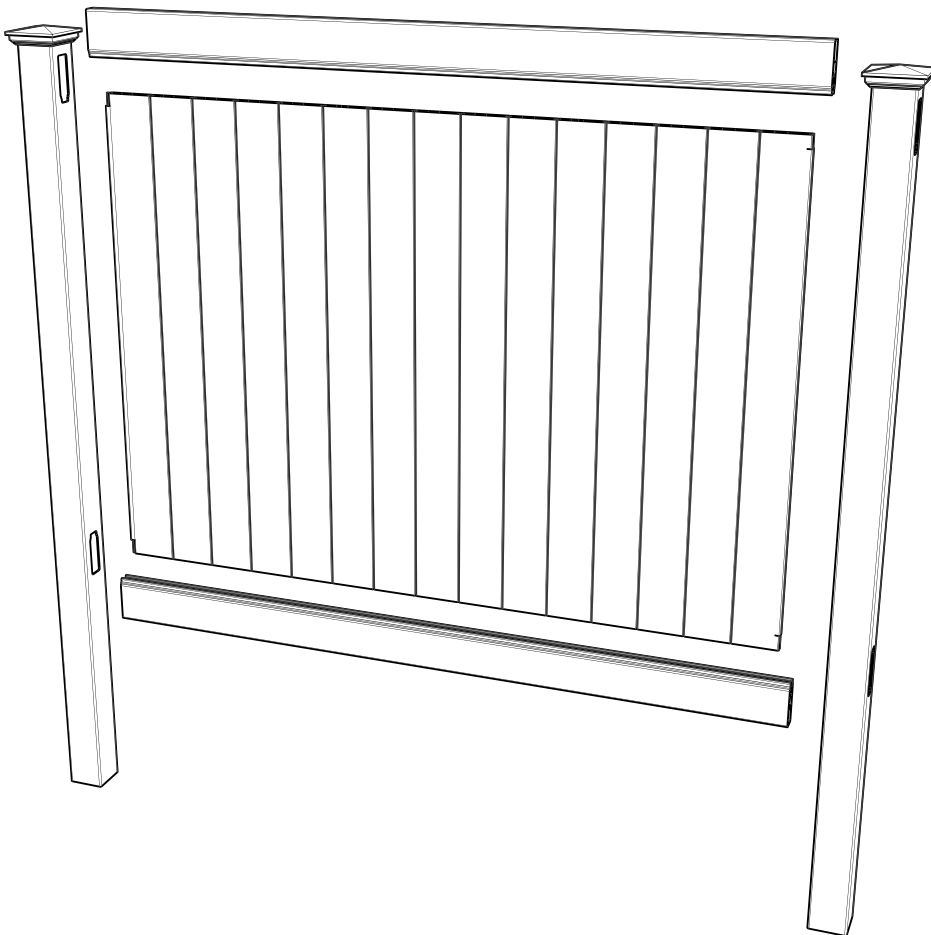
DO NOT ATTEMPT TO ASSEMBLE THE FENCE IF PARTS ARE MISSING OR DAMAGED.

Please do not return the product to the store, for assistance or replacement parts call:

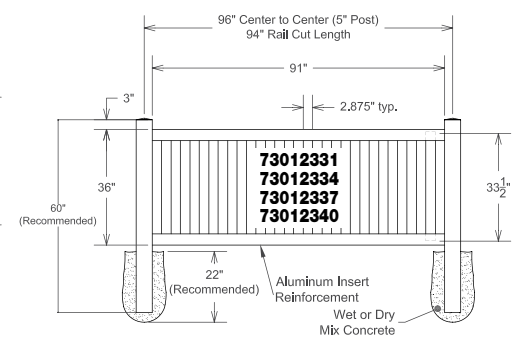
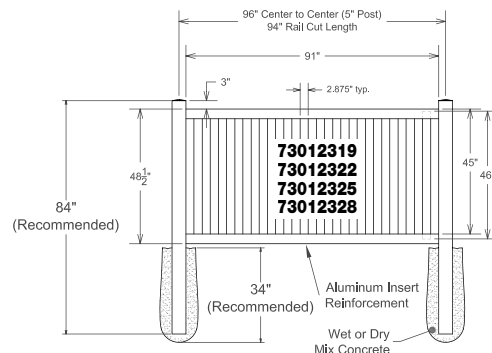
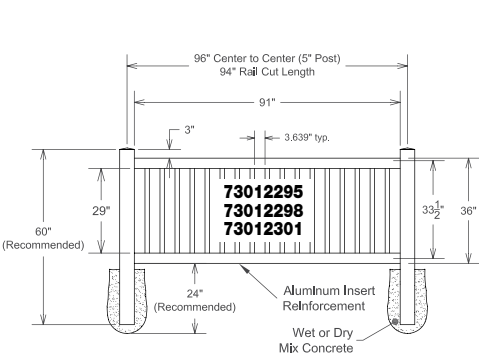
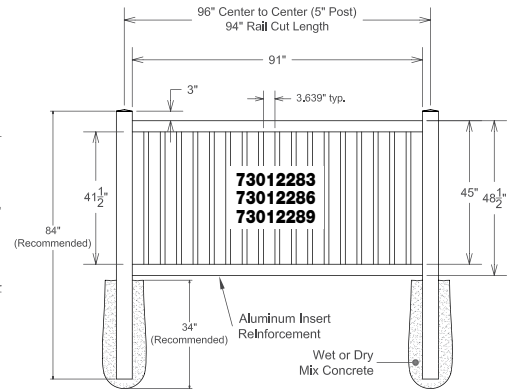
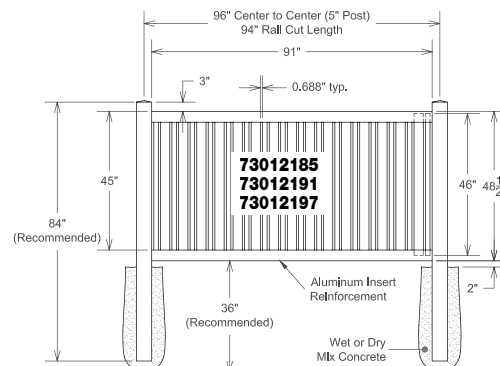
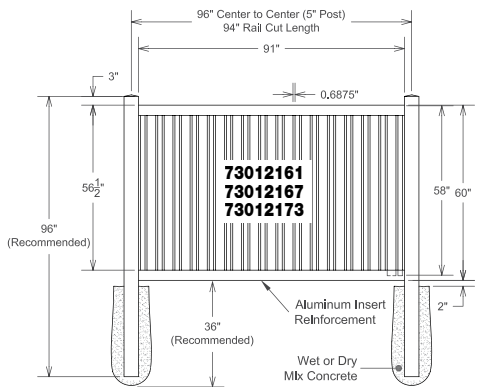
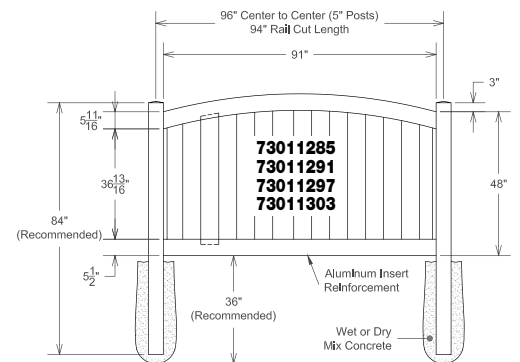
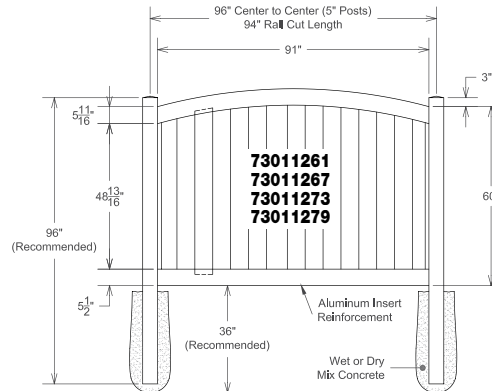
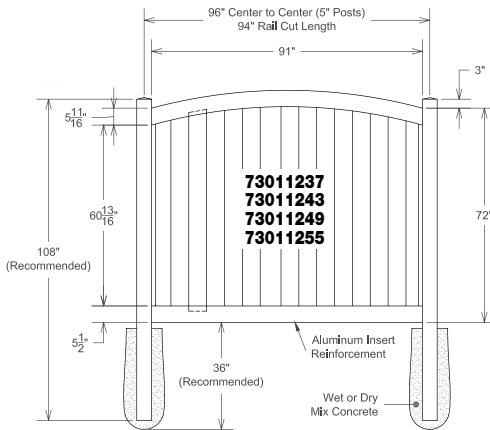
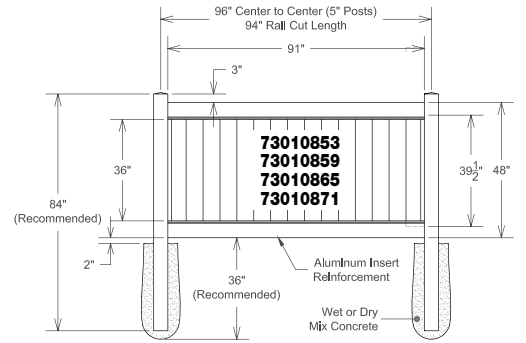
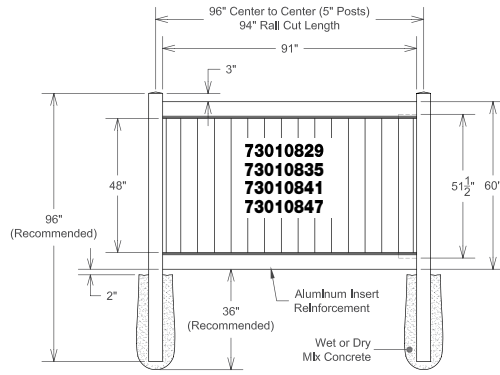
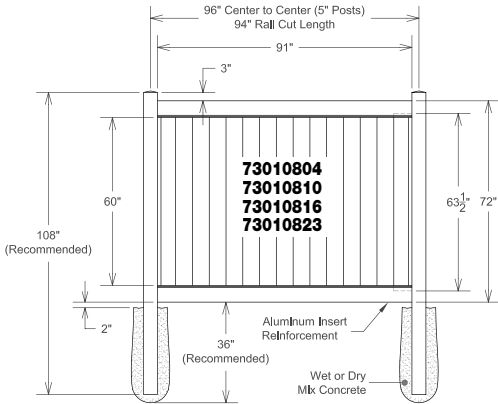
1-800-336-2383

Product Overview:

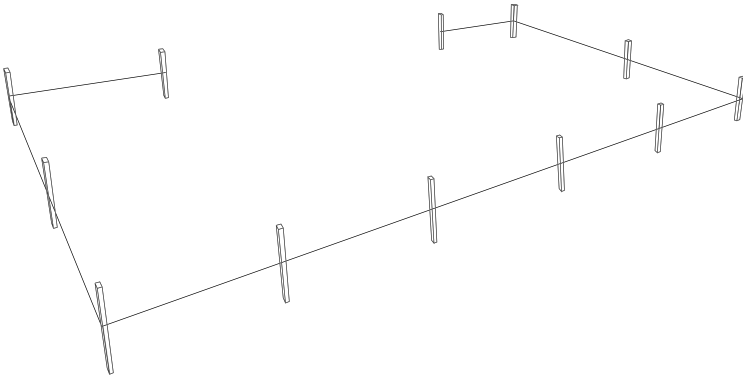
Panel Assembly:



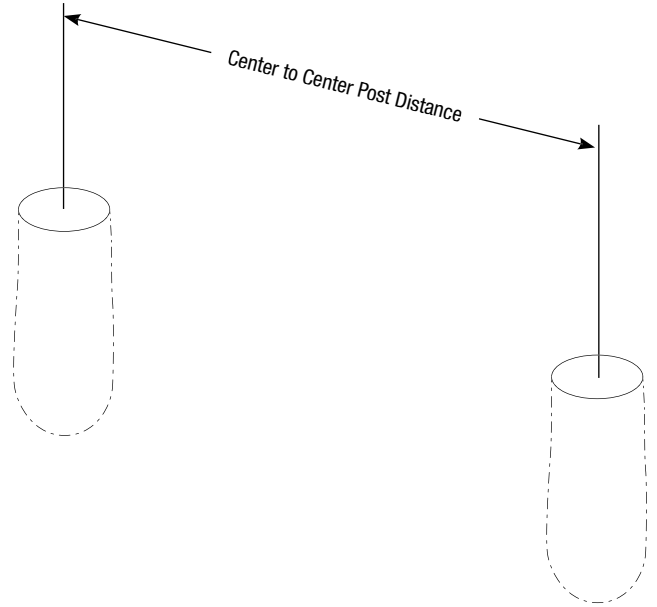
Product Overview:



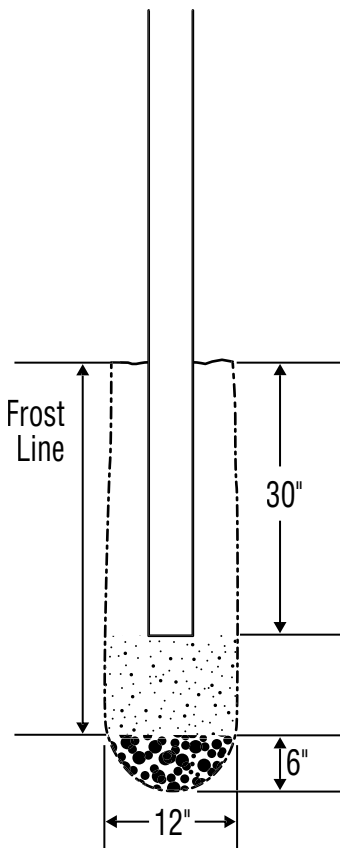
1 Mark the fence location using string and line stakes.



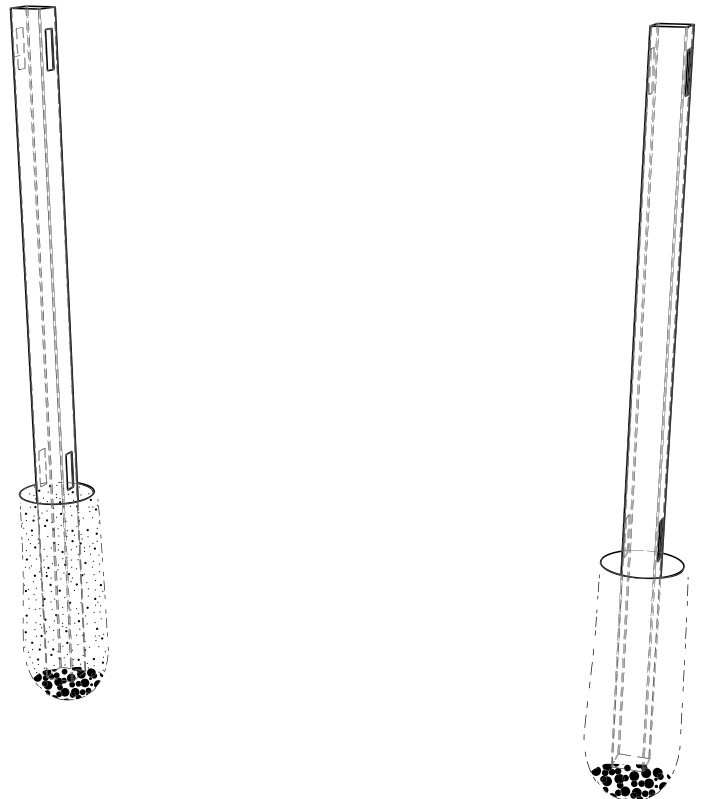
2 Dig post holes 12" in diameter 36" deep. Use the Center to Center measurements of the fence model being installed for the Center to Center Post Distance. If a fence panel is being used that is less than the width of a full panel, or if posts are being used other than 5" in width, measure the width of the panel and add the width of one post, that will be the Center-to-Center post distance of the holes.



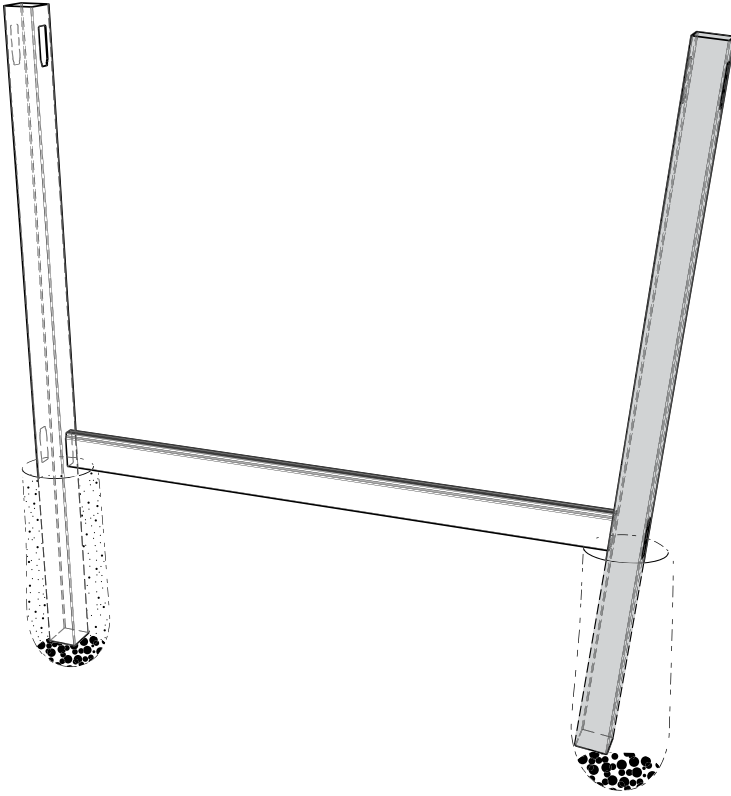
3 If frost line exceeds 30" dig hole to the appropriate depth and then add 6" of gravel for post drainage. Add concrete according to manufacturers instructions until a depth of 30" remains. Set post in hole ensuring it is plumb and level. Fill hole with concrete according to manufacturers instructions. Go to step 5.



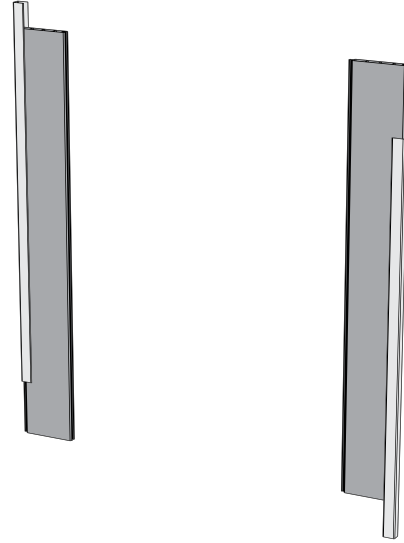
4 If frost line does not exceed 30", insert 6" of gravel into bottom of both holes then set post in ground ensuring it is level. Ensure first post is plumb and level and then add concrete according to manufacturers instructions.



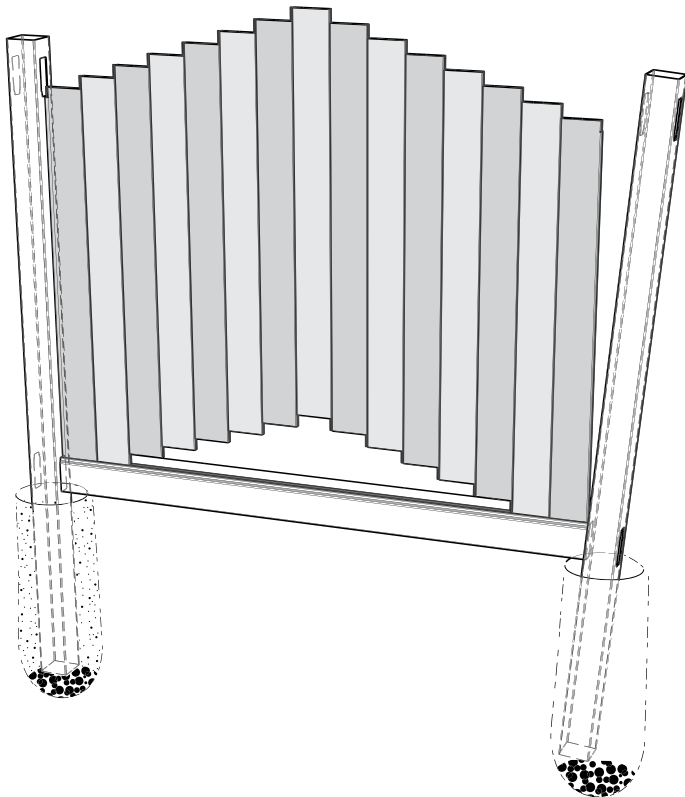
5 For Build-It-Yourself panel, insert aluminum into bottom rail, then insert bottom rail into bottom post route hole of first post only.



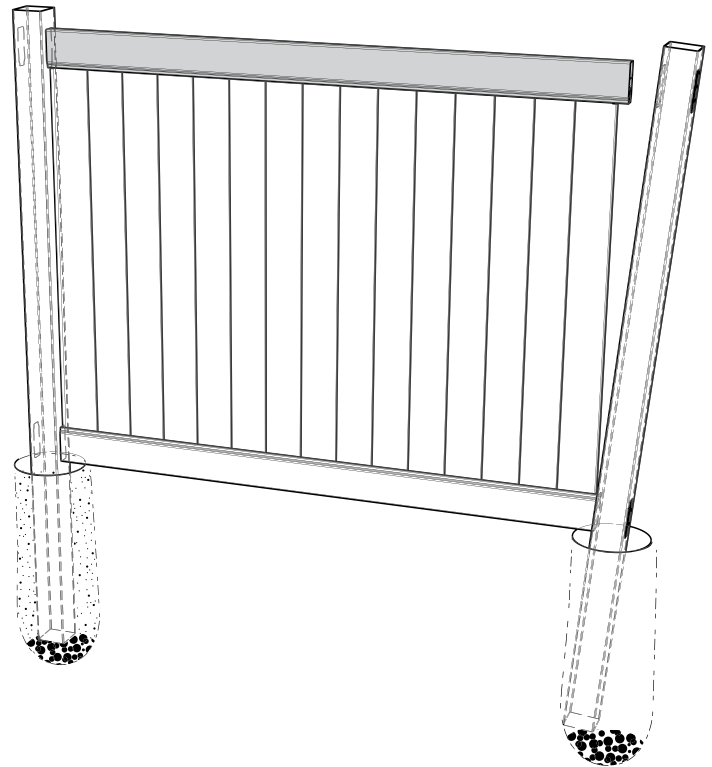
6 Next, attach U-Channels to boards (if applicable). If assembling Red Cedar panels, you must screw U-Channels to post first and then add boards.



7 Insert pickets/boards from left to right into lower rail(s) ensuring U-Channels are on both ends.
Note: Scalloped and Arched panels have pickets/boards that are numbered. Start from left side with the #1 picket/board first.

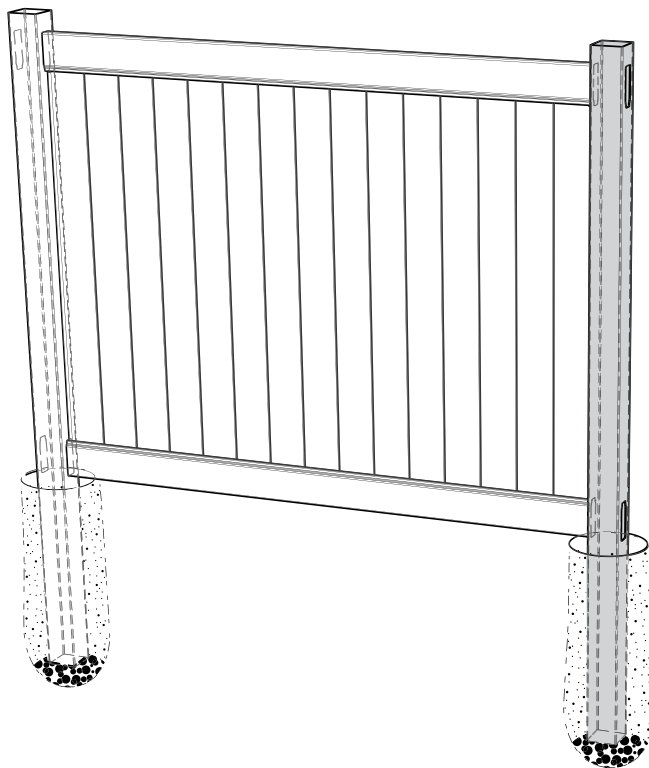


8 Insert the top rail into the left side of the post route then guide over top of pickets/boards.

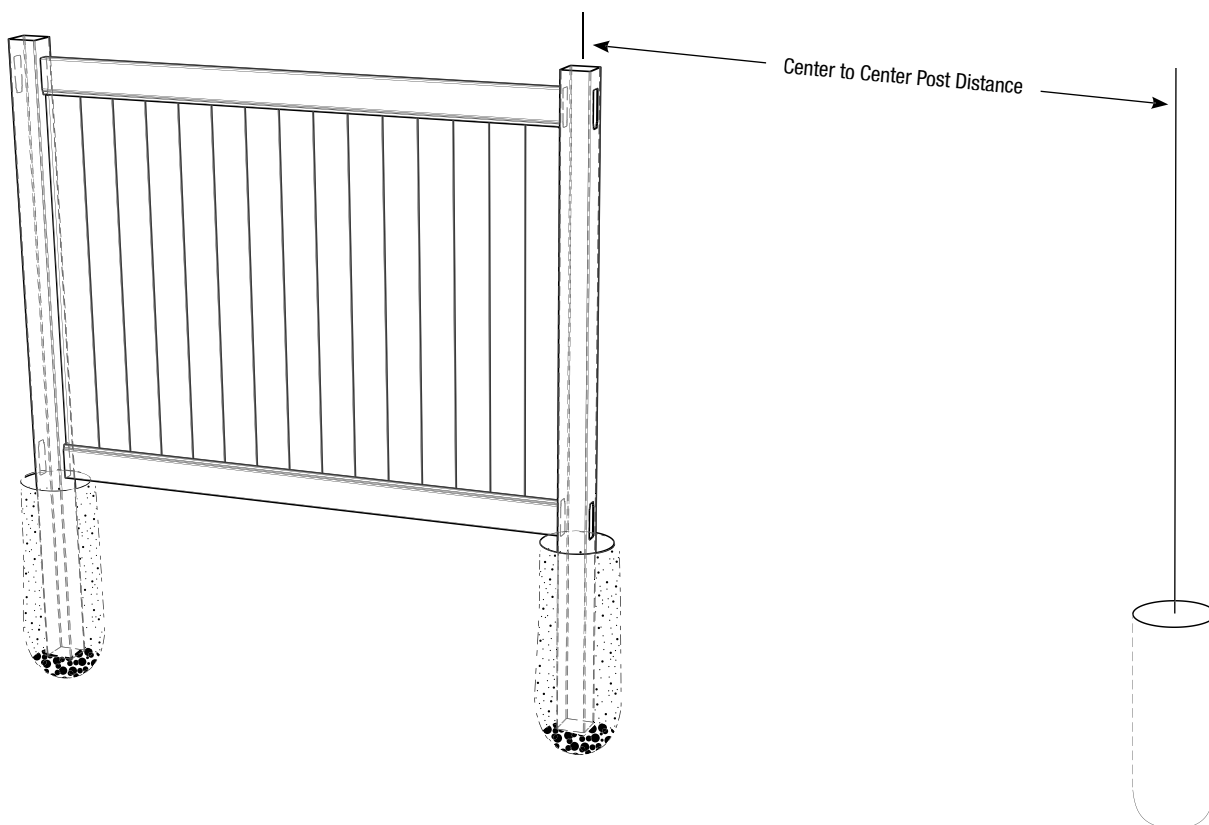


9

Insert the completed fence panel into the route holes of the second fence post. Plumb and level the post and add concrete according to manufacturers instructions.

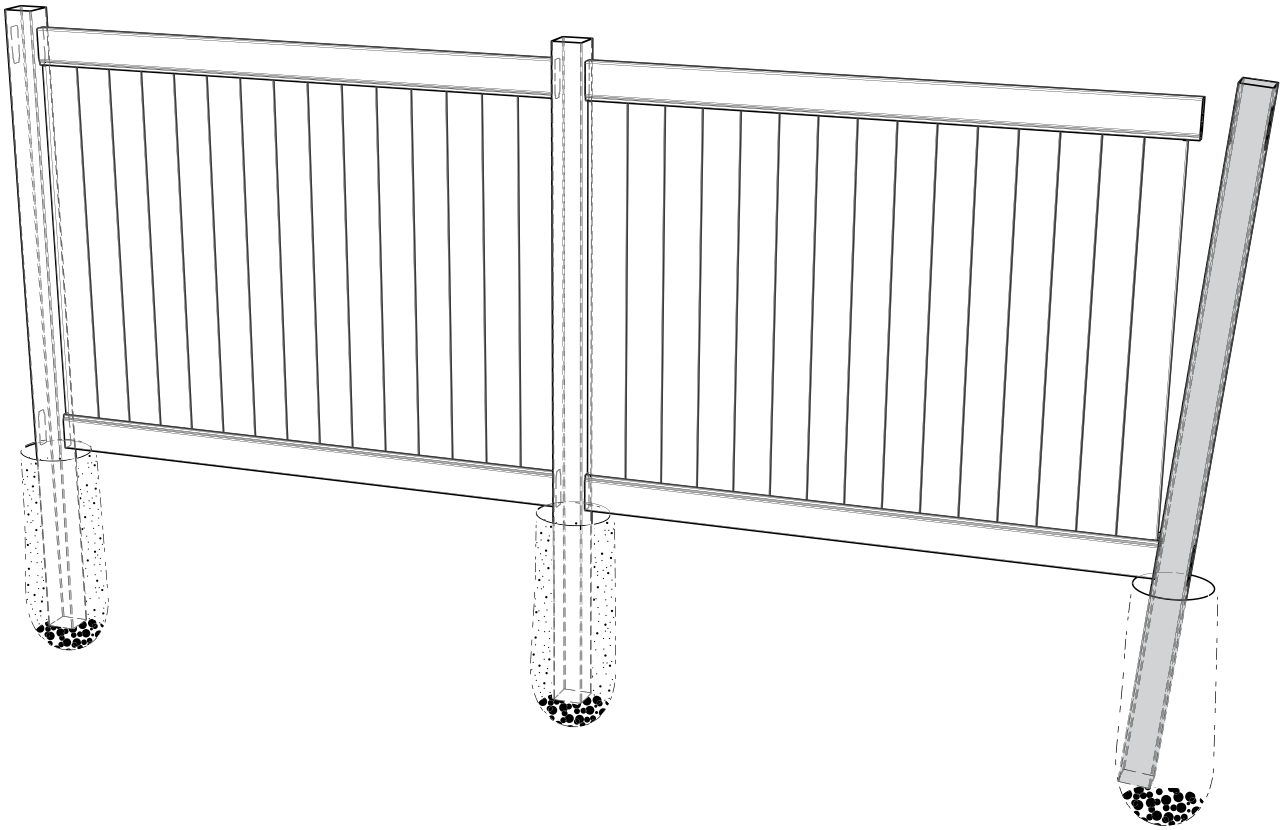
**10**

Check to ensure the second Post is level, then measure panel plus add dimensions from center of 2nd post to center of next and dig the third post hole accordingly.

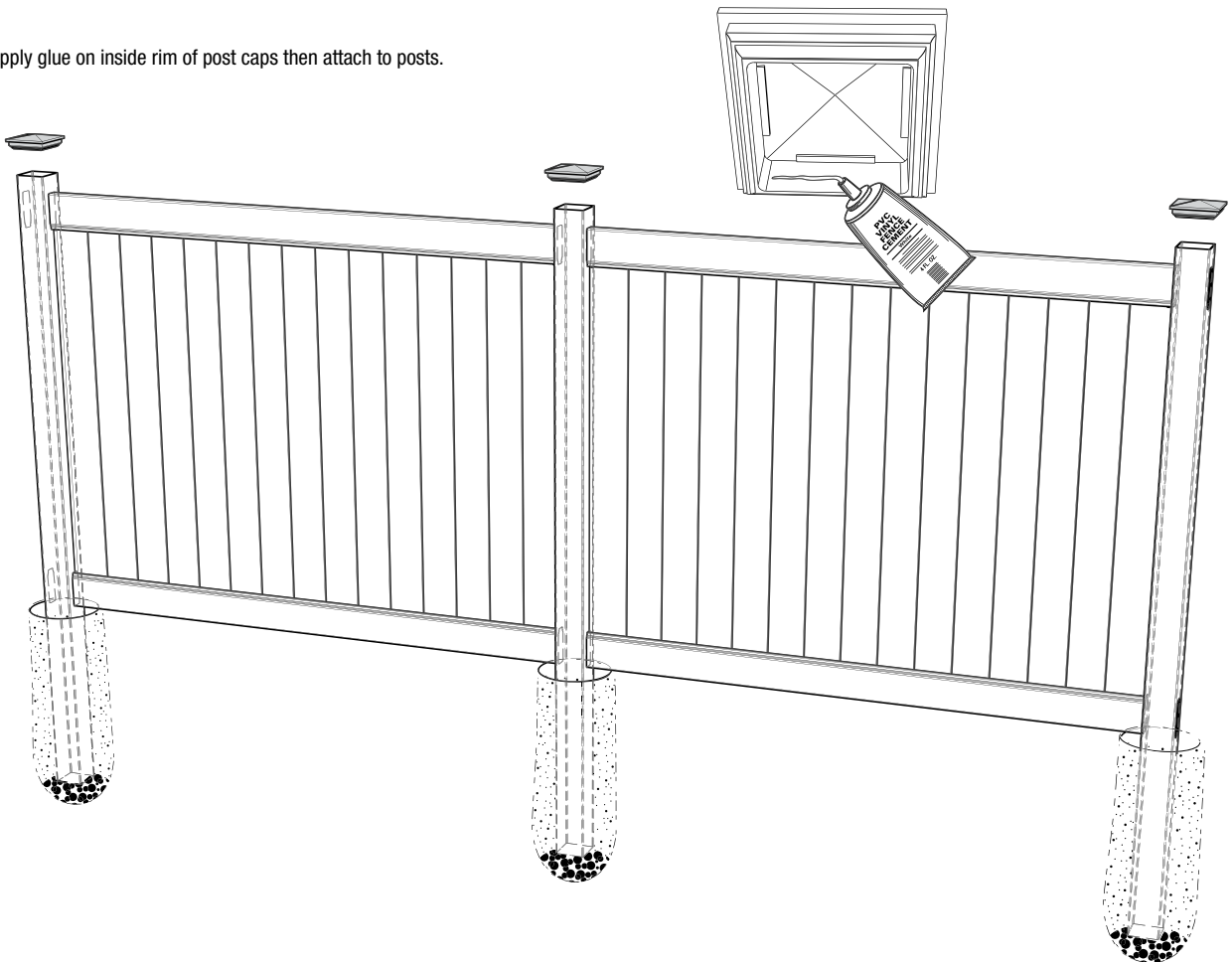


11

Repeat process from steps 2 to 9 until all fence panels and posts have been installed.

**12**

Apply glue on inside rim of post caps then attach to posts.





Transferable Limited Lifetime Warranty

What is covered: Barrette Outdoor Living warrants vinyl and aluminum products to include vinyl fence, railing, plastic lattice, trellis, arbors and aluminum fence against defects or workmanship for as long as you own your home. Barrette Outdoor Living will at its option repair or replace the product in question with new product of the same or equivalent value at no charge. Barrette Outdoor Living warrants these products against fading, peeling, flaking, splintering, corroding, rusting or abnormal discoloration under normal use and service. This warranty extends to the original purchaser or transferee as specified herein.

What this warranty does not cover: This limited warranty does not cover damage resulting from accident, unreasonable use, neglect, alteration, improper service, improper installation, acts of God or any other causes not arising out of defects in materials or workmanship. Additionally, this warranty does not cover costs of installation, removal, reinstallation or surface mold and mildew created by excessive environmental conditions. Any service or repair provided outside the scope of this limited warranty shall be at Barrette Outdoor Living's rate and terms then in effect.

What do we do to correct the problems? Should your Barrette Outdoor Living product prove defective under warranty, reference the website or call the phone number listed below. Your problem will be assigned a tracking number and an authorized Barrette Outdoor Living representative will contact you to arrange a convenient time to schedule an onsite inspection, if need be. If after onsite inspection product is deemed to be manufacturer defect we will make arrangements to rectify the issue. You must have proof of your purchase in order for the problem to be corrected.

Transferee Coverage: Warranty coverage will be extended to transferees on the above listed products with the following limitations. Transferee must obtain an original or copy of the initial sales receipt (with proof of date) from the previous owner(s). Additionally, if fence is purchased from a builder or installer, documentation must be supplied that names the product installed on property and date of transfer.

THIS WARRANTY IS IN LIEU OF ALL CONDITIONS OR WARRANTIES, EXPRESS, OR IMPLIED INCLUDING BUT NOT LIMITED TO ANY IMPLIED CONDITIONS OR WARRANTIES OR MERCHANTABILITY OR FITNESS FOR A PARTICULAR PURPOSE ON THE PART OF Barrette OR ITS LICENSORS, SOME STATES DO NOT ALLOW THE EXCLUSIONS OF IMPLIED WARRANTIES OR LIMITATIONS OF HOW LONG AN IMPLIED WARRANTY LASTS, SO THE ABOVE LIMITATIONS MAY NOT APPLY TO YOU. IF THE PRODUCT IS DEFECTIVE PER THE ABOVE COVERAGES, YOUR SOLE AND EXCLUSIVE REMEDY SHALL BE REPAIR OR REPLACEMENT AS PROVIDED ABOVE. BARRETTE AND ITS LICENSORS SHALL NOT BE LIABLE FOR ANY DAMAGES, LOSS OF USE, LOSS OF PROFITS OR INTERRUPTION OF BUSINESS WHETHER SUCH ALLEGED DAMAGES ARE BASED IN WARRANTY, TORT, CONTRACT, OR INDEMNITY. SOME STATES DO NOT ALLOW THE EXCLUSION OF LIMITATIONS OF INCIDENTAL OR CONSEQUENTIAL DAMAGES, SO THE ABOVE LIMITATIONS MAY NOT APPLY TO YOU. THIS WARRANTY IS VALID ONLY IN THE UNITED STATES AND CANADA.

1-800-336-2383

Models

73010804 / 73010810 / 73010816 / 73010823
73010829 / 73010835 / 73010841 / 73010847
73010853 / 73010859 / 73010865 / 73010871
73011237 / 73011243 / 73011249 / 73011255
73011261 / 73011267 / 73011273 / 73011279
73011285 / 73011291 / 73011297 / 73011303
73012161 / 73012167 / 73012173
73012185 / 73012191 / 73012197
73012283 / 73012286 / 73012289
73012295 / 73012298 / 73012301
73012319 / 73012322 / 73012325 / 73012328
73012331 / 73012334 / 73012337 / 73012340
73012813 / 73012812
73013296 / 73013295
73013297 / 73013298 / 73013799 / 73013794
73013932 / 73013931

Owners Manual

Structure made in U.S.A.

Printed in U.S.A.

U.S. Pat. appl'd for

