

Features

- Vitreous china
- Under-mount
- Includes 1193643 clamp assembly
- 17" (432 mm) x 14" (356 mm)

UNDER-MOUNT BATHROOM SINK K-14280

ADA

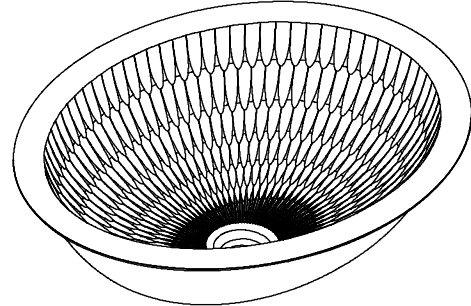
CSA B651

OBC

Codes/Standards Applicable

Specified model meets or exceeds the following:

- CSA B651
- OBC
- ASME A112.19.2/CSA B45.1
- ADA
- ICC/ANSI A117.1



Colors/Finishes

- 0: White
- Other: Refer to Price Book for additional colors/finishes

Accessories

- CP: Polished Chrome
- Other: Refer to Price Book for additional colors/finishes

Specified Model

Model	Description	Colors/Finishes	
K-14280-C5	Under-mount bathroom sink	<input type="checkbox"/> 0	<input type="checkbox"/> Other_____
K-14280-C6	Under-mount bathroom sink with underside glazed	<input type="checkbox"/> 0	<input type="checkbox"/> Other_____

Recommended Accessories			
K-9018	P-Trap	<input type="checkbox"/> CP	<input type="checkbox"/> Other_____

Product Specification

The under-mount bathroom sink shall be made of vitreous china. Bathroom sink shall be 17" (432 mm) in length and 14" (356 mm) in width. Bathroom sink shall include 1193643 clamp assembly. Bathroom sink shall be Kohler Model K-14280-_____-_____.

RICOCHET®

Technical Information

Fixture*:	
Basin area	17" (432 mm) x 14" (356 mm)
Water depth	5-1/4" (133 mm)
Drain hole	1-3/4" (44 mm)
* Approximate measurements for comparison only.	
Included components:	
Basin clamp assembly	1193643
Cutout template	1002975-7

Installation Notes

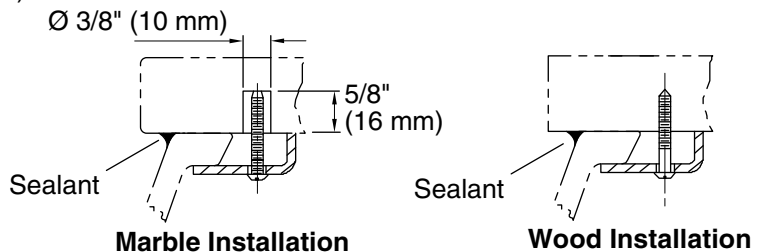
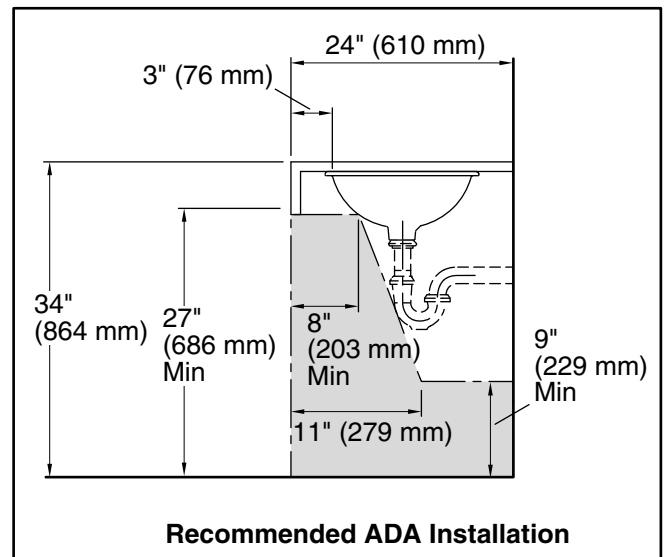
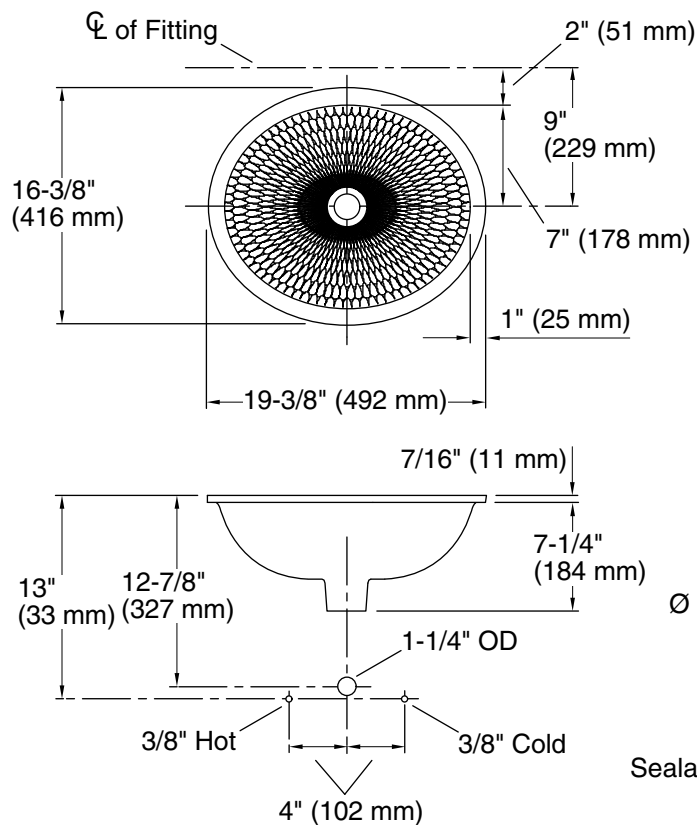
Install this product according to the installation guide.

NOTICE: Countertop manufacturer or cutter must use the current product template available at www.kohler.com, or by calling 1-800-4KOHLER. Kohler Co. is not responsible for cutout errors when the incorrect cutout template is used.

Will comply with **ADA** when installed per section 606 Lavatories and Sinks of the 2010 ADA Standards for Accessible Design.

Will comply with **CSA B651** when installed per Clause 4.3.3 of the standard.

Will comply with **OBC** when installed per Clause 3.8.3.11.



Product Diagram