



**TOMMY
DOCKS®**

Tommy Docks

4003 Dixie Ave, Wausau, WI 54401

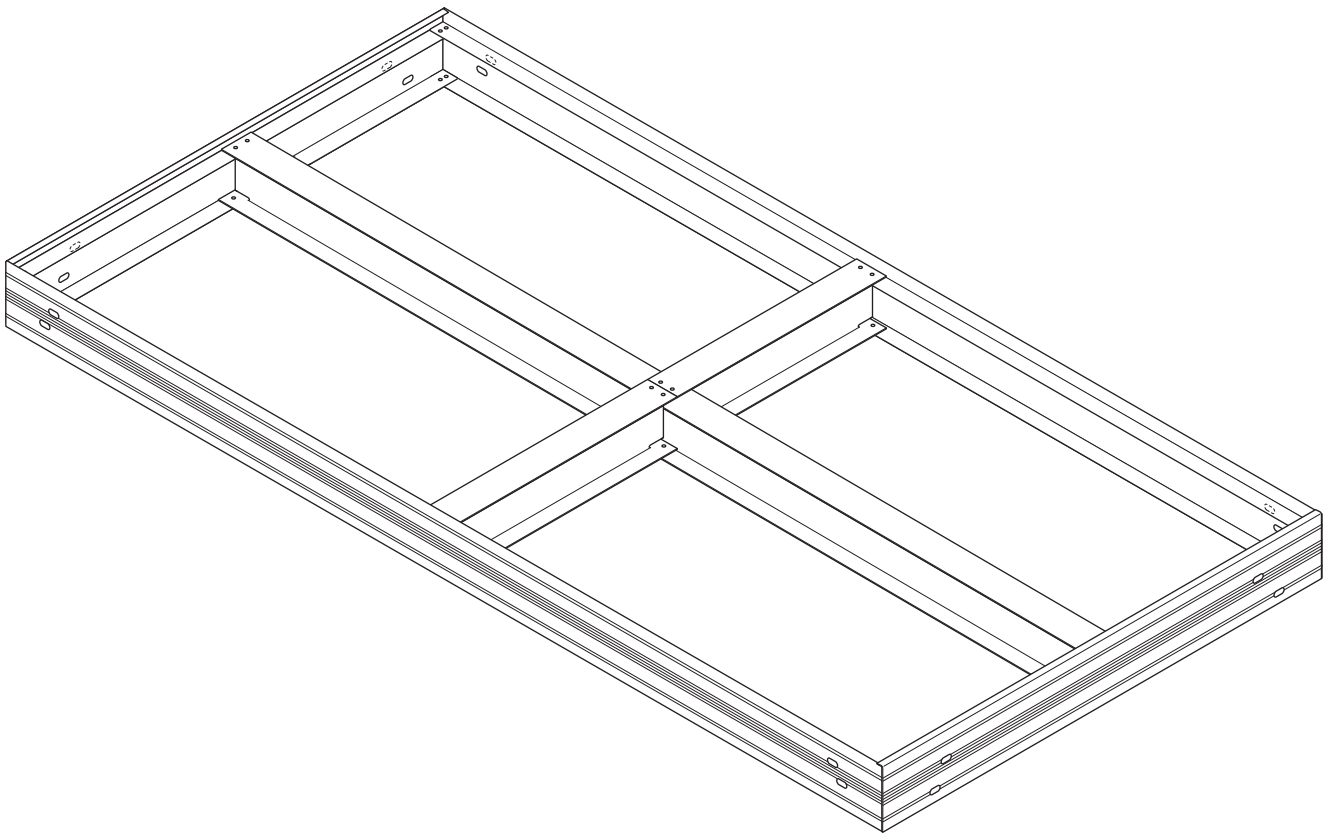
Phone : 715-842-3804

Toll Free : 866-675-1880

Fax : 715-842-3420

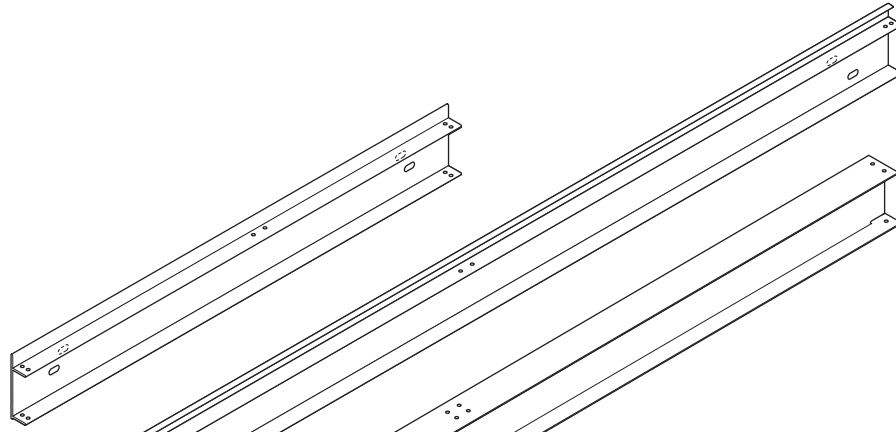
Aluminum Dock Frame

Assembly Instructions

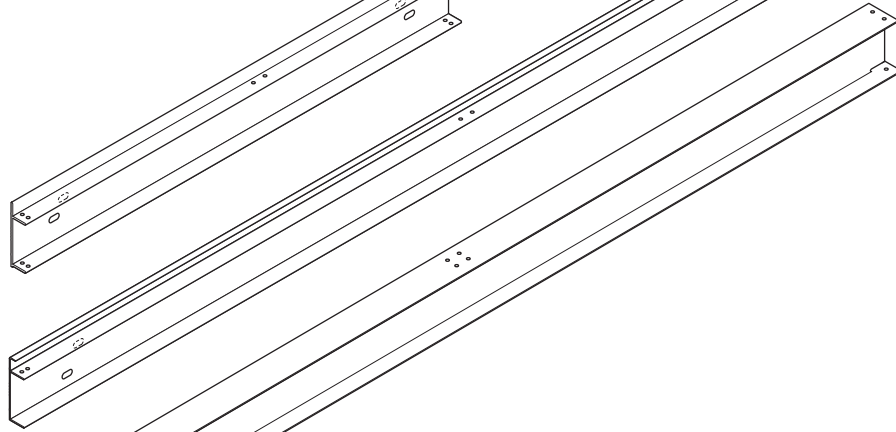


Aluminum Dock Kit Components

48" End Rail
Qty 2



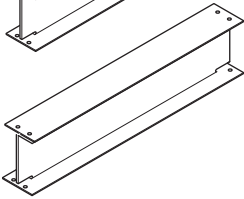
Side Rail
(96" or 120")
Qty 2



Center I-Beam
(96" or 120")
Qty 1



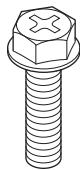
23 7/8" Intermediate
Crossmember
Qty 2



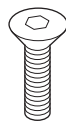
Hardware



Self Tapping Screw
Qty 2



Stainless Steel
Hex Head Bolt
Qty 20

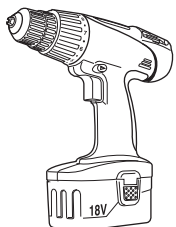


Stainless Steel
Tapered Head Screw
Qty 20

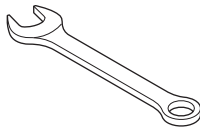


Stainless Steel
Nylon Locknut
Qty 40

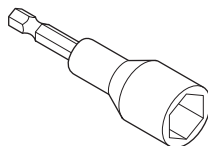
Tools



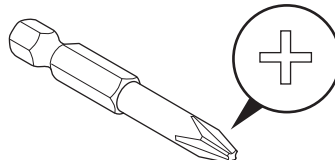
Power Drill



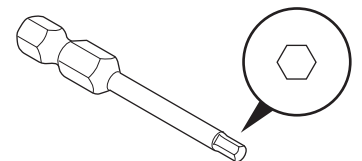
3/8" Box
End Wrench



5/16" Driver Bit

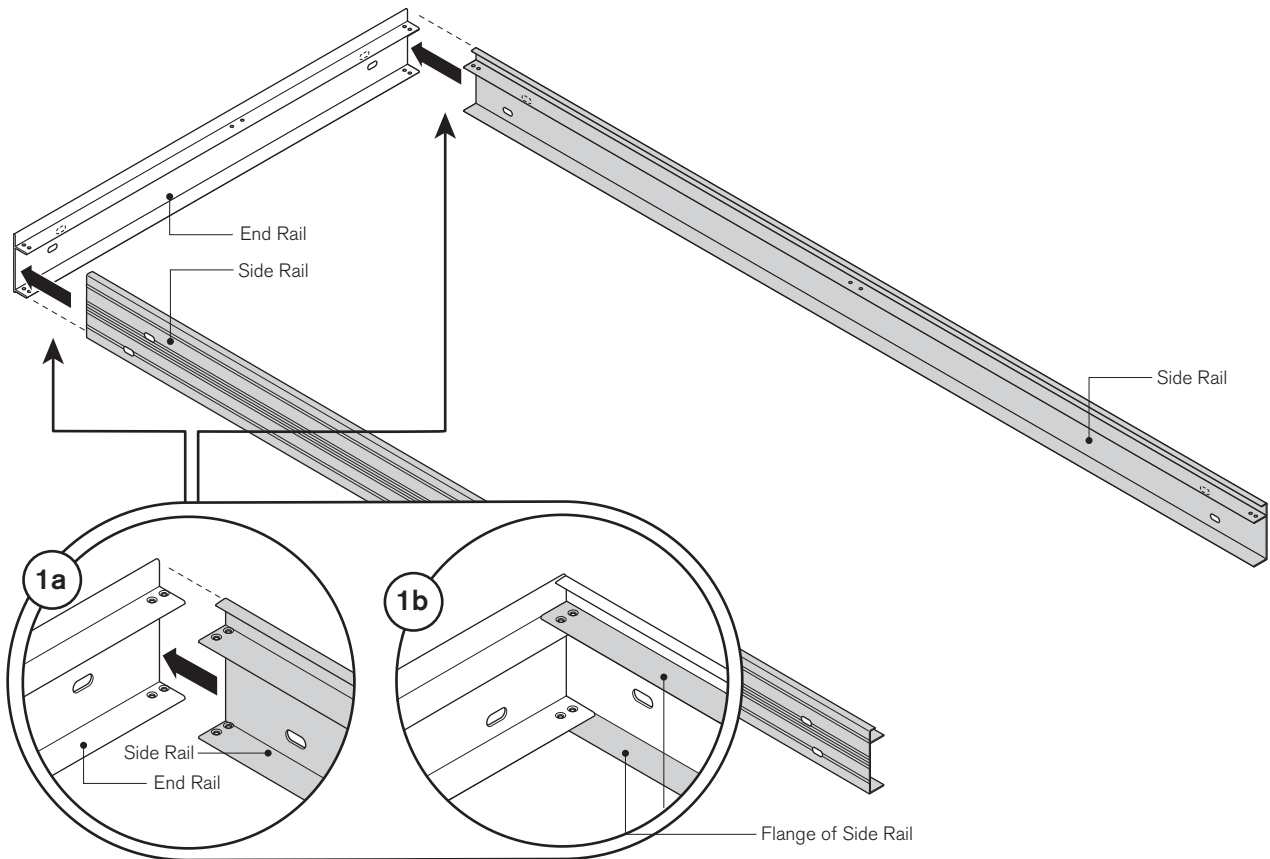


#2 Phillips Bit

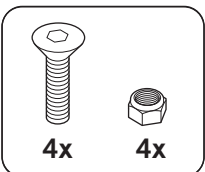
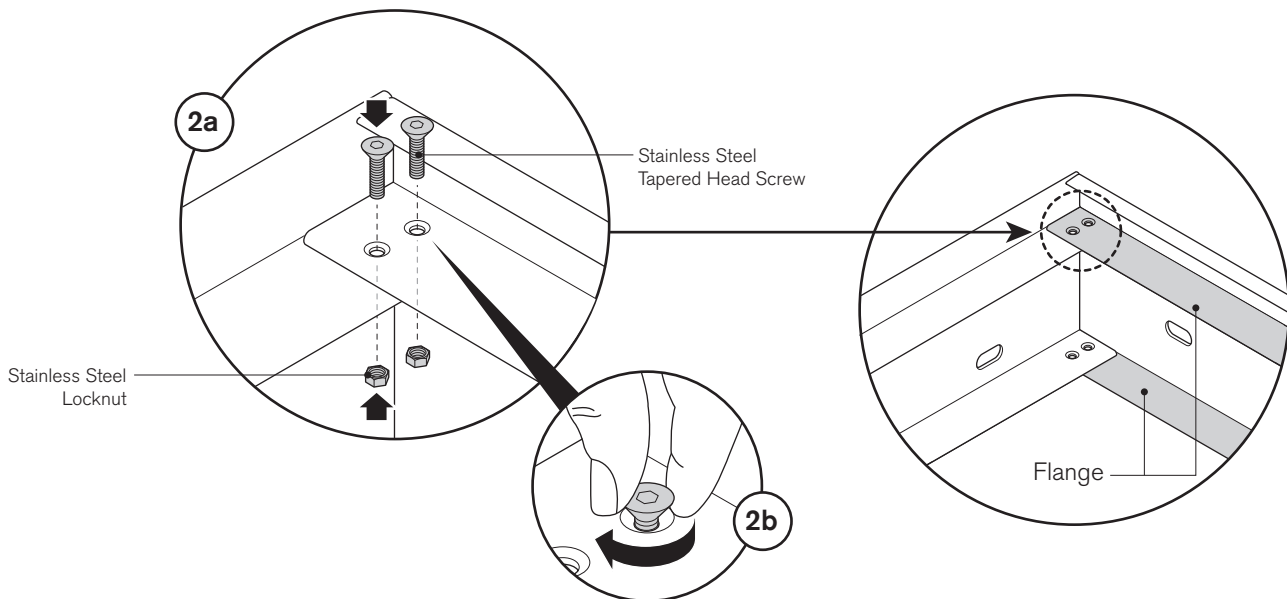


Hex Bit

- 1** Start by sliding the two (2) Side Rails into the End Rail (1 a). The End Rail fits in between the flanges on the Side Rail (1 b).

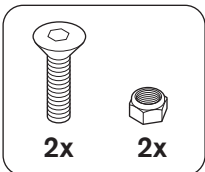
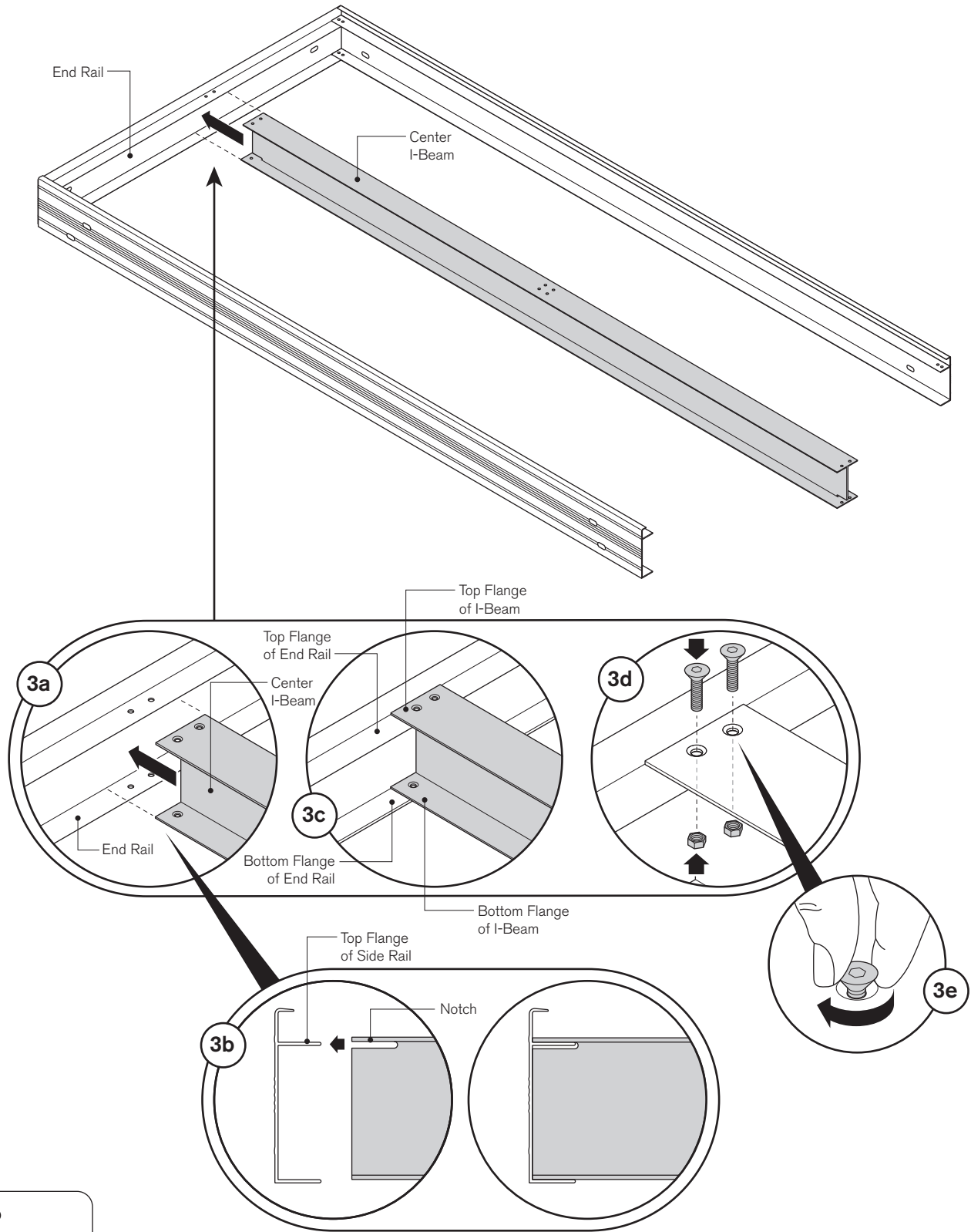


- 2** Insert the Tapered Head Stainless Steel Screws at the corner (2 screws per corner) (2a). Hand tighten the Stainless Steel Locknuts to all (4) corner screws at the top side of the frame (2b).



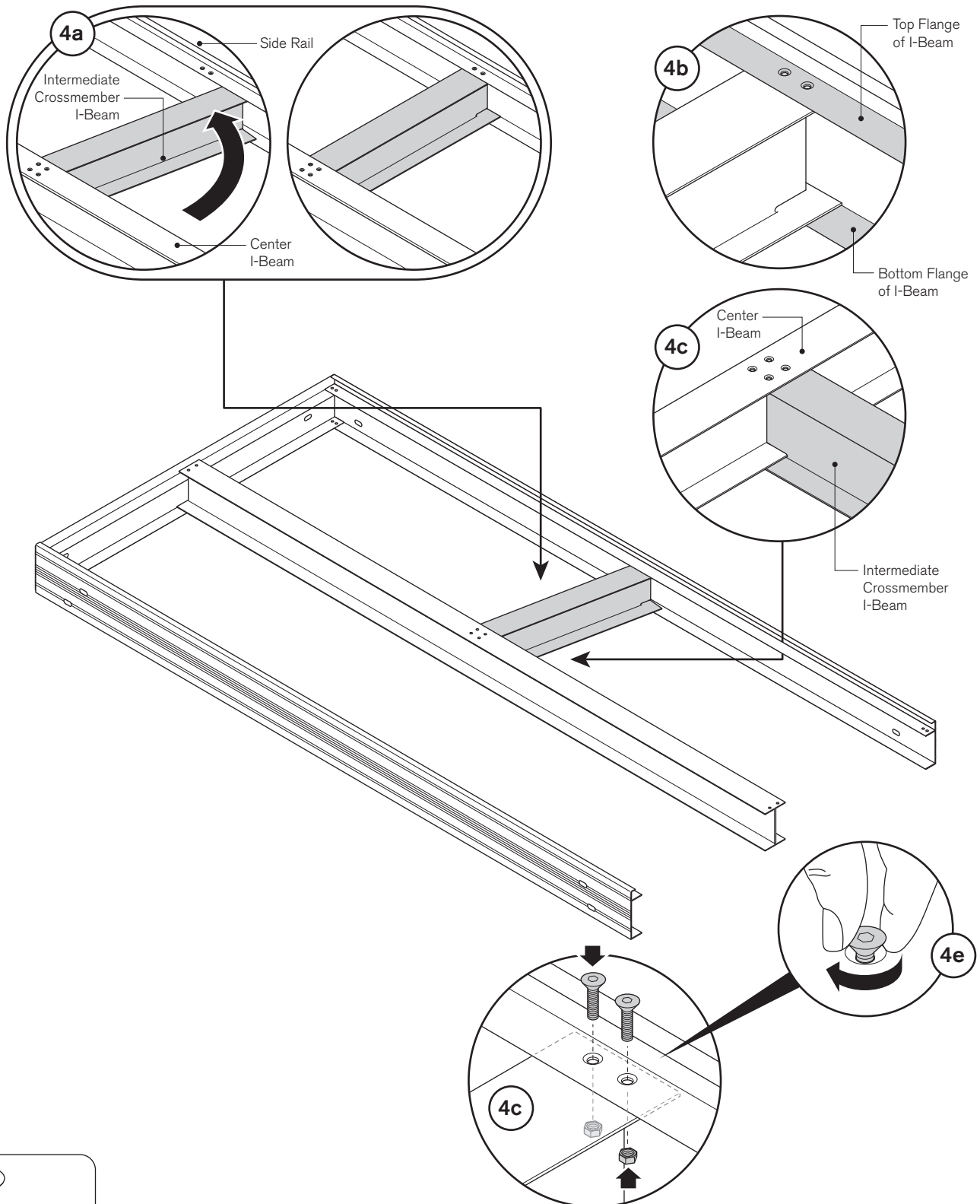
3

Insert the center I-Beam into the End Rail as shown (3a). Make sure notch in I-Beam engages Top Flange of Side Rail (3b). The top flange of the I-Beam goes on top of the End Rail Flange and the Bottom Flange of the I-Beam sits on top of the Bottom Flange of Side Rail (3c). Insert the screws and locknuts (3d) and hand tighten (3e).



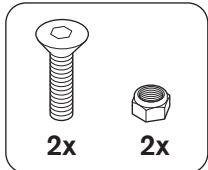
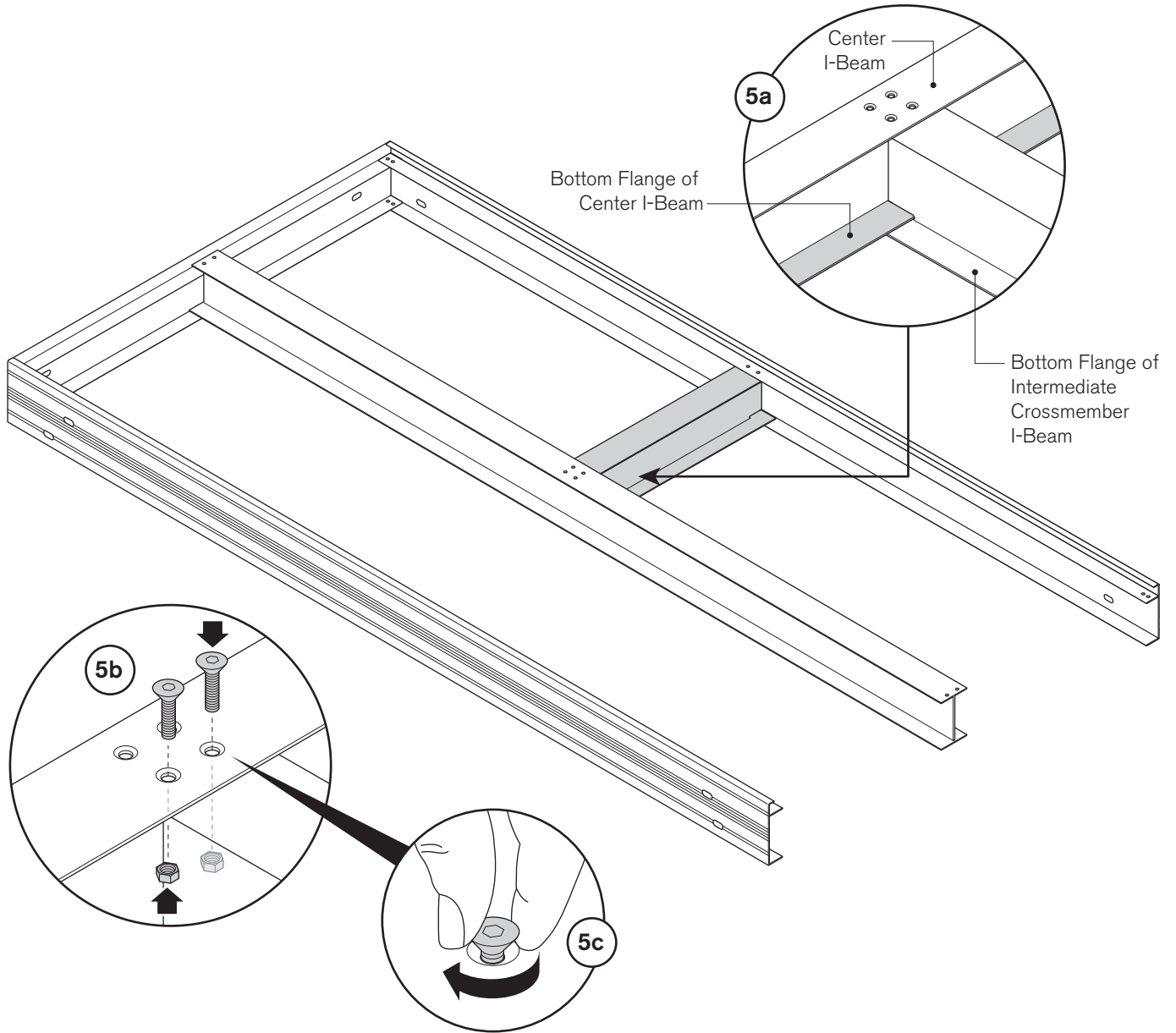
4

Install one Intermediate Crossmember I-Beam into the Side Rail (4a). Notice that the Intermediate Crossmember fits in between the flanges on the Side Rails (4b) but not where it attaches to the center I-Beam (4c). Attach with the screws and locknuts (4d) and hand tighten (4e).



5

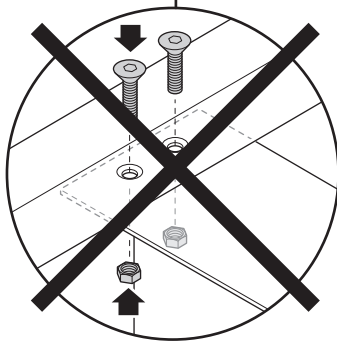
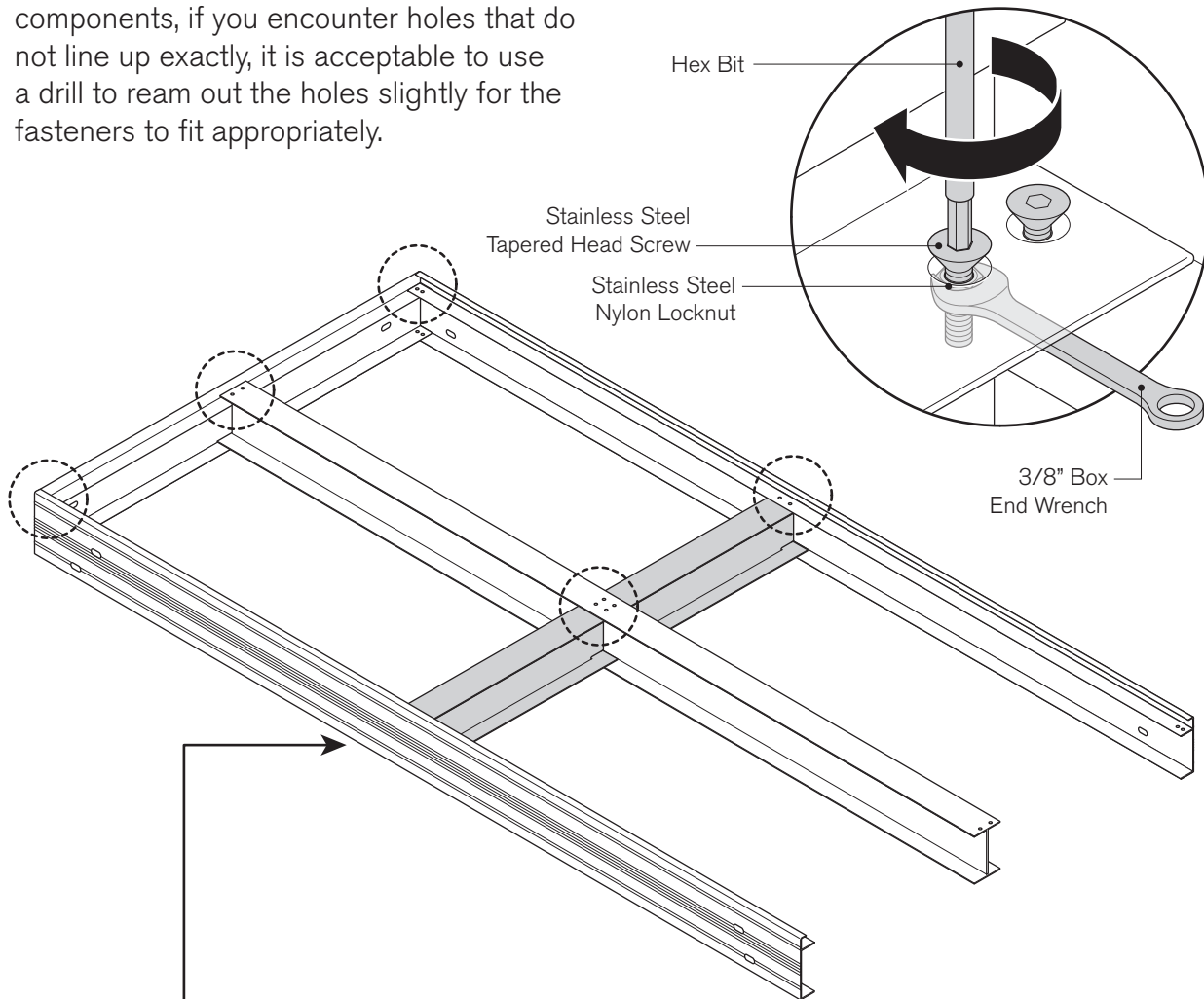
Notice that the bottom flange of the Intermediate Crossmember I-Beam fits underneath the bottom flange of the center I-Beam (5a). Insert the screws and lock nuts (5b) and hand tighten (5c). Attach the second Crossmember in the same manner as the first, but do not install the screws into this side rail yet.



6

You now have all the frame components attached to the frame except the last End Rail. Make sure all of the connections are fitted tightly and tighten all of the screws you have installed so far on the top side of the frame. Use the Hex Bit to fully tighten the Stainless Steel Tapered Head Screw while holding in place the Stainless Steel Nylon Locknut with a 3/8" Box End Wrench.

NOTE: When assembling the frame components, if you encounter holes that do not line up exactly, it is acceptable to use a drill to ream out the holes slightly for the fasteners to fit appropriately.

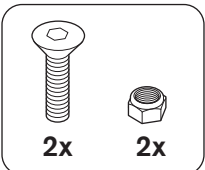
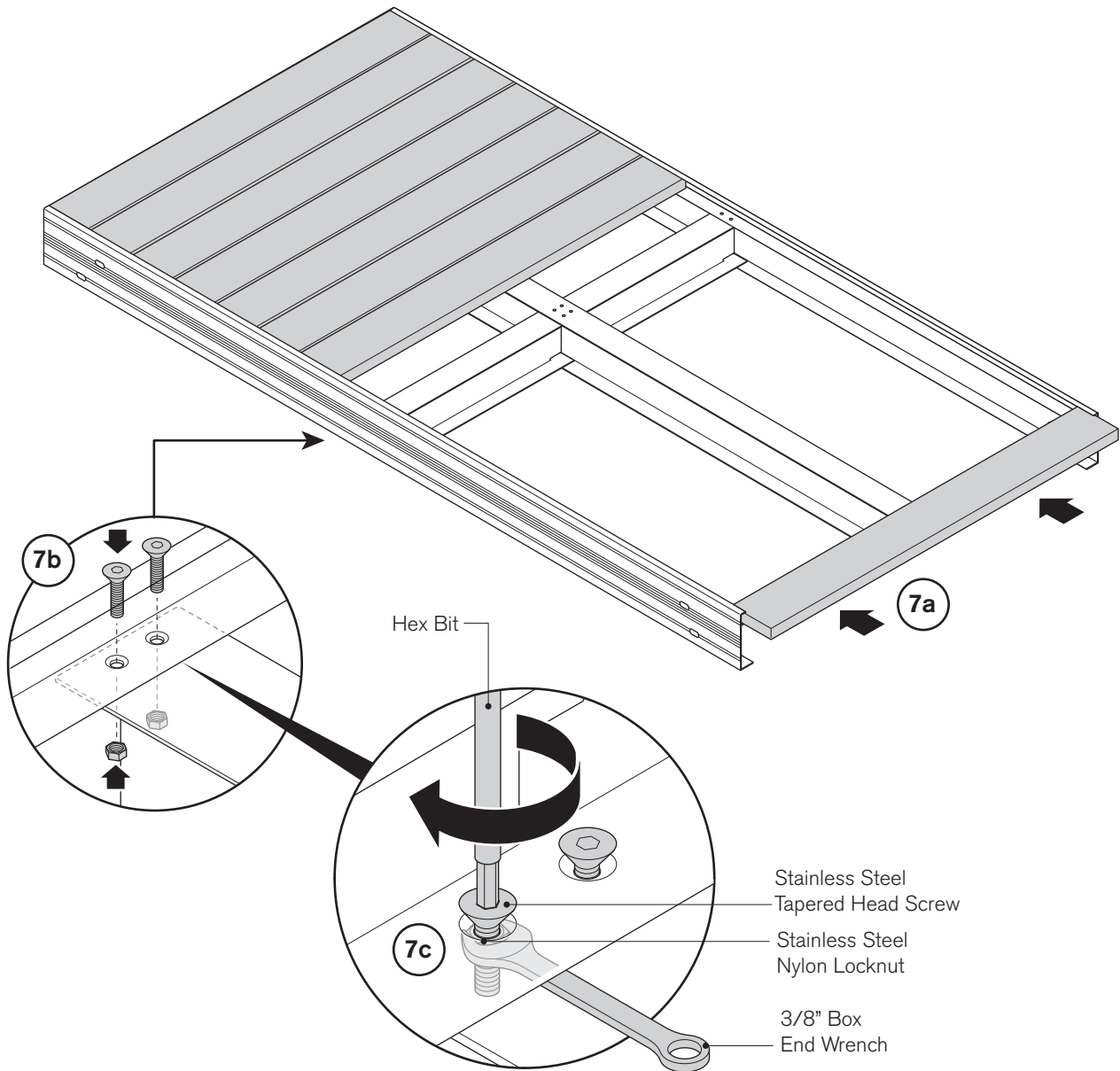


This illustration shows the remaining connection of the Crossmember into the Side Rail that remains unattached. The purpose for this is to allow room to slide individual boards into place in the forward section of the frame. (If you are planning on making removable drop in deck panels for the frame you can disregard this step and install the screws and tighten this connection to the Side Rail.)

7

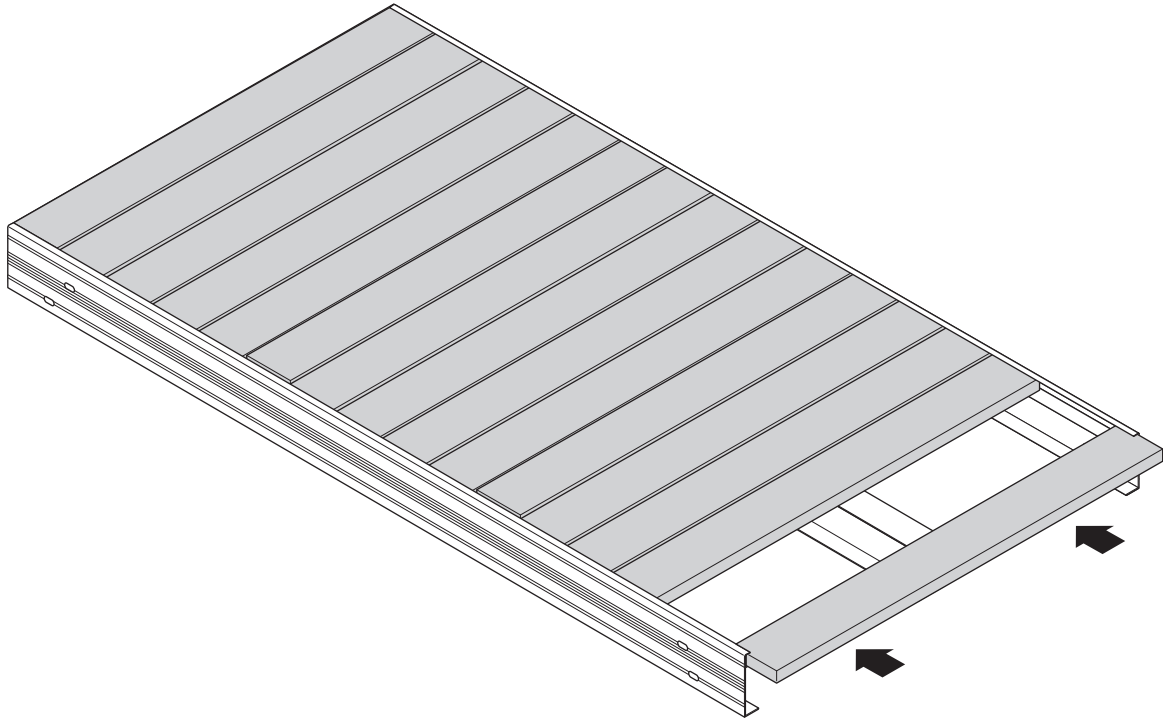
This illustration shows the installation of individual deck boards into the first half of the frame (7a). (Disregard this step and the next step if you will be making removable deck panels.) Once you are at the halfway point, install and tighten the screws and locknuts that attach the remaining Intermediate Crossmember (7b). Use the Hex Bit to fully tighten the Stainless Steel Tapered Head Screw while holding in place the Stainless Steel Nylon Locknut with a 3/8" Box End Wrench.

NOTE: When assembling the frame components, if you encounter holes that do not line up exactly, it is acceptable to use a drill to ream out the holes slightly for the fasteners to fit appropriately.

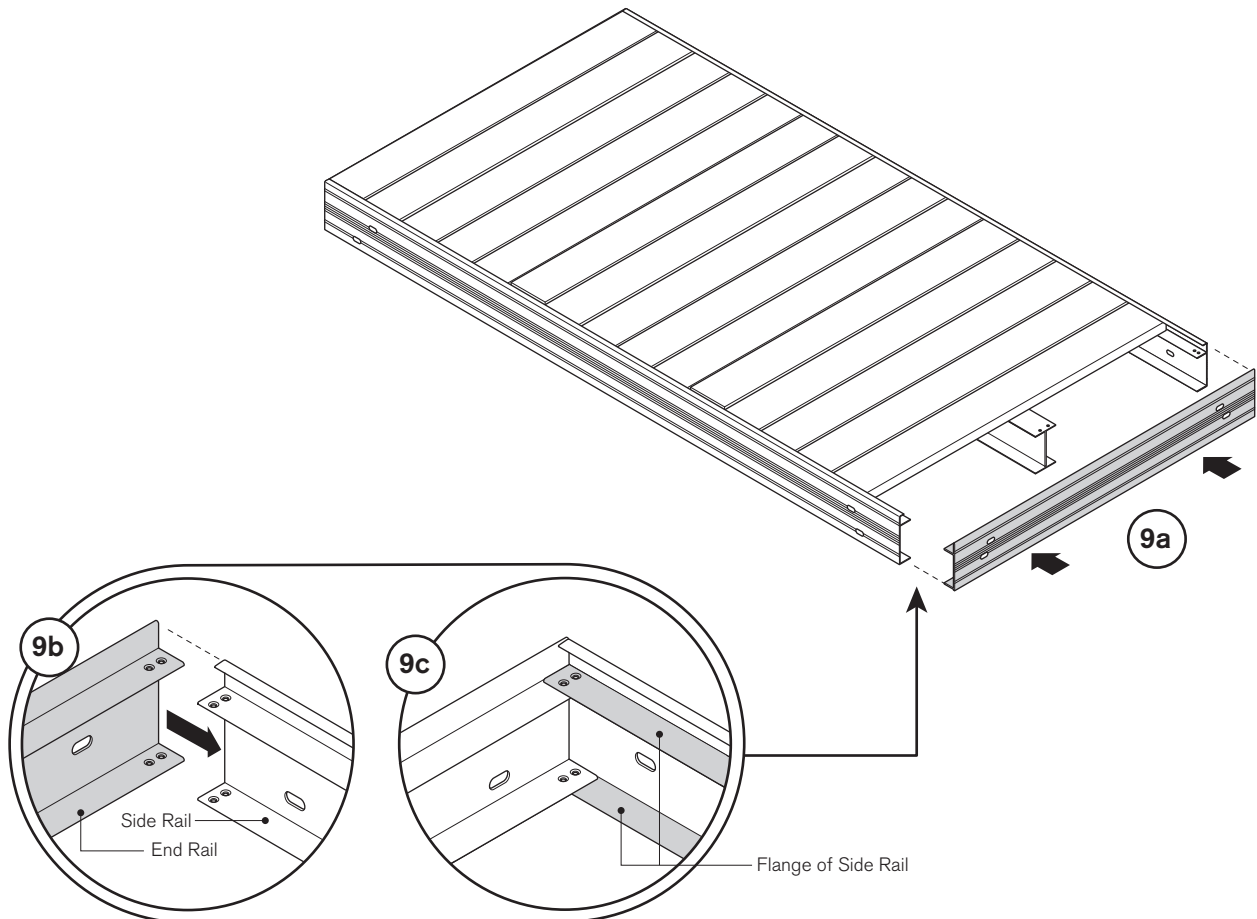


8

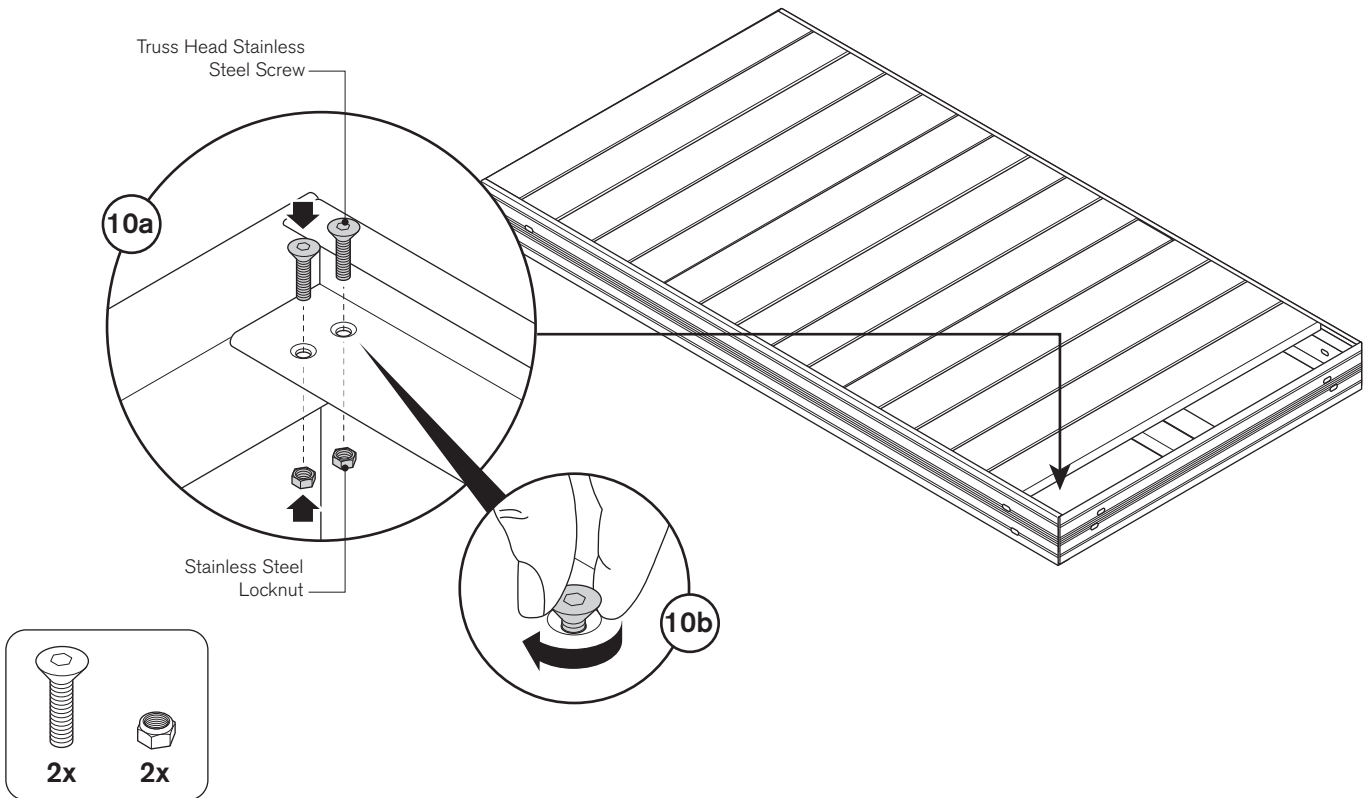
Install the remaining deck boards into the frame.

**9**

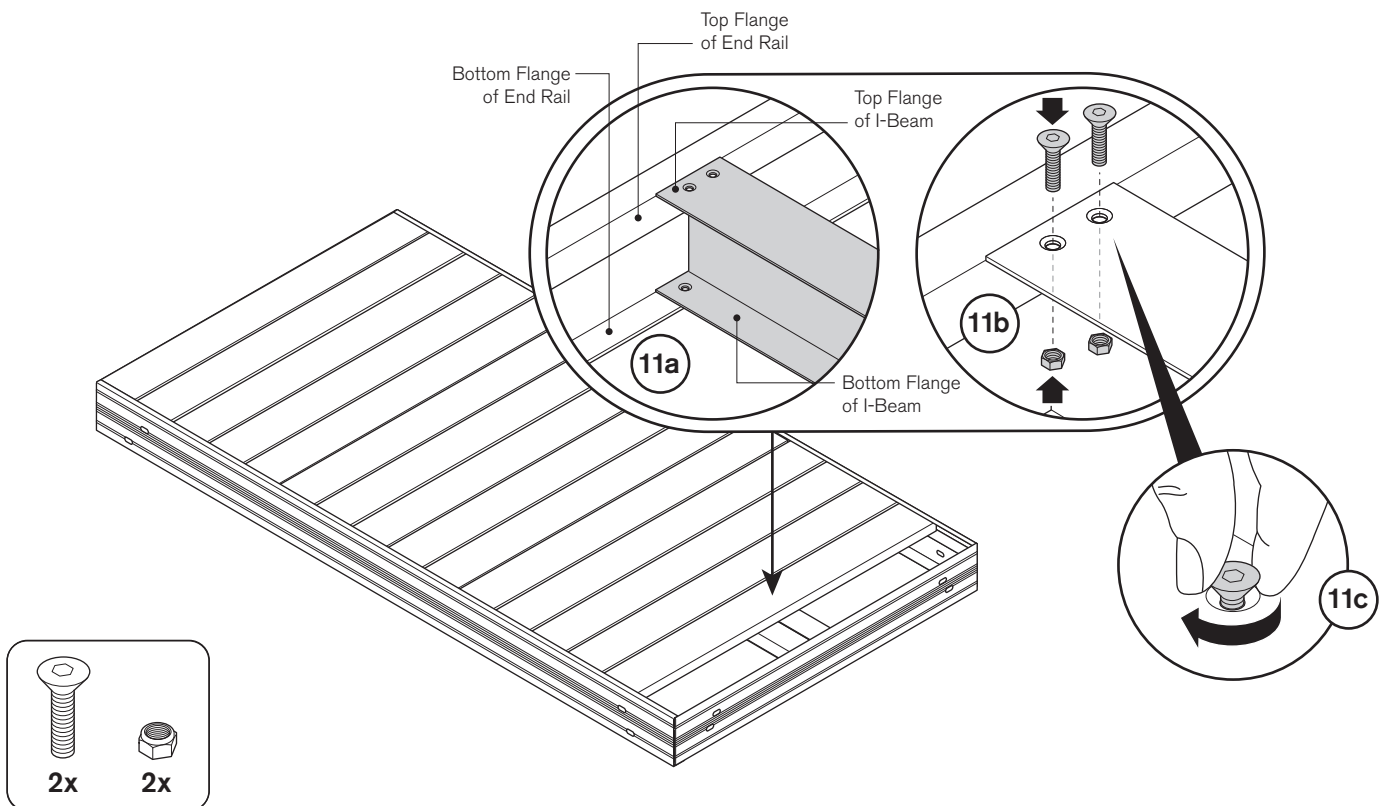
Fit one end of the remaining End Rail into the Side Rail (9a). The End Rail fits in between the flanges on the Side Rail (9b).



10 Insert two (2) Truss Head Stainless Steel Screws at the corner (10a) and hand tighten (10b).

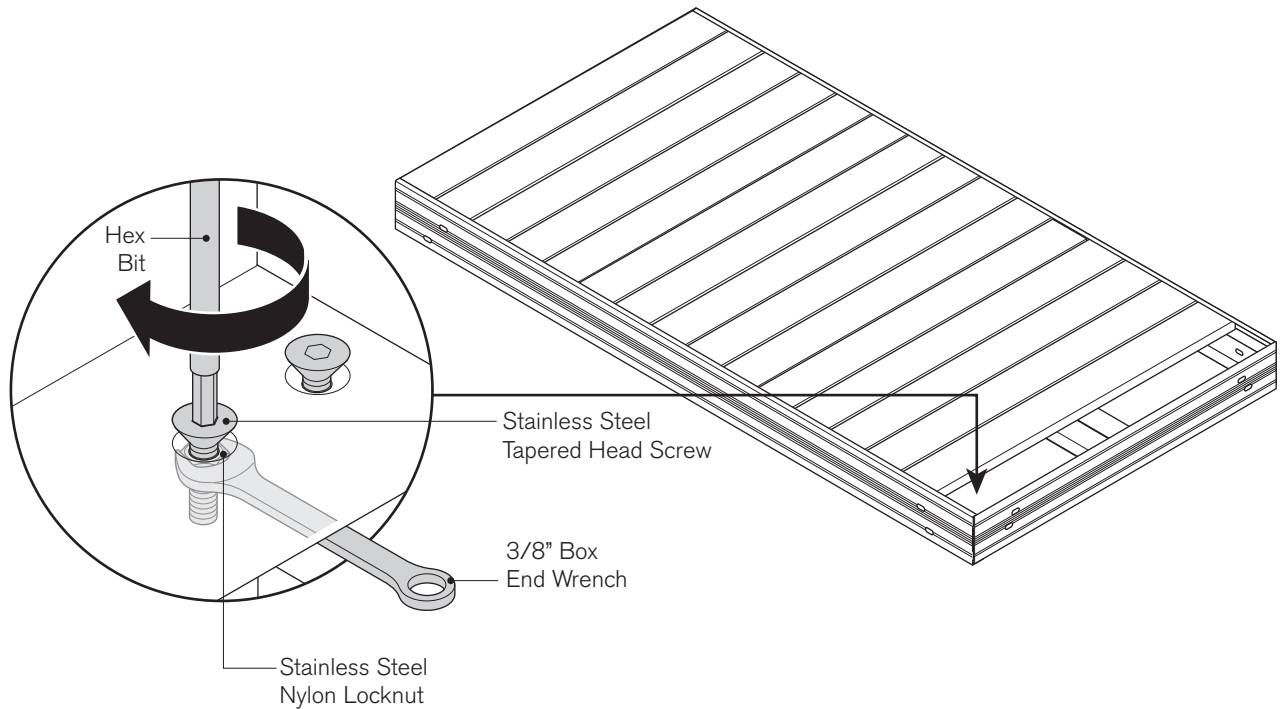


11 Make sure the top flange of the I-Beam goes on top of the End Rail and the bottom flange of the I-Beam sits on top of the bottom flange of End Rail (11a). Insert the screws and locknuts (11b) and hand tighten (11c).



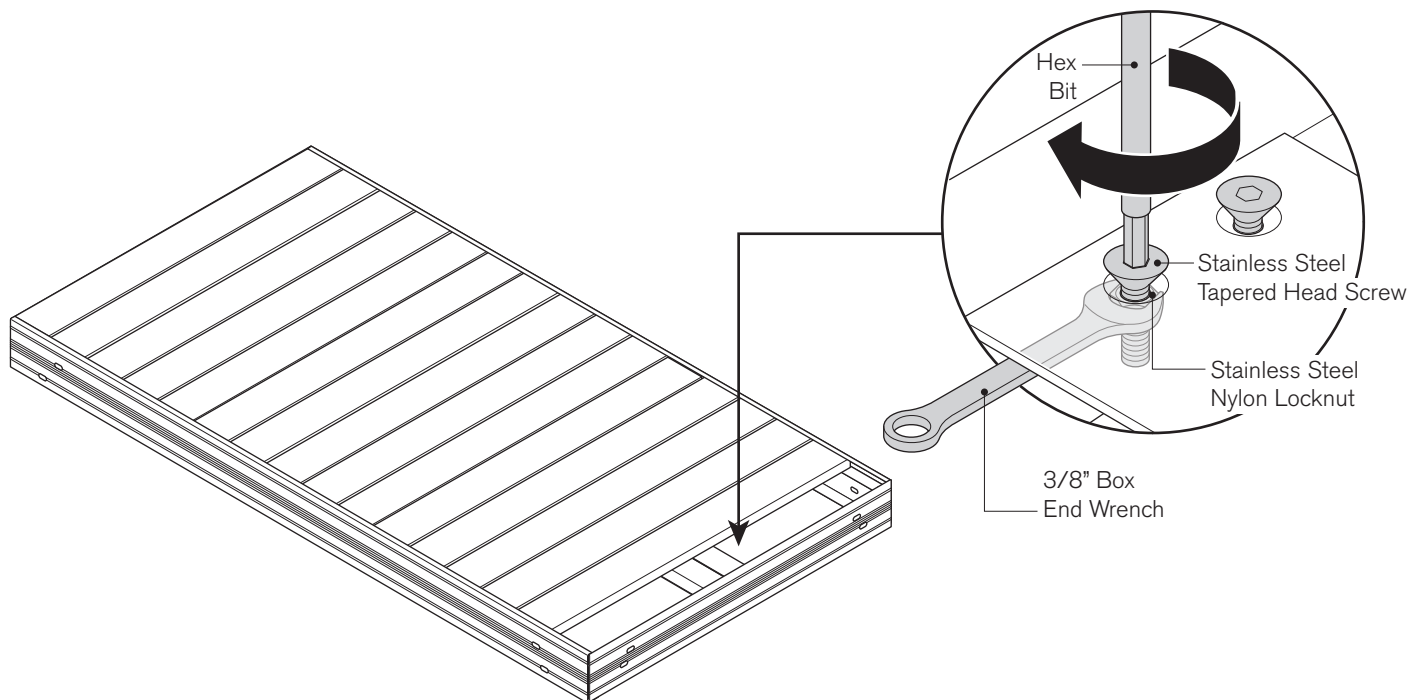
12 Use the Hex Bit to fully tighten the Stainless Steel Tapered Head Screw while holding in place the Stainless Steel Nylon Locknut with a 3/8" Box End Wrench.

NOTE: When assembling the frame components, if you encounter holes that do not line up exactly, it is acceptable to use a drill to ream out the holes slightly for the fasteners to fit appropriately.

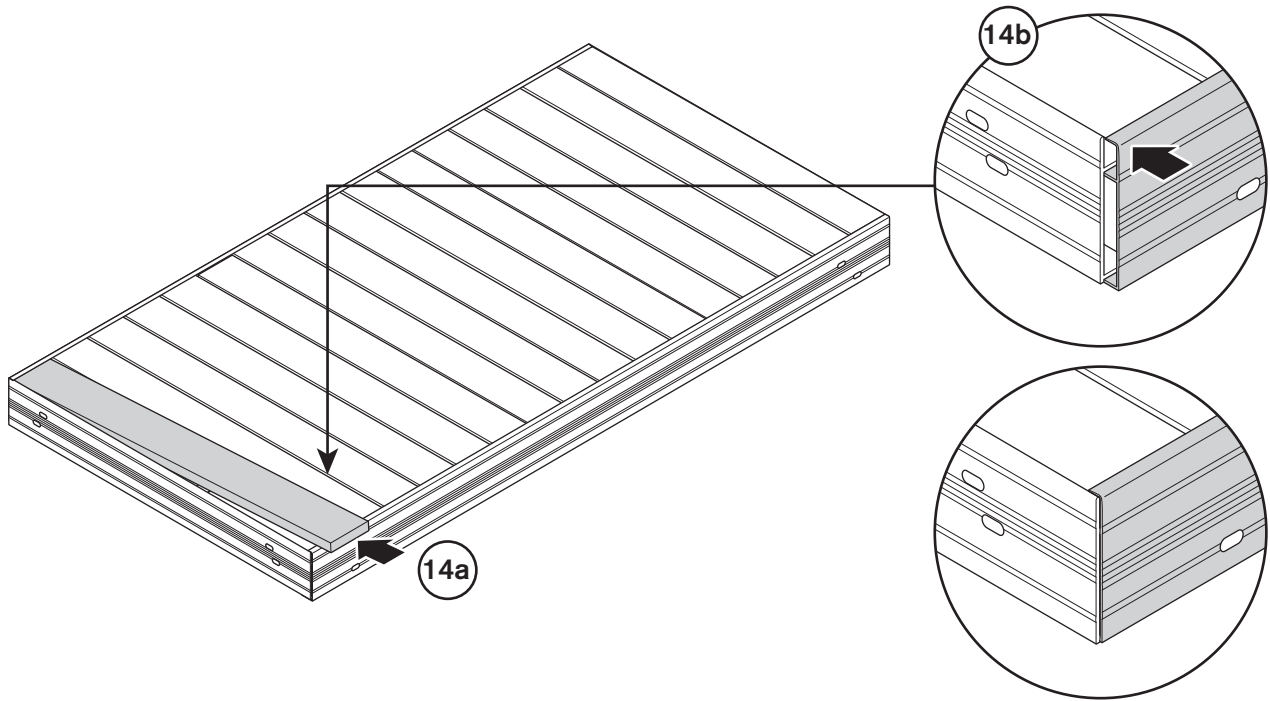


13 Use the Hex Bit to fully tighten the Stainless Steel Tapered Head Screw while holding in place the Stainless Steel Nylon Locknut with a 3/8" Box End Wrench.

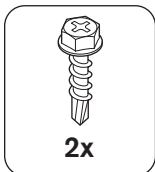
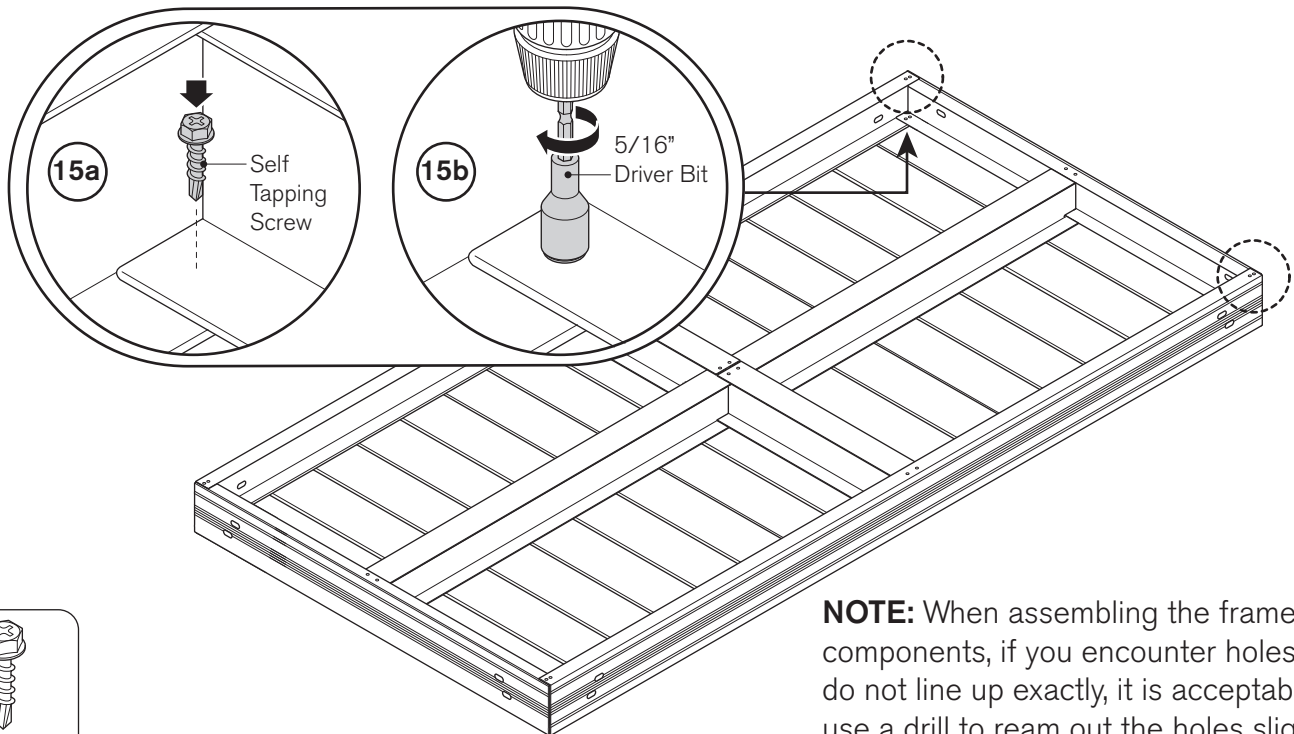
NOTE: When assembling the frame components, if you encounter holes that do not line up exactly, it is acceptable to use a drill to ream out the holes slightly for the fasteners to fit appropriately.



- 14** Slide the last board into the frame and you will be able to flex the remaining corner connection to snap in the last deck board (14a). You may now push the remaining corner together (14b).



- 15** The final top of the frame corner connection is made by installing the (2) Self Tapping Screws provided (15a). Fit corner together tightly and tighten using 5/16" Driver Bit (15b).



NOTE: When assembling the frame components, if you encounter holes that do not line up exactly, it is acceptable to use a drill to ream out the holes slightly for the fasteners to fit appropriately.

16 Flip the frame over to install the remainder of the fasteners into the frame. Where indicated install Stainless Steel Hex Head Bolt and Stainless Steel Nylon Locknut (16a). Use the 5/16" Driver Bit to fully tighten the Stainless Steel Hex Head Bolt while holding in place the Stainless Steel Nylon Locknut with a 3/8" Box End Wrench (16b).

NOTE: When assembling the frame components, if you encounter holes that do not line up exactly, it is acceptable to use a drill to ream out the holes slightly for the fasteners to fit appropriately.

