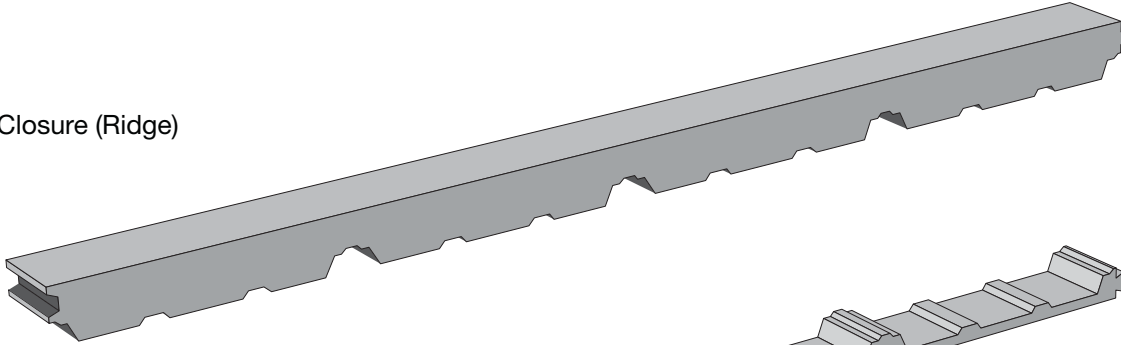
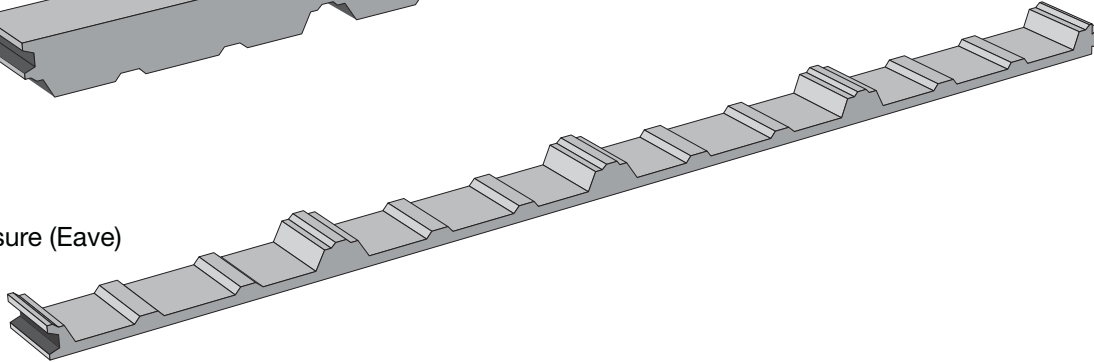


SM-RIB CLOSURE STRIPS

Outside Closure (Ridge)



Inside Closure (Eave)



PHYSICAL PROPERTIES		TEST METHOD	UNITS	VALUE
Density - Nominal		ASTM D3575 - Suffix W	lb/ft ²	1.8
Tensile Strength - M.D.		ASTM D3575 - Suffix T	PSI	39.5
Tensile Strength - T.D.		ASTM D3575 - Suffix G	PSI	35.1
Tear Strength - M.D.		ASTM D3575 - Suffix T	lb/ft ²	11.1
Tear Strength - M.D.		ASTM D3575 - Suffix G	lb/ft ²	11.4
Elongation at Break - M.D.		ASTM D3575 - Suffix T	%	155
Elongation at Break - T.D.		ASTM D3575 - Suffix T	%	165
Shore Hardness		ASTM D2440	00	51
Compression Deflection - 25%		ASTM D3575 - Suffix D	PSI	5.4
Compression Deflection - 50%		ASTM D3575 - Suffix D	PSI	13.6
Compression Set	25% ·1/2 hr.	ASTM D3575 - Suffix B	%	14
	25% ·24 hrs.	ASTM D3575 - Suffix B	%	8
	50% ·1/2 hr.	ASTM D3575 - Suffix B	%	35
	50% ·24 hr.	ASTM D3575 - Suffix B	%	26
Working Temperature Range		Internal	°F	-76 / 194
Water Absorption, 7 days		Internal	% Vol	1
Thermal Conductivity, 50° F		ASTM C177	BTU ¹	0.271
Thermal Conductivity, 104° F		ASTM C177	BTU ¹	0.303
Flammability >1/4 in.		FMVSS302	4 in./min.	PASS
Thermal Stability, 24 hrs., 158°F		ASTM D3575 - Suffix - B	%	2

Fuzion 1.8 lb/ft³ STD · 29 kg/m³

Fuzion is a closed cell chemically crosslinked polyethylene foam in roll form. Data represents typical values and should be considered as a guideline only. The information above on FUZION chemically crosslinked polyethylene foam is presented to the best of our knowledge.

MSDS sheets available upon request.

1. in./hr./ft² °F