



ENGLISH

ESPAÑOL

OWNER'S MANUAL

AIR CONDITIONER

**Read this owner's manual thoroughly before operating the appliance
and keep it handy for reference at all times.**

TYPE: WINDOW

LW1019IVSM



MFL71143102
Rev.00_021419



www.lg.com

Copyright © 2019 LG Electronics Inc. All Rights Reserved.

TABLE OF CONTENTS

3 SAFETY INSTRUCTIONS

- 3 IMPORTANT SAFETY INSTRUCTIONS

8 PRODUCT OVERVIEW

- 8 Exterior Parts
- 8 Interior Parts

9 INSTALLATION

- 9 Electrical Data
- 10 Installation Overview
- 11 How to Install the Unit
- 11 Window Requirements
- 11 Clearance
- 11 Preparation of Unit
- 12 Unit Installation

14 OPERATION

- 14 Control Panel and Remote Control
- 15 Wireless Remote Control
- 16 Ventilation
- 16 Air Direction
- 16 Additional Features

17 SMART FUNCTIONS

- 17 Using LG SmartThinQ Application

20 MAINTENANCE

- 20 Air Filter

21 TROUBLESHOOTING

- 21 Before Calling for Service
- 21 Normal Sounds You May Hear


25 WARRANTY

SAFETY INSTRUCTIONS

READ ALL INSTRUCTIONS BEFORE USE

Your safety and the safety of others are very important.

We have provided many important safety messages in this manual and on your appliance. Always read and follow all safety messages.

 This is the safety alert symbol.
This symbol alerts you to potential hazards that can kill or injure you and others.
All safety messages will follow the safety alert symbol and either the word **WARNING** or **CAUTION**.

These words mean:

WARNING

You may be killed or seriously injured if you do not follow instructions.

CAUTION

You may be injured or cause damage to the product if you do not follow instructions.

All safety messages will tell you what the potential hazard is, tell you how to reduce the chance of injury, and tell you what may happen if the instructions are not followed.

IMPORTANT SAFETY INSTRUCTIONS

WARNING

To reduce the risk of explosion, fire, death, electric shock, scalding or injury to persons when using this product, follow basic precautions, including the following:

INSTALLATION

- Before use, the appliance must be properly installed as described in this manual.
- Contact the authorized service technician for repair or maintenance of this unit.
- Contact the installer for installation of this unit.
- The air conditioner is not intended for use by young children or invalids without supervision.
- Young children should be supervised to ensure that they do not play with the air conditioner.

- When the power cord is to be replaced, replacement work shall be performed by authorized personnel only using only genuine replacement parts.
- Installation work must be performed in accordance with the National Electric Code by qualified and authorized personnel only.
- Connect to a properly rated, protected, and sized power circuit to avoid electrical overload.
- Always plug into a grounded outlet.
- Do not under any circumstances, cut or remove the third (ground) prong from the power cord.
- When installing or moving the appliance, be careful not to pinch, crush, or damage the power cord.
- Plug in the power plug properly.
- Do not modify or extend the power cord.
- Do not start/stop operation by plugging/unplugging the power cord.
- Do not turn on the circuit breaker or power under condition that front grille, cabinet, control box are removed or opened. Otherwise, it may cause fire, electric shock, explosion or death.
- If the cord/plug is damaged, have it replaced by an authorized service person using authorized replacement parts.
- Use a dedicated circuit.
- Do not disassemble or modify the product.
- Adhere to all industry recommended safety procedures including the use of long-sleeved gloves and safety glasses.
- Use care when unpacking and installing. The edges of the product may be sharp.
- Disconnect the power cord or circuit breaker before installing or servicing the appliance.
- Keep packaging materials out of the reach of children. These materials can pose a suffocation risk to children.
- Store and install the product where it will not be exposed to temperatures below freezing or exposed to outdoor weather conditions.
- Do not store or use gasoline or other flammable vapors and liquids in the vicinity of this or any other appliance.

OPERATION

- Use this appliance only for its intended purpose.
- Never attempt to operate this appliance if it is damaged, malfunctioning, partially disassembled, or has missing or broken parts, including a damaged cord or plug.
- Repair or immediately replace all power cords that have become frayed or otherwise damaged. Do not use a cord that shows cracks or abrasion damage along its length or at either end.
- Do not run cord under carpets or mats where it could be stepped on and damaged.
- Keep the cord out from under heavy objects like tables or chairs.
- Do not place the power cord near a heat source.
- Do not use an adaptor or plug the product into a shared outlet.
- Do not tamper with controls.
- If you detect a strange sound, a chemical or burning smell, or smoke coming from the appliance, unplug it immediately, and contact an LG Electronics Customer Information Center.
- Never unplug the appliance by pulling on the power cord. Always grip the plug firmly and pull straight out from the outlet.
- Do not grasp the power cord or touch the appliance controls with wet hands.

- If water enters the product, turn off the power at the main circuit, then unplug the product and call for service.
- If the product has been submerged, contact an LG Electronics Customer Information Center for instructions before resuming use.
- Unplug the product when unused for long periods.
- Unplug the product before cleaning.
- In the event of a gas leak (propane gas, etc.) do not operate this or any other appliance. Open a window or door to ventilate the area immediately.
- This appliance is not intended for use by persons (including children) with reduced physical, sensory or mental capabilities, or lack of experience and knowledge, unless they have been given supervision or instruction concerning the use of the appliance by a person responsible for their safety. Children should be supervised to ensure that they do not play with the appliance.
- The interior of the product must only be cleaned by a LG Electronics Customer Information Center or a dealer.
- Do not use solvent-based detergent on the product. Doing so can cause corrosion or damage, product failure, electrical shock, or fire.

GROUNDING INSTRUCTIONS

- The power cord of this appliance is equipped with a three-prong (grounding) plug. Use this with a standard three-slot (grounding) wall power outlet to minimize the hazard of electric shock. The customer should have the wall receptacle and circuit checked by a qualified electrician to make sure the receptacle is properly grounded. **DO NOT CUT OR REMOVE THE THIRD (GROUND) PRONG FROM THE POWER PLUG.**
 - Situations when the appliance will be disconnected occasionally; Because of potential safety hazards, we strongly discourage the use of an adapter plug. However, if you wish to use an adapter, a TEMPORARY CONNECTION may be made. Use UL-listed adapter, available from most local hardware stores.
The large slot in the adapter must be aligned with the large slot in the receptacle to assure a proper polarity connection.
- Attaching the adapter ground terminal to the wall receptacle cover screw does not ground the appliance unless the cover screw is metal, and not insulated, and the wall receptacle is grounded through the house wiring. The customer should have the circuit checked by a qualified electrician to make sure the receptacle is properly grounded.
- Disconnect the power cord from the adapter, using one hand on each. Otherwise, the adapter ground terminal might break. Do not use the appliance with a broken adapter plug.
 - Situations when the appliance will be disconnected often; Do not use an adapter plug in these situations. Unplugging the power cord frequently can lead to an eventual breakage of the ground terminal. The wall power outlet should be replaced by a three-slot (grounding) outlet instead.

 **CAUTION**

To reduce the risk of minor or moderate injury to persons, malfunction, or damage to the product or property when using this product, follow basic precautions, including the following:

INSTALLATION

- Take care when installing the product that exhaust or condensation does not damage nearby property.
- Follow installation instructions exactly to avoid excessive vibration or water leakage.

OPERATION

- This appliance is not intended for use as a precision refrigeration system. Do not use it for special purposes such as maintaining pets, food, precision machinery, or art objects.
- When installing or moving the appliance, be careful not to pinch, crush, or damage the power cord.
- Make sure the air inlet and outlet are free from obstructions.
- Use a soft cloth to clean the appliance. Do not use waxes, thinners, or harsh detergents.
- Do not step on or place heavy objects on top of the appliance.
- Do not operate the appliance without the filter securely installed.
- Do not drink water drained from the appliance.
- Be sure to ventilate sufficiently when the air conditioner and a heating appliance such as a heater are used simultaneously.
- Do not expose people, animals, or plants to the cold or hot wind from the air conditioner for extended periods of time.
- Remove the batteries if the remote control is not to be used for an extended period of time.
- Never mix different types of batteries, or old and new batteries for the remote control.
- Stop using the remote control if there is a fluid leak in the battery. If your clothes or skin are exposed to the leaking battery fluid, wash off with clean water.
- If the leaking battery fluid has been swallowed, rinse the inside of the mouth thoroughly and consult a doctor.
- Do not recharge or disassemble the batteries.

MAINTENANCE

- Clean the filter every two weeks.
- Never touch the metal parts of the air conditioner when removing the air filter.
- Never use strong cleaning agents or solvents when cleaning the air conditioner or spray water. Use a smooth cloth.

REFRIGERANT (FOR R32 ONLY)**WARNING**

- Do not use means to accelerate the defrosting process or to clean, other than those recommended by the manufacturer.
- The appliance shall be stored in a room without continuously operating ignition sources (for example: open flames, an operating gas appliance or an operating electric heater).
- Do not pierce or burn. Be aware that flammable refrigerants may not contain an odor.

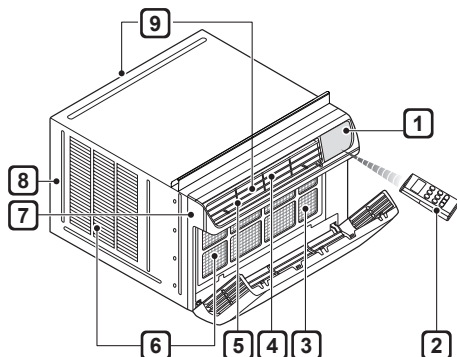
**CAUTION**

- This unit contains flammable refrigerant and has special safety precautions not normally associated with older units. Please follow all precautions and advisories.
 - Use caution while handling and prevent damage to unit. Do not put any holes into product for any reason. This can cause damage to product and prevent unit from cooling.
 - Maintenance and cleaning of unit should be performed by trained personnel. Failure to properly clean unit can result in damage to the refrigeration system and or the electrical system.
 - Make certain that all the air circulation/ventilation openings are free from obstruction.
 - Service should only be performed by technicians properly trained and certified in the use of flammable refrigerants. Any service performed by unauthorized servicers/individuals will void all warranties.
 - When storing the appliance, do not put in a room with any open flame appliances, such as gas water heaters or furnaces. Also keep away from electric heaters. Damaged units should be repaired before storage.

SAVE THESE INSTRUCTIONS

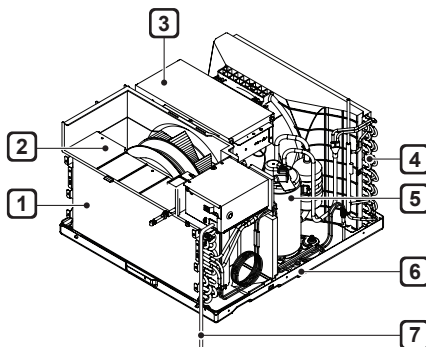
PRODUCT OVERVIEW

Exterior Parts



- 1** Control Panel
- 2** Remote Controller
- 3** Air Filter
- 4** Vertical Air Deflector (Horizontal Louver)
- 5** Horizontal Air Deflector (Vertical Louver)
- 6** Air Inlet
- 7** Front Grille
- 8** Cabinet
- 9** Air Outlet

Interior Parts



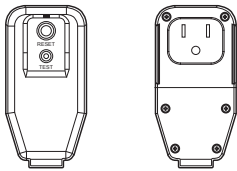
- 1** Evaporator
- 2** Air Guide
- 3** Control Box
- 4** Condenser
- 5** Compressor
- 6** Base Pan
- 7** Power Cord


INSTALLATION

Electrical Data

Power cord may include a current interrupter device. **TEST** and **RESET** buttons are provided on the plug case. The device should be tested on a periodic basis by first pressing the **TEST** button and then the **RESET** button. If the **TEST** button does not trip or if the **RESET** button will not stay engaged, discontinue use of the air conditioner and contact a qualified service technician.

for 120 V



Use Wall Receptacle	Power Supply
 <p>Standard 120 V, 3-wire grounding receptacle rated 15 A / 120 VAC / 60 Hz</p>	<p>Use 15 A, time delay fuse or 15 A, circuit breaker.</p>

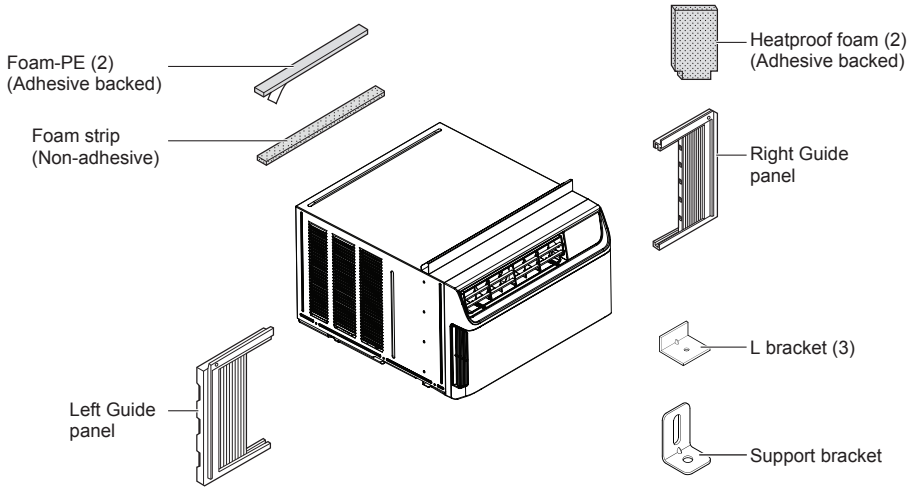
⚠ WARNING

- This appliance should be installed in accordance with the National Electrical Code.
- Use of extension cords could cause serious injury or death.
 - Do not use an extension cord with this window air conditioner.
 - Do not use surge protectors or multi-outlet adapters with this window air conditioner.
- Never push the **TEST** button during operation. Doing so can damage the plug.
 - Do not remove, modify, or immerse this plug. If this device trips, the cause should be corrected before further use.

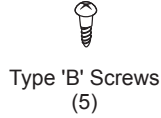
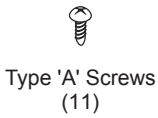
⚠ CAUTION

- The conductors inside this cord are surrounded by shields, which monitor leakage current. These shields are not grounded. Periodically examine the cord for any damage. Do not use this product in the event the shields become exposed. Avoid shock hazard. This unit cannot be user-serviced. Do not open the tamper-resistant sealed portion. All warranties and performance will be voided. This unit is not intended to be used as an ON/OFF switch.

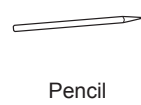
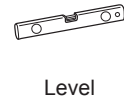
Installation Overview



Accessories

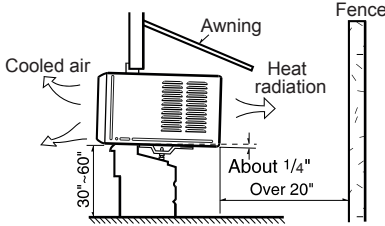


Tools Needed



How to Install the Unit

- 1 To prevent vibration and noise, make sure the unit is installed securely and firmly.
- 2 Install the unit where the sunlight does not shine directly on the unit.
- 3 The outside of the cabinet must extend outward for at least 12" and there should be no obstacles, such as a fence or wall, within 20" from the back of the cabinet because it will prevent heat radiation of the condenser. Restriction of outside air will greatly reduce the cooling efficiency of the air conditioner.



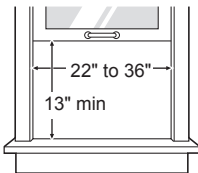
CAUTION

- All side louvers of the cabinet must remain exposed to the outside of the structure.

- 4 Install the unit slightly tilted so the back is slightly lower than the front (about 1/4"). This will force condensed water to flow to the outside.
- 5 Install the unit with the bottom between 30" ~60" above the floor level.

Window Requirements

- This unit is designed for installation in standard double hung windows with actual opening widths from 22" to 36". The top and bottom window sashes must open sufficiently to allow a clear vertical opening of 13" from the bottom of the upper sash to the inside sill.



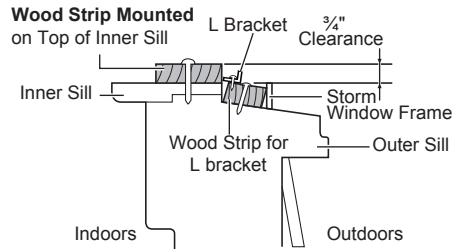
NOTE

- This product is a WINDOW AIR CONDITIONER. As such, a standard single-hung or double-hung window is required for proper installation. No-window installations, including using sleeves, holes in walls, and other installations are not recommended.

Clearance

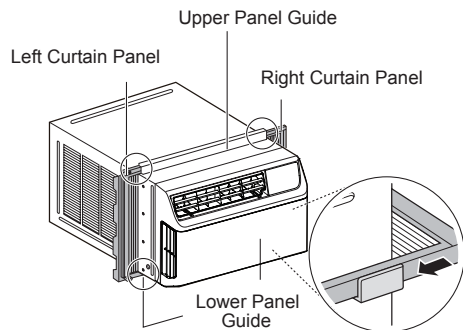
Proper clearance enhances the cooling efficiency of the product.

- 1 If a storm window presents interference, fasten a 2" wide wood strip to the inner window sill across the full width of the sill. The wood strip should be thick enough to raise the height of the window sill so that the unit can be installed without interference by the storm window frame.
- 2 (See drawing.) The top of the wood strip on the inside sill should be approximately 3/4" higher than the storm window frame or wood strip on the outside sill to help condensation to drain properly to the outside.
- 3 If necessary, install a second wood strip (same thickness as first strip) in the center of sill flush against the back of the inner sill. This will raise the L bracket as shown in the drawing.



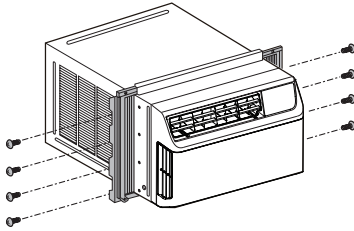
Preparation of Unit

- 1 Insert the top and bottom rails of the curtain panels into the upper and lower panel guides.

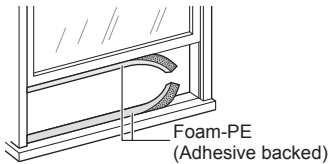


12 INSTALLATION

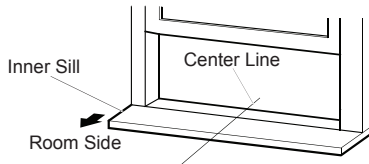
- 2 Fasten the curtain panels to the unit with 8 type A screws.



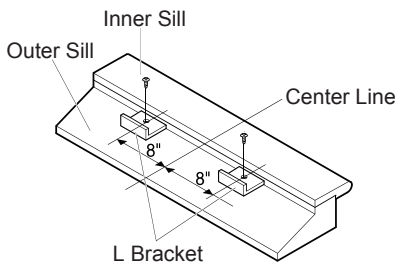
- 3 Cut the window sash seals to the proper length. Peel off the backing and attach the Foam-PE (Adhesive backed) to the underside of the window sash and bottom of window frame.



- 4 Open the window and mark center line on the center of the inner sill.



- 5 Install the L bracket behind the inner window sill, with short side of bracket as shown. Use the 2 Type A screws provided.



NOTE

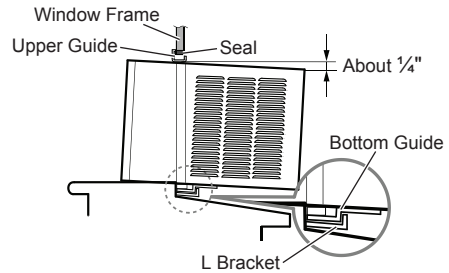
- The bracket helps to hold unit securely in place. Be sure to place bracket edge flush against back of inner sill.

Unit Installation

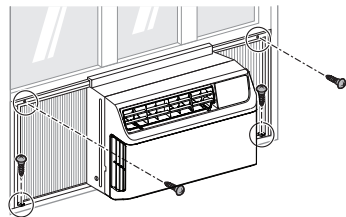
CAUTION

- During the following step, hold unit firmly until window sash is lowered to top channel behind side panel frames. Personal injury or property damage may result if unit falls from window.

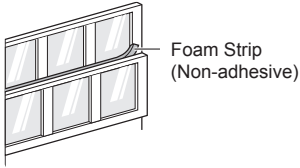
- 1 Set the air conditioner in the window so that it is centered. Place the air conditioner so that front edge of the bottom guide is against the back edge of the sill. Bring the window down so that the front edge of the upper guide is in front of the window. Make sure that air conditioner is level or tilting slightly to the outside.



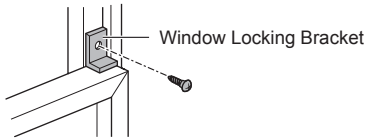
- 2 Extend the guide panels to fill the window opening using 4 Type B screws to secure them.



- 3 Cut the non-adhesive foam strip to the proper length and insert it between the upper window sash and the lower window sash.

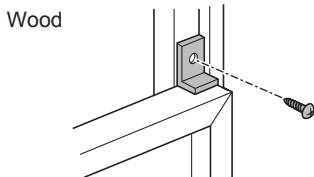
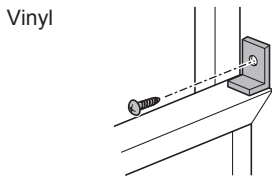


- 4 Attach the window locking bracket with a type A screw.

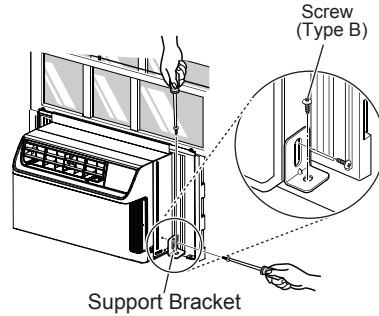


NOTE

- Fasten the remaining L bracket to the outer window sash with 1 type A screw as shown.



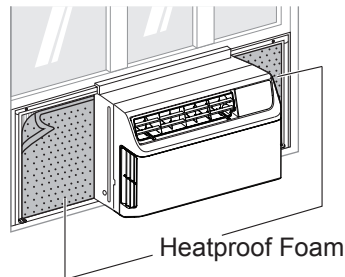
- 5 Remove the screw from the right side of cabinet. Fasten the support bracket using a removed from the air conditioner cabinet. Attach the support bracket to the inner window sill with a Type B screw.



- 6 Cut the adhesive-backed heatproof foam to match the size of the curtain panels. Remove the backing from the heatproof foam and attach it to the curtain panels.

NOTE

- Heatproof foam improves the cooling capability of the air conditioner.

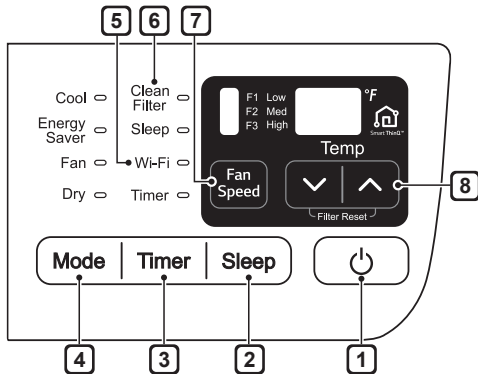


NOTE

- See the 'Electrical Data' section for information on attaching the power cord to an electrical outlet.

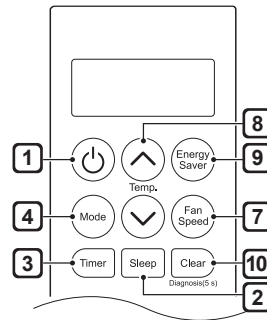
OPERATION

Control Panel and Remote Control



- 1 Power**
Press to turn the air conditioner ON or OFF.
- 2 Sleep Mode**
This mode keeps operating noise to a minimum and turns the air conditioner off after a set time. The timer can be set from 1 to 7 hours.
 - In the Sleep Mode, the setting temperature increases by 2 °F after 30 minutes and additional 2 °F after another 30 minutes for a more comfortable sleep.
 - The setting temperature increases up to 4 °F from the preset temperature.
- 3 Delay ON/OFF Timer**
Delay ON - When the air conditioner is off, set it to automatically turn on from 1 to 24 hours later, at its previous mode and fan settings.
Delay OFF - When the air conditioner is on, set it to automatically turn off from 1 to 24 hours later.
- NOTE**
 - Each press of the **Timer** button advances the timer by 1 hour. After the last press the display returns to the temperature setting.
- 4 Operation Mode**
Press the Mode button to cycle between 4 types of air conditioner operation: Energy Saver / Cool / Fan Only / Dry.

Remote Control



Energy Saver - In this mode the compressor and fan turn off when the set temperature is achieved. Approximately every 3 minutes the fan turns on to allow the unit sensor to accurately determine if more cooling is needed.

Cool - This mode is ideal on hot days to cool and dehumidify the room quickly. Use the **Temp** \wedge \vee buttons to set the desired room temperature and use the **Fan Speed** button to set the desired fan circulation speed.

Fan Only - In this mode the fan circulates air but the compressor does not run. Use the **Fan Speed** button to set fan speed to High, Medium or Low. In this mode, you cannot adjust the set temperature.

Dry - This mode is ideal for rainy and damp days to dehumidify the room rather than cooling it significantly. Humidity is removed from the room by the combination of compressor operation and the fan speed fixed at Low. The compressor and fan turn off once the set temperature is reached. Fan speed cannot be adjusted in Dry mode.

- 5 Wi-Fi**
Enables connection of the air conditioner to the home Wi-Fi.

6 Clean Filter

The Clean Filter LED lights up to notify you that the filter needs to be cleaned. After cleaning the filter, press **Temp** \wedge and \vee together on the control panel to turn off the Clean Filter light.

NOTE

- The filter reset must be done using the control panel, not the remote control.
- This feature is a reminder to clean the air filter for more efficient operation. The LED light turns on after 250 hours of operation.

7 Fan Speed

Press to set the fan speed to Low (F1), Medium (F2), or High (F3).

8 Temperature Control

The thermostat monitors room temperature to maintain the desired temperature. The thermostat can be set between 60 °F–86 °F (16 °C–30 °C). Press \wedge or \vee arrows to increase or decrease temperature setting.

9 Energy Saver

In this mode the compressor and fan turn off when the set temperature is achieved. Approximately every 3 minutes the fan turns on to allow the unit sensor to accurately determine if more cooling is needed.

10 Clear

Cancel Sleep and Timer settings.

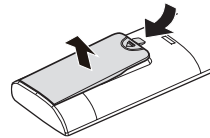
NOTE

- **Auto Restart:** If the air conditioner turns off due to a power outage, it will restart automatically once the power is restored, with the same settings as were set before the unit turned off.
- **Energy Saver:** The unit defaults to the Energy Saver mode each time the unit is switched on except in Fan mode or when power is restored after an electrical power outage.
- The remote control will not function properly if the AC infrared sensor is exposed to direct light or if there are obstacles between the remote controller and the air conditioner.

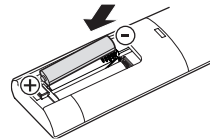
Wireless Remote Control**Inserting Batteries**

If the display screen of the remote control begins to fade, replace the batteries. Insert AAA (1.5 V) batteries before using the remote control.

- 1 Remove the cover on the back of the remote control.



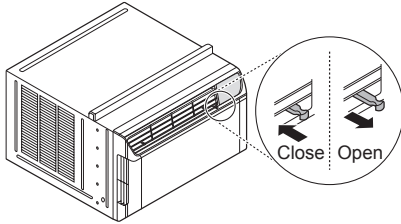
- 2 Insert the new batteries and make sure that the + and - terminals of the batteries are installed correctly.

**NOTE**

- New batteries are supplied with the air conditioner for use in the remote control.
- Do not use a rechargeable battery. Make sure that the battery is new.
- In order to prevent discharge, remove the battery from the remote control if the air conditioner is not going to be used for an extended period of time.
- Keep the remote control away from extremely hot or humid places.
- To maintain optimal operation of the remote control, the remote sensor should not be exposed to direct sunlight.

Ventilation

Push the ventilation lever in to the closed position to maintain the best cooling performance. Pull the ventilation lever out to open the vent and draw fresh air into the room.

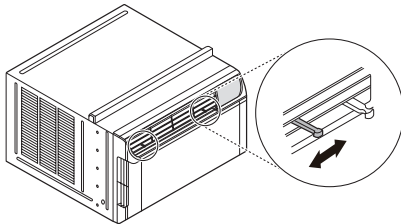


Air Direction

Airflow can be adjusted by changing the direction of the air conditioner's louvers.

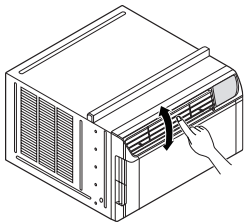
Adjusting Horizontal Airflow Direction

The horizontal airflow is adjusted by moving the levers of the vertical louvers to the left or right.



Adjusting Vertical Airflow Direction

Touch the horizontal louvers to adjust the airflow up or down.



NOTE

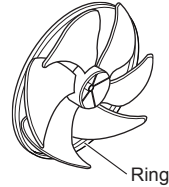
- When the weather is extremely hot, the unit may turn off automatically to protect the compressor.

Additional Features

Slinger Fan

This air conditioner is equipped with a slinger fan. (See drawing.)


The fan's outer ring picks up the condensed water from the base pan if the water level gets high enough. The water is then picked up by the fan and expelled through the condenser, making the air conditioner more efficient.

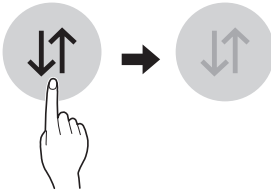


SMART FUNCTIONS

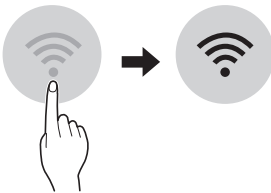
Using LG SmartThinQ Application

Things to check before using LG SmartThinQ


- For appliances with the  logo
- 1 Check the distance between the appliance and the wireless router (Wi-Fi network).
 - If the distance between the appliance and the wireless router is too far, the signal strength becomes weak. It may take a long time to register or installation may fail.
 - 2 Turn off the **Mobile data** or **Cellular Data** on your smartphone.
 - For iPhones, turn data off by going to **Settings** → **Cellular** → **Cellular Data**.



- 3 Connect your smartphone to the wireless router.




NOTE

- To verify the Wi-Fi connection, check that **Wi-Fi**  icon on the control panel is lit.
- The appliance supports 2.4 GHz Wi-Fi networks only. To check your network frequency, contact your Internet service provider or refer to your wireless router manual.
- LG SmartThinQ is not responsible for any network connection problems or any faults, malfunctions, or errors caused by network connection.
- If the appliance is having trouble connecting to the Wi-Fi network, it may be too far from the router. Purchase a Wi-Fi repeater (range extender) to improve the Wi-Fi signal strength.
- The Wi-Fi connection may not connect or may be interrupted because of the home network environment.
- The network connection may not work properly depending on the Internet service provider.
- The surrounding wireless environment can make the wireless network service run slowly.
- The appliance cannot be registered due to problems with the wireless signal transmission. Unplug the appliance and wait about a minute before trying again.
- If the firewall on your wireless router is enabled, disable the firewall or add an exception to it.
- The wireless network name (SSID) should be a combination of English letters and numbers. (Do not use special characters.)
- Smartphone user interface (UI) may vary depending on the mobile operating system (OS) and the manufacturer.
- If the security protocol of the router is set to **WEP**, you may fail to set up the network. Please change it to other security protocols (**WPA2** is recommended) and register the product again.

Installing LG SmartThinQ

Search for the LG SmartThinQ application from the Google Play Store or Apple App Store on a smart phone. Follow instructions to download and install the application.

Wi-Fi Function

- For appliances with the  logo

Communicate with the appliance from a smart phone using the convenient smart features.

Settings

Allows you to set various options on the appliance and in the application.

NOTE

- If you change your wireless router, Internet service provider, or password, delete the registered appliance from the LG SmartThinQ application and register it again.
- The application is subject to change for appliance improvement purposes without notice to users.
- Functions may vary by model.

Smart Diagnosis™ Using a Smart Phone

Use this function if you need an accurate diagnosis by an LG Electronics customer information center when the appliance malfunctions or fails.

Smart Diagnosis™ can not be activated unless the appliance is connected to power. If the appliance is unable to turn on, then troubleshooting must be done without using Smart Diagnosis™.

NOTE

- Be sure to keep ambient noise to a minimum or the phone may not correctly receive the buzzer beeps from the indoor unit.
- When connected to the Multi Outdoor unit, this function may not be supported.

Wireless LAN Module Specifications

Model	LCW-003
Frequency Range	2412 to 2462 MHz
Output Power (Max)	IEEE 802.11 b : 17.56 dBm IEEE 802.11 g : 25.53 dBm IEEE 802.11 n : 25.29 dBm

FCC Notice (For transmitter module contained in this product)

This equipment has been tested and found to comply with the limits for a Class B digital device, pursuant to Part 15 of the FCC Rules. These limits are designed to provide reasonable protection against harmful interference in a residential installation. This equipment generates, uses, and can radiate radio frequency energy and, if not installed and used in accordance with the instructions, may cause harmful interference to radio communications. However, there is no guarantee that interference will not occur in a particular installation. If this equipment does cause harmful interference to radio or television reception, which can be determined by turning the equipment off and on, the user is encouraged to try to correct the interference by one or more of the following measures:

- Reorient or relocate the receiving antenna.
- Increase the separation between the equipment and the receiver.
- Connect the equipment to an outlet on a circuit different from that to which the receiver is connected.
- Consult the dealer or an experienced radio/TV technician for help.

This device complies with part 15 of the FCC Rules. Operation is subject to the following two conditions:

- 1) This device may not cause harmful interference and
- 2) This device must accept any interference received, including interference that may cause undesired operation of the device.

Any changes or modifications in construction of this device which are not expressly approved by the party responsible for compliance could void the user's authority to operate the equipment.

FCC RF Radiation Exposure Statement

This equipment complies with FCC radiation exposure limits set forth for an uncontrolled environment. This transmitter must not be co-located or operating in conjunction with any other antenna or transmitter.

This equipment should be installed and operated with a minimum distance of 20 cm (7.8 inches) between the antenna and your body. Users must follow the specific operating instructions for satisfying RF exposure compliance.

Open Source Software Notice Information

To obtain the source code under GPL, LGPL, MPL, and other open source licenses, that is contained in this product, please visit <http://opensource.lge.com>. In addition to the source code, all referred license terms, warranty disclaimers and copyright notices are available for download.

LG Electronics will also provide open source code to you on CD-ROM for a charge covering the cost of performing such distribution (such as the cost of media, shipping, and handling) upon email request to opensource@lge.com. This offer is valid for a period of three years after our last shipment of this product. This offer is valid to anyone in receipt of this information.

MAINTENANCE



WARNING

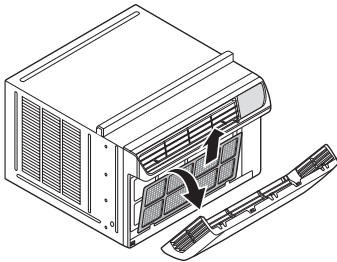
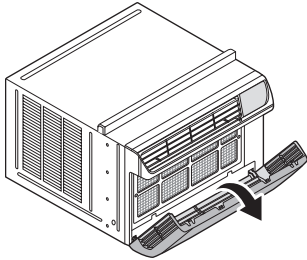
Before cleaning or performing maintenance, disconnect the power supply and wait until the fan stops.

Air Filter

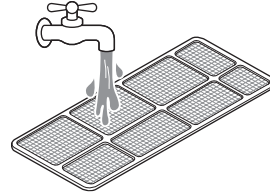
Check the air filter at least twice a month to see if cleaning is necessary. Trapped particles in the filter can build up and block the airflow, reducing cooling capacity and causing an accumulation of frost on the evaporator.

Cleaning the Air Filter

- 1 Remove the air filter from the front grille by pulling the filter forward and then up slightly.



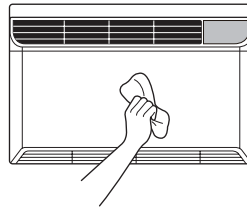
- 2 Wash the filter using lukewarm water below 40 °C (104 °F).



- 3 Gently shake the excess water from the filter and replace.
- 4 Dry the filter in the shade.
- 5 Insert the filter into the front grille.

Cleaning the Air Conditioner

- Wipe the front grille and inlet grille with a cloth dampened in a mild detergent solution.
- Wash the cabinet with mild soap or detergent and lukewarm water, then polish using liquid appliance wax.



NOTE

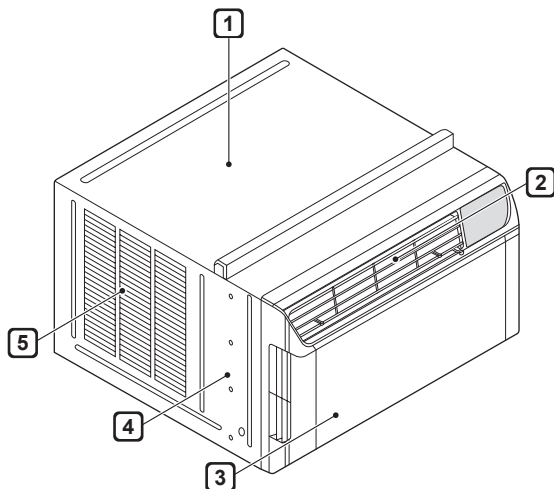
- To ensure continued peak efficiency, the condenser coils (outside of unit) should be checked periodically and cleaned if clogged with soot or dirt from outside air.
- For repair and maintenance, contact an Authorized Service Center. See the warranty page for details or call 1-800-243-0000. Have your model number and serial number available. They should be written on page 27 of this manual.

TROUBLESHOOTING

Before Calling for Service

The appliance is equipped with an automatic error-monitoring system to detect and diagnose problems at an early stage. If the appliance does not function properly or does not function at all, check the following before you call for service.

Normal Sounds You May Hear



- 1 High Pitched Chatter**
Today's high efficiency compressors may have a high pitched chatter during the cooling cycle.
- 2 Sound of Rushing Air**
At the front of the unit, you may hear the sound of rushing air being moved by the fan.
- 3 Gurgle/Hiss**
Gurgling or hissing noise may be heard due to refrigerant passing through evaporator during normal operation.
- 4 Vibration**
Unit may vibrate and make noise because of poor wall or window construction or incorrect installation.
- 5 Pinging or Swishing**
Droplets of water hitting condenser during normal operation may cause pinging or swishing sounds.

Problem	Possible Cause	Solutions
<p>Air conditioner does not start.</p>	<p>The air conditioner is unplugged.</p>	<p>Make sure the air conditioner plug is pushed completely into the outlet.</p>
	<p>The fuse is blown/circuit breaker is tripped.</p>	<p>Check the house fuse/circuit breaker box and replace the fuse or reset the breaker.</p>
	<p>Power failure.</p>	<p>If power failure occurs, turn the mode control to off. When power is restored, wait 3 minutes to restart the air conditioner to prevent tripping of the compressor overload.</p>
	<p>The current interrupter device is tripped.</p>	<p>Press the RESET button located on the power cord plug. If the RESET button will not stay engaged, discontinue use of the air conditioner and contact a qualified service technician.</p>
<p>Air conditioner does not cool as it should.</p>	<p>Airflow is restricted.</p>	<p>Make sure there are no curtains, blinds, or furniture blocking the front of the air conditioner.</p>
	<p>The temp control may not be set correctly.</p>	<p>Set the desired temperature to a level lower than the current temperature.</p>
	<p>The air filter is dirty.</p>	<p>Clean the filter at least every 2 weeks. See the 'MAINTENANCE' section.</p>
	<p>The room may have been hot.</p>	<p>When the air conditioner is first turned on, you need to allow time for the room to cool down.</p>
	<p>Cold air is escaping.</p>	<p>Check for open furnace floor registers and cold air returns.</p>
	<p>Cooling coils have iced up.</p>	<p>See 'Air conditioner freezing up' below.</p>
<p>Air conditioner freezing up.</p>	<p>The cooling coils are iced over.</p>	<p>Ice may block the air flow and obstruct the air conditioner from properly cooling the room. Set the mode control at High Fan or High Cool.</p>
<p>Water drips outside.</p>	<p>Hot, humid weather.</p>	<p>This is normal.</p>

Problem	Possible Cause	Solutions
Water drips indoors.	The air conditioner is not tilted to the outside.	For proper water disposal, make sure the air conditioner slants slightly from the cabinet front to the rear.
Water collects in base pan.	Moisture removed from air and drains into base pan.	This is normal for a short period in areas with little humidity; normal for a longer period in very humid areas.
Air conditioner turns on and off rapidly.	Dirty air filter - air restricted.	Clean air filter.
	Outside temperature extremely hot.	Refer to installation instructions or check with installer.
Noise when unit is cooling.	Air movement sound.	This is normal. If too loud, set to lower FAN setting.
	Window vibration - poor installation.	Refer to installation instructions or check with installer.
Room too cold.	Set temperature too low.	Increase set temperature.
Can't connect the LG SmartThinQ App. to the air conditioner.	Air conditioner is turned off.	Turn the air conditioner on.
	Wireless router is turned off.	Turn the router on.
The air conditioner is not connecting to the Wi-Fi.	The Wi-Fi router is too far from the air conditioner.	Move the router closer to the air conditioner or purchase and install a Wi-Fi repeater (signal booster).
	You do not have permission to use the router or it is incompatible.	Make sure you are selecting the correct wireless router from the list. The router must be set to 2.4 GHz.

NOTE

- You can refer to the Energy Star program in detail at www.energystar.gov.
- If you see "CH" in the display, please call 1-800-243-0000.

Wi-Fi

Problem	Possible Cause	Solutions
<p>Trouble connecting appliance and smartphone to Wi-Fi network.</p>	<p>The password for the Wi-Fi network was entered incorrectly.</p>	<p>Delete your home Wi-Fi network and begin the registration process again.</p>
	<p>Mobile data for your smartphone is turned on.</p>	<p>Turn off the Mobile data on your smartphone before registering the appliance.</p>
	<p>The wireless network name (SSID) is set incorrectly.</p>	<p>The wireless network name (SSID) should be a combination of English letters and numbers. (Do not use special characters.)</p>
	<p>The router frequency is not 2.4 GHz.</p>	<p>Only a 2.4 GHz router frequency is supported. Set the wireless router to 2.4 GHz and connect the appliance to the wireless router. To check the router frequency, check with your Internet service provider or the router manufacturer.</p>
	<p>The distance between the appliance and the router is too far.</p>	<p>If the appliance is too far from the router, the signal may be weak and the connection may not be configured correctly. Move the router closer to the appliance or purchase and install a Wi-Fi repeater.</p>

WARRANTY

ARBITRATION NOTICE: THIS LIMITED WARRANTY CONTAINS AN ARBITRATION PROVISION THAT REQUIRES YOU AND LG TO RESOLVE DISPUTES BY BINDING ARBITRATION INSTEAD OF IN COURT, UNLESS YOU CHOOSE TO OPT OUT. IN ARBITRATION, CLASS ACTIONS AND JURY TRIALS ARE NOT PERMITTED. PLEASE SEE THE SECTION TITLED "PROCEDURE FOR RESOLVING DISPUTES" BELOW.

WHAT THIS WARRANTY COVERS:

LG Electronics U.S.A., Inc. ("LG") warrants your LG Room Air Conditioner ("product") against defect in materials or workmanship under normal household use, during the warranty period set forth below, LG will, at its option, repair or replace the product. This limited warranty is valid only to the original retail purchaser of the product, is not assignable or transferrable to any subsequent purchaser or user, and applies only when the product is purchased through an LG authorized dealer or distributor and used within the United States ("U.S.") including U.S. Territories.

NOTE

- Replacement products and repair parts may be new or factory-remanufactured and are warranted for the remaining portion of the original unit's warranty period or ninety (90) days, whichever is longer. Please retain dated receipt or delivery ticket as evidence of the Date of Purchase for proof of warranty (you may be required to submit a copy to LG or authorized representative).

WARRANTY PERIOD:

1 year from the Date of Purchase: **Any internal/ functional Parts and Labor**

HOW SERVICE IS HANDLED: In-Home Service

In-home service will be provided during the warranty period subject to availability within the United States. In-home service may not be available in all areas. To receive in-home service, the product must be unobstructed and accessible to service personnel. If during in-home service repair cannot be completed, it may be necessary to remove, repair and return the product. If in-home service is unavailable, LG may elect, at our option, to provide for transportation of our choice to and from a LG authorized service center.

THIS LIMITED WARRANTY DOES NOT COVER:

- Service trips to deliver, pick up, or install the product or for instruction on product use.
- Replacing house fuses or resetting of circuit breakers, correction of house wiring or plumbing, or correction of product installation.
- Damage or failure caused by leaky / broken / frozen water pipes, restricted drain lines, inadequate or interrupted water supply or inadequate supply of air.
- Damage or failure caused by accidents, pests and vermin, lightning, wind, fire, floods or acts of God.
- Damage or failure resulting from misuse, abuse, improper installation, repair or maintenance. Improper repair includes use of parts not approved or specified by LG.
- Damage or failure caused by unauthorized modification or alteration to the product.
- Damage or failure caused by incorrect electrical current, voltage, or plumbing codes.
- Cosmetic damage, including scratches, dents, chips or other damage to the finish of the product, unless such damage results from defects in materials or workmanship and is reported to LG within seven (7) calendar days from the date of delivery.
- Damage or missing items to any display, open box, discounted, or refurbished product.

- Product where the original factory serial numbers have been removed, defaced or changed in any way.
- Repairs when product is used in other than normal and usual household use (e.g. rental, commercial use, offices, or recreational facilities) or contrary to the instructions outlined in the owner's manual.
- The removal and reinstallation of the Product if it is installed in an inaccessible location.

THIS WARRANTY IS IN LIEU OF ANY OTHER WARRANTY, EXPRESS OR IMPLIED, INCLUDING AND WITHOUT LIMITATION TO, ANY WARRANTY OF MERCHANTABILITY OR FITNESS FOR A PARTICULAR PURPOSE. TO THE EXTENT ANY IMPLIED WARRANTY IS REQUIRED BY LAW, THIS WARRANTY IS LIMITED IN DURATION TO THE TERM PERIOD EXPRESSED ABOVE. REPAIR OR REPLACEMENT AS PROVIDED UNDER THIS WARRANTY IS THE EXCLUSIVE REMEDY FOR THE CUSTOMER. NEITHER THE MANUFACTURER NOR ITS U.S. DISTRIBUTOR SHALL BE LIABLE FOR ANY INCIDENTAL, CONSEQUENTIAL, INDIRECT, SPECIAL, OR PUNITIVE DAMAGES OF ANY NATURE, INCLUDING AND WITHOUT LIMITATION TO, LOST REVENUES OR PROFITS, OR ANY OTHER DAMAGE, WHETHER BASED IN CONTRACT, TORT, OR OTHERWISE.

Some states do not allow the exclusion or limitation of incidental or consequential damages or limitations on how long an implied warranty lasts, so the above exclusion or limitation may not apply to you. This warranty gives you specific legal rights and you may also have other rights that vary from state to state.

HOW TO OBTAIN WARRANTY SERVICE & ADDITIONAL INFORMATION:

Call 1-800-243-0000 or visit our website at www.lg.com.

Mail to: LG Customer Information Center (ATTN: CIC)
201 James Record Road, Huntsville, AL 35824

FOR YOUR RECORDS

Write the model and serial numbers here:

Model No. _____

Serial No. _____

- You can find them on a label on the side of each unit.

Dealer's Name _____

Date Purchased _____

- Staple your receipt to this page in the event you need it to prove date of purchase or for warranty issues.

PROCEDURE FOR RESOLVING DISPUTES:

ALL DISPUTES BETWEEN YOU AND LG ARISING OUT OF OR RELATING IN ANY WAY TO THIS LIMITED WARRANTY OR THE PRODUCT SHALL BE RESOLVED EXCLUSIVELY THROUGH BINDING ARBITRATION, AND NOT IN A COURT OF GENERAL JURISDICTION. BINDING ARBITRATION MEANS THAT YOU AND LG ARE EACH WAIVING THE RIGHT TO A JURY TRIAL AND TO BRING OR PARTICIPATE IN A CLASS ACTION.

Definitions. For the purposes of this section, references to “LG” mean LG Electronics U.S.A., Inc., its parents, subsidiaries and affiliates, and each of their officers, directors, employees, agents, beneficiaries, predecessors in interest, successors, assigns and suppliers; references to “dispute” or “claim” shall include any dispute, claim or controversy of any kind whatsoever (whether based in contract, tort, statute, regulation, ordinance, fraud, misrepresentation or any other legal or equitable theory) arising out of or relating in any way to the sale, condition or performance of the product or this Limited Warranty.

Notice of Dispute. In the event you intend to commence an arbitration proceeding, you must first notify LG in writing at least 30 days in advance of initiating the arbitration by sending a letter to LG at LG Electronics, USA, Inc. Attn: Legal Department- Arbitration 1000 Sylvan Ave, Englewood Cliffs 07632. You and LG agree to engage in good faith discussions in an attempt to amicably resolve your claim. The notice must provide your name, address, and telephone number; identify the product that is the subject of the claim; and describe the nature of the claim and the relief being sought. If you and LG are unable to resolve the dispute within 30 days, either party may proceed to file a claim for arbitration.

Agreement to Binding Arbitration and Class Action Waiver. Upon failure to resolve the dispute during the 30 day period after sending written notice to LG, you and LG agree to resolve any claims between us only by binding arbitration on an individual basis, unless you opt out as provided below. Any dispute between you and LG shall not be combined or consolidated with a dispute involving any other person’s or entity’s product or claim. More specifically, without limitation of the foregoing, any dispute between you and LG shall not under any circumstances proceed as part of a class or representative action. Instead of arbitration, either party may bring an individual action in small claims court, but that small claims court action may not be brought on a class or representative basis.

Arbitration Rules and Procedures. To begin arbitration of a claim, either you or LG must make a written demand for arbitration. The arbitration will be administered by the American Arbitration Association (“AAA”) and will be conducted before a single arbitrator under the AAA’s Consumer Arbitration Rules that are in effect at the time the arbitration is initiated (referred to as the “AAA Rules”) and under the procedures set forth in this section. The AAA Rules are available online at www.adr.org/consumer. Send a copy of your written demand for arbitration, as well as a copy of this provision, to the AAA in the manner described in the AAA Rules. You must also send a copy of your written demand to LG at LG Electronics, USA, Inc. Attn: Legal Department- Arbitration 1000 Sylvan Avenue Englewood Cliffs, NJ 07632. If there is a conflict between the AAA Rules and the rules set forth in this section, the rules set forth in this section will govern. This arbitration provision is governed by the Federal Arbitration Act. Judgment may be entered on the arbitrator’s award in any court of competent jurisdiction. All issues are for the arbitrator to decide, except that issues relating to the scope and enforceability of the arbitration provision and to the arbitrability of the dispute are for the court to decide. The arbitrator is bound by the terms of this provision.

Governing Law. The law of the state of your residence shall govern this Limited Warranty and any disputes between us except to the extent that such law is preempted by or inconsistent with applicable federal law.

Fees/Costs. You do not need to pay any fee to begin an arbitration. Upon receipt of your written demand for arbitration, LG will promptly pay all arbitration filing fees to the AAA unless you seek more than \$25,000 in damages, in which case the payment of these fees will be governed by the AAA Rules. Except as otherwise provided for herein, LG will pay all AAA filing, administration and arbitrator fees for any arbitration initiated in accordance with the AAA Rules and this arbitration provision. If you prevail in

the arbitration, LG will pay your attorneys' fees and expenses as long as they are reasonable, by considering factors including, but not limited to, the purchase amount and claim amount. Notwithstanding the foregoing, if applicable law allows for an award of reasonable attorneys' fees and expenses, an arbitrator can award them to the same extent that a court would. If the arbitrator finds either the substance of your claim or the relief sought in the demand is frivolous or brought for an improper purpose (as measured by the standards set forth in Federal Rule of Civil Procedure 11(b)), then the payment of all arbitration fees will be governed by the AAA Rules. In such a situation, you agree to reimburse LG for all monies previously disbursed by it that are otherwise your obligation to pay under the AAA Rules. Except as otherwise provided for, LG waives any rights it may have to seek attorneys' fees and expenses from you if LG prevails in the arbitration.

Hearings and Location. If your claim is for \$25,000 or less, you may choose to have the arbitration conducted solely on the basis of (1) documents submitted to the arbitrator, (2) through a telephonic hearing, or (3) by an in-person hearing as established by the AAA Rules. If your claim exceeds \$25,000, the right to a hearing will be determined by the AAA Rules. Any in-person arbitration hearings will be held at a location within the federal judicial district in which you reside unless we both agree to another location or we agree to a telephonic arbitration.

Opt Out. You may opt out of this dispute resolution procedure. If you opt out, neither you nor LG can require the other to participate in an arbitration proceeding. To opt out, you must send notice to LG no later than 30 calendar days from the date of the first consumer purchaser's purchase of the product by either: (i) sending an e-mail to optout@lge.com, with the subject line: "Arbitration Opt Out" or (ii) calling 1-800-980-2973. You must include in the opt out e-mail or provide by telephone: (a) your name and address; (b) the date on which the product was purchased; (c) the product model name or model number; and (d) the serial number (the serial number can be found (i) on the product; or (ii) online by accessing <https://www.lg.com/us/support/repair-service/schedule-repair-continued> and clicking on "Find My Model & Serial Number").

You may only opt out of the dispute resolution procedure in the manner described above (that is, by e-mail or telephone); no other form of notice will be effective to opt out of this dispute resolution procedure. Opting out of this dispute resolution procedure will not affect the coverage of the Limited Warranty in any way, and you will continue to enjoy the full benefits of the Limited Warranty. If you keep this product and do not opt out, then you accept all terms and conditions of the arbitration provision described above.



ESPAÑOL

MANUAL DEL PROPIETARIO

AIRE ACONDICIONADO

Lea detenidamente el manual del propietario antes de poner el electrodoméstico en funcionamiento y consérvelo a mano en todo momento para su referencia.

TIPO: DE VENTANA

LW1019IVSM

www.lg.com

Copyright © 2019 LG Electronics Inc. Todos los Derechos Reservados.

TABLA DE CONTENIDOS

3 INSTRUCCIONES DE SEGURIDAD

- 3 INSTRUCCIONES IMPORTANTES DE SEGURIDAD

8 DESCRIPCIÓN GENERAL DEL PRODUCTO

- 8 Piezas exteriores
- 8 Piezas interiores

9 INSTALACIÓN

- 9 Datos eléctricos
- 10 Descripción general de la instalación
- 11 Cómo instalar la unidad
- 11 Requisitos de la ventana
- 11 Separación
- 11 Preparación de la Unidad
- 12 Instalación de la carcasa

14 FUNCIONAMIENTO

- 14 Panel de control y control remoto
- 15 Control remoto inalámbrico
- 16 Ventilación
- 16 Dirección del aire
- 16 Funciones adicionales

17 FUNCIONES INTELIGENTES

- 17 Cómo usar la aplicación LG SmartThinQ

20 MANTENIMIENTO

- 20 Filtro de aire

21 SOLUCIÓN DE PROBLEMAS

- 21 Antes de llamar al servicio técnico
- 21 Sonidos Normales Que Puede Escuchar

25 GARANTÍA

INSTRUCCIONES DE SEGURIDAD

LEA TODAS LAS INSTRUCCIONES ANTES DE UTILIZAR

Su seguridad y la de los demás son muy importantes.

Tanto en este manual como en el equipo, hemos proporcionado muchos mensajes de seguridad importantes. Siempre debe leer y respetar todos los mensajes de seguridad.

Este es el símbolo de alerta de seguridad.



Este símbolo le advierte sobre posibles riesgos que pueden ocasionar lesiones o la muerte a usted o a otros.

El símbolo de alerta de seguridad siempre estará acompañado de las palabras "ADVERTENCIA" o "PRECAUCIÓN" y seguido de un mensaje de seguridad importante.

Estos términos significan lo siguiente:



ADVERTENCIA

Podría sufrir lesiones graves o la muerte si no sigue las instrucciones.



PRECAUCIÓN

Puede resultar lesionado o causar daño al producto si no sigue las instrucciones.

Todos los mensajes de seguridad le indicarán cuál es el riesgo potencial, le indicarán cómo reducir la probabilidad de lesiones y le proporcionarán información sobre qué podría suceder si no se siguen las instrucciones.

INSTRUCCIONES IMPORTANTES DE SEGURIDAD



ADVERTENCIA

Para disminuir el riesgo de explosiones, incendios, descargas eléctricas, quemaduras, lesiones o muerte para las personas que usen este artefacto, siga las precauciones básicas, incluidas las siguientes:

INSTALACIÓN

- Antes de ser utilizado, este artefacto debe ser correctamente instalado, conforme a lo descrito en este manual.
- Póngase en contacto con el técnico de servicio autorizado para reparar o mantener esta unidad.
- Póngase en contacto con el instalador para instalar esta unidad.
- Los niños y las personas con discapacidad no deben utilizar el acondicionador de aire sin supervisión.
- Se debe supervisar a los niños para asegurarse de que no jueguen con el acondicionador de aire.

- Cuando sea necesario sustituir el cable de alimentación, el trabajo de sustitución deberá realizarlo personal autorizado utilizando únicamente piezas de repuesto originales.
- El trabajo de instalación debe realizarlo únicamente personal cualificado y autorizado según el estándar estadounidense National Electrical Code (NEC).
- Debe conectarse a un circuito de alimentación de clasificación y tamaño adecuados y debidamente protegido para evitar la sobrecarga eléctrica.
- Enchúfelo siempre a una toma conectada a tierra.
- No corte ni quite la tercera clavija (tierra) del enchufe del cable de alimentación bajo ninguna circunstancia.
- Cuando traslade o instale el aparato, tenga especial cuidado en no apretar, aplastar o dañar el cable de alimentación.
- Conecte el enchufe del cable de alimentación correctamente.
- No modifique ni extienda el cable de alimentación.
- No ponga en marcha ni detenga el aparato enchufando o desenchufando el cable de alimentación.
- No active el disyuntor ni la alimentación si la rejilla delantera, la carcasa o la caja de control están desmontadas o abiertas. De lo contrario, se pueden producir incendios, descargas eléctricas, explosiones o fallecimientos.
- Si el cable o el enchufe están dañados, una persona del servicio técnico autorizado debe sustituirlos utilizando piezas de repuesto autorizadas.
- Utilice un circuito exclusivo.
- No desmonte ni modifique el producto.
- Cumpla con todos los procedimientos de seguridad del sector recomendados, incluido el uso de guantes de manga larga y gafas de seguridad.
- Tenga cuidado al desembalar e instalar. Los bordes del producto pueden estar afilados.
- Desconecte el cable de alimentación o el disyuntor antes de instalar el aparato o realizar operaciones de servicio técnico.
- Mantenga los materiales de embalaje fuera del alcance de los niños. Estos materiales pueden suponer un riesgo de asfixia para los niños.
- Almacene e instale el producto en lugares en los que no esté expuesto a temperaturas bajo cero ni a la intemperie.
- No almacene ni use gasolina u otros líquidos o vapores inflamables cerca de este artefacto ni de ningún otro.

FUNCIONAMIENTO

- Use el artefacto únicamente para el fin previsto.
- Nunca intente operar este artefacto si se encuentra dañado, si no funciona correctamente, si no está ensamblado por completo o si tiene piezas faltantes o rotas, incluido un cable o enchufe dañado.
- Repare o reemplace de inmediato todos los cables de alimentación deshilachados o dañados de otra forma. No use un cable que exhiba roturas o abrasión en su longitud o en sus extremos.
- No pase cables bajo alfombras ni esteras donde pueda pisarse y dañarse.
- No coloque cables bajo objetos pesados como mesas o sillas.
- No coloque el cable de alimentación cerca de fuentes de calor.
- No utilice adaptadores ni enchufe el producto a una toma compartida.
- No utilice indebidamente los controles.
- Si detecta un sonido extraño, olor a quemado o a químico, o humo provenientes del artefacto, desconéctelo de inmediato y contáctese con un Centro de Información al Cliente de LG Electronics.
- Nunca desconecte el artefacto tirando del cable de alimentación. Sujete siempre con firmeza el enchufe y tire derecho para extraerlo del tomacorriente.
- No sujete el cable de alimentación ni toque los controles del artefacto con las manos húmedas.

- Si entra agua en el producto, interrumpa la alimentación del circuito principal y, a continuación, desenchufe el producto y llame al servicio técnico.
- Si el producto se ha mojado accidentalmente, comuníquese con el Centro de Información al Cliente de LG Electronics para que le den instrucciones antes de reanudar el uso.
- Desenchufe el producto cuando vaya a estar largos períodos sin utilizarse.
- Desenchufe el producto antes de limpiar.
- Si se produce una fuga de gas (propano, etc.), no utilice ni este ni ningún otro aparato. Abra una ventana o una puerta para ventilar la zona inmediatamente.
- Este aparato no está diseñado para ser utilizado por personas (incluidos niños) con capacidades físicas, sensoriales o mentales disminuidas o con falta de experiencia y conocimiento, a menos que una persona responsable de su seguridad los supervise o los instruya acerca del uso del mismo. Se debe supervisar a los niños para asegurar que no jueguen con el artefacto.
- El interior del producto solo debe limpiarse en un Centro de información al cliente de LG Electronics o en un distribuidor.
- No utilice detergentes con disolventes en el producto. Hacerlo puede causar corrosión o daños, el fallo del producto, una descarga eléctrica o un incendio.

INSTRUCCIONES DE CONEXIÓN A TIERRA

- El cable de alimentación de este aparato está equipado con un enchufe de tres clavijas (tierra). Utilícelo en una toma de pared estándar de tres ranuras (tierra) para reducir al mínimo el peligro de descarga eléctrica. El cliente debe solicitar a un electricista cualificado que revise la toma de la pared y el circuito para asegurarse de que la toma esté correctamente conectada a tierra. **NO CORTE NI quite la TERCERA CLAVIJA (TIERRA) DEL ENCHUFE DEL CABLE DE ALIMENTACIÓN.**
 - Situaciones en las que el aparato se desconecta ocasionalmente; Debido a posibles riesgos para la seguridad, recomendamos encarecidamente no utilizar enchufes adaptadores. Sin embargo, si desea utilizar un adaptador, puede establecer una CONEXIÓN TEMPORAL. Utilice adaptadores aprobados por UL, disponibles en la mayoría de las ferreterías. La ranura grande del adaptador debe alinearse con la ranura grande de la toma para garantizar una conexión con la polaridad correcta.
- Conectar el terminal de tierra del adaptador al tornillo de cierre de la toma de la pared no conecta a tierra el aparato a menos que el tornillo de cierre sea de metal y no esté aislado y la toma de la pared se conecte a tierra a través del cableado doméstico. El cliente debe solicitar a un electricista cualificado que revise el circuito para asegurarse de que la toma esté correctamente conectada a tierra.
- Desconecte el cable de alimentación del adaptador sujetando cada uno de estos elementos con una mano. De lo contrario, el terminal de tierra del adaptador podría romperse. NO UTILICE el aparato con un enchufe adaptador roto.
 - Situaciones en las que el aparato se desconecta con frecuencia; No utilice enchufes adaptadores en estas situaciones. Si se desenchufa el cable de alimentación con frecuencia, el terminal de tierra puede romperse. En lugar de utilizar adaptadores, la toma de pared debe sustituirse por una toma de tres ranuras (tierra).

PRECAUCIÓN

Para reducir el riesgo de lesiones leves o moderadas a personas, el mal funcionamiento o daño al producto o propiedad cuando use este producto, siga las precauciones básicas, incluido lo siguiente:

INSTALACIÓN

- Al instalar el producto, tenga cuidado de que los gases de escape o la condensación no produzcan daños materiales a su alrededor.
- Siga escrupulosamente las instrucciones de instalación para evitar vibraciones excesivas o fugas de agua.

FUNCIONAMIENTO

- Este aparato no debe utilizarse como sistema de refrigeración de precisión. No lo utilice para fines especiales como la preservación de mascotas, alimentos, maquinaria de precisión u obras de arte.
- Cuando traslade o instale el aparato, tenga especial cuidado en no apretar, aplastar o dañar el cable de alimentación.
- Asegúrese de que ni la entrada ni la salida de aire estén obstruidas.
- Utilice un paño suave para limpiar el aparato. No utilice ceras, diluyentes ni detergentes fuertes.
- No pise el aparato ni coloque objetos pesados sobre él.
- No utilice el aparato sin instalar correctamente el filtro.
- No beba agua generada por el producto.
- Asegúrese de ventilar bien el ambiente cuando el aire acondicionado y un artefacto calentador (como, por ejemplo, un calefactor) se utilicen simultáneamente.
- No exponga a personas, animales o plantas a la corriente fría o caliente del aire acondicionado durante períodos prolongados.
- Retire las pilas del control remoto si no lo va a utilizar durante un período prolongado.
- Nunca mezcle diferentes tipos de baterías o baterías viejas y nuevas en el control remoto.
- Deje de usar el control remoto si existe una pérdida de líquido de las baterías. Si su ropa o su piel entran en contacto con el líquido proveniente de la batería, lave con agua limpia.
- Ante la ingesta de líquido proveniente de una batería que pierda, lave el interior de la boca a fondo y consulte a un médico.
- No recargue ni desarme las baterías.

MANTENIMIENTO

- Limpie el filtro cada dos semanas.
- Nunca toque las partes metálicas del aire acondicionado cuando retire el filtro de aire.
- Nunca utilice solventes o productos de limpieza fuertes para limpiar el aire acondicionado ni lo rocíe con agua. Utilice un paño suave.

REFRIGERANTE (SOLO PARA R32)



ADVERTENCIA

- No utilice medios para acelerar el proceso de descongelación ni para limpiar que no sean los recomendados por el fabricante.
- El aparato debe almacenarse en una habitación sin fuentes de ignición que estén continuamente activas (por ejemplo: llamas abiertas, un aparato de gas en funcionamiento o un calentador eléctrico en funcionamiento).
- No perfore ni queme. Tenga en cuenta que los refrigerantes inflamables pueden ser inodoros.



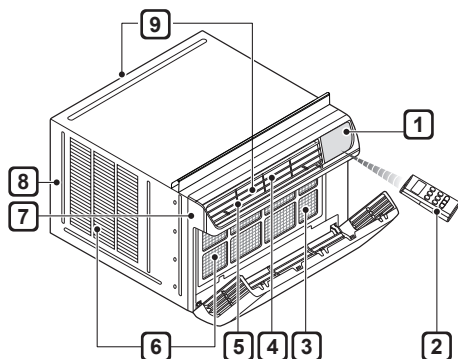
PRECAUCIÓN

- Esta unidad contiene refrigerante inflamable y se le aplican precauciones de seguridad especiales que no suelen ser necesarias en unidades más antiguas. Tenga en cuenta todos los avisos y precauciones.
 - Tenga cuidado durante la manipulación y evite que se dañe la unidad. No perfore el producto por ningún motivo. Esto puede dañarlo e impedir que la unidad enfríe.
 - El mantenimiento y la limpieza de la unidad debe llevarlos a cabo personal formado. Si la unidad no se limpia correctamente, pueden dañarse el sistema de refrigeración o el sistema eléctrico.
 - Asegúrese de que ninguna abertura de circulación del aire o ventilación esté obstruida.
 - Del servicio técnico solo deben encargarse técnicos adecuadamente formados y certificados en el uso de refrigerantes inflamables. Todas las garantías quedarán anuladas por un servicio técnico realizado por técnicos o personas sin autorización.
 - Cuando almacene el aparato, no lo coloque en habitaciones con aparatos en los que haya llamas abiertas, como calentadores de agua u hornos de gas. También debe mantener el aparato alejado de calentadores eléctricos. Las unidades dañadas deben repararse antes de almacenarse.

GUARDE ESTAS INSTRUCCIONES

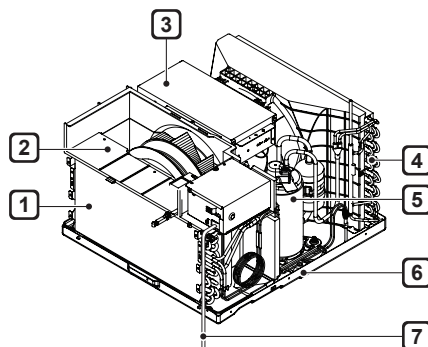
DESCRIPCIÓN GENERAL DEL PRODUCTO

Piezas exteriores



- 1 Panel de control
- 2 Mando a distancia
- 3 Filtro de aire
- 4 Deflector de aire vertical (Lamas horizontales)
- 5 Deflector de aire horizontal (Lamas verticales)
- 6 Entrada de aire
- 7 Rejilla delantera
- 8 Carcasa
- 9 Salida de aire

Piezas interiores



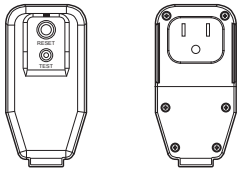
- 1 Evaporador
- 2 Guía de aire
- 3 Caja de control
- 4 Condensador
- 5 Compresor
- 6 Bandeja base
- 7 Cable de alimentación


INSTALACIÓN

Datos eléctricos

El cable de alimentación puede incluir un interruptor de corriente. En la carcasa del enchufe hay un botón de **TEST** (prueba) y otro de **RESET** (restablecer). El dispositivo debe probarse periódicamente pulsando en primer lugar el botón **TEST** y, a continuación, el botón **RESET**. Si el botón **TEST** no funciona o si el botón **RESET** no permanece pulsado, deje de utilizar el acondicionador de aire y póngase en contacto con un técnico de servicio cualificado.

Solo para 120 V



Utilice la toma de la pared	Fuente de alimentación
 <p>Toma estándar de 120 V conectada a tierra para enchufes de 3 clavijas de 15 A, 120 VCA y 60 Hz</p>	<p>Utilice 15 A, Fusible de retardo o 15 A, Disyuntor.</p>

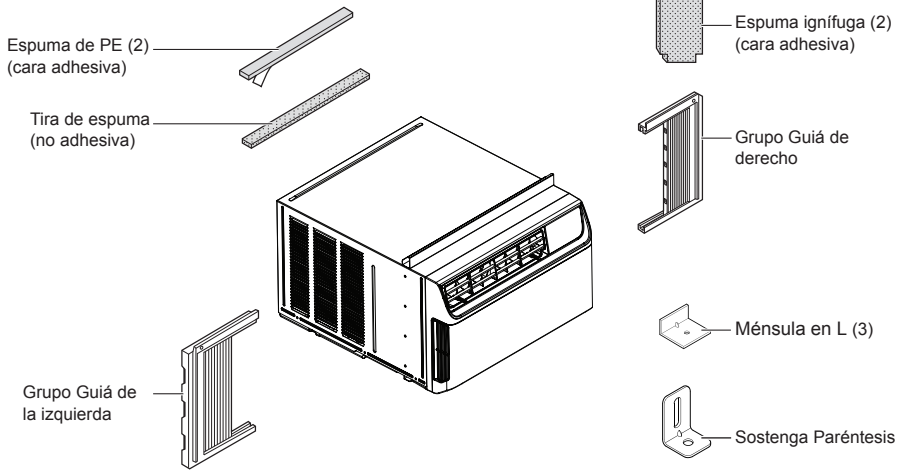
⚠ ADVERTENCIA

- Este aparato debe instalarse de acuerdo con el estándar estadounidense NEC.
- El uso de alargadores eléctricos puede provocar lesiones graves o la muerte.
 - No utilice alargadores eléctricos con este acondicionador de aire de ventana.
 - No utilice protectores de sobretensión ni adaptadores de varias tomas con este acondicionador de aire de ventana.
- Nunca pulse el botón de **TEST** durante el funcionamiento. Hacerlo podría dañar el enchufe.
 - No quite, modifique ni sumerja este enchufe. Si este dispositivo se activa, debe corregirse la causa antes de volver a utilizar el aparato.

⚠ PRECAUCIÓN

- Los conductores del interior de este cable están rodeados por un blindaje, que controla la corriente residual. Estos blindajes no están conectados a tierra. Examine periódicamente el cable para comprobar que no esté dañado. No utilice este producto si los blindajes quedan expuestos. Evite el peligro de descarga. El usuario no puede encargarse del servicio técnico de esta unidad. No abra la parte sellada antimanipulación. Todas las garantías de rendimiento quedarán anuladas. Esta unidad no debe utilizarse como un interruptor de encendido y apagado.

Descripción general de la instalación



Accesorios



Tornillos de tipo "A"
(11)



Tornillos de tipo "B"
(5)

Herramientas necesarias



Destornillador Phillips



Destornillador de hoja
plana



Llave ajustable



Nivel



Cinta medidora



Cuchilla



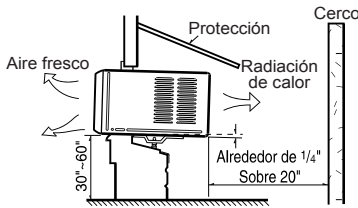
Tijeras



Lápiz

Cómo instalar la unidad

- 1 Para prevenir la vibración y el ruido, asegúrese que la unidad esté instalada con seguridad y firmeza.
- 2 Instale la unidad donde la luz del sol no caiga directamente en la misma.
- 3 La parte exterior del gabinete debe extenderse hacia afuera por lo menos a 12" sin obstáculos, como por ejemplo un cerco o una pared, dentro de los 20" desde la parte posterior del gabinete porque evitará la radiación de calor del condensador. La restricción del aire exterior reduce en gran parte la eficiencia de enfriar del acondicionador de aire.



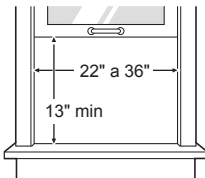
⚠ PRECAUCIÓN

- Todos los álabes laterales del gabinete deben permanecer expuestos a la parte exterior de la estructura.

- 4 Instale la unidad un poco inclinada para que la parte posterior quede ligeramente más baja que le frente (alrededor de 1/4"). Esto forzará al agua condensada a fluir hacia el exterior.
- 5 Instale la unidad con el fondo aproximadamente 30" ~60" por encima del nivel del piso.

Requisitos de la ventana

- Esta unidad ha sido diseñada para instalarse en ventanas dobles de guillotina estándar con anchos de apertura de 22" (55,88 cm) a 36" (91,44 cm). Las ventanas de guillotina superior e inferior deben abrirse lo suficiente para permitir que haya una apertura vertical libre de 13" (33,02 cm) desde la parte inferior de la ventana de guillotina superior hasta el alféizar interior.



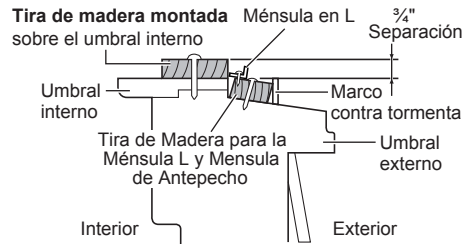
NOTA

- Este producto es un aparato de AIRE ACONDICIONADO PARA INSTALACIÓN EN VENTANAS. Como tal, se necesita una ventana de un cuelgue o de doble cuelgue para una instalación adecuada. No se recomiendan instalaciones en lugares que no sean ventanas, utilizando casquillos, orificios en las paredes ni cualquier otro tipo.

Separación

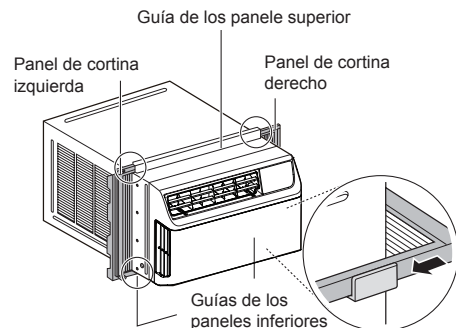
Una separación adecuada mejora la eficacia de enfriamiento del producto.

- 1 Si una ventana contra tormentas presenta una interferencia, ajuste una tira de madera de 2" de ancho en el umbral interno de la ventana a lo ancho de todo el umbral. La tira de madera deberá ser lo suficientemente gruesa para aumentar la altura del umbral de la ventana para que la unidad se pueda instalar sin interferencia del marco contra tormentas.
- 2 (Ver esquema.) Para que la condensación se drene al exterior adecuadamente, la parte superior de la tira de madera en el umbral interno deberá ser más alta que la ventana contra tormentas o la tira de madera en la parte externa del umbral por aproximadamente 3/4".
- 3 De ser necesario, instale una segunda tira de madera (del mismo ancho que la primera tira) a todo lo ancho del umbral externo y nivélelo contra la parte posterior del umbral interno.



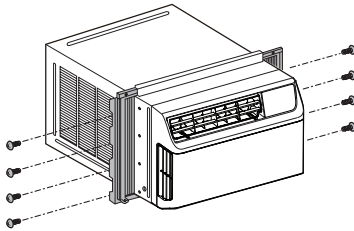
Preparación de la Unidad

- 1 Inserte los rieles superior e inferior de las paneles de cortina en las guías de los paneles superior e inferior.



12 INSTALACIÓN

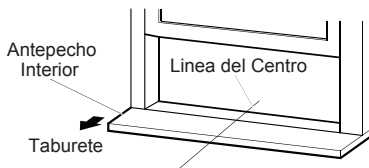
- 2 Sujete los paneles de cortina a la unidad con 8 tornillos de tipo A.



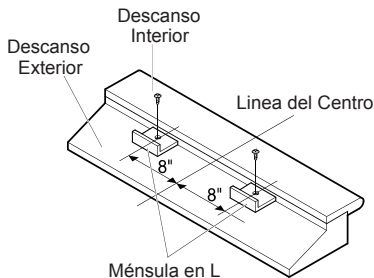
- 3 Corte los sellos para ventanas de guillotina (espuma de PE) de forma que obtenga la longitud adecuada. Despegue la capa protectora y aplique la espuma con cara adhesiva a la parte inferior de la ventana de guillotina y a la parte inferior del marco de la ventana.



- 4 Abra la ventana y marque LINEA en el centro esta.



- 5 Instale los ménsula en L detrás de alféizar interno de la ventana, con el lado corto del soporte como está ilustrado. Utilice 2 Tipo A tornillos providos.



NOTA

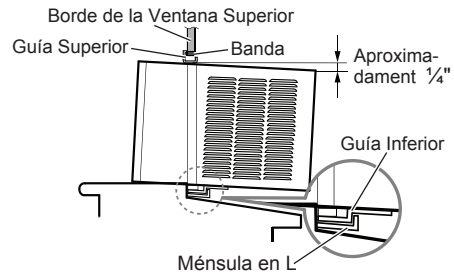
- La ménsula ayuda a que la unidad se encuentre firme. Asegúrese de poner la ménsula en L contra la parte posterior del descanso interior.

Instalación de la Unidad

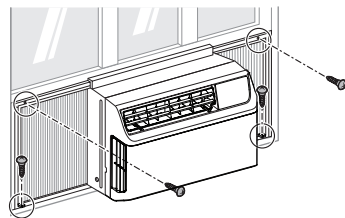
⚠ PRECAUCIÓN

- En las siguientes instrucciones, sostenga la unidad firmemente hasta que la parte corrediza de la ventana descansa sobre la parte superior del canal y por detrás del marco de los paneles corredizos. Puede haber lesiones o daños si la unidad se cae de la ventana.

- 1 Coloque el acondicionador de aire en la ventana de modo que se encuentre centrado. Coloque el acondicionador de aire de modo que el extremo frontal del montaje inferior se encuentre contra el extremo trasero del alféizar. Baje la ventana de modo que el extremo frontal del montaje superior se encuentre delante de la ventana. Asegure de que el acondicionador de aire este nivelado o apenas inclinado hacia el exterior.



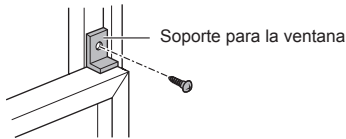
- 2 Extienda los paneles para a rellenar los orificios de la ventana usando los 4 Tipo B tornillos.



- 3** Corte la tira de espuma no adhesiva de forma que obtenga la longitud adecuada e insértela entre la ventana de guillotina superior y la inferior.



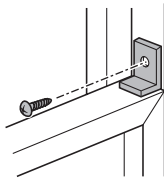
- 4** Coloque el soporte para la ventana con un tornillo de tipo A.



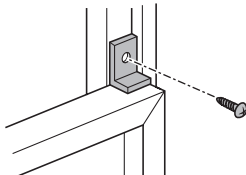
NOTA

- Ajuste la ménsula en L sobrante al marco exterior de la ventana con 1 tornillo tipo A, como se muestra en la imagen.

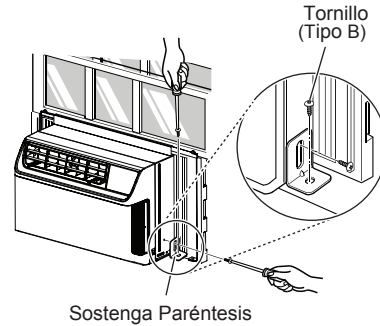
Vinil



Madera



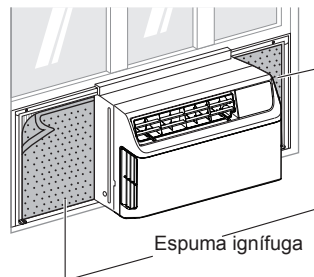
- 5** Remueva el tornillo de la esquina inferior derecha del lado de la caja y reemplacelo a través del soporte de seguridad. Amarre la sostenga paréntesis usando un tornillo que puede sacar del gabinete del aparato de aire acondicionado. Acople la sostenga paréntesis a la parte inferior de la repisa de la ventana con un Tipo B tornillo.



- 6** Corte la espuma ignífuga con cara adhesiva según el tamaño de las paneles de cortina. Quite la capa protectora de la espuma ignífuga y péguela a las paneles de cortina.

NOTA

- La espuma ignífuga mejora la capacidad de enfriar del acondicionador de aire.

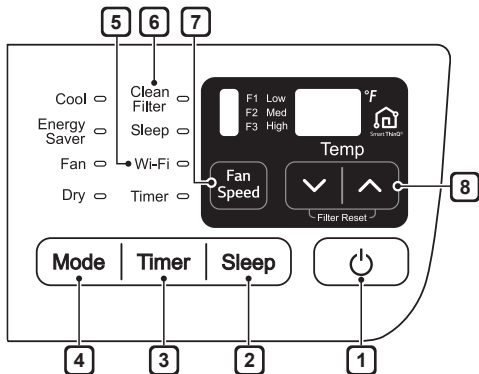


NOTA

- Consulte la sección "Datos eléctricos" para obtener información sobre cómo conectar el cable de alimentación a una toma eléctrica.

FUNCIONAMIENTO

Panel de control y control remoto



1 Power (🔌) (Alimentación)

Pulse este botón para encender o apagar el acondicionador de aire.

2 Sleep Mode (Suspensión)

Este modo reduce al mínimo el ruido que hace el aparato al funcionar y apaga dicho aparato después de un tiempo establecido. El temporizador puede configurarse para que el aparato se apague después de un tiempo que va de 1 a 7 horas.

- En el Modo Sleep, la temperatura ajustada incrementa 2°F después de 30 minutos y 2°F adicionales 30 minutos más tarde para dormir cómodamente.
- La temperatura incrementa hasta 4°F en relación al ajuste de temperatura actual.

3 Delay ON/OFF Timer (Temporizador de retraso de encendido o apagado)

Delay ON (Retraso de encendido) - cuando el acondicionador de aire esté apagado, configúrelo para que se encienda automáticamente de 1 a 24 horas después, con los ajustes previos de modo y ventilador.

Delay OFF (Retraso de apagado) - cuando el acondicionador de aire esté encendido, configúrelo para que se apague automáticamente de 1 a 24 horas después.

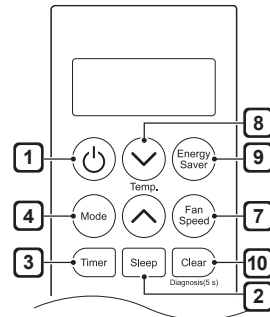
NOTA

- Cada vez que se pulsa el botón **Timer**, este avanza 1 hora. Tras la última pulsación, la pantalla vuelve al ajuste de temperatura.

4 Operation Mode (Modo de funcionamiento)

Pulse el botón **Mode** (modo) para ver sucesivamente los 4 tipos de funcionamiento del acondicionador de aire: Energy Saver (Ahorro de energía), Cool (Frío), Fan Only (Solo ventilador) y Dry (Secar).

Remote Control



Energy Saver (Ahorro de energía) - en este modo, el compresor y el ventilador se desactivan cuando se alcanza la temperatura establecida. El ventilador se activa cada 3 minutos aproximadamente para que el sensor de la unidad pueda determinar con precisión si es necesario continuar enfriando.

Cool (Frío) - este modo es ideal en días calurosos para enfriar y deshumedecer la habitación rápidamente. Utilice los botones **Temp** \wedge | \vee para establecer la temperatura deseada para la habitación y el botón **Fan Speed** para establecer la velocidad del ventilador deseada.

Fan Only (Solo ventilador) - en este modo, el ventilador hace circular el aire, pero el compresor no funciona. Utilice el botón **Fan Speed** para establecer la velocidad del ventilador en High (alta), Medium (media) o Low (baja). En este modo, no puede ajustar la temperatura establecida.

Dry (Secar) - este modo es ideal en días lluviosos y húmedos para deshumedecer la habitación en lugar de enfriarla significativamente. La combinación del funcionamiento del compresor y la velocidad del ventilador fijada en Low (baja) elimina la humedad de la habitación. El compresor y el ventilador se desactivan cuando se alcanza la temperatura establecida. En el modo Dry (secar) no se puede ajustar la velocidad del ventilador.

5 Wi-Fi

Permite conectar el acondicionador de aire al Wi-Fi doméstico.

6 Clean Filter (Limpiar filtro)

El LED Clean Filter se enciende para notificar que debe limpiarse el filtro. Tras limpiarlo, pulse **Temp** \wedge y \vee al mismo tiempo en el panel de control para apagar la luz Clean Filter (limpiar filtro).

NOTA

- El filtro debe restablecerse utilizando el panel de control, no el control remoto.
- Esta función es un recordatorio para limpiar el filtro de aire y poder utilizar el aparato de un modo más eficiente. El led se enciende tras 250 horas de uso.

7 Fan Speed (Velocidad del ventilador)

Púlselo para establecer la velocidad del ventilador en Low (baja) (F1), MED (media) (F2) o High (alta) (F3).

8 Temperature Control (Control de temperatura)

El termostato controla la temperatura de la habitación para mantener la deseada. El termostato puede ajustarse entre 60 °F–86 °F (16 °C–30 °C). Pulse las flechas \wedge o \vee para aumentar o reducir el ajuste de temperatura.

9 Energy Saver (Ahorro de energía)

En este modo, el compresor y el ventilador se desactivan cuando se alcanza la temperatura establecida. El ventilador se activa cada 3 minutos aproximadamente para que el sensor de la unidad pueda determinar con precisión si es necesario continuar enfriando.

10 Clear (Borrar)

Para cancelar los ajustes de Sleep (suspensión) y Timer (temporizador).

NOTA

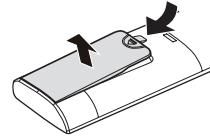
- **Auto Restart (Reinicio automático):** Si el acondicionador de aire se apaga debido a una interrupción del suministro eléctrico, se reiniciará automáticamente cuando este se restablezca, con los ajustes establecidos antes de que se apagara.
- **Energy Saver (Ahorro de energía):** La unidad entra de forma predeterminada en el modo Energy Saver (ahorro de energía) cada vez que se enciende, excepto en el modo Fan (ventilador) o cuando se restablece el suministro eléctrico tras una interrupción.
- El control remoto no funcionará correctamente si el sensor de infrarrojos de CA está expuesto directamente a la luz o si hay algún obstáculo entre el control remoto y el acondicionador de aire.

Control remoto inalámbrico

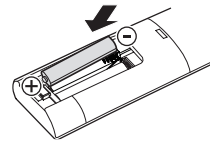
Inserción de las baterías

Si la pantalla del control remoto comienza a hacerse tenue, cambie las baterías. Coloque baterías AAA (1,5 V) antes de utilizar el control remoto.

- 1 Quite la tapa de la parte posterior del control remoto.



- 2 Coloque las baterías nuevas y asegúrese de que los polos + y - estén ubicados correctamente.

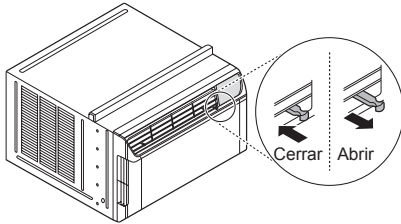


NOTA

- El acondicionador de aire incluye pilas nuevas para el control remoto.
- No utilice pilas recargables. Asegúrese de que las pilas sean nuevas.
- Para que no se descarguen, saque las pilas del mando a distancia cuando el acondicionador de aire vaya a estar un largo período sin utilizarse.
- Mantenga el control remoto alejado de lugares extremadamente cálidos o húmedos.
- Para que el mando a distancia continúe funcionando correctamente, el sensor remoto no debe exponerse directamente a la luz del sol.

Ventilación

Empuje la palanca de ventilación hacia la posición de cierre para mantener el mejor rendimiento del enfriamiento. Tire de la palanca de ventilación para abrir el orificio de ventilación y permitir que entre aire fresco en la habitación.

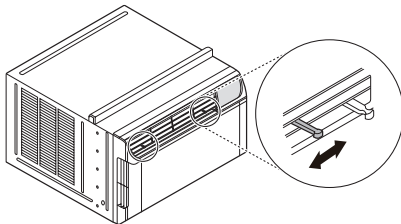


Dirección del aire

El flujo de aire puede ajustarse cambiando la dirección de las lamas del acondicionador de aire.

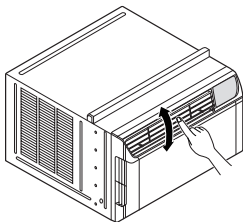
Ajuste de la dirección del flujo de aire horizontal

El flujo de aire horizontal se ajusta moviendo las palancas de las lamas verticales hacia la izquierda o hacia la derecha.



Ajuste de la dirección del flujo de aire vertical

Toque las lamas horizontales para subir o bajar el flujo de aire.



NOTA

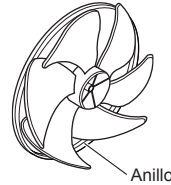
- Cuando haga mucho calor, la unidad puede apagarse automáticamente para proteger el compresor.

Funciones adicionales

Ventilador Slinger

Este acondicionador de aire está equipado con un ventilador Slinger. (Ver dibujo).

El anillo exterior del ventilador recoge el agua condensada de la bandeja base si el nivel de agua sube lo suficiente. A continuación, el ventilador recoge el agua, que se expulsa a través del condensador, haciendo más eficiente el acondicionador de aire.



FUNCIONES INTELIGENTES

Cómo usar la aplicación LG SmartThinQ

Cosas a verificar previo a utilizar LG SmartThinQ

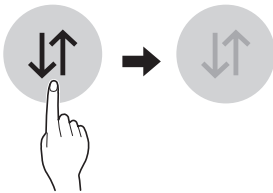
- Para electrodomésticos con el logo  .

1 Revise la distancia entre el electrodoméstico y el enrutador inalámbrico (Red Wi-Fi).

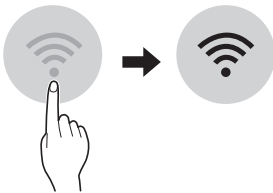
- Si la distancia entre el electrodoméstico y el enrutador inalámbrico es muy grande, la señal será débil. Puede que le tome más tiempo registrarse o que falle la instalación.

2 Desactive los **Datos Móviles** o **Datos Celulares** en su teléfono inteligente.


- Para iPhones, apague la red al dirigirse a **Configuración** → **Datos Celulares** → **Datos Celulares**



3 Conecte su teléfono inteligente al enrutador inalámbrico.




NOTA

- Para verificar la conexión Wi-Fi, revise que el ícono **Wi-Fi**  en el panel de control esté encendido.
- El electrodoméstico funciona únicamente con redes Wi-Fi de 2,4 GHz. Contacte a su proveedor de servicios de internet o verifique el manual del enrutador inalámbrico para revisar la frecuencia de su red.
- LG SmartThinQ no es responsable por ningún problema de conexión en red, falla, mal funcionamiento o error causado por la conexión de red.
- El entorno inalámbrico circundante puede hacer que el servicio de red inalámbrica funcione lentamente.
- Si el aparato tiene problemas para conectarse a la red Wi-Fi, es posible que se encuentre demasiado lejos del router. Adquiera un repetidor Wi-Fi (extensor de alcance) para mejorar la intensidad de la señal Wi-Fi.
- Es posible que la conexión de red no funcione bien por cuestiones relacionadas con su proveedor de servicios de Internet.
- Es posible que la conexión Wi-Fi no se conecte o se interrumpa debido al entorno de la red doméstica.
- Si el electrodoméstico no puede registrarse debido a problemas con la transmisión de la señal inalámbrica, desconéctelo y espere alrededor de un minuto previo a intentarlo de nuevo.
- Si el cortafuegos de su enrutador inalámbrico está activado, desactívelo o añada una excepción a éste.
- El nombre de la red inalámbrica (SSID) debe ser una combinación de letras y números. (No utilice caracteres especiales)
- La interfaz de usuario (IU) del teléfono inteligente puede variar dependiendo del sistema operativo (OS) del móvil y del fabricante.
- Puede que la configuración de red falle si el protocolo de seguridad del router está en **WEP**. Cambie el protocolo de seguridad por otro (es recomendado el **WPA2**) y registre el producto de nuevo.

Cómo instalar LG SmartThinQ

Busque la aplicación LG SmartThinQ desde la tienda Google Play o Apple App Store en un teléfono inteligente. Siga las instrucciones para descargar e instalar la aplicación.

Función Wi-Fi

- Para electrodomésticos con el logo  Comuníquese desde un Smartphone usando las características más convenientes.

Configuración

Le permite configurar varias opciones en el electrodoméstico y en la aplicación.

NOTA

- Si cambia de enrutador inalámbrico, proveedor de Internet, o contraseña, borre el electrodoméstico registrado en la aplicación LG SmartThinQ y proceda a registrarlo de nuevo.
- La aplicación está sujeta a cambios con propósito de mejoras en el electrodoméstico sin previo aviso a los usuarios.
- Algunas características pueden variar dependiendo del modelo.

Smart Diagnosis™ (Diagnóstico Inteligente) Usando un Teléfono Inteligente

Utilice esta función si desea un diagnóstico efectivo por parte del centro de información al cliente de LG Electrónicos cuando el electrodoméstico falle.

Smart Diagnosis™ (Diagnóstico Inteligente) no puede ser activado a menos que el electrodoméstico esté conectado a la electricidad. Si no es posible encender el electrodoméstico, entonces la resolución de problemas debe llevarse a cabo sin usar Smart Diagnosis™.

NOTA

- Asegúrese de mantener el ruido ambiental al mínimo o el teléfono no podrá recibir correctamente las señales sonoras de la unidad interior.
- Cuando está conectado a la unidad Multi Outdoor, esta función puede no ser compatible.

Especificaciones módulo LAN inalámbrico

Modelo	LCW-003
Rango de frecuencia	2412~2462 MHz
Potencia de Salida (Máx)	IEEE 802.11 b : 17.56 dBm IEEE 802.11 g : 25.53 dBm IEEE 802.11 n : 25.29 dBm

Aviso de la FCC (para el módulo transmisor contenido en este producto)

- Este equipo fue probado y se determinó que cumple con los límites para los dispositivos digitales de Clase B, en conformidad con la parte 15 de las normas de la FCC. Estos límites están diseñados para ofrecer una protección razonable contra interferencias dañinas en una instalación residencial. Este equipo genera, usa y puede emitir energía de radiofrecuencia y, si no se instala y utiliza de acuerdo con las instrucciones, podría causar interferencias dañinas a las comunicaciones por radio. Sin embargo, no se garantiza que dicha interferencia no pueda ocurrir en instalaciones particulares. Si este equipo causa interferencia dañina a la recepción de radio o televisión, que se puede determinar encendiendo y apagando el equipo, se aconseja al usuario intentar corregir la interferencia realizando alguna de las siguientes acciones:
- Reorientar o reubicar la antena receptora.
- Aumentar la separación entre el equipo y el receptor.
- Conectar el equipo a una toma de corriente en un circuito diferente del utilizado por el receptor.
- Consultar al vendedor o a un técnico de radio/TV con experiencia para solicitar ayuda.

Este dispositivo cumple con la parte 15 de las normas de la FCC. La operación está sujeta a las dos siguientes condiciones:

- 1) Este dispositivo no debe causar interferencia dañina, y
- 2) Este dispositivo debe aceptar cualquier interferencia recibida, incluso aquellas que pudieran causar un funcionamiento no deseado del dispositivo.

Cualquier cambio o modificación en la construcción de este dispositivo que no cuente con la aprobación expresa de la parte responsable del cumplimiento, puede anular la autorización del usuario para operar este equipo.

Declaración sobre exposición a la radiación de RF de la FCC

Este equipo cumple con los límites de exposición a la radiación de la FCC establecidos para entornos no controlados. Este transmisor no se debe ubicar ni operar junto con ninguna otra antena ni transmisor.

El equipo se debe instalar y operar con una distancia mínima de 20 cm (7,8 pulg.) entre la antena y su cuerpo. Los usuarios deben seguir las instrucciones de operación específicas de manera tal de cumplir con las normas de exposición a la RF.

Información de anuncio de programas de código abierto

Para obtener el código fuente bajo GPL, LGPL, MPL y otras licencias de código abierto que contiene este producto, visite <http://opensource.lge.com>. Además del código fuente, se pueden descargar los términos de la licencia, las anulaciones de la garantía y los avisos de derechos de autor.

LG Electronics también le proporcionará el código abierto en un CD-ROM por un costo que cubra los gastos de dicha distribución (como el costo del medio, del envío y de la manipulación) una vez realizado el pedido por correo electrónico a la dirección opensource@lge.com. Esta oferta es válida solo durante un período de tres años después de que se envíe el último cargamento de este producto. Esta oferta es válida para todo aquel que reciba esta información.

MANTENIMIENTO



ADVERTENCIA

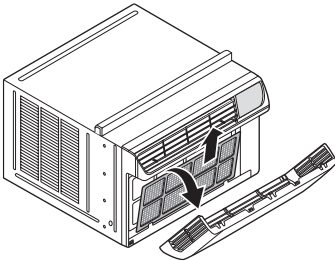
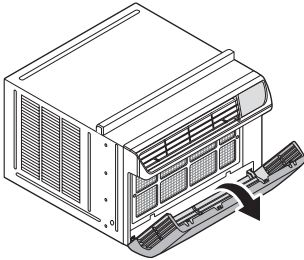
Antes de limpiar o realizar el mantenimiento, desconecte el suministro de electricidad y espere que el ventilador se detenga.

Filtro de aire

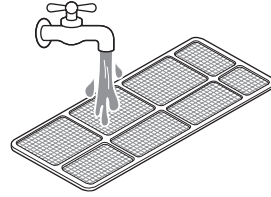
Revise el filtro de aire al menos dos veces al mes para comprobar si es necesaria su limpieza. Las partículas atrapadas en el filtro pueden acumularse y bloquear el flujo de aire, lo que reduce la capacidad de enfriar y ocasiona una acumulación de escarcha en el evaporador.

Limpieza del filtro de aire

- 1 Quite el filtro de aire de la rejilla delantera tirando de él hacia adelante y, a continuación, ligeramente hacia arriba.



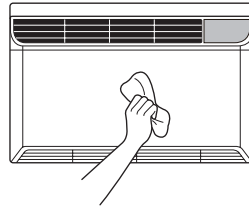
- 2 Lave el filtro con agua tibia a menos de 40 °C (104 °F).



- 3 Sacuda suavemente el filtro para eliminar el exceso de agua y vuelva a colocarlo.
- 4 Seque el filtro a la sombra.
- 5 Introduzca el filtro en la rejilla delantera.

Limpieza del acondicionador de aire

- Limpie la rejilla delantera y la rejilla de entrada con un paño humedecido en una solución de detergente suave.
- Lave la carcasa con jabón o detergente suaves y agua tibia y, a continuación, púlala utilizando cera líquida para aparatos.



NOTA

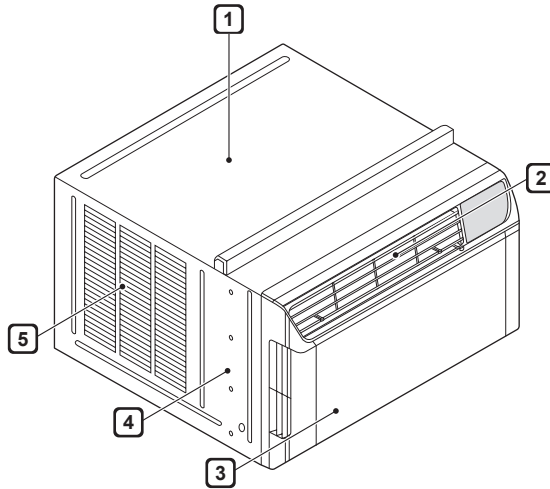
- Para garantizar siempre la máxima eficiencia, las bobinas del condensador (fuera de la unidad) deben revisarse periódicamente y limpiarse si están obstruidas por hollín o suciedad procedentes del aire exterior.
- Para las reparaciones y el mantenimiento, póngase en contacto con un Centro de servicio técnico autorizado. Si desea más información, consulte la página de la garantía o llame al 1-800-243-0000. Tenga a mano el número de modelo y el de serie. Deben estar escritos en la página 27 de este manual.

SOLUCIÓN DE PROBLEMAS

Antes de llamar al servicio técnico

El artefacto está equipado con un sistema automático de monitoreo de errores para detectar y diagnosticar problemas en una etapa temprana. Si el artefacto no funciona adecuadamente o si no funciona en absoluto, verifique lo siguiente antes de solicitar servicio técnico.

Sonidos Normales Que Puede Escuchar



1 Sonidos agudos

Los actuales compresores de alta eficiencia pueden emitir sonidos agudos durante el ciclo de refrigeración.

2 Sonido de corriente de aire

En la parte delantera de la unidad puede escuchar el sonido de la corriente de aire producida por el ventilador.

3 Gorgoteo o silbido

Puede escucharse ruido de gorgoteo o silbido cuando el refrigerante pasa por el evaporador durante el funcionamiento normal.

4 Vibración

La unidad puede vibrar y hacer ruido debido a una mala construcción de la pared o la ventana o a una instalación incorrecta.

5 Tintineo o silbido

Las gotas de agua que caen sobre el condensador durante el funcionamiento normal pueden causar sonidos de tintineo o silbido.

Problema	Causa posible	Soluciones
El acondicionador de aire no se inicia.	El aire acondicionado está desenchufado.	Asegúrese de que el enchufe del acondicionador de aire esté completamente introducido en la toma.
	El fusible se ha fundido o el disyuntor se ha activado.	Revise la caja de fusibles o de disyuntores de la casa y sustituya el fusible o restablezca el disyuntor.
	Interrupción del suministro eléctrico.	Si se interrumpe el suministro eléctrico, ajuste el control de modo en Off (apagado). Cuando se restablezca el suministro eléctrico, espere 3 minutos para reiniciar el acondicionador de aire; así evitará la sobrecarga del compresor.
	El interruptor de corriente se ha activado.	Pulse el botón RESET del enchufe del cable de alimentación. Si el botón RESET no permanece pulsado, deje de utilizar el acondicionador de aire y póngase en contacto con un técnico de servicio cualificado.
El acondicionador de aire no enfría como debería.	El flujo de aire está limitado.	Asegúrese de que no haya cortinas, persianas ni muebles que bloqueen la parte delantera del acondicionador de aire.
	Es posible que el control de temperatura no esté correctamente ajustado.	Configure la temperatura deseada en un nivel inferior que la temperatura actual.
	El filtro de aire está sucio.	Limpie el filtro al menos cada 2 semanas. Consulte la sección "MANTENIMIENTO" y servicio técnico.
	Es posible que en la habitación haya hecho calor.	La primera vez que se enciende el acondicionador de aire transcurre algún tiempo hasta que la habitación se enfría.
	El aire frío se escapa.	Revise las rejillas del suelo abiertas y el retorno de aire frío.
	Las bobinas de enfriamiento se han congelado.	Consulte más arriba "El acondicionador de aire se congela".
El acondicionador de aire se congela.	Las bobinas de enfriamiento se han helado.	El hielo puede bloquear el flujo de aire e impedir que el acondicionador de aire enfríe adecuadamente la habitación. Ajuste el control de modo en High Fan o High Cool .
Gotea agua en el exterior.	Tiempo caluroso y húmedo.	Esto es normal.

Problema	Causa posible	Soluciones
Gotea agua en el interior.	El acondicionador de aire no está inclinado hacia el exterior.	Para que el agua se elimine correctamente, asegúrese de que el acondicionador de aire se incline ligeramente desde la carcasa hacia la parte posterior.
Se acumula agua en la bandeja base.	La humedad eliminada del aire se acumula en la bandeja base.	Esto es normal durante períodos breves en zonas con poca humedad; es normal durante períodos más prolongados en zonas muy húmedas.
El acondicionador de aire se enciende y apaga rápidamente.	Filtro de aire sucio: aire limitado.	Limpie el filtro de aire.
	Temperatura exterior extremadamente alta.	Consulte las instrucciones de instalación o al instalador.
Hay ruido cuando la unidad enfría.	Sonido de movimiento de aire.	Esto es normal. Si es demasiado alto, seleccione un ajuste más lento de la velocidad del VENTILADOR.
	Vibración de la ventana: instalación incorrecta.	Consulte las instrucciones de instalación o al instalador.
La habitación está demasiado fría.	La temperatura establecida es demasiado baja.	Aumente la temperatura establecida.
No puedo conectar la aplicación LG SmartThinQ al acondicionador de aire.	El acondicionador de aire está apagado.	Encienda el aire acondicionado.
	El router inalámbrico está apagado.	Encienda el router.
El acondicionador de aire no se conecta al Wi-Fi.	El router Wi-Fi está demasiado lejos del acondicionador de aire.	Acerque el router al acondicionador de aire o adquiera e instale un repetidor wifi (amplificador de señal).
	No tiene permiso para utilizar el router o este es incompatible.	Asegúrese de seleccionar el router inalámbrico correcto en la lista. El router debe tener un ancho de banda de 2,4 GHz.

NOTA

- Puede obtener más información sobre el programa Energy Star en www.energystar.gov.
- Si ve "CH" en la pantalla, llame al 1-800-243-0000.

Wi-Fi

Problema	Causa posible	Soluciones
Problema al conectar el electrodoméstico y el teléfono inteligente a la red Wi-Fi.	La contraseña de la red Wi-Fi fue ingresada incorrectamente.	Borre su red Wi-Fi doméstica e inicie el proceso de registro de nuevo.
	Los Datos Móviles para su teléfono inteligente están activados.	Desactive los Datos Móviles en su teléfono inteligente previo a registrar el electrodoméstico.
	El nombre de la red inalámbrica (SSID) se ha configurado incorrectamente.	El nombre de la red inalámbrica (SSID) debe ser una combinación de letras y números. (No utilice caracteres especiales)
	La frecuencia del enrutador no es de 2,4 GHz.	Sólo se admite una frecuencia de enrutador de 2,4 GHz. Configure el enrutador inalámbrico a 2,4 GHz y conecte el electrodoméstico a éste. Para verificar la frecuencia del enrutador, consulte con su proveedor de servicios de internet o con el fabricante del enrutador.
	La distancia entre el enrutador y el electrodoméstico es muy grande.	Si el electrodoméstico se encuentra muy lejos del enrutador, puede que la señal sea débil y que la conexión no sea configurada correctamente. Coloque el enrutador más cerca del electrodoméstico o compre e instale un repetidor Wi-Fi.

GARANTÍA

AVISO DE ARBITRAJE: ESTA GARANTÍA LIMITADA CONTIENE UNA CLÁUSULA DE ARBITRAJE QUE LE DEMANDA A USTED Y A LG RESOLVER CONFLICTOS A TRAVÉS DE UN ARBITRAJE VINCULANTE EN LUGAR DE HACERLO EN LA CORTE, A MENOS QUE USTED DECIDA NO PARTICIPAR. EN EL ARBITRAJE NO ESTÁN PERMITIDAS LAS ACCIONES COLECTIVAS NI LOS JUICIOS CON JURADO. POR FAVOR, VEA A CONTINUACIÓN LA SECCIÓN TITULADA "PROCEDIMIENTO PARA RESOLVER CONFLICTOS".

COBERTURA DE LA GARANTÍA:

LG Electronics Inc. ("LG") garantiza que reparará o sustituirá, gratuitamente, su producto si resulta defectuoso en materiales o mano de obra bajo condiciones normales de uso durante el periodo de garantía mencionado más abajo, efectivo a partir de la fecha de compra del producto original por parte del consumidor. Esta garantía limitada sólo es válida para el comprador original del producto y no es asignable ni transferible a ningún otro comprador o usuario final subsecuentes, y efectiva únicamente cuando el producto se compra a través de un distribuidor autorizado de LG y se utiliza en los Estados Unidos ("EE UU") o en cualquiera de sus territorios.

NOTA

- Los recambios y piezas de repuesto pueden ser nuevos o estar reconstruidos de fábrica y están garantizados durante el tiempo restante del periodo de garantía de la unidad original o noventa días (90), el periodo de los dos que sea más largo. Por favor, guarde el recibo de compra o la nota de entrega como prueba de la fecha de compra como comprobante de garantía (se le puede pedir que presente una copia a LG o a su representante autorizado).

PERÍODO DE GARANTÍA:

1 año desde la fecha de compra: **Cualquier repuesto interno/funcional y mano de obra**

CÓMO SE MANEJA EL SERVICIO TÉCNICO: Servicio a domicilio

Los servicios a domicilio se prestarán durante el periodo de garantía sujeto a disponibilidad en los Estados Unidos. El servicio a domicilio puede no estar disponible en todas las áreas. Para recibir asistencia técnica a domicilio, el producto debe estar en un entorno despejado y accesible al personal técnico. Si durante el servicio a domicilio la reparación no se puede llevar a cabo, es posible que sea necesario desplazarlo a nuestras instalaciones, repararlo y devolverlo a su hogar. Si este fuera el caso, LG puede optar, a petición nuestra, a utilizar el transporte de nuestra elección para desplazar la unidad al y del centro de servicio autorizado de LG.

ESTA GARANTÍA LIMITADA NO CUBRE LO SIGUIENTE:

- Las visitas de Asistencia a domicilio para entregar, recoger y/o instalar el producto, instruir o sustituir fusibles.
- Sustitución de fusibles de la casa o reajuste de interruptores de circuito, la corrección del cableado de la casa o de la tubería, o la corrección de la instalación del producto.
- Los daños o averías causados por fugas / roturas / congelación de tuberías de agua, líneas de drenaje restringido, suministro insuficiente de agua o interrumpido, o suministro insuficiente de aire.
- Los daños o averías causados por accidentes, plagas e insectos, rayos, viento, fuego, inundaciones o actos de Dios.
- Los daños o fallos ocasionados por el mal uso, abuso, instalación inadecuada, reparación o mantenimiento. Se considera reparación inadecuada aquella en que se hayan utilizado piezas no aprobadas o especificadas por LG.
- Los daños o averías causados por modificaciones no autorizadas o alteraciones del producto.
- Daños o fallos causados por corriente o voltaje eléctrico incorrecto, o por códigos de fontanería.

- Daños estéticos, incluyendo arañazos, abolladuras, desportilladuras u otros daños en el acabado del producto, a menos que dichos daños sean el resultado de defectos en los materiales o mano de obra y se informe a LG en el plazo de siete días naturales (7) a partir de la fecha de entrega.
- Daños o artículos faltantes a productos reacondicionados, comprados con descuento, con la caja abierta o que hayan estado en exhibición.
- Los productos cuyos números de serie de fábrica originales hayan sido quitados, borrados o cambiados de ninguna manera.
- Las reparaciones cuando el producto se utiliza para cualquier cosa fuera de lo normal y del uso doméstico habitual (por ejemplo su alquiler, uso comercial, en oficinas o en instalaciones de ocio) o en contra de la instrucciones que se indican en el manual del propietario.
- La extracción y reinstalación del producto si está instalado en un lugar inaccesible.

ESTA GARANTÍA SE OTORGA EN SUSTITUCIÓN O EXCLUSIÓN DE TODA OTRA GARANTÍA, EXPRESA O IMPLÍCITA, INCLUYENDO SIN LIMITAR CUALQUIER GARANTÍA DE CALIDAD O IDONEIDAD CON UN PROPÓSITO CONCRETO. EN LA MEDIDA EN QUE CUALQUIER GARANTÍA IMPLÍCITA ES OBLIGADA POR LA LEY, ESTÁ LIMITADA EN DURACIÓN AL PERIODO DE GARANTÍA YA MENCIONADO. LA REPARACIÓN O REEMPLAZO DE PIEZAS, SEGÚN LO ESTABLECIDO EN ESTA GARANTÍA, ES EL ÚNICO QUE PUEDE RECLAMAR EL CLIENTE. NI EL FABRICANTE NI SU DISTRIBUIDOR EN LOS EE.UU. SE HACE RESPONSABLE DE CUALQUIER DAÑO (DERIVADO, INDIRECTO, ESPECIAL O PENAL) DE CUALQUIER NATURALEZA, INCLUYENDO, SIN LIMITACION, LA PÉRDIDA DE INGRESOS O BENEFICIOS O CUALQUIER OTRO TIPO DE DAÑO, AÚN BASADO EN UN CONTRATO, SEA UN AGRAVIO O DE CUALQUIER OTRA MANERA.

Algunos estados no permiten la exclusión o limitación de daños incidentales o emergentes, o limitaciones a la duración de la garantía implícita, por lo que la exclusión o limitación anteriormente mencionadas podrían no corresponder en su caso. Esta garantía le otorga derechos legales específicos y es posible que usted cuente con otros derechos que varían según el estado.

COMO OBTENER EL SERVICIO DE ESTA GARANTÍA E INFORMACIÓN ADICIONAL:

Llame al 1-800-243-0000 o visite nuestra página web: www.lg.com.

Dirección de correo ordinario: LG Customer Information Center (ATTN: CIC)
201 James Record Road, Huntsville, AL 35824

PARA SUS REGISTROS

Anote aquí los números de modelo y de serie:

N.º de modelo

N.º de serie

- Los encontrará en la etiqueta del lateral de cada unidad.

Nombre del distribuidor

Fecha de compra

- Grape el recibo a esta página si lo necesita para demostrar la fecha de compra o para cuestiones relacionadas con la garantía.

PROCEDIMIENTO PARA RESOLVER CONFLICTOS:

TODOS LOS CONFLICTOS ENTRE USTED Y LG QUE SURJAN FUERA DE O RELACIONADOS DE ALGUNA MANERA CON ESTA GARANTÍA LIMITADA O CON EL PRODUCTO, SE RESOLVERÁN EXCLUSIVAMENTE A TRAVÉS DE UN ARBITRAJE VINCULANTE Y NO EN UNA CORTE DE JURISDICCIÓN GENERAL. ARBITRAJE VINCULANTE SIGNIFICA QUE USTED Y LG RENUNCIAN AL DERECHO DE UN JUICIO CON JURADO Y A REALIZAR O PARTICIPAR EN UNA DEMANDA COLECTIVA.

Definiciones. Para el propósito de esta sección, las referencias a "LG" significan: LG Electronics U.S.A., Inc., sus empresas matrices, subsidiarias y filiales y cada uno de sus directivos, directores, empleados, agentes, beneficiarios, predecesores en interés, sucesores, cesionarios y proveedores; las referencias a "conflicto" o "reclamación" incluirán cualquier conflicto, reclamo o controversia de cualquier tipo, sin importar (ya sea basado en contrato, agravio, estatuto, regulación, ordenanza, fraude, falsa representación o cualquier teoría legal o equitativa) que surja de o esté relacionada con cualquier forma de venta, condición o desempeño del producto o de esta Garantía Limitada.

Aviso de disputa. En caso de que usted desee iniciar un procedimiento de arbitraje, primero debe notificar a LG por escrito al menos 30 días antes de iniciar el arbitraje enviando una carta a LG a LG Electronics, USA, Inc. Atención: Legal Department- Arbitration 1000 Sylvan Ave, Englewood Cliffs 07632. Usted y LG aceptan participar en discusiones de buena fe en un intento de resolver su reclamo de manera amistosa. En la carta debe proporcionar su nombre, dirección y número de teléfono; identificar el producto que es objeto de la reclamación; y describir la naturaleza del reclamo y el remedio que busca. Si usted y LG no pueden resolver la disputa dentro de 30 días, cualquiera de las partes puede proceder a presentar una demanda de arbitraje.

Acuerdo de arbitraje vinculante y renuncia de demanda colectiva. En caso de no resolver la disputa durante el período de 30 días después de enviar una notificación por escrito a LG, Usted y LG se comprometen a resolver cualquier reclamo entre nosotros, solamente a través de arbitraje vinculante sobre una base individual, a menos que usted se excluya, conforme a lo dispuesto a continuación. Cualquier conflicto entre usted y LG no estarán combinados o consolidados con una controversia relacionada con cualquier otro producto o reclamo de otra persona o entidad. Más específicamente y sin perjuicio de lo anterior, no procederá bajo ninguna circunstancia cualquier disputa entre usted y LG como parte de una acción colectiva o representativa. En lugar del arbitraje, cualquiera de las partes podrá iniciar una acción individual en la corte de reclamos menores, pero tales acciones en la corte de reclamos menores no podrán ser realizadas en una acción colectiva o representativa.

Normas y procedimientos de arbitraje. Para comenzar con el arbitraje de un reclamo, usted o LG deben realizar una demanda escrita para arbitraje. El arbitraje será administrado por la Asociación Americana de Arbitraje (AAA) y se llevará a cabo ante un árbitro único bajo las Normas de Arbitraje del Consumidor de la AAA, que tienen efecto al momento de inicio del arbitraje (en adelante "Normas de la AAA") y bajo los procedimientos establecidos en esta sección. Las Normas de la AAA están disponibles en línea en www.adr.org/consumer. Envíe una copia de su solicitud de arbitraje por escrito, así como una copia de esta disposición, a la AAA de la forma descrita en las Normas de la AAA. También debe enviar una copia de su solicitud por escrito a LG en LG Electronics, USA, Inc. Atención: Legal Department- Arbitration 1000 Sylvan Ave, Englewood Cliffs 07632. Si hay un conflicto entre las Normas de la AAA y las reglas establecidas en esta sección, prevalecerán dichas reglas de esta sección. Esta disposición de arbitraje se rige por la Ley Federal de Arbitraje. El juicio se puede introducir en el laudo arbitral en cualquier tribunal de jurisdicción competente. Todos son temas para que el árbitro tome sus decisiones, excepto aquellos asuntos relativos al alcance y aplicabilidad de la cláusula de arbitraje y de la capacidad de arbitraje de la controversia para que el tribunal decida. El árbitro se regirá por los términos de esta disposición.

Legislación vigente. La legislación del estado de su residencia regirá esta Garantía Limitada, así como todas las disputas entre nosotros, salvo que sea invalidada o inconsistente con leyes federales aplicables.

Tarifas / Costos. Usted no debe pagar ninguna tarifa para comenzar un arbitraje. Al recibir su solicitud de arbitraje por escrito, LG pagará todos los gastos administrativos rápidamente a la AAA, a menos que usted solicite más de \$25,000.00 por daños, en cuyo caso el pago de estos gastos se registrará por las Normas de la AAA. Salvo disposición contraria prevista en el presente documento, LG pagará a la AAA todos los gastos documentales, administrativos y de arbitraje para cualquier arbitraje iniciado, de conformidad con las Normas de la AAA y esta disposición de arbitraje. Si usted prevalece en el arbitraje, LG pagará los honorarios y gastos de sus abogados, siempre y cuando sean razonables, considerando factores que incluyen, entre otros, el monto de la compra y el monto del reclamo. No obstante lo anterior, si la ley aplicable permite una adjudicación de honorarios y gastos razonables de abogados, un árbitro puede otorgarlos en la misma medida que lo haría un tribunal. Si el árbitro considera que la sustancia de su reclamo o la reparación solicitada en la demanda es frívola o se utiliza para un propósito inadecuado (calificado según las normas establecidas en la Norma Federal de Procedimiento Civil 11 (b)), el pago de todos los honorarios de arbitraje se registrará por las Normas de la AAA. En tal situación usted se compromete a reembolsar a LG todos los fondos erogados previamente por ella, cuyo pago es, por otra parte, su obligación, según las Normas de la AAA. Salvo disposición contraria, LG renuncia a cualquier derecho que pudiera tener para solicitarle los honorarios y gastos de sus abogados, si LG prevalece en el arbitraje.

Audiencias y ubicación. Si su reclamo es por \$25,000 o menos, usted puede optar que el arbitraje sea realizado únicamente sobre la base de: (1) documentos presentados al árbitro, (2) a través de una audiencia telefónica o (3) por una audiencia en persona, según lo establecido por las Normas de la AAA. Si su reclamo excede \$25,000, el derecho a una audiencia estará determinado por las Normas de la AAA. Cualquier audiencia de arbitraje en persona se realizará en un lugar dentro del distrito judicial federal en el cual resida, a menos que ambos acuerden otra ubicación o estemos de acuerdo con el arbitraje telefónico.

Exclusión. Usted puede quedarse fuera de este procedimiento de resolución de la disputa. Si se excluye, ni usted ni LG pueden solicitar al otro que participe en un procedimiento de arbitraje. Para excluirse usted debe enviar una notificación a LG, en un lapso de hasta 30 días continuos, contados a partir de la fecha de la primera compra del consumidor del producto, ya sea por: (i) el envío de un correo electrónico a optout@lge.com con el siguiente Asunto: "Exclusión del arbitraje" o (ii) llamada al 1-800-980-2973. Debe incluir en el correo electrónico de exclusión o suministrar por teléfono: (a) su nombre y dirección; (b) la fecha en la cual el producto fue comprado; (c) el nombre o el número del modelo del producto; y (d) el número del serial (el número del serial puede ser hallado (i) en el producto, o (ii) en la dirección de <https://www.lg.com/us/support/repair-service/schedule-repair-continued> al hacer clic en "Find My Model & Serial Number").

Sólo puede excluirse del procedimiento de resolución de conflictos en la forma descrita anteriormente (es decir, por correo electrónico o por teléfono); ninguna otra forma de notificación será efectiva para hacerlo. Excluirse de este procedimiento de resolución de controversias no afectará de ninguna manera la cobertura de la Garantía Limitada, por lo que usted continuará disfrutando de todos sus beneficios. Si conserva este producto y no se excluye, usted acepta todos los términos y condiciones de la cláusula de arbitraje descrita anteriormente.



LG Electronics Inc.
1000 Sylvan Ave., Englewood Cliffs, NJ 07632

LG Customer Information Center

1-800-243-0000

Register your product Online!

www.lg.com