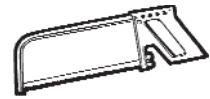
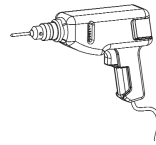
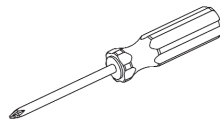
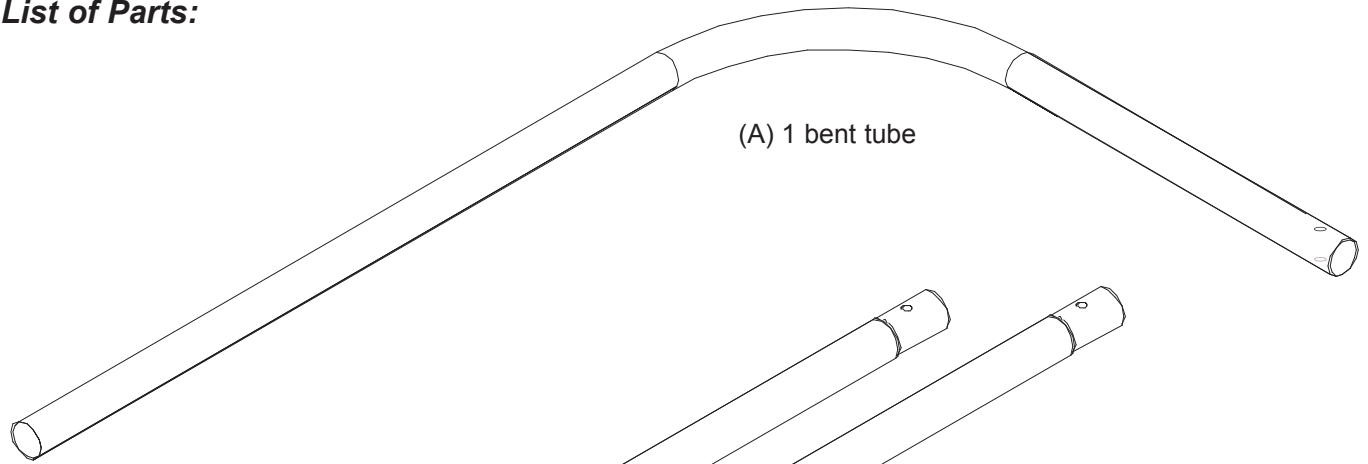


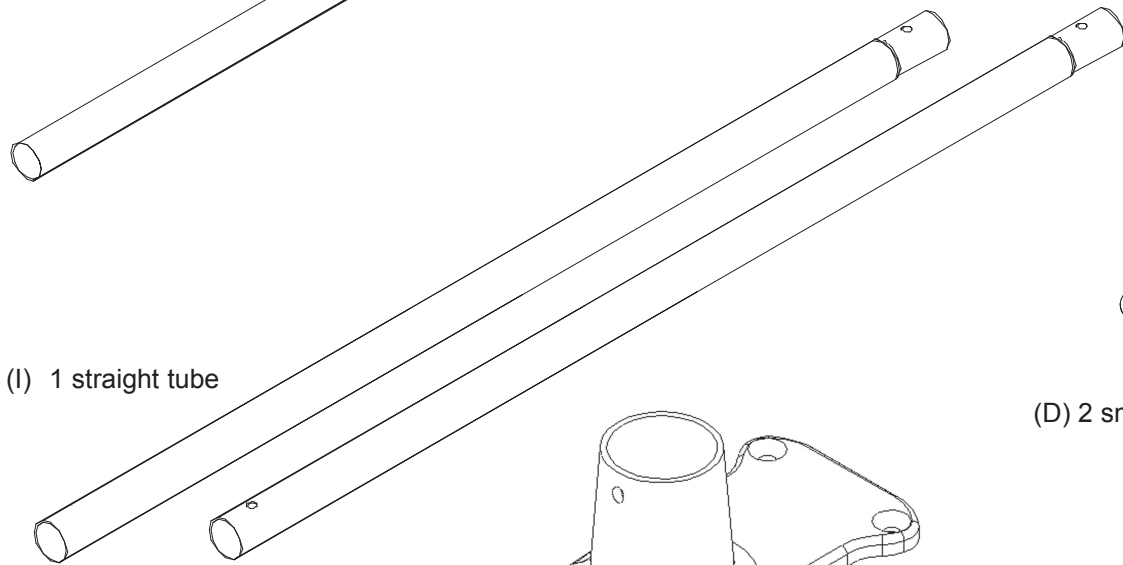
**Tools Needed:**



**List of Parts:**



(A) 1 bent tube

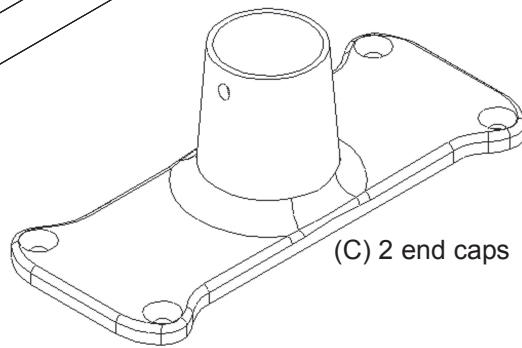


(I) 1 straight tube

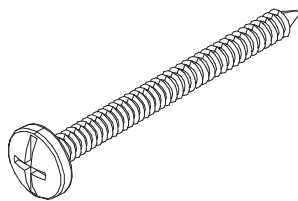
(B) 1 straight tube



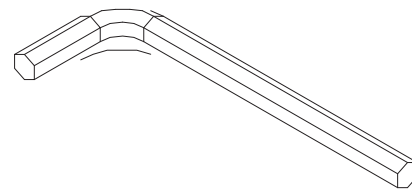
(D) 2 small screws



(C) 2 end caps



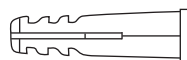
(F)



(H) 1 allen wrench for use with set screw (E)



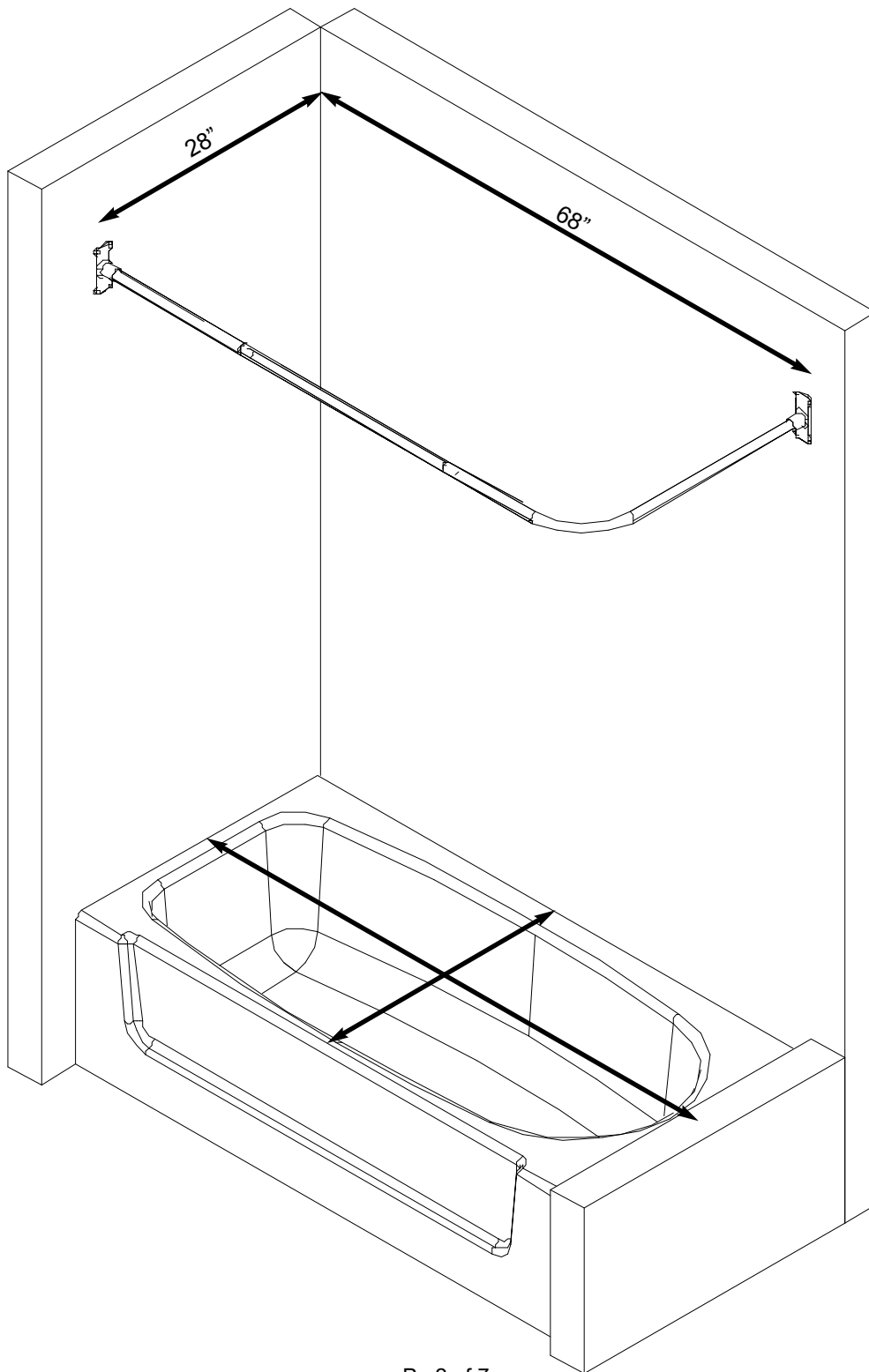
(E) 4 set screws



(G) 8 wall anchors

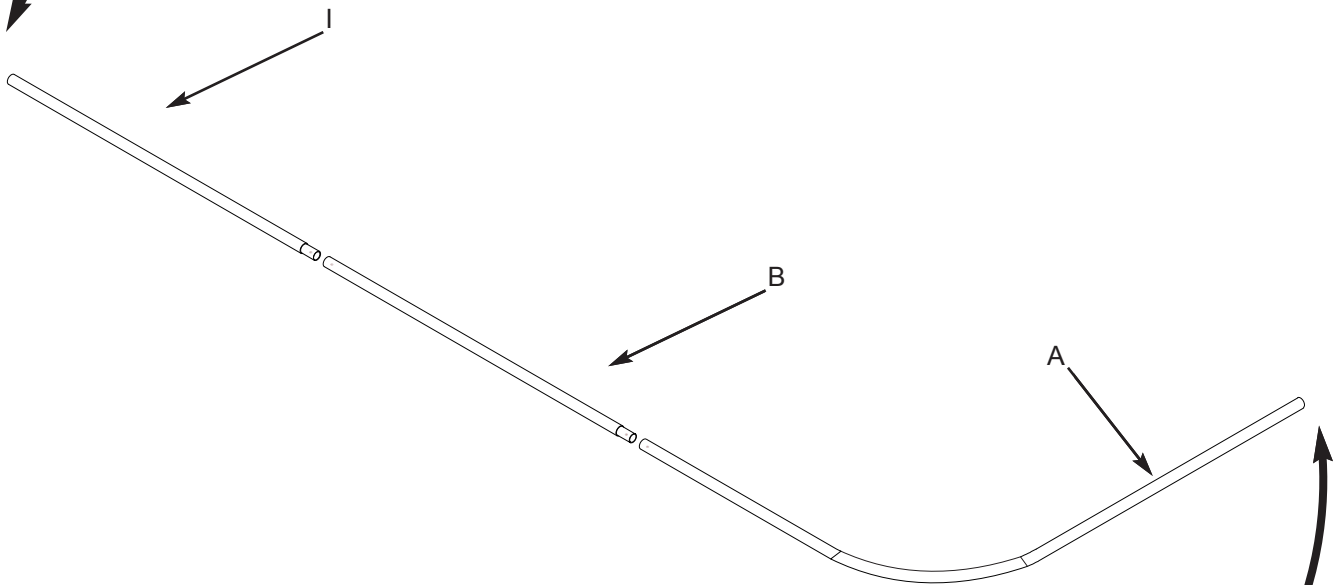
Thank you for purchasing Utopia Alley Products. Please contact us if you have difficulty with assembly or need replacement parts. Utopia Alley customer service is here to assist you.  
Email: [CustomerService@utopiaalley.com](mailto:CustomerService@utopiaalley.com)  
Please attach your name and Order ID so that we can assist you better .

1. This shower rod is 68" long and 28" deep.  
Measure your bath tub from back wall to approximate center of bath tub lip as shown.  
Measure bath tub from side wall to approximate center of bath tub lip as shown. Compare your bath tub measurements to the shower rod measurements.



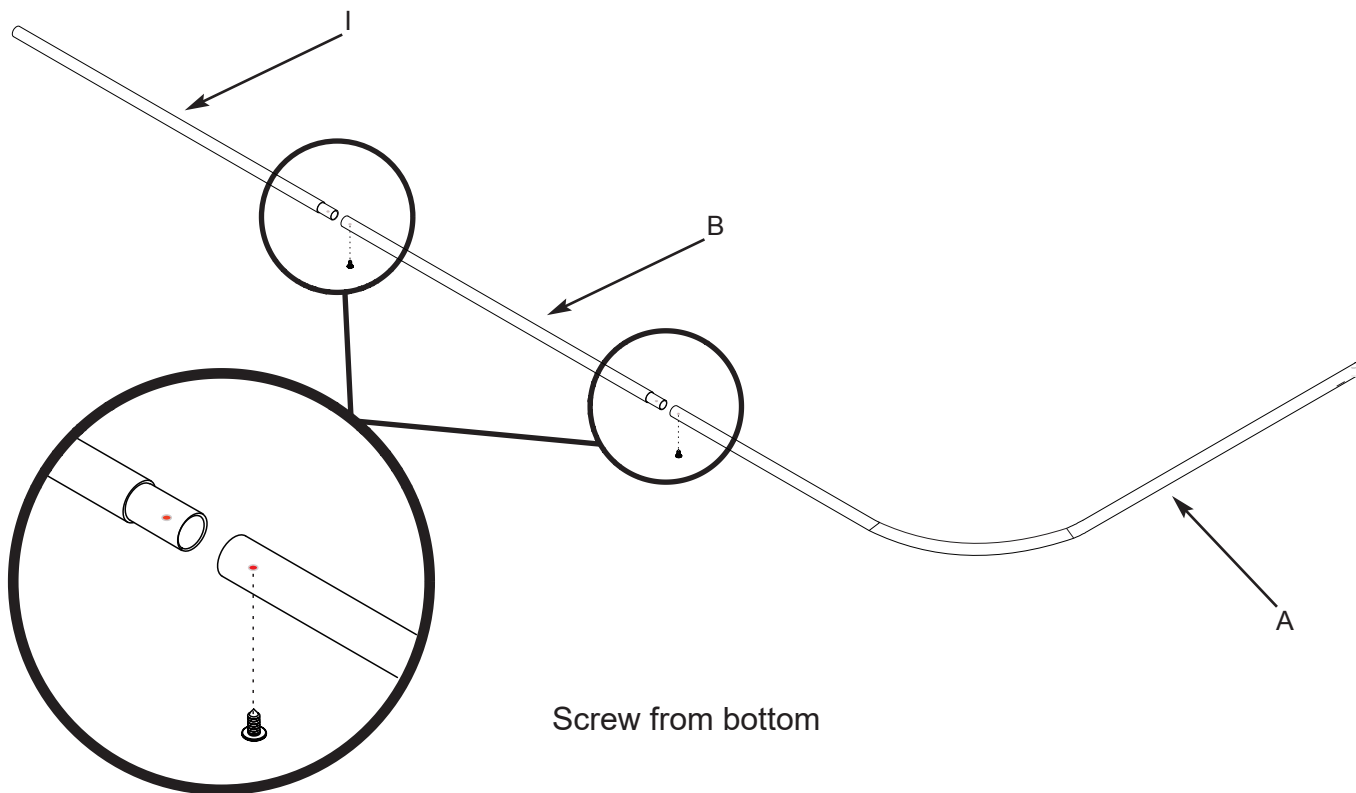
2. Using a hacksaw, cut off any extra length of tube as shown below. **IMPORTANT:** Be sure to cut on the **non-tapered** end of straight tube (I) . Be sure to cut on the **longer side** of the curved tube (A).

**If shortening the length of the shower rod:**  
Be sure to cut on the **non-tapered** end of straight tube (I) . (This end of the tube will go into the end cap.)

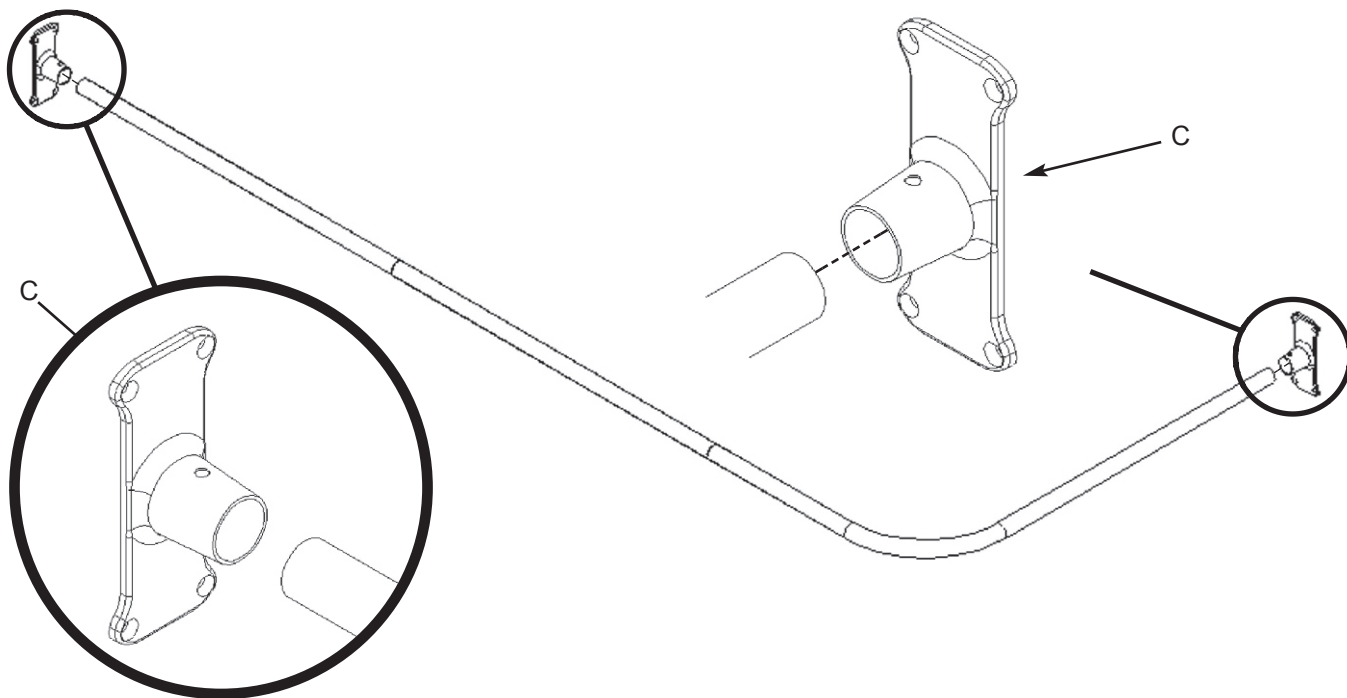


**If shortening the depth of the shower rod:**  
Be sure to cut on the **longer side** of the curved tube (A).  
(This end of the tube will go into the end cap.)

3. Insert the tapered ends of the tubes into the non-tapered ends as shown and line up the holes (by turning one of the tubes). Fasten the 3 tubes together. **DO NOT OVERTIGHTEN!**



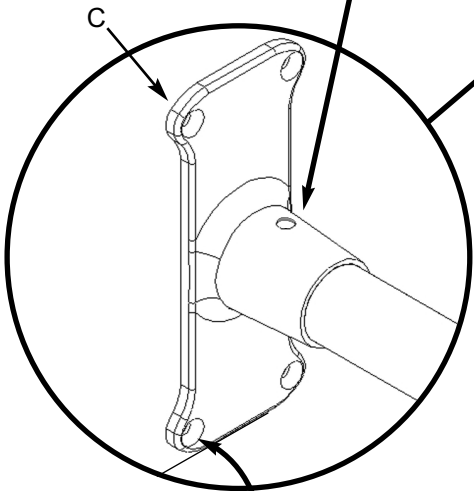
4. Slide end caps (C) onto the ends of the tube assembly as shown.



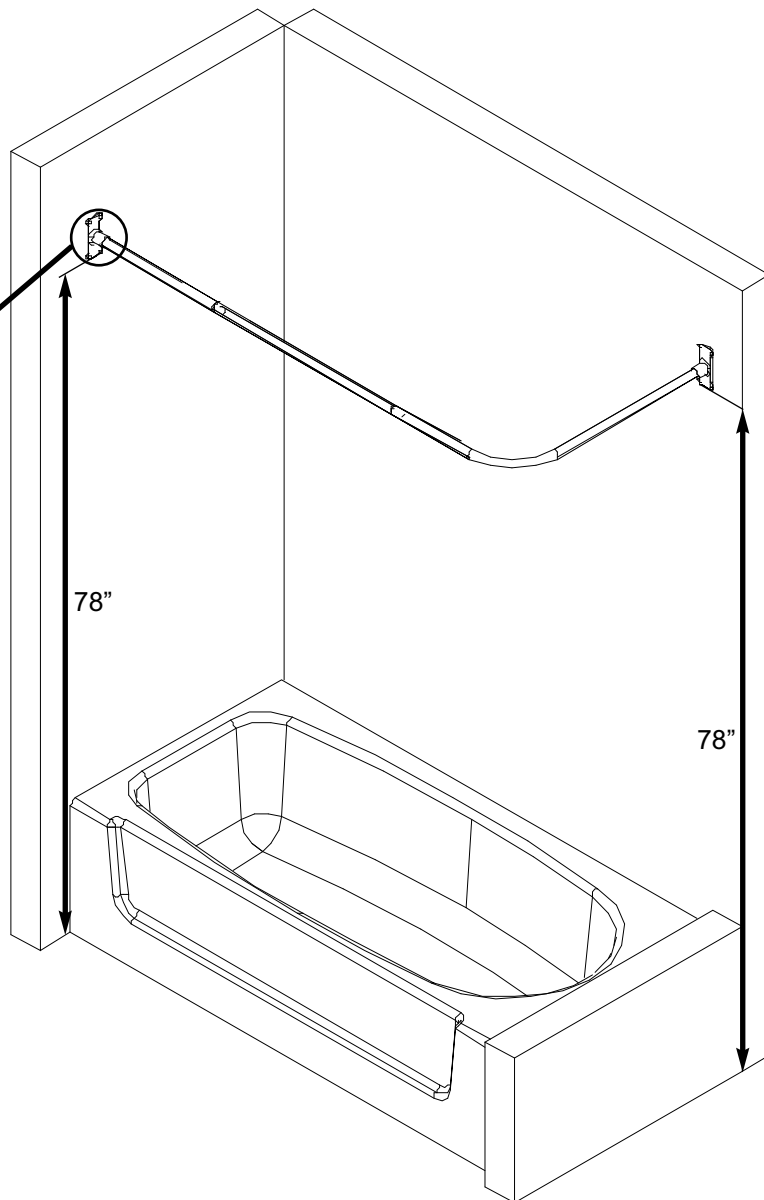
5. Mount the rod approximately 78" above the floor. This will make the curtain fall 8" above the floor. If this is not acceptable, adjust the height to the desired location. Draw a light horizontal line at the desired location at both ends of the tub. The rod will be installed at that height and centered over the tub rim.

Hold the shower curtain rod assembly in desired location. Turn the end caps (C) into the upright position with the screw hole closest to the wall in the "neck" of the end cap is on top, as shown. Line up the bottom of each end cap (C) with the line you drew. Mark the locations for the mounting screws (F) on the wall through the holes.

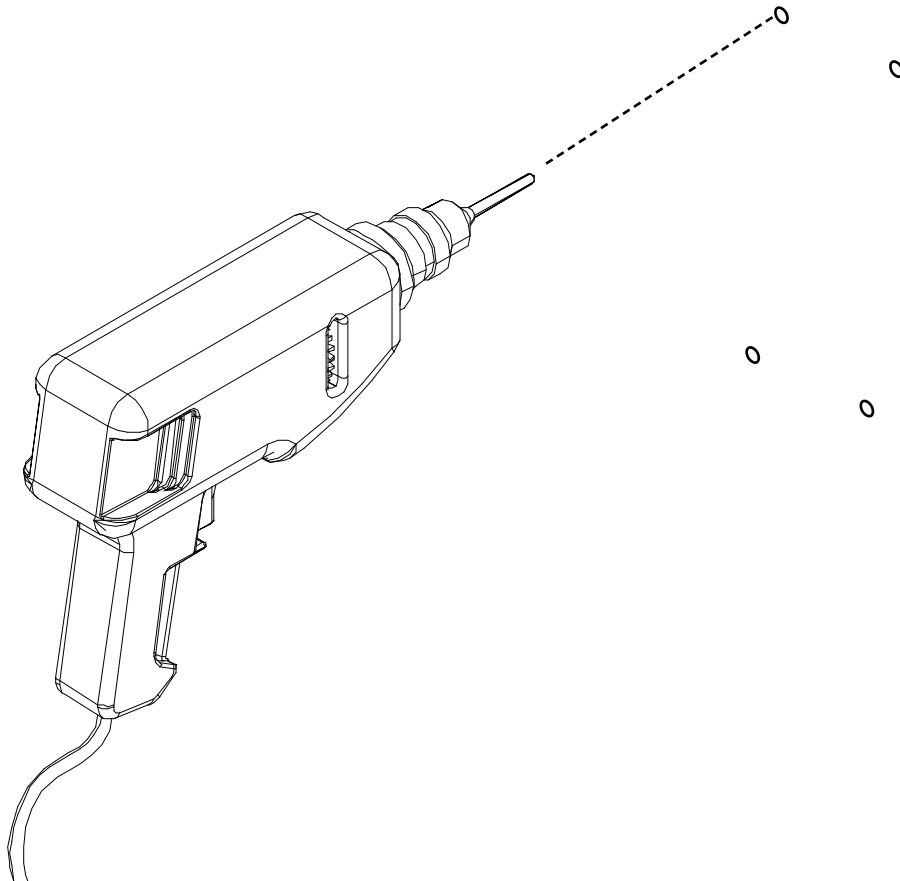
Screw hole closest to the wall in the "neck" of the endcap is on top, as shown.



Mark the locations of the screw holes



6. Drill holes in the marked locations and insert wall anchors (G). (**NOTE:** A wall anchor is not necessary if the screw will be going directly into a stud.)

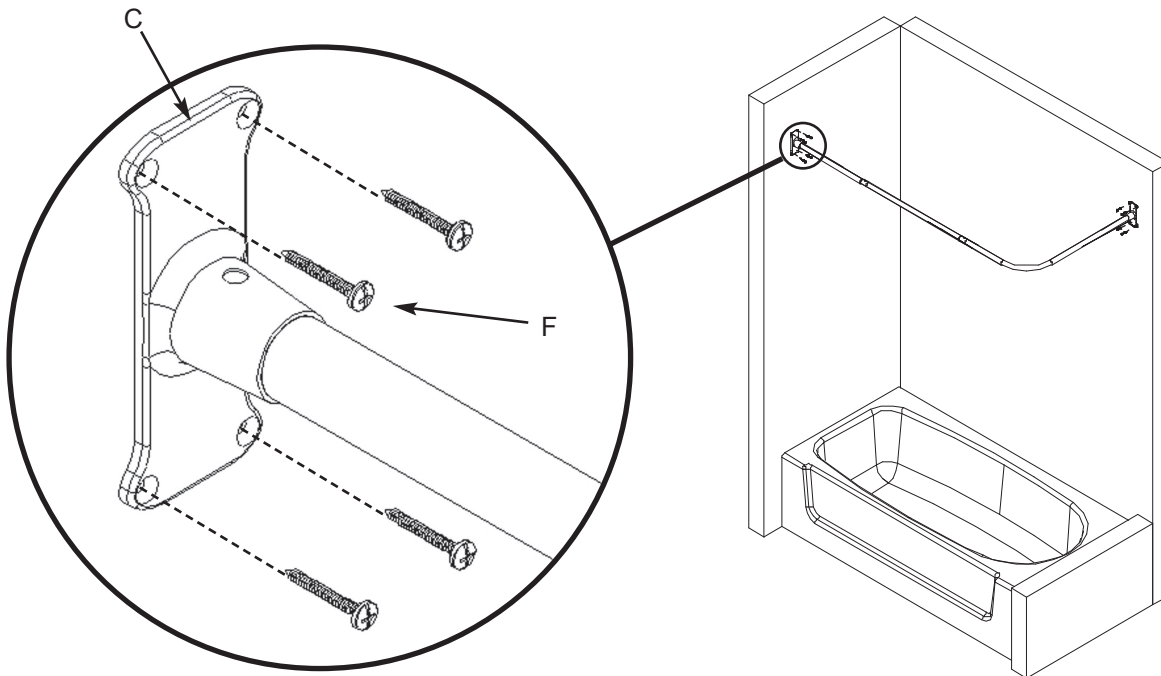


**NOTE:** Use a 1/4 in. (6mm) drill bit for drywall anchor installation. Use a 5/64 in. (2mm) drill bit for direct stud installation.  
*If installing into a material other than drywall or into stud, consult a professional for proper installation.*

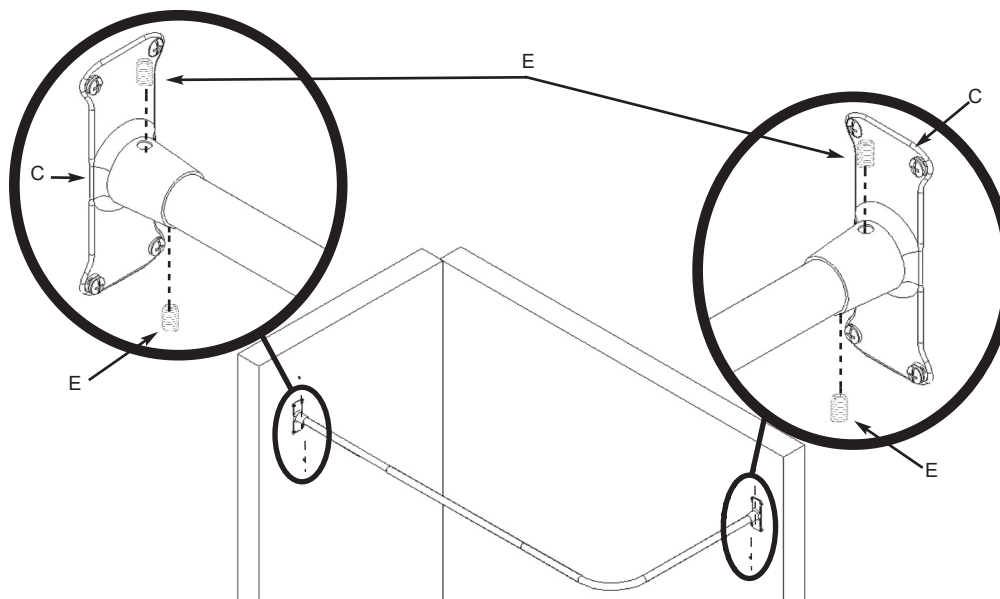
7. Making sure the end cap (C) is in the upright position with the screw hole closest to the wall (in the neck of the endcap) is on top, fasten the endcap (C) to the side wall.

**NOTE:** Screw hole closest to the wall in the "neck" of the endcap is on top, as shown.

**Repeat for the other end cap (C).**



8. Then fasten the tube assembly to the endcaps (C) using allen wrench (H), as shown.



## ! WARNING

Manufacturer and seller expressly disclaim any and all liability for personal injury, property damage or loss, whether direct, indirect, or incidental, resulting from the incorrect attachment, improper use, inadequate maintenance, or neglect of this product.