

ASSEMBLY

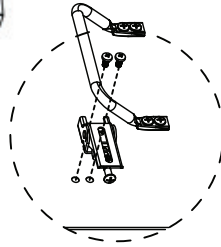
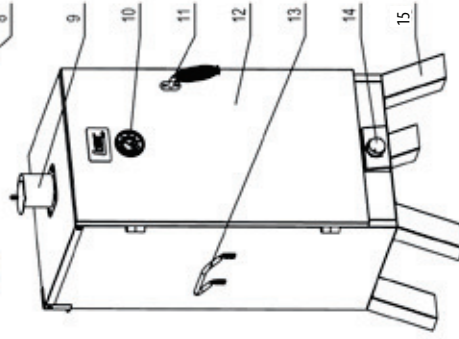
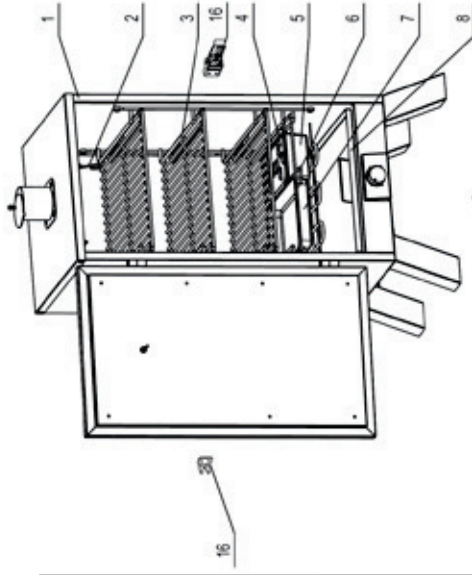
PART #	DESCRIPTION	QTY. PCS.
1	Housing	1
2	Hook	5
3	Cooking Grates	3
4	Wood Chip Tray Lid	1
5	Wood Chip Tray	1
6	Tray Holder	1
7	Water Pan	1
8	Grease Drip Pan	1
*9	Damper	1
10	Thermometer	1
11	Door Handle	1
12	Door	1
*13	Handles	2
14	Thermostat Control Knob	1
*15	Legs	4
*16	Lock	2

Assemble lock as pictured using the 4 screws included

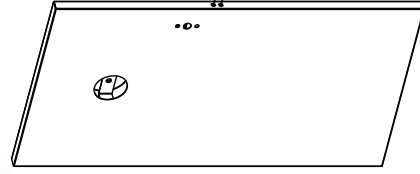
HARDWARE

PART #	DESCRIPTION	PICTURE OF HARDWARE	QUANTITY
*	M6 X 12 Bolt		22 pcs
*	M5X 10 Bolt		4 pcs

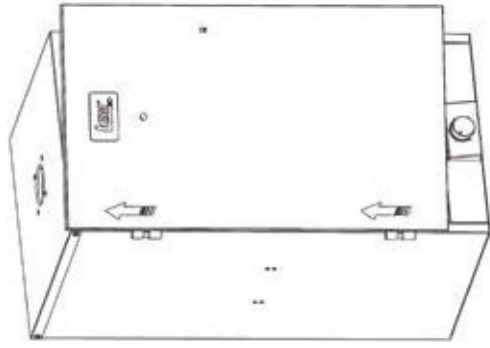
* For Assembly



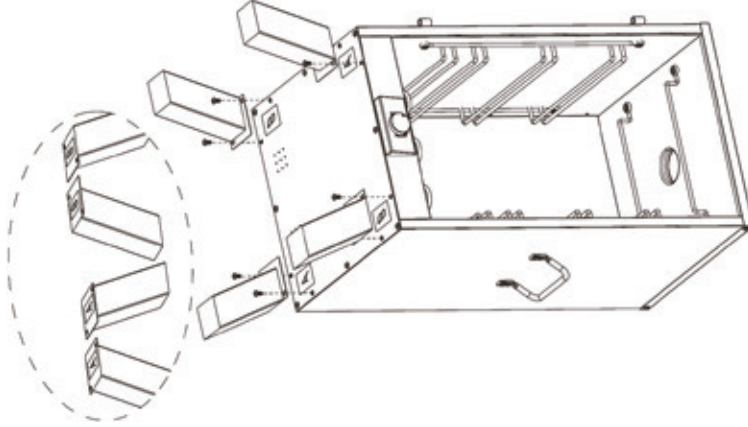
Attach lock catch to housing with 2 pcs of M5 bolt.



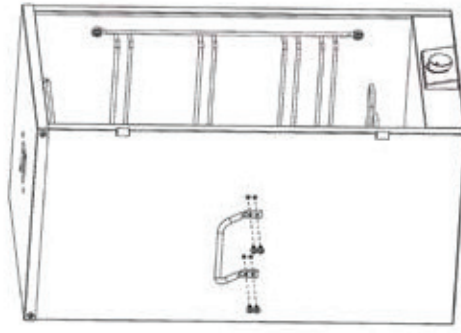
Attach lock catch bracket to door with 2 pcs of M5 bolt.



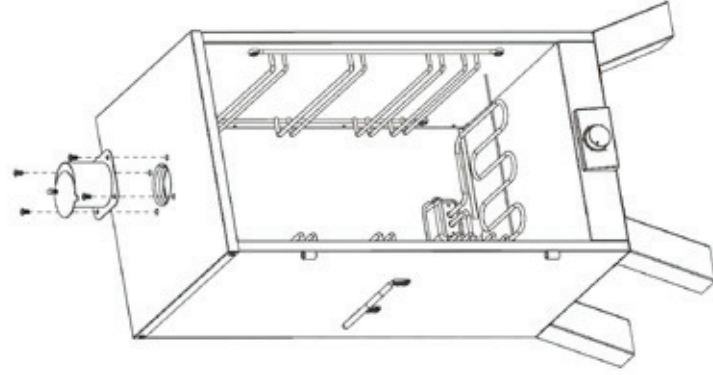
Door is easily removed by simply lifting straight up off the hinges.



Assembling feet: Take the time to review the feet. Take notice of the hole placement. Attach with the 8 screws included.



Assemble side handles as pictured with the 8 screws included.



Assemble damper as pictured using the 4 screws included.