

Features

- KOHLER cast iron
- With overflow
- 8" (203 mm) centers
- Drop-in installation
- 19-1/4" (489 mm) x 16-1/4" (413 mm)



For complete listing of available colors, go to kohler.com.

ADA

CSA B651

OBC

Codes/Standards

ASME A112.19.1/CSA B45.2

ADA

ICC/ANSI A117.1

CSA B651

OBC

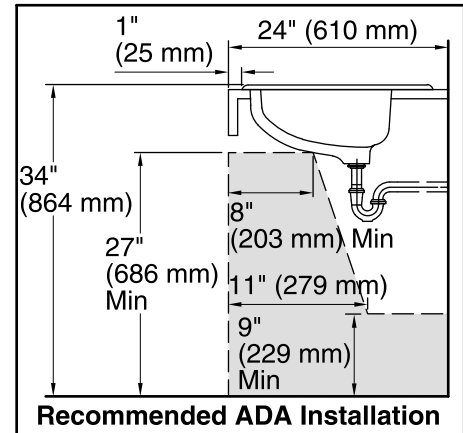
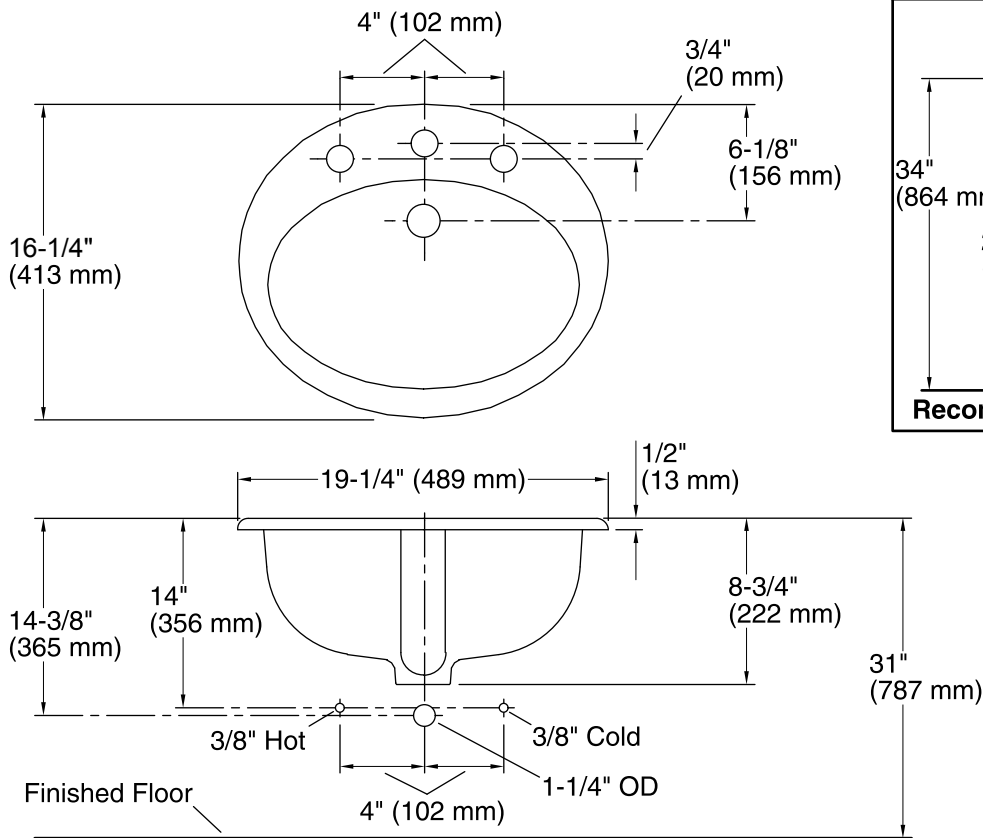
All applicable US Federal and State material regulations

KOHLER® Lifetime Limited Warranty for Cast Iron Components

See website for detailed warranty information.

Product Specification

Bathroom sink shall be 19-1/4" (489 mm) in length and 16-1/4" (413 mm) in width. Bathroom sink shall be cast iron. Bathroom sink shall be with overflow. Bathroom sink shall be 8" (203 mm) centers. Bathroom sink shall be drop-in installation. Bathroom sink shall be KOHLER Model K-2905-8.



Technical Information

All measurements are nominal.

Installation:	Drop-In
Bowl area	Length: 16" (406 mm) Width: 11" (279 mm) Water depth: 5" (127 mm)
Number of deck holes:	3
Faucet hole(s):	1-3/8" (35 mm)
Drain hole:	1-11/16" (43 mm)
Template:	Drop-in, 1002973-7, required, included

Installation Notes

Install this product according to the installation guide.

NOTICE: Countertop manufacturer or cutter must use the current product template available at www.kohler.com, or by calling 1-800-4KOHLER. Kohler Co. is not responsible for cutout errors when the incorrect cutout template is used.

ADA, OBC, CSA B651 compliant when installed to the specific requirements of these regulations.