

INFINITY 7

INFINITY SERIES

71 1/8 x 40 1/4 x 30 inches

AIR-WHIRLPOOL MODEL #AI7INF7242A



FEATURES ~

- Raised seating
- Extra-soft magnetic comfort pillow
- Adjustable metal base
- Slip resistant floor
- Premium cast acrylic surface
- Limited lifetime warranty

COLOR & TRIM OPTIONS

Stock	Upgraded	Premium
White	Biscuit	Black Sterling Silver



SYSTEM FEATURES *(standard)*

AIR-WHIRLPOOL COMBINATION

- Electronic control with preset capability
 - 16 hydrotherapy jets
 - 12-jet heated-air shiatsu back massage system
- Back, leg and foot jets
- Whirlpool pump
- 1.5kW inline maintenance heater
- High intensity LED chromatherapy light
- In-floor illusion air injectors
- Variable speed heated-air blower with wave and pulse modes
- Air system purge and dry cycle

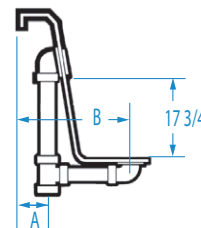
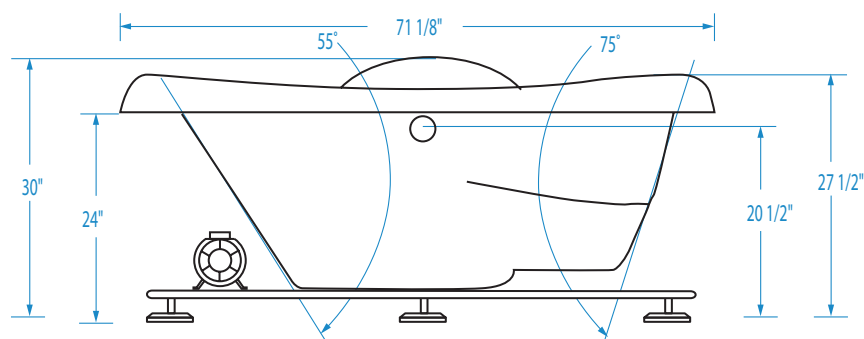
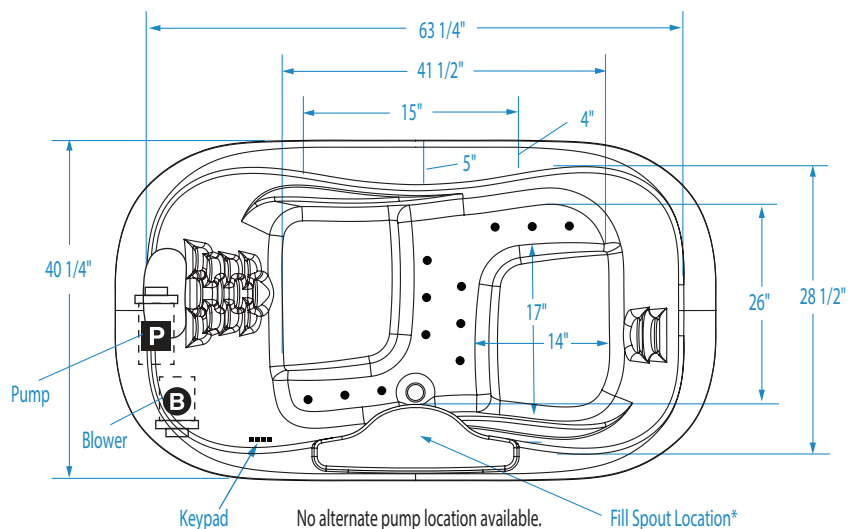


INFINITY 7

71 1/8 x 40 1/4 x 30 inches



This unit has a 3/4" female waterfall fill spout connection.



FEATURES

Dimensional Tolerance ± 3/8". Dimensions needed for site preparation should be measured from the unit. Aquatic assumes no responsibility for preparatory work.

Type and Model #	Material	Jets	Pump	Air System	Blower	Heater	Controls	Drain	Pkg. Wt. lbs
Air-whirlpool #AI7INF7242A	Cast Acrylic	16	102 GPM	Injector	Variable speed	1.5 kw Inline	Electronic	Center Front	424

DIMENSIONS inches

Width Overall / Net	Depth Overall / Net	Height Overall / Net	Skirt Height
71 1/8	40 1/4	30 / 27 1/2	-

SUMP DATA inches

Capacity to Overflow gal (ltr)	Min. Operating Capacity gal (ltr)	WIDTH @ centerline		DEPTH @ centerline	
		Top	Bottom	Top	Bottom
134	96	63 1/4	41 1/2	28 1/2	26

PLUMBING DIMENSIONS inches

A	B	Drain Diameter / Clearance
4	10	

ELECTRICAL DATA

Component	Specification	Requirement
Pump	9 AMP; 120 V	15 AMP 1 pole, separate circuit, Class A GFCI
Inline Heater	1.5 kW; 12 AMP; 120 V	15 AMP 1 pole, separate circuit, Class A GFCI
Blower	1.0 HP; 9.5 AMP; 120 V	15 AMP 1 pole, separate circuit, Class A GFCI

NOTES:

1) Where applicable, utilize cut-out templates packed with unit for deck cutouts.

2) 16 x 16 minimum access required at pump/blower location(s).