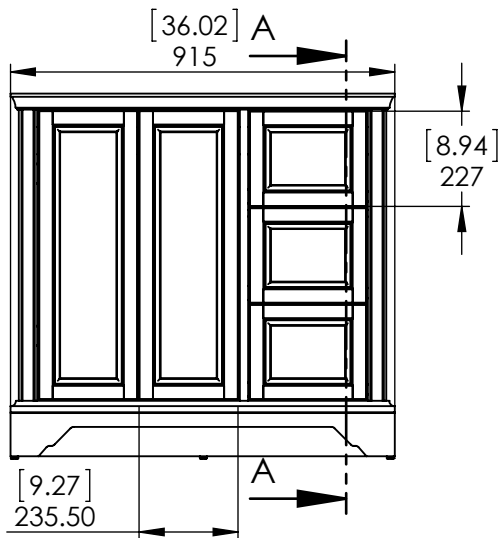
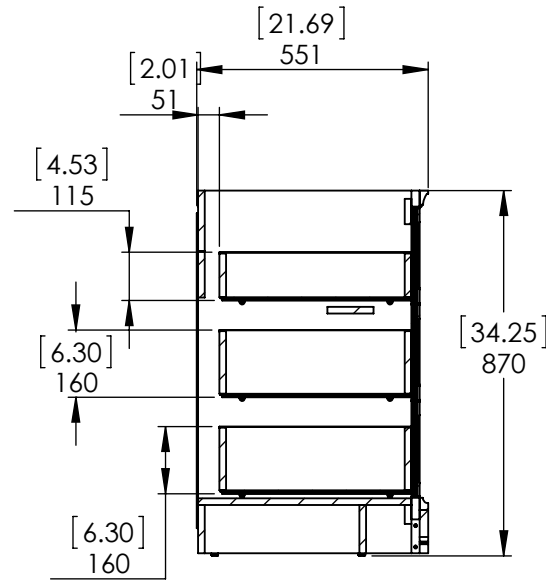


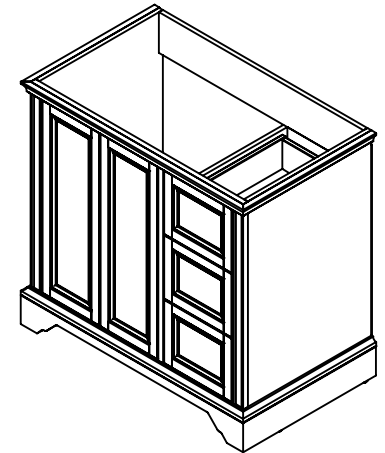
Top View



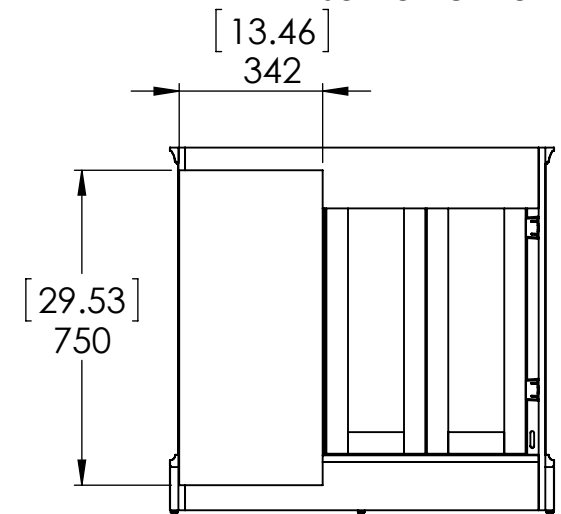
Front View



SECTION A-A
SCALE 1 : 18



Isometric View



Back View



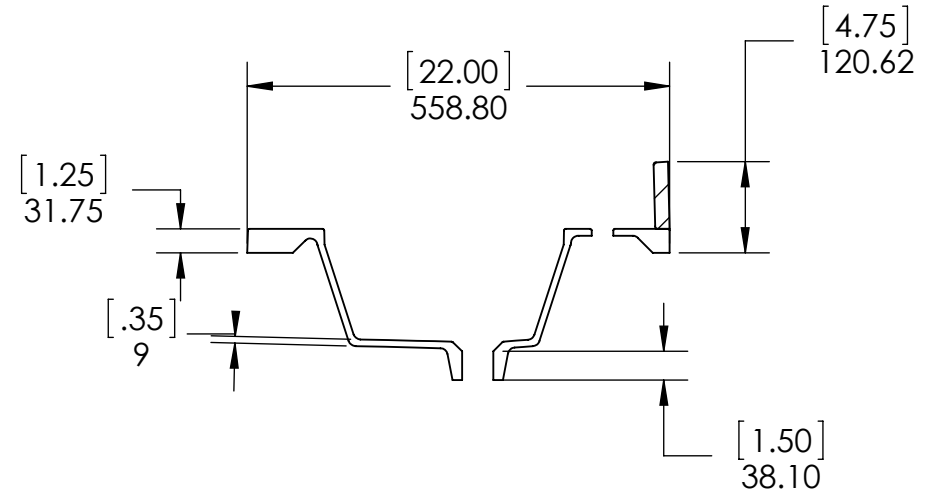
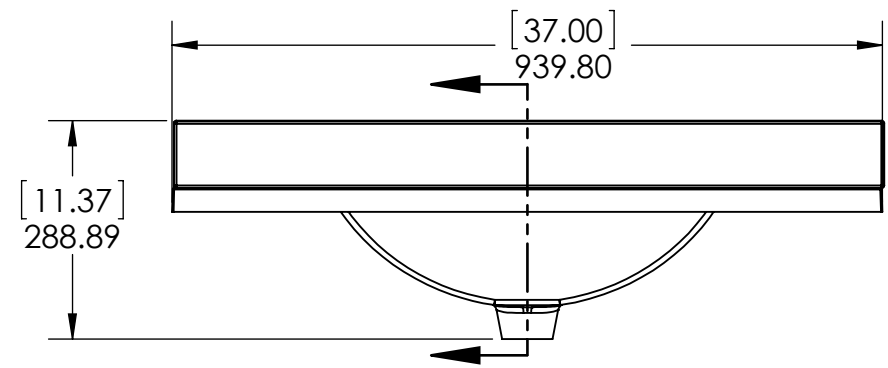
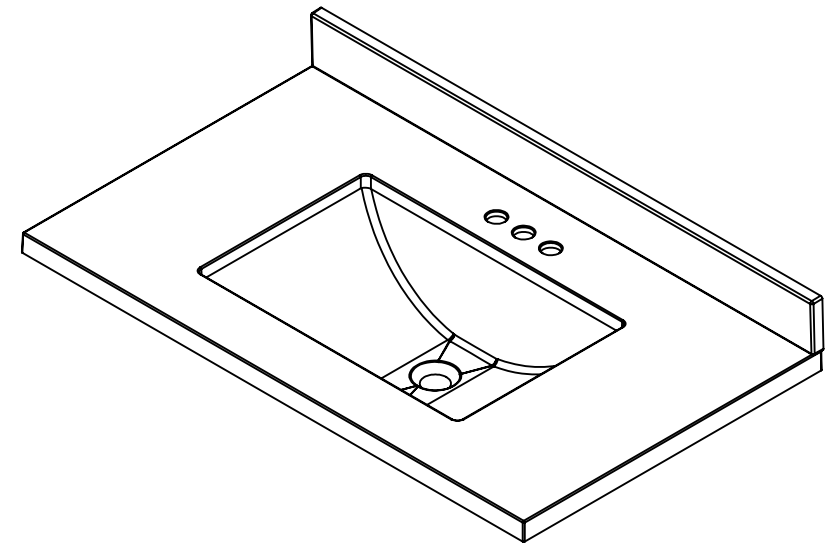
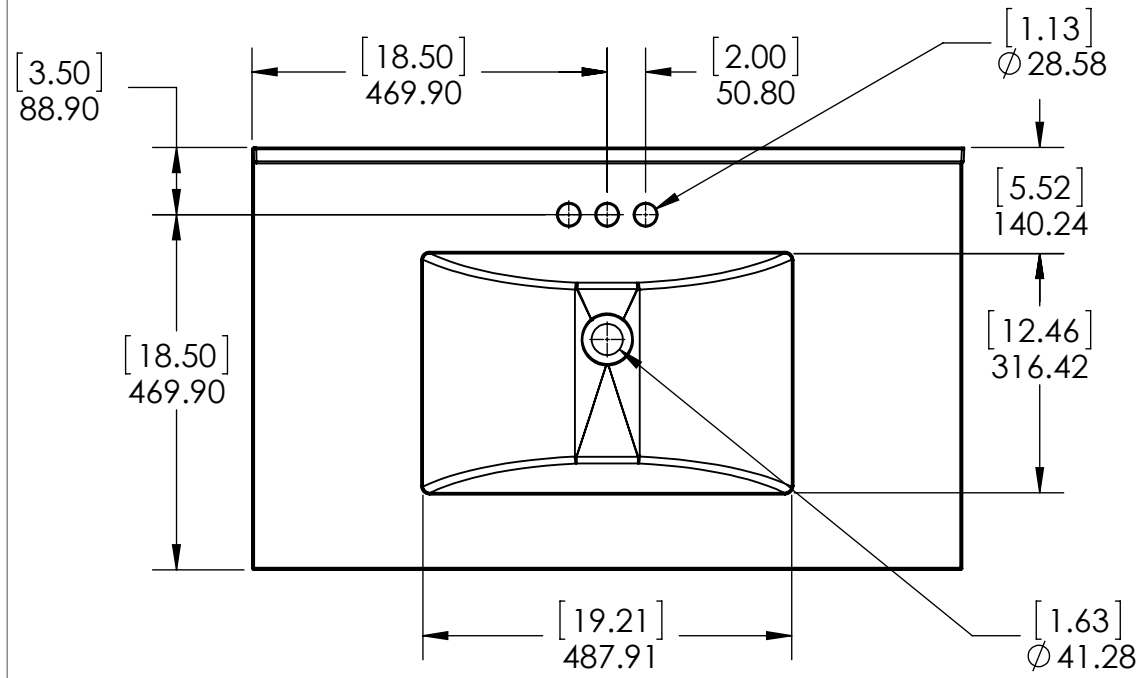
ITEM:	SF36-WH SF36-CH	REV	A
	SF36-ST SF36-CR		
NAME:	Stratfield 36in-White/ Sterling/ Chocolate/Cream		

DRW:	ARB	01/23/18
REV:	ING	01/23/18
APP:	R&D	01/23/18
SCALE 1:18	MODEL:	Stratfield 36in

MATERIAL: **German Beech 4/4 Laminated Particle Board**

DRAWING TYPE	ITEM ID	ITEM DESCRIPTION	TECHNOLOGIES	DRAWING STATUS
Finish Good	SS3722R-TI	Vtop Rect 37x22 SS Titanium	Solid Surface	Design Process
Finish Good	SS37R-AH	Vtop Rect 37x22 SS Silver Ash Shark tank	Solid Surface	Ready for production

REV	ECO #	DESCRIPTION	REV'D BY DATE	CHK'D BY DATE	APRV'D BY DATE
1		Original	4/05/16	4/05/16	4/05/16
2		Nuevo color	1/16/18	1/16/18	1/16/18



PROPRIETARY AND CONFIDENTIAL
 THE INFORMATION CONTAINED IN THIS DRAWING IS THE SOLE PROPERTY OF WOODCRAFTERS. ANY REPRODUCTION IN PART OR AS A WHOLE WITHOUT THE WRITTEN PERMISSION OF WOODCRAFTERS IS PROHIBITED.

UNLESS OTHERWISE SPECIFIED
 DIMENSIONS ARE IN MM. AND (INCHES)
 TOLERANCES ARE
 +0.125 [3.175] -0.125 [-3.175]
 SCALE:1:10

	NAME	DATE
DRAWN	R. Rubio	1/27/16
CHECKED	R. Rubio	4/05/16
ENG APPR.	R. Rubio	4/05/16
MFG APPR.	C. Leal	4/05/16

Wood Crafters
 SIZE DWG. NO. A Vtop Rect 37x22 Solid Surface
 SHEET 1 OF 1
 REV: 2