



CS 2234

CS 2238

GB Operator's manual
ES Manual de instrucciones
SE Bruksanvisning
FI Käyttöohje
DK Brugsanvisning
NO Bruksanvisning
IT Istruzioni per l'uso
PT Instruções para o uso
GR Οδηγίες χρήσεως
CZ Návod k použití
SK Operátorská príručka
SI Navodila za uporabo
HU Használati utasítás
PL Instrukcja obsługi

EE Käsitsemisõpetus
LV Lietošanas pamācība
LT Naudojimosi instrukcijos
HR Priručnik
BG Ръководство за експлоатация
RU Руководство по эксплуатации
FR Manuel d'utilisation
DE Bedienungsanweisung
NL Gebruiksaanwijzing
TR Kullanım kılavuzu
RO Instrucțiuni de utilizare

GB pp 6-25

ES pp 26-45

SE pp 46-64

FI pp 65-84

DK pp 85-104

NO pp 105-123

IT pp 124-143

PT pp 144-164

GR pp 165-186

CZ pp 187-206

SK pp 207-224

SI pp 225-242

HU pp 243-262

PL pp 263-283

EE pp 284-301

LV pp 302-320

LT pp 321-338

HR pp 339-356

BG pp 357-380

RU pp 381-403

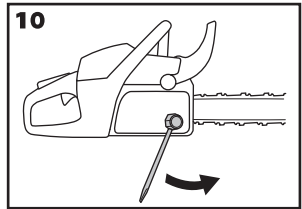
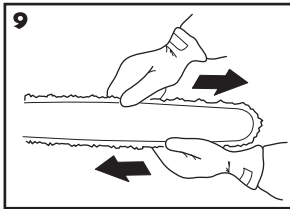
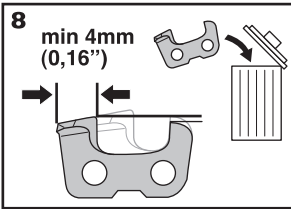
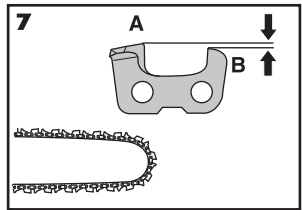
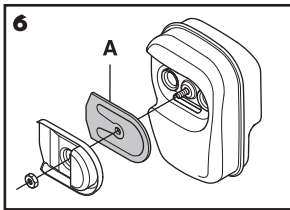
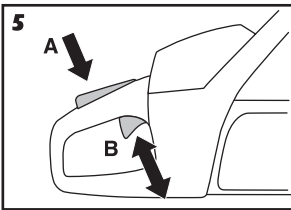
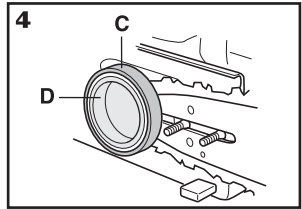
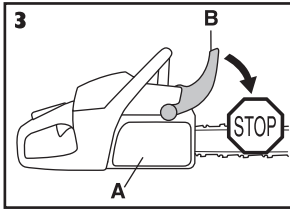
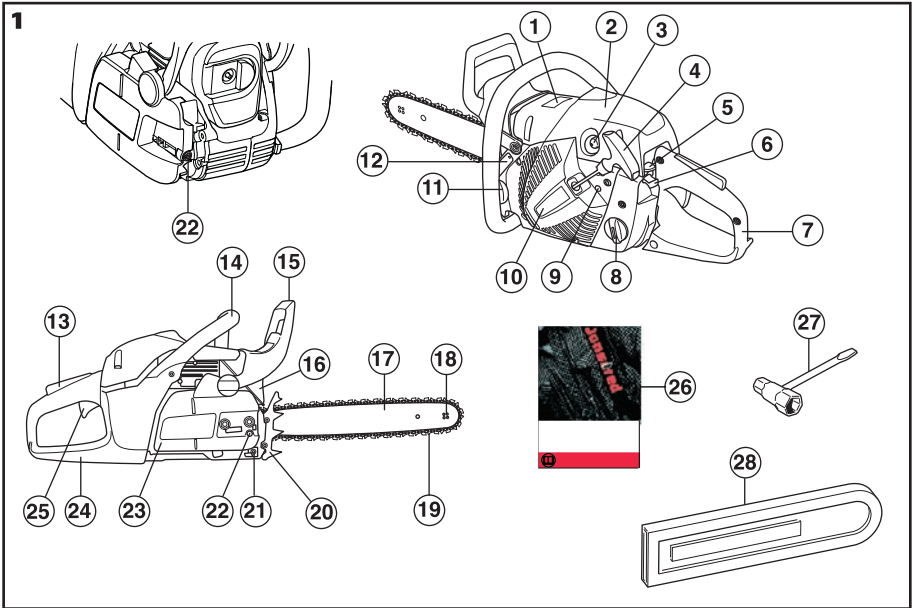
FR pp 404-423

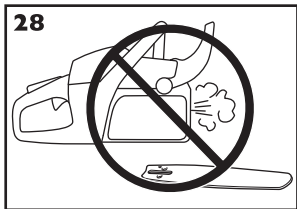
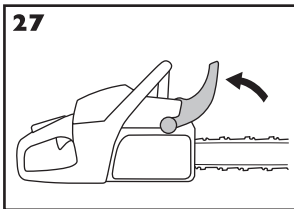
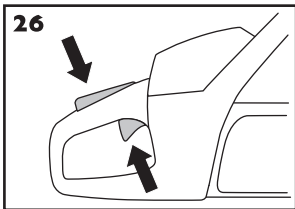
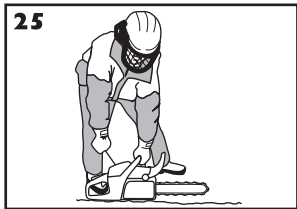
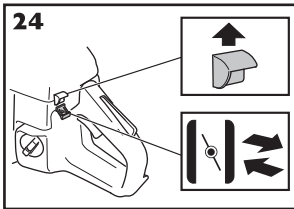
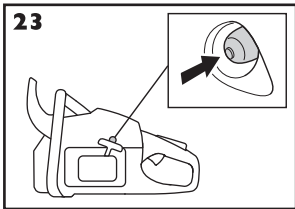
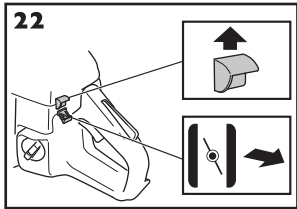
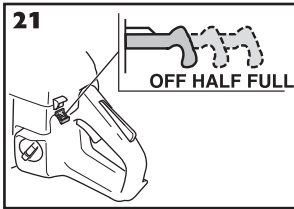
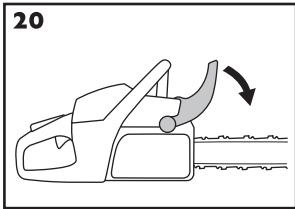
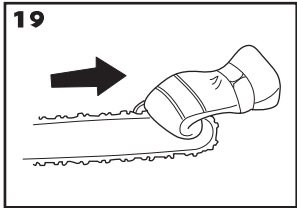
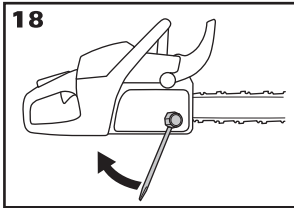
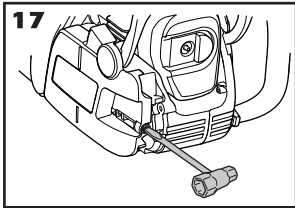
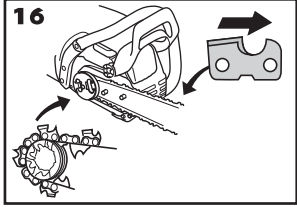
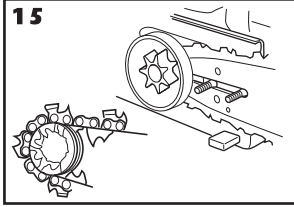
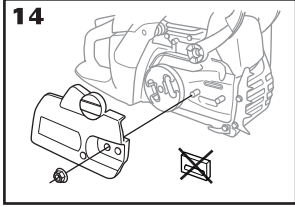
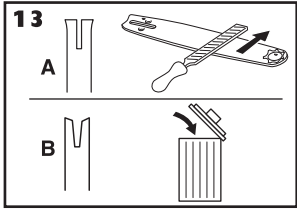
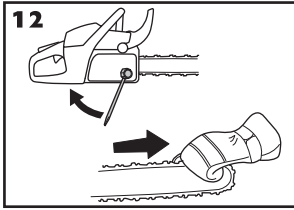
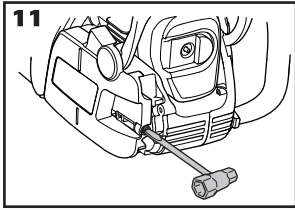
DE pp 424-444

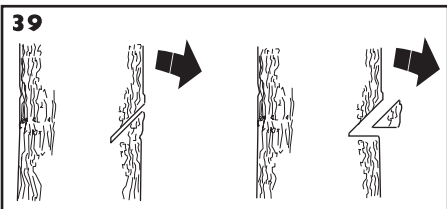
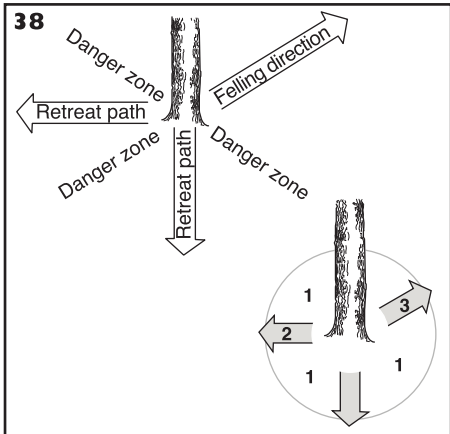
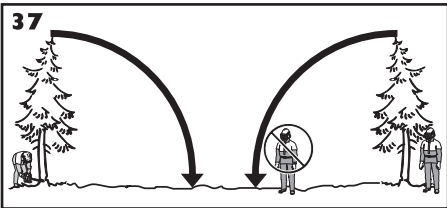
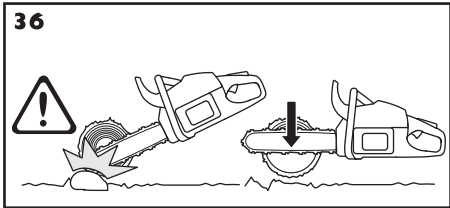
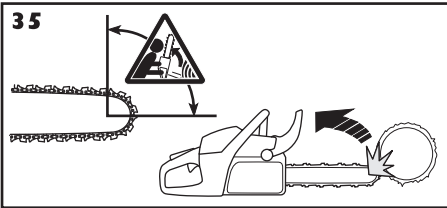
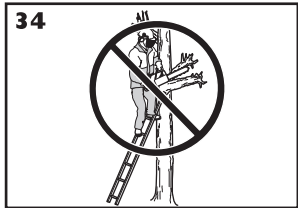
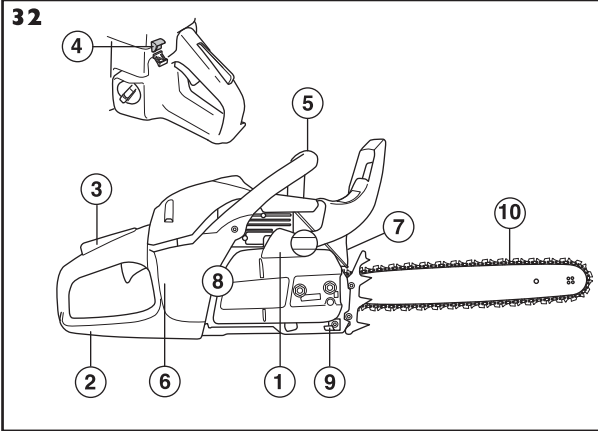
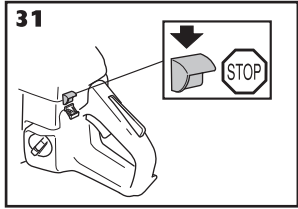
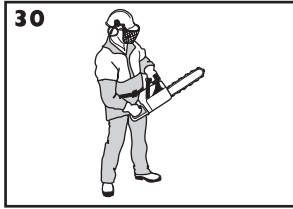
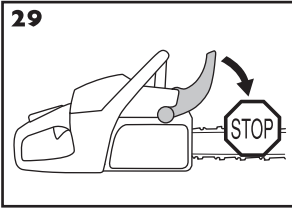
NL pp 445-465

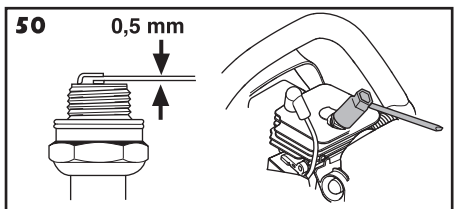
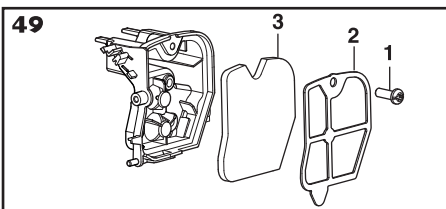
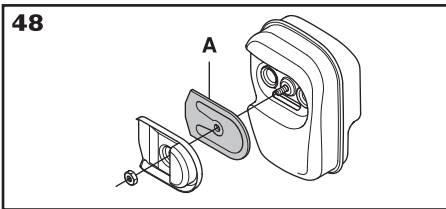
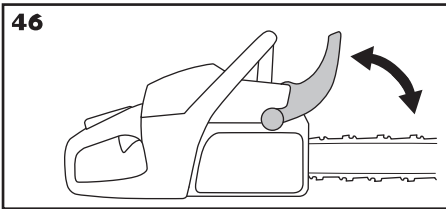
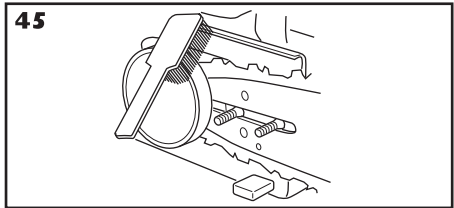
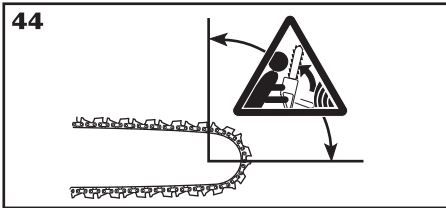
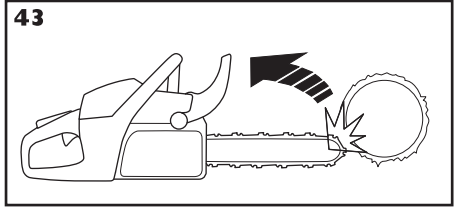
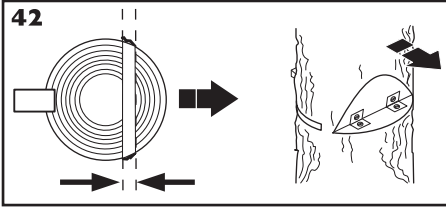
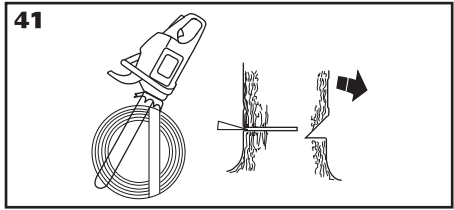
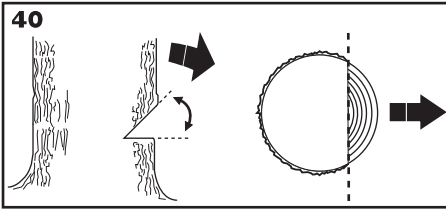
TR pp 466-484

RO pp 485-503









Dear Customer,

Congratulations on your choice to buy a Jonsered product!

We are convinced that you will appreciate with great satisfaction the quality and performance of our product for a very long time to come. The purchase of one of our products gives you access to professional help with repairs and service whenever this may be necessary. If the retailer who sells your machine is not one of our authorised dealers, ask for the address of your nearest service workshop.

It is our wish that you will be satisfied with your product and that it will be your companion for a long time. Think of this operator's manual as a valuable document. By following its' content (using, service, maintenance etc) the life span and the second-hand value of the machine can be extended. If you will sell this machine, make sure that the buyer will get the operator's manual.

Good luck on using your Jonsered machine!

Jonsered has a policy of continuous product development and therefore reserves the right to modify the design and appearance of products without prior notice.

Symbols on the machine:

WARNING! Chain saws can be dangerous! Careless or incorrect use can result in serious or fatal injury to the operator or others.



Please read the operator's manual carefully and make sure you understand the instructions before using the machine.



Always wear:

- Approved protective helmet
- Approved hearing protection
- Protective goggles or a visor



This product is in accordance with applicable EC directives.



Noise emission to the environment according to the European Community's Directive. The machine's emission is specified in chapter Technical data and on label.



Both of the operator's hands must be used to operate the chain saw.



Never operate a chain saw holding it with one hand only.



Contact of the guide bar tip with any object must be avoided.



WARNING! Kickback may occur when the nose or tip of the guide bar touches an object, and cause a lightning fast reverse reaction, kicking the guide bar up and towards the operator. May cause serious personal injury.



Chain brake, activated (left)
Chain brake, not activated (right)



Other symbols/decals on the machine refer to special certification requirements for certain markets.

What is what on the chain saw? (1)

1	Information and warning decal
2	Cylinder cover
3	Air purge
4	Starter handle
5	Choke control/Start throttle lock
6	Stop switch (Ignition on/off switch.)
7	Rear handle
8	Fuel tank
9	Adjuster screws carburettor
10	Starter
11	Chain oil tank
12	Product and serial number plate
13	Throttle lockout (Prevents accidental operation of throttle control.)
14	Front handle
15	Front hand guard
16	Muffler
17	Bar
18	Bar tip sprocket
19	Chain
20	Spike bumper
21	Chain catcher
22	Chain tensioning screw
23	Clutch cover
24	Rear handle with right hand guard
25	Throttle control
26	Operator's manual
27	Combination spanner
28	Bar guard

Contents

INTRODUCTION	
Dear Customer,	6
Symbols on the machine:	6
What is what on the chain saw?	7
CONTENTS	
Contents	7
GENERAL SAFETY PRECAUTIONS	
Before using a new chain saw	8
Important	8
Always use common sense	8
Personal protective equipment	9
Machine's safety equipment	9
Cutting equipment	11
ASSEMBLY	
Fitting the bar and chain	14
FUEL HANDLING	
Fuel	14
Fuelling	15
Fuel safety	15
STARTING AND STOPPING	
Starting and stopping	16
WORKING TECHNIQUES	
Before use:	17
General working instructions	17
How to avoid kickback	20
MAINTENANCE	
General	21
Carburettor adjustment	21
Checking, maintaining and servicing chain saw safety equipment	21
Muffler	22
Air filter	22
Spark plug	22
Maintenance schedule	23
TECHNICAL DATA	
Technical data	24
Bar and chain combinations	25
EC-declaration of conformity	25

GENERAL SAFETY PRECAUTIONS

Before using a new chain saw

- Please read this manual carefully.
- **(1) - (50)** refer to figures on p. 2-5.
- Check that the cutting equipment is correctly fitted and adjusted. See instructions under the heading Assembly.
- Refuel and start the chain saw. See the instructions under the headings Fuel Handling and Starting and Stopping.
- Do not use the chain saw until sufficient chain oil has reached the chain. See instructions under the heading Lubricating cutting equipment.
- Long-term exposure to noise can result in permanent hearing impairment. So always use approved hearing protection.



WARNING! Under no circumstances may the design of the machine be modified without the permission of the manufacturer. Always use genuine accessories. Non-authorized modifications and/or accessories can result in serious personal injury or the death of the operator or others.



WARNING! A chain saw is a dangerous tool if used carelessly or incorrectly and can cause serious, even fatal injuries. It is very important that you read and understand the contents of this operator's manual.



WARNING! The inside of the muffler contain chemicals that may be carcinogenic. Avoid contact with these elements in the event of a damaged muffler.



WARNING! Long term inhalation of the engine's exhaust fumes, chain oil mist and dust from sawdust can represent a health risk.



WARNING! This machine produces an electromagnetic field during operation. This field may under some circumstances interfere with active or passive medical implants. To reduce the risk of serious or fatal injury, we recommend persons with medical implants to consult their physician and the medical implant manufacturer before operating this machine.

Important

IMPORTANT!

The machine is only designed for cutting wood.

You should only use the saw with the bar and chain combinations we recommend in the chapter Technical data.

Never use the machine if you are fatigued, while under the influence of alcohol or drugs, medication or anything that could affect your vision, alertness, coordination or judgement.

Wear personal protective equipment. See instructions under the heading Personal protective equipment.

Do not modify this product or use it if it appears to have been modified by others.

Never use a machine that is faulty. Carry out the checks, maintenance and service instructions described in this manual. Some maintenance and service measures must be carried out by trained and qualified specialists. See instructions under the heading Maintenance.

Never use any accessories other than those recommended in this manual. See instructions under the headings Cutting equipment and Technical data.

CAUTION! Always wear protective glasses or a face visor to reduce the risk of injury from thrown objects. A chain saw is capable of throwing objects, such as wood chips, small pieces of wood, etc, at great force. This can result in serious injury, especially to the eyes.



WARNING! Running an engine in a confined or badly ventilated area can result in death due to asphyxiation or carbon monoxide poisoning.



WARNING! Faulty cutting equipment or the wrong combination of bar and saw chain increases the risk of kickback! Only use the bar/saw chain combinations we recommend, and follow the filing instructions. See instructions under the heading Technical data.

Always use common sense (2)

It is not possible to cover every conceivable situation you can face when using a chain saw. Always exercise care and use your common sense. Avoid all situations which you consider to be beyond your capability. If you still feel uncertain about operating procedures after reading these instructions, you should consult an expert before continuing. Do not hesitate to contact your dealer or us if you have any questions about the use of the chain saw. We will willingly be of service and provide you with advice as well as help you to use your chain saw both efficiently and safely. Attend a training course in chain saw usage if possible. Your dealer, forestry school or your library can provide information about which training materials and courses are available. Work is constantly in progress to improve the design and technology - improvements that increase your safety and efficiency. Visit your dealer regularly to see whether you can benefit from new features that have been introduced.

GENERAL SAFETY PRECAUTIONS

Personal protective equipment



WARNING! Most chain saw accidents happen when the chain touches the operator. You must use approved personal protective equipment whenever you use the machine. Personal protective equipment cannot eliminate the risk of injury but it will reduce the degree of injury if an accident does happen. Ask your dealer for help in choosing the right equipment.

- Approved protective helmet
- Hearing protection
- Protective goggles or a visor
- Gloves with saw protection
- Trousers with saw protection
- Boots with saw protection, steel toe-cap and non-slip sole
- Always have a first aid kit nearby.
- Fire Extinguisher and Shovel

Generally clothes should be close-fitting without restricting your freedom of movement.

IMPORTANT! Sparks can come from the muffler, the bar and chain or other sources. Always have fire extinguishing tools available if you should need them. Help prevent forest fires.

Machine's safety equipment

In this section the machine's safety features and their function are explained. For inspection and maintenance see instructions under the heading Checking, maintaining and servicing chain saw safety equipment. See instructions under the heading, What is what?, to find where these parts are located on your machine.

The life span of the machine can be reduced and the risk of accidents can increase if machine maintenance is not carried out correctly and if service and/or repairs are not carried out professionally. If you need further information please contact your nearest service workshop.



WARNING! Never use a machine with defective safety components. Safety equipment must be inspected and maintained. See instructions under the heading Checking, maintaining and servicing chain saw safety equipment. If your machine does not pass all the checks, take the saw to a servicing dealer for repair.

Chain brake and front hand guard

Your chain saw is equipped with a chain brake that is designed to stop the chain if you get a kickback. The chain brake reduces the risk of accidents, but only you can prevent them.

Take care when using your saw and make sure the kickback zone of the bar never touches any object.

- The chain brake (A) can either be activated manually (by your left hand) or automatically by the inertia release mechanism. **(3)**
- The brake is applied when the front hand guard (B) is pushed forwards. **(3)**
- This movement activates a spring-loaded mechanism that tightens the brake band (C) around the engine drive system (D) (clutch drum). **(4)**
- The front hand guard is not designed solely to activate the chain brake. Another important feature is that it reduces the risk of your left hand hitting the chain if you lose grip of the front handle.
- The chain brake must be engaged when the chain saw is started to prevent the saw chain from rotating.
- Use the chain brake as a "parking brake" when starting and when moving over short distances, to reduce the risk of moving chain accidentally hitting your leg or anyone or anything close by.
- To release the chain brake pull the front hand guard backwards, towards the front handle.
- Kickback can be very sudden and violent. Most kickbacks are minor and do not always activate the chain brake. If this happens you should hold the chain saw firmly and not let go.
- The way the chain brake is activated, either manually or automatically by the inertia release mechanism, depends on the force of the kickback and the position of the chain saw in relation to the object that the kickback zone of the bar strikes.

If you get a violent kickback while the kickback zone of the bar is farthest away from you the chain brake is designed to be activated by the inertia in the kickback direction.

If the kickback is less violent or the kickback zone of the bar is closer to you the chain brake will be activated manually by the movement of your left hand.

- In the felling position the left hand is in a position that makes manual activation of the chain brake impossible. With this type of grip, that is when the left hand is placed so that it cannot affect the movement of the front hand guard, the chain brake can only be activated by the inertia action.

GENERAL SAFETY PRECAUTIONS

Will my hand always activate the chain brake during a kickback?

No. It takes a certain force to move the hand guard forward. If your hand only lightly touches the front guard or slips over it, the force may not be enough to trigger the chain brake. You should also maintain a firm grip of the chain saw handles while working. If you do and experience a kickback, your hand may never leave the front handle and will not activate the chain brake, or the chain brake will only activate after the saw has swung around a considerable distance. In such instances, the chain brake might not have enough time to stop the saw chain before it touches you.

There are also certain positions in which your hand cannot reach the front hand guard to activate the chain brake; for example, when the saw chain is held in felling position.

Will my inertia activated chain brake always activate during kickback in the event of a kickback?

No. First your brake must be in working order. Testing the brake is simple, see instructions under the heading Checking, maintaining and servicing chain saw safety equipment. We recommend you do before you begin each work session. Second the kickback must be strong enough to activate the chain brake. If the chain brake is too sensitive it would activate all the time which would be a nuisance.

Will my chain brake always protect me from injury in the event of a kickback?

No. First, the chain brake must be in working order to provide the intended protection. Second, it must be activated during the kickback as described above to stop the saw chain. Third, the chain brake may be activated but if the bar is too close to you the brake might not have enough time to slow down and stop the chain before the chain saw hits you.

Only you and proper working technique can eliminate kickback and its danger.

Throttle lockout

The throttle lockout is designed to prevent accidental operation of the throttle control. When you press the lock (A) (i.e. when you grasp the handle) it releases the throttle control (B). When you release the handle the throttle control and the throttle lockout both move back to their original positions. This arrangement means that the throttle control is automatically locked at the idle setting. (5)

Chain catcher

The chain catcher is designed to catch the chain if it snaps or jumps off. This should not happen if the chain is properly tensioned (see instructions under the heading Assembly) and if the bar and chain are properly serviced and maintained (see instructions under the heading General working instructions).

Right hand guard

Apart from protecting your hand if the chain jumps or snaps, the right hand guard stops branches and twigs from interfering with your grip on the rear handle.

Vibration damping system

Your machine is equipped with a vibration damping system that is designed to minimize vibration and make operation easier.

The machine's vibration damping system reduces the transfer of vibration between the engine unit/cutting equipment and the machine's handle unit. The body of the chain saw, including the cutting equipment, is insulated from the handles by vibration damping units.

Cutting hardwoods (most broadleaf trees) creates more vibration than cutting softwoods (most conifers). Cutting with cutting equipment that is blunt or faulty (wrong type or badly sharpened) will increase the vibration level.



WARNING! Overexposure to vibration can lead to circulatory damage or nerve damage in people who have impaired circulation. Contact your doctor if you experience symptoms of overexposure to vibration. Such symptoms include numbness, loss of feeling, tingling, pricking, pain, loss of strength, changes in skin colour or condition. These symptoms normally appear in the fingers, hands or wrists. These symptoms may be increased in cold temperatures.

Stop switch

Use the stop switch to switch off the engine.

Muffler

The muffler is designed to reduce noise levels and to direct exhaust fumes away from the user.



WARNING! The exhaust fumes from the engine are hot and may contain sparks which can start a fire. Never start the machine indoors or near combustible material!

In areas with a hot, dry climate there is a high risk of fires. These areas are sometimes subject to government rules requiring among other things the muffler must be equipped with an approved type of spark arrestor mesh (A). (6)

CAUTION! The muffler gets very hot during and after use. This also applies during idling. Be aware of the fire hazard, especially when working near flammable substances and/or vapours.



WARNING! Never use a saw without a muffler, or with a damaged muffler. A damaged muffler may substantially increase the noise level and the fire hazard. Keep fire fighting equipment handy. If a spark arrestor screen is required in your area, never use the saw without or with a broken spark arrestor screen.

GENERAL SAFETY PRECAUTIONS

Cutting equipment

This section describes how to choose and maintain your cutting equipment in order to:

- Reduce the risk of kickback.
- Reduce the risk of the saw chain breaking or jumping off the bar.
- Obtain optimal cutting performance.
- Extend the life of cutting equipment.
- Avoid increasing vibration levels.

General rules

- **Only use cutting equipment recommended by us!** See instructions under the heading Technical data.
- **Keep the chain's cutting teeth properly sharpened! Follow our instructions and use the recommended file gauge.** A damaged or badly sharpened chain increases the risk of accidents.
- **Maintain the correct depth gauge setting! Follow our instructions and use the recommended depth gauge clearance.** Too large a clearance increases the risk of kickback.
- **Keep the chain properly tensioned!** If the chain is slack it is more likely to jump off and lead to increased wear on the bar, chain and drive sprocket.
- **Keep cutting equipment well lubricated and properly maintained!** A poorly lubricated chain is more likely to break and lead to increased wear on the bar, chain and drive sprocket.

Cutting equipment designed to reduce kickback



WARNING! Faulty cutting equipment or the wrong combination of bar and saw chain increases the risk of kickback! Only use the bar/saw chain combinations we recommend, and follow the filing instructions. See instructions under the heading Technical data.

The only way to avoid kickback is to make sure that the kickback zone of the bar never touches anything.

By using cutting equipment with "built-in" kickback reduction and keeping the chain sharp and well-maintained you can reduce the effects of kickback.

Bar

The smaller the tip radius the lower the chance of kickback.

Chain

A chain is made up of a number of links, which are available in standard and low-kickback versions.

IMPORTANT! No saw chain design eliminates the danger of kickback.



WARNING! Any contact with a rotating saw chain can cause extremely serious injuries.

Some terms that describe the bar and chain

To maintain the safety features of the cutting equipment, you should replace a worn or damaged bar or chain with a bar and chain combinations recommended by Jonsered. See instructions under the heading Technical Data for a list of replacement bar and chain combinations we recommend.

Bar

- Length (inches/cm)
- Number of teeth on bar tip sprocket (T).
- Chain pitch (inches). The spacing between the drive links of the chain must match the spacing of the teeth on the bar tip sprocket and drive sprocket.
- Number of drive links. The number of drive links is determined by the length of the bar, the chain pitch and the number of teeth on the bar tip sprocket.
- Bar groove width (inches/mm). The groove in the bar must match the width of the chain drive links.
- Chain oil hole and hole for chain tensioner. The bar must be matched to the chain saw design.

Chain

- Chain pitch (inches)
- Drive link width (mm/inches)
- Number of drive links.

Sharpening your chain and adjusting depth gauge setting



WARNING! Always wear gloves, when working with the chain, in order to protect your hands from injury.

General information on sharpening cutting teeth

- Never use a blunt chain. When the chain is blunt you have to exert more pressure to force the bar through the wood and the chips will be very small. If the chain is very blunt it will produce wood powder and no chips or shavings.
- A sharp chain eats its way through the wood and produces long, thick chips or shavings.
- The cutting part of the chain is called the cutter and consists of a cutting tooth (A) and the depth gauge (B). The cutters cutting depth is determined by the difference in height between the two (depth gauge setting). (7)

When you sharpen a cutting tooth there are four important factors to remember.

- 1 Filing angle
- 2 Cutting angle
- 3 File position
- 4 Round file diameter

It is very difficult to sharpen a chain correctly without the right equipment. We recommend that you use our file gauge. This will help you obtain the maximum kickback reduction and cutting performance from your chain.

See instructions under the heading Technical data for information about sharpening your chain.



WARNING! Departure from the sharpening instructions considerably increases the risk of kickback.

GENERAL SAFETY PRECAUTIONS

Sharpening cutting teeth

To sharpen cutting teeth you will need a round file and a file gauge. See instructions under the heading Technical data for information on the size of file and gauge that are recommended for the chain fitted to your chain saw.

- Check that the chain is correctly tensioned. A slack chain will move sideways, making it more difficult to sharpen correctly.
- Always file cutting teeth from the inside face. Reduce the pressure on the return stroke. File all the teeth on one side first, then turn the chain saw over and file the teeth on the other side.
- File all the teeth to the same length. When the length of the cutting teeth is reduced to 4 mm (0.16") the chain is worn out and should be replaced. **(8)**

General advice on adjusting depth gauge setting

- When you sharpen the cutting tooth (A) the depth gauge setting (C) will decrease. To maintain optimal cutting performance the depth gauge (B) has to be filed down to achieve the recommended depth gauge setting. See instructions under the heading Technical data to find the correct depth gauge setting for your particular chain.



WARNING! The risk of kickback is increased if the depth gauge setting is too large!

Adjustment of depth gauge setting

- The cutting teeth should be newly sharpened before adjusting the depth gauge setting. We recommend that you adjust the depth gauge setting every third time you sharpen the cutting teeth. **NOTE!** This recommendation assumes that the length of the cutting teeth is not reduced excessively.
- You will need a flat file and a depth gauge tool. We recommend that you use our depth gauge tool to achieve the correct depth gauge setting and bevel for the depth gauge.
- Place the depth gauge tool over the chain. Detailed information regarding the use of the depth gauge tool, will be found on the package for the depth gauge tool. Use the flat file to file off the tip of the depth gauge that protrudes through the depth gauge tool. The depth gauge setting is correct when you no longer feel resistance as you draw the file along the depth gauge tool.

Tensioning the chain



WARNING! A slack chain may jump off and cause serious or even fatal injury.



WARNING! Always wear approved protective gloves. Even a non-moving chain can cause serious cuts to yourself or persons you bump into with an exposed chain.

The more you use a chain the longer it becomes. It is therefore important to adjust the chain regularly to take up the slack.

Check the chain tension every time you refuel. **NOTE!** A new chain has a running-in period during which you should check the tension more frequently.

Tension the chain as tightly as possible, but not so tight that you cannot pull it round freely by hand. **(9)**

- Undo the bar nuts that hold the clutch cover/chain brake. Use the combination spanner. Then tighten the bar nuts by hand as tight as you can. **(10)**
- Raise the tip of the bar and stretch the chain by tightening the chain tensioning screw using the combination spanner. Tighten the chain until it does not sag from the underside of the bar. **(11)**
- Use the combination spanner to tighten the bar nuts while lifting the tip of the bar at the same time. Check that you can pull the chain round freely by hand and that it does not sag from the underside of the bar. **(12)**

Lubricating cutting equipment



WARNING! Poor lubrication of cutting equipment may cause the chain to snap, which could lead to serious, even fatal injuries.

Chain oil

Chain oil must demonstrate good adhesion to the chain and also maintain its flow characteristics regardless of whether it is warm summer or cold winter weather.

As a chain saw manufacturer we have developed an optimal chain oil which, with its vegetable oil base, is also biodegradable. We recommend the use of our own oil for both maximum chain life and to minimise environmental damage. If our own chain oil is not available, standard chain oil is recommended.

Never use waste oil! Using waste oil can be dangerous to you and damage the machine and environment.

IMPORTANT! When using vegetable based saw chain oil, dismantle and clean the groove in the bar and saw chain before long-term storage. Otherwise there is a risk of the saw chain oil oxidizing, which will result in the saw chain becoming stiff and the bar tip sprocket jamming.

GENERAL SAFETY PRECAUTIONS

Filling with chain oil

- All our chain saws have an automatic chain lubrication system. On some models the oil flow is also adjustable.
- The saw chain oil tank and the fuel tank are designed so that the fuel runs out before the saw chain oil.

However, this safety feature requires that you use the right sort of chain oil (if the oil is too thin it will run out before the fuel), and that you adjust the carburetor as recommended (a lean mixture may mean that the fuel lasts longer than the oil) and that you also use the recommended cutting equipment (a bar that is too long will use more chain oil).

Checking chain lubrication

- Check the chain lubrication each time you refuel. See instructions under the heading Lubricating the bar tip sprocket.

Aim the tip of the bar at a light coloured surface about 20 cm (8 inches) away. After 1 minute running at 3/4 throttle you should see a distinct line of oil on the light surface.

If the chain lubrication is not working:

- Check that the oil channel in the bar is not obstructed. Clean if necessary.
- Check that the groove in the edge of the bar is clean. Clean if necessary.
- Check that the bar tip sprocket turns freely and that the lubricating hole in the tip sprocket is not blocked. Clean and lubricate if necessary.

If the chain lubrication system is still not working after carrying out the above checks and associated measures you should contact your service agent.

Chain drive sprocket

The clutch drum is fitted with a Spur sprocket (the chain sprocket is welded on the drum).

Regularly check the degree of wear on the drive sprocket. Replace if wear is excessive. Replace the drive sprocket whenever you replace the chain.

Checking wear on cutting equipment

Check the chain daily for:

- Visible cracks in rivets and links.
- Whether the chain is stiff.
- Whether rivets and links are badly worn.

Replace the saw chain if it exhibits any of the points above.

We recommend you compare the existing chain with a new chain to decide how badly the existing chain is worn.

When the length of the cutting teeth has worn down to only 4 mm the chain must be replaced.

Bar

Check regularly:

- Whether there are burrs on the edges of the bar. Remove these with a file if necessary. **(13A)**

- Whether the groove in the bar has become badly worn. Replace the bar if necessary. **(13B)**
- Whether the tip of the bar is uneven or badly worn. If a hollow forms on the underside of the bar tip this is due to running with a slack chain.
- To prolong the life of the bar you should turn it over daily.



WARNING! Most chain saw accidents happen when the chain touches the operator.

Wear personal protective equipment. See instructions under the heading Personal protective equipment.

Do not tackle any job that you feel you are not adequately trained for. See instructions under the headings Personal protective equipment, How to avoid kickback, Cutting equipment and General working instructions.

Avoid situations where there is a risk of kickback. See instructions under the heading Machine's safety equipment.

Use the recommended protective equipment and check its condition. See instructions under the heading General working instructions.

Check that all the chain saw safety features are working. See instructions under the headings General working instructions and General safety precautions.

Fitting the bar and chain



WARNING! Switch off the engine before carrying out any checks or maintenance. The stop switch automatically returns to the start position. In order to prevent unintentional starting, the spark plug cap must be removed from the spark plug when assembling, checking and/or performing maintenance.

Always wear gloves, when working with the chain, in order to protect your hands from injury.

Check that the chain brake is in disengaged position by moving the front hand guard towards the front handle.

Remove the bar nuts and remove the clutch cover (chain brake). Take off the transportation ring. (A) **(14)**

Fit the bar over the bar bolts. Place the bar in its rearmost position. Place the chain over the drive sprocket locate it in the groove on the bar. Begin on the top edge of the bar. **(15)**

Make sure that the edges of the cutting links are facing forward on the top edge of the bar.

Fit the clutch cover (the chain brake) and locate the chain adjuster pin in the hole in the bar. Check that the drive links of the chain fit correctly over the drive sprocket and that the chain is correctly located in the groove in the bar. Tighten the bar nuts finger tight. **(16)**

Tension the chain by turning the chain tensioning screw clockwise using the combination spanner. The chain should be tensioned until it does not sag from the underside of the bar. See instructions under the heading Tensioning the chain. **(17)**

The chain is correctly tensioned when it does not sag from the underside of the bar, but can still be turned easily by hand. Hold up the bar tip and tighten the bar nuts with the combination spanner. **(18)**

When fitting a new chain, the chain tension has to be checked frequently until the chain is run-in. Check the chain tension regularly. A correctly tensioned chain ensures good cutting performance and long life. **(19)**

Fitting a spike bumper

To fit a spike bumper – contact your service agent.

Fuel

Note! The machine is equipped with a two-stroke engine and must always be run using a mixture of petrol and two-stroke oil. It is important to accurately measure the amount of oil to be mixed to ensure that the correct mixture is obtained. When mixing small amounts of fuel, even small inaccuracies can drastically affect the ratio of the mixture.



WARNING! Always ensure there is adequate ventilation when handling fuel.

Petrol

- Use good quality unleaded or leaded petrol.
- The lowest recommended octane grade is 90 (RON). If you run the engine on a lower octane grade than 90 so-called knocking can occur. This gives rise to a high engine temperature and increased bearing load, which can result in serious engine damage.
- When working with continuous high revs (e.g. limbing) a higher octane is recommended.

Running-in

Avoid running at a too high speed for extended periods during the first 10 hours.

Two-stroke oil

- For best results and performance use JONSERED two-stroke engine oil, which is specially formulated for our air-cooled two-stroke engines.
- Never use two-stroke oil intended for water-cooled engines, sometimes referred to as outboard oil (rated TCW).
- Never use oil intended for four-stroke engines.
- A poor oil quality and/or too high oil/fuel ratio may jeopardise function and decrease the life time of catalytic converters.

Mixing ratio

1:50 (2%) with JONSERED two-stroke oil.

1:33 (3%) with oils class JASO FB or ISO EGB formulated for air-cooled, two-stroke engines.

Petrol, litre	Two-stroke oil, litre	
	2% (1:50)	3% (1:33)
5	0,10	0,15
10	0,20	0,30
15	0,30	0,45
20	0,40	0,60

Mixing

- Always mix the petrol and oil in a clean container intended for fuel.
- Always start by filling half the amount of the petrol to be used. Then add the entire amount of oil. Mix (shake) the fuel mixture. Add the remaining amount of petrol.
- Mix (shake) the fuel mixture thoroughly before filling the machine's fuel tank.
- Do not mix more than one month's supply of fuel at a time.
- If the machine is not used for some time the fuel tank should be emptied and cleaned.

Chain oil

- We recommend the use of special oil (chain oil) with good adhesion characteristics.
- Never use waste oil. This results in damage to the oil pump, the bar and the chain.
- It is important to use oil of the right grade (suitable viscosity range) to suit the air temperature.
- In temperatures below 0°C (32°F) some oils become too viscous. This can overload the oil pump and result in damage to the oil pump components.
- Contact your service agent when choosing chain oil.

Fuelling



WARNING! Taking the following precautions, will lessen the risk of fire:

Do not smoke and do not place any hot objects in the vicinity of fuel.

Always stop the engine and let it cool for a few minutes before refuelling.

When refuelling, open the fuel cap slowly so that any excess pressure is released gently.

Tighten the fuel cap carefully after refuelling.

Always move the machine away from the refuelling area before starting.

Clean the area around the fuel cap. Clean the fuel and chain oil tanks regularly. The fuel filter must be replaced at least once a year. Contamination in the tanks causes malfunction. Make sure the fuel is well mixed by shaking the container before refuelling. The capacities of the chain oil tank and fuel tank are carefully matched. You should therefore always fill the chain oil tank and fuel tank at the same time.



WARNING! Fuel and fuel vapour are highly flammable. Take care when handling fuel and chain oil. Be aware of the risks of fire, explosion and those associated with inhalation.

Fuel safety

- Never refuel the machine while the engine is running.
- Make sure there is plenty of ventilation when refuelling or mixing fuel (petrol and 2-stroke oil).
- Move the machine at least 3 m from the refuelling point before starting it.
- Never start the machine:
 - 1 If you have spilt fuel or chain oil on the machine. Wipe off the spillage and allow remaining fuel to evaporate.
 - 2 If you have spilt fuel on yourself or your clothes, change your clothes. Wash any part of your body that has come in contact with fuel. Use soap and water.
 - 3 If the machine is leaking fuel. Check regularly for leaks from the fuel cap and fuel lines.



WARNING! Never use a machine with visible damage to the spark plug guard and ignition cable. A risk of sparking arises, which can cause a fire.

Transport and storage

- Always store the chain saw and fuel so that there is no risk of leakages or fumes coming into contact with sparks or naked flames from electrical equipment, electric motors, relays/switches, boilers and the like.
- Always store fuel in an approved container designed for that purpose.
- For longer periods of storage or for transport of the chain saw, the fuel and chain oil tanks should be emptied. Ask where you can dispose of waste fuel and chain oil at your local petrol station.
- Ensure the machine is cleaned and that a complete service is carried out before long-term storage.
- The bar guard must always be fitted to the cutting attachment when the machine is being transported or in storage, in order to prevent accident contact with the sharp chain. Even a non-moving chain can cause serious cuts to yourself or persons you bump into with an exposed chain.
- Secure the machine during transport.

Long-term storage

Empty the fuel/oil tanks in a well ventilated area. Store the fuel in approved cans in a safe place. Fit the bar guard. Clean the machine. See instructions under the heading Maintenance schedule.

Starting and stopping



WARNING! Note the following before starting:

The chain brake must be engaged when the chain saw is started to reduce the chance of contact with the moving chain during starting.

Never start a chain saw unless the bar, chain and all covers are fitted correctly. Otherwise the clutch can come loose and cause personal injuries.

Place the machine on firm ground. Make sure you have a secure footing and that the chain cannot touch anything.

Keep people and animals well away from the working area.

Cold engine

Starting: The chain brake must be engaged when the chain saw is started. Activate the brake by moving the front hand guard forwards. (20)

1. Air purge: Press the air purge repeatedly until fuel begins to fill the bulb. The bulb need not be completely filled. (23)

2. Choke: Pull the blue choke/fast idle lever out to the full extent (to the **FULL CHOKE** position). When the choke/fast idle lever is pulled out to the full extent, the correct throttle setting is set automatically. (21)

Start throttle: The correct choke/start throttle setting is obtained by moving the control to the choke position. (22)

Starting

Grip the front handle with your left hand. Hold the chain saw on the ground by placing your right foot through the rear handle.

3. Pull the starter handle with your right hand and pull out the starter cord slowly until you feel a resistance (as the starter pawls engage) then pull firmly and rapidly. **Never twist the starter cord around your hand.** (25)

CAUTION! Do not pull the starter cord all the way out and do not let go of the starter handle when the cord is fully extended. This can damage the machine.

4. Push in the choke control to the "1/2 choke" setting as soon as the engine fires which can be heard through a "puff" sound. (21)

5. Keep on pulling the cord powerfully until the engine starts. (26) Allow engine to warm for thirty seconds, then squeeze throttle trigger to set normal idle.

As the chain brake is still engaged the speed of the engine must be set to idling as soon as possible, this is achieved by quickly pressing the throttle trigger once. This prevents unnecessary wear to the clutch, clutch drum and brake band.

Note! Reactivate the chain brake by pushing the front hand guard back towards the front handle. (27) The chain saw is now ready for use.

Warm engine

Use the same procedure as for starting a cold engine but without setting the choke control in the choke position. Set the throttle to the start position by pulling out the blue choke control to the choke position and then pushing it in again. (24)



WARNING! Long term inhalation of the engine's exhaust fumes, chain oil mist and dust from sawdust can represent a health risk.

- Never start a chain saw unless the bar, chain and all covers are fitted correctly. See instructions under the heading Assembly. Without a bar and chain attached to the chain saw the clutch can come loose and cause serious injury. (28)
- The chain brake should be activated when starting. See instructions under the heading Start and stop. Do not drop start. This method is very dangerous because you may lose control of the saw. (29)
- Never start the machine indoors. Exhaust fumes can be dangerous if inhaled.
- Observe your surroundings and make sure that there is no risk of people or animals coming into contact with the cutting equipment.
- Always hold the saw with both hands. The right hand should be on the rear handle, and the left hand on the front handle. All people, whether right or left handed, should use this grip. Use a firm grip with thumbs and fingers encircling the chain saw handles. (30)

Stopping

Stop the engine by pressing down the stop button. (31)

Before use: (32)

- 1 Check that the chain brake works correctly and is not damaged.
- 2 Check that the rear right hand guard is not damaged.
- 3 Check that the throttle lockout works correctly and is not damaged.
- 4 Check that the stop switch works correctly and is not damaged.
- 5 Check that all handles are free from oil.
- 6 Check that the anti vibration system works and is not damaged.
- 7 Check that the muffler is securely attached and not damaged.
- 8 Check that all parts of the chain saw are tightened correctly and that they are not damaged or missing.
- 9 Check that the chain catcher is in place and not damaged.
- 10 Check the chain tension.

General working instructions

IMPORTANT!

This section describes basic safety rules for using a chain saw. This information is never a substitute for professional skills and experience. If you get into a situation where you feel unsafe, stop and seek expert advice. Contact your chain saw dealer, service agent or an experienced chain saw user. Do not attempt any task that you feel unsure of!

Before using a chain saw you must understand the effects of kickback and how to avoid them. See instructions under the heading How to avoid kickback.

Before using a chain saw you must understand the difference between cutting with the top and bottom edges of the bar. See instructions under the headings How to avoid kickback and Machine's safety equipment.

Wear personal protective equipment. See instructions under the heading Personal protective equipment.

Basic safety rules

- 1 Look around you:
 - To ensure that people, animals or other things cannot affect your control of the machine.
 - To make sure that none of the above might come within reach of your saw or be injured by falling trees.

CAUTION! Follow the instructions above, but do not use a chain saw in a situation where you cannot call for help in case of an accident.

- 2 Do not use the machine in bad weather, such as dense fog, heavy rain, strong wind, intense cold, etc. Working in bad weather is tiring and often brings added risks, such as icy ground, unpredictable felling direction, etc.
- 3 Take great care when removing small branches and avoid cutting bushes (i.e. cutting many small

branches at the same time). Small branches can be grabbed by the chain and thrown back at you, causing serious injury.

- 4 Make sure you can move and stand safely. Check the area around you for possible obstacles (roots, rocks, branches, ditches, etc.) in case you have to move suddenly. Take great care when working on sloping ground.
- 5 Take great care when cutting a tree that is in tension. A tree that is in tension may spring back to its normal position before or after being cut. If you position yourself incorrectly or make the cut in the wrong place the tree may hit you or the machine and cause you to lose control. Both situations can cause serious personal injury.
- 6 Before moving your chain saw switch off the engine and lock the chain using the chain brake. Carry the chain saw with the bar and chain pointing backwards. Fit a guard to the bar before transporting the chain saw or carrying it for any distance.
- 7 When you put the chain saw on the ground, lock the saw chain using the chain brake and ensure you have a constant view of the machine. Switch the engine off before leaving your chain saw for any length of time.



WARNING! Sometimes chips get stuck in the clutch cover causing the chain to jam. Always stop the engine before cleaning.

General rules

- 1 If you understand what kickback is and how it happens then you can reduce or eliminate the element of surprise. By being prepared you reduce the risk. Kickback is usually quite mild, but it can sometimes be very sudden and violent.
- 2 Always hold the chain saw firmly with your right hand on the rear handle and your left hand on the front handle. Wrap your fingers and thumbs around the handles. You should use this grip whether you are right-handed or left-handed. This grip minimises the effect of kickback and lets you keep the chain saw under control. **Do not let go of the handles!**
- 3 Most kickback accidents happen during limbing. Make sure you are standing firmly and that there is nothing in the way that might make you trip or lose your balance.

Lack of concentration can lead to kickback if the kickback zone of the bar accidentally touches a branch, nearby tree or some other object.

Have control over the workpiece. If the pieces you intend to cut are small and light, they can jam in the saw chain and be thrown towards you. This is not necessarily dangerous in itself, but you may be surprised and lose control of the saw. Never saw stacked logs or branches without first separating them. Only saw one log or one piece at a time. Remove the cut pieces to keep your working area safe.

- 4 **Never use the chain saw above shoulder height and try not to cut with the tip of the bar. Never use the chain saw one-handed! (33)**
- 5 You must have a steady stance in order to have full control over the chain saw. Never work standing on a ladder, in a tree or where you do not have firm ground to stand on. (34)
- 6 Always use a fast cutting speed, i.e. full throttle.
- 7 Take great care when you cut with the top edge of the bar, i.e. when cutting from the underside of the object. This is known as cutting on the push stroke. The chain tries to push the chain saw back towards the user. If the saw chain is jamming, the saw may be pushed back at you.
- 8 Unless the user resists this pushing force there is a risk that the chain saw will move so far backwards that only the kickback zone of the bar is in contact with the tree, which will lead to a kickback. (35)

Cutting with the bottom edge of the bar, i.e. from the top of the object downwards, is known as cutting on the pull stroke. In this case the chain saw pulls itself towards the tree and the front edge of the chain saw body rests naturally on the trunk when cutting. Cutting on the pull stroke gives the operator better control over the chain saw and the position of the kickback zone.

- 9 Follow the instructions on sharpening and maintaining your bar and chain. When you replace the bar and chain use only combinations that are recommended by us. See instructions under the headings Cutting equipment and Technical data.

Basic cutting technique



WARNING! Never use a chain saw by holding it with one hand. A chain saw is not safely controlled with one hand. Always have a secure, firm grip around the handles with both hands.

General

- Always use full throttle when cutting!
- Reduce the speed to idle after every cut (running the engine for too long at full throttle without any load, i.e. without any resistance from the chain during cutting, can lead to serious engine damage).
- Cutting from above = Cutting on the pull stroke.
- Cutting from below = Cutting on the push stroke.

Cutting on the push stroke increases the risk of kickback. See instructions under the heading How to avoid kickback.

Terms

Cutting = General term for cutting through wood.

Limbing = Cutting branches off a felled tree.

Splitting = When the object you are cutting breaks off before the cut is complete.

There are five important factors you should consider before making a cut:

- 1 Make sure the cutting equipment will not jam in the cut.
- 2 Make sure the object you are cutting will not split.
- 3 Make sure the chain will not strike the ground or any other object during or after cutting.
- 4 Is there a risk of kickback?
- 5 Do the conditions and surrounding terrain affect how safely you can stand and move about?

Two factors decide whether the chain will jam or the object that you are cutting will split: the first is how the object is supported before and after cutting, and the second is whether it is in tension.

In most cases you can avoid these problems by cutting in two stages; from the top and from the bottom. You need to support the object so that it will not trap the chain or split during cutting.

IMPORTANT! If the chain jams in the cut: stop the engine! Don't try to pull the chain saw free. If you do you may be injured by the chain when the chain saw suddenly breaks free. Use a lever to open up the cut and free the chain saw.

The following instructions describe how to handle the commonest situations you are likely to encounter when using a chain saw.

Limbing

When limbing thick branches you should use the same approach as for cutting.

Cut difficult branches piece by piece.

Cutting



WARNING! Never attempt to cut logs while they are in a pile or when a couple of logs are lying together. Such procedures drastically increase the risk of kickback which can result in a serious or fatal injury.

If you have a pile of logs, each log you attempt to cut should be removed from the pile, placed on a saw horse or runners and cut individually.

Remove the cut pieces from the cutting area. By leaving them in the cutting area, you increase the risk for inadvertently getting a kickback, as well as increasing the risk of losing your balance while working.

The log is lying on the ground. There is little risk of the chain jamming or the object splitting. However there is a risk that the chain will touch the ground when you finish the cut.

Cut all the way through the log from above. Avoid letting the chain touch the ground as you finish the cut. Maintain full throttle but be prepared for what might happen. (36)

If it is possible (can you turn the log?) stop cutting about 2/3 of the way through the log.

Turn the log and finish the cut from the opposite side.

The log is supported at one end. There is a high risk that it will split.

Start by cutting from below (about 1/3 of the way through).

Finish by cutting from above so that the two cuts meet.

The log is supported at both ends. There is a high risk that the chain will jam.

Start by cutting from above (about 1/3 of the way through).

Finish by cutting from below so that the two cuts meet.

Tree felling technique

IMPORTANT! It takes a lot of experience to fell a tree. Inexperienced users of chain saws should not fell trees. Do not attempt any task that you feel unsure of!

Safe distance

The safe distance between a tree that is to be felled and anyone else working nearby is at least 2 1/2 tree lengths. Make sure that no-one else is in this "risk zone" before or during felling. **(37)**

Felling direction

The aim is to fell the tree in a position where you can limb and cross-cut the log as easily as possible. You want it to fall in a location where you can stand and move about safely.

Once you have decided which way you want the tree to fall you must judge which way the tree would fall naturally.

Several factors affect this:

- Lean of the tree
- Bend
- Wind direction
- Arrangement of branches
- Weight of snow
- Obstacles within the reach of the tree: for example, other trees, power lines, roads and buildings.
- Look for signs of damage and rot in the stem, this makes it more probably that the tree will break and start to fall before you expect it to.

You may find you are forced to let the tree fall in its natural direction because it is impossible or dangerous to try to make it fall in the direction you first intended.

Another very important factor, which does not affect the felling direction but does affect your safety, is to make sure the tree has no damaged or dead branches that might break off and hit you during felling.

The main point to avoid is letting the tree fall onto another tree. It is very dangerous to remove a trapped tree and there is high accident risk. See instructions under the heading Freeing a tree that has fallen badly.

IMPORTANT! During critical felling operations, hearing protectors should be lifted immediately when sawing is completed so that sounds and warning signals can be heard.

Clearing the trunk and preparing your retreat

Delimb the stem up to shoulder height. It is safer to work from the top down and to have the tree between you and the saw.

Remove any undergrowth from the base of the tree and check the area for obstacles (stones, branches, holes, etc.) so that you have a clear path of retreat when the tree starts to fall. Your path of retreat should be roughly 135 degrees away from the intended felling direction.

(38)

- 1 Danger zone
- 2 Retreat path
- 3 Felling direction

Felling



WARNING! Unless you have special training we advise you not to fell trees with a diameter larger than the bar length of your saw!

Felling is done using three cuts. First you make the directional cuts, which consist of the top cut and the bottom cut, then you finish with the felling cut. By placing these cuts correctly you can control the felling direction very accurately.

Directional cuts

To make the directional cuts you begin with the top cut. Stand to the right of the tree and cut on the pull stroke.

Next make the bottom cut so that it finishes exactly at the end of the top cut. **(39)**

The directional cuts should run 1/4 of the diameter through the trunk and the angle between the top cut and bottom cut should be 45°.

The line where the two cuts meet is called the directional cut line. This line should be perfectly horizontal and at right angles (90°) to the chosen felling direction. **(40)**

Felling cut

The felling cut is made from the opposite side of the tree and it must be perfectly horizontal. Stand on the left side of the tree and cut on the pull stroke.

Make the felling cut about 3-5 cm (1.5-2 inches) above the bottom directional cut.

Set the spike bumper (if one is fitted) just behind the felling hinge. Use full throttle and advance the chain/bar slowly into the tree. Make sure the tree does not start to move in the opposite direction to your intended felling direction. Drive a wedge or breaking bar into the cut as soon as it is deep enough. **(41)**

Finish the felling cut parallel with the directional cut line so that the distance between them is at least 1/10 of the trunk diameter. The uncut section of the trunk is called the felling hinge.

The felling hinge controls the direction that the tree falls in. **(42)**

All control over the felling direction is lost if the felling hinge is too narrow or non-existent, or if the directional cuts and felling cut are badly placed.

When the felling cut and directional cut are complete the tree should start to fall by itself or with the aid of a felling wedge or breaking bar.

We recommend that you use a bar that is longer than the diameter of the tree, so that you can make the felling cut and directional cuts with single cutting strokes. See

instructions under the heading Technical data section to find out which lengths of bar are recommended for your saw.

There are methods for felling trees with a diameter larger than the bar length. However these methods involve a much greater risk that the kickback zone of the bar will come into contact with the tree.

Freeing a tree that has fallen badly

Freeing a "trapped tree"

It is very dangerous to remove a trapped tree and there is high accident risk.

Never try to fell the tree that is trapped.

Never work in the risk zone of the hanging trapped tree.

The safest method is to use a winch.

- Tractor-mounted
- Portable

Cutting trees and branches that are in tension

Preparations: Work out which side is in tension and where the point of maximum tension is (i.e. where it would break if it was bent even more).

Decide which is the safest way to release the tension and whether you are able to do it safely. In complicated situations the only safe method is to put aside your chain saw and use a winch.

General advice:

Position yourself so that you will be clear of the tree or branch when the tension is released.

Make one or more cuts at or near the point of maximum tension. Make as many cuts of sufficient depth as necessary to reduce the tension and make the tree or branch break at the point of maximum tension.

Never cut straight through a tree or branch that is in tension!

If you must cut across tree/limb, make two to three cuts, one inch apart, one to two inches deep.

Continue to cut deeper until tree/limb bends and tension is released.

Cut tree/limb from outside the bend, after tension has been released.

How to avoid kickback



WARNING! Kickback can happen very suddenly and violently; kicking the chain saw, bar and chain back at the user. If this happens when the chain is moving it can cause very serious, even fatal injuries. It is vital you understand what causes kickback and that you can avoid it by taking care and using the right working technique.

What is kickback?

The word kickback is used to describe the sudden reaction that causes the chain saw and bar to jump off an object when the upper quadrant of the tip of the bar, known as the kickback zone, touches an object. (43)

Kickback always occurs in the cutting plane of the bar. Normally the chain saw and bar are thrown backwards and upwards towards the user. However, the chain saw may move in a different direction depending on the way it was being used when the kickback zone of the bar touched the object.

Kickback only occurs if the kickback zone of the bar touches an object. (44)

Limbing



WARNING! A majority of kickback accidents occur during limbing. Do not use the kickback zone of the guide bar. Be extremely cautious and avoid contacting the log, other limbs or objects with the nose of the guide bar. Be extremely cautious of limbs under tension. They can spring back toward you and cause loss of control resulting in injury.

Make sure that you can stand and move about safely. Work on the left side of the trunk. Work as close as possible to the chain saw for maximum control. If possible, let the weight of the chain saw rest on the trunk.

Keep the trunk between you and the chain saw as you move along the trunk.

Cutting the trunk into logs

See instructions under the heading Basic cutting technique.

General

The user must only carry out the maintenance and service work described in this Operator's Manual. More extensive work must be carried out by an authorised service workshop.

Carburettor adjustment

Your Jonsered product has been designed and manufactured to specifications that reduce harmful exhaust fumes.

Function

- The carburettor governs the engine's speed via the throttle control. Air and fuel are mixed in the carburettor. The air/fuel mixture is adjustable. Correct adjustment is essential to get the best performance from the machine.
- The T-screw regulates the throttle setting at idle speed. If the T-screw is turned clockwise this gives a higher idle speed; turning it anti-clockwise gives a lower idle speed.

Basic settings and running in

The basic carburettor settings are adjusted during testing at the factory. Fine adjustment should be carried out by a skilled technician.

Rec. idle speed: See the Technical data section.

Fine adjustment of the idle speed T

Adjust the idle speed with the T-screw. If it is necessary to re-adjust, turn the T-screw clockwise while the engine is running, until the chain starts to rotate. Then turn anti-clockwise until the chain stops. When the idle speed is correctly adjusted the engine should run smoothly in every position and the engine speed should be safely below the speed at which the chain starts to rotate.



WARNING! Contact your servicing dealer, if the idle speed setting cannot be adjusted so that the chain stops. Do not use the chain saw until it has been properly adjusted or repaired.

Checking, maintaining and servicing chain saw safety equipment

Note! All service and repair work on the machine demands special training. This is especially true of the machine's safety equipment. If your machine fails any of the checks described below we recommend that you take it to your service workshop. Any maintenance other than that described in this manual must be carried out by your servicing dealer (retailer).
Switch off the engine and take off the ignition cable before repairs or maintenance

Chain brake and front hand guard

Checking brake band wear

Brush off any wood dust, resin and dirt from the chain brake and clutch drum. Dirt and wear can impair operation of the brake. **(45)**

Regularly check that the brake band is at least 0.6 mm thick at its thinnest point.

Checking the front hand guard

Make sure the front hand guard is not damaged and that there are no visible defects such as cracks.

Move the front hand guard forwards and back to make sure it moves freely and that it is securely anchored to the clutch cover. **(46)**

Checking the inertia brake release

Place the chain saw, with the engine switched off, on a stump or other stable surface. Release the front handle and let the saw fall by its own weight, rotating around the rear handle towards the stump.

When the bar hits the stump the brake should be applied. (47)

Checking the brake trigger

Place the chain saw on firm ground and start it. Make sure the chain does not touch the ground or any other object. See the instructions under the heading Start and stop.

Grasp the chain saw firmly, wrapping your fingers and thumbs around the handles.

Apply full throttle and activate the chain brake by tilting your left wrist forward onto the front hand guard. Do not let go of the front handle. **The chain should stop immediately.**

Throttle lockout

- Make sure the throttle control is locked at the idle setting when the throttle lockout is released.
- Press the throttle lockout and make sure it returns to its original position when you release it.
- Check that the throttle control and throttle lockout move freely and that the return springs work properly.
- Start the chain saw and apply full throttle. Release the throttle control and check that the chain stops and remains stationary. If the chain rotates when the throttle control is in the idle position you should check the carburettor idle adjustment.

Chain catcher

Check that the chain catcher is not damaged and is firmly attached to the body of the chain saw.

Right hand guard

Check that the right hand guard is not damaged and that there are no visible defects, such as cracks.

Vibration damping system

Regularly check the vibration damping units for cracks or deformation.

Make sure the vibration damping units are securely attached to the engine unit and handle unit.

Stop switch

Start the engine and make sure the engine stops when you move the stop switch to the stop setting.

Muffler

Never use a machine that has a faulty muffler. Regularly check that the muffler is securely attached to the machine.

Note: The spark arrestor screen (A) on this machine is serviceable. **(48)** The mesh must be replaced if it is damaged. If the mesh is blocked the machine will overheat and this will cause damage to the cylinder and piston. Never use a machine with a muffler that is in poor condition. **Never use a muffler if the spark arrestor mesh is missing or defective.**

For normal homeowner use, the muffler and spark arresting screen will not require replacement.

Air filter

The air filter must be regularly cleaned to remove dust and dirt in order to avoid:

- Carburettor malfunctions
 - Starting problems
 - Loss of engine power
 - Unnecessary wear to engine parts.
 - Excessive fuel consumption.
- Remove the air filter (3) after taking off the cylinder cover, screw (1) and filter cover (2). When refitting make sure that the air filter seals tightly against the filter holder. Clean the filter by brushing or shaking it. **(49)**

The filter can be cleaned more thoroughly by washing it in water and detergent.

An air filter that has been in use for a long time cannot be cleaned completely. The filter must therefore be replaced with a new one at regular intervals. **A damaged air filter must always be replaced.**

Spark plug

The spark plug condition is influenced by:

- Incorrect carburettor adjustment.
- An incorrect fuel mixture (too much or incorrect type of oil).
- A dirty air filter.

These factors cause deposits on the spark plug electrodes, which may result in operating problems and starting difficulties.

If the machine is low on power, difficult to start or runs poorly at idle speed: always check the spark plug first before taking any further action. If the spark plug is dirty, clean it and check that the electrode gap is 0.5 mm. The spark plug should be replaced after about a month in operation or earlier if necessary. **(50)**

Note! Always use the recommended spark plug type! Use of the wrong spark plug can damage the piston/cylinder. Check that the spark plug is fitted with a suppressor.

MAINTENANCE

Maintenance schedule

The following is a list of the maintenance that must be performed on the machine. Most of the items are described in the Maintenance section.

Daily maintenance (Every 5-10 h)	Weekly maintenance (Every 10-25 h)	Monthly maintenance (Every 25-40 h)
Clean the outside of the machine.	Check the starter, the starter cord and the recoil spring.	Check the brake band on the chain brake for wear. Replace when less than 0.6 mm (0.024 inch) remains at the most worn point.
Check that the components of the throttle control work safely. (Throttle lockout and throttle control.)	Check that the vibration damping elements are not damaged.	Check the clutch centre, clutch drum and clutch spring for wear.
Clean the chain brake and check that it operates safely. Make sure that the chain catcher is undamaged, and replace it if necessary.	File off any burrs from the edges of the bar.	Clean the spark plug. Check that the electrode gap is 0.5 mm.
The bar should be turned daily for more even wear. Check the lubrication hole in the bar, to be sure it is not clogged. Clean the bar groove. If the bar has a sprocket tip, this should be lubricated.	Clean the carburettor compartment.	Clean the outside of the carburettor.
Check that the bar and chain are getting sufficient oil.	Clean the air filter. Replace if necessary.	Check the fuel filter and the fuel hose. Replace if necessary.
Check the saw chain with regard to visible cracks in the rivets and links, whether the saw chain is stiff or whether the rivets and links are abnormally worn. Replace if necessary.		Empty the fuel tank and clean the inside.
Sharpen the chain and check its tension and condition. Check the drive sprocket for excessive wear and replace if necessary.		Empty the oil tank and clean the inside.
Clean the starter units air intake.		Check all cables and connections.
Check that nuts and screws are tight.		
Check that the stop switch works correctly.		
Check that there are no fuel leaks from the engine, tank or fuel lines.		

TECHNICAL DATA

Technical data

	CS 2234	CS 2238
Engine		
Cylinder displacement, cm ³	38	38
Stroke, mm	32	32
Idle speed, rpm	3000	3000
Power, kW	1,4/9000	1,5/9000
Ignition system		
Spark plug	Champion RCJ 7Y	Champion RCJ 7Y
Electrode gap, mm	0,5	0,5
Fuel and lubrication system		
Fuel tank capacity, litre	0,3	0,3
Oil pump capacity at 8,500 rpm, ml/min	7	7
Oil tank capacity, litre	0,19	0,19
Type of oil pump	Automatic	Automatic
Weight		
Chain saw without bar or chain, empty tanks, kg	4,7	4,7
Noise emissions (see note 1)		
Sound power level, measured dB(A)	115	115
Sound power level, guaranteed L _{WA} dB(A)	118	118
Sound levels (see note 2)		
Equivalent sound pressure level at the operator's ear, dB(A)	100,6	100,6
Equivalent vibration levels, a_{hveq} (see note 3)		
Front handle, m/s ²	3,7	3,7
Rear handle, m/s ²	5,1	5,1
Chain/bar		
Standard bar length, inch/cm	14/35, 16/40	14/35, 16/40
Recommended bar lengths, inch/cm	14/35, 16/40	14/35, 16/40
Usable cutting length, inch/cm	13,5/34, 15,5/39	13,5/34, 15,5/39
Pitch, inch/mm	3/8 / 9,52	3/8 / 9,52
Thickness of drive links, inch/mm	0,050/1,3	0,050/1,3
Type of drive sprocket/number of teeth	6	6
Chain speed at max. power, m/sec	17,1	17,1

Note 1: Noise emissions in the environment measured as sound power (L_{WA}) in conformity with EC directive 2000/14/EC.

Note 2: Equivalent sound pressure level, according to ISO 22868, is calculated as the time-weighted energy total for different sound pressure levels under various working conditions. Typical statistical dispersion for equivalent sound pressure level is a standard deviation of 1 dB (A).




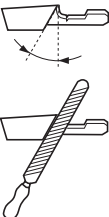

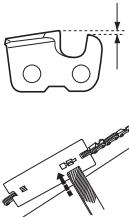
Note 3: Equivalent vibration level, according to ISO 22867, is calculated as the time-weighted energy total for vibration levels under various working conditions. Reported data for equivalent vibration level has a typical statistical dispersion (standard deviation) of 1 m/s².

TECHNICAL DATA

Bar and chain combinations

The following cutting attachments are approved for the models Jonsered CS 2234 and CS 2238.

Bar				Chain	
Length, inch	Pitch, inch	Gauge, mm	Max. nose radius	Type	Length, drive links (no.)
14	3/8	1,3	7T	Jonsered H37	52
16	3/8		7T		56
18	3/8		7T		62

					
	inch/mm				inch/mm
H37	5/32/4,0	80°	30°	0°	0.025/0,65

EC-declaration of conformity

(Applies to Europe only)

Husqvarna AB, SE-561 82 Huskvarna, Sweden, tel: +46-36-146500, declares under sole responsibility that the chain saws **Jonsered CS 2234 and CS 2238** from 2009's serial numbers and onwards (the year is clearly stated in plain text on the type plate with subsequent serial number), are in conformity with the requirements of the COUNCIL'S DIRECTIVES:

- of May 17, 2006 "relating to machinery" **2006/42/EG**.
- of December 15, 2004 "relating to electromagnetic compatibility" **2004/108/EC**, and applicable supplements.
- of May 8, 2000 "relating to the noise emissions in the environment" **2000/14/EC**.

For information relating to noise emissions, see the chapter Technical data. The following standards have been applied: **EN ISO 12100-2:2003, CISPR 12:2001, EN ISO 11681-1:2004**

Notified body: **0404, SMP Svensk Maskinprovning AB**, Fyrisborgsgatan 3, SE-754 50 Uppsala, Sweden, has carried out EC type examination in accordance with the machinery directive's (2006/42/EC) article 12, point 3b. The certificate for EC type examination in accordance with annex IX, has the number: **0404/09/2048**.

In addition, SMP, Svensk Maskinprovning AB, Fyrisborgsgatan 3, SE-754 50 Uppsala, Sweden, has certified conformity with annex V of the Council's Directive of May 8, 2000 "relating to the noise emissions in the environment" 2000/14/EC. The certificates have the numbers: **26/161/003** - CS 2234, **26/161/004** - CS 2238.

The supplied chain saw conforms to the example that underwent EC type examination.

Huskvarna December 29, 2009



Ronnie E. Goldman, Director of Engineering. (Authorized representative for Husqvarna AB and responsible for technical documentation).

Apreciado cliente:

¡Felicidades por haber adquirido un producto Jonsered!

Estamos convencidos de que usted apreciará con satisfacción la calidad y prestaciones de nuestro producto por mucho tiempo en adelante. Con la adquisición de alguno de nuestros productos, usted dispone de asistencia profesional con reparaciones y servicio en caso de ocurrir algo. Si ha adquirido el producto en un punto de compra que no es uno de nuestros concesionarios autorizados, pregúnteles por el taller de servicio más cercano.

Esperamos que su máquina le proporcione plena satisfacción y le sirva de ayuda por mucho tiempo en adelante. Tenga en cuenta que este manual de instrucciones es un documento de valor. Siguiendo sus instrucciones (de uso, servicio, mantenimiento, etcétera) puede alargar considerablemente la vida útil de la máquina e incrementar su valor de reventa. Si vende su máquina, entregue el manual de instrucciones al nuevo propietario.

¡Mucha suerte con la utilización de su producto Jonsered!

Jonsered trabaja constantemente para perfeccionar sus productos y se reserva, por lo tanto, el derecho a introducir modificaciones en la construcción y el diseño sin previo aviso.

Símbolos en la máquina:

¡ATENCIÓN! ¡Las motosierras pueden ser peligrosas! Su uso descuidado o erróneo puede provocar heridas graves o mortales al operador o terceros.

Lea detenidamente el manual de instrucciones y asegúrese de entender su contenido antes de utilizar la máquina.

Utilice siempre:

- Casco protector homologado
- Protectores auriculares homologados
- Gafas protectoras o visor

Este producto cumple con la directiva CE vigente.

Las emisiones sonoras en el entorno según la directiva de la Comunidad Europea. Las emisiones de la máquina se indican en el capítulo Datos técnicos y en la etiqueta.

El operador debe manejar la motosierra con ambas manos.

No manejar nunca una motosierra sujetándola sólo con una mano.

Debe evitarse que la punta de la espada entre en contacto con ningún objeto.

¡ATENCIÓN! Si la punta de la espada toca en un objeto se puede producir reculada que lanza la espada hacia arriba y atrás contra el usuario. Ello puede causar daños personales graves.

Freno de cadena, activado (izquierda). Freno de cadena, no activado (derecha).



Los demás símbolos/etiquetas que aparecen en la máquina corresponden a requisitos de homologación específicos en determinados mercados.

¿Qué es qué en la motosierra? (1)

1	Etiqueta adhesiva de información y advertencia
2	Cubierta del cilindro
3	Bomba de combustible
4	Empuñadura de arranque
5	Estrangulador/Bloqueo del acelerador de arranque
6	Botón de parada (Conexión y desconexión del encendido.)
7	Mango trasero
8	Depósito de combustible
9	Tornillos de reglaje del carburador
10	Mecanismo de arranque
11	Depósito de aceite de cadena
12	Placa de identificación
13	Fiador del acelerador (Impide las aceleraciones involuntarias.)
14	Mango delantero
15	Protección contra reculadas
16	Silenciador
17	Espada
18	Cabezal de rueda
19	Cadena
20	Apoyo de corteza
21	Captor de cadena
22	Tornillo de tensado de cadena
23	Cubierta del embrague
24	Empuñadura trasera con protección para la mano derecha
25	Acelerador
26	Manual de instrucciones
27	Llave combinada
28	Protección de la espada

Índice

INTRODUCCIÓN

Apreciado cliente:	26
Símbolos en la máquina:	26
¿Qué es qué en la motosierra?	27

ÍNDICE

Índice	27
--------------	----

INSTRUCCIONES GENERALES DE SEGURIDAD

Medidas a tomar antes de utilizar una motosierra nueva	28
Importante	28
Emplee siempre el sentido común.	28
Equipo de protección personal	29
Equipo de seguridad de la máquina	29
Equipo de corte	31

MONTAJE

Montaje de la espada y la cadena	34
----------------------------------------	----

MANIPULACION DEL COMBUSTIBLE

Carburante	34
Repostaje	35
Seguridad en el uso del combustible	35

ARRANQUE Y PARADA

Arranque y parada	36
-------------------------	----

TÉCNICA DE TRABAJO

Antes de utilizar la máquina:	37
Instrucciones generales de trabajo	37
Medidas preventivas de las reculadas	40

MANTENIMIENTO

Generalidades	41
Ajuste del carburador	41
Control, mantenimiento y servicio del equipo de seguridad de la motosierra	41
Silenciador	42
Filtro de aire	42
Bujía	42
Programa de mantenimiento	43

DATOS TECNICOS

Datos técnicos	44
Combinaciones de espada y cadena	45
Declaración CE de conformidad	45

Medidas a tomar antes de utilizar una motosierra nueva

- Lea detenidamente el manual de instrucciones.
- **(1) - (51)** refiérase a las figuras en p. 2-5.
- Compruebe el montaje y ajuste del equipo de corte. Vea las instrucciones bajo el título Montaje.
- Ponga combustible y arranque la motosierra. Vea las instrucciones en los capítulos Manipulación del combustible y Arranque y parada.
- No utilice la motosierra hasta que haya llegado suficiente aceite lubricante a la cadena. Lea las instrucciones bajo el título Lubricación del equipo de corte.
- La exposición prolongada al ruido puede causar daños crónicos en el oído. Por consiguiente, use siempre protectores auriculares homologados.



¡ATENCIÓN! Bajo ninguna circunstancia debe modificarse la configuración original de la máquina sin autorización del fabricante. Utilizar siempre recambios originales. Las modificaciones y/o la utilización de accesorios no autorizados pueden ocasionar accidentes graves o incluso la muerte del operador o de terceros.



¡ATENCIÓN! La utilización errónea o descuidada de una motosierra puede convertirla en una herramienta peligrosa que puede causar accidentes graves e incluso mortales. Es muy importante que lea y comprenda el contenido de este manual de instrucciones.



¡ATENCIÓN! En el interior del silenciador hay sustancias químicas que pueden ser cancerígenas. Evitar el contacto con estas sustancias si se daña el silenciador.



¡ATENCIÓN! La inhalación prolongada de los gases de escape del motor, la neblina de aceite de cadena y el polvo de serrín puede poner en riesgo la salud.



¡ATENCIÓN! El sistema de encendido de esta máquina genera un campo electromagnético durante el funcionamiento. Este campo magnético puede, en determinadas circunstancias, interferir con marcapasos. Para reducir el riesgo de lesiones graves o letales, las personas que utilizan marcapasos deben consultar con su médico y con el fabricante del marcapasos antes de emplear esta máquina.

Importante

¡IMPORTANTE!

La máquina sólo está diseñada para aserrar madera. Utilice solamente las combinaciones de espada/cadena de sierra recomendadas en el capítulo Datos técnicos.

Nunca utilice la máquina si está cansado, si ha ingerido alcohol o si toma medicamentos que puedan afectarle la vista, su capacidad de discernimiento o el control del cuerpo.

Utilice el equipo de protección personal. Vea las instrucciones bajo el título Equipo de protección personal.

No modifique nunca esta máquina de forma que se desvíe de la versión original, y no la utilice si parece haber sido modificada por otras personas.

No utilice nunca una máquina defectuosa. Siga las instrucciones de mantenimiento, control y servicio de este manual. Algunas medidas de mantenimiento y servicio deben ser efectuadas por especialistas formados y cualificados. Vea las instrucciones bajo el título Mantenimiento.

Nunca utilice otros accesorios que los recomendados en este manual. Vea las instrucciones bajo los títulos Equipo de corte y Datos técnicos.

¡NOTA! Utilice siempre gafas protectoras o visera para reducir el riesgo de daños causados por objetos lanzados. Una motosierra puede lanzar con gran fuerza objetos como virutas, trozos de madera pequeños, etc. Ello comporta riesgo de daños personales graves, especialmente en los ojos.



¡ATENCIÓN! Si se hace funcionar el motor en un local cerrado o mal ventilado, se corre riesgo de muerte por asfixia o intoxicación con monóxido de carbono.



¡ATENCIÓN! Un equipo de corte defectuoso o una combinación errónea de espada/cadena de sierra aumentan el riesgo de reculadas. Utilice solamente las combinaciones de espada/cadena de sierra recomendadas y siga las instrucciones. Vea las instrucciones bajo el título Datos técnicos.

Emplee siempre el sentido común. (2)

Es imposible abarcar todas las situaciones imaginables que se pueden producir al utilizar una motosierra. Proceda con cuidado y emplee el sentido común. Evite todo uso para el cual no se sienta suficientemente calificado. Si después de leer estas instrucciones todavía se siente inseguro en cuanto al procedimiento de uso, consulte con un experto antes de proseguir. No dude en ponerse en contacto con el distribuidor o con nosotros si tiene alguna duda en cuanto al empleo de la motosierra. Estamos a su disposición para darle consejos que le ayuden a emplear su motosierra de forma mejor y más segura. Le recomendamos hacer un curso sobre empleo de motosierras. El distribuidor local, una escuela de silvicultura o una biblioteca pueden

INSTRUCCIONES GENERALES DE SEGURIDAD

informarle acerca del material de formación y los cursos disponibles. Se realiza un trabajo constante de mejoras del diseño y la técnica, que aumentan su seguridad y eficacia. Visite al distribuidor local regularmente para averiguar qué provecho pueden proporcionarle las novedades que se introducen.

Equipo de protección personal



¡ATENCIÓN! La mayoría de los accidentes con la motosierra se producen cuando la cadena toca al usuario. Para trabajar con la máquina debe utilizarse un equipo de protección personal homologado. El equipo de protección personal no elimina el riesgo de lesiones, pero reduce su efecto en caso de accidente. Pida a su distribuidor que le asesore en la elección del equipo.

- Casco protector homologado
- Protectores auriculares
- Gafas protectoras o visor
- Guantes con protección anticorte
- Pantalones con protección contra sierra
- Botas con protección anticorte, puntera de acero y suela antideslizante
- Tenga siempre a mano el equipo de primeros auxilios.
- Extintor de incendios y pala

Utilice prendas ajustadas que no limiten su movilidad.

¡IMPORTANTE! Pueden producirse chispas en el silenciador, la espada y la cadena o en otra fuente. Tenga siempre a mano herramientas para extinguir incendios, por si fueran necesarias. Así ayudará a prevenir incendios forestales.

Equipo de seguridad de la máquina

En este capítulo se explican los componentes de seguridad de la máquina y sus funciones. Para el control y mantenimiento, vea las instrucciones del capítulo Control, mantenimiento y servicio del equipo de seguridad de la motosierra. Vea el capítulo Componentes de la máquina para ver dónde están situados estos componentes en su máquina.

La vida útil de la máquina puede acortarse y el riesgo de accidentes puede aumentar si el mantenimiento de la máquina no se hace de forma adecuada y si los trabajos de servicio y/o reparación no se efectúan de forma profesional. Para más información, consulte con el taller de servicio oficial más cercano.



¡ATENCIÓN! No emplee nunca una máquina con equipo de seguridad defectuoso. El equipo de seguridad se debe controlar y mantener. Vea las instrucciones del capítulo Control, mantenimiento y servicio del equipo de seguridad de la motosierra. Si el control de su máquina no da resultado satisfactorio, hay que acudir a un taller de servicio para la reparación.

Freno de cadena con protección contra reculadas

Su motosierra está equipada con un freno de cadena diseñado para detener la cadena de sierra en caso de reculada. Un freno de cadena reduce el riesgo de accidentes, pero sólo es usted, el usuario, quien puede impedirlos.

Proceda con cuidado en la utilización de la sierra, procurando que el sector de riesgo de reculada de la espada nunca toque ningún objeto.

- El freno de cadena (A) se activa bien manualmente (con la mano izquierda) o por efecto de la inercia. **(3)**
- La activación se produce al empujar hacia delante la protección contra reculadas (B). **(3)**
- El movimiento activa un mecanismo de muelle que tensa la cinta del freno (C) alrededor del sistema de arrastre de la cadena (D) en el motor (tambor de embrague). **(4)**
- La protección contra reculadas no sólo activa el freno de cadena. También cumple otra función importante: reduce el riesgo de que la mano izquierda toque la cadena si el usuario suelta el mango delantero.
- El freno de cadena debe estar activado cuando se arranca la motosierra, para impedir que la cadena gire.
- Utilice el freno de cadena como 'freno de estacionamiento' al arrancar y para los traslados cortos a fin de prevenir accidentes por contacto involuntario de usted o el entorno con la cadena de sierra en movimiento.
- El freno de cadena se desacopla empujando la protección contra reculadas hacia atrás, contra el mango delantero.
- Las reculadas pueden ser rapidísimas y muy violentas. La mayoría de las reculadas son pequeñas y, por tanto, no siempre activan el freno de cadena. En estos casos debe sujetarse la motosierra con fuerza, sin soltarla.
- El modo de activación del freno de cadena, manual o por inercia, depende de la fuerza de la reculada y de la posición de la motosierra en relación al objeto con el que toca el sector de riesgo de reculada de la espada. En reculadas fuertes y con el sector de riesgo de reculada de la espada lo más lejos posible del usuario, el freno de cadena está diseñado para ser activado por su propio contrapeso (inercia) en el sentido de reculada.
En las reculadas poco violentas, o al trabajar con el sector de riesgo de reculada cerca del usuario, el freno de cadena se activa manualmente con la mano izquierda.
- En posición de tala, la mano izquierda está en una posición que permite la activación manual del freno de cadena. Con este agarre, cuando la mano izquierda está colocada de forma que no puede influir en el movimiento de la protección contra reculada, el freno de cadena sólo se puede activar mediante la función de inercia.

¿Activará siempre mi mano el freno de cadena en caso de reculada?

No. Hace falta una fuerza determinada para mover la protección contra reculada hacia adelante. Si su mano sólo roza la protección contra reculada o resbala sobre ella, puede ocurrir que la fuerza no sea suficiente para activar el

INSTRUCCIONES GENERALES DE SEGURIDAD

freno de cadena. También debe agarrar con firmeza la empuñadura de la motosierra cuando trabaja. Si lo hace y se produce una reculada, puede ocurrir que no suelte el agarre de la empuñadura delantera y que no active el freno de cadena, o que el freno de cadena no se active hasta que la sierra haya girado bastante. En casos así puede suceder que el freno de cadena no tenga tiempo de detener la cadena antes de que le toque a usted.

Ello ocurre también en determinadas posturas de trabajo que impiden que su mano llegue a la protección contra reculada para activar el freno de cadena; por ejemplo, cuando se sujeta la sierra en posición de tala.

¿Se activa siempre por inercia el freno de cadena cuando se produce una reculada?

No. En primer lugar, su freno debe funcionar. Es fácil probar el freno; vea las instrucciones del capítulo Control, mantenimiento y servicio del equipo de seguridad de la motosierra. Recomendamos que haga esta prueba antes de empezar cada turno de trabajo. En segundo lugar, la reculada debe tener la fuerza suficiente para activar el freno de cadena. Si el freno de cadena fuera demasiado sensible, se activaría constantemente, lo que sería molesto.

¿Me protegerá siempre el freno de cadena contra daños si se produce una reculada?

No. En primer lugar, su freno debe funcionar para proporcionar la protección prevista. En segundo lugar, el freno se debe activar tal como se describe arriba para detener la cadena de sierra en una reculada. En tercer lugar, el freno de cadena se puede activar, pero si la espada está demasiado cerca de usted puede ocurrir que el freno no tenga tiempo de reducir la velocidad y parar la cadena antes de que la motosierra le toque.

Solamente usted y empleando una técnica de trabajo correcta puede eliminar el efecto de reculada y los riesgos que comporta.

Fiador del acelerador

El bloqueador del acelerador está diseñado para impedir la activación involuntaria del acelerador. El acelerador (B) se libera cuando se presiona el bloqueador (A) en la empuñadura (= cuando se agarra la empuñadura). Cuando se suelta la empuñadura, el acelerador y el bloqueador del acelerador vuelven a sus posiciones iniciales respectivas. En esta posición el acelerador es bloqueado automáticamente en ralenti. (5)

Captor de cadena

El captor de cadena está diseñado para captar las cadenas que se sueltan o se rompen. Normalmente esto se evita con el tensado correcto de la cadena (vea las instrucciones bajo el título Montaje) y con un mantenimiento adecuado de la espada y la cadena (vea las instrucciones bajo el título Instrucciones generales de trabajo).

Protección de la mano derecha

La protección de la mano derecha, además de proteger la mano cuando una cadena se suelta o se rompe, impide que las ramas perjudiquen el agarre del mango posterior.

Sistema amortiguador de vibraciones

Su máquina incorpora un sistema amortiguador diseñado para reducir al máximo posible las vibraciones y optimizar la comodidad de uso.

El sistema amortiguador de vibraciones de la máquina reduce la transmisión de vibraciones entre la parte del motor/equipo de corte y la parte de los mangos de la máquina. El cuerpo de la motosierra, incluyendo el equipo de corte, va suspendido de la parte de los mangos con un elemento antivibratorio.

El corte de maderas duras (la mayoría de los árboles caducifolios) produce más vibraciones que el de maderas blandas (la mayoría de las coníferas). El corte con un equipo de corte desafilado o incorrecto (modelo incorrecto o mal afilado) incrementa el nivel de vibraciones.



¡ATENCIÓN! La sobreexposición a las vibraciones puede provocar problemas circulatorios y dolencias de carácter nervioso, especialmente en personas con patologías circulatorias. Acuda a un médico si nota síntomas corporales que puedan relacionarse con la sobreexposición a las vibraciones. Son ejemplos de tales síntomas la pérdida de sensibilidad, el 'cosquilleo', las 'punzadas', el dolor, la pérdida o reducción de la fuerza normal o los cambios en el color y la superficie de la piel. Estos síntomas se presentan normalmente en dedos, manos y muñecas. Los síntomas pueden aumentar en temperaturas frías.

Botón de parada

El botón de parada se utiliza para parar el motor.

Silenciador

El silenciador está diseñado para reducir el nivel sonoro y para apartar los gases de escape del usuario.



¡ATENCIÓN! Los gases de escape del motor están calientes y pueden contener chispas que pueden provocar incendio. Por esa razón, ¡nunca arranque la máquina en interiores o cerca de material inflamable!

En regiones de clima cálido y seco puede haber un riesgo de incendio considerable. En países de estas regiones hay normativas y requisitos legales de, por ejemplo, equipar el silenciador con una red apagachispas homologada (A). (6)

¡NOTA! El silenciador está muy caliente durante el funcionamiento y después de parar. Esto también es aplicable al funcionamiento en ralenti. Preste atención al riesgo de incendio, especialmente al emplear la máquina cerca de sustancias y/o gases inflamables.

INSTRUCCIONES GENERALES DE SEGURIDAD



¡ATENCIÓN! No utilice nunca una motosierra sin silenciador o con el silenciador defectuoso. Un silenciador defectuoso puede incrementar considerablemente el nivel de ruido y el riesgo de incendio. Tenga a mano herramientas para la extinción de incendios. No utilice nunca una motosierra sin red apagachispas o con red apagachispas defectuosa si la normativa del país exige este equipo.

Equipo de corte

Este capítulo describe cómo Ud., con un mantenimiento correcto y utilizando el equipo de corte adecuado, podrá:

- Reducir la propensión a las reculadas de la máquina.
- Reducir la ocurrencia de salidas y roturas de la cadena de sierra.
- Proporciona un resultado de corte óptimo.
- Aumentar la duración del equipo de corte.
- Evita el aumento de los niveles de vibraciones.

Reglas básicas

- **¡Utilice solamente el equipo de corte recomendado por nosotros!** Vea las instrucciones bajo el titular Datos técnicos.
- **¡Mantenga los dientes cortantes de la cadena bien y correctamente afilados! Siga nuestras instrucciones y utilice el calibrador de limado recomendado.** Una cadena mal afilada o defectuosa aumenta el riesgo de accidentes.
- **¡Mantenga la profundidad de corte correcta! Siga nuestras instrucciones y utilice el calibrador de profundidad recomendado.** Una profundidad de corte demasiado grande aumenta el riesgo de reculada.
- **¡Mantenga la cadena correctamente tensada!** Con un tensado insuficiente se incrementa el riesgo de solturas de la cadena y se aumenta el desgaste de la espada, la cadena y el piñón de arrastre.
- **¡Mantenga el equipo de corte bien lubricado y efectúe el mantenimiento adecuado!** Con una lubricación insuficiente se incrementa el riesgo de roturas de cadena y se aumenta el desgaste de la espada, la cadena y el piñón de arrastre.

Equipo de corte reductor de reculadas



¡ATENCIÓN! Un equipo de corte defectuoso o una combinación errónea de espada/cadena de sierra aumentan el riesgo de reculadas. Utilice solamente las combinaciones de espada/cadena de sierra recomendadas y siga las instrucciones. Vea las instrucciones bajo el titular Datos técnicos.

Las reculadas sólo puede evitarlas Ud. el usuario, impidiendo que el sector de riesgo de reculada de la espada toque algún objeto.

El efecto de las reculadas puede reducirse utilizando un equipo de corte con reducción de reculada "incorporada", así como con un afilado y mantenimiento correctos de la cadena.

Espada

Cuanto más pequeño es el radio de punta, menor es la propensión a la reculada.

Cadena

Una cadena de sierra consta de distintos eslabones que se presentan en versión estándar y en versión reductora de reculada.

¡IMPORTANTE! Ninguna cadena de sierra elimina el riesgo de reculada.



¡ATENCIÓN! Cualquier contacto con una sierra de cadena en girando puede causar daños muy graves.

Expresiones características de la espada y cadena

Para conservar la eficacia de todos los componentes de seguridad del equipo de corte, debe sustituir las combinaciones de espada/cadena de sierra gastadas o dañadas por una espada y una cadena recomendadas por Jonsered. Vea las instrucciones del capítulo Datos técnicos para información sobre las combinaciones de espada/cadena de sierra que recomendamos.

Espada

- Longitud (pulgadas/cm)
- Número de dientes en el cabezal de rueda (T).
- Paso de cadena (=pitch) (pulgadas). El cabezal de rueda de la espada y el piñón de arrastre de la cadena de la motosierra deben adaptarse a la distancia entre los eslabones de arrastre.
- Número de eslabones de arrastre (unidades). A cada combinación de longitud de cadena, paso de cadena y número de dientes del cabezal de rueda, le corresponde un número determinado de eslabones de arrastre.
- Ancho de la guía de la espada (pulgadas/mm). El ancho de la guía de la espada debe estar adaptado al ancho del eslabón de arrastre de la cadena.
- Orificio para aceite de cadena y orificio para pasador tensor de cadena. La espada debe estar adaptada al diseño de la motosierra.

Cadena

- Paso de cadena (=pitch) (pulgadas)
- Ancho del eslabón de arrastre (mm/pulgadas)
- Número de eslabones de arrastre (unidades)

Afilado y ajuste del talón de profundidad de una cadena de sierra



¡ATENCIÓN! Para trabajar con la cadena, utilice siempre guantes para proteger las manos contra lesiones.

Generalidades sobre el afilado de los dientes cortantes

- No corte nunca con una sierra roma. Es señal de sierra roma cuando es necesario presionar el equipo de corte a través de la madera y el que las virutas son muy pequeñas. Una cadena de sierra muy roma no produce virutas. El único resultado es polvo de madera.
- Una sierra de cadena bien afilada atraviesa por sí sola la madera y produce virutas grandes y largas.

INSTRUCCIONES GENERALES DE SEGURIDAD

- La parte cortante de una cadena de sierra se denomina eslabón de corte, formado por un diente de corte (A) y un talón de profundidad (B). La distancia en altura entre ellos determina la profundidad de corte. (7)

Hay tres medidas a considerar para el afilado del diente de corte.

- 1 Ángulo de afilado
- 2 Ángulo de corte
- 3 Posición de la lima
- 4 Diámetro de la lima redonda

Es muy difícil afilar correctamente una cadena de sierra sin los accesorios adecuados. Por ello le recomendamos que utilice nuestro calibrador de afilado. La plantilla garantiza un afilado de la cadena de sierra para una reducción de la reculada y una capacidad de corte óptimas.

Vea las instrucciones del capítulo Datos técnicos en lo referente a los datos para el afilado de la cadena de su motosierra.



¡ATENCIÓN! La negligencia en seguir las instrucciones de afilado aumenta considerablemente la propensión a la reculada de la cadena de sierra.

Afilado de dientes cortantes

Para afilar dientes de corte se requiere una lima redonda y un calibrador de afilado. Vea las instrucciones del capítulo Datos técnicos en lo referente al diámetro de fila redonda y el calibrador de afilado recomendados para la cadena de su motosierra.

- Compruebe que la cadena esté bien tensada. Con un tensado insuficiente, la cadena tiene inestabilidad lateral, lo cual dificulta el afilado correcto.
- Afíle siempre desde el interior del diente hacia fuera. En el retorno, suavice la presión de la lima. Primero, afíle todos los dientes de un lado y, luego, vuelva la motosierra y afíle los dientes del otro lado.
- Afíle todos los dientes a la misma longitud. Cuando sólo queden 4 mm (0,16") de la longitud de diente, la cadena está desgastada y debe cambiarse. (8)

Generalidades sobre el ajuste de la profundidad de corte

- Al afilar el diente de corte se reduce la altura del talón de profundidad (= profundidad de corte). Para mantener una capacidad máxima de corte hay que bajar el talón de profundidad al nivel recomendado. En lo referente a la profundidad de corte de la cadena de su motosierra, vea el capítulo Datos técnicos.



¡ATENCIÓN! ¡Una profundidad de corte excesiva aumenta la propensión a las reculadas de la cadena!

Ajuste de la profundidad de corte

- El ajuste de la profundidad de corte debe hacerse con los dientes cortantes recién afilados. Recomendamos ajustar la profundidad de corte después de cada tercer afilado de la cadena de sierra. ¡ATENCIÓN! Esta recomendación presupone que la longitud de los dientes de corte no se ha reducido anormalmente.
- Para ajustar la profundidad de corte se necesita una lima plana y un calibrador de profundidad de corte. Recomendamos utilizar nuestro calibrador de afilado

de profundidad para obtener la medida de profundidad correcta y el ángulo correcto del talón de profundidad.

- Ponga el calibrador de afilado sobre la cadena de sierra. En el envase del calibrador hay instrucciones sobre su empleo. Utilice la lima plana para limar el sobrante de la parte sobresaliente del talón de profundidad. La profundidad de corte es correcta cuando no se nota resistencia alguna al pasar la lima sobre el calibrador.

Tensado de la cadena



¡ATENCIÓN! Una cadena insuficientemente tensada puede soltarse y ocasionar accidentes graves, incluso mortales.



¡ATENCIÓN! Utilice siempre guantes protectores homologados. Una cadena inmóvil también puede causar daños graves al usuario u otras personas que llegan a la cadena.

La cadena se alarga con la utilización. Por consiguiente, es importante ajustar el equipo de corte para compensar este cambio.

El tensado de la cadena debe controlarse cada vez que se reposte combustible. ¡NOTA! Las cadenas nuevas requieren un período de rodaje, durante el que debe controlarse el tensado con mayor frecuencia.

En general, la cadena debe tensarse tanto como sea posible, aunque debe ser posible girarla fácilmente con la mano. (9)

- Afloje las tuercas de la espada que fijan la cubierta del embrague/el freno de cadena. Utilice la llave combinada. Luego, apriete las tuercas a mano, lo más fuerte que pueda. (10)
- Con la punta de la espada hacia arriba, tense la cadena enroscando el tornillo tensor con la llave combinada. Tense la cadena hasta que deje de colgar en la parte inferior de la espada. (11)
- Con la llave combinada, apriete las tuercas de la espada sujetando al mismo tiempo la punta de la misma. Compruebe que la cadena pueda girarse a mano con facilidad y que no cuelgue en la parte inferior de la espada. (12)

Lubricación del equipo de corte



¡ATENCIÓN! La lubricación insuficiente del equipo de corte puede ocasionar roturas de cadena, con el riesgo consiguiente de accidentes graves e incluso mortales.

Aceite para cadena de motosierra

Un aceite para cadena de motosierra ha de tener buena adhesión a la cadena, así como buena fluidez tanto en climas cálidos como fríos.

Como fabricantes de motosierras hemos desarrollado un aceite para cadena óptimo que, gracias a su origen vegetal, es también biodegradable. Recomendamos el

INSTRUCCIONES GENERALES DE SEGURIDAD

uso de nuestro aceite para obtener la mayor conservación, tanto de la cadena de sierra como del medio ambiente. Si nuestro aceite para cadena de motosierra no es accesible, recomendamos usar aceite para cadena común.

¡No utilizar nunca aceite residual! Es nocivo para usted, la máquina y el medio ambiente.

¡IMPORTANTE! Si utiliza aceite vegetal para cadena de sierra, desmonte y limpie la ranura de la espada y la cadena de sierra antes del almacenamiento prolongado. De no hacerlo, hay riesgo de que se oxide el aceite de la cadena de sierra, con lo que la cadena se vuelve rígida y el cabezal de rueda se atasca.

Repostaje de aceite para cadena de motosierra

- Todos nuestros modelos de motosierra tienen lubricación automática de la cadena. Algunos modelos pueden obtenerse también con flujo de aceite regulable.
- El depósito de aceite de cadena y el depósito de combustible están dimensionados para que se termine el combustible antes de terminarse el aceite de cadena.

No obstante, para que esta función de seguridad sea efectiva debe utilizarse el aceite de cadena de sierra correcto (un aceite demasiado claro se termina antes de que se termine el combustible), debe seguirse nuestra recomendación de reglaje del carburador (una mezcla demasiado pobre hace que el combustible dure más que el aceite de cadena), y deben seguirse nuestras recomendaciones de equipo de corte (una espada demasiado larga requiere más aceite lubricante).

Control de la lubricación de la cadena

- Controle la lubricación de la cadena cada vez que reposte. Vea las instrucciones del capítulo Lubricación del cabezal de rueda de la espada. Apunte la punta de la espada a unos 20 cm (8 pulgadas) de un objeto fijo y claro. Después de 1 minuto de funcionamiento a 3/4 de aceleración debe verse una línea de aceite clara en el objeto.

Si no funciona la lubricación de la cadena:

- Compruebe que el canal de aceite de cadena en la espada esté abierto. Límpielo si es necesario.
- Compruebe que la guía de la espada esté limpia. Límpiela si es necesario.
- Compruebe que el cabezal de rueda de la espada gire con facilidad y que su orificio de lubricación esté abierto. Limpie y lubrique si es necesario.

Si la lubricación de la cadena no funciona después de efectuar los controles y medidas anteriores, contacte a su taller de servicio.

Piñón de arrastre de la cadena

El tambor del embrague lleva uno Piñón Spur (piñón soldado en el tambor).

Compruebe regularmente el nivel de desgaste del piñón de arrastre de la cadena y cámbielo si presenta un desgaste anormal. El piñón de arrastre de la cadena debe cambiarse cada vez que se cambie la cadena.

Control del desgaste del equipo de corte

Controle diariamente la cadena para comprobar si:

- Hay grietas visibles en los remaches y eslabones.
- La cadena está rígida.
- Los remaches y eslabones presentan un desgaste anormal.

Desheche la cadena de sierra si concuerda con alguno o varios de los puntos anteriores.

Para comprobar el desgaste de la cadena que utiliza, le recomendamos que la compare con una cadena nueva.

Cuando sólo queden 4 mm de longitud de diente cortante, la cadena está gastada y debe cambiarse.

Espada

Controle a intervalos regulares:

- Si se han formado rebabas en los lados de la espada. Lime si es necesario. **(13A)**
- Si la guía de la espada presenta un desgaste anormal. Cambie la espada si es necesario. **(13B)**
- Si la punta de la espada presenta un desgaste anormal o irregular. Si se ha formado una "cavidad" al final del radio de la punta, en la parte inferior de la espada, es señal de que Ud. ha utilizado la máquina con un tensado de cadena insuficiente.
- Para obtener una duración óptima, la espada debe girarse cada día.



¡ATENCIÓN! La mayoría de los accidentes con la motosierra se producen cuando la cadena toca al usuario.

Utilice el equipo de protección personal. Vea las instrucciones bajo el título Equipo de protección personal.

Evite los trabajos para los que no se sienta suficientemente capacitado. Vea las instrucciones bajo los títulos Equipo de protección personal, Medidas preventivas de reculadas, Equipo de corte e Instrucciones generales de trabajo.

Evite situaciones con riesgo de reculada. Vea las instrucciones bajo el título Equipo de seguridad de la máquina.

Utilice el equipo de corte recomendado y controle su estado. Vea las instrucciones bajo el título Instrucciones generales de trabajo.

Compruebe el funcionamiento de las piezas de seguridad de la motosierra. Vea las instrucciones bajo los títulos Instrucciones generales de trabajo e Instrucciones generales de seguridad.

Montaje de la espada y la cadena



¡ATENCIÓN! Los trabajos de control y/o mantenimiento deben efectuarse con el motor desconectado. El contacto de parada retorna automáticamente a la posición de arranque. Por consiguiente, antes de realizar trabajos de montaje, control y/o mantenimiento se debe quitar el capuchón de encendido de la bujía para evitar el arranque imprevisto.

Para trabajar con la cadena, utilice siempre guantes para proteger las manos contra lesiones.

Compruebe que no esté activado el freno de cadena empujando la protección contra reculadas del freno de cadena hacia el mango delantero.

Desenrosque las tuercas de la espada y saque la cubierta del embrague (el freno de cadena). Saque la protección de transporte.(A) (14)

Monte la espada en los pernos. Sitúela en la posición posterior extrema. Monte la cadena en el piñón de arrastre y la guía de la espada. Empiece con la parte superior de la cadena. (15)

Compruebe que los filos de los eslabones de corte estén orientados hacia delante en la parte superior de la espada.

Monte la cubierta del embrague (el freno de cadena) y ponga el vástago de tensado de cadena en el orificio de la espada. Compruebe que los eslabones de arrastre de la cadena encajen en el piñón de arrastre y que la cadena esté bien colocada en la guía de la espada. Apriete a mano las tuercas de la espada.(16)

Tense la cadena enroscando en el sentido de las agujas del reloj el tornillo de tensado con la llave combinada. La cadena debe tensarse hasta que deje de colgar en la parte inferior de la espada. Vea las instrucciones del capítulo Tensado de la cadena de sierra. (17)

La cadena está correctamente tensada cuando no cuelga en la parte inferior de la espada y puede girarse fácilmente con la mano. Apriete las tuercas de la espada con la llave combinada, sujetando al mismo tiempo la punta de la espada. (18)

El tensado de una cadena nueva debe controlarse con frecuencia, hasta que se haya hecho el rodaje. Controle el tensado regularmente. Una cadena correcta significa buena capacidad de corte y larga duración. (19)

Montaje del apoyo de corteza

Para montar el apoyo de corteza, consulte a su taller de servicio local.

Carburante

Aclaración! La máquina tiene motor de dos tiempos, por lo que debe utilizarse siempre una mezcla de gasolina con aceite para motores de 2 tiempos. Es importante medir con precisión la cantidad de aceite que se mezcla para conseguir la proporción de mezcla adecuada. Al mezclar pequeñas cantidades de combustible, incluso los pequeños errores en la cantidad de aceite tienen una gran incidencia en la proporción de mezcla.



¡ATENCIÓN! Para hacer la mezcla, compruebe que haya buena ventilación.

Gasolina

- Utilice gasolina sin plomo o gasolina con plomo de alta calidad.
- El octanaje mínimo recomendado es 90 (RON). Si se utiliza gasolina de octanaje inferior a 90, se puede producir el efecto "clavazón". Esto produce un aumento de la temperatura del motor y de la carga sobre los cojinetes, fenómenos que pueden causar averías graves del motor.
- Para trabajos con régimen alto continuado (por ejemplo, para desramar), se recomienda un octanaje más alto.

Rodaje

No manejar la máquina a revoluciones demasiado altas por periodos prolongados durante las primeras diez horas.

Aceite para motores de dos tiempos

- Para un resultado y prestaciones óptimos, utilice aceite para motores de dos tiempos JONSERED, especialmente fabricado para motores de dos tiempos refrigerados por aire.
- No utilice nunca aceite para motores de dos tiempos fuera borda refrigerados por agua (llamado outboard oil), con designación TCW.
- No utilice nunca aceite para motores de cuatro tiempos.
- Un aceite de calidad deficiente o una mezcla de aceite/combustible demasiado rica puede perjudicar el funcionamiento del catalizador y reducir su vida útil.

Mezcla

1:50 (2%) con aceite para motores de dos tiempos JONSERED.

1:33 (3 %) con otros aceites para motores de dos tiempos refrigerados por aire y clasificados para JASO FB/ISO EGB.

Gasolina, litros	Aceite para motores de dos tiempos, litros	
	2% (1:50)	3% (1:33)
5	0,10	0,15
10	0,20	0,30
15	0,30	0,45
20	0,40	0,60

Mezcla

- Siempre haga la mezcla de gasolina y aceite en un recipiente limpio, homologado para gasolina.
- Primero, ponga la mitad de la gasolina que se va a mezclar. Luego, añada todo el aceite y agite la mezcla. A continuación, añada el resto de la gasolina.
- Agite bien la mezcla de combustible antes de ponerla en el depósito de combustible de la máquina.
- No mezcle más combustible que el necesario para utilizar un mes como máximo.
- Si no se ha utilizado la máquina por un tiempo prolongado, vacíe el depósito de combustible y límpielo.

Aceite para cadena

- Para lubricar se recomienda un aceite especial (aceite para lubricar cadenas) con buena aptitud adherente.
- No utilice nunca aceite residual. Puede ocasionar averías en la bomba de aceite, la espada y la cadena.
- Es importante utilizar un aceite adecuado para la temperatura ambiente (con la viscosidad correcta).
- Con temperaturas bajo cero, algunos aceites se espesan. Ello puede causar sobrecargas en la bomba de aceite, con averías subsiguientes de las piezas de la bomba.
- Para la selección de aceite lubricante de cadena, consulte con su taller de servicio.

Repostaje



¡ATENCIÓN! Las siguientes medidas preventivas reducen el riesgo de incendio:

No fume ni ponga objetos calientes cerca del combustible.

Apague el motor y deje que se enfríe unos minutos antes de repostar.

Para repostar, abra despacio la tapa del depósito de combustible para evacuar lentamente la eventual sobrepresión.

Después de repostar, apriete bien la tapa del depósito de combustible.

Antes de arrancar, aparte siempre la máquina del lugar de repostaje.

Seque minuciosamente alrededor de las tapas de los depósitos. Limpie regularmente los depósitos de combustible y de aceite para cadena. Cambie el filtro de combustible una vez al año como mínimo. La suciedad en los depósitos produce perturbaciones del funcionamiento. Asegúrese de que el combustible esté bien mezclado, agitando el recipiente antes de repostar. Las capacidades de los depósitos de combustible y aceite para cadena están adaptadas entre sí. Por consiguiente, haga el repostaje de ambos al mismo tiempo.



¡ATENCIÓN! El combustible y los vapores de combustible son muy inflamables. Proceda con cuidado en la manipulación del combustible y el aceite de cadena. Tenga en cuenta el riesgo de incendio, explosión e inhalación.

Seguridad en el uso del combustible

- No reposte nunca la máquina con el motor en marcha.
- Procure que haya buena ventilación durante el repostaje y la mezcla de combustible (gasolina y aceite para motores de 2 tiempos).
- Antes de arrancar, aparte la máquina a 3 m como mínimo del lugar de repostaje.
- Nunca arranque la máquina:
 - 1 Si ha derramado sobre la máquina combustible o aceite para cadena. Seque cualquier residuo y espere a que se evaporen los restos de combustible.
 - 2 Si se salpicó el cuerpo o las ropas, cambie de ropas. Lave las partes del cuerpo que han entrado en contacto con el combustible. Use agua y jabón.
 - 3 Si hay fugas de combustible en la máquina. Compruebe regularmente si hay fugas en la tapa del depósito o en los conductos de combustible.



¡ATENCIÓN! No utilice nunca una máquina con daños visibles en la protección de bujía y el cable de encendido. Hay riesgo de generación de chispas, que pueden causar incendios.

Transporte y almacenamiento

- Almacene la motosierra y el combustible de forma que no haya riesgo de que los eventuales vapores y fugas entren en contacto con chispas o llamas. Por ejemplo, cerca de máquinas eléctricas, motores eléctricos, contactos/interruptores eléctricos, calderas de calefacción o similares.
- Para el almacenamiento del combustible deben utilizarse recipientes especiales homologados.
- En caso de almacenamiento o transporte de la motosierra por tiempo prolongado, deberán vaciarse los depósitos de combustible y aceite para cadena. Consulte con la gasolinera más cercana sobre qué hacer con el combustible y aceite de cadena sobrantes.
- Antes del almacenaje prolongado, limpie bien la máquina y haga el servicio completo.
- La protección de transporte del equipo de corte debe estar siempre montada para el transporte y almacenamiento de la máquina, a fin de evitar el contacto fortuito con la cadena aguda. Una cadena inmóvil también puede causar daños graves al usuario u otras personas que llegan a la cadena.
- Asegure la máquina durante el transporte.

Almacenamiento prolongado

Vacíe los depósitos de combustible y aceite en un lugar bien ventilado. Guarde el combustible en bidones homologados y en un lugar seguro. Monte la protección de la espada. Limpie la máquina. Vea las instrucciones del capítulo Esquema de mantenimiento.

Arranque y parada



¡ATENCIÓN! Antes de arrancar, observe lo siguiente:

El freno de cadena debe estar aplicado cuando se arranca la motosierra, para reducir el riesgo de contacto con la cadena en movimiento al ponerse en marcha.

No ponga en marcha la motosierra sin haber montado antes la espada, la cadena y todas las cubiertas. De otro modo, el embrague puede zafar y ocasionar daños personales.

Ponga la máquina sobre una superficie estable. Asegúrese de tener buena estabilidad y de que la cadena no pueda tocar ningún objeto.

Asegúrese de que no haya terceros desautorizados en la zona de trabajo.

Motor frío

Arranque: El freno de cadena debe estar activado al poner en marcha la motosierra. Active el freno moviendo la protección contra reculadas hacia delante. (20)

1. Bomba de combustible: Presione varias veces la burbuja de goma de la bomba de combustible hasta que comience a llenarse de combustible. No es necesario llenarla totalmente. (23)

2. Estrangulador: Extraiga completamente el estrangulador azul hasta que alcance la posición **ESTRANGULAMIENTO TOTAL**. Cuando el mando de estrangulador está totalmente extraído, se ajusta automáticamente una posición de aceleración de arranque correcta. (21)

Aceleración de arranque: Para la función combinada de estrangulamiento/aceleración de arranque ponga el estrangulador en la posición de estrangulamiento. (22)

Arranque

Agarre el mango delantero con la mano izquierda. Pise la parte inferior del mango trasero con el pie derecho y presione la motosierra contra el suelo.

3. Agarre la empuñadura de arranque con la mano derecha y tire lentamente del cordón hasta que advierta una resistencia (agarran los ganchos de arranque). Luego, dé tirones rápidos y fuertes. **Nunca enrosque el cordón de arranque alrededor de la mano.** (25)

¡NOTA! No extraiga el cordón de arranque al máximo, y no suelte la empuñadura de arranque si ha extraído todo el cordón. Ello puede ocasionar averías en la máquina.

4. Introduzca el estrangulador en el ajuste "1/2 estrangulador" en cuanto el motor arranque; oír una especie de soplido. (21)

5. Reponga con firmeza el estrangulador a su posición inicial y repita el intento hasta que el motor arranque. (26) Deje que el motor se caliente durante 30 segundos, a continuación apriete el acelerador para ponerlo al ralentí en condiciones normales.

Dado que el freno de cadena todavía está activado, se deben bajar las revoluciones del motor lo antes posible a ralentí, y esto se logra pulsando rápidamente una vez el accionador del estrangulador. De ese modo, se evita un desgaste innecesario del embrague, del tambor del embrague y de la cinta de freno.

Aclaración! Para poner el freno de cadena en su posición inicial, mueva la protección contra reculadas (marcada "PULL BACK TO RESET") hacia la empuñadura del mango. (27) Ahora, la motosierra está lista para funcionar.

Motor caliente

Utilice el mismo procedimiento de arranque que para el motor frío, pero no coloque el estrangulador en la posición de estrangulamiento. Para iniciar el estrangulamiento, sitúe el estrangulador azul en la posición de estrangulamiento y, a continuación, vuelva a empujarlo hacia dentro. (24)



¡ATENCIÓN! La inhalación prolongada de los gases de escape del motor, la neblina de aceite de cadena y el polvo de serrín puede poner en riesgo la salud.

- Nunca ponga en marcha la motosierra sin haber montado antes correctamente la espada, la cadena y todas las cubiertas. Vea las instrucciones bajo el título Montaje. Sin la espada y la cadena montadas en la motosierra, el embrague se puede soltar y causar daños graves. (28)
- El freno de cadena debe estar aplicado cuando se arranca la motosierra. Vea las instrucciones del capítulo Arranque y parada. No arranque nunca la motosierra agarrando el cordón de arranque y soltando la máquina. Este método es muy peligroso porque se pierde fácilmente el control de la motosierra. (29)
- No ponga nunca en marcha la máquina en interiores. Tenga en cuenta el riesgo de inhalación de los gases de escape del motor.
- Observe el entorno y asegúrese de que no haya riesgo de tocar a personas o animales con el equipo de corte.
- Sujete siempre la motosierra con ambas manos. Agarre la empuñadura trasera con la mano derecha y la empuñadura delantera con la mano izquierda. **Todos los usuarios, diestros o zurdos, deben usar este agarre.** Agarre con firmeza, con todos los dedos alrededor de las empuñaduras de la motosierra. (30)

Parada

Para parar el motor, pulse el botón de parada. (31)

Antes de utilizar la máquina: (32)

- 1 Compruebe que el freno de cadena funcione correctamente y no esté dañado.
- 2 Compruebe que la protección trasera de la mano derecha no esté dañada.
- 3 Compruebe que el fiador contra aceleraciones involuntarias funcione correctamente y no esté dañado.
- 4 Compruebe que el botón de parada funciona bien y está en buen estado.
- 5 Compruebe que todos los mangos estén libres de aceite.
- 6 Compruebe que el sistema de amortiguación de vibraciones funcione y no esté dañado.
- 7 Compruebe que el silenciador esté firmemente montado y en buenas condiciones.
- 8 Compruebe que todas las piezas de la motosierra estén bien apretadas, no presenten daños y estén presentes.
- 9 Compruebe que el retén de cadena esté montado y en buenas condiciones.
- 10 Controle el tensado de la cadena.

Instrucciones generales de trabajo

¡IMPORTANTE!

Este capítulo se refiere a las reglas de seguridad básicas para el trabajo con una motosierra. En ningún caso, su contenido podrá sustituir a los conocimientos, formación y experiencia práctica de un profesional. Por consiguiente, cuando no esté seguro de cómo utilizar la máquina, consulte a un experto. Diríjase a la tienda donde compró la motosierra, al taller de servicio o a un usuario de motosierras experto. ¡Evite los trabajos para los que no se sienta suficientemente cualificado!

No utilice la motosierra hasta que haya comprendido el significado de las reculadas y la forma de evitarlas. Vea las instrucciones bajo el título Medidas preventivas de las reculadas.

No utilice la motosierra hasta que haya comprendido la diferencia entre las técnicas de corte con la parte superior y la parte inferior de la espada. Vea las instrucciones de los capítulos Medidas preventivas de las reculadas y Equipo de seguridad de la máquina.

Utilice el equipo de protección personal. Vea las instrucciones bajo el título Equipo de protección personal.

Reglas básicas de seguridad

- 1 Observe el entorno para:
 - Comprobar que no hayan personas, animales, etc., que puedan influir en su control de la máquina.
 - Impedir que eventuales personas o animales puedan entrar en contacto con la cadena o sean alcanzadas o lesionadas por un árbol derribado.

¡NOTA! Siga las instrucciones mencionadas arriba y no utilice la motosierra sin que haya alguien a quien recurrir en caso de accidente.

- 2 No trabaje en condiciones atmosféricas desfavorables como niebla, lluvia intensa, tempestad,

frío intenso, etc. El trabajo con mal tiempo es fatigoso y puede crear circunstancias peligrosas, como terreno resbaladizo, cambio imprevisto de la dirección de derribo de los árboles, etc.

- 3 Proceda con sumo cuidado en el corte de ramas pequeñas y evite cortar arbustos (= varias ramas al mismo tiempo). Después del corte, las ramas pequeñas pueden atascarse en la cadena, ser lanzadas hacia Ud. y herirle de gravedad.
- 4 Compruebe que pueda caminar y mantenerse de pie con seguridad. Vea si hay eventuales impedimentos para desplazamientos imprevistos (raíces, piedras, ramas, fosos, zanjas, etc.). Proceda con sumo cuidado al trabajar en terreno inclinado.
- 5 Sea sumamente cuidadoso al cortar en árboles en tensión. Un árbol en tensión puede, tanto antes como después de terminar de cortar, volver a su posición normal. Si Ud. o el corte están mal ubicados, el árbol puede golpearlo a Ud. o a la máquina y hacerle perder el control. Las dos situaciones pueden ocasionar daños personales graves.
- 6 Para los desplazamientos, bloquee la cadena con el freno de cadena y pare el motor. Lleve la motosierra con la espada y cadena orientadas hacia atrás. Para los desplazamientos largos y los transportes utilice siempre la protección de la espada.
- 7 Cuando ponga la motosierra en el suelo, bloquee la cadena de sierra con el freno de cadena y no pierda de vista la motosierra. Para el 'estacionamiento prolongado', se debe parar el motor.



¡ATENCIÓN! A veces las astillas quedan atrapadas en la cubierta del embrague, lo que hace que la cadena se atasque. Pare siempre el motor antes de limpiar la máquina.

Reglas básicas

- 1 Entendiendo las implicaciones y causas de la reculada, Ud. puede reducir o eliminar sorpresas que incrementen el riesgo de accidente. La mayoría de reculadas son pequeñas, aunque algunas son rapidísimas y muy violentas.
- 2 Sujete siempre la motosierra con firmeza, con la mano derecha en el mango trasero y la mano izquierda en el mango delantero, agarrando los mangos con todos los dedos. Este agarre deben utilizarlo todos los usuarios, incluso los zurdos. Este agarre es la mejor forma de reducir el efecto de una reculada y, al mismo tiempo, mantener el control de la motosierra. **¡No suelte los mangos!**
- 3 La mayoría de los accidentes por reculada se producen al desramar. Procure trabajar con una postura estable y que en el suelo no hayan objetos que puedan hacerle tropezar y perder el equilibrio.

Si se trabaja con negligencia, el sector de riesgo de reculada de la espada puede tocar involuntariamente una rama, un árbol u otro objeto y producir una reculada.

Controle la pieza de trabajo. Si las piezas de trabajo que sierra son pequeñas y ligeras, pueden atascarse en la cadena de sierra y ser lanzadas contra usted.

Esto, aunque no es necesariamente peligroso, puede sorprenderle y hacerle perder el control de la motosierra. No sierra nunca troncos apilados ni ramas sin separarlos antes. Sierra solamente los troncos de trozo en trozo. Aparte los trozos aserrados para mantener segura su zona de trabajo.

- 4 **No utilice nunca la motosierra por encima de los hombros y evite cortar con la punta de la motosierra. ¡No utilice nunca la motosierra con una sola mano! (33)**
- 5 Para obtener máximo control de la motosierra, es necesario adoptar una posición estable. No trabaje nunca subido a una escalera, trepado a un árbol o en una posición que carezca de una base firme. (34)
- 6 Corte con velocidad de cadena alta, acelerando al máximo.
- 7 Para cortar con la parte superior de la espada, en sentido ascendente desde la parte inferior del objeto a cortar, proceda con muchísimo cuidado. Al trabajar con esta técnica, llamada de cadena impelente, la cadena empuja la motosierra hacia atrás, hacia el usuario. Si la cadena de sierra se atasca, la motosierra puede ser lanzada hacia atrás contra usted.
- 8 Si el usuario no resiste la fuerza de la motosierra, puede ocurrir que ésta retroceda tanto que el sector de riesgo de reculada de la espada toque el árbol y se produzca una reculada. (35)

El corte con la parte inferior de la espada, en sentido descendente desde la parte superior del objeto a cortar, se denomina de corte con cadena tirante. La motosierra es tirada hacia el árbol y el canto delantero del cuerpo se apoya contra el tronco. Con esta técnica de cadena tirante, el usuario controla mejor la motosierra y la situación del sector de riesgo de reculada de la espada.

- 9 Siga las instrucciones de afilado y mantenimiento de la espada y la cadena. Al cambiar la espada y la cadena sólo deben utilizarse las combinaciones recomendadas por nosotros. Vea las instrucciones bajo los títulos Equipo de corte y Datos técnicos.

Técnica básica de corte



¡ATENCIÓN! No utilice nunca una motosierra agarrándola solamente con una mano. Una motosierra no se controla con seguridad con una mano. Agarre con fuerza y firmeza las empuñaduras con ambas manos.

Generalidades

- ¡Para cortar, utilice siempre la aceleración máxima!
- Después de cada corte de sierra, suelte el acelerador y deje el motor en vacío (la aceleración máxima prolongada sin carga, es decir sin que el motor tenga la resistencia de la cadena en el aserrado, produce avería grave del motor).
- Corte descendente = con cadena "tirante".
- Corte ascendente = con cadena "impelente".

La técnica con cadena "impelente" supone un mayor riesgo de reculada. Vea las instrucciones bajo el título Medidas preventivas de las reculadas.

Designaciones

Tronzado = denominación genérica del corte transversal de la madera.

Desramado = corte de las ramas de un árbol talado.

Partición = rotura del objeto que se corta antes de concluir el corte.

Para los trabajos de tronzado deben tenerse en cuenta cinco factores muy importantes:

- 1 El equipo de corte no debe quedar apretado en el surco.
- 2 El objeto que se corta no debe partirse.
- 3 Durante el tronzado y después del mismo, la cadena de la sierra no debe tocar el suelo ni objeto alguno.
- 4 ¿Hay riesgo de reculada?
- 5 ¿Puede la configuración del terreno y el entorno influir en su estabilidad y seguridad para caminar y mantenerse de pie?

El atasco de la cadena y la partición del objeto de corte pueden deberse a dos factores: el apoyo del objeto antes y después del tronzado, y si el objeto a cortar está tenso.

En la mayoría de casos, estos factores pueden evitarse efectuando el tronzado en dos etapas: por arriba y por abajo. Así se neutraliza la propensión del objeto a cortar a apretar la cadena o a partirse.

¡IMPORTANTE! Si la cadena se atasca en el surco: ¡Pare el motor! No intente sacar la motosierra por la fuerza. Si lo hace, puede accidentarse con la cadena cuando se suelta repentinamente la motosierra. Para soltar la motosierra, utilice una palanca.

A continuación, se indica un listado teórico de la forma de tratar las situaciones más comunes con que puede enfrentarse un usuario de motosierra.

Desramado

Para cortar ramas gruesas deben aplicarse los mismos principios que para el tronzado.

Corte las ramas difíciles por partes.

Tronzado



¡ATENCIÓN! No intente nunca serrar troncos apilados ni dos troncos que están muy juntos. Estos métodos incrementan drásticamente el riesgo de reculada, que comportan riesgo de daños personales graves y peligro de muerte.

Si hay una pila de troncos, se debe separar de ella cada tronco que se va a cortar, colocarlo en un soporte para serrar guiadera y cortarlo por separado.

Aparte los trozos cortados de la zona de trabajo. Si los deja en la zona de trabajo, aumenta el riesgo de reculada por equivocación y el riesgo de perder el equilibrio cuando trabaja.

El tronco en el suelo. No hay riesgo de atasco de la cadena o de partición del objeto de corte. Sin embargo, hay un riesgo considerable de que la cadena toque el suelo después del corte.

Corte desde arriba todo el tronco. Al final del corte, proceda con cuidado para evitar que la cadena toque el suelo. Mantenga la aceleración máxima y esté alerta a lo que va a pasar. **(36)**

Si es posible (¿puede girarse el tronco?), termine el corte a 2/3 del diámetro del tronco.

Gire el tronco para cortar el tercio restante desde arriba.

El tronco está apoyado en un extremo. Gran riesgo de partición.

Empiece cortando desde abajo (aproximadamente 1/3 del diámetro del tronco).

Termine el corte desde arriba, hasta que se encuentren los dos surcos.

El tronco está apoyado en ambos extremos. Gran riesgo de atasco de la cadena.

Empiece cortando desde arriba (aproximadamente 1/3 del diámetro del tronco).

Termine el corte desde abajo, hasta que se encuentren los dos surcos.

Técnica de tala

¡IMPORTANTE! La tala de árboles requiere mucha experiencia. Un usuario de motosierra inexperto no debe talar árboles. ¡Evite los trabajos para los que no se considere suficientemente capacitado!

Distancia de seguridad

La distancia de seguridad entre el árbol a talar y el lugar de trabajo más cercano debe ser de 2,5 longitudes de árbol. Asegúrese de que no haya nadie en esta "zona de riesgo" antes de la tala y durante la misma. **(37)**

Dirección de derribo

El derribo tiene por objeto la colocación del árbol de forma que el desramado y tronzado subsiguientes puedan efectuarse en un terreno lo más "fácil" posible. El talador debe poder caminar y mantenerse de pie con seguridad.

Cuando haya decidido en qué dirección quiere derribar el árbol, debe considerar la dirección natural de caída del mismo.

Ésta depende de varios factores:

- Inclinación
- Torcimiento
- Dirección del viento
- Concentración de las ramas
- Peso de la nieve, si la hay
- Obstáculos dentro del alcance del árbol: como otros árboles, cables eléctricos, paredes y edificios.
- Compruebe si el tronco tiene daños o podredumbre, que aumentan la probabilidad de que el árbol se rompa y empiece a caer antes de lo previsto.

Una vez considerados estos factores, puede verse obligado a dejar que el árbol caiga en su dirección natural, ya que es imposible, o demasiado arriesgado, intentar colocarlo en la dirección decidida en un principio.

Otro factor muy importante, que no afecta a la dirección de derribo pero sí a su seguridad personal, es el control de que el árbol no tenga ramas dañadas o "muertas" que puedan romperse por sí solas y dañarle a Ud. durante la tala.

Ante todo, debe evitarse que el árbol derribado se atasque en otro árbol. Es muy peligroso retirar un árbol atascado y hay un elevado riesgo de accidente. Vea las instrucciones bajo el título Tratamiento de una tala fallida.

¡IMPORTANTE! En momentos críticos de la tala deberán levantarse los protectores auriculares apenas termine el aserrado, a fin de poder advertir ruidos y señales de advertencia.

Corte de ramas bajas y camino de retirada

Desrame el ronco hasta la altura del hombro. Es más seguro trabajar de arriba a abajo y tener el tronco entre usted y la motosierra.

Limpie la vegetación que hay alrededor del árbol y elimine los eventuales obstáculos (piedras, ramas, huecos, etc.) para tener preparado un camino de retirada cuando empiece a caer el árbol. El camino de retirada debe estar a unos 135°, oblicuamente hacia atrás, de la dirección de derribo prevista. **(38)**

- 1 Zona de riesgo
- 2 Vía de retirada
- 3 Dirección de derribo

Tala



¡ATENCIÓN! ¡Desaconsejamos a los usuarios insuficientemente cualificados que talen árboles con espada de longitud más pequeña que el diámetro del tronco a cortar!

La tala se hace con tres cortes. Se empieza con el corte de indicación, compuesto por un corte superior y un corte inferior; y se termina con el corte de derribo. Con la ubicación correcta de estos cortes puede controlarse con gran exactitud la dirección de derribo.

Corte de indicación

El corte de indicación se inicia con el corte superior. Sitúese a la derecha del árbol y corte con cadena tirante.

Luego, efectúe el corte inferior, que debe terminar exactamente donde terminó el corte superior. **(39)**

La profundidad del corte de indicación debe ser igual a 1/4 del diámetro del tronco, y el ángulo entre los cortes superior e inferior debe ser de 45° como mínimo.

La convergencia de ambos cortes se denomina línea de corte de indicación. La línea de corte de indicación debe ser perfectamente horizontal y formar un ángulo recto (90°) con la dirección de derribo elegida. **(40)**

Corte de derribo

El corte de derribo se hace en el lado opuesto del árbol y debe ser perfectamente horizontal. Sitúese a la izquierda del árbol y corte con cadena tirante.

Sitúe el corte de derribo a unos 3-5 cm (1,5-2 pulgadas) por encima del plano horizontal del corte de indicación.

Coloque el apoyo de corteza (si ha sido montado) detrás de la faja de desgaje. Corte con aceleración máxima introduciendo lentamente la cadena/espada en el tronco. Preste atención a si el árbol se mueve en dirección opuesta a la elegida para el derribo. Tan pronto lo permita la profundidad de corte, ponga una cuña de

derribo o una barra desgajadora en el corte de derribo. **(41)**

El corte de derribo debe quedar paralelo con la línea de corte de indicación, con una distancia mínima entre ambos de 1/10 del diámetro del tronco. La parte del tronco sin cortar se denomina faja de desgaje.

La faja de desgaje funciona como una bisagra que dirige la dirección de derribo del árbol. **(42)**

Se pierde completamente el control de la dirección de derribo del árbol si la faja de desgaje es demasiado pequeña o se atraviesa al cortar, o si los cortes de indicación y derribo están mal situados.

Cuando están terminados los cortes de indicación y de derribo, el árbol debe empezar a caer; bien por sí solo, o con ayuda de la cuña de derribo o de la barra desgajadora.

Recomendamos emplear una longitud de espada mayor que el diámetro del tronco para que los cortes de derribo e indicación se puedan hacer con un 'corte sencillo'. Vea las instrucciones del capítulo Datos técnicos en lo referente a las longitudes de espada recomendadas para su modelo de motosierra.

Hay técnicas para la tala de árboles con diámetros de tronco más grandes que la longitud de la espada. Estas técnicas conllevan un riesgo considerable de que el sector de riesgo de reculada de la espada toque un objeto.

Tratamiento de una tala fallida

Derribo de un árbol "atascado"

Es muy peligroso retirar un árbol atascado y hay un elevado riesgo de accidente.

No intente nunca cortar árboles talados apoyados sobre otros.

No trabaje nunca dentro de la zona de riesgo de árboles talados atascados y suspendidos.

El método más seguro es utilizar un torno.

- Montado en un tractor
- Portátil

Corte de árboles y ramas tensos

Preparativos: Estime el sentido de la tensión y dónde tiene su punto de ruptura (es decir, el punto en el que se rompería si se siguiera tensando).

Determine la forma más segura de soltar la tensión y también, si Ud. puede hacerlo. En situaciones muy complicadas, el único método seguro consiste en utilizar un torno en vez de la motosierra.

Generalidades:

Sitúese de modo que no haya riesgo de que sea alcanzado por el tronco/la rama cuando se suelte.

Haga uno o varios cortes en el punto de ruptura o cerca del mismo. Corte a la profundidad requerida y con el número de cortes necesarios para que la tensión del tronco/la rama se suelte lo suficiente para que el tronco/la rama se "parta" en el punto de ruptura.

¡No corte nunca del todo un objeto en tensión!

Si necesita cortar a través del árbol/rama, haga dos o tres cortes con una separación de 3 cm y una profundidad de 3 a 5 cm.

Continúe serrando a más profundidad hasta que soltar la fuerza y la tensión del árbol/rama.

Sierre el árbol/rama desde el lado opuesto después de soltar la tensión.

Medidas preventivas de las reculadas



¡ATENCIÓN! Las reculadas pueden ser rapidísimas, repentinas y violentas, lanzando la motosierra, la espada y la cadena contra el usuario. Si la cadena en movimiento toca al usuario, pueden producirse lesiones muy graves e incluso mortales. Es necesario comprender las causas de las reculadas y que pueden evitarse procediendo con cuidado y trabajando con la técnica correcta.

¿Qué es la reculada?

Reculada es la denominación de una reacción repentina por la que la motosierra y la espada salen despedidas de un objeto que ha entrado en contacto con el cuadrante superior de la punta de la espada, denominado sector de riesgo de reculada. **(43)**

La reculada sigue siempre el sentido del plano de la espada. Lo más común es que la motosierra y la espada reboten hacia atrás en sentido ascendente, hacia el usuario. También hay otros sentidos de reculada dependiendo de la posición de la motosierra en el momento en que el sector de riesgo de reculada de la espada toca un objeto.

La reculada sólo puede producirse cuando el sector de riesgo de reculada de la espada toca un objeto. **(44)**

Desramado



¡ATENCIÓN! La mayoría de accidentes por reculada ocurren al desramar. No use el sector de riesgo de reculada de la espada. Proceda con sumo cuidado y evite que la punta de la espada entre toque en el tronco, en otras ramas o en objetos. Proceda con sumo cuidado con las ramas que están tensadas. Pueden ser despedidas contra usted y hacerle perder el control, con el riesgo consiguiente de daños.

¡Cerciórese de que pueda caminar y mantenerse de pie con seguridad! Trabaje desde el lado izquierdo del tronco. Trabaje lo más cerca posible de la motosierra para máximo control. Cuando sea posible, descargue el peso de la motosierra apoyándola en el tronco.

Desplácese solamente cuando el tronco esté situado entre Ud. y la motosierra.

Tronzado del tronco

Vea las instrucciones bajo el título Técnica básica de corte.

Generalidades

El usuario sólo puede efectuar los trabajos de mantenimiento y servicio descritos en este manual. Los trabajos de mayor envergadura debe efectuarlos un taller de servicio oficial.

Ajuste del carburador

Su producto Jonsered ha sido diseñado y fabricado conforme a especificaciones que reducen los gases de escape tóxicos.

Funcionamiento

- El régimen del motor se controla mediante el acelerador y el carburador. En el carburador se efectúa la dosificación de la mezcla de aire y combustible. Esta mezcla es regulable. Para obtener la potencia máxima de la máquina, el reglaje de la dosificación debe ser correcto.
- Con el tornillo T se regula la posición del acelerador en ralentí. El ralentí se aumenta girando el tornillo T en el sentido de las agujas del reloj y se reduce girándolo en sentido contrario a las agujas del reloj.

Reglaje básico y rodaje

El reglaje básico del carburador se lleva a cabo en las pruebas que se hacen en fábrica. El ajuste fino debe efectuarlo un técnico capacitado.

Régimen recomendado en ralentí: Vea el capítulo Datos técnicos.

Reglaje preciso del ralentí, tornillo T

El ralentí se regula con el tornillo marcado con una T. Para regular, enrosque (en el sentido de las agujas del reloj) el tornillo T con el motor en marcha hasta que empiece a girar la cadena. A continuación, desenrosque (en sentido contrario a las agujas del reloj) hasta que la cadena se pare. El reglaje del régimen de ralentí es correcto cuando el motor funciona regularmente en todas las posiciones, habiendo un buen margen hasta el régimen en que empieza a girar la cadena.



¡ATENCIÓN! Si el régimen de ralentí no puede ajustarse para que se pare la cadena, acuda a un taller de servicio. No utilice la motosierra hasta que esté correctamente regulada o reparada.

Control, mantenimiento y servicio del equipo de seguridad de la motosierra

Aclaración! Para todos los trabajos de servicio y reparación de la máquina es necesaria una capacitación especial. Esto es especialmente aplicable al equipo de seguridad. Si la máquina no da resultados satisfactorios en alguno de los controles de la lista abajo, le recomendamos que acuda a un taller de servicio. Todas las medidas de mantenimiento que no estén indicadas en este manual deben ser efectuadas por una tienda autorizada con servicio (distribuidor).

Pare el motor y quite el cable de encendido antes de una reparación o mantenimiento

Freno de cadena con protección contra reculadas

Control del desgaste de la cinta de freno

Limpie el freno de cadena y el tambor de embrague de serrín, resina y suciedad. La suciedad y el desgaste perjudican la función de frenado. (45)

Controle regularmente que el punto más desgastado de la cinta de freno tenga un mínimo de 0,6 mm de grosor.

Control de la protección contra reculadas

Compruebe que la protección contra reculadas esté intacta, sin defectos visibles como, por ejemplo, grietas. Empuje la protección contra reculadas adelante y atrás para comprobar que se mueve con facilidad y que está firmemente anclada a su articulación en la cubierta del embrague. (46)

Control de la función de inercia

Mantenga la motosierra, con el motor parado, sobre un tocón u otro objeto estable. Suelte la empuñadura delantera y deje caer la motosierra por su propio peso, rotando en la empuñadura trasera, contra el tocón.

El freno de cadena debe activarse cuando la punta de la espada toca el tocón. (47)

Control del efecto de frenado

Coloque la motosierra sobre una base firme y arránquela. Fíjese que la cadena no entre en contacto con el suelo u otro objeto. Consulte las instrucciones bajo el título Arranque y parada.

Sostenga la motosierra con firmeza, agarrando los mangos con todos los dedos.

Acelere al máximo y active el freno de cadena girando la muñeca izquierda hacia la protección contra reculadas. No suelte el mango delantero. **La cadena debe detenerse inmediatamente.**

Fiador del acelerador

- Compruebe que el acelerador esté bloqueado en la posición de ralentí cuando el fiador está en su posición inicial.
- Apriete el fiador del acelerador y compruebe que vuelva a su posición de partida al soltarlo.

- Compruebe que el acelerador y el fiador se muevan con facilidad y que funcionen sus muelles de retorno.
- Arranque la motosierra y acelere al máximo. Suelte el acelerador y compruebe que la cadena se pare y permanezca inmóvil. Si la cadena gira con el acelerador en la posición de ralentí debe controlarse el reglaje de ralentí del carburador.

Captor de cadena

Compruebe que el captor de cadena esté intacto y que esté firmemente montado al cuerpo de la motosierra.

Protección de la mano derecha

Compruebe que la protección de la mano derecha esté intacta, sin defectos visibles como, por ejemplo, grietas.

Sistema amortiguador de vibraciones

Compruebe regularmente que los elementos antivibraciones no estén agrietados o deformados.

Compruebe que los elementos antivibraciones estén bien anclados entre la parte del motor y la parte de los mangos, respectivamente.

Botón de parada

Arranque el motor y compruebe que se pare cuando se mueve el botón de parada a la posición de parada.

Silenciador

Nunca utilice una máquina que tenga un silenciador defectuoso. Compruebe regularmente que el silenciador esté firmemente montado en la máquina.

Aclaración: El apagachispas (A) de esta máquina se puede cambiar. **(48)** Si la rejilla tiene desperfectos, cámbiela. Con una rejilla obturada, la máquina se sobrecalienta y se averían el cilindro y el pistón. No utilice nunca la máquina si el silenciador está en mal estado. **Nunca utilice un silenciador sin una rejilla apagachispas o con una rejilla apagachispas defectuosa.**

Los usuarios particulares normales no necesitan cambiar el silenciador ni el apagachispas.

Filtro de aire

El filtro de aire debe limpiarse regularmente de polvo y suciedad para evitar:

- Fallos del carburador
- Problemas de arranque
- Reducción de la potencia
- Desgaste innecesario de las piezas del motor.
- Un consumo de combustible excesivo.
- Desmontar el filtro de aire (3) después de quitar la cubierta del cilindro, el tornillo (1) y la cubierta del filtro de aire (2). Al montar el filtro de aire, comprobar que las juntas quedan bien apretadas contra el soporte del filtro. Limpiar el filtro cepillándolo o agitándolo. **(49)**

Para una limpieza a fondo del filtro, lávelo en agua jabonosa.

Un filtro utilizado durante mucho tiempo no puede limpiarse del todo. Por tanto, hay que cambiarlo a intervalos regulares. **Un filtro de aire averiado debe cambiarse.**

Bujía

Los factores siguientes afectan al estado de la bujía:

- Carburador mal regulado.
- Mezcla de aceite inadecuada en el combustible (demasiado aceite o aceite inadecuado).
- Filtro de aire sucio.

Estos factores producen revestimientos en los electrodos de la bujía que pueden ocasionar perturbaciones del funcionamiento y dificultades de arranque.

Si la potencia de la máquina es demasiado baja, si es difícil arrancar la máquina o si el ralentí es irregular: revise primero la bujía antes de tomar otras medidas. Si la bujía está muy sucia, límpiela y compruebe que la separación de los electrodos sea de 0,5 mm. La bujía debe cambiarse aproximadamente después de un mes de funcionamiento o más a menudo si es necesario. **(50)**

Aclaración! ¡Utilice siempre el tipo de bujía recomendado! Una bujía incorrecta puede arruinar el pistón y el cilindro. Asegúrese de que la bujía tenga supresión de perturbaciones radioeléctricas.

MANTENIMIENTO

Programa de mantenimiento

A continuación incluimos una lista con los puntos de mantenimiento a efectuar en la máquina. La mayoría de los puntos se describen en el capítulo "Mantenimiento".

Mantenimiento diario (Todos los 5-10 h)	Mantenimiento semanal (Todos los 10-25 h)	Mantenimiento mensual (Todos los 25-40 h)
Limpie la parte exterior de la máquina.	Controle el mecanismo de arranque, la cuerda y el muelle de retorno.	Compruebe si está desgastada la cinta del freno de cadena. Cámbiela cuando quede menos de 0,6 mm en el punto más gastado.
Compruebe que los componentes del acelerador funcionen con seguridad. (Fiador y acelerador.)	Compruebe que estén intactos los aisladores de vibraciones.	Compruebe si están desgastados el centro, el tambor y el muelle de embrague.
Limpie el freno de cadena y compruebe que funcione con seguridad. Verifique que el captor de cadena esté intacto y cámbielo si es necesario.	Lime las eventuales rebabas en los lados de la espada.	Limpie la bujía. Compruebe que la separación de los electrodos sea de 0,5 mm.
Dé vuelta la espada cada día para que el desgaste sea regular. Compruebe que el orificio de lubricación de la espada no esté obturado. Limpie la guía de la cadena. Si la espada lleva cabezal de rueda, engráselo.	Limpie el compartimento del carburador.	Limpie el exterior del carburador.
Compruebe que la espada y la cadena reciban aceite suficiente.	Limpie el filtro de aire. Cámbielo si es necesario.	Revise el filtro y el conducto de combustible. Cámbielos si es necesario.
Revise la cadena de sierra en lo referente a grietas en remaches y eslabones, rigidez de la cadena o desgaste anormal de remaches y eslabones. Cambie las piezas gastadas.		Vacíe el depósito de combustible y límpielo interiormente.
Afile la cadena y compruebe su tensado y su estado. Verifique que el piñón de arrastre de la cadena no esté demasiado desgastado, cámbielo si es necesario.		Vacíe el depósito de aceite y límpielo interiormente.
Limpie la toma de aire del mecanismo de arranque.		Revise todos los cables y conexiones.
Compruebe que los tornillos y las tuercas estén apretados.		
Controle que el mando de detención funcione.		
Controle que no haya fugas de combustible del motor, del depósito o de los conductos de combustible.		

DATOS TECNICOS

Datos técnicos

	CS 2234	CS 2238
Motor		
Cilindrada, cm ³	38	38
Carrera, mm	32	32
Régimen de ralentí, r.p.m.	3000	3000
Potencia, kW	1,4/9000	1,5/9000
Sistema de encendido		
Bujía	Champion RCJ 7Y	Champion RCJ 7Y
Distancia de electrodos, mm	0,5	0,5
Sistema de combustible y lubricación		
Capacidad del depósito de gasolina, litros	0,3	0,3
Caudal de la bomba de aceite a 8.500 r.p.m., ml/min.	7	7
Capacidad del depósito de aceite, litros	0,19	0,19
Tipo de bomba de aceite	Automática	Automática
Peso		
Motosierra sin espada ni cadena, con depósitos vacíos, kg	4,7	4,7
Emisiones de ruido (vea la nota 1)		
Nivel de potencia acústica medido dB(A)	115	115
Nivel de potencia acústica garantizado L _{WA} dB(A)	118	118
Niveles acústicos (vea la nota 2)		
Nivel de presión acústica equivalente en el oído del usuario, dB(A)	100,6	100,6
Niveles de vibración equivalentes, a_{h_v, eq} (véase la nota 3).		
Mango delantero, m/s ²	3,7	3,7
Mango trasero, m/s ²	5,1	5,1
Cadena/espada		
Longitud de espada estándar, pulgadas/cm	14/35, 16/40	14/35, 16/40
Longitudes de espada recomendadas, pulgadas/cm	14/35, 16/40	14/35, 16/40
Longitud efectiva de corte, pulgadas/cm	13,5/34, 15,5/39	13,5/34, 15,5/39
Paso, pulgadas/mm	3/8 / 9,52	3/8 / 9,52
Grosor del eslabón de arrastre, pulgadas/mm	0,050/1,3	0,050/1,3
Tipo de piñón de arrastre/número de dientes	6	6
Velocidad de la cadena a potencia máxima, m/s	17,1	17,1

Nota 1: Emisiones sonoras en el entorno medidas como potencia acústica (L_{WA}) según la directiva CE 2000/14/CE.

Nota 2: el nivel de presión sonora equivalente, según la norma ISO 22868, se calcula como la suma de energía, ponderada en el tiempo, de los niveles de presión sonora en diferentes condiciones de trabajo. La dispersión estadística habitual del nivel de presión sonora equivalente es la desviación típica de 1 dB (A).


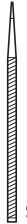

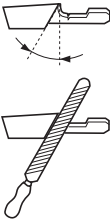
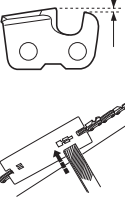
Nota 3: el nivel de vibración equivalente, según la norma ISO 22867, se calcula como la suma de energía, ponderada en el tiempo, de los niveles de vibración en diferentes condiciones de trabajo. Los datos referidos del nivel de vibración equivalente poseen una dispersión estadística habitual (desviación típica) de 1 m/s².

DATOS TECNICOS

Combinaciones de espada y cadena

Los siguientes equipos de corte están homologados para los modelos Jonsered CS 2234 y CS 2238.

Espada				Cadena	
Longitud, pulgadas	Paso, pulgadas	Anchura de ranura, mm	Máximo número de dientes, cabezal de rueda	Tipo	Longitud, eslabones de arrastre (unidad)
14	3/8	1,3	7T	Jonsered H37	52
16	3/8		7T		56
18	3/8		7T		62

					
	inch/mm			inch/mm	
H37	5/32/4,0	80°	30°	0°	0.025/0,65

Declaración CE de conformidad

(Rige sólo para Europa)

Nosotros, **Husqvarna**, SE-561 82 Huskvarna, Suecia, tel. +46-36-146500, declaramos que las motosierras **Jonsered CS 2234 y CS 2238**, a partir del número de serie del año 2007 en adelante (el año se indica claramente en la placa de identificación, seguido del número de serie), cumplen con las siguientes disposiciones en la DIRECTIVA DEL CONSEJO:

- **2006/42/CE** «relativa a máquinas» del 17 de mayo de 2006.
- **2004/108/CEE**, "referente a compatibilidad electromagnética", del 15 de diciembre de 2004.
- **2000/14/CE**, "sobre emisiones sonoras en el entorno" del 8 de mayo de 2000.

Para más información sobre las emisiones sonoras, consulte el capítulo Datos técnicos. Se han aplicado las siguientes normas: **EN ISO 12100-2:2003**, **CISPR 12:2001**, **EN ISO 11681-1:2004**

Organismo inscrito: **0404, SMP, Svensk Maskinprovning AB**, Fyrisborgsgatan 3, SE-754 50 Uppsala, Suecia, ha efectuado el examen CE de tipo conforme a la Directiva sobre máquinas (2006/42/CE), artículo 12, apartado 3b. El certificado sobre el examen CE de tipo conforme al Anexo IX tiene el número: **0404/09/2048**.

Asimismo, SMP, Svensk Maskinprovning AB, Fyrisborgsgatan 3, SE-754 50 Uppsala, Suecia, ha certificado la conformidad con el Anexo V de la Directiva del Consejo del 8 de mayo de 2000 "sobre emisiones sonoras en el entorno", 2000/14/CE. Los certificados tienen el número: **26/161/003** - CS 2234, **26/161/004** - CS 2238.

La motosierra entregada coincide con el ejemplar que fue sometido al examen CE de tipo.

Huskvarna, 29 de diciembre de 2009



Ronnie E. Goldman, Director técnico. (presentante autorizado de Husqvarna AB y responsable de la documentación técnica).

Bästa kund!

Gratulerar till Ditt val att köpa en Jonsered-produkt!

Vi är övertygade om att ni med tillfredsställelse kommer att uppskatta vår produkts kvalitet och prestanda under en lång tid framöver. Ett köp av någon av våra produkter ger dig tillgång till professionell hjälp med reparationer och service om något ändå skulle hända. Om inköpsstället för maskinen inte var någon av våra auktoriserade återförsäljare, fråga dem efter närmaste serviceverkstad.

Vi hoppas att Du kommer att vara nöjd med Din maskin och att den ska få vara Din följeslagare under en lång tid framöver. Tänk på att denna bruksanvisning är en värdehandling. Genom att följa dess innehåll (användning, service, underhåll etc) kan Du väsentligt höja maskinens livslängd och även dess andrahandsvärde. Om Du säljer Din maskin, se till att överlåta bruksanvisningen till den nya ägaren.

Lycka till med användandet av Din Jonsered-produkt!

Jonsered arbetar ständigt med att vidareutveckla sina produkter och förbehåller sig därför rätten till ändringar beträffande bl.a. form och utseende utan föregående meddelande.

Symboler på maskinen:

WARNING! Motorsågar kan vara farliga! Slarvigt eller felaktigt användande kan resultera i allvarliga skador eller dödsfall för föraren eller andra.

Läs igenom bruksanvisningen noggrant och förstå innehållet innan du använder maskinen.

Använd alltid:

- Godkänd skyddshjälm
- Godkända hörselskydd
- Skyddsglasögon eller visir

Denna produkt överensstämmer med gällande EG-direktiv.

Bulleremissioner till omgivningen enligt Europeiska Gemenskapens direktiv. Maskinens emission anges i kapitel Tekniska data och på dekal.

Håll alltid motorsågen med båda händerna.

Använd aldrig motorsågen med endast en hand.

Tillåt aldrig svärdsspetsen att komma i kontakt med ett föremål.

WARNING! Kast kan uppstå när svärdsspetsen kommer i kontakt med ett föremål och orsakar en reaktion som kastar svärdet uppåt och bakåt mot användaren. Detta kan orsaka allvarlig personlig skada.

Kedjebroms, aktiverad (vänster)
Kedjebroms, ej aktiverad (höger)



Övriga på maskinen angivna symboler/dekaler avser specifika krav för certifieringar på vissa marknader.

Vad är vad på motorsågen? (1)

- 1 Informations- och varningsdekal
- 2 Cylinderkåpa
- 3 Bränslepump
- 4 Starthandtag
- 5 Chokereglage/Startgasspär
- 6 Stoppkontakt (Till- och frånslagning av tändning.)
- 7 Bakre handtag
- 8 Bränsletank
- 9 Justerskruvar förgasare
- 10 Startapparat
- 11 Kedjeoljetank
- 12 Produkt- och serienummerskyt
- 13 Gasreglage-spärr (Förhindrar ofrivilligt gaspådrag.)
- 14 Främre handtag
- 15 Kastskydd
- 16 Ljuddämpare
- 17 Sågsvärd
- 18 Noshjul
- 19 Sågkedja
- 20 Barkstöd
- 21 Kedjefångare
- 22 Kedjespännarskruv
- 23 Kopplingskåpa
- 24 Bakre handtag med högerhandsskydd
- 25 Gasreglage
- 26 Bruksanvisning
- 27 Kombinyckel
- 28 Svärdsskydd

Innehåll

INLEDNING

Bäste kund!	46
Symboler på maskinen:	46
Vad är vad på motorsågen?	47

INNEHÅLL

Innehåll	47
----------------	----

ALLMÄNNA SÄKERHETSINSTRUKTIONER

Åtgärder före användning av ny motorsåg	48
Viktigt	48
Använd alltid sunt förnuft	48
Personlig skyddsutrustning	49
Maskinens säkerhetsutrustning	49
Skärutrustning	50

MONTERING

Montering av svärd och kedja	53
------------------------------------	----

BRÄNSLEHANTERING

Drivmedel	54
Tankning	54
Bränslesäkerhet	55

START OCH STOPP

Start och stopp	55
-----------------------	----

ARBETSTEKNIK

Före varje användning:	56
Allmänna arbetsinstruktioner	56
Kastförebyggande åtgärder	59

UNDERHÅLL

Allmänt	60
Förgasarjustering	60
Kontroll, underhåll och service av motorsågens säkerhetsutrustning	60
Ljuddämpare	61
Luftfilter	61
Tändstift	61
Underhållsschema	62

TEKNISKA DATA

Tekniska data	63
Svärd och kedjekombinationer	64
EG-försäkran om överensstämmelse	64

Åtgärder före användning av ny motorsåg

- Läs igenom bruksanvisningen noggrant.
- **(1) - (50)** hänvisar till illustrationer på sid. 2-5.
- Kontrollera skärutrustningens montering och justering. Se anvisningar under rubrik Montering.
- Tanka och starta motorsågen. Se anvisningar under rubrikerna Bränslehantering och Start och Stopp.
- Använd inte motorsågen förrän tillräckligt med kedjesmörjolja har nått sågkedjan. Se anvisningar under rubrik Smörjning av skärutrustningen.
- Långvarig exponering för buller kan ge bestående hörselskador. Använd därför alltid godkända hörselskydd.



WARNING! Under inga förhållanden får maskinens ursprungliga utformning ändras utan tillstånd från tillverkaren. Använd alltid originaltillbehör. Icke auktoriserade ändringar och/eller tillbehör kan medföra allvarliga skador eller dödsfall för föraren eller andra.



WARNING! En motorsåg kan felaktigt eller slarvigt använd vara ett farligt redskap, som kan orsaka allvarlig, till och med livshotande, skada. Det är mycket viktigt att du läser och förstår innehållet i denna bruksanvisning.



WARNING! Ljuddämparen innehåller kemikalier som kan vara cancerframkallande. Undvik kontakt med dessa kemikalier ifall ljuddämparen skulle gå sönder.



WARNING! Långvarig inandning av motors avgaser, kedjeoljedimma och damm från sågspån kan utgöra en hälsorisk.



WARNING! Denna maskin alstrar under drift ett elektromagnetiskt fält. Detta fält kan under vissa omständigheter ge påverkan på aktiva eller passiva medicinska implantat. För att reducera risken för allvarliga eller livshotande skador rekommenderar vi därför personer med implantat att rådgöra med läkare samt tillverkaren av det medicinska implantatet innan denna maskin används.

Viktigt

VIKTIGT!

Maskinen är endast konstruerad för sågning i trä.

Du bör endast använda de svärd/sågkedjekombinationer vi rekommenderar i kapitel Tekniska data.

Använd aldrig maskinen om du är trött, om du har druckit alkohol eller om du tar mediciner, som kan påverka din syn, ditt omdöme eller din kroppskontroll.

Använd personlig skyddsutrustning. Se anvisningar under rubrik Personlig skyddsutrustning.

Modifiera aldrig denna maskin så att den ej längre överensstämmer med originalutförandet, och använd den inte om den verkar ha blivit modifierad av andra.

Använd aldrig en maskin som är felaktig. Följ underhålls-, kontroll- och serviceinstruktioner i denna bruksanvisning. Vissa underhålls- och serviceåtgärder skall utföras av tränade och kvalificerade specialister. Se anvisningar under rubrik Underhåll.

Använd aldrig andra än i denna bruksanvisning rekommenderade tillbehör. Se anvisningar under rubrikerna Skärutrustning och Tekniska data.

OBS! Använd alltid skyddsglasögon eller ansiktsvisir för att minska risken för skador från slungande föremål. En motorsåg är kapabel till att slunga iväg föremål, såsom sågspån, små trästycken, etc, med stor kraft. Detta kan orsaka allvarlig skada, speciellt på ögonen.



WARNING! Att köra en motorsåg i ett instängt eller dåligt ventilerat utrymme kan orsaka dödsfall genom kvävning eller kolmonoxidförgiftning.



WARNING! En felaktig skärutrustning eller en felaktig svärd/sågkedjekombination ökar risken för kast! Använd endast de svärd/sågkedjekombinationer vi rekommenderar, samt följ filningsinstruktionen. Se anvisningar under rubrik Tekniska data.

Använd alltid sunt förnuft (2)

Det är omöjligt att täcka alla tänkbara situationer du kan ställas inför vid användande av motorsåg. Var alltid försiktig och använd sunt förnuft. Undvik situationer som du anser dig otillräckligt kvalificerad för. Om du efter att ha läst dessa instruktioner fortfarande känner dig osäker angående tillvägagångssätt, skall du rådfråga en expert innan du fortsätter. Tveka inte att kontakta din återförsäljare eller oss om du har frågor angående användning av motorsåg. Vi står gärna till tjänst och ger dig råd som hjälper dig att använda din motorsåg på ett bättre och säkrare sätt. Gå gärna en utbildning i motorsågsanvändning. Din återförsäljare, skogsvärdsskola eller ditt bibliotek kan upplysa dig om vilket utbildningsmaterial och vilka kurser som finns tillgängliga. Det pågår ett ständigt arbete med att förbättra design och teknik - förbättringar som ökar din säkerhet och effektivitet. Besök din återförsäljare regelbundet för att se vilken nytta du kan ha av de nyheter som introduceras.

Personlig skyddsutrustning



VARNING! Merparten av olyckor med motorsåg inträffar när sågkedjan träffar användaren. Vid all användning av maskinen skall godkänd personlig skyddsutrustning användas. Personlig skyddsutrustning eliminerar inte skaderisken, men den reducerar effekten av en skada vid ett olyckstillbud. Be din återförsäljare om hjälp vid val av utrustning.

- Godkänd skyddshjälm
- Hörselskydd
- Skyddsglasögon eller visir
- Handskar med sågskydd
- Byxor med sågskydd
- Stövlar med sågskydd, stålhatta och halkfri sula
- Första förband ska alltid finnas till hands.
- Brandsläckare och spade

Klädseln i övrigt bör vara åtsittande utan att begränsa dina rörelsemöjligheter.

VIKTIGT! Gnistor kan komma från ljuddämparen, svärdet och kedjan eller annan källa. Ha alltid verktyg för brandsläckning tillgängliga ifall du skulle behöva dem. På så sätt hjälper du till att förhindra skogsbränder.

Maskinens säkerhetsutrustning

I detta avsnitt förklaras vilka maskinens säkerhetsdetaljer är, samt deras funktion. För kontroll och underhåll se anvisningar under rubrik Kontroll, underhåll och service av motorsågens säkerhetsutrustning. Se anvisningar under rubrik Vad är vad?, för att hitta var dessa detaljer är placerade på din maskin.

Maskinens livslängd kan förkortas och risken för olyckor kan öka om underhåll av maskinen inte utförs på rätt sätt och om service och/eller reparationer inte utförs fackmannamässigt. Om du behöver ytterligare upplysningar kontakta närmaste serviceverkstad.



VARNING! Använd aldrig en maskin med defekt säkerhetsutrustning. Säkerhetsutrustningen ska kontrolleras och underhållas. Se anvisningar under rubrik Kontroll, underhåll och service av motorsågens säkerhetsutrustning. Om din maskin inte klarar alla kontrollerna ska serviceverkstad uppsökas för reparation.

Kedjebroms med kastskydd

Din motorsåg är utrustad med kedjebroms, vilken är konstruerad att stoppa sågkedjan vid kast. En kedjebroms reducerar risken för olyckor, men det är endast Du som användare som kan förhindra dem. Var försiktig vid användning och se till att svärdets kastrisksektor aldrig kommer i kontakt med ett föremål.

- Kedjebromsen (A) aktiveras antingen manuellt (via vänsterhanden) eller med tröghetsfunktionen. (3)
- Aktivering sker när kastskyddet (B) förs framåt. (3)
- Den rörelsen aktiverar en fjäderspänd mekanism som spänner bromsbandet (C) runt motors sågdrivningssystem (D) (kopplingstrumman). (4)

- Kastskyddet är inte enbart konstruerat för att aktivera kedjebromsen. En annan mycket viktig funktion är att det reducerar risken för att vänsterhanden skall träffa sågkedjan om man tappar greppet om främre handtaget.
- Kedjebromsen skall vara tillslagen när motorsågen startas för att förhindra kedjan från att rotera.
- Använd kedjebroms som "parkeringsbroms" vid start samt vid kortare förflyttning, för att förhindra olyckor där användare eller omgivning ofrivilligt kan komma i kontakt med sågkedjan i rörelse.
- Kedjebromsen frikopplas genom att kastskyddet förs bakåt, mot främre handtaget.
- Kast kan vara blixtnabba och mycket våldsamma. De flesta kast är små och resulterar inte alltid i att kedjebromsen aktiveras. Vid sådana kast gäller att hålla motorsågen i ett stadigt grepp och att inte släppa det.
- Hur kedjebromsen aktiveras, manuellt eller via tröghetsfunktionen, styrs av hur våldsamt kastet är samt motorsågens position i förhållande till det föremål svärdets kastrisksektor kommit i kontakt med. Vid våldsamma kast och där svärdets kastrisksektor befinner sig så långt bort från användaren som möjligt, är kedjebromsen konstruerad så att den aktiveras via kedjebromsens motvikt (tröghet) i kastriktningen. Vid mindre våldsamma kast eller under arbetssituationer där kastrisksektorn befinner sig nära användaren, aktiveras kedjebromsen manuellt via vänsterhanden.
- Vid fälläge är vänsterhanden i ett läge som omöjliggör manuell aktivering av kedjebromsen. Vid denna typ av grepp, dvs när vänsterhanden är placerad så den ej kan påverka kastskyddets rörelse, kan kedjebromsen endast aktiveras via tröghetsfunktionen.

Kommer min hand alltid att aktivera kedjebromsen vid kast?

Nej. Det krävs en viss kraft för att föra kastskyddet framåt. Om din hand endast lätt snuddar vid kastskyddet eller sliner över det, kan det hända att kraften inte är tillräckligt stark för att utlösa kedjebromsen. Du skall även hålla ett stadigt grepp om motorsågens handtag när du arbetar. Om du gör det och får ett kast, släpper du kanske aldrig handen om det främre handtaget och aktiverar inte kedjebromsen, eller också aktiveras kedjebromsen först när sågen har hunnit svänga runt en bra bit. I en sådan situation kan det hända att kedjebromsen inte hinner stoppa kedjan innan den träffar dig. Det förekommer också vissa arbetsställningar som gör att din hand inte kan nå kastskyddet för att aktivera kedjebromsen; t.ex. när sågen hålls i fällningsposition.

Kommer tröghetsaktivering av kedjebromsen alltid ske om ett kast inträffar?

Nej. För det första måste din broms fungera. Att testa bromsen är lätt, se anvisningar under rubrik Kontroll, underhåll och service av motorsågens säkerhetsutrustning. Vi rekommenderar att du gör detta innan du påbörjar varje arbetspass. För det andra måste kastet vara tillräckligt kraftigt för att aktivera kedjebromsen. Om kedjebromsen vore för känslig skulle den ständigt aktiveras, vilket skulle vara besvärande.

ALLMÄNNA SÄKERHETSINSTRUKTIONER

Kommer kedjebromsen alltid att skydda mig från skador om ett kast inträffar?

Nej. För det första måste din broms fungera för att ge det avsedda skyddet. För det andra måste den aktiveras så som beskrivs ovan för att stoppa sågkedjan vid ett kast. För det tredje kan kedjebromsen aktiveras, men om svärdet är för nära dig kan det hända att bromsen inte hinner saktas ner och stoppa kedjan innan motorsågen träffar dig.

Endast du själv och en korrekt arbetsteknik kan eliminera kast och dess risker.

Gasreglagespär

Gasreglagespärren är konstruerad att förhindra ofrivillig aktivering av gasreglaget. När spärren (A) trycks ner i handtaget (= när man håller om handtaget) frikopplas gasreglaget (B). När greppet om handtaget släpps återställs både gasreglaget samt gasreglagespärren till sina respektive ursprungslägen. Detta läge innebär att gasreglaget automatiskt låses på tomgång. (5)

Kedjefångare

Kedjefångaren är konstruerad att fånga upp en avhoppad eller brusten kedja. Dessa händelser undviks i de flesta fall genom en korrekt kedjespänning (se anvisningar under rubrik Montering) samt korrekt underhåll och service av svärd och kedja (se anvisningar under rubrik Allmänna arbetsinstruktioner).

Högerhandsskydd

Högerhandsskyddet skall förutom att skydda handen vid ett kedjeavhopp eller när en kedja går av, se till att grenar och kvistar inte påverkar greppet om bakre handtaget.

Avvibreringssystem

Din maskin är utrustad med ett avvibreringssystem, vilket är konstruerat att ge en så vibrationsfri och behaglig användning som möjligt.

Maskinens avvibreringssystem reducerar överföringen av vibrationer mellan motorenhet/skärutrustning och maskinens handtagsenhet. Motorsågkroppen, inklusive skärutrustning, hänger i handtagsenheten via s.k. avvibreringselement.

Sågning i ett hårt träslag (de flesta lövträd) ger mer vibrationer än sågning i ett mjukt (de flesta barrträd). Sågning med en oskärt eller felaktigt (fel typ eller felaktigt filad) skärutrustning ökar vibrationsnivån.



WARNING! Överexponering av vibrationer kan leda till blodkärls- eller nervskador hos personer som har blodcirkulationsstörningar. Uppsök läkare om ni upplever kroppsliga symptom som kan relateras till överexponering av vibrationer. Exempel på sådana symptom är domningar, avsaknad av känsel, "kittlingar", "stickningar", smärta, avsaknad eller reduktion av normal styrka, förändringar i hudens färg eller dess yta. Dessa symptom uppträder vanligtvis i fingrar, händer eller handleder. Dessa symptom kan öka vid kalla temperaturer.

Stoppkontakt

Stoppkontakten ska användas för att stänga av motorn.

Ljuddämpare

Ljuddämparen är konstruerad för att reducera ljudnivån samt för att leda bort motorns avgaser från användaren.



WARNING! Motorns avgaser är heta och kan innehålla gnistor vilka kan orsaka brand. Starta därför aldrig maskinen inomhus eller nära eldfångt material!

I områden med varmt och torrt klimat kan risken för bränder vara påtaglig. Det förekommer att dessa områden regleras med lagstiftning och krav på att ljuddämparen bland annat skall vara utrustad med godkänt gnistfångarnät (A). (6)

OBS! Ljuddämparen blir mycket het såväl vid användning som efter stopp. Detta gäller även vid tomgångskörning. Var uppmärksam på brandfaran, speciellt vid hantering nära brandfarliga ämnen och/eller gaser.



WARNING! Använd aldrig en motorsåg utan eller med defekt ljuddämpare. En defekt ljuddämpare kan öka ljudnivån och brandrisken avsevärt. Ha verktyg för brandsläckning tillgängliga. Använd aldrig en motorsåg utan eller med defekt gnistfångarnät om gnistfångarnät är obligatoriskt i ditt arbetsområde.

Skärutrustning

Detta avsnitt behandlar hur du genom korrekt underhåll samt genom användning av korrekt typ av skärutrustning:

- Reducerar maskinens kastbenägenhet.
- Minskar förekomsten av sågkedjeavhopp samt sågkedjebrott.
- Erhåller optimal skärprestanda.
- Ökar skärutrustningens livslängd.
- Undviker ökning av vibrationsnivåer.

Grundregler

- **Använd endast den skärutrustning vi rekommenderar!** Se anvisningar under rubrik Tekniska data.
- **Håll sågkedjans skärtänder väl och korrekt skärpta!** Följ våra instruktioner och använd rekommenderad filmall. En felskärt eller skadad sågkedja ökar risken för olyckor.
- **Håll korrekt underställning!** Följ våra instruktioner och använd rekommenderad underställningsmall. En för stor underställning ökar risken för kast.
- **Håll sågkedjan sträckt!** En otillräckligt sträckt sågkedja ökar risken för sågkedjeavhopp samt ökar slitaget på svärd, sågkedja och sågkedjedrivhjul.
- **Håll skärutrustningen välsmord och korrekt underhållen!** En otillräcklig smörjning av sågkedja ökar risken för sågkedjebrott samt ökar slitaget på svärd, sågkedja och sågkedjedrivhjul.

Kastreducerande skärutrustning



VARNING! En felaktig skärutrustning eller en felaktig svärd/sågkedjekombination ökar risken för kast! Använd endast de svärd/sågkedjekombinationer vi rekommenderar, samt följ filningsinstruktionen. Se anvisningar under rubrik **Tekniska data**.

Kast kan endast undvikas genom att du som användare ser till att svärdets kastrisksektor aldrig kommer i kontakt med ett föremål.

Genom att använda skärutrustning med "inbyggd" kastreduktion och genom att skärpa och underhålla sågkedjan korrekt kan effekten av ett kast reduceras.

Svärd

Ju mindre nosradie desto lägre kastbenägenhet.

Sågkedja

En sågkedja är uppbyggd av ett antal olika länkar vilka finns både i standard och i kastreducerat utförande.

VIKTIGT! Inga sågkedjor eliminerar risken för kast.



VARNING! Varje kontakt med en roterande sågkedja kan orsaka mycket svåra skador.

Några uttryck som specificerar svärd och sågkedja

För att bibehålla alla säkerhetsdetaljer på skärutrustningen, bör du ersätta slitna och skadade svärd-/kedjekombinationer mot ett svärd och en kedja som Jonsered rekommenderar. Se anvisningar under rubrik **Tekniska data** för information om vilka svärd-/kedjekombinationer vi rekommenderar.

Svärd

- Längd (tum/cm)
- Antal tänder i noshjulet (T).
- Sågkedjedelning (=pitch) (tum). Svärdets noshjul och motorsågens kedjedrivhjul måste vara anpassad till avståndet mellan drivlänkarna.
- Antal drivlänkar (st). Varje svärdslängd ger i kombination med sågkedjedelning samt antal tänder i noshjulet ett bestämt antal drivlänkar.
- Svärdsspårbredd (tum/mm). Svärdspårets bredd måste vara anpassad till sågkedjans drivlänksbredd.
- Sågkedjeoljehål och hål för kedjesträckartapp. Svärdet måste vara anpassat till motorsågens konstruktion.

Sågkedja

- Sågkedjedelning (=pitch) (tum)
- Drivlänksbredd (mm/tum)
- Antal drivlänkar (st)

Skärpning och justering av underställning hos sågkedja



VARNING! Bär alltid handskar när du arbetar med kedjan så att du skyddar dina händer från skador.

Allmänt angående skärpning av skärtand

- Såga aldrig med en slö sågkedja. Tecken på att sågkedjan är slö är att du måste pressa skärutrustningen genom träet och att träspånorna är mycket små. En mycket slö sågkedja ger inga träspånor alls. Det enda resultatet blir träpuder.
- En välskärpt sågkedja äter sig själv ner genom träet och ger träspånor som är stora och långa.
- Den sågande delen hos en sågkedja kallas skärlänk och består av en skärtand (A) och en underställningsklack (B). Avståndet i höjd mellan dessa avgör skärdjupet. (7)

Vid skärpning av skärtand finns fyra mått att ta hänsyn till.

- 1 Filningsvinkel
- 2 Stötvinkel
- 3 Filläge
- 4 Rundfilldiameter

Det är mycket svårt att skärpa en sågkedja korrekt utan hjälpmedel. Därför rekommenderar vi att du använder vår filmall. Den säkerställer att sågkedjan skärps för optimal kastreduktion och skärkapacitet.

Se anvisningar under rubrik **Tekniska data** angående vilka data som gäller vid skärpning av din motorsågs sågkedja.



VARNING! Avsteg från skärpningsinstruktionen ökar sågkedjans kastbenägenhet avsevärt.

Skärpning av skärtand

För skärpning av skärtand behövs en rundfil och en filmall. Se anvisningar under rubrik **Tekniska data** angående vilken rundfilldiameter samt vilken filmall som rekommenderas till din motorsågs sågkedja.

- Kontrollera att sågkedjan är sträckt. En otillräcklig sträckning gör sågkedjan instabil i sidled vilket försvårar en korrekt skärpning.
- Fila alltid från skärtandens insida och utåt. Lätta filen på returdraget. Fila alla tänderna på ena sidan först, vänd därefter motorsågen och fila den återstående sidans tänder.
- Fila så att alla tänder blir lika långa. När endast 4 mm (0,16") återstår av skärtandens längd är sågkedjan utsliten och skall slängas. (8)

Allmänt angående justering av underställning

- Vid skärpning av skärtanden minskar underställningen (=skärdjupet). För att behålla maximal skärkapacitet måste underställningsklacken sänkas till rekommenderad nivå. Se anvisningar under rubrik **Tekniska data** angående hur stor underställningen skall vara på din motorsågs sågkedja.



VARNING! För stor underställning ökar sågkedjans kastbenägenhet!

ALLMÄNNA SÄKERHETSINSTRUKTIONER

Justering av underställning

- När justering av underställningen görs, måste skärtänderna vara nyskärpta. Vi rekommenderar att underställningen justeras efter var tredje sågkedjeskärpning. OBS! Denna rekommendation förutsätter att skärtändernas längd inte filats ner onormalt.
- För justering av underställningen behövs en flattil och en underställningsmall. Vi rekommenderar att du använder vår filmall för underställning, för att få rätt underställningsmått och rätt vinkel på underställningsklacken.
- Lägg filmallen över sågkedjan. Information om användning av filmallen finns på förpackningen. Använd flattilen för att fila bort överskottet på den överskjutande delen av underställningsklacken. Underställningen är korrekt då inget motstånd känns när du drar filen över mallen.

Sträckning av sågkedjan



WARNING! En otillräckligt sträckt sågkedja kan resultera i sågkedjeavhopp vilket kan orsaka allvarlig, till och med livshotande skada.



WARNING! Använd alltid godkända skyddshandskar. Även en kedja som inte rör sig kan orsaka allvarliga skador på användaren eller andra personer som kommer åt kedjan.

Ju mer du använder en sågkedja desto längre blir den. Det är viktigt att man justerar skärutrustningen efter denna förändring.

Sågkedjesträckningen skall kontrolleras vid varje tankningstillfälle. OBS! En ny sågkedja kräver en inkörningsperiod under vilken man skall kontrollera sågkedjesträckningen oftare.

Generellt gäller att man skall sträcka sågkedjan så hårt som möjligt, men inte hårdare än att den lätt kan dras runt för hand. (9)

- Lossa svärdsmuttrarna som låser kopplingskåpan/kedjebromsen. Använd kombinyckeln. Dra sedan åt svärdsmuttrarna med handkraft så hårt du kan. (10)
- Lyft upp svärdsspetsen och sträck sågkedjan genom att skruva sågkedjesträckarskruvorna med hjälp av kombinyckeln. Sträck sågkedjan ända tills den inte hänger slak på svärdets undersida. (11)
- Använd kombinyckeln och dra åt svärdsmuttrarna samtidigt som du håller upp svärdsspetsen. Kontrollera att sågkedjan lätt kan dras runt för hand och att den inte hänger ner på svärdets undersida. (12)

Smörjning av skärutrustningen



WARNING! Otillräcklig smörjning av skärutrustningen kan resultera i sågkedjebrott vilket kan orsaka allvarlig, till och med livshotande skada.

Sågkedjeolja

En sågkedjeolja skall ha god vidhäftning vid sågkedjan samt ha goda flytegenskaper oavsett om det är varm sommar eller kall vinter.

Som motorsågstillverkare har vi utvecklat en optimal sågkedjeolja som genom sin vegetabiliska bas dessutom är biologiskt nedbrytbar. Vi rekommenderar användande av vår olja för maximal livslängd såväl för sågkedjan som för miljön. Är vår sågkedjeolja ej tillgänglig rekommenderas vanlig sågkedjeolja.

Använd aldrig spillolja! Den är skadlig både för dig, maskinen och miljön.

VIKTIGT! Vid användning av vegetabilisk sågkedjeolja, demontera och rengör svärdsspår och sågkedja innan långtidsförvaring. Risk finns annars att sågkedjeoljan oxiderar, vilket medför att sågkedjan blir stel och svärdets noshjul kärvar.

Påfyllning av sågkedjeolja

- Samtliga våra motorsågsmodeller har automatisk sågkedjesmörjning. En del av modellerna kan även fås med justerbart oljeflöde.
- Sågkedjeoljetanken och bränsletanken är dimensionerade så att bränslet ska ta slut innan sågkedjeoljan tar slut. Dock förutsätter denna säkerhetsfunktion att man använder korrekt sågkedjeolja (en för tunn och lättflytande olja tömmer sågkedjeoljetanken innan bränslet tar slut), att man följer vår rekommendation angående förgasarinställning (en för "mager" inställning gör att bränslet räcker längre än sågkedjeoljan) samt att man följer våra rekommendationer när det gäller skärutrustning (ett för långt svärd kräver mer kedjeolja).

Kontroll av sågkedjesmörjning

- Kontrollera sågkedjesmörjningen vid varje tankningstillfälle. Se anvisningar under rubrik Smörjning av svärdets noshjul. Rikta på ca 20 cm (8 tum) avstånd svärdsspetsen mot ett fast ljus föremål. Efter 1 minuts körning på 3/4 gas ska en tydlig oljerand synas på det ljusa föremålet.
- Om sågkedjesmörjningen inte fungerar:
 - Kontrollera att svärdets sågkedjeoljekanal är öppen. Rengör vid behov.
 - Kontrollera att svärdspåret är rent. Rengör vid behov.
 - Kontrollera att svärdets noshjul går lätt samt att noshjulets smörjhål är öppet. Rengör och smörj vid behov.

Om sågkedjesmörjningen inte fungerar efter genomgång av ovan listade kontroller och tillhörande åtgärder ska du uppsöka din serviceverkstad.

Kedjedrivhjul

Kopplingstrumman är försedd med ett Spur-drivhjul (kedjedrivhjulet fastlöst på trumman).

Kontrollera regelbundet slitagenivån hos kedjedrivhjulet. Byt om det är onormalt slitet. Kedjedrivhjul ska bytas vid varje sågkedjebyte.

Slitagekontroll av skärutrustningen

Kontrollera sågkedjan dagligen med avseende på:

- Synliga sprickor i nitar och länkar.
- Om sågkedjan är stel.
- Om nitar och länkar är onormalt slitna.

Kassera sågkedjan om den uppvisar någon eller några av ovanstående punkter.

Vi rekommenderar att ni använder en ny sågkedja som mått på hur slitnen den sågkedja ni använder är.

När endast 4 mm återstår av skärtandens längd är sågkedjan utsliten och ska slängas.

Svärd

Kontrollera regelbundet:

- Om grader bildats på svärdsbommarnas utsidor. Fila bort vid behov. **(13A)**
- Om svärdsspåret är onormalt slitet. Byt svärd vid behov. **(13B)**
- Om svärdsnosen är onormalt eller ojämnt slitet. Om en "grop" bildats där svärdsnosens radie slutar på svärdets undersida, har du kört med otillräckligt sträckt sågkedja.
- För maximal livslängd bör svärdet vändas dagligen.



WARNING! Merparten av olyckor med motorsåg inträffar när sågkedjan träffar användaren.

Använd personlig skyddsutrustning. Se anvisningar under rubrik Personlig skyddsutrustning.

Undvik all användning du anser dig otillräckligt kvalificerad för. Se anvisningar under rubrikerna Personlig skyddsutrustning, Kastförebyggande åtgärder, Skärutrustning och Allmänna arbetsinstruktioner.

Undvik situationer där kastrisk föreligger. Se anvisningar under rubrik Maskinens säkerhetsutrustning.

Använd rekommenderad skärutrustning och kontrollera dess skick. Se anvisningar under rubrik Allmänna arbetsinstruktioner.

Kontrollera funktionen hos motorsågens säkerhetsdetaljer. Se anvisningar under rubrikerna Allmänna arbetsinstruktioner och Allmänna säkerhetsinstruktioner.

Montering av svärd och kedja



WARNING! Kontroll och/eller underhåll skall utföras med motorn frånslagen. Stoppkontakten återgår automatiskt till startläge. För att undvika ofrivillig start, måste därför alltid tändhatten avlägsnas från tändstiftet vid montering, kontroll och/eller underhåll.

Bär alltid handskar när du arbetar med kedjan så att du skyddar dina händer från skador.

Kontrollera att kedjebromsen ej är i utlöst läge genom att föra kedjebromsens kastskydd mot främre handtagsbygeln.

Skruva bort svärdsmuttrarna och tag bort kopplingskåpan (kedjebromsen). Avlägsna transportskyddet. (A) **(15)**

Montera svärdet över svärdsbultarna. Placera svärdet i sitt bakersta läge. Placera kedjan över kedjedrivhjulet och i svärdsspåret. Börja på svärdets ovasida. **(17)**

Kontrollera att eggen på skäränkarna är riktade framåt på ovasidan av svärdet.

Montera kopplingskåpan (kedjebromsen) och lokalisera kedjespännartappen i svärdets urtag. Kontrollera att kedjans drivlänkar passar på kedjedrivhjulet och att kedjan ligger rätt i svärdsspåret. Drag åt svärdsmuttrarna med fingrarna. **(17)**

Spänn kedjan genom att med hjälp av kombinyckeln skriva kedjespännarskraven medurs. Kedjan skall sträckas tills den inte hänger slak på svärdets undersida. Se anvisningar under rubrik Sträckning av sågkedjan. **(18)**

Kedjan är korrekt spänd när den inte hänger slak på svärdets undersida och fortfarande kan dras runt lätt för hand. Drag fast svärdsmuttrarna med kombinyckeln samtidigt som svärdsspetsen hålls upp. **(19)**

På en ny kedja måste kedjespänningen kontrolleras ofta tills kedjan är inkörd. Kontrollera kedjespänningen regelbundet. Rätt kedja betyder bra skärkapacitet och lång livslängd. **(19)**

Montering av barkstöd

För att montera ett barkstöd – kontakta er serviceverkstad.

Drivmedel

Notera! Maskinen är försedd med en tvåtaktsmotor och måste alltid köras på en blandning av bensen och tvåtaktsolja. För att säkerställa rätt blandningsförhållande är det viktigt att noggrant mäta den oljemängd som skall blandas. Vid tillblandning av små bränslemängder inverkar även små felaktigheter i oljemängden kraftigt på blandningsförhållandet.



WARNING! Sörj för god luftventilation vid bränslehantering.

Bensin

- Använd blyfri eller blyad kvalitetsbensin.
- Rekommenderat lägsta oktantal är 90 (RON). Om man kör motorn på bensin med ett lägre oktantal än 90 kan så kallad spikning uppträda. Detta leder till ökad motortemperatur och ökad lagerbelastning, som kan orsaka svåra motorhaverier.
- Vid arbete med kontinuerligt höga varvtal (t ex kvistning) rekommenderas högre oktantal.

Inkörning

Körning på alltför högt varvtal under längre perioder skall undvikas under de första 10 timmarna.

Tvåtaktsolja

- För bästa resultat och funktion använd JONSERED tvåtakts motorolja, som är speciellt tillverkad för våra luftkylda tvåtaktsmotorer.
- Använd aldrig tvåtaktsolja avsedd för vattenkylda utombordsmotorer, s.k. outboardoil (benämnd TCW).
- Använd aldrig olja avsedd för fyrtaktsmotorer.
- En låg oljekvalitet eller för fet olje/bränsle blandning kan äventyra katalysatorns funktion och minska dess livstid.

Blandningsförhållande

1:50 (2%) med JONSERED tvåtaktsolja.

1:33 (3%) med andra oljor gjorda för luftkylda tvåtaktsmotorer klassade för JASO FB/ISO EGB.

Bensin, liter	Tvåtaktsolja, liter	
	2% (1:50)	3% (1:33)
5	0,10	0,15
10	0,20	0,30
15	0,30	0,45
20	0,40	0,60

Blandning

- Blanda alltid bensen och olja i en ren behållare godkänd för bensen.
- Börja alltid med att fylla i hälften av bensen som skall tillblandas. Fyll därefter i hela oljemängden. Blanda (skaka) bränsleblandningen. Fyll återstående mängd bensen.
- Blanda (skaka) bränsleblandningen omsorgsfullt innan maskinens bränsletank fylls.
- Blanda inte bränsle för mer än max 1 månads behov.
- Om maskinen inte används under en längre tid skall bränsletanken tömmas och rengöras.

Kedjeolja

- Som smörjning rekommenderas en speciell olja (kedjesmörjolja) med god vidhäftningsförmåga.
- Använd aldrig spillolja. Detta medför skador på oljepumpen, svärdet och kedjan.
- Det är viktigt att använda rätt oljetyp i förhållanden till lufttemperaturen (lämplig viskositet).
- Lufttemperaturer under 0°C gör en del oljor trögflytande. Detta kan orsaka överbelastning av oljepumpen med skador på pumpdelar som följd.
- Kontakta din serviceverkstad vid val av kedjesmörjolja.

Tankning



WARNING! Följande försiktighetsåtgärder minskar brandrisken:

Rök inte och placera heller inte något varmt föremål i närheten av bränsle.

Stanna motorn och låt den svalna några minuter före tankning.

Öppna tanklocket sakta vid bränslepåfyllning så att eventuellt övertryck sakta försvinner.

Drag åt tanklocket noga efter tankning.

Flytta alltid maskinen från tankningsplatsen före start.

Torka rent runt tanklocken. Rengör bränsle- och kedjeoljetanken regelbundet. Bränslefiltret skall bytas minst en gång per år. Förorenningar i tankarna orsakar driftstörningar. Se till att bränslet är väl blandat genom att skaka behållaren innan tanken fylls. Volymen av kedjeolje- och bränsletanken är väl avpassade till varandra. Fyll därför alltid kedjeolje- och bränsletanken samtidigt.



WARNING! Bränsle och bränsleångor är mycket brandfarliga. Var försiktig vid hantering av bränsle och kedjeolja. Tänk på brand-, explosions- och inandningsrisiker.

Bränslesäkerhet

- Tanka aldrig maskinen när motorn är i drift.
- Sörj för god ventilation vid tankning och blandning av bränsle (bensin och 2-taktsolja).
- Flytta maskinen minst 3 m från tankningsstället innan du startar.
- Starta aldrig maskinen:
 - 1 Om du spillt bränsle eller kedjeolja på maskinen. Torka av allt spill och låt bensinresterna avdunsta.
 - 2 Om du spillt bränsle på dig själv eller dina kläder, byt kläder. Tvätta de kroppsdelar som varit i kontakt med bränsle. Använd tvål och vatten.
 - 3 Om maskinen läcker bränsle. Kontrollera regelbundet efter läckage från tanklock och bränsleledningar.



WARNING! Använd aldrig en maskin med synliga skador på tändstiftsskydd och tändkabel. Risk för gnistbildning förekommer, vilka kan orsaka brand.

Transport och förvaring

- Förvara motorsågen och bränslet så att eventuellt läckage och ångor inte riskerar att komma i kontakt med gnistor eller öppen låga. Exempelvis elmaskiner, elmotorer, elkontakter/strömbrytare, värmepannor eller liknande.
- Vid förvaring av bränsle skall för ändamålet speciellt avsedda och godkända behållare användas.
- Vid längre tids förvaring och transport av motorsåg skall bränsle- och sågkedjeoljetankarna tömmas. Hör med närmaste bensinstation var du kan göra dig av med bränsle och sågkedjeoljeöverskott.
- Se till att maskinen är väl rengjord och att fullständig service är utförd innan långtidsförvaring.
- Skärutrustningens transportskydd ska alltid vara monterat under transport eller förvaring av maskinen, för att undvika kontakt med den vassa kedjan av misstag. Även en kedja som inte rör sig kan orsaka allvarliga skador på användaren eller andra personer som kommer åt kedjan.
- Säkra maskinen under transport.

Långtidsförvaring

Töm bränsle- och oljetankarna på ett väl ventilerat ställe. Förvara bränslet i godkända dunkar på ett säkert ställe. Montera svärdskyddet. Rengör maskinen. Se anvisningar under rubrik Underhållsschema.

Start och stopp



WARNING! Innan start måste följande observeras:

Kedjebromsen skall vara tillslagen när motorsågen startas, för att minska risken för kontakt med den roterande kedjan vid start.

Starta ej motorsågen utan att svärd, kedja och samtliga kåpor är monterade. Kopplingen kan annars lossna och orsaka personskador.

Placera maskinen på ett fast underlag. Se till att du står stadigt och att kedjan ej kan ta i något föremål.

Se till att inga obehöriga finns inom arbetsområdet.

Kall motor

Start: Kedjebromsen skall vara tillslagen när motorsågen startas. Aktivera bromsen genom att föra kastskyddet framåt. **(20)**

1. Bränslepump: Tryck på bränslepumpens gummiblåsa upprepade gånger tills bränsle börjar fylla blåsan. Blåsan behöver ej fyllas helt. **(23)**

2. Choke: Drag ut det blå choke-/startgasreglaget helt (till läge **FULL CHOKE**). När chokereglaget är fullt utdraget, ställs automatisk ett korrekt startgasläge in. **(21)**

Startgas: Kombinerat choke/startgasläge erhålls när reglaget ställs i chokeläge. **(22)**

Start

Fatta om främre handtaget med vänster hand. Placera höger fot på underdelen av bakre handtaget och tryck motorsågen mot marken.

3. Grip starthandtaget, drag med höger hand långsamt ut startlinan tills ett motstånd känns (starthakarna griper in) och gör därefter snabba och kraftfulla ryck. **Vira aldrig startlinan runt handen. (25)**

OBS! Drag inte ut startlinan helt och släpp inte heller starthandtaget från helt utdraget läge. Detta kan orsaka skador på maskinen.

4. Tryck i chokereglaget till "1/2 choke" omedelbart när motorn tändes vilket hörs genom att en "puff" ljuder. **(21)**

5. Fortsätt att dra med snabba ryck i linan tills motorn startar. **(26)** Låt motorn värma upp i trettio sekunder. Tryck sedan in gasreglaget för att ställa in normal tomgång.

Eftersom kedjebromsen fortfarande är tillslagen måste motorns varvtal så snart som möjligt ner till tomgång, vilket uppnås genom att snabbt trycka till på gasreglaget en gång. Därigenom undviker du onödigt slitage på koppling, kopplingstrumma och bromsband.

Notera! Återställ kedjebromsen genom att föra kastskyddet (markerat "PULL BACK TO RESET") mot handtagsbygeln. (27) Motorsågen är härmed klar för användning.

Varm motor

Använd samma startförfarande som för kall motor men utan att ställa chokereglaget i chokeläge. Startgasläge erhålles genom att dra ut de blå chokereglaget i chokeläge och åter skjuta in det. (24)



WARNING! Långvarig inandning av motorns avgaser, kedjeoljedimma och damm från sågsån kan utgöra en hälsorisk.

- Starta aldrig motorsågen utan att svärd, sågkedja och samtliga kåpor är korrekt monterade. Se anvisningar under rubrik Montering. Utan svärd och kedja monterad på motorsågen, kan kopplingen lossna och orsaka allvarliga skador. (28)
- Kedjebromsen skall vara tillslagen när motorsågen startas. Se anvisningar under rubrik Start och stopp. Droppstarta aldrig motorsågen. Denna metod är mycket farlig eftersom det är lätt att tappa kontrollen över motorsågen. (29)
- Starta aldrig maskinen inomhus. Var medveten om faran med inandning av motorns avgaser.
- Iaktta omgivningen och var säker på att det inte finns risk att människor eller djur kan komma i kontakt med skärutrustningen.
- Håll alltid motorsågen med båda händerna. Håll den högra handen på det bakre handtaget och den vänstra handen på det främre handtaget. **Alla användare, både höger- och vänsterhänta, skall använda detta grepp.** Håll ett stadigt grepp så att tummarna och fingrarna omsluter motorsågens handtag. (30)

Stopp

Motorn stannas genom att stoppknappen trycks nedåt. (31)

Före varje användning: (32)

- 1 Kontrollera att kedjebromsen fungerar ordentligt och är oskadad.
- 2 Kontrollera att bakre högerhandsskyddet inte är skadat.
- 3 Kontrollera att gasreglagespärren fungerar ordentligt och är oskadad.
- 4 Kontrollera att stoppkontakten fungerar ordentligt och är oskadad.
- 5 Kontrollera att samtliga handtag är fria från olja.
- 6 Kontrollera att avvibreringssystemet fungerar och är oskadat.
- 7 Kontrollera att ljuddämparen sitter fast och är oskadad.
- 8 Kontrollera att motorsågens samtliga detaljer är åtdragna och att de inte är skadade eller saknas.
- 9 Kontrollera att kedjefångaren sitter på plats och är oskadad.
- 10 Kontrollera kedjespänningen.

Allmänna arbetsinstruktioner

VIKTIGT!

Detta avsnitt behandlar grundläggande säkerhetsregler för arbete med motorsåg. Given information kan aldrig ersätta den kunskap en yrkesman besitter i form av utbildning och praktisk erfarenhet. När du råkar ut för en situation som gör dig osäker angående fortsatt användning skall du rådfråga en expert. Vänd dig till din motorsågsaffär, din serviceverkstad eller en erfaren motorsågsanvändare. Undvik all användning du anser dig otillräckligt kvalificerad för!

Före användning av motorsågen måste du först vad kast innebär och hur de kan undvikas. Se anvisningar under rubrik Kastförebyggande åtgärder.

Före användning av motorsågen måste du först skillnaden i att såga med svärdets undersida respektive dess översida. Se anvisningar under rubrik Kastförebyggande åtgärder och Maskinens säkerhetsutrustning.

Använd personlig skyddsutrustning. Se anvisningar under rubrik Personlig skyddsutrustning.

Grundläggande säkerhetsregler

- 1 Iaktta omgivningen:
 - För att säkerställa att inte människor, djur eller annat kan påverka din kontroll över maskinen.
 - För att förhindra att de förutnämnda inte riskerar att komma i kontakt med sågkedjan eller träffas av ett fallande träd och skadas.

OBS! Följ ovannämnda punkter men använd aldrig en motorsåg utan möjlighet att kunna påkalla hjälp i händelse av olycka.

- 2 Undvik användning vid ogynnsamma väderleksförhållanden. Exempelvis tät dimma, kraftigt regn, hård vind, stark kyla, osv. Att arbeta i dåligt väder är tröttsamt och kan skapa farliga omständigheter, exempelvis halt underlag, påverkande på trädets fallriktning, m.m.
- 3 Var ytterst försiktig vid avsågning av smågrenar och undvik att säga i buskar (= många smågrenar samtidigt). Smågrenar kan efter avsågning fastna i sågkedjan, slungas mot dig och orsaka allvarlig personskada.
- 4 Se till att du kan gå och stå säkert. Tiitta efter eventuella hinder vid en oväntad förflyttning (rötter, stenar, grenar, propar, diken, osv.). Iaktta stor försiktighet vid arbete i sluttande terräng.
- 5 Var ytterst försiktig vid sågning i träd som är spända. Ett spänt träd kan både före och efter genomsågning sprätta tillbaka till sitt normalläge. Felaktigt placering av dig och sågsnittet kan leda till att trädet träffar dig eller maskinen så att du tappar kontrollen. Båda omständigheterna kan orsaka allvarlig personskada.
- 6 Vid förflyttning skall sågkedjan låsas med kedjebromsen och motorn stängas av. Bär motorsågen med svärd och sågkedja bakåt. Vid längre förflyttningar samt transporter skall svärdsskyddet användas.
- 7 När du ställer ner motorsågen på marken, lås sågkedjan med kedjebromsen och se till att ha

uppsikt över maskinen. Vid längre tids "parkering" skall motorn stängas av.



WARNING! Ibland fastnar spån i kopplingskåpan vilket kan leda till att kedjan kör fast. Stanna alltid motorn vid rengöring.

Grundregler

- Genom att förstå vad kast innebär och hur det uppkommer, kan du reducera eller eliminera överraskningsmomentet. Överraskning ökar olycksrisken. De flesta kast är små, men en del är blytsnabba och mycket våldsamma.
- Håll alltid motorsågen i ett stadigt grepp med höger hand på bakre handtaget och vänster hand på främre handtaget. Tummar och fingrar skall omsluta handtagen. Alla användare oavsett vänster- eller höger-fattade, ska använda detta grepp. Genom detta grepp kan du bäst reducera effekten av ett kast och samtidigt behålla kontrollen över motorsågen.
Släpp inte handtagen!
- De flesta kastolyckor inträffar vid kvistning. Se till att du står stadigt och att inga föremål på marken kan få dig att snubbla eller att tappa balansen. Genom oaktsamhet kan svärdets kastrisksektor oavsiktligt träffa en gren, ett närliggande träd eller ett annat föremål, och framkalla ett kast.
Ha kontroll över arbetsstycket. Om styckena du sågar är små och lätta, kan de fastna i sågkedjan och slungas mot dig. Även om detta i sig inte behöver vara farligt, kan du bli överraskad och tappa kontrollen över sågen. Såga aldrig staplade stockar eller grenar utan att först dra isär dem. Såga endast en stock eller ett stycke åt gången. Ta bort de avsågade styckena för att hålla ditt arbetsområde säkert.
- Använd aldrig motorsågen över skulderhöjd och undvik att såga med svärdspetsen. Använd aldrig motorsågen med enhandsfattning! (33)**
- För att ha full kontroll över din motorsåg krävs att du står stabil. Arbeta aldrig stående på en stegen, uppe i ett träd eller där du inte har ett stabilt underlag att stå på. **(34)**
- Såga med hög kedjehastighet, dvs. med fullgas.
- Var ytterst försiktig när du sågar med svärdets översida, dvs. när du sågar från sågobjektets undersida. Detta kallas att såga med skjutande sågkedja. Sågkedjan skjuter då motorsågen bakåt mot användaren. Om sågkedjan kläms fast kan motorsågen kastas bakåt mot dig.
- Om inte användaren håller emot motorsågens stråvan, finns det en risk att motorsågen skjuts så långt bakåt att svärdets kastrisksektor är den enda kontakten med trädet, vilket leder till ett kast. **(35)**
Att såga med svärdets undersida, dvs. att såga från sågobjektets ovasida och ner, kallas att såga med dragande sågkedja. Då dras motorsågen mot trädet och motorsåggroppens framkant blir ett naturligt stöd mot stammen. Sågning med dragande sågkedja ger användaren bättre kontroll över motorsågen samt över var svärdets kastrisksektor befinner sig.
- Följ filnings- och underhållsinstruktioner för svärd och sågkedja. Vid byte av svärd och sågkedja får endast av oss rekommenderade kombinationer

användas. Se anvisningar under rubrikerna Skärutrustning och Tekniska data.

Grundläggande sågningsteknik



WARNING! Använd aldrig en motorsåg genom att hålla den med ena handen. En motorsåg är inte säker kontrollerad med en hand. Ha alltid ett fast, stadigt grepp om handtagen med båda händerna.

Allmänt

- Ha alltid fullgas vid all sågning!
- Släpp ner motorn på tomgångsvarvtal efter varje sågsnitt (längre tids fullvarv utan att motorn belastas, dvs. utan motståndet som motorn upplever via sågkedjan vid sågning, ger allvarlig motorskada).
- Att såga ovanifrån = Att såga med "dragande" sågkedja.
- Att såga underifrån = Att såga med "skjutande" sågkedja.

Sågning med "skjutande" sågkedja innebär ökad kastrisk. Se anvisningar under rubrik Kastförebyggande åtgärder.

Benämningar

Kapning = Generell benämning för genomsågning av trä.
Kvistning = Kapa av grenar från ett fällt träd.
Spjälkning = När det objekt som du skall kapa bryts av innan sågsnittet är fullbordat.

Inför varje kapning finns det fem mycket viktiga faktorer att ta hänsyn till:

- Skärutrustningen får inte klämmas fast i sågsnittet.
- Sågningens objekt får inte spjälkas.
- Sågkedjan får inte träffa marken eller annat föremål under och efter genomsågningen.
- Föreligger kastrisk?
- Kan terrängen och omgivnings utseende påverka hur stabil och säkert du kan gå och stå?

Att sågkedjan kläms fast eller att sågobjektet spjälkas orsakas av två faktorer: Vilket stöd sågobjektet har före och efter kapning samt om sågobjektet befinner sig i spänning. Förutnämnda oönskade företeelser kan i de flesta fall undvikas genom att utföra kapningen i två steg, både från över- resp. undersidan. Det gäller att neutralisera sågobjektets "vilja" att klämma fast sågkedjan eller att spjälkas.

VIKTIGT! Om sågkedjan klämts fast i sågsnittet: stanna motorn! Försök inte rycka loss motorsågen. Om du gör det kan du skada dig på sågkedjan när motorsågen plötsligt lossnar. Använd en hävarm för att få loss motorsågen.

Den listning som nu följer är en teoretisk genomgång av hur de vanligaste situationerna en motorsågsanvändare kan råka ut för skall hanteras.

Kvistning

Vid kvistning av tjockare grenar skall samma principer som för kapning tillämpas.

Kapa besvärliga grenar bit för bit.

Kapning



WARNING! Försök aldrig säga stockar när de är travade eller när ett par stockar ligger tätt ihop. Sådana tillvägagångssätt ökar drastiskt risken för kast som kan resultera i en allvarlig eller livshotande skada.

Om du har en trave stockar, skall varje stock som du tänker kapa tas bort från traven, placeras på en sågbock eller löpare och kapas för sig.

Ta bort de kapade styckena från arbetsområdet. Genom att lämna dem i arbetsområdet, ökar du både risken för att en misstag få ett kast, och risken för att tappa balansen när du arbetar.

Stocken ligger på marken. Ingen risk för fastklämning av sågkedjan eller spjälkning av sågobjektet föreligger. Risken är dock stor att sågkedjan träffar marken efter genomsågning.

Såga ovanifrån genom hela stocken. Var försiktig under slutet av sågsnittet för att undvika att sågkedjan träffar marken. Behåll fullgas men var beredd på vad som kommer att hända. **(36)**

Om möjlighet finns (= kan stocken roteras?) bör sågsnittet avslutas 2/3 in i stocken.

Rotera stocken så att resterande 1/3 kan avslutas ovanifrån.

Stocken har stöd i ena änden. Stor risk för spjälkning.

Börja med att säga underifrån (ca 1/3 av stockdiametern).

Avsluta ovanifrån så att sågskären möts.

Stocken har stöd i båda ändar. Stor risk för fastklämning av sågkedjan.

Börja med att säga ovanifrån (ca 1/3 av stockdiametern).

Avsluta underifrån så att sågskären möts.

Trädfällningsteknik

VIKTIGT! Det krävs mycket erfarenhet för att fälla ett träd. En oerfaren motorsågsanvändare skall inte fälla träd. Undvik all användning du anser dig otillräckligt kvalificerad för!

Säkerhetsavstånd

Säkerhetsavståndet mellan trädet som skall fällas och närmsta arbetsplats skall vara 2 1/2 trädlängder. Se till att ingen befinner sig inom denna "riskzon" före och under fällning. **(37)**

Fällriktning

Målsättningen vid trädfällning är att placera trädet på ett sådant sätt att efterföljande kvistning samt uppkapning av stock kan utföras i så "enkel" terräng som möjligt. Man skall kunna gå och stå säkert.

Efter att ha fattat beslut angående i vilken riktning du vill att trädet skall falla måste du göra en bedömning angående trädets naturliga fallriktning.

De faktorer som styr detta är:

- Lutning
- Krokighet
- Vindriktning

- Koncentration av grenar
- Eventuell snötyngd
- Hinder inom trädets räckvidd: t.ex. andra träd, kraftledningar, vägar och byggnader.
- Titta efter skador och röta i stammen, vilket gör det mer troligt att trädet går av och börjar falla innan du förväntar dig detta.

Efter denna bedömning kan man vara tvungen att låta trädet falla i sin naturliga fallriktning eftersom det är omöjligt eller för riskfyllt att försöka placera det i den riktning man planerat från början.

En annan mycket viktig faktor, som inte påverkar fallriktningen, men din personliga säkerhet, är att kontrollera så att trädet inte har några skadade eller "döda" grenar som kan brytas av och skada dig under fällningsarbetet.

Det som främst skall undvikas är att det fallande trädet fastnar i ett annat. Att ta ner ett fastfällt träd är mycket farligt och innebär en mycket stor olycksrisk. Se anvisningar under rubrik Hantering av ett misslyckat fällningsresultat.

VIKTIGT! Vid kritiska fällningsmoment bör hörselskydden vara uppfällda så snart sågningen upphört, så att ljud och varningssignaler kan uppmärksammas.

Underkvistning och reträttväg

Kvista av stammen upp till axelhöjd. Det är säkrast att arbeta upptrif och ned och att ha stammen mellan dig och motorsågen.

Rensa upp undervegetationen runt trädet och ge akt på eventuella hinder (stenar, grenar, gropar, osv.) så att du har en lättframkomlig reträttväg när trädet börjar falla. Reträttvägen bör ligga ca 135° snett bakåt från trädets planerade fallriktning. **(38)**

- 1 Riskzon
- 2 Reträttväg
- 3 Fällriktning

Fällning



WARNING! Vi avråder otillräckligt kvalificerade användare från att fälla ett träd med en svärslängd som är mindre än stamdiametern!

Fällningen utförs med tre sågsnitt. Först görs riktskåret, som består av ett överskär och ett underskär, och sedan avslutas fällningen med fällskåret. Genom korrekt placering av dessa sågskär kan man styra fallriktningen mycket exakt.

Riktskär

Vid utsågning av riktskåret börjar man med överskåret. Stå på överskär sida om trädet och säga med dragande sågkedja.

Såga sedan underskåret så att det avslutas exakt där överskåret avslutats. **(39)**

Riktskärsdjuret skall vara 1/4 av stamdiametern och vinkeln mellan över- och underskär minst 45°.

De båda skärens möte kallas riktskärslinje. Riktskärslinjen skall ligga exakt horisontalt och samtidigt bilda en rät vinkel (90°) mot vald fallriktning. (40)

Fällskär

Fällskäret sågas från andra sidan av trädet och måste ligga absolut horisontalt. Stå på vänster sida om trädet och såga med dragande sågkedja.

Placera fällskäret ca 3-5 cm (1,5-2 tum) över riktskärets horisontalplan.

Sätt i barkstödet (om något är påmonterat) bakom brytmånen. Såga med fullgas och för sågkedjan/svärdet sakta in i trädet. Var observant på om trädet rör sig i motsatt riktning till vald fallriktning. Sätt in en fällkil eller ett brytjärn i fällskäret så snart skärdjupet tillåter. (41)

Fällskäret skall avslutas parallellt med riktskärslinjen så att avståndet mellan de båda är minst 1/10 av stamdiametern. Den icke genomsågade delen av stammen kallas brytmån.

Brytmånen fungerar som ett gångjärn som styr riktningen av det fallande trädet. (42)

All kontroll över trädets fallriktning förloras om brytmånen är för liten eller genomsågad eller om riktskär och fällskär är felplacerade.

När fällskäret och riktskäret är fullbordade skall trädet börja falla av sig själv eller med hjälp av fällkilen eller brytjärnet.

Vi rekommenderar användande av en svärds längd som överstiger trädets stamdiameter, så att fäll- och riktskär kan utföras med ett s.k. "enkelt sågsnitt". Se anvisningar under rubrik Tekniska data angående vilka svärds längder som rekommenderas för din motorsågsmodell.

Det finns metoder för fällning av träd med stamdiametrar större än svärds längden. Dessa metoder medför en mycket stor risk att svärdets kastrisksektor kommer i kontakt med ett föremål.

Hantering av ett misslyckat fällningsresultat

Nedtagning av ett "fastfällt träd"

Att ta ner ett fastfällt träd är mycket farligt och innebär en mycket stor olycksrisk.

Försök aldrig att såga ner det påfällda trädet.

Arbeta aldrig inom riskområdet för hängande fastfällda träd.

Den säkraste metoden är att använda en vinsch.

- Traktormonterad
- Bärbär

Sågning i träd och grenar som befinner sig i spänning

Förberedelser: Bedöm i vilken riktning spänningen strävar samt var den har sin brytpunkt (dvs. det ställe där den skulle brytas av om den spändes ytterligare).

Avgör hur du säkrast frigör spänningen och om du klarar av att göra det. Vid extra komplicerade situationer är den enda säkra metoden att avstå från motorsågsanvändning och använda en vinsch.

Generellt gäller:

Placera dig så att du inte riskerar att träffas av trädet/grenen när spänningen frigörs.

Gör ett eller flera sågsnitt på eller i närheten av brytpunkten. Såga så djupt in i och med så många sågsnitt som krävs för att spänningen i trädet/grenen skall frigöras så lagom att trädet/grenen "bryts" av vid brytpunkten.

Såga aldrig helt genom ett objekt som befinner sig i spänning!

Om du måste såga igenom trädet/kvisten, gör två eller tre skär med 3 cm mellanrum och 3-5 cm djup.

Fortsätt att såga djupare tills trädets/kvistens bändning och spänning frigörs.

Såga trädet/kvisten från den motsatta sidan, efter att spänningen har frigjorts.

Kastförebryggande åtgärder



WARNING! Kast kan vara blixtsnabb, plötsliga och våldsamma och kan kasta motorsåg, svärd och sågkedja mot användaren. Är sågkedjan i rörelse när och om den träffar användaren kan mycket allvarlig, till och med livshotande skada uppstå. Det är nödvändigt att förstå vad som orsakar kast och att de kan undvikas genom försiktighet och rätt arbetsteknik.

Vad är kast?

Kast är benämningen på en plötslig reaktion där motorsåg och svärd kastas från ett föremål som kommit i kontakt med svärdsspetsens övre kvadrant, den s.k. kastrisksektorn. (43)

Kast färdas alltid i svärdspanets riktning. Vanligast är att motorsåg och svärd kastas uppåt och bakåt mot användaren. Dock förekommer andra kastriktningar beroende på vilket läge motorsågen har i det ögonblick svärdets kastrisksektor kommer i kontakt med ett föremål.

Kast kan endast inträffa när svärdets kastrisksektor kommer i kontakt med ett föremål. (44)

Kvistning



WARNING! De flesta kastolyckor inträffar vid kvistning. Använd inte svärdets kastrisksektor. Var ytterst försiktig och undvik att svärdsspetsen kommer i kontakt med stocken, andra grenar eller föremål. Var ytterst försiktig med grenar som befinner sig i spänning. De kan fjädra tillbaka mot dig och orsaka att du tappar kontrollen, vilket kan resultera i skador.

Se till att du kan gå och stå säkert! Arbeta från den vänstra sidan av stammen. Arbeta så nära motorsågen som möjligt för bästa kontroll. När så tillåtes skall du låta sågens tyngd vila på stammen.

Förflytta dig endast då du har stammen mellan dig och motorsågen.

Uppkapning av stammen till stock

Se anvisningar under rubrik Grundläggande sågningsteknik.

Allmänt

Användaren får endast utföra sådana underhålls- och servicearbeten som beskrivs i denna bruksanvisning. Mer omfattande ingrepp skall utföras av en auktoriserad serviceverkstad.

Förgasarjustering

Din Jonsered-produkt har konstruerats och tillverkats enligt specifikationer som reducerar de skadliga avgaserna.

Funktion

- Via gasreglaget styr förgasaren motorns varvtal. I förgasaren blandas luft/bränsle. Denna luft/bränsleblandning är justerbar. För att utnyttja maskinens maximala effekt måste justeringen vara korrekt.
- T-skraven reglerar gasreglets läge vid tomgång. Skruvas T-skraven medurs fås högre tomgångsvarvtal och skruvas den moturs fås lägre tomgångsvarvtal.

Grundinställning och inkörning

Vid provkörning på fabrik grundinställs förgasaren. Finjustering skall utföras av utbildad kunnig person.

Rek. tomgångsvarvtal: Se kapitel Tekniska data.

Finjustering av tomgång T

Inställning av tomgång göres med skruven märkt T. Är justering nödvändig skruva in (medurs) tomgångsskruv T med motorn igång tills kedjan börjar rotera. Öppna (moturs) därefter tills kedjan står stilla. Korrekt inställt tomgångsvarvtal är när motorn arbetar jämnt i alla positioner med god marginal till det varvtal där kedjan börjar rotera.



WARNING! Kan tomgångsvarvtalet ej justeras så att kedjan står stilla, kontakta serviceverkstad. Använd inte motorsågen förrän den är korrekt inställd eller reparerad.

Kontroll, underhåll och service av motorsågens säkerhetsutrustning

Notera! All service och reparation av maskinen kräver specialutbildning. Detta gäller särskilt maskinens säkerhetsutrustning. Om maskinen inte klarar någon av nedan listade kontroller rekommenderar vi dig att uppsöka din serviceverkstad. Allt underhåll utöver vad som nämnts i denna bok ska åtgärdas av servande fackhandel (återförsäljare).

Stäng av motorn och ta av tändkabeln före reparation eller underhåll

Kedjebroms med kastskydd

Kontroll av bromsbandsslitage

Rengör kedjebroms och kopplingstrumma från spån, kåda och smuts. Nedsmutsning och slitage påverkar bromsfunktionen. **(45)**

Kontrollera regelbundet att minst 0,6 mm av bromsbandets tjocklek återstår på det mest slitna stället.

Kontroll av kastskydd

Kontrollera att kastskyddet är helt och utan synbara defekter, t ex materialsprickor.

För kastskyddet fram och åter för att kontrollera att det går lätt samt att det är stabilt förankrat vid dess led i kopplingskåpan. **(46)**

Kontroll av tröghetsfunktionen

Håll motorsågen, med motorn avstängd, över en stubbe eller över ett annat stabilt föremål. Släpp främre handtaget och låt motorsågen falla av egen tyngd, roterande runt bakre handtaget, mot stubben.

Då svärdsspetsen träffar stubben ska bromsen lösa ut. (47)

Kontroll av bromsverkan

Placera motorsågen på ett stabilt underlag och starta den. Se till att sågkedjan ej kan komma i kontakt med marken eller annat föremål. Se anvisningar under rubrik Start och stopp.

Håll motorsågen i ett stadigt grepp med tummar och fingrar slutna om handtagen.

Ge fullgas och aktivera kedjebromsen genom att vrida vänster handled mot kastskyddet. Släpp inte främre handtaget. **Kedjan ska omedelbart stoppas.**

Gasreglagespär

- Kontrollera att gasreglaget är låst i tomgångsläge när gasreglagespärren är i sitt ursprungsläge.
- Tryck in gasreglagespärren och kontrollera att den återgår till sitt ursprungsläge när den släpps.
- Kontrollera att gasreglaget och gasreglagespärren går lätt samt att deras retur fjädersystem fungerar.
- Starta motorsågen och ge fullgas. Släpp gasreglaget och kontrollera att kedjan stannar och att den förblir stillastående. Om kedjan roterar med gasreglaget i tomgångsläge skall förgasarens tomgångsjustering kontrolleras.

Kedjefångare

Kontrollera att kedjefångaren är hel och att den sitter fast i motorsågkroppen.

Högerhandsskydd

Kontrollera att högerhandsskyddet är helt och utan synbara defekter, t ex materialsprickor.

Avvibreringssystem

Kontrollera regelbundet avvibreringselementen efter materialsprickor och deformationer.

Kontrollera att avvibreringselementen är fast förankrade mellan motorenhet respektive handtagsenhet.

Stoppkontakt

Starta motorn och kontrollera att motorn stängs av när stoppkontakten förs till stoppläget.

Ljuddämpare

Använd aldrig en maskin som har en defekt ljuddämpare. Kontrollera regelbundet att ljuddämparen sitter fast på motorn.

Notera: Gnistfångarnätet (A) på denna maskin är utbytbart. **(48)** Vid eventuella skador på nätet skall detta bytas. Med ett igensatt nät överhettas maskinen med skador på cylinder och kolv som följd. Använd aldrig maskinen med en ljuddämpare som är i dåligt skick.

Använd aldrig en ljuddämpare utan eller med defekt gnistfångarnät.

För den normale hemanvändaren, behöver inte ljuddämparen och gnistfångarnätet bytas.

Lufffilter

Lufffiltret skall regelbundet rengöras från damm och smuts för att undvika:

- Förgasorstörningar
- Startproblem
- Sämre effekt
- Onödigt slitage på motorns delar.
- Onormalt hög bränsleförbrukning.
- Lufffiltret (3) demonteras efter att cylinderkåpan, skruven (1) och lufffilterkåpan (2) tagits bort. Vid montering, se till att lufffiltret sluter helt tätt mot filterhållaren. Skaka eller borsta rent filtret. **(49)**

En mer genomgående rengöring erhålls genom att tvätta lufffiltret i tvålvatten.

Ett länge använt lufffilter kan aldrig bli fullständigt rent. Därför måste filtret med jämna mellanrum ersättas med ett nytt. **Ett skadat lufffilter måste alltid bytas ut.**

Tändstift

Tändstiftets kondition påverkas av:

- En felaktigt inställd förgasare.
- En felaktig oljeblandning i bränslet (för mycket eller felaktig olja).
- Ett smutsigt lufffilter.

Dessa faktorer orsakar beläggningar på tändstiftets elektroder och kan försäkra driftstörningar och startsvårigheter.

Om maskinens effekt är låg, om den är svår att starta eller om tomgången är orolig: kontrollera alltid först tändstiftet innan ytterligare åtgärder vidtages. Om tändstiftet är igensatt, rengör det och kontrollera samtidigt att elektrodgapet är 0,5 mm. Tändstiftet bör bytas efter ungefär en månad i drift eller om nödvändigt tidigare. **(50)**

Notera! Använd alltid rekommenderad tändstiftstyp! Felaktigt tändstift kan förstöra kolv/cylinder. Se till att tändstiftet har s.k. radioavstörning.

UNDERHÅLL

Underhållsschema

Nedan följer en lista över den skötsel som skall utföras på maskinen. De flesta av punkterna finns beskrivna i avsnittet Underhåll.

Daglig tillsyn (Varje 5-10 h)	Veckotillsyn (Varje 10-25 h)	Månadstillsyn (Varje 25-40 h)
Rengör maskinen utvändigt.	Kontrollera startapparaten, dess lina och retur fjäder.	Kontrollera bromsbandet på kedjebromsen med avseende på slitage. Byt när mindre än 0,6 mm återstår på det mest slitna stället.
Kontrollera att gasreglaget ingående delar fungerar säkerhetsmässigt. (Gasreglagespår och gasreglage.)	Kontrollera att vibrations-isolatorerna inte är skadade.	Kontrollera kopplingscentrumet, kopplingstrumman och kopplingsfjädern med avseende på slitage.
Rengör kedjebromsen och kontrollera dess funktion ur säkerhetssynpunkt. Kontrollera att kedjefångaren är oskadad, byt om erforderligt.	Fila bort eventuella grader på svärdets sidor.	Rengör tändstiftet. Kontrollera att elektrodavståndet är 0,5 mm.
Svärdet skall dagligen vändas för jämnare slitage. Kontrollera att hålet för smörjningen i svärdet inte är igensatt. Rengör kedjespåret. Är svärdet försedd med nostrissa smörjes denna.	Rengör förgasarutrymmet.	Rengör förgasaren utvändigt.
Kontrollera att svärd och kedja får tillräckligt med olja.	Rengör luftfiltret. Byt om det behövs.	Kontrollera bränslefiltret och bränsleslangen. Byt om det behövs.
Kontrollera sågkedjan med avseende på synliga sprickor i nitar och länkar, om sågkedjan är stel eller om nitar och länkar är onormalt slitna. Byt om det behövs.		Töm bränsletanken och rengör den invändigt.
Skärp kedjan och kontrollera dess spänning och kondition. Kontrollera att kedjedrivhjulet inte är onormalt slitet, byt om erforderligt.		Töm oljetanken och rengör den invändigt.
Rengör startapparatsens luftintag.		Kontrollera alla kablar och anslutningar.
Kontrollera att skruvar och muttrar är åtdragna.		
Kontrollera att stoppkontakten fungerar.		
Kontrollera att inget bränsleläckage finns från motor, tank eller bränsleledningar.		

Tekniska data

	CS 2234	CS 2238
Motor		
Cylindervolym, cm ³	38	38
Slaglängd, mm	32	32
Tomgångsvarvtal, r/min	3000	3000
Effekt, kW	1,4/9000	1,5/9000
Tändsystem		
Tändstift	Champion RCJ 7Y	Champion RCJ 7Y
Elektroddgap, mm	0,5	0,5
Bränsle-/smörjsystem		
Volym bensintank, liter	0,3	0,3
Kapacitet oljepump vid 8500 r/min, ml/min	7	7
Volym oljetank, liter	0,19	0,19
Typ av oljepump	Automatisk	Automatisk
Vikt		
Motorsåg utan svärd, kedja samt med tomma tankar, kg	4,7	4,7
Bulleremissioner (se anm. 1)		
Ljudeffektnivå, uppmätt dB(A)	115	115
Ljudeffektnivå, garanterad L _{WA} dB(A)	118	118
Ljudnivåer (se anm. 2)		
Ekvivalent ljudtrycksnivå vid användarens öra, dB(A)	100,6	100,6
Ekvivalenta vibrationsnivåer, a_{hveq} (se anm. 3)		
Främre handtag, m/s ²	3,7	3,7
Bakre handtag, m/s ²	5,1	5,1
Kedja/svärd		
Standard svärdslängd, tum/cm	14/35, 16/40	14/35, 16/40
Rekommenderade svärdslängder, tum/cm	14/35, 16/40	14/35, 16/40
Effektiv skärlängd, tum/cm	13,5/34, 15,5/39	13,5/34, 15,5/39
Delning, tum/mm	3/8 / 9,52	3/8 / 9,52
Tjocklek på drivlänk, tum/mm	0,050/1,3	0,050/1,3
Typ av drivhjul/antal tänder	6	6
Kedjehastighet vid max-effekt, m/sek	17,1	17,1

Anm. 1: Emission av buller till omgivningen uppmätt som ljudeffekt (L_{WA}) enligt EG-direktiv 2000/14/EG.




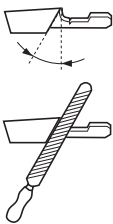

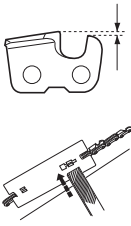
Anm. 2: Ekvivalent ljudtrycksnivå, enligt ISO 22868, beräknas som den tidsviktade energisumman för ljudtrycksnivåerna vid olika driftstillstånd. Typiskt spridningsmått för ekvivalent ljudtrycksnivå är en standardavvikelse på 1 dB (A).

Anm. 3: Ekvivalent vibrationsnivå, enligt ISO 22867, beräknas som den tidsviktade energisumman för vibrationsnivåerna vid olika driftstillstånd. Redovisade data för ekvivalent vibrationsnivå har ett typiskt spridningsmått (standardavvikelse) på 1 m/s².

Svärd och kedjekombinationer

Nedanstående skärutrustningar är typgodkända för modellerna Jonsered CS2234 och CS2238.

Svärd				Sågkedja	
Längd, tum	Delning, tum	Spårbredd, mm	Max antal tänder, noshjul	Typ	Längd, drivlänkar (st)
14	3/8	1,3	7T	Jonsered H37	52
16	3/8		7T		56
18	3/8		7T		62

					
	inch/mm				inch/mm
H37	5/32/4,0	80°	30°	0°	0.025/0,65

EG-försäkran om överensstämmelse

(Göller endast Europa)

Husqvarna AB, SE-561 82 Huskvarna, Sverige, tel: +46-36-146500, försäkrar härmed att motorsågarna **Jonsered CS 2234 och CS 2238** från 2009 års serienummer och framåt (året anges i klartext på typskylten plus ett efterföljande serienummer) motsvarar föreskrifterna i RÅDETS DIREKTIV:

- av den 17 maj 2006 "angående maskiner" **2006/42/EG**.
- av den 15 december 2004 "angående elektromagnetisk kompatibilitet" **2004/108/EG**.
- av den 8 maj 2000 "angående emission av buller till omgivningen" **2000/14/EG**.

För information angående bulleremissionerna, se kapitel Tekniska data. Följande standarder har tillämpats:

EN ISO 12100-2:2003, CISPR 12:2001, EN ISO 11681-1:2004

Anmält organ: **0404, SMP Svensk Maskinprovning AB**, Fyrisborgsgatan 3, SE-754 50 Uppsala, Sverige, har utfört EG-typkontroll enligt maskindirektivets (2006/42/EG) artikel 12, punkt 3b. Intyget om EG-typkontroll enligt bilaga IX, har nummer: **0404/09/2048**.

Vidare har SMP, Svensk Maskinprovning AB, Fyrisborgsgatan 3, SE-754 50 Uppsala, Sverige, intygat överensstämmelse med bilaga V till rådets direktiv av den 8 maj 2000 "angående emission av buller till omgivningen" 2000/14/EG. Certifikaten har nummer: **26/161/003 - CS 2234, 26/161/004 - CS 2238**.

Den levererade motorsågen överensstämmer med det exemplar som genomgick EG-typkontroll.

Huskvarna, 29 december 2009



Ronnie E. Goldman, Teknisk chef. (Bemyndigad representant för Husqvarna AB samt ansvarig för tekniskt underlag).

Hyvä asiakas!

Onnittelemme Jonsered-tuotteen valinnan johdosta!

Olemme vakuuttuneita, että tulette tyytyväisenä arvostamaan tuotteemme laatua ja suorituskykyä vielä pitkälle tulevaisuudessa. Ostaessasi jonkin tuotteistamme saat ammattitaitoista korjaus- ja huoltoapua, jos jotakin kaikesta huolimatta tapahtuu. Jos ostat koneen muualta kuin valtuutetulta jälleenmyyjältämme, pyydä myyjää neuvomaan lähin huoltoliike.

Toivomme, että olet tyytyväinen koneeseesi, ja että se saa olla seuralaisenasi pitkän aikaa eteenpäin. Muista, että tämä käyttöohje on arvokas asiakirja. Noudattamalla sen käyttö-, huolto- ja kunnossapito- ja muita ohjeita voit huomattavasti pidentää koneen elinikää ja lisätä myös sen jälleenmyyntiarvoa. Jos myyt koneesi, muista luovuttaa käyttöohje uudelle omistajalle.

Onnea Jonsered-tuotteesi käyttöön!

Jonsered kehittää jatkuvasti tuotteitaan ja pidättää siksi itselleen oikeuden mm. muotoa ja ulkonäköä koskeviin muutoksiin ilman ennakoilmoitusta.

Koneessa esiintyvät tunnukset:

VAROITUS! Moottorisahat saattavat olla vaarallisia! Huolimaton tai virheellinen käyttö saattaa aiheuttaa käyttäjälle tai sivullisille vakavia vammoja tai kuoleman.

Lue käyttöohje huolellisesti ja ymmärrä sen sisältö, ennen kuin alat käyttää konetta.



Käytä aina:

- Hyväksyttyä suojakypärää
- Hyväksytyjä kuulonsuojaimia
- Suojalasit tai visiri



Tämä tuote täyttää voimassa olevan CE-direktiivin vaatimukset.



Melupäästöt ympäristöön Euroopan yhteisön direktiivin mukaisesti. Koneen päästöt ilmoitetaan luvussa Tekniset tiedot ja arvokilvessä.



Käyttäjän on käytettävä moottorisahaa molemmiin käsiin.



Älä koskaan käytä moottorisahaa pitämällä sitä vain yhdellä kädellä.



Vältä terälevyn kärjen osumista mihinkään esineeseen.



VAROITUS! Terälevyn kärjen osuminen esineeseen voi synnyttää takapotkun ja aiheuttaa terälevyn sinkoutumisen ylöspäin ja kohti käyttäjää. Se voi aiheuttaa vakavia henkilövahinkoja.



Ketjujarru, aktiivinen (vasemmalla) Ketjujarru, ei aktiivinen (oikealla)



Muita koneen tunnuksia/tarroja tarvitaan tietyillä markkina-alueilla ilmaisemaan erityisiä sertifiointivaatimuksia.

Moottorisahan osat (1)

1	Huomio- ja varoitustarra
2	Sylinterikotelo
3	Polttoainepumppu
4	Käynnistyskahva
5	Rikastin/Puolikaasun lukitsin
6	Pysäytin (Sytytyksen päälle- ja päältäkytkentä.)
7	Takakahva
8	Polttoainesäiliö
9	Kaasuttimen säätöruuvit
10	Käynnistin
11	Ketjuöljysäiliö
12	Tuote- ja sarjanumerokilpi
13	Kaasuliipasimen varmistin (Estää tahattoman kaasutuksen.)
14	Etukahva
15	Takapotkusuojus
16	Äänenvaimennin
17	Terälevy
18	Kärkipyörä
19	Teräketju
20	Kuorituki
21	Ketjusieppo
22	Teräketjun kireydensäätöruuvi
23	Kytinkotelo
24	Takakahva oikean käden suojuksella
25	Kaasuliipasin
26	Käyttöohje
27	Yhdistelmäavain
28	Teräsuojus

Sisältö

JOHDANTO

Hyvä asiakas!	65
Koneessa esiintyvät tunnuksset:	65
Moottorisahan osat	66

SISÄLTÖ

Sisältö	66
---------------	----

YLEISET TURVAOHJEET

Toimenpiteet ennen uuden moottorisahan käyttöä	67
Tärkeää	67
Käytä aina tervettä järkeä	67
Henkilökohtainen suojavarustus	68
Koneen turvalaitteet	68
Terälaite	69

ASENNUS

Terälevyn ja ketjun asennus	73
-----------------------------------	----

POLTTOAINEEN KÄSITTELY

Polttoaine	73
Tankkaus	74
Polttoaineturvallisuus	74

KÄYNNISTYS JA PYSÄYTYS

Käynnistys ja pysäytys	75
------------------------------	----

PERUSTEKNIikka

Aina ennen käyttöä:	76
Yleiset työhjeet	76
Takapotkua ehkäisevät toimenpiteet	79

KUNNOSSAPITO

Yleistä	80
Kaasuttimen säätö	80
Moottorisahan turvalaitteiden tarkastus, kunnossapito ja huolto	80
Äänenvaimennin	81
Ilmansuodatin	81
Sytytystulppa	81
Huoltokaavio	82

TEKNISET TIEDOT

Tekniset tiedot	83
Terälevy- ja ketjuyhdistelmät	84
EY-vaatimustenmukaisuusvakuutus	84

Toimenpiteet ennen uuden moottorisahan käyttöä

- Lue käyttöohje huolellisesti.
- **(1) - (50)** viittaa kuviin sivulla 2-5.
- Tarkasta terälaitteen asennus ja säätö. Katso otsikon Asennus alla annetut ohjeet.
- Lisää polttoainetta ja käynnistä moottorisaha. Katso otsikoiden Polttoaineen käsittely, Käynnistys ja Pysäytys alla annetut ohjeet.
- Älä käytä moottorisahaa, ennen kuin teräketjuun on päässyt riittävästi ketjuöljyä. Katso otsikon Terälaitteen voitelu alla annetut ohjeet.
- Pitkäaikainen altistuminen melulle saattaa aiheuttaa pysyviä kuulovammoja. Käytä siksi aina hyväksytyjä kuulonsuojaimia.



VAROITUS! Koneen alkuperäistä rakennetta ei missään tapauksessa saa muuttaa ilman valmistajan lupaa. Käytä aina alkuperäisiä varaosia. Hyväksymättömien muutosten ja/tai lisävarusteiden käyttö voi aiheuttaa käyttäjälle tai muille vakavia vahinkoja tai kuoleman.



VAROITUS! Moottorisaha voi huolimattomasti tai virheellisesti käytettynä olla vaarallinen työväline, joka voi aiheuttaa vakavan tai jopa hengenvaarallisen tapaturman. On erittäin tärkeää, että luet ja ymmärrät tämän käyttöohjeen sisällön.



VAROITUS! Äänenvaimennin sisältää kemikaaleja, jotka saattavat olla karsinogeenisiä. Vältä kosketusta näihin osiin, mikäli käsittelet vaurioitunutta äänenvaimenninta.



VAROITUS! Moottorin pakokaasujen, ketjuöljysumun ja sahanpurupölyn pitkäaikainen sisäänhengittäminen voi olla terveydelle vaarallista.



VAROITUS! Kone muodostaa käytön aikana sähkömagneettisen kentän. Kenttä saattaa joissakin tapauksissa häiritä aktiivisten tai passiivisten lääketieteellisten implanttien toimintaa. Vakavien tai kohtalokkaiden onnettomuuksien ehkäisemiseksi kehotamme lääketieteellisiä implantteja käyttäviä henkilöitä neuvottelemaan lääkärin ja lääketieteellisen implantin valmistajan kanssa ennen koneen käyttämistä.

Tärkeää

TÄRKEÄÄ!

Kone on tarkoitettu ainoastaan puun sahaukseen. Sahassa tulee käyttää ainoastaan kappaleessa Tekniset tiedot suositeltuja terälevy/teräketjuyhdistelmiä.

Älä koskaan käytä konetta, jos olet väsynyt tai nauttinut alkoholia, tai käytät lääkkeitä, jotka voivat vaikuttaa näkökykyysi, harkintakykyysi tai kehosi hallintaan.

Käytä henkilökohtaisia suojavarusteita. Katso otsikon Henkilökohtainen suojavarustus alla annetut ohjeet.

Älä tee tähän koneeseen koskaan sellaisia muutoksia, jotka muuttavat sen alkuperäistä rakennetta, äläkä käytä sitä, mikäli epäilet jonkun muun muuttaneen konetta.

Älä koskaan käytä viallista konetta. Noudata tässä käyttöohjeessa annettuja kunnossapito-, tarkastus- ja huolto-ohjeita. Tetyt kunnossapito- ja huoltotyöt on annettava koulutettujen ja pätevien asiantuntijoiden tehtäviksi. Katso otsikon Kunnossapito alla annetut ohjeet.

Älä koskaan käytä muita kuin tässä käyttöohjeessa suositeltuja lisävarusteita. Katso otsikoiden Terälaite ja Tekniset tiedot alla annetut ohjeet.

HUOM! Käytä aina suojalaseja tai kasvovisiiriä, jotta sinkoavien kappaleiden aiheuttamia vahinkoriski olisi pienempi. Moottorisaha voi singota suurella voimalla liikkeelle sahanpurun, pienten puumpalojen ja vastaavan kaltaisia kappaleita. Ne voivat aiheuttaa vakavia vahinkoja, etenkin silmille.



VAROITUS! Moottorin käyttäminen suljetussa tai huonosti ilmastoidussa tilassa voi aiheuttaa tukehtumisesta tai hiilimonoksidimyrkytyksestä johtuvan kuoleman.



VAROITUS! Väärä terälaite tai väärä terälevy/teräketjuyhdistelmä lisää takapotkun vaaraa! Käytä vain suosittelemiamme terälevy/teräketjuyhdistelmiä ja noudata teroitusohjeita. Katso ohjeita kappaleessa Tekniset tiedot.

Käytä aina tervettä järkeä (2)

On mahdotonta kuvata kaikkia mahdollisia tilanteita, joita moottorisahan käytössä voi ilmetä. Ole aina varovainen ja käytä tervettä järkeä. Vältä tilanteita, mihin et katso taitosi riittävän. Mikäli olet vielä näiden ohjeiden lukemisen jälkeen epävarma menettelytavoista, sinun on kysyttävä neuvoa asiantuntijalta ennen jatkamista. Älä epäröi ottaa yhteyttä jälleenmyyjäsi tai meihin, mikäli sinulla on kysyttävää moottorisahan käytöstä. Olemme mielellämme avuksi ja annamme neuvoja, joiden avulla voit käyttää moottorisahaasi paremmin ja turvallisemmin. Moottorisahan käyttöön kannattaa hankkia opetusta. Jälleenmyyjäsi, metsäopistot tai kirjastot voi antaa tietoja saatavilla olevista koulutusmateriaaleista ja kursseista. Työ rakenteiden ja tekniikan parantamiseksi on jatkuvasti käynnissä - parannuksilla halutaan lisätä sinun turvallisuuttasi ja tehokkuuttasi. Käy jälleenmyyjäsi luona säännöllisesti kuulemassa, millaista yhteyttä voit saada kulloinkin esitteillä olevista uutuuksista.

Henkilökohtainen suojavarustus



VAROITUS! Suurin osa moottorisahaonnettomuuksista tapahtuu niin, että teräketju osuu käyttäjään. Konetta käytettäessä on aina pidettävä hyväksytyjä henkilökohtaisia suojavarusteita. Henkilökohtaiset suojavarusteet eivät poista tapaturmien vaaraa, mutta lieventävät vaurioita onnettomuustilanteessa. Pyydä jälleenmyyjältä apua varusteiden valinnassa.

- Hyväksytyjä suojakypäriä
- Kuulonsuojaimet
- Suojalasit tai visiiri
- Viiltosuojalla varustetut käsineet
- Viiltosuojalla varustetut housut
- Viiltosuojalla, teräksisellä varvasuojalla ja luistamattomalla pohjalla varustetut saappaat
- Ensiapulaukun on aina oltava lähellä.
- Palonsammutin ja lapio

Vaatteiden pitää olla ihonmyötäisiä, mutta ne eivät saa vaikeuttaa liikkumista.

TÄRKEÄÄ! Äänenvaimentimesta, terälevystä ja ketjusta tai muista lähteistä saattaa syntyä kipinöitä. Pidä palonsammutuskalusto aina saatavilla mahdollista tarvetta varten. Niin voit olla avuksi metsäpalojen ehkäisemisessä.

Koneen turvalaitteet

Tässä luvussa selvitetään koneen turvalaitteet ja niiden toiminta. Katso tarkastus- ja kunnossapito-ohjeet otsikon Koneen turvalaitteiden tarkastus, kunnossapito ja huolto alta. Katso luvusta Koneen osat, missä nämä laitteet koneessasi sijaitsevat.

Koneen käyttöikä voi lyhentyä ja onnettomuusriski kasvaa, jos koneen kunnossapitoa ei suoriteta oikealla tavalla ja jos huoltoa ja/tai korjauksia ei tehdä ammattitaitoisesti. Jos tarvitset lisäohjeita, ota yhteyttä huoltokorjaamoon.



VAROITUS! Älä koskaan käytä konetta, jos sen turvalaitteet ovat rikki. Turvalaitteet on tarkastettava ja huollettava. Katso ohjeet otsikon Koneen turvalaitteiden tarkastus, kunnossapito ja huolto alta. Jos koneessasi ilmenee tarkastettaessa puutteita, se on toimitettava huoltoilikkeeseen korjattavaksi.

Takapotkusuojuksella varustettu ketjujarru

Moottorisahasasi on varustettu ketjujarrulla, joka pysäyttää teräketjun takapotkun sattuessa. Ketjujarru vähentää onnettomuusriskiä, mutta vain sinä käyttäjänä voit estää ne. Käytä sahaa varovasti äläkä koskaan päästä terälevyn takapotkuille altista aluetta osumaan esineisiin.

- Ketjujarru (A) laukaistaan joko käsin (vasemmalla kädellä) tai automaattisella pysäytystoiminnolla. (3)

- Ketjujarru laukeaa, kun takapotkusuojusta (B) työnnetään eteenpäin. (3)
- Liike käynnistää jousikuormitteisen koneiston, joka kiristää jarruhihnan (C) moottorin ketjupyörän (D) (kytkinrummun) ympärille. (4)
- Takapotkusuojusta ei ole tarkoitettu vain ketjujarrun laukaisemiseen. Sen toinen erittäin tärkeä tehtävä on vähentää vaaraa, että vasen käsi osuu teräketjuun, jos ote irtoaa etukahvasta.
- Ketjujarru on oltava kytkettynä estämässä ketjun pyöriminen, kun moottorisaha käynnistetään
- Käytä ketjujarrua "seisontajarruna" käynnistyksessä sekä lyhyiden siirtymien aikana, jotta käyttäjä tai ympäristö ei joutuisi tekemisiin liikkuvan teräketjun kanssa.
- Ketjujarru vapautetaan työntämällä takapotkusuojus taaksepäin etukahvaan päin.
- Takapotkut voivat olla salamannopeita ja erittäin voimakkaita. Useimmat takapotkut ovat heikkoja, eivätkä ne aina laukaise ketjujarrua. Näissä tilanteissa moottorisaha on pidettävä tukevassa otteessa eikä sitä saa päästää käsistä.
- Se, laukaistaanko ketjujarru käsin vai automaattisella pysäytystoiminnolla, riippuu takapotkun voimakkuudesta ja moottorisahan asennosta siihen esineeseen nähden, johon terälevyn takapotkusektori on osunut.
- Rajuissa takapotkuissa ja kun terälevyn takapotkusektori on mahdollisimman kaukana käyttäjästä, ketjujarru laukeaa automaattisella pysäytystoiminnolla, jonka ketjujarrun vastavoima (hitaus) aktivoi takapotkun suunnassa.
- Lievemmissä takapotkuissa, tai kun takapotkusektori on lähellä käyttäjää, laukeaa ketjujarru vasemman käden vaikutuksesta.
- Kaatoasennossa vasen käsi on sellaisessa asennossa, että ketjujarrun aktiivitoi käsin on mahdollonta. Pidettäessä sahasta tällaisella otteella, ts. kun vasen käsi on asetettu niin, ettei se pysty vaikuttamaan takapotkusuojuksen liikkeeseen, voi ketjujarru laueta vain automaattisen pysäytystoiminnon vaikutuksesta.

Aktivoiko käteni aina ketjujarrun takapotkun yhteydessä?

Ei. Takapotkusuojan viemiseksi eteen tarvitaan tietyn suuruista voimaa. Jos kätesi hipaisee vain kevyesti takapotkusuojaa tai luiskahtaa sen yli, saattaa voima olla liian pieni ketjujarrun laukaisuun. Moottorisahan kahvasta on myös pidettävä tukevasti kiinni työskentelyn aikana. Kun teet niin, et ehkä koskaan irrota otetta etukahvasta ja aktivoi ketjujarrua, tai ketjujarru voi mennä päälle vasta kun saha on ehtinyt liikkua melkoisen matkan. Tällaisessa tapauksessa saattaa käydä niin, ettei ketjujarru ehdi pysäyttää ketjua ennen kuin se osuu sinuun.

Myös tietyissä työasennoissa kätesi ei yletä takapotkusuojaan ketjujarrun aktivoimiseksi, esim. kun sahaa pidetään kaatoasennossa.

Pysäyttääkö automaattinen pysäytystoiminto ketjun aina, jos takapotku tapahtuu?

Ei. Ensinnäkin jarrun on toimittava. Jarrun testaaminen on helppoa, katso ohjeet otsikon Koneen turvalaitteiden tarkastus, kunnossapito ja huolto alta. Suosittelemme, että teet sen ennen jokaista työrupeamaa. Toiseksi takapotkun on oltava riittävän voimakas, jotta se aktivoisi ketjujarrun. Jos ketjujarru olisi hyvin herkkä, se aktivoituisi tämän tästä, ja se olisi melko vaivalloista.

Suojaako ketjujarru minua vahingoilta aina, jos takapotku tapahtuu?

Ei. Ensinnäkin jarrun on toimittava, jotta se suojaisi tarkoitettulla tavalla. Toiseksi se on aktivoitava yllä kuvatulla tavalla, jotta se pysäyttäisi teräketjun takapotkun yhteydessä. Kolmanneksi ketjujarru voi kyllä aktivoitua, mutta jos terälevy on liian lähellä sinua, voi käydä niin ettei jarru ehdi hidastamaan ja pysäyttämään ketjua ennen kuin moottorisaha osuu sinuun.

Vain sinä itse ja oikea työtekniikka voitte eliminoida takapotkun ja sen aiheuttamat vaaratilanteet.

Kaasuliipasimen varmistin

Varmistin on suunniteltu estämään tahaton kaasuliipasimen käyttäminen. Kun varmistin (A) painetaan kahvan sisään (= kun kahvasta tartutaan kiinni), kaasuliipaisin (B) vapautuu. Kun ote kahvasta irrotetaan, palautuvat sekä kaasuliipaisin että varmistin lähtöasentoonsa. Lähtöasennossa kaasuliipaisin on siis aina lukittuna joutokäynnille. (5)

Ketjusieppo

Ketjusieppo pyydystää terälevyistä irronneen tai katkenneen ketjun. Nämä tilanteet voidaan useimmiten välttää kiristämällä ketju oikein (ks. otsikon Asennus alla annetut ohjeet) sekä terälevyn ja ketjun oikealla kunnossapidolla ja huollolla (ks. otsikon Yleiset työohjeet alla annetut ohjeet).

Rystyssuojus

Rystyssuojuksen on paitsi suojattava kättä ketjun irrotessa tai katketessa, myös varmistettava, etteivät oksat ja risut vaikuta käden otteeseen takakahvasta.

Tärinänvaimennus

Koneesi on varustettu tärinänvaimentimilla, jotka tekevät sen käytöstä mahdollisimman tärinätöntä ja miellyttävää.

Koneen tärinänvaimennus vähentää tärinöiden siirtymistä moottoriyksiköstä/terälaitteesta koneen kahvoihin. Moottorisahan runko ja terälaite on eristetty kahvaosista nk. vaimennuselementeillä.

Kovat puulajit (useimmat lehtipuut) aiheuttavat enemmän tärinöitä kuin pehmeät (useimmat havupuut). Tylsällä tai väärällä (väärä tyyppi tai väärä vivlaus) terälaitteella sahaaminen lisää tärinää.



VAROITUS! Liiallinen altistuminen tärinöille saattaa aiheuttaa verisuoni- tai hermovaurioita verenkiertohäiriöistä kärsiville henkilöille. Hakeudu lääkäriin, jos havaitset oireita, jotka voivat liittyä liialliseen tärinöille altistumiseen. Esimerkkejä tällaisista oireista ovat puutumiset, tunnottomuus, kutinat, pistelyt, kipu, voimattomuus tai heikkous, ihon värin tai pinnan muutokset. Näitä oireita esiintyy tavallisesti sormissa, käsissä tai ranteissa. Nämä oireet voivat voimistua alhaisissa lämpötiloissa.

Pysäytin

Moottori on pysäytettävä pysäyttimellä.

Äänenvaimennin

Äänenvaimennin on suunniteltu alentamaan äänitasoa ja ohjaamaan moottorin pakokaasut käyttäjästä pois päin.



VAROITUS! Moottorin pakokaasut ovat kuumia ja voivat sisältää kipinöitä jotka voivat aiheuttaa tulipalon. Älä koskaan käynnistä konetta sisätiloissa tai lähellä tulenarkaa materiaalia!

Alueilla, joissa on lämmin ja kuiva ilmasto, voi tulipalovaara olla ilmeinen. Näillä alueilla lait ja säädökset voivat määrätä, että äänenvaimentimessa on oltava muun muassa hyväksytyt kipinänsammutusverkko (A). (6)



HUOM! Äänenvaimennin kuumentuu erittäin voimakkaasti sekä käytön aikana että pysäyttämisen jälkeen. Tämä koskee myös joutokäyntiä. Ota palonvaara huomioon, erityisesti palonarkojen aineiden ja/tai kaasujen läheisyydessä.



VAROITUS! Älä koskaan käytä äänenvaimenninta ilman kipinänsammutusverkkoa, tai jos kipinänsammutusverkko on rikki. Rikkoutunut äänenvaimennin voi nostaa äänitasoa ja palonvaaraa merkittävästi. Pidä palonsammutuskalusto saatavilla. Älä koskaan käytä moottorisahaa ilman kipinänsammutusverkkoa, tai jos kipinänsammutusverkko on rikki, mikäli kipinänsammutusverkko on pakollinen varuste työskentelyalueellasi.

Terälaite

Tässä osassa kerrotaan, miten oikealla kunnossapidolla ja oikeantyyppisiä terälaitteita käyttämällä:

- Vähennät koneen takapotkualttiutta.
- Vähentää ketjun irtoamis- ja katkeamisvaaraa.
- Saavuttaa parhaan sahaustehon.
- Pidentää terälaitteen kestoikää.
- Estää tärinätason kasvamista.

Perussäännöt

- **Käytä vain suosittelemiamme terälaitteita!** Katso ohjeita kappaleessa Tekniset tiedot.
- **Pidä teräketjun leikkuuhampaat hyvin ja oikein teroitettuina! Noudata ohjeitamme ja käytä suositeltua viilausohjainta.** Väärin teroitettu tai vaurioitunut teräketju lisää onnettomuuksien vaaraa.
- **Päädi kouru- ja säätöhampaan korkeusero oikeana! Noudata ohjeitamme ja käytä suositeltua säätöhampaan viilausohjainta.** Liian suuri korkeusero lisää takapotkun vaaraa.
- **Pidä teräketju kireällä!** Liian löysä teräketju lisää teräketjun irtoamisvaaraa sekä lisää terälevyn, teräketjun ja ketjupyörän kulumista.
- **Voitele terälaitte hyvin ja huolla se oikein!** Riittämättömästi voideltu teräketju lisää teräketjun katkeamisvaaraa sekä lisää terälevyn, teräketjun ja ketjupyörän kulumista.

Takapotkuja ehkäisevä terälaitte



VAROITUS! Väärä terälaitte tai väärä terälevy/teräketjuyhdistelmä lisää takapotkun vaaraa! Käytä vain suosittelemiamme terälevy/teräketjuyhdistelmiä ja noudata teroitusohjeita. Katso ohjeita kappaleessa Tekniset tiedot.

Takapotkut voidaan välttää vain siten, että sinä käyttäjänä huolehdit siitä, että terälevyn takapotkusektori ei koskaan osu mihinkään esineeseen. Käyttämällä terälaitetta, jossa on "sisäänrakennettu" takapotkusuojia, sekä teroittamalla ja huoltamalla teräketjun oikein voidaan takapotkun voimakkuutta vähentää.

Terälevy

Mitä pienempi kärkisäde, sitä pienempi takapotkualttiisuus.

Teräketju

Teräketju koostuu erilaisista lenkeistä, joiden rakenne voi olla joko vakio tai takapotkuja ehkäisevä.

TÄRKEÄÄ! Yksikään teräketju ei eliminoi takapotkuvaaraa.



VAROITUS! Jokainen pyörivän teräketjun kosketus voi aiheuttaa erittäin vakavia vahinkoja.

Terälevyn ja teräketjun määritteleviä käsitteitä

Kaikkien terälaitteen turvalaitteiden pitäminen toimintakelpoisena edellyttää, että kuluneet ja vaurioituneet terälevy/teräketjuyhdistelmät vaihdetaan Jonsered suosittelemiin terälevyihin ja teräketjuihin. Katso tiedot suosittelemistamme terälevy/ ketjuyhdistelmistä otsikon Tekniset tiedot alta.

Terälevy

- Pituus (tuumaa/cm)
- Kärkipyörän hampaiden lukumäärä (T).
- Teräketjun jako (=pitch) (tuumaa). Terälevyn kärkipyörän ja moottorisahan ketjupyörän on oltava sovitettu vetolenkkien välisen etäisyyden mukaan.

- Vetolenkkien lukumäärä (kpl). Vetolenkkien lukumäärä riippuu terälevyn pituudesta, ketjuajasta ja kärkipyörän hampaiden lukumäärästä.
- Terälevyn ohjauksuran leveys (tuumaa/mm). Ohjauksuran leveyden on oltava sovitettu teräketjun vetolenkkien vahvuuden mukaan.
- Teräketjun öljyreikä ja ketjunkturistystapin reikä. Terälevyn on oltava sovitettu moottorisahan rakenteen mukaan.

Teräketju

- Teräketjun jako (=pitch) (tuumaa)
- Vetolenkin vahvuus (mm/tuumaa)
- Vetolenkkien lukumäärä (kpl)

Teräketjun teroitus ja kouru- ja säätöhampaan korkeuseron säätö



VAROITUS! Suojaa kätesi vahingoilta käyttämällä aina käsineitä, kun käsittelet ketjua.

Yleistä kouruhampaan teroittamisesta

- Älä koskaan sahaa tylsällä teräketjulla. Teräketju on tylsä, jos sinun täytyy painaa terälaitetta puuhun ja jos sahanpuru on erittäin hienoa. Jos teräketju on erittäin tylsä, ei lastuja synny lainkaan. Tuloksena on vain sahaajauhoa.
- Hyvin teroitettu teräketju painuu itsestään puun läpi ja tekee suuria ja pitkiä lastuja.
- Teräketjun leikkaavaa osaa kutsutaan hammaslenkiksi ja sen osat ovat kouruhammas (A) ja säätöhammas (B). Näiden korkeusero ratkaisee leikkauksyvyyden. (7)

Kouruhampaan teroituksessa on otettava huomioon neljä mittaa.

- 1 Viilauskulma
- 2 Etukulma
- 3 Viilan asento
- 4 Pyöröviilan halkaisija

Teräketjua on erittäin vaikea teroittaa oikein ilman apuvälineitä. Siksi suosittelemme viilausohjaimemme käyttöä. Ohjain varmistaa, että teräketju teroitetaan niin, että se ehkäisee mahdollisimman hyvin takapotkuja ja antaa mahdollisimman hyvän sahaustehon.

Katso luvusta Tekniset tiedot, mitkä arvot pätevät sinun moottorisahasi teräketjun teroittamiseen.



VAROITUS! Teroitusohjeista poikkeaminen lisää teräketjun takapotkualttiutta merkittävästi.

Kouruhampaan teroitus

Kouruhampaan teroitusta varten tarvitaan pyöröviila ja viilausohjain. Katso luvusta Tekniset tiedot, mitä pyöröviilan halkaisijaa ja viilausohjainta suositellaan moottorisahasi teräketjulle.

- Tarkasta, että teräketju on kireällä. Riittämätön kiristys tekee teräketjusta epävakaan sivusuunnassa, mikä vaikeuttaa oikeaa teroitusta.
- Viilaa aina kouruhampaan sisä sivulta ulospäin. Kevennä otetta paluuviedon ajaksi. Viilaa kaikki

hampaat ensin toiselta sivulta, käännä sen jälkeen moottorisaha ja viilaa hampaat myös toiselta sivulta.

- Viilaa kaikki hampaat yhtä pitkiksi. Kun kouruhampaan pituudesta on jäljellä enää 4 mm (0,16"), on teräketju loppuunkulunut ja se on vaihdettava. (8)

Yleistä kouru- ja säätöhampaan korkeuseron säädöstä

- Kouruhammasta teroitettaessa pienenee kouru- ja säätöhampaan korkeusero (= leikkuusvyvyys). Parhaimman leikkuutehon säilyttämiseksi täytyy säätöhampmas alentaa suositellulle tasolle. Katso luvusta Tekniset tiedot, kuinka suuri korkeusero sinun moottorisahasasi teräketjussa tarvitaan.



VAROITUS! Liian suuri korkeusero lisää teräketjun takapotkualltiutta!

Kouru- ja säätöhampaan korkeuseron säätäminen

- Kun kouru- ja säätöhampaan korkeuseroa säädetään, täytyy kouruhampaiden olla vastateroitettua. Suosittelemme, että korkeusero säädetään joka kolmannelle teräketjun teroituskerralla. HUOM! Tämä suositus edellyttää, ettei kouruhampaista ole viillattu poikkeuksellisen lyhyiksi.
- Kouru- ja säätöhampaan säätöä varten tarvitaan lattaviila ja säätöhampaan viilausohjain. Suosittelemme, että käytät säätämisessä viilausohjaintamme, jotta säätöhampaan mitta ja kulma tulevat oikeiksi.
- Paina viilausohjain teräketjun päälle. Ohjeita viilausohjaimen käytöstä löytyy pakkauksesta. Hio lattaviilalla pois liika materiaali säätöhampaan ylityöntyvistä osasta. Korkeusero on oikea, kun viilaa ohjaimen yli vedettäessä ei tunnu lainkaan vastusta.

Teräketjun kiristäminen



VAROITUS! Riittämätön kiristys voi aiheuttaa teräketjun irtoamisen, mikä voi aiheuttaa vakavan, jopa hengenvaarallisen tapaturman.



VAROITUS! Käytä aina hyväksytyjä suojakäsineitä. Myös liikkumaton ketju voi aiheuttaa vakavia vammoja käyttäjälle tai henkilöille, jotka koskevat ketjuun.

Mitä enemmän käytät teräketjua, sitä pitemmäksi se venyy. On tärkeää säätää terälaitetta ketjun pituusmuutoksen mukaan.

Teräketjun kireys tulee tarkastaa aina tankkauksen yhteydessä. HUOM! Uusi teräketju vaatii sisäänajon, jonka aikana teräketjun kireys on tarkastettava useammin.

Teräketju on kiristettävä mahdollisimman tiukalle, ei kuitenkaan niin kireälle, ettei se pyöri kevyesti käsin pyöritettäessä. (9)

- Löysää terämutterit, jotka lukitsevat kytkinkotelon/ ketjujarrun. Käytä yhdistelmäavainta. Kiristä sen jälkeen terämutterit käsin niin tiukalle kuin voit. (10)

- Nosta terälevyn kärjestä ja kiristä teräketju kiertämällä teräketjun kiristysruuvia yhdistelmäavaimella. Kiristä teräketju, kunnes se ei enää riipu löysällä terälevyn alapuolella. (11)
- Kiristä terämutterit yhdistelmäavaimella, samalla kun pidät terälevyn kärkeä ylhäällä. Tarkasta, että teräketju on helppo pyörittää käsin ja ettei se roiku löysänä terälevyn alapuolella. (12)

Terälaitteen voitelu



VAROITUS! Riittämätön terälaitteen voitelu voi aiheuttaa teräketjun katkeamisen, mikä voi aiheuttaa vakavan, jopa hengenvaarallisen tapaturman.

Teräketjuöljy

Teräketjuöljyn ketjuun tarttuvuuden ja juoksevuusominaisuuksien on oltava hyvät huolimatta siitä, onko lämmin kesä tai kylmä talvi.

Moottorisahan valmistajana olemme kehittäneet optimaalisen teräketjuöljyn, joka kasviöljypohjaisena on lisäksi biologisesti hajoaava. Suosittelemme öljymme käyttämistä, sillä se pidentää niin teräketjun kuin ympäristönkin elinikää. Jos teräketjuöljyämme ei ole saatavissa, suosittelemme tavallista teräketjuöljyä.

Älä koskaan käytä jäteöljyä! Se on vahingollista sekä sinulle, koneelle että ympäristölle.



TÄRKEÄÄ! Kun käytät kasvipohjaista teräketjuöljyä, pura ja puhdista terälevyn ohjausura ja teräketju ennen kuin siirrä sahan pitkäaikaissäilytykseen. Muuten teräketjuöljy voi hapettua, jolloin teräketju jäykistyy ja terälevyn kärkipyörä ei toimi kunnolla.

Teräketjuöljyn lisääminen

- Kaikissa moottorisahamalleissamme on automaattinen teräketjuvoitelu. Osaan malleista on saatavana myös öljynvirtauksen säätö.
- Teräketjuöljysäiliö ja polttoainesäiliö on mitoitettu niin, että polttoaine loppuu ennen teräketjuöljyä.

Tämä turvatoiminto edellyttää kuitenkin oikealaatuisen teräketjuöljyn käyttämistä (liian ohut ja juokseva öljy loppuu ennen polttoainesäiliön tyhjentymistä), kaasutytimen säätösuosistustemme noudattamista (liian "laihalla" säädöllä polttoaine kestää pitempään kuin teräketjuöljy) ja terälaitetta koskevien suosistustemme noudattamista (liian pitkä terälevy vaatii enemmän ketjuöljyä).

Teräketjuvoitelun tarkastus

- Tarkasta teräketjuvoitelu aina tankkauksen yhteydessä. Katso otsikon Terälevyn kärkipyörän voitelu alla annetut ohjeet.

Aseta terän kärki noin 20 cm:n (8 tuuman) päähän kiinteästä vaaleapintaisesta esineestä. Kun moottorisahaa käytetään 3/4-kaasulla 1 minuutin ajan, on vaaleaan esineeseen jäätävä selvästi erottuva öljyvana.

Jos teräketjuvoitelu ei toimi:

- Tarkasta, että terälevyn teräketjuöljykanava on auki. Puhdista tarvittaessa.
- Tarkasta, että ohjausura on puhdas. Puhdista tarvittaessa.
- Tarkasta, että terälevyn kärkipyörä pyörii kevyesti ja että kärkipyörän voitelureikä on auki. Puhdista ja voitele tarvittaessa.

Jos teräketjuvoitelu ei toimi edellä lueteltujen tarkastusten ja korjaustoimenpiteiden jälkeenkään, on sinun otettava yhteys huoltoliikkeeseen.

Ketjupyörä

Kytkinrummussa on Spur-ketjupyörä (ketjupyörä valettu kiinni rumpuun).

Tarkasta säännöllisesti ketjupyörän kuluneisuus. Vaihda, jos se on epätavallisen kulunut. Ketjupyörä on vaihdettava aina teräketjun vaihdon yhteydessä.

Terälaitteen kulumisen tarkastus

Tarkasta teräketjusta päivittäin:

- Onko niiteissä ja lenkeissä näkyviä säröjä.
- Onko teräketju jäykkä.
- Ovatko niitit ja lenkit epätavallisen kuluneet.

Poista teräketju käytöstä, mikäli siinä on havaittavissa yksi tai useampi yllä mainituista kohdista.

Suosittelemme, että tarkastat teräketjun kuluneisuuden vertaamalla sitä uuteen teräketjuun.

Kun kouruhampaan pituudesta on jäljellä enää 4 mm, on teräketju loppuunkulunut ja se on vaihdettava.

Terälevy

Tarkasta säännöllisesti:

- Onko ohjauskiskojen ulkosivuilla kierrettä. Poista tarvittaessa viilaamalla. **(13A)**
- Onko ohjausura epätavallisen kulunut. Vaihda terälevy tarvittaessa. **(13B)**
- Onko terälevyn kärki kulunut epätavallisesti tai epätasaisesti. Jos terälevyn kärkisäteen päähän terälevyn alapuolelle on tullut "kuoppa", olet sahannut liian löysällä teräketjulla.
- Terälevyn maksimaalisen kestoiän varmistamiseksi se on käännettävä päivittäin.



VAROITUS! Suurin osa moottorisahaonnettomuuksista tapahtuu niin, että teräketju osuu käyttäjään.

Käytä henkilökohtaisia suojarusteita. Katso otsikon Henkilökohtainen suojarustus alla annetut ohjeet.

Älä tee mitään sellaista, mihin et katso taitosi riittävän. Katso otsikoiden Henkilökohtainen suojarustus, Takapotkua ehkäisevät toimenpiteet, Terälaite ja Yleiset työohjeet alla annetut ohjeet.

Vältä tilanteita, joihin liittyy takapotkuvaara. Katso otsikon Koneen turvalaitteet alla annetut ohjeet.

Käytä suositeltua terälaitetta ja tarkasta sen kunto. Katso otsikon Yleiset työohjeet alla annetut ohjeet.

Tarkasta moottorisahan turvalaitteiden toiminta. Katso otsikoiden Yleiset työohjeet ja Yleiset turvaohjeet alla annetut ohjeet.

Terälevyn ja ketjun asennus



VAROITUS! Tarkastus- ja/tai huoltotöiden aikana moottorin on oltava sammutettuna. Pysäytyskosketin palautuu automaattisesti käynnistysasentoon. Sen vuoksi, tahattoman käynnistyksen estämiseksi, sytytystulpan suojus on aina irrotettava sytytystulpasta asennuksen, tarkastuksen ja/tai huollon ajaksi.

Suojaa kätesi vahingoilta käyttämällä aina käsineitä, kun käsittelet ketjua.

Tarkasta, että ketjujarru ei ole lauenneessa asennossa siirtämällä ketjujarrun takapotkusuojusta etukahvaan päin.

Ruuvaa terämutterit irti ja irrota kytkinkotelo (ketjujarru). Poista kuljetussuoja. (A) (14)

Asenna terälevy teräpultteihin. Aseta terälevy takimmaiseen asentoonsa. Aseta ketju ketjupyörälle ja terälevyn ohjausuraan. Aloita terälevyn yläpuolelta. (15)

Tarkasta, että hammaslenkkien teräsärmät ovat eteenpäin terälevyn yläpuolella.

Asenna kytkentäkuori (ketjujarru) ja sijoita ketjunkturistystappi terän syvennykseen. Tarkista, että ketjun lenkit sopivat ketjun käyttöpyörään ja että ketju sijaitsee oikein terän urassa. Kiristä terän mutterit sormilla. (16)

Kiristä ketju kiertämällä ketjun kiristysruuvia yhdistelmäavaimella myötäpäivään. Ketjua on kiristettävä sen verran, ettei se roiku löysällä terälevyn alapuolella. Katso otsikon Teräketjun kiristäminen alla annetut ohjeet. (17)

Ketjun kireys on oikea, kun se ei roiku löysällä terälevyn alapuolella ja liikkuu kevyesti käsin pyöritettäessä. Kiristä terämutterit yhdistelmäavaimella pitäen samalla terälevyn kärkeä ylhäällä. (18)

Uuden ketjun kireys on tarkastettava usein ketjun sisäänajon aikana. Tarkasta ketjun kireys säännöllisesti. Oikein kiristetty ketju takaa hyvän leikkuutehon ja pitkän kestoian. (19)

Kuorituen asennus

Ota yhteys huoltooliikkeeseen kuorituen asentamiseksi.

Polttoaine

Huom! Kone on varustettu kaksitahtimoottorilla, jota on aina käytettävä bensiinin ja kaksitahtimoottoriöljyn sekoituksella. Oikean seossuhteen varmistamiseksi on tärkeää mitata sekoitettava öljymäärä tarkasti. Pieniä polttoainemääriä sekoitettaessa öljymäärän pienetkin virheellisuudet vaikuttavat voimakkaasti seossuhteeseen.



VAROITUS! Huolehdi hyvästä ilmanvaihdosta polttoaineita käsiteltäessä.

Bensiini

- Käytä liijytöntä tai liijyllistä laatubensiiniä.
- Suositeltu alin oktaaniluku on 90 (RON). Jos moottoria käytetään bensiinillä, jonka oktaaniluku on pienempi kuin 90, voi seurauksena olla nk. nakutus. Tämä nostaa moottorin lämpötilaa ja lisää laakereiden kuormitusta, mistä voi seurata vakavia moottorivaurioita.
- Työhön, jossa saaha käytetään jatkuvasti suurella pyörimisnopeudella (esim. karsinta), suositellaan suurempaa oktaanilukua.

Sisäänajo

Pitkäaikaista käyttämistä liian korkeilla kierrosnopeuksilla tulee välttää ensimmäisten 10 tunnin aikana.

Kaksitahtiöljy

- Parhaan tuloksen ja suorituskyvyn saavuttamiseksi suositellaan JONSEREDn kaksitahtiöljyä, joka on suunniteltu erityisesti meidän ilmajäähdytteisille kaksitahtimoottoreillemme.
- Älä koskaan käytä kaksitahtiöljyä, joka on tarkoitettu vesijäähdytteisille ulkolaitamoottoreille, eli nk. outboardoil-öljyä (nimitetään TCW:ksi).
- Älä koskaan käytä nelitahtimoottoreille tarkoitettua öljyä.
- Alhainen öljynlaatu tai liian rasvainen öljy/polttoainesekoitus voivat vaarantaa katalyysaattorin toiminnan ja lyhentää sen käyttöikää.

Seossuhde

1:50 (2 %) JONSEREDn kaksitahtiöljy.

1:33 (3 %) muut ilmajäähdytteisille kaksitahtimoottoreille tarkoitetut öljyt, luokitus JASO FB/ISO EGB.

Bensiini, litraa	Kaksitahtiöljy, litraa	
	2% (1:50)	3% (1:33)
5	0,10	0,15
10	0,20	0,30
15	0,30	0,45
20	0,40	0,60

Sekoitus

- Sekoita bensiini ja öljy aina puhtaassa bensiinille hyväksytyssä astiassa.
- Lisää aina ensin puolet sekoitettavasta bensiinistä. Lisää sen jälkeen koko öljymäärä. Sekoita (ravista) polttoaineseosta. Lisää loput bensiinistä.
- Sekoita (ravista) polttoaineseos huolellisesti ennen koneen polttoainesäiliön täyttämistä.
- Sekoita polttoainetta enintään 1 kuukauden tarvetta vastaava määrä.
- Jos konetta ei käytetä pitkään aikaan, on polttoainesäiliö tyhjennettävä ja puhdistettava.

Ketjuöljy

- Voiteluun suositellaan erikoisöljyä (ketjuvoiteluöljyä), jolla on hyvä tarttuvuus.
- Älä koskaan käytä jäteöljyä. Se vaurioittaa öljypumppua, terälevyjä ja ketjua.
- On tärkeää käyttää ilman lämpötilaan sopivaa öljytyyppiä (oikea viskositeetti).
- Osa öljyistä menettää juoksevuuttaan, kun ilman lämpötila laskee alle 0°C:n. Tästä voi aiheutua öljypumpun ylikuormittuminen ja pumpun osien vaurioituminen.
- Kysy huoltoliikkeestäsi neuvoa ketjuvoiteluöljyn valinnassa.

Tankkaus



VAROITUS! Seuraavat turvatoimet vähentävät tulipalon vaaraa:

Älä tupakoi tankattaessa äläkä aseta kuumia esineitä polttoaineen lähelle.

Pysäytä moottori ja anna sen jäähtyä muutamia minutteja ennen tankkausta.

Avaa polttoainesäiliön korkki hitaasti tankkauksen yhteydessä, niin että mahdollinen ylipaine häviää hitaasti.

Kiristä polttoainesäiliön korkki huolellisesti tankkauksen jälkeen.

Siirrä aina kone tankkauspaikalta ennen käynnistämistä.

Pyyhi polttoainesäiliön korkin ympäristö puhtaaksi. Puhdista polttoaine- ja ketjuöljysäiliö säännöllisesti. Polttoainesuodatin on vaihdettava vähintään kerran vuodessa. Säiliöissä olevat epäpuhtaudet aiheuttavat käyntihäiriöitä. Varmista, että polttoaine on sekoittunut hyvin, ravistamalla astiaa ennen tankkausta. Ketjuöljy- ja polttoainesäiliön tilavuudet on sovitettu huolellisesti toisiinsa. Täytä siksi aina ketjuöljy- ja polttoainesäiliö samanaikaisesti.



VAROITUS! Polttoaine ja polttoainehöyryt ovat erittäin tulenarkoja. Käsittele polttoainetta ja ketjuöljyä varovasti. Muista palo-, räjähdys- ja sisäanhengitysvaarat.

Polttoaineturvallisuus

- Älä koskaan tankkaa konetta moottorin käydessä.
- Huolehdi hyvästä ilmanvaihdosta tankattaessa ja polttoainetta sekoitettaessa (bensiini ja 2-tahtiöljy).
- Siirrä kone vähintään 3 metrin päähän tankkauspaikalta ennen käynnistämistä.
- Älä koskaan käynnistä konetta:
 - 1 Jos koneen päälle on roiskunut polttoainetta tai teräketjuöljyä. Poista kaikki roiskeet ja anna bensiinin jäännösten haihtua.
 - 2 Jos olet läikyttänyt polttoainetta itsesi päälle tai vaatteillesi, vaihda vaatteet. Pese ne ruumiinosat, jotka ovat olleet kosketuksissa polttoaineeseen. Käytä saippua ja vettä.
 - 3 Jos koneesta vuotaa polttoainetta. Tarkasta säännöllisesti, etteivät säiliön korkki ja polttoainejohdot vuoda.



VAROITUS! Älä käytä koskaan konetta, jonka syytystulpan suojuksessa tai syytyskaapelissa on näkyviä vikoja. Ne saattavat aiheuttaa kipinöintiä, joka voi johtaa tulipaloon.

Kuljetus ja säilytys

- Säilytä moottorisahaa ja polttoainetta niin, että mahdolliset vuodot ja höyryt eivät pääse kosketuksiin kipinöiden tai avotulen kanssa. Esimerkiksi sähkökoneet, sähkömoottorit, sähkökytkimet/virtakatkaisimet, lämpökattilat tai vastaavat.
- Polttoaine on säilytettävä siihen erityisesti tarkoitetuissa ja hyväksytyissä astioissa.
- Moottorisahan pitkäaikaisen säilytyksen tai kuljetuksen aikana on sekä polttoaine- että teräketjuöljysäiliö tyhjennettävä. Kysy lähimmältä bensiiniasemalta, mihin voit hävittää polttoaineen ja ylimääräisen teräketjuöljyn.
- Varmista, että kone on puhdistettu hyvin ja että täydellinen huolto on tehty ennen pitkäaikaissäilytystä.
- Terälaitteen kuljetussuojuksen on aina oltava asennettuna koneen kuljetuksen tai säilytyksen aikana, jotta terävä teräketju ei vahingossa osu mihinkään. Myös liikkumaton ketju voi aiheuttaa vakavia vammoja käyttäjälle tai henkilöille, jotka koskevat ketjuun.
- Varmista koneen kiinnitys kuljetuksen aikana.

Pitkäaikaissäilytys

Tyhjennä polttoaine- ja öljysäiliöt hyvin ilmastoidussa paikassa. Säilytä polttoaineet hyväksytyissä astioissa turvallisessa paikassa. Asenna terälevyn suojus. Puhdista kone. Katso otsikon Kunnossapitokaavio alla annetut ohjeet.

Käynnistys ja pysäytys



VAROITUS! Ennen käynnistystä on huomioitava seuraavaa:

Ketjujarrun on oltava kytkettynä, kun moottorisaha käynnistetään, jotta pyörivään teräketjuun kosketuksen riski käynnistyksen aikana pienentyy.

Älä koskaan käynnistä moottorisahaa ilman, että terälevy, sahaketju ja kaikki kotelot on asennettu. Muussa tapauksessa kytkin saattaa irrota ja aiheuttaa henkilövahinkoja.

Aseta kone tukevalle alustalle. Seiso tukevasti ja varmista, ettei terälevy pääse koskettamaan esineisiin.

Varmista, ettei työalueella ole asiaankuulumattomia.

Kylmä moottori

Käynnistys: Ketjujarrun on oltava kytkettynä, kun moottorisaha käynnistetään. Aktivoi jarru työntämällä takapotkusuojus eteenpäin. (20)

1. Polttoainepumppu: Painele polttoainepumpun kumirakkoa useita kertoja, kunnes polttoainetta alkaa valua rakkoon. Rakon ei tarvitse olla aivan täynnä. (23)

2. Rikastin: Vedä kokonaan ulos sininen kuristin-/käynnistyskaasusäädin (asentoon **FULL CHOKE**). Kun rikastussäädin on vedetty kokonaan ulos, oikea käynnistyskaasuasento säädetään automaattisesti. (21)

Käynnistyskaasu: Yhdistetty rikastus/käynnistyskaasuasento saadaan siirtämällä säädin rikastusasentoon. (22)

Käynnistys

Tartu etukahvasta vasemmalla kädellä. Työnnä vasen jalkaterä takakahvan sisään ja paina moottorisahaa maata vasten.

3. Tartu käynnistyskahvasta oikealla kädellä ja vedä käynnistysnarusta, kunnes tunnet vastuksen (kytkentäkynnet tarttuvat) ja vedä sen jälkeen nopein ja voimakkain vedoin. **Älä koskaan kiedo käynnistysnarua kätesi ympärille.** (25)

HUOM! Älä vedä käynnistysnarua täysin ulos äläkä irrota otetta käynnistyskahvasta, kun naru on täysin ulkona. Tämä voi vaurioittaa konetta.

4. Paina rikastinta sisään "puolirikastuksen" asetukseen heti, kun moottori sytyttää, minkä kuulee puhallusäänestä. (22)

5. Jatka vetämällä köydestä nopeilla nykäyksillä, kunnes moottori käynnistyy. (26) Anna moottorin lämmitä kolmenkymmenen sekunnin ajan, ja purista sitten kaasulipaisimesta säätääksesi moottorin normaalille joutokäynnille.

Koska ketjujarru on yhä kytketty, täytyy moottorin kierrosloku saada mahdollisimman nopeasti tyhjäksiäynnille, mikä tapahtuu painamalla nopeasti kaasusäädintä yhden kerran. Siten vältät tarpeetonta kytkimen, kytkinrummun ja jarrunauhan kulumista.

Huom! Palauta ketjujarru siirtämällä takapotkusuojus (merkintä "PULL BACK TO RESET") etusankaa vasten. (27) Moottorisaha on tällöin käyttövalmis.

Lämmin moottori

Käytä samaa käynnistysmenettelyä kuin kylmän moottorin kanssa mutta asettamatta kuristinsäädintä kuristinasettoon. Käynnistyskaasu saadaan vetämällä sininen kuristinsäädin kuristinasettoon ja työntämällä sitten takaisin sisään. (24)



VAROITUS! Moottorin pakokaasujen, ketjuöljysumun ja sahanpurupölyn pitkäaikainen sisäänhengittäminen voi olla terveydelle vaarallista.

- Älä koskaan käynnistä moottorisahaa ilman, että terälevy, sahaketju ja kaikki kotelot on asennettu oikein. Katso otsikon Asennus alla annetut ohjeet. Jos moottorisahaan ei ole asennettu terälevyä ja ketjua, kytkin saattaa irrota ja aiheuttaa vakavia vahinkoja. (28)
- Ketjujarrun on oltava kytkettynä, kun moottorisaha käynnistetään. Katso otsikon Käynnistys ja pysäytys alla annetut ohjeet. Älä koskaan käynnistä moottorisahaa pudottamalla. Tämä menetelmä on erittäin vaarallinen, sillä moottorisahan hallinta on helppo menettää. (29)
- Älä koskaan käynnistä konetta sisätiloissa. Tiedosta moottorin pakokaasujen sisäänhengittämiseen liittyvä vaara.
- Tarkkaile ympäristöä ja varmista, ettei terälaite pääse osumaan ihmisiin tai eläimiin.
- Pidä moottorisahasta aina kiinni molemmilla käsillä. Pidä oikea käsi takakahvalla ja vasen käsi etukahvalla. **Kaikkien käyttäjien, sekä oikea- että vasenkätisten, tulee käyttää tätä otetta.** Pidä tukeva ote niin, että peukalot ja sormet ovat moottorisahan kahvan ympärillä. (30)

Pysäytys

Moottori pysäytetään painamalla pysäytyspainike alas. (31)

Aina ennen käyttöä: (32)

- 1 Tarkasta, että ketjujarru toimii kunnolla ja että se on ehjä.
- 2 Tarkasta, että takimmainen rystyssuojus on ehjä.
- 3 Tarkasta, että kaasuliipapimien varmistin toimii kunnolla ja että se on ehjä.
- 4 Tarkasta, että pysäytyskosketin toimii kunnolla ja että se on ehjä.
- 5 Tarkasta, että kaikki kahvat ovat öljyttömät.
- 6 Tarkasta, että tärinävaimennus toimii kunnolla ja että se on ehjä.
- 7 Tarkasta, että äänenvaimennin on kiinni ja että se on ehjä.
- 8 Tarkasta, että moottorisahan kaikki osat on kiristetty ja etteivät ne ole vioittuneet tai puutu.
- 9 Tarkasta, että ketjusieppo on paikallaan ja että se on ehjä.
- 10 Tarkasta ketjun kireys.

Yleiset työhöjeet

TÄRKEÄÄ!

Tässä osassa käsitellään moottorisahan käyttöön liittyviä yleisiä turvamääräyksiä. Annetut tiedot eivät voi koskaan korvata osaamista, jonka ammattimies on hankkinut koulutuksessa ja käytännön työssä. Kun joudut tilanteeseen, jossa moottorisahan käytön jatkaminen tuntuu epävarmalta, on sinun kysyttävä neuvoa asiantuntijalta. Käännä moottorisahaliikkeen, huolto liikkeen tai kokeneen moottorisahan käyttäjän puoleen. Älä tee mitään sellaista, mihin et katso taitosi riittävän!

Ennen moottorisahan käyttöä sinun täytyy ymmärtää, mitä takapotku tarkoittaa ja miten se voidaan välttää. Katso otsikon Takapotkua ehkäisevät toimenpiteet alla annetut ohjeet.

Ennen moottorisahan käyttöä sinun täytyy ymmärtää terälevyn ala- ja yläosalla sahaamisen ero. Katso otsikoiden Takapotkua ehkäisevät toimenpiteet ja Koneen turvalaitteet alla annetut ohjeet.

Käytä henkilökohtaisia suojavarusteita. Katso otsikon Henkilökohtainen suojavarustus alla annetut ohjeet.

Yleiset turvamääräykset

- 1 Tarkkaile ympäristöä:
 - Varmistaaksesi, etteivät ihmiset, eläimet tai muut tekijät pääse vaikuttamaan koneen hallintaan.
 - Estääksesi, etteivät edellämainitut pääse koskemaan teräketjuun tai jää kaatuvan puun alle.
- HUOM!** Noudata edellä annettuja määräyksiä, mutta älä koskaan käytä moottorisahaa niin, ettei sinulla onnettomuustapauksissa ole mahdollisuutta kutsua apua.
- 2 Vältä käyttöä epäsuotuisissa sääoloissa. Esimerkiksi tiheässä sumussa, rankkasateessa, kovassa tuulesa, pakkasessa jne. Huonossa säässä työskentely on väsyttävää ja voi aiheuttaa vaaratekijöitä, esimerkiksi tehdä alustasta liukkaan, vaikuttaa puun kaatoasuuntaan ym.
 - 3 Ole erittäin varovainen pieniä oksia katkoessasi ja vältä sahaamista pensaita (= paljon pikkuoksia

yhdellä kertaa). Katkotut pikkuoksat voivat tarttua teräketjuun, sinkoutua itseäsi päin ja aiheuttaa vakavan tapaturman.

- 4 Varmista, että voit siirtyä ja seisoa turvallisesti. Katso, onko äkilliselle siirtymiselle esteitä (juuria, kiviä, oksia, kuoppia, oja jne.). Noudata suurta varovaisuutta viettäessä maastossa työskennellessäsi.
- 5 Ole erittäin varovainen jännityksessä olevia puita sahatessasi. Jännittynyt puu voi sekä ennen läpisahausta että sen jälkeen sinkoutua takaisin normaaliasentoon. Jos olet väärin sijoittunut tai sahaat puun väärästä kohdasta, se voi osua sinuun tai koneeseen niin, että menetät koneen hallinnan. Molemmat tilanteet voivat aiheuttaa vakavan tapaturman.
- 6 Siirtymisen ajaksi on teräketju lukittava ketjujarrulla ja moottori sammutettava. Kanna moottorisahaa niin, että terälevy ja teräketju ovat taaksepäin. Pitempiä matkoja siirryttäessä ja kuljetuksen aikana on käytettävä teräsuojusta.
- 7 Kun asetat moottorisahan maahan, lukitse teräketju ketjujarrulla ja varmista, että kone on valvonmassasi koko ajan. Pitempään "pysäköitäessä" moottori on sammutettava.



VAROITUS! Joskus rouhe jumittuu jytinkoteloon ja saa ketjun jumittumaan. Pysäytä aina moottori ennen puhdistusta.

Perussäännöt

- 1 Ymmärtämällä, mitä takapotku tarkoittaa ja miten se syntyy, pystyt vähentämään yllättäviä tilanteita tai kokonaan poistamaan ne. Yllättävä tilanne lisää onnettomuusvaaraa. Useimmat takapotkut ovat pieniä, mutta osa on salamannopeita ja erittäin rajuja.
- 2 Pidä moottorisaha aina tukevassa otteessa oikea käsi takakahvassa ja vasen käsi etukahvassa. Peukaloiden ja sormien on oltava kahvan ympärillä. Kaikkien käyttäjien, olivatpa he oikea- tai vasenkätisiä, on käytettävä tätä otetta. Tällä otteella pystyt parhaiten pienentämään takapotkun vaikutusta ja samalla pitämään moottorisahan hallinnassasi. **Älä irrota käsiä kahvoista!**
- 3 Useimmat takapotkuonnettomuudet sattuvat karsinnassa. Seiso tukevasti ja varmista, ettet pääse kompastumaan tai menettämään tasapainoasi maassa olevien esteiden vuoksi.
Huolimattomasti toimittaessa takapotkusektori voi osua tahattomasti esimerkiksi oksaan tai lähellä olevaan puuhun ja aiheuttaa takapotkun.
Valvo työkalua. Jos sahattavat kappaleet ovat pieniä ja kevyitä, ne voivat juuttua teräketjuun ja sinkoutua sinua kohti. Vaikka se ei itsessään olisiakaan vaarallista, saatat yllättä ja menettää sahan hallinnan. Älä koskaan sahaa pinottuja pöllejä tai oksia ottamatta niitä ensin erilleen. Saha vain yksi pöllä tai kappale kerrallaan. Siirrä sahatut kappaleet pois, jotta työalue pysyy turvallisena.
- 4 **Älä koskaan pidä moottorisahaa olkapäitesi yläpuolella ja vältä sahaamista terälevyn**

kärjellä. Älä koskaan käytä moottorisahaa vain yhdellä kädellä! (33)

- Voidaksesi täysin hallita moottorisahaasi sinun on seisottava tukevassa asennossa. Älä koskaan työskentele seisoon tikkailla, puussa tai paikassa, jossa et voi seisoa tukevalla alustalla. (34)
 - Sahaa suurella ketjunopeudella, ts. täydellä kaasulla.
 - Ole erittäin varovainen, kun sahaat terälevyn yläosalla, ts. sahattavan alapuolelta. Tätä kutsutaan työntävällä teräketjulla sahaamiseksi. Teräketju työntää tällöin moottorisahaa taaksepäin käyttäjään päin. Jos teräketju juuttuu kiinni, saattaa moottorisaha lennähtää taaksepäin sinua kohti.
 - Jos käyttäjä ei pidä paina moottorisahaa työntösuuntaa vastaan, on vaara, että moottorisaha työntyy niin kaaus taaksepäin, että terästä osuu puuhun vain takapotkusektori, mistä seuraa takapotku. (35)
- Terälevyn alaosalla sahaamista, ts. sahattavan yläpuolelta sahaamista, kutsutaan vetävällä teräketjulla sahaamiseksi. Tällöin teräketju vetää moottorisahaa puuta kohti ja moottorisahan rungon etureuna tukee luonnollisella tavalla runkoon. Vetävällä teräketjulla sahattaessa käyttäjä pystyy paremmin hallitsemaan moottorisahaa ja näkee paremmin, missä terälevyn takapotkusektori kulloinkin on.
- Noudata terälevyn ja teräketjun viilaus- ja kunnossapito-ohjeita. Sahassa saa käyttää vain suosittelemiamme terälevy- ja teräketjuyhdistelmiä. Katso otsikoiden Terälaite ja Tekniset tiedot alla annetut ohjeet.

Sahausten perustekniikka



VAROITUS! Älä koskaan käytä moottorisahaa pitämällä sitä yhdellä kädellä. Moottorisahaa ei voi hallita turvallisesti yhdellä kädellä. Pidä aina kahvoista molemmin käsin lujalla ja tukevalla otteella.

Yleistä

- Sahaa aina täydellä kaasulla!
- Päästä kaasu joutokäynnille aina sahausten jälkeen (pitkäaikainen käyttö täydellä kaasulla moottoria kuormittamatta, ts. ilman vastusta, jonka moottori sahattaessa saa teräketjun väliyksellä, aiheuttaa vakavan moottorivaurion).
- Sahaus päältä = Sahaus "vetävällä" teräketjulla.
- Sahaus alta = Sahaus "työntävällä" teräketjulla.

Sahaus "työntävällä" teräketjulla lisää takapotkuvaaraa. Katso otsikon Takapotku ehkäisevät toimenpiteet alla annetut ohjeet.

Nimitykset

Katkonta = Puun läpisahausten yleisnimitys.

Karsinta = Oksien katkonta kaadetusta puusta.

Repeäminen = Katkaistava puu repeää poikki, ennen kuin sahaus on lävistänyt sen.

Ennen katkontaa on aina otettava huomioon viisi erittäin tärkeää seikkaa:

- Terälaite ei saa juuttua kiinni sahausrakoon.
- Sahattava puu ei saa revetä.

- Teräketju ei saa osua maahan tai mihinkään esineeseen läpisahausten aikana tai sen jälkeen.
- Onko olemassa takapotkun vaara?
- Voivatko maasto ja ympäristöolosuhteet vaikuttaa siihen, kuinka vakaasti pystyt kävelemään ja seisomaan?

Teräketjun kiinnijuuttuminen tai sahattavan puun repeäminen johtuu kahdesta tekijästä: Miten sahattava puu on tuettu ennen ja jälkeen katkaisun, ja onko sahattava puu jännityksessä.

Edellä mainitut epätoivotut ilmiöt voidaan useimmissa tapauksissa välttää suorittamalla katkonta kahdessa vaiheessa, sekä ylä- että alapuolelta. On pystyttävä estämään sahattavan puun "taipumus" tarttua teräketjuun tai hajelta.

TÄRKEÄÄ! Jos teräketju on juuttunut sahausrakoon: pysäytä moottori! Älä yritä nykäistä moottorisahaa irti. Jos teet niin, voit loukata itsesi teräketjuun, kun moottorisaha yhtäkkiä irtoaa. Käytä väentöruutaa moottorisahan irrottamiseen.

Seuraavassa on annettu teoreettiset toimintaohjeet tavallisimpien moottorisahan käytössä eteen tulevien tilanteiden varalta.

Karsinta

Paksujen oksien karsintaan on sovellettava samaa periaatetta kuin katkontaan.

Katko hankalat oksat osissa.

Katkonta



VAROITUS! Älä yritä koskaan sahata pinossa olevia pöllejä, tai kun useampi pölli on tiiviisti yhdessä. Sellainen menettely lisää dramaattisesti takapotkun vaaraa, josta voi aiheutua vakavia tai hengenvaarallisia vahinkoja.

Jos pöllit ovat pinossa, on jokainen sahattavaksi tarkoitettu pölli otettava pois pinosta, sijoitettava sahapukille tai juoksuttimelle ja katkaistava erikseen. Siirrä katkaistut kappaleet pois, jotta työalue pysyy turvallisena. Jos jätät ne työalueelle, kasvatat sekä vahingossa tapahtuvan takapotkun vaaraa että tasapainosi menettämisen vaaraa työskentelyn aikana.

Tukki on maassa. Vaaraa teräketjun juuttumisesta tai puun repeämisestä ei ole. Vaara, että teräketju osuu maahan läpisahausten jälkeen, on kuitenkin suuri.

Sahaa päältä tukin läpi. Sahaa loppuosa varovasti estääksesi teräketjuja osumasta maahan. Sahaa täydellä kaasulla, mutta ole varuillasi. (36)

Jos mahdollista (= voiko tukkia pyörittää?), sahaa tukin läpimitasta vain 2/3.

Pyöräytä tukkia niin, että loput 1/3 voidaan sahata päältä.

Tukki on tuettu toisesta päästään. Repeämisvaara on suuri.

Sahaa ensin alapuolelta (noin 1/3 tukin läpimitasta).

Sahaa lopuksi päältä tarkasti alasahausten kohdalle.

Tukki on tuettu molemmista päistään. Teräketjun juutumisen vaara on suuri.

Aloita sahaamalla päältä (noin 1/3 tukin läpimitasta).

Sahaa lopuksi alapuolelta tarkasti yläsahauksen kohdalle.

Puunkaatotekniikka

TÄRKEÄÄ! Puun kaatamiseen tarvitaan paljon kokemusta. Kokemattoman moottorisahankäyttäjän ei tule kaataa puita. Älä tee mitään sellaista, mihin et katso taitoisesti riittävän!

Turvaetäisyydet

Kaadettavan puun ja lähimmän työskentelypaikan välille on jätettävä turvaväliksi 2,5 x puun pituus. Varmista, ettei tällä "vaaravyöhykkeellä" ole ketään ennen kaatoa ja sen jälkeen. (37)

Kaatosuunta

Puunkaadossa pyritään puu saamaan sellaiseen paikkaan, että tukin karsinta ja katkenta voidaan tehdä niin "helpossa" maastossa kuin mahdollista. Kävelyn ja seisomisen on oltava turvallista.

Kun olet päättänyt, mihin suuntaan haluat kaataa puun, sinun on arvioitava puun luonnollinen kaatosuunta.

Tähän vaikuttavat:

- Puun kaltevuus
- Puun vääryys
- Tuulen suunta
- Oksisto
- Mahdollinen lumikuorma
- Puun ulottuman alueella olevat esteet: esim. muut puut, voimajohdot, tiet ja rakennukset.
- Tarkasta, onko rungossa vaurioita tai lahoja kohtia, jotka saattavat aiheuttaa puun murtumisen ja ennenaikaisen putoamisen.

Tämän arvioinnin jälkeen saattaa olla pakko kaataa puu luonnolliseen kaatosuuntaansa, koska voi olla mahdollista tai liian vaarallista yrittää kaataa se alupitään suunniteltuun suuntaan.

Toinen hyvin tärkeä tekijä, joka ei vaikuta kaatosuuntaan, mutta kylläkin henkilökohtaiseen turvallisuuteesi, on tarkastaa, ettei puussa ole vaurioituneita tai "kuolleita" oksia, jotka saattavat katketa ja vahingoittaa sinua kaadon aikana.

Ennen kaikkea on vältettävä kaatuvan puun tarttuminen toiseen puuhun. Kiinni kaadetun puun pudottaminen on erittäin vaarallista. Tilanteessa on erittäin suuri onnettomuusvaara. Katso otsikon Epäonnistuneiden kaatojen käsittely alla annetut ohjeet.

TÄRKEÄÄ! Kriittisen kaatovaiheen aikana on kuulonsuojaimet käännettävä ylös heti sauhuksen jälkeen, jotta äänet ja varoitussignaalit voidaan huomioda.

Alaosien karsinta ja väistämistie

Karsi runko hartiatason asti. Turvallisinta on työskennellä ylhäältä alaspäin ja niin, että runko on aina itsesi ja moottorisahan välissä.

Raivaa alakasvillisuus ja huomio mahdolliset esteet (kivet, oksat, kuopat jne.), niin että sinulla on esteetön

väistämistie, kun puu alkaa kaatua. Väistämistie on tehtävä noin 135° takaviistoon puun suunniteltuun kaatosuuntaan nähden. (38)

- 1 Vaaravyöhyke
- 2 Väistämistie
- 3 Kaatosuunta

Kaato



VAROITUS! Kehotamme käyttäjiä, joilla ei ole riittävää pätevyyttä, luopumaan kaadosta, jos terälevyn pituus on pienempi kuin kaadettavan rungon läpimita!

Kaato tehdään kolmella sauhuksella. Ensinnä sahataan kaatolovi, joka käsittää yläsahauksen ja alasahauksen, minkä jälkeen tehdään lopullinen kaato kaatosahauksella. Tekemällä nämä sauhukset oikeisiin kohtiin voidaan puun kaatosuunta ohjata erittäin tarkasti.

Kaatolovi

Kaatoloven sauhaus aloitetaan tekemällä tyveen yläsahaus. Seiso puun oikealla puolella ja sahaa vetävällä teräketjulla.

Sahaa sen jälkeen alasahaus tarkasti yläsahauksen kärkeen. (39)

Kaatoloven syvyyden tulee olla 1/4 rungon läpimitasta ja ylä- ja alasahauksen välisen kulman vähintään 45°.

Ylä- ja alasahauksen kohtaamis pistettä kutsutaan kaatoloviinjaksi. Kaatoloviinjan on oltava tarkasti vaakasuorassa ja muodostettava samalla suora kulma (90°) valittuun kaatosuuntaan nähden. (40)

Kaatosahaus

Kaatosahaus tehdään puun toiselta puolelta ja ehdottomasti vaakasuoraan. Seiso puun vasemmalla puolella ja sahaa vetävällä teräketjulla.

Tee kaatosahaus noin 3-5 cm (1,5-2 tuumaa) vaakasuoraan kaatoloven pohjatason alapuolelle.

Työnnä kuorituki (jos sellainen on asennettu) pitopuun taakse. Sahaa täydellä kaasulla ja työnnä teräketju/terälevy hitaasti puuhun. Ole varuillasi siltä varalta, että puu liikkuu valitun kaatosuunnan päinvastaiseen suuntaan. Pane kaatokiila tai kaatorauta kaatosahausrakoon heti, kun se on riittävän syvä. (41)

Kaatosahauksen on päättyttävä samansuuntaisesti kaatoloviinjan nähden, niin että niiden väliin jää vähintään 1/10 rungon läpimitasta. Lapisahaamatonta rungon osaa kutsutaan pitopuiksi.

Pitopuu toimii saranana, joka ohjaa puun oikeaan kaatosuuntaan. (42)

Puun kaatosuunta ei pysy hallinnassa, jos pitopuu on liian pieni tai jos kaatolovi ja kaatosahaus on tehty väärään paikkaan.

Kun kaatolovi ja kaatosahaus on tehty, on puun kaaduttava itsestään tai kaatokiilan tai kaatoraudan avulla.

Suosittellemme rungon läpimittaa pitemmän terälevyn käyttämistä, jolloin kaatosahaus ja -lovi voidaan tehdä nk. "yksinkertaisella pistosahauksella". Katso luvusta Tekniset tiedot, mitä terälevypituutta suositellaan sinun moottorisahamallillesi.

Käytössä on menetelmiä, joilla voidaan kaataa terälevyn pitiuutta paksumpia puuta. Näitä menetelmiä käytettäessä on erittäin suuri vaara, että terälevyn takapotkusektori osuu johonkin.

Epäonnistuneiden kaatojen käsittely

”Kiinni kaadetun” puun pudottaminen

Kiinni kaadetun puun pudottaminen on erittäin vaarallista. Tilanteessa on erittäin suuri onnettomuusvaara.

Älä yritä koskaan sahata toisen puun alle jäänyttä puuta.

Älä työskentele koskaan toisen puun päälle riippumaan jääneen puun vaara-alueella.

Turvallisin tapa on käyttää vinssiä.

- Traktoriin asennettu
- Siirrettävä

Jännityksessä olevien puiden ja oksien sahaus

Valmistelut: Arvioi, mihin suuntaan jännitys vaikuttaa ja missä katkaisupiste on (ts. se kohta, jossa puu katkeaisi, jos se jännittyisi vielä enemmän).

Päätä, miten parhaiten laukaiset jännityksen ja pystytkö tekemään sen. Erittäin vaikeissa tilanteissa ainoa turvallinen menetelmä on luopua moottorisahan käytöstä ja käyttää vinssiä.

Yleissääntö:

Sijoitu niin, ettei ole vaaraa, että puu/oksa osuu sinuun, kun jännitys laukeaa.

Tee yksi tai useampia sahausviiltoja lähelle katkaisupistettä. Sahaa niin syvälle ja niin monta viiltoa, että puun/oksan jännitys laukeaa ja puu/oksa ”katkeaa” katkaisupisteestä.

Älä koskaan sahaa jännityksessä olevaa puuta kokonaan poikki!

Jos sahaat puun/oksan läpi, tee kaksi tai kolme sahausrakoa 3 cm välein, syvyys 3-5 cm.

Jatka sahaamista syvemmälle kunnes puun/oksan vääntymisen ja jännitys vapautuvat.

Sahaa puu/oksa vastakkaiselta puolelta, kun jännitys on vapautunut.

Takapotkua ehkäisevät toimenpiteet



VAROITUS! Takapotkut voivat olla salamannopeita, yllättäviä ja rajuja ja voivat singota moottorisahan, terälevyn ja teräketjun päin käyttäjää. Jos teräketju pyörii osuessaan käyttäjään, saattaa seurauksena olla erittäin vakava, jopa hengenvaarallinen tapaturma. On tärkeää ymmärtää, mikä aiheuttaa takapotkut ja että ne voidaan välttää varovaisuudella ja oikealla työtekniikalla.

Mikä takapotku on?

Takapotkuksi kutsutaan äkillistä ilmiötä, jossa moottorisaha ja terälevy sinkoutuvat esineestä, johon terälevyn kärjen ylin neljännes, nk. takapotkusektori, on osunut. (43)

Takapotkut suuntautuvat aina terätason suuntaan. Tavallisimmin moottorisaha ja terälevy sinkoutuvat ylös taaksepäin käyttäjää kohti. Kuitenkin takapotku voi suuntautua myös muihin suuntiin riippuen siitä, missä asennossa moottorisaha on sillä hetkellä, kun terälevyn takapotkusektori osuu esineeseen.

Takapotku voi tapahtua vain, kun terälevyn takapotkusektori osuu johonkin esineeseen. (44)

Karsinta



VAROITUS! Useimmat takapotkuonnettomuudet sattuvat karsinnassa. Älä käytä terälevyn takapotkusektoria. Ole äärimmäisen varovainen ja vältä terälevyn kärjen osumista pölliin, muihin oksiin tai esineisiin. Ole äärimmäisen varovainen jännitteessä olevien oksien kohdalla. Ne voivat joustaa takaisin sinuun päin ja aiheuttaa kontrollin menettämisen, jolloin seurauksena voi olla vahinkoja.

Varmista, että voit liikkua ja seisoa turvallisesti! Seiso rungon vasemmalla puolella. Ole mahdollisimman lähellä moottorisahaa voidaksesi hallita sitä mahdollisimman hyvin. Aina kun mahdollista tulee sahan painon antaa levätä runkoa vasten.

Siirry vain silloin, kun runko on sinun ja moottorisahan välissä.

Rungon katkenta

Katso otsikon Sahauksen perustekniikka alla annetut ohjeet.

Yleistä

Käyttäjää saa tehdä ainoastaan sellaisia huolto- ja kunnostustehtäviä, jotka on kuvattu tässä käyttöohjeessa. Laajemmat toimenpiteet tulee antaa valtuutetun huoltokorjaamon tehtäväksi.

Kaasuttimen säätö

Jonsered-tuotteesi on suunniteltu ja valmistettu niin, että se vähentää haitallisia pakokaasuja.

Toiminta

- Kaasutin ohjaa kaasuliipasimen välityksellä moottorin pyörimisnopeutta. Kaasuttimessa ilma ja polttoaine sekoittuvat keskenään. Tätä ilmaa ja polttoainetta seosta voidaan säätää. Jotta koneen suurin teho saataisiin hyödynnetyksi, säädön on oltava oikea.
- T-ruuvi säätölee kaasuläpän perusasentoa joutokäynnillä. Kiertämällä T-ruuvia myötäpäivään saadaan suurempi joutokäyntinopeus ja kiertämällä sitä vastapäivään saadaan hitaampi joutokäyntinopeus.

Perussäätö ja sisäänajo

Kaasuttimelle tehdään perussäätö tehtaalla koekäytön yhteydessä. Hienosäätö on annettava pätevän henkilön suorittavaksi.

Suosittelua joutokäyntinopeus: Katso luku Tekniset tiedot.

Joutokäynnin hienosäätö T

Joutokäynnin säätö suoritetaan ruuvilla, joka on merkitty T-kirjaimella. Jos säätö on tarpeen, kierrä T-ruuvia myötäpäivään moottorin käydessä, kunnes ketju alkaa pyöriä. Kierrä T-ruuvia sen jälkeen vastapäivään, kunnes ketju pysähtyy. Joutokäyntipyörimisnopeus on oikea, kun moottori käy tasaisesti kaikissa asennoissa ja säädössä on hyvä marginaali siihen kierrosluukuun, jolla ketju alkaa pyöriä.



VAROITUS! Jos joutokäyntiä ei voi säätää niin, ettei ketju pyöri, ota yhteys huoltoliikkeeseen. Älä käytä moottorisahaa, ennen kuin se on säädetty oikein tai korjattu.

Moottorisahan turvalaitteiden tarkastus, kunnossapito ja huolto

Huom! Kaikki koneen huolto- ja korjaustyöt vaativat erikoiskoulutusta. Tämä koskee erityisesti koneen turvalaitteita. Jos koneessa havaitaan puutteita alla luetelluissa tarkastuksissa, suosittelemme että otat yhteyttä huoltoliikkeeseen. Kaikki muu kuin tässä kirjassa mainittu kunnossapito on annettava huoltoliikkeen (jälleenmyyjän) suorittavaksi.

Pysäytä moottori ja irrota sytytyskaapeli ennen korjausta tai huoltoa

Takapotkusuojuksella varustettu ketjujarru

Jarruhinnan kuluneisuuden tarkastus

Puhdista ketjujarru ja kytinrumpu sahanpurusta, piikasta ja liasta. Lika ja kuluminen vaikuttavat jarrun toimintaan. (45)

Tarkasta säännöllisesti, että jarruhinnan paksuus sen kuluneimmassa kohdassa on vähintään 0,6 mm.

Takapotkusuojuksen tarkastus

Tarkasta, että takapotkusuojus on ehjä eikä siinä ole näkyviä vikoja, esim. materiaalihalkeamia.

Siirrä takapotkusuojusta edestakaisin tarkastaaksesi, että se liikkuu kevyesti ja että se on tukevasti kiinni nivelessään kytkinkotelossa. (46)

Automaattisen pysäytystoiminnon tarkastus

Pidä moottorisahaa, moottori sammutettuna, kannon tai muun kiinteän esineen päällä. Irrota ote etukahvasta ja anna moottorisahan pyöriä takakahvan ympäri omalla painollaan alas kantoa kohden.

Kun terälevyn kärki osuu kantoon, on jarrun lauettava. (47)

Jarrutustehon tarkastus

Aseta moottorisaha tukevalle alustalle ja käynnistä se. Varmista, että teräketju ei pääse osumaan maahan tai mihinkään esineeseen. Katso ohjeet otsikon Käynnistys ja pysäytys alla annetut ohjeet.

Pidä moottorisahasta tukevalla otteella peukalot ja sormet kierrettyinä kahvojen ympärillä.

Anna täyskaasu ja laukaise ketjujarru kääntämällä vasen ranne takapotkusuojusta vasten. Älä päästä otetta irti etukahvasta. **Ketjun on pysähdyttävä välittömästi.**

Kaasuliipasimen varmistin

- Tarkasta, että kaasuliipasin on lukittu joutokäyntiasentoon, kun kaasuliipasimen varmistin on lähtöasennossaan.
- Paina varmistin sisään ja tarkasta, että se palautuu lähtöasentoonsa, kun se vapautetaan.
- Tarkasta, että kaasuliipasin ja varmistin liikkuvat kevyesti ja että niiden palautusjouset toimivat.
- Käynnistä moottorisaha ja anna täyskaasu. Vapauta kaasuliipasin ja tarkasta, että ketju pysähtyy ja pysyy liikkumattomana. Jos ketju pyörii, kun kaasuliipasin on joutokäyntiasennossa, on kaasuttimen joutokäyntisäätö tarkastettava.

Ketjusieppo

Tarkasta, että ketjusieppo on ehjä ja että se on kiinni moottorisahan rungossa.

Rystyssuojus

Tarkasta, että rystyssuojus on ehjä ja ettei siinä ole näkyviä vikoja, esim. halkeamia.

Tärinänvaimennus

Tarkasta säännöllisesti, ettei vaimentimissa ole halkeamia tai vääntymiä.

Tarkasta, että vaimentimet ovat tukevasti kiinni moottoriryksikön ja kahvaosan välissä.

Pysäytin

Käynnistä moottori ja tarkasta, että moottori pysähtyy, kun pysäytin siirretään pysäytysasentoon.

Äänenvaimennin

Älä koskaan käytä konetta, jonka äänenvaimennin on rikki. Tarkasta säännöllisesti, että äänenvaimennin on kunnolla kiinni koneessa.

Huom! Tämän koneen kipinänsammutusverkko (A) voidaan vaihtaa. **(48)** Jos verkko on vioittunut, se on vaihdettava. Tukkeutunut verkko aiheuttaa moottorin ylikuumenemisen, mistä seuraa sylinteri- ja mäntävaurioita. Älä koskaan käytä konetta, jonka äänenvaimennin on huonossa kunnossa. **Älä koskaan käytä äänenvaimenninta ilman kipinänsammutusverkkoa, tai jos kipinänsammutusverkko on rikki.**

Normaalissa kotikäytössä äänenvaimentajaa ja kipinänsammutusverkkoa ei tarvitse vaihtaa.

Ilmansuodatin

Puhdistamalla ilmansuodatin säännöllisesti pölystä ja liasta vältetään seuraavat ongelmat:

- Kaasutinhäiriöt
- Käynnistysongelmat
- Tehon heikkeneminen
- Moottorin osien turha kuluminen.
- Epätavallisen korkea polttoaineenkulutus.
- Ilmansuodatin (3) irrotetaan, kun sylinterikotelo, ruuvi (1) ja ilmansuodattimen kotelo (2) on otettu pois. Varmista takaisin asennettaessa, että ilmansuodatin asettuu ee täysin tiiviisti suodattimen pidintä vasten. Ravitele tai harjaa suodatin puhtaaksi. **(49)**

Perinpohjaisempi puhdistus tehdään pesemällä ilmansuodatin saippuavedessä.

Pitkään käytössä ollut ilmansuodatinta ei saa koskaan täysin puhtaaksi. Siksi ilmansuodatin on vaihdettava säännöllisin väliajoin. **Vaurioitunut ilmansuodatin on aina vaihdettava.**

Sytytystulppa

Sytytystulpan kuntoa heikentävät:

- Väärin säädetty kaasutin.
- Polttoaineen öljymäärä virheellinen (liian paljon tai väärää öljyä).
- Likainen ilmansuodatin.

Nämä tekijät aiheuttavat sytytystulpan kärkeen karstoittumisen, mistä voi seurata käyntihäiriöitä ja käynnistysongelmia.

Jos koneen teho on heikko, jos sitä on vaikea käynnistää, tai jos joutokäynti on levotonta: tarkasta aina ennen muita toimenpiteitä sytytystulppa. Jos sytytystulppa on karstoittunut, puhdista se ja tarkasta samalla, että kärkiväli on 0,5 mm. Sytytystulppa on vaihdettava suunnilleen kuukauden käytön jälkeen, tarvittaessa aikaisemmin. **(50)**

Huom! Käytä aina suositeltua sytytystulppaa! Väärä sytytystulppa voi tuhota männän/sylinterin. Varmista, että sytytystulppa on varustettu nk. radiohäiriöiden poistolla.

Huoltokaavio

Seuraavassa on esitetty luettelo koneelle suoritettavista huoltotoimista. Useimmat kohdista on kuvattu kappaleessa Huolto.

Päivittäiset toimenpiteet (5-10 t välein)	Viikoittaiset toimenpiteet (10-25 t välein)	Kuukausittaiset toimenpiteet (25-40 t välein)
Puhdista kone ulkopuolelta.	Tarkasta käynnistinlaite, käynnistysnaru ja palautusjousi.	Tarkasta ketjujarrun jarruhihnan kuluminen. Vaihda, kun kuluneimman kohdan paksuus on alle 0,6 mm.
Tarkasta, että kaasuliipasimen osat (liipasin ja varmistin) ovat turvallisessa käyttökunnossa.	Tarkasta, etteivät tärinävaimentimet ole vioittuneet.	Tarkasta kytkinneskiön, kytkinrummun ja kytkinjousen kuluminen.
Puhdista ketjujarru ja tarkasta, että se toimii turvallisesti. Tarkasta, että ketjusieppo on ehjä, vaihda tarvittaessa.	Viilaa mahdollinen kierre pois terälevyn sivuilta.	Puhdista sytytysluppa. Tarkasta, että kärkiväli on 0,5 mm.
Terälevy on käännettävä päivittäin, jotta se kuluu tasaisesti. Tarkasta, että terälevyn voitelureikä ei ole tukossa. Puhdista ketjun ohjausura. Jos terälevyssä on kärkipyörä, voitele se.	Puhdista kaasuttimen tila.	Puhdista kaasuttimen ulkopuoli.
Tarkasta, että terälevy ja ketju saavat riittävästi öljyä.	Puhdista ilmansuodatin. Vaihda tarvittaessa.	Tarkasta polttoainesuodatin ja polttoaineletku. Vaihda tarvittaessa.
Tarkasta, ettei teräketjun niiteissä tai lenkeissä ole näkyviä halkeamia, ettei teräketju ole jäykkä tai etteivät niitit ja lenkit ole epänormaalisti kuluneet. Vaihda tarvittaessa.		Tyhjennä polttoainesäiliö ja puhdista se sisäpuolelta.
Teroita ketju ja tarkasta sen kireys ja kunto. Tarkasta, ettei ketjupyörä ole epätavallisen kulunut, vaihda tarvittaessa.		Tyhjennä öljysäiliö ja puhdista se sisäpuolelta.
Puhdista käynnistimen ilmanottoaukot.		Tarkasta kaikki kaapelit ja liitännät.
Tarkasta, että ruuvit ja mutterit ovat kireällä.		
Tarkasta, että pysäytin toimii.		
Tarkasta, ettei moottorissa, säiliössä tai polttoaineputkissa ole vuotoja.		

Tekniset tiedot

	CS 2234	CS 2238
Moottori		
Sylinteritilavuus, cm ³	38	38
Iskunpituus, mm	32	32
Joutokäyntinopeus, r/min	3000	3000
Teho, kW	1,4/9000	1,5/9000
Sytytysjärjestelmä		
Sytytysjärjestelmän valmistaja	RE Phelon	RE Phelon
Sytytysjärjestelmän tyyppi	CD	CD
Sytytystulppa	Champion RCJ 7Y	Champion RCJ 7Y
Kärkiväli, mm	0,5	0,5
Polttoaine-/voitelujärjestelmä		
Polttoainesäiliön tilavuus, litraa	0,3	0,3
Öljypumpun tuotto/8 500 r/min, ml/min	7	7
Öljysäiliön tilavuus, litraa	0,19	0,19
Öljypumpun tyyppi	Automaattinen	Automaattinen
Paino		
Moottorisaha ilman terälaitetta ja säiliöt tyhjinä, kg	4,7	4,7
Melupäästöt (ks. huom. 1)		
Äänentehotaso, mitattu dB(A)	115	115
Äänentehotaso, taattu L _{WA} dB(A)	118	118
Äänitasot (ks. huom. 2)		
Ekvivalentti äänenpainetaso käyttäjän korvaan, dB (A)	100,6	100,6
Vastaavat tärinätasot, a_{hveq} (ks. huom. 3)		
Etukahva, m/s ²	3,7	3,7
Takakahva, m/s ²	5,1	5,1
Ketju/terälevy		
Vakio terälevypituus, tuumaa/cm	14/35, 16/40	14/35, 16/40
Suosittelavat terälevypituudet, tuumaa/cm	14/35, 16/40	14/35, 16/40
Tehokas leikkuupituus, tuumaa/cm	13,5/34, 15,5/39	13,5/34, 15,5/39
Jako, tuumaa/mm	3/8 / 9,52	3/8 / 9,52
Vetolenkin vahvuus, tuumaa/mm	0,050/1,3	0,050/1,3
Ketjupyörän tyyppi/hampaiden lkm	6	6
Ketjunopeus maks.teholla, m/sek	17,1	17,1

Huom. 1: Melupäästö ympäristöön äänentehona (L_{WA}) EY-direktiivin 2000/14/EG mukaisesti mitattuna.


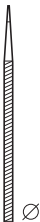

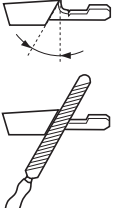

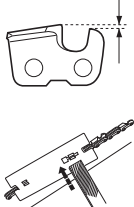
Huom. 2: Standardin ISO 22868 mukainen ekvivalentti äänenpainetaso lasketaan eri äänenpainetasojen aikapainotteisena energiasummana eri käyttötiloissa. Tyypillinen ekvivalentin äänenpainetason tilastollinen hajonta on 1 dB:n (A) vakiopoitkeama.

Huom. 3: Standardin ISO 22867 mukainen ekvivalentti tärinätaso lasketaan tärinätasojen aikapainotteisena energiasummana eri käyttötiloissa. Ilmoitetuilla tiedoilla ekvivalentista tärinätasosta tyypillinen tilastollinen hajonta (vakiopoitkeama) on 1 m/s².

Terälevy- ja ketjuyhdistelmät

Seuraavat terälaitteet on hyväksytty Jonsered-malleille CS 2234 ja CS 2238.

Terälevy				Teräketju	
Pituus, tuumaa	Jako, tuumaa	Ohjauksuran leveys, mm	Kärkipyörän hampaiden maks. lkm	Tyyppi	Pituus, vetolenkit (kpl)
14	3/8	1,3	7T	Jonsered H37	52
16	3/8		7T		56
18	3/8		7T		62

					
	inch/mm				inch/mm
H37	5/32/4,0	80°	30°	0°	0.025/0,65

EY-vaatimustenmukaisuusvakuutus

(Koskee ainoastaan Eurooppaa)

Husqvarna AB, SE-561 82 Huskvarna, Ruotsi, puh: +46-36-146500, vakuuttaa täten, että moottorisahat **Jonsered CS 2234 ja CS 2238** alkaen vuoden 2007 sarjanumeroista (vuosi on ilmoitettu arvokilvessä ennen sarjanumeroa) on valmistettu noudattaen seuraavaa NEUVOSTON DIREKTIIVIÄ:

- 17. toukokuuta 2006 "koskien koneita" **2006/42/EY**
- 15. joulukuuta 2004 "sähkömagneettista yhteensopivuutta koskeva" direktiivi **2004/108/EEC**.
- 8. toukokuuta 2000 "koskien melupäästöä ympäristöön" **2000/14/EG**.

Katso melupäästöjä koskevat tiedot luvusta Tekniset tiedot. Seuraavia standardeja on sovellettu: **EN ISO 12100-2:2003, CISPR 12:2001, EN ISO 11681-1:2004**

Ilmoitettu elin: **0404, SMP Svensk Maskinprovning AB**, Fyrisborgsgatan 3, SE-754 50 Uppsala, Ruotsi, on suorittanut EY-tyyppitarkastuksen konedirektiivin (2006/42/EY) artiklan 12, kohdan 3b mukaisesti. Liitteen IX mukainen EY-tyyppitarkastuksen todistusten numerot ovat: **0404/09/2048**.

Lisäksi SMP, Svensk Maskinprovning AB, Fyrisborgsgatan 3, SE-754 50 Uppsala, Ruotsi, on todistanut vaatimustenmukaisuuden 8. toukokuuta 2000 annetun neuvoston direktiivin liitteen V "koskien melupäästöä ympäristöön" 2000/14/EG kanssa. Sertifikaattien numerot ovat: **26/161/003 - CS 2238, 26/161/004 - CS 2238**.

Toimitettu moottorisaha vastaa EY-tyyppitarkastettua sahaa.

Huskvarna 29. joulukuuta 2009



Ronnie E. Goldman, Suunnittelupäällikkö. (Husqvarna AB:n valtuutettu ja teknisestä dokumentaatiosta vastaava edustaja)

Til vore kunder!

Til lykke med dit Jonsered-produkt!

Vi er overbeviste om, at du vil komme til at sætte pris på vores produkts kvalitet og ydeevne i lang tid fremover. Når du køber vores produkter, får du samtidig adgang til professionel hjælp med reparationer og service, hvis der skulle ske noget. Hvis du ikke har købt maskinen hos en af vores autoriserede forhandlere, skal du spørge efter nærmeste serviceværksted.

Vi håber, at du vil blive tilfreds med din maskine, og at den bliver din ledsager i lang tid fremover. Husk, at denne brugsanvisning er et værdifuldt dokument. Ved at følge brugsanvisningen (brug, service, vedligeholdelse osv.) kan du forlænge maskinens levetid væsentligt og endda forøge dens værdi ved videresalg. Hvis du sælger din maskine, skal du huske at overdrage brugsanvisningen til den nye ejer.

Held og lykke med dit Jonsered-produkt!

Jonsered forsøger hele tiden at videreudvikle sine produkter og forbeholder sig derfor ret til ændringer af bl.a. form og udseende uden forudgående varsel.

Symboler p maskinen:

ADVARSEL! Motorsave kan være farlige! Skødesløs eller forkert brug kan resultere i alvorlige skader eller medføre døden for brugeren eller andre.

Læs brugsanvisningen omhyggeligt igennem og forstå indholdet, inden du bruger maskinen.

Brug altid:

- Godkendt beskyttelseshjelm
- Godkendt hørevern
- Beskyttelsesbriller eller ansigtsværn

Dette produkt er i overensstemmelse med gældende CE-direktiv.

Støjemissioner til omgivelserne i henhold til EF-direktiv. Maskinens emission fremgår af kapitlet Tekniske data og af en mærkat.

Operatøren skal bruge begge hænder til at håndtere motorsaven.

Anvend aldrig en motorsav med én hånd.

Undgå, at sværdspidsen kommer i kontakt med andre genstande.

ADVARSEL! Der kan opstå kast, hvis sværdspidsen kommer i kontakt med genstande og forårsager en reaktion, så sværdet kastes opad og tilbage mod brugeren. Dette kan medføre alvorlig personskade.

Kædebremse, aktiveret (venstre) Kædebremse, ikke aktiveret (højre)



Andre symboler/etiketter på maskinen gælder specifikke krav for certificering på visse markeder.

Hvad er hvad på motorsaven? (1)

- 1 Informations- og advarselmærkat
- 2 Cylinderdæksel
- 3 Brændstofpumpe
- 4 Starthåndtag
- 5 Choker/Startgaslås
- 6 Stopkontakt. (Til at tænde og slukke for tændingen.)
- 7 Bageste håndtag
- 8 Brændstoftank
- 9 Justeringsskrue karburator
- 10 Startaggregat
- 11 Kædeolietank
- 12 Produkt- og serienummerskilt
- 13 Gasreguleringslås (Forhindrer uhensigtsmæssig gas.)
- 14 Forreste håndtag
- 15 Kastbeskyttelse
- 16 Lyddæmper
- 17 Savsværd
- 18 Næsehjul
- 19 Savkæde
- 20 Barkstøtte
- 21 Kædefanger
- 22 Kædestrammerskrue
- 23 Koblingsdæksel
- 24 Bageste håndtag med højrehåndsbeskyttelse
- 25 Gasregulering
- 26 Brugsanvisning
- 27 Kombinøgle
- 28 Sværdbeskyttelse

Indhold

INDLEDNING	
Til vore kunder!	85
Symboler på maskinen:	85
Hvad er hvad på motorsaven?	86
INDHOLD	
Indhold	86
GENERELLE SIKKERHEDSINSTRUKTIONER	
Forberedelser, inden en ny motorsav tages i brug	87
Vigtigt	87
Brug altid din sunde fornuft.	87
Personligt beskyttelsesudstyr	88
Maskinens sikkerhedsudstyr	88
Skæreudstyr	89
MONTERING	
Montering af sværd og kæde	93
BRÆNDSTOFHÅNDBOG	
Drivmiddel	93
Tankning	94
Brændstofsikkerhed	94
START OG STOP	
Start og stop	95
ARBEJDSSTYRE	
Før hver anvendelse:	96
Generelle arbejdsinstruktioner	96
Kastforebyggende foranstaltninger	99
VEDLIGEHOLDELSE	
Generelt	100
Karburatorjustering	100
Kontrol, vedligeholdelse og service af motorsavens sikkerhedsudstyr	100
Lyddæmper	101
Luftfilter	101
Tændrør	101
Vedligeholdelsesskema	102
TEKNISKE DATA	
Tekniske data	103
Sværd- og kædekombinationer	104
EF-overensstemmelseserklæring	104

Forberedelser, inden en ny motorsav tages i brug

- Læs brugsanvisningen omhyggeligt igennem.
- **(1) - (50)** henviser til illustrationer på side 2-5.
- Kontrollér skæreudstyrets montering og justering. Se instruktionerne i afsnittet Montering.
- Tank motorsaven op, og begynd. Se anvisningerne i afsnittene Brændstofhåndtering og Start og stop.
- Brug ikke motorsaven, før en tilstrækkelig mængde kædesmøreolie har nået savkæden. Se instruktionerne i afsnittet Smøring af skæreudstyr.
- Langvarig eksponering for støj kan medføre permanente høreskader. Brug derfor altid godkendt høreværn.



ADVARSEL! Maskinens oprindelige udformning må under ingen omstændigheder ændres uden producentens samtykke. Brug altid originaltilbehør. Ikke-autoriserede ændringer og/eller ikke-godkendt tilbehør kan medføre alvorlige skader eller døden for brugeren eller andre.



ADVARSEL! En motorsav kan være et farligt redskab, som kan forårsage alvorlige, ja endog livsfarlige skader, hvis den bruges forkert eller uforsigtigt. Det er meget vigtigt, at du læser og forstår indholdet i denne brugsanvisning.



ADVARSEL! Lyddæmperen indeholder kemikalier, som kan være kræftfremkaldende. Undgå kontakt med disse elementer, hvis lyddæmperen bliver beskadiget.



ADVARSEL! Langvarig indånding af motorens udstødningsgas, kædeolietåge og støv fra savspåner kan være sundhedsskadelig.



ADVARSEL! Denne maskine skaber et elektromagnetisk felt under brug. Dette felt kan i nogle tilfælde påvirke aktive eller passive medicinske implantater. For at reducere risikoen for alvorlige eller dødbringende skader anbefaler vi, at personer med medicinske implantater kontakter deres læge og producenten af det medicinske implantat, før de tager maskinen i brug.

Vigtigt

VIGTIGT!

Maskinen er kun konstrueret til savning i træ.

Brug kun det sværd/den savkædekombination, der er anbefalet i afsnittet Tekniske data.

Brug aldrig maskinen, hvis du er træt, hvis du har drukket alkohol, eller hvis du tager medicin, som kan påvirke dit syn, dit overblik eller din kropskontrol.

Brug personligt beskyttelsesudstyr. Se instruktionerne i afsnittet Personligt beskyttelsesudstyr.

Foretag aldrig ændringer på maskinen, så den ikke længere svarer til originaludførelsen, og undlad at bruge maskinen, hvis den ser ud til at være blevet ændret af andre.

Brug aldrig en maskine, som er behæftet med fejl. Følg vedligeholdelses-, kontrol- og serviceinstruktionerne i denne brugsanvisning. Visse vedligeholdelses- og serviceforanstaltninger må kun udføres af erfarne og kvalificerede specialister. Se instruktionerne i afsnittet Vedligeholdelse.

Brug aldrig andet tilbehør end det, som er anbefalet i denne brugsanvisning. Se instruktionerne i afsnittene Skæreudstyr og Tekniske data.

BEMÆRK! Anvend altid sikkerhedsbriller og ansigtssvævn for at reducere risikoen for skader fra genstande, der slynges ud. En motorsav kan slynge genstande såsom savspåner, små træstykker etc. ud med stor kraft. Dette kan medføre alvorlig skade, især på øjnene.



ADVARSEL! At køre en motor i et lukket eller dårligt udluftet rum kan medføre døden som følge af kvælning eller kuliiteforgiftning.



ADVARSEL! Forkert skæreudstyr eller et forkert sværd/en forkert kædekombination øger risikoen for kast! Brug kun det sværd/den savkædekombination, der er anbefalet, og følg filningsanvisningerne. Se anvisningerne i afsnittet Tekniske data.

Brug altid din sunde fornuft. (2)

Det er ikke muligt at tage højde for alle de situationer, der kan tænkes at komme ud for, når du bruger en motorsav. Udvis derfor altid forsigtighed, og brug din sunde fornuft. Undgå situationer, som du ikke synes, du er tilstrækkeligt kvalificeret til. Hvis du stadig føler dig usikker med hensyn til fremgangsmåden, efter at du har læst disse anvisninger, skal du kontakte en ekspert, før du fortsætter. Du er velkommen til at kontakte din forhandler eller os, hvis du har spørgsmål til brugen af motorsaven. Vi står altid til disposition og giver gerne gode råd, som kan hjælpe dig med at anvende motorsaven på en bedre og mere sikker måde. Du kan også tage et kursus i brug af motorsav. Din forhandler, skovbrugsskolen eller det lokale bibliotek kan give dig yderligere oplysninger om tilgængelige kurser og kursusmaterialer. Der udføres løbende arbejde med henblik på at forbedre design og teknik - forbedringer, som øger sikkerheden og effektiviteten. Besøg din forhandler jævnligt for at se de nyheder, som du kan få glæde af.

Personligt beskyttelsesudstyr



ADVARSEL! De fleste ulykker med motorsave sker, når savkæden rammer brugeren. Ved enhver anvendelse af maskinen skal der bruges godkendt personligt beskyttelsesudstyr. Det personlige beskyttelsesudstyr udelukker ikke risikoen for skader, men det mindsker effekten af en skade ved en ulykke. Bed din forhandler om hjælp ved valg af udstyr.

- Godkendt beskyttelseshjelm
- Høreværn
- Beskyttelsesbriller eller ansigtsværn
- Handsker med gennemsavningsbeskyttelse
- Bukser med gennemsavningsbeskyttelse
- Støvler med gennemsavningsbeskyttelse, stålnereser og skridsikre såler
- Forbindingskasse skal altid findes i nærheden.
- Brandslukker og spade

Beklædningen bør i øvrigt være tætsiddende, dog uden at hæmme din bevægelsesfrihed.

VIGTIGT! Der kan komme gnister ud af lyd-dæmperen, sværdet, kæden og andre kilder. Hav altid værktøj til brandslukning inden for rækkevidde, når du bruger saven. På den måde er du med til at forebygge skovbrand.

Maskinens sikkerhedsudstyr

I dette afsnit kan du læse om maskinens sikkerhedsdele og deres funktion. Du kan finde oplysninger om kontrol og vedligeholdelse i afsnittet Kontrol, vedligeholdelse og service af motorsavens sikkerhedsudstyr. Se anvisningerne i afsnittet Hvad er hvad? for at se, hvor disse dele sidder på din maskine.

Maskinens levetid kan forkortes, og risikoen for ulykker kan øges, hvis maskinen ikke vedligeholdes korrekt, og hvis service og/eller reparation ikke udføres fagligt korrekt. Hvis du har brug for yderligere oplysninger, kan du kontakte nærmeste serviceværksted.



ADVARSEL! Brug aldrig en maskine med defekt sikkerhedsudstyr. Sikkerhedsudstyret skal kontrolleres og vedligeholdes. Se anvisningerne i afsnittet Kontrol, vedligeholdelse og service af motorsavens sikkerhedsudstyr. Hvis maskinen ikke klarer alle kontroller, skal du kontakte serviceværkstedet for at få den repareret.

Kædebremse med kastbeskyttelse

Motorsaven er forsynet med en kædebremse, der er konstrueret til at standse savkæden i tilfælde af kast. En kædebremse reducerer risikoen for ulykker, men det er kun dig som bruger, der kan forhindre dem.

Vær forsigtig ved anvendelse, og sørg for, at sværdets kasterisikoområde aldrig kommer i kontakt med et objekt.

- Kædebremsen (A) aktiveres enten manuelt (med venstre hånd) eller ved hjælp af træghedsfunktionen. (3)

- Kastbeskyttelsen (B) aktiveres, når den føres fremad. (3)
- Denne bevægelse aktiverer en fjederspændt mekanisme, som spænder bremsebåndet (C) rundt om motorens kædedrivesystem (D) (koblingstromlen). (4)
- Kastbeskyttelsen er ikke kun konstrueret med henblik på en aktivering af kædebremsen. En anden meget vigtig funktion er, at den reducerer risikoen for, at venstre hånd skal ramme savkæden, hvis man mister grebet om det forreste håndtag.
- Kædebremsen skal være aktiveret, når motorsaven startes, så kæden ikke roterer.
- Brug kædebremsen som 'parkeringsbremse', når du starter saven eller flytter den over kortere afstand, så der ikke opstår ulykker, hvor brugeren og omgivelserne kan komme i kontakt med savkæden, mens den kører.
- Kædebremsen frikobles ved at kastbeskyttelsen føres bagud, mod det forreste håndtag.
- Kast kan være lynhurtige og meget voldsomme. De fleste kast er små og resulterer ikke altid i, at kædebremsen aktiveres. Ved sådanne kast gælder det om at holde motorsaven i et fast greb og ikke slippe det.
- Om kædebremsen aktiveres manuelt eller via træghedsfunktionen, bestemmes af, hvor voldsomt kastet er, samt hvor motorsaven befinder sig i forhold til det objekt, sværdets kasterisikoområde er kommet i kontakt med.

Ved voldsomme kast og i tilfælde, hvor sværdet kasterisikoområde befinder sig så langt væk fra brugeren som muligt, aktiveres kædebremsen af via kædebremsens modvægt (træghed) i kastretningen.

Ved mindre voldsomme kast eller i arbejdssituationer, hvor kasterisikoområdet befinder sig nærmere brugeren, aktiveres kædebremsen manuelt via venstre hånd.

- Når motorsaven er i fældstilling, er venstre hånd anbragt, så du ikke kan aktivere kædebremsen manuelt. Når du bruger dette greb, dvs. når venstre hånd er placeret, så den ikke kan påvirke kastbeskyttelsens bevægelse, kan kædebremsen kun aktiveres via træghedsfunktionen.

Vil min hånd altid aktivere kædebremsen i tilfælde af kast?

Nej. Der kræves en vis kraft for at føre kastbeskyttelsen fremad. Hvis din hånd kun lige rører ved kastbeskyttelsen eller glider hen over den, er det muligvis ikke tilstrækkeligt til at udløse kædebremsen. Du skal altid holde godt fast om motorsavens håndtag, når du arbejder. Hvis du gør det og oplever et kast, slipper du muligvis aldrig hånden om det forreste håndtag og aktiverer dermed ikke kædebremsen, eller også aktiveres kædebremsen først, når saven har kørt rundt et stykke tid. I en sådan situation kan det forekomme, at kædebremsen ikke kan stoppe kæden, før den rammer dig.

Der forekommer også visse arbejdsstillinger, som gør, at din hånd ikke kan nå kastbeskyttelsen og dermed aktivere kædebremsen, for eksempel når saven holdes i fældstilling.

Vil træghedsaktivering af kædebremsen altid forekomme, hvis der indtræder et kast?

Nej. For det første skal bremsen fungere. Det er let at teste bremsen; se anvisningerne under afsnittet Kontrol, vedligeholdelse og service af motorsavens sikkerhedsudstyr. Vi anbefaler, at du gør dette, før du begynder hver arbejdsopgave. For det andet skal kastet være tilstrækkeligt kraftigt til at aktivere kædebremsen. Hvis kædebremsen er for følsom, aktiveres den konstant, hvilket besværer arbejdet.

Beskytter kædebremsen mig konstant mod skader i tilfælde af kast?

Nej. For det første skal bremsen fungere for at give den tilsigtede beskyttelse. For det andet skal bremsen aktiveres som beskrevet ovenfor, så savkæden standses i tilfælde af kast. For det tredje kan kædebremsen aktiveres, men hvis sværdet befinder sig for tæt på dig, kan det forekomme, at bremsen ikke tager farten af kæden og standser den, før motorsaven rammer dig.

Det er kun dig, der kan eliminere kast og tilsvarende risici ved at anvende en korrekt arbejdsteknik.

Gasreguleringslås

Gasreguleringslåsen er beregnet til at forhindre ufrivillig aktivering af gasreguleringen. Når du trykker låsen (A) ned i håndtaget (= når du holder om håndtaget), frigøres gasreguleringen (B). Når du slipper grebet om håndtaget, stilles både gasreguleringen og gasreguleringslåsen tilbage til deres udgangspositioner. I udgangspositionen låses gasreguleringen automatisk i tomgang. (5)

Kædefanger

Kædefangeren er konstrueret til at opfange en afhoppet eller knækket kæde. Disse hændelser undgås i de fleste tilfælde ved en korrekt kædespænding (se instruktionerne i afsnittet Montering) samt en korrekt vedligeholdelse og service af sværd og kæde (se instruktionerne i afsnittet Generelle arbejdsinstruktioner).

Højrehandsbeskyttelse

Højrehandsbeskyttelsen skal ud over at beskytte hånden ved et kædeafhob, eller når en kæde knækker, sørge for at grene eller kviste ikke påvirker grebet om det bageste håndtag.

Vibrationsdæmpningssystem

Din maskine er udstyret med et vibrationsdæmpningssystem, som er konstrueret med henblik på at give en så vibrationsfri og behagelig brug som muligt.

Maskinens vibrationsdæmpningssystem reducerer overførselen af vibrationer mellem motorenheden/ skæreudstyret og maskinens håndtagsenhed. Motorsavens krop, inklusive skæreudstyr, hænger i håndtagsenheden via de såkaldte vibrationsdæmpningselementer.

Savning i en hård træsort (de fleste løvtræer) giver flere vibrationer end savning i en blød træsort (de fleste nåletræer). Savning med sløvt eller forkert skæreudstyr (forkert type eller forkert file) øger vibrationsniveauet.



ADVARSEL! Overeksponering af vibrationer kan medføre kredsløbsforstyrrelser eller skader på nervesystemet hos personer med kredsløbsforstyrrelser. Hvis du oplever fysiske symptomer, som kan relateres til overeksponering af vibrationer, skal du straks søge læge. Som eksempler på sådanne symptomer kan nævnes følelsesløshed, mangel på følesans, 'kildren', 'stikken', smerte, manglende eller reduceret styrke, forandringer i hudens farve eller i dens overflade. Disse symptomer opleves almindeligvis i fingre, hænder eller håndled. Symptomerne kan forværres i koldt vejr.

Stopkontakt

Stopkontakten skal bruges til at slukke for motoren.

Lyddæmper

Lyddæmperen er konstrueret med henblik på at mindske lydniveauet og lede motorens udstødningsgasser væk fra brugeren.



ADVARSEL! Motorens udstødningsgasser er varme og kan indeholde gnister, som kan forårsage brand. Start derfor aldrig maskinen indendørs eller i nærheden af brandfarligt materiale!

I områder med varmt og tørt klima kan risikoen for antændelse af brandbart materiale være overhængende. Disse områder kan være reguleret ved lov med krav om, at lyddæmperen skal være forsynet med godkendt gnistfangernet (A). (6)



BEMÆRK! Lyddæmperen bliver meget varm både under og efter brug. Dette gælder også ved kørsel i tomgang. Vær opmærksom på brandfaren, specielt ved håndtering i nærheden af brandfarlige emner og/eller gasser.



ADVARSEL! Brug aldrig en motorsav uden lyddæmper eller med defekt lyddæmper. En defekt lyddæmper kan forøge lydniveauet og brandrisikoen markant. Hav altid brandslukningsudstyr inden for rækkevidde. Brug aldrig en motorsav uden gnistfangernet eller med defekt gnistfangernet, hvis gnistfangernet er påbudt i dit arbejdsområde.

Skæreudstyr

Dette afsnit behandler, hvordan du med korrekt vedligeholdelse og ved brug af korrekt type skæreudstyr:

- Reducerer maskinens kasttilbøjelighed.
- Reducerer forekomsten af savkædeafbob samt savkædebrud.
- Bevarer en optimal skarphed.
- Øger skæreudstyrets levetid.
- Forebygger forøgelse af vibrationsniveauet.

GENERELLE SIKKERHEDSINSTRUKTIONER

Grundregler

- **Brug kun det skæreudstyr vi anbefaler!** Se anvisningerne i afsnittet Tekniske data.
- **Hold savkædens skæretænder godt og korrekt filede!** Følg vores instruktioner, og brug anbefalet fileholder. En forkert filet eller beskadiget savkæde øger risikoen for ulykker.
- **Hold korrekt rytterhøjde! Følg vores instruktioner, og brug det anbefalede ryttermål.** Hvis ryttermålet er for stort, øges risikoen for kast!
- **Hold kæden stram!** En utilstrækkeligt strammet kæde øger risikoen for kædeafhop og øger slitagen på sværd, savkæde og savkædedrivhjul.
- **Hold skæreudstyret velsmurt og korrekt vedligeholdt!** En utilstrækkelig smøring af savkæden øger risikoen for savkædebrud og øger slitagen på sværd, savkæde og savkædedrivhjul.

Kastreducerende skæreudstyr



ADVARSEL! Forkert skæreudstyr eller et forkert sværd/en forkert kædekombination øger risikoen for kast! Brug kun det sværd/den savkædekombination, der er anbefalet, og følg filningsanvisningerne. Se anvisningerne i afsnittet Tekniske data.

Kast kan kun undgås ved, at du som bruger passer på, at sværdet kastrisikoområde aldrig kommer i kontakt med et objekt.

Ved at bruge skæreudstyr med en "indbygget" kastreduktion og ved at file og vedligeholde savkæden korrekt, kan effekten af et kast reduceres.

Sværd

Jo mindre næseradius, desto mindre kastrisiko.

Savkæde

En savkæde er opbygget af et antal forskellige led, som fås både i standard og i kastreduceret udførelse.

VIGTIGT! Ingen savkæder eliminerer risikoen for kast.



ADVARSEL! Enhver berøring af en roterende savkæde kan forårsage meget alvorlige skader.

Nogle udtryk, som specificerer sværd og savkæde

For at bevare alle sikkerhedsdele på skæreudstyret bør du udskifte slidte og defekte sværd- og kædekombinationer med et sværd og en kæde, som Jonsøred anbefaler. Se anvisningerne under afsnittet Tekniske data for at få yderligere oplysninger om de sværd- og kædekombinationer, vi anbefaler.

Sværd

- Længde (tommer/cm)
- Antal tænder i næsehjulet (T).
- Savkædedeling (=pitch) (tommer). Sværdets og motorsavens kædedrivhjul skal være tilpasset afstanden mellem drivleddene.

- Antal drivled (stk.). Hver sværdlængde giver i kombination med savkædedelingen og antallet af tænder i næsehjulet et bestemt antal drivled.
- Sværdsporsbredde (tommer/mm). Sværdsporets bredde skal være tilpasset savkædens drivledsbredde.
- Savkædeoliehul og hul til kædestrammertap. Sværdet skal være tilpasset motorsavens konstruktion.

Savkæde

- Savkædedeling (=pitch) (tommer)
- Drivledsbredde (mm/tommer)
- Antal drivled (stk.)

Filning og justering af ryttermål på savkæde



ADVARSEL! Brug altid handsker, når du arbejder med kæden, for at beskytte hænderne.

Generelt angående filning af en skæretand

- Sav aldrig med en sløv savkæde. Tegn på en sløv savkæde er, at du er nødt til at trykke skæreudstyret ned gennem træet, og at træspånerne er meget små. En meget sløv savkæde giver slet ingen træspåner. Det eneste resultat bliver savsmuld.
- En skarp savkæde æder sig selv gennem træet og giver træspåner, som er store og lange.
- Den savende del af en savkæde kaldes et skæreled og består af en skæretand (A) og en rytter (B). Højdeafstanden mellem disse bestemmer skæredybden. (7)

Ved filning af en skæretand er der fire mål at tage hensyn til

- 1 Filevinkel
- 2 Støttevinkel
- 3 Filestilling
- 4 Rundfilisdiameter

Det er meget svært at file en savkæde korrekt uden hjælpemidler. Derfor anbefaler vi, at du bruger vores fileholder. Den sikrer, at savkæden files, så den giver optimal kastreduktion og skærekapacitet.

Se anvisningerne i afsnittet Tekniske data for at få oplysninger om, hvilke data der gælder ved filning af din motorsavs savkæde.



ADVARSEL! Følgende fejl ved filningen øger savkædens kasttilbøjelighed i betydelig grad.

Filning af skæretand

Til filning af skæretand kræves en rundfil og en fileholder. Se i afsnittet Tekniske data for at få oplysninger om, hvilken rundfil diameter og hvilken fileholder der anbefales til din motorsavs savkæde.

- Kontrollér, at savkæden er stram. En utilstrækkelig strammning medfører, at savkæden bliver ustabil i sideled, hvilket gør en korrekt filning svært.
- Fil altid fra skæretandens inderside og udad. Tryk ikke hårdt på filen på returtrækket. Fil altid tænderne på den ene side først, og vend derefter motorsaven, og fil den anden sides tænder.

GENERELLE SIKKERHEDSINSTRUKTIONER

- Fil på en sådan måde, at alle tænder bliver lige lange. Når der kun er 4 mm (0,16") tilbage af skæretandens længde, er savkæden slidt ned og skal smides væk. (8)

Generelt angående justering af ryttermål

- Ved filning af skæretanden mindskes rytterhøjden (=skæredybden). For at bevare en maksimal skærekapacitet skal ryttermålet sænkes til anbefalet niveau. Se anvisningerne i afsnittet Tekniske data for at få oplysninger om, hvor stort ryttermålet skal være på din motorsavs savkæde.



ADVARSEL! Hvis ryttermålet er for stort, øges savkædens kasttilbøjelighed!

Justering af ryttermål

- Når ryttermålet justeres, skal skæretænderne være nyfilede. Vi anbefaler, at ryttermålet justeres efter hver tredje savkædefilning. BEMÆRK! Denne anbefaling forudsætter, at skæretændernes længde ikke er blevet fileet unormalt ned.
- Ved justering af rytterhøjden kræves en fladfil og et ryttermål. Vi anbefaler, at du anvender vores slibeskala, så du er sikker på at få de korrekte ryttermål og den rigtige vinkel på rytteren.
- Læg slibeskalaen over savkæden. Du kan finde yderligere oplysninger om brug af slibeskalaen på pakken. Læg fladfilen over den overskydende del af rytteren, og fil overskuddet væk. Rytterhøjden er korrekt, når der ikke føles nogen modstand, når filen trækkes over slibeskalaen.

Stramning af savkæden



ADVARSEL! En utilstrækkeligt strammet savkæde kan resultere i savkædeafhop, hvilket kan forårsage alvorlige, ja endog livsfarlige personskader.



ADVARSEL! Brug altid godkendte beskyttelsehandsker. Også en kæde, der ikke er i bevægelse, kan forårsage alvorlige skader på brugeren eller andre personer, som kommer i kontakt med den.

Jo mere du bruger en savkæde, desto længere bliver den. Det er vigtigt, at man justerer skæreudstyret i takt med denne forandring.

Savkædestramningen skal kontrolleres efter hver tankning. BEMÆRK! En ny savkæde kræver en indkøringsperiode, hvor man skal kontrollere savkædestramningen oftere.

Generelt gælder det, at man skal stramme savkæden så meget som muligt, men ikke mere end, at den let kan trækkes rundt med hånden. (9)

- Løsn de sværdmøtrikker, som låser koblingsdækslet/kædebremsen. Brug kombinøglen. Spænd derefter sværdmøtrikkerne med håndkraft, så hårdt du kan. (10)
- Løft sværdspidsen op, og stram savkæden ved at spænde savkædestrammerskruen ved hjælp af

kombinøglen. Stram savkæden, indtil den ikke længere hænger slapt ned på sværdets underside. (11)

- Brug kombinøglen, og spænd sværdmøtrikkerne, samtidig med at du holder sværdspidsen op. Kontrollér, at savkæden let kan trækkes rundt med hånden, og at den ikke hænger ned på sværdets underside. (12)

Smøring af skæreudstyr



ADVARSEL! Utilstrækkelig smøring af skæreudstyret kan resultere i savkædebrud, hvilket kan medføre alvorlige, ja endog livsfarlige personskader.

Savkædeolie

En savkædeolie skal have en god vedhæftning til savkæden samt en god flydeevne, uanset om det er varm sommer eller kold vinter.

Som motorsavsproducent har vi udviklet en optimal savkædeolie, som i kraft af dens vegetabiliske basis desuden er biologisk nedbrydelig. Vi anbefaler, at du bruger vores olie for at opnå en maksimal levetid både for savkæden og for miljøet. Hvis du ikke kan få fat i vores savkædeolie, anbefales almindelig savkædeolie.

Brug aldrig spildolie! Den er skadelig både for dig, maskinen og miljøet.



VIGTIGT! Hvis du anvender vegetabilisk savkædeolie, skal du afmontere og rengøre sværdbeskyttelsen og savkæden inden langtidsoptbevaring. I modsat fald er der risiko for, at savkædeolien oxiderer, så savkæden bliver sløv, og sværdets næsehjul går trægt.

Påfyldning af savkædeolie

- Alle vores motorsavsmodeller har automatisk savkædesmøring. En del af modellerne kan også fås med justerbar olietilførsel.
- Savkædeolietanken og brændstoftanken er dimensionerede, så brændstoffet slipper op før savkædeolien.

Denne sikkerhedsfunktion forudsætter dog, at man bruger korrekt savkædeolie (en for tynd og letflydende olie tømmer savkædeolietanken, inden brændstoffet slipper op), at man følger vores anbefalede karburatorindstilling (en for 'sparsom' indstilling bevirker, at brændstoffet varer længere end savkædeolien), samt at man følger vores anbefalinger vedrørende skæreudstyr (et for langt sværd kræver mere kædeolie).

Kontrol af savkædesmøring

- Kontrollér savkædesmøringen ved hver tankning. Se instruktionerne i afsnittet Smøring af sværdets næsehjul.

Ret sværdspidsen mod et fast, lyst objekt i en afstand af ca. 20 cm (8 tommer). Efter 1 minuts kørsel på 3/4 gas skal man kunne se et tydeligt oliespor på det lyse objekt.

GENERELLE SIKKERHEDSINSTRUKTIONER

Hvis savkædesmøringen ikke fungerer:

- Kontrollér, at sværdets savkædeoliekanal er åben. Rens den om nødvendigt.
- Kontrollér, at sværdsporet er rent. Rens det om nødvendigt.
- Kontrollér, at sværdets næsehjul går let, og at næsehjulets smørehul er åbent. Rens og smør om nødvendigt.

Hvis savkædesmøringen ikke fungerer, efter at ovennævnte kontroller og tilhørende foranstaltninger er gennemført, skal du kontakte dit serviceværksted.

Kædedrivhjul

Koblingstromlen er forsynet med et Spur-drivhjul (kædedrivhjulet er fastlodet på tromlen).

Kontrollér regelmæssigt slitageniveauet for kædedrivhjulet. Udskift det, hvis det er unormalt slidt. Kædedrivhjulet skal udskiftes ved hver savkædeudskiftning.

Slitagekontrol af skæreudstyr

Kontrollér dagligt savkæden for:

- Synlige revner i nitter og led.
- Om savkæden er stiv.
- Om nitter og led er unormalt slidte.

Kassér savkæden, hvis den viser et eller flere af ovenstående tegn.

Vi anbefaler, at du bruger en ny savkæde til at måle, hvor slidt din savkæde er.

Når der kun er 4 mm tilbage af skæretandens højde, er savkæden slidt og skal kasseres.

Sværd

Kontrollér regelmæssigt:

- Hvis der dannes ujævnheder på sværdbommenes ydre sider. File væk om nødvendigt. **(13A)**
- Hvis sværdsporet er unormalt slidt. Sværdet udskiftes om nødvendigt. **(13B)**
- Hvis sværdsnæsen er unormalt eller ujævnt slidt. Hvis der er dannet en "fordybning", hvor sværdsnæsens radius slutter på sværdets underside, har du kørt med utilstrækkeligt opstrammet savkæde.
- For at opnå en maksimal levetid bør sværdet vendes dagligt.



ADVARSEL! De fleste ulykker med motorsave sker, når savkæden rammer brugeren.

Brug personligt beskyttelsesudstyr. Se instruktionerne i afsnittet Personligt beskyttelsesudstyr.

Undgå at udføre opgaver, som du ikke føler dig tilstrækkeligt kvalificeret til. Se instruktionerne i afsnittene Personligt beskyttelsesudstyr, Kastforebyggende foranstaltninger, Skæreudstyr og Generelle arbejdsinstruktioner.

Undgå situationer, hvor der foreligger kastrisiko. Se instruktionerne i afsnittet Maskinens sikkerhedsudstyr.

Brug anbefalet skæreudstyr, og kontrollér dets tilstand. Se instruktionerne i afsnittet Generelle arbejdsinstruktioner.

Kontrollér funktionen af motorsavens sikkerhedsdetaljer. Se instruktionerne i afsnittet Generelle arbejdsinstruktioner og Generelle sikkerhedsinstruktioner.

Montering af sværd og kæde



ADVARSEL! Kontrol og/eller vedligeholdelse skal udføres med slukket motor. Stopkontakten skifter automatisk til startposition. For at undgå utilsigtet start skal tændhætten derfor altid tages af tændrøret ved montering, kontrol og/eller vedligeholdelse.

Brug altid handsker, når du arbejder med kæden, for at beskytte hænderne.

Kontrollér, at kædebremserne ikke er i udløst stilling ved at føre kædebremsernes kastbeskyttelse mod den forreste håndtagsbøjle.

Skrue sværdmøtrikkerne væk, og fjern koblingsdækslet (kædebremserne). Fjern transportbeskyttelsen. (A) **(14)**

Montér sværdet over sværdboltene. Placér sværdet i dets bagerste stilling. Placér kæden over kædedrivhjul og i sværdsporet. Begynd på sværdets overside. **(15)**

Kontrollér, at æggen på skæreledene er peger fremad på sværdets overside.

Monter koblingskappen (kædebremserne) og find kædespændetappen i sværdets udtag. Kontrollér, at kædens drivled passer på kædedrivhjul, og at kæden ligger rigtigt i sværdsporet. Spænd sværdmøtrikkerne med fingrene. **(16)**

Spænd kæden ved at bruge kombinøglen til at skrue kædestrammerskruen med uret. Kæden skal strammes til, så den ikke hænger slapt ned på sværdets underside. Se anvisningerne i afsnittet Stramning af savkæden. **(17)**

Kæden er korrekt spændt, når den ikke hænger slapt ned på sværdets underside og stadig kan trækkes rundt med hånden. Spænd sværdmøtrikkerne fast med kombinøglen, samtidig med at sværdspidsen holdes opad. **(18)**

På en ny kæde skal kædestramningen kontrolleres ofte, indtil kæden er kørt til. Kontrollér kædestramningen regelmæssigt. Korrekt kæde betyder god skærekapacitet og lang levetid. **(19)**

Montering af barkstøtte

Kontakt nærmeste serviceværksted for at få monteret en barkstøtte.

Drivmiddel

Bemærk! Maskinen er forsynet med en totaktsmotor og skal altid anvendes med en blanding af benzin og totaktsolie. Det er vigtigt, at du nøje afmåler den oliemængde, der skal blandes, for at sikre et korrekt blandingsforhold. Ved blanding af små brændstofmængder påvirker selv små unøjagtigheder i oliemængden blandingsforholdet kraftigt.



ADVARSEL! Sørg for god luftventilation ved al brændstofhåndtering.

Benzin

- Brug blyfri eller blyholdig kvalitetsbenzin.
- Det lavest anbefalede oktantal er oktantal 90 (RON). Hvis motoren køres på benzin med et lavere oktantal end oktantal 90, kan der forekomme bankning. Dette medfører en højere motortemperatur og en øget lejebelastning, som kan forårsage alvorlige motorhaverier.
- Ved arbejde med kontinuerligt høje omdrejningstal (f.eks. ved kvistning) anbefales højere oktantal.

Indkøring

Kørsel ved alt for høj hastighed i længere perioder ad gangen skal undgås i løbet af de første 10 driftstimer.

Totaktsolie

- For at opnå det bedste resultat og en optimal funktion skal JONSEREDS totaktsolie, som er specielt udviklet til vores luftafkølede totaktsmotorer, anvendes.
- Brug aldrig totaktsolie beregnet til vandafkølede udenbordsmotorer, såkaldt outboardolie (kaldes TCW).
- Brug aldrig olie beregnet til firetaktsmotorer.
- En lav olie kvalitet eller en for fed olie/brændstofblanding kan forværre katalysatorens funktion og reducere dens levetid.

Blandingsforhold

1:50 (2 %) med JONSERED totaktsolie.

1:33 (3 %) med andre olier, der er beregnet til luftafkølede totaktsmotorer i klasserne JASO FB/ISO EGB.

Benzin, liter	Totaktsolie, liter	
	2% (1:50)	3% (1:33)
5	0,10	0,15
10	0,20	0,30
15	0,30	0,45
20	0,40	0,60

Blanding

- Bland altid benzin og olie i en ren beholder, der er godkendt til benzin.
- Begynd altid med at hælde halvdelen af benzinen i. Hæld derefter al olien i. Bland (ryst) brændstofblandingen. Hæld den resterende mængde benzin i.
- Bland (ryst) brændstofblandingen omhyggeligt, inden maskinens brændstofftank fyldes.
- Bland ikke brændstof til mere end maks. 1 måneds behov.
- Hvis maskinen ikke bruges i længere tid, skal brændstofftanken tømmes og rengøres.

Kædeolie

- Til smøring anbefales en special olie (kædesmøreolie) med god vedhæftningsevne.
- Brug aldrig spildolie. Dette medfører skader på oliepumpen, sværdet og kæden.
- Det er vigtigt at bruge korrekt olietype i forhold til lufttemperaturen (passende viskositet).
- Lufttemperaturer under 0° C gør en del olier trægt flydende. Dette kan give overbelastning af oliepumpen med skader på pumpedele til følge.
- Kontakt dit serviceværksted ved valg af kædesmøreolie.

Tankning



ADVARSEL! Følgende sikkerhedsforskrifter mindsker risikoen for brand:

Ryg ikke, og anbring aldrig varme genstande i nærheden af brændstoffet.

Stands motoren, og lad den afkøle nogle minutter før tankning.

Åbn tankdækslet langsomt ved brændstofpåfyldning, så et eventuelt overtryk langsomt forsvinder.

Spænd tankdækslet omhyggeligt efter tankning.

Flyt altid maskinen væk fra tankningsstedet inden start.

Tør rent rundt om tankdækslet. Rens brændstof- og kædeolietanken regelmæssigt. Brændstoffilteret skal udskiftes mindst en gang årligt. Forureninger i tankene forårsager driftsforstyrrelser. Sørg for, at brændstoffet er godt blandet ved at ryste beholderen, inden tanken fyldes. Kædeolie- og benzintankens volumen er tilpasset efter hinanden. Fyld derfor altid kædeolie- og brændstofftanken op samtidigt.



ADVARSEL! Brændstof og brændstoffdampe er meget brandfarlige. Vær forsigtig ved håndtering af brændstof og kædeolie. Tænk på brand-, eksplosions- og indåndningsrisici.

Brændstofsikkerhed

- Fyld aldrig brændstof på maskinen, når motoren kører.
- Sørg for god ventilation ved tankning og blanding af brændstof (benzin og totaktolie).
- Flyt maskinen mindst 3 m væk fra tankningsstedet, inden du starter.
- Start aldrig maskinen:
 - 1 Hvis du har spildt brændstof eller kædeolie på maskinen. Aftør alt det spildte brændstof, og lad benzinresterne fordampe.
 - 2 Hvis du har spildt brændstof på dig selv eller dit tøj, skift tøj. Vask de legemsdele, som har været i kontakt med brændstoffet. Brug vand og sæbe.
 - 3 Hvis maskinen lækker brændstof. Kontrollere regelmæssigt for lækage fra tankdæksel og brændstoffslanger.



ADVARSEL! Anvend aldrig en maskine med synlige skader på tændrørshætten og tændkablet. Der er risiko for gnistdannelse, der kan forårsage brand.

Transport og opbevaring

- Opbevar motorsaven og brændstoffet, så en eventuel lækage og eventuelle dampe ikke risikerer at komme i nærheden af gnister og åben ild. F.eks. elmaskiner, elmotorer, elkontakter/afbrydere, varmeapparater eller lignende.
- Ved opbevaring af brændstof skal særligt egnede og godkendte beholdere bruges.
- Ved længere tids opbevaring og transport af motorsaven skal brændstof- og savkædeolietankene tømmes. Spørg på den nærmeste benzinstation, hvad du skal gøre med overskydende brændstof og savkædeolie.
- Sørg for, at maskinen er ordentligt rengjort, og at der er udført fuldstændig service, inden langtidsofopbevaring.
- Skæreudstyrets transportbeskyttelse skal altid være monteret under transport og opbevaring af maskinen, så du ikke kommer til at røre ved den skarpe kæde ved et uheld. Også en kæde, der ikke er i bevægelse, kan forårsage alvorlige skader på brugeren eller andre personer, som kommer i kontakt med den.
- Fastgør maskinen under transport.

Langtidsofopbevaring

Tøm brændstof- og olietankene på et sted med god udluftning. Opbevar brændstoffet i godkendte dunke på en sikker måde. Monter sværdbeskyttelsen. Rengør maskinen. Se anvisningerne i afsnittet Vedligeholdelsesskema.

Start og stop



ADVARSEL! Inden start skal du være opmærksom på følgende:

Kædebremsen skal være aktiveret, når motorsaven startes, så kæden ikke roterer og forårsager skade.

Start ikke motorsaven, uden at sværd, kæde og alle dæksler er monteret korrekt. Koblingen kan i modsat fald løse sig og forårsage personskader.

Placér maskinen på et stabilt underlag. Sørg for, at du står stabilt, og at kæden ikke kan gribe fat i noget.

Sørg for, at ingen uvedkommende opholder sig inden for arbejdsområdet.

Kold motor

Start: Kædebremsen skal være aktiveret, når motorsaven startes. Aktivér bremsen ved at føre kastbeskyttelsen fremad. (20)

1. **Brændstofpumpe:** Tryk flere gange på brændstofpumpens gummiblære, indtil blæren fyldes med brændstof. Det er ikke nødvendigt at fylde blæren helt. (23)

2. **Choker:** Træk den blå choker-/startgasregulator helt ud (til positionen **FULL CHOKE**) Når chokerreguleringen er trukket helt ud, indstilles den korrekte startgasposition automatisk. (21)

Startgas: Kombineret choker/startgasstilling opnås, når håndtaget stilles i chokerstilling. (22)

Start

Tag fat i det forreste håndtag med venstre hånd. Placér højre fod på den nederste del af det bageste håndtag, og tryk motorsaven mod jorden.

3. **Grib starthåndtaget**, og brug højre hånd til at trække startsnoren langsomt ud, indtil der mærkes en modstand (starthagerne griber fat), og foretag derefter nogle hurtige og kraftige ryk. **Vikl aldrig startsnoren rundt om hånden.** (25)

BEMÆRK! Træk ikke startsnoren helt ud, og slip heller ikke starthåndtaget fra udstrakt stilling. Dette kan give skader på maskinen.

4. **Så snart motoren starter**, hvilket kan høres ved en "puff"-lyd, skal chokerhåndtaget trykkes ind til indstillingen "1/2 choker". (22)

5. **Fortsæt med at trække** med hurtige ryk i snoren, indtil motoren starter. (26) Lad motoren varme op i 30 sekunder, og tryk derefter på gasreguleringen for at opnå normal tomgang.

Da kædebremsen stadig er slået til, skal motorens omdrejningstal hurtigst muligt bringes ned på tomgang, hvilket opnås ved hurtigt at trykke én gang på

gasregulatoren. Derved undgår du unødigt slitage på kobling, koblingstromle og bremsebånd.

Bemærk! Sæt kædebremsen tilbage ved at føre kastbeskyttelsen (markeret "PULL BACK TO RESET") mod håndtagsbøjlen. (27) Motorsaven er dermed klar til brug.

Varm motor

Anvend samme startmetode som ved kold motor, men uden at sætte chokerregulatoren i choke-position. Startgasposition opnås ved at trække den blå chokerregulator ud til choke-position og skubbe den ind igen. (24)



ADVARSEL! Langvarig indånding af motorens udstødningsgas, kædeolieåge og støv fra savspåner kan være sundhedsskadelig.

- Start aldrig motorsaven, uden at sværd, savkæde og alle dæksler er monteret korrekt. Se instruktionerne i afsnittet Montering. Hvis sværd og kæde ikke er monteret på motorsaven, kan koblingen løsnes og forårsage alvorlige skader. (28)
- Kædebremsen skal være aktiveret, når motorsaven startes. Se anvisningerne i afsnittet Start og stop. Dropstart aldrig motorsaven. Denne metode er meget farlig, fordi det er let at miste kontrollen over motorsaven. (29)
- Start aldrig maskinen indendørs. Vær bevidst om faren ved indånding af motorens udstødningsgasser.
- Hold øje med omgivelserne, og kontrollér, at der ikke er nogen risiko for, at mennesker eller dyr kan komme i kontakt med skæreudstyret.
- Hold altid fast om motorsaven med begge hænder. Hold højre hånd på det bageste håndtag og venstre hånd på det forreste håndtag. **Alle brugere, både højre- og venstrehådede, skal bruge dette håndgreb.** Hold godt fast om motorsaven, så tommelfingrene og de øvrige fingre griber om håndtaget på motorsaven. (30)

Stop

Motoren standes ved at trykke stopknappen ned. (31)

Før hver anvendelse: (32)

- 1 Kontrollér, at kædebremsen fungerer ordentligt og er intakt.
- 2 Kontrollér, at bageste højrehandsbeskyttelse ikke er beskadiget.
- 3 Kontrollér, at gasreguleringslåsen fungerer ordentligt og er intakt.
- 4 Kontrollér, at stopknappen fungerer korrekt og er intakt.
- 5 Kontrollér, at alle håndtag er fri for olie.
- 6 Kontrollér, at vibrationsdæmpningssystemet fungerer og er intakt.
- 7 Kontrollér, at lyd-dæmperen sidder godt fast og er intakt.
- 8 Kontrollér, at alle motorsavens detaljer er fastspændte, og at de ikke er beskadigede eller mangler.
- 9 Kontrollér, at kædefangeren er på plads og er intakt.
- 10 Kontrollér kædespændingen.

Generelle arbejdsinstruktioner

VIGTIGT!

Dette afsnit behandler grundlæggende sikkerhedsregler for arbejde med motorsave. Informationen kan aldrig erstatte den kundskab, en faguddannet bruger har i form af uddannelse og praktisk erfaring. Når du kommer ud for en situation, som du er usikker på, skal du spørge en ekspert til råds. Henvend dig i din motorsavsforretning, på dit serviceværksted eller til en erfaren motorsavsbruger. Undgå at udføre opgaver, som du ikke føler dig tilstrækkeligt kvalificeret til!

Inden motorsaven tages i brug, skal du forstå, hvad et kast er for noget, og hvordan det kan undgås. Se instruktionerne i afsnittet Kastforebyggende foranstaltninger.

Inden motorsaven tages i brug, skal du forstå forskellen mellem at save med sværdets underside og dets overside. Se anvisningerne i afsnittene Kastforebyggende foranstaltninger og Maskinens sikkerhedsudstyr.

Brug personligt beskyttelsesudstyr. Se instruktionerne i afsnittet Personligt beskyttelsesudstyr.

Grundlæggende sikkerhedsregler

- 1 Hold øje med omgivelserne:
 - For at du kan være sikker på, at hverken mennesker, dyr eller andet kan påvirke din kontrol over maskinen.
 - For at forhindre, at førnævnte ikke risikerer at komme i kontakt med savkæden eller blive ramt af et faldende træ og derved komme til skade.

BEMÆRK! Følg ovennævnte punkter, men brug aldrig en motorsav, hvis det ikke er muligt at tilkalde hjælp i tilfælde af en ulykke.

- 2 Undgå anvendelse i dårligt vejr. F.eks. i tæt tåge, kraftig regn, hård vind og kraftig kulde osv. At arbejde i dårligt vejr er trættende og kan skabe farlige situationer, f.eks. ved glat underlag, påvirkning af træets faldretning m.m.

- 3 Vær yderst forsigtig ved afsavning af smågrene, og undgå at save i buske (= mange smågrene samtidigt). Smågrene kan efter afsavning sætte sig fast i savkæden, slynges mod dig og forårsage alvorlig personskade.
- 4 Sørg for, at du kan gå og stå sikkert. Kig efter eventuelle forhindringer ved en uventet retræte (rødder, sten, grene, huller, grøfter osv.). Vær meget forsigtig ved arbejde i skrånende terræn.
- 5 Vær yderst forsigtig ved savning i træer, som ligger i spænd. Et spændt træ kan efter gennemsavning svippe tilbage til sin normale stilling. Hvis du placerer dig forkert, og lægger savsnittet forkert, kan det betyde, at træet rammer dig eller maskinen, så du mister kontrollen. Begge omstændigheder kan forårsage alvorlig personskade.
- 6 Ved kortere transporter skal savkæden låses med kædebremsen, og motoren slukkes. Bær motorsaven med sværd og savkæde bagudvendt. Ved længere transporter skal sværdbeskyttelsen bruges.
- 7 Når du anbringer motorsaven på jorden, skal du låse savkæden med kædebremsen og holde øje med maskinen. Ved længere tids 'opbevaring' skal motoren slukkes.



ADVARSEL! Nogle gange sætter spåner sig fast i koblingsdækslet, så kæden klemmes fast. Stands altid motoren ved rengøring.

Grundregler

- 1 Ved at forstå, hvad et kast kan medføre, og hvordan det opstår, kan du reducere eller eliminere overraskelsesmomentet. Overraskelsen øger ulykkesrisikoen. De fleste kast er små, men en del er lynhurtige og meget voldsomme.
- 2 Hold altid motorsaven i et fast greb med højre hånd på det bageste håndtag og venstre hånd på det forreste håndtag. Tommefingrene og de andre fingre skal omslutte håndtagene. Alle brugere - uanset om man er venstre- eller højrehåndet - skal bruge dette greb. Ved at anvende dette greb kan du bedst reducere effekten af et kast og samtidigt bevare kontrollen over motorsaven. **Slip ikke håndtagene!**
- 3 De fleste kastulykker sker ved kvistning. Sørg derfor for, at du står stabil, og at ingen genstande på jorden kan få dig til at snuble eller miste balancen.

Ved uagtsomhed kan sværdets kastrisikoområde utilsigtet ramme en gren, et nærliggende træ eller noget andet og fremkalde et kast.

Sørg for at have god kontrol over arbejdsområdet. Hvis de emner, du saver, er små og lette, kan de gå fast i savkæden og slynges mod dig. Selvom dette ikke i sig selv behøver at være farligt, kan du blive overrasket og miste kontrollen over saven. Sav aldrig stablede pinde eller grene uden at skille dem ad. Sav kun en pind eller gren ad gangen. Fjern de afsavede stykker, så arbejdsområdet forbliver sikkert.
- 4 **Brug aldrig motorsaven over skulderhøjde, og undgå at save med sværdspidsen. Brug aldrig motorsaven kun med én hånd. (33)**

- 5 For at have fuld kontrol over din motorsav skal du stå stabil. Arbejd aldrig stående på en stige, oppe i et træ, eller når du ikke står på et stabilt underlag. **(34)**
- 6 Sav med høj kædehastighed, dvs. med fuld gas.
- 7 Vær yderst forsigtig, når du saver med sværdets overside, dvs. når du saver fra saveobjektets underside. Dette kaldes at save med skubbende savkæde. Savkæden skubber da motorsaven bagud mod brugeren. Hvis savkæden klemmes fast, kan motorsaven kastes bagud mod dig.
- 8 Hvis brugeren ikke holder imod motorsavens kraft, er der risiko for, at motorsaven slår så langt bagud, at sværdets kastrisikoområde er den eneste kontakt med træet, hvilket medfører til et kast. **(35)**
At save med sværdets underside, dvs. save fra objektets overside og ned, kaldes at save med trækkende savkæde. Da trækkes motorsaven mod træet og motorsavskroppens forkant bliver en naturlig støtte mod stammen. Savning med trækkende savkæde giver brugeren bedre kontrol over motorsaven, og man ved, hvor sværdets kastrisikoområde befinder sig.
- 9 Følg file- og vedligeholdelsesinstruktionerne for sværd og savkæde. Ved udskiftning af sværd og savkæde må kun de af os anbefalede kombinationer benyttes. Se instruktionerne i afsnittet Skæredstyr og i afsnittet Tekniske data.

Grundlæggende saveteknik



ADVARSEL! Anvend aldrig en motorsav ved at holde den i én hånd. Du kan ikke håndtere motorsaven sikkert med én hånd. Hav altid et fast, sikkert greb om håndtagene med begge hænder.

Generelt

- Brug altid fuld gas ved al savning!
- Lad motoren gå ned på tomgangsomdrejninger efter hvert savsnit (længere tid med fulde omdrejninger, uden at motoren belastes, dvs. uden den modstand, som motoren arbejder med via savkæden ved savning, kan give alvorlige motorskader).
- At save oppefra og ned = At save med "trækkende" savkæde.
- At save nedefra og op = At save med "skubbende" savkæde.

Savning med "skubbende" savkæde medfører en øget kastrisiko. Se instruktionerne i afsnittet Kastforebyggende foranstaltninger.

Betegnelser

Kapning = Generel betegnelse for gennemsavning af træ.

Kvistning = Kapning af grene fra fældet træ.

Spalning = Når det objekt, som du skal kappe, brækkes af, inden gennemsavningen er færdig.

Inden hver kapning er der fem meget vigtige faktorer at tage hensyn til:

- 1 Skæredstyret må ikke klemmes fast i savsnittet.
- 2 Savobjektet må ikke spaltes.

- 3 Savkæden må ikke slå ned i jorden eller andet under og efter gennemsavningen.
- 4 Foreligger der kastrisiko?
- 5 Kan terrænet og omgivelsernes udseende påvirke, hvor stabilt og sikkert du kan gå og stå?

At savkæden klemmes fast, eller at savobjektet spaltes skyldes to faktorer: Hvilken støtte savobjektet har før og under kapning, og om objektet er i spænd.

Førnævnte uønskede foreteelser kan i de fleste tilfælde undgås ved at udføre kapningen i to trin, både fra over- og undersiden. Det gælder om at neutralisere saveobjektets "vilje" til at klemme savkæden fast eller til at spaltes.

VIGTIGT! Hvis savkæden bliver klemt fast i savsnittet, skal motoren standses! Prøv ikke at rykke motorsaven løs. Hvis du gør det, kan du komme til skade på savkæden, når motorsaven pludselig løsnes. Brug en løftestang til at få motorsaven fri.

Følgende punkter er en teoretisk gennemgang af, hvordan man håndterer de mest almindelige situationer, som en motorsavsbruger kan komme ud for.

Kvistning

Ved kvistning af tykkere grene skal man følge de samme principper som ved kapning.

Afkap besværlige grene stykke for stykke.

Kapning



ADVARSEL! Forsøg aldrig at save pinde, når de er stablede eller ligger tæt sammen. Sådanne fremgangsmåder forøger risikoen for kast markant, hvorved der kan opstå alvorlig eller livstruende skade.

Hvis du har en stabel pinde, skal hver enkelt af de pinde, du vil save, fjernes fra stablen, placeres på en savbuk og saves for sig.

Fjern de afsavede pinde fra arbejdsområdet. Hvis du lader dem ligge i arbejdsområdet, forøger du både risikoen for kast og for at miste balancen, når du arbejder.

Stammen ligger på jorden. Der er ingen risiko for fastklemning af savkæden eller spalting af savobjekt. Der er dog stor risiko for, at savkæden rammer jorden efter gennemsavning.

Sav oppefra og ned gennem hele stammen. Vær forsigtig ved slutningen af savsnittet for at undgå at savkæden rammer jorden. Behold fuld gas, men vær forberedt på det, der kan ske. **(36)**

Hvis det er muligt (= kan stammen drejes?), bør savsnittet afsluttes 2/3 ned i stammen.

Drej stammen, så den resterende 1/3 kan afsluttes oppefra.

Stammen har støtte i den ene ende. Stor risiko for spalting.

Begynd med at save nedefra og op (ca. 1/3 af stammens diameter).

Afslut oppefra, så savsporene mødes.

Stammen har støtte i begge ender. Stor risiko for fastklemning af savkæden.

Begynd med at save oppefra (ca. 1/3 af stammens diameter).

Afslut savningen nedefra, så savsporene mødes.

Træfældningsteknik

VIGTIGT! Det kræver stor erfaring at fælde et træ. En uerfaren motorsavsbruger skal ikke fælde træer. Undgå at udføre opgaver, som du ikke er tilstrækkelig kvalificeret til!

Sikkerhedsafstand

Sikkerhedsafstanden mellem det træ, der skal fældes, og den nærmeste arbejdsplads skal være 2 1/2 trælængde. Sørg for, at der ikke befinder sig nogen inden for denne "risikozone" før og under fældning. **(37)**

Faldretning

Hensigten ved træfældning er at placere træet på en sådan måde, at den efterfølgende kvistning samt afkapning af stammen kan udføres i så "enkelt" terræn som muligt. Man skal kunne gå og stå sikkert.

Når du har besluttet, i hvilken retning du vil fælde træet, skal du vurdere, hvad træets naturlige faldretning er.

De faktorer, som styrer dette, er:

- Hældning
- Krogethed
- Vindretning
- Koncentration af grene
- Eventuel sneyngde
- Forhindringer i nærheden af træet: f.eks. andre træer, kraftkabler, veje og bygninger.
- Kig efter skader og råd i stammen, da det øger risikoen for, at træet knækker og begynder at falde, når du ikke regner med det.

Efter denne vurdering kan man være tvunget til at lade træet falde i sin naturlige faldretning, da det er umuligt eller for farligt at placere det i den retning, man havde planlagt fra begyndelsen.

En anden vigtig faktor, som ikke påvirker faldretningen, men har med din personlige sikkerhed at gøre, er at kontrollere, at træet ikke har nogle beskadigede eller "døde" grene, som kan falde ned og skade dig under fældningsarbejdet.

Først og fremmest skal det undgås, at det faldende træ sætter sig fast i et andet. At tage et fastfældet træ ned er meget farligt og er forbundet med meget stor ulykkesrisiko. Se instruktionerne i afsnittet Håndtering af et mislykket fældningsforsøg.

VIGTIGT! Ved kritiske fældningsmomenter bør høreværnet fældes op, så snart savningen er ophørt, så lyde og advarselssignaler kan høres.

Underkvistning og retrætevej

Afgren stammen op til skulderhøjde. Det er sikrest at arbejde oppefra og ned og at have stammen mellem dig og motorsaven.

Ryd undervegetationen rundt om træet, og vær opmærksom på eventuelle forhindringer (sten, grene,

huller osv.), så du får en let fremkommelig retrætevej, når træet begynder at falde. Retrætevejen bør ligge ca. 135° skråt tilbage fra træets planlagte faldretning. **(38)**

- 1 Risikoområde
- 2 Retrætevej
- 3 Faldretning

Fældning



ADVARSEL! Vi fraråder utilstrækkeligt kvalificerede brugere at fælde et træ med en sværdlængde, som er kortere end stammediametere!

Fældningen udføres med tre savsnit. Først laves retningsnittet, som består af et oversnit og et undersnit, og derefter afsluttes fældningen med fældesnittet. Ved korrekt placering af disse savsnit, kan man styre faldretningen meget præcist.

Retningssnit

Ved udsavningen af retningsnittet begynder man med oversnittet. Stå til højre for træet, og sav med trækkende savkæde.

Sav derefter undersnittet, så det afsluttes præcis, hvor oversnittet slutter. **(39)**

Retningsnittydbyden skal være 1/4 af stammens diameter, og vinklen mellem over- og undersnit skal være mindst 45°.

De to snit mødes i den såkaldte retningsnitlinje.

Retningsnitlinjen skal ligge præcist horisontalt og samtidig danne en ret vinkel (90°) i forhold til den valgte faldretning. **(40)**

Fældesnit

Fældesnittet saves fra den anden side af træet og skal ligge absolut horisontalt. Stå på venstre side af træet og sav med trækkende savkæde.

Placér fældesnittet ca. 3-5 cm (1,5-2 tommer) over retningsnittets horisontalplan.

Placer barkstøtten (hvis den er monteret) bag brudpunktet. Sav med fuld gas, og for savkæden/sværdet langsom ind i træet. Vær opmærksom på, om træet bevæger sig i modsat retning i forhold til den valgte faldretning. Sæt en fældekeile i eller et brækjern i fældesnittet, så snart snittydbyden tillader det. **(41)**

Fældesnittet skal afsluttes parallelt med retningsnitlinjen, så afstanden mellem de to er mindst 1/10 af stammens diameter. Den ikke gennemsave de del af stammen kaldes brudpunktet.

Brudpunktet fungerer som et hængsel, som styrer retningen af det faldende træ. **(42)**

Al kontrol over træets faldretning mistes, hvis brudpunktet er for lille eller gennemsave t, eller hvis retningsnit og fældesnit er forklert placeret.

Når fældesnittet og retningsnittet er færdigsavet, skal træet begynde at falde af sig selv eller ved hjælp af fældekeilen eller brækjernet.

Vi anbefaler at bruge en sværdlængde, som er længere end træets diameter, så fælde- og retningsnit kan udføres med et såkaldt 'enkelt savsnit'. Se anvisningerne i afsnittet Tekniske data for at få oplysninger om, hvilke sværdlængder der anbefales til din motorsavsmodel.

Der findes metoder til fældning af træer med en stammediameter, der er større end sværdlængden. Disse metoder medfører en meget stor risiko for, at sværdets kastrisikoområde kommer i nærheden af et objekt.

Håndtering af et mislykket fældningsforsøg

Nedtagning af et "fastfældet træ"

At tage et fastfældet træ ned er meget farligt og er forbundet med meget stor ulykkesrisiko.

Forsøg aldrig at save det fældede træ ned.

Undgå at arbejde inden for risikoområdet af det hængende og næsten fældede træ.

Den sikreste metode er at bruge et spil.

- Traktormonteret
- Bærbar

Savning i træer og grene, som befinder sig i spænd

Forberedelser: Bedøm, i hvilken retning spændingen er rettet, samt hvor den har sit brudpunkt (dvs. det sted, hvor den ville brække over, hvis den blev spændt endnu mere).

Afgør, hvordan du på den sikreste måde kan frigøre spændingen, og om du kan klare det. Ved særligt komplicerede situationer er den eneste sikre metode helt at undlade at bruge motorsaven og i stedet bruge et spil.

Generelt gælder:

Placér dig, så du ikke risikerer at blive ramt af træet / grene, når spændingen udløses.

Lav et eller flere savsnit på eller i nærheden af brudpunktet. Sav så dybt ind og med så mange snit, som der kræves, for at spændingen i træet/grenen skal udløses så meget, at træet "brækker af" ved brudpunktet.

Sav aldrig helt igennem et objekt, der er i spænd!

Hvis du skal save igennem træet/grenen, skal du lave to eller tre snit med en afstand på 3 cm og en dybde på 3-5 cm.

Fortsæt med at save dybere, indtil spændingen i træet/grenen fjernes.

Sav træet/grenen fra den modsatte side, når spændingen er fjernet.

Kastforebyggende foranstaltninger



ADVARSEL! Kast kan være lynhurtige, pludselige og voldsomme og kan kaste motorsav, sværd og savkæde mod brugeren. Er savkæden i bevægelse, når og hvis den rammer brugeren, kan der opstå meget alvorlige, ja endog livsfarlige personskader. Det er nødvendigt at forstå, hvad der forårsager kast, og at de kan undgås ved forsigtighed og korrekt arbejdsteknik.

Hvad er kast?

Kast er betegnelsen på en pludselig reaktion, hvor motorsav og sværd kastes fra et objekt, som er kommet i kontakt med sværdspidsens øverste kvadrant, det såkaldte kastrisikoområde. (43)

Kast slår altid i sværdplanet retning. Det mest almindelige er, at motorsav og sværd kastes opad og bagud mod brugeren. Dog forekommer der andre kastretninger afhængigt af, hvor motorsaven befandt sig i det øjeblik, sværdets kastrisikoområde var i kontakt med et objekt.

Kast kan kun ske, når sværdets kastrisikoområde kommer i kontakt med et objekt. (44)

Kvistning



ADVARSEL! De fleste kastulykker sker ved afgrening. Anvend aldrig sværdet i kastrisikoområdet. Vær yderst forsigtig, og undgå, at sværdspidsen kommer i kontakt med pinden samt andre grene og genstande. Vær yderst forsigtig ved savning af grene, som befinder sig i spænd. De kan fjedre tilbage mod dig og resultere i, at du mister kontrollen, så der opstår skade.

Sørg for, at du kan gå og stå sikkert! Arbejd fra venstre side af stammen. Arbejd så tæt ved motorsaven som muligt for at få den bedste kontrol. Når det er muligt, skal du lade savens vægt hvile på stammen.

Flyt dig kun, når du har stammen mellem dig og motorsaven.

Kapning af stammen til tømmerstokke

Se instruktionerne i afsnittet Grundlæggende saveteknik.

Generelt

Brugeren må kun udføre den form for vedligeholdelses- og servicearbejde, der beskrives i denne brugsanvisning. Mere omfattende arbejde skal udføres af et autoriseret serviceværksted.

Karburatorjustering

Dit Jonsered-produkt er konstrueret og fremstillet i henhold til specifikationer, som reducerer de skadelige udstødningssgasser.

Funktion

- Via gasreguleringen styrer karburatoren motorens omdrejningstal. I karburatoren blandes luft/brændstof. Denne luft/brændstofblanding er justerbar. For at udnytte maskinens maksimale effekt, skal justeringen være korrekt.
- T-skruen regulerer gasreguleringens stilling ved tomgang. Skrues T-skruen med uret fås et højere tomgangs-omdrejningstal, og skrues den mod uret fås lavere tomgangs-omdrejningstal.

Grundindstilling og tilkøring

Ved tilkøring på fabrikken foretages en grundindstilling af karburatoren. Finjustering skal udføres af en fagmand.

Anbefalet omdrejningstal i tomgang: Se kapitlet Tekniske data.

Finjustering af tomgang T

Indstilling af tomgang gøres med skruen, der er afmærket T. Hvis justering er nødvendig, skrues tomgangsskruen T ind (med uret) med motoren i gang, indtil kæden begynder at rotere. Skru derefter ud (mod uret) igen, indtil kæden står stille. Korrekt indstillet tomgangs-omdrejningstal er, når motoren arbejder jævnt i alle positioner med god marginal til det omdrejningstal, hvor kæden begynder at rotere.



ADVARSEL! Hvis tomgangs-omdrejningstallet ikke kan justeres, så kæden står stille, skal du kontakte serviceværkstedet. Brug ikke motorsaven, før den er korrekt indstillet eller repareret.

Kontrol, vedligeholdelse og service af motorsavens sikkerhedsudstyr

Bemærk! Al service og alle reparationer af maskinen kræver specialuddannelse. Dette gælder især maskinens sikkerhedsudstyr. Hvis maskinen ikke klarer nogen af følgende kontroller, anbefaler vi, at du kontakter dit serviceværksted. Al vedligeholdelse ud over det, som tidligere er nævnt i denne bog, skal foretages af servicepartneren (forhandleren).

Sluk motoren og fjern tændkablet før reparation eller vedligeholdelse

Kædebremse med kastbeskyttelse

Kontrol af bremsebåndsslitage

Rens kædebremsen og koblingstromlen for spåner, harpiks og snavs. Snavs og slitage påvirker bremsefunktionen. (45)

Kontrollér regelmæssigt, at der er mindst 0,6 mm af bremsebåndets tykkelse tilbage på det mest slidte sted.

Kontrol af kastbeskyttelse

Kontrollér, at kastbeskyttelsen er hel og uden synlige defekter, f.eks. materialerøvn.

Før kastbeskyttelsen frem og tilbage for at kontrollere, at den går let, og at den er stabilt forankret ved dens led i koblingsdækslet. (46)

Kontrol af træghedsfunktionen

Sluk motoren, og hold motorsaven over en stub eller over et andet stabilt underlag. Slip det forreste håndtag, og lad motorsaven falde ned af sig selv mod stubben, mens det bageste håndtag drejer rundt.

Når sværdspidsen rammer stubben, skal bremsen udløses. (47)

Kontrol af bremsevirkning

Anbring motorsaven på et stabilt underlag, og start den. Sørg for, at savkæden ikke kan komme i kontakt med jorden eller noget andet. Se anvisningerne under overskriften Start og stop.

Hold motorsaven i et fast greb med tommelfingre og fingre rundt om håndtagene.

Giv fuld gas, og aktivér kædebremsen ved at dreje venstre håndled mod kastbeskyttelsen. Slip ikke det forreste håndtag. **Kæden skal stoppe øjeblikkeligt.**

Gasreguleringslås

- Kontrollér, at gasreguleringen er låst i tomgangsstilling, når gasreguleringslåsen befinder sig i udgangsstilling.
- Tryk gasreguleringslåsen ind, og kontrollér, at den vender tilbage til udgangsstillingen, når den slippes.
- Kontrollér, at gasreguleringen og gasreguleringslåsen går let, og at returfejdersystemet fungerer.
- Start motorsaven, og giv fuld gas. Slip gasreguleringen, og kontrollér, at kæden standser, og at den bliver stående stille. Hvis kæden roterer med gasreguleringen i tomgangsstilling skal karburatorens tomgangsjustering kontrolleres.

Kædefanger

Kontrollér, at kædefangeren er intakt, og at den er fastmonteret på motorsavens krop.

Højrehåndsbeskyttelse

Kontrollér, at højrehåndsbeskyttelsen er intakt og uden synlige defekter, f.eks. materialerevner.

Vibrationsdæmpningssystem

Kontrollér regelmæssigt vibrationsdæmpningselementerne for materialerevner og deformationer

Kontrollér, at vibrationsdæmpningselementerne er fast forankrede mellem henholdsvis motorenhed og håndtagsenhed.

Stopkontakt

Start motoren, og kontrollér, at motoren slukkes, når stopkontakten sættes i stopposition.

Lyddæmper

Brug aldrig en maskine med en defekt lyddæmper. Kontrollér regelmæssigt, at lyddæmperen sidder fast i maskinen.

Bemærk: Gnistfangernet (A) på denne maskine kan udskiftes. **(48)** Ved eventuelle skader på nettet skal dette udskiftes. Ved et tilstoppet net overopvarmes maskinen med skader på cylinder og stempel til følge. Brug aldrig maskinen med en lyddæmper, der er i dårlig stand. **Brug aldrig en lyddæmper uden eller med defekt gnistfangernet.**

For almindelige hjemmebrugere er det ikke nødvendigt at skifte lyddæmperen og gnistfangernet.

Luftfilter

Luftfilteret skal rengøres regelmæssigt for støv og snavs for at undgå:

- Karburatorforstyrrelser
- Startproblemer
- Dårlig effekt
- Unødvendig slitage på motorens dele.
- Unormalt højt brændstofforbrug.
- Luftfilteret (3) demonteres, når cylinderdækslet, skruen (1) og luftfilterdækslet (2) er afmonteret. Ved montering skal du sørge for, at luftfilteret kommer til at slutte helt tæt mod filterholderen. Ryst eller børst filteret rent. **(49)**

En mere omhyggelig rengøring opnås ved at vaske luftfilteret i sæbevand.

Et længe brugt luftfilter kan aldrig blive helt rent. Derfor skal filteret regelmæssigt udskiftes med et nyt. **Et beskadiget luftfilter skal altid udskiftes.**

Tændrør

Tændrørets tilstand påvirkes af:

- En forkert indstillet karburator.
- En forkert olieblanding i brændstoffet (for meget eller forkert olie).
- Et snavset luftfilter.

Disse faktorer forårsager belægninger på tændrørets elektroder og kan forårsage driftsforstyrrelser og startproblemer.

Hvis maskinens effekt er for lav, hvis den er svær at starte, eller hvis tomgangen er urolig, skal du altid først kontrollere tændrøret, inden der gøres noget andet. Hvis tændrøret er tilstoppet, skal det renses, og samtidig skal det kontrolleres, at elektrodeafstanden er 0,5 mm. Tændrøret bør udskiftes efter ca. en måneds drift, eller hvis det er nødvendigt, endnu tidligere. **(50)**

Bemærk! Brug altid anbefalet tændrørstype! Forkert tændrør kan ødelægge stempel/cylinder. Kontrollér, at tændrøret har såkaldt radiosøjddæmpning.

Vedligeholdelseskema

Nedenfor vises en oversigt over det vedligeholdelsesarbejde, der skal udføres på maskinen. De fleste af punkterne er beskrevet i afsnittet Vedligeholdelse.

Dagligt eftersyn (hver 5-10 t.)	Ugentligt eftersyn (hver 10-25 t.)	Månedligt eftersyn (hver 25-40 t.)
Rengør maskinen udvendigt.	Kontrollér startmotoren, startsnoren og retur fjederen.	Kontrollér bremsebåndet på kædebremsen med hensyn til slitage. Udskift bremsebåndet, når der er mindre end 0,6 mm tilbage på det mest slidte sted.
Kontrollér, at gasreguleringens indgående dele fungerer sikkerhedsmæssigt korrekt (Gasreguleringslås og gasregulering.)	Kontrollér, at vibrationsisolatorerne ikke er beskadigede.	Kontrollér koblingscentrumet, koblingstromlen og koblingsfjederen med hensyn til slitage.
Rens kædebremsen, og kontrollér dens funktion ud fra et sikkerhedsmæssigt synspunkt. Kontrollér, at kædefangeren ikke er defekt, og udskift om nødvendigt.	Fil eventuelle ujævnheder væk på sværdets sider.	Rens tændrøret. Kontrollér, at elektrodefstanden er 0,5 mm.
Sværdet skal vendes dagligt for at få en mere jævn slitage. Kontrollér, at smørehullet i sværdet ikke er tilstoppet. Rens kædesporet. Har sværdet en næsetrisse, skal denne smøres.	Rengør karburatorrummet.	Rengør karburatoren udvendigt.
Kontrollér, at sværd og kæde får tilstrækkelig med olie.	Rens luftfilteret. Udskift om nødvendigt.	Kontrollér brændstoffilteret og brændstofslangen. Udskift om nødvendigt.
Kontrollér savkæden for synlige revner i nitter og led, hvis savkæden er sløv, eller nitter og led er unormalt slidte. Skift dem om nødvendigt.		Tøm brændstoftanken, og rengør den indvendigt.
Fil kæden, og kontrollér dens stramning og tilstand. Kontrollér, at kædedrivhjulet ikke er unormalt slidt, udskift i nødvendige tilfælde.		Tøm olietanken, og rengør den indvendigt.
Rengør luftindtaget i startaggregatet.		Kontrollér alle kabler og tilslutninger.
Kontrollér, at skruer og møtrikker er spændte.		
Kontrollér, at stopkontakten fungerer.		
Kontrollér, at hverken motor, tank eller brændstofrør lækker brændstof.		

Tekniske data

	CS 2234	CS 2238
Motor		
Cylindervolumen, cm ³	38	38
Slaglængde, mm	32	32
Tomgangsmdrejninger, o/min.	3000	3000
Effekt, kW	1,4/9000	1,5/9000
Tændingssystem		
Tændrør	Champion RCJ 7Y	Champion RCJ 7Y
Elektrodeafstand, mm	0,5	0,5
Brændstof-/smøresystem		
Volumen benzintank, liter	0,3	0,3
Kapacitet oliepumpe ved 8500 o/min., ml/min.	7	7
Volumen olietank, liter	0,19	0,19
Type af oliepumpe	Automatisk	Automatisk
Vægt		
Motorsav uden sværd, kæde samt med tomme tanke, kg	4,7	4,7
Støjemissioner (se anm. 1)		
Lydeffektniveau, målt dB(A)	115	115
Lydeffektniveau, garanteret L _{WA} dB(A)	118	118
Lydniveauer (se anm. 2)		
Ækvivalent lydtryksniveau ved brugerens øre, dB(A)	100,6	100,6
Ækvivalente vibrationsniveauer, a_{hveq} (se anm. 3)		
Forreste håndtag, m/s ²	3,7	3,7
Bageste håndtag, m/s ²	5,1	5,1
Kæde/sværd		
Standard sværdlængde, tommer/cm	14/35, 16/40	14/35, 16/40
Anbefalede sværdlængder, tommer/cm	14/35, 16/40	14/35, 16/40
Effektiv skærelængde, tommer/cm	13,5/34, 15,5/39	13,5/34, 15,5/39
Deling, tommer/mm	3/8 / 9,52	3/8 / 9,52
Tykkelse på drivled, tommer/mm	0,050/1,3	0,050/1,3
Type af drivhjul/antal tænder	6	6
Kædehastighed ved maks. effekt, m/sek.	17,1	17,1

Anm. 1: Emission af støj til omgivelserne målt som lydeffekt (L_{WA}) i henhold til Rådets direktiv 2000/14/EF.


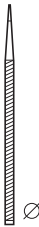
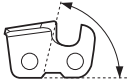
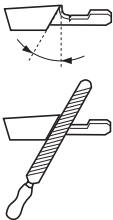

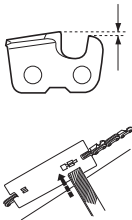
Anm. 2: Ækvivalent lydtryksniveau i henhold til ISO 22868 beregnes som den tidsvægtede energisum for forskellige lydtryksniveauer ved forskellige driftstilstande. Typisk statistisk spredning for et ækvivalent lydtryksniveau er en standardafvigelse på 1 dB (A).

Anm. 3: Ækvivalent vibrationsniveau i henhold til ISO 22867 beregnes som den tidsvægtede energisum for vibrationsniveauer ved forskellige driftstilstande. Rapporterede data for et ækvivalent vibrationsniveau har en typisk statistisk spredning (standardafvigelse) på 1 m/s².

Sværd- og kædekombinationer

Følgende skæreudstyr er godkendt til modellerne Jonsered CS 2234 og CS 2238.

Sværd				Savkæde	
Længde, tommer	Deling, tommer	Sporbredde (mm)	Maks. antal tænder, næsehjul	Type	Længde, drivled (stk.)
14	3/8	1,3	7T	Jonsered H37	52
16	3/8		7T		56
18	3/8		7T		62

					
	inch/mm				inch/mm
H37	5/32/4,0	80°	30°	0°	0.025/0,65

EF-overensstemmelseserklæring

(Gælder kun Europa)

Husqvarna AB, SE-561 82 Huskvarna, Sverige, tlf. +46-36-146500, erklærer hermed og påtager sig det fulde ansvar for, at motorsavene **Jonsered CS 2234** og **CS 2238** fra 2009 årgangsserienummer og fremad (året er angivet i klartekst på typeskiltet plus et efterfølgende serienummer) opfylder forskrifterne i RÅDETS DIREKTIV:

- af den 17. maj 2006 "angående maskiner" **2006/42/EF**
- af den 15. december 2004 "angående elektromagnetisk kompatibilitet" **2004/108/E F**.
- af den 8. maj 2000 "angående emission af støj til omgivelserne" **2000/14/EF**.

Oplysninger om støjemissioner fremgår af kapitlet Tekniske data. Følgende standarder er opfyldt: **EN ISO 12100-2:2003**, **CISPR 12:2001**, **EN ISO 11681-1:2004**

Udpeget organ: **0404, SMP Svensk Maskinprovning AB**, Fyrisborgsgatan 3, SE-754 50 Uppsala, Sverige, har foretaget EF-typegodkendelse i henhold til maskindirektivets (2006/42/EF) artikel 12, punkt 3b. Attester vedrørende EF-typegodkendelse i henhold til bilag IX har nummer: **0404/09/2048**.

Endvidere har SMP, Svensk Maskinprovning AB, Fyrisborgsgatan 3, SE-754 50 Uppsala, Sverige, bekræftet, at bestemmelserne i bilag V til Rådets direktiv af den 8. maj 2000 "angående emission af støj til omgivelserne" 2000/14/EF opfyldes. Certifikaterne har nummer: **26/161/003** - CS 2234, **26/161/004** - CS 2238.

Den leverede motorsav er i overensstemmelse med det produkt, der er godkendt i henhold til EF-typegodkendelse.

Huskvarna 29. december 2009



Ronnie E. Goldman, Teknisk direktør. (Autoriseret repræsentant for Husqvarna AB og ansvarlig for teknisk dokumentation).

Kjære kunde

Gratulerer med ditt valg om å kjøpe et Jonsered-produkt!

Vi er overbevist om at du vil sette pris på vårt produkts kvalitet og yteevne i lang tid fremover. Et kjøp av et av våre produkter gir deg tilgang til profesjonell hjelp med reparasjoner og service dersom noe tross alt skulle skje. Hvis maskinen ikke er kjøpt hos en av våre autoriserte forhandlere, så spør dem etter nærmeste serviceverksted.

Vi håper du vil bli fornøyd med maskinen din og at den vil være din følgesvenn i lang tid fremover. Husk at denne bruksanvisningen er et verdipapir. Ved å følge dens innhold (bruk, service, vedlikehold osv.) kan du vesentlig forlenge maskinens levetid og også øke dens brukstverdi. Sørg for å overlate bruksanvisningen til den nye eieren hvis du selger maskinen din.

Lykke til med bruken av ditt Jonsered-produkt!

Jonsered arbeider løpende med å videreutvikle sine produkter, og forbeholder seg derfor retten til endringer vedrørende bl.a. form og utseende uten varsel.

Symboler p maskinen:

ADVARSEL! Motorsager kan være farlige! Uforsiktig eller feilaktig bruk kan resultere i alvorlige skader eller dødsfall for brukeren eller andre.

Les nøye gjennom bruksanvisningen og forstå innholdet før du bruker maskinen.

Bruk alltid:

- Godkjent vernehjelm
- Godkjent hørselsvern
- Vernebriller eller visir

Dette produktet er i overensstemmelse med gjeldende CE-direktiv.

Støyutslipp til omgivelsene ifølge EFs direktiv. Maskinens utslipp angis i kapitlet Tekniske data og på klistremerke.

Brukeren må alltid bruke begge hendene til å betjene motorsagen.

Bruk aldri en motorsag ved å holde den bare med én hånd.

Sverdspissen må ikke komme i kontakt med noen gjenstander.

ADVARSEL! Kast kan oppstå når sverdspissen kommer i kontakt med en gjenstand og forårsaker en reaksjon som kaster sverdet oppover og bakover mot brukeren. Dette kan forårsake alvorlig personskade.

Kjedebrems, aktivert (venstre) Kjedebrems, ikke aktivert (høyre)



Øvrige symboler/klistremerker angitt på maskinen gjelder spesifikke krav for sertifiseringer på visse markeder.

Hva er hva på motorsagen? (1)

1	Informasjons- og advarselsetikett
2	Sylinderdeksel
3	Brennstoffpumpe
4	Starthåndtak
5	Chokespak/Startgassperre
6	Stoppbryter (På- og avslagning av tenning.)
7	Bakre håndtak
8	Brennstofftank
9	Justeringskrue for forgasser
10	Startmotor
11	Kjedeoljetank
12	Produkt- og serienummerskilt
13	Gassregulatorspærre (Hindrer ufrivillig gasspådrag.)
14	Fremre håndtak
15	Kastbeskyttelse
16	Lyddemper
17	Sagsverd
18	Nesehjul
19	Sagkjede
20	Barkstøtte
21	Kjedefanger
22	Kjedestrammerskrue
23	Koplingsdeksel
24	Bakre håndtak med høyrehåndsbeskyttelse
25	Gassregulator
26	Bruksanvisning
27	Kombinøkkel
28	Sverdbeskyttelse

Innhold

INNLEDNING	
Kjære kunde	105
Symboler på maskinen:	105
Hva er hva på motorsagen?	106
INNHOLD	
Innhold	106
GENERELLE SIKKERHETSINSTRUKSJONER	
Tiltak før bruk av en ny motorsag	107
Viktig	107
Bruk alltid sunn fornuft	107
Personlig verneutstyr	108
Maskinens sikkerhetsutstyr	108
Skjæreutstyr	109
MONTERING	
Montering av sverd og kjede	112
BRENNSTOFFHÅNTERING	
Brennstoff	113
Fylling av brennstoff	113
Brennstoffsikkerhet	114
START OG STOPP	
Start og stopp	114
ARBEIDSTEKNIKK	
Før hver gangs bruk:	115
Generelle arbeidsinstruksjoner	115
Kastforebyggende tiltak	118
VEDLIKEHOLD	
Generelt	119
Forgasserjustering	119
Kontroll, vedlikehold og service på motorsagens sikkerhetsutstyr	119
Lyddemper	120
Luftfilter	120
Tennplugg	120
Vedlikeholdsskjema	121
TEKNISKE DATA	
Tekniske data	122
Sverd og kjedekombinasjoner	123
EF-erklæring om samsvar	123

Tiltak før bruk av en ny motorsag

- Les nøye gjennom bruksanvisningen.
- **(1) - (50)** viser til illustrasjoner på side 2-5.
- Kontroller skjæreutstyrets montering og justering. Se anvisninger under overskriften Montering
- Fyll bensin og start motorsagen. Se anvisninger under overskriftene Håndtyring av brennstoff og Satt og Stopp.
- Bruk ikke motorsagen før nok kjedesmørøleje har nådd sagkjedet. Se anvisninger under overskriften Smøring av skjæreutstyret.
- Langvarig eksponering overfor støy kan gi varige hørselsskader. Bruk derfor alltid godkjent hørselsvern.



ADVARSEL! Maskinens opprinnelige konstruksjon må ikke under noen omstendighet endres uten produsentens tillatelse. Bruk alltid originalt tilleggsutstyr. Uautoriserte endringer og/eller tilleggsutstyr kan medføre alvorlige skader eller dødsfall for brukeren eller andre.



ADVARSEL! En motorsag som brukes skjedesløst eller galt kan være et farlig redskap som kan forårsake alvorlige, til og med livstruende skader. Det er meget viktig at du leser og forstår innholdet i denne bruksanvisningen.



ADVARSEL! Lyddemperen inneholder kjemikalier som kan være kreftfremkallende. Unngå kontakt med disse elementene dersom lyddemperen blir skadd.



ADVARSEL! Langvarig innånding av motorens avgasser, kjedeoljetåke og støv fra sagspon kan utgjøre en helsefare.



ADVARSEL! Denne maskinen skaper et elektromagnetisk felt når den er i bruk. Dette feltet kan under visse omstendigheter forstyrre aktive eller passive medisinske implantater. For å redusere risikoen for alvorlig eller livstruende skade, anbefaler vi at personer med medisinske implantater rådfører seg med sin lege og produsenten av det medisinske implantatet før denne maskinen tas i bruk.

Viktig

VIGTIG!

Maskinen er bare konstruert for saging i tre.

Du bør kun bruke de sverd/sagkjedekombinasjoner vi anbefaler i kapitlet Tekniske data.

Bruk aldri maskinen hvis du er trett, har drukket alkohol eller bruker medisiner som kan påvirke syn, vurderingsevne eller kropps kontroll.

Bruk personlig verneutstyr. Se anvisninger under overskriften Personlig verneutstyr.

Modifiser aldri denne maskinen slik at den ikke lenger stemmer overens med originalutførelsen, og bruk den ikke hvis den synes å ha blitt modifisert av andre.

Bruk aldri en maskin som det er noe galt med. Følg vedlikeholds-, kontroll- og serviceinstruksjonene i denne bruksanvisningen. Noen vedlikeholds- og servicetiltak må utføres av erfarne og kvalifiserte spesialister. Se anvisninger under overskriften Vedlikehold.

Bruk aldri annet tilleggsutstyr enn det som er anbefalt i denne bruksanvisningen. Se avvisninger under overskriftene Skjæreutstyr og Tekniske data.

OBS! Bruk alltid vernebriller eller ansiktsvisir for å redusere risikoen for skader fra gjenstander som slynges ut. En motorsag kan slynge i vei gjenstander som sagspon, små trebiter osv. med stor kraft. Dette kan forårsake alvorlig skade, spesielt på øynene.



ADVARSEL! Å kjøre en motor i et innestengt eller dårlig ventilert rom kan forårsake dødsfall ved kveling eller karbonmonoksidforgiftning.



ADVARSEL! Feil skjæreutstyr eller feil sverd/sagkjedekombinasjon øker risikoen for kast! Bruk bare de sverd/sagkjedekombinasjonene vi anbefaler, og følg instruksjonene for filing. Se anvisninger under overskriften Tekniske data.

Bruk alltid sunn fornuft (2)

Det er umulig å dekke alle tenkelige situasjoner du kan stilles overfor ved bruk av motorsag. Vær alltid forsiktig og bruk sunn fornuft. Unngå situasjoner du ikke føler deg tilstrekkelig kvalifisert for. Hvis du etter å ha lest disse instruksjonene fortsatt føler deg usikker vedrørende bruken, skal du rådføre deg med en ekstert før du fortsetter. Ikke nøl med å kontakte din forhandler eller oss dersom du har spørsmål vedrørende bruk av motorsag. Vi står gjerne til tjeneste og gir deg råd som hjelper deg å bruke din motorsag på en bedre og sikrere måte. Ta gjerne opplæring i bruk av motorsag. Din forhandler, skogpleieskole eller ditt bibliotek kan opplyse deg om hvilket opplæringsmateriell og hvilke kurs som er tilgjengelige. Det pågår et løpende arbeid med å forbedre design og teknikk - forbedringer som øker din sikkerhet og effektivitet. Besøk din forhandler jevnlig for å se hvilken nytte du kan ha av de nyhetene som lanseres.

Personlig verneutstyr



ADVARSEL! De fleste motorsagsulykker inntreffer når sagkjedet treffer brukeren. Ved all bruk av maskinen skal det brukes godkjent personlig verneutstyr. Personlig verneutstyr eliminerer ikke skaderisikoen, men det reduserer virkningen av en skade hvis ulykken skulle være ute. Be forhandleren om hjelp ved valg av utstyr.

- Godkjent vernehjelm
- Hørselsvern
- Vernebriller eller visir
- Hansker med sagvern
- Bukser med sagvern
- Støvler med sagvern, ståltupp og sklissikker såle
- Førstehjelpsutstyr må alltid finnes for hånden.
- Brannslukkingsapparat og spade

Klærne bør ellers være ettersittende uten å begrense bevegelsesfriheten.

VIGTIG! Det kan kome gnister fra lyddemperen, sverdet og kjedet eller annen kilde. Ha alltid verktøy for brannsløkking for hånden i tilfelle du skulle trenge det. På den måten hjelper du til å forhindre skogbrann.

Maskinens sikkerhetsutstyr

I dette avsnittet forklares hva maskinens sikkerhetsdetaljer er, samt deres funksjon. For kontroll og vedlikehold, se anvisninger under overskriften Kontroll, vedlikehold og service av motorsagens sikkerhetsutstyr. Se anvisninger under overskriften Hva er hva? for å se hvor disse detaljene er plassert på din maskin.

Maskinens levetid kan forkortes og risikoen for ulykker kan øke dersom vedlikehold av maskinen ikke utføres på riktig måte og dersom service og/eller reparasjoner ikke er fagmessig utført. Kontakt nærmeste serviceverksted dersom du trenger ytterligere opplysninger.



ADVARSEL! Bruk aldri en maskin med defekt sikkerhetsutstyr. Sikkerhetsutstyret skal kontrolleres og vedlikeholdes. Se anvisninger under overskriften Kontroll, vedlikehold og service av motorsagens sikkerhetsutstyr. Hvis maskinen ikke består alle kontrollene, må serviceverksted oppsøkes for reparasjon.

Kjedebremser med kastbeskyttelse

Din motorsag er utstyrt med kjedebremser som er konstruert slik at den stanser sagkjedet ved kast. En kjedebremser reduserer faren for ulykker, men det er bare du som bruker som kan hindre at de oppstår.

Vær forsiktig ved bruk og påse at sverdet/skastrisikosektor aldri kommer i berøring med noe.

- Kjedebremsen (A) aktiveres enten manuelt (via vendtreshånden) eller med tregthetsfunksjonen. **(3)**
- Aktivering skjer når kastbeskyttelsen (B) føres fremover. **(3)**

- Denne bevegelsen aktiverer en fjærspennet mekanisme som spenner bremsebåndet (C) rundt motorens kjededriftssystem (D) (koplingstrømmelen). **(4)**
- Kastbeskyttelsen er ikke bare konstruert for å aktivere kjedebremsen. En annen meget viktig funksjon er at den reduserer faren for at venstrehånden skal treffe sagkjedet hvis man mister taket rundt det fremste håndtaket.
- Kjedebremsen skal alltid være på når motorsagen startes for å hindre kejetet i å rotere.
- Bruk kjedebremser som 'parkeringsbremser' ved start samt ved kortere forflytting for å hindre ulykker der bruker eller omgivelser ufrivillig kan komme i kontakt med sagkjedet i bevegelse.
- Kjedebremsen frikoples ved at kastbeskyttelsen føres bakover, mot det fremste håndtaket.
- Kast skje lynraskt og meget voldsomt. De fleste kast er små og fører ikke alltid til at kjedebremsen aktiveres. Ved slike kast gjelder det å holde motorsagen i et fast grep og ikke slippe den.
- Om kjedebremsen aktiveres manuelt eller via tregthetsfunksjonen styres av hvor voldsomt kastet er, og av motorsagens posisjon i forhold til det som kastrisikosektoren på sverdet har kommet i kontakt med.

Ved voldsomme kast og når sverdet/skastrisikosektor befinner seg så langt borte fra brukeren som mulig, er kjedebremsen konstruert slik at den aktiveres av kjedebremsens motvekt (tregthet) i kastretningen.

Ved mindre voldsomme kast eller i arbeidssituasjoner hvor kastrisikosektoren befinner seg nær brukeren, aktiveres kjedebremsen manuelt med venstre hånd.

- Ved felling er venstrehånden i en stilling som umuliggjør aktivering av kjedebremsen. Ved denne typen grep, dvs. når venstre hånd er plassert slik at den ikke kan utløse kastbeskyttelsen, kan kjedebremsen bare aktiveres via tregthetsfunksjonen.

Vil min hånd alltid aktivere kjedebremsen ved kast?

Nei. Det kreves en viss kraft for å føre kastbeskyttelsen forover. Hvis hånden din bare streifer lett borti kastbeskyttelsen eller glir over den, kan det hende at kraften ikke er tilstrekkelig sterk til å utløse kjedebremsen. Du skal også ha et fast grep om motorsagens håndtak når du arbeider. Hvis du gjør det og får et kast, slipper du kanskje taket i det fremre håndtaket og aktiverer ikke kjedebremsen, eller så aktiveres kjedebremsen først når saken har rukket å svinge et godt stykke rundt. I en slik situasjon kan det hende at kjedebremsen ikke rekker å stanse kjedet før det treffer deg.

Det forekommer også visse arbeidsstillinger som gjør at hånden din ikke kan nå kastbeskyttelsen for å aktivere kjedebremsen, f.eks. når saken holdes i fellingstilling.

Vil tregthetsaktivering av kjedebremsen alltid skjer hvis det inntreffer et kast?

Nei. For det første må bremsen din fungere. Det er lett å teste bremsen, se anvisninger under overskriften Kontroll, vedlikehold og service av motorsagens

sikkerhetsutstyr. Vi anbefaler at du gjør dette før du påbegynner hver arbeidsøkt. For det andre må kastet være tilstrekkelig kraftig for å aktivere kjedebremsen. Hvis kjedebremsen hadde vært for følsom, ville den aktiveres stadig vekk, og det ville være tungvint.

Vil kjedebremsen alltid beskytte meg mot skader hvis et kast inntreffer?

Nei. For det første må bremsen din fungere for å gi den tiltenkte beskyttelsen. For det andre må den aktiveres som beskrevet over for å stanse sagkjedet ved et kast. For det tredje kan kjedebremsen aktiveres, men hvis sverdet er for nær deg, kan det hende at bremsen ikke rekker å bremse og stanse kjedet før motorsagen treffer deg.

Det er bare du selv og en korrekt arbeidsteknikk som kan eliminere kast og dets farer.

Gassregulatorsperre

Gassregulatorsperren er konstruert for å hindre at gassregulatoren aktiveres ufrivillig. Når sperren (A) trykkes ned i håndtaket (= når man holder rundt håndtaket), frikoples gassregulatoren (B). Når grepet rundt håndtaket slippes, tilbakestilles både gassregulatoren og sperren til sin opprinnelige posisjon. Denne posisjonen innebærer at gassregulatoren automatisk låses på tomgang. (5)

Kjedefanger

Kjedefangeren er konstruert for å fange opp et avhoppet eller avslitt kjede. Dette unngås i de fleste tilfeller ved korrekt kjedespenning (se anvisninger under overskriften Montering) og korrekt vedlikehold og service på sverd og kjede (se anvisninger under overskriften Generelle arbeidsinstruksjoner).

Høyrehåndsvern

Høyrehåndsvernet skal beskytte hånden hvis kjedet hopper av eller ryker, og sørge for at greiner og kvister ikke påvirker grepet rundt det bakerste håndtaket.

Avvibreringssystem

Din maskin er utstyrt med et avvibreringssystem som er konstruert for å gi en mest mulig vibrasjonsfri og behagelig bruk.

Maskinens avvibreringssystem reduserer overføringen av vibrasjoner mellom motorenhet/skjæreutstyr og maskinens håndtak. Motorsagkroppen, inklusive skjæreutstyr, er opphengt i håndtaksdelen med såkalte avvibreringselementer.

Saging i harde treslag (de fleste løvtrær) gir mer vibrasjoner enn saging i myke treslag (de fleste bartrær). Saging med uskarpt eller feil skjæreutstyr (feil type eller feil fill), øker vibrasjonsnivået.



ADVARSEL! Overeksponering for vibrasjoner kan føre til blodkar- eller nerveskader hos personer som har blod sirkulasjonsforstyrrelser. Oppsøkk lege hvis du opplever fysiske symptomer som kan relateres til overeksponering for vibrasjoner. Eksempel på slike symptomer er dovnjing, manglende følelse, "kiling", "stikk", smerte, manglende eller redusert styrke, forandringer i hudens farge eller overflate. Disse symptomene opptrer vanligvis i fingrer, hender eller håndledd. Disse symptomene kan øke ved lave temperaturer.

Stoppbryter

Stoppbryteren skal brukes for å slå av motoren.

Lyddemper

Lyddemperen er konstruert for å redusere lydnivået samt for å lede bort motorens avgasser fra brukeren.



ADVARSEL! Motorens avgasser er varme og kan inneholde gnister som kan forårsake brann. Start derfor aldri maskinen innendørs eller i nærheten av lettantennelig materiale!

I områder med varmt og tørt klima kan faren for brann være stor. Det forekommer at disse områdene er regulert ved lovgivning og forskrifter om at lyddemperen blant annet skal være utstyrt med godkjent gnistfangernett (A). (6)



OBS! Lyddemperen blir meget varm både under bruk og etter stopp. Dette gjelder også tomgangskjøring. Vær oppmerksom på brannfaren, spesielt ved håndtering nær brannfarlige stoffer og/eller gasser.



ADVARSEL! Bruk aldri en motorsag uten eller med defekt lyddemper. En defekt lyddemper kan øke lydnivået og brannfaren betraktelig. Ha verkøy for brannsløkking tilgjengelig. Bruk aldri en motorsag uten eller med defekt gnistfangernett dersom gnistfangernett er påbudt i ditt arbeidsområde.

Skjæreutstyr

Dette avsnittet omhandler hvordan du ved korrekt vedlikehold og bruk av riktig type skjæreutstyr:

- Gjør maskinen mindre utsatt for kast.
- Reduserer forekomsten av sagkjedeavhopp og sagkjedebrudd.
- Gir optimal skjæreytelse.
- Øker skjæreutstyrets levetid.
- Unngår økning av vibrasjonsnivåer.

Grunnregler

- **Bruk bare det skjæreutstyret vi anbefaler!** Se anvisninger under overskriften Tekniske data.
- **Hold sagkjedets tenner godt og korrekt fitt!** Følg våre instruksjoner og bruk anbefalt filmal. Et sagkjede som er slipt feil eller skadet øker risikoen for ulykker.
- **Hold korrekt understilling!** Følg våre instruksjoner og bruk anbefalt understillingsmal. For stor understilling øker risikoen for kast.
- **Hold sagkjedet stramt!** Et kjede som er for slakt øker risikoen for sagkjedeavhopp og gir større slitasje på sverd, sagkjede og sagkjedets drivhjul.
- **Sørg for god smøring og korrekt vedlikehold av skjæreutstyret!** Utilstrekkelig smøring av sagkjedet øker risikoen for sagkjedebrudd og øker slitasjen på sverd, sagkjede og sagkjedets drivhjul.

Kastreduserende skjæreutstyr



ADVARSEL! Feil skjæreutstyr eller feil sverd/sagkjedekombinasjon øker risikoen for kast! Bruk bare de sverd/sagkjedekombinasjonene vi anbefaler, og følg instruksjonene for filing. Se anvisninger under overskriften Tekniske data.

Kast kan bare unngås ved at du som bruker sørger for at sverdet kastrisikosektor aldri kommer i kontakt med en gjenstand.

Ved å bruke skjæreutstyr med "innebygd" kastreduksjon og å file og vedlikeholde sagkjedet korrekt, kan effekten av et kast reduseres.

Sverd

Jo mindre neseadius, desto lavere risiko for kast.

Sagkjede

Et sagkjede er oppbygd av et antall ulike lenker som leveres både i standard- og kastredusert utførelse.

VIGTIG! Ingen sagkjeder eliminerer risikoen for kast.



ADVARSEL! Enhver kontakt med en roterende sagkjede kan forårsake svært alvorlige skader.

Noen uttrykk som spesifiserer sverd og sagkjede

For å opprettholde alle sikkerhetsdetaljer på skjæreutstyret, bør du erstatte slitte og skadde sverd-/kjedekombinasjoner med et sverd og et kjede som Jonserved anbefaler. Se anvisninger under overskriften Tekniske data for informasjon om hvilke sverd-/kjedekombinasjoner vi anbefaler.

Sverd

- Lengde (tommer/cm)
- Antall tenner i nesehullet (T).
- Sagkjededeling (=pitch) (tommer). Sverdet nesehjul og motorsagens kjededrivhjul må være tilpasset til avstanden mellom drivlenkene.

- Antall drivlenker (stk). Hver sverdlengde gir, i kombinasjon med sagkjededeling og antall tenner i nesehullet, et bestemt antall drivlenker.
- Sverdsporbredde (tommer/mm). Sverdsporets bredde må være tilpasset til bredden på sagkjedets drivlenke.
- Sagkjedehull og hull for kjedestrammertapp. Sverdet må være tilpasset motorsagens konstruksjon.

Sagkjede

- Sagkjededeling (=pitch) (tommer)
- Drivlenkebredde (mm/tommer)
- Drivlenkeantall (stk.)

Filing og justering av understilling for sagkjede



ADVARSEL! Bruk alltid hansker når du arbeider med kjedet for å beskytte hendene mot skade.

Generelt angående filing av skjærtenner

- Sag aldri med sløvt sagkjede. Et tegn på at sagkjedet er sløvt er at du må presse skjæreutstyret gjennom treet og at tresponene er meget små. Et meget sløvt sagkjede gir ikke trespon i hele tagg. Det gir bare sagflis.
- Et godt skjærpet sagkjede eter seg gjennom treet selv og gir trespon som er store og lange.
- Den sagende delen av et sagkjede kalles tannlenke og består av en skjærtann (A) og en rytter (B). Høydeavstanden mellom disse avgjør skjæredybden. (7)

Ved filing av skjærtenner er det fire mål som må tas hensyn til.

- 1 Filingvinkel
- 2 Støtvinkel
- 3 Filstilling
- 4 Rundfildiameter

Det er meget vanskelig å file sagkjedet korrekt uten hjelpemiddel. Derfor anbefaler vi at du bruker vår filmal. Den sikrer at sagkjedet files med optimal kastreduksjon og skjærekapasitet.

Se anvisninger under oevrskriften Tekniske data angående hvilke data som gjelder ved filing av din motorsags sagkjede.



ADVARSEL! Avvik fra filingsinstruksjonen gir en betydelig større fare for kast.

Filing av skjærtenner

Til filing av skjærtenner trengs en rundfil og en filmal. Se anvisninger under overskriften Tekniske data angående hvilken rundfildiameter og hvilken filmal som anbefales til sagkjedet på din motorsag.

- Kontroller at sagkjedet er stramt. For dårlig stramming gjør sagkjedet ustabil i sideretningen, noe som gjør det vanskelig å file korrekt.
- Fil alltid fra skjærtannens innside og utover. Løft filen når den føres tilbake. Fil alle tennene på den ene

GENERELLE SIKKERHETSINSTRUKSJONER

siden først, deretter snus motorsagen og tennene på den andre siden files.

- Fil slik at alle tennene blir like lange. Når det bare gjenstår 4 mm (0,16") av skjærtennenes lengde, er sagkjedet utslitt og må kastes. (8)

Generelt angående justering av understilling

- Ved filing av skjærtennene reduseres understillingen (=skjæredybden). For å beholde maksimal skjærekapasitet må rytteren senkes til anbefalt nivå. Se anvisninger under overskriften Tekniske data angående hvor stor understillingen skal være på ditt din motorsags sagkjede.



ADVARSEL! For stor understilling øker sagkjedets risiko for kast!

Justering av understilling

- Når understillingen justeres, må skjærtennene være nyfilt. Vi anbefaler at understillingen justeres hver tredje gang sagkjedet files. OBS! Denne anbefalingen forutsetter at skjærtennenes lengde ikke er filt unormalt langt ned.
- Til justering av understillingen trengs en flatfil og en understillingsmal. Vi anbefaler at du bruker vår filmal for understilling for å få riktig understillingsmål og riktig vinkel på rytteren.
- Legg filmalen over sagkjedet. Informasjon om bruk av filmalen er å finne på emballasjen. Bruk flatfilen for å file vekk overskuddet på den overskytende delen av rytteren. Understillingen er korrekt når det ikke merkes motstand når du drar filen over malen.

Stramming av sagkjedet



ADVARSEL! Et for slakt sagkjede kan føre til at kjedet hopper av, noe som kan forårsake alvorlig, til og med livstruende skade.



ADVARSEL! Bruk alltid godkjente vernehansker. Selv et kjede som ikke beveger seg kan forårsake alvorlige skader åp brukeren eller andre som kommer til kjedet.

Jo mer du bruker et sagkjede, jo lengre blir det. Det er viktig at skjæreutstyret justeres etter denne forandringen. Strammingen av sagkjedet skal kontrolleres hver gang du fyller bensin. OBS! Et nytt sagkjede trenger en innkjøringsperiode der man kontrollerer sagkjedestrømmingen oftere.

Generelt skal sagkjedet strammes så hardt som mulig, men ikke hardere enn at det lett kan dras rundt for hånd. (9)

- Sverdmutrene som låser koplingsdekslet/kjedebremsen løsnes. Bruk kombinøkkelen. Trekk deretter til sverdmutrene med håndkraft så hardt du kan. (10)
- Løft opp sverdspissen og stram sagkjedet ved å skru på sagkjedets strammeskruer med kombinøkkelen. Stram sagkjedet til det ikke er slakk på undersiden av sverdet. (11)

- Bruk kombinøkkelen og trekk til sverdmutrene samtidig som du holder opp sverdspissen. Kontroller at sagkjedet lett kan dras rundt for hånd og at det ikke henger ned på undersiden av sverdet. (12)

Smøring av skjæreutstyret



ADVARSEL! For dårlig smøring av skjæreutstyret kan resultere i sagkjedebrudd som kan medføre alvorlig, til og med livstruende skade.

Sagkjedeolje

En sagkjedeolje må ha god vedheft til kjedet samt ha gode flyteegenskaper uansett om det er varmt eller kaldt.

Som motorsagsprodusent har vi utviklet en optimal sagkjedeolje som gjennom sin vegetabiliske base dessuten er biologisk nedbrytbar. Vi anbefaler deg å bruke vår olje for å maksimere både sagkjedets og miljøets levetid. Dersom vår sagkjedeolje ikke er tilgjengelig, anbefales vanlig sagkjedeolje.

Bruk aldri spillolje! Den er skadelig både for deg, maskinen og miljøet.



VIGTIG! Ved bruk av vegetabilisk sagkjedeolje, demonter og rengjør sverdspor og sagkjede før lengre tids oppbevaring. Ellers er det fare for at sagkjedeoljen oksiderer, hvilket medfører at sagkjedet blir stivt og sverdets nesehjul setter seg fast.

Påfylling av sagkjedeolje

- Alle motorsagsmodellene våre har automatisk smøring av sagkjedet. En del av modellene kan også fås med justerbar oljetilførsel.
- Sagkjedeoljetanken og bensintanken er dimensjonert slik at bensinen skal ta slutt før sagkjedeoljen tar slutt. Denne sikkerhetsfunksjonen forutsetter imidlertid at man bruker korrekt sagkjedeolje (en olje som er for tynn og lettflytende tømmer oljetanken før bensinen tar slutt), at man følger vår anbefalte forgasserinnstilling (en for "mager" innstilling gjør at bensinen holder lenger enn kjedeoljen) og at man følger våre anbefalinger når det gjelder skjæreutstyr (et sverd som er for langt krever mer kjedeolje).

Kontroll av sagkjedesmøring

- Kontroller sagkjedesmøringen hver gang du fyller brennstoff. Se anvisninger under overskriften Smøring av sverdets nesehjul. Rett sverdspissen mot noe fast og lyst i en avstand på ca 20 cm (8 tum). Etter 1 minutt kjøring på 3/4 gass skal det vises en tydelig oljestrype på den lyse flaten.

Hvis sagkjedesmøringen ikke fungerer:

- Kontroller at sverdets sagkjedeoljekanal er åpen. Rengjør ved behov.
- Kontroller at sverdsporet er rent. Rengjør ved behov.
- Kontroller at sverdets nesehjul går lett og at nesehulets smørehull er åpent. Rengjør og smør ved behov.

Hvis sagkjedesmøringen ikke fungerer etter gjennomgang av de kontrollene og tiltakene som er nevnt ovenfor, må du oppsøke serviceverksted.

Kjededrivhjul

Koplingstrømmelen er utstyrt med et Spur-drivhjul (Kjededrivhjulet loddet fast på trommelen).

Kontroller slitasjenivået på kjededrivhjulet regelmessig. Skift det hvis det er unormalt slitt. Kjededrivhjul skal skiftes hver gang sagkjedet skiftes.

Kontroll av slitasje på skjæreutstyret

Kontroller sagkjedet hver dag med tanke på:

- Synlige sprekker i nagler og lenker.
- Om sagkjedet er stivt.
- Om nagler og lenker er unormalt kraftig slitt.

Skift sagkjedet hvis det oppviser ett eller flere av ovennevnte punkter.

Vi anbefaler at det brukes et nytt sagkjede som mål på hvor slitt det sagkjedet du nå bruker er.

Når det gjenstår bare 4 mm av lengden på skjærtannen, er sagkjedet utslitt og må kastes.

Sverd

Kontroller regelmessig:

- Om det har dannet seg grader på utsidene av sverdbommene. Fil bort ved behov. **(13A)**
- Om sverdsporet er unormalt slitt. Skift sverd ved behov. **(13B)**
- Om sverdnosen er unormalt eller ujevnt slitt. Hvis det har dannet seg en "grop" der sverdnosens radius slutter på sverdet underside, har du kjørt med for slakt sagkjede.
- For maksimal levetid bør sverdet snus hver dag.



ADVARSEL! De fleste motorsagsulykker inntreffer når sagkjedet treffer brukeren.

Bruk personlig verneutstyr. Se anvisninger under overskriften Personlig verneutstyr.

Unngå all bruk som du ikke føler deg tilstrekkelig kvalifisert for. Se anvisninger under overskriften Personlig verneutstyr, Kastforebyggende tiltak, Skjæreutstyr og Generelle arbeidsinstruksjoner.

Unngå situasjoner der det er risiko for kast. Se anvisninger under overskriften Maskinens sikkerhetsutstyr.

Bruk anbefalt skjæreutstyr og kontroller at det er i god stand. Se anvisninger under overskriften Generelle arbeidsinstruksjoner.

Kontroller at motorsagens sikkerhetsutstyr fungerer. Se anvisninger under Generelle arbeidsinstruksjoner og Generelle sikkerhetsinstruksjoner.

Montering av sverd og kjede



ADVARSEL! Kontroll og/eller vedlikehold skal utføres med avslått motor. Stoppekontakten går automatisk tilbake til startstilling. For å unngå ufrivillig start, må derfor tennpluggen alltid tas av tennpluggen ved montering, kontroll og/eller vedlikehold.

Bruk alltid hansker når du arbeider med kjedet for å beskytte hendene mot skade.

Kontroller at kjedebremsen ikke er i utløst stilling ved å føre kjedebremsens kastbeskyttelse mot den fremre håndtaksbøylen.

Skrut ut sverdmutrene og demonter kopplingsdekslet (kjedebremsen). Fjern transportbeskyttelsen. (A) **(14)**

Monter sverdet over sverdboltene. Plasser sverdet i bakerste stilling. Legg kjedet over drivhjulet og i sverdsporet. Begynn på oversiden av sverdet. **(15)**

Kontroller at eggen på tannlenkene er vendt forover på oversiden av sverdet.

Monter kopplingsdekslet (kjedebremsen) og finn kjedestrammertappen i sverdet uttak. Kontroller at kjedets drivledd passer på kjededrivhjulet, og at kjedet ligger rett i sverdsporet. Trekk til sverdmutrene med fingrene. **(16)**

Stram kjedet ved å skru kjedestrammerskruen med klokken med kombinøkkelen. Kjedet skal strammes til det ikke henger ned på undersiden av sverdet. Se anvisninger under overskriften Stramming av sagkjedet. **(17)**

Kjedet er korrekt strammet når det ikke henger ned på undersiden av sverdet og fremdeles kan dras lett rundt for hånd. Trekk til sverdmutrene med kombinøkkelen samtidig som sverdspissen holdes oppe. **(18)**

På et nytt kjede må kjedespenningen kontrolleres ofte til kjedet er kjørt inn. Kontroller kjedespenningen regelmessig. Riktig kjede betyr god skjærekapasitet og lang levetid. **(19)**

Montering av barkstøtte

For montering av barkstøtte, kontakt ditt serviceverksted.

Brennstoff

Bemerk! Maskinen er utstyrt med totaktsmotor og må alltid kjøres på en blanding av bensin og totaktsolje. For å sikre riktig blandingsforhold, er det viktig at oljemengden som skal blandes måles nøyaktig. Ved blanding av små mengder brennstoff vil selv små feil i oljemengden virke kraftig inn på blandingsforholdet.



ADVARSEL! Sørg for god luftventilasjon ved håndtering av brennstoff.

Bensin

- Bruk blyfri eller blyholdig kvalitetsbensin.
- Anbefalt laveste oktantall er 90 (RON). Hvis man kjører motoren på bensin med lavere oktantall enn 90, kan det medføre banking. Dette medfører økt motortemperatur og økt lagerbelastning, som kan resultere i alvorlige motorhavarier.
- Ved arbeid med kontinuerlig høye turtall (f.eks. kvesting), anbefales høyere oktantall.

Innkjøring

Kjøring på altfor høyt turtall i lengre perioder skal unngås de første 10 timene.

Totaktsolje

- For beste resultat og yteevne, bruk JONSERED totakts motorolje som er lagd spesielt for våre luftkjølte totaktsmotorer.
- Bruk aldri totaktsolje beregnet til vannkjølte påhengsmotorer, såkalt outboardoil (med betegnelsen TCW).
- Bruk aldri olje beregnet på firetaktsmotorer.
- Lav oljekvalitet eller for fet olje/bensinblanding kan svekke katalysatorens funksjon og forkorte dens levetid.

Blandingsforhold

1:50 (2 %) med JONSERED totaktsolje.

1:33 (3 %) med andre oljer lags for luftkjølte totaktsmotorer klassifisert for JASO FB/ISO EGB.

Bensin, liter	Totaktsolje, liter	
	2% (1:50)	3% (1:33)
5	0,10	0,15
10	0,20	0,30
15	0,30	0,45
20	0,40	0,60

Blanding

- Bensin og olje må alltid blandes i en ren beholder som er godkjent for bensin.
- Begynn alltid med å helle i halvparten av bensinen som skal blandes. Hell deretter i hele oljemengden. Bland (rist) brennstoffblandingen. Fyll på resten av bensinen.
- Bland (rist) brennstoffblandingen omhyggelig før den fylles over på maskinens brennstofftank.
- Bland ikke drivstoff for mer enn maks. 1 månedes behov.
- Hvis maskinen ikke brukes over en lengre periode, skal brennstofftanken tømmes og rengjøres.

Kjedeolje

- Til smøring anbefaler en spesiell olje (kjedesmøreolje) med god hefteevne.
- Bruk aldri spillolje. Dette medfører skader på oljepumpe, sverd og kjede.
- Det er viktig å bruke riktig oljetype i forhold til lufttemperaturen (riktig viskositet).
- Lufttemperaturer under 0°C gjør en del oljer tregtflytende. Dette kan medføre overbelastning av oljepumpen, med skader på pumpens deler som følge.
- Kontakt serviceverkstedet ved valg av kjedesmøreolje.

Fylling av brennstoff



ADVARSEL! Følgende forholdsregler reduserer brannfaren:

Det må ikke røykes og heller ikke plasseres varme gjenstander i nærheten av brennstoffet.

Stans motoren og la den avkjøles noen minutter før brennstoff fylles på.

Åpne tanklokket sakte ved påfylling av brennstoff slik at et eventuelt overtrykk forsvinner sakte.

Trekk tanklokket godt til etter bruk.

Flytt alltid maskinen fra tankingsstedet før start.

Tørk rent rundt tanklokket. Rengjør brennstoff- og kjedeoljetanken regelmessig. Brennstofffilteret skal skiftes minst en gang årlig. Forurensninger i tankene fører til driftsforstyrrelser. Påse at brennstoffet er godt blandet ved å riste beholderen før tanken fylles. Volumet på kjedeolje- og brennstofftank er vel avpasset til hverandre. Fyll derfor alltid begge tankene samtidig.



ADVARSEL! Brennstoff og brennstoffdamp er meget brannfarlig. Vær forsiktig ved håndtering av brennstoff og kjedeolje. Husk brann-, eksplosjons- og innåndingsfare.

Brennstoffsikkerhet

- Fyll aldri brennstoff på maskinen når motoren er i drift.
- Sørg for god ventilasjon ved tanking og blanding av brennstoff (bensin og totaktsolje).
- Flytt maskinen minst 3 m fra tankingsstedet før du starter den.
- Start aldri maskinen:
 - 1 Hvis du har sølt brennstoff eller kjedeolje på maskinen. Tørk av maskinen og la bensinrestene fordampe.
 - 2 Hvis du har sølt brennstoff på deg selv eller klærne dine, skift klær. Vask de kroppsdeler som har vært i kontakt med brennstoff. Bruk såpe og vann.
 - 3 Hvis maskinen lekker brennstoff. Kontroller regelmessig med tanke på lekkasje fra tanklokk og brennstoffledninger.



ADVARSEL! Bruk aldri en maskin med synlige skader på tennpluggette og tenningskabel. Det er risiko for gnistdannelse, hvilket kan forårsake brann.

Transport og oppbevaring

- Oppbevar motorsagen og brennstoffet slik at eventuelle lekkasjer og damper ikke står i fare for å komme i kontakt med gnister eller åpen ild. For eksempel el.motorsager, el.motorer, el.kontakter/strømbrytere, varmekjeler eller lignende.
- Brennstoff skal alltid oppbevares i beholdere som er spesielt beregnet og godkjent for dette.
- Ved lengre tids oppbevaring og transport av motorsag må brennstoff- og sagkjedeoljetanken tømmes. Hør med nærmeste bensinstasjon hvor du kan bli kvitt overflødig brennstoff og sagkjedeolje.
- Påse at maskinen er ordentlig rengjort og at fullstendig service er utført før langtids oppbevaring.
- Skjæreutstyrets transportbeskyttelse slår øøtid være montert under transport eller oppbevaring av maskinen for å unngå kontakt med det skarpe kjedet i vanvare. Selv et kjede som ikke beveger seg kan forårsake alvorlige skader åp brukeren eller andre som kommer til kjedet.
- Sikre maskinen under transport.

Langtids oppbevaring

Tøm bensin- og oljetankene på et godt ventilt sted. Oppbevar bensinen i godkjente kanner på et sikkert sted. Monter sverdbeskyttelsen. Rengjør maskinen. Se anvisninger under overskriften Vedlikeholdsskjema.

Start og stopp



ADVARSEL! Før start må man legge merke til følgende:

Kjdebremesen skal alltid være på når motorsagen startes for å redusere risikoen for kontakt med det roterende kjedet ved start.

Ikke start motorsagen uten at sverd, sagkjede og samtlige deksler er montert. Ellers kan koplingen løsne og forårsake personskaade.

Plasser maskinen på et fast underlag. Sørg for at du står stødig og at kjedet ikke kan hekte seg opp i noe.

Sørg for at ikke uvedkommende oppholder seg i arbeidsområdet.

Kald motor

Start: Kjdebremesen skal være satt på når motorsagen startes. Aktiver bremsen ved å føre kastbeskyttelsen forover. (20)

- 1. Brennstoffpumpe:** Trykk på brennstoffpumpens gummiblære gjentatte ganger til brennstoff begynner å fylle blæren. Blæren behøver ikke å fylles helt. (23)
- 2. Choke:** Trekk den blå choke-/startregulatoren helt ut (til stillingen **FULL CHOKE**). Når chokehendelen er trukket helt ut, stilles det automatisk inn korrekt startgassstilling. (21)

Startgass: Kombinert choke/startgass-stilling oppnås når hendelen stilles i choke-stilling. (22)

Start

Grip rundt det fremre håndtaket med venstre hånd. Plasser høyre fot på underdelen av det bakre håndtaket og press motorsagen mot bakken.

- 3. Grip starthåndtaket,** trekk startsnoren langsomt ut med høyre hånd til du merker motstand (starthakene griper inn) og trekk deretter raskt og kraftig til. **Surr aldri startlinen rundt hånden.** (25)

OBS! Dra ikke startsnoren helt ut og slipp heller ikke håndtaket fra helt utdratt stilling. Dette kan skade maskinen.

- 4. Så snart motoren tenner, noe som kan høres som en "puff"-lyd, trykker du ned chokehendelen til "1/2 choke".** (21)

- 5. Fortsett å dra** med hurtige rykk i linen til motoren starter. (26) La motoren varmes opp i 30 sekunder, og trykk deretter på gassregulatoren for å velge normal tomgang.

Fordi kjdebremesen fremdeles er innkopleet må motorens turtall ned til tomgang så raskt som mulig, noe som oppnås ved å trykke raskt på gassregulatoren én gang. På denne måten unngår du unødig slitasje på kopling, koplingstrimmel og bremsebånd.

Bemerk! Still kjedebremsen tilbake ved å føre kastbeskyttelsen (markert "PULL BACK TO RESET") mot håndtaksbøylen. (27) Dermed er motorsagen klar til bruk.

Varm motor

Bruk samme fremgangsmåte som for start av kald motor, men uten å stille choke-regulatoren i chokestilling. Startgass oppnås inn ved å trekke ut den blå choke-regulatoren til chokestilling, og skyve den inn igjen. (24)



ADVARSEL! Langvarig innånding av motorens avgasser, kjedeoljetåke og støv fra sagspon kan utgjøre en helsefare.

- Start aldri motorsagen uten at sverd, sagkjede og samtlige deksler er korrekt montert. Se anvisninger under overskriften Montering Uten sverd og kjede montert på motorsagen kan koplingen løsne og forårsake alvorlige skader. (28)
- Kjedebremsen skal alltid være på når motorsagen startes. Se anvisninger under overskriften Start og stopp. Motorsagen må aldri fallstartes. Denne metoden er svært farlig, ettersom det er lett å miste kontrollen over motorsagen. (29)
- Start aldri maskinen innendørs. Vær bevisst på faren ved innånding av motorens avgasser.
- Pass på omgivelsene og forviss deg om at det ikke er fare for at mennesker eller dyr kan komme i kontakt med skjæreutstyr.
- Hold alltid motorsagen med begge hender. Hold høyre hånd på det bakre håndtaket og venstre hånd på det fremre håndtaket. **Alle brukere, både høyre- og venstrehendte, skal bruke dette grepet.** Hold et fast grep slik at tomlene og fingrene lukker om motorsagens håndtak. (30)

Stopp

Motoren stoppes ved å trykke ned stoppknappen. (31)

Før hver gangs bruk: (32)

- 1 Kontroller at kjedebremsen fungerer ordentlig og er uskadd.
- 2 Kontroller at bakre høyrehandsvern ikke er skadd.
- 3 Kontroller at gassregulatorsperran fungerer ordentlig og er uskadd.
- 4 Kontroller at stoppebryteren fungerer ordentlig og er uskadd.
- 5 Kontroller at samtlige håndtak er frie for olje.
- 6 Kontroller at avvibreringssystemet fungerer og er uskadd.
- 7 Kontroller at lydempere sitter fast og er uskadd.
- 8 Kontroller at motorsagens samtlige detaljer er trukket til og at de ikke er skadd eller mangler.
- 9 Kontroller at kjedefangeren sitter på plass og er uskadd.
- 10 Kontroller kjedestrammingen.

Generelle arbeidsinstruksjoner

VIGTIG!

Dette avsnittet behandler grunnleggende sikkerhetsregler for arbeid med motorsag. Denne informasjonen kan aldri erstatte den kunnskap en profesjonell bruker besitter i form av opplæring og praktisk erfaring. Når du kommer ut for en situasjon som gjør deg usikker på fortsatt bruk, skal du rådføre deg med en ekspert. Henvend deg til din motorsagforhandler, ditt serviceverksted eller en erfaren motorsagbruker. Unngå all bruk som du ikke føler deg tilstrekkelig kvalifisert til!

Før bruk av motorsagen må du forstå hva kast innebærer og hvordan de kan unngås. Se anvisninger under overskriften Kastforebyggende tiltak.

Før bruk av motorsagen må du forstå forskjellen på å sage med sverdetts underside og overside. Se anvisninger under overskriften Kastforebyggende tiltak og Maskinens sikkerhetsutstyr.

Bruk personlig verneutstyr. Se anvisninger under overskriften Personlig verneutstyr.

Grunnleggende sikkerhetsregler

- 1 Pass på omgivelsene:
 - For å være sikker på at ikke mennesker, dyr eller annet kan påvirke din kontroll over maskinen.
 - For å hindre at de ovennevnte risikerer å komme i kontakt med sagkjedet eller treffes av et fallende tre og bli skadet.
- 2 OBS! Følg de ovennevnte punktene, men bruk aldri en motorsag uten mulighet til å kunne påkalle hjelp ved en ulykke.
- 2 Unngå bruk i dårlig vær. Slik som tett tåke, kraftig regn, sterk vind, kraftig kulde osv. Å arbeide i dårlig vær er slitsomt og kan skape farlige omstendigheter, for eksempel glatt underlag, påvirkning av treetts fallretning osv.
- 3 Vær ytterst forsiktig ved avsaging av smågreiner og unngå å sage i busker (= mange smågreiner samtidig). Smågreiner kan etter avsaging feste seg i sagkjedet, slynges mot deg og forårsake alvorlig personskade.
- 4 Sørg for at du kan gå og stå sikkert. Se etter eventuelle hinder ved uventet forflytting (røtter, steiner, greiner, groper, forhøyninger osv). Vær meget forsiktig ved arbeid i skrånende terreng.
- 5 Vær ytterst forsiktig ved saging i trær som står i spenn. Et spent tre kan både før og etter gjennomsaging sprette tilbake til normalstilling. Feil plassering av deg og sagskåret kan føre til at treet treffer deg eller maskinen slik at du mister kontrollen. I begge tilfeller kan det medføre alvorlig personskade.
- 6 Ved flytting skal sagkjedet låses med kjedebremsen og motoren slås av. Bær motorsagen med sverd og sagkjede bakover. Ved lengre forflyttinger og transport skal sverdbeskyttelsen brukes.
- 7 Når du setter motorsagen ned på bakken, lås sagkjedet med kjedebremsen og sørg for å ha tilsyn

med maskinen. Ved lengre tids "parkering" skal motoren slås av.



ADVARSEL! Noen ganger kan fliser sette seg fast i clutchdekslet og føre til at kjedet setter seg fast. Stans alltid maskinen ved rengjøring.

Grunnregler

- 1 Ved å forstå hva kast innebærer og hvordan det oppstår, kan du redusere eller eliminere overraskelsesmomentet. Overraskelser øker ulykkesrisikoen. De fleste kast er små, men en del er lynraske og meget voldsomme.
- 2 Hold alltid motorsagen i et stødig grep med høyre hånd på det bakerste håndtaket og venstre hånd på det fremste håndtaket. Tomler og fingre skal omslutte håndtakene. Alle brukere, uansett om de er høyre- eller venstrehendte, skal bruke dette grepet. Med dette grepet kan du best redusere effekten av et kast og samtidig beholde kontrollen over motorsagen. **Slipp ikke håndtakene!**
- 3 De fleste kastulykker inntreffer ved kvisting. Sørg for at du står stødig og at ingenting på bakken kan få deg til å snuble eller miste balansen. Er du uaktsom, kan sverdets kastrisikosektor treffe en grein, et tre som ligger i nærheten eller et annet objekt og fremkalle et kast. Ha kontroll over arbeidsstykket. Hvis stykkene du sager er små og lette, kan de sette seg fast i sagkjedet og slynges mot deg. Selv om dette som sådan ikke behøver å være farlig, kan du bli overrasket og miste kontrollen over sagen. Sag aldri stablede stokker eller greiner uten å trekke dem fra hverandre først. Sag bare én stokk eller ett stykke av gangen. Fjern de avsagde stykkene for å holde arbeidsområdet sikkert.
- 4 **Bruk aldri motorsagen over skulderhøyde og unngå å sage med sverdspissen. Bruk aldri motorsagen med ethåndsgrep! (33)**
- 5 For å ha full kontroll over motorsagen, kreves det at du står stabilt. Arbeid aldri stående på en stige, oppe i et tre eller der du ikke har et stabilt underlag å stå på. **(34)**
- 6 Sag med høy kjedehastighet, dvs. på full gass.
- 7 Vær ytterst forsiktig når du sager med oversiden av sverdet, dvs. når du sager fra objektets underside. Dette kalles å sage med skyvende sagkjede. Sagkjedet skyver da motorsagen bakover mot brukeren. Hvis sagkjedet klemmes fast, kan motorsagen kastes bakover mot deg.
- 8 Hvis brukeren ikke holder imot kreftene i motorsagen, er det fare for at motorsagen skyves så langt bakover at sverdets kastrisikosektor er den eneste kontakten med treet, noe som utløser et kast. **(35)** Å sage med sverdets underside, dvs. å sage fra sagobjektets overside og ned, kalles å sage med dragende sagkjede. Da dras motorsagen mot treet, og motorsagkroppens forkant blir en naturlig støtte mot stammen. Saging med dragende sagkjede gir brukeren bedre kontroll over motorsagen og over hvor sverdets kastrisikosektor befinner seg.
- 9 Følg file- og vedlikeholdsinstruksjonene for sverd og sagkjede. Ved skifte av sverd og sagkjede må det

bare brukes kombinasjoner anbefalt av oss. Se avsnitt Skjæreutstyr og kapitlet Tekniske data.

Grunnleggende sageteknikk



ADVARSEL! Bruk aldri en motorsag ved å holde den med én hånd. En motorsag er ikke sikkert kontrollert med én hånd. Ha alltid et fast, stabilt grep om håndtakene med begge hender.

Generelt

- Bruk alltid full gass ved saging!
- Slipp motoren ned på tomgangsturtall etter hvert sagskår (lengre tids full gass uten at motoren belastes, dvs. uten den motstanden motoren får fra sagkjedet under saging, gir alvorlig motorskade).
- Å sage ovenfra = Å sage med "dragende" sagkjede.
- Å sage nedenfra = Å sage med "skyvende" sagkjede.

Saging med skyvende sagkjede innebærer økt kastrisiko. Se anvisninger under overskriften Kastforebyggende tiltak.

Betegnelser

Kapping = Generell betegnelse for gjennomsaging av tre.

Kvisting = Kappe av greiner fra et felt tre.

Splintring = Når objektet du skal kappe brytes av før sagsnittet er fullført.

Ved hver kapping er det fem meget viktige faktorer å ta hensyn til:

- 1 Skjæreutstyret må ikke klemmes fast i sagsnittet.
- 2 Sageobjektet må ikke splintres.
- 3 Sagkjedet må ikke treffe bakken eller andre gjenstander under og etter gjennomsagingen.
- 4 Foreligger det risiko for kast?
- 5 Kan terrenget og omgivelsenes utseende påvirke hvor stabilt og sikkert du kan gå og stå?

Det er to grunner til at sagkjedet klemmes fast eller at sagobjektet splintres: Hva slags støtte sagobjektet har før og etter kapping, og om sagobjektet står i spenn. Disse uønskede situasjonene kan i de fleste tilfeller unngås ved at kappingen gjøres i to trinn, både fra over- og undersiden. Det gjelder å nøytralisere sagobjektets "vilje" til å klemme fast sagkjedet eller splintres.

VIGTIG! Hvis sagkjedet har klemt seg fast i sagsnittet: stans motoren! Forsøk ikke å rykke løs motorsagen. Hvis du gjør dette, kan du skade deg på sagkjedet når motorsagen plutselig løsner. Bruk hevarm for å få løs motorsagen.

Nedenfor følger en teoretisk gjennomgang av hvordan de vanligste situasjonene en motorsagsbruker kan komme ut for skal håndteres.

Kvisting

Ved kvisting av tykkere greiner følges samme prinsipp som ved kapping.

Vanskelige greiner kappes bit for bit.

Kapping



ADVARSEL! Forsøk aldri å sage stokker når de er stablet eller når et par stokker ligger tett sammen. Slik fremgangsmåte øker drastisk risikoen for kast, som kan føre til alvorlig eller livstruende skade.

Hvis du har en stabel stokker, skal hver stokk du vil kappe tas bort fra stabelen, plasseres på en sagkrakk og kappes for seg.

Fjern de kappede stykkene fra arbeidsområdet. Lar du dem bli værende i arbeidsområdet, øker du både risikoen for å få et kast i vanvare og risikoen for å miste balansen når du arbeider.

Stokken ligger på bakken. Det er ingen fare for at sagkjedet skal klemmes fast eller at sagobjektet skal splintres. Det er imidlertid stor fare for at sagkjedet treffer bakken etter gjennomsaging.

Sag ovenfra gjennom hele stokken. Vær forsiktig på slutten av sagsnittet for å unngå at sagkjedet treffer bakken. Behold full gass, men vær forberedt på hva som vil skje. **(36)**

Hvis det er mulig (= kan stokken roteres?) bør sagsnittet avsluttes 2/3 inn i stokken.

Roter stokken slik at den resterende 1/3 kan avsluttes ovenfra.

Stokken har støtte i den ene enden. Stor fare for splintring.

Begynn med å sage nedenfra (ca 1/3 av stokkens diameter).

Avslutt ovenfra slik at sagskårene møtes.

Stokken har støtte i begge ender. Stor fare for fastklemming av sagkjedet.

Begynn med å sage ovenfra (ca 1/3 av stokkens diameter).

Avslutt nedenfra slik at sagskårene møtes.

Trefellingsteknikk

VIGTIG! Det kreves mye erfaring for å felle et tre. En uerfaren motorsagsbruker skal ikke felle trær. Unngå all bruk du ikke føler deg kvalifisert til!

Sikkerhetsavstand

Sikkerhetsavstanden mellom treet som skal felles og nærmeste arbeidsplass skal være 2 1/2 trelengde. Påse at ingen befinner seg i denne "faresonen" før og under fellingen. **(37)**

Fallretning

Målsettingen ved felling av trær er å plassere treet på en slik måte at etterfølgende kvisting og kapping av stokken kan utføres i et mest mulig "enkelt" terreng. Man skal kunne gå og stå sikkert.

Etter å ha bestemt hvilken retning du vil at treet skal falle i, må du gjøre en vurdering av trets naturlige fallretning.

De faktorene som styrer dette er:

- Helling
- Krokethet
- Vindretning
- Konsentrasjon av greiner
- Eventuell snøtyngde

- Hindringer innen trets rekkevidde: f.eks. andre trær, kraftledninger, veier og bygninger.
- Se etter skader og råte i stammen, hvilket gjør det mer trolig at treet ryker og begynner å falle før du forventer dette.

Etter denne vurderingen kan man bli nødt til å la treet falle i sin naturlige fallretning, fordi det er umulig eller for farlig å forsøke å plassere det i den retningen man i utgangspunktet hadde tenkt.

En annen meget viktig faktor som ikke påvirker fallretningen men din personlige sikkerhet, er å kontrollere at treet ikke har skadde eller "døde" greiner som kan brytes av og skade deg under fellingsarbeidet.

Det som først og fremst må unngås er at det fallende treet blir sittende fast i et annet. Å ta ned et fastfelt tre er meget farlig, og det innebærer meget stor ulykkesrisiko. Se anvisninger under overskriften Håndtering av mislykket felling.

VIGTIG! I kritiske fellingsøyeblikk må hørselsvernet felles opp med en gang sagingen har opphørt slik at det er mulig å fange opp lyder og varselsignaler.

Underkvisting og retrettvei

Kvist stammen opp til skulderhøyde. Det er sikrest å arbeide ovenfra og ned og ha stammen mellom deg og motorsagen.

Rensk opp i vegetasjonen rundt treet og legg merke til eventuelle hinder (steiner, greiner, groper osv), slik at du har en lett tilgjengelig retrettvei når treet begynner å falle. Retrettveien bør ligge ca 135° på skrå bakover fra trets planlagte fallretning. **(38)**

- 1 Faresone
- 2 Retrettvei
- 3 Fallretning

Felling



ADVARSEL! Vi fraråder brukere som ikke er tilstrekkelig kvalifisert å felle et tre med en sverdlengde som er mindre enn stammens diameter!

Fellingen utføres med tre sagskår. Først sages styreskåret, som består av et overskjær og et underskjær, deretter avsluttes fellingen med hovedskåret. Ved korrekt plassering av disse kan man styre fallretningen meget nøyaktig.

Styreskår

Ved utsaging av styreskåret begynner man med overskjæret. Stå på høyre side av treet og sag med dragende sagkjede.

Sag deretter underskjæret slik at det slutter på nøyaktig samme sted som overskjæret. **(39)**

Dybden på styreskåret skal være 1/4 av stammens diameter og vinkelen mellom over- og underskjær minst 45°.

Stedet hvor de to skjærene møtes kalles styreskårlinje. Denne linjen skal ligge nøyaktig horisontalt og samtidig danne en rett vinkel (90°) mot valgt fallretning. **(40)**

Hovedskår

Hovedskåret sages fra den andre siden av treet og må ligge helt horisontalt. Stå på venstre side av treet og sag med dragende sagkjede.

Plasser hovedskåret ca. 3-5 cm (1,5-2 tommer) over styreskårets horisontalplan.

Sett i barkstøtten (hvis en slik er montert) bak brytekanten. Sag med full gass og før sagkjedet/sverdet sakte inn i treet. Vær på vakt mot at treet beveger seg i motsatt retning av det som er valgt som fallretning. Sett i en fellekile eller et brytejern i hovedskåret så snart skjæredybden tillater det. (41)

Hovedskåret skal avsluttes parallelt med styreskårlinjen slik at avstanden mellom dem er minst 1/10 av stammens diameter. Den delen av stammen som ikke er gjennomsagd, kalles brytekant.

Brytekanten fungerer som et hengsel som styrer retningen til det fallende treet. (42)

Hvis brytekanten er for liten eller gjennomsaget eller hvis styreskår og hovedskår er feil plassert, mister man all kontroll over trets fallretning.

Når hovedskåret og styreskåret er ferdig, skal treet begynne å falle, enten av seg selv eller ved hjelp av fellekilen eller brytejernet.

Vi anbefaler bruk av en sverdlengde som er større enn trets diameter, slik at hoved- og styreskår kan utføres med et såkalt "enkelt sagskår". Se anvisninger under overskriften Tekniske data ang. hvilke sverdlengder som anbefales for din motorsagsmodell.

Det finnes metoder for felling av trær med en stammediameter som er større enn sverdlengden. Disse medfører meget stor risiko for at sverdetts kastrisikosektor kommer i kontakt med et objekt.

Håndtering av mislykket felling

Nedtaking av et "fastfelt tre"

Å ta ned et fastfelt tre er meget farlig, og det innebærer meget stor ulykkesrisiko.

Forsøk aldri å sage ned det treet det andre treet har falt mot.

Arbeid aldri innenfor risikoområdet for hengende fastfelte trær.

Den sikreste metoden er å bruke vinsj.

- Traktormontert
- Bærbar

Saging i trær og greiner som står i spenn

Forberedelser: Vurder hvilken retning spenningen går i og hvor den har sitt brytepunkt (dvs. det stedet hvor den ville brette hvis den ble spent ytterligere).

Avgjør hvordan du frigjør spenningen på sikreste måte og om du klarer å gjøre det. Ved ekstra kompliserte situasjoner er den eneste sikre metoden å avstå fra bruk av motorsag og bruke vinsj.

Generelt gjelder:

Plasser deg slik at du ikke risikerer å bli truffet av treet/greinen når spenningen blir frigjort.

Lag ett eller flere sagskår på eller i nærheten av brytepunktet. Sag så dypt inn og med så mange sagsnitt som er nødvendig for at spenningen i treet/greinen skal

bli frigjort slik at treet/greinen "brytes" av ved brytepunktet.

Sag aldri helt gjennom et objekt som står i spenn!

Hvis du må sage gjennom treet/kvisten, lag to eller tre skjær med 3 cm mellomrom og 3-5 cm dybde.

Fortsett å sage dypere til trets/kvistens bending og spenning frigjøres.

Sag treet/kvisten fra motsatt side etter at spenningen er frigjort.

Kastforebyggende tiltak



ADVARSEL! Kast kan forekomme lynraskt og være plutselige og voldsomme, og kan kaste motsags, sverd og sagkjede mot brukeren. Hvis sagkjedet er i bevegelse når og hvis det treffer brukeren, kan det oppstå meget alvorlige og til og med livstruende skader. Det er nødvendig å forstå hva som forårsaker kast og at de kan unngås ved forsiktighet og riktig arbeidsteknikk.

Hva er kast?

Kast er betegnelsen på en plutselig reaksjon der motorsag og sverd kastes fra et objekt som har kommet i kontakt med den øvre kvadranten av sverdspissen, den såkalte kastrisikosektoren. (43)

Kast skjer alltid i samme retning som sverdplanet. Det mest vanlige er at motorsag og sverd kastes opp- og bakover mot brukeren. Andre kastretninger kan imidlertid forekomme, avhengig av hvilken stilling motorsagen har i det øyeblikket sverdetts kastrisikosektor kommer i kontakt med et objekt.

Kast kan bare inntreffe når sverdetts kastrisikosektor kommer i kontakt med et objekt. (44)

Kvisting



ADVARSEL! De fleste kastulykker inntreffer ved kvisting. Ikke bruk sverdetts kastrisikosektor. Vær ytterst forsiktig og unngå at sverdspissen kommer i kontakt med stokken, andre greiner eller gjenstander. Vær ytterst forsiktig med greiner som står i spenn. De kan fjære tilbake mot deg og gjøre at du mister kontrollen, hvilket kan medføre skader.

Sørg for at du kan gå og stå sikkert! Arbeid fra venstre side av stammen. Arbeid så nær motorsagen som mulig for beste kontroll. Når det er mulig skal du la tyngden av sagen hvile på stammen.

Flytt deg bare når du har stammen mellom deg og motorsagen.

Oppkapping av stammen til stokk

Se anvisninger under overskriften Generelle sagneteknikk.

Generelt

Brukeren må kun utføre det vedlikeholds- og servicearbeidet som beskrives i denne bruksanvisningen. Mer omfattende inngrep skal utføres av et autorisert serviceverksted.

Forgasserjustering

Ditt Jonsered-produkt er konstruert og produsert ifølge spesifikasjoner som reduserer de skadelige avgassene.

Funksjon

- Via gassregulatoren styrer forgasseren motorens turtall. I forgasseren blandes luft/brennstoff. Denne luft/brennstoffblandingen er justerbar. Før å utnytte maskinens effekt maksimalt, må justeringen være korrekt.
- T-skruen regulerer gassregulatorens stilling på tomgang. Hvis T-skruen skrues med klokken, får man høyere tomgangsturtall, og skrues den mot klokken, får man lavere tomgangsturtall.

Grunninnstilling og innkjøring

Ved prøvekjøring på fabrikk grunninnstilles forgasseren. Finjustering må foretas av en fagkyndig person.

Anbefalt tomgangsturtall: Se kapitlet Tekniske data.

Finjustering av tomgang T

Tomgangen justeres med skruen merket T. Hvis justering er nødvendig, skrues tomgangsskruen T inn (med klokken) med motoren i gang til kjedet begynner å rotere. Åpne deretter (mot klokken) til kjedet står stille. Tomgangsturtallet er korrekt innstilt når motoren arbeider jevnt i alle posisjoner med god margin til det turtallet hvor kjedet begynner å rotere.



ADVARSEL! Hvis tomgangsturtallet ikke kan justeres slik at kjedet står stille, kontaktes et serviceverksted. Bruk ikke motorsagen før den er korrekt innstilt eller reparert.

Kontroll, vedlikehold og service på motorsagens sikkerhetsutstyr

Bemerk! All service og reparasjon av maskinen krever spesialutdanning. Dette gjelder særlig maskinens sikkerhetsutstyr. Hvis maskinen ikke består alle kontrollene som er oppgitt nedenfor, anbefaler vi at du oppsøker ditt serviceverksted. Alt vedlikehold utover det som er nevnt i denne boken skal utføres av servicefaghandler (forhandler).

Slå av motoren og ta ut tenningskabelen før reparasjon eller vedlikehold

Kjedebremser med kastbeskyttelse

Kontroll av bremsebåndslitasje

Rengjør kjedebremser og koplingstrommel for spon, kvæv og smuss. Tilsnugging og slitasje påvirker bremsefunksjonen. **(45)**

Kontroller jevnlig at bremsebåndet er minst 0,6 mm tykt på det mest slitte stedet.

Kontroll av kastbeskyttelse

Kontroller at kastbeskyttelsen er hel og uten synlige defekter, f.eks. materialsprekker.

Før kastbeskyttelsen fram og tilbake for å kontrollere at den går lett og at den er stabilt forankret ved leddet i koplingsdekselet. **(46)**

Kontroll av tregheitsfunksjonen

Hold motorsagen, med motoren slått av, over en stubbe eller over en annen stabil gjenstand. Slipp det fremste håndtaket og la motorsagen falle av egen tyngde, roterende rundt det bakre håndtaket, mot stubben.

Når sverdspissen treffer stubben, skal bremsen løse ut. (47)

Kontroll av bremsevirkning

Plasser motorsagen på et stabilt underlag og start den. Påse at sagkjedet ikke kan komme i kontakt med bakken eller andre gjenstander. Se anvisninger under overskriften Start og stopp.

Hold motorsagen i et stødig grep med tommer og fingrer lukket om håndtakene.

Gi full gass og aktiver kjedebremsen ved å vri venstre håndledd mot kastbeskyttelsen. Ikke slipp det fremste håndtaket. **Kjedet skal stanse umiddelbart.**

Gassregulatorsperre

- Kontroller at gassregulatoren er låst i tomgangsstilling når gassregulatorsperren er i sin utgangsposisjon.
- Trykk inn gassregulatorsperren og kontroller at den går tilbake til sin opprinnelige stilling når den slippes.
- Kontroller at gassregulatoren og gassregulatorsperren går lett og at returfjærsystemet fungerer.
- Start motorsagen og gi full gass. Slipp gassregulatoren og kontroller at kjedet stanser og at det blir stående stille. Hvis kjedet roterer med gassregulatoren i tomgangsstilling må forgasserens tomgangsjustering kontrolleres.

Kjedefanger

Kontroller at kjedefangeren er hel og at den sitter fast i motorsagkroppen.

Høyrehåndsvern

Kontroller at høyrehåndsvernet er helt og uten synlige defekter, slik som materialsprekker.

Avvibreringssystem

Kontroller regelmessig avvibreringselementene med tanke på materialsprekker og deformering.

Kontroller at avvibreringselementene er fast forankret mellom motor- og håndtaksenhet.

Stoppbryter

Start motoren og kontroller at motoren blir slått av når stoppbryteren føres til stoppstilling.

Lyddemper

Bruk aldri en maskin som har defekt lyddemper.

Kontroller regelmessig at lyddemperen sitter fast i maskinen.

Bemerk: Gnistfangernettet (A) på denne maskinen kan byttes ut. **(48)** Ved eventuelle skader på nettet må det skiftes. Hvis nettet tilstoppes, blir maskinen overopphetet med skader på sylinder og stempel som følge. Bruk aldri maskinen med en lyddemper som er i dårlig stand. **Bruk aldri lyddemper uten eller med defekt gnistfangernet.**

For den normale hjemmebrukeren er det ikke nødvendig å bytte lyddemperen og gnistfangernettet.

Luffilter

Luffilteret må rengjøres regelmessig for støv og smuss for å unngå:

- Forgasserforstyrrelser
- Startproblemer
- Dårligere effekt
- Unødvendig slitasje på motorens deler.
- Unormalt høyt brennstofforbruk.
- Luffilteret (3) demonteres etter at sylinderdekslet, skruen (1) og luffilterdekslet (2) er fjernet. Ved montering må det påses at luffilteret slutter helt tett mot filterholderen. Rist eller børst filteret rent. **(49)**

En mer gjennomgående rengjøring oppnås ved å vaske filteret i såpevann.

Et filter som har vært mye brukt kan aldri bli fullstendig rent. Derfor må det skiftes med jevne mellomrom. **Et skadet luffilter må alltid skiftes.**

Tennplugg

Tennpluggens stand påvirkes av:

- Feil innstilt forgasser.
- En feilaktig oljeblanding i brenselet (for mye, eller feilaktig olje).
- Tilsusset luffilter.

Disse faktorene gir belegg på tennpluggenes elektroder og kan forårsake driftsforstyrrelser og startvansker.

Hvis maskinens effekt er for lav, maskinen er vanskelig å starte eller tomgangen er urolig: kontroller alltid tennpluggen først før andre tiltak iverksettes. Hvis tennpluggen har mye belegg, rengjøres den, og kontroller samtidig at elektrodeavstanden er 0,5 mm. Tennpluggen bør skiftes etter omtrent en måneds drift eller om nødvendig tidligere. **(50)**

Bemerk! Bruk alltid anbefalt type tennplugg! Feil tennplugg kan ødelegge stempel/sylinder. Påse at tennpluggen har såkalt radiostøyfilter.

VEDLIKEHOLD

Vedlikeholdsskjema

Under følger en liste over det vedlikehold som skal utføres på maskinen. De fleste av punktene er beskrevet i avsnittet Vedlikehold.

Daglig ettersyn (Hver 5.-10. h)	Ukentlig ettersyn (Hver 10.-25. h)	Månedlig ettersyn (Hver 25.-40. h)
Rengjør maskinen utvendig.	Kontroller startapparat, snor og returfjær.	Kontroller bremsebåndet på kjedebremsen med henblikk på slitasje. Skift når det er mindre enn 0,6 mm på det mest slitte stedet.
Kontroller at gassregulatorens deler fungerer sikkert. (Gassregulatorsperre og gassregulator.)	Kontroller at vibrasjonsisolatorene ikke er skadet.	Kontroller koplingscenteret, koplingstrømmelen og koplingsfjæren med henblikk på slitasje.
Rengjør kjedebremsen og kontroller at den fungerer sikkert. Kontroller at kjedefangeren er uskadet, skift om nødvendig.	Fil bort eventuelle grader på sidene av sverdet.	Rengjør tennpluggen. Kontroller at elektrodeavstanden er 0,5 mm.
Sverdet skal snus daglig for jevnere slitasje. Kontroller at smørehullet i sverdet ikke er tett. Rengjør kjedesporet. Hvis sverdet har nesehjul, smøres dette.	Rengjør forgasserrømmet.	Rengjør forgasseren utvendig.
Kontroller at sverd og kjede får nok olje.	Rengjør luftfilteret. Skift om nødvendig.	Kontroller brennstoffilteret og brennstoffslangen. Skift om nødvendig.
Kontroller sagkjedet med henblikk på synlige sprekker i nagler og ledd, om sagkjedet er stivt eller hvis nagler og ledd er unormalt slitt. Skift om nødvendig.		Tøm bensintanken og rengjør den innvendig.
Fil kjedet og kontroller stramming og tilstand. Kontroller at kjededrivhjulet ikke er unormalt slitt, skift om nødvendig.		Tøm oljetanken og rengjør den innvendig.
Rengjør startmotorens luftinntak.		Kontroller alle kabler og forbindelser.
Kontroller at skruer og mutre er trukket til.		
Kontroller at stoppbryteren fungerer.		
Kontroller at det ikke er noen brennstofflekkasje fra motor, tank eller brennstoffledninger.		

Tekniske data

	CS 2234	CS 2238
Motor		
Sylindervolum, cm ³ :	38	38
Slaglengde, mm	32	32
Tomgangsturtall, o/min	3000	3000
Effekt, kW	1,4/9000	1,5/9000
Tenningsystem		
Tennplugg	Champion RCJ 7Y	Champion RCJ 7Y
Elektrodeavstand, mm	0,5	0,5
Brennstoff-/smøresystem		
Volum bensintank, liter	0,3	0,3
Kapasitet oljepumpe ved 8500 o/min, ml/min	7	7
Volum oljetank, liter	0,19	0,19
Type av oljepumpe	Automatisk	Automatisk
Vekt		
Motorsag uten sverd, kjede og med tomme tanker, kg	4,7	4,7
Støyutslipp (se anm. 1)		
Lydeffektnivå, mål dB(A)	115	115
Lydeffektnivå, garantert L _{WA} dB(A)	118	118
Støyutslipp (se anm. 2)		
Ekvivalent lydtrykknivå ved brukerens øre, dB(A)	100,6	100,6
Ekvivalente vibrasjonsnivåer, a_{hveq} (se merknad 3)		
Fremre håndtak, m/s ²	3,7	3,7
Bakre håndtak, m/s ²	5,1	5,1
Kjede/sverd		
Standard sverdlengde, tommer/cm	14/35, 16/40	14/35, 16/40
Anbefalte sverdlengder, tommer/cm	14/35, 16/40	14/35, 16/40
Effektiv skjærelengde, tommer/cm	13,5/34, 15,5/39	13,5/34, 15,5/39
Deling, tommer/mm	3/8 / 9,52	3/8 / 9,52
Tykkelse på drivlenke, tommer/mm	0,050/1,3	0,050/1,3
Type drivhjul/antall tenner	6	6
Kjedefastighet ved maks. effekt, m/s	17,1	17,1

Anm.1: Utslipp av støy til omgivelsene målt som lydeffekt (L_{WA}) ifølge EF-direktiv 2000/14/EC.

Merknad 2: Ekvivalent støytrykknivå i henhold til ISO 22868 beregnes som tidsvektet total energi for ulike trykknivåer under forskjellige driftsforhold. Typisk statistisk spredning for ekvivalent støytrykknivå er et standard avvik på 1 dB (A).


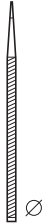
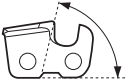
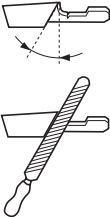

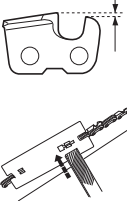
Merknad 3: Ekvivalent vibrasjonsnivå i henhold til ISO 22867 beregnes som tidsvektet total energi for vibrasjonsnivåer under forskjellige driftsforhold: Rapporterte data for ekvivalent vibrasjonsnivå har en typisk statistisk spredning (standard avvik) på 1 m/s².

TEKNISKE DATA

Sverd og kjedekombinasjoner

Følgende skjæreutstyr er godkjent for modellene Jonesred CS 2234 og CS 2238.

Sverd				Sagkjede	
Lengde, tommer	Deling, tommer	Sporbredde, mm	Maks. antall tenner nesehjul	Type	Lengde, drivlenke (stk.)
14	3/8	1,3	7T	Jonsered H37	52
16	3/8		7T		56
18	3/8		7T		62

					
	inch/mm				inch/mm
H37	5/32/4,0	80°	30°	0°	0.025/0,65

EF-erklæring om samsvar

(Gjelder kun Europa)

Husqvarna AB, SE-561 82 Huskvarna, Sverige, tlf.: +46-36-146500, forsikrer hermed at motorsagene **Jonsered CS 2234 og CS 2238** fra år 2009s serienummer og fremover (året oppgis i klartekst på typeskiltet pluss et etterfølgende serienummer) tilsvarer forskriftene i RÅDSDIREKTIV:

- fra 17. mai 2006, "angående maskiner" **2006/42/EC**
- av 15. desember 2004 "angående elektromagnetisk kompatibilitet" **2004/108/EC**.
- av 8. mai 2000 "angående utslipp av støy til omgivelsene" **2000/14/EC**.

For informasjon angående støytuslippene, se kapitlet Tekniske data. Følgende standarder er blitt tillempet: **EN ISO 12100-2:2003, CISPR 12:2001, EN ISO 11681-1:2004**

Kontrollorgan: **0404, SMP Svensk Maskinprovning AB**, Fyrisborgsgatan 3, SE-754 50 Uppsala, Sverige, har utført EF-typeprøving ifølge maskindirektivets (2006/42/EC) artikkel 12, punkt 3b. Bekreftelsen om EF-typekontroll ifølge vedlegg IX, har nummer: **0404/09/2048**.

Videre har SMP, Svensk Maskinprovning AB, Fyrisborgsgatan 3, SE-754 50 Uppsala, Sverige, bekreftet overensstemmelse med tillegg V til rådets direktiv av 8. mai 2000 "angående utslipp av støy til omgivelsene" 2000/14/EC. Sertifikatene har nummer: **26/161/003** - CS 2234, **26/161/004** - CS 2238.

Den leverte motorsagen samsvarer med det eksemplaret som gjennomgikk EF-typeprøving.

Huskvarna, 29. desember 2009



Ronnie E. Goldman, Teknisk direktør. (Autorisert representant for Husqvarna AB og ansvarlig for teknisk dokumentasjon)

Alla gentile clientela

Congratulations per aver scelto di acquistare un prodotto Jonsered!

Siamo convinti che sarete pienamente soddisfatti della qualità e delle prestazioni del nostro prodotto per un lungo tempo a venire. L'acquisto di uno dei nostri prodotti vi garantisce l'accesso alla competenza di personale qualificato per l'assistenza e le riparazioni in caso di necessità. Se non avete acquistato la macchina presso uno dei nostri rivenditori autorizzati, rivolgetevi alla più vicina officina di assistenza.

Ci auguriamo che rimarrete soddisfatti della vostra macchina e speriamo di potervi servire per molto tempo in futuro. Non dimenticate che questo manuale delle istruzioni è un documento di valore. Seguendone il contenuto (uso, assistenza, manutenzione ecc.) potrete aumentare notevolmente la durata della vostra macchina e anche il suo valore di usato. Se vendete la macchina, ricordate di consegnare il manuale delle istruzioni al nuovo proprietario.

Buona fortuna nell'uso del vostro prodotto Jonsered!

La Jonsered procede costantemente allo sviluppo dei propri prodotti e si riserva quindi il diritto di apportare, senza alcun preavviso, modifiche riguardanti fra l'altro la forma e l'aspetto esteriore.

I simboli sulla macchina:

AVVERTENZA! La motosega può essere pericolosa! L'uso improprio del mezzo può provocare lesioni anche mortali all'operatore o a terzi.

Prima di usare la macchina, leggere per intero le istruzioni per l'uso e accertarsi di averne compreso il contenuto.

Usare sempre:

- Elmetto protettivo omologato
- Protezioni acustiche omologate
- Occhiali o visiera di protezione

Il presente prodotto è conforme alle vigenti direttive CEE.

Emissioni di rumore nell'ambiente in base alla direttiva della Comunità Europea. L'emissione della macchina è indicata al capitolo Dati tecnici e sulla decalcomania.

L'operatore deve usare la motosega afferrandola con entrambe le mani.

Non deve mai usare la motosega tenendola con una sola mano.

È necessario evitare che la punta della lama venga a contatto con altri oggetti.

AVVERTENZA! Il contatto fra punta della lama e corpi estranei può dare origine a sobbalzo, provocando una reazione che scaglia la lama verso l'alto e all'indietro, in direzione dell'utente. Possono insorgere gravi lesioni personali.

Freno della catena attivato (a sinistra) Freno della catena non attivato (a destra)



I restanti simboli/decalcomanie riguardano particolari requisiti necessari per ottenere la certificazione in alcuni mercati.

Che cosa c'è nella motosega? (1)

- 1 Decalcomania di informazioni e avvertenza
- 2 Coperchio del cilindro
- 3 Pompa carburante
- 4 Maniglia di avviamento
- 5 Comando dello starter/fermo gas di avviamento
- 6 Interruttore di arresto. Inserimento/disinserimento accensione.
- 7 Impugnatura posteriore
- 8 Serbatoio carburante
- 9 Viti di regolazione carburatore
- 10 Dispositivo di avviamento
- 11 Serbatoio olio catena
- 12 Targhetta prodotto e numero di serie
- 13 Fermo del gas (impedisce accelerazioni involontarie).
- 14 Impugnatura anteriore
- 15 Protezione anticcontraccolpo
- 16 Marmitta
- 17 Lama
- 18 Rotella di punta della catena
- 19 Catena
- 20 Appoggio per la corteccia
- 21 Fermo della catena
- 22 Vite tendicaten
- 23 Coperchio della frizione
- 24 Impugnatura posteriore con paramani destro
- 25 Comando del gas
- 26 Istruzioni per l'uso
- 27 Chiave combinata
- 28 Coprilama

Indice

INTRODUZIONE

Alla gentile clientela	124
I simboli sulla macchina:	124
Che cosa c'è nella motosega?	125

INDICE

Indice	125
--------------	-----

NORME GENERALI DI SICUREZZA

Interventi prima di usare una nuova motosega	126
Importante	126
Impiegare sempre il buon senso.	126
Abbigliamento protettivo	127
Dispositivi di sicurezza della macchina	127
Attrezzatura di taglio	129

MONTAGGIO

Montaggio di lama e catena	132
----------------------------------	-----

OPERAZIONI CON IL CARBURANTE

Carburante	132
Rifornimento	133
Carburante	133

AVVIAMENTO E ARRESTO

Avviamento e arresto	134
----------------------------	-----

TECNICA DI LAVORO

Ad ogni utilizzo:	135
Istruzioni generali di lavoro	135
Prevenzione del contraccolpo	138

MANUTENZIONE

Generalità	139
Regolazione del carburatore	139
Controllo, manutenzione e servizio dei dispositivi di sicurezza della motosega	139
Marmitta	140
Filtro dell'aria	140
Candela	140
Schema di manutenzione	141

CARATTERISTICHE TECNICHE

Caratteristiche tecniche	142
Combinazioni di lama e catena	143
Dichiarazione di conformità CE	143

Interventi prima di usare una nuova motosega

- Leggere attentamente le istruzioni per l'uso.
- (1) - (50) si riferiscono alle illustrazioni a pag. 2-5.
- Controllare il montaggio e la messa a punto dell'attrezzatura di taglio. Vedi istruzioni alla voce Montaggio.
- Effettuare il rifornimento e accendere la motosega. Vedere le istruzioni alle sezioni Movimentazione del carburante e Avviamento e arresto.
- Non usare la motosega prima che la catena sia stata raggiunta da una quantità sufficiente di olio. Vedi istruzioni alla voce Lubrificazione dell'attrezzatura di taglio
- Una lunga esposizione al rumore può comportare lesioni permanenti all'udito. Usare quindi sempre cuffie di protezione omologate.



AVVERTENZA! Evitare assolutamente di modificare la versione originale della macchina senza l'autorizzazione del fabbricante. Usare sempre accessori originali. Modifiche e/o accessori non autorizzati possono causare lesioni gravi o mortali all'operatore o a terzi.



AVVERTENZA! Se usata in modo improprio o non attento, la motosega può essere un attrezzo pericoloso, in grado di causare lesioni gravi o addirittura mortali. È di estrema importanza leggere e comprendere il contenuto di questo manuale di istruzioni.



AVVERTENZA! L'interno della marmitta contiene sostanze chimiche che potrebbero essere cancerogene. Evitare il contatto con queste sostanze in caso di marmitta danneggiata.



AVVERTENZA! L'inalazione prolungata dei gas di scarico del motore, dei vapori dell'olio della catena e della polvere di segatura può essere dannosa per la salute.



AVVERTENZA! Questa macchina genera un campo elettromagnetico durante il funzionamento che in determinate circostanze può interferire con impianti medici attivi o passivi. Per ridurre il rischio di gravi lesioni personali o mortali, i portatori di tali impianti devono consultare il proprio medico e il relativo produttore prima di utilizzare la macchina.

Importante

IMPORTANTE!

Questa macchina è progettata esclusivamente per segare il legno.

Si raccomanda di utilizzare esclusivamente le combinazioni lama/catena indicate nel capitolo Dati tecnici.

Non utilizzare mai la macchina in condizioni di stanchezza oppure sotto l'effetto di alcolici, stupefacenti o farmaci in grado di alterare la vista, la capacità di valutazione o la coordinazione.

Usare sempre abbigliamento protettivo. Vedi istruzioni alla voce Abbigliamento protettivo.

Non modificare mai la macchina né utilizzarla se sembra essere stata modificata da altri.

Non usare mai una macchina difettosa. Seguire le istruzioni per l'uso e la manutenzione indicate nel presente manuale. Alcuni interventi devono essere eseguiti da personale specializzato. Vedi istruzioni alla voce Manutenzione.

Usare solo i ricambi e gli accessori consigliati nel presente manuale. Vedi istruzioni alle voci Attrezzatura di taglio e Caratteristiche tecniche.

N.B! Indossare sempre occhiali protettivi o una visiera per ridurre il rischio di danni legati alla proiezione di oggetti. Una motosega è in grado di proiettare con elevata violenza oggetti quali segatura, trucioli ecc. Possono insorgere seri danni, in particolare agli occhi.



AVVERTENZA! Un motore acceso in un ambiente chiuso o mal ventilato può essere causa di morte per soffocamento o avvelenamento da monossido di carbonio.



AVVERTENZA! Il rischio di sobbalzo è maggiore in caso di gruppo di taglio errato o combinazione lama/catena errata! Utilizzare esclusivamente le combinazioni lama/catena raccomandate e attenersi alle istruzioni per l'affilatura. Vedere le istruzioni alla sezione Dati tecnici.

Impiegare sempre il buon senso. (2)

È impossibile prevedere tutte le situazioni che possono insorgere durante l'utilizzo di una motosega. Agire sempre con cautela e impiegare il buon senso. Evitare situazioni per le quali non si ritiene di essere sufficientemente qualificati. Se restano dubbi in merito alle procedure di lavoro anche dopo aver letto le presenti istruzioni, rivolgersi a un esperto prima di continuare. Non esitare a contattare il rivenditore o il produttore per qualsiasi domanda sull'utilizzo della motosega. Siamo a vostra disposizione per fornirvi consigli che vi permettano di utilizzare la motosega in modo migliore e più sicuro. Vi consigliamo di frequentare un corso sull'utilizzo delle motoseghe. Il rivenditore, un istituto professionale o la biblioteca possono consigliarvi il materiale didattico disponibile oppure informarvi sui corsi di addestramento. Lavoriamo continuamente al

miglioramento di design e tecnologia; queste migliori aumentano la vostra sicurezza e la vostra efficienza. Recatevi regolarmente dal vostro rivenditore, che sarà lieto di illustrarvi le novità più utili.

Abbigliamento protettivo



AVVERTENZA! La maggior parte degli incidenti si verifica quando la catena colpisce l'operatore. Lavorando con la macchina usare sempre abbigliamento protettivo omologato. L'uso di abbigliamento protettivo non elimina i rischi di lesioni, ma riduce gli effetti del danno in caso di incidente. Consigliatevi con il vostro rivenditore di fiducia per la scelta dell'attrezzatura adeguata.

- Elmetto protettivo omologato
- Cuffie auricolari protettive
- Occhiali o visiera di protezione
- Guanti con protezione antitaglio
- Pantaloni con protezione antitaglio
- Stivali con protezione antitaglio, calotta di acciaio e suola antiscivolo.
- Tenere sempre a portata di mano la cassetta di pronto soccorso.
- Estintore e vanga

L'abbigliamento in generale deve essere tale da non ostacolare la libertà di movimento.

IMPORTANTE! Marmitta, lama, catena o altre fonti possono originare scintille. Tenere sempre a portata di mano un estintore o altri attrezzi per spegnere le fiamme. In questo modo potete contribuire alla prevenzione degli incendi boschivi.

Dispositivi di sicurezza della macchina

Questa sezione descrive i dispositivi di sicurezza della macchina e la loro funzione. Per i controlli e gli interventi di manutenzione, vedere le istruzioni alla sezione Controllo, manutenzione e assistenza dei dispositivi di sicurezza della motosega. Vedere le istruzioni alla sezione Identificazione delle parti per localizzare questi dispositivi sulla macchina. La durata della macchina può ridursi e il rischio di incidenti aumentare se la manutenzione non viene eseguita correttamente e se l'assistenza e/o le riparazioni non vengono effettuate da personale qualificato. Per ulteriori informazioni rivolgersi alla più vicina officina di assistenza.



AVVERTENZA! Non utilizzare mai una macchina con dispositivi di sicurezza difettosi. I dispositivi di sicurezza devono essere controllati e sottoposti a manutenzione. Vedere le istruzioni alla sezione Controllo, manutenzione e assistenza dei dispositivi di sicurezza della motosega. Se la macchina non supera anche uno solo dei controlli, rivolgersi a un centro di assistenza per le necessarie riparazioni.

Freno della catena con protezione antictraccolpo

La motosega è dotata di freno della catena progettato per fermare la catena in caso di sobbalzo. Un freno della catena riduce il rischio di incidenti, ma solamente l'utente può prevenirli con il suo operato.

Lavorate con cautela e fate in modo che il settore "a rischio di contraccolpo" non venga mai in contatto con nessun oggetto.

- Il freno della catena (A) si attiva manualmente (con la mano sinistra) o tramite la funzione di inerzia. **(3)**
- Il freno si attiva quando la protezione (B) viene spinta in avanti. **(3)**
- Il movimento attiva un dispositivo a molla che agisce sul nastro del freno (C) intorno al sistema di trazione della catena del motore (D) (tamburo della frizione). **(4)**
- La protezione antictraccolpo non serve solo ad attivare il freno della catena: Riduce anche ad un minimo il rischio che la mano sinistra entri in contatto con la catena qualora si perda la presa dell'impugnatura.
- Il freno della catena deve essere inserito all'avviamento della motosega per prevenire la rotazione della catena.
- Utilizzare il freno della catena come 'freno di stazionamento' all'avviamento e durante i brevi spostamenti per prevenire incidenti dovuti al contatto involontario fra utente o altri e catena in movimento.
- Il freno della catenavieni disattivato portando indietro la protezione antictraccolpo verso l'impugnatura anteriore.
- Il contraccolpo è improvviso e può essere molto violento. Nella maggior parte dei casi questi fenomeni sono leggeri e non provocano l'arresto della catena. In queste situazioni basta tenere ben salda la motosega e non lasciarla andare.
- Il modo di attivazione del freno, manuale o inerziale, dipende dalla violenza del contraccolpo e dalla posizione della motosega rispetto all'oggetto venuto in contatto con il settore "a rischio".
In caso di sobbalzo violento e laddove il settore a rischio di sobbalzo della lama è più distante possibile dall'utente, il freno della catena è progettato in modo da attivarsi per effetto del relativo contrappeso (inerzia) nel senso di sobbalzo.
In caso di movimenti meno violenti o in quelle situazioni in cui il settore "a rischio" è vicino all'operatore, il freno della catena viene azionato dalla mano sinistra.
- In posizione di abbattimento, la mano sinistra si trova in una posizione che non permette l'attivazione manuale del freno della catena. Durante questo tipo di interventi, cioè quando la mano sinistra per la sua posizione non è in grado di agire sulla protezione dal sobbalzo, il freno della catena può essere attivato solo tramite la funzione di inerzia.

È sufficiente il contatto con la mano per attivare sempre il freno della catena in caso di sobbalzo?

No. È necessaria una certa forza per spingere in avanti la protezione dal sobbalzo. Se la mano sfiora solamente la protezione dal sobbalzo oppure ci scivola sopra, può darsi che la forza non sia sufficiente ad attivare il freno della catena. Durante il lavoro è necessario mantenere inoltre una presa sicura dell'impugnatura della motosega. Così facendo, in caso di sobbalzo potreste non rilasciare la mano dall'impugnatura anteriore e non attivare il freno della catena oppure il freno della catena potrebbe attivarsi dopo che la motosega ha continuato a girare un altro po'. In questa situazione il freno della catena potrebbe non fermare la catena in tempo e la catena potrebbe colpirvi.

Vi sono anche posizioni di lavoro nelle quali la mano non può raggiungere la protezione dal sobbalzo e attivare il freno della catena, per esempio quando si tiene la motosega in posizione di abbattimento.

Il freno della catena è sempre attivato dalla funzione di inerzia in caso di sobbalzo?

No. In primo luogo il freno deve essere funzionante. È facile provare il freno. Vedere le istruzioni alla sezione Controllo, manutenzione e assistenza dei dispositivi di sicurezza della motosega. Si raccomanda di eseguire questa operazione all'inizio di ogni turno. In secondo luogo il sobbalzo deve essere di forza sufficiente ad attivare il freno della catena. Se il freno della catena fosse troppo sensibile, si attiverebbe continuamente causando inutili interruzioni del lavoro.

Il freno della catena protegge sempre l'utente da danni in caso di sobbalzo?

No. In primo luogo il freno deve essere funzionante, per dare la protezione prevista. In secondo luogo deve attivarsi come descritto in precedenza, affinché la catena si fermi in caso di sobbalzo. In terzo luogo il freno della catena potrebbe attivarsi, ma se la lama è troppo vicina all'utente, può darsi che il freno non abbia il tempo di rallentare e fermare la catena prima che la motosega venga a contatto con l'utente.

Solamente l'utente e una corretta tecnica di lavoro possono eliminare sobbalzi e relativi rischi.

Fermo del gas

Il fermo dell'acceleratore ha il compito di prevenire l'attivazione involontaria dell'acceleratore. Premendo il fermo (A) all'interno dell'impugnatura (= tenendo l'impugnatura) si sblocca l'acceleratore (B). Rilasciando l'impugnatura, sia l'acceleratore che il relativo fermo ritornano nelle posizioni originarie. In questa posizione, l'acceleratore è automaticamente bloccato sul minimo. (5)

Fermo della catena

È costruito in modo da bloccare la catena qualora questa salti o si strappi. Questi fenomeni si evitano normalmente con un tensionamento corretto della catena (vedi istruzioni alla voce Montaggio) e con la corretta manutenzione di lama e catena (vedi istruzioni alla voce Istruzioni generali di lavoro).

Protezione della mano destra

Oltre a proteggere la mano in caso di salto o rottura della catena, assicura la presa sull'impugnatura posteriore nonostante la presenza di rami o frasche.

Sistema di smorzamento delle vibrazioni

Il sistema di smorzamento delle vibrazioni adottato, elimina la maggior parte delle vibrazioni che si sviluppano durante l'uso della macchina.

Il sistema di smorzamento delle vibrazioni della macchina ne riduce la propagazione tra gruppo motore/gruppo di taglio e impugnature. Il corpo della motosega, compreso il gruppo di taglio, è sospeso alle impugnature tramite elementi smorzatori.

Il taglio in un legno duro (la maggior parte delle latifoglie) produce più vibrazioni del taglio in un legno tenero (gran parte delle conifere). Le vibrazioni aumentano se l'attrezzatura di taglio non è ben affilata o se è di tipo non adeguato.



AVVERTENZA! La sovraesposizione a vibrazioni può provocare lesioni vascolari o nervose in soggetti che soffrono di disfunzioni circolatorie. Rivolgersi a un medico se si provano sintomi ricollegabili alla sovraesposizione a vibrazioni. Esempi di questi sintomi: intorpidimento, perdita di sensibilità, "formicolio", "torpore", dolore, mancanza di forza o riduzione delle forze normali, alterazioni di colore o aspetto della pelle. Questi sintomi si manifestano solitamente a dita, mani o polsi. I sintomi possono accentuarsi a temperature rigide.

Interruttore di arresto

L'interruttore di arresto serve a spegnere il motore.

Marmitta

La marmitta è progettata per ridurre il livello acustico e allontanare dall'operatore i gas di scarico del motore.



AVVERTENZA! I gas di scarico del motore sono molto caldi e possono contenere scintille in grado di provocare incendi. Non avviare mai la macchina in ambienti chiusi o vicino a materiale infiammabile!

In aree dal clima caldo e asciutto può sussistere un grosso pericolo di incendi. In alcune di queste aree la legislazione può prevedere, per esempio, che la marmitta sia dotata di rete parascintille omologata (A). (6)

N.B! La marmitta è molto calda durante l'uso e per un po' di tempo dopo. Quanto detto vale anche se la macchina funziona al minimo. Considerare il pericolo di incendio, specialmente quando si movimentano sostanze e/o gas infiammabili.



AVVERTENZA! Non utilizzare mai una motosega se la marmitta è difettosa o mancante. Una marmitta difettosa può aumentare sensibilmente il livello acustico e il pericolo di incendio. Tenere a portata di mano un estintore o altri attrezzi per spegnere le fiamme. Non utilizzare mai una motosega se è difettosa o manca la rete parascintille obbligatoria per legge nella vostra area.

Attrezzatura di taglio

Questa parte vi indica, con la corretta manutenzione e l'uso del tipo di attrezzatura di taglio, come:

- Ridurre la tendenza al contraccolpo della macchina.
- Riduce il pericolo di caduta o rottura della catena.
- Fornisce prestazioni di taglio ottimali.
- Aumentare la durata dell'attrezzatura di taglio.
- Previene l'aumento dei livelli di vibrazioni.

Regole basilari

- **Usare solo attrezzatura di taglio da noi consigliata!** Vedere le istruzioni alla sezione Dati tecnici.
- **Tenere sempre ben affilati i denti della catena!** Seguire le istruzioni e usare i riscontri raccomandati. Se la catena non è ben affilata, aumenta il rischio di incidenti.
- **Mantenere un angolo di spoglia corretto!** Seguire le nostre istruzioni, utilizzando l'affilatore raccomandato per l'angolo di spoglia. Un angolo di spoglia troppo grande aumenta il rischio di sobbalzo.
- **Controllare la tensione della catena!** Una catena troppo lenta salta facilmente e aumenta l'usura di ruota di rinvio, lama e catena.
- **Curare la lubrificazione e la manutenzione dell'attrezzatura di taglio!** Una lubrificazione insufficiente aumenta il rischio di rottura della catena e di usura di ruota di rinvio, lama e catena.

Gruppo di taglio a sobbalzo ridotto



AVVERTENZA! Il rischio di sobbalzo è maggiore in caso di gruppo di taglio errato o combinazione lama/catena errata! Utilizzare esclusivamente le combinazioni lama/catena raccomandate e attenersi alle istruzioni per l'affilatura. Vedere le istruzioni alla sezione Dati tecnici.

Il contraccolpo si può prevenire solo evitando di toccare un qualsiasi oggetto con la parte superiore della punta della lama, il così detto settore "a rischio".

Adottando attrezzatura di taglio con riduzione del contraccolpo "incorporata" e mantenendo sempre ben affilata la catena è possibile ridurre gli effetti del contraccolpo.

Lama

Minore è il raggio del puntale, minore è la propensione al sobbalzo.

Catena

La catena è costituita da una serie di maglie disponibili in versione standard o a riduzione del contraccolpo.

IMPORTANTE! Nessuna catena è in grado di eliminare completamente il rischio di sobbalzo.



AVVERTENZA! Il contatto con una catena in rotazione può provocare danni molto seri.

Alcuni termini relativi a lama e catena

Per mantenere tutti i dispositivi di sicurezza del gruppo di taglio, si raccomanda di sostituire le combinazioni lama/catena usurate o danneggiate con ricambi raccomandati da Jonsered. Vedere le istruzioni alla sezione Dati tecnici in merito alle combinazioni lama/catena raccomandate.

Lama

- Lunghezza (pollici/cm)
- Numero di denti nella rotella di punta (T).
- Partitura della catena (=pitch) (pollici). La rotella di punta della lama e l'ingranaggio di trascinamento della catena devono essere adeguati alla distanza tra le maglie di trascinamento.
- Numero di maglie di trascinamento (pz). Ogni lunghezza di lama, unita alla partitura della catena e ai denti della rotella di punta, risulta in un preciso numero di maglie di trascinamento.
- Larghezza della guida della lama (pollici/mm). La larghezza della guida della lama deve essere adeguata alla larghezza delle maglie di trascinamento.
- Foro di lubrificazione della catena e foro del perno tendicatena. La lama dev'essere adeguata alla costruzione della motosega.

Catena

- Partitura (=pitch) (pollici)
- Larghezza della maglia di trascinamento (mm/pollici)
- Numero di maglie di trascinamento (pz)

Affilatura e regolazione dell'angolo di spoglia della catena



AVVERTENZA! Indossare sempre i guanti durante i lavori sulla catena per prevenire lesioni alle mani.

Generalità sull'affilatura della catena

- Non segare mai con una catena usurata. La catena è usurata quando è necessario forzare il gruppo di taglio nel legno e i trucioli sono molto piccoli. Se la catena è molto usurata, non produce alcun truciolo. Si produce solamente segatura.
- Se la catena è affilata correttamente, penetra nel legno e produce trucioli grandi e lunghi.
- La parte tagliente di una catena è definita anello tagliente e si compone di un dente di taglio (A) e un oggetto di taglio (B). La distanza in altezza fra queste parti rappresenta la profondità di taglio. (7)

Per l'affilatura del dente di taglio occorre considerare quattro misure.

- 1 Angolo di affilatura
- 2 Angolo di appoggio
- 3 Posizione della lima
- 4 Diametro della lima tonda

È estremamente difficile affilare correttamente una catena senza gli attrezzi adatti. Per questo consigliamo il nostro affilatore. Affilando la catena con esso, si otterranno la massima riduzione del sobbalzo e le migliori prestazioni di taglio.

Vedere le istruzioni alla sezione Dati tecnici in merito ai fattori da osservare per l'affilatura della catena della motosega.



AVVERTENZA! Il mancato rispetto delle istruzioni di affilatura aumenta sensibilmente la propensione al sobbalzo della catena.

Affilatura dei denti

Per l'affilatura del dente di taglio occorrono una lima tonda e un affilatore. Vedere le istruzioni alla sezione Dati tecnici in merito al diametro della lima tonda e all'affilatore raccomandato per la catena della motosega.

- Controllare che la catena sia ben tesa. In caso contrario la catena si muove lateralmente ed è più difficile ottenere una corretta affilatura.
- Affilare sempre il dente di taglio dall'interno verso l'esterno. Allentare la pressione sulla lima in fase di ritorno. Affilare prima tutti i denti di un lato, girare poi la motosega e ripetere l'operazione.
- Affilare facendo in modo che tutti i denti siano di uguale lunghezza. Quando il dente di taglio è di soli 4 mm (0,16"), la catena è usurata e va rottamata. **(8)**

Generalità sulla regolazione dell'angolo di spoglia

- Affilando il dente di taglio si riduce l'angolo di spoglia (= profondità di taglio). Per mantenere le migliori prestazioni di taglio, l'oggetto di spoglia deve essere abbassato al livello raccomandato. Vedere le istruzioni alla sezione Dati tecnici in merito all'angolo di spoglia adatto alla catena della motosega.



AVVERTENZA! Un angolo di spoglia troppo grande aumenta la propensione al sobbalzo della catena!

Regolazione dell'angolo di spoglia

- Prima di regolare l'angolo di spoglia, verificare che i denti di taglio siano stati affilati di recente. Si raccomanda di regolare l'angolo di spoglia ogni tre affilature della catena. NB - Questa raccomandazione presuppone che i denti di taglio non siano stati affilati a una lunghezza anomala.
- Per la regolazione dell'angolo di spoglia occorrono una lima piatta e un affilatore. Si raccomanda l'utilizzo del nostro affilatore per l'angolo di spoglia, che garantisce un angolo di spoglia corretto e un'angolazione corretta dell'oggetto di spoglia.
- Appoggiare l'affilatore sulla catena. Le informazioni per l'uso dell'affilatore sono riportate sulla confezione. Utilizzando la lima piatta, asportare l'eccedenza della sporgenza dell'oggetto di spoglia. L'angolo di spoglia è corretto quando, facendo passare la lima sull'affilatore, non si incontra alcuna resistenza.

Tensionamento della catena



AVVERTENZA! Una catena troppo lente salta facilmente, e rappresenta motivo di pericolo in quanto può provocare lesioni gravi o mortali.



AVVERTENZA! Utilizzare sempre guanti protettivi omologati. Anche una catena immobile può provocare serie lesioni all'utente o altri, in caso di contatto.

La lunghezza della catena aumenta con l'uso. È importante quindi regolare l'attrezzatura di taglio in seguito a cambiamenti del genere.

Controllare spesso la tensione della catena, meglio se ad ogni occasione di rifornimento. N.B! Se la catena è nuova, richiede un periodo di rodaggio durante il quale va controllata più spesso.

Tendere la catena il più possibile, ma in modo che possa essere facilmente fatta girare con la mano. **(9)**

- Allentare i dadi della lama che bloccano il coperchio della frizione/freno della catena. Usare la chiave combinato. Stringere poi i dadi a mano, il più possibile. **(10)**
- Sollevare la punta della lama e tirare la catena avvitando la vite del tendicatena con l'utensile combinato. Tendere la catena fino a quando non rimane nella scanalatura intorno alla lama. **(11)**
- Stringere i dadi con la chiave combinata tenendo sollevata la punta della lama. Tendere la catena il più possibile, ma in modo che possa essere facilmente fatta girare con la mano. **(12)**

Lubrificazione dell'attrezzatura di taglio



AVVERTENZA! Una lubrificazione insufficiente dell'attrezzatura di taglio provoca la rottura della catena con gravi rischi di lesioni personali anche mortali.

Olio per catena

L'olio per catena deve presentare una buona aderenza e buone proprietà di scorrimento, sia d'estate che d'inverno.

In qualità di produttori di motoseghe abbiamo messo a punto un olio per catena ottimale e, grazie alla base vegetale, biodegradabile. Consigliamo l'utilizzo del nostro olio per assicurare la massima durata della motosega e tutelare l'ambiente. Qualora il nostro olio per catena non fosse disponibile, utilizzare un comune olio per catene.

Non utilizzare mai oli esausti! È nocivo per voi, la macchina e l'ambiente.

IMPORTANTE! Utilizzando un olio della catena vegetale, rimuovere e pulire scanalatura della lama e catena prima di lunghi periodi di rimessaggio. In caso contrario sussiste il rischio di ossidazione della catena, con conseguente irrigidimento della catena e grippaggio del puntale a rocchetto della lama.

Rifornimento dell'olio per catena

- Tutti le nostre motoseghe sono dotate di lubrificazione automatica della catena. Su alcuni modelli il flusso dell'olio è regolabile.
- Serbatoio dell'olio della catena e serbatoio del carburante sono dimensionati in modo che il carburante si esaurisca prima dell'olio.
Questa funzione di sicurezza prevede tuttavia l'utilizzo di un olio della catena corretto (se l'olio è troppo fluido, il relativo serbatoio si svuota prima dell'esaurimento del carburante), il rispetto delle nostre raccomandazioni sulla scelta del gruppo di taglio (una lama troppo lunga richiede più olio della catena).

Controllo della lubrificazione della catena

- Controllare il funzionamento della lubrificazione ad ogni rifornimento. Vedere le istruzioni alla sezione Ingrassaggio del puntale a rochetto della lama.
Puntare la lama contro una superficie chiara, da una ventina di centimetri (8 pollici) di distanza. Dopo un minuto circa, a 3/4 di gas, la superficie dovrà presentare evidenti tracce d'olio.

Se la lubrificazione non funziona:

- Controllare che il canale di lubrificazione della lama non sia ostruito. Pulire se necessario.
- Controllare che la scanalatura sulla lama sia pulita. Pulire se necessario.
- Controllare che la rotella di punta giri liberamente e che il foro di lubrificazione sia pulito. Pulire e lubrificare se necessario.

Se la lubrificazione non funziona, nonostante i controlli e gli interventi relativi, contattare immediatamente un'officina autorizzata.

Rotella di trascinamento della catena

Il tamburo della frizione è dotato di una puleggia Spur (la puleggia della catena saldata al tamburo).

Controllare regolarmente il livello di usura della rotella di trascinamento. Sostituire se necessario. La rotella va sostituita ogni volta che si cambia la catena.

Controllo dell'usura dell'attrezzatura di taglio

Controllare giornalmente la catena, ed in particolare:

- Presenza di fratture o lesioni sui perni o sulle maglie.
- Elasticità della catena.
- Usura inconsueta di maglie e denti.

Gettare la catena se mostra uno o più dei suddetti difetti.

Per riferimento usare una catena nuova.

Quando la lunghezza del dente di taglio è di soli 4 mm, sostituire la catena con una nuova.

Lama

Controllare con regolarità:

- La presenza di graffi sui lati della lama. Eliminare con una lima se necessario. **(13A)**
- Se la scanalatura della lama è usurata oltre il normale. Sostituire la lama se necessario. **(13B)**

- Se la punta della lama è usurata irregolarmente. In caso di formazione di un "affossamento" alla fine della curvatura della punta, la catena non è correttamente tesa.
- Per la massima durata girare la lama giornalmente.



AVVERTENZA! La maggior parte degli incidenti si verifica quando la catena colpisce l'operatore.

Usare sempre abbigliamento protettivo. Vedi istruzioni alla voce Abbigliamento protettivo.

Evitare operazioni per le quali non vi sentite qualificati. Vedi istruzioni alle voci Abbigliamento protettivo, Prevenzione del contraccolpo, Attrezzatura di taglio e Istruzioni generali di lavoro.

Evitare situazioni con rischio di contraccolpo. Vedi istruzioni alle voci Dispositivi di sicurezza sulla macchina.

Usare attrezzatura di taglio raccomandata e controllarne lo stato. Vedi istruzioni alle voci Istruzioni generali di lavoro.

Controllare il funzionamento dei dispositivi di sicurezza della motosega. Vedi istruzioni alle voci Istruzioni generali di lavoro e Norme generali di sicurezza.

Montaggio di lama e catena



AVVERTENZA! Controllo e/o manutenzione devono essere effettuati a motore spento. Il contatto di arresto torna automaticamente in posizione di avviamento. Prevenire l'avviamento involontario staccando sempre il cappuccio dalla candela prima di effettuare operazioni di montaggio, controllo e/o manutenzione.

Indossare sempre i guanti durante i lavori sulla catena per prevenire lesioni alle mani.

Controllare che il freno della catena non sia attivato tirando la protezione anticontraffacco verso l'impugnatura anteriore.

Svitare i dadi della lama, togliendo anche il coperchio della frizione (freno della catena). Eliminare la protezione per il trasporto.(A) (15)

Montare la lama sui perni di fissaggio. Spingere la lama indietro al massimo. Sistemare la catena sopra la ruota motrice e farla passare nella scanalatura. Cominciare dalla parte superiore. (17)

Controllare che il taglio dei denti sia rivolto in avanti, sul lato superiore della lama.

Montare il coperchio della frizione (il freno della catena) e individuare il tendicatena nella sede sulla lama. Controllare che i denti di trazione della catena prendano nella ruota motrice e che la catena sia a posto nella scanalatura. Stringere con le dita i dadi di fissaggio della lama. (17)

Tendere la catena con la vite apposita e la chiave combinata avvitandola in senso orario. La tensione è corretta quando la catena rimane nella scanalatura intorno alla lama. Vedere le istruzioni alla sezione Tensionamento della catena. (18)

La tensione è corretta quando la catena rimane nella scanalatura intorno alla lama ed è possibile farla scorrere con le dita, senza sforzo. Serrare a fondo i dadi con la chiave combinata tenendo sollevata la punta della lama. (19)

Controllare spesso la tensione di una nuova catena fino al termine del rodaggio. Eseguire il controllo regolarmente. Una catena correttamente tesa significa migliori caratteristiche di taglio e lunga durata. (19)

Montaggio dell'appoggio per la corteccia

Per il montaggio dell'appoggio della corteccia contattare il rivenditore autorizzato.

Carburante

Osservare! La macchina è dotata di motore a due tempi e deve sempre funzionare con una miscela di benzina e olio per motori a due tempi. Per garantire il corretto rapporto di miscelazione, misurare accuratamente la quantità di olio da miscelare. Preparando piccole quantità di carburante, anche un minimo errore nella quantità di olio può influenzare notevolmente il rapporto di miscelazione.



AVVERTENZA! Durante il rifornimento assicurare la massima ventilazione.

Benzina

- Usare benzina di buona qualità, con o senza piombo.
- Il numero minimo di ottani consigliato è 90 (RON). Un esercizio con numero di ottani inferiore a 90 può far sì che il motore "si inchiodi". Ciò comporta un aumento della temperatura e del carico, con la possibilità di gravi danni al motore.
- Lavorando spesso ai massimi regimi del motore, come in caso della diramatura, usare una benzina con un più alto tenore di ottani.

Rodaggio

Evitare regimi eccessivi per periodi prolungati durante le prime 10 ore di esercizio.

Olio per motori a due tempi

- Per un risultato ottimale, utilizzare l'olio per motori a due tempi JONSERED, studiato appositamente per i nostri motori a due tempi con raffreddamento ad aria.
- Non utilizzare mai olio per motori a due tempi formulato per motori fuoribordo con raffreddamento ad acqua (outboardoil - TCW).
- Non usare mai olio per motori a quattro tempi.
- Un olio di qualità scadente o una miscela carburante/olio troppo ricca può pregiudicare il corretto funzionamento della marmitta e ridurne la vita utile.

Miscela

1:50 (2%) con olio per motori a due tempi JONSERED.

1:33 (3%) con altri oli per motori a due tempi con raffreddamento ad aria classificati a norma JASO FB/ISO EGB.

Benzina, litri	Olio per motori a due tempi, litri	
	2% (1:50)	3% (1:33)
5	0,10	0,15
10	0,20	0,30
15	0,30	0,45
20	0,40	0,60

Preparazione della miscela

- Preparare la miscela in recipiente pulito e a parte, omologato per la benzina.
- Iniziare con il versare metà della benzina da usare. Aggiungere tutto l'olio. Mescolare agitando. Versare la benzina rimanente.
- Mescolare (agitare) accuratamente prima di procedere al rifornimento.
- Preparare una quantità di miscela necessaria al massimo per un mese.
- In caso di rimessaggio prolungato, vuotare e pulire il serbatoio del carburante.

Olio della catena

- Per la lubrificazione si consiglia un olio speciale (olio per catene) dalle buone proprietà di adesione.
- Non usare mai olio di recupero. Ciò comporterebbe danni alla pompa, alla lama e alla catena.
- È importante usare olio adatto alla temperatura dell'aria (corretta viscosità).

- Con temperature inferiori a 0°C alcuni oli diventano più densi. Questo può sovraccaricare la pompa danneggiandone i componenti.
- Per la scelta dell'olio contattare l'officina di servizio.

Rifornimento



AVVERTENZA! I seguenti accorgimenti diminuiscono il pericolo di incendio:

Non fumare né collocare oggetti caldi nelle vicinanze del carburante.

Spegnere il motore e lasciarlo raffreddare alcuni minuti prima del rifornimento.

Aprire il tappo del serbatoio con cautela, per eliminare eventuali sovrappressioni.

Dopo il rifornimento chiudere bene il tappo.

Spostare sempre la macchina dal luogo del rifornimento prima della messa in moto.

Pulire intorno al tappo del serbatoio carburante. Pulire regolarmente il serbatoio carburante e quello dell'olio della catena. Sostituire il filtro del carburante almeno una volta l'anno. L'entrata di impurità nel serbatoio provoca disturbi di funzionamento. Agitare la miscela prima del rifornimento. Il volume del serbatoio del carburante è adeguato a quello del serbatoio dell'olio della catena. Rifornire quindi di olio e di carburante contemporaneamente.



AVVERTENZA! Il carburante ed i relativi vapori sono particolarmente infiammabili. Maneggiare con cura olio della catena e carburante. Attenzione al pericolo di incendio ed esplosione.

Carburante

- Effettuare sempre il rifornimento a motore spento.
- Durante il rifornimento e la preparazione della miscela (benzina e olio per motori a due tempi) assicurare la massima ventilazione.
- Prima di avviare la macchina spostarla di almeno 3 metri dal luogo del rifornimento.
- Non accendere mai la macchina:
 - 1 Se vi sono gocce di carburante oppure olio della catena sulla macchina. Eliminare ogni traccia di sporco e lasciare evaporare i resti di benzina.
 - 2 Se avete versato del carburante su voi stessi o sui vostri abiti, cambiare abiti. Lavare le parti del corpo che sono venute a contatto con il carburante. Usare acqua e sapone.
 - 3 Se vi sono perdite di carburante nella macchina. Controllare con regolarità la presenza di eventuali perdite dal tappo del serbatoio o dai tubi di alimentazione.



AVVERTENZA! Non utilizzare mai una macchina che presenta danni visibili a protezione e cavo della candela. Sussiste il rischio di formazione di scintille, con conseguente pericolo di incendio.

Trasporto e rimessaggio

- Conservare motosega e carburante in luogo ben ventilato e lontano da fiamme o sorgenti di calore. Ad esempio: macchine elettriche, motori elettrici, connettori/interruttori, caldaie eccetera.
- Per la conservazione del carburante usare solo recipienti omologati.
- In caso di lungo rimessaggio e trasporto della motosega, vuotare sempre i serbatoi del carburante e dell'olio della catena di taglio. Contattare la stazione di rifornimento più vicina per lo smaltimento del carburante e dell'olio in eccesso.
- Accertarsi che la macchina sia ben pulita e che sia stata sottoposta a tutte le operazioni di assistenza prima di ogni rimessaggio a lungo termine.
- Per prevenire il contatto involontario con le parti affilate della catena, la protezione per il trasporto del gruppo di taglio deve essere sempre montata durante il trasferimento o il rimessaggio della macchina. Anche una catena immobile può provocare serie lesioni all'utente o altri, in caso di contatto.
- Mettere in sicurezza la macchina durante il trasporto.

Lunghi periodi di rimessaggio

Svuotare i serbatoi di carburante e olio in un luogo sufficientemente ventilato. Conservare il carburante in taniche omologate e in un luogo sicuro. Montare la protezione della lama. Pulire la macchina. Vedere le istruzioni alla sezione Schema di manutenzione.

Avviamento e arresto



AVVERTENZA! Prima dell'avviamento osservare quanto segue:

Il freno della catena deve essere inserito all'avviamento della motosega per ridurre il rischio di contatto con la catena in rotazione.

Non avviare mai la motosega prima che la lama, la catena e tutti i carter siano correttamente montati. La frizione potrebbe staccarsi e causare danni alle persone.

Situare la macchina su una superficie fissa. Accertarsi di avere una posizione stabile e che la catena non venga a contatto con corpi estranei.

Osservare che non vi siano non addetti ai lavori nelle vicinanze.

Motore freddo

Avviamento: Il freno della catena dev'essere inserito all'avviamento della motosega. Attivare il freno spingendo avanti la protezione anticontraccolpo. (20)

1. Pompa carburante: Premere più volte sulla sacca in gomma della pompa fino a quando la sacca comincia a riempirsi di carburante. Non è necessario che la sacca sia completamente piena. (23)

2. Aria: Estrarre completamente lo starter blu/acceleratore (alla posizione **FULL CHOKE**). Quando il comando dell'aria è completamente estratto, si imposta automaticamente una posizione di gas all'avviamento corretta. (21)

Gas di avviamento: Si ottiene automaticamente con il comando in posizione di starter. (22)

Avviamento

Afferrare saldamente l'impugnatura anteriore con la sinistra. Porre il piede destro sulla parte inferiore della maniglia posteriore e premere la motosega contro il terreno.

3. Tirare lentamente la cordicella con la destra, fino a quando fa resistenza (entra in presa il dispositivo di avviamento) e tirare quindi con strappi decisi e veloci.

Non avvolgere mai la cordicella di avviamento intorno alla mano. (25)

N.B! Non estrarre completamente la cordicella e non lasciare la maniglia di avviamento con la cordicella estratta. Questo potrebbe danneggiare la macchina.

4. Spingere il comando della valvola dell'aria sull'impostazione "1/2 comando dell'aria" non appena il motore dà segno di accendersi, cioè quando si sente sbuffare. (21)

5. Continuare a toirare con forza la corda fino all'avviamento del motore. (26) Far riscaldare il motore per 30 secondi, quindi premere il grilletto acceleratore per impostare in modalità minimo normale.

Dato che il freno della catena è ancora inserito, il regime del motore deve scendere al minimo il più presto possibile, il che si ottiene premendo velocemente sulla leva dell'acceleratore. In questo modo si evita di usurare inutilmente la frizione, il tamburo della frizione e il nastro del freno.

Osservare! Ripristinare il freno della catena portando la protezione dal sobbalzo (contrassegnata con "PULL BACK TO RESET") verso la staffa dell'impugnatura. (27) A questo punto, la motosega è pronta per l'uso.

Motore caldo

Procedere come per il motore a freddo, ma senza agire sullo starter. Regolare l'acceleratore sulla posizione di avviamento tirando in fuori il comando blu dello starter e quindi reinserendolo completamente. (24)



AVVERTENZA! L'inalazione prolungata dei gas di scarico del motore, dei vapori dell'olio della catena e della polvere di segatura può essere dannosa per la salute.

- Non avviare mai la motosega prima che la lama, la catena e tutti i carter siano correttamente montati. Vedi istruzioni alla voce Montaggio. Quando lama e catena sono smontate dalla motosega, la frizione può staccarsi e provocare seri danni. (28)
- Il freno della catena deve essere inserito all'avviamento della motosega. Vedere le istruzioni alla sezione Avviamento e arresto. Non avviare mai la motosega facendola cadere e tenendola per la fune. Questo metodo è estremamente pericoloso, perché si perde facilmente il controllo della motosega. (29)
- Non accendere mai la macchina in ambienti chiusi. Non dimenticate che i gas di scarico sono velenosi.
- Osservare l'ambiente circostante per escludere il rischio che persone o animali vengano a contatto con gli attrezzi di taglio.
- Tenere sempre saldamente la motosega con entrambe le mani. Tenere la mano destra sull'impugnatura posteriore e la mano sinistra su quella anteriore. **Tutti gli utenti, destri o mancini che siano, devono utilizzare questa presa.** Mantenere una presa stabile, in modo che pollici e dita circondino le impugnature della motosega. (30)

Arresto

Arrestare il motore premendo il pulsante di arresto. (31)

Ad ogni utilizzo: (32)

- 1 Controllare che il freno della catena funzioni adeguatamente e che non sia danneggiato.
- 2 Controllare che la protezione posteriore della mano destra non sia danneggiata.
- 3 Controllare che il fermo dell'acceleratore funzioni adeguatamente e che non sia danneggiato.
- 4 Controllare che il contatto di arresto funzioni correttamente e sia integro.
- 5 Controllare che tutte le impugnature siano prive di olio.
- 6 Controllare che il sistema antivibrazioni funzioni e che non sia danneggiato.
- 7 Controllare che la marmitta sia ben fissa e che non sia danneggiata.
- 8 Controllare che tutti i componenti della motosega siano serrati e che non siano danneggiati o mancanti.
- 9 Controllare che il perno fermacatena sia al suo posto e che non sia danneggiato.
- 10 Controllare la tensione della catena.

Istruzioni generali di lavoro

IMPORTANTE!

Questo capitolo affronta le regole di sicurezza basilari per lavorare con una motosega. Queste informazioni non possono assolutamente sostituire l'esperienza e la professionalità di un professionista. In caso di dubbi o insicurezza consultatevi con un esperto. Rivolgetevi al vostro rivenditore, ad un'officina autorizzata o un operatore competente. Evitare qualsiasi operazione per la quale non vi riteniate sufficientemente qualificati!

Prima di usare la motosega è necessario comprendere cos'è il contraccolpo e come può essere evitato. Vedi istruzioni alla voce Prevenzione del contraccolpo.

Prima di usare la motosega assicurarsi di avere capito la differenza tra il taglio con la parte inferiore e superiore della lama. Vedere le istruzioni alle sezioni Provvedimenti di prevenzione del sobbalzo e Dispositivi di sicurezza della macchina.

Usare sempre abbigliamento protettivo. Vedi istruzioni alla voce Abbigliamento protettivo.

Norme basilari di sicurezza

- 1 Osservare l'ambiente circostante:
- Per escludere la presenza di persone, animali o altro che possa interferire sul vostro controllo della macchina.
- Per evitare che i suddetti non vengano a contatto con la catena o siano colpiti dall'albero in caduta.

N.B! Osservare quanto sopra e non lavorare mai con la motosega se non potete chiedere aiuto in caso di incidente.

- 2 Evitare di lavorare in condizioni di tempo sfavorevoli. Ad esempio nebbia, pioggia intensa, vento forte ecc. Il lavorare con tempo cattivo è spesso stancante e comporta situazioni di rischio, come ad esempio il terreno scivoloso, cambio di direzione di caduta dell'albero ecc.

- 3 Prestare la massima cautela durante il taglio di rametti sottili ed evitare di segare i cespugli (più rametti in una volta). I rametti possono essere afferrati dalla catena, posti a rotazione e causare lesioni.
- 4 Accertarsi di poter camminare e lavorare in posizione sicura. In caso di spostamenti, controllare che non vi siano ostacoli (ceppi, radici, rami, fossati ecc.) Fare particolare attenzione lavorando su terreni in pendenza.
- 5 Usare la massima prudenza segando alberi in tensione. Un albero in tensione può scattare indietro per riassumere la sua posizione originaria, sia prima che dopo l'operazione. Una posizione sbagliata dell'operatore o del taglio può far sì che l'albero colpisca l'operatore o la macchina in modo da fargli perdere il controllo. In entrambi i casi vi è rischio di gravi danni personali.
- 6 Fermare la catena agendo sul freno della catena e spegnere il motore prima di trasferirsi da un luogo ad un altro. Portare la motosega con lama e catena rivolte all'indietro. In caso di trasporti lunghi usare il coprilama.
- 7 Quando si appoggia la motosega a terra, bloccare la catena con il relativo freno e tenere d'occhio la macchina. Per soste più lunghe, spegnere il motore.



AVVERTENZA! A volte restano incastrate schegge nel coperchio della frizione, causando un inceppamento della catena. Spegnere sempre il motore prima della pulizia.

Regole basilari

- 1 Conoscendo il fenomeno del contraccolpo e i motivi che lo causano, è possibile eliminare il fattore "sorpresa". La sorpresa aumenta il rischio di incidenti. La maggior parte dei contraccolpi sono di entità limitata, ma possono verificarsi anche fenomeni improvvisi e molto violenti.
- 2 Impugnare saldamente la motosega con la mano destra sull'impugnatura posteriore e quella sinistra sull'anteriore. Tutte le dita devono essere ben chiuse intorno alle impugnature. Questa presa vale per tutti gli operatori, anche se mancini. In questo modo si riduce al massimo l'effetto del contraccolpo e si mantiene il controllo della motosega. **Non abbandonare ma le impugnature!**
- 3 La maggior parte degli incidenti causati da contraccolpo si verifica durante la diramatura. Accertarsi di avere una posizione stabile e che non vi siano corpi estranei sul terreno che possano farvi inciampare o perdere l'equilibrio.

Una mancanza di cautela può far sì che il settore a rischio della lama incontri inavvertitamente un ramo, un albero abbattuto o altri oggetti che potrebbero causare il contraccolpo.

Tenere d'occhio il pezzo. Se i pezzi da segare sono piccoli e leggeri, possono restare impigliati alla catena ed essere proiettati con violenza. Anche se questa situazione non è necessariamente pericolosa, potrebbe cogliervi di sorpresa e farvi perdere il controllo della motosega. Non segare mai cataste di tronchi o rami. Separarli prima del taglio. Segare un

solo tronco o pezzo alla volta. Rimuovere i pezzi segati, in modo da mantenere sicura l'area di lavoro.

- 4 **Non usare la motosega ad un'altezza superiore alle spalle. Non segare con la punta della lama. Non usare mai la motosega con una sola mano! (33)**
- 5 Per avere il pieno controllo della motosega è necessario assumere una posizione stabile. Non lavorare mai in piedi su una scala, su un albero o senza un piano stabile su cui stare. **(34)**
- 6 Tagliare sempre con un'elevata velocità della catena, cioè con il motore al massimo.
- 7 Fare particolare attenzione lavorando con la parte superiore della lama, cioè dalla sezione inferiore dell'oggetto. Questa tecnica è definita con catena a spingere. La catena ha la tendenza a spingere la motosega all'indietro, contro l'operatore. Se la catena resta impigliata, la motosega può essere scagliata all'indietro verso l'utente.
- 8 Se l'operatore non tiene ben salda la motosega, c'è il rischio che questa si sposti all'indietro di modo che il settore a rischio della lama incontra il tronco, provocando un contraccolpo improvviso. **(35)**
Il taglio con la parte inferiore della lama, cioè dalla parte superiore dell'oggetto verso il basso, si chiama taglio con catena a tirare. La motosega viene tirata verso il tronco e il bordo anteriore del corpo della motosega diventa un appoggio naturale. Questa tecnica assicura il massimo controllo della motosega e della posizione del settore a rischio.
- 9 Seguire le istruzioni di affilatura e manutenzione di lama e catena. Sostituendo la lama e la catena, utilizzare solo le combinazioni raccomandate. Vedi istruzioni alle voci Attrezzatura di taglio e Caratteristiche tecniche.

Tecnica basilare di taglio



AVVERTENZA! Non utilizzare mai una motosega tenendola con una mano sola. Una mano non è sufficiente per il controllo sicuro di una motosega. Mantenere una presa sicura e stabile delle impugnature, con entrambe le mani.

Generalità

- Tagliare sempre con il motore al massimo!
- Dopo ogni taglio decelerare il motore (l'esercizio prolungato del motore ad alti regimi senza essere sotto carico, vale a dire se la catena gira a vuoto, provoca gravi avarie).
- Tagliare dall'alto verso il basso = con la catena a tirare.
- Tagliare dal basso verso l'alto = con la catena a spingere.

La tecnica di taglio con catena a spingere implica un maggior rischio di contraccolpo. Vedi istruzioni alla voce Prevenzione del contraccolpo.

Terminologia

Taglio = Il comune taglio di un legno.

Diramatura = Si intende il taglio dei rami da un tronco abbattuto.

Taglio con rottura = Quando il tronco da tagliare si rompe prima di aver completato il taglio.

Prima di apprestarsi al taglio considerare cinque fattori di estrema importanza:

- 1 L'attrezzatura di taglio non deve bloccarsi nel taglio stesso.
- 2 L'oggetto da tagliare non deve separarsi per rottura.
- 3 La catena non deve andare a batter sul terreno o altri oggetti durante e alla conclusione del taglio.
- 4 Sussiste il rischio di contraccolpo?
- 5 Il terreno e altri fattori circostanti possono compromettere l'equilibrio della vostra posizione?

Il blocco della motosega nel taglio e la rottura del tronco da tagliare dipendono da due fattori: il sostegno dato al tronco da tagliare durante e dopo il taglio e l'eventuale tensione a cui è sottoposto.

Quanto sopra può essere evitato eseguendo il taglio in due fasi successive, da sopra e da sotto. Si tratta di neutralizzare la tendenza naturale del tronco a bloccare lama e catena o a rompersi.

IMPORTANTE! Se la motosega si blocca nel taglio: spegnere il motore! Non provare a liberare la motosega scuotendola o tirandola. Potreste ferirvi con la catena. Per liberare la motosega servitevi di una leva.

L'elenco che segue è una descrizione teorica delle situazioni più comuni che l'operatore può essere costretto ad affrontare lavorando con una motosega.

Diramatura

Per la diramatura di rami più spessi valgono gli stessi principi del taglio comune.

Eliminare i rami più difficili successivamente, pezzo per pezzo.

Taglio



AVVERTENZA! Non segare mai tronchi accatastati o vicini fra loro. Queste procedure aumentano sensibilmente il rischio di sobbalzo, provocando gravi lesioni o morte.

Se si dispone di una catasta di tronchi, è necessario prendere un tronco alla volta, sistemarlo su un cavalletto o simile e quindi segarlo.

Rimuovere i pezzi segati dall'area di lavoro. Lasciandoli nell'area di lavoro si corre sia un maggior rischio di sobbalzo involontario, sia il rischio di inciampare e perdere l'equilibrio durante il lavoro.

Il tronco è per terra. Nessun rischio di bloccaggio della catena o di rottura del tronco. Esiste il rischio che la catena vada a colpire il terreno alla conclusione del taglio.

Tagliare dall'alto verso il basso attraverso tutto il tronco. Procedere con cautela alla fine del taglio per evitare che la catena incontri il terreno. Mantenere la massima velocità della catena ma essere pronti ad affrontare eventuali sorprese. **(36)**

Se è possibile (si può girare il tronco?) terminare a 2/3 dello spessore del tronco.

Ruotare il tronco e tagliare la parte rimanente dall'alto verso il basso.

Il tronco appoggia da una parte sola. Rischio elevato di rottura durante il taglio.

Cominciare il taglio dal di sotto (circa 1/3 del diametro). Terminare il taglio dal di sopra andando ad incontrare il taglio già eseguito.

Il tronco appoggia alle due estremità. Rischio elevato che la catena si incastri.

Cominciare il taglio dal di sopra (circa 1/3 del diametro). Terminare il taglio dal di sotto andando ad incontrare il taglio già eseguito.

Tecnica di abbattimento

IMPORTANTE! L'abbattimento di un albero richiede molta esperienza ed è un'operazione che un principiante deve evitare. Non eseguire alcuna operazione per la quale non vi ritenete sufficientemente qualificati!

Distanza di sicurezza

La distanza di sicurezza dall'albero da abbattere è di 2,5 volte l'altezza dell'albero stesso. Osservare che non vi siano nessuno nella zona di pericolo prima e durante l'abbattimento. (37)

Direzione di abbattimento

Scopo dell'abbattimento è di far cadere l'albero nella migliore posizione per la successiva diramatura e il sezionamento del tronco. Dev'essere possibile camminare e sostare senza pericolo.

Dopo aver deciso in quale direzione far cadere l'albero, valutare la direzione naturale di caduta dell'albero.

I fattori decisivi sono:

- L'inclinazione dell'albero
- La sua curvatura
- La direzione del vento
- La concentrazione di rami
- Il peso della neve eventualmente accumulata
- Ostacoli nel raggio di azione dell'albero: per esempio altri alberi, linee elettriche, strade ed edifici.
- Controllare se il tronco presenta danni o segni di decomposizione per i quali l'albero potrebbe cedere e cadere prima del previsto.

Può darsi che risulti necessario far cadere l'albero lungo la sua direzione naturale di caduta, in quanto cercare di farlo cadere in un'altra direzione potrebbe essere impossibile o troppo pericoloso.

Un altro fattore importante da non trascurare, che non influisce sulla direzione di caduta ma che riguarda la vostra sicurezza personale, è la presenza di rami morti o spezzati che potrebbero staccarsi durante l'abbattimento e rappresentare un pericolo.

Evitare che un albero in caduta vada ad impigliarsi in un'altro. Far cadere un albero che si è impigliato è un'operazione molto pericolosa sussiste un grave

pericolo di incidenti. Vedi istruzioni alla voce Movimentazione di un abbattimento mal riuscito.

IMPORTANTE! Durante operazioni di abbattimento critiche, sollevare immediatamente le protezioni acustiche dopo il taglio, in modo da poter percepire rumori insoliti ed eventuali segnali di avvertimento.

Diramatura prima del taglio e percorso di ritirata

Sramare il tronco fino all'altezza delle spalle. La tecnica più sicura è lavorare dall'alto verso il basso, tenendo il tronco fra se stessi e la motosega.

Eliminare la vegetazione bassa intorno all'albero e osservare eventuali ostacoli (pietre, radici, fosse ecc.) in modo da avere un percorso di ritirata senza ostacoli. Il percorso dovrebbe essere a circa 135° all'indietro rispetto alla direzione di caduta del tronco. (38)

- 1 Zona di rischio
- 2 Via di fuga
- 3 Direzione di abbattimento

Abbattimento



AVVERTENZA! Sconsigliamo agli operatori meno esperti di abbattere un albero con una lama più corta del diametro del tronco!

Per l'abbattimento eseguire tre tagli. Prima di tutto il taglio direzionale che si compone di taglio superiore e taglio inferiore, e quindi il taglio di abbattimento. La posizione corretta di questi tre tagli assicura un perfetto controllo della direzione di caduta.

Taglio direzionale

Eeguire prima la parte superiore del taglio direzionale. Stare a destra dell'albero e tagliare con la catena a tirare.

Eeguire poi la parte inferiore del taglio direzionale che deve andare a finire esattamente alla fine della parte superiore. (39)

La profondità del taglio direzionale deve essere di 1/4 del diametro del tronco, con un angolo tra il taglio superiore e quello inferiore di almeno 45°.

L'incontro tra i due tagli è chiamato linea del taglio direzionale. La linea deve essere perfettamente orizzontale e ad angolo retto (90°) rispetto alla direzione di caduta. (40)

Taglio di abbattimento

Sull'altro lato effettuare il taglio di abbattimento, appena al di sopra della linea del taglio direzionale. Stare sulla sinistra dell'albero e tagliare con la catena a tirare.

Posizionare il taglio di abbattimento 3-5 cm (1,5-2") sopra il piano della linea del taglio direzionale.

Inserire l'appoggio per la corteccia dietro il fulcro (se è stato montato l'apposito dispositivo). Lavorare a pieno gas e far avanzare la catena/lama lentamente nel tronco. Controllare che l'albero non si muova in direzione opposta a quella prevista per la caduta. Inserire un cuneo di abbattimento o un grimaldello non appena possibile. (41)

Il taglio di abbattimento deve finire parallelo alla linea del taglio direzionale, con una distanza tra i due di almeno 1/10 del diametro del tronco. La parte di tronco non tagliata è il fulcro.

Il fulcro è la cerniera che guida l'albero nella sua caduta. **(42)**

Se il fulcro è insufficiente, se è stato segato completamente o se il taglio direzionale è male eseguito, non è possibile controllare la caduta dell'albero.

Non appena il taglio direzionale e quello di abbattimento sono completati, l'albero deve cominciare a cadere, da solo o con l'aiuto di un cuneo di abbattimento o di un grimaldello.

Si raccomanda l'utilizzo di una lama di lunghezza superiore al diametro del tronco, in modo che tagli di abbattimento e direzionali possano essere eseguiti in un'unica operazione. Vedere le istruzioni alla sezione Dati tecnici in merito alla lunghezza della lama raccomandata per la motosega.

Vi sono metodi per abbattere alberi con lame più corte del diametro del tronco. Questi metodi aumentano però in modo considerevole il rischio di contraccollo.

Movimentazione di un abbattimento mai riuscito

Abbattimento di un albero impigliatosi in un altro.

Far cadere un albero che si è impigliato è un'operazione molto pericolosa sussiste un grave pericolo di incidenti.

Non segare mai un albero su cui sia caduto un altro albero.

Non lavorare mai nell'area di pericolo intorno ad alberi semicaduti e rimasti in sospeso.

Il metodo più sicuro è di usare un argano.

- Montato sul trattore
- Manuale

Taglio di tronchi e rami in tensione

Preparativi: Giudicare verso quale direzione tende a muoversi la tensione e dove si trova il punto di rottura (vale a dire il punto dove si romperebbe se aumentasse la tensione).

Valutare come alleggerire la tensione e se pensate di riuscirci. In casi più complessi la soluzione migliore è di rinunciare al taglio e di lavorare con un argano.

In generale:

Mettetevi in modo tale da non essere colpiti dall'albero/ramo quando si libera dalla tensione.

Eseguire uno o più tagli su o in prossimità del punto di rottura. I tagli devono essere di profondità tale da liberare la tensione e ottenere la rottura proprio nel punto di rottura.

Non tagliare mai completamente un ramo o un tronco in tensione!

Se è necessario praticare un taglio passante nell'albero/ramo, eseguire due o tre tagli di profondità di 3-5 cm a intervalli di 3 cm.

Praticare tagli sempre più profondi finché non si allenta la tensione dell'albero/ramo.

Segare l'albero/ramo dal lato opposto, dopo aver tolto la tensione.

Prevenzione del contraccollo



AVVERTENZA! Il contraccollo è un fenomeno improvviso e violento che fa impennare motosega, lama e catena contro l'operatore. Se la catena è in movimento e colpisce l'operatore può provocare lesioni anche mortali. È importante capire come si verifica il contraccollo e come sia possibile evitarlo con una corretta tecnica di lavoro e un'adeguata prudenza.

Che cos'è il contraccollo?

Il contraccollo è un movimento violento che fa impennare la motosega e la lama verso l'operatore, quando la lama incontra un oggetto con la parte superiore della punta, il settore a rischio di contraccollo. **(43)**

Il contraccollo avviene sempre lungo il piano di taglio della lama. Di solito il movimento di motosega e lama è verso l'alto e verso l'operatore. Possono tuttavia verificarsi altre situazioni a seconda della posizione della motosega nel momento in cui il settore a rischio viene a contatto con un corpo estraneo.

Il contraccollo può verificarsi solo quando il settore "a rischio" della lama incontra un oggetto. **(44)**

Diramatura



AVVERTENZA! La maggioranza degli incidenti per sobbalzo si verifica durante la diramatura. Non utilizzare il settore a rischio di sobbalzo della lama. Prestare la massima cautela ed evitare che la punta della lama venga a contatto con tronco, altri rami o corpi estranei. Prestare la massima cautela a rami in tensione. Possono rimbalzare in direzione dell'utente, provocando la perdita del controllo della macchina e gravi danni.

Accertarsi di avere una posizione stabile! Lavorare dal lato sinistro del tronco, con il corpo vicino alla motosega. Non appena possibile appoggiare tutto il peso del corpo al tronco.

Spostarsi solo con il tronco tra voi e la motosega.

Taglio di un tronco in sezioni

Vedi istruzioni alla voce Tecnica basilare di taglio.

Generalità

L'utilizzatore può eseguire solo le operazioni di manutenzione e assistenza descritte in questo manuale delle istruzioni. Per operazioni di maggiore entità rivolgersi ad un'officina autorizzata.

Regolazione del carburatore

Il vostro prodotto Jonsered è stato fabbricato e prodotto in base a norme che permettono di ridurre le emissioni di scarico dannose.

Funzionamento

- Attraverso l'acceleratore, il carburatore regola il regime del motore. La miscela aria/benzina avviene nel carburatore. Tale miscela è regolabile. Per poter sfruttare al meglio la potenza della macchina, la regolazione del carburatore deve essere corretta.
- La vite T regola la posizione dell'acceleratore al minimo. Avvitando in senso orario il regime del minimo si alza, mentre agendo in senso antiorario il regime di giri del motore al minimo si abbassa.

Regolazione primaria del carburatore e rodaggio

Il carburatore è messo a punto al collaudo in fabbrica. La registrazione definitiva dev'essere eseguita da una persona competente.

Regime consigliato con motore al minimo: Vedi istruzioni alla voce Caratteristiche tecniche.

Regolazione finale del minimo T

La regolazione del minimo viene eseguita con la vite T. Se necessario, avvitare la vite T in senso orario e a motore in moto fino a quando la catena comincia a girare. Svitare poi in senso antiorario fino a che la catena non si fermi. Il minimo è correttamente regolato quando il motore gira regolarmente in ogni posizione e con buon marginale prima che la catena cominci a girare.



AVVERTENZA! Se il minimo non può essere regolato in modo da avere la catena ferma contattare l'officina per l'assistenza. Non usare la motosega prima di aver eseguito le necessarie riparazioni.

Controllo, manutenzione e servizio dei dispositivi di sicurezza della motosega

Observare! Per l'assistenza e la riparazione della macchina occorre una formazione specifica. Quanto detto vale in particolare per i dispositivi di sicurezza della macchina. Se la macchina non supera anche uno solo dei seguenti controlli, si raccomanda di rivolgersi al centro di assistenza. Tutta la manutenzione e gli interventi non previsti nel presente manuale devono essere eseguiti da personale specializzato (il rivenditore).

Spegner il motore e staccare il cavo della candela prima di riparazioni o manutenzione

Freno della catena con protezione antictraccolpo

Controllo dell'usura del nastro del freno

Pulire il freno e il tamburo della frizione eliminando segatura, resina e sporco. Lo sporco e l'usura influiscono sul funzionamento del freno. (45)

Controllare con regolarità che la fascia frenante abbia almeno uno spessore di 0,6 mm nel punto di maggiore usura.

Controllo della protezione antictraccolpo

Controllare che la protezione sia integra e senza difetti evidenti, come lesioni del materiale.

Spostare la protezione avanti e indietro per verificare che si muova liberamente e che sia ben ancorata nel coperchio della frizione. (46)

Controllo dell'automatismo ad inerzia

Tenere la motosega, a motore spento, su un ceppo o altro oggetto stabile. Rilasciare l'impugnatura anteriore e lasciare cadere la motosega per gravità, in rotazione attorno all'impugnatura posteriore, in direzione del ceppo.

La punta della lama battendo contro il ceppo deve far scattare il freno della catena. (47)

Controllo dell'effetto frenante

Mettere in moto e appoggiare la motosega su una base stabile. Evitare che la catena venga a contatto con il terreno o con corpi estranei. Vedi indicazioni alla voce Avviamento e arresto.

Reggere l'impugnatura con entrambe le mani, secondo quanto indicato in figura.

Accelerare al massimo e attivare il freno della catena girando il polso sinistro verso la protezione antictraccolpo. Non lasciare l'impugnatura anteriore.

La catena deve bloccarsi immediatamente.

Fermo del gas

- Controllare che l'acceleratore sia bloccato sul minimo quando il fermo è in posizione di riposo.
- Premere sul fermo del gas e controllare che ritorni in posizione di riposo non appena viene rilasciato.
- Controllare che acceleratore e fermo del gas si muovano liberamente e che le molle di richiamo funzionino a dovere.

- Mettere in moto e accelerare al massimo. Rilasciare l'acceleratore e controllare che la catena si fermi e rimanga ferma. Se la catena si muove con l'acceleratore al minimo controllare la regolazione del minimo del carburatore.

Fermo della catena

Controllare che il fermo della catena sia integro e ben montato nel corpo della motosega.

Protezione della mano destra

Controllare che la protezione della mano destra sia integra e senza difetti apparenti, quali lesioni del materiale.

Sistema di smorzamento delle vibrazioni

Controllare con regolarità che gli smorzatori non siano deformati o lesi.

Controllare che gli smorzatori siano correttamente ancorati tra gruppo motore e gruppo impugnatura.

Interruttore di arresto

Mettere in moto e controllare che il motore si spenga portando l'interruttore in posizione di arresto.

Marmitta

Non usare mai la macchina se la marmitta è in cattive condizioni. Controllare con regolarità che la marmitta sia ben fissa nella macchina.

Osservare: La rete parascintille (A) di questa macchina è sostituibile. **(48)** Se la retina è danneggiata, va sostituita immediatamente. Se la retina è ostruita la macchina si surriscalda, danneggiando cilindro e pistone. Non usare la macchina se la marmitta è in cattive condizioni. **Non usare mai una marmitta con la retina danneggiata o senza retina.**

Generalmente, in caso di uso privato, non occorre sostituire la marmitta e la rete parascintille.

Filtro dell'aria

Pulire regolarmente il filtro dell'aria per evitare :

- Disturbi di carburazione
- Problemi di messa in moto
- Riduzione della potenza sviluppata
- Inutile usura dei componenti del motore
- Consumi più elevati.
- Rimuovere il carter del cilindro, la vite (1) e il carter del filtro dell'aria (2), quindi smontare il filtro dell'aria (3). In sede di montaggio, verificare che il filtro dell'aria sia perfettamente a tenuta sul portafiltro. Pulire il filtro scuotendolo o spazzolandolo. **(49)**

Per una pulizia più accurata lavare il filtro in acqua saponata.

Il filtro non ritorna mai completamente pulito. Pertanto va sostituito periodicamente con uno nuovo. **Un filtro danneggiato va sostituito immediatamente.**

Candela

Lo stato della candela dipende da:

- Carburatore non tarato.
- Miscela carburante/olio non corretta (quantità eccessiva di olio oppure olio non idoneo).
- Filtro dell'aria ostruito .

Questi fattori causano depositi sull'elettrodo della candela, e conseguenti disturbi di funzionamento e di messa in moto.

Se la macchina ha potenza insoddisfacente, difficoltà di messa in moto o il minimo irregolare, controllare innanzitutto la candela. Se questa è incrostata, pulirla e controllare la distanza tra gli elettrodi, che deve essere 0,5 mm. La candela andrebbe cambiata di regola dopo circa un mese di esercizio o prima se necessario. **(50)**

Osservare! Usare candele originali o di tipo raccomandato! Altre candele possono danneggiare cilindro e pistone. Controllare che la candela sia munita di dispositivo di soppressione interferenze radio.

Schema di manutenzione

Qui di seguito troverete una lista delle operazioni di manutenzione da eseguire sulla macchina. La maggior parte dei punti è descritta al capitolo Manutenzione.

Manutenzione giornaliera (Ogni 5-10 ore)	Manutenzione settimanale (Ogni 10-25 ore)	Manutenzione mensile (Ogni 25-40 ore)
Pulire le parti esterne della macchina.	Controllare il dispositivo di avviamento, la relativa cordicella e la molla di ritorno.	Controllare l'usura del nastro del freno della catena. Sostituire quando il punto più usurato presenta uno spessore inferiore a 0,6 mm.
Controllare che i componenti del comando del gas funzionino in modo sicuro (fermo del gas e acceleratore).	Controllare l'integrità degli smorzatori di vibrazioni.	Controllare l'usura del centro, della molla e del tamburo della frizione.
Pulire il freno della catena e controllarne il funzionamento dal punto di vista della sicurezza. Controllare che il fermo della catena sia integro e sostituire se necessario.	Limare eventuali irregolarità sui lati della lama.	Pulire la candela. Controllare che l'elettrodo abbia una distanza di 0,5 mm.
Girare la lama giornalmente per ottenere un'usura uniforme. Controllare che il foro per la lubrificazione della lama sia libero. Pulire la guida della catena. Se la lama è dotata di ruota di rinvio terminale, pulirla e lubrificarla.	Pulire la zona del carburatore.	Pulire esternamente il carburatore.
Controllare che lama e catena siano sufficientemente lubrificate.	Pulire il filtro dell'aria. Sostituire se necessario.	Controllare il filtro del carburante e il tubo di alimentazione. Sostituire se necessario.
Controllare se rivetti e anelli della catena presentano crepe superficiali, se la catena è rigida oppure se rivetti e anelli sono usurati in modo anomalo. Sostituire all'occorrenza.		Svuotare e pulire internamente il serbatoio del carburante.
Affilare la catena e controllarne lo stato e la tensione. Controllare che la ruota motrice della catena non sia particolarmente consumata, sostituire se necessario.		Svuotare e pulire internamente il serbatoio dell'olio.
Pulire la presa d'aria del dispositivo di avviamento.		Controllare tutti i cavi e i collegamenti.
Controllare che dadi e viti siano ben serrati.		
Controllare che l'interruttore d'arresto funzioni.		
Controllare che non ci siano perdite di carburante nel motore, nel serbatoio o nei flessibili carburante.		

Caratteristiche tecniche

	CS 2234	CS 2238
Motore		
Cilindrata, cm ³	38	38
Corsa, mm	32	32
Regime del motore al minimo, giri/min	3000	3000
Potenza, KW	1,4/9000	1,5/9000
Sistema di accensione		
Candela	Champion RCJ 7Y	Champion RCJ 7Y
Distanza all'elettrodo, mm	0,5	0,5
Carburante, lubrificazione		
Capacità serbatoio carburante, litri	0,3	0,3
Capacità pompa dell'olio a 8500 giri/min, ml/min	7	7
Capacità serbatoio olio, litri	0,19	0,19
Tipo di pompa dell'olio	Automatico	Automatico
Peso		
Motosega senza lama e catena, a secco, kg	4,7	4,7
Emissioni di rumore (vedi nota 1)		
Livello potenza acustica, misurato dB(A)	115	115
Livello potenza acustica, garantito L _{WA} dB(A)	118	118
Livelli di rumorosità (vedi nota 2)		
Livello di pressione acustica equivalente, all'udito dell'utente, dB(A)	100,6	100,6
Livelli equivalenti di vibrazione, a_{hveq} (vedi nota 3)		
Impugnatura anteriore, m/s ²	3,7	3,7
Impugnatura posteriore, m/s ²	5,1	5,1
Lama/catena		
Lama di lunghezza standard, pollici/cm	14/35, 16/40	14/35, 16/40
Lunghezze raccomandate della lama, pollici/cm	14/35, 16/40	14/35, 16/40
Lunghezza di taglio effettiva, pollici/cm	13,5/34, 15,5/39	13,5/34, 15,5/39
Partitura, pollici/mm	3/8 / 9,52	3/8 / 9,52
Spessore della maglia di trazione, pollici/mm	0,050/1,3	0,050/1,3
Tipo di puleggia/numero di denti	6	6
Velocità della catena alla potenza massima, m/secondo	17,1	17,1

Nota 1: Emissione di rumore nell'ambiente misurato come potenza acustica (L_{WA}) in base alla direttiva CE 2000/14/CE.


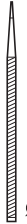
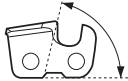
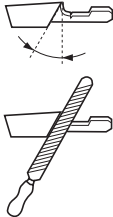

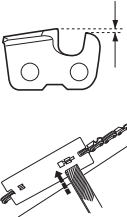
Nota 2: il livello di pressione acustica equivalente, ai sensi della norma ISO 22868, è calcolato come la quantità di energia, in media ponderata rispetto al tempo, dei livelli di pressione acustica a diverse condizioni di esercizio. La dispersione statistica tipica del livello di pressione acustica equivalente è una deviazione standard di 1 dB (A).

Nota 3: il livello di vibrazioni equivalente, ai sensi della norma ISO 22867, è calcolato come la quantità di energia, in media ponderata rispetto al tempo, dei livelli di vibrazione a diverse condizioni di esercizio. I dati riportati per il livello di vibrazione equivalente hanno una dispersione statistica tipica (deviazione standard) di 1 m/s².

Combinazioni di lama e catena

I seguenti gruppi di taglio sono approvati per i modelli Jonsered CS 2234 e CS 2238.

Lama				Catena	
Lunghezza, pollici	Partitura, pollici	Larghezza della scanalatura, mm	Numero max di denti Num puntale a rochetto	Tipo	Lunghezza dei giunti di azionamento (pz)
14	3/8	1,3	7T	Jonsered H37	52
16	3/8		7T		56
18	3/8		7T		62

					
	inch/mm				inch/mm
H37	5/32/4,0	80°	30°	0°	0.025/0,65

Dichiarazione di conformità CE

(Solo per l'Europa)

La Husqvarna, SE-561 82 Huskvarna, Svezia, tel.: +46-36-146500, dichiara con la presente che le motoseghe **Jonsered CS 2234 e CS 2238** a partire dai numeri di serie del 2009 (l'anno viene evidenziato nel marchio di fabbrica ed è seguito da un numero di serie) sono conformi alle disposizioni della DIRETTIVA DEL CONSIGLIO:

- del 17 maggio 2006 "sulle macchine" **2006/42/CE**.
- del 15 dicembre 2004 "sulla compatibilità elettromagnetica" **2004/108/CE**.
- dell'8 maggio 2000 "sull'emissione di rumore nell'ambiente" **2000/14/CE**.

Per informazioni relative alle emissioni di rumore, vedi capitolo Dati tecnici. Sono state applicate le seguenti norme: **EN ISO 12100-2:2003, CISPR 12:2001, EN ISO 11681-1:2004**

Organo competente: **0404, l'SMP Svensk Maskinprovning AB**, Fyrisborgsgatan 3, SE-754 50 Uppsala, Svezia, ha eseguito il controllo-tipo CE in base alla direttiva sulle macchine (2006/42/CE) articolo 12, punto 3b. Il certificato-tipo CE in base all'allegato IX, portano i numero: **0404/09/2048**.

Inoltre l'SMP, svensk Maskinprovning AB, Fyrisborgsgatan 3, SE-754 50 Uppsala, Svezia, ha confermato la dichiarazione di conformità all'allegato V della direttiva del consiglio dell'8 maggio 2000 "sull'emissione di rumore nell'ambiente" 2000/14/CE. I certificati portano il numero: **26/161/003** - CS 2234, **26/161/004** - CS 2238.

La motosega consegnata è conforme all'esemplare sottoposto al controllo-tipo CE.

Huskvarna, 29 dicembre 2009



Ronnie E. Goldman, Direttore tecnico. (Rappresentante autorizzato per Husqvarna AB e responsabile della documentazione tecnica).

Prezado cliente!

Parabéns pela sua preferência na compra de um produto!

Estamos convencidos de que será com satisfação que apreciará a qualidade e desempenho dos nossos produtos durante muito tempo no futuro. A compra de qualquer dos nossos produtos dá-lhe acesso a ajuda profissional com reparações e assistência técnica, na eventualidade de, apesar de tudo, acontecer qualquer coisa. No caso do local de compra da máquina não ter sido nenhum dos nossos revendedores autorizados, pergunte-lhes aonde fica a oficina especializada mais próxima.

Esperamos que ficará satisfeito com a sua nova máquina e que ela o acompanhará durante muito tempo. Lembre-se de que estas instruções de utilização são um documento valioso. Seguindo o seu conteúdo (utilização, assistência técnica, manutenção, etc) aumentará consideravelmente a vida útil da máquina bem como o preço de venda em segunda mão da mesma. Se vender a sua máquina, entregue as instruções de utilização ao novo proprietário.

Boa sorte com a utilização do seu produto Jonsered!

Jonsered efectua o desenvolvimento contínuo dos seus produtos, reservando-se o direito de introduzir modificações referentes, entre outros, ao aspecto e forma dos mesmos sem aviso prévio.

Símbolos na máquina:

ATENÇÃO! Moto-serras podem ser perigosas! O uso indevido ou incorrecto poderá causar sérios ferimentos ou até mesmo a morte do utilizador ou outras pessoas.

Leia as instruções para o uso com toda a atenção e compreenda o seu conteúdo antes de fazer uso da máquina.

Use sempre:

- Capacete protector aprovado
- Protectores acústicos aprovados
- Óculos ou viseira de protecção

Este produto está conforme as directivas em validade da CE.

Emissões sonoras para o meio ambiente conforme directiva da Comunidade Europeia. A emissão da máquina é indicada no capítulo Especificações técnicas e no autocolante.

As duas mãos do operador têm de ser utilizadas para operar a moto-serra.

Nunca opere a moto-serra pegando nela apenas com uma mão.

Deve evitar-se que a ponta da lâmina toque em qualquer objecto.

ATENÇÃO! Quando a ponta da lâmina entra em contacto com um objecto, pode causar uma reacção de retrocesso, em que a lâmina é atirada para cima e para trás, contra o utilizador. Isso pode causar graves ferimentos.

Travão da corrente, activado (esquerda) Travão da corrente, não activado (direita)



Os restantes símbolos e autocolantes existentes na máquina dizem respeito a exigências específicas para homologação em alguns países.

Como se chama, na moto-serra? (1)

- 1 Autocolante de informação e aviso
- 2 Cobertura do cilindro
- 3 Bomba de combustível
- 4 Pega do arranque
- 5 Estrangulador/Bloqueio da aceleração de arranque
- 6 Contacto de paragem (Ligar/desligar a ignição.)
- 7 Punho traseiro
- 8 Depósito de combustível
- 9 Parafusos de afinação carburador
- 10 Dispositivo de arranque
- 11 Depósito de óleo da corrente
- 12 Placa de tipo e número de série
- 13 Bloqueio de acelerador (Evita acelerações involuntárias.)
- 14 Punho dianteiro
- 15 Protecção anti-retrocesso
- 16 Silenciador
- 17 Lâmina
- 18 Roleto
- 19 Corrente
- 20 Apoio para casca
- 21 Retentor de corrente
- 22 Parafuso esticador da corrente
- 23 Cobertura do acoplamento
- 24 Punho traseiro com protecção para a mão direita
- 25 Acelerador
- 26 Instruções para o uso
- 27 Chave universal
- 28 Protector de lâmina

Índice

INTRODUÇÃO

Prezado cliente!	144
Símbolos na máquina:	144
Como se chama, na moto-serra?	145

ÍNDICE

Índice	145
--------------	-----

INTRUÇÕES GERAIS DE SEGURANÇA

Precauções antes de usar a nova moto-serra	146
Importante	146
Use sempre o seu bom senso	146
Equipamento de protecção pessoal	147
Equipamento de segurança da máquina	147
Equipamento de corte	149

MONTAGEM

Montagem da lâmina e corrente	152
-------------------------------------	-----

MANEJO DE COMBUSTÍVEL

Combustível	153
Abastecimento	153
Segurança no manejo de combustível	154

ARRANQUE E PARAGEM

Arranque e paragem	154
--------------------------	-----

TÉCNICA DE TRABALHO

Sempre, antes de usar:	155
Instruções gerais de trabalho	155
Medidas de prevenção contra retrocessos	159

MANUTENÇÃO

Noções gerais	159
Afinação do carburador	160
Controlo, manutenção e assistência ao equipamento de segurança da moto-serra	160
Silenciador	161
Filtro de ar	161
Vela de ignição	161
Esquema de manutenção	162

ESPECIFICAÇÕES TÉCNICAS

Especificações técnicas	163
Combinações de lâmina e corrente	164
Certificado CE de conformidade	164

Precauções antes de usar a nova moto-serra

- Leia atentamente as instruções para o uso.
- **(1) - (50)** refere a ilustrações na página 2-5.
- Controle a montagem e o ajuste do equipamento de corte. Ver as instruções na secção Montagem,
- Abastecer combustível e pôr a motosserra a funcionar. Ver instruções nas secções Manuseamento de combustível e Arranque e paragem.
- Não use a moto-serra antes de haver penetrado suficiente óleo lubrificante na corrente. Ver as instruções na secção Lubrificação do equipamento de corte.
- A exposição prolongada a ruídos pode provocar danos auditivos permanentes. Por isso, use sempre protectores acústicos aprovados.



ATENÇÃO! Sob nenhuma circunstância é permitido modificar a configuração original da máquina sem a autorização expressa do fabricante. Devem usar-se sempre acessórios originais. Modificações e/ou acessórios não autorizados podem acarretar em sérias lesões ou perigo de vida para o utilizador ou outros.



ATENÇÃO! Uma moto-serra usada inadvertida ou erradamente pode transformar-se numa ferramenta perigosa, causando sérias lesões, até mesmo mortais. É muito importante que você leia e compreenda o conteúdo destas instruções para o uso.



ATENÇÃO! O interior do silenciador contém produtos químicos potencialmente cancerígenos. Evite o contacto directo com esses produtos se tiver um silenciador danificado.



ATENÇÃO! A inspiração prolongada dos gases de escape do motor, de névoa do óleo da corrente ou de serrim pode ser um risco para a saúde.



ATENÇÃO! Esta máquina produz um campo electromagnético durante o funcionamento. Em determinadas circunstâncias, este campo pode interferir com o funcionamento de implantes médicos activos ou passivos. Para reduzir o risco de lesões graves ou mortais, recomendamos que portadores de dispositivos implantados consultem o seu médico e o fabricante do implante antes de utilizar a máquina.

Importante

IMPORTANTE!

A máquina está projectada para cortar apenas madeira. Só deverão ser usadas as combinações de lâmina/corrente por nós recomendadas no capítulo Especificações técnicas.

Nunca use a máquina quando estiver cansado, tiver bebido álcool ou tomado remédios que possam afectar a sua vista, a sua capacidade de discernimento ou o seu controlo físico.

Use equipamento de protecção pessoal. Ver as instruções na secção Equipamento de protecção pessoal.

Não modifique nunca esta máquina de forma a deixar de corresponder à versão original e não a use caso pareça ter sido modificada por outros.

Nunca use uma máquina defeituosa. Siga as instruções de manutenção, controlo e assistência técnica destas instruções para o uso. Alguns serviços de manutenção e de assistência técnica deverão ser executados por especialistas qualificados. Ver as instruções na secção Manutenção.

Nunca use outros acessórios além dos recomendados nestas instruções para o uso. Ver as instruções nas secções Equipamento de corte e Especificações técnicas.

NOTA! Use sempre óculos de protecção ou viseira para reduzir o risco de danos causados por objectos arremessados. Uma motosserra pode projectar objectos, tais como serradura, pequenos pedaços de madeira etc. com muita força. Isso pode causar ferimentos graves, especialmente nos olhos.



ATENÇÃO! A utilização dum motor em ambiente fechado ou mal ventilado pode causar a morte por asfixia ou envenenamento por gás carbónico.



ATENÇÃO! Um equipamento de corte defeituoso ou uma combinação lâmina/corrente incorrecta, aumentam o perigo de retrocesso! Use apenas as combinações lâmina/corrente por nós recomendadas e siga as instruções de afiação. Consulte as instruções na secção Especificações técnicas.

Use sempre o seu bom senso (2)

É impossível cobrir todas as possíveis situações que se lhe podem deparar ao usar uma motosserra. Por isso, tenha cuidado e use o seu bom senso. Evite todas as situações para as quais se sinta insuficientemente capacitado! Se após ter lido estas instruções ainda se sentir inseguro quanto ao modo de proceder, aconselhe-se com um especialista antes de prosseguir. No caso de ter dúvidas sobre a forma de utilizar a motosserra, não hesite em entrar em contacto com o seu revendedor ou connosco. Estamos ao seu dispor e dar-lhe-emos conselhos que o ajudarão a usar a sua motosserra de uma forma melhor e mais segura. Considere frequentar um curso de silvicultura. O seu revendedor, escola de

silvicultura ou a sua biblioteca poderão informá-lo sobre o material de instrução e cursos disponíveis. Decorre um trabalho constante para aperfeiçoar o design e a técnica, melhoramentos esses que aumentam a sua segurança e eficiência. Visite regularmente o seu revendedor para ver que proveito pode tirar das novidades lançadas.

Equipamento de protecção pessoal



ATENÇÃO! A maioria dos acidentes com moto-serras ocorrem quando a corrente da serra atinge o utilizador. Em quaisquer circunstâncias de utilização da máquina deve ser utilizado equipamento de protecção pessoal aprovado. O equipamento de protecção pessoal não elimina o risco de lesão mas reduz os seus efeitos em caso de acidente. Consulte o seu concessionário na escolha do equipamento.

- Capacete protector aprovado
- Protectores acústicos
- Óculos ou viseira de protecção
- Luvas com protecção anti-serra
- Calças com protecção contra serra
- Botas com protecção anti-serra, biqueira de aço e sola anti-deslizante
- Os primeiros socorros devem sempre estar à mão.
- Extintor de incêndios e pá

As roupas de um modo geral devem assentar bem e não limitar a sua liberdade de movimentos.

IMPORTANTE! O silenciador, a lâmina e a corrente ou qualquer outra fonte podem emitir chispas. Tenha sempre utensílios de extinção de incêndios à mão, para o caso de serem necessários. Desse modo contribuirá para impedir incêndios florestais.

Equipamento de segurança da máquina

Nesta secção são apresentados os componentes de segurança da máquina e explicadas as respectivas funções. Para inspecção, manutenção e serviço, consultar as instruções na secção Inspecção, manutenção e serviço do equipamento de segurança da motosserra. Veja as indicações na secção Como se chama?, para localizar esses componentes na sua máquina.

A duração da máquina pode ser afectada e o perigo de acidentes pode aumentar se a manutenção da máquina não for correcta e se as revisões e reparações não forem executadas de forma profissional. Se necessitar de mais esclarecimentos, entre em contacto com uma oficina autorizada.



ATENÇÃO! Nunca use uma máquina com equipamento de segurança defeituoso. O equipamento de segurança deve ser verificado e mantido em bom estado. Veja instruções na secção Inspecção, manutenção e serviço do equipamento de segurança da motosserra. Se a sua máquina não cumprir todos os pontos de verificação, deverá ser enviada a uma oficina para reparação.

Travão de corrente com protector anti-retrocesso

A sua motosserra está equipada com travão de corrente, o qual está projectado para parar a corrente em caso de retrocesso. O travão da corrente reduz o risco de acidentes, mas só Você como utilizador o poderá evitar. Tenha cuidado ao usar e controle para que o sector de risco de retrocesso da lâmina nunca entre em contacto com algum objecto.

- O travão da corrente é activado, ou manualmente (com a mão esquerda) ou pela função de inércia. **(3)**
- A activação ocorre quando o protector anti-retrocesso (B) é impulsionado para a frente. **(3)**
- Este movimento activa um mecanismo de mola que comprime a cinta de travagem (C) à volta do sistema de propulsão da corrente (D) (tambor de fricção). **(4)**
- O protector anti-retrocesso não é somente construído para activar o travão de corrente. Uma outra função muito importante é a de reduzir o risco de que a mão esquerda seja atingida pela corrente, caso não consiga fixar-se no punho dianteiro.
- O travão da corrente deve estar aplicado quando se dá o arranque à motosserra, para impedir que a corrente rode.
- Use o travão da corrente como 'travão de estacionamento' durante o arranque e ao deslocar-se por distâncias curtas, para impedir acidentes em que o utilizador ou circundantes entrem em contacto involuntário com a corrente da serra em movimento.
- O travão de corrente é libertado movendo-se o protector anti-retrocesso para trás, em direcção ao punho dianteiro.
- Os retrocessos podem ocorrer subitamente e ser muito violentos. A maior parte dos retrocessos é pequena e nem sempre activa o travão de corrente. No caso de tais retrocessos é importante segurar a moto-serra bem firme sem a soltar.
- O que determina como o travão de corrente é accionado, manualmente ou por inércia, é a violência do retrocesso e também a posição da moto-serra em relação ao objecto com o qual o sector de risco de retrocesso da lâmina entrou em contacto.
Na ocorrência de retrocessos violentos ou quando o sector de risco de retrocesso se encontra o mais longe possível do utilizador, o travão da corrente está construído de modo a ser activado através do contrapeso do travão (inércia) na direcção do retrocesso.

Em casos de retrocessos menos violentos ou durante situações de trabalho onde o sector de risco de retrocesso se encontra próximo ao utilizador, activa-se o travão de corrente manualmente através da mão esquerda.

- Na posição de abate, a mão esquerda está numa posição que impossibilita a activação manual do travão. Nesta forma de segurar, ou seja, quando a mão esquerda está colocada de forma que não pode influenciar o movimento da protecção contra retrocesso, o travão da corrente só pode ser activado através da função de inércia.

A minha mão activará sempre o travão da corrente na ocorrência de um retrocesso?

Não. É necessária uma certa força para empurrar para a frente a protecção anti-retrocesso. Se a sua mão apenas tocar ligeiramente na protecção anti-retrocesso ou resvalar por cima da mesma, pode a força não ser suficiente para fazer disparar o travão da corrente. Durante o trabalho, você deve agarrar a motosserra firmemente pelos punhos. Se o fizer e ocorrer um retrocesso, a sua mão talvez não chegue nunca a soltar o punho dianteiro e não activará o travão da corrente, ou então o travão só é activado após a serra ter girado uma distância considerável. Neste tipo de situação, pode acontecer que o travão não tenha tempo de fazer parar a corrente antes dela lhe tocar.

Existem também certas posições de trabalho que fazem com que a sua mão não alcance a protecção anti-retrocesso para activar o travão; por exemplo quando a serra é empunhada na posição de abate.

A activação do travão da corrente por inércia funcionará sempre na ocorrência de um retrocesso?

Não. Em primeiro lugar o travão tem que estar em boas condições de funcionamento. Testar o travão é fácil; veja as instruções na secção Inspeção, manutenção e serviço do equipamento de segurança da motosserra. Recomendamos que o faça antes de começar cada turno de trabalho. Em segundo lugar o retrocesso tem que ser suficientemente forte para activar o travão da corrente. Se o travão da corrente fosse demasiado sensível, seria activado constantemente estorvando o trabalho.

O travão da corrente proteger-me-á sempre de ferimentos na ocorrência de um retrocesso?

Não. Em primeiro lugar o travão tem que estar em bom estado de funcionamento para proporcionar a protecção prevista. Em segundo lugar tem que ser activado como descrito acima para parar a corrente na ocorrência de um retrocesso. Em terceiro lugar, o travão da corrente pode ser activado, mas se a lâmina se encontrar muito perto de si, pode acontecer que o travão não tenha tempo de abrandar e fazer parar a corrente antes da motosserra lhe acertar.

Só você mesmo, com uma técnica de trabalho correcta, poderá eliminar os retrocessos e os perigos inerentes aos mesmos.

Bloqueio do acelerador

O bloqueio do acelerador tem como função impedir a activação involuntária do acelerador. Quando o bloqueio (A) é apertado no punho (= quando se agarra o punho), o acelerador (B) é libertado. Quando se solta o punho, tanto o acelerador como o bloqueio do acelerador retornam às suas posições originais. Nesta posição o acelerador fica bloqueado na marcha em vazio. (5)

Retentor de corrente

O retentor de corrente é construído para captar a corrente se esta saltar ou se romper. Geralmente, estas ocorrências são evitadas por uma tensão de corrente correcta (ver as instruções na secção Montagem), bem como por manutenção e assistência adequadas à lâmina e corrente (ver as instruções na secção Instruções gerais de trabalho).

Protector da mão direita

O protector da mão direita deverá, além de proteger a mão se a corrente saltar ou se romper, evitar que galhos e ramos interfiram na operação do punho traseiro.

Sistema anti-vibração

A máquina está equipada com um sistema de amortecimento de vibrações, construído de forma a propiciar uma utilização tão confortável e isenta de vibrações quanto possível.

O sistema de amortecimento de vibrações da máquina reduz a transmissão das vibrações entre a parte do motor/equipamento de corte e a parte dos punhos. O corpo da moto-serra, inclusive o equipamento de corte, está suspenso pela parte dos punhos por meio de elementos anti-vibração.

Serrar um tipo de madeira duro (geralmente árvores de folhas caducas) provoca vibrações maiores do que serrar um tipo macio (geralmente coníferas). Serrar com um equipamento de corte não afiado ou errado (tipo errado ou erradamente afiado), aumenta o nível de vibrações.



ATENÇÃO! A sobreexposição a vibrações pode causar lesões cardiovasculares e nervosas a pessoas com problemas de circulação sanguínea. No caso de sentir sintomas físicos que o façam suspeitar de sobreexposição a vibrações, consulte um médico. Estes sintomas podem manifestar-se como torpor, ausência de sensibilidade, 'cócegas', 'picadelas', dor, falta ou redução de força normal, alterações de cor da pele ou da sua superfície. Estes sintomas manifestam-se normalmente nos dedos, nas mãos e nos punhos. Estes sintomas são mais evidentes a temperaturas baixas.

Contacto de paragem

O contacto de paragem é usado para desligar o motor.

Silenciador

O silenciador está projectado para reduzir o nível sonoro e afastar os gases de escape do utilizador.



ATENÇÃO! Os gases de escape do motor são quentes e podem conter faíscas causadoras de incêndios. Portanto, nunca arranque com a máquina em interiores ou nas proximidades de material inflamável!

Em zonas geográficas com clima seco, o perigo de incêndio é maior. Nessas zonas por vezes há regulamentos que exigem que o silenciador esteja equipado com, entre outras coisas, rede retentora de faíscas aprovada (A). (6)

NOTA! O silenciador fica muito quente tanto durante o funcionamento como após se desligar a máquina. Isto aplica-se também quando a motosserra na marcha em vazio. Esteja consciente do perigo de incêndio, especialmente ao manusear substâncias inflamáveis e/ou gases.



ATENÇÃO! Nunca use uma motosserra sem silenciador ou com o silenciador defeituoso. Um silenciador defeituoso pode aumentar consideravelmente o nível de ruído e o perigo de incêndio. Tenha à mão utensílios para extinção de incêndios. Se no seu local de trabalho for obrigatório o uso de rede retentora de faíscas, nunca use uma motosserra sem rede retentora de faíscas ou com a mesma defeituosa.

Equipamento de corte

Esta secção mostra como você, através de uma correcta manutenção e uso do equipamento de corte correcto, poderá:

- Reduzir as tendências da máquina a retrocesso.
- Reduz a ocorrência de saltos e ruptura da corrente.
- Obtém o melhor rendimento de corte.
- Aumentar a vida útil do equipamento de corte.
- Evita o aumento de níveis de vibração.

Regras básicas

- **Use somente o equipamento de corte por nós recomendado!** Consulte as instruções na secção Especificações técnicas.
- **Mantenha os dentes de corte da corrente bem e correctamente afiados! Siga as nossas instruções e use o calibre de abertura de lima recomendado.** Uma corrente mal afiada ou danificada aumenta os riscos de acidente.
- **Mantenha a abertura de corte correcta! Siga as nossas instruções e use a matriz de abertura de corte correcta.** Uma abertura de corte grande demais aumenta o risco de retrocesso da serra.
- **Mantenha a corrente esticada!** Se estiver mal esticada, aumenta o risco de saltar a corrente bem como o desgaste da lâmina, da corrente e do pinhão.
- **ConsERVE o equipamento de corte bem lubrificado e com a manutenção correcta!** Uma

lubrificação deficiente da corrente aumenta os riscos desta romper-se bem como aumenta o desgaste da lâmina, da corrente e do pinhão.

Equipamento de corte que reduz a ocorrência de retrocesso



ATENÇÃO! Um equipamento de corte defeituoso ou uma combinação lâmina/corrente incorrecta, aumentam o perigo de retrocesso! Use apenas as combinações lâmina/corrente por nós recomendadas e siga as instruções de afiação. Consulte as instruções na secção Especificações técnicas.

O retrocesso só se pode evitar se você, como utilizador, evitar sempre que o sector de risco de retrocesso da lâmina entre em contacto com qualquer objecto.

Usando o equipamento de corte com redução de retrocesso "incorporada" e afiando e mantendo a corrente da serra correctamente, pode-se reduzir o efeito de retrocesso.

Lâmina

Quanto menor for o raio da ponta da lâmina, menor será a tendência de retrocesso.

Corrente

A corrente é composta por elos que existem tanto no modelo standard como no modelo redutor de retrocesso.

IMPORTANTE! Nenhuma corrente de serra elimina o risco de retrocesso.



ATENÇÃO! Todo e qualquer contacto com a corrente da serra pode causar ferimentos graves.

Algumas expressões que especificam a lâmina e a corrente

Para conservar em bom estado todos os componentes de segurança do equipamento de corte, é importante substituir combinações de lâmina/corrente gastas ou danificadas por uma lâmina e uma corrente recomendadas pela Jonsered. Para informação sobre as combinações de lâmina/corrente por nós recomendadas, veja as instruções na secção Especificações técnicas.

Lâmina

- Comprimento (pol/cm)
- Número de dentes no rolete (T).
- Passo da corrente (=pitch) (pol). O rolete da lâmina e o pinhão da moto-serra devem estar adequados à distância entre os elos de condução.
- Total de elos de condução (unid). Cada comprimento de lâmina fornece, em combinação com o passo da corrente e com o total de dentes no rolete da lâmina um número determinado de elos de condução.
- Largura da ranhura da lâmina (pol/mm). A largura da ranhura da lâmina deve estar ajustada à largura dos elos de condução da corrente.
- Orifício de lubrificação da corrente e orifício da cavilha do esticador da corrente. A lâmina deverá estar ajustada à construção da moto-serra.

INTRUÇÕES GERAIS DE SEGURANÇA

Corrente

- Passo da corrente (=pitch) (pol)
- Largura dos elos de condução (mm/pol)
- Total de elos de condução (unid)

Afiação e ajuste da abertura de corte da corrente de serra.



ATENÇÃO! Ao trabalhar com a corrente, use sempre luvas para proteger as mãos de ferimentos.

Noções gerais sobre afiação dos dentes de corte

- Não use nunca uma corrente romba. Um dos sintomas de que a corrente está romba, é ser necessário forçar o equipamento de corte através da madeira e as aparas produzidas serem muito pequenas. Uma corrente de serra muito romba não produz aparas nenhuma. O único resultado é pó de madeira.
- Uma corrente de serra bem afiada avança facilmente através da madeira e produz aparas grandes e compridas.
- O componente cortante duma corrente de serra chama-se elo de corte e consiste de um dente de corte (A) e dum salto de abertura de corte (B). A distância em altura entre os dois determina a profundidade de corte. (7)

Ao afiar o dente de corte, há quatro medidas a considerar.

- 1 Ângulo de afiação
- 2 Ângulo de ataque
- 3 Posição da lima
- 4 Diâmetro da lima redonda

É muito difícil afiar correctamente uma corrente de serra sem os instrumentos auxiliares apropriados. Por isso aconselhamos que use o nosso calibrador de lima. Desse modo assegura-se que a corrente da serra é afiada de modo a reduzir ao máximo a ocorrência de retrocessos e a maximizar a capacidade de corte.

Para informação sobre os dados específicos para afiação da corrente da sua motosserra, veja as instruções na secção Especificações técnicas.



ATENÇÃO! A não observância das instruções de afiação aumenta consideravelmente a tendência da motosserra a retrocessos.

Afiação do dente de corte

Para afiar os dentes de corte requer-se uma lima redonda e um calibrador de lima. Para informação sobre o diâmetro da lima redonda e o calibrador de lima recomendados para a corrente da sua motosserra, veja as instruções na secção Especificações técnicas.

- Verifique se a corrente está esticada. Uma corrente insuficientemente esticada, torna-se instável no sentido transversal, o que dificulta a sua afiação correcta.
- Lime sempre começando do interior para o exterior do dente de corte. Pressione menos a lima no movimento de retorno. Lime todos os dentes de um lado primeiro e depois vire a moto-serra e lima os dentes do outro lado.

- Lime de modo que todos os dentes tenham o mesmo tamanho. Quando restarem apenas 4 mm (0,16") do comprimento dos dentes de corte, considere-se a corrente desgastada e deve-se a deitar fora. (8)

Generalidades sobre o ajuste da abertura de corte.

- Quando se afia o dente de corte, a abertura de corte (=profundidade de corte) diminui. Para manter a capacidade máxima de corte, o salto da abertura de corte tem que ser reduzido para o nível recomendado. Para informação sobre a dimensão da abertura de corte da corrente da sua motosserra, veja as instruções na secção Especificações técnicas.



ATENÇÃO! Uma abertura de corte demasiado grande aumenta a tendência da corrente da serra a provocar retrocessos!

Ajuste da abertura de corte

- Para se poder ajustar a abertura de corte, os dentes têm que estar recém-afiados. Recomendamos que a abertura de corte seja ajustada a cada três afiações da corrente da serra. NOTA! Esta recomendação pressupõe que o comprimento dos dentes de corte não foi limado demais.
- Para ajustar a abertura de corte é preciso uma lima plana e uma matriz de abertura de corte. Para obter a dimensão correcta de abertura de corte e o ângulo correcto do salto da abertura de corte, recomendamos que use o nosso calibrador de lima para ajuste da abertura de corte.
- Coloque o calibrador de lima sobre a corrente da serra. As instruções de utilização do calibrador de lima encontram-se na embalagem respectiva. Use a lima plana para eliminar a parte excedente do salto da abertura de corte. A abertura de corte será correcta quando não se sentir resistência ao passar a lima sobre o calibrador.

Esticamento da corrente



ATENÇÃO! Uma corrente de serra insuficientemente esticada pode provocar um salto da corrente, o que pode acarretar em sérias lesões, até mesmo mortais.



ATENÇÃO! Use sempre luvas de protecção aprovadas. A corrente, mesmo estando parada, pode causar ferimentos graves ao utilizador ou outras pessoas que entrem em contacto com a mesma.

Quanto mais usar uma corrente de serra, mais comprida ela fica. É importante que ajuste o equipamento de corte após essa modificação.

A tensão da corrente deverá ser controlada a cada abastecimento de combustível. NOTA! Uma corrente nova requer um período de rodagem durante o qual se deve controlar a tensão da corrente mais frequentemente.

Em geral é recomendável esticar-se a corrente ao máximo possível, mas não deve estar tão tensa que não se possa girar a corrente facilmente à mão. (9)

- Solte as porcas da lâmina que prendem a cobertura de acoplamento/travão de corrente. Use a chave universal. Depois aperte as porcas da lâmina à mão, o mais possível. (10)
- Levante a ponta da lâmina e estique a corrente, aparafusando o parafuso de tensão da corrente com a ajuda da chave universal. Estique a corrente até que esta deixe de estar frouxa na parte inferior da lâmina. (11)
- Usando a chave universal, aperte as porcas da lâmina ao mesmo tempo que segura na ponta da lâmina. Verifique se a corrente pode ser facilmente girada à mão e que não está frouxa na parte inferior da lâmina. (12)

Lubrificação do equipamento de corte



ATENÇÃO! Lubrificação insuficiente do equipamento de corte pode ocasionar um rompimento da corrente que por sua vez pode causar sérias lesões, até mesmo mortais.

Óleo de corrente

O óleo de corrente deve aderir bem à mesma e possuir boas características de fluidez, independentemente de um verão muito quente ou inverno de frio intenso.

Como fabricantes de moto-serras, desenvolvemos um óleo de corrente otimizado que, além da sua base vegetal, é biodegradável. Recomendamos o uso do nosso óleo para um máximo de vida útil, beneficiando a corrente e o meio ambiente. Caso o nosso óleo de corrente não esteja disponível, recomendamos óleo de corrente comum.

Nunca empregue óleo usado! É perigoso para tanto para si como para o meio ambiente.

IMPORTANTE! Caso seja usado óleo vegetal para corrente de serra, desmonte e limpe o sulco da lâmina e a corrente antes de armazenamento por tempo prolongado. Caso contrário o óleo de corrente pode oxidar-se fazendo com que a corrente fique rígida e o rolete da ponta da lâmina emperre.

Abastecimento do óleo de corrente

- Todos os nossos modelos de moto-serra possuem lubrificação de corrente automática. Alguns deles podem até ser fornecidos com fluxo de óleo regulável.
- O depósito do óleo da corrente e o depósito de combustível estão dimensionados de modo ao combustível acabar antes do óleo de corrente. No entanto, esta função de segurança só é eficaz sob a condição de ser usado o óleo para corrente correcto (um óleo demasiado fino e fluído termina antes do combustível), de as nossas recomendações respeitantes à afinação do carburador serem seguidas (uma afinação demasiado 'pobre' faz com que o combustível dure mais do que o óleo da corrente) e de as nossas recomendações respeitantes ao equipamento de corte serem seguidas (uma lâmina demasiado comprida requer mais óleo de corrente).

Controlo da lubrificação da corrente

- Verifique a lubrificação da corrente a cada abastecimento de combustível. Ver instruções na secção Lubrificação do rolete da ponta da lâmina. Com a ponta da lâmina a uma distância de aprox. 20 cm (8 pol.), aponte para um objecto sólido e claro. Após 1 minuto de funcionamento com 3/4 de aceleração, deverá aparecer uma nítida faixa de óleo sobre o objecto claro.

Se a lubrificação da corrente não funciona:

- Verifique se o canal do óleo de corrente na lâmina está aberto. Limpe-o se for necessário.
- Verifique se a ranhura da lâmina está limpa. Limpe se necessário.
- Verifique se o rolete da lâmina gira facilmente e se o orifício de lubrificação do rolete está aberto. Limpe e lubrifique se necessário.

Se a lubrificação da corrente não funcionar após a verificação e execução dos pontos acima, procure a sua oficina autorizada.

Pinhão da corrente

O tambor da embraiagem está equipado com um pinhão Spur (pinhão da corrente soldado ao tambor).

Verifique regularmente o nível de desgaste do pinhão da corrente. Substitua-o caso apresente desgaste anormal. O pinhão deverá ser trocado a cada substituição de corrente.

Controlo de desgaste no equipamento de corte

Controle diariamente a corrente, verificando se:

- Há rachaduras visíveis em rebites e elos.
- A corrente está rijá.
- Os rebites e elos apresentam desgaste anormal.

Se a corrente da serra apresentar algum dos sintomas nos pontos acima, deite-a fora.

Recomendamos o uso de uma corrente nova para poder avaliar o desgaste da sua corrente.

Quando restarem apenas 4 mm do comprimento do dente de corte, a corrente está completamente gasta e deverá ser deitada fora.

Lâmina

Verifique regularmente:

- Se ocorreu a formação de rebarbas nos bordos externos da lâmina. Remova com a lima se necessário. (13A)
- Se a ranhura da lâmina está com desgaste anormal. Substitua a lâmina quando necessário. (13B)
- Se a extremidade da lâmina apresenta desgaste anormal ou irregular. Se ocorrer a formação de uma depressão onde o raio da extremidade termina, na parte inferior da lâmina, significa que você operou com a corrente insuficientemente esticada.
- Para obter vida útil máxima, a lâmina deve ser virada diariamente.



ATENÇÃO! A maioria dos acidentes com moto-serras ocorrem quando a corrente da serra atinge o utilizador.

Use equipamento de protecção pessoal. Ver as instruções na secção Equipamento de protecção pessoal.

Evite qualquer forma de uso para a qual não se sinta suficientemente qualificado. Ver as instruções nas secções Equipamento de protecção pessoal, Medidas de prevenção contra retrocessos, Equipamento de corte e Instruções gerais de trabalho.

Evite situações em que exista o risco de retrocesso. Ver as instruções na secção Equipamento de segurança da máquina.

Use o equipamento de corte recomendado e verifique o seu estado. Ver as instruções na secção Instruções gerais de trabalho.

Controle o funcionamento dos detalhes de segurança da moto-serra. Ver as instruções nas secções Instruções gerais de trabalho e Instruções gerais de segurança.

Montagem da lâmina e corrente



ATENÇÃO! A inspecção e/ou manutenção devem ser efectuadas com o motor desligado. O contacto de paragem retorna automaticamente à posição de arranque. Por isso, para impedir o arranque acidental da máquina, deve-se sempre remover a protecção da vela de ignição durante todos os trabalhos de montagem, inspecção e/ou manutenção.

Ao trabalhar com a corrente, use sempre luvas para proteger as mãos de ferimentos.

Verifique se o travão de corrente não está activado, movendo o protector anti-retrocesso do travão de corrente no sentido do punho dianteiro.

Desatarraxe inteiramente as porcas e remova a cobertura de acoplamento (travão de corrente). Retire o protector para transporte.(A) **(14)**

Monte a lâmina nos seus parafusos. Coloque a lâmina na sua posição mais atrás. Ponha a corrente sobre o pinhão e a ranhura da lâmina. Comece pela parte superior da lâmina. **(15)**

Verifique se o fio dos elos de corte está voltado para a frente, na parte superior da lâmina.

Monte a cobertura da embraiagem (o travão da corrente) e localize o pino do esticador da corrente no orifício na lâmina. Verifique se os elos de condução da corrente passam correctamente por cima do pinhão e se a corrente está correctamente localizada na ranhura da lâmina. Aperte as porcas da lâmina com os dedos. **(16)**

Estique a corrente, apertando com o auxílio da chave universal o parafuso esticador da corrente, no sentido horário. Estique a corrente até que esta deixe de estar frouxa na parte inferior da lâmina. Ver instruções na secção Esticar a corrente da serra. **(17)**

A corrente está correctamente esticada quando não mais estiver frouxa na parte inferior da lâmina e ainda possa ser girada facilmente com a mão. Aperte bem as porcas da lâmina com a chave universal ao mesmo tempo que segura a extremidade da lâmina. **(18)**

Numa corrente nova, a tensão deverá ser controlada constantemente até concluir a rotação. Verifique a tensão da corrente regularmente. Uma corrente correcta significa boa capacidade de corte e longa vida útil. **(19)**

Montagem do apoio para casca

Para montar um apoio para casca, contacte uma oficina autorizada.

Combustível

Observe! A máquina está equipada com um motor de dois tempos e deve sempre funcionar com uma mistura de gasolina e óleo para motores de dois tempos. Para garantir a mistura correcta, é importante que se meça cuidadosamente a quantidade de óleo a misturar. Ao misturar pequenas quantidades de combustível, até mesmo pequenos erros na quantidade de óleo podem afectar fortemente a proporção da mistura.



ATENÇÃO! Tenha sempre boa ventilação ao manusear combustível.

Gasolina

- Use gasolina de qualidade, com ou sem chumbo.
- O índice de octano mínimo recomendado é 90 (RON) No caso do motor funcionar com gasolina com um índice de octano inferior a 90, o motor pode "grilar". Isso pode provocar um aumento de temperatura no motor e uma maior sobrecarga nos rolamentos, que podem causar graves avarias no motor.
- Ao trabalhar com rotações altas continuamente (p. ex. na desrama), recomenda-se um índice de octano mais elevado.

Rodagem

Durante as primeiras 10 horas de funcionamento, deve-se evitar regimes de rotação demasiado altos.

Óleo de dois tempos

- Para obter o melhor resultado e rendimento, use óleo para motores a dois tempos JONSERED, produzido especialmente para os nossos motores a dois tempos arrefecidos a ar.
- Não use nunca óleo para motores fora de borda a dois tempos e arrefecidos a água, também chamado 'óleo para foras de borda' (designado TCW).
- Nunca use óleo para motores a quatro tempos.
- Um óleo de baixa qualidade ou uma mistura de óleo/combustível demasiado rica podem aventurar o funcionamento do catalizador e reduzir-lhe a vida útil.

Proporção de mistura

1:50 (2%) com óleo para motores a dois tempos JONSERED.

1:33 (3%) com outros óleos para motores de dois tempos arrefecidos a ar, com homologação JASO FB/ISO EGB.

Gasolina, litros	Óleo de dois tempos, litros	
	2% (1:50)	3% (1:33)
5	0,10	0,15
10	0,20	0,30
15	0,30	0,45
20	0,40	0,60

Mistura

- Misture sempre gasolina e óleo num recipiente limpo e aprovado para gasolina.
- Comece sempre por juntar metade da gasolina a ser misturada. Junte depois todo o óleo. Agite bem a mistura. Por fim, junte o restante da gasolina.
- Agite a mistura cuidadosamente antes de a despejar no depósito de combustível da máquina.
- Não misture combustível além do necessário para se consumir durante um mês, no máximo.
- Se a máquina não for usada por um longo período, esvazie o depósito de combustível e limpe-o.

Óleo de corrente

- Para lubrificação, recomenda-se um óleo especial (óleo para lubrificação de correntes de serra) com boa capacidade de aderência.
- Nunca aplique óleo usado. Isto acarreta danos à bomba de óleo, lâmina e corrente.
- É importante o uso do tipo de óleo correcto em relação à temperatura do ar (viscosidade adequada).
- Temperaturas abaixo de 0°C conferem a determinados óleos uma baixa fluidez. Isto acarreta sobrecarga na bomba de óleo, danificando suas peças.
- Consulte a sua oficina autorizada ao escolher óleo de lubrificação de corrente.

Abastecimento



ATENÇÃO! As medidas de precaução abaixo diminuem os riscos de incêndio:

Não fume nem ponha objectos quentes na proximidade de combustível.

Paro o motor e deixe arrefecer alguns minutos antes de abastecer.

Abra a tampa do depósito devagar, ao abastecer, para dar saída lenta aos gases se houver um excesso de pressão.

Aperte bem a tampa do depósito após abastecer.

Afaste sempre a máquina do local de abastecimento ao arrancar.

Limpe bem à volta da tampa do depósito. Limpe com regularidade os depósitos de combustível e óleo de corrente. O filtro de combustível deve trocar-se no mínimo uma vez por ano. Sujidades nos depósitos acarretam distúrbios no funcionamento. Verifique se o combustível está bem misturado, agitando o recipiente antes de encher o depósito. O volume dos depósitos de óleo de corrente e de combustível mantém uma proporção entre si. Por essa razão, abasteça sempre o depósito de combustível e de óleo de corrente ao mesmo tempo.



ATENÇÃO! O combustível e os seus vapores são altamente inflamáveis. Cuidado ao manusear combustível e óleo de corrente. Pense nos riscos de incêndio, explosão e aspiração.

Segurança no manejo de combustível

- Nunca abasteça uma máquina com o motor em funcionamento.
 - Zele por uma boa ventilação ao abastecer e misturar combustível (gasolina e óleo de dois tempos).
 - Afaste a máquina pelo menos 3 metros do lugar onde abasteceu, antes de arrancar.
 - Nunca arranque com a máquina:
- 1 Se derramou combustível ou óleo de corrente sobre a máquina. Remova todo o líquido derramado e deixe que os restos de gasolina se evaporem.
 - 2 Se derramou combustível sobre si próprio ou na sua roupa, troque de roupa. Lave as partes do corpo que estiveram em contacto com o combustível. Lave com água e sabonete.
 - 3 Se a máquina tiver fuga de combustível. Controle regularmente se há fugas na tampa do depósito e nos tubos de combustível.



ATENÇÃO! Não use nunca uma máquina com danos visíveis no cachimbo de protecção da vela de ignição e no cabo de ignição. Perigo de formação de faíscas que podem causar incêndio.

Transporte e armazenagem

- Guarde a moto-serra e o combustível de modo que uma eventual fuga ou vapores não corram o risco de entrar em contacto com faíscas ou chama viva. Por exemplo, máquinas e motores eléctricos, contactos/interruptores eléctricos, caldeiras de aquecimento ou similares.
- Ao armazenar combustível deverá usar-se um recipiente especialmente destinado e aprovado para esse fim.
- Durante longos períodos de armazenagem ou transporte da moto-serra, deve-se esvaziar os depósitos de combustível e óleo de corrente. Consulte o posto de abastecimento de combustível mais próximo sobre o destino a dar ao excedente de combustível e óleo de corrente.
- Certifique-se de que a máquina foi cuidadosamente limpa e submetida a uma revisão completa antes de ser armazenada por tempo prolongado.
- A protecção de transporte do equipamento de corte deve sempre ser montada durante o transporte ou armazenamento da máquina, de modo a evitar contacto involuntário com a corrente afiada. A corrente, mesmo estando parada, pode causar ferimentos graves ao utilizador ou outras pessoas que entrem em contacto com a mesma.
- Trave a máquina durante o transporte

Armazenamento por tempo prolongado

Em local bem ventilado, esvazie os depósitos do óleo e do combustível. Conserve o combustível em reservatórios aprovados e em lugar seguro. Monte a

protecção da lâmina. Limpe a máquina. Consulte as instruções na secção 'Programa de manutenção'.

Arranque e paragem



ATENÇÃO! Antes de arrancar, observe o seguinte:

O travão da corrente deve estar aplicado quando se dá o arranque à motosserra, para evitar o perigo de contacto com a corrente em rotação durante o arranque.

Não arranque a moto-serra sem que a lâmina, a corrente da serra e todas as coberturas estejam montadas. A embraiagem pode soltar-se e causar acidentes pessoais.

Coloque a máquina sobre uma superfície firme. Certifique-se de que está numa posição estável e que a corrente não entra em contacto com nenhum objecto.

Certifique-se de que nenhuma pessoa estranha se encontra na zona de trabalho.

Motor frio

Arranque: O travão da corrente deve estar activado no arranque da moto-serra. Active o travão levando a protecção contra o retrocesso para a frente. **(20)**

1. Bomba de combustível: Premir a bolha de borracha da bomba de combustível repetidas vezes, até que o combustível comece a encher a bolha. Não é necessário encher a bolha completamente. **(23)**

2. Estrangulador: Puxe o estrangulador azul/ acelerador de arranque totalmente para fora (para a posição **ACELERAÇÃO TOTAL**) Quando o comando do estrangulador é puxado totalmente para fora, obtém-se automaticamente a posição correcta de aceleração de arranque. **(21)**

Aceleração de arranque: A posição combinada estrangulador/aceleração de arranque obtém-se ao colocar o comando na posição de estrangular. **(22)**

Arranque

Segure no punho dianteiro com a mão esquerda. Ponha o pé direito na parte inferior do punho traseiro e pressione a moto-serra contra o solo.

3. Puxe o punho de arranque com a mão direita e puxe a corda de arranque lentamente até começar a sentir resistência (quando os prendedores do arranque engatam). **Nunca enrole a corda de arranque na mão.** **(25)**

NOTA! Não puxe inteiramente a corda de arranque nem solte a pega do arranque se estiver em posição totalmente distendida. Esta prática pode danificar a máquina.

4. Empurre o controlo do estrangulador para a posição "1/2 estrangulador" logo que o motor desapare, o que pode ser detectado ouvindo um som "puff". **(21)**

5. **Continue a puxar** a corda de arranque até o motor arrancar. (26) Aguarde que o motor aqueça durante trinta segundos, e accione o acelerador para definir a marcha em vazio normal.

Uma vez que o travão da corrente continua activado, a rotação do motor deve ser baixada logo que possível para a marcha em vazio, o que se consegue premindo o gatilho do acelerador uma vez. Deste modo, pode evitar o desgaste desnecessário da embraiagem, do tambor da embraiagem e da faixa do travão.

Observe! Reponha o travão de corrente dirigindo a protecção anti-retrocesso (marcada "PULL BACK TO RESET") contra o arco do punho. (27) A motosserra estará então pronta a ser usada.

Motor quente

Use o mesmo procedimento que para o motor frio mas sem accionar o estrangulador. Regule o acelerador para a posição de arranque puxando o estrangulador azul para a posição de aceleração e empurrando-o de novo para dentro. (24)



ATENÇÃO! A inspiração prolongada dos gases de escape do motor, de névoa do óleo da corrente ou de serrim pode ser um risco para a saúde.

- Nunca arranque a moto-serra sem que a lâmina, a corrente e todas as coberturas estejam devidamente montadas. Ver as instruções na secção Montagem. Quando a motosserra não tem a lâmina e a corrente montadas, a embraiagem pode saltar-se e causar ferimentos graves. (28)
- O travão da corrente deverá estar aplicado quando se dá o arranque à motosserra. Ver instruções na secção Arranque e paragem. Nunca dê o arranque à motosserra segurando a corda do arranque e deixando cair a máquina. Esse método é muito perigoso, pois pode-se facilmente perder o controlo sobre a motosserra. (29)
- Nunca ponha a máquina a trabalhar dentro de casa. Conscientize-se do perigo que representa inspirar os gases de escape do motor.
- Observe a vizinhança e certifique-se de que não há risco de pessoas ou animais entrarem em contacto com o equipamento de corte.
- Segure sempre a motosserra com as duas mãos. Mantenha a mão direita no punho traseiro e a mão esquerda no punho dianteiro. **Todos os utilizadores, quer os que usam a mão direita quer os canhotos, deverão usar esta forma de agarrar.** Agarre com firmeza, com os polegares e os dedos em volta dos punhos da motosserra. (30)

Paragem

Pare o motor premindo o botão de paragem. (31)

Sempre, antes de usar: (32)

- 1 Verifique se o travão da corrente funciona devidamente e se está em bom estado.
- 2 Verifique se a protecção traseira da mão direita está em bom estado.
- 3 Verifique se o bloqueio do acelerador funciona devidamente e se está em bom estado.
- 4 Verifique se o contacto de paragem funciona e está em bom estado.
- 5 Verifique se todos os punhos estão isentos de óleo.
- 6 Verifique se o sistema anti-vibração funciona devidamente e se está em bom estado.
- 7 Verifique se o silenciador está bem preso e em bom estado.
- 8 Verifique se todos os componentes da moto-serra estão apertados e se não estão danificados ou em falta.
- 9 Verifique se a protecção da corrente está no seu lugar e em bom estado.
- 10 Verifique o esticamento da corrente.

Instruções gerais de trabalho

IMPORTANTE!

Esta secção aborda regras básicas de segurança para o trabalho com a moto-serra. A informação fornecida nunca poderá substituir os conhecimentos adquiridos de forma teórica e prática por um profissional. Se você se sentir inseguro sobre a melhor maneira de continuar a trabalhar, pergunte a um especialista. Dirija-se ao seu revendedor de moto-serras, à sua oficina autorizada ou a um utilizador de moto-serras experiente. Evite qualquer forma de uso para a qual não se sinta suficientemente qualificado!

Antes de usar a moto-serra, você deve entender o que significa retrocesso e como o pode evitar. Ver as instruções na secção Medidas de prevenção contra retrocessos.

Antes de usar a moto-serra, você deve compreender a diferença em serrar com a parte inferior da lâmina e com a superior, respectivamente. Ver instruções nas secções 'Medidas de prevenção contra retrocesso' e 'Equipamento de segurança da máquina'.

Use equipamento de protecção pessoal. Ver as instruções na secção Equipamento de protecção pessoal.

Regras básicas de segurança

- 1 Observe a vizinhança:
 - Para assegurar-se de que pessoas, animais ou outro factor não possam interferir no seu controlo sobre a máquina.
 - Para evitar o risco dos acima citados entrarem em contacto com a corrente da serra ou serem atingidos por uma árvore em queda e se ferirem.

NOTA! Siga os pontos acima mas nunca use uma moto-serra sem ter a possibilidade de pedir ajuda em caso de acidente.

- 2 Evite o uso em condições meteorológicas desfavoráveis. Por exemplo, em denso nevoeiro,

chuva e vento fortes, frio intenso, etc. Trabalhar com mau tempo é cansativo e pode ocasionar situações perigosas, por exemplo, solo escorregadio, influência na direcção de abate das árvores, etc.

- 3 Seja extremamente cauteloso ao serrar pequenos galhos e evite serrar em arbustos (= muitos pequenos ramos ao mesmo tempo). Pequenos galhos podem, após o corte, prender-se à corrente da serra, ser projectados contra si e causar sérios acidentes pessoais.
- 4 Certifique-se de que pode andar e estar de pé com segurança. Tenha cuidado com eventuais obstáculos em caso de um deslocamento inesperado (raízes, pedras, galhos, buracos, valas, etc.). Use de extrema precaução ao trabalhar em terreno inclinado.
- 5 Tenha a máxima cautela ao serrar árvores que estejam entesadas. Uma árvore entesada pode, tanto antes como após a serração, retornar à sua posição normal. Uma postura incorrecta da sua parte ou do corte da serra poderão levar a árvore a atingi-lo a si ou à máquina, fazendo com que perca o controlo. Ambas as situações podem causar sérias lesões pessoais.
- 6 Ao deslocar-se, a corrente deverá ser travada com o travão de corrente e o motor desligado. Leve a moto-serra com a lâmina e corrente voltadas para trás. Em deslocamentos mais longos bem como ao transportar, use o protector de lâmina.
- 7 Quando deixar a motosserra no solo, trave a corrente da serra com o travão da corrente e mantenha a máquina sob vigilância. Para 'estacionamento' mais prolongado, deve-se desligar o motor.



ATENÇÃO! Por vezes ficam aparas presas na cobertura da embraiagem, bloqueando a corrente. Pare sempre o motor para limpeza.

Regras básicas

- 1 Compreendendo o que significa retrocesso e como este ocorre, você poderá reduzir ou eliminar o efeito de surpresa. O inesperado aumenta o risco de acidente. A maioria dos retrocessos é pequena mas alguns deles são extremamente rápidos e muito violentos.
- 2 Empunhe sempre a moto-serra numa posição firme, com a mão direita no punho traseiro e a esquerda no punho dianteiro. Polegares e dedos devem envolver os punhos. Todos os utilizadores, independentemente de serem direitos ou canhotos deverão usar esta posição. Com esta posição você poderá reduzir mais facilmente o efeito de retrocesso e simultaneamente manter o controlo sobre a moto-serra. **Não solte os punhos!**
- 3 A maioria dos acidentes de retrocesso ocorrem na poda de ramos. Assuma uma postura firme e verifique se nenhum objecto no solo pode fazê-lo tropeçar ou perder o equilíbrio.

Por decuido, o sector de risco de retrocesso da lâmina pode atingir um ramo, uma árvore próxima ou outro objecto, provocando um retrocesso.

Mantenha a peça de trabalho sob controlo. Se os pedaços que está a serrar forem pequenos e leves, podem prender-se na corrente da serra e ser atirados contra si. Mesmo que isso não seja

necessariamente perigoso, você pode assustar-se e perder o controlo sobre a motosserra. Não serre nunca toras ou ramos empilhados sem primeiro os separar. Serre apenas uma tora ou um pedaço de cada vez. Remova os pedaços serrados para manter o local de trabalho seguro.

- 4 **Nunca use a moto-serra acima da altura dos ombros e evite serrar com a ponta da lâmina. Nunca use a moto-serra segurando-a apenas com uma das mãos! (33)**
- 5 É necessário que esteja em equilíbrio estável para que possa dominar totalmente a moto-serra. Nunca use a moto-serra se estiver numa escada, numa árvore ou em local em que não esteja apoiado numa base firme e segura. **(34)**
- 6 Serre com a corrente em alta velocidade, isto é, com aceleração total.
- 7 Seja extremamente cuidadoso ao serrar com a parte superior da lâmina, isto é, ao serrar pela parte inferior do objecto a ser serrado. Isto é chamado de serrar com a corrente a empurrar. A corrente empurra a moto-serra de volta, contra o utilizador. Se a corrente da serra ficar entalada, a motosserra pode ser atirada para trás contra si.
- 8 Se o utilizador não aparar o esforço da moto-serra, há um risco de que a moto-serra seja empurrada de tal modo para trás que o sector de risco de retrocesso da lâmina será o único contacto com a árvore, o que conduz a um retrocesso. **(35)**

Serrar com a parte inferior da lâmina, ou seja, serrar a partir do lado superior do objecto a ser serrado, e para baixo, chama-se serrar com a corrente a puxar. Então a moto-serra é puxada contra a árvore e o canto anterior do corpo da moto-serra forma um apoio natural contra o tronco. Serração com a corrente a puxar possibilita ao utilizador um melhor controlo sobre a moto-serra bem como sobre onde o sector de risco de retrocesso da lâmina está localizado.

- 9 Siga as instruções de limpeza e manutenção da lâmina e corrente. Ao trocar de lâmina e corrente, só é permitido o uso das nossas combinações recomendadas. Ver as instruções nas secções Equipamento de corte e Especificações técnicas.

Técnica básica de serração



ATENÇÃO! Não use nunca uma motosserra empunhando-a com uma mão apenas. É impossível controlar uma motosserra com segurança com apenas uma mão. Agarre sempre a motosserra firmemente, com as duas mãos nos punhos.

Noções gerais

- Mantenha sempre aceleração total em todos trabalhos de serração!
- Deixe o motor retornar à marcha em vazio após cada corte de serra (períodos longos de aceleração total sem sobrecarga para o motor, ou seja, sem a resistência que o motor experimenta na serração, causam sérios danos ao motor).

- Serrar de cima para baixo = Serrar com a corrente "a puxar".
- Serrar de baixo para cima = Serrar com a corrente "a empurrar".

Serrar com a corrente "a empurrar" representa um aumento do risco de retrocesso. Ver as instruções na secção Medidas de prevenção contra retrocessos.

Denominações

Traçagem = Denominação geral da serração de fora a fora da árvore.

Desrama = Serrar os galhos de uma árvore abatida.

Fendilhamento = Quando o objecto que você irá traçar, se parte antes de se completar o corte com a serra.

Antes de cada traçagem há cinco factores muito importantes a considerar:

- 1 O equipamento de corte não pode ficar entalado no corte de serra.
- 2 O objecto a serrar não pode fender-se.
- 3 A corrente da serra não pode tocar o solo ou outro objecto, durante ou após uma serração de fora a fora.
- 4 Há risco de retrocesso?
- 5 Pode o aspecto do terreno e das zonas vizinhas influir na sua estabilidade e segurança ao andar ou estar de pé?

Os motivos da corrente se prender ou do objecto a serrar se fender podem ser dois: O apoio que o objecto a serrar tem antes e depois da traçagem e a tensão sob a qual se encontre se o objecto a serrar.

Os factos indesejáveis acima mencionados podem, na maioria dos casos, evitar-se através da traçagem em duas etapas, pela parte superior e pela inferior. Trata-se de neutralizar a tendência do objecto a serrar em prender a corrente da serra ou em fender-se.

IMPORTANTE! Se a corrente se prender durante o corte: páre o motor! Não tente arrancar a moto-serra para fora do corte. Se o fizer pode ferir-se na corrente se a moto-serra se desprender repentinamente. Use uma alavanca para desprender a moto-serra.

A listagem a seguir é uma exposição teórica de como proceder nas situações mais comuns que podem ocorrer a um utilizador de moto-serras.

Desrama

Na desrama de galhos mais grossos, serão aplicados os mesmos princípios da traçagem.

Corte galhos difíceis por partes.

Traçagem



ATENÇÃO! Não tente nunca serrar toras empilhadas ou juntas. Esse tipo de procedimento aumenta drasticamente o perigo de retrocesso e pode causar ferimentos graves e até mesmo mortais.

Caso estejam empilhadas, cada tora que quiser cortar deverá ser colocada num cavalete ou sobre travessas e ser cortada individualmente.

Remova os pedaços cortados do local de trabalho. Se os deixar no local de trabalho, aumenta o risco de

retrocesso da máquina e também o risco de você se desequilibrar durante o trabalho.

O tronco está deitado sobre o solo. Não há nenhum risco da corrente se prender ou de fendilhamento do objecto a serrar. O risco é, entretanto, grande de que a corrente toque o solo após a serração de fora a fora.

Serre de cima para baixo através de todo o tronco. Tenha cuidado durante o final do corte para evitar que a corrente toque no solo. Mantenha aceleração total mas prepare-se para o que possa acontecer. **(36)**

Se possível (= pode-se girar o tronco?) deve o corte de serra terminar a 2/3 do diâmetro do tronco.

Gire o tronco de modo a poder completar o restante 1/3, serrando de cima para baixo.

O tronco tem apoio numa extremidade. Grande risco de fendilhamento.

Começa a serrar de baixo para cima (cerca de 1/3 do diâmetro do tronco).

Termine de cima para baixo de modo que os dois cortes se encontrem.

O tronco está apoiado em ambas as extremidades. Grande risco da corrente se prender.

Comece a serrar de cima para baixo (cerca de 1/3 do diâmetro do tronco).

Termine de baixo para cima de modo que os dois cortes se encontrem.

Técnica de abate de árvores

IMPORTANTE! Muita experiência é exigida para abater uma árvore. Um utilizador de moto-serra inexperiente não deverá abater árvores. Evite qualquer forma de uso para a qual não se sinta suficientemente qualificado!

Distância de segurança

A distância de segurança entre a árvore a abater e o próximo local de trabalho deverá ser de 2 1/2 vezes o comprimento da árvore. Controle para que ninguém se encontre dentro desta "área de risco" antes ou durante o abate. **(37)**

Direcção de abate

O objectivo no abate é colocar a árvore de um modo tal que a desrama a seguir, bem como a traçagem do tronco possam realizar-se num terreno tão "simples" quanto possível. Deve-se poder andar e estar de pé com segurança.

Após decidir sobre a direcção de abate que desjada, você deverá fazer uma avaliação sobre a direcção natural de queda da árvore.

Os factores determinantes são:

- Inclinação
- Sinuosidade
- Direcção do vento
- Concentração de galhos
- Eventual peso da neve
- Obstáculos ao alcance da árvore: por exemplo outras árvores, cabos de alta tensão, caminhos e construções.

- Verifique se há sinais de danos ou podridão no tronco, o que aumenta a probabilidade da árvore se quebrar e começar a cair antes do previsto.

Após essa avaliação pode-se ser obrigado a deixar a árvore cair na sua direcção natural de queda, já que é impossível ou demasiado arriscado tentar colocá-la na direcção que se tinha planeado no início.

Um outro factor importante, que não influi na direcção de queda, mas na sua segurança pessoal é verificar se a árvore não tem galhos partidos ou "mortos" que se podem romper e ferir-lo durante o trabalho de abate.

O que se deve evitar principalmente é que a árvore abatida se prenda a outra. Retirar uma árvore abatida que se prendeu é muito perigoso e existe um risco muito elevado de acidente. Consulte as instruções na secção Libertar uma árvore que tombou mal.

IMPORTANTE! Em situações de abate críticas, os protectores acústicos devem ser levantados assim que cessar a serração, afim de se poderem perceber os sons e sinais de perigo.

Desrama da parte inferior e caminho de fuga

Desrame o tronco até à altura dos ombros. O mais seguro é trabalhar de cima para baixo e ter o tronco entre si e a motosserra.

Remova a vegetação do solo em volta da árvore e prepare-se para eventuais obstáculos (pedras, galhos, buracos, etc.) de modo que possa fugir facilmente quando a árvore começar a cair. O caminho de fuga deve estar situada a cerca de 135° diagonalmente para trás da direcção de abate planeada para a árvore. (38)

- 1 Zona de risco
- 2 Linha de retirada
- 3 Direcção de abate

Abate



ATENÇÃO! Desaconselhamos os utilizadores insuficientemente qualificados a abater uma árvore com comprimento de lâmina menor que o diâmetro do tronco!

O abate é executado com três cortes de serra. Primeiro faz-se o corte direccional que se compõe dum corte superior e dum corte inferior e depois finaliza-se o abate com o corte de abate. Posicionando-se correctamente estes cortes, pode-se determinar a direcção da queda com grande exactidão.

Corte direccional

Ao fazer o corte direccional, começa-se pelo corte superior. Coloque-se do lado direito da árvore e serre com a corrente a puxar.

Depois, serre o corte inferior de modo que este termine exactamente onde termina o corte superior. (39)

A profundidade do corte direccional deve ser de 1/4 do diâmetro do tronco e o ângulo entre o corte superior e o inferior, no mínimo de 45°.

O encontro de ambos os cortes chama-se linha do corte direccional. Esta linha deverá situar-se em posição rigorosamente horizontal e ao mesmo tempo formar um ângulo recto (90°) com a direcção de queda escolhida. (40)

Corte de abate

O corte de abate é feito do outro lado da árvore e deve estar em posição rigorosamente horizontal. Ponha-se do lado esquerdo da árvore e serre com a corrente a puxar.

Localize o corte de abate a cerca de 3-5 cm (1,5-2 pol) sobre o plano horizontal do corte direccional.

Coloque o apoio para casca (se estiver montado) atrás da linha de ruptura. Serre com aceleração total e deixe a corrente/lâmina penetrar devagar na árvore. Observe se a árvore se move no sentido contrário ao da direcção de queda pretendida. Introduza uma cunha de abate ou barra extractora logo que a profundidade de corte o permita. (41)

O corte de abate deverá terminar paralelamente à linha de corte direccional de modo que a distância entre ambos seja no mínimo de 1/10 do diâmetro do tronco. A parte não serrada no tronco é designada de linha de ruptura.

A linha de ruptura funciona como uma dobradiça que comanda a direcção da queda da árvore. (42)

Perde-se todo o controlo sobre a direcção de queda da árvore se a linha de ruptura for demasiado pequena ou muito serrada, ou se o corte direccional e o corte de abate estiverem incorrectamente posicionados.

Quando o corte de abate e o corte direccional estiverem concluídos, a árvore deverá começar a cair por si própria ou com a ajuda da cunha de abate ou barra extractora.

Recomendamos o uso de um comprimento de lâmina superior ao diâmetro do tronco na copa da árvore, de modo que o corte de abate e o corte direccional possam ser executados com o chamado 'corte simples'. Ver o capítulo Especificações técnicas com relação ao comprimento de lâmina adequado ao seu modelo de motosserra.

Há métodos para abate de árvores com os diâmetros do tronco maiores do que o comprimento da lâmina. Esses métodos acarretam o grande perigo de que o sector de risco de retrocesso da lâmina entre em contacto com algum objecto.

Tratamento de um resultado de abate mal-sucedido

Remoção de uma "árvore presa no abate"

Retirar uma árvore abatida que se prendeu é muito perigoso e existe um risco muito elevado de acidente.

Não tente nunca cortar uma árvore caída sobre outra.

Nunca trabalhe dentro da zona de perigo de uma árvore presa noutra.

O método mais seguro é usar um guincho.

- Montado num tractor
- Transportável

Serração em árvores ou galhos que se encontram entesados

Preparativos: Avalie em que direcção o entesamento ocorre e também onde está o seu ponto de ruptura (ou seja, o ponto onde se partiria se fosse ainda mais entesado).

Decida qual o modo mais seguro de aliviar o entesamento e se você é capaz de o fazer. Em situações extremamente complicadas, o único método seguro é abster-se de usar a moto-serra e usar um guincho.

Aplica-se em geral:

Posicione-se de modo tal que não se arrisque a ser atingido pela árvore/galho quando se desfizer o entesamento.

Faça um ou vários cortes no ponto de ruptura ou nas suas proximidades. Serre com profundidade suficiente e com tantos cortes quantos forem necessários para que o entesamento da árvore/galho se dissipe, e em proporções suficientes para que a árvore/galho "se rompam" no ponto de ruptura.

Nunca serre de fora a fora um objecto que se encontra entesado!

Se for necessário serrar através da árvore/ramo, faça dois ou três golpes espaçados 3 cm, e com 3-5 cm de profundidade.

Continue a serrar mais fundo até a tensão da árvore/ramo vergado desaparecer.

Após a tensão ter sido eliminada, cortar a árvore/ramo pelo lado oposto.

Medidas de prevenção contra retrocessos



ATENÇÃO! Retrocessos podem ser extremamente rápidos, repentinos e violentos e podem arremessar a moto-serra, lâmina e corrente contra o utilizador. Se a corrente estiver em movimento quando ou se atingir o utilizador, poderão ocorrer lesões muito graves, até mesmo mortais. É necessário compreender o que provoca retrocessos e que é possível evitá-los através de cautela e técnicas de trabalho correctas.

Que é retrocesso?

Retrocesso é a denominação de uma reacção repentina, onde a moto-serra e a lâmina são expelidas de um objecto que entrou em contacto com o quadrante superior da extremidade da lâmina, o chamado sector de risco de retrocesso. (43)

O retrocesso desloca-se sempre na direcção do plano da lâmina. Mais comum é que a moto-serra e a lâmina sejam arremessadas para cima e para trás, contra o utilizador. Entretanto, ocorrem outras direcções de retrocesso, dependendo da posição da moto-serra no momento em que o sector de risco de retrocesso a lâmina entrou em contacto com um objecto.

Retrocesso somente pode ocorrer quando o sector de risco de retrocesso da lâmina entrar em contacto com um objecto. (44)

Desrama



ATENÇÃO! A maioria dos acidentes por retrocesso ocorrem durante o desrame. Não use o sector de risco de retrocesso da lâmina. Tenha o máximo cuidado e evite que a ponta da lâmina entre em contacto com o tronco, outros ramos ou objectos. Tenha muito cuidado com ramos vergados e sob tensão. Eles podem desprender-se e rebater contra si, fazendo com que perca o controlo sobre a máquina e causando ferimentos.

Certifique-se de que pode andar e estar de pé com segurança! Trabalhe a partir do lado esquerdo do tronco. Trabalhe o mais próximo possível da moto-serra para um melhor controlo. Quando possível deixe o peso da serra apoiar-se sobre o tronco.

Desloque-se somente quando o tronco estiver entre si e a moto-serra.

Corte do tronco em toros

Ver as instruções na secção Técnica básica de serração.

Noções gerais

O utente só pode efectuar trabalhos de manutenção e assistência do tipo descrito nestas instruções. Intervenções maiores devem ser efectuadas por uma oficina autorizada.

Afinação do carburador

O seu produto Jonsered foi construído e fabricado seguindo especificações que reduzem a emissão de gases prejudiciais.

Funcionamento

- Através do acelerador, o carburador comanda a rotação do motor. No carburador mistura-se ar/combustível. Esta mistura ar/combustível é ajustável. Para aproveitar a máxima potência da máquina, a regulação deverá estar correcta.
- O parafuso T regula a posição do acelerador na marcha em vazio. Rodando o parafuso T no sentido horário, aumenta a rotação da marcha em vazio e rodando no sentido anti-horário, diminui a rotação da marcha em vazio.

Regulação básica e rodagem

No banco de provas da fábrica faz-se uma regulação básica do carburador. A afinação final tem que ser efectuada por um profissional competente.

Rotação em vazio recomendada: Ver o capítulo Especificações técnicas.

Afinação da marcha em vazio T

A regulação da marcha em vazio faz-se com o parafuso com a marca T. Se for necessária uma regulação, aparafuse (no sentido horário) o parafuso da marcha em vazio T com o motor em funcionamento até que a corrente comece a girar. Depois abra (no sentido anti-horário), até que a corrente esteja parada. A regulação correcta da rotação da marcha em vazio é atingida quando o motor trabalhar uniformemente em todas as posições com boa folga para a rotação em que a corrente começa a girar.



ATENÇÃO! Se a rotação da marcha em vazio não puder ser ajustada de modo que a corrente fique parada, consulte o serviço de assistência técnica. Não use a moto-serra antes de correctamente regulada ou reparada.

Controlo, manutenção e assistência ao equipamento de segurança da moto-serra

Observe! Todas as reparações e assistência técnica à máquina requerem formação especializada. Isto aplica-se especialmente ao equipamento de segurança da máquina. Se a máquina não satisfizer os controlos abaixo relacionados, consulte a sua oficina especializada. Toda a manutenção além da mencionada neste livro deve ser feita pelo serviço de assistência técnica autorizada (concessionários).

Antes de efectuar serviços de reparação e manutenção, desligue o motor e desmonte o cabo de ignição.

Travão de corrente com protector anti-retrocesso

Controlo do desgaste da cinta de travagem

Limpe o travão de corrente e o tambor de fricção, removendo serragem, resina e sujidades. Excesso de sujidades e desgaste prejudicam a função de travagem. **(45)**

Controle periodicamente se restam pelo menos 0,6 mm da espessura da cinta nas partes de maior desgaste.

Controlo da protecção anti-retrocesso

Verifique se a protecção anti-retrocesso está completa e sem defeitos aparentes, p. ex., rachaduras no material. Mova a protecção anti-retrocesso para a frente e para trás, controlando assim se esta funciona a contento e também se está solidamente fixa à sua articulação na cobertura de acoplamento. **(46)**

Controlo da função de accionamento por inércia

Segure a motosserra, com o motor desligado, sobre um toco ou outro objecto estável. Solte o punho dianteiro e deixe a motosserra cair com o próprio peso, girando sobre o punho traseiro, de encontro ao toco.

Quando a ponta da lâmina encontrar o cepo, o travão deverá entrar em funcionamento. (47)

Controlo da acção de travagem

Coloque a moto-serra numa base sólida e ponha-a a trabalhar. Mantenha a corrente afastada do solo ou outro objecto. Ver instruções no capítulo Arranque e paragem.

Segure a moto-serra numa posição firme, com os polegares e dedos à volta do punho.

Acelere ao máximo e active o travão de corrente, virando o pulso esquerdo contra a protecção anti-retrocesso. Não solte o punho dianteiro. **A corrente deverá parar imediatamente.**

Bloqueio do acelerador

- Verifique se o acelerador está fixo na posição marcha em vazio quando o bloqueio de acelerador estiver na sua posição original.
- Comprima o bloqueio do acelerador e verifique se este retorna à sua posição original quando libertado.
- Verifique se o acelerador e o bloqueio do acelerador funcionam com facilidade e se os seus respectivos sistemas de mola de retorno funcionam.
- Arranque com a moto-serra e acelere ao máximo. Solte o acelerador e verifique se a corrente pára e se continua imóvel. Se a corrente girar com o acelerador na posição marcha em vazio, o ajuste da marcha em vazio do carburador deverá ser controlado.

Retentor de corrente

Verifique se o retentor de corrente está completo e se está fixo ao corpo da moto-serra.

Protector da mão direita

Verifique se o protector da mão direita está completo e sem defeitos aparentes, p. ex., rachaduras no material.

Sistema anti-vibração

Verifique periodicamente os elementos anti-vibração quanto a rachaduras no material e deformações.

Verifique se os elementos anti-vibração estão fixos entre a parte do motor e a parte dos punhos.

Contacto de paragem

Arranque o motor e verifique se este se desliga quando o contacto de paragem é levado à posição de paragem.

Silenciador

Nunca use uma máquina com silenciador defeituoso.

Verifique regularmente se o silenciador está fixo à máquina.

Observe: A rede retentora de faíscas (A) desta máquina pode ser substituída. **(48)** No caso de eventuais danos na rede, esta deverá ser trocada. Uma rede obstruída causa sobreaquecimento na máquina danificando o cilindro e o pistão. Nunca use a máquina se tiver um silenciador em mau estado. **Nunca use um silenciador sem abafa-chamas ou com abafa-chamas defeituoso.**

Para o utilizador amador, o silenciador e a rede retentora de faíscas não requerem substituição.

Filtro de ar

O filtro de ar deve ser limpo regularmente, removendo-se poeira e sujidades de modo a evitar:

- Distúrbios no carburador
- Problemas de arranque
- Diminuição de potência
- Desgaste inútil das peças do motor.
- Consumo de combustível fora do normal.
- O filtro de ar (3) é desmontado após a cobertura do cilindro, parafuso (1) e a cobertura do filtro de ar (2) terem sido desmontadas. Ao montar, verificar se o filtro de ar veda bem contra o suporte de filtro. Limpar o filtro sacudindo-o ou com uma escova. **(49)**

Uma limpeza mais completa obtém-se ao lavar o filtro com água e sabão.

Um filtro de ar usado por longo tempo nunca pode ficar completamente limpo. Por isso o filtro deve, a intervalos regulares, ser trocado por um novo. **Um filtro danificado deve sempre ser substituído.**

Vela de ignição

O funcionamento da vela de ignição é sensível a:

- Carburador incorrectamente regulado.
- Uma mistura incorrecta de óleo no combustível (óleo a mais ou de tipo errado).
- Filtro de ar sujo.

Esses factores causam a formação de crostas nos eléctrodos da vela de ignição e podem ocasionar problemas no funcionamento e dificuldades em arrancar.

Se a potência da máquina for baixa, se for difícil de arrancar ou a marcha em vazio for inconstante: verifique sempre a vela de ignição, antes de tomar outras providências. Se a vela estiver suja, limpe-a e verifique se a folga entre os eléctrodos é de 0,5 mm. A vela de ignição deve ser trocada após um funcionamento de cerca de um mês ou mais cedo se necessário. **(50)**

Observe! Use sempre o tipo de vela de ignição recomendado! Uma vela de ignição incorrecta pode danificar o pistão/cilindro. Verifique se a vela de ignição não produz interferências de rádio.

Esquema de manutenção

Abaixo segue uma lista dos cuidados a ter com a máquina. A maioria dos pontos encontram-se descritos na secção Manutenção.

Controle diário (Cada 5-10 h)	Controle semanal (Cada 10-25 h)	Controle mensal (Cada 25-40 h)
Limpe a máquina externamente.	Verifique o dispositivo de arranque, a sua corda e mola de retorno.	Verificar a lona de freio do travão da corrente com vista a desgaste. Substituir quando a espessura for inferior a 0,6 mm no sítio mais gasto.
Verifique se todos os componentes do acelerador funcionam em segurança. (Bloqueio de acelerador e acelerador.)	Verifique se os isoladores de vibração estão danificados.	Verifique o desgaste no centro, tambor e mola de acoplamento.
Limpe o travão de corrente e controle o seu funcionamento em segurança. Verifique se o retentor de corrente está intacto, troque se necessário.	Remova com a lima eventuais rebarbas nas laterais da lâmina.	Limpe a vela de ignição. Verifique a folga entre os eléctrodos, 0,5 mm.
A lâmina deverá ser virada diariamente para um desgaste mais homogéneo. Verifique se o orifício de lubrificação da lâmina está obstruído. Limpe a ranhura da lâmina. Se a lâmina estiver equipada com um rolete na extremidade, lubrifique-o.	Limpe o compartimento do carburador.	Limpe o carburador exteriormente.
Verifique se a lâmina e a corrente recebem óleo suficiente.	Limpe o filtro de ar. Troque se necessário.	Verifique o filtro e o tubo de combustível. Troque se necessário.
Verificar se a corrente da serra tem fissuras visíveis nos rebites e elos, se a corrente está rígida e se os rebites e elos estão muito gastos. Se necessário, substituir.		Esvaziar o depósito de combustível e lavá-lo por dentro.
Afie a corrente e verifique a sua tensão e estado. Verifique se o pinhão da corrente não está com desgaste anormal e troque se necessário.		Esvaziar o depósito de óleo e lavá-lo por dentro.
Limpe a entrada de ar do dispositivo de arranque.		Verifique todos os cabos e conexões.
Verifique se os parafusos e porcas estão apertados.		
Verifique se o contacto de paragem funciona.		
Verifique se não há fuga de combustível do motor, depósito ou tubagem de combustível.		

Especificações técnicas

	CS 2234	CS 2238
Motor		
Cilindrada, cm ³	38	38
Curso do pistão, mm	32	32
Rotação em vazio, r/min.	3000	3000
Potência, kW	1,4/9000	1,5/9000
Sistema de ignição		
Vela de ignição	Champion RCJ 7Y	Champion RCJ 7Y
Folga dos eléctrodos, mm	0,5	0,5
Sistema de combustível/lubrificação		
Capacidade do depósito, litros	0,3	0,3
Capacidade da bomba de óleo a 8.500 r/min, ml/min	7	7
Volume do depósito de óleo, litros	0,19	0,19
Tipo de bomba de óleo	Automática	Automática
Peso		
Moto-serra sem lâmina e corrente, depósitos vazios, kg	4,7	4,7
Emissões de ruído (ver obs. 1)		
Nível de potência sonora, medido em dB(A)	115	115
Nível de potência sonora, L _{WA} garantido dB(A)	118	118
Níveis acústicos (ver obs. 2)		
Nível de pressão sonora equivalente junto ao ouvido do utente, dB(A)	100,6	100,6
Níveis de vibração equivalentes, a_{hveq} (ver nota 3)		
Punho dianteiro, m/s ²	3,7	3,7
Punho traseiro, m/s ²	5,1	5,1
Corrente/lâmina		
Comprimento de lâmina standard, pol/cm	14/35, 16/40	14/35, 16/40
Comprimentos de lâmina recomendados, pol/cm	14/35, 16/40	14/35, 16/40
Comprimento de corte efectivo, pol/cm	13,5/34, 15,5/39	13,5/34, 15,5/39
Passo, pol/mm	3/8 / 9,52	3/8 / 9,52
Espessura do elo de condução, pol/mm	0,050/1,3	0,050/1,3
Tipo de pinhão/n.º de dentes	6	6
Velocidade da corrente a potência máx, m/s	17,1	17,1

Obs.1: Emissões sonoras para as imediações, medidas sob forma de potência sonora (L_{WA}) conforme a directiva da CE 2000/14/CE.




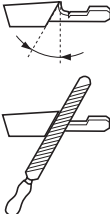

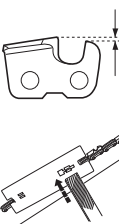
Nota 2: O nível de pressão de ruído equivalente, segundo a norma ISO 22868, é calculado como a soma da energia ponderada no tempo dos diferentes níveis de pressão sonora, em diferentes condições de funcionamento. A dispersão estatística típica do nível de pressão do ruído equivalente é um desvio padrão de 1 dB (A).

Nota 3: O nível de vibrações equivalente, segundo a norma ISO 22867, é calculado como a soma da energia ponderada no tempo dos níveis de vibração, em diferentes condições de funcionamento. Os dados registados para o nível de vibração equivalente têm uma dispersão estatística típica (desvio padrão) de 1 m/s².

Combinações de lâmina e corrente

O equipamento de corte seguinte foi aprovado para os modelos Jonsered CS 2234 e CS 2238.

Lâmina				Corrente	
Comprimento, pol	Passo, pol	Largura do sulco, mm	N.º máx. de dentes no rolete da ponta da lâmina	Tipo	Comprimento, elementos de accionamento (qtd.)
14	3/8	1,3	7T	Jonsered H37	52
16	3/8		7T		56
18	3/8		7T		62

					
inch/mm			inch/mm		
H37	5/32/4,0	80°	30°	0°	0.025/0,65

Certificado CE de conformidade

(V lido unicamente na Europa)

Nós, **Jonsered**, SE-561 82 Huskvarna, Suécia, telefone n.º: +46-36-146500, declaramos ser de nossa inteira responsabilidade que os produtos moto-serra **Jonsered CS 2234 e CS 2238** a que se refere esta declaração, com números de série do ano de 2009 e seguintes (o ano é claramente identificado na etiqueta de tipo, seguido de um número de série) estão conforme os requisitos da DIRECTRIZ DO CONSELHO:

- de 17 de Maio de 2006 "referente a máquinas" **2006/42/CE**.
- de 15 de Dezembro de 2004 "referente a compatibilidade electromagnética" **2004/108/CEE**.
- de 8 de Maio de 2000 "referente à emissões sonoras para as imediações" **2000/14/CE**.

Para informações referentes às emissões sonoras, ver o capítulo Especificações técnicas. Foram respeitadas as normas seguintes: **EN ISO 12100-2:2003**, **CISPR 12:2001**, **EN ISO 11681-1:2004**

Entidade competente: **0404, SMP Svensk Maskinprovning AB**, Fyrisborgsgatan 3, SE-754 50 Uppsala, Suécia, executou o controle de tipo da CE segundo a directiva de máquina (2006/42/CE) artigo 12, alínea 3b. O certificado do controle de tipo da CE conforme anexo IX têm o número: **0404/09/2048**.

Além disso, SMP, Svensk Maskinprovning AB, Fyrisborgsgatan 3, SE-754 50 Uppsala, Suécia, emitiu certificado de conformidade com o anexo V da directiva do conselho de 8 de Maio de 2000 "referente a emissões sonoras para as imediações" 2000/14/CE. Os certificados têm os números: **26/161/003** - CS 2234, **26/161/004** - CS 2238.

A moto-serra fornecida está em conformidade com a que foi apresentada para controle de tipo da CE.

Huskvarna, 29 de Dezembro de 2009



Ronnie E. Goldmann, Director técnico. (Representante autorizado da Husqvarna AB e responsável pela documentação técnica).

Αγαπητέ πελάτη!

Συγχαρητήρια για την επιλογή σας να αγοράσετε ένα προϊόν της Jonsered!

Είμαστε βέβαιοι ότι θα εκτιμήσετε και θα ικανοποιηθείτε από την ποιότητα και την απόδοση του προϊόντος μας για μεγάλο χρονικό διάστημα. Με την αγορά ενός από τα προϊόντα μας προσφέρεται η δυνατότητα παροχής εξειδικευμένης βοήθειας σε περίπτωση βλαβών και για την επισκευή τους. Αν η αντιπροσωπεία που αγοράσατε το μηχάνημα δεν διαθέτει εξουσιοδοτημένο συνεργείο, τότε ρωτήστε τη πού θα βρείτε το πλησιέστερο συνεργείο εξυπηρέτησης.

Ελπίζουμε να μείνετε ικανοποιημένοι από το μηχάνημά σας και ότι θα γίνει ο βοηθός σας που θα σας συνοδεύει για μεγάλο χρονικό διάστημα. Θεωρήστε αυτό το εγχειρίδιο οδηγιών σαν ένα πολύτιμο βοήθημα. Τηρώντας όσα αναφέρονται σε αυτό (χρήση, επισκευή, συντήρηση, κλπ.) μπορείτε αισθητά να επιμηκύνετε τη ζωή του καθώς και την μεταπωλητική του αξία. Αν πούλησετε το μηχάνημά σας, φροντίστε να δώσετε στον νέο κάτοχο και το εγχειρίδιο οδηγιών.

Καλή επιτυχία με τη χρήση του νέου σας προϊόντος της Jonsered!

H Jonsered αναπτύσσει συνεχώς τα προϊόντα της και για το λόγο αυτό επιφυλάσσει στον εαυτό της το δικαίωμα τροποποιήσεων πχ. ως προς το σχεδιασμό και την εμφάνιση, χωρίς προειδοποίηση.

Σύμβολα πάνω στο μηχάνημα:

ΠΡΟΕΙΔΟΠΟΙΗΣΗ! Τα αλυσοπρίονα μπορεί να γίνουν επικίνδυνα! Η απρόσεκτη ή λανθασμένη χρήση μπορεί να έχει ως αποτέλεσμα σοβαρό ή θανάσιμο τραυματισμό του χειριστή ή άλλων ατόμων.

Διαβάστε προσεκτικά τις Οδηγίες χρήσεως και κατανοήστε το περιεχόμενο πριν χρησιμοποιήσετε το μηχάνημα.

Χρησιμοποιείτε πάντοτε:

- Εγκεκριμένα προστατευτικά κράνος
- Εγκεκριμένα προστατευτικά μέσα ακοής
- Προστατευτικά γυαλιά ή δικτυωτή μάσκα

Αυτό το προϊόν είναι σύμφωνο με τις ισχύουσες οδηγίες της ΕΚ.

Εκπομπές θορύβων στο περιβάλλον σύμφωνα με την Οδηγία της Ευρωπαϊκής Κοινότητας (ΕΚ). Οι εκπομπές του μηχανήματος αναφέρονται στο κεφάλαιο Τεχνικά χαρακτηριστικά και σε πινακίδα.

Και τα δύο χέρια του χειριστή πρέπει να χρησιμοποιούνται για το χειρισμό του αλυσοπρίονου.

Μην χειρίζεστε ποτέ το αλυσοπρίονο, κρατώντας το μόνο με το ένα χέρι.

Η επαφή της άκρης της λάμας με οποιοδήποτε αντικείμενο πρέπει να αποφεύγεται.

ΠΡΟΕΙΔΟΠΟΙΗΣΗ! Μπορεί να προκληθεί κλάτσημα όταν η μύτη της λάμας έρθει σε επαφή με ένα αντικείμενο και να επέλθει μια αντίδραση που τινάζει τη λάμα προς τα πάνω και πίσω προς τον χειριστή. Αυτό μπορεί να προκαλέσει σοβαρό ατομικό τραυματισμό.

Φρένο αλυσίδας ενεργοποιημένο (αριστερά)
Φρένο αλυσίδας απενεργοποιημένο (δεξιά)



Τα υπόλοιπα σύμβολα/επιγραφές του μηχανήματος αναφέρονται σε ειδικές απαιτήσεις για εκπλήρωση προδιαγραφών έγκρισης σε ορισμένες αγορές.

Τι είναι τι στο αλυσοπρίο; (1)

1	Αυτοκόλλητο ενημερωτικό και προειδοποιητικό σήμα
2	Καπάκι κυλίνδρου
3	Αντλία καυσίμου
4	Λαβή σχοινιού εκκίνησης
5	Ρυθμιστής τσοκ/ασφάλεια γκαζιού
6	Διακόπτης Στοπ (Ανοίγμα/κλείσιμο ανάφλεξης.)
7	Πίσω χειρολαβή
8	Ρεζερβουάρ καυσίμου
9	Ρυθμιστικές βίδες, καρμπρατέρ
10	Μηχανισμός εκκίνησης
11	Ρεζερβουάρ λαδιού αλυσίδας
12	Πινάκida προϊόντος και αύξοντος αριθμού
13	Ασφάλεια γκαζιού (Εμποδίζει το αθέλητο μαρσάρισμα.)
14	Μπροστινή χειρολαβή
15	Προφυλακτήρας τινάγματος
16	Σιγαστήρας
17	Οδηγός
18	Ακραίος τροχός οδηγού
19	Αλυσίδα πριονίσματος
20	Οδοντωτός προφυλακτήρας
21	Ασφάλεια συγκράτησης αλυσίδας
22	Βίδα τεντώματος αλυσίδας
23	Καπάκι συμπλέκτη
24	Πίσω χειρολαβή με δεξιόχειρη προστασία
25	Ρυθμιστής γκαζιού
26	Οδηγίες χρήσεως
27	Σύνθετο κλειδί
28	Θήκη προστασίας οδηγού

Περιεχόμενα

ΕΙΣΑΓΩΓΗ	
Αγαπητέ πελάτη!	165
Σύμβολα πάνω στο μηχάνημα:	165
Τι είναι τι στο αλυσοπρίο;	166
ΠΕΡΙΕΧΟΜΕΝΑ	
Περιεχόμενα	166
ΓΕΝΙΚΕΣ ΟΔΗΓΙΕΣ ΑΣΦΑΛΕΙΑΣ	
Ενέργειες πριν θέσετε σε λειτουργία ένα καινούργιο πρίοι	167
Σημαντικό	167
Χρησιμοποιείτε πάντοτε κοινή λογική	167
Ατομικός προστατευτικός εξοπλισμός	168
Προστατευτικός εξοπλισμός του μηχανήματος .	168
Κοπτικός εξοπλισμός	170
ΣΥΝΑΡΜΟΛΟΓΗΣΗ	
Μοντάρισμα οδηγού και αλυσίδας	174
ΦΡΟΝΤΙΔΑ ΚΑΥΣΙΜΩΝ	
Μίγμα καυσίμου	174
Γέμισμα ρεζερβουάρ	175
Ασφάλεια καυσίμων	175
ΞΕΚΙΝΗΜΑ ΚΑΙ ΣΤΑΜΑΤΗΜΑ	
Ξεκίνημα και σταμάτημα	176
ΤΕΧΝΙΚΗ ΕΡΓΑΣΙΑΣ	
Πριν από οποιαδήποτε χρήση:	177
Γενικές οδηγίες εργασίας	177
Ενέργειες πρόληψης τινάγματος	181
ΣΥΝΤΗΡΗΣΗ	
Γενικά	182
Ρύθμιση καρμπρατέρ	182
Έλεγχος, συντήρηση και σέρβις του προστατευτικού εξοπλισμού του αλυσοπρίοιου	182
Σιγαστήρας	183
Φίλτρο αέρα	183
Μπουζί	183
Πρόγραμμα συντήρησης	184
ΤΕΧΝΙΚΑ ΣΤΟΙΧΕΙΑ	
Τεχνικά στοιχεία	185
Συνδυασμοί οδηγού και αλυσίδας	186
ΕΚ–Βεβαίωση συμφωνίας	186

Ενέργειες πριν θέσετε σε λειτουργία ένα καινούργιο πριόνι

- Διαβάστε προσεκτικά όλες τις οδηγίες χρήσεως.
- **(1) - (50)** παραπέμπει σε εικόνες στις σελίδες, 2-5.
- Ελέγξτε τη συναρμολόγηση και τη ρύθμιση του κοπτικού εξοπλισμού. Βλ. τις οδηγίες στο κεφάλαιο Συναρμολόγηση.
- Βάλτε καύσιμο και ξεκινήστε το αλυσοπριόνιο. Βλέπε οδηγίες κάτω από τις επικεφαλίδες Χειρισμός καυσίμου και Εκκίνηση και Σταμάτημα.
- Μη χρησιμοποιήσετε το αλυσοπριόνιο μέχρις ότου η αλυσίδα καλυφθεί με το λιπαντικό της λάδι. Βλ. τις οδηγίες στο κεφάλαιο Λάδιωμα κοπτικού εξοπλισμού.
- Η μακρόχρονη έκθεση σε θόρυβο μπορεί να προκαλέσει μόνιμη βλάβη στην ακοή. Θα πρέπει πάντα να λαμβάνετε μέτρα προστασίας της ακοής σας.



ΠΡΟΕΙΔΟΠΟΙΗΣΗ! Χωρίς άδεια του κατασκευαστή, σε καμία περίπτωση δεν επιτρέπεται μετατροπή του μηχανήματος σε σχέση με την αρχική του κατασκευή. Χρησιμοποιείτε πάντοτε γνήσια ανταλλακτικά. Μη εγκεκριμένες μετατροπές και/ή ανταλλακτικά μπορεί να έχουν ως συνέπεια σοβαρό ή θανατηφόρο τραυματισμό του χειριστή ή άλλων ατόμων.



ΠΡΟΕΙΔΟΠΟΙΗΣΗ! Ένα αλυσοπριόνιο που χρησιμοποιείται απρόσεχτα ή λαθεμένα μπορεί να μετατραπεί σε επικίνδυνο εργαλείο, και μπορεί να προκαλέσει σοβαρό ή ακόμη και θανατηφόρο τραυματισμό. Είναι πολύ σημαντικό να μελετήσετε και να κατανοήσετε το περιεχόμενο αυτών των οδηγιών χρήσεως.



ΠΡΟΕΙΔΟΠΟΙΗΣΗ! Στο εσωτερικό του σιγαστήρα περιέχονται χημικά που μπορεί να είναι καρκινογόνα. Στην περίπτωση κατεστραμμένου σιγαστήρα, αποφύγετε την επαφή με αυτά τα στοιχεία.



ΠΡΟΕΙΔΟΠΟΙΗΣΗ! Εισπνοή καυσαερίων κινητήρα, ομίχλης λαδιών αλυσίδας και σκόνης πριονιδιών για μεγάλο διάστημα μπορεί να προκαλέσει βλάβη στην υγεία σας.



ΠΡΟΕΙΔΟΠΟΙΗΣΗ! Το μέχانهμα αυτό παράγει ηλεκτρομαγνητικό πεδίο κατά τη διάρκεια της λειτουργίας. Το πεδίο αυτό, υπό ορισμένες συνθήκες, ενδέχεται να προκαλεί παρεμβολές σε ενεργά ή παθητικά ιατρικά εμφυτεύματα. Προκειμένου να μειωθεί ο κίνδυνος σοβαρού ή θανατηφόρου τραυματισμού, συνιστούμε στα άτομα με ιατρικά εμφυτεύματα να συμβουλευτούν τον θεράποντα ιατρό τους και τον κατασκευαστή του ιατρικού εμφυτεύματος, πριν θέσουν το μέχانهμα σε λειτουργία.

Σημαντικό

ΣΗΜΑΝΤΙΚΟ!

Το μηχάνημα είναι κατασκευασμένο αποκλειστικά για κόψιμο σε ξύλα.

Πρέπει αποκλειστικά να χρησιμοποιείτε τους συνδυασμούς λάμας/αλυσίδας που συνιστούμε στο κεφάλαιο Τεχνικά Στοιχεία.

Ποτέ μην δουλεύετε το πριόνι όταν είστε κουρασμένοι, έχετε πειε αλκοόλ ή παίρνετε φάρμακα που επηρεάζουν την όρασή σας, την κρίση σας ή τον έλεγχο του σώματός σας.

Χρησιμοποιείτε ατομικό προστατευτικό εξοπλισμό. Βλ. τις οδηγίες στο κεφάλαιο Ατομικός προστατευτικός εξοπλισμός.

Μην κάνετε ποτέ μετατροπές σε αυτό το μηχάνημα έτσι ώστε να διαφέρει από την αρχική του έκδοση, και μην το χρησιμοποιήσετε αν φαίνεται να έχει υποστεί μετατροπές από τρίτους.

Ποτέ μην χρησιμοποιείτε ελαττωματικό μηχάνημα. Ακολουθήστε τις οδηγίες συντήρησης, ελέγχου και σέρβις αυτού του βιβλίου. Ορισμένες εργασίες συντήρησης και σέρβις πρέπει να γίνονται από ειδικευμένο προσωπικό. Βλ. τις οδηγίες στο κεφάλαιο Συντήρηση.

Μην χρησιμοποιήσετε ποτέ άλλα εξαρτήματα απ' αυτά που συστήνουμε σ' αυτόν τον οδηγό. Βλ. τις οδηγίες στο κεφάλαιο Κοπτικός εξοπλισμός και το κεφάλαιο Τεχνικά στοιχεία.

ΠΡΟΣΟΧΗ! Χρησιμοποιείτε πάντοτε προστατευτικά γυαλιά ή προστατευτικό πρόσωπο για να μειώσετε τον κίνδυνο τραυματισμού από εκτοξευμένα αντικείμενα. Ένα αλυσοπριόνιο είναι ικανό να εκτοξεύσει αντικείμενα, όπως πριονίδια, μικρά κομμάτια ξύλου, κλπ., με μεγάλη δύναμη. Κάτι τέτοιο μπορεί να προκαλέσει σοβαρό τραυματισμό, ιδίως στα μάτια.



ΠΡΟΕΙΔΟΠΟΙΗΣΗ! Αν λειτουργήσετε το μηχάνημα σε κλειστό ή κακά αεριζόμενο χώρο μπορεί να προκαλέσετε θάνατο από ασφυξία ή δηλητηρίαση από μονοξείδιο του άνθρακα.



ΠΡΟΕΙΔΟΠΟΙΗΣΗ! Ένας λανθασμένος κοπτικός εξοπλισμός ή ένας λανθασμένος συνδυασμός λάμας/αλυσίδας αυξάνει τον κίνδυνο κλωστήματος! Χρησιμοποιήστε αποκλειστικά τους συνδυασμούς λάμας/αλυσίδας που προτείνουμε, καθώς και την οδηγία τροχίσματος. Βλέπε οδηγίες κάτω από την επικεφαλίδα Τεχνικά στοιχεία.

Χρησιμοποιείτε πάντοτε κοινή λογική (2)

Είναι αδύνατο να καλύψουμε όλες τις πιθανές καταστάσεις που μπορείτε να αντιμετωπίσετε κατά την χρήση του αλυσοπριονίου. Να είστε πάντοτε προσεκτικοί και να χρησιμοποιείτε κοινή λογική. Αποφεύγετε καταστάσεις όπου θεωρείτε ότι δεν έχετε επαρκή προσόντα. Αν είστε ακόμη αβέβαιοι σχετικά με τον τρόπο χειρισμού, αφού έχετε διαβάσει αυτές τις οδηγίες, θα πρέπει να συμβουλευτείτε έναν ειδικό πριν συνεχίσετε. Μην διστάσετε να έρθετε σε επαφή με τον

επίσημο αντιπρόσωπο ή με εμάς αν έχετε ερωτήσεις σχετικά με τη χρήση του αλυσοπρίονου. Είμαστε ευχαρίστως στη διάθεσή σας και σας παρέχουμε συμβουλές που σας βοηθούν να χρησιμοποιήσετε καλύτερα και ασφαλέστερα το αλυσοπρίονό σας. Ευχαρίστως να κάνετε εκπαίδευση στη χρήση αλυσοπρίονου. Ο επίσημος αντιπρόσωπος, μια δασοκομική σχολή ή η δημοτική βιβλιοθήκη μπορούν να σας ενημερώσουν σχετικά με το εκπαιδευτικό υλικό ή με τα μαθήματα που είναι διαθέσιμα. Είναι διαρκώς εν εξελίξει η εργασία σχεδιαστικών και τεχνικών βελτιώσεων που αυξάνουν την ασφάλεια και την αποτελεσματικότητά σας. Να επισκέπτεστε τακτικά τον αντιπρόσωπό σας για να βλέπετε τι οφέλη έχετε από τους νεωτερισμούς που παρουσιάζονται.

Ατομικός προστατευτικός εξοπλισμός



ΠΡΟΕΙΔΟΠΟΙΗΣΗ! Τα περισσότερα ατυχήματα με αλυσοπρίονα συμβαίνουν όταν η αλυσίδα χτυπήσει το χειριστή. Σε οποιαδήποτε χρήση του μηχανήματος πρέπει να χρησιμοποιείτε εγκεκριμένο ατομικό προστατευτικό εξοπλισμό. Ο ατομικός προστατευτικός εξοπλισμός δεν εξουδετερώνει τον κίνδυνο τραυματισμού, παρά μειώνει τα αποτελέσματα ενός τραύματος σε περίπτωση ατυχήματος. Ζητήστε από τον έμπορο να σας βοηθήσει στην εκλογή προστατευτικού εξοπλισμού.

- Εγκεκριμένο προστατευτικό κράνος
- Προστασία ακοής
- Προστατευτικά γυαλιά ή δικτυωτή μάσκα
- Γάντια με προστασία από πριόνι
- Παντελόνια με προστασία πριονίσματος
- Μπότες με προστασία από πριόνι, μεταλλικά ψιδια και αντιολισθητική σόλα
- Έχετε πάντοτε μαζί σας κιβώτιο πρώτων βοηθειών.
- Πυροσβεστήρας και φτυάρι

Τα ρούχα γενικώς πρέπει να είναι εφαρμοστά χωρίς να περιορίζουν την ελευθερία κινήσεων.

ΣΗΜΑΝΤΙΚΟ! Σπινθήρες μπορεί να προέλθουν από το σιγαστήρα, τη λάμα και την αλυσίδα ή από άλλη πηγή. Να έχετε πάντοτε προσιτά εργαλεία πυρόσβεσης σε περίπτωση που τα χρειαστείτε. Έτσι βοηθάτε στην πρόληψη των πυρκαγιών δασικών εκτάσεων.

Προστατευτικός εξοπλισμός του μηχανήματος

Σε αυτό το κεφάλαιο εξηγείται ποια είναι τα εξαρτήματα ασφαλείας του μηχανήματος καθώς και ο ρόλος τους. Για έλεγχο και συντήρηση βλέπε οδηγίες κάτω από την επικεφαλίδα Έλεγχος, συντήρηση και επισκευή εξοπλισμού ασφαλείας του αλυσοπρίονου. Βλέπε οδηγίες κάτω από την επικεφαλίδα Πως λέγεται αυτό; για να εντοπίσετε που ακριβώς είναι τοποθετημένα στο μηχανήμα σας αυτά τα εξαρτήματα.

Η διάρκεια ζωής της μηχανής μπορεί να μειωθεί ενώ και ο κίνδυνος για ατυχήματα είναι μεγαλύτερος στην περίπτωση που δεν πραγματοποιείται η σωστή συντήρηση της μηχανής καθώς και εάν η επισκευή δε γίνεται με επαγγελματικό τρόπο. Εάν θέλετε περισσότερες πληροφορίες, επικοινωνήστε με το πλησιέστερο συνεργείο.



ΠΡΟΕΙΔΟΠΟΙΗΣΗ! Ποτέ μη χρησιμοποιείτε ένα μηχανήμα με ελαττωματικό εξοπλισμό ασφαλείας. Ο εξοπλισμός ασφαλείας θα πρέπει να ελέγχεται και να συντηρείται. Βλέπε οδηγίες κάτω από την επικεφαλίδα Έλεγχος, συντήρηση και επισκευή εξοπλισμού ασφαλείας του αλυσοπρίονου. Αν το μηχανήμα σας δεν περνά όλους τους ελέγχους θα πρέπει να το πάτε σε συνεργείο επισκευής.

Αλυσόφρενο με προφυλακτήρα τινάγματος

Το αλυσοπρίονο είναι εφοδιασμένο με φρένο αλυσίδας, που είναι φτιαγμένο για να ακινητοποιεί την αλυσίδα σε κλώστια. Ένα φρένο αλυσίδας μειώνει τον κίνδυνο ατυχημάτων, αλλά μόνο Εσείς ως χρήστες μπορείτε να τα εμποδίσετε.

Να είστε προσεχτικοί στο χειρισμό και να φροντίζετε ώστε η περιοχή τινάγματος του οδηγού να μην έρχεται ποτέ σε επαφή με αντικείμενα.

- Το φρένο αλυσίδας (A) ενεργοποιείται είτε με το χέρι (μέσω του αριστερού) είτε με τη λειτουργία της αδράνειας. **(3)**
- Η ενεργοποίηση πραγματοποιείται όταν ο προφυλακτήρας (B) μετακινείται προς τα εμπρός. **(3)**
- Αυτή η κίνηση ενεργοποιεί έναν μηχανισμό σφιγμένο με ελατήριο, ο οποίος σφίγγει την ταινία φρένου (C) γύρω από το σύστημα κίνησης της αλυσίδας (D) (ταμπύρορ συμπλέκτη). **(4)**
- Ο προφυλακτήρας τινάγματος δεν είναι σχεδιασμένος μόνο για ενεργοποίηση του αλυσόφρενου. Ένα άλλο σημαντικό χαρακτηριστικό του είναι ότι μειώνει τον κίνδυνο να χτυπήσει η αλυσίδα το αριστερό χέρι, εάν το δεξί χέρι χάσει το κράτημα της μπροστινής χειρολαβής.
- Το φρένο αλυσίδας θα πρέπει να είναι ενεργοποιημένο όταν μπαίνει σε εκκίνηση το αλυσοπρίονο για να εμποδίσει η περιστροφή της αλυσίδας.
- Χρησιμοποιήστε το φρένο αλυσίδας ως "χειρόφρενο" κατά την εκκίνηση ή για μικρές μετακινήσεις, για να εμποδίσετε ατυχήματα όπου ο χρήστης ή ο περιγυρός μπορούν άθελά τους να έρθουν σε επαφή με την αλυσίδα σε περιστροφή.
- Το αλυσόφρενο απελευθερώνεται τραβώντας τον προφυλακτήρα τινάγματος πίσω, προς την μπροστινή χειρολαβή.
- Τα τινάγματα μπορεί να είναι αστραπιαία και πολύ βίαια. Τα περισσότερα τινάγματα είναι μικρά και δεν ενεργοποιούν πάντοτε το αλυσόφρενο. Σε τέτοια τινάγματα θα πρέπει να κρατάτε σταθερά το αλυσοπρίονο και να μην το αφήνετε.

- Το πώς ενεργοποιείται το αλυσόφρενο, με το χέρι ή την αδράνεια, εξαρτάται από τη δύναμη του τινάγματος, καθώς και από τη θέση του αλυσοπριόνου σε σχέση με το αντικείμενο με το οποίο ήρθε σε επαφή η περιοχή τινάγματος του οδηγού.
- Σε βίαια κλωστήματα και όπου ο τομέας κινδύνου κλωστήματος της λάμας βρίσκεται όσο το δυνατόν πιο μακριά από το χρήστη, το φρένο αλυσίδας είναι έτσι κατασκευασμένο ώστε να ενεργοποιείται μέσω του αντίβαρου του φρένου αλυσίδας (αδράνεια) στην κατεύθυνση του κλωστήματος.
- Σε λιγότερο δυνατά τινάγματα ή όταν η περιοχή τινάγματος του οδηγού βρίσκεται κοντά στο χειριστή, το αλυσόφρενο ενεργοποιείται με το αριστερό χέρι.
- Σε θέση ριξίματος το αριστερό χέρι είναι σε τέτοια θέση που κάνει αδύνατη την ενεργοποίηση του φρένου αλυσίδας με το χέρι. Σε αυτού του είδους τις λάβες, δηλαδή όταν το αριστερό χέρι είναι τοποθετημένο έτσι ώστε να μην μπορεί να επηρεάσει την κίνηση της προστασίας κλωστήματος, μπορεί να ενεργοποιηθεί το φρένο αλυσίδας μόνο μέσω της λειτουργίας της αδράνειας.

Θα μπορεί πάντοτε το χέρι μου να ενεργοποιεί το φρένο αλυσίδας σε κλωστήματα;

Όχι. Απαιτείται μια ορισμένη δύναμη για να μετακινηθεί προς τα εμπρός η προστασία κλωστήματος. Αν το χέρι σας ακουμπήσει μόνο ελαφριά ή γλιστρήσει πάνω από τη προστασία κλωστήματος, υπάρχει περίπτωση η δύναμη να είναι ανεπαρκής για να θέσει σε λειτουργία το φρένο αλυσίδας. Θα πρέπει βέβαια και να κρατάτε σταθερά τις χειρολαβές του αλυσοπριόνου όταν δουλεύετε. Αν το κάνετε και σας παρουσιαστεί κλώτσημα, μπορεί να μην αφήσετε ποτέ το χέρι από τη μπροστινή χειρολαβή και να μην ενεργοποιήσετε το φρένο αλυσίδας, ή ακόμη θα ενεργοποιηθεί το φρένο αλυσίδας αφού πρώτα το πριόνι έχει προλάβει να γυρίσει μεγάλη απόσταση. Σε μια τέτοια περίπτωση μπορεί να συμβεί το φρένο αλυσίδας να μην προλάβει να ακινητοποιήσει την αλυσίδα πριν σας χτυπήσει.

Υπάρχουν επίσης ορισμένες στάσεις εργασίας στις οποίες το χέρι σας δεν μπορεί να φτάσει την προστασία κλωστήματος για να ενεργοποιηθεί το φρένο αλυσίδας, π.χ. όταν το πριόνι κρατείται σε θέση ριξίματος.

Θα ενεργοποιείται πάντοτε η λειτουργία της αδράνειας του φρένου αλυσίδας όταν λαμβάνει χώρα ένα κλώτσημα;

Όχι. Κατ' αρχήν πρέπει το φρένο σας να λειτουργεί. Είναι εύκολο να δοκιμάσετε το φρένο, βλέπε οδηγίες κάτω από την επικεφαλίδα Έλεγχος, συντήρηση και επισκευή εξοπλισμού ασφαλείας του αλυσοπριόνου. Σας συνιστούμε να το κάνετε πριν ξεκινάτε κάθε βάρδια εργασίας. Κατά δεύτερο λόγο πρέπει να είστε αρκετά δυνατοί για να ενεργοποιήσετε το φρένο αλυσίδας. Αν το φρένο αλυσίδας ήταν πολύ ευαίσθητο, θα ενεργοποιούνταν συνεχώς, πράγμα ενοχλητικό.

Θα με προστατεύει πάντοτε το φρένο αλυσίδας από τραυματισμό σε περίπτωση που συμβεί κλώτσημα;

Όχι. Κατ' αρχήν θα πρέπει το φρένο σας να λειτουργεί για να παρέχει την απαιτούμενη προστασία. Κατά δεύτερο λόγο πρέπει να ενεργοποιηθεί έτσι όπως περιγράφεται παραπάνω για να ακινητοποιήσει την αλυσίδα σε ένα κλώτσημα. Και τρίτον, μπορεί να ενεργοποιηθεί το φρένο αλυσίδας, αλλά αν η λάμα είναι πολύ κοντά σας μπορεί να συμβεί το φρένο να μην προλάβει να φρενάρει και να ακινητοποιήσει την αλυσίδα πριν σας βρει το αλυσοπριόνο.

Μόνο εσείς ο ίδιος και μια σωστή τεχνική εργασία μπορεί να εξαλείψει τα κλωτήματα και τους κινδύνους τους.

Ασφάλεια γκαζιού

Η ασφάλεια σκανδάλης γκαζιού είναι κατασκευασμένη για να εμποδίζει την αθέλητη ενεργοποίηση της σκανδάλης γκαζιού. Όταν η ασφάλεια (Α) πατιέται μέσα στη χειρολαβή (= όταν κρατάμε τη χειρολαβή) ελευθερώνεται η σκανδάλη γκαζιού (Β). Όταν αφήνουμε τη χειρολαβή επανέρχονται και η σκανδάλη γκαζιού και η ασφάλεια σκανδάλης γκαζιού στις αντίστοιχες αρχικές τους θέσεις. Αυτή η θέση σημαίνει ότι η σκανδάλη γκαζιού ασφαλίζει αυτόματα στο ρελαντί. (5)

Ασφάλεια συγκράτησης αλυσίδας

Η ασφάλεια συγκράτησης αλυσίδας είναι σχεδιασμένη για να πιάνει την αλυσίδα που πετάχτηκε ή έσπασε. Αυτές οι καταστάσεις μπορούν να αποφευχθούν, στις περισσότερες περιπτώσεις, με σωστό τέντωμα αλυσίδας (βλ. τις οδηγίες στο κεφάλαιο Συναρμολόγηση), καθώς και με σωστή συντήρηση και σέρβις του οδηγού και της αλυσίδας (βλ. τις οδηγίες στο κεφάλαιο Γενικές Οδηγίες Εργασίας).

Προφυλακτήρας δεξιού χεριού

Ο προφυλακτήρας δεξιού χεριού, εκτός από την προστασία του χεριού από αναπήδηση ή σπάσιμο της αλυσίδας, χρησιμεύει για να προστατεύει το χέρι από τα κλαδιά.

Σύστημα απόσβεσης κραδασμών

Το μηχάνημα είναι εξοπλισμένο με ένα σύστημα απόσβεσης κραδασμών, που είναι σχεδιασμένο για να ελαχιστοποιεί τους κραδασμούς και να κάνει ευκολότερη την εργασία.

Το σύστημα απόσβεσης κραδασμών ελαττώνει τη μετάδοση των κραδασμών από τον κινητήρα/και την αλυσίδα στις χειρολαβές του μηχανήματος. Το σώμα του πριονιού, μαζί με τον κοπτικό εξοπλισμό, είναι απομονωμένο από τις χειρολαβές με τους αποσβεστήρες κραδασμών.

Πριόνισμα σε σκληρό ξύλο (τα περισσότερα φυλλοβόλα δέντρα) προκαλεί δυνατότερος κραδασμούς από το πριόνισμα σε μαλακό ξύλο (τα περισσότερα κωνοφόρα δέντρα). Πριόνισμα με στομωμένη ή λαβημένου τύπου αλυσίδα (λάθος τύπος ή λάθος ακόνισμα), αυξάνει το επίπεδο των κραδασμών.



ΠΡΟΕΙΔΟΠΟΙΗΣΗ! Υπερβολική έκθεση σε κραδασμούς μπορεί να προκαλέσει προβλήματα σε αγγεία και νύερα σε άτομα που έχουν κυκλοφοριακό πρόβλημα. Απευθυνθείτε σε γιατρό εάν διαπιστώσετε συμπτώματα που μπορούν να οφείλονται σε υπερβολική έκθεση σε κραδασμούς. Παραδείγματα τέτοιων συμπτωμάτων είναι μούδιασμα, έλλειψη αίσθησης, "μυρμηκίαση", "τσιμπήματα", πόνος, έλλειψη ή μείωση της κανονικής δύναμης, αλλαγές στην επιφάνεια και στο χρώμα του δέρματος. Αυτά τα συμπτώματα εμφανίζονται συνήθως στα δάχτυλα, στα χέρια και στους καρπούς. Αυτά τα συμπτώματα μπορεί να αυξηθούν σε χαμηλές θερμοκρασίες.

Διακόπτης Στοπ

Ο διακόπτης Στοπ χρησιμοποιείται για το σβήσιμο του κινητήρα.

Σιγαστήρας

Ο σιγαστήρας είναι κατασκευασμένος έτσι ώστε να μειώνει το επίπεδο θορύβου καθώς και να κατευθύνει τα καυσαέρια του κινητήρα μακριά από το χειριστή.



ΠΡΟΕΙΔΟΠΟΙΗΣΗ! Τα αέρια εξαγωγής από τον κινητήρα είναι καυτά και είναι δυνατό να περιέχουν σπινθήρες που μπορούν να προκαλέσουν φωτιά. Ποτέ μην ξεκινάτε το μηχάνημα σε εσωτερικό χώρο ή κοντά σε εύφλεκτα υλικά!

Σε περιοχές με θερμό και ξηρό κλίμα μπορεί να είναι εμφανής ο κίνδυνος πυρκαγιών. Συμβαίνει τέτοιες περιοχές να έχουν νομοθεσίες που να απαιτούν μεταξύ άλλων ο σιγαστήρας να είναι εφοδιασμένος με εγκεκριμένο δίκτυ παρακράτεςσπινθήρων (Α). (6)

ΠΡΟΣΟΧΗ! Ο σιγαστήρας θερμαίνεται πολύ τόσο κατά τη χρήση όσο και μετά το σταμάτημα. Αυτό ισχύει και όταν ο κινητήρας δουλεύει στο ρελαντί. Να έχετε στο νου σας τον κίνδυνο πυρκαγιάς, ειδικά κατά τη χρήση κοντά σε εύφλεκες ουσίες ή/και αέρια.



ΠΡΟΕΙΔΟΠΟΙΗΣΗ! Ποτέ μην χρησιμοποιήσετε ένα αλυσοπρίοιο χωρίς ή με ελαττωματικό σιγαστήρα. Ένας ελαττωματικός σιγαστήρας μπορεί να αυξήσει αισθητά την ένταση του θορύβου και τον κίνδυνο πυρκαγιάς. Να έχετε προσοχή εργαλεία για πυρόσβεση. Ποτέ μην χρησιμοποιήσετε ένα αλυσοπρίοιο χωρίς ή με ελαττωματικό δίκτυ παρακράτησης σπινθήρων αν τέτοιο δίκτυ είναι υποχρεωτικό στο χώρο εργασίας σας.

Κοπτικός εξοπλισμός

Στο μέρος αυτό παρουσιάζουμε τη σωστή συντήρηση και σωστή χρήση του σωστού τύπου κοπτικού εξοπλισμού έτσι ώστε:

- Να μειωθεί ο κίνδυνος τινάγματος.
- Μειώνει τον κίνδυνο βγαλισματος της αλυσίδας καθώς και σπασίματος της.
- Προσφέρει βέλτιστη απόδοση κοπής.
- Να έχετε μεγαλύτερη διάρκεια ζωής του κοπτικού εξοπλισμού.
- Αποφεύγει την αύξηση του επιπέδου των κραδασμών.

Βασικοί κανόνες

- **Χρησιμοποιείτε μόνο τον κοπτικό εξοπλισμό που συνιστούμε!** Βλέπε οδηγίες κάτω από την επικεφαλίδα Τεχνικά στοιχεία.
- **Τα δόντια της αλυσίδας να είναι πάντοτε καλά και σωστά ακονισμένα! Ακολουθείτε τις οδηγίες μας και χρησιμοποιείτε σωστό τύπο λίμας.** Λάθος ακονισμένη ή χαλασμένη αλυσίδα αυξάνει τον κίνδυνο ατυχημάτων.
- **Διατηρήστε το σωστό διάκενο! Τηρήστε τις οδηγίες μας και χρησιμοποιήστε εγκεκριμένο οδηγό διακένου.** Αν το διάκενο είναι μεγαλύτερο από το κανονικό, μεγαλώνει ο κίνδυνος κλωστήματος.
- **Η αλυσίδα να είναι τεντωμένη!** Μια χαλαρή αλυσίδα ξεφεύγει ευκολότερα και η φθορά του οδηγού, της ίδιας της αλυσίδας και του τροχού μετάδοσης κίνησης στην αλυσίδα γίνεται μεγαλύτερη.
- **Να έχετε την αλυσίδα καλά λαδωμένη και σωστά συντηρημένη!** Ανεπαρκές λάδιμα της αλυσίδας αυξάνει τον κίνδυνο σπασίματος της και επιπλέον η φθορά του οδηγού, της ίδιας της αλυσίδας και του τροχού μετάδοσης κίνησης στην αλυσίδα γίνεται μεγαλύτερη.

Κοπτικός εξοπλισμός που μειώνει το κλώστημα



ΠΡΟΕΙΔΟΠΟΙΗΣΗ! Ένας λανθασμένος κοπτικός εξοπλισμός ή ένας λανθασμένος συνδυασμός λάμας/αλυσίδας αυξάνει τον κίνδυνο κλωστήματος! Χρησιμοποιήστε αποκλειστικά τους συνδυασμούς λάμας/αλυσίδας που προτείνουμε, καθώς και την οδηγία τροχίσματος. Βλέπε οδηγίες κάτω από την επικεφαλίδα Τεχνικά στοιχεία.

Το τινάγμα μπορεί να αποφευχθεί μόνο όταν φροντίζετε να μην έρχεται ποτέ σε επαφή με αντικείμενα η περιοχί πρόκλησης τινάγματος της αλυσίδας.

Χρησιμοποιώντας αλυσίδες με "ενσωματωμένη" ικανότητα μείωσης τινάγματος και χρησιμοποιώντας σωστά ακονισμένες και συντηρημένες αλυσίδες, μπορείτε να μειώσετε τα αποτελέσματα ενός τινάγματος.

Οδηγός

Όσο μικρότερη ακτίνα μύτης τόσο μικρότερη τάση για κλώστημα.

Αλυσίδα πριονίσματος

Οι αλυσίδες πριονίσματος αποτελούνται από διάφορα δόντια κανονικού τύπου ή τύπου με ικανότητα μείωσης τινάγματος.

ΣΗΜΑΝΤΙΚΟ! Καμιά αλυσίδα δεν εξαλείφει τον κίνδυνο για κλώτσημα.



ΠΡΟΕΙΔΟΠΟΙΗΣΗ! Κάθε επαφή με μια περιστρεφόμενη αλυσίδα μπορεί να προκαλέσει πολύ σοβαρό τραυματισμό.

Μερικές εκφράσεις που προσδιορίζουν τον οδηγό και την αλυσίδα

Για να διατηρήσετε όλες τις διατάξεις ασφαλείας του κοπτικού εξοπλισμού, θα πρέπει να αντικαθιστάτε τους φθαρμένους συνδυασμούς λάμας/αλυσίδας με λάμα και αλυσίδα που συνιστά η Jonsered. Βλέπε οδηγίες κάτω από την επικεφαλίδα Τεχνικά στοιχεία για πληροφορίες σχετικά με τους συνδυασμούς λάμας/αλυσίδας που συνιστούμε.

Οδηγός

- Μήκος (ίντσες/cm)
- Σύνολο δοντιών ακραίου τροχού οδηγού (Τ).
- Βήμα αλυσίδας (=ίντσες) (ίντσες). Η απόσταση μεταξύ των δοντιών κίνησης πρέπει να είναι ίδια με την απόσταση των δοντιών του τροχού του άκρου του οδηγού και του κινητήριου τροχού.
- Αριθμός δοντιών κίνησης. Ο αριθμός των δοντιών κίνησης προκύπτει από το μήκος του οδηγού, το βήμα της αλυσίδας και τον αριθμό των δοντιών του τροχού του άκρου του οδηγού
- Πλάτος αλκάκωσης οδηγού (ίντσες/mm). Το πλάτος αλκάκωσης του οδηγού θα πρέπει να ταιριάζει με το πλάτος του δοντιού κίνησης.
- Οπή λίπανσης και οπή τεντώματος αλυσίδας. Ο οδηγός πρέπει να ταιριάζει με την κατασκευή του πριονιού.

Αλυσίδα πριονίσματος

- Βήμα αλυσίδας (ίντσες)
- Πλάτος δοντιών κίνησης (mm/ίντσες)
- Αριθμός δοντιών κίνησης

Τρόχισμα και ρύθμιση του διάκενου της αλυσίδας



ΠΡΟΕΙΔΟΠΟΙΗΣΗ! Πάντα να φοράτε γάντια όταν χειρίζεστε την αλυσίδα, για να προστατεύετε τα χέρια σας από τραυματισμούς.

Γενικά για το ακόνισμα δοντιού αλυσίδας

- Ποτέ μην πριονίζετε με στομωμένη αλυσίδα. Η αλυσίδα είναι στομωμένη όταν χρειάζεται να πιέσετε το πριόνι για να κόψετε το ξύλο και τα πριονίδια είναι πολύ μικρά. Μια πολύ στομωμένη αλυσίδα δεν παράγει καθόλου πριονίδια. Το μόνο που βλέπετε είναι ξυλόσκονη.
- Μια καλοτροχισμένη αλυσίδα βυθίζεται μόνη της πριονίζοντας πέρα για πέρα το ξύλο και παράγει μεγάλα και μακριά πριονίδια.
- Το τμήμα της αλυσίδας που κόβει ονομάζεται σύνδεσμος κοπής και αποτελείται από ένα δόντι

κοπής (Α) και από ένα οδηγό διάκενου (Β). Η διαφορά ύψους αυτών των δύο καθορίζει το βάθος πριονίσματος. (7)

Κατά το τρόχισμα του δοντιού κοπής πρέπει να ληφθούν υπόψη τέσσερα μέτρα.

- 1 Η γωνία ακονίσματος
- 2 Η γωνία κοπής
- 3 Η θέση της λίμας
- 4 Η διάμετρος της στρογγυλής λίμας

Είναι πολύ δύσκολο να τροχιστεί μια αλυσίδα χωρίς τη χρήση ειδικών εργαλείων. Για το λόγο αυτό σας συνιστούμε να χρησιμοποιείτε τον οδηγό τροχίσματος που διαθέτουμε. Εξασφαλίζει το τρόχισμα της αλυσίδας για βέλτιστη μείωση κλωτσήματος και δυνατότητας κοπής.

Βλέπε οδηγίες κάτω από την επικεφαλίδα Τεχνικά στοιχεία για το ποια στοιχεία ισχύουν για το τρόχισμα της αλυσίδας του πριονιού σας.



ΠΡΟΕΙΔΟΠΟΙΗΣΗ! Παρεκκλίσεις από τις οδηγίες τροχίσματος αυξάνουν σημαντικά τον κίνδυνο τινάγματος της αλυσίδας.

Ακόνισμα δοντιού κοπής

Για τρόχισμα του δοντιού κοπής χρειάζεται μια στρογγυλή λίμα και ένας οδηγός τροχίσματος. Βλέπε οδηγίες κάτω από την επικεφαλίδα Τεχνικά στοιχεία για το ποια διάμετρος στρογγυλής λίμας καθώς και ποιος οδηγός τροχίσματος συνιστάται για την αλυσίδα του πριονιού σας.

- Βεβαιωθείτε ότι η αλυσίδα είναι τεντωμένη. Μια χαλαρωμένη αλυσίδα δυσκολεύει το σωστό ακόνισμα.
- Ακονίζετε πάντοτε από το εσωτερικό του δοντιού προς τα έξω. Στην επαναφορά ελαφρώστε την πίεση της λίμας. Ακονίστε πρώτα όλα τα δόντια της μιας πλευράς, γυρίστε μετά το αλυσοπριόνιο και ακονίστε τα δόντια της άλλης πλευράς.
- Ακονίζετε έτσι που όλα τα δόντια να έχουν το ίδιο μήκος. Όταν το μήκος των δοντιών είναι μόνο 4 mm (0,16") τότε η αλυσίδα είναι φθαρμένη και πρέπει να πεταχτεί. (8)

Γενικά σχετικά με τη ρύθμιση του διάκενου

- Κατά το τρόχισμα του δοντιού κοπής μικραίνει το διάκενο (=βάθος κοπής). Για να διατηρηθεί η βέλτιστη ικανότητα κοπής πρέπει ο οδηγός διάκενου να κατέβει στο συνιστώμενο επίπεδο. Βλέπε οδηγίες κάτω από την επικεφαλίδα Τεχνικά στοιχεία για το πόσο μεγάλο διάκενο πρέπει να έχει η αλυσίδα του πριονιού σας.



ΠΡΟΕΙΔΟΠΟΙΗΣΗ! Μεγαλύτερο του κανονικού διάκενο αυξάνει την τάση κλωτσήματος της αλυσίδας!

Ρύθμιση διάκενου

- Όταν γίνεται ρύθμιση διάκενου πρέπει το δόντι κοπής να έχουν τροχιστεί. Συνιστούμε τη ρύθμιση του διάκενου μετά από κάθε τρίτο τρόχισμα της αλυσίδας. ΠΡΟΣΞΕΤΕ! Αυτή η σύσταση προϋποθέτει ότι το μήκος των δοντιών κοπής δεν έχει τροχιστεί παραπάνω από το κανονικό.

- Για τη ρύθμιση του διάκενου χρειάζεται μια πλακέ λιμα και ένας οδηγός διάκενου. Συνιστούμε να χρησιμοποιήσετε το δικό μας οδηγό τροχίσματος για το διάκενο για να έχετε σωστά μέτρα διακένου και σωστή γωνία οδηγού βάθους κοπής.
- Τοποθετήστε τον οδηγό τροχίσματος πάνω στην αλυσίδα. Πληροφορίες για τη χρήση του οδηγού τροχίσματος υπάρχουν πάνω στη συσκευασία. Χρησιμοποιήστε τη πλακέ λιμα για να τροχίσετε τα πλεονάζοντα γρέζια από το υπερυψωμένο τμήμα του οδηγού βάθους κοπής. Το διάκενο είναι το σωστό όταν δεν αισθάνεστε καμία αντίσταση όταν περνάτε τη λιμα πάνω στον οδηγό.

Τέντωμα αλυσίδας



ΠΡΟΕΙΔΟΠΟΙΗΣΗ! Αλυσίδα που δεν είναι τεντωμένη σωστά μπορεί να πεταχτεί απ' τη θέση της και να τραυματίσει σοβαρά, ακόμη και θανατηφόρα.



ΠΡΟΕΙΔΟΠΟΙΗΣΗ! Χρησιμοποιείτε πάντοτε εγκεκριμένα προστατευτικά γάντια. Ακόμη και μια αλυσίδα που δεν περιστρέφεται μπορεί να προκαλέσει σοβαρό τραυματισμό στο χέρι ή σε άλλα άτομα που έρχονται σε επαφή μαζί της.

Όσο χρησιμοποιείτε την αλυσίδα, τόσο αυτή μακραίνει. Είναι λοιπόν σημαντικό οι ρυθμίσεις να γίνονται ανάλογα με το μήκος της αλυσίδας.

Το τέντωμα της αλυσίδας πρέπει να το ελέγχετε κάθε φορά που γεμίζετε καύσιμο. **ΠΡΟΣΞΕΤΕ!** Μια καινούργια αλυσίδα χρειάζεται στρώσιμο, γι' αυτό και στην αρχή να ελέγχετε το τέντωμά της συχνότερα.

Γενικά ισχύει το ότι η αλυσίδα πρέπει να τεντωθεί όσο το δυνατό περισσότερο, όχι όμως και τόσο που να μη μπορείτε να την περιστρέψετε εύκολα με το χέρι. **(9)**

- Ξεφίξετε πρώτα τα παξιμάδια του οδηγού που σφίγγουν το καπάκι του συμπλέκτη/φρένου αλυσίδας, με το σύνθετο κλειδί. Ξανασφίξετε τα παξιμάδια του οδηγού με τα δάχτυλα όσο μπορείτε. **(10)**
- Ανασηκώστε την άκρη του οδηγού και τεντώστε την αλυσίδα, βιδώνοντας την βίδα τεντώματος με το σύνθετο κλειδί. Τεντώστε την μέχρις ότου δείτε ότι δεν κρέμεται χαλαρά στην κάτω πλευρά του οδηγού. **(11)**
- Με το σύνθετο κλειδί σφίξετε τα παξιμάδια του οδηγού κρατώντας συγχρόνως την άκρη του οδηγού. Βεβαιωθείτε ότι η αλυσίδα μπορεί να περιστραφεί εύκολα με το χέρι και ότι δεν κρέμεται στην κάτω πλευρά του οδηγού. **(12)**

Λάδωμα κοπτικού εξοπλισμού



ΠΡΟΕΙΔΟΠΟΙΗΣΗ! Ανεπαρκές λάδωμα του κοπτικού εξοπλισμού μπορεί να προκαλέσει σπάσιμο της αλυσίδας, που μπορεί να τραυματίσει σοβαρά, ακόμη και θανατηφόρα.

Ένα λάδι πριονιού

Το λάδι της αλυσίδας αλυσοπριονίου πρέπει να έχει καλή πρόσφυση στην αλυσίδα και να διατηρεί επίσης τα χαρακτηριστικά ροής του ανεξάρτητα από το αν επικρατεί ζεστό καλοκαίρι ή κρύος χειμώνας.

Ως κατασκευαστές αλυσοπριονίων έχουμε αναπτύξει ένα βέλτιστο λάδι αλυσίδας, το οποίο, λόγω της φυτικής του βάσης, είναι και βιολογικά διασπώσιμο. Συνιστούμε τη χρήση του δικού μας λαδιού τόσο για μέγιστη διάρκεια ζωής της αλυσίδας όσο και για το περιβάλλον. Εάν δεν είναι διαθέσιμο το δικό μας λάδι αλυσίδας, συνιστάται το τυποποιημένο λάδι αλυσίδας.

Ποτέ μη χρησιμοποιείτε μεταχειρισμένο λάδι! Είναι επιβλαβές τόσο για εσάς, όσο και για το μηχάνημα και για το περιβάλλον.

ΣΗΜΑΝΤΙΚΟ! Κατά τη χρήση φυτικού λαδιού αλυσίδας, να απουσναρμολογήσετε και να καθαρίσετε το αυλάκι της λάμας και την αλυσίδα πριν από μακρόχρονη αποθήκευση. Διαφορετικά συντρέχει κίνδυνος οξειδωσης της αλυσίδας, που θα επιφέρει ακαμψία στην αλυσίδα και κακή λειτουργία της μύτης της λάμας.

Γέμισμα λαδιού αλυσίδας

- Όλα τα μοντέλα αλυσοπριονίων μας έχουν αυτόματη λίπανση αλυσίδας. Ορισμένα μοντέλα μπορείτε να τα παραλάβετε με ρυθμιζόμενη ροή λαδιού.
- Το ρεζερβουάρ λαδιού αλυσίδας και το ρεζερβουάρ καυσίμου έχουν τέτοιες διαστάσεις ώστε να τελειώνει το καύσιμο πριν τελειώσει το λάδι. Αυτή η λειτουργία ασφαλείας προϋποθέτει τη χρήση σωστού λαδιού αλυσίδας (ένα πολύ λεπτό και πολύ ρευστό λάδι αδειάζει το ρεζερβουάρ πριν προλάβει να τελειώσει το καύσιμο), καθώς και την τήρηση της οδηγίας μας που αφορά τη ρύθμιση του καρμπυρατέρ (μια πιό "φτωχή" ρύθμιση κάνει το καύσιμο να διαρκεί περισσότερο από το λάδι αλυσίδας) όπως και η τήρηση των συστάσεων μας που αφορά τον κοπτικό εξοπλισμό (μια πολύ μακριά λάμα απαιτεί περισσότερο λάδι αλυσίδας).

Έλεγχος λίπανσης αλυσίδας

- Ελέγχετε τη λίπανση της αλυσίδας κάθε φορά που γεμίζετε καύσιμο. Βλέπε οδηγίες κάτω από την επικεφαλίδα Λίπανση μύτης της λάμας.

Στρέψτε την άκρη του οδηγού προς ένα σταθερό φωτεινό σημείο και σε απόσταση 20 cm (8 ίντσες) απ' αυτό. Μετά από 1 λεπτό λειτουργίας και με γκάζι στα 3/4 θα φανεί μια ξεκάθαρη ζώνη λαδιού πάνω στο φωτεινό σημείο.

Εάν δεν λειτουργεί ο μηχανισμός λίπανσης:

- Βεβαιωθείτε ότι το κανάλι λίπανσης του οδηγού είναι ανοιχτό. Καθαρίστε αν χρειάζεται.
- Βεβαιωθείτε ότι το αυλάκι του οδηγού είναι καθαρό. Καθαρίστε αν χρειάζεται.
- Βεβαιωθείτε ότι ο ακραίος τροχός του οδηγού κινείται εύκολα και ότι η οπή λίπανσής του είναι ανοικτή. Καθαρίστε και λαδώστε αν χρειάζεται.

Αν δεν λειτουργεί η λίπανση αλυσίδας μετά τους παραπάνω ελεγχους και ενέργειες ζητήστε τη βοήθεια συνεργείου.

Οδοντωτός τροχός κίνησης αλυσίδας

Ο θάλαμος συμπλέκτη είναι εφοδιασμένος με τροχό μετάδοσης κίνησης τύπου Spur (τροχός μετάδοσης κίνησης αλυσίδας κολλημένος πάνω στο θάλαμο).

Ελέγχετε τακτικά το μέγεθος της φθοράς του τροχού. Αντικαταστήστε τον αν η φθορά ξεπερνά το φυσιολογικό επίπεδο. Ο οδοντωτός τροχός κίνησης πρέπει να αντικαθιστάται κάθε φορά που αλλάζετε αλυσίδα.

Έλεγχος φθοράς κοπτικού εξοπλισμού

Ελέγχετε την αλυσίδα καθημερινά προσέχοντας ιδιαίτερα:

- Ορατά ραγίσματα στα περτσίνια και στα δόντια.
- Αν η αλυσίδα είναι άκαμπτη.
- Αν τα περτσίνια και τα δόντια είναι φθαρμένα.

Πετάξτε ως άχρηστη την αλυσίδα αν παρουσιάζει κάποιο ή κάποια από τα παραπάνω σημεία.

Για τον έλεγχο σας συστήνουμε να συγκρίνετε την αλυσίδα σας με μια καινούργια για να αποφασίσετε πόσο φθαρμένη είναι.

Αν τα δόντια κοπή έχουν φθαρεί και έχουν ύψος μόνο 4 mm, τότε η αλυσίδα είναι φθαρμένη και πρέπει να την πετάξετε.

Οδηγός

Ελέγχετε τακτικά:

- Αν έχουν δημιουργηθεί ανωμαλίες στις πλαϊνές επιφάνειες του οδηγού. Αφαιρέστε τις με λίμα εάν χρειάζεται. **(13A)**
- Αν το αυλάκι του οδηγού έχει φθαρεί. Αντικαταστήστε τον οδηγό εάν χρειάζεται. **(13B)**
- Αν το άκρο του οδηγού είναι ανώμαλο ή πολύ φθαρμένο. Αν έχει δημιουργηθεί ένα "κοίλωμα" στη μία πλευρά του άκρου του οδηγού, αυτό οφείλεται σε χαλαρή αλυσίδα.
- Για μεγαλύτερο όριο ζωής πρέπει να συναλλάζετε πλευρά, την πάνω με την κάτω, κάθε μέρα εργασίας.



ΠΡΟΕΙΔΟΠΟΙΗΣΗ! Τα περισσότερα ατυχήματα με αλυσόπρινα συμβαίνουν όταν η αλυσίδα χτυπήσει το χειριστή.

Χρησιμοποιείτε ατομικό προστατευτικό εξοπλισμό. Βλ. τις οδηγίες στο κεφάλαιο Ατομικός προστατευτικός εξοπλισμός.

Αποφεύγετε εργασίες για τις οποίες θεωρείτε ότι δεν έχετε επαρκή εμπειρία. Βλ. τις οδηγίες στα κεφάλαια Ατομικός προστατευτικός εξοπλισμός, Ενέργειες αποφυγής τινάγματος, Κοπτικός εξοπλισμός και Γενικές οδηγίες εργασίας.

Αποφεύγετε καταστάσεις που μπορεί να προκαλέσουν τινάγματα πριονιού. Βλ. τις οδηγίες στο κεφάλαιο Προστατευτικός εξοπλισμός μηχανήματος.

Χρησιμοποιείτε κοπτικό εξοπλισμό που συνιστούμε και ελέγξτε την κατάστασή του. Βλ. τις οδηγίες στο κεφάλαιο Γενικές οδηγίες εργασίας και Γενικές οδηγίες ασφαλείας.

Ελέγχετε τη λειτουργία των εξαρτημάτων ασφαλείας του αλυσόπριονου. Βλ. τις οδηγίες στο κεφάλαιο Γενικές οδηγίες εργασίας και Γενικές οδηγίες ασφαλείας.

Μοντάρισμα οδηγού και αλυσίδας



ΠΡΟΕΙΔΟΠΟΙΗΣΗ! Απενεργοποιήστε τον κινητήρα προτού πραγματοποιήσετε τυχόν ελέγχους ή συντήρηση. Ο διακόπτης στοπ επανέρχεται αυτόματα στη θέση εκκίνησης. Για να αποφύγετε ακούσια εκκίνηση του κινητήρα, πρέπει πάντοτε να βγάξετε το κάλυμμα του μπουζιού κατά τη συναρμολόγηση το έλεγχο ή/και τη συντήρηση.

Πάντα να φοράτε γάντια όταν χειρίζεστε την αλυσίδα, για να προστατεύετε τα χέρια σας από τραυματισμούς.

Φέρνοντας τον προφυλακτήρα τινάγματος προς τη μπροστινή χειρολαβή, βεβαιωθείτε ότι το αλυσόφρενο είναι σε θέση ελεύθερη.

Ξεβιδώστε τα παξιμάδια στερέωσης του οδευού και αφαιρέστε το καπάκι του συμπλέκτη (αλυσόφρενο). Βγάλτε το δακτύλιο μεταφοράς. (A) (14)

Μοντάρετε τον οδηγό στα μπουλόνια του. Σπρώξτε τον όσο πίσω γίνεται. Βάλτε την αλυσίδα πάνω στον τροχό που την κινεί και στο αυλάκι του οδηγού. Αρχίστε από την πάνω πλευρά του οδηγού. (15)

Βεβαιωθείτε ότι οι κόψεις των δοντιών βλέπουν προς τα μπρος, στο πάνω μέρος του οδηγού.

Τοποθετήστε το κάλυμμα του συμπλέκτη και περάστε τον πείρο της προσαρμογής αλυσίδας στην οπή πάνω στη λάμα. Ελέγξτε ότι οι σύνδεσμοι οδήγησης της αλυσίδας ταιριάζουν με τον οδοντωτό τροχό και ότι η αλυσίδα έχει τοποθετηθεί σωστά στο αυλάκι της λάμας. Σφίξτε επαρκώς τα παξιμάδια της λάμας με το χέρι. (16)

Τεντώστε την αλυσίδα στρίβοντας προς τα δεξιά τη βίδα ρύθμισης της αλυσίδας χρησιμοποιώντας το σύνθετο κλειδί. Η αλυσίδα πρέπει να τεντωθεί τόσο ώστε να μην κρέμεται χαλαρά στο κάτω μέρος του οδηγού. Βλέπε οδηγίες κάτω από την επικεφαλίδα Τέντωμα αλυσίδας. (17)

Η αλυσίδα είναι σωστά τεντωμένη όταν δεν είναι χαλαρή στην κάτω πλευρά του οδηγού, αλλά μπορεί να γυρίσει εύκολα με το χέρι. Κρατήστε ψηλά το άκρο του οδηγού και σφίξτε τα παξιμάδια του με το σύνθετο κλειδί. (18)

Το τέντωμα μιας καινούργιας αλυσίδας να το ελέγχετε συχνότερα, μέχρι που να στρώσει. Ελέγχετε το τέντωμά της ταχτικά. Σωστό τέντωμα αλυσίδας σημαίνει καλή απόδοση κοπής και μεγάλη διάρκεια ζωής. (19)

Τοποθέτηση οδοντωτού προφυλακτήρα

Για τοποθέτηση οδοντωτού προφυλακτήρα - επικοινωνήστε με το συνεργείο που σας εξυπηρετεί.

Μίγμα καυσίμου

Σημίωση! Το μηχάνημα είναι εφοδιασμένο με ένα δίχρονο κινητήρα και πρέπει πάντα να λειτουργεί με ένα μίγμα βενζίνης και δίχρονου λαδιού. Για να διασφαλίσετε την ακριβή πρόσμιξη βενζίνης και λαδιού είναι σημαντικό να μετράτε με ακρίβεια την ποσότητα λαδιού. Όταν ανακατεύετε μικρές ποσότητες καυσίμου, ακόμη και οι μικρές διαφορές στη ποσότητα λαδιού μπορούν να επηρεάσουν σημαντικά τις αναλογίες πρόσμιξης.



ΠΡΟΕΙΔΟΠΟΙΗΣΗ! Φροντίστε επίσης να έχετε καλό εξαερισμό κατά την πρόσμιξη.

Βενζίνη

- Να χρησιμοποιείτε αμόλυβδη ή μολυβδούχο βενζίνη καλής ποιότητας.
- Συνιστούμε ως κατώτερο όριο τα 90 (RON) οκτάνια. Αν ο κινητήρας καιει βενζίνη με λιγότερα οκτάνια από 90 μπορεί να αρχίσει να χτυπάει. Αυτό επιφέρει αύξηση της θερμοκρασίας του κινητήρα, γεγονός που μπορεί να προκαλέσει σοβαρές βλάβες.
- Σε εργασία με συνεχώς υψηλές στροφές (πχ. κλάδεμα) να χρησιμοποιείτε βενζίνη με περισσότερα οκτάνια.

Στρώσιμο

Κατά τις 10 πρώτες ώρες θα πρέπει να αποφεύγεται η λειτουργία σε πολύ υψηλές στροφές.

Λάδι για δίχρονους κινητήρες

- Για βέλτιστα αποτελέσματα και επιδόσεις χρησιμοποιήστε δίχρονο λάδι κινητήρων της JONSERED που έχει παρασκευαστεί ειδικά για τους αερόψυκτους δίχρονους κινητήρες μας.
- Ποτέ μην χρησιμοποιήσετε δίχρονο λάδι για υδρόψυκτους εξωλέμβιους κινητήρες, το λεγόμενο. outboardoil (με ονομασία TCW).
- Μην χρησιμοποιείτε ποτέ λάδι προορισμένο για τετράχρονους κινητήρες.
- Μια χαμηλή ποιότητα λαδιού ή πολύ παχιά πρόσμιξη λαδιού/καυσίμου μπορεί να μειώσει το χρόνο ζωής του καταλύτη.

Αναλογία πρόσμιξης

1:50 (2%) με δίχρονο λάδι JONSERED.

1:33 (3%) με άλλα λάδια φτιαγμένα για δίχρονους αερόψυκτους κινητήρες για κλάση JASO FB/ISO EGB.

Βενζίνη, λίτρα	Λάδι για δίχρονους κινητήρες, λίτρα	Λάδι για δίχρονους κινητήρες, λίτρα
	2% (1:50)	3% (1:33)
5	0,10	0,15
10	0,20	0,30
15	0,30	0,45
20	0,40	0,60

Ανάμιξη

- Η ανάμιξη βενζίνης-λαδιού να γίνεται σε καθαρό δοχείο κατάλληλο για καύσιμα.
- Ξεκινήστε πάντοτε με τη μισή ποσότητα βενζίνης προς ανάμιξη. Προσθέστε μετά όλη την ποσότητα λαδιού της αναλογίας. Ανακατέψτε (ανακινήστε) το μίγμα. Προσθέστε το υπόλοιπο μισό της ποσότητας βενζίνης.

- Ανακατέψτε (ανακινήστε) το μίγμα προσεκτικά πριν γεμίσετε το ρεζερβουάρ του μηχανήματος.
- Μην αναμιγνύετε καύσιμο περισσότερο από την κατανάλωση ενός μηνός το πολύ.
- Αν δεν θα χρησιμοποιηθεί το μηχάνημα για μεγάλο διάστημα, να αδειάσετε και να καθαρίσετε το ρεζερβουάρ.

Λάδι αλυσίδας

- Σαν λίπανση προτείνεται ένα ειδικό λάδι (λάδι λίπανσης αλυσίδας) με καλή ικανότητα πρόσφυσης.
- Ποτέ μη χρησιμοποιήσετε μεταχειρισμένο λάδι. Διατρέχετε μεγάλο κίνδυνο να πάθετε βλάβες στην αντλία λαδιού, τον οδηγό και την αλυσίδα.
- Είναι σημαντικό να χρησιμοποιείτε σωστό τύπο λαδιού σε σχέση με την εξωτερική θερμοκρασία (κατάλληλη ρευστότητα).
- Σε θερμοκρασίες κάτω των 0 οC (32 οF) ορισμένα λάδια γίνονται παχύρρευστα. Αυτό μπορεί να υπερφορτίσει την αντλία λαδιού με αποτέλεσμα βλάβες σε τμήματα της αντλίας.
- Ρωτήστε το συνεργείο σας για την επιλογή κατάλληλου λαδιού αλυσίδας.

Γέμισμα ρεζερβουάρ



ΠΡΟΕΙΔΟΠΟΙΗΣΗ! Οι παρακάτω ενέργειες προφύλαξης μειώνουν τους κινδύνους πυρκαγιάς:

Μην καπνίζετε και μην τοποθετείτε κάποιο θερμό αντικείμενο κοντά σε καύσιμο.

Να σβήνετε πάντα τον κινητήρα και να τον αφήνετε να κρυώσει για λίγα λεπτά πριν από την επαναπλήρωση.

Για το γέμισμα να ανοίξετε το τάπα με αργές κινήσεις, ώστε να διαφύγει η πίεση από εξατμισμένο καύσιμο.

Βιδώστε το τάπα προσεκτικά μετά από κάθε γέμισμα του ρεζερβουάρ.

Πριν βάλετε σε λειτουργία το μηχάνημα απομακρύνετε το από το σημείο όπου γεμίσατε βενζίνη.

Καθαρίστε γύρω από το καπάκι. Καθαρίζετε τακτικά τα ρεζερβουάρ βενζίνης και λαδιού αλυσίδας. Το φίλτρο βενζίνης να το αλλάζετε το λιγότερο μια φορά το χρόνο. Ακαθαρσίες στις δεξαμενές προκαλούν κακή λειτουργία. Φροντίστε το καύσιμο να είναι σωστά αναμιγμένο κουνώντας το στο δοχείο όπου το φυλάγετε, πριν να γεμίσετε το ρεζερβουάρ. Η χωρητικότητα των δοχείων λαδιού αλυσίδας και καυσίμου είναι σε μια σχεδιασμένη αναλογία η μία με την άλλη. Για το λόγο αυτό όταν γεμίζετε λάδι αλυσίδας να γεμίζετε αμέσως και βενζίνη.



ΠΡΟΕΙΔΟΠΟΙΗΣΗ! Το καύσιμο και οι ατμοί καυσίμου είναι εξαιρετικά εύφλεκτα. Προσέχετε όταν μεταχειρίζεστε καύσιμα ή λάδι αλυσίδας. Να σκέφτεστε πάντοτε τους κινδύνους από φωτιά, έκρηξη και εισπνοή αερίων.

Ασφάλεια καυσίμων

- Μη γεμίζετε ποτέ το μηχάνημα με καύσιμα όταν ο κινητήρας είναι σε λειτουργία.
 - Φροντίστε για τον καλό αερισμό κατά το γέμισμα καυσίμου και την ανάμιξή του (βενζίνη με λάδι δίχρονης μηχανής).
 - Πριν ξαναβάλετε μπρος μετακινήστε το μηχάνημα τουλάχιστον 3 m από το σημείο που γεμίσατε βενζίνη.
 - Μη βάλετε ποτέ εμπρός το μηχάνημα:
- 1 Αν έχετε χύσει καύσιμο ή λάδι αλυσίδας πάνω στο μηχάνημα. Σκουπίστε τα και αφήστε να εξατμιστεί το καύσιμο που απομένει.
 - 2 Εάν έχετε χύσει καύσιμο επάνω σας ή στα ρούχα σας, αλλάξτε ρούχα. Πλύνετε οποιοδήποτε μέρος του σώματός σας έχει έλθει σε επαφή με το καύσιμο. Χρησιμοποιήστε σαπούνι και νερό.
 - 3 Αν έχετε διαρροή καυσίμου: ελέγχετε τακτικά για διαρροές από το καπάκι καυσίμου και τις σωληνώσεις καυσίμων.



ΠΡΟΕΙΔΟΠΟΙΗΣΗ! Ποτέ μην κάνετε χρήση μηχανήματος με εμφανείς φθορές στο κάλυμα μπουζιού και στο καλώδιο ανάφλεξης. Υπάρχει κίνδυνος δημιουργίας σπινθήρων και πρόκληση πυρκαγιάς.

Μεταφορά και αποθήκευση

- Αποθηκεύετε πάντοτε το αλυσοπρίονο και τα καύσιμα μακριά από πηγές σπινθήρων ή γυμνές φλόγες π.χ. μηχανές, ηλεκτροκίνητες, ρελέ/ διακόπτες, καυστήρες κλπ. ώστε να μην υπάρχει κίνδυνος από διαρροές ή ατμούς.
- Για φύλαξη καυσίμων να χρησιμοποιούνται τα ειδικά δοχεία που είναι εγκριμένα γι' αυτόν το σκοπό.
- Για μεγαλύτερες περιόδους αποθήκευσης ή για μεταφορά του αλυσοπρίονου, τα ρεζερβουάρ καυσίμου και λαδιού αλυσίδας πρέπει να αδειάζονται. Ρωτήστε στο πλησιέστερο βενζινάδικο τι να κάνετε το μεταχειρισμένο καύσιμο και λάδι αλυσίδας.
- πριν αποθηκεύσετε τη μηχανή για μεγάλο χρονικό διάστημα, βεβαιωθείτε έχει προηγουμένως καθαριστεί και ότι πλήρες σέρβις έχει πραγματοποιηθεί.
- Το προστατευτικό θηκάρι του κοπτικού εξοπλισμού θα είναι πάντα τοποθετημένο κατά τη μεταφορά ή φύλαξη του μηχανήματος για την αποφυγή κατά λάθος επαφής με την ακονισμένη αλυσίδα. Ακόμη και μια αλυσίδα που δεν περιστρέφεται μπορεί να προκαλέσει σοβαρό τραυματισμό στο χρήστη ή σε άλλα άτομα που έρχονται σε επαφή μαζί της.
- Ασφαλίστε το μηχάνημα κατά τη μεταφορά.

Φύλαξη μακράς διάρκειας

Αδειάστε τα ρεζερβουάρ καυσίμου και λαδιού σε ένα χώρο που αερίζεται καλά. Φυλάξτε το καύσιμο σε εγκριμένα νεπεόζιτα σε ασφαλές μέρος. Τοποθετήστε το θηκάρι της λάμας. Καθαρίστε το μηχάνημα. Βλέπε οδηγίες κάτω από την επικεφαλίδα Πρόγραμμα συντήρησης.

Ξεκίνημα και σταμάτημα



ΠΡΟΕΙΔΟΠΟΙΗΣΗ! Πριν την εκκίνηση πρέπει να προσέξετε τα ακόλουθα:

Το φρένο αλυσίδας θα πρέπει να είναι σε λειτουργία όταν μπαίνει εμπρός το αλυσοπρίονο, για να μειωθεί έτσι ο κίνδυνος επαφής με την περιστρεφόμενη αλυσίδα κατά την εκκίνηση.

Μην βάζετε μπρος το αλυσοπρίονο αν η λάμα, η αλυσίδα και όλα τα καλύμματα δεν είναι τοποθετημένα. Διαφορετικά μπορεί ο συμπλέκτης να ξεφύγει και να προκαλέσει τραυματισμό.

Τοποθετήστε το μηχάνημα σε σταθερό υπόβαθρο. Φροντίστε να στέκεστε σταθερά και η αλυσίδα να μην μπορεί να βρει σε κάποιο αντικείμενο.

Κρατήστε άσχετα προς την εργασία άτομα ή ζώα μακριά από την περιοχή εργασίας.

Κρύος κινητήρας

Εκκίνηση: Το αλυσόφρενο να είναι συνδεδεμένο όταν μπαίνει μπρος το αλυσοπρίονο. Ενεργοποιήστε το φρένο φέρνοντας τον προφυλακτήρα εκτίναξης προς τα εμπρός. (20)

1. Αντλία καυσίμου: Πατήστε μερικές φορές το διάφραγμα της αντλίας καυσίμου μέχρις ότου αρχίζει να γεμίζει με καύσιμο. Δεν χρειάζεται να γεμίσει εντελώς. (23)

2. Τσοκ: Τραβήξτε το μπλε χειριστήριο τσοκ / γκαζιού εκκίνησης πλήρως προς τα έξω (στη θέση FULL CHOKE (Πλήρες τσοκ)). Όταν ο ρυθμιστής τσοκ είναι τραβηγμένος εντελώς, ρυθμίζεται αυτόματα η σωστή θέση εκκίνησης. (21)

Γρήγορο ρελαντί: Σωστός συνδυασμός τσοκ/γρήγορου ρελαντί γίνεται όταν το τσοκ είναι τραβηγμένο στη θέση τσοκ. (22)

Εκκίνηση

Κρατήστε την μπροστινή λαβή με το αριστερό σας χέρι. Κρατήστε το αλυσοπρίονο στο έδαφος τοποθετώντας το δεξι σας πόδι μέσα στην πίσω λαβή.

3. Τραβήξτε τη λαβή εκκίνησης με το δεξι σας χέρι και τραβήξτε αργά το καλώδιο εκκίνησης λειτουργίας μέχρι να αισθανθείτε κάποια αντίσταση (καθώς τα καστάνια του καλωδίου εκκίνησης λειτουργίας σφίγγουν) και, στη συνέχεια, τραβήξτε το σταθερά και γρήγορα μέχρι ο κινητήρας να τεθεί σε λειτουργία. **Ποτέ μην τυλιγείτε το κορδόνι εκκίνησης στο χέρι.** (25)

ΠΡΟΣΟΧΗ! Μην αφήνεται ελεύθερη τη λαβή του σχοινού εκκίνησης όταν είναι τελείως τραβηγμένο. Αυτό μπορεί να κάνει ζημιά στο μηχάνημα.

4. Πιέστε το χειριστήριο τσοκ στη ρύθμιση "1/2 τσοκ" μόλις ο κινητήρας τεθεί σε λειτουργία, ενέργεια η οποία θα ακουστεί σαν ένας ήχος φυσήματος. (21)

5. Συνεχίστε να τραβάτε το καλώδιο με δύναμη, μέχρι

ο κινητήρας να τεθεί σε λειτουργία. (26) Αφήστε τον κινητήρα να ζεσταθεί για τριάντα δευτερόλεπτα και, στη συνέχεια, πιέστε τη σκανδάλη γκαζιού για ρυθμίσετε κανονική ταχύτητα ρελαντί.

Καθώς η πέδηση της αλυσίδας εξακολουθεί να είναι εμπλεγμένη, οι στροφές του κινητήρα πρέπει να ρυθμιστούν στο ρελαντί, όσο το δυνατόν το συντομότερα. Αυτό επιτυγχάνεται με γρήγορο πάτημα του ενεργοποιητή γκαζιού μία φορά. Αυτό αποτρέπει περιττή φθορά του συμπλέκτη, του τυμπάνου συμπλέκτη και της ταινίας φρένου.

Σημείωση! Επαναφέρατε το φρένο της αλυσίδας φέρνοντας την προστασία τινάγματος (με την ένδειξη "PULL BACK TO RESET") προς τη χειρολαβή. Το αλυσοπρίονο είναι τώρα έτοιμο προς χρήση. (27)

Ζεστός κινητήρας

Χρησιμοποιήστε την ίδια διαδικασία με αυτήν που χρησιμοποιείτε για την εκκίνηση κρύου κινητήρα, αλλά χωρίς να θέσετε το χειριστήριο τσοκ στη θέση Choke (Τσοκ). Θέστε το γκάτζι στη θέση εκκίνησης, τραβώντας το μπλε χειριστήριο τσοκ στη θέση Choke (Τσοκ) και έπειτα, ωθώντας το ξανά προς τα μέσα. (24)



ΠΡΟΕΙΔΟΠΟΙΗΣΗ! Εισπνοή καυσαερίων κινητήρα, ομίχλης λαδιών αλυσίδας και σκόνης προιονιδίων για μεγάλο διάστημα μπορεί να προκαλέσει βλάβη στην υγεία σας.

- Ποτέ μην βάζετε μπρος το αλυσοπρίονο αν η λάμα, η αλυσίδα και όλα τα καλύμματα δεν είναι σωστά τοποθετημένα. Βλ. τις οδηγίες στο κεφάλαιο Συναρμολόγηση. Χωρίς τοποθετημένη λάμα και αλυσίδα στο αλυσοπρίονο μπορεί να ξεκολλήσει ο συμπλέκτης και να προκαλέσει σοβαρό τραυματισμό. (28)
- Το φρένο αλυσίδας πρέπει να είναι ενεργοποιημένο όταν βάζετε εμπρός το αλυσοπρίονο. Βλέπε οδηγίες κάτω από την επικεφαλίδα Ξεκίνημα και σταμάτημα. Μην βάζετε ποτέ εμπρός το αλυσοπρίονο αφήνοντάς το να πέσει προς τα κάτω. Αυτή η μέθοδος είναι πολύ επικίνδυνη καθώς είναι εύκολο να χάσετε τον έλεγχο του αλυσοπρίονου. (29)
- Μην βάζετε μπρος το μηχάνημα μέσα σε κλειστό χώρο. Να ξέρετε ότι η εισπνοή των καυσαερίων του κινητήρα είναι επικίνδυνη.
- Κοιτάξτε προσεκτικά γύρω σας και βεβαιωθείτε ότι δεν υπάρχει κίνδυνος να χτυπήσετε άνθρωπο, ή ζώο με τον κοπτικό εξοπλισμό.
- Να κρατάτε πάντα το αλυσοπρίονο και με τα δύο σας χέρια. Πιάστε με το δεξι σας χέρι την πίσω χειρολαβή και με το αριστερό σας χέρι την μπροστινή χειρολαβή. **Όλοι οι χειριστές, και δεξιόχειρες και αριστερόχειρες πρέπει να χρησιμοποιούν αυτή τη λαβή.** Πιάστε σταθερά έτσι ώστε τα δάκτυλα και οι αντίχειρες να πιάνουν γύρω από τις χειρολαβές. (30)

Σταμάτημα

Σταματήστε τον κινητήρα, πατώντας το κουμπί σταματήματος. (31)

Πριν από οποιαδήποτε χρήση: (32)

- 1 Ελέγξτε ότι το αλυσόφρενο λειτουργεί καλά και δεν έχει βλάβες.
- 2 Ελέγξτε ότι το πίσω προστατευτικό δεξιού χεριού δεν έχει βλάβες.
- 3 Ελέγξτε ότι η ασφάλεια γκαζιού λειτουργεί καλά και δεν έχει βλάβες.
- 4 Ελέγξτε ότι ο διακόπτης στοπ λειτουργεί σωστά και ότι δεν έχει υποστεί βλάβη.
- 5 Ελέγξτε ότι όλες οι χειρολαβές είναι καθαρές από λάδια.
- 6 Ελέγξτε ότι το σύστημα απόσβεσης κραδασμών λειτουργεί και δεν έχει βλάβες.
- 7 Ελέγξτε ότι ο σιγαστήρας είναι σταθερά μονταρισμένος και δεν έχει βλάβες.
- 8 Ελέγξτε ότι όλα τα εξαρτήματα του αλυσοπρίονου είναι σφικτά βιδωμένα και ότι δεν έχουν βλάβες ή λείπουν.
- 9 Ελέγξτε ότι η αρπάγη της αλυσίδας βρίσκεται στη θέση της και δεν έχει βλάβες.
- 10 Ελέγξτε το τέντωμα της αλυσίδας.

Γενικές οδηγίες εργασίας

ΣΗΜΑΝΤΙΚΟ!

Αυτό το κεφάλαιο περιέχει βασικούς κανόνες ασφάλειας σε εργασίες με αλυσοπρίονο. Η συγκεκριμένη πληροφορία ποτέ δεν αντικαθιστά τις γνώσεις του επαγγελματία που προέρχονται από εκπαίδευση και εμπειρία στην πράξη. Αν συμβεί να είστε αβέβαιοι για το πώς θα συνεχίσετε τη χρήση του μηχανήματος, να ζητήσετε τη συμβουλή ενός ειδικού. Απευθυνθείτε στην αντιπροσωπεία του αλυσοπρίονου, στο συνεργείο ή σε έναν έμπειρο χρήστη αλυσοπρίονου. Αποφύγετε οποιαδήποτε χρήση για την οποία αισθάνεστε ότι δεν έχετε κατάλληλες γνώσεις!

Πριν τη χρήση του αλυσοπρίονου πρέπει να κατανοήσετε τι σημαίνει τίναγμα και πώς μπορείτε να το αποφύγετε. Βλ. τις οδηγίες στο κεφάλαιο Ενέργειες αποφυγής τίναγματος.

Πριν τη χρήση του αλυσοπρίονου πρέπει να κατανοήσετε τη διαφορά πριονίσματος με την πάνω ή την κάτω πλευρά του οδηγού. Βλέπε οδηγίες κάτω από την επικεφαλίδα Ενέργειες αποτροπής κλωστήματος και Εξοπλισμός ασφαλείας μηχανήματος.

Χρησιμοποιείτε ατομικό προστατευτικό εξοπλισμό. Βλ. τις οδηγίες στο κεφάλαιο Ατομικός προστατευτικός εξοπλισμός.

Βασικοί κανόνες ασφάλειας

- 1 Προσέξτε τον περίγυρό σας:
- Για να βεβαιωθείτε ότι άνθρωποι, ζώα ή άλλα αντικείμενα δεν επηρεάζουν τον έλεγχο που έχετε πάνω στο μηχάνημα.
- Για να αποφύγετε τον κίνδυνο τραυματισμού των προαναφερθέντων, τόσο από την αλυσίδα, όσο και από δέντρα που ρίχνετε.

ΠΡΟΣΟΧΗ! Εφαρμόστε βέβαια τις παραπάνω συμβουλές, αλλά ποτέ μην χρησιμοποιήσετε το αλυσοπρίονο αν δεν έχετε εξασφαλίσει τη δυνατότητα να καλέσετε βοήθεια σε περίπτωση ατυχήματος.

- 2 Αποφύγετε χρήση όταν οι καιρικές συνθήκες είναι ακατάλληλες, όταν για παράδειγμα επικρατεί πυκνή ομίχλη, δυνατή βροχή, ισχυρός άνεμος, μεγάλη παγωνιά κλπ. Όταν ο καιρός είναι κακός τότε η κούραση έρχεται γρηγορότερα και ευκολότερα δημιουργούνται οι επικίνδυνοι παράγοντες, πχ. γλίστρα, επηρεασμός της κατεύθυνσης προς την οποία πέφτει το δέντρο κλπ.
- 3 Να είστε εξαιρετικά προσεκτικοί στο πριόνισμα μικρών κλαδιών και αποφύγετε να πριονίζετε θάμνους (δηλαδή πολλά μικρόκλαδα συγχρόνως). Μικρά κλαδιά μετά το κόψιμο μπορεί να μαγκώσουν στην αλυσίδα, να τραβηχτούν προς εσάς και να σας τραυματίσουν σοβαρά.
- 4 Βεβαιωθείτε ότι μπορείτε να μετακινηθείτε και να σταθείτε με ασφάλεια. Προσέχετε μην υπάρχουν εμπόδια στο δρόμο σας (ρίζες, πέτρες, κλαδιά, λακούβες, χαντάκια κλπ.) αν χρειαστεί να μετακινηθείτε απρόσμενα. Δείξτε μεγάλη προσοχή αν η εργασία γίνεται σε κατηφορικό έδαφος.
- 5 Προσέξτε πολύ όταν κόβετε δένδρο που είναι τεντωμένο. Ένα τεντωμένο δένδρο μπορεί να επανέλθει στην αρχική του θέση πριν ή μετά την κοπή του. Η ασφαλισμένη τοποθέτηση από μέρους σας ή η τομή σε λάθος σημείο μπορεί να έχουν ως αποτέλεσμα το δένδρο να χτυπήσει εσάς ή τη μηχανήμα και να χάσετε τον έλεγχο. Και στις δύο περιπτώσεις μπορεί να προκληθεί σοβαρός τραυματισμός.
- 6 Προτού μετακινήσετε το αλυσοπρίονο, σβήστε τον κινητήρα και ασφαλίστε την αλυσίδα με το φρένο. Μεταφέρετε το αλυσοπρίονο με τον οδηγό και την αλυσίδα στραμμένα προς τα πίσω. Για μετακίνηση σε οποιαδήποτε απόσταση προστατέψτε τον οδηγό με τη θήκη.
- 7 Όταν ακουμπάτε το αλυσοπρίονο στο έδαφος, ασφαλίστε την αλυσίδα με το φρένο αλυσίδας και φροντίστε να έχετε επίβλεψη του μηχανήματος. Σε "παρκάρισμα" περισσότερο χρόνο θα πρέπει να κλείνετε τον κινητήρα.



ΠΡΟΕΙΔΟΠΟΙΗΣΗ! Μερκές φορές κολλάνε ροκανίδια στο κάλυμμα του συμπλέκτη, προκαλώντας φρακάρισμα στην αλυσίδα. Να σβήνετε πάντα τον κινητήρα πριν ξεκινήσετε τη διαδικασία καθαρισμού.

Βασικοί κανόνες

- 1 Γνωρίζοντας τι σημαίνει τίναγμα και πώς προκαλείται, μπορείτε να μειώσετε ή και να εξουδετερώσετε τον παράγοντα αιφνιδiasμός. Ο αιφνιδiasμός αυξάνει τον κίνδυνο ατυχήματος. Τα περισσότερα τίναγματα είναι μικρά, αλλά μερικά είναι αστραπιαία και πολύ βίαια.
- 2 Κρατάτε πάντοτε το πριόνι σταθερά, με το δεξί χέρι στην πίσω χειρολαβή και το αριστερό στην μπροστινή. Οι αντίχειρες και τα δάκτυλα να

αγκαλιάζουν τη χειρολαβή. Ανεξάρτητα αν είστε αριστερόχειρας ή δεξιόχειρας πρέπει να εφαρμόζετε αυτήν την λαβή. Με αυτό το κράτημα μειώνετε τα αποτελέσματα του τινάγματος, ενώ συγχρόνως έχετε το αλυσοπρίονο υπό τον έλεγχό σας. **Μην αφήνετε τις χειρολαβές!**

- 3 Τα περισσότερα ατυχήματα από τινάγμα συμβαίνουν σε κόψιμο κλαδιών. Φροντίστε να στέκεστε σταθερά και να μην υπάρχουν στο έδαφος αντικείμενα στα οποία μπορείτε να σκοντάψετε ή να χάσετε την ισορροπία σας.

Η έλλειψη προσοχής μπορεί να έχει ως συνέπεια η περιοχή τινάγματος να χτυπήσει τυχαία σε κάποιο κλαδί, ένα δέντρο που βρίσκεται εκεί κοντά ή κάποιο άλλο αντικείμενο και να προκληθεί τινάγμα.

Να ελέγχετε το αντικείμενο εργασίας σας. Αν τα κομμάτια που κόβετε είναι μικρά και ελαφριά, μπορούν να μαγκώσουν στην αλυσίδα και να τιναχτούν προς τα πάνω σας. Αν και κάτι τέτοιο δεν είναι ανάγκη να αποτελεί κίνδυνο, μπορεί να αιφνιδιαστείτε και να χάσετε τον έλεγχο του πριονιού. Ποτέ μην πριονίζετε στοιβαγμένους κορμούς ή κλαδιά χωρίς πρώτα να τα έχετε ξεχωρίσει. Να πριονίζετε μόνο έναν κορμό ή κομμάτι την φορά. Αφαιρέστε τα κομμένα κομμάτια για να διατηρείτε ασφαλή τον χώρο εργασίας σας.

- 4 **Ποτέ μην πριονίζετε με το αλυσοπρίονο ψηλότερα απ' τους ώμους σας και αποφεύγετε να πριονίζετε με το άκρο του οδηγού. Ποτέ μην πριονίστε κρατώντας το πριόνι με ένα χέρι! (33)**

- 5 Για να έχετε πλήρη έλεγχο στο αλυσοπρίονο απαιτείται να στέκεστε σταθερά. Ποτέ να μην εργάζεστε ανεβασμένοι σε σκάλα, σε δέντρο ή σε σημείο όπου το δάπεδο δεν είναι σταθερό. (34)

- 6 Πριονίζετε με υψηλή ταχύτητα, δηλ. με τον κινητήρα σε φουλ στροφές.

- 7 Να είστε ιδιαίτερα προσεκτικοί όταν πριονίζετε με την πάνω πλευρά της αλυσίδας, δηλ. όταν πριονίζετε το αντικείμενο από κάτω προς τα πάνω. Αυτός ο τρόπος ονομάζεται πριόνισμα με σπρώξιμο αλυσίδας. Η αλυσίδα σπρώχνει το αλυσοπρίονο προς τα πίσω, προς τον χειριστή. Αν μαγκώσει η αλυσίδα μπορεί το αλυσοπρίονο να πεταχτεί προς τα πίσω και πάνω σας.

- 8 Αν ο χειριστής δεν κρατήσει κόντρα υπάρχει κίνδυνος το αλυσοπρίονο να οπισθοδρομήσει τόσο ώστε μόνο η περιοχή τινάγματος να βρίσκεται σε επαφή με το δέντρο και να προκληθεί έτσι τινάγμα του οδηγού. (35)

Όταν πριονίζετε με την κάτω πλευρά της αλυσίδας, δηλ. κόβοντας από πάνω προς τα κάτω το αντικείμενο, ο τρόπος αυτός ονομάζεται πριόνισμα με τράβηγμα της αλυσίδας. Στην περίπτωση αυτή το αλυσοπρίονο τραβιέται προς το δέντρο και το μπροστινό τμήμα του αλυσοπρίονου στηρίζεται φυσιολογικά στο κορμό κατά την κοπή. Το πριόνισμα με τράβηγμα της αλυσίδας επιτρέπει γενικά στο χειριστή καλύτερο έλεγχο του αλυσοπρίονου και ειδικά της περιοχής οδηγού όπου μπορεί να προκληθεί ένα τινάγμα.

- 9 Ακολουθείτε τις οδηγίες ακονίσματος και συντήρησης, τόσο του οδηγού όσο και της αλυσίδας. Σε αλλαγή οδηγού και αλυσίδας πρέπει

να χρησιμοποιήσετε μόνο τους συνδυασμούς που σας συστήνουμε. Βλ. τις οδηγίες στα κεφάλαια Κοπτικός εξοπλισμός και Τεχνικά στοιχεία.

Βασική τεχνική πριονίσματος



ΠΡΟΕΙΔΟΠΟΙΗΣΗ! Ποτέ μην χειρίζεστε ένα αλυσοπρίονο κρατώντας το με ένα μόνο χέρι. Ένα αλυσοπρίονο δεν ελέγχεται με ασφάλεια με ένα μόνο χέρι. Να κρατάτε πάντοτε τις χειρολαβές, σταθερά και με τα δύο σας χέρια.

Γενικά

- Πριονίζετε πάντοτε με φουλ γκάζι!
- Αφήνετε τον κινητήρα στο ρελατίβ μετά από κάθε πριονιά (μεγάλης διάρκειας λειτουργία με πλήρεις στροφές χωρίς φορτίο, δηλαδή χωρίς καθόλου αντίσταση από την αλυσίδα κατά την κοπή, μπορεί να προκαλέσει σοβαρή ζημία στον κινητήρα).
- Όταν κόβετε από πάνω προς τα κάτω = η αλυσίδα "τραβάει".
- Όταν κόβετε από κάτω προς τα πάνω = η αλυσίδα "σπρώχνει".

Η κοπή από κάτω προς τα πάνω αυξάνει τον κίνδυνο τινάγματος. Βλ. τις οδηγίες στο κεφάλαιο Ενέργειες αποφυγής τινάγματος.

Ονομασίες

Κοπή = Γενική ονομασία για το κόψιμο ξύλου.

Κλάδεμα = Κόψιμο κλαδιών από πεσμένο δέντρο.

Τσάκισμα = Όταν το αντικείμενο σπάει πριν τελειώσετε την πριονιά.

Για κάθε κοπή υπάρχουν πέντε σημαντικοί παράγοντες που πρέπει να προσέξετε:

- 1 Ο κοπτικός εξοπλισμός δεν πρέπει να μαγκώσει στην πριονοτομή.
- 2 Το αντικείμενο που κόβετε δεν πρέπει να τσακίσει.
- 3 Η αλυσίδα δεν πρέπει να χτυπήσει στο έδαφος ή άλλο αντικείμενο κατά το πριόνισμα ή μετά απ' αυτό.
- 4 Υπάρχει κίνδυνος τινάγματος?
- 5 Μπορεί η μορφολογία του εδάφους και της γύρω περιοχής να επηρεάσει την ασφάλειά σας κατά την εργασία?

Η αλυσίδα μπορεί να μαγκώσει και το ξύλο μπορεί να τσακίσει για δύο λόγους: ανάλογα με το πώς στηρίζεται το ξύλο πριν και μετά το κόψιμό του και ανάλογα με το τέντωμα που έχει.

Οι ανεπιθύμητες καταστάσεις που αναφέρθηκαν προηγούμενος στις περιπτώσεις περιπτώσεις μπορούν να αποφευχθούν αν η κοπή γίνεται σε δύο στάδια. Μια πριονιά από πάνω και μια από κάτω. Με το τρόπο αυτό εξουδετερώνεται την πιθανότητα να μαγκώσει η αλυσίδα

ΣΗΜΑΝΤΙΚΟ! Αν η αλυσίδα μαγκώσει στην τομή: σβήστε τον κινητήρα! Μην προσπαθήσετε να την ξεμαγκώσετε τραβώντας το αλυσοπρίονο. Αν το κάνετε μπορεί να τραυματιστείτε από την αλυσίδα, αν ξεμαγκώσει ξαφνικά. Χρησιμοποιήστε μοχλό για να ανοίξετε την τομή και να ελευθερώσετε το αλυσοπρίονο.

Οι ακόλουθες οδηγίες περιγράφουν θεωρητικά πώς μπορείτε να αντιμετωπίσετε τις πιο συνηθισμένες καταστάσεις που ενδέχεται να συμβούν σε ένα χειριστή αλυσοπρίονου.

Κλάδεμα

Κατά το κλάδεμα χοντρών κλαδιών ισχύουν οι ίδιοι κανόνες που ισχύουν για την κοπή.

Κόβετε τα δύσκολα κλαδιά κομμάτι με κομμάτι.

Κοπή



ΠΡΟΕΙΔΟΠΟΙΗΣΗ! Ποτέ μην προσπαθήσετε να πριονίσετε στοιβαγμένους κορμούς ή όταν βρίσκονται δίπλα-δίπλα. Τέτοιοι τρόποι χειρισμού αυξάνουν δραστικά τον κίνδυνο κλωστήματος που μπορεί να καταλήξει σε σοβαρό ή θανατηφόρο τραυματισμό.

Αν έχετε μια στοιβα με κορμών, θα πρέπει ο κάθε κορμός που σκέφτεστε να κόψετε, να αφαιρεθεί από τη στοιβα, να τοποθετηθεί σε βάση και να κοπεί ξεχωριστά.

Αφαιρέστε τα κομμένα κομμάτια από το χώρο εργασίας. Αφήνωτάς τα στο χώρο εργασίας, και αυξάνετε τον κίνδυνο κλωστήματος από λάθος, και τον κίνδυνο να χάσετε την ισορροπία όταν δουλεύετε.

Ο κορμός βρίσκεται στο έδαφος. Ο κίνδυνος μαγκώματος της αλυσίδας ή τσακίσματος του αντικειμένου είναι μικρός. Υπάρχει όμως μεγάλος κίνδυνος να χτυπήσετε με την αλυσίδα το χώμα στο τέλος της κοπής.

Κόψτε από πάνω προς τα κάτω με μεγάλη προσοχή προς το τέλος. Προσπαθήστε να μην ακουμπήσετε το έδαφος στο τέλος της κοπής. Διατηρήστε φουλ γκάτζι, αλλά να είστε προετοιμασμένοι για την περίπτωση που θα πιαστεί η αλυσίδα. **(36)**

Αν υπάρχει δυνατότητα (μπορεί να περιστραφεί ο κορμός;) σταματήστε το πριόνισμα στα 2/3. Περιοστρέψτε τον κορμό και κόψτε το υπόλοιπο 1/3 από πάνω.

Ο κορμός στηρίζεται στο ένα άκρο. Μεγάλος κίνδυνος τσακίσματος.

Αρχίστε να κόβετε από κάτω (περ. 1/3 της διαμέτρου του κορμού).

Τελειώστε το πριόνισμα από πάνω μέχρι να συναντηθούν οι τομές.

Ο κορμός στηρίζεται και στα δυο άκρα του. Μεγάλος κίνδυνος μαγκώματος της αλυσίδας.

Αρχίστε να κόβετε από πάνω (περ. 1/3 της διαμέτρου).

Τελειώστε κόβοντας από κάτω μέχρι να συναντηθούν οι τομές.

Τεχνική κοπής δέντρων

ΣΗΜΑΝΤΙΚΟ! Απαιτείται μεγάλη εμπειρία για να ριζετε σωστά ένα δέντρο. Ένας άπειρος χειριστής αλυσοπρίονου δεν πρέπει να ρίχνει δέντρα. Αποφύγετε εργασίες για τις οποίες δεν είστε σίγουρος ότι έχετε την απαιτούμενη εμπειρία!

Απόσταση ασφαλείας

Η απόσταση ασφαλείας μεταξύ δέντρου που θα κοπεί και πλησιέστερου σημείου εργασίας άλλων, πρέπει να είναι 2,5 τουλάχιστον φορές το μήκος του δέντρου. Βεβαιωθείτε ότι κανείς δεν βρίσκεται σ' αυτήν την "ζώνη κινδύνου" πριν ή κατά το ριζίμο. **(37)**

Κατεύθυνση πτώσης

Ο στόχος με το ριζίμο δέντρου είναι να πέσει έτσι ώστε το μετέπειτα κλάδεμα και το κόψιμο του κορμού να γίνει όσο πιο εύκολα γίνεται. Θέλετε να πέσει στο έδαφος έτσι ώστε να μπορείτε να στέκεστε και να κινείστε με ασφάλεια.

Αφού πάρετε την απόφασή σας για το πού θέλετε να πέσει το δέντρο, εκτιμήστε πώς θα έπεφτε το δέντρο αν έπεφε μόνο του.

Οι παράγοντες που επηρεάζουν κάτι τέτοιο είναι:

- Κλίση
- Καμπύλωση
- Κατεύθυνση αέρα
- Πού είναι μαζεμένα πολλά κλαδιά
- Πιθανό βάρος χιονιού πάνω στα κλαδιά
- Εμπόδια εντός της ακτίνας του δέντρου: π.χ. άλλα δέντρα, ηλεκτροφόρα καλώδια, δρόμοι και κτίρια.
- Ελέγξτε για φθορές ή σαπίλα στον κορμό που μπορεί να κάνουν πιο πιθανή μια πτώση του δέντρου πριν να το περιμένετε.

Αφού κάνετε αυτές τις εκτιμήσεις μπορεί να είστε υποχρεωμένος να αφήσετε να πέσει το δέντρο όπως θα έπεφε μόνο του, γιατί είναι αδύνατο ή πολύ επικίνδυνο να το ριζετε σε άλλη κατεύθυνση.

Ένας άλλος σημαντικότερος παράγοντας, που δεν επηρεάζει την κατεύθυνση πτώσης, αλλά την προσωπική σας ασφάλεια, είναι να ελέγξετε αν το δέντρο έχει σπασμένα ή "νεκρά" κλαδιά, που μπορεί να αποσπαστούν και να σας τραυματίσουν κατά την εργασία κοπής.

Αυτό που πρέπει ιδιαίτερα να αποφύγετε είναι να πέσει το δέντρο πάνω σε άλλο. Είναι πολύ επικίνδυνο να μετακινήσετε ένα παγιδευμένο δέντρο και υπάρχει μεγάλος κίνδυνος ατυχήματος. Τις οδηγίες στο κεφάλαιο Απελευθέρωση του δέντρου που έπεσε αντικανονικά.

ΣΗΜΑΝΤΙΚΟ! Κατά τη διάρκεια κρίσιμων εργασιών κοπής, τα προστατευτικά ακοής πρέπει να ανασφώνονται αμέσως όταν ολοκληρωθεί η κοπή έτσι ώστε να μπορούν να ακούγονται οι ήχοι και τα προειδοποιητικά σήματα.

Κλάδεμα χαμηλών κλαδιών και προετοιμασία διαδρόμου ασφάλειας

Ξεκλαρίστε τον κορμό ως το ύψος των ώμων. Είναι πιο ασφαλές να δουλεύετε από πάνω προς τα κάτω και να παρεμβάλεται ο κορμός μεταξύ εσάς και του πριονιού.

Καθαρίστε την περιοχή από παραφιάδες, θάμνους κλπ. γύρω απ' το δέντρο και προσέξτε τα ενδεχόμενα εμπόδια (πέτρες, κλαδιά, λακκούβες κλπ), ώστε να έχετε έναν διάδρομο ασφάλειας να τραβηχτείτε καθώς πέφτει το δέντρο. Ο διάδρομος αυτός πρέπει να καλύπτει περί τις 135° πίσω από την κατεύθυνση που υπολογίζετε ότι θα πέσει το δέντρο. **(38)**

- 1 Ζώνη κινδύνου
- 2 Οδός διαφυγής
- 3 Κατεύθυνση πτώσης

Ανατροπή



ΠΡΟΕΙΔΟΠΟΙΗΣΗ! Συμβουλευόμε όσους δεν έχουν την κατάλληλη εμπειρία και εκπαίδευση να μην επιχειρήσουν ριζισμό δένδρων με μεγαλύτερη διάμετρο από το μήκος του οδηγού του πριονιού τους!

Η ανατροπή γίνεται με τρεις πριονοτομές. Πρώτα κάνετε τις τομές κατεύθυνσης που αποτελούνται από την πάνω τομή και την κάτω τομή και αποτελώνεται με την τομή πτώσης. Αν γίνουν σωστά αυτές οι πριονοτομές μπορείτε να ελέγξετε με αρκετή ακρίβεια την κατεύθυνση πτώσης.

Τομές κατεύθυνσης

Για να κάνετε τις τομές κατεύθυνσης αρχίζετε με την πάνω τομή. Σταθείτε στα δεξιά του δέντρου και πριονίστε προς τα κάτω λοξά.

Πριονίστε κατόπιν παρόμοια την κάτω τομή, η οποία να τελειώνει ακριβώς εκεί που τελειώνει η πάνω τομή. **(39)**

Η τομή κατεύθυνσης πρέπει να έχει βάθος 1/4 της διαμέτρου του κορμού και η γωνία πάνω και κάτω τομής να είναι τουλάχιστον 45°.

Το σημείο συνάντησης των δύο τομών ονομάζεται γραμμή τομής κατεύθυνσης. Η γραμμή αυτή πρέπει να είναι ακριβώς οριζόντια και συγχρόνως να σχηματίζει ορθή γωνία (90°) προς την κατεύθυνση πτώσης. **(40)**

Τομή πτώσης

Αυτή η τομή γίνεται από την αντίθετη πλευρά του δέντρου και πρέπει να είναι απολύτως οριζόντια. Σταθείτε στα αριστερά του δέντρου και πριονίστε με την κάτω πλευρά της αλυσίδας.

Αρχίστε την τομή πτώσης περ. 3-5 cm (1,5-2 ίντσες) παράλληλα και πάνω από το οριζόντιο επίπεδο της κάτω τομής κατεύθυνσης.

Τοποθετήστε τον οδοντωτό προφυλακτήρα (αν έχει το μηχανήμα) πίσω από τη λωρίδα ανατροπής. Δώστε φουλ γκάτζι και πριονίστε με αργή κίνηση. Προσέχετε συγχρόνως μήπως το δέντρο κινείται προς αντίθετη κατεύθυνση απ' αυτήν που διαλέξατε. Βάλτε μια σφήνα ή μια μπάρα ανατροπής στην τομή πτώσης μόλις πριονίσετε στο κατάλληλο βάθος. **(41)**

Η τομή πτώσης πρέπει να σταματήσει παράλληλα με τη γραμμή τομής κατεύθυνσης ώστε η απόσταση των δύο γραμμών να είναι τουλάχιστο όσο το 1/10 της διαμέτρου του κορμού. Το άκοπο τμήμα του κορμού ονομάζεται λωρίδα ανατροπής.

Η λωρίδα ανατροπής λειτουργεί σαν σφήνα και διευθύνει την κατεύθυνση πτώσης. **(42)**

Δεν έχετε κανέναν έλεγχο κατεύθυνσης πτώσης εάν η λωρίδα είναι πολύ λεπτή ή ανύπαρκτη ή οι τομές κατεύθυνσης και πτώσης είναι τοποθετημένες λάθος.

Όταν οι τομές κατεύθυνσης και πτώσης είναι ολοκληρωμένες, το δέντρο αρχίζει να γέρνει μόνο του ή το βοηθάτε με τη σφήνα ή τη μπάρα ανατροπής.

Προτείνουμε τη χρήση μιας λάμας με μήκος που να υπερβαίνει τη διάμετρο κορμού του δέντρου, ώστε το ριζισμό και η κατεύθυνση κοπής να γίνουν με τη λεγόμενη "απλή τομή". Βλέπε οδηγίες κάτω από την επικεφαλίδα Τεχνικά στοιχεία όσο αφορά το μήκος της λάμας που προτείνεται για το αλυσοπριόνό σας.

Υπάρχουν μέθοδοι ανατροπής δέντρων με διάμετρο μεγαλύτερη από το μήκος οδηγού. Μ' αυτές τις μεθόδους διατρέχετε πολύ μεγάλο κίνδυνο να έρθει η περιοχή πρόκλησης τινάγματος στο οδηγό σε επαφή με το δέντρο.

Απελευθέρωση δέντρου που έπεσε αντικανονικά

Απελευθέρωση "παγιδευμένου δέντρου"

Είναι πολύ επικίνδυνο να μετακινήσετε ένα παγιδευμένο δέντρο και υπάρχει μεγάλος κίνδυνος ατυχήματος.

Ποτέ μην προσπαθήσετε να κόψετε το πεσμένο δέντρο.

Μην εργάζεστε ποτέ εντός της επικίνδυνης περιοχής ριγμένων δέντρων.

Η πιο σίγουρη μέθοδος είναι να χρησιμοποιήσετε βίντσι.

- Μονταρισμένο σε τρακτέρ
- Φορητό

Πριόνισμα τεντωμένων δέντρων και κλαδιών

Προετοιμασίες: Υπολογίστε προς ποια κατεύθυνση θα κινηθεί το δέντρο ή το κλαδί εάν ελευθερωθεί και πού έχει το σημείο σπασίματος του (δηλ. το σημείο στο οποίο θα έσπαζε μόνο του, αν λύγιζε περισσότερο).

Αποφασίστε ποιος είναι ο ασφαλέστερος τρόπος να χαλαρώσετε το τέντωμα και αν εσείς μπορείτε να το κάνετε ασφαλώς. Σε περίπλοκες καταστάσεις είναι προτιμότερο και ασφαλέστερο να αφήσετε το αλυσοπριόνιο και να χρησιμοποιήσετε το βίντσι.

Γενικά ισχύει:

Πάρτε τέτοια θέση, ώστε να μην κινδυνεύετε να χτυπηθείτε από τον κορμό/κλαδί όταν απελευθερώνεται το τέντωμα.

Κάντε μια ή περισσότερες τομές πάνω ή κοντά στο σημείο μέγιστου τεντώματος. Πριονίστε τόσο βαθιά και με όσες πριονιές χρειάζεται για να ελευθερωθεί το

τέντωμα του κορμού/κλαδιού και ο κορμός/το κλαδί να σπάσει στο σημείο μέγιστου τεντώματος.

Μην πριονίζετε ποτέ πέρα για πέρα κορμό ή κλαδί που είναι τεντωμένο!

Αν πρέπει να πριονίσετε πέρα ως πέρα το δέντρο/κλαδί, κάντε δύο ή τρεις τομές με 3 εκατοστά κενό και 3-5 εκατοστά βάθος.

Συνεχίστε να κόβετε πιο βαθιά μέχρι να απελευθερωθεί η ένταση και το δέσιμο του δέντρου/κλαδιού.

Κόψτε το δέντρο.κλαδί από την αντίθετη πλευρά εφόσον έχει απελευθερωθεί η έντασή του.

Ενέργειες πρόληψης τινάγματος



ΠΡΟΕΙΔΟΠΟΙΗΣΗ! Τα τινάγματα μπορεί να είναι ξαφνικά και βίαια. Μπορεί να τινάξουν πάνω σας το πριόνι ολόκληρο, τον οδηγό και την αλυσίδα. Όταν κινείται η αλυσίδα και χτυπήσει κάποιον μπορεί να τον τραυματίσει σοβαρά, ακόμη και θανατηφόρα. Είναι απολύτως απαραίτητο να κατανοήσετε τι προκαλεί τα τινάγματα του πριονιού και πώς μπορείτε να τα αποφύγετε δείχνοντας προσοχή και εφαρμόζοντας σωστή τεχνική εργασίας.

Τι είναι τινάγμα?

Τινάγμα ονομάζεται μια ξαφνική αντίδραση κατά την οποία το αλυσοπρίονο και ο οδηγός αναπηδούν από ένα αντικείμενο, με το οποίο ήρθε σε επαφή το πάνω άκρο του οδηγού, η λεγόμενη περιοχή πρόκλησης τινάγματος του οδηγού. **(43)**

Το τινάγμα συμβαίνει πάντοτε στο επίπεδο κοπής του πριονιού. Συνήθως τινάζεται το αλυσοπρίονο και ο οδηγός προς τα πάνω και πίσω, προς τον χειριστή. Ωστόσο συμβαίνουν τινάγματα και προς άλλες κατευθύνσεις, ανάλογα με τον τρόπο χρήσης του πριονιού τη στιγμή που έρχεται σε επαφή με το αντικείμενο.

Τινάγμα μπορεί να προκληθεί μόνο όταν η περιοχή τινάγματος του οδηγού έρθει σε επαφή με κάποιο αντικείμενο. **(44)**

Κλάδεμα



ΠΡΟΕΙΔΟΠΟΙΗΣΗ! Τα περισσότερα ατυχήματα με κλωστήματα συμβαίνουν στο ξεκλάρισμα. Μην κάνετε χρήση του τμήματος της λάμας που προκαλεί κίνδυνο κλωστήματος. Να είστε πολύ προσεκτικοί και να αποφεύγετε να φέρνετε σε επαφή τη μύτη της λάμας με το κορμό, με άλλα κλαδιά ή με αντικείμενα. Να είστε πολύ προσεκτικοί με κλαδιά που είναι τεντωμένα. Μπορεί να τιναχτούν προς το μέρος σας και να σας κάνουν να χάσετε την ισορροπία, πράγμα που μπορεί να καταλήξει σε τραυματισμό.

Βεβαιωθείτε ότι μπορείτε να στέκεστε και να κινείστε με ασφάλεια. Εργάζεστε στην αριστερή πλευρά του κορμού. Κρατάτε το αλυσοπρίονο όσο το δυνατό πλησιέστερα στο σώμα σας, για καλύτερο έλεγχο. Αν γίνεται, αφήνετε το βάρος του πριονιού να ακουμπάει στον κορμό.

Να αλλάζετε θέση μόνο όταν έχετε τον κορμό ανάμεσα στο αλυσοπρίονο και σε εσάς.

Κομμάτισμα κορμού

Βλ. τις οδηγίες στο κεφάλαιο Βασική τεχνική πριονίσματος.

Γενικά

Ο χρήστης επιτρέπεται να κάνει μόνο όσες εργασίες επισκευής και συντήρησης περιγράφονται σε αυτό το εγχειρίδιο χρήσης. Περαιτέρω εργασίες πρέπει να εκτελούνται μόνο από εξουσιοδοτημένο συνεργείο επισκευών.

Ρύθμιση καρμπυρατέρ

Το προϊόν Jonsered που αγοράσατε είναι σχεδιασμένο και κατασκευασμένο σύμφωνα με τις προδιαγραφές για μειωμένες εκπομπές βλαβερών καυσαερίων.

Λειτουργία

- Με το ρυθμιστή του γκαζιού του καρμπυρατέρ ελέγχει τις στροφές του κινητήρα. Στο καρμπυρατέρ αναμειγνύονται αέρας/καύσιμο. Το μίγμα αέρα/καύσιμου είναι ρυθμιζόμενο. Ρυθμίστε σωστά την ανάμειξη τους, για να έχετε την καλύτερη απόδοση.
- Η βίδα T ρυθμίζει τη θέση του γκαζιού στο ρελαντί. Με στρίψιμο της βίδας T προς τα δεξιά έχετε υψηλότερες στροφές ρελαντί. Με στρίψιμο προς τα αριστερά έχετε χαμηλότερες στροφές ρελαντί.

Βασική ρύθμιση και στρώσιμο

Το καρμπυρατέρ ρυθμίζεται στη βασική του θέση από το εργοστάσιο. Οι ρυθμίσεις ακριβείας θα πρέπει να πραγματοποιούνται από έμπειρο τεχνικό.

Συνιστ. στροφές ρελαντί: Βλ. κεφάλαιο Τεχνικά στοιχεία.

Τελική ρύθμιση του ρελαντί T

Η τελική ρύθμιση του ρελαντί γίνεται με τη βίδα T. Αν απαιτείται ρύθμιση, βιδώστε προς τα δεξιά τη βίδα T του ρελαντί, με τον κινητήρα σε λειτουργία και μέχρι ν' αρχίσει να κινείται η αλυσίδα. Ανοίξτε (ξεβιδώστε προς τ' αριστερά) μέχρις ότου σταματήσει η κίνηση της αλυσίδας. Σωστή ρύθμιση έχετε όταν ο κινητήρας λειτουργεί ομαλά σε όλες τις θέσεις, με αρκετό περιθώριο έως τις στροφές που θέτουν σε κίνηση την αλυσίδα.



ΠΡΟΕΙΔΟΠΟΙΗΣΗ! Αν δεν καταφέρετε να ρυθμίσετε το ρελαντί ώστε να έχετε ακίνητη αλυσίδα, ελάτε σε επαφή με το συνεργείο σας. Μη χρησιμοποιήσετε το αλυσοπρίονο πριν το ρυθμίσετε σωστά ή πριν το επισκευάσετε.

Ελεγχος, συντήρηση και σέρβις του προστατευτικού εξοπλισμού του αλυσοπρίονου

Σημείωση! Οποιαδήποτε συντήρηση και επισκευή του μηχανήματος απαιτεί ειδική εκπαίδευση. Αυτό ισχύει ειδικά για τον εξοπλισμό ασφαλείας του μηχανήματος. Αν το μηχανήμα δεν περνάει κάποιον από τους παρακάτω ελέγχους, σας συνιστούμε να επισκεφθείτε το συνεργείο επισκευής σας. Οποιαδήποτε άλλη συντήρηση εκτός αυτής που αναφέρεται στο φυλλάδιο αυτό, θα πρέπει να γίνεται από εξουσιοδοτημένο συνεργείο (αντιπροσωπεία).

Σβήστε τον κινητήρα και βγάλτε το καλώδιο ανάφλεξης του μπουζί πριν από κάθε σέρβις ή συντήρηση

Αλυσόφρενο με προφυλακτήρα τινάγματος

Ελεγχος φθοράς ταινίας φρένου

Καθαρίστε το αλυσόφρενο και το ταμπούρο σύμπλεξης από προιονδία, ρετσίνα ή άλλες βρωμιές. Οι ακαθαρσίες και η φθορά επηρεάζουν τη λειτουργία φρεναρίσματος. **(45)**

Ελέγχετε τακτικά ότι το πάχος της φρενοταινίας δεν είναι λιγότερο από 0,6 mm στο πιο φθαρμένο μέρος.

Ελεγχος προφυλακτήρα

Ελέγξτε ότι ο προφυλακτήρας τινάγματος είναι χωρίς ζημιές και χωρίς ορατά ελαττώματα, πχ. ραγίσματα.

Φέρτε τον προφυλακτήρα τινάγματος προς τα μπρος και πίσω και βεβαιωθείτε ότι κινείται ανεμπόδιστα, καθώς επίσης και ότι είναι σταθερά στερεωμένος στο κάλυμμα του συμπλέκτη. **(46)**

Ελεγχος του αυτόματου φρένου

Κρατήστε το αλυσοπρίονο, με τον κινητήρα κλειστό, πάνω από ένα κούτσουρο ή πάνω από κάποιο άλλο σταθερό αντικείμενο. Αφήστε τη μπροστινή χειρολαβή και αφήστε το αλυσοπρίονο να πέσει από το ίδιο το βάρος του, περιστρεφόμενο γύρω από την πίσω χειρολαβή προς το κούτσουρο.

Μόλις η άκρη του οδηγού χτυπήσει στο κούτσουρο, θα πρέπει να φρενάρι η αλυσίδα. (47)

Ελεγχος φρεναρίσματος

Τοποθετήστε το αλυσοπρίονο πάνω σε ένα σταθερό υπόβαθρο και βάλτε το μπροστά. Η αλυσίδα να μην έρχεται σε επαφή με το χώμα ή άλλο αντικείμενο. Δείτε τις οδηγίες στο κεφάλαιο Εκκίνηση και Σταμάτημα.

Κρατάτε το αλυσοπρίονο σταθερά, με αντίχειρες και δάχτυλα κλειστά πάνω στις χειρολαβές.

Δώστε φουλ γκάζι και ενεργοποιήστε το αλυσόφρενο στρίβοντας τον αριστερό καρπό προς τον προφυλακτήρα τινάγματος. Μην αφήσετε την μπροστινή χειρολαβή. **Η αλυσίδα θα πρέπει να φρενάρι αμέσως.**

Ασφάλεια γκαζιού

- Βεβαιωθείτε ότι το γκάζι είναι κλειδωμένο στη θέση του ρελαντί, όταν η ασφάλεια γκαζιού ελευθερώνεται.
- Πιέστε την ασφάλεια γκαζιού και βεβαιωθείτε ότι επανέρχεται στην αρχική της θέση όταν την αφήνετε.
- Βεβαιωθείτε ότι το γκάζι και η ασφάλεια γκαζιού κινούνται ανεμπόδιστα και ότι τα ελατήρια επαναφοράς τους λειτουργούν όπως πρέπει.
- Βάλτε μπρος το πριόνι και δώστε φουλ γκάζι. Αφήστε το γκάζι και ελέγξτε ότι η αλυσίδα σταματάει και εξακολουθεί να είναι ακίνητη. Αν η αλυσίδα περιστρέφεται με το γκάζι σε θέση ρελαντί πρέπει να ελέγξετε τη ρύθμιση του ρελαντί στο καρμπυρατέρ.

Ασφάλεια συγκράτησης αλυσίδας

Ελέγξτε ότι ασφάλεια συγκράτησης αλυσίδας δεν έχει ζημιές και είναι σταθερά στερεωμένη στο σώμα του πριονιού.

Προφυλακτήρας δεξιού χεριού

Βεβαιωθείτε ότι ο προφυλακτήρας δεξιού χεριού είναι χωρίς ζημιές και χωρίς ορατά ελαττώματα, πχ. ραγίσματα.

Σύστημα απόσβεσης κραδασμών

Ελέγχετε τακτικά τα τμήματα του συστήματος απόσβεσης κραδασμών, προσέχοντας για ραγίσματα ή παραμορφώσεις.

Βεβαιωθείτε ότι οι μονάδες απόσβεσης κραδασμών είναι στερεωμένες ασφαλώς ανάμεσα στον κινητήρα και τις χειρολαβές.

Διακόπτης Στοπ

Ξεκινήστε τη μηχανή και βεβαιωθείτε ότι ο κινητήρας σταματάει μόλις φέρνετε το διακόπτη στη θέση στοπ.

Σιγαστήρας

Μη χρησιμοποιείτε ποτέ ένα μηχανήμα με ελαττωματικό σιγαστήρα. Βεβαιώστε τακτικά ότι ο σιγαστήρας είναι γερά στερεωμένος στο μηχανήμα.

Σημείωση: Το δίχτυ συγκράτησης σπινθήρων (Α) σε αυτό το μηχανήμα μπορεί να αλλάξει. (48) Αν το δικτυωτό φίλτρο έχει τυχόν βλάβες να το αντικαταστήσετε. Ενα φραγμένο από ακαθαρσίες δικτυωτό φίλτρο προκαλεί υπερθέρμανση κινητήρα, με συνέπεια βλάβες στον κύλινδρο και το έμβολο. Μη χρησιμοποιείτε ποτέ το μηχανήμα με ελαττωματικό σιγαστήρα. **Ποτέ μη χρησιμοποιείτε σιγαστήρα χωρίς ή με ελαττωματικό δικτυωτό φίλτρο σπινθήρων.**

Ενας απλός ιδιώτης χρήστης δεν χρειάζεται να αλλάξει το σιγαστήρα και το δίχτυ συγκράτησης σπινθήρων.

Φίλτρο αέρα

Το φίλτρο αέρα πρέπει να καθαρίζεται τακτικά από σκόνη και ακαθαρσίες για να αποφεύγετε:

- Κακή λειτουργία του καρμπυρατέρ
- Προβλήματα εκκίνησης
- Μείωση ισχύος κινητήρα
- Περιττή φθορά του κινητήρα
- Αφύσικα υψηλή κατανάλωση καυσίμων.
- Το φίλτρο αέρα (3) βγαίνει μετά την αφαίρεση του καλύματος κυλίνδρου, της βίδας (1) και του καλύματος του φίλτρου αέρα (2). Κατά τη συναρμολόγηση, φροντίστε το φίλτρο αέρα να εφαρμόζει εντελώς πάνω στη θήκη. Τινάξτε ή καθαρίστε το φίλτρο με βούρτσα. (49)

Καλύτερο καθαρίσμα επιτυγχάνεται εάν το φίλτρο αέρα πλυθεί σε σαπουνόνερο.

Φίλτρο αέρα που χρησιμοποιήθηκε για αρκετό καιρό, δεν μπορεί να καθαριστεί εντελώς. Για το λόγο αυτό το φίλτρο αντικαθίσταται περιοδικά με ένα καινούργιο.

Φίλτρο αέρα που έχει βλάβες πρέπει πάντοτε να αντικαθίσταται.

Μπουζί

Η κατάσταση του μπουζιού επηρεάζεται από:

- Ελαττωματικά ρυθμισμένο καρμπυρατέρ.
- Λανθασμένο μίγμα καυσίμου (υπερβολική ποσότητα ή ακατάλληλος τύπος λαδιού).
- Βρώμικο φίλτρο αέρα.

Αυτοί οι παράγοντες δημιουργούν στρώματα ακαθαρσιών στα ηλεκτρόδια, που προκαλούν ανωμαλίες λειτουργίας γενικά και δυσκολίες στην εκκίνηση.

Αν η απόδοση του μηχανήματος είναι χαμηλή, αν είναι δύσκολο το ξεκίνημα ή το ρελαντί είναι αδύνατο: πρώτα-πρώτα να ελέγχετε το μπουζί πριν κάνετε ο,τιδήποτε άλλο. Αν το μπουζί είναι φραγμένο από ακαθαρσίες, καθαρίστε το και ρυθμίστε το διάκενο του ηλεκτροδίου στα 0,5 mm. Το μπουζί πρέπει να το αλλάζετε μετά από ένα μήνα λειτουργίας και αν είναι απαραίτητο συχνότερα. (50)

Σημείωση! Χρησιμοποιείτε πάντοτε τον τύπο μπουζιού που συστήνεται! Λάθος τύπος μπορεί να προκαλέσει ζημιά στο έμβολο/κύλινδρο. Ελέγξτε αν το μπουζί είναι εφοδιασμένο με συμπίεση.

Πρόγραμμα συντήρησης

Παρακάτω ακολουθεί ένας κατάλογος για τη συντήρηση που πρέπει να γίνεται στο μηχανήμα. Τα περισσότερα σημεία περιγράφονται στο κεφάλαιο Συντήρηση.

Καθημερινή φροντίδα (Κάθε 5-10 ώρες)	Εβδομαδιαία φροντίδα (Κάθε 10-25 ώρες)	Μηνιαία φροντίδα (Κάθε 25-40 ώρες)
Καθαρίστε εξωτερικά το μηχανήμα.	Ελέγξτε το μηχανισμό εκκίνησης, το κορδόνι εκκίνησης και το ελατήριο επαναφοράς.	Ελέγξτε τον ιμάντα φρένου στο φρένο αλυσίδας όσον αφορά τη φθορά. Αντικαταστήστε όταν απομένουν λιγότερα από 0,6 χιλ. στο πιο φθαρμένο μέρος.
Βεβαιωθείτε ότι τα μέρη του ρυθμιστή γκαζιού, λειτουργούν ομαλά. (Ασφάλεια γκαζιού και έλεγχος γκαζιού.)	Ελέγχετε ότι οι αποσβεστήρες κραδασμών δεν έχουν βλάβες.	Ελέγχετε τη φθορά του κέντρου σύμπλεξης, του ταμπούρου συμπλέκτη και του ελατηρίου σύμπλεξης.
Καθαρίστε το αλυσόφρενο και ελέγξτε τη λειτουργία του από άποψη ασφάλειας. Βεβαιωθείτε ότι η ασφάλεια συγκράτησης αλυσίδας είναι ακέραια, αλλιώς αλλάξτε την.	Αφαιρέστε λιμάροντας, αν υπάρχουν, τα γρέζια στα πλευρά του οδηγού.	Καθαρίστε το μπουζί. Ελέγξτε αν το διάκενο του ηλεκτροδίου είναι 0,5 mm.
Καθημερινά να αλλάζετε διαδοχικά την πάνω με την κάτω πλευρά του οδηγού, ώστε η φθορά του να γίνεται ομοιόμορφα. Βεβαιωθείτε ότι η σπή λαδώματος δεν είναι φραγμένη. Καθαρίστε το αυλάκι του οδηγού. Αν ο οδηγός διαθέτει και τροχό άκρου, να τον λαδώνετε.	Καθαρίστε την περιοχή του καρμπυρατέρ.	Καθαρίστε εξωτερικά το καρμπυρατέρ.
Βεβαιωθείτε ότι ο οδηγός και η αλυσίδα λαδώνονται ικανοποιητικά.	Καθαρίστε το φίλτρο αέρα. Αλλάξτε το αν χρειάζεται.	Ελέγξτε το φίλτρο και το σωλήνα καυσίμου. Αλλάξτε τα αν χρειάζεται.
Ελέγξτε την αλυσίδα όσο αφορά εμφανείς ρωγμές σε πριτσίνια και συνδέσμους, αν η αλυσίδα είναι άκαμπτη ή αν έχουν φθαρεί πριτσίνια και σύνδεσμοι παραπάνω από το κανονικό. Αλλάξτε το αν χρειάζεται.		Αδειάστε το ρεζερβουάρ καυσίμου και καθαρίστε το εσωτερικά.
Ακονίστε την αλυσίδα και ελέγξτε το τέντωμα και την αντοχή της. Ελέγξτε ότι ο τροχός σύμπλεξης δεν είναι αντικανονικά φθαρμένος, κι αλλάξτε τον αν είναι απαραίτητο.		Αδειάστε το ρεζερβουάρ καυσίμου και καθαρίστε το εσωτερικά.
Καθαρίστε τους αεραγωγούς του μηχανισμού εκκίνησης.		Ελέγξτε όλα τα καλώδια και τις επαφές τους.
Βεβαιωθείτε ότι τα μπουλόνια και τα παξιμάδια είναι σφιγμένα.		
Ελέγξτε αν λειτουργεί σωστά ο διακόπτης διακοπής.		
Βεβαιωθείτε ότι δεν υπάρχουν διαρροές καυσίμου από τον κινητήρα, γραμμές καυσίμου στο ρεζερβουάρ ή στο έδαφος.		

Τεχνικά στοιχεία

	CS 2234	CS 2238
Κινητήρας		
Κυβισμός κυλίνδρου, cm ³	38	38
Διαδρομή εμβόλου, mm	32	32
Στροφές ρελαντί, σ.α.λ.	3000	3000
Απόδοση, kW	1,4/9000	1,5/9000
Σύστημα ανάφλεξης		
Μπουζί	Champion RCJ 7Y	Champion RCJ 7Y
Διάκενο ηλεκτροδίων, mm	0,5	0,5
Σύστημα καυσίμου και λίπανσης		
Χωρητικότητα ρεζερβουάρ βενζίνης, λίτρα	0,3	0,3
Παροχή αντλίας λαδιού στις 8.500 σ.α.λ., ml/min	7	7
Χωρητικότητα ρεζερβουάρ λαδιού, λίτρα	0,19	0,19
Τύπος αντλίας λαδιού	Αυτόματο	Αυτόματο
Βάρος		
Αλυσοπρίονο χωρίς οδηγό, αλυσίδα και με άδειες δεξαμενές, kg	4,7	4,7
Εκπομπές θορύβου (βλ.σ.εμ. 1)		
Μετρημένη ηχητική στάθμη σε dB(A)	115	115
Εγγυημένη ηχητική στάθμη L _{WA} dB(A)	118	118
Στάθμες θορύβου (βλ. σ.εμ. 2)		
Ισοδύναμη εχετική πίεση στο αυτί του χειριστή, dB(A)	100,6	100,6
Αντίστοιχες στάθμες κραδασμών, a_{hveq} (βλ. σημείωση 3)		
Μπροστινή χειρολαβή, m/s ²	3,7	3,7
Πίσω χειρολαβή, m/s ²	5,1	5,1
Αλυσίδα/οδηγός		
Βασικό μήκος οδηγού, ίντσες/cm	14/35, 16/40	14/35, 16/40
Συνιστώμενα μήκη οδηγού, ίντσες/cm	14/35, 16/40	14/35, 16/40
Χρησιμοποιούμενο μήκος τομής, ίντσες/cm	13,5/34, 15,5/39	13,5/34, 15,5/39
Βήμα αλυσίδας, ίντσες/mm	3/8 / 9,52	3/8 / 9,52
Πάχος κινητήριου κρίκου, ίντσες/mm	0,050/1,3	0,050/1,3
Τύπος τροχού μετάδοσης κίνησης/αριθμός δοντιών	6	6
Ταχύτητα αλυσίδας στο φουλό, m/sec	17,1	17,1

Σημ. 1: Εκπομπή θορύβου προς το περιβάλλον μετρήθηκε ως ισχύς ήχου (L_{WA}) σύμφωνα με την Οδηγία EK 2000/14/EK.


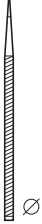

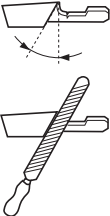

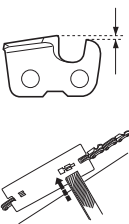
Σημείωση 2: Η αντίστοιχη στάθμη πίεσης θορύβου, σύμφωνα με το ISO 22868, υπολογίζεται ως το χρονικά υπολογισμένο σύνολο ενέργειας για τις διαφορετικές στάθμες πίεσης θορύβου υπό διάφορες συνθήκες εργασίας. Η τυπική στατιστική διασπορά για την αντίστοιχη στάθμη πίεσης θορύβου είναι μία τυπική απόκλιση της τάξης του 1 dB (A).

Σημείωση 3: Η αντίστοιχη στάθμη κραδασμών, σύμφωνα με το ISO 22867, υπολογίζεται ως το χρονικά υπολογισμένο σύνολο ενέργειας για τις στάθμες κραδασμών υπό διάφορες συνθήκες εργασίας. Τα καταγεγραμμένα στοιχεία για την αντίστοιχη στάθμη κραδασμών έχουν μία τυπική στατιστική διασπορά (τυπική απόκλιση) της τάξης του 1 m/s².

Συνδυασμοί οδηγού και αλυσίδας

Για τα μοντέλα Jonsered CS 2234 και CS 2238, εγκρίνονται τα ακόλουθα παρελκόμενα κοπή:

Οδηγός				Αλυσίδα προνίσματος	
Μήκος, ίντσες	Βήμα αλυσίδας, ίντσες	Πλάτος αυλακώματος, χιλ.	Μέγιστος αριθμός δοντιών τροχού μύτης	Τύπος	Μήκος, σύνδεσμοι μετάδοσης κίνησης (αρ.)
14	3/8	1,3	7T	Jonsered H37	52
16	3/8		7T		56
18	3/8		7T		62

					
	inch/mm				inch/mm
H37	5/32/4,0	80°	30°	0°	0.025/0,65

ΕΚ–Βεβαίωση συμφωνίας

(Ισχύει μόνο στην Ευρώπη)

E Husqvarna, SE-561 82 Huskvarna, Σουεδία, τηλ: +46-36-146500, βεβαιώνει με το παρόν ότι τα αλυσοπρίονα **Jonsered CS 2234 και CS 2238** σειράς κατασκευής 2009 και εμπρός (το έτος αναγράφεται ολόκληρο στον πινακίδα τύπου και ακολουθείται από τον αριθμό σειράς) ανταποκρίνονται στις προδιαγραφές της ΟΔΕΓΙΑΣ ΤΟΥ ΣΥΜΒΟΥΛΙΟΥ.

- με εμερομηνία 17 Μαΐου 2006 "σχετικά με τα μηχανήματα" **2006/42/EK**
- της 15ης Δεκεμβρίου 2004 "σχετικά με ηλεκτρομαγνητική συμβατότητα" **2004/108/EOK**.
- της 8ης Μαΐου 2000 "σχετικά με εκπομπή θορύβου στο περιβάλλον" **2000/14/EK**.

Για πληροφορίες σχετικά με τις εκπομπές θορύβων, δείτε το κεφάλαιο Τεχνικά χαρακτηριστικά. Εφαρμόστηκαν τα εξής πρότυπα: **EN ISO 12100-2:2003, CISPR 12:2001, EN ISO 11681-1:2004**

Όργανο που δηλώθηκε: **0404, SMP Svensk Maskinprovning AB**, Fyrisborgsgatan 3, SE-754 50 Uppsala, Σουηδία, εκτέλεσε πρότυπο έλεγχο ΕΚ σύμφωνα με τις προδιαγραφές της οδηγίας μηχανημάτων (2006/42/EK) άρθρο 12, σημ. 3b. Οι βεβαιώσεις ΕΚ–έλεγχος προτύπου σύμφωνα με το παράρτημα IX, έχουν τους αριθμούς: **0404/08/1253**.

Επίσης η εταιρία SMP, Svensk Maskinprovning AB, Fyrisborgsgatan 3, SE-754 50 Uppsala, Σουηδία, βεβαιώνει τη συμφωνία με το παράρτημα V της Οδηγίας του Συμβουλίου της 8ης Μαΐου 2000 "σχετικά με εκπομπή θορύβων στο περιβάλλον" 2000/14/EK. Τα Πιστοποιητικά έχουν τους αριθμούς: **26/161/003 - CS 2234, 26/161/004 - CS 2238**.

Το αλυσοπρίονο που παραδόθηκε ανταποκρίνεται με το δείγμα που υποβλήθηκε σε ΕΚ–έλεγχο προτύπου.

Huskvarna 29 Δεκεμβρίου 2009



Ronnie E. Goldman, Υπεύθυνος Μηχανικός. (Εξουσιοδοτημένος αντιπρόσωπος της Husqvarna AB και υπεύθυνος για την τεχνική τεκμηρίωση).

Vážení zákazníci,

Gratulujeme k vaší koupi výrobku firmy Jonsered!

Jsme přesvědčeni o tom, že budete spokojeni a oceníte kvalitu a výkonnost našich výrobků po dlouhou dobu. Koupě některého z našich výrobků vám v případě potřeby dává přístup k profesionální pomoci ohledně oprav a servisu. Kdybyste zakoupili váš stroj jinde než u našich autorizovaných prodejců, zeptejte se jich na nejbližší autorizovanou servisní dílnu.

Doufáme, že budete s naším strojem spokojeni a že s ním budete pracovat nerozlučně po dlouhou dobu. Myslete na to, že tento návod k použití je cenný doklad. Tím, že budete sledovat jeho obsah (použití, servis, údržbu atd.), můžete značně prodloužit životnost stroje a jeho hodnotu při dalším prodeji. Budete-li váš stroj prodávat, pamatujte i na to, abyste předali novému vlastníkovi i návod k použití.

Mnoho zdaru při používání vašeho výrobku firmy Jonsered!

Společnost Jonsered se řídí strategií neustálého vývoje výrobku a proto si vyhrazuje právo měnit konstrukci a vzhled výrobků bez předchozího upozornění.

Symbole vyobrazené na tělese stroje:

VÝSTRAHA! Motorové pily mohou být nebezpečné! Neopatrné či nesprávné používání může vést k vážnému nebo smrtelnému zranění obsluhy nebo jiných osob.

Než začnete stroj používat, prostudujte si, prosím, pečlivě návod k použití a ubezpečte se, že jste dokonale pochopili pokyny v něm uvedené.

Vždy používejte:

- Schválenou ochrannou přilbu
- Schválenou ochranu sluchu
- Ochranné brýle či štít

Tento výrobek vyhovuje platným předpisům CE.

Emise hluku do okolí dle direktivy Evropského společenství. Emise stroje je udána v kapitole Technické údaje a na nálepci.

Při práci se motorová pila musí držet oběma rukama

Nikdy nedržte motorovou pilu při práci jen v jedné ruce.

Nedovolte, aby se hrot lišty dostal do kontaktu s jinými předměty.

VÝSTRAHA! Když se hrot lišty dotkne nějakého předmětu, může dojít ke zpětnému odrazu, což způsobí reakci, která vyhodí lištu nahoru a dozadu proti uživateli. To může mít za následek vážné poranění osob.

Brzda řetězu, zapnuta (doleva)
Brzda řetězu, vypnuta (doprava).



Další symboly / štítky na zařízení se týkají zvláštních certifikačních požadavků pro určité obchodní trhy.

Co je co na motorové pile? (1)

- 1 Informační a výstražný štítek
- 2 Kryt válce
- 3 Benzínové čerpadlo
- 4 Startovací madlo
- 5 Páčka sytiče/Pojistka páčky plynu při startování
- 6 Stop spínač (vypínač zapalování)
- 7 Zadní rukojeť
- 8 Palivová nádrž
- 9 Seřizovací šrouby, karburátor
- 10 Startér
- 11 Nádrž oleje na mazání řetězu
- 12 Štítek s výrobním číslem
- 13 Pojistka páčky plynu (zabraňuje neúmyslnému přidání plynu)
- 14 Přední rukojeť
- 15 Chráníč levé ruky
- 16 Tlumič výfuku
- 17 Lišta
- 18 Řetězové kolečko špičky lišty
- 19 Řetěz
- 20 Zubová opěrka
- 21 Zachycovač řetězu
- 22 Napínací šroub řetězu
- 23 Kryt spojky
- 24 Zadní rukojeť s krytem pravé ruky
- 25 Páčka plynu
- 26 Návod k použití
- 27 Kombinovaný klíč
- 28 Kryt řezné lišty

Obsah

ÚVOD

Vážený zákazník,	187
Symboly vyobrazené na tělese stroje:	187
Co je co na motorové pile?	188

OBSAH

Obsah	188
-------------	-----

OBEČNÁ BEZPEČNOSTNÍ OPATŘENÍ

Před zahájením práce s novou motorovou pilou	189
Upozornění	189
Vždy používejte zdravý rozum	189
Osobní ochranné pomůcky	190
Bezpečnostní vybavení stroje	190
Řezný mechanismus	191

MONTÁŽ

Montáž řezné lišty a řetězu	195
-----------------------------------	-----

MANIPULACE S PALIVEM

Palivo	195
Plnění paliva	196
Bezpečnost při manipulaci s palivem	196

STARTOVÁNÍ A VYPÍNÁNÍ

Startování a vypínání	197
-----------------------------	-----

PRACOVNÍ POSTUP

Před každým použitím:	198
Obecné pracovní pokyny	198
Jak zabránit zpětnému rázu	201

ÚDRŽBA

Všeobecně	202
Nastavení karburátoru	202
Kontrola a údržba bezpečnostního vybavení motorové pily	202
Tlumič výfuku	203
Vzduchový filtr	203
Zapalovací svíčka	203
Schema technické údržby	204

TECHNICKÉ ÚDAJE

Technické údaje	205
Kombinace lišty a řetězu	206
ES Prohlášení o shodě	206

Před zahájením práce s novou motorovou pilou

- Pečlivě si přečtěte tento návod k použití.
- (1) – (50) viz obrázky na str. 2–5.
- Zkontrolujte, zda řezný mechanismus je správně upraven a seřízen. Viz pokyny v části Montáž
- Naplňte a nastartujte motorovou řetězovou pilu. Viz pokyny v kapitolách Manipulace s palivem a Spouštění a zastavování.
- Nepoužívejte motorovou pilu, dokud na řetěz neproniklo dostatečné množství oleje. Viz pokyny v části Mazání řezného mechanismu.
- Dlouhodobé vystavování působení hluku může vést k trvalému poškození sluchu. Proto vždy používejte schválenou ochranu sluchu.



VÝSTRAHA! Konstrukce zařízení nesmí být za žádných okolností upravována bez svolení výrobce. Vždy používejte originální příslušenství. Nepovolené úpravy a/nebo příslušenství může vést k vážnému nebo smrtelnému zranění obsluhy nebo jiných osob.



VÝSTRAHA! Motorová pila je nebezpečný nástroj, pokud je používána neopatrně či nesprávně, v takovém případě může způsobit vážná nebo i smrtelná zranění. Je velmi důležité, abyste si prostudovali tento návod k použití a abyste porozuměli jeho obsahu.



VÝSTRAHA! Vnitřní prostor tlumiče výfuku obsahuje chemikálie, které mohou způsobit rakovinu. V případě poškození tlumiče výfuku se vyvarujte se kontaktu s těmito částmi.



VÝSTRAHA! Dlouhodobé vdechování výfuku motoru, mlha od řetězového oleje a pilinný prach mohou mít nepříznivý vliv na zdraví.



VÝSTRAHA! Tento stroj vytváří během provozu elektromagnetické pole. Toto pole může za určitých okolností narušovat funkci aktivních či pasivních implantovaných lékařských přístrojů. Pro snížení rizika vážného či smrtelného poranění doporučujeme osobám s implantovanými lékařskými přístroji poradit se před použitím stroje s lékařem a s výrobcem implantovaného lékařského přístroje.

Upozornění

UPOZORNĚNÍ!

Tento stroj je určen pouze k řezání dřeva.

Používejte pouze takové kombinace lišty a pilového řetězu, které doporučujeme v kapitole Technické údaje.

Nikdy stroj nepoužívejte, když jste unaveni, po požití alkoholu nebo když užíváte léky, které mohou ovlivnit váš zrak, odhad nebo koordinaci pohybů.

Používejte osobní ochranné pomůcky. Viz pokyny v části Osobní ochranné pomůcky.

Nikdy neupravujte stroj tak, že byste změnil trvale jeho původní konstrukci, a nepoužívejte jej ani v případě, kdy se vám bude zdát, že ji upravil někdo jiný.

Nikdy nepoužívejte stroj, který není zcela v pořádku. Pravidelně provádějte kontroly a údržbu podle servisních pokynů popsaných v této příručce. Některé úkony údržby a opravy mohou provádět pouze vyškolení a kvalifikovaní odborníci. Viz pokyny v části Údržba.

Nikdy nepoužívejte žádné příslušenství, které není doporučeno výrobcem v této příručce. Viz pokyny v části Řezný mechanismus a Technické údaje.

VAROVÁNÍ! Vždy používejte ochranné brýle nebo ochranný štít na obličej, abyste snížili nebezpečí zranění vymrštěnými předměty. Motorová řetězová pila je schopna vymrstit různé předměty, jako např. dřevěné štěpky, malé kousky dřeva atd., velkou silou. To může způsobit vážné zranění, především oči.



VÝSTRAHA! Provoz motoru v uzavřených nebo špatně větraných prostorech může způsobit smrt udušením nebo otravu kyslíčnickem uhelnatým.



VÝSTRAHA! Vadné řezací zařízení nebo špatná kombinace lišty a pilového řetězu zvyšují nebezpečí zpětného odrazu! Používejte pouze takové kombinace lišty a pilového řetězu, které doporučujeme, a dodržujte pokyny pro pilování. Viz pokyny v kapitole Technické údaje.

Vždy používejte zdravý rozum (2)

Není možné zde popsat každou případnou situaci, se kterou byste se mohli při používání řetězové pily setkat. Vždy dávejte pozor a používejte zdravý rozum. Vyvarujte se veškerých situací, kdy se domníváte, že práce s pilou je nad vaše schopnosti. Pokud si ani po přečtení tohoto návodu nebudete jisti, jak pilu správně používat, kontaktujte před dalším postupem odborníka. Budete-li mít nějaké dotazy ohledně používání této motorové řetězové pily, kontaktujte vašeho prodejce nebo nás. Velmi rádi vám poskytneme naše služby a pomoc a také vám poradíme, jak vaši motorovou pilu používat efektivně a bezpečně. Pokud je to možné, absolvujte školicí kurz používání motorové řetězové pily. Vaš prodejce, lesnická škola nebo knihovna ve vaší obci vám mohou poskytnout informace o tom, jaké školicí materiály a kurzy jsou k dispozici. Konstrukce a technologie jsou neustále vylepšovány, aby se zvýšila vaše bezpečnost a efektivita stroje. Navštěvujte pravidelně vašeho prodejce, abyste byli informováni, zda nemůžete využít nějakých nových vlastností nebo funkcí, které byly mezitím zavedeny.

Osobní ochranné pomůcky



VÝSTRAHA! K většině nehod při použití řetězové pily dochází tehdy, když se obsluha dostane do kontaktu s řetězem. Při každém použití stroje je nutné používat schválené osobní ochranné pomůcky. Osobní ochranné pomůcky nemohou vyloučit nebezpečí úrazu, ale sníží míru poranění v případě, že dojde k nehodě. Požádejte svého prodejce o pomoc při výběru správného vybavení.

- Schválenou ochrannou přilbu
- Ochrana sluchu
- Ochranné brýle či štít
- Rukavice s ochranou proti proříznutí
- Kalhoty s ochranou proti říznutí
- Holiny s ochranou proti proříznutí, ocelovou špičkou a nesmekavou podrážkou
- Vždy mějte po ruce soupravu pro poskytování první pomoci.
- Hasicí přístroj a lopata

Obecně by měl být oděv přiléhavý, aniž by omezoval volnost pohybu.

UPOZORNĚNÍ! Jiskry mohou vylétávat z tlumiče výfuku, od lišty a řetězu nebo z jiného zdroje. Vždy mějte hasicí vybavení po ruce pro případ, že byste je potřebovali. Můžete tím pomoci zabránit lesnímu požáru.

Bezpečnostní vybavení stroje

V této části jsou vysvětleny bezpečnostní prvky stroje a jejich funkce. Informace o prohlídkách a údržbě najdete v kapitole Kontrola, údržba a servis bezpečnostního vybavení motorové pily. Umístění těchto komponentů na stroji naleznete v pokynech v kapitole "Co je co?".

Životnost stroje se může zkracovat a riziko úrazů zvyšovat, jestliže se údržba stroje neprovádí správně anebo se opravy neprovádějí odborně. Pokud potřebujete další informace, obraťte se na nejbližší servisní dílnu.



VÝSTRAHA! Nikdy stroj nepoužívejte s vadnými bezpečnostními součástmi. Bezpečnostní zařízení je nutno kontrolovat a udržovat. Viz pokyny v kapitole Kontrola, údržba a servis bezpečnostního vybavení motorové pily. Pokud váš stroj nevyhoví všem kontrolám, odnesete jej do servisní dílny k opravě.

Brzda řetězu a chránič levé ruky

Vaše motorová řetězová pila je vybavena brzdou řetězu, která je určena k zastavení řetězu v případě, že dojde ke zpětnému odrazu. Tato brzda snižuje nebezpečí nehod, ale pouze vy jim můžete zabránit.

Při práci dbejte nejvyšší opatrnosti, zvláště zabezpečte, aby se řezný mechanismus v případě zpětného rázu nikdy nemohl dotknout žádného předmětu.

- Brzda řetězu (A) může být aktivována buď ručně (vaší levou rukou) nebo setrvačnickovým rozpojovacím mechanismem. **(3)**
- Brzda se uvádí v činnost tehdy, když je chránič levé ruky (B) zatlačen dopředu. **(3)**
- Tento pohyb uvolní pružinu mechanismu, který stáhne pásek brzdy (C) kolem hnacího systému motoru (D) (buben spojky). **(4)**
- Spouštění brzdy řetězu není jediný účel, pro který je chránič ruky konstruován. Další jeho důležitou bezpečnostní funkcí je snížení nebezpečí zasažení levé ruky řetězem, kdyby uživatel vyklouzla z ruky přední rukojeť.
- Brzda řetězu musí být při startování motorové pily aktivovaná, aby se zabránilo otáčení řetězu.
- Při startování a při přesunu na krátké vzdálenosti používejte řetězovou brzdou jako "parkovací brzdu", abyste předešli nehodám, pokud existuje nebezpečí, že by řetěz mohl náhodně zasáhnout někoho nebo něco v blízkosti vás.
- Uvolnění brzdy řetězu se provádí zatažením chrániče ruky zpět až k přední rukojeti.
- Zpětný ráz může být zcela nečekaný a velmi prudký. Většina zpětných rázů je však slabších a neuvede výhled brzdu řetězu v činnost. Pokud k takovému zpětnému rázu dojde, musí uživatel držet motorovou pilu tak pevně, aby mu nevyklouzla.
- Způsob spuštění brzdy řetězu, ať již ručně nebo automaticky mechanismem uvolňovaným působením setrvačnosti, závisí na síle zpětného rázu a poloze motorové pily vzhledem k předmětu, o který oblast zpětného rázu zavádí.

Když dojde k silnému zpětnému odrazu, zatímco je zóna zpětného odrazu lišty nejdále od vás, brzda řetězu je konstruována tak, že se aktivuje pohybem protizávaží (je aktivována setrvačností) ve směru zpětného odrazu.

Jestliže není zpětný ráz tak prudký nebo pokud je oblast zpětného rázu lišty blíže k uživateli, bude brzda řetězu uvedena v činnost ručně pohybem levé ruky uživatele.

- Při kácení stromu je levá ruka v takové poloze, že není možné aktivovat brzdou řetězu ručně. Při tomto druhu uchopení, kdy levá ruka je umístěna tak, že nemůže ovlivnit pohyb předního krytu ruky, může být brzda řetězu aktivována pouze setrvačností.

Bude moje ruka aktivovat brzdou řetězu vždy v případě zpětného odrazu?

Ne. K posunutí ochranného prvku zpětného odrazu dopředu je zapotřebí určité síly. Pokud se vaše ruka ochranného prvku zpětného odrazu pouze lehce dotkne nebo po něm pouze sklouzne, může se stát, že síla nebude dostatečně velká, aby uvolnila brzdou řetězu. Při práci byste také měli pevně držet držadlo vaší motorové řetězové pily. Pokud tak činíte a dojde k zpětnému odrazu, možná ani neuvolníte ruku z přední rukojeti a nebudete aktivovat brzdou řetězu, nebo se možná brzda řetězu bude aktivovat až poté, co už pila udělá docela velký skok. V takových situacích se může stát, že brzda řetězu nezvládne řetěz zastavit dříve, než vás řetěz zasáhne.

V některých pracovních polohách se může stát, že vaše ruka nemůže dosáhnout na ochranný prvek zpětného odrazu, aby aktivovala brzdou řetězu; například když je pila držena v poloze pro kácení.

Spustí se aktivace brzdy řetězu setrvačností vždy, když dojde ke zpětnému odrazu?

Ne. Za prvé musí vaše brzda fungovat. Testování brzdy je jednoduché, viz pokyny v kapitole Kontrola, údržba a servis bezpečnostního vybavení motorové pily. Doporučujeme vám, abyste jej prováděli před začátkem každé směny. Za druhé musí být zpětný odraz dostatečně silný, aby aktivoval brzdu řetězu. Pokud by brzda řetězu byla příliš citlivá, byla by aktivována neustále, což by bylo nepříjemné.

Ochrání mě brzda řetězu v případě zpětného odrazu vždy před zraněním?

Ne. Za prvé a především musí vaše brzda fungovat, aby vám zajistila zamýšlenou ochranu. Za druhé musí být aktivována podle výše uvedeného popisu, aby v případě zpětného odrazu zastavila pilový řetěz. A za třetí, brzda řetězu může být aktivována, ale když je lišta příliš blízko vás, může se stát, že brzda nestihne zpomalit a zastavit řetěz dříve, než vás motorová pila zasáhne.

Pouze vy a správná pracovní technika mohou eliminovat zpětný odraz a jeho nebezpečí.

Pojistka páčky plynu

Pojistka plynové páčky má za úkol zabránit neúmyslné manipulaci s ovládáním škrticí klapky. Když stisknete pojistku (A) (tzn. když uchopíte rukojeť), uvolní se ovládání škrticí klapky (B). Pusťte-li rukojeť, jak ovládání škrticí klapky, tak pojistka plynové páčky se přesunou zpět do své původní polohy. Toto opatření znamená, že škrticí klapka je při volnoběhu automaticky zablokována. (5)

Zachycovač řetězu

Účelem zachycovače řetězu je zachytit řetěz v případě, že se přetrhne nebo sesmekne z lišty. To by se nemělo stát, pokud je řetěz správně napnut (viz pokyny v části Montáž) a jestliže uživatel řádně provádí kontrolu a údržbu lišty a řetězu (viz text v části Obecné pracovní pokyny).

Chráníč pravé ruky

Kromě ochrany ruky v případě přetržení řetězu nebo jeho sesmeknutí z lišty zabezpečuje chráníč pravé ruky, že větev nebudou překážet bezpečnému uchopení zadní rukojeti.

Antivibrační systém

Stroj je vybaven antivibračním systémem, který je konstruován tak, aby minimalizoval vibrace a usnadňoval práci se strojem.

Antivibrační systém stroje snižuje přenos chvění mezi jednotkou motoru/řezným mechanismem a rukojetí stroje. Tělo motorové pily, včetně řezného mechanismu, je izolováno od rukojeti pomocí antivibračních bloků.

Při řezání tvrdého dřeva (většina listnatých stromů) vznikají silnější vibrace než při řezání měkkého dřeva (většina jehličnatých dřevin). Řezání s tupým či špatným řetězem (nevhodný typ či nesprávně nabroušený) zvýší úroveň vibrací.



VÝSTRAHA! Nadměrné vystavení vibracím může u osob se zhoršenou funkcí krevního oběhu vést k poruchám oběhového nebo nervového systému. V případě, že byste pocítili příznaky obtíží způsobených nadměrným vystavením vibracím, spojte se se svým lékařem. Mezi tyto příznaky patří ztuhllost končetin, ztráta citu, mravenčení, píchání, bolest, zeslábnutí, změna barvy nebo vzhledu pokožky. Tyto příznaky se obvykle objevují v prstech, na rukou nebo v zápěstí. Tyto příznaky se mohou zhoršit při nízkých teplotách.

Stop spínač (vypínač zapalování)

Pomocí vypínače zapalování se vypíná motor.

Tlumič výfuku

Tlumič výfuku je navržen tak, aby snižoval hladinu hluku a odváděl výfukové plyny směrem od uživatele.



VÝSTRAHA! Výfukové plyny z motoru jsou horké a mohou obsahovat jiskry, které by mohly zažehnout požár. Nikdy nestartujte zařízení uvnitř budovy nebo v blízkosti hořlavých materiálů!

V zemích s teplým a suchým podnebím hrozí velké nebezpečí vzniku lesních požárů. Může se stát, že legislativa v těchto zemích vyžaduje, že tlumič výfuku musí být, kromě jiného, vybaven lapačem jisker v podobě sítky (A). (6)



VAROVÁNÍ! Tlumič výfuku je během provozu i po zastavení velmi horký. To platí i při volnoběhu. Dejte pozor na nebezpečí požáru, zvláště při manipulaci v blízkosti hořlavých látek nebo plynů.



VÝSTRAHA! Nikdy motorovou řetězovou pilu nepoužívejte, když je tlumič vadný nebo chybí. Vadný tlumič může značně zvýšit hladinu hluku a nebezpečí požáru. Vždy mějte protipožární vybavení blízko po ruce. Nikdy motorovou pilu nepoužívejte, když je síťkový lapač jisker vadný nebo úplně chybí, je-li použit lapač jisker ve vašem pracovním prostoru povinné.

Řezný mechanismus

Tato část popisuje způsob volby řezného mechanismu a jeho údržby s tímto cíli:

- Snižte nebezpečí zpětného rázu.
- Redukujte nebezpečí přetržení nebo vyskočení řetězu pily.
- Dosáhnete optimálního řezacího výkonu.
- Prodloužit životnost řezného mechanismu.
- Zabraňte zvyšování úrovně vibrací.

Obecná pravidla

- **Používejte pouze řezný mechanismus doporučený výrobcem!** Viz pokyny v kapitole Technické údaje.
- **Udržujte řezací zuby řetězu řádně nabroušené! Postupujte podle našich pokynů a používejte doporučené vodítko pilníku.** Poškozený nebo špatně nabroušený řetěz zvyšuje nebezpečí nehody.
- **Udržujte správnou vůli omezovacích zubů! Dodržujte naše pokyny a používejte doporučenou měrku omezovacích zubů.** Příliš velká vůle zvyšuje nebezpečí zpětného odrazu.
- **Udržujte správné napnutí řetězu!** V případě, že je řetěz povolný, je pravděpodobnější jeho sesmeknutí, kromě toho to vede ke zvýšenému opotřebení lišty, řetězu a hnacího řetězového kolečka.
- **Udržujte řezný mechanismus řádně namazaný a v dobrém stavu!** U špatně namazaného řetězu je pravděpodobnější jeho přetržení a kromě toho to vede ke zvýšenému opotřebení lišty, řetězu a hnacího řetězového kolečka.

Řezací zařízení určené pro minimalizaci zpětného odrazu



VÝSTRAHA! Vadné řezací zařízení nebo špatná kombinace lišty a pilového řetězu zvyšují nebezpečí zpětného odrazu! Používejte pouze takové kombinace lišty a pilového řetězu, které doporučujeme, a dodržujte pokyny pro pilování. Viz pokyny v kapitole Technické údaje.

Jediný způsob, jak zcela zabránit zpětnému rázu, je zabezpečit, aby se oblast zpětného rázu lišty nikdy ničeho nedotkla.

Účinky zpětného rázu můžete snížit použitím řezného mechanismu se zabudovanou redukcí zpětného rázu a používáním nabroušeného a dobře udržovaného řetězu.

Lišta

Čím je poloměr hrotu menší, tím je menší i nebezpečí zpětného odrazu.

Řetěz

Řetěz se skládá z určitého počtu článků, které se dodávají ve standardní verzi i ve verzi se sníženým rizikem zpětného rázu.

UPOZORNĚNÍ! Žádný pilový řetěz nesnižuje nebezpečí zpětného odrazu.



VÝSTRAHA! Jakýkoliv kontakt s rotujícím pilovým řetězem může způsobit velmi vážná zranění.

Některé výrazy, které popisují lištu a řetěz

Aby byla udržena bezpečnostní funkce řetězového zařízení, musíte vyměňovat opotřebené a poškozené kombinace lišty a řetězu za lištu a řetěz doporučený společností Jonsered. Informace o doporučených kombinacích lišty a řetězu naleznete v části Technické údaje.

Lišta

- Délka (palce/cm)
- Počet zubů na řetězovém kolečku špičky lišty (T).
- Rozteč řetězu (=pitch) (v palcích). Vzdálenost mezi unášecími články řetězu musí odpovídat vzdálenostem mezi zuby na řetězovém kolečku špičky lišty i na hnacím řetězovém kolečku.
- Počet unášecích článků (ks). Počet unášecích článků je určen délkou lišty, roztečí řetězu a počtem zubů řetězového kolečka špičky lišty.
- Šířka drážky lišty (palce/mm). Šířka drážky lišty musí odpovídat tloušťce unášecích článků řetězu.
- Otvor pro mazání řetězu a otvor pro napinač řetězu. Lišta musí odpovídat konstrukci řetězové pily.

Řetěz

- Rozteč řetězu (=pitch) (v palcích)
- Tloušťka unášecího článku (mm/palce)
- Počet unášecích článků (ks).

Ostření řetězu a nastavování vůle omezovacích zubů



VÝSTRAHA! Při práci s řetězem vždy noste rukavice k ochraně rukou před zraněním.

Obecné informace o broušení řezacích zubů

- Nikdy nepoužívejte tupý řetěz. Když je řetěz tupý, musíte vyvinout mnohem větší sílu, abyste protlačili lištu skrz dřevo a brání třísky bude velmi malé. Velmi tupý pilový řetěz nebere třísky vůbec. Jediným výsledkem bude dřevěný prach.
- Ostrý řetěz si dobře prořízne cestu dřevem a produkuje dlouhé silné třísky.
- Řezná část řetězu se nazývá řezací článek a skládá se z řezacího zubu (A) a bříty omezovacího zubu (B). Hloubka řezu je určena rozdílem výšek těchto dvou součástí. **(7)**

Při broušení řezacího zubu musíte mít na paměti čtyři důležité faktory.

- 1 Úhel broušení
- 2 Úhel bříty
- 3 Poloha pilníku
- 4 Průměr pilníku

Bez správného vybavení je velice těžké řetěz správně nabrousit. Doporučujeme vám, abyste použili naše vodítko pilníku. To vám pomůže u vašeho řetězu dosáhnout snížení zpětného odrazu a maximální řezací výkon.

Informace o ostření řetězu naleznete v části Technické údaje.



VÝSTRAHA! Odchýlení od pokynů k ostření výrazně zvyšuje nebezpečí zpětného odrazu.

Broušení řezacích zubů

K broušení řezacích zubů budete potřebovat kruhový pilník a vodítko pilníku. Informace o velikostech pilníku a vodítka, které jsou doporučeny pro váš pilový řetěz, naleznete v části Technické údaje.

OBCENÁ BEZPEČNOSTNÍ OPATŘENÍ

- Zkontrolujte, zda je řetěz správně napnutý. Uvolněný řetěz se uhybá do stran, což znesnadňuje jeho správné nabroušení.
- Řezací zuby vždy bruste zevnitř směrem ven a při zpětném tahu snižte tlak na pilník. Všechny zuby nabruste nejprve na jedné straně, potom otočte pilu a nabruste zuby na druhé straně.
- Nabruste všechny zuby na stejnou délku. Když je délka řezacích zubů menší než 4 mm (0,16 palce), řetěz je opotřebovaný a je nutno jej vyměnit. (8)

Obecné informace o nastavování vůle omezovacích zubů

- Při ostření řezacích zubů zmenšujete vůli omezovacích zubů (hloubku řezu). Abyste udrželi řezný výkon musíte vypilovat omezovací zuby na doporučenou výšku. Informace o vůli omezovacích zubů pro váš konkrétní řetěz naleznete v části Technické údaje.



VÝSTRAHA! Nebezpečí zpětného odrazu se zvyšuje, jestliže je vůle omezovacích zubů příliš velká!

Seřízení vůle omezovacích zubů

- Před seřízením vůle omezovacích zubů je nutno nově naostřit řezací zuby. Doporučujeme, abyste vůli omezovacích zubů seřizovali při každém třetím ostření řetězu. **UPOZORNĚNÍ!** Toto doporučení předpokládá, že délka řezacích zubů není nadměrně zmenšena.
- K seřízení vůle omezovacích zubů budete potřebovat plochý pilník a měрку omezovacích zubů. Doporučujeme, abyste pro vůli omezovacích zubů používali naše vodítko pilníku, abyste získali správnou hodnotu vůle omezovacích zubů a správný úhel bříty omezovacích zubů.
- Nasadíte vodítko pilníku na řetěz pily. Informace o používání vodítko pilníku naleznete na obalu. Pomocí plochého pilníku odpilujete nadměrně přesahující část bříty omezovacích zubů. Vůle omezovacích zubů je správná, když při protahování pilníku přes vodítko nebudete cítit žádný odpor.

Napínání řetězu



VÝSTRAHA! Uvolněný řetěz se může sesmeknout a způsobit vážné nebo dokonce smrtelné zranění.



VÝSTRAHA! Vždy používejte schválené ochranné rukavice. I řetěz, který se nepohybuje, může způsobit vážné poranění uživateli nebo jiným osobám, které mají přístup k řetězu.

Čím déle se řetěz používá, tím více se zvětšuje jeho délka. Proto je důležité pravidelně řetěz napínat a vymezovat vůli.

Napnutí řetězu kontrolujte při každém doplňování paliva. **UPOZORNĚNÍ!** Během doby záběhu nového řetězu by se mělo jeho napnutí kontrolovat častěji.

Napněte řetěz co možná nejvíce, ale tak, aby bylo ještě možno jej rukou volně posouvat po liště. (9)

- Povolte matice lišty, které upevňují kryt spojky/brzdu řetězu. Použijte kombinovaný klíč. Potom matice utáhněte co nejpěvněji pouze rukou. (10)

- Nadzvedněte špičku lišty a řetěz napínejte utahováním napínacího šroubu pomocí kombinovaného klíče. Napínejte řetěz, dokud neodstraníte průvės na spodní straně lišty. (11)
- Nadzvedněte a přidržte v nadzvednuté poloze špičku lišty a přitom utáhněte kombinovaným klíčem matice lišty. Zkontrolujte, zda je možné rukou volně posouvat řetěz po liště a zda přitom není tento řetěz na spodní straně lišty prověšen. (12)

Mazání řezného mechanismu



VÝSTRAHA! Špatné mazání řezného mechanismu může způsobit přetržení řetězu, což by mohlo vést k vážným nebo dokonce smrtelným zraněním.

Oil na mazání řetězu

Oil na mazání řetězu musí mít dobrou přilnavost k řetězu a musí si uchovávat viskozitu bez ohledu na to, zda je horké léto či chladná zima.

V rámci vývoje a výroby motorových pil jsme vyvinuli i optimální oil na mazání řetězů, který je založen na rostlinném oleji a je díky tomu biologicky snadno rozložitelný. Doporučujeme používat tento oil, který zabezpečuje maximální životnost řetězu a zá V případě, že náš oil na mazání řetězu není k dispozici, doporučujeme standardní oil na řetězy.

Nikdy nepoužívejte vyjetý oil! Je to nebezpečné pro vás, pro stroj i pro životní prostředí.



UPOZORNĚNÍ! Pokud mažete pilový řetěz rostlinným olejem, před dlouhodobým uskladněním rozeberte a vyčistěte drážku lišty a pilový řetěz. Jinak hrozí nebezpečí, že oil pro mazání řetězu zoxiduje, což by mělo za následek, že pilový řetěz zatuhne a řetězka na hrotu lišty se zadře.

Plnění oleje na mazání řetězu

- Všechny námi vyráběné motorové pily jsou vybaveny systémem automatického mazání řetězu. U některých modelů je rovněž nastavitelný průtok oleje.
- Nádržka oleje pro mazání řetězu a nádržka s palivem jsou konstruovány tak, že palivo vytéká před olejem pro mazání řetězu.

Tato bezpečnostní funkce ale vyžaduje, abyste používali správný typ oleje pro mazání řetězu (kdyby byl olej příliš řídký, vytékal by před palivem), a abyste seřídili karburátor podle doporučení (slabá směs může znamenat, že palivo vydrží déle než olej). Také musíte používat doporučené řezací vybavení (lišta, která je příliš dlouhá, bude potřebovat více oleje pro mazání řetězu).

Kontrola mazání řetězu

- Kontrolujte mazání řetězu při každém doplňování paliva. Viz pokyny v kapitole Mazání hrotu lišty.

Ze vzdálenosti asi 20 cm (8 palců) namířte špičku řezné lišty na světlou plochu. Po 1 minutě běhu pily při úrovni plynu na 3/4 by se měla na této ploše objevit zřetelná stopa nastříkaného oleje.

OBECNÁ BEZPEČNOSTNÍ OPATŘENÍ

Pokud mazání řetězu nefunguje:

- Zkontrolujte, zda není ucpaný mazací kanálek lišty. V případě potřeby jej vyčistěte.
- Zkontrolujte, zda je drážka řezné lišty čistá. V případě potřeby ji vyčistěte.
- Zkontrolujte, zda se řetězové kolečko špičky lišty volně otáčí a zda není mazací otvor v řetězovém kolečku ucpaný. V případě potřeby kolečko namažte a otvor vyčistěte.

V případě, že ani po provedení výše uvedených kontrol a příslušných opatření systém mazání řetězu stále nefunguje, je nutno vyhledat servisní opravnu.

Hnací kolečko řetězu

Buben spojky je vybaven čelním řetězovým kolečkem (řetězové kolečko je přivařeno k bubnu).

Pravidelně kontrolujte úroveň opotřebení hnacího řetězového kolečka. Vyměňte jej, pokud je nadměrně opotřebené. Vyměňte hnací řetězové kolečko při každé výměně řetězu.

Kontrola opotřebení řezného mechanismu

Denně provádějte kontrolu řetězu, přičemž se zaměřte na:

- Viditelné praskliny nýtů a článků.
- Zda není řetěz zatushlý.
- Zda nejsou nýty a články silně opotřebené.

Vyměňte pilový řetěz, pokud vykazuje některý z výše uvedených bodů.

Výrobce doporučuje porovnávat stávající řetěz s novým řetězem a tak zjistit, jak je stávající řetěz opotřebený.

Pokud je délka řezacích zubů menší než 4 mm, řetěz je nutno vyměnit.

Lišta

Pravidelně kontrolujte:

- Zda se na hranách řezné lišty netvoří otřepy. V případě potřeby tyto otřepy obruste pilníkem. **(13A)**
- Zda není drážka lišty silně opotřebená. V případě potřeby lištu vyměňte. **(13B)**
- Zda není špička lišty nerovnoměrně či silně opotřebená. Pokud se na spodní straně špičky lišty vytvářejí prohlubně, znamená to, že je řetěz příliš volný.
- Jestliže chcete prodloužit životnost lišty, měli byste ji denně obracet.



VÝSTRAHA! K většině nehod při použití řetězové pily dochází tehdy, když se obsluha dostane do kontaktu s řetězem.

Používejte osobní ochranné pomůcky. Viz pokyny v části Osobní ochranné pomůcky.

Nepouštějte se do žádné práce, na niž nejste podle svého mínění náležitě zacvičení. Prostudujte si pokyny v částech Osobní ochranné pomůcky, Jak zabránit zpětnému rázu, Řezný mechanismus a Obecné bezpečnostní pokyny.

Vyvarujte se situací, kde hrozí nebezpečí zpětného rázu. Viz pokyny v části Bezpečnostní vybavení zařízení.

Používejte doporučené ochranné pomůcky a pravidelně kontrolujte jejich stav. Prostudujte si pokyny uvedené v části Obecné pracovní pokyny.

Zkontrolujte, zda všechny bezpečnostní funkce řetězové pily fungují. Prostudujte si pokyny v částech Obecné pracovní pokyny a Obecná bezpečnostní opatření.

Montáž řezné lišty a řetězu



VÝSTRAHA! Před prováděním kontroly či údržby vypněte motor. Vypínač se automaticky vrátí do výchozí polohy. Abyste se při montáži, kontrole a/nebo údržbě vyhnuli nezamýšlenému nastartování je nutno vždy odejmout rozbušku od zapalovací svíčky.

Při práci s řetězem vždy noste rukavice k ochraně rukou před zraněním.

Zkontrolujte, zda je brzda řetězu v neaktivované poloze přesunutím chrániče levé ruky k přední rukojeti.

Odšroubujte matice lišty a sejměte kryt spojky (brzdu řetězu). Vyjměte přepravní ochranný kroužek. (A) **(14)**

Nasaďte lištu na upevňovací šrouby. Zasuňte ji co nejvíce dozadu. Převlékněte řetěz přes hnací řetězové kolečko a usadte jej do drážky v liště. Začněte na horní straně lišty. **(15)**

Zkontrolujte, zda břity řezacích článků směřují na horní hraně lišty dopředu.

Nasaďte kryt spojky (brzdu řetězu) a zasuňte kolík pro napínání řetězu do otvoru v liště. Zkontrolujte, zda unášecí články řetězu správně zapadají do vybrání hnacího řetězového kolečka a zda je řetěz správně usazen v drážce lišty. Prsty pevně utáhněte matice lišty. **(16)**

Napínejte řetěz otáčením napínacího šroubu řetězu kombinovaným klíčem po směru hodinových ručiček. V napínání řetězu pokračujte do té doby, dokud neodstraníte průvleč na spodní straně lišty. Viz pokyny v kapitole Napínání řetězu pily. **(17)**

Řetěz je správně napnut, když není prověšen na spodní straně lišty a přitom je možné jej rukou volně posouvat. Prizvedněte a přidržte v nadzvednuté poloze špičku lišty a kombinovaným klíčem utáhněte matice lišty. **(18)**

Během doby záběhu po nasazení nového řetězu je zapotřebí často kontrolovat jeho napětí. Kontrolujte napětí řetězu pravidelně. Správně napnutý řetěz zaručuje dobrý řezný výkon a dlouhou životnost. **(19)**

Montáž zubové opěrky

Pokud chcete namontovat zubovou opěrku, obraťte se na servisní opravnu.

Palivo

Pamatujte si! Stroj je vybaven dvoudobým motorem a při jeho provozu se musí vždy použít směs benzínu a oleje pro dvoudobé motory. Je důležité přesně odměřit množství přimíchávaného oleje, aby se zaručilo, že se dosáhne správné směsi. Když smícháváte malá množství paliva s olejem, i velmi malé nepřesnosti mohou výrazně ovlivnit poměr složek směsi.



VÝSTRAHA! Při manipulaci s palivem vždy zajistíte dostatečné větrání.

Benzín

- Používejte vždy kvalitní olovnatý či bezolovnatý benzín.
- Doporučený nejnižší počet oktanů je 90 (RON). Provozujete-li motor na benzin s nižším počtem oktanů než 90, může dojít k tlučení v motoru. Toto vede ke zvýšené teplotě motoru a zvýšenému zatížení ložisek, což může způsobit těžké havárie motoru.
- Při souvislé práci při vysokých otáčkách (např. odvětvování) se doporučuje vyšší oktanové číslo.

Zajždění

Během prvních 10 hodin se vyhněte chodu na příliš vysoké otáčky.

Olej pro dvoudobé motory

- Abyste dosáhli co nejlepších výsledků a výkonu, používejte olej pro dvoudobé motory JONSERED, který je vyráběn speciálně pro naše vzduchem chlazené dvoudobé motory.
- Nikdy nepoužívejte olej pro dvoudobé motory chlazené vodou, někdy také nazývaný olej pro lodní motory (tzv. TCW).
- Nikdy nepoužívejte olej určený pro čtyřdobé motory.
- Olej nízké kvality nebo příliš bohatá směs oleje a paliva může ohrozit funkčnost katalyzátoru a zkrátit jeho životnost.

Poměr směsi

1:50 (2%) s olejem pro dvoudobé motory JONSERED.

1:33 (3%) s ostatními oleji určenými pro dvoudobé motory chlazené vzduchem, klasifikovanými pro JASO FB/ISO EGB.

Benzín, litrů	Olej pro dvoudobé motory, litrů	
	2% (1:50)	3% (1:33)
5	0,10	0,15
10	0,20	0,30
15	0,30	0,45
20	0,40	0,60

Míchání směsi

- Vždy míchejte benzín a olej v čisté nádobě určené na pohonné hmoty.
- Míchání začněte vždy nalitím poloviny dávky benzínu. Potom přidejte celou dávku oleje. Směs paliva dobře promíchejte (protřepejte). Přidejte zbývající polovinu dávky benzínu.
- Směs paliva před nalitím do palivové nádrže zařízení důkladně promíchejte (protřepejte).
- Nemíchejte větší dávku paliva než na jeden měsíc dopředu.
- Pokud po delší dobu stroj nepoužíváte, vyprázdněte a vyčistěte palivovou nádrž.

Olej na mazání řetězu

- Jako mazivo doporučujeme používat speciální olej (řetězový olej) s dobrými adhezivními vlastnostmi.
- Nikdy nepoužívejte vyjetý olej. To by mělo za následek poškození olejového čerpadla, lišty a řetězu.
- Je důležité používat olej správné třídy (s vhodným rozsahem viskozity), který odpovídá teplotě vzduchu.
- Za teplot pod 0 °C (32 °F) se u některých olejů zvyšuje nadměrná viskozita (tuhnou). To může přetěžovat olejové čerpadlo a vést k poškození jeho některých součástí.
- Při výběru oleje na mazání řetězů se obraťte na nejbližší servisní opravnu.

Plnění paliva



VÝSTRAHA! Při této činnosti hrozí nebezpečí požáru, které můžete snížit, když budete dodržovat následující opatření:

V blízkosti paliva nekuřte ani neumísťte žádné horké předměty.

Před doplněním paliva motor vypněte a nechte jej po několik minut zchladnout.

Před doplňováním paliva otevřete uzávěr nádrže pomalu, aby se mohl zvolna uvolnit přetlak.

Po doplnění paliva pečlivě uzavřete uzávěr palivové nádrže.

Nikdy nespustíte motor stroje v prostoru doplňování paliva.

Očistěte plochu kolem uzávěru palivové nádrže. Pravidelně čistěte nádržky paliva a oleje na mazání řetězu. Filtř paliva je nutno vyměňovat alespoň jednou za rok. Znečištění v nádržkách způsobuje poruchy. Před doplňováním paliva zajistěte dobré promíchání směsi protřepáním nádoby. Obsah nádržek paliva a oleje na mazání řetězu je pečlivě sladěn. Nádržky paliva a oleje na mazání řetězu by se proto měly vždy plnit zároveň.



VÝSTRAHA! Palivo a jeho výpary jsou velmi vznětlivé. Při manipulaci s palivem a olejem na mazání řetězu dbejte nejvyšší opatrnosti. Nezapomínejte na nebezpečí požáru, výbuchu a nadýchání výparů.

Bezpečnost při manipulaci s palivem

- Nikdy nedoplňujte palivo do stroje za chodu motoru.
- Při doplňování paliva či míchání směsi (benzín a olej pro dvoudobé motory) zajistěte dostatečné větrání.
- Před zahájením startování se s motorovým foukačem přemístěte alespoň 3 m od místa, kde jste doplňovali palivo.
- Stroj nikdy nespustíte:
 - 1 Jestliže vám na zařízení přeteklo palivo nebo olej na mazání řetězů. Důkladně otřete vylitou kapalinu a nechte zařízení oschnout.
 - 2 Jestliže jste potřísnili palivem sebe nebo oděv, převlékněte se. Omyjte ty části těla, které byly v kontaktu s palivem. Použijte mýdlo a vodu.
 - 3 Jestliže ze stroje uniká palivo. Pravidelně kontrolujte těsnost uzávěru palivové nádrže a přívodu paliva.



VÝSTRAHA! Nikdy nepoužívejte stroj, který má viditelně poškozený kryt zapalovacích svíček a zapalovací kabel. Zvyšuje se zde nebezpečí jiskření, které může způsobit požár.

Přeprava a přechovávání

- Motorovou pilu a palivo vždy uchovávejte tak, aby nehrozilo nebezpečí, že případné úniky nebo výpary přijdou do styku s jiskrami či otevřeným ohněm z elektrických zařízení, elektromotorů, relé/spínačů, bojlerů a podobně.
- Palivo vždy skladujte ve schválených nádobách určených k tomuto účelu.
- Při skladování po delší dobu nebo při přepravě motorové pily je nutné nádrže paliva a mazacího oleje vyprázdnit. Informace o likvidaci paliva a oleje na mazání řetězů získáte u nejbližší benzínové pumpy.
- Před odstavením na delší dobu se ujistěte, že je stroj čistý a je zajištěn kompletním servisem.
- Při přepravě nebo skladování stroje musí být přepravní kryt vždy nasazen na řezací zařízení, aby se zabránilo neúmyslnému kontaktu s ostrým řetězem. I řetěz, který se nepohybuje, může způsobit vážné poranění uživateli nebo jiným osobám, které mají přístup k řetězu.
- Zajistěte stroj během přepravy.

Dlouhodobé uskladnění

V dobře větraném prostoru vyprázdněte nádržky s benzínem a olejem. Skladujte palivo ve schválených nádobách na bezpečném místě. Nasadte kryt lišty. Očistěte stroj. Viz pokyny v kapitole Časový plán údržby.

Startování a vypínání



VÝSTRAHA! Před startováním nezapomínejte na následující:

Brzda řetězu musí být při startování motorové pily aktivovaná, aby se snížilo nebezpečí kontaktu s rotujícím řetězem.

Nikdy nestartujte motorovou pilu aniž by byla lišta, řetěz a všechny kryty správně namontovány. Spojka se jinak může uvolnit a zavinit úraz.

Postavte stroj na pevnou podložku. Ujistěte se, že stojíte bezpečně a že se řetěz nemůže ničeho dotknout.

Zajistěte, aby se v pracovní oblasti a jejím okolí nezdržovaly nepovolané osoby či zvířata.

Studený motor

Startování: Při startování je nutné, aby brzda řetězu byla zapojena. Aktivujte brzdu posunutím krytu ruky proti zpětnému odrazu vpřed. (20)

1. Benzinové čerpadlo: Zmáčkněte několikrát gumovou membránu benzinového čerpadla, až dojde k naplňování prostoru pod membránou palivem. Membrána nemusí být plná. (20)

2. Sytič: Zcela vytáhněte modrou páčku sytiče/startéru (na pozici FULL CHOKE – PLNÝ SYTIČ). Když je páčka sytiče/volnoběhu zcela přitažena, automaticky se nastaví správné nastavení škrtkic klapy. (21)

Startovací plyn: Správného nastavení sytiče/startovacího plynu se dosáhne vysunutím páčky sytiče do polohy zapnuto. (22)

Startování

Levou rukou uchopte přední rukojeť. Pravou nohu zasuňte do zadní rukojeti a přišlápněte motorovou pilu pevně k zemi.

3. Uchopte pravou rukou startovací rukojeť a pomalu vytáhněte startovací lanko až pocítíte odpor (v této chvíli došlo k zaskočení západek ve startovacím mechanismu) a potom silně a rychle a zatáhněte, až motor naskočí. **Nikdy nemotejte startovací lanko kolem ruky.** (25)

VAROVÁNÍ! Nevytahujte celou délku lanka startéru, nepouštějte startovací madlo a nenechávejte plně vytažené lanko samovolně navíjet. To by mohlo stroj poškodit.

4. Jakkmile motor naskočí (uslyšíte "bafnutí"), zamáčkněte "naplň" tlačítko sytiče.

5. Důrazně tahejte za startovací šňůru, dokud motor nenastartuje. (26) Nechte motor běžet třicet sekund, aby se zahřál, a potom stiskněte ovladač plynu a nastavte normální volnoběžné otáčky.

Jelikož je brzda řetězu stále ještě zapojena, je nutno co nejdříve snížit počet otáček motoru na volnoběh, čehož dosáhnete tím, že rychle vypojíte držák škrtkic klapy plynu. Tím se vyhnete zbytečnému opotřebování spojky, bubnu spojky a brzdného pásu.

Pamatujte si! Znovu aktivujte brzdu řetězu zatlačením předního krytu ruky zpět (označeno "PULL BACK TO RESET") směrem k přední rukojeti. Řetězová pila je nyní připravena k použití. (27)

Teplý motor

Startujte stejně jako v případě chladného motoru, pouze bez nastavení reguláže sytiče do polohy syčení. Nastavte plyn na startovací pozici vytažením modré páčky sytiče do polohy syčení a pak ji znovu zatlačte dovnitř. (24)



VÝSTRAHA! Dlouhodobé vdechování výfuků motoru, mlha od řetězového oleje a pilinový prach mohou mít nepříznivý vliv na zdraví.

- Nikdy nestartujte motorovou pilu aniž by byla lišta, řetěz a všechny kryty správně namontovány. Viz pokyny v části Montáž. Když není na motorové pile namontována lišta ani řetěz, spojka může volně fungovat a způsobit vážné zranění. (28)
- Brzda řetězu musí být při startování motorové pily aktivovaná. Viz pokyny v kapitole Spuštění a zastavení. Nikdy motorovou řetězovou pilu nestartujte tak, že byste ji pustili na zem. Tato metoda je extrémně nebezpečná, protože můžete nad motorovou pilou lehce ztratit kontrolu. (29)
- Nikdy nestartujte stroj v uzavřeném prostoru. Vdechování výfukových zplodin je nebezpečné.
- Sledujte své okolí a přesvědčte se, že nehrozí žádné nebezpečí, že by mohly nějaké osoby nebo zvířata přijít do styku s řezným mechanismem.
- Vždy držte motorovou pilu oběma rukama. Pravou ruku mějte na zadní rukojeti a levou ruku na přední rukojeti. **Toto uchycení musí používat všichni uživatelé – praváci i leváci.** Rukojeť držte pevně tak, že palce a ostatní prsty obtočíte okolo rukojeti motorové řetězové pily. (30)

Vypínání

Motor zastavíte stisknutím tlačítka stop. (31)

Před každým použitím: (32)

- 1 Zkontrolujte, zda brzda řetězu řádně funguje a není poškozená.
- 2 Zkontrolujte, zda zadní kryt pravé ruky není poškozen.
- 3 Zkontrolujte, zda držák škrtící klapky plynu řádně funguje a není poškozen.
- 4 Zkontrolujte, zda vypínač funguje správně a zda není poškozen.
- 5 Zkontrolujte, zda není některá z rukojetí znečištěna olejem.
- 6 Zkontrolujte, zda systém tlumení vibrací řádně funguje a není poškozen.
- 7 Zkontrolujte, zda je tlumič zvuku řádně připevněn a není poškozen.
- 8 Zkontrolujte, zda jsou všechny díly na motorové pile dotaženy a nejsou poškozeny nebo chybí.
- 9 Zkontrolujte, zda je lapač řetězu na svém místě a není poškozen.
- 10 Zkontrolujte napnutí řetězu

Obecné pracovní pokyny

UPOZORNĚNÍ!

Tato část popisuje základní bezpečnostní pravidla při použití motorové pily. Tyto informace nikdy nemohou nahradit profesionální zručnost a zkušenost. V případě, že se dostanete do situace, kdy se necítíte bezpečně, ukončete práci a požádejte o radu odborníka. Můžete se obrátit na prodejce motorových pil, servisní opravnu nebo na zkušeného uživatele motorových pil. Nepouštějte se do žádné práce, na kterou se cítíte nedostatečně kvalifikováni!

Před zahájením práce s motorovou pilou je nutné pochopit princip a účinky zpětného rázu a to, jak mu předcházet. Viz pokyny v části Jak zabránit zpětnému rázu.

Před zahájením práce s motorovou pilou musíte pochopit rozdíl mezi řezáním horní a spodní stranou lišty. Viz pokyny v kapitolách Jak zabránit zpětnému odrazu pily a Bezpečnostní zařízení stroje.

Používejte osobní ochranné pomůcky. Viz pokyny v části Osobní ochranné pomůcky.

Základní bezpečnostní pravidla

- 1 Sledujte své okolí:
 - Abyste zabezpečili, že žádní lidé, zvířata ani nic jiného nemůže ovlivnit vaši kontrolu nad strojem.
 - Abyste se ujistili, že cokoli z výše uvedeného je mimo dosah pily a že nikdo nemůže být zraněn padajícím stromem.
- VAROVÁNÍ!** Dodržujte výše uvedené pokyny, ale nepoužívejte motorovou pilu v takových situacích, kde byste se nemohli dovolat pomoci v případě nehody.
- 2 Nepoužívejte motorový foukač za špatného počasí, jako např. v hustém mlze, prudkém dešti, silném větru, silném mrazu apod. Práce za chladného počasí je únavná a často s sebou nese zvýšené nebezpečí, jako např. kluzkou půdu, nepředvídatelný směr pádu poraženého stromu apod.
 - 3 Zvláštní opatření dbejte při odstraňování malých větví, vyvarujte se řezání křoví (tj. řezání mnoha malých

větviček najednou). Malé větvičky se mohou zachytit do řetězu, který je potom může vymrštit proti uživateli a způsobit mu vážné zranění.

- 4 Ujistěte se, že se můžete volně pohybovat a bezpečně stát. Zkontrolujte, zda ve vašem bezprostředním okolí nejsou nějaké překážky (kořeny, kameny, větve, jámy, příkopky apod.), pro případ, že by bylo nutné se rychle přesunout. Zvláštní pozornost věnujte práci ve svažitém terénu.
- 5 Počínajte si obzvláště opatrně při řezání napnutých kmenů. Napnutý kmen může nečekaně odpružit a navrátit se do své přirozené polohy, jak před tak i po řezání. Nesprávná poloha vás nebo řezu může vést k tomu, že strom udeří vás nebo stroj a vy ztratíte kontrolu. Obě okolnosti mohou způsobit vážnou nehodu.
- 6 Při přenášení motorové pily vypněte motor a zajistěte řetěz pomocí brzdy řetězu. Pilu vždy přenášejte tak, aby lišta a řetěz směřovaly dozadu. Pokud pilu přepravujete či přenášíte na delší vzdálenost, nasadte na řeznou lištu ochranný kryt.
- 7 Když položíte motorovou řetězovou pilu na zem, zablokujte pilový řetěz pomocí brzdy řetězu a zajistěte, abyste na stroj neustále viděli. Když od vaší motorové pily odejdete na jakkoliv dlouhou dobu, vypněte motor.



VÝSTRAHA! Někdy třísky uvíznou v krytu spojky a způsobí zaseknutí řetězu. Před čištním vždy vypněte motor.

Obecná pravidla

- 1 Když pochopíte, co zpětný ráz je a jak k němu dochází, můžete omezit nebo vyloučit moment překvapení. Tím, že se budete na jeho možnost připraveni, snížíte jeho riziko. Zpětný ráz je obvykle poměrně slabý, ale někdy může být velmi nečekaný a velmi prudký.
- 2 Je zapotřebí pilu vždy držet pevně pravou rukou za zadní rukojeť a levou rukou za přední rukojeť. Správné uchopení je takové, že palce a prsty obepnou rukojeti. Takto by měl uchopit rukojeti každý uživatel, ať je pravák nebo levák. Toto držení minimalizuje účinek zpětného rázu a pomáhá udržet motorovou pilu pod kontrolou. **Rukojeti nepouštějte!**
- 3 Většina úrazů vyplývajících ze zpětného rázu vzniká při odvětvování. Uživatel musí stát pevně oběma nohama na pevném podkladu a musí zabezpečit, aby se v jeho bezprostředním okolí nenacházelo nic, co by mohlo způsobit klopýtnutí či ztrátu rovnováhy. Ke zpětnému rázu velmi často dochází tehdy, když v okamžiku momentálního nesoustředění uživatele oblast zpětného rázu lišty zavadí o větev, blízký kmen nebo jiný předmět. Mějte neustále přehled o řezaném předmětu. Pokud jsou předměty, které chcete řezat, malé a lehké, mohou se zaklínit do řetězu pily a být vymrštnuty směrem k vám. I když to pro vás nemusí být nebezpečné, mohlo by vás to překvapit a mohli byste ztratit kontrolu nad pilou. Nikdy pilou neřezejte na sobě narovnané klády nebo větve, aniž byste je nejprve od sebe oddělili. Vždy řezejte pouze jednu kládu nebo jeden kus. Odklízejte nařezané kusy pryč, aby byl váš pracovní prostor stále bezpečný.
- 4 **Uživatel by nikdy neměl pracovat s motorovou pilou nad úrovní ramen a řezat pouze špičkou lišty. Pilu při práci nikdy nadržte pouze jednou rukou! (33)**

- 5 K tomu, abyste měli plnou kontrolu nad motorovou pilou, je nutno stát pevně. Nikdy nepracujte ve stoje na žebříku, na stromě nebo tam, kde nemáte pod nohama pevnou půdu. **(34)**
- 6 Při řezání vždy využívejte vysokou rychlost, tzn. plný plyn.
- 7 Dbejte velké opatrnosti při řezání horní stranou lišty, tj. když řezáte kmen zespoda. To se označuje jako řezání odbíhajícím řetězem. Řetěz se snaží tlačit pilu dozadu směrem k uživateli. Pokud se řetěz zaklíní, motorová řetězová pila se může vymrštit dozadu směrem k vám.
- 8 Pokud uživatel neklade této tlačné síle odpor, je nebezpečí, že se pila posune tak daleko dozadu, že ve styku s řezaným kmenem zůstane pouze špička lišty a dojde ke zpětnému rázu. **(35)**
Řezání spodní stranou lišty, tzn. shora dolů, se označuje jako řezání nabíhajícím řetězem. V tomto případě řetěz přitahuje pilu směrem ke stromu a přední část těla pily se při řezání bezprostředně opírá o kmen. Řezání nabíhajícím řetězem poskytuje uživateli lepší kontrolu nad motorovou pilou a polohou oblasti zpětného rázu.
- 9 Broušení a údržbu řetězu a lišty provádějte vždy podle příslušných pokynů. Při výměně lišty a řetězu používejte výhradně kombinace doporučené výrobcem. Prostudujte si pokyny v části „ezný mechanismus a Technické údaje“.

Základní techniky řezání



VÝSTRAHA! Nikdy pilu při práci **nedrže pouze jednou rukou. Motorovou řetězovou pilu není možné bezpečně ovládat, je-li držena pouze jednou rukou. Vždy držte motorovou pilu pevně oběma rukama za rukojeti.**

Všeobecně

- Při řezání vždy používejte maximálních otáček!
- Po každém řezu nechte otáčky motorové pily klesnout na volnoběžné (příliš dlouhý běh motoru na plný plyn bez zatížení, tzn. aniž by pohyb řetězu při řezání něco kladlo odpor, může mít za následek vážné poškození motoru).
- Řezání shora = řezání nabíhajícím řetězem.
- Řezání zespoda = řezání odbíhajícím řetězem.

Řezání odbíhajícím řetězem zvyšuje riziko zpětného rázu. Viz pokyny v části Jak zabránit zpětnému rázu.

Terminologie

Řezání = obecný výraz pro řezání dřeva.

Odvětvování = odřezávání větví z poraženého stromu.

Rozlomení = případ, kdy kmen, který řezáte, praskne ještě před dokončením řezu.

Je pět důležitých faktorů, které by měl uživatel provést předtím, než začne řezat:

- 1 Ujistit se, že nedojde k sevrění řezného mechanismu v řezu.
- 2 Ujistit se, že se řezaný předmět nerozlomí.
- 3 Ujistit se, že řetěz během řezání či po něm neškrtně o zem nebo nějaký jiný předmět.
- 4 Zvážit, zda nehrozí nebezpečí zpětného rázu.
- 5 Zvážit, zda podmínky a okolní terén neovlivňují bezpečnost pohybu či stabilitu.

Dva faktory rozhodují o tom, zda nedojde k sevrění řetězu nebo zda se řezaný kmen nerozlomí: první je způsob, kterým je kmen podepřen před a za řezem, druhý je to, zda je či není tento předmět napružen tlakem.

Ve většině případů můžete zabránit těmto nežádáným problémům řezáním ve dvou etapách: seshora a zespoda. Je zapotřebí podepřít kmen tak, aby během řezání nesevřel řetěz ani se nezlomil.

UPOZORNĚNÍ! Jestliže dojde k sevrění řetězu v řezu:

Vypněte motor! Nepokoušejte se vytáhnout motorovou pilu z řezu. Pokud byste se snažili pilu násilím vytrhnout, mohli byste se o ni zranit, kdyby se náhle uvolnila. Pilu můžete vyprostit tak, že pomocí páky rozevřete

Následující pokyny popisují, jak postupovat v nejobvyklejších situacích, do kterých se při práci s motorovou pilou může uživatel dostat.

Odvětvování

Při odřezávání silných větví by uživatel měl postupovat stejně jako při řezání.

Větvě, u kterých hrozí nějaké nebezpečí, odřezávejte kus po kuse.

Řezání



VÝSTRAHA! Nikdy nezkoušejte klády řezat, když jsou narovnané na sobě nebo když dvě klády leží blízko sebe. Tento způsob práce dramaticky zvyšuje nebezpečí zpětného odrazu, který může mít za následek těžké nebo smrtelné zranění.

Pokud máte hromadu klád, musíte každou kládu, kterou chcete řezat, z této hromady vytahnout, položit na kozu nebo na opěru a řezat ji samostatně.

Odklíďte nařezané kusy z pracovního prostoru. Pokud byste je ponechali v pracovním prostoru, zvyšuje se nebezpečí, že by z důvodu chyb mohlo dojít ke zpětnému odrazu, a nebezpečí, že ztratíte při práci rovnováhu.

Kmen leží na zemi. Nehrozí příliš velké nebezpečí sevrění řetězu a zlomení kmene. Hrozí však nebezpečí, že se řetěz dotkne země při dokončování řezu.

Prořízněte celý kmen seshora. Při dokončování řezu se vyvarujte dotyku řetězu se zemí. Udržujte plné otáčky, ale buďte připraveni na to, co se může stát. **(36)**

V případě, že je možné kmen obrátit, prořízněte kmen přibližně do 2/3 průměru.

Obrátte kmen a dokončete řez z opačné strany.

Kmen je podepřen na jednom konci. Hrozí velké nebezpečí zlomení kmene.

Začněte řezat zespoda (přibližně do 1/3 průměru).

Dokončete řez seshora, tak, aby se oba řezy setkaly.

Kmen je podepřen na obou koncích. Hrozí velké nebezpečí sevrění řetězu.

Začněte řezat seshora (přibližně do 1/3 průměru).

Dokončete řez zespoda, tak, aby se oba řezy setkaly.

Postup při kácení stromů

UPOZORNĚNÍ! Porážení stromů vyžaduje velkou zkušenost. Nezkoušení uživatelé motorové pily by neměli porážet stromy. Nepouštějte se do žádné práce, při níž si nejste jisti!

Bezpečná vzdálenost

Bezpečná vzdálenost mezi stromem, který se má kácet, a jakoukoli osobou, která pracuje poblíž, je alespoň 2 1/2 délky tohoto stromu. Před kácením i během něj kontrolujte, že v této rizikové zóně není žádná jiná osoba. **(37)**

Směr kácení

Cílem je porazit strom do takového místa, kde by jeho kmen mohl být co nejsnadněji odvětvěn a rozřezán. Terén na tomto místě by rovněž měl být takový, aby se zde dalo bezpečně stát a pohybovat.

Jakmile se rozhodnete, kterým směrem chcete strom porazit, musíte posoudit, kterým směrem by tento strom padl přirozeně.

Toto ovlivňuje několik faktorů:

- Náklon stromu
- Zakřivení
- Směr větru
- Uspořádání větví
- Hmotnost eventuelního sněhu
- Překážky v dosahu stromu: například ostatní stromy, elektrické vedení, silnice a budovy.
- Podívejte se, zda na kmeni nenajdete známky poškození a hnihly, které způsobují, že je mnohem pravděpodobnější, že se strom zlomí a začne padat dříve než to budete čekat.

Možná zjistíte, že budete nuceni porazit strom do směru jeho přirozeného pádu, protože je nemožné nebo nebezpečné pokoušet se porazit jej do směru, který si přejete.

Dalším velmi důležitým faktorem, který neovlivňuje směr kácení, ale má vliv na vaši bezpečnost, je stav jeho větví, protože poškozené nebo suché větve by se mohly během kácení odломit a zranit vás.

Při kácení stromu se snažte předejít tomu, aby se jeho kmen opřel o jiný strom. Vyprošťování uvězněného stromu je velmi nebezpečné a představuje vysoké riziko úrazu. Viz pokyny v části Vyprošťování stromu, který padl špatně.

UPOZORNĚNÍ! Při některých nebezpečných situacích během kácení by měl uživatel bezprostředně po vypnutí motoru pily sejmut ochráníče sluchu, aby slyšel všechny zvuky a případné varovné signály.

Čištění kmene a příprava ústupové cesty

Odstraňte z kmene větve do výšky ramen. Je bezpečnější pracovat shora dolů a mít strom mezi vámi a pilou.

Kolem kořene stromu odstraňte všechnu porost a zkontrolujte, zda ve vašem bezprostředním okolí nejsou nějaké překážky (kameny, větve, jámy apod.), tak, abyste měli vyklizenou ústupovou cestu pro okamžik, až strom začne padat. Tato ústupová cesta by měla s **(38)**

- 1 Oblast rizik
- 2 Úniková cesta
- 3 Směr kácení

Kácení



VÝSTRAHA! Pokud jste nebyli speciálně zaškoleni, doporučujeme vám, abyste nekáceli stromy o průměru větším, než je délka lišty vašej pily!

Kácení se provádí třemi řezy. Nejprve provedete směrový zářez, který sestává z horního řezu a spodního řezu, potom kácení dokončíte hlavní řezem. Správným umístěním těchto řezů můžete velmi přesně určit směr pádu stromu.

Směrový zářez

Jako první se u směrového zářezu provádí vždy horní řez. Stůjíte přitom vpravo od stromu a řežete nabíhajícím řetězem.

Jako další provedte spodní řez, a to tak, aby se přesně setkal s koncem horního řezu. **(39)**

Směrový zářez by měl být veden do hloubky 1/4 průměru kmene a úhel mezi horním a spodním řezem by měl být nejméně 45°.

Průsečík obou řezů se označuje jako hrana směrového zářezu. Její linie by měla být dokonale vodorovná a měla by být kolmá (90°) ke zvolenému směru pádu. **(40)**

Hlavní řez

Hlavní řez se provádí z opačné strany stromu a musí být dokonale vodorovný. Stůjíte přitom na levé straně stromu a řežete nabíhajícím řetězem.

Hlavní řez provedte přibližně 3–5 cm (1,5–2 palce) nad spodním směrovým řezem.

Nasaďte zubovou opěrku (pokud je jí pila vybavena) těsně za "dřevorubecský kloub" (viz dále). Rozběhněte motor na plný plyn a zařezávejte řetěz/lištu pomalu do stromu. Kontrolujte, zda se strom nezačne sklánět opačným směrem, než je zamýšlený směr kácení. Jakmile je řez dostatečně hluboký, zarazte do něj klín nebo páčidlo. **(41)**

Dokončete hlavní řez rovnoběžně s hranou směrového zářezu, ale tak, aby mezi nimi zůstal nedořez o tloušťce alespoň 1/10 průměru kmene. Tento nedořez kmene bývá označován jako dřevorubecský kloub.

Dřevorubecský kloub určuje směr, kterým bude strom padat. **(42)**

V případě, že by byl dřevorubecský kloub příliš úzký, že byste přeřezali kmen úplně nebo že by směrový zářez a hlavní řez byly špatně umístěny, ztratíte kontrolu nad směrem kácení.

Po dokončení směrového zářezu a hlavního řezu by se strom měl začít kácet samovolně nebo pomocí dřevorubecského klínu či páčidla.

Doporučujeme, abyste používali lištu, která bude delší než je průměr stromu, abyste mohli provést hlavní řez a směrové řezy "jedním řezným zdvihem". Informace o tom, jaké délky lišty jsou doporučeny pro váš model motorové řetězové pily, naleznete v části Technické údaje.

I pro kácení stromů o průměru větším než je délka lišty existují určité metody. Tyto metody však představují mnohem větší nebezpečí kontaktu oblasti zpětného rázu lišty se stromem.

Vyprošťování stromu, který padl špatně

Vyprošťování "uvězněného stromu"

Vyprošťování uvězněného stromu je velmi nebezpečné a představuje vysoké riziko úrazu.

Nikdy nezkoušejte řezat strom, na který spadnul jiný strom.

Nikdy nepracujte v nebezpečné zóně u visícího zachyceného stromu.

Nejbezpečnější metoda je použít naviják.

- Namontovaný na traktor
- Přenosný

Řezání stromů a větví, které jsou napružené pod tlakem

Příprava: Uvažte, která oblast je napružená tlakem a kde je místo maximálního napětí. (tzn. kde by se kmen zlomil, kdyby byl ohnut ještě více).

Rozhodněte, jaký je nejbezpečnější způsob uvolnění napětí a zda je možné to provést bezpečně. Ve složitých situacích je jedinou bezpečnou metodou odložit pilu a použít naviják.

Obecná rada:

Postavte se na místo, kde by vás neohrozil strom nebo větve při uvolnění napětí.

Proveďte jeden nebo více řezů v bodě maximálního napětí nebo v jeho blízkosti. Počet a hloubka provedených zářezů by měly být dostatečné na snížení napětí a zlomení stromu nebo větve v bodě maximálního napětí.

Nikdy se nepokoušejte přerýznout najednou větev nebo strom, který je napružen tlakem!

Když se musíte prořezat skrz stromy (větve), udělejte dva nebo tři řezy o hloubce 3–5 cm ve vzdálenosti 3 cm od sebe.

Pokračujte v řezání, dokud se neuvolní napětí a ohnutí stromu a větví.

Jakmile se napětí uvolní, řezejte strom a větve z druhé strany.

Jak zabránit zpětnému rázu



VÝSTRAHA! Ke zpětnému rázu může dojít velmi nečekaně a prudce; pila, lišta a řetěz se při něm vymrští dozadu směrem k uživateli. Pokud se tak stane v době, když se řetěz pohybuje, může způsobit velmi vážné nebo i smrtelné zranění. Je zásadně důležité, abyste pochopili, co zpětný ráz způsobuje a že mu můžete předejít opatrností a používáním správných pracovních postupů.

Co je to zpětný ráz?

Výraz zpětný ráz se vždy dochází v řezné rovině lišty, kterého se dotkl horní čtvrtkruh špičky lišty, známý jako oblast zpětného rázu. (43)

Ke zpětnému rázu vždy dochází v řezné rovině lišty. Nejčastěji je pila s lištou vržena dozadu a vzhůru směrem k uživateli. Pohyb motorové pily však může mít i jiný směr, v závislosti na způsobu, kterým se s ní pracovalo v okamžiku, kdy se oblast zpětného rázu dotkla příslušného předmětu.

Ke zpětnému rázu dochází pouze tehdy, když se oblast zpětného rázu lišty dotkne nějakého předmětu. (44)

Odvětvování



VÝSTRAHA! Většina nehod se zpětným odrazem se stane při odvětvování. Nepoužívejte zónu zpětného odrazu lišty. Dejte velký pozor, aby hrot vodící lišty nepřišel do styku s kladou, dalšími větvemi nebo předměty. Dejte velký pozor u větví, které jsou napružené. Mohou se vymrští směrem k vám a způsobit ztrátu kontroly, což by mohlo mít za následek zranění.

Ujistěte se, zda můžete bezpečně stát a zda nic nebrání vašemu pohybu! Pracujte na levé straně kmene. Maximální kontrolu nad pilou si udržíte jen tehdy, když jí budete co nejbližší. Pokud je to možné, nechte ji spočívat svou vahou na kmene.

Při přesouvání podél kmene dbejte na to, aby tento kmen byl stále mezi vámi a pilou.

Rozřezávání kmene na polena

Viz pokyny v části Základní techniky řezání.

Všeobecně

Uživatel smí provádět pouze takové údržbařské a servisní úkony, které jsou popsány v tomto návodu k použití. Rozsáhlejší zásahy je nutno nechat provést autorizované servisní dílně.

Nastavení karburátoru

Váš výrobek firmy Jonsered je konstruován a vyroben dle specifikací, které snižují obsah škodlivin ve výfukových plynech.

Funkce

- Otáčky motoru jsou řízeny páčkou plynu prostřednictvím karburátoru. V karburátoru se míší palivo se vzduchem. Poměr palivo/vzduch ve směsi je nastavitelný. Správné seřízení je zásadně důležité pro dosažení maximálního výkonu stroje.
- Šroubem T se seřizuje nastavení škrtkic klapy při volnoběžných otáčkách. Otáčením šroubu T po směru hodinových ručiček se volnoběžné otáčky zvyšují; jeho otáčením proti směru hodinových ručiček se dosahuje nižších volnoběžných otáček.

Základní nastavení hodnot a záběh

Základní hodnoty karburátoru jsou nastaveny během zkoušek ve výrobě. Jemné nastavení by měl provádět odborně kvalifikovaný mechanik.

Doporučený počet otáček při volnoběhu je: Viz část Technické údaje.

Jemné seřízení volnoběžných otáček T

Volnoběžné otáčky se seřizují pomocí šroubu T. V případě, že je nutné je znovu seřídit, za běhu motoru otáčejte šroubem T po směru hodinových ručiček, dokud se řetěz nezačne pohybovat. Potom šroubem otáčejte proti směru hodinových ručiček, dokud se řetěz nezastaví. Po správném seřízení by měl motor běžet hladce v každé poloze a otáčky motoru by měly zůstat bezpečně nižší než jsou otáčky, při nichž začíná obíhat řetěz.



VÝSTRAHA! V případě, že nelze nastavit takovou hodnotu volnoběžných otáček, při které by byl řetěz v klidu, vyhledejte servisní opravnu. Nepoužívejte motorovou pilu, dokud nebyla správně seřízena nebo opravena.

Kontrola a údržba bezpečnostního vybavení motorové pily

Pamatujte si! Všechny servisní práce a opravy na stroji vyžadují speciální školení. To platí zvláště u bezpečnostního zařízení stroje. Pokud váš stroj nevyhoví kterékoli z níže popsaných kontrol, doporučujeme, aby jej odnesli do servisu. Jakoukoli další údržbu, která není popsána v této příručce, musí provádět pracovník servisní opravy (prodejce).

Před opravou nebo údržbou stroje vypněte motor a odpojte kabel zapalování

Brzda řetězu a chránič levé ruky

Kontrola opotřebením pásku brzdy

Očistěte brzdou řetězu a buben spojky od veškerých pilin, pryskyřice a nečistot. Nečistoty a opotřebení snižují účinnost brzdy. **(45)**

Pravidelně kontrolujte, zda je tloušťka pásku brzdy v nejslabším místě alespoň 0,6 mm.

Kontrola chrániče levé ruky

Zkontrolujte, zda není chránič levé ruky poškozen a zda se na něm neobjevují viditelné vady, jako např. trhliny.

Přesuňte chránič levé ruky dopředu a zpět, abyste zjistili, zda se volně pohybuje a zda je bezpečně upevněn na krytu spojky. **(46)**

Kontrola aktivace brzdy vlivem setrvačnosti

Položte motorovou řetězovou pilu s vypnutým motorem na pařez nebo na jinou stabilní plochu. Uvolněte přední rukojeť a nechejte pilu spadnout vlastní vahou, otáčeje se okolo zadní rukojeti směrem k pařezu.

Při dopadu lišty na pařez by se měla brzda uvést v činnost. (47)

Kontrola spouštění brzdy

Postavte motorovou pilu na pevnou podložku a nastartujte ji. Zajistěte, aby se řetěz nedotýkal země nebo jakéhokoli předmětu. Viz pokyny pod rubrikou Startování a vypínání.

Pevně motorovou pilu uchopte tak, aby palce a prsty obemkly obě rukojeti.

Přidejte plyn, až motorová pila dosáhne plných otáček, a uveďte v činnost brzdou řetězu tlakem levého zápěstí dopředu na chránič ruky. Nepouštějte přední rukojeť. **Řetěz by se měl okamžitě zastavit.**

Pojistka páčky plynu

- Zkontrolujte, zda při uvolnění pojistky páčky plynu zapadne páčka plynu do polohy, při které je motor ve volnoběžných otáčkách.
- Stiskněte pojistku páčky plynu a zkontrolujte, zda se po uvolnění vrátí do své výchozí polohy.
- Zkontrolujte, zda se páčka plynu a její pojistka volně pohybují a zda jejich vratné pružiny fungují správně.
- Nastartujte motorovou pilu a přidejte plyn, až pila dosáhne plných otáček. Uvolněte páčku plynu a zkontrolujte, zda se řetěz zastaví a zůstane nehybný. Pokud se po uvolnění páčky plynu do volnoběžné polohy řetěz pohybuje, měli byste zkontrolovat nastavení

Zachycovač řetězu

Zkontrolujte, zda není zachycovač poškozen a zda je pevně upevněn k tělu motorové pily.

Chránič pravé ruky

Zkontrolujte, zda není chránič pravé ruky poškozen a zda se na něm neobjevují viditelné vady, jako např. trhliny.

Antivibrační systém

Pravidelně kontrolujte, zda se na blocích antivibračního systému neobjevují trhliny či deformace.

Zkontrolujte, zda jsou antivibrační bloky pevně uchyceny k jednotce motoru i k rukojetím.

Stop spínač (vypínač zapalování)

Nastartujte motor a zkontrolujte, zda se motor zastaví při přesunutí vypínače zapalování do vypnuté polohy.

Tlumič výfuku

Nikdy nepoužívejte stroj, který má poškozený tlumič výfuku. Pravidelně kontrolujte, zda je tlumič výfuku bezpečně upevněn k zařízení.

Povšimněte si: Obrazovka lapače jisker (A) na tomto stroji je připravená k provozu. **(48)** Poškozené sítko se musí vyměnit. Jestliže je sítko ucpané, stroj se bude přehřívat, což vede k poškození válce a pístu. Nikdy nepoužívejte stroj, jestliže je tlumič výfuku ve špatném stavu. **Nikdy nepoužívejte tlumič výfuku, jestliže sítko lapače jisker chybí nebo je vadné.**

V případě normálního domácího použití nebude tlumič výfuku ani obrazovka lapače jisker vyžadovat výměnu.

Vzduchový filtr

Vzduchový filtr je nutno pravidelně čistit od prachu a nečistot, jedině tak je možno odstranit:

- Poruchy karburátoru,
- Problémy při startování,
- Snížení výkonu motoru
- Zbytečné opotřebení součástí motoru,
- Nadměrnou spotřebu paliva.
- Odstraňte vzduchový filtr (3) po vyjmutí krytu válce, šroubu (1) a krytu filtru (2). Při opětovném nasazování se ujistěte, že je vzduchový filtr pevně utěsněn k držáku filtru. Vyčistěte filtr pomocí kartáče nebo vyklepáním. **(49)**

Důkladnějšího vyčištění filtru dosáhnete jeho vypráním ve vodě se saponátem.

Vzduchový filtr, který byl používán po delší dobu, již nelze dokonale vyčistit. Filtr se proto musí v pravidelných intervalech měnit za nový. **Rovněž poškozený filtr je nutno vždy vyměnit.**

Zapalovací svíčka

Na stav zapalovací svíčky má nepříznivý vliv:

- Nesprávné seřízení karburátoru.
- Nesprávná palivová směs (příliš mnoho nebo špatný olej).
- Znečištěný vzduchový filtr.

Tyto faktory přispívají k tvorbě usazenin na elektrodách zapalovací svíčky, které mohou následně vést k provozním problémům a obtížím při startování.

Pokud se snižuje výkon zařízení, je obtížné jej nastartovat či dochází k problémům při volnoběžných otáčkách, vždy, než přikročíte k dalším opatřením, nejprve zkontrolujte stav zapalovací svíčky. Jestliže je zapalovací svíčka znečištěná, vyčistěte ji a zkontrolujte, zda je vzdálenost elektrod zapalovací svíčky 0,5 mm. Zapalovací svíčka by se měla vyměňovat po jednom měsíci provozu nebo i častěji, pokud je to nutné. **(50)**

Pamatujte si! Vždy použijte doporučený typ zapalovacích svíček! Použití jiného typu zapalovacích svíček by mohlo poškodit píst či válec. Dbejte na to, aby svíčka měla tzv. radiové odrušení.

Schema technické údržby

Níže je uveden seznam těch úkolů údržby, které je nutno provést na stroji. Většina bodů je popsána v kapitole Údržba.

Denní údržba (každých 5–10 hodin)	Týdenní údržba (každých 10–25 hodin)	Měsíční údržba (každých 25–40 hodin)
Očistěte stroj zvenku.	Zkontrolujte startér, jeho lanko a vratnou pružinu.	Zkontrolujte brzdový pás na brzdě řetězu, zda není opotřebený. Vyměňte jej, jestliže v nejméně opotřebeném bodě je jeho tloušťka menší než 0,6 mm.
Zkontrolujte, zda součásti ovládání plynu fungují bezpečně. (Pojistka páčky plynu a páčka plynu.)	Zkontrolujte, zda nejsou poškozeny antivibrační bloky.	Zkontrolujte opotřebení hřídele spojky, bubnu spojky a pružiny spojky.
Vyčistěte brzdu řetězu a zkontrolujte, zda bezpečně pracuje. Ujistěte se, že zachycovač řetězu je nepoškozený, a v případě potřeby ho vyměňte.	Opilujte všechny eventuální otrěpy na hranách lišty.	Vyčistěte zapalovací svíčku. Ověřte, zda je vzdálenost elektrod zapalovací svíčky 0,5 mm.
Lišta by se měla denně obracet, aby se dosáhlo rovnoměrnějšího opotřebení. Zkontrolujte, zda není ucpaný mazací otvor v liště. Vyčistěte drážku lišty. Jestliže je lišta opatřena špičkou s řetězovým kolečkem, toto kolečko by se mělo namazat.	Vyčistěte komoru karburátoru.	Očistěte vnější povrch karburátoru.
Proveďte, zda lišta a řetěz jsou mazány dostatečným množstvím oleje.	Vyčistěte vzduchový filtr. V případě potřeby ho vyměňte.	Zkontrolujte stav filtru paliva a hadice přívodu paliva. V případě potřeby je vyměňte.
Zkontrolujte pilový řetěz, zda na nýtech a člancích nejsou viditelné praskliny, zda pilový řetěz není ztuhlý nebo zda nýty a články nejsou nadměrně opotřebené. V případě potřeby je vyměňte.		Vyprázdněte palivovou nádržku a vyčistěte ji uvnitř.
Nabruste řetěz a zkontrolujte jeho napnutí a stav. Ověřte, zda není hnací řetězové kolečko nadměrně opotřebené, v případě potřeby ho vyměňte.		Vyprázdněte olejovou nádržku a vyčistěte ji uvnitř.
Očistěte sání vzduchu startovací jednotky.		Překontrolujte všechny elektrické kabely a konektory.
Přesvědčte se, zda jsou matice a šrouby utažené.		
Proveďte činnost vypínače.		
Zkontrolujte, zda neuniká palivo z motoru, nádrže nebo palivových hadiček.		

Technické údaje

	CS 2234	CS 2238
Motor		
Obsah válce, cm ³	38	38
Zdvih, mm	32	32
Otáčky chodu naprázdno, ot/min	3000	3000
Výkon, kW	1,4/9000	1,5/9000
Systém zapalování		
Zapalovací svíčka	Champion RCJ 7Y	Champion RCJ 7Y
Vzdálenost elektrod, mm	0,5	0,5
Palivový a mazací systém		
Objem palivové nádrže, litr	0,3	0,3
Kapacita olejového čerpadla při 8500 ot/min, ml/min	7	7
Objem nádrže oleje, litrů	0,19	0,19
Typ olejového čerpadla	Automatika	Automatika
Hmotnost		
Řetězová pila bez lišty a řetězu, prázdné nádrže, kg	4,7	4,7
Emise hluku (viz poznámka 1)		
Hladina akustického výkonu, změřená dB(A)	115	115
Hladina akustického výkonu, zaručená L _{WA} dB(A)	118	118
Hladiny hluku (viz poznámka 2)		
Ekvivalentní hladina akustického tlaku v úrovni uší obsluhy, dB(A)	100,6	100,6
Ekvivalentní hladiny vibrací, a_{hveq} (viz poznámka 3)		
Přední rukojeť, m/s ²	3,7	3,7
Zadní rukojeť, m/s ²	5,1	5,1
Řetěz/lišta		
Standardní délka lišty, palce/cm	14/35, 16/40	14/35, 16/40
Doporučené délky lišt, palce/cm	14/35, 16/40	14/35, 16/40
Použitelná řezná délka, palce/cm	13,5/34, 15,5/39	13,5/34, 15,5/39
Rozteč, palce/mm	3/8 / 9,52	3/8 / 9,52
Tloušťka unášecích článků, palce/mm	0,050/1,3	0,050/1,3
Typ hnací řetězky/počet zubů	6	6
Rychlost řetězu při maximálním výkonu, m/s	17,1	17,1

Poznámka 1: Emise hluku do okolí naměřená jako efekt zvuku (L_{WA}) dle direktivy ES 2000/14/ES.


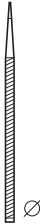

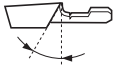


Poznámka 2: Ekvivalentní hladina akustického tlaku, podle normy ISO 22868, se počítá jako časově vážená celková energie pro různé hladiny akustického tlaku za různých pracovních podmínek. Typická statistická odchylka pro ekvivalentní hladinu akustického tlaku je standardní odchylka 1 dB (A).

Poznámka 3: Ekvivalentní hladina vibrací, podle normy ISO 22867, se počítá jako časově vážená celková energie pro hladiny vibrací za různých pracovních podmínek. Uváděná data pro ekvivalentní hladinu vibrací mají typickou statistickou odchylku (standardní odchylku) 1 m/s².

Kombinace lišty a řetězu

Následující řezací vybavení je schváleno pro modely Jonsered CS 2234 a CS 2238.

Lišta				Řetěz	
Délka, palce	Rozeť, palce	Šířka drážky, mm	Max. počet zubů na řetězce na hrotu lišty	Typ	Délka, vodící články (počet)
14	3/8	1,3	7T	Jonsered H37	52
16	3/8		7T		56
18	3/8		7T		62

					
	inch/mm				inch/mm
H37	5/32/4,0	80°	30°	0°	0.025/0,65

ES Prohlášení o shodě

(Platí pouze pro Evropu)

Společnost **Husqvarna**, SE-561 82 Huskvarna, Švédsko, tel: +46-36-1 46 500, prohlašuje se vší zodpovědností, že motorové pily **Jonsered CS 2234 a CS 2238** série z roku 2009 a dále (rok je zřetelně uveden na typovém štítku spolu s následujícím sériovým číslem) jsou v souladu se SMĚRNICÍ RADY:

- ze 17. května 2006 „týkající se strojních zařízení“ **2006/42/EC**
- ze dne 15. prosince 2004 "týkající se elektromagnetické kompatibility" **2004/108/EEC**.
- ze dne 8. května 2000 "týkající se emise hluku do okolí" **2000/14/ES**.

Pro informaci ohledně emisí hluku viz kapitolu Technické údaje. Byly uplatněny následující standardní normy: **EN ISO 12100-2:2003, CISPR 12:2001, EN ISO 11681-1:2004**

Registrační orgán: **0404, SMP Svensk Maskinprovning AB**, Fyrisborgsgatan 3, SE-754 50 Uppsala, Švédsko, provedl schválení typu pro ES dle direktivy o strojích (2006/42/ES), paragraf 12, odstavec 3b. Certifikát schválení typu pro kontrolu ES dle přílohy IX má číslo: **0404/09/2048**.

Dále potvrzuje Svensk Maskinprovning AB, Fyrisborgsgatan 3, SE-754 50 Uppsala, Švédsko, shodu s přílohou ke směrnici rady ze dne 8. května 2000 "o emisí hluku do okolí" 2000/14/ES. Čísła certifikátů jsou: **26/161/003** - CS 2234, **26/161/004** - CS 2238.

Dodaná motorová pila se shoduje se vzorkem, který prošel schvalováním typu pro ES.

Husqvarna, 29. prosince 2009.



Ronnie E. Goldman, Technický ředitel. (Autorizovaný zástupce společnosti Husqvarna AB a odpovědný za technickou dokumentaci).

Vážení zákazník,

Blahoželáme vám, že ste sa rozhodli pre výrobok spoločnosti Jonsered!

Sme presvedčení, že vysoko oceníte kvalitu a výkon nášho výrobku aj o mnoho rokov neskôr. Kúpou jedného z našich výrobkov ste získali prístup k odbornej pomoci pri opravách a servise, kedykoľvek ich budete potrebovať. Ak maloobchodný predajca, ktorý vám predáva stroj, nie je jedným z autorizovaných predajcov, požiadajte o adresu najbližšieho autorizovaného servisu.

Vaša spokojnosť s naším výrobkom a jeho dlhoročná funkčnosť sú naším prianím. Nezabudnite, že tento návod na obsluhu je cenný dokument! Dodržiavaním v ňom uvedených pokynov (týkajúcich sa používania, servisu, údržby a pod.) môžete predĺžiť životnosť stroja a zvýšiť jeho hodnotu pri ďalšom predaji. Ak stroj predávate, skontrolujte, či ste kupujúcemu poskytli aj tento návod na obsluhu.

Veľa šťastia pri používaní vášho stroja značky Jonsered!

Firma Jonsered neustále ďalej vyvíja svoje výrobky a preto si vyhradzuje právo modifikovať dizajn a vzhľad výrobkov bez toho, aby o tom dopredu informovala.

Symbole na stroji:

VAROVANIE! Reťazové píly môžu byť nebezpečné! Neopatrné alebo nesprávne použitie môže spôsobiť vážne až smrteľné zranenie používateľovi a iným osobám.

Prosím, prečítajte si pozorne tento návod na obsluhu a presvedčte sa, či pokynom pred používaním stroja rozumiete.

Vždy majte na sebe:

- Schválenú ochrannú prilbu
- Schválené chrániče sluchu
- Ochranné okuliare alebo štít

Tento výrobok spĺňa platné smernice EÚ.

Hlukové emisie do okolia sú v súlade so smernicou Európskej únie. Emisie stroja sú stanovené v kapitole Technické údaje a na nálepke.

Pri práci sa motorová píla musí držať obidvomi rukami.

Nikdy nedržte motorovú pílu pri práci len jednou rukou.

Nedovoľte, aby sa hrot lišty dostal do kontaktu s inými predmetmi.

VAROVANIE! Ak koniec vodiacej lišty príde do kontaktu s nejakým predmetom, môže dôjsť k spätnému nárazu, ktorý spôsobí, že sa vodiaca lišta odrazí dozadu a nahor smerom k používateľovi. Môže dôjsť k vážnemu poraneniu používateľa.

Brzda reťaze, aktivovaná (vľavo), brzda reťaze, neaktivovaná (vpravo)



Ostatné symboly/emblémy na stroji odkazujú na zvláštne požiadavky certifikácie pre určité trhy

Čo je čo na reťazovej pile? (1)

- 1 Štitok s výstražnými piktogramami
- 2 Kryt valca
- 3 Palivová pumpa
- 4 Štartovacia rukoväť
- 5 Ovládanie sytiča/Štartovací blokovací kohútik plynu
- 6 Vypínač zapaľovania (zapaľovanie zapnuté/vypnuté.)
- 7 Zadná rukoväť
- 8 Palivová nádrž
- 9 Nastavovacie skrutky karburátora
- 10 Kryt štartovania
- 11 Olejová nádrž
- 12 Štitok produktu s výrobným číslom
- 13 Poistná páčka (Zabraňuje náhodnej manipulácii s plynom.)
- 14 Predná rukoväť
- 15 Predný chránič ruky.
- 16 Tlmič výfuku
- 17 Vodiaca lišta
- 18 Vodiace ozubené kolesko lišty
- 19 Reťaz
- 20 Opierka rezania
- 21 Zachytávač reťaze
- 22 Gombík
- 23 Kryt spojky
- 24 Ochranný kryt pravej ruky
- 25 Páčka
- 26 Návod na obsluhu
- 27 Kombinovaný kľúč
- 28 Prepravný kryt vodiacej lišty

Obsah

ÚVOD

Vážený zákazník,	207
Symbody na stroji:	207
Čo je čo na reťazovej pile?	208

OBSAH

Obsah	208
-------------	-----

VŠEOBECNÉ BEZPEČNOSTNÉ OPATRENIA

Pred použitím novej reťazovej pily	209
Dôležité	209
Vždy sa riadte zdravým rozumom	209
Osobné ochranné prostriedky	210
Bezpečnostné vybavenie stroja	210
Rezacia časť	211

MONTÁŽ

Namontovanie vodiacej lišty a reťaze	214
--------------------------------------------	-----

NARÁBANIE S PALIVOM

Palivo	215
Doplňnanie paliva	215
Bezpečnosť práce s palivom	215

ŠTART A STOP

Štart a stop	216
--------------------	-----

PRACOVNÉ TECHNIKY

Pred použitím:	217
Všeobecné pracovné pokyny	217
Ako sa vyhnúť spätnému nárazu	220

ÚDRŽBA

Všeobecné	220
Nastavenie karburátora	220
Kontrola, údržba a servis bezpečnostného vybavenia reťazovej pily	220
Tlmič výfuku	221
Vzduchový filter	221
Zapaľovacia sviečka	221
Plán údržby	222

TECHNICKÉ ÚDAJE

Technické údaje	223
Kombinovanie vodiacej lišty a reťaze	224
EÚ vyhlásenie o zhode	224

Pred použitím novej reťazovej pily

- Starostlivo si prečítajte pokyny.
- (1) – (50) pozri obrázky na str. 2–5.
- Skontrolujte, či je rezacie príslušenstvo správne upravené a nastavené. Prečítajte si inštrukcie v časti Montáž.
- Napiňte a naštartujte reťazovú pílu. Pozrite si pokyny v časti Narábanie s palivom a Štartovanie a zastavenie.
- Nepoužívajte reťazovú pílu, kým nebude reťaz dostatočne naolejovaná. Prečítajte si inštrukcie v časti Mazanie rezacieho príslušenstva.
- Dlhodobé vystavenie hluku môže spôsobiť trvalé poškodenie sluchu. Vždy preto používajte schválené chrániče sluchu.



VAROVANIE! Za žiadnych okolností **ne**meňte pôvodnú konštrukciu bez schválenia od výrobcu. **Vždy používajte originálne náhradné diely. Nepovolené zmeny alebo príslušenstvo môžu viesť k vážnemu zraneniu alebo smrti obsluhy alebo ostatných osôb.**



VAROVANIE! Reťazová píla sa stáva nebezpečným nástrojom, ak sa používa neopatrne alebo nesprávne a môže spôsobiť vážne, dokonca až smrteľné úrazy. Je veľmi dôležité, aby ste si prečítali tento návod na obsluhu a aby ste rozumeli jeho obsahu.



VAROVANIE! Tímčik výfuku obsahuje chemické látky, ktoré môžu mať karcinogénne účinky. Vyhnite sa kontaktu s týmito chemickými látkami v prípade, že sa tímčik výfuku pokazí.



VAROVANIE! Dlhodobé vdychovanie výfukových spodín, výparov reťazového oleja a prachu z pilín ohrozuje vaše zdravie.



VAROVANIE! Tento prístroj vytvára počas prevádzky elektromagnetické pole. Toto pole môže za určitých okolností spôsobovať rušenie aktívnych alebo pasívnych implantovaných lekárskeho prístrojov. Na zníženie rizika vážneho alebo smrteľného zranenia odporúčame osobám s implantovanými lekárskeho prístrojmi, aby sa pred používaním tohto stroja poradili so svojím lekárom a s výrobcom implantovaného lekárskeho prístroja.

Dôležité

DÔLEŽITÉ!

Stroj je určený výlučne na rezanie dreva.

Používať sa môžu iba kombinácie vodiacej lišty a reťaze odporúčané v kapitole Technické údaje.

Nikdy nepoužívajte pílu pri únave, po požití alkoholu alebo liekov, pretože to môže viesť k zníženiu zrakovej schopnosti, schopnosti usudzovania alebo telesnej rovnováhy.

Vždy noste vhodný ochranný odev. Pozrite pokyny v rámci kapitoly Osobné ochranné prostriedky.

Nikdy nemeňte pôvodnú konštrukciu stroja a nepoužívajte ho, ak sa zdá, že ju zmenil niekto iný.

Nikdy nepoužívajte poškodenú stroj. Vykonávajte kontroly, údržbu a dodržiavajte servisné pokyny uvedené v tomto návode. Určité opatrenia týkajúce sa servisu a údržby stroj musia vykonávať iba odborníci. Pozrite si pokyny v časti Údržba.

Nikdy nepoužívajte iné príslušenstvo, ako odporúča tento návod na obsluhu. Prečítajte si inštrukcie v časti Rezacia časť a Technické údaje.

NEZABUDNITE! Vždy noste ochranné rukavice alebo ochranný štít na tvár, aby ste znížili riziko poranenia spôsobeného odraznými predmetmi. Pri vysokej rýchlosti môžu pri používaní reťazovej pily odletovať predmety, napríklad triesky, kusky dreva a pod. Môže dôjsť k vážnemu poraneniu, najmä poraneniu očí.



VAROVANIE! Používanie pily v zle vetraných alebo uzavretých priestoroch môže spôsobiť smrť v dôsledku zadusenía alebo otravou CO.



VAROVANIE! Chybná rezacia časť alebo zlá kombinácia vodiacej lišty a reťazovej pily zvyšujú riziko spätného nárazu! Používajte iba odporúčané kombinácie vodiacej lišty a reťaze a dodržiavajte pokyny pri brúsení. Prečítajte si inštrukcie v časti Technické údaje.

Vždy sa riadte zdravým rozumom (2)

Nie je možné predvídať každú situáciu, ktorá môže pri používaní reťazovej pily nastať. Vždy konajte opatrne a riadte sa zdravým rozumom. Vyvarujte sa každej situácie, ktorá podľa vás presahuje vaše možnosti. Ak si ani po prečítaní týchto pokynov nie ste istí, ako zaobchádzať so strojom, obráťte sa na odborníka. Ak máte akékoľvek otázky ohľadom reťazovej pily, neváhajte kontaktovať svojho predajcu alebo našu spoločnosť. Radi vám poskytneme radu či pomoc, ako používať reťazovú pílu účinne a zároveň bezpečne. Ak je to možné, prihláste sa do školiaceho kurzu o používaní reťazovej pily. Informácie o dostupných školiaciach materiáloch a kurzoch získate u svojho predajcu, v lesníckej škole alebo knižnici. Neustále pracujeme na vylepšení dizajnu a technológie – na vylepšeníach, ktoré zvyšujú bezpečnosť a výkonnosť. Pravidelne sa informujte u svojho predajcu o novinkách, ktoré môžete využiť vo svoj prospech.

Osobné ochranné prostriedky



VAROVANIE! Väčšina úrazov pri práci s reťazovou pilou sa stáva, keď reťaz zasiahne používateľa. Pri akomkoľvek používaní stroja musíte používať schválené osobné ochranné prostriedky. Osobné ochranné prostriedky nevyklúčujú riziko nehôd, ale môže znížiť účinky zranenia v prípade nehody. Pri výbere správnych ochranných prostriedkov sa poraďte so svojim predajcom.

- Schválenú ochrannú prilbu
- Ochrana sluchu
- Ochranné okuliare alebo štít
- Rukavice s ochranou rúk pri pílení
- Nohavice s protiporezovou ochranou nôh
- Ochranné topánky s oceľovou špičkou, protišmyková podrážka
- Majte vždy po ruke lekárničku.
- Hasiaci prístroj a lopata

Odev má byť priliehavý, ale nemá vám brániť vo voľnom pohybe.

DÔLEŽITÉ! Z tmiča výfuku, vodiacej lišty, píly alebo z iného zdroja môžu vyletávať iskry. Hasiaci prístroj majte vždy po ruke pre prípad, že ho budete potrebovať. Môžete tak zabrániť lesnému požiaru.

Bezpečnostné vybavenie stroja

V tejto časti sú vysvetlené bezpečnostné funkcie stroja a ako fungujú. Pokyny týkajúce sa inšpekcie a údržby nájdete v časti Inšpekcia, údržba a servis bezpečnostného vybavenia reťazovej píly. Pozrite si časť "Čo je čo?", kde nájdete umiestnenie týchto súčastí na stoji.

Ak údržbu stroja nevykonávate správnym spôsobom a servis alebo opravy nevykonáva profesionál, môže sa skrútiť životnosť stroja a zvýšiť riziko nehôd. Ak chcete získať viac informácií, kontaktujte najbližší autorizovaný servis.



VAROVANIE! Nikdy nepoužívajte stroj, ktorý má chýbné bezpečnostné súčasti. Bezpečnostné vybavenie sa musí kontrolovať a udržiavať. Pozrite si pokyny v rámci kapitoly Inšpekcia, údržba a servis bezpečnostného vybavenia reťazovej píly. Ak stroj neprejde všetkými kontrolami, doneste ho do autorizovaného servisu na opravu.

Brzda reťaze a predný chránič ruky

Vaša reťazová píla má brzdu, ktorá pri spätnom náraze reťaz zastaví. Brzda reťaze znižuje riziko úrazov, ale iba vy im môžete zabrániť.

Buďte opatrní pri používaní píly a vždy sa presvedčte, že zóna spätného nárazu vodiacej lišty sa nedotýka žiadneho predmetu.

- Brzdu reťaze (A) môžete spustiť buď manuálne (ľavou rukou), alebo pomocou zotrvačných síl. (3)
- Brzda sa uvedie do činnosti po tom, keď sa predný chránič ruky (B) potlačí dopredu. (3)

- Tento pohyb aktivuje pružinový mechanizmus, ktorý napne pásovú brzdu (C) okolo pohonného systému reťaze (D) (bubna spojky). (4)
- Predný chránič ruky nie je určený výlučne na aktiváciu brzdy reťaze. Jeho iná dôležitá vlastnosť je, zmenšenie rizika zásahu vašej ľavej ruky reťazou, ak sa vám vyšmykne predná rukoväť.
- Brzda reťaze musí byť spustená pri štartovaní reťazovej píly, aby zabránila otáčaniu reťaze.
- Brzdu reťaze používajte ako "ručnú brzdu" pri štartovaní a premiestňovaní píly na krátke vzdialenosti, aby ste zabránili nehodám spôsobeným náhodným zasiahnutím osoby či predmetu v blízkosti píly.
- Ak chcete reťaz odbrzdíť, potiahnite predný chránič ruky dozadu, smerom ku prednej rukoväti.
- Spätňý náraz môže byť veľmi nečakaný a silný. Väčšina nárazov je menších a nie vždy aktivujú brzdu reťaze. Ak sa tak stane, treba držať reťazovú pílu pevne a nepustiť ju.
- Spôsob, akým sa brzda reťaze aktivuje, buď manuálne alebo automaticky zotrvačnosťou, závisí od sily spätného nárazu a polohy reťazovej píly k objektu, na ktorý nárazová zóna vodiacej lišty narazí. Ak vás spätňý náraz silno zasiahne vtedy, keď zóna spätného nárazu lišty je veľmi ďaleko od vás, brzda reťaze sa aktivuje pohybom protizávažia (zotrvačnosťou) v smere spätného nárazu. Ak je náraz miernejší, alebo zóna nárazu vodiacej lišty je bližšie ku vám, brzdu budete aktivovať manuálne ľavou rukou.
- Pri pílení je ľavá ruka v polohe, ktorá znemožňuje manuálne spustenie brzdy reťaze. Pri tomto type uchopenia, t. j. ľavá ruka je v polohe, v ktorej nemôže ovplyvniť pohyb predného chrániča ruky, možno brzdu reťaze spustiť iba zotrvačnosťou.

Spustím brzdu reťaze rukou vždy v prípade spätného nárazu?

Nie. Na posunutie ochranného krytu proti spätnému nárazu dopredu je potrebná určitá sila. Ak sa ochranného krytu proti spätnému nárazu dotknete rukou iba jemne alebo sa po ňom ruka iba sklzne, nemusíte vyvinúť dostatočnú silu na spustenie brzdy reťaze. Pri práci tiež musíte pevne držať rukoväť reťazovej píly. Ak stroj držíte pevne a dôjde k spätnému nárazu, nemusí sa vám podať uvoľniť ruku z prednej rukoväte a nespustíte brzdu reťaze, alebo sa brzda reťaze nespustí, až kým sa píla neroztočí vo veľkej vzdialenosti. V takom prípade nemusí brzda reťaze zastaviť reťaz skôr, ako vás zasiahne.

Niekedy sa vám pri práci môže stať, že nedosiahnete na chránič proti spätnému nárazu a nespustíte brzdu reťaze, napríklad vtedy, keď držíte pílu pri pílení.

Spustí zotrvačnosť brzdu reťaze vždy v prípade spätného nárazu?

Nie. Najskôr musí fungovať brzda. Testovanie brzdy je jednoduché. Pokyny na testovanie nájdete v časti Inšpekcia, údržba a servis bezpečnostného vybavenia reťazovej píly. Odporúča sa pred každým štartovaním. Po druhé, spätňý náraz musí byť dostatočne silný, aby sa spustila brzda reťaze. Keby bola brzda reťaze príliš citlivá, spúšťala by sa stále a spôsobovala by tak problémy.

Zabráni brzda poraneniu vřdy v prípade spätného nárazu?

Nie. Predovšetkým musí brzda fungovať, aby zabezpečila potrebnú ochranu. Následne musí byť aktivovaná podľa popisu vyššie, aby zastavila reťaz v prípade spätného nárazu. Až potom môže byť brzda spustená, ale ak máte vodiacu lištu príliš blízko pri tele, môže sa stať, že brzda nespomala a nezastaví reťaz skôr, ako vás zasiahne.

Spätný náraz a s ním spojené riziká môžete znížiť iba vy a správne pracovné techniky.

Poistná páčka plynu

Poistná páčka plynu je skonštruovaná na zabránenie náhodnému stlačeniu plynu. Ak stlačíte poistnú páčku (A) (napr. vtedy, keď uchopte držadlo), uvoľníte páčku plynu (B). Keď uvoľníte držadlo, páčku plynu a poistnú páčku plynu sa spoločne vrátia späť do svojej pôvodnej polohy. Toto usporiadanie znamená, že ovládanie plynu automaticky zablokuje. (5)

Zachytávač reťaze

Zachytávač reťaze je určený na zachytenie reťaze píly, ak sa pretrhne alebo sklzne dolu. Toto by sa nemalo stať, ak je reťaz riadne napnutá (viď inštrukcie v časti Montáž) a ak sa vodiaca lišta a reťaz správne obsluhujú a udržiujú podľa návodu (viď inštrukcie v časti Všeobecné pracovné predpisy).

Ochranný kryt pravej ruky

Ochranný kryt pravej ruky chráni vašu ruku v prípade, že reťaz sklzne alebo sa pretrhne a zároveň nedovoľuje, aby sa konáre a vetvičky zachytávali na vaše ruky na zadnej rukoväti.

Systém na tlmenie vibrácií

Stroj je vybavený systémom na tlmenie vibrácií, ktorý je určený na minimalizovanie vibrácií a uľahčuje jeho prevádzku.

Systém na tlmenie vibrácií znižuje prenos vibrácií medzi motorovou jednotkou/rezným zariadením a rukoväťami stroja. Telo reťazovej píly, včítane rezacej časti, je odizolované od rukoväti tlmičmi vibrácií.

Rezanie tvrdého dreva (väčšina listnatých stromov) spôsobuje viac vibrácií ako rezanie mäkkého dreva (väčšina ihličnany). Rezanie s rezacou časťou, ktorá je tupá alebo chýbná (z lý ty typ alebo zle nabrúsená reťaz) zväčší vibrácie.



VAROVANIE! Nadmerné vystavovanie sa vibráciám môže spôsobiť problém u ľudí so zhoršeným krvným obehom, a taktiež môže spôsobiť poškodenie nervov. Ak sa u vás objavia príznaky nadmerného vystavenia sa vibráciám, kontaktujte svojho lekára. Tieto príznaky sú trpnutie, strata citu, chvenie, pichanie, bolesť, strata sily, zmeny vo farbe a stave pleti. Príznaky sa bežne pociťujú v prstoch, rukách alebo zápästiach. Príznaky sa môžu zhoršiť pri nízkych teplotách.

Vypínač

Vypínač sa používa na vypnutie motora

Tlmič výfuku

Tlmič výfuku je konštruovaný na zníženie úrovni hluku a na smerovanie výfukových plynov od používateľa.



VAROVANIE! Výfukové plyny z motora sú horúce a môžu obsahovať iskry, ktoré môžu vyvolať požiar. Nikdy neštartujte stroj vo vnútri alebo v blízkosti horľavého materiálu!

V krajinách s horúcim a suchým podnebí hrozí veľké nebezpečenstvo lesných požiarov. Platná legislatíva vyžaduje niekedy v týchto krajinách aj povinné vybavenie tlmiča výfuku "zachytávačom iskier" (A), vrátane ďalšieho vybavenia. (6)

NEZABUDNITE! Tlmič výfuku je počas používania a po zastavení veľmi horúci. Platí to aj pri voľnobehu motora. Dávajte pozor na nebezpečenstvo požiaru, najmä pri manipulácii v blízkosti horľavých látok alebo plynov.



VAROVANIE! Nikdy nepoužívajte reťazovú pílu, ak chýba alebo je chybný tlmič výfuku. Chybný tlmič výfuku môže výrazne zvýšiť hladinu hluku a riziko požiaru. Hasiaci prístroj majte vždy po ruke. Nikdy nepoužívajte reťazovú pílu v pracovnom prostredí, kde je povinný zachytávač iskier, ak zachytávač chýba, alebo je poškodený.

Rezacia časť

Táto časť popisuje, ako si vybrať a ako udržiavať rezaciu časť, aby sa:

- Znížilo riziko spätného nárazu.
- Znížilo riziko pretrhnutia a vyskočenia reťaze.
- Dosiahol optimálny výkon rezania.
- Predĺžila životnosť rezacej časti.
- Zabránilo zvyšovaniu hladiny vibrácií.

Základné pravidlá

- **Používajte iba rezacie časti, ktoré vám odporúčame!** Prečítajte si inštrukcie v časti Technické údaje.
- **Dbajte na to, aby rezacie zuby reťaze boli dobre naoštrené!** Dodržujte naše odporúčania a používajte doporučené vodítka pilníka. Poškodená alebo zle naoštrená reťaz zvyšuje riziko nehôd.
- **Dodržujte správne nastavenie hĺbky rezu!** Dodržujte pokyny a používajte odporúčané meradlo nastavenia hĺbky rezu. Príliš veľká hĺbka rezu zvyšuje riziko spätného nárazu.
- **Reťaz musí byť správne napnutá!** Ak je reťaz povolená, je pravdepodobnejšie, že vyskočí a dochádza k väčšiemu opotrebeniu vodiacej lišty, reťaze a hnacieho ozubeného koleska.
- **Rezacia časť musí byť vždy dobre mazaná a udržiavaná.** Málo namazaná reťaz sa ľahšie pretrhne a spôsobuje rýchlejšie opotrebenie lišty a hnacieho ozubeného koleska.

Rezacia časť je navrhnutá tak, aby minimalizovala spätný náraz.



VAROVANIE! Chybná rezacia časť alebo zlá kombinácia vodiacej lišty a reťazovej pily zvyšujú riziko spätného nárazu! Používajte iba odporúčané kombinácie vodiacej lišty a reťaze a dodržiavajte pokyny pri brúsení. Prečítajte si inštrukcie v časti Technické údaje.

Jediný spôsob ako sa vyhnúť spätnému nárazu je dávať pozor, aby sa zóna nárazu vodiacej lišty nikdy ničoho nedotýkala.

Následky spätného nárazu môžete zmierniť tým, že budete používať rezáciu časť so "zabudovanou" redukciou spätného nárazu a tým, že reťaz bude ostrá a dobre udržiavaná.

Vodiaca lišta

Čím menší je polomer zaoblenia, tým menšie je riziko spätného nárazu.

Reťaz

Reťaz je zložená z množstva článkov, ktoré sú buď štandardné alebo vo verzii, ktorá znižuje možnosť spätného nárazu.

DŮLEŽITÉ! Použitie správnej reťaze znižuje riziko spätného nárazu.



VAROVANIE! Akýkoľvek kontakt s rotujúcou reťazou môže spôsobiť veľmi vážne poranenie.

Niektoré výrazy, ktoré popisujú vodiacu lištu a reťaz

Aby ste zabezpečili všetky bezpečnostné funkcie vybavenia reťaze, musíte vymeniť opotrebovanú a poškodenú vodiacu lištu a reťaz za nové odporúčané spoločnosťou Jonserved. Viac informácií o odporúčaných kombináciách vodiacej lišty a reťaze nájdete v časti Technické údaje.

Vodiaca lišta

- Dĺžka (palce/cm)
- Počet zubov na ozubenom koliesku vodiacej lišty (T).
- Delenie reťaze (palce). Vzdialenosť medzi hnacími článkami reťaze sa musí zhodovať so vzdialenosťami zubov na ozubenom koliesku vodiacej lišty a hnacom ozubenom koliesku.
- Počet hnacích článkov. Počet hnacích článkov určuje dĺžku vodiacej lišty, delenie reťaze a počet zubov na čelnom ozubenom koliesku vodiacej lišty.
- Šírka vodiacej drážky lišty (palce/mm). Šírka drážky vo vodiacej lište musí byť zhodná s hrúbkou hnacích článkov reťaze.
- Otvor mazania reťaze a otvor pre napínač reťaze. Pre danú reťaz musí byť zvolená príslušná vodiaca lišta.

Reťaz

- Delenie reťaze (palce).
- Šírka hnacieho článku (mm/palce)
- Počet hnacích článkov.

Naostrenie reťaze a nastavenie hĺbky rezu



VAROVANIE! Vždy, keď pracujete s reťazou si oblečte rukavice, aby ste si neporanili ruku.

Všeobecné informácie o ostrení rezacích zubov

- Nikdy nepoužívajte tupú reťaz. Ak je reťaz tupá, musíte vyvinúť väčší tlak, aby lišta prešla cez drevo a odrezky budú veľmi tenké. Veľmi tupá reťaz netvorí žiadne odrezky. Výsledkom bude len drevný prach.
- Ostrá reťaz si vytvorí cestu a tvorí dlhé, hrubé triesky.
- Rezacia časť reťaze sa volá rezačí článok a skladá sa z rezacieho zuba (A) a obmedzovacieho zuba (B). Hĺbka rezu je daná výškovým rozdielom medzi rezacím zubom a obmedzovacím zubom. (7)

Prí ostrení rezacieho zuba pamätajte na štyri dôležité faktory.

- 1 Uhol brúsenia
- 2 Uhol rezu
- 3 Poloha pilníka
- 4 Priemer okrúhleho pilníka

Je veľmi ťažké správne nabrúsiť reťaz bez správneho vybavenia. Odporúčame vám používať naše vodítka pilníka. Umožní vám to dosiahnuť maximálne zmenšenie spätného nárazu a najlepší výkon pily.

Pozrite si pokyny v časti Technické údaje, kde nájdete informácie o ostrení reťaze.



VAROVANIE! Nedodržanie pokynov o ostrení výrazne zvyšuje riziko spätného nárazu.

Ostrenie rezacích zubov

Na naostrenie zubov budete potrebovať okrúhly pilník a vodítko pilníka. V časti Technické údaje si pozrite informácie o priemere pilníka a o vodítku pilníka, ktoré sa odporúčajú pre váš typ reťazovej pily.

- Skontrolujte, či je reťaz správne napnutá. Nenapnutá reťaz sa bude posúvať nabok, a bude ju ťažšie správne naostríť.
- Brúste zuby vždy z vnútornej strany. Pri spätnom pohybe zmenšite tlak na pilník. Nabrúste všetky zuby najprv na jednej strane, potom otočte pilu a nabrúste zuby na druhej strane.
- Brúste všetky zuby na rovnakú dĺžku. Keď sa dĺžka rezacích zubov zmenší na 4 mm (0.16), reťaz je opotrebovaná a treba ju vymeniť. (8)

Všeobecné rady na nastavenie hĺbky rezu

- Keď ostríte rezacie zuby, zmešujete vzdialenosť medzi reznou a obmedzovacou hranou (=hĺbka rezu). Aby ste dosiahli optimálny výkon rezania, musíte zbrúsiť aj obmedzovacie zuby na odporúčanú výšku. V časti Technické údaje nájdete informácie o hĺbke rezu odporúčanej pre danú reťaz.



VAROVANIE! Ak je hĺbka rezu príliš veľká, je oveľa väčšie aj riziko spätného nárazu!

VŠEOBECNÉ BEZPEČNOSTNÉ OPATRENIA

Prispôsobenie hĺbky rezu

- Ešte pred nastavením hĺbky rezu treba rezacie zuby nanovo naostriť. Odporúčame nastaviť hĺbku rezu po každom treťom ostrení reťaze. **VŠIMNITE SI!** Toto odporúčanie predpokladá, že dĺžka rezacieho zuba nie je nadmerne skrátaná.
- Na nastavenie hĺbky rezu budete potrebovať plochý pilník a mierku hĺbky rezu. Odporúčame, aby ste pri meraní hĺbky rezu používali našu mierku na obmedzovacie zuby, aby sa zaistila správna hĺbka rezu a správny uhol na vodiacej ploche.
- Umiestnite mierku na obmedzovacie zuby na reťaz. Informácie o používaní mierky pilníka nájdete na balení. Na zbrúsenie vyčnievajúcej časti obmedzovacieho zuba používajte plochý pilník. Hĺbka rezu je správna, keď pri ťahaní pilníka po meradle necítite žiaden odpor.

Napnutie reťaze



VAROVANIE! Nenapnutá reťaz môže spadnúť a spôsobiť vážne až smrteľné zranenie.



VAROVANIE! Vždy používajte schválené ochranné rukavice. Aj keď reťaz nie je v pohybe, môže spôsobiť vážne poranenie používateľovi alebo iným osobám, ktoré k nej majú prístup.

Čím viac reťaz používate, tým viac sa predžuje. Preto je dôležité pravidelne reťaz napínať.

Vždy pri doplnení paliva skontrolujte napnutie reťaze. **VŠIMNITE SI!** Nová reťaz má dobu zábehu, počas ktorej by ste napnutie reťaze mali kontrolovať častejšie.

Napnite reťaz čo najpevnejšie, ale nie až tak, aby ste ju nemohli voľne rukou otáčať. **(9)**

- Uvoľnite matice na vodiacej lište, ktoré držia kryt spojky/brzdy reťaze. Použite kombinovaný kľúč na matice. Potom rukou pritiahnite matice čo najpevnejšie. **(10)**
- Nadvihnite špičku vodiacej lišty a napnite reťaz tak, že pritiahnete skrutku na napínanie reťaze kombinovaným kľúčom. Napnite reťaz tak, aby neprevísala zo spodnej strany vodiacej lišty. **(11)**
- Na upevnenie skrutiek krytu vodiacej lišty použite kombinovaný kľúč na matice a utiahajte ich pri nadvihnutom čele vodiacej lišty. Skontrolujte, či môžete rukou voľne otáčať reťaz a či reťaz dole neprevísala. **(12)**

Mazanie rezacej časti.



VAROVANIE! Zlé mazanie rezacej časti môže spôsobiť pretrhnutie reťaze, čo môže zapríčiniť vážne až smrteľné zranenie.

Reťazový olej

Reťazový olej musí mať dobrú príľnavosť, musí mať charakteristickú viskozitu v lete aj v zime.

Ako výrobca reťazových píl sme vyvinuli aj optimálny olej na mazanie reťaze, ktorý je biologicky odbúrateľný, pretože je vyvinutý na rastlinnom olejovom základe. Odporúčame vám používať náš vlastný olej, pretože zaručuje rovnakú maximálnu životnosť reťaze a minimalizuje znečisťovanie životného prostredia. Ak nedostanete náš olej, odporúča sa používať štandardný motorový olej.

Nikdy nepoužívajte použitý olej! Je to nebezpečné pre vás samotných, pre váš stroj a pre životné prostredie.

DÔLEŽITÉ! Ak na mazanie reťazovej pily používate olej na rastlinnom základe, pred dlhodobým skladovaním odmontujte a vyčistite drážku vodiacej lišty a reťaz. V opačnom prípade hrozí riziko oxidovania oleja na mazanie reťaze, čo spôsobí, že reťaz stvrdne a ozubené koliesko vodiacej lišty sa zasekne.

Dopĺňanie reťazového oleja

- Všetky naše reťazové pily majú automatický systém mazania reťaze. Na niektorých modeloch je tok oleja tiež nastaviteľný.
- Nádrže na olej na mazanie reťaze a palivo sú skonštruované tak, aby sa palivo minulo skôr ako olej na mazanie reťaze. Toto bezpečnostné opatrenie si však vyžaduje používať správny druh oleja (ak je olej príliš riedky, minie sa skôr ako palivo), a tiež je nutné nastaviť karburátor presne podľa odporúčaní (chudobná zmes môže spôsobiť, že palivo vydrží dlhšie ako olej). Treba tiež používať odporúčanú rezaciu časť (príliš dlhá vodiaca lišta spotrebuje viac reťazového oleja).

Kontrola mazania reťaze

- Vždy keď plníte palivo skontrolujte, či je v poriadku mazanie reťaze. Pozrite si pokyny v časti Mazanie ozubeného kolieska vodiacej lišty. Nasmerujte čelo vodiacej lišty na svetlo sfarbený povrch vzdialený asi 20 cm (8 inches). Asi po 1 minúte, pri chode na 3/4 plynu, by ste mali vidieť zreteľnú čiaru oleja na svetlej ploche–
- Ak mazanie reťaze nie je v poriadku:
 - Skontrolujte, či nie je upchatý olejový kanálik na vodiacej lište. Ak je to potrebné, vyčistite ho.
 - Skontrolujte, či je čistá drážka vodiacej lišty. Ak je to potrebné, vyčistite ju.
 - Skontrolujte, či sa vodiace ozubené koliesko lišty voľne otáča, a či otvor na mazanie na koliesku nie je upchatý. Vyčistite a namažte, ak je to nutné.

Ak systém mazania ani po týchto kontrolách nie je funkčný, mali by ste vyhľadať servis.

Hnacie koliesko reťaze

Spojkový valec je namontovaný pomocou súkolia (reťazové koliesko je prívarené k valcu).

Skontrolujte pravidelne opotrebovanie na hnacom ozubenom koliesku. Vymeňte ho, ak je nadmerne opotrebované. Vždy, keď vymieňate reťaz, vymeňte aj hnacie koliesko reťaze.

Kontrola opotrebovania rezacej časti

Každý deň kontrolujte reťaz, či:

- V nitoch a článkoch nie sú viditeľné praskliny.
- Je reťaz pevná.
- Nity a články nie sú veľmi opotrebované.

Ak sa na reťazi prejaví ktorákoľvek zo skutočností uvedených vyššie, vymeňte ju.

Odporúčame vám porovnať reťaz, ktorú práve používate s celkom novou reťazou, aby ste mohli posúdiť opotrebovanie vašej reťaze.

Keď sa dĺžka rezacích zubov opotrebuje na 4 mm, reťaz treba vymeniť.

Vodiaca lišta

Kontrolujte pravidelne:

- Či nie sú na vonkajších stranách vodiacej lišty výtlky. Odberte ich, ak je to potrebné. **(13A)**
- Či drážka vodiacej lišty nie je nadmerne opotrebovaná. Ak je to nutné, vymenite vodiacu lištu. **(13B)**
- Či nie je čelo vodiacej lišty nerovnomerne alebo nadmerne opotrebované. Ak sa na spodnej strane čela vodiacej lišty tvoria priehlbinky, znamená to, že sa pílilo s voľnou reťazou.
- Ak chcete predĺžiť životnosť vodiacej lišty, mali by ste ju denne otáčať.



VAROVANIE! Väčšina úrazov pri práci s reťazovou pilou sa stáva, keď reťaz zasiahne používateľa.

Vždy noste vhodný ochranný odev. Pozrite pokyny v rámci kapitoly Osobné ochranné prostriedky.

Nepúšťajte sa do práce, pre ktorú nemáte dostatočnú kvalifikáciu. Pozrite si inštrukcie v častiach Osobné ochranné prostriedky, Preventívne opatrenia proti spätnému nárazu, Rezacia časť a Všeobecné pracovné predpisy.

Vyhýbajte sa situáciám, pri ktorých dochádza k spätnému nárazu. Pozrite si inštrukcie v časti Bezpečnostné vybavenie pily.

Používajte odporúčané ochranné vybavenie a kontrolujte jeho stav. Pozrite si inštrukcie v častiach Všeobecné pracovné predpisy.

Skontrolujte funkčnosť bezpečnostného vybavenia pily. Pozrite si inštrukcie v časti Všeobecné pracovné predpisy a Všeobecné bezpečnostné opatrenia.

Namontovanie vodiacej lišty a reťaze



VAROVANIE! Skôr, ako vykonáte akúkoľvek kontrolu alebo údržbu, vypnite motor. Vypínač sa automaticky vráti do polohy štartovania. Kryt zapalovacej sviečky treba pri montáži, kontrole a údržbe odmontovať zo sviečky, aby sa zabránilo náhodnému naštartovaniu.

Vždy, keď pracujete s reťazou si oblečte rukavice, aby ste si neporanili ruky.

Skontrolujte, či nie je brzda reťaze aktivovaná, a to tak, že pohnete predný chránič ruky smerom ku prednej rukoväti.

Odstraňte matice z krytu vodiacej lišty a zložte kryt spojky (brzda reťaze). Dajte dolu prepravny krúžok. (A) **(15)**

Nasaďte vodiacu lištu na vodiace kolíky. Umiestnite lištu do jej najzadnejšej polohy. Umiestnite reťaz na hnacie reťazové koliesko, umiestnite ju do drážky na vodiacej lište. Začnite na hornom okraji vodiacej lišty. **(17)**

Presvedčte sa, že ostré hrany rezacích článkov sú obrátené smerom dopredu k hornému okraju lišty.

Namontujte kryt spojky (brzda reťaze) a nezabudnite vložiť kolík pre napínanie reťaze do otvoru v lište. Skontrolujte, či nosné články reťaze správne zapadajú do vybrania hnacieho reťazového kolieska a či je reťaz správne usadená v drážke lišty. Prstami pevne pritiahnite matice lišty. **(17)**

Napnite reťaz otáčaním napínacej skrutky reťaze v smere hodinových ručičiek pomocou kombinovaného kľúča. Reťaz treba napínať tak dlho, kým neprestane voľne visieť na spodnej časti lišty. Pozrite si pokyny v časti Napnutie reťaze. **(18)**

Reťaz je správne napnutá vtedy, keď zospodu neprevisa a dá sa rukou ľahko posúvať. Nadvihnite čelo vodiacej lišty a zatiahnite matice na kryte pomocou kombinovaného kľúča na matice. **(19)**

Keď dáte novú reťaz, je treba často kontrolovať jej napnutie, až kým sa reťaz nezabehne. Kontrolujte napnutie reťaze pravidelne. Správne napnutá reťaz vám zaisť dobrý výkon pily a jej dlhú životnosť. **(19)**

Montáž opierky rezania

Spojte sa so servisným technikom, ak budete chcieť namontovať opierku rezania.

Palivo

Poznámka! Stroj je vybavený dvojtaktným motorom a vždy sa musí prevádzkovať s použitím zmesi benzínu a dvojtaktného motorového oleja. Je dôležité presne namerať množstvo oleja, ktoré sa má zmiešať, aby sa zabezpečilo dosiahnutie správnej zmesi. Pri miešaní malých množstiev paliva môžu aj malé nepresnosti značne ovplyvniť pomer zmesi.



VAROVANIE! Pri narábaní s palivom vždy zabezpečte adekvátne vetranie.

Benzín

- Používajte bezolovnatý alebo olovnatý benzín dobrej kvality.
- Najnižšie odporúčané oktánové číslo je 90 (RON). Ak budete používať nižší stupeň ako 90, môže nastať tzv. klepanie. Toto spôsobí vysokú teplotu motora a zväčšenú záťaž ložísk, čo môže motor vážne poškodiť.
- Keď pracujete dlhodobo s plným plynom (npr. odvetvovanie), odporúča sa použiť benzín s vyšším oktánovým číslom.

Zábeh

Počas prvých desiatich hodín nenechávajte stroj dlhší čas bežať na vysoké otáčky.

Dvojtaktný olej

- Používajte dvojtaktný motorový olej JONSERED, ktorý sa špeciálne vyrába pre vzduchom chladené dvojtaktné motory, aby ste tak dosiahli najlepší výsledok a výkon.
- Nikdy nepoužívajte dvojtaktný olej určený pre vodou chladené závesné motory, niekedy nazývaný aj olej pre lodné motory (TCW).
- Nikdy nepoužívajte olej určený pre štvrtaktné motory.
- Nizkokvalitný olej alebo príliš obohatená zmes oleja a paliva môžu ohroziť funkciu katalyzátora a znížiť jeho životnosť.

Pomer zmiešavania

Zmes 1:50 (2%) dvojtaktného oleja JONSERED.

1:33 (3%) s inými olejmi určenými pre vzduchom chladené dvojtaktné motory zaradené do triedy JASO FB/ISO EGB.

Benzín, liter	Dvojtaktný olej, liter	
	2% (1:50)	3% (1:33)
5	0,10	0,15
10	0,20	0,30
15	0,30	0,45
20	0,40	0,60

Miešanie

- Benzín a olej vždy miešajte v čistej nádobe určenej na palivo.
- Vždy začínajte tak, že nalejete polovičné množstvo benzínu, ktorý sa má použiť. Potom pridajte celé množstvo oleja. Palivovú zmes premiešajte (pretraste). Pridajte zvyšné množstvo benzínu.
- Palivovú zmes pred naplnením do palivovej nádrže stroja dobre premiešajte (pretraste).
- Nenamiešavajte viac ako maximálne jednomesačnú zásobu paliva.
- Ak sa stroj dlhšiu dobu nepoužíva, palivová nádrž by sa mala vyprázdniť a očistiť.

Reťazový olej

- Na mazanie odporúčame používať špeciálny olej (reťazový olej) s dobrou priľnavosťou.
- Nikdy nepoužívajte použitý olej. Poškodili by ste olejové čerpadlo, vodiacu lištu a reťaz.
- Je dôležité používať olej správnej viskozity, aby vyhovoval teplote vzduchu.
- Pri teplotách pod 0°C (32°F) môžu niektoré oleje tuhnúť. Môže to preťažiť olejovú pumpu a následne poškodiť jej komponenty.
- Keď budete meniť reťazový olej, spojte sa so svojim servisom.

Doplňanie paliva



VAROVANIE! Ak budete dodržiavať nasledovné opatrenia, zmenšíte tým riziko požiaru:

Nefajčite ani nekladte horúce predmety do blízkosti paliva.

Pred doplnením paliva motor vždy zastavte a nechajte ho na niekoľko minút vychladnúť.

Pri doplňaní paliva pomaly otvorte palivový uzáver, tak aby sa povolila uvoľniť akýkoľvek nadmerný tlak.

Po naplnení paliva starostlivo zatiahnite palivový uzáver.

Pred naštartovaním sa vždy vzdialte so strojom od miesta doplňania paliva.

Vyčistite priestor okolo palivového veka. Čistite pravidelne palivovú nádrž a nádrž pre reťazový olej. Palivový filter sa musí meniť aspoň raz za rok. Nečistoty v nádržiach spôsobujú poruchy. Pred naliatím do nádrže pily palivovú zmes dobre premiešajte. Palivová a olejová nádrž sú kapacitne vzájomne prispôbené. Preto by ste mali vždy plniť nádrž reťazového oleja a palivovú nádrž súčasne.



VAROVANIE! Palivo a výpary paliva sú veľmi horľavé. Pri manipulácii s palivom a reťazovým olejom buďte opatrní. Uvedomte si riziko požiaru, výbuchu a vdýchnutia nebezpečných pár.

Bezpečnosť práce s palivom

- Nikdy nedoplňajte palivo počas chodu motora.
- Pri doplňovaní alebo miešaní paliva (benzín a dvojtaktný olej) zabezpečte čo najlepšie vetranie.
- Pred naštartovaním sa vzdialte so strojom najmenej 3 metre od miesta doplňania paliva.
- Nikdy stroj neshartujte:
 - 1 Ak ste vyliali palivo alebo reťazový olej na motor. Utrite všetko a nechajte vypariť zvyšky rozliateho paliva.
 - 2 V prípade, že vylejete palivo na seba alebo na svoje šaty, vymeňte si ich. Poumyvajte si všetky časti tela, ktoré prišli do kontaktu s palivom. Použite mydlo a vodu.
 - 3 Ak zo stroja presakuje palivo. Pravidelne kontrolujte, či z uzáveru nádrže alebo palivových vedení nepresakuje.



VAROVANIE! Nikdy nepoužívajte stroj s viditeľne poškodeným chráničom zapalovacej sviečky a káblom zapalovania. Zvyšuje sa riziko iskrenia, ktoré môže spôsobiť požiar.

Preprava a uchovávanie

- Skladujete pohonné hmoty a pílu vždy tak, aby neprišli do styku s iskrami alebo s otvoreným ohňom z elektrických zariadení, motorov, relé, vypínačov, bojlerov a podobne.
- Palivo vždy uchovávejte v schválenej nádobe určenej na uvedený účel.
- Pri dlhšom skladovaní, alebo transporte píly musia byť nádrže na olej a palivo vyprázdnené. Informujte sa na čerpacej stanici, kde je možné zlikvidovať odpadový olej a palivo.
- Pred dlhodobým skladovaním vykonajte kompletný servis a vyčistite stroj.
- Ochranný kryt rezacej časti musí byť nasadený vždy pred prepravou alebo skladovaním píly, aby ste predišli neúmyselnému kontaktu s ostrou reťazou. Aj keď reťaz nie je v pohybe, môže spôsobiť vážne poranenie používateľovi alebo iným osobám, ktoré k nej majú prístup.
- Zabezpečte stroj počas prepravy.

Dlhodobé skladovanie

Vyprázdňte nádrže paliva a oleja na dobre vetranom mieste. Palivo skladujte vo schválených nádobách a na bezpečnom mieste. Založte preparatívny kryt vodiacej lišty. Vyčistite stroj. Pozrite si pokyny v časti Plán údržby.

Štart a stop



VAROVANIE! Pred naštartovaním dbajte na nasledovné:

Brzda reťaze sa musí spustiť pri štartovaní reťazovej píly, aby sa znížilo riziko kontaktu s rotujúcou reťazou.

Nikdy neštartujte reťazovú pílu skôr ako dôkladne namontujete vodiacu lištu, reťaz a všetky kryty. V opačnom prípade sa môže uvoľniť spojka a zapríčiniť zranenia osôb.

Položte stroj na pevnú zem. Presvedčte sa, že máte bezpečnú oporu nôh a že reťaz sa nemôže ničoho dotknúť.

Držte nepovolane osoby mimo pracovnej oblasti.

Studený motor

Štartovanie: Brzda reťaze musí byť aktivovaná pri štartovaní píly. Aktivujte brzdu posunutím predného chrániča ruky dopredu. (20)

1. Palivová pumpa: Opakovane stláčajte klobúčik palivovej pumpy, kým sa nenaplní palivom. Palivová pumpa nemusí byť naplnená úplne. (23)

2. Sýtič: Úplne vytiahnite modrú páčku sýtiča/štartéra (na pozíciu **FULL CHOKE – PLNÝ SÝTIČ**). Keď je páčka sýtiča/vysokého voľnobehu vytiahnutá naplno, škrtiaca klapka sa správne nastaví automaticky. (21)

Štartovací plyn: Správne nastavenie sýtiča/štartovacieho plynu dosiahnete posunutím ovládania do polohy zapnutého sýtiča. (22)

Štartovanie

Uchopte ľavou rukou prednú rukoväť. Držte reťazovú pílu na zemi tým, že pravú nohu zasuniete do zadnej rukoväte.

3. Potiahnite štartovaciú rukoväť pravou rukou a vyťahujte pomaly štartovaciú šnúru, až kým nebudete cítiť odpor (západky štartéra sa uvádzajú do činnosti), a potom potiahnite pevne a rýchlo. **Štartovaciú šnúru si nikdy neomotávajte okolo ruky.** (25)

NEZABUDNITE! Šnúru štartéra nevyťahujte naplno a nepúšťajte držadlo štartéra pri plnom vytiahnutí šnúry. Môže to poškodiť stroj.

4. Len čo motor naskočí (budete počuť „bafnutie“), zatlačte „napol“ páčku sýtiča. (21)

5. Dôrazne ťahajte za štartovaciú šnúru, kým motor nenaštartuje. (26) Nechajte motor bežať tridsať sekúnd, aby sa zahrial, a potom stlačte ovládač plynu a nastavte normálne voľnoběžné otáčky.

Pretože je brzda reťaze ešte stále zapojená, je nutné čo najskôr znížiť počet otáčok motora na voľnobeh, čoho dosiahnete tým, že vypojiťe držiak škrtiacej klapky plynu. Tým sa vyhnete zbytočnému opotrebovaniu spojky, bubna spojky a brzdneho pásu.

Poznámka! Vypnite brzdu reťaze pritiahnutím predného chrániča ruky (označeného "PULL BACK TO RESET") smerom ku prednej rukoväti. (27) Reťazová píla je teraz pripravená na používanie.

Teplý motor

Štartujte rovnako ako v prípade studeného motora, len bez nastavenia regulácie sýtiča do polohy sýtenia. Nastavte plyn na štartovaciú pozíciu vytiahnutím modrej páčky sýtiča do polohy sýtenia a potom ju znovu zatlačte dovnútra. (24)



VAROVANIE! Dlhodobé vdychovanie výfukových spodín, výparov reťazového oleja a prachu z pílin ohrozuje vaše zdravie.

- Nikdy neštartujte reťazovú pílu skôr ako dôkladne namontujete vodiacu lištu, reťaz a všetky kryty. Prečítajte si inštrukcie v časti Montáž. Ak nie je na reťazovej pile upevnená vodiaca lišta a reťaz, spojka sa môže uvoľniť a spôsobiť vážne poranenie. (28)
- Brzda reťaze musí byť spustená pri štartovaní píly. Prečítajte si inštrukcie v časti Štartovanie a zastavenie. Neštartujte pílu, ak nie je pevne uchytená. Tento spôsob je veľmi nebezpečný, pretože sa vám píla môže veľmi ľahko vymknúť spod kontroly. (29)
- Nikdy stroj neštartujte v uzavretom priestore. Výfukové plyny môžu byť pri vdychnutí nebezpečné.
- Presvedčte sa, že v blízkosti nie sú ľudia alebo zvieratá, ktorých by mohla reťaz zasiahnuť.
- Reťazovú pílu držte vždy oboma rukami. Pravou rukou uchopte zadnú rukoväť a ľavou rukou prednú rukoväť.

Pílu by takto mali používať všetci užívateľia, praváci aj ľaváci. Rukoväť držte pevne tak, aby ste palcami a prstami obopli rukoväť reťazovej píly. (30)

Zastavenie

Motor zastavíte stlačením tlačidla stop. (31)

Pred použitím: (32)

- 1 Skontrolujte funkčnosť a stav brzdy reťaze.
- 2 Skontrolujte, či nie je poškodený zadný ochranný kryt pravej ruky.
- 3 Skontrolujte funkčnosť a stav páčky plynu.
- 4 Skontrolujte funkčnosť a stav vypínača.
- 5 Skontrolujte, či rukoväte nie sú zaolejšované.
- 6 Skontrolujte funkčnosť a stav antivibračného systému.
- 7 Skontrolujte, či je tlmič výfuku pevne prichytený a nie je poškodený.
- 8 Skontrolujte, či sú všetky časti píly dobre dotiahnuté, či nie sú poškodené a či sú kompletne.
- 9 Skontrolujte, či je zachytávač reťaze na svojom mieste a či nie je poškodený.
- 10 Skontrolujte napnutie reťaze.

Všeobecné pracovné pokyny

DÔLEŽITÉ!

Táto časť popisuje základné bezpečnostné predpisy pre používanie reťazovej píly. Tieto informácie nikdy nenahrádzajú odborné zručnosti a skúsenosti. Ak sa dostanete do situácie, v ktorej si sami nebudete vedieť rady, obráťte sa na odborníka. Spojte sa so svojim predajcom, servisným zástupcom alebo skúseným používateľom reťazovej píly. Nepokúšajte sa vykonávať činnosti, v ktorých nemáte istotu!

Pred použitím reťazovej píly musíte poznať účinok spätného nárazu a ako mu predchádzať. Pozrite si inštrukcie v časti Ako sa vyhnúť spätnému nárazu.

Pred použitím motorovej reťazovej píly sa musíte zoznámiť s rozdielmi medzi pílením hornou a dolnou stranou vodiacej lišty. Pozrite si pokyny v častiach Preventívne opatrenia proti spätnému nárazu a Bezpečnostné vybavenie stoja.

Vždy noszte vhodný ochranný odev. Pozrite pokyny v rámci kapitoly Osobné ochranné prostriedky.

Základné bezpečnostné pravidlá

- 1 Pozrite sa okolo seba:
 - aby ste sa presvedčili, či ľudia, zvieratá alebo ostatné veci nemôžu ovplyvniť vaše ovládanie stroja.
 - Presvedčte sa, že nikto nie je v dosahu píly a nemože byť zranený pilou alebo padajúcimi stromami.

NEZABUDNITE! Dodržujte vyššie uvedené pokyny, ale nikdy nepoužívajte pílu, ak nemôžete privolať pomoc v prípade úrazu.

- 2 Nepoužívajte stroj v nepriaznivých podmienkach, ako sú hustá hmľa, silný dážď a vietor, krutá zima a podobne. Práca v zlom počasí je únavná a často prináša ďalšie riziká, ako sú šmykľavý povrch, nepredvídateľný smer pádu ap.
- 3 Dávajte pozor pri odvetvovaní malých vetvičiek a vyhýbajte sa píleniu krovia (teda píleniu množstva malých vetiev naraz). Malé vetvičky sa môžu zachytiť do reťaze, vyletieť na používateľa a spôsobiť mu vážne zranenie.
- 4 Presvedčte sa, že dobre a pevne stojíte. Skontrolujte, či okolo vás nie sú prekážky (korene, skaly, vetvy, jamy a podobne) pre prípad, že by ste sa museli náhle pohnúť. Dávajte si pozor pri práci na svahu.

- 5 Venujte maximálnu pozornosť píleniu stromov pri prerézávke, v ktorých je napätie. Napnutý strom sa môže náhle vymrštiť späť do pôvodnej polohy pred tým alebo po tom, ako ho spílite. Ak stojíte na nesprávnej strane, alebo začnete rezať na nesprávnom mieste, môže strom zasiahnuť vás alebo vašu reťazovú stroj. Následne môžete nad strojom stratiť kontrolu a spôsobiť si vážne poranenie.
- 6 Pred premiestnením píly vypnite motor a reťaz zabrzdiťe brzdou. Pílu neste tak, aby vodiaca lišta a reťaz smerovali dozadu. Pred presunom píly na akúkoľvek vzdialenosť nasadte na vodiacu lištu a reťaz prepravny kryt.
- 7 Keď kladiete reťazovú pílu na zem, zabrzdiťe reťaz brzdou a skontrolujte, či ju budete mať stále v dohľade. Ak odložte pílu na akúkoľvek dobu, vždy vypnite motor.



VAROVANIE! Nikedy sa úlomky zachytia v kryte spojky a spôsobia zaseknutie reťaze. Pred čistením stroj vždy vypnite.

Základné pravidlá

- 1 Ak porozumiete čo je spätný náraz a ako vzniká, budete môcť redukovať alebo eliminovať moment prekvapenia. Tým, že budete pripravení, zmeníte riziko. Spätný náraz je obvyčajne mierny, ale môže byť niekedy aj náhly a silný.
- 2 Vždy držte reťazovú pílu silno pravou rukou za zadnú rukoväť a ľavou rukou za prednú rukoväť. Rukoväte obopnite palcom a prstami. Pílu by mali takto držať ľaváci aj praváci. Pomocou tohto pevného držania minimalizujete efekt spätného nárazu a udržíte pílu pod kontrolou. **Nepustite rukoväte!**
- 3 Väčšina nehôd zapríčinených spätným nárazom sa stane pri odvetvovaní. Stojte pevne a dávajte pozor, aby ste nestratili rovnováhu, alebo aby ste nemuseli náhle zmeniť polohu. Nedostatok koncentrácie môže zapríčiniť spätný náraz, ak sa zóna spätného nárazu vodiacej lišty náhodne dotkne konára, blízkeho stromu, alebo iného predmetu. Majte pod kontrolou opracovávaný kus. Ak sú kusy, ktoré sa chystáte opracovávať, malé a ľahké, môžu sa zaseknúť v pile a môžu odsakovať smerom na vás. Hoci to nemusí byť nebezpečné, môže vás to prekvapiť a píla sa vám môže vymknúť spod kontroly. Kmene alebo konáre najskôr oddelíte, až potom ich pílite. Píľte vždy len jeden kmeň alebo kus dreva. Odstráňte odrezky, aby bolo vaše pracovné prostredie bezpečné.
- 4 **Reťazová píla sa nesmie používať nad úrovňou ramien. Vyhýbajte sa rezaniu špičkou vodiacej lišty. Nikdy nepracujte len jednou rukou! (33)**
- 5 Vždy musíte mať pevnú pozíciu, aby ste mali plnú kontrolu nad pilou. Nikdy nepracujte stojac na rebríku, konári stromu alebo v pozícii, keď nemáte pevnú pôdu pod nohami. **(34)**
- 6 Vždy pílte na plný plyn.
- 7 Dávajte pozor, keď režete hornou hranou vodiacej lišty, t. z. keď pílite zospodu objektu. Toto sa nazýva rezanie odbiehajúcou reťazou. Reťaz tlačí pílu dozadu smerom k používateľovi. Ak sa reťaz zasekne, reťazová píla sa môže odraziť dozadu smerom k vám.
- 8 Ak užívateľ nemá dostatok sily, aby zastavil tento pohyb, vzniká riziko, že reťazová píla sa posunie tak ďaleko dozadu, že zóna spätného nárazu na vodiacej lište príde do styku so stromom a vyvolá spätný náraz. **(35)**

Pílenie dolnou stranou lišty, t.z. zhora nadol, sa nazýva rezanie nabiehajúcou reťazou. Pri takomto rezaní sa píla posúva smerom od užívateľa ku stromu a predný okraj tela píly sa oprie o kmeň. Pílenie nabiehajúcou reťazou poskytuje užívateľovi lepšiu kontrolu nad pilou a zónou spätného nárazu vodiacej lišty.

- 9 Dodržujte pokyny na ostrenie a údržbu vodiacej lišty a reťaze. Pri výmene vodiacej lišty a reťaze používajte len nami odporučené kombinácie. Prečítajte si inštrukcie v časti Rezacia časť a Technické údaje.

Základné techniky pílenia



VAROVANIE! Nikdy nepoužívate pílu len jednou rukou. Reťazovú pílu nemožno bezpečne ovládať, ak ju držíte iba jednou rukou. Rukoväte držte vždy pevne oboma rukami.

Všeobecné

- Vždy pílte na plný plyn!
- Po každom pílení nechajte motor bežať na voľnobeh (chod motora na plné otáčky dlhšiu dobu bez zaťaženia môže spôsobiť jeho vážne poškodenie).
- Pílenie zhora = Pílenie nabiehajúcou reťazou.
- Pílenie zdola = Pílenie odbiehajúcou reťazou.

Pílenie odbiehajúcou reťazou zvyšuje riziko spätného nárazu. Pozrite si inštrukcie v časti Ako sa vyhnúť spätnému nárazu.

Termíny

Pílenie = Všeobecné označenie pre rezanie dreva.

Odvetvovanie = Odstránenie konárov zo splieneného stromu.

Zlom = Ak sa rezaný strom zlomí pred dokončením rezu.

Pred každým rezom musíte mať na zreteli 5 dôležitých faktorov:

- 1 Nesmie dôjsť k zovretiu píly v reze.
- 2 Pílený objekt nesmie prasknúť.
- 3 Reťaz sa nesmie dotknúť zeme ani iného predmetu počas pílenia a po ňom.
- 4 Existuje riziko spätného nárazu?
- 5 Majú podmienky v teréne a okolí vplyv na to, ako bezpečne sa pohybujete alebo stojíte?

Dva faktory rozhodujú o tom, či bude píla zovretá a či pílený objekt praskne: prvý je ako bol objekt podopretý pred a po pílení a druhý, či je v objekte prnutie.

Vo väčšine prípadov sa dá týmto faktorom vyhnúť a to tak, že použijete dva pracovné postupy, najskôr rezom zhora a potom z dola. Musíte podoprieť objekt tak, aby nezovrel reťaz, alebo aby nepraskol.

DÔLEŽITÉ! Ak dôjde k zovretiu píly: zastavte motor! Nepokúšajte sa pílu silou vytrhnúť. Mohli by ste sa o ňu zraniť, ak by sa náhle uvoľnila. Použite pretlačiaciu lopatku na otvorenie rezu a uvoľnenie píly.

Nasledujúce inštrukcie popisujú ako zvládnuť najbežnejšie situácie, do ktorých sa môžete dostať.

Odvetvovanie

Pri odvetvovaní hrubých konárov postupujte ako pri pílení kmeňov.

Ťažké konáre pílte kus po kuse.

Pílenie



VAROVANIE! Nikdy sa nepokúšajte píliť kmeň uložený na kope alebo kmeň ležiaci blízko seba. Takýto postup výrazne zvyšuje riziko spätného nárazu, ktorý môže spôsobiť vážne alebo smrteľné poranenie.

Ak sa chystáte píliť hromadu kmeňov, každý kmeň musíte vybrať z kopy, položiť na kozu na rezanie dreva alebo na rozperu a píliť samostatne.

Odstráňte odrezky z pracovného prostredia. Ak ich neodstránite, zvyšuje sa riziko spätného nárazu, ak urobíte chybu, a riziko straty rovnováhy pri práci.

Kmeň leží na zemi. Nehrozí nebezpečie, že sa píla zovrie, ani že kmeň praskne. Ale je riziko, že píla sa po prerezaní dotkne zeme.

Režte celý kmeň zhora. Zabráňte, aby sa reťaz po prerezaní dotkla zeme. Pracujte na plný plyn, ale opatrne. **(36)**

Ak je možné kmeň obrátiť, prerežte ho do 2/3.

Otočte kmeň a režte z opačnej strany.

Kmeň je na jednej strane podopretý. Je veľmi pravdepodobné, že praskne.

Začnite rezať zdola asi do 1/3.

Dokončite rez zhora až sa oba rezy stretnú.

Kmeň je podopretý na oboch stranách. Existuje riziko, že dôjde k zovretiu píly.

Začnite rezať zhora asi do 1/3.

Dokončite rez zdola, až sa oba rezy stretnú.

Technika spíľovania stromov

DÔLEŽITÉ! Pílenie stromov si vyžaduje veľa skúsenosti. Neskúsený užívateľ reťazovej píly by nemal spíľovať stromy. Nepokúšajte sa vykonávať činnosti, v ktorých nemáte istotu!

Bezpečná vzdialenosť

Bezpečná vzdialenosť medzi spíľovaným stromom a najbližším pracoviskom má byť aspoň 2 1/2 dĺžky stromu. Presvedčte sa, že pred, ani počas spíľovania nie je nikto v tejto oblasti. **(37)**

Smer pádu stromu po spílení

Cieľom je spíliť strom tak, aby po páde bolo možné strom odvetviť a rozrezať kmeň čo možno najľahšie. Nasmerujte ho tak, aby padol do terénu, v ktorom môžete bezpečne stáť a pohybovať sa.

Potom, čo sa rozhodnete pre smer pádu stromu, musíte odhadnúť prirodzený smer pádu.

Pritom treba brať do úvahy nasledujúce faktory:

- Sklon stromu
- Zakrivenie stromu
- Smer vetra
- Usporiadanie konárov

- Váha snehu
- Prekážky v blízkosti stromu, napríklad ďalšie stromy, elektrické vedenie, cesty a budovy.
- Zistite, či je kmeň poškodený alebo spráchnivený, zvyšuje to totiž pravdepodobnosť, že sa strom zlomí a začne padať skôr, ako by ste očakávali.

Možno bude nutné nechať strom padnúť v prirodzenom smere, pretože je nemožné alebo príliš nebezpečné pokúšať sa nechať ho padnúť v smere, aký si prajete.

Iný dôležitý faktor, ktorý neovplyvňuje smer pádu ale však bezpečnosť, je preskúmanie stromu či nemá poškodené alebo suché konáre, ktoré by sa mohli odlomiť a zraniť vás.

Je neprípusté, aby sa padajúci stroj zachytil na iný strom. Uvoľnenie uviaznutého stromu je veľmi nebezpečné a predstavuje vysoké riziko úrazu. Pozrite si pokyny v časti Uvoľnenie zle spadnutého stromu.

DÔLEŽITÉ! Pri nebezpečných pracovných činnostiach by ste mali zložiť chrániče sluchu ihneď po skončení pílenia, aby ste počuli varovné signály a zvuky.

Čistenie kmeňa a príprava ústupovej cesty

Odstráňte zo stromu vetvy do výšky ramien. Bezpečnejšie je píliť smerom zhora nadol, pričom strom je medzi vami a pilou.

Okolo celého stromu odstráňte porast a dávajte pozor na možné prekážky (kamene, konáre, diery atď.) tak, aby ste mali voľnú ústupovú cestu, keď začne strom padať.

Ústupová cesta by mala byť asi v 135 stupňovom uhle k plánovanému smeru pádu stromu. **(38)**

- 1 Zóna rizika
- 2 Cesta ústupu
- 3 Smer pádu stromu po spílení

Pílenie



VAROVANIE! Neskúsených ťažbárov odrádzame od pílenia stromov, ktorých priemer je väčší ako dĺžka vodiacej lišty!

Pílenie sa robí tromi rezní. Najprv sa vytvorí klin, ktorý má jeden rez zhora a jeden zospodu, potom dokončíte pílenie hlavným rezom. Ak správne urobíte tieto rezy, dá sa určiť celkom presne smer pádu stromu.

Klinový rez

Ak budete robiť klinový rez, začnite vždy horným rezom. Stojte vpravo od kmeňa a píľte nabiehajúcou reťazou.

Potom urobte spodný rez tak, aby sa presne spojil s horným rezom. **(39)**

Klin má zasahovať asi do 1/4 priemeru kmeňa a má zvierat' uhol 45°.

Priesečník oboch rezov sa nazýva hrana zárezu. Táto hrana rezu má prebiehať presne vodorovne a zároveň tvorí pravý uhol (90°) k smeru pádu stromu. **(40)**

Hlavný rez

Hlavný rez je vedený z opačnej strany stromu a musí prebiehať úplne vodorovne. Postavte sa vľavo od stromu a píľte nabiehajúcou reťazou.

Hlavný rez umiestnite asi 3–5 cm (1.5–2 palcov) nad spodnou časť klinového rezu.

Opierka rezania (ak je na pile) musí byť za závesom (nedorezom). Režte na plný plyn a tlačte vodiacu lištu/reťaz pomaly do kmeňa stromu. Dávajte pozor, aby sa strom nezačal pohybovať opačným smerom, ako v predpokladanom smere pádu. Umiestnite do rezu klin alebo páčidlo ihneď, ako je to možné. **(41)**

Skončíte hlavný rez vedený súběžne s klinovým rezom tak, aby medzi nimi ostala vzdialenosť minimálne 1/10 priemeru kmeňa. Neprerezaná časť kmeňa medzi hlavným rezom a klinom sa nazýva nedorez.

Nedorez určuje smer pádu stromu. **(42)**

Kontrolu nad smerom pádu stromu stratíte, ak je nedorez príliš úzky alebo ak neexistuje, alebo ak sú hlavný rez a klinový rez zle umiestnené.

Ak sú klinový rez a hlavný rez dokončené, strom spadne sám, alebo pomocou klina, alebo páčidla.

Odporúčame použiť vodiacu lištu, ktorá je dlhšia ako priemer kmeňa, takže je možné urobiť klinový rez a hlavný rez takzvaným "jednoduchým rezom". Pozrite si pokyny v časti Technické údaje týkajúce sa odporúčanej dĺžky vodiacej lišty pre váš model reťazovej pily.

Sú spôsoby, ako rezať stromy, ktorých priemer je väčší ako dĺžka vodiacej lišty pily. Pri použití týchto metód vzniká riziko, že sa zóna spätného nárazu vodiacej lišty dotkne stromu a vyvolá spätný náraz.

Uvoľnenie zle spadnutého stromu

Uvoľnenie zakliesneného stromu

Uvoľnenie uviaznutého stromu je veľmi nebezpečné a predstavuje vysoké riziko úrazu.

Nikdy sa nepokúšajte spiliť strom, ak je na ňom spadnutý iný strom.

Nikdy nepracujte v rizikovej zóne, napr. v prípade visiaceho, zakliesneného stromu.

Najbezpečnejšia metóda je použitie navijáka.

- Pripevnený na traktor
- Prenosný

Rezanie stromov a konárov, v ktorých je pnutie

Prípravy: Zistite, ktorá strana je tlačaná a kde je bod najväčšieho pnutia (to znamená, kde by sa strom alebo konár prelomili, keby sa ohli ešte viac).

Premyslite si najbezpečnejší spôsob uvoľnenia pnutia a zvažte, či to dokážete bezpečne urobiť. V komplikovaných prípadoch je jedinou bezpečnou metódou odložiť reťazovú pilu a použiť navijak.

Všeobecne platná rada:

Postavte sa tak, aby ste nestáli v ceste stromu alebo konáru, keď sa pnutie uvoľní.

Urobte jeden alebo viac rezov na alebo blízko bodu maximálneho pnutia. Urobte toľko rezov v dostatočnej hĺbke, koľko bude potrebných na zmenšenie pnutia a režte tak, aby sa strom alebo konár zlomil v bode maximálneho pnutia.

Nikdy nerežte priamo cez strom alebo konár, ktoré sú pod pnutím.

Ak musíte prepiliť strom/konár, urobte dva alebo tri zárezy vo vzdialenosti 3 cm a 3–5 cm hlboko.

Píľte dovtedy, kým sa strom/konár neohne a kým sa neuvoľní napätie.

Keď sa už napätie uvoľnilo, prepíšte strom/konár z druhej strany.

Ako sa vyhnúť spätnému nárazu



VAROVANIE! Náhle môže dôjsť k veľmi silnému spätnému nárazu, pri ktorom je píla a vodiaca lišta odrazená späť na používateľa. Ak sa toto stane keď je reťaz v pohybe, môže to spôsobiť vážne poranenie, dokonca smrteľné. Ja nanajvýš dôležité, aby ste porozumeli tomu, čo spôsobuje spätný náraz a aby ste sa mu mohli vyhýbať a používať správnu pracovnú techniku.

Čo je to spätný náraz?

Termín spätný náraz sa používa na popisanie náhlej reakcie, ktorá spôsobuje odhodenie reťazovej píly a vodiacej lišty od predmetu, keď sa horný segment čela vodiacej lišty, známy ako oblasť spätného nárazu, dotkne predmetu. (43)

Spätný náraz vždy vzniká v reznej časti vodiacej lišty. Obyčajne je reťazová píla a vodiaca lišta odrazená dozadu a nahor smerom k užívateľovi. Môže sa však stať, že po spätnom náraze sa píla bude pohybovať iným smerom v závislosti od spôsobu jej použitia.

Spätný náraz vznikne len vtedy, ak sa zóna spätného nárazu vodiacej lišty dotkne objektu. (44)

Odvetvovanie



VAROVANIE! Väčšina nehôd zapríčinených spätným nárazom sa stane pri odvetvovaní. Nepoužívajte zónu spätného nárazu vodiacej lišty. Buďte zvlášť opatrní a vyhnite sa kontaktu čela vodiacej lišty s kmeňom, ďalšími konármi alebo predmetmi. Buďte zvlášť opatrní pri práci s konármi, ktoré sú napnuté. Môžu sa vymrštiť smerom k vám a spôsobiť stratu kontroly a následné poranenie.

Postarajte sa o to, aby ste mohli stáť a pohybovať sa bezpečne. Pracujte na ľavej strane kmeňa. Pracujte pilou čo najbližšie pri tele, budete mať lepšiu kontrolu nad pilou. Ak je to možné, nechajte pílu rezať len vlastnou váhou.

Kmeň musí byť vždy medzi vami a pilou.

Rozrezávanie kmeňov na kusy

Pozrite si časť Základné techniky pilenia.

Všeobecné

Používateľ môže vykonávať iba údržbu a servis popísané v návode na obsluhu. Náročnejšie práce sa musia vykonávať v autorizovanej servisnej dielni.

Nastavenie karburátora

Tento výrobok značky Jonsered bol navrhnutý a vyrobený podľa špecifikácií, ktoré znižujú vypúšťanie škodlivých plynov.

Funkcia

- Karburátor reguluje otáčky motora pomocou plynovej páčky. Vzduch a palivo sa zmiešajú v karburátore. Zmes vzduchu a paliva je nastaviteľná. Správne nastavenie zmesi je podstatné pre dosiahnutie najlepšieho výkonu píly.
- T-skrutka reguluje polohu klapky plynu pri chode motora na voľnobeh. Otočenie skrutky v smere hodinových ručičiek zvyšuje otáčky voľnobehu, zatiaľ čo otočenie proti smeru hodinových ručičiek otáčky voľnobehu znižuje.

Základné nastavenia a zábeh

Základné nastavenia karburátora sa upravujú počas testovania v továrni. Jemné nastavenie by mal vykonať skúsený technik.

Odporúčané otáčky pri voľnobehu: Pozrite si časť Technické údaje.

Jemné vyregulovanie voľnobehu T

Nastavte voľnobeh so skrutkou T. Ak je nutné opätovné nastavenie, točte skrutkou T v smere hodinových ručičiek za chodu motora, kým sa nezačne točiť reťaz. Potom točte proti smeru ručičiek, kým reťaz nezastane. Keď je voľnobeh správne nastavený, motor beží hladko v každej polohe a otáčky motora by mali byť dostatočne nižšie ako otáčky, pri ktorých začína rotovať reťaz.



VAROVANIE! Spojte sa so servisným technikom, v prípade ak sa nastavenie voľnobehu nedá nastaviť tak, že reťaz stojí. Nepoužívajte reťazovú pílu, ak nebola správne nastavená alebo opravená.

Kontrola, údržba a servis bezpečnostného vybavenia reťazovej píly

Poznámka! Všetky servisné a opravné práce na stroji si vyžadujú špeciálne školenie. Toto zvlášť platí o bezpečnostnom vybavení stroja. Ak stroj neprejde niektorou z kontrol popísaných nižšie, odporúčame, aby ste ho doniesli do servisnej dielni. Akákoľvek údržba, ktorá nie je uvedená a popísaná v tomto návode, sa musí robiť v servise alebo u predajcu (dodávateľa).

Vypnite motor a vyberte kábel zapalovania pred vykonaním opráv a údržby

Brzda reťaze a predný chránič ruky

Kontrola opotrebovania brzdového pásu

Vyčistite kefou brzdú reťaze a bubon spojky tak, aby na nich neboli zbytky dreva, hrdza a špina. Špina a opotrebenie môžu zhoršiť funkčnosť brzdy. (45)

Kontrolujte pravidelne, či má brzdový pás hrúbku aspoň 0,6 mm na svojom najtenšom mieste.

Kontrola predného chrániča ruky

Presvedčte sa, že predný chránič ruky nie je poškodený a že nie sú na ňom žiadne viditeľné poškodenia, napr. praskliny.

Posúvajte predný chránič dopredu a dozadu, aby ste sa presvedčili, že sa pohybuje voľne a že je bezpečne upevnený na kryte spojky. **(46)**

Kontrola aktivácie brzdy zotrvačnou silou

Umiestnite reťazový pilu s vypnutým motorom na peň alebo iný stabilný povrch. Pustite prednú rukoväť a nechajte pilu spadnúť otáčajúc sa okolo zadnej rukoväte smerom k pňu.

Keď lišta narazí na peň, mala by sa aktivovať brzda. (47)

Kontrola aktivácie brzdy

Položte pilu na pevnú zem a naštartujte ju. Presvedčte sa, že sa reťaz nedotýka zeme alebo iného predmetu. Prečítajte si inštrukcie v časti Štartovanie a zastavenie.

Pevne uchopte reťazový pilu.

Pridajte plný plyn a aktivujte brzdu reťaze tým, že skloníte ľavé zápästie dopredu na predný chránič. Nepustite prednú rukoväť. **Reťaz by sa mala ihneď zastaviť.**

Poistná páčka plynu

- Presvedčte sa, či je ovládanie plynu zablokované pri nastavení na voľnobeh, keď je poistná páčka plynu uvoľnená.
- Stlačte páčku plynu a presvedčte sa, či sa vracia do svojej pôvodnej polohy, keď ju uvoľníte.
- Skontrolujte, či sa páčka plynu a poistná páčka plynu voľne pohybujú a či vratné pružiny náležite fungujú.
- Naštartujte pilu na plný plyn. Pustite ovládač plynu a skontrolujte, či sa reťaz zastaví a zostane stát. Ak sa reťaz otáča, aj keď regulátor plynu je na voľnobehu, mali by ste skontrolovať nastavenie voľnobehu na karburátore.

Zachytávač reťaze

Skontrolujte, či nie je poškodený zachytávač reťaze a či je pevne upevnený na reťazovej pile.

Ochranný kryt pravej ruky

Skontrolujte ochranný kryt pravej ruky, presvedčte sa, že nie sú na ňom žiadne viditeľné poškodenia, npr. praskliny.

System na tlmenie vibrácií

Pravidelne kontrolujte tlmiče vibrácií, či nie sú prasknuté alebo deformované.

Presvedčte sa, či sú tlmiace jednotky pevne uchytené k motorovej jednotke a jednotke rukoväť.

Vypínač

Naštartujte motor a presvedčte sa, či sa motor zastaví, keď pohnete vypínačom do polohy stop.

Tlmič výfuku

Nikdy nepoužívajte stroj, ktorý má chybný tlmič výfuku!

Pravidelne kontrolujte, či je tlmič výfuku pevne pripevnený k motoru.

Poznámka: Obrazovku obmedzovača iskry (A) na tomto stroji je možné servisovať. **(48)** Ak je sieťka poškodená, treba ju vymeniť. Ak je sieťka zanesená, píla sa bude prehrievať a môže dôjsť k poškodeniu valca alebo piesta. Nikdy nepoužívajte pilu so zlým tlmičom výfuku. **Nepoužívajte nikdy tlmič výfuku, ak je zachytávač iskier poškodený, alebo ak chýba.**

Pre obvyčajné domáce použitie nebude tlmič a obrazovka obmedzenia iskry vyžadovať výmenu.

Vzduchový filter

Vzduchový filter treba pravidelne čistiť, aby sa odstránili prach a špina a vyšlo sa tak:

- Poruche karburátora
- Problémom so štartovaním
- Zhoršenému výkonu
- Zbytočnému opotrebovaniu častí motora.
- Nadmerne vysokej spotrebe paliva.
- Odstráňte uzáver vzduchového filtra (3) po stiahnutí krytu valca, skrutky (1) a krytu filtra (2). Pri nasadzovaní filtra naspäť dávajte pozor, aby tesne priliehal na držiak filtra. Filter vyprášte, alebo vykefujte. **(49)**

Dôkladnejšie vyčistíte filter umytím vo vode, alebo vodou s pracím prostriedkom.

Vzduchový filter, ktorý sa používa nejakú dobu, nemožno celkom očistiť. Preto sa musí v pravidelných intervaloch nahrádzať novým. **Poškodený filter sa musí vždy vymeniť.**

Zapaľovacia sviečka

Stav zapaľovacej sviečky je ovplyvnený:

- Nesprávnym nastavením karburátora.
- Nesprávnou zmesou paliva (príliš veľa alebo nesprávny druh oleja).
- Znečisteným filtrom.

Tieto činitele spôsobujú povlaky na elektródach zapaľovacej sviečky, ktoré môžu mať za následok prevádzkové problémy a štartovacie ťažkosti.

Ak má stroj nízky výkon, problémy pri naštartovaní alebo prajuce nedostatočne: pred podniknutím ďalších krokov vždy skontrolujte zapaľovaciu sviečku. Ak je zapaľovacia sviečka špinavá, očistite ju a skontrolujte, či medzera medzi elektródami je 0,5 mm. Zapaľovacia sviečka by sa mala vymeniť po približne mesačnej prevádzke, alebo ak treba aj skôr. **(50)**

Poznámka! Vždy používajte odporúčaný typ zapaľovacej sviečky! Nesprávna zapaľovacia sviečka môže vážne poškodiť piest/valec. Skontrolujte, či je zapaľovacia sviečka správne nasadená.

Plán údržby

Nasleduje zoznam postupov údržby, ktoré musíte vykonať. Väčšina z nich je opísaná v časti Údržba.

Denná údržba (Každých 5–10 h)	Týždenná údržba (Každých 10–25 h)	Mesačná údržba (Každých 25–40 h)
Vyčistite vonkajšok stroja.	Skontrolujte štartér, štartovaciu šnúru a pružinu navíjania.	Skontrolujte, či nie je opotrebovaný brzdový pás na brzde reťaze. Vymeňte ho, ak je na najviac opotrebovanom mieste tenší ako 0,6 mm.
Skontrolujte, či časti ovládania plynu pracujú bezpečne. (Uzáver a regulácia ovládania plynu.)	Skontrolujte, či nie sú poškodené časti na tlmenie vibrácií.	Skontrolujte, či nie sú opotrebované spojka, bubon spojky a pružina spojky.
Vyčistite brzdzu reťaze a skontrolujte, či pracuje bezpečne. Skontrolujte, či zachytávač reťaze nie je poškodený, ak je to nutné, vymeňte ho.	Obrúste všetky výčnelky na okrajoch vodiacej lišty.	Očistite zapaľovaciu sviečku. Skontrolujte, či je medzera medzi elektródami 0,5 mm.
Vodiacu lištu treba denne otáčať, aby sa rovnomernejšie opotrebovávala. Skontrolujte, či otvor na mazanie na vodiacej lište nie je upchatý. Vyčistite drážku vodiacej lišty. Ak má vodiaca lišta ozubené koliesko, treba ho namazať.	Vyčistite priestor karburátora.	Vyčistite vonkajšok karburátora.
Skontrolujte, či lišta a reťaz dostávajú dostatočné množstvo oleja.	Vyčistite vzduchový filter. Vymeňte ho, ak je to potrebné.	Skontrolujte palivový filter a hadičku paliva. V prípade potreby vymeňte.
Skontrolujte, či nie sú na reťazovej pile viditeľné praskliny v nitoch a článkoch, či je reťaz pevná alebo či nie sú nity a články nadmerne opotrebované. Vymeňte ich, ak je to potrebné.		Vyprázdnite nádrž na palivo a zvnútra ju vyčistite.
Naostríte reťaz, skontrolujte jej napnutie a stav. Skontrolujte hnacie reťazové koliesko, či nie je nadmerne opotrebované a vymeňte ho, ak je to nutné.		Vyprázdnite nádrž na olej a zvnútra ju vyčistite.
Vyčistite nasávanie vzduchu na jednotke štartéra.		Skontrolujte všetky káble a pripojenia.
Skontrolujte, či sú matice a skrutky dotiahnuté.		
Skontrolujte, či vypínač funguje správne.		
Skontrolujte, či z motora, nádrže na palivo alebo palivových vedení nepresakuje palivo.		

Technické údaje

	CS 2234	CS 2238
Motor		
Objem valca, cm ³	38	38
Zdvih, mm	32	32
Otáčky pri voľnobehu, ot./min.	3000	3000
Výkon, kW	1,4/9000	1,5/9000
Zapaľovací systém		
Zapaľovacia sviečka	Champion RCJ 7Y	Champion RCJ 7Y
Medzera medzi elektródami, mm	0,5	0,5
Palivový a mazací systém		
Kapacita palivovej nádrže, litre		
Kapacita olejovej pumpy pri 8 500 otáčkach/min, ml/min	7	7
Kapacita olejovej nádrže, litre	0,19	0,19
Typ olejovej pumpy	Automatika	Automatika
Hmotnosť		
Reťazová píla bez vodiacej lišty alebo reťaze, prázdne nádrže, kg	4,7	4,7
Emisie hluku (pozri poznámku 1)		
Hladina akustického výkonu, mieraná v dB(A)	115	115
Hladina akustického výkonu, garantovaná L _{WA} dB(A)	118	118
Hladiny hluku (viď poznámka 2)		
Ekvivalentná hladina akustického tlaku pri uchu operátora, dB(A)	100,6	100,6
Ekvivalentné hladiny vibrácií, a_{hveq} (pozri poznámku 3)		
Predná rukoväť, m/s ²	3,7	3,7
Zadná rukoväť, m/s ²	5,1	5,1
Reťaz/vodiaca lišta		
Štandardná dĺžka vodiacej lišty, inch/cm	14/35, 16/40	14/35, 16/40
Odporúčaná dĺžka vodiacej lišty, inch/cm	14/35, 16/40	14/35, 16/40
Použiteľná rezná dĺžka, inch/cm	13,5/34, 15,5/39	13,5/34, 15,5/39
Delenie, inch/mm	3/8 / 9,52	3/8 / 9,52
Hrúbka hnacích článkov, inch/mm	0,050/1,3	0,050/1,3
Typ hnacieho ozubeného kolieska/počet zubov		
Rýchlosť reťaze pri maximálnom výkone, m/sec	17,1	17,1

Poznámka 1: Emisie hluku do okolia sa merajú ako akustický výkon (L_{WA}) v súlade so smernicou EÚ 2000/14/ES.



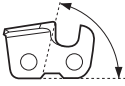
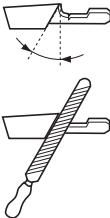

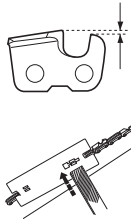
Poznámka 2: Podľa normy ISO 22868 sa ekvivalentná hladina akustického tlaku vypočíta ako časovo vážená celková energia pre jednotlivé hladiny akustického tlaku za rôznych pracovných podmienok. Typický štatistický rozptyl hladina akustického tlaku je štandardná odchýlka 1 dB (A).

Poznámka 3: Podľa normy ISO 22867 sa ekvivalentná hladina vibrácií vypočíta ako časovo vážená celková energia pre jednotlivé hladiny vibrácií za rôznych pracovných podmienok. Uvádzané údaje pre ekvivalentnú hladinu vibrácií majú typický štatistický rozptyl (štandardnú odchýlku) 1 m/s².

Kombinovanie vodiacej lišty a reťaze

Pre modely Jonsered CS 2234 a CS 2238 sú schválené nasledujúce rezacie nástroje.

Vodiaca lišta				Reťaz	
Dĺžka, inches	Delenie, inch	Šírka drážky, mm	Max. počet zubov na ozubenom koliesku vodiacej lišty	Typ	Dĺžka, hnacie články (č.)
14	3/8	1,3	7T	Jonsered H37	52
16	3/8		7T		56
18	3/8		7T		62

					
H37	5/32/4,0	80°	30°	0°	0.025/0,65

EÚ vyhlásenie o zhode

(Uplatňuje sa iba na Európu)

Husqvarna, SE-561 82 Huskvarna, Sweden, tel: +46-36-146500, vyhlasuje s plnou zodpovednosťou, že reťazové píly **Jonsered CS 2234 a CS 2238** od sériových čísel z roku 2009 a vyššie (rok je vyznačený na typovom štítku spolu so sériovým číslom), sú v zhode s požiadavkami COUNCIL'S DIRECTIVES:

- zo 17. mája 2006, „Smernica o strojoch“ **2006/42/ES**.
- Z 15. decembra 2004 „ohľadom elektromagnetickej kompatibility“ **2004/108/EEC**.
- z 8. 5. 2000 „ohľadom emisií hluku do okolia“ **2000/14/EG**.

Informácie o emisiách hluku nájdete v kapitole Technické údaje. Boli uplatnené nasledovné normy: **EN ISO 12100-2:2003, CISPR 12:2001, EN ISO 11681-1:2004**

Skúšobný úrad: **0404, SMP Svensk Maskinprovning AB**, Fyrisborgsgatan 3, SE-754 50 Uppsala, Sweden, vykonal typovú skúšku EC v súlade so smernicou strojárskeho (2006/42/EC) článok 12, bod 3b. Osvedčenie o skúške typu EC majú podľa dodatku IX číslo: **0404/09/2048**.

Navyše, SMP, Svensk Maskinprovning AB, Fyrisborgsgatan 3, SE-754 50 Uppsala, Sweden, osvedčil zhodu s dodatkom V Council's Directive z 8.5.2000 "týkajúceho sa vplyvu hluku na životné prostredie" 2000/14/EC. Certifikáty majú čísla: **26/161/003** - CS 2234, **26/161/004** - CS 2238.

Dodávaná reťazová píla zodpovedá vzoru, ktorý prešiel EC typovou skúškou.

Huskvarna 29.januára 2009.



Ronnie E. Goldman, Technický riaditeľ. (Oprávnený zástupca spoločnosti Husqvarna AB a zodpovedný za technickú dokumentáciu.).

Spoštovani kupec!

Čestitamo Vam, ker ste izbrali Jonsered–izdelek!

Prepričani smo, da boste z zadovoljstvom cenili kakovost in učinkovitost našega izdelka mnogo prihodnjih let. Nakup enega od naših izdelkov vam daje dostop do profesionalne pomoči kar se tiče popravil in servisa, če bi se vseeno kaj pripetilo. Če prodajalna, kjer ste stroj kupili, ni ena od naših pooblaščenih prodajaln, vprašajte, kje je najbližja pooblaščenca delavnica.

Upamo, da boste zadovoljni z Vašim strojem in da bo stroj Vaš spremljevalec mnogo prihodnjih let. Pomnite, da so ta navodila za uporabo vrednostni papir. Če boste sledili vsebini navodil (uporaba, servis, vzdrževanje itd.), boste pomembno podaljšali življenjsko dobo stroja, kakor tudi ceno rabljenega stroja. Če boste stroj prodali, poskrbite, da bo novi lastnik dobil pripadajoča navodila za uporabo.

Želimo srečno in uspešno uporabo Vašega Jonsered–izdelka!

Jonsered nenehno razvija in izpopolnjuje svoje izdelke in si zato pridržuje pravico sprememb v, na primer, obliki in izgledu brez predhodnega opozorila.

Simboli na stroju:

OPOZORILO! Motorna žaga je lahko nevarna! Površna ali napačna uporaba lahko povzroči resne telesne poškodbe in celo smrt uporabnika ali navzočih oseb.

Natančno preberite navodila za uporabo in se prepričajte, da ste jih razumeli, predno začnete z uporabo stroja.

Pri delu vedno uporabljajte:

- Atestirano zaščitno čelado
- Atestirane zaščitne slušalke
- Zaščitna očala ali vezir

Izdelek je v skladu z veljavnimi CE predpisi.

Emisija hrupa v okolico v skladu z direktivo Evropske skupnosti. Emisija stroja je podana v poglavju Tehnični podatki in na nalepki.

Med delovanjem motorne žage mora uporabnik držati žago z obema rokama.

Žage med obratovanjem nikoli ne držite samo z eno roko.

Preprečite dotik konice meča s katerim koli predmetom.

OPOZORILO! Do odsunka lahko pride, ko vrh meča pride v stik s predmetom. Pride do reakcije, ki sune meč naprej in nazaj proti uporabniku. Posledica tega je lahko resna osebna poškodba.

Zavora verige, aktivirana (leva)
Zavora verige, neaktivirana
(desna)



Ostali simboli in oznake na stroju se nanašajo na specifične zahteve za certifikacijo, ki veljajo na nekaterih tržiščih.

Kaj je kaj na motorni žagi? (1)

- 1 Informacije in varnostna opozorila
- 2 Ohišje cilindra
- 3 Črpalka za gorivo
- 4 Startna ročica
- 5 Uravnavanje čoka/Zapora plina
- 6 Izklopno stikalo. (Stikalo za vklop/izklop vžiga.)
- 7 Zadnji ročaj
- 8 Posoda za gorivo
- 9 Vijaki za nastavitvev, uplinjač
- 10 Zaganjalnik
- 11 Posoda za olje verige
- 12 Ploščica s serijsko številko izdelka
- 13 Zapora plina. (Prepreči nenamerno zvišanje plina.)
- 14 Sprednji ročaj
- 15 Ščitnik odsunka
- 16 Dušilec
- 17 Meč
- 18 Sprednji zobnik
- 19 Veriga
- 20 Opora
- 21 Lovilec verige
- 22 Vijak za napenjanje verige
- 23 Ohišje sklopke
- 24 Zadnja ročica z varovalom za desno roko
- 25 Uravnavanje plina
- 26 Navodila za uporabo
- 27 Kombinirani ključ
- 28 Ščitnik meča

Vsebina

UVOD

Spoštovani kupec!	225
Simboli na stroju:	225
Kaj je kaj na motorni žagi?	226

VSEBINA

Vsebina	226
---------------	-----

SPLOŠNA NAVODILA ZA VAMOST

Postopek pred prvo uporabo nove motorne žage	227
Pomembno	227
Zmeraj uporabljajte zdrav razum	227
Osebna zaščitna oprema	228
Varnostna oprema stroja	228
Rezila	229

MONTAŽA

Montaža meča in verige	232
------------------------------	-----

RAVNANJE Z GORIVOM

Pogonsko gorivo	233
Točenje goriva	233
Varna uporaba goriva	233

VŽIG IN IZKLOP

Vžig in izklop	234
----------------------	-----

DELOVNA TEHNIKA

Pred vsako uporabo:	235
Splošna navodila za delo	235
Preprečevanje odsunka	238

VZDRŽEVANJE

Splošno	238
Nastavitev uplinjača	238
Kontrola, vzdrževanje in servis varnostne opreme motorne žage	238
Dušilec	239
Zračni filter	239
Svečka	239
Urn timer vzdrževanja	240

TEHNIČNI PODATKI

Tehnični podatki	241
Kombinacije meča in verige	242
EU-zagotovilo o ujemanju	242

Postopek pred prvo uporabo nove motorne žage

- Natančno preberite navodila.
- (1) – (50) glejte skice na strani 2–5.
- Preglejte, kako so rezila montirana in nastavljena. Glejte navodila v poglavju Montaža.
- Napolnite in zaženite verižno žago. Glej navodila pod naslovom Rokovanje z gorivom ter Zagon in zaustavitvev.
- Žage ne uporabljajte, dokler veriga ni dovolj naoljena. Glejte navodila v poglavju Mazanje rezilnega pribora.
- Dolgotrajna izpostavljenost hrupu lahko povzroči trajne okvare sluha. Zato vedno nosite odobreno zaščitno opremo za ušesa.



OPOZORILO! Brez predhodnega dovoljenja proizvajalca ne smete nikoli spreminjati prvotne izvedbe stroja. Vedno uporabljajte izključno originalne dele. Spremembe brez pooblastila in/ali neoriginalni deli lahko povzročijo resne poškodbe ali smrt uporabnika in drugih.



OPOZORILO! Motorna žaga je ob napačni in malomarni uporabi nevarno orodje, ki povzroča resne ali celo smrtno nevarne poškodbe. Zato je zelo pomembno, da natančno preberete vsa navodila za uporabo in se poglobite v njih.



OPOZORILO! Notranjost dušilca vsebuje snovi, ki so lahko rakotvorne. Če je dušilec poškodovan, se izogibajte stiku z njegovimi deli.



OPOZORILO! Vdihovanje izpušnih plinov motorja, meglice olja za verigo in prahu žagovine v daljšem časovnem razdobju je lahko zdravju nevarno.



OPOZORILO! Stroj med delovanjem proizvaja elektromagnetno polje. To polje lahko v nekaterih pogojih interferira z aktivnimi ali pasivnimi medicinskimi vsadki. Da bi zmanjšali nevarnost resne ali smrtno poškodbe, priporočamo, da se osebe z medicinskimi vsadki pred uporabo stroja posvetujejo s svojim zdravnikom in s proizvajalcem vsadka.

Pomembno

POMEMBNO!

Naprava je narejena za žaganje lesa.

Uporabite lahko samo kombinacije meča/verige, ki jih priporočamo v razdelku Tehnični podatki.

Nikoli ne uporabljajte stroja, če ste utrujeni, pod vplivom alkohola ali jemljete druge droge ali zdravila, ki lahko vplivajo na vaš vid, presojo in koordinacijo.

Pri delu vedno uporabljajte osebno zaščitno opremo. Glejte navodila v poglavju Oseba zaščitna oprema.

Nikoli ne spreminjajte naprave tako, da ni v skladu z izvirno zgradbo in je ne uporabljajte, če mislite, da jo je spremenil nekdo drug.

Ne uporabljajte stroja, ki ne deluje pravilno. Sledite navodilom za pregled, vzdrževanje in servis v skladu z napotki v teh navodilih. Nekatere vrste vzdrževalnih del in popravil lahko opravi samo za to usposobljeno strokovno osebje. Glejte navodila v poglavju Vzdrževanje.

Uporabljajte izključno pribor, ki ga priporočamo. Glejte navodila v poglavjih Rezila in Tehnični podatki.

POZOR! Zmeraj uporabljajte zaščitna očala ali zaščito za obraz, da zmanjšate tveganje za poškodbe od letečih predmetov. Verižna žaga lahko z veliko hitrostjo izvrže predmete kot so lesni opiki, delčki lesa, itd. To lahko pomeni resne poškodbe, še posebej za oči.



OPOZORILO! Če je motor v pogonu v zaprtem ali slabo zrčenem prostoru, lahko le to povzroči smrt z zadušitvijo ali z zastrupitvijo z ogljikovim monoksidom.



OPOZORILO! Pokvarjena rezalna oprema ali nepravilna kombinacija meča in verige lahko poveča nevarnost odsunka! Sledite navodilom in uporabite le tiste kombinacije meča/verige, ki jih priporočamo. Glej navodila pod naslovom Vzdrževanje.

Zmeraj uporabljajte zdrav razum (2)

Ni možno opisati vseh situacij, ki se lahko zgodijo pri uporabi verižne žage. Zmeraj bodite pazljivi in uporabljajte zdrav razum. Izogibajte se situacijam za katere menite, da so izven vaših zmoglosti. Če ste po branju teh navodil še vedno negotovi o delovnih postopkih se pred nadaljevanjem posvetujte z izvedencem. V vsakem primeru kontaktirajte vašega prodajalca, če imate še kakršnakoli vprašanja glede uporabe žag. Z veseljem vam bomo pomagali in svetovali ter pomagali, da boste verižno žago uporabljali učinkovito in varno. Če je možno se udeležite usposabljanja za uporabo žage. Vaš prodajalec, lesna šola ali knjižnica vam lahko posredujejo informacije o usposabljanjih in literaturi, ki so na voljo. Nenehno delamo na izboljšavah zgradbe in tehnologije – izboljšave, ki povečajo vašo varnost in učinek. Redno obiskujte vašega prodajalca, da preverite kakšno korist lahko imate od novih prednosti, ki bile vpeljane.

Osebna zaščitna oprema



OPOZORILO! Večino nesreč z motornimi žagami povzroči veriga, ki udari uporabnika. Ob vsaki uporabi stroja uporabljajte vedno atestirano osebno zaščitno opremo. Osebna zaščitna oprema ne izključuje nevarnosti poškodb, vendar pa v primeru nesreče omili posledice. Pri izbiri zaščitne opreme se posvetujte z vašim trgovcem.

- Atestirano zaščitno čelado
- Zaščitne slušalke
- Zaščitna očala ali vezir
- Zaščitne rokavice za žaganje
- Zaščitne hlače
- Zaščitni škornji za žaganje z jeklenimi konicami in nedrsečimi podplati
- Pri delu imejte vedno pri sebi pribor za prvo pomoč.
- Gasilni aparat in lopata

Oblačila naj bodo oprijeta, vendar ne toliko, da vas bodo ovirala pri gibanju.

POMEMBNO! Iz dušilca, meča, verige ali drugega izvora lahko pride do iskrjenja. Opremo za gašenje imejte zmeraj pri roki v primeru, da bi jo potrebovali. Tako lahko preprečite gozdne požare.

Varnostna oprema stroja

V tem razdelku so razložene varnostne prednosti in funkcije naprave. V zvezi s pregledovanjem in vzdrževanjem, glejte navodila pod naslovom Pregledovanje, vzdrževanje in popraviljanje varnostne opreme žage. Glej navodila pod naslovom "Kaj je kaj?", da izveste kje se nahajajo komponente na napravi.

Opustitev pravnega vzdrževanja stroja in nestrokovno servisiranje/popravila lahko skrajšajo življenjsko dobo stroja in povečajo nevarnost nesreč. Dodatne informacije lahko dobite v najbližji servisni delavnici.



OPOZORILO! Nikoli ne uporabljajte naprave s pokvarjenimi varnostnimi komponentami. Varnostna oprema mora biti pregledana in vzdrževana. Glej navodila pod naslovom Pregledovanje, vzdrževanje in popraviljanje varnostne opreme žage. Če stroj ne preostane vseh testov ga odnesite na servis na popravilo.

Zavora verige s ščitnikom

Verižna žaga je opremljena z zavoro, ki je narejena tako, da v primeru odsunka zaustavi verigo. Zavora za žago zmanjša nevarnost nesreč, ampak nesreče lahko preprečite samo vi.

Pri delu z žago bodite previdni in poskrbite, da usmernik odbojnega dela meča ne pride v stik s kakšnim predmetom.

- Zavoro za žago (A) lahko aktivirate ročno (z levo roko) ali pa z vztrajnostnim sprostitilnim mehanizmom. **(3)**

- Zavoro aktiviramo s tem, da ščitnik odsunka (B) potisnemo naprej. **(3)**
- Ta premik sproži vzmetni mehanizem, ki napne zavorni trak (C) okoli motorjevega pogonskega sistema verige (D) (boben sklopke). **(4)**
- Ščitnik odsunka ne služi le za aktiviranje zavora verige. Njegova druga pomembna varnostna naloga je, da zmanjšuje nevarnost poškodb leve roke, če nehotе izpustite prednji ročaj.
- Zavora za žago mora biti pred zagonom naprave aktivirana, da se prepreči rotiranje.
- Zavoro za žago uporabljajte kot »parkirno zavoro«, ko začnete ali ko se premikate, da preprečite nesreče, ki bi se lahko zgodile, če bi se veriga po nesreči dotaknila nečesa ali nekoga v bližini.
- Zavoro verige sprostim tako, da ščitnik odsunka potegnemo nazaj proti sprednjemu ročaju.
- Odsunek meča je lahko bliskovito nenaden in izredno močan. V večini primerov je povratni udarec šibek in ne sproži zavora verige. V takšnih primerih je pomembno, da žago čvrsto držite in da je ne izpustite.
- Način, kako se bo zavora verige sprožila, ročno ali samodejno, je odvisen od sile odsunka in od položaja žage glede na predmet, ki se ga dotakne usmernik odboja meča.
Če pride do hudega odsunka medtem ko je območje odsunka meča najdalje od vas se bo aktivirala zavora žage s premikom protiteže (vztrajnostno aktiviranje) v smeri odsunka.
Če je odsunek šibkejši, ali če je odbojno območje meča blizu uporabnika, je potrebno zavoro verige sprožiti ročno z levo roko.
- V položaju podiranja se leva roka nahaja v položaju iz katerega je nemogoče ročno aktiviranje zavora. Pri tej držji, tj. ko se leva roka nahaja v položaju, ki ne vpliva na premikanje varovala za roko, se zavora za žago lahko aktivira samo z vztrajnostnim učinkom.

Ali bo moja roka v primeru odsunka zmeraj aktivirala zavoro za žago?

Ne. Potrebna je določena sila, da se varovalo za odsunek premakne naprej. Če se roka samo narahlo dotakne varovala za odsunek se lahko zgodi, da sila ni dovolj močna, da aktivira zavoro za žago. Pri delu morate močno držati ročaj verižne žage. Če v tem primeru pride do odsunka mogoče ne boste spustili roke iz sprednjega ročaja in ne boste aktivirali zavora za žago ali se pa zavora ne bo aktivirala, dokler se žaga ne obrne okoli. V takšni situaciji se lahko zgodi, da zavora ne uspe zaustaviti verige preden se ta dotakne vas.

V nekaterih delovnih položajih se lahko zgodi, da roka ne doseže varovala za odsunek, da bi aktivirala zavoro; na primer, ko žago držite v položaju podiranja.

Ali se bo zavora zmeraj vztrajnostno aktivirala, ko pride do odsunka?

Ne. Prvič, zavora mora delovati. Preizkušanje zavora je enostavno, glej navodila pod naslovom Pregledovanje, vzdrževanje in popraviljanje varnostne opreme žage. Priporočamo vam, da to zmeraj izvedete preden začnete delati. Drugič, odsunek mora biti dovolj močan, da aktivira

SPLOŠNA NAVODILA ZA VAMOST

zavoro za žago. Če bi zavora za žago bila preveč občutljiva bi se zmeraj aktivirala, kar pa bi bilo težavno.

Ali bo me zavora za žago v primeru odsunka zmeraj varovala pred poškodbami?

Ne. Zavora mora delovati, da bi lahko nudila zaščito. Drugič, mora biti aktivirana kot je opisano zgoraj, da zaustavi žago v primeru odsunka. Tretjič, zavora se lahko aktivira, ampak če je meč preblizu vas se lahko zgodi, da zavora ne uspe upočasniti in ustaviti verigo predse se le-ta dotakne vas.

Samo vi in pravilna delovna tehnika lahko izničite odsunek in njegove posledice.

Zapora plina

Varnostna zapora plinske ročice je zasnovana tako, da plinske ročice ni mogoče neprostovoljno aktivirati. Ko pritisnete zaporo (A) (ko držite ročaj), se sprostí plinska ročica (B). Ko sprostite ročico se plinska ročica in zapora za plinsko ročico pomakneta v svoj izvorni položaj. To pomeni, da je plinska ročica v prostem teku samodejno zaprta. **(5)**

Lovilec verige

Lovilec verige je zasnovan tako, da ujame verigo, če se veriga strga ali sname. Če je veriga pravilno napeta, se temu lahko izognemo (glejte navodila v poglavju Montaža). Temu se izognemo tudi, če verigo in meč pravilno vzdržujemo (glejte poglavje Splošna navodila za delo).

Ščitnik desne roke

Ščitnik desne roke varuje roko v primeru, če se veriga strga ali sname in ob enem zagotavlja, da vejevje ne ovira prijema zadnjega ročaja.

Sistem dušenja tresljev

Vaš stroj je opremljen s sistemom dušenja vibracij, ki je zasnovan tako, da tresljuje ublaži na najmanjšo možno stopnjo in vam s tem olajša delo.

Sistem za dušenje vibracij ublaži tresljuje, ki se z motorja in verige prenašajo na ročaja stroja. Telo žage, vključno z rezno opremo, je povezano z ročaji preko tako imenovanega elementa za dušenje vibracij.

Pri žaganju trdega lesa (večina listavcev) so tresljaji močnejši kot pri žaganju mehkega lesa (večina iglavcev). Uporaba tope ali neprimerne verige (nepravi tip ali nepravilno nabrušena veriga) tresljuje še okrepi.



OPOZORILO! Pri ljudeh, ki imajo težave s krvnim obtokom, lahko pretirana izpostavljenost tresljevem povzroči poškodbe ožilja ali živčevja. Če opazite znamenja pretirane izpostavljenosti tresljevem, se posvetujte z zdravnikom. Takšna znamenja so: odrevenelost udov, izguba občutka za dotik, »ščemenje«, »zbadanje«, bolečina, oslavelost ter spremembe v barvi ali na površini kože. Običajno se pojavijo v prstih, na rokah ali na zapestjih. Nevarnost sprememb je večja ob delu pri nizkih temperaturah.

Izklopno stikalo

Izklopno stikalo uporabljamo za izklop motorja.

Dušilec

Dušilec je narejen, da zmanjša hrup in usmeri izpušne pline vstran od uporabnika.



OPOZORILO! Izpušni plini so vroči in lahko vsebujejo iskre, ki lahko povzročijo požar. Zato stroja nikoli ne vžigajte v zaprtih prostorih ali v bližini vnetljivih snovi!

V deželah z vročim in suhim podnebjem je velika nevarnost gozdnih požarov. Nekatere zakonodaje in zahteve v teh deželah zahtevajo, da mora biti med drugim dušilec opremljen z "mrežico za lovljenje isker" (A). **(6)**



POZOR! Med uporabo postane dušilec zelo vroč. To velja tudi v primeru prostega teka. Bodite pozorni na nevarnost požarov, še posebej, ko delate v bližini vnetljivih substanc in/ali plinov.



OPOZORILO! Nikoli ne uporabljajte žage, če je dušilec poškodovan ali ga pa ni. Pokvarjen dušilec poveča glasnost in nevarnost požara. Opremo za gašenje imejte pri roki. Nikoli ne uporabljajte žage brez ali s poškodovano mrežico za lovljenje isker, če je njena uporaba obvezna.

Rezila

To poglavje obravnava kako s pravilno izbiro in vzdrževanjem rezil dosežete:

- Zmanjšate nevarnost odsunkov.
- Zmanjšajte nevarnost zaustavljanja ali poskakovanja žage.
- Dosežite optimalen učinek žaganja.
- Podaljšate življenjsko dobo rezil.
- Izogibajte se povečanim nivojem vibracij.

Splošna pravila

- **Uporabljajte samo rezila, ki jo priporočamo!** Glej navodila pod naslovom Vzdrževanje.
- **Rezni zobje verige naj bodo dobro in pravilno nabrušeni!** Upoštevajte navodila za brušenje in uporabljajte brusilno šablono, ki jo priporočamo. Poškodovana ali napačno nabrušena veriga povečuje nevarnost nesreč.
- **Vzdržujte pravilen razmik!** Sledite našim navodilom in uporabite priporočeno šablono. Prevelik razmik poveča nevarnost odsunka.
- **Veriga naj bo pravilno napeta!** Ohlapna veriga se rada sname in se hitreje obrabi, povzroča pa tudi večjo obrabo meča in pogonskega zobnika.
- **Oprema za rezanje mora biti dobro namazana in pravilno vzdrževana!** Slabo mazana veriga se hitreje

SPLOŠNA NAVODILA ZA VAMOST

strga in obrabi, povzroča pa tudi večjo obrabo meča in pogonskega zobnika.

Rezalna oprema, narejena, da zmanjša odsunek



OPOZORILO! Pokvarjena rezalna oprema ali nepravilna kombinacija meča in verige lahko poveča nevarnost odsunka! Sledite navodilom in uporabite le tiste kombinacije meča/verige, ki jih priporočamo. Glej navodila pod naslovom Vzdrževanje.

Odsunku se izognemo samo, če pri delu pazimo, da odbojni del meča ne zadene ob kakšen predmet.

Moč odsunka lahko zmanjšamo z uporabo rezil, ki imajo "vgrajeno" zaščito pred odsunkom, kot tudi tako, da uporabljamo samo dobro nabrušeno in vzdrževano verigo.

Meč

Čim manjši je premer vrha, tem manjša je nevarnost odsunka.

Veriga

Veriga je sestavljena iz členov v standardni izvedbi in v izvedbi, ki zmanjšuje odsunek.

POMEMBNO! Nobena žaga ne odstrani nevarnosti odsunka.



OPOZORILO! Kakršenkoli stik z rotirajočo se žago lahko povzroči resne poškodbe.

Nekaj izrazov, ki opisujejo meč in verigo

Da bi vzdrževali vse varnostne prednosti rezalne opreme morate obrabljene ali poškodovane kombinacije meča/verige zamenjati z mečem ali verigo, ki jih priporoča Jonsered. Glejte navodila v razdelku Tehnični podatki o kombinacijah meča/verige, ki jih priporočamo.

Meč

- Dolžina (cole/cm)
- Število zob na sprednjem zobniku (T).
- Korak verige (=pitch) (v colah). Presledek med pogonskimi členi verige se mora ujemati z razmikom zob na sprednjem in pogonskem zobniku.
- Število pogonskih členov (kos). Število pogonskih členov je določeno z dolžino meča, korakom verige in številom zob prednjega zobnika.
- Širina žleba (cole/mm). Širina žleba na meču mora ustrezati širini pogonskih členov verige.
- Odprtina za olje za verigo in odprtina za napenjalnik verige. Meč mora ustrezati konstrukciji motorne žage.

Veriga

- Korak verige (=pitch) (cole)
- Širina pogonskega člena (mm/cole)

- Število pogonskih členov (kos)

Brušenje verige in nastavljanje razmika šablone



OPOZORILO! Pri delu z verigo zmeraj uporabljajte rokavice, da zaščitite roke pred poškodbami.

Splošno o brušenju reznih zob

- Nikoli ne uporabljajte tope verige. Če je veriga topa morate uporabiti več pritiska, da potisnete meč skozi les in vreznine bodo zelo majhne. Z zelo topo verigo žago sploh ne morete žagati. Rezultat tega bo le žagovina.
- Ostra veriga zdrsne skozi les in dela dolge in tanke vreznine.
- Rezalni del žage se imenuje rezalni člen in je sestavljen iz rezalnega zoba (A) in stene (B). Globina reza je določena z razliko med višino obeh. (7)

Pri ostrenju rezalnega zoba si morate zapomniti štiri pomembne faktorje.

- 1 Kot brušenja
- 2 Kot rezanja
- 3 Položaj pile
- 4 Premer okrogle pile

Z nepravilno opremo je zelo težko pravilno zbrusiti verigo. Priporočamo vam, da uporabite našo šablono za brušenje. Tako boste vzdrževali največje zmanjšanje odsunka in učinek rezanja vaše žage.

Za informacije o brušenju žage poglejte navodila v razdelku Tehnični podatki.



OPOZORILO! Če se ne držite navodil za brušenje se lahko poveča nevarnost odsunka.

Brušenje reznega zoba

Za brušenje rezalnega zoba potrebujete okroglo pilo in šablono za brušenje. Za informacije o velikosti pile in šablone, ki so priporočljive za vašo žago poglejte navodila v razdelku Tehnični podatki.

- Poskrbite, da je veriga pravilno napeta. Ohlapno verigo je težko pravilno nabrusiti.
- Rezne zobe vedno pilite od notranje strani navzven. Pri povratnem potegu pile zmanjšajte pritisk nanjo. Najprej nabrusite vse zobe na eni strani, nato obrnite žago in nabrusite tudi zobe na nasprotni strani.
- Vse zobe pilite na isto dolžino. Ko se dolžina reznih zob zmanjša na 4 mm (0,16"), je veriga izrabljena in jo je potrebno zamenjati. (8)

Splošni napotki za nastavljanje razmika

- Z brušenjem rezalnega zoba zmanjšate razmik (globino reza). Za vzdrževanje učinka rezanja morate zbrusiti zob

SPLOŠNA NAVODILA ZA VAMOST

do priporočene višine. Za pravilen razmik za vašo žago pogledajte navodila v razdelku Tehnični podatki.



OPOZORILO! Če je razmik prevelik se poveča nevarnost odsunka!

Nastavitev razmika

- Pred nastavljanjem ramika morajo biti rezalni zobje nabrušeni. Priporočamo vam, da razmik nastavite pri vsakem tretjem brušenju verige. **OPOMBA!** Priporočilo sklepa, da je dolžina rezalnega zoba ni preveč zmanjšana.
- Za nastavitev razmika boste potrebovali ravno pilo in šablono. Priporočamo vam, da za razmik uporabite našo šablono, saj s tem vzdržujete pravilen razmik in pravilen kot.
- Položite šablono na verižno žago. Informacije o uporabi šablone lahko najdete na embalaži. Uporabite ravno pilo, da zbrusite presežek. Razmik je pravilen, ko več ne čutite odpora, ko povlečete pilo preko šablone.

Napenjanje verige



OPOZORILO! Ohlapna veriga se lahko sname in povzroči resno poškodbo, ki je lahko celo smrtno nevarna.



OPOZORILO! Vedno uporabljajte atestirane zaščitne rokavice. Veriga, ki miruje lahko pravtako povzroči resne poškodbe uporabniku ali osebam, ki imajo dostop do nje.

Veriga se z uporabo nateguje in postaja vse daljša, zato je pomembno, da jo redno napenjate in tako odpravite ohlapnost. Napetost verige preverite po vsakem dolivanju goriva. **POZOR!** Zavedajte se, da se nova veriga nekaj časa "uvaja" zato je potrebno napetost nove verige preverjati pogosteje. Napnite verigo kolikor se da, vendar ne tako močno, da je ni mogoče premikati z roko. **(9)**

- S kombiniranim ključem odvijte matice vijakov, s katerimi sta pritrjena pokrov sklopke/zavora verige. Uporabite kombinirani ključ. Za tem matice ročno trdno zategnite. **(10)**
- Dvignite konico meča in napnite verigo tako, da s kombiniranim ključem zategujete vijak za napenjanje verige. Verigo napenjajte, dokler se ne prilega tudi ob spodnji rob meča. **(11)**
- S kombiniranim ključem zategnite matice meča in istočasno dvignite konico meča. Preverite, če lahko verigo brez težav vlečete z roko, istočasno ko se ta tesno prilega spodnjemu robu meča. **(12)**

Mazanje rezil



OPOZORILO! Slaba namaščenost rezil lahko vodi do tega, da se veriga pretрга in povzroči hude ali celo smrtno poškodbe.

Olje za verigo

Olje za mazanje verige se mora dobro vpti v verigo in ostati primerno tekoče tako v poletni vročini kot v zimskem mrazu. Kot proizvajalec motornih žag smo razvili vrhunsko olje za verige, ki je izdelano na rastlinski osnovi, zato je biološko razgradljivo. Če želite zagotoviti kar najdaljšo življenjsko dobo verige in pri tem kar najmanj škodovati okolju, priporočamo uporabo Če našega olja ne dobite, vam svetujemo uporabo standardnega olja za mazanje verig.

Nikoli ne uporabljajte odpadnega olja! To je nevarno za vas, stroj in okolje.



POMEMBNO! Če za žago uporabljate olje, ki je rastlinskega izvora, odprite in očistite žleb v meču in verigi pred dolgotrajnim shranjevanjem. Drugače obstaja nevarnost, da olje oksidira. Zaradi tega postane veriga trda, zobniki pa se zatikajo.

Dolivanje olja za verigo

- Vse naše motorne žage imajo sistem za samodejno mazanje verige. Na nekaterih modelih je mogoče dotok olja uravnati tudi poljubno.
- Rezervoarja za olje in gorivo sta narejena tako, da najprej zmanjka goriva in nato olja. Vendarle, ta varnostna prednost zahteva, da uporabljate pravilno vrsto olja za verigo (če je olje preredko bo ga prej zmanjkalo kot goriva) in da nastavite uplinjač kot je priporočeno (slaba mešanica lahko pomeni, da bo gorivo trajalo dlje časa kot olje). Pravtako morate uporabljati priporočeno rezalno opremo (predlogi meč bo porabil več olja).

Kontrola mazanja verige

- Mazanje verige preverite ob vsakem točenju goriva. Glejte navodila pod naslovom Mazanje vrha meča. Konico meča usmerite proti svetli podlagi, tako da je od nje oddaljena približno 20 cm (8 col). Po eni minuti teka s 3/4 plina se mora na svetli površini pokazati različna oljna črta.

Če mazanje verige ne deluje:

- Preverite, če je oljni kanal v meču zamašen. Po potrebi ga očistite.
- Preverite, če se je v žlebu meča nabrala nesnaga. Po potrebi ga očistite.
- Preverite, če se sprednji zobnik meča premika neovirano in če je mazalna odprtina na konici meča morebiti zamašena. Če je potrebno, ju očistite in namastite.

Če sistem za mazanje verige tudi po zgornjih ukrepih ne deluje zadovoljivo, se obrnite na pooblaščen servisno delavnico.

Pogonski zobnik verige

Boben sklopke je nameščen s podpornim zobnikom (zobnik verige je zavarjen na boben).

Redno preverjajte stopnjo obrabljenosti pogonskega zobnika. Če je zobnik preveč obrabljen, ga zamenjajte. Pogonski zobnik zamenjajte vsakokrat, ko zamenjate verigo.

Pregled obrabljenosti rezil

Verigo pregledjte vsak dan in bodite pozorni na:

- Morebitne razpoke v zakovicah in členih.
- Togost verige.
- Močno obrabljenost zakovic in členov.

Verigo za žago zamenjajte, če ni v skladu z zgoraj napisanim. Svetujemo, da obrabljenost verige, ki jo uporabljate, ocenite tako, da verigo primerjate z novo verigo.

Verigo morate zamenjati, ko se dolžina reznih zob obrabi na 4 mm.

Meč

Redno pregledujte:

- Če je kovina na robovih meča nacefrana. Po potrebi odpilite štrleči srh. **(13A)**
- Če je žleb meča preveč obrabljen. Po potrebi meč zamenjate. **(13B)**
- Če je konica meča neenakomerno ali preveč obrabljena. Če se je na katerem od robov konice meča pojavila vdolbina, je to posledica dela s preveč ohlapno verigo.
- Da bo življenjska doba meča kar se da dolga, ga je potrebno vsak dan obrniti.



OPOZORILO! Večino nesreč z motornimi žagami povzroči veriga, ki udari uporabnika.

Pri delu vedno uporabljajte osebno zaščitno opremo. Glejte navodila v poglavju Oseba zaščitna oprema.

Ne lotevajte se dela, če se počutite negotovi. Glejte navodila v poglavjih Osebna zaščitna oprema, Kako preprečimo odsunek, Rezila in Splošna navodila za delo.

Izogibajte se delu v okoliščinah, v katerih obstaja nevarnost odsunka. Glejte navodila v poglavju Varnostna oprema stroja.

Uporabljajte predpisana rezila in redno preverjajte, v kakšnem stanju so. Glejte navodila v poglavju Splošna navodila za delo.

Preverite, da vsi deli varnostne opreme delujejo brezhibno. Glejte navodila v poglavjih Splošna navodila za delo in Splošna navodila za varnost pri delu.

Montaža meča in verige



OPOZORILO! Pred preverjanjem ali vzdrževanjem izključite motor. Stikalo za zaustavitev se samodejno vrne v začetni položaj. Da preprečite nenamerni zagon morate pri sestavljanju, preverjanju in/ali vzdrževanju pokrivalo za svečko odstraniti iz svečke.

Pri delu z verigo zmeraj uporabljajte rokavice, da zaščitite roke pred poškodbami.

Preverite, če je zavora verige sproščena, s tem da ščitnik odsunka potegnete proti prednjemu ročaju.

Odvijte matici in snemite ohišje sklopke (zavore verige). Snemite transportni ščitnik. **(A) (14)**

Natakните meč na vijaka, tako da je v skrajnem zadnjem položaju. Nadenite verigo na pogonski zobnik in v žleb meča. Začnite na zgornjem robu meča. **(15)**

Poskrbite, da so ostrine reznih zob verige na zgornjem robu meča obrnjeni naprej.

Namestite pokrov sklopke (zavora verige) in vstavite zatič za prilagajanje verige v luknjo na meču. Preverite ali pogonski členi verige pravilno nalegajo preko pogonskega zobnika in ali se veriga pravilno nahaja v utoru meča. Z roko zategnite matice meča. **(16)**

Verigo napnite s kombiniranim ključem tako, da obračate vijak za napenjanje verige v smeri urinega kazalca. Verigo napenjajte toliko časa, da ne bo več ohlapno visela s spodnjega roba meča. Glejte navodila pod naslovom Tesnjenje verige žage. **(17)**

Veriga je pravilno napeta, ko na spodnjem robu meča ne visi več ohlapno, a jo lahko še vedno brez napora premikate z roko. Držite konico meča navzgor in s kombiniranim ključem zategnite matici meča. **(18)**

Ko je veriga nova, je potrebno njeno napetost preverjati pogosteje, dokler se veriga ne uteče. Napetost verige preverjajte redno. Pravilno napeta veriga zagotavlja dober rez in ima dolgo življenjsko dobo. **(19)**

Namestitev opore

Namestitev opore naj opravi pooblaščen servisna delavnica.

Pogonsko gorivo

Opomba! Stroj je opremljen z dvotaktnim motorjem, ki ga zmeraj mora poganjati mešanica benzina in dvotaktnega olja. Pomembno je, da natančno ocenite količino olja za mešanico ter s tem zagotovite, da imate pravilno mešanico. Pri mešanju majhnih količin goriva lahko že majhna nenatančnost zelo vpliva na faktor mešanice.



OPOZORILO! Pri rokovanju z gorivom vedno skrbite za dobro prezračevanje.

Bencin

- Uporabljajte kakoviten neosvinčen ali osvinčen bencin.
- Najnižja priporočljiva stopnja oktanov je 90 (RON). Če motor deluje pri stopnji, nižji od oktanske stopnje 90, lahko pride do ropotanja motorja. Zaradi tega lahko pride do visoke temperature motorja in povečane obrabe ležajev, kar pa lahko povzroči resno poškodbo motorja.
- Pri dolgotrajnejšem delu z visokim številom vrtljajev (npr. žaganje vej) svetujemo uporabo bencina višje oktanske vrednosti.

Utekanje

Med delovanjem v prvih desetih urah ne smete delati s preveliko hitrostjo dlje časa.

Olje za dvotaktne motorje

- Za najboljše rezultate in učinek uporabljajte JONSERED olje za dvotaktne motorje, ki je posebej narejeno za naše zračno hlajene, dvotaktne motorje.
- Nikoli ne uporabljajte dvotaktnega olja, ki je namenjeno za zunajkrmne motorje, hlajene z vodo, ki jim tudi pravijo zunajkrmno olje (imenovano TCW).
- Nikoli ne uporabljajte olja za štiritaktne motorje.
- Slaba kakovost olja ali prebogata mešanica olja/benzina lahko ogrozi delovanje katalizatorja in zmanjša njegovo življenjsko dobo.

Mešalno razmerje

1:50 (2%) z JONSERED dvotaktnim oljem.

1:33 (3%) z olji, narejenimi za zračno hlajenje, dvotaktni motorji, klasificirani za JASO FB/ISO EGB.

Bencin, l	Olje za dvotaktne motorje, l	
	2% (1:50)	3% (1:33)
5	0,10	0,15
10	0,20	0,30
15	0,30	0,45
20	0,40	0,60

Mešanje

- Mešanico bencina in olja vedno pripravljajte v čisti posodi, atestirani za gorivo.
- Vedno začnite tako, da v posodo najprej natočite polovico potrebne količine bencina. Nato dodajte celotno količino olja. Dobro premešajte (s tresenjem). Dodajte preostalo količino bencina.
- Predno vlijete mešanico v posodo za gorivo, jo (s tresenjem) temeljito premešajte.
- Pripravite samo toliko mešanice, kolikor jo porabite v enem mesecu.

- Če stroja dalj časa ne boste uporabljali, izpraznite posodo za gorivo in jo očistite.

Olje za verigo

- Kot mazivo priporočamo uporabo posebnega olja (verizno olje) z dobrim stikom.
- Nikoli ne uporabljajte odpadnega olja. Odpadno olje poškoduje oljno črpalko, meč in verigo.
- Pomembno je, da je vrsta olja prilagojena temperaturi ozračja (primerna viskoznost).
- Pri temperaturah ozračja pod 0°C nekatera olja postanejo preveč trda. To lahko preobremeni oljno črpalko in poškoduje njene sestavne dele.
- Pri izbiranju olja za verigo se posvetujte s pooblaščenim servisno delavnicom.

Točenje goriva



OPOZORILO! Naslednji varnostni ukrepi zmanjšujejo nevarnosti požara:

V bližini goriva ne kadite in ne postavljajte vročih predmetov.

Ugasnite motor in ga pustite nekaj minut hladiti, predno začnete z natakanjem.

Pokrovček posode za gorivo odvijte počasi, kajti v posodi je lahko nadpritisek.

Po končanem točenju goriva pokrovček trdno privijte.

Pred vžigom stroj vedno umaknite s kraja, na katerem ste ga polnili z gorivom.

Okolico pokrovčka posode za gorivo natančno obrišite. Redno čistite posodi za gorivo in za olje za verigo. Filter za gorivo zamenjajte najmanj enkrat letno. Nesnaga v posodah za gorivo in olje lahko povzroči okvare in slabo delovanje motorja. Poskrbite, da je gorivo dobro zmešano tako, da pred polnjenjem temeljito pretresete posodo z mešanico. Prostornina obeh posod za gorivo in olje za verigo je medsebojno usklajena. Posodi za gorivo in olje za verigo zato vedno polnite istočasno.



OPOZORILO! Gorivo in hlapi so zelo vnetljivi. Pri delu z gorivom in oljem za verigo bodite previdni. Zavedajte se nevarnosti požara, eksplozije in vdihovanja strupenih hlapov.

Varna uporaba goriva

- Stroju ne dolivajte goriva, če je motor vžgan.
- Pri točenju ali pripravi goriva (mešanica za 2-taktno motorje) skrbite za dobro prezračevanje.
- Predno vžgete motor, prestavite stroj najmanj 3 metre proč od mesta, na katerem ste točili gorivo.
- Nikoli ne vžigajte stroja:
 - 1 Če ste gorivo ali olje za verigo polili po žagi. Obrišite žago in počakajte, da ostanki goriva izhlapijo.
 - 2 Če ste gorivo polili po sebi ali po vaši obleki, se preoblecite. Umijte tiste telesne dele, ki so bili v stiku z gorivom. Uporabljajte milo in vodo.

- 3 Če gorivo uhaja. Redno preverjajte tesnost pokrova posode za gorivo in dovode goriva.



OPOZORILO! Stroj z vidno poškodbo varovala vžigalne svečke in vžigalnega kabla ne uporabljajte. Poveča se nevarnost isker, ki lahko povzročijo požar.

Prevoz in shranjevanje

- Motorno žago in gorivo vedno hranite na kraju, kjer ni nevarnosti iskrenja ali odprtega plamena. Na primer daleč proč od električnih strojev, elektromotorjev, električnih stikal, peči za ogrevanje in podobno.
- Gorivo vedno hranite v temu namenjenih in atestiranih posodah.
- Pred dolgotrajnejšim skladiščenjem ali prevozom motorne žage iztočite gorivo in olje. Na najbližji bencinski črpalki se pozanimajte, kje lahko varno zavržete odpadno gorivo in olje.
- Preden stroj shranite za dalj časa, ga obvezno očistite in dajte na popoln servis.
- Da bi se izognili nenamernemu dotiku z ostro verigo mora med transportom in pri shranjevanju biti zmeraj nameščeno varovalo za stroj. Veriga, ki miruje lahko prav tako povzroči resne poškodbe uporabniku ali osebam, ki imajo dostop do nje.
- Med transportom napravo zavarujte.

Dolgotrajno shranjevanje

V dobro prezračenem prostoru izpraznite rezervoarja za gorivo in olje. Gorivo shranjujte v primernem zabojniku in na varnem mestu. Namestite varovalo za meč. Stroj očistite. Glej navodila pod naslovom Vzdrževanje.

Vžig in izklop



OPOZORILO! Pred vžigom bodite pozorni na naslednje:

Zavora za žago mora biti pred zagonom naprave aktivirana, da se prepreči rotiranje.

Nikoli ne vžigajte motorne žage, če niso meči, veriga in vsa ohišja pravilno pritrjeni. Sklopka lahko odpade in povzroči osebne poškodbe.

Stroj položite na trdna tla in se prepričajte, da se meč in veriga ničesar ne dotikata. Poskrbite tudi, da imate trdno oporo nog.

Prepričajte se, da na kraju kjer delate, ni nepoklicanih.

Hladen motor

Vžig: Zavora verige mora biti vklopljena, ko vžgete motorno žago. Zavoro aktivirajte tako, da ščitnik odsunka prestavite naprej. (20)

1. Črpalka za gorivo: Večkrat pritisnite na gumijasti gumb črpalke, tako da se gumb začne polniti z gorivom. Ni potrebno, da je gumb popolnoma poln. (23)

2. Čok: Moder regulator zagnoske/dušilne lopute potegnite do konca ven (v položaj **POLNA MOČ**). Ko v celoti izvlečete

dušilko/ročico za hiter prosti tek se pravilna nastavitve dušilke samodejno nastavi. (21)

Zagonski plin: Kombinirana lega čok/zagonski plin deluje, ko je ročica v položaju čok. (22)

Vžig

Prednji ročaj primate z levo roko. Verižno žago držite na tleh, tako da postavite desno nogo skozi zadnji ročaj.

3. Povlecite zaganjalno ročico z desno roko in potegnite zaganjalno vrvico počasi navzven, tako dolgo da začutite odpor (ko začne vžig prijemati), potem pa potegnite hitro in močno, dokler motor ne vžge. **Vžigalne vrvice nikoli ne navijajte okoli zapestja. (25)**

POZOR! Vžigalne vrvice nikoli ne izvlecite do konca in tudi vžigalne ročice nikoli ne potisnite v skrajno lego. Takšno ravnanje lahko poškoduje stroj.

4. Potisnite noter ročico čoka do nastavitve "1/2 čoka", takoj ko motor vžge in se zasliši zvok "puf". (21)

5. Še naprej močno vlecite vrvico, dokler motor ne vžge. (26) Pustite, da se motor ogreva trideset sekund, nato pa stisnite ročico plina za nastavitve normalnega prostega teka. Medtem ko je zavora verige še vedno pritegnjena, čim prej nastavite hitrost motorja za prosti tek, tako da hitro enkrat pritisnete zavoro dušilne lopute. Tako preprečite nepotrebno obrabo sklopke, ohišja sklopke in zavornega traku.

Opomba! Zavoro verige ponovno aktivirate tako, da pritisnete sprednje varovalo za roko nazaj (označeno s 'PULL BACK TO RESET') proti sprednji ročici. (27) Žaga je sedaj pripravljena za uporabo.

Topel motor

Uporabite isti postopek kot pri zagonu hladnega motorja, vendar brez nastavitve regulatorja v položaj zagona. Dušilno loputo nastavite v položaj za zagon tako, da povlečete modri regulator lopute v položaj za hladen zagon in ga ponovno potisnete navzgor. (24)



OPOZORILO! Vdihovanje izpušnih plinov motorja, meglice olja za verigo in prahu žagovine v daljšem časovnem razdobju je lahko zdravju nevarno.

- Vdihovanje izpušnih plinov motorja, meglice olja za verigo in prahu žagovine v daljšem časovnem razdobju je lahko zdravju nevarno. Glejte navodila v poglavju Montaža. Brez nameščenega meča in verige na žagi se lahko sprost zaklopka in povzroči resne poškodbe. (28)
- Pred zagonom žage mora biti aktivirana zavora. Glej navodila pod naslovom Zaganjanje in zaustavitve. Žage ne zaženite tako, da jo vržete ob tla. Ta metoda je izredno nevarna in zelo hitro lahko izgubite nadzor nad žago. (29)
- Stroj ne vžigajte v zaprtem prostoru. Vdihovanje izpušnih plinov je lahko nevarno.
- Pred vžigom se prepričajte, da v bližini ni ljudi ali živali, ki bi jih med delom lahko ogrozili.
- Žago zmeraj držite z obema rokama. Desno roko položite na zadnjo ročico in levo roko na sprednjo ročico. **Vsi uporabniki, tako desničarji kot levičarji, naj bi uporabljali enak prijem.** Trdno držite ročico tako, da se palci in prsti oklenejo okoli ročice. (30)

Izklop

Zaustavite motor s pritiskom na gumb za ustavitve. (31)

Pred vsako uporabo: (32)

- 1 Preverite, da zavora verige deluje brezhibno in da je nepoškodovana.
- 2 Preverite, da zadnji ščitnik desne roke ni poškodovan.
- 3 Preverite, da zavora plinske ročice deluje brezhibno in da je nepoškodovana.
- 4 Preverite ali stikalo za ustavitev deluje pravilno in da ni poškodovano.
- 5 Preverite, da na nobenem ročaju ni olja.
- 6 Preverite, da sistem dušenja tresljajev deluje in da je nepoškodovan.
- 7 Preverite, da je dušilec dobro pritrjen in da je nepoškodovan.
- 8 Preverite, da so vsi detajli na motorni žagi dobro pritrjeni, da niso poškodovani in da nič ne manjka.
- 9 Preverite, da je lovilce verige pritrjen na svoje mesto in nepoškodovan.
- 10 Preverite napetost verige.

Splošna navodila za delo

POMEMBNO!

V tem poglavju so opisana osnovna pravila za varno delo z motorno žago. Ta navodila ne morejo nadomestiti strokovnega znanja in izkušenj, ki jih ima poklicni delavec. Če ste v določenih okoliščinah negotovi, prenehajte z delom in poiščite strokovno pomoč. Strokovno pomoč vam lahko nudi vaš trgovec, servisna delavnica, ali pa izkušen uporabnik motorne žage. Ne lotevajte se opravil, za katera nimate dovolj strokovnega znanja!

Predno začnete z uporabo motorne žage, morate poznati vzroke odsunka in kako ga preprečujemo. Glejte navodila v poglavju Kako preprečimo odsunek.

Predno začnete z uporabo motorne žage, morate poznati razliko med žaganjem z zgornjim in spodnjim robom meča. Glej navodila za nadzorom Kako se izogniti odsunku in Varnostna oprema stroja.

Pri delu vedno uporabljajte osebno zaščitno opremo. Glejte navodila v poglavju Oseba zaščitna oprema.

Osnovna varnostna pravila

- 1 Oglejte si okolico in se prepričajte:
 - Da v bližini ni ljudi, živali ali predmetov, ki bi lahko vplivali na vašo kontrolo stroja pri delu.
 - Da medtem, ko delate, nihče ne more priti v stik z verigo žage, ali pa na območje padajočega drevesa in se pri tem poškodovati.

POZOR! Upošteвайте zgornja navodila, vendar pa poskrbite tudi, da boste lahko v primeru nesreče vedno priklicali pomoč.

- 2 Ne uporabljajte žage v slabih vremenskih razmerah. Takšne razmere so gosta megla, močen dež ali veter, hud mraz, itd. Delo v slabem vremenu utruja bolj kot sicer, obenem pa je povezano z dodatnimi nevarnostmi, kot so poledica, nepredvidljiva smer padca dreves, ipd.
- 3 Še posebno previdni bodite pri žaganju tanjših vej; izogibajte se žaganju grmov (= več tanjših vej hkrati). Veriga lahko tanjše veje zgrabi, zaradi česar jo vrže v vas, pri tem pa vas lahko hudo poškoduje.
- 4 Poskrbite, da lahko na območju dela varno stojite in hodite. Če morate nepričakovano spremeniti delovni

položaj, če posebej pazite na morebitne ovire (korenine, kamenje, veje, jarko, itd). Pri delu na nagrnjenih tleh bodite še posebej previdni.

- 5 Bodite še posebno previdni, kadar žagate ukleščena drevesa. Ukleščeno drevo se lahko pred in po žaganju povrne v svojo normalno lego. Če stojite na napačnem mestu, ali pa če je smer žaganja napačna, se lahko zgodi, da bo drevo zadelo vas ali pa stroj, tako da boste izgubili nadzor nad njem. V obeh primerih se lahko nevarno poškodujete.
- 6 Ko želite žago prenesti na drugo mesto, najprej ugasnite motor in z zavoro blokirajte verigo. Žago nosite tako, da sta meč in veriga obrnjen nazaj. Med daljšim prenašanjem in ob prevozih na meč vedno natakrite ščitnik.
- 7 Ko postavite žago na tla, jo s pomočjo zavora zaklenite in se prepričajte, da jo imate zmeraj pod nadzorom. Zaustavite motor, ko zapustite žago za dalj časa.



OPOZORILO! V pokrov sklopke se lahko zataknejo delci, ki povzročijo, da se veriga zmečka. Vedno ugasnite motor, preden začnete čiščenje.

Splošna pravila

- 1 Če razumete, kaj je odsunek in kako nastane, zmanjšate ali celo popolnoma odpravite nevarnost presenečenja. Presenečenje poveča nevarnost nesreče. Odsunek je običajno šibak, včasih pa je bliskovit in silovit.
- 2 Žago vedno trdno držite z desnico na zadnjem in levico na sprednjem ročaju. Ročaja objemite s palcem in prsti. Takšen prijem, ki je enak tako za levičarje kot desničarje, zmanjša učinek odsunka in vam omogoči, da ohranite nadzor nad žago. **Ne izpustite ročajev!**
- 3 Večina nesreč z odsunjeno žago se zgodi pri žaganju vej. Poskrbite za trdno oporo nog in odstranite vse, ob kar bi se med delom lahko spotaknili, ali zaradi česar bi lahko izgubili ravnotežje.
Če niste dovolj pozorni, vam utegne žago odsuniti takoj, ko se z odbojnim območjem meča nehote dotaknete veje, bližnjega debela ali kakega drugega predmeta. Nadzorujte delovni predmet. Če so delčki, ki jih želite rezati majhni in lahki se lahko zagodijo v verigo in jih vrže proti vam. Čeprav to ne pomeni nevarnosti se lahko presenetite in izgubite nadzor nad žago. Nikoli ne žagajte naloženega lesa ali vej brez, da bi jih ločili. Zmeraj žagajte le en hloed naenkrat. Odstranite odžagane dele, da bo delovno območje varno.
- 4 **Nikoli ne žagajte nad višino ramen, ali samo s konico meča. Pri žaganju vedno držite žago z obema rokama! (33)**
- 5 Za popolni nadzor nad motorno žago, morate stati stabilno. Nikoli ne delajte stoje na lestvi, drevesu, oziroma če podlaga, na kateri stojite, ni stabilna. **(34)**
- 6 Vedno žagajte pri najvišjih vrtljajih, t.j. s polnim plinom.
- 7 Pri žaganju z zgornjim robom meča, to se pravi pri žaganju od spodaj navzgor, bodite še posebej previdni. Temu načinu žaganja, ki mu pravimo tudi potisno žaganje. Pri žaganju potiska veriga žago nazaj proti uporabniku. Če se veriga zagodzi lahko žago vrže nazaj proti vam.
- 8 Če se uporabnik tej potisni sili ne upira dovolj, obstaja nevarnost, da se bo žaga premaknila tako daleč nazaj, da se bo debela dotikala samo še z odbojnim območjem meča, kar bo povzročilo odsunek. **(35)**

Žaganje s spodnjim robom meča, to se pravi od zgoraj navzdol, se imenuje žaganje na vlek. V tem primeru žago vleče proti deblu, njeno težo pa nosi spodnji rob meča. Ta način žaganja omogoča uporabniku boljši nadzor žage in položaja odbojnega območja meča.

- 9 Upoštevajte navodila za brušenje in vzdrževanje meča in verige. Meč in verigo vedno zamenjajte samo v kombinacijah, ki jih priporočamo. Glejte navodila v poglavjih Rezila in Tehnični podatki.

Osnovna tehnika žaganja



OPOZORILO! Nikoli ne žagajte samo z eno roko. Žage ne morete varno obvladovati, če jo držite samo z eno roko. Zmeraj z obema rokama na ročajih trdno držite žago.

Splošno

- Žagajte vedno s polnim plinom!
- Po vsakem rezu postavite plin v prosti tek (če neobremenjen motor predolgo teče s polnim plinom in brez obremenitve verige, lahko to povzroči hudo okvaro motorja).
- Žaganje od zgoraj = žaganje v položaju, ko veriga vleče k deblu.
- Žaganje od spodaj = žaganje v položaju, ko veriga odriva od debla.

Žaganje v položaju, ko veriga odriva od debla, pomeni večjo nevarnost odsunka. Glejte navodila v poglavju Kako preprečimo odsunek.

Izrazi

Žaganje = splošen izraz za žaganje lesa.

Žaganje vej = odstranjevanje vej s podrtega debla.

Razcep = deblo ali veja se razcepita, predno ju prežagamo.

Pred začetkom žaganja upoštevajte pet zelo pomembnih dejavnikov:

- 1 Poskrbite, da se rezilo ne bo zagodilo v rezu.
- 2 Poskrbite, da se deblo med žaganjem ne razcepi.
- 3 Poskrbite, da veriga med žaganjem ali po njem ne udari ob tla ali kak drug predmet.
- 4 Obstaja nevarnost odsunka?
- 5 Lahko teren in drugi pogoji v vašem delovnem okolju vplivajo na to, kako varno pri delu stojite in hodite?

Na to, ali se bo veriga zagodila in ali se bo deblo preklalo, vplivata dva dejavnika: kako je deblo podprto pred in po žaganju in ali je napeto.

V večini primerov se lahko izognete tem težavam tako, da žagate v dveh etapah: najprej z zgornje in nato s spodnje strani debla. Preprečite, da deblo uveljavi "svojo voljo" s tem, da se veriga zagodži ali pa, da se deblo razkolje.

POMEMBNO! Če se veriga med žaganjem zagodži: ugasnite motor! Žage ne skušajte izvleči iz reza. Ko žaga "spusti", se lahko pri tem poškodujete na verigi. Rez razprite s primernim vzvodom in žago izvlecite.

Navodila spodaj so teoretičen opis najbolj običajnih situacij, ki se lahko pri žaganju primerjajo uporabniku in kako je v teh situacijah primerno ravnati.

Žaganje vej

Pri odstranjevanju debelih vej ravnajte enako kot pri žaganju debel.

Nerodne in težavne veje žagajte po kosih.

Žaganje



OPOZORILO! Nikoli ne poskušajte žagati hlovod, ki so naloženi en na drugega ali pa so postavljeni skupaj. Takšen postopek neverjetno poveča nevarnost odsunka, ki lahko pomeni resne ali smrtne poškodbe.

Ko imate les zložen morate vsak del posebej vzeti, ga postaviti na rezalno mizo in ga posebej odžagati.

Iz delovnega območja odstranite odžagane dele. S tem, ko jih pustite na delovnem območju povečate nevarnost odsunka ter nevarnost izgube ravnotežja med delom.

Deblo leži na tleh. Nobene nevarnosti ni, da se veriga zagodži in da se deblo razcepi. Obstaja pa velika nevarnost, da veriga ob koncu reza udari ob tla.

Deblo prežagajte z zgornje strani. Ko ste z rezom deblo skoraj prežagali, pazite, da se veriga ne dotakne tal. Motor naj teče s polnim plinom, vseskozi pa bodite pozorni na to, kaj se lahko primeri. **(36)**

Če imate možnost (lahko deblo obrnete?), končajte z rezom, ko ste prežagali 2/3 debla.

Obrnite deblo in prežagajte zadnjo 1/3 z vrha.

Deblo je podprto na enem koncu. Obstaja velika nevarnost, da se razcepi.

Začnite žagati s spodnje strani (približno do 1/3 premera debla).

Nadaljujte z žaganjem z zgornje strani, dokler se reza ne srečata.

Deblo je podprto na obeh koncih. Obstaja velika nevarnost, da se veriga zagodži.

Začnite žagati s zgornje strani (približno do 1/3 premera debla).

Nadaljujte z žaganjem s spodnje strani, dokler se reza ne srečata.

Tehnika podiranja dreves

POMEMBNO! Za podiranje dreves je potrebna velika izkušnost. Če s podiranjem dreves nimate izkušenj, se tega ne lotite. Nikoli se ne lotite dela, če zanj nimate dovolj izkušenj!

Varna razdalja

Varna razdalja med drevesom, določenim za podiranje, in ljudmi, ki delajo v bližini, naj bo najmanj 2,5 krat daljša od dolžine drevesa. Poskrbite, da med podiranjem na nevarnem območju ne bo nikogar razen vas. **(37)**

Smer podiranja

Drvo naj pade na takšno mesto in na takšen način, da bo kasnejše žaganje vej in debla potekalo na čim bolj "lahkem" terenu. Na delovnem območju mora biti varno stati in hoditi. Ko določate smer, v katero naj bi padlo drvo, ki ga nameravate podreti, presodite, katera smer je naravna smer padca.

Na slednje vpliva več dejavnikov:

- Nagib
- Upognjenost
- Smer vetra
- Razporeditev vej
- Morebitna teža snega
- Ovire v bližini drevesa so: na primer, druga drevesa, napetostni kabli, ceste in zgradbe.
- Preverite za znake poškodb in gnitja v lesu. Večja verjetnost je, da se bo drvo zlomilo in začelo padati še preden boste pripravljani na to.

Včasih je padec drevesa nemogoče ali nevarno usmeriti tja, kamor želite, zato vam takšnih primerih ne preostane nič drugega, kot da pustite, da drvo pade v svojo naravno smer.

Drug, zelo pomemben dejavnik, ki sicer ne vpliva na smer padca, vpliva pa na vašo osebo varnost, so morebitne poškodovane ali suhe veje, ki se med podiranjem drevesa lahko odlomijo in vas poškodujejo.

Najpomembnejše je zagotoviti, da drvo ne obvisi na drugem drevesu. Odstranjevanje zataknenega drevesa je zelo nevarno, saj je zelo verjetno, da bo prišlo do nesreče. Preberite navodila pod Reševanje slabo padlega drevesa.

POMEMBNO! V vseh kritičnih trenutkih podiranja drevesa odstranite zaščitne slušalke, tako da boste slišali morebitne opozorilne zvoke.

Žaganje spodnjih vej in smeri umika

Iz drevesa odstranite veje do višine ramen. Bolj varno je delati od zgoraj navzdol tako, da je drvo med vami in žago.

Očistite prpodrast okoli debla drevesa in si oglejte, če so okoli njega morebitne ovire (kamenje, veje, luknje in podobno); odstranite jih, tako da boste imeli prsto pot za umik, ko bo drvo začelo padati. Smer umika naj bo pod kotom približno 135° na smer predvidenega padca. **(38)**

- 1 Območje tveganja
- 2 Pot vrnitve
- 3 Smer podiranja

Podiranje



OPOZORILO! Neizkušenim uporabnikom odsvetujemo podiranje dreves z meči, krajšimi od premera debla!

Drvo podremo s tremi rezi. Najprej naredite smerni rez, ki ga sestavljata "zgornji rez" in spodnji rez, nato pa drvo podrite s podiralnim rezom. Če žagate na pravilno izbranih točkah, lahko smer padca določite zelo natančno.

Smerni rez

Kadar žagate smerni rez, najprej vedno zažagajte zgornji rez. Stojte desno od debla in žagate pod kotom navzdol.

Zatem naredite spodnji rez, ki se mora končati natančno na istem mestu kot zgornji rez. **(39)**

Smerni rez naj bo globok 1/4 premera debla, kot med zgornjim in spodnjim rezom pa naj bo najmanj 45°.

Črta, na kateri se reza srečata, se imenuje črta smernega reza. Ta naj bo popolnoma vodoravna in pod pravim kotom (90°) na izbrano smer podiranja. **(40)**

Podiralni rez

Tudi podiralni rez, ki ga naredite z nasprotne strani drevesa, naj bo popolnoma vodoraven. Postavite se levo od drevesa in žagajte s spodnjim robom meča.

Podiralni rez naj bo 3–5 cm (1,5–2 colli) nad vodoravno linijo smernega reza.

Opora naj bo (če je montirana), za prelomnim pasom. Žagajte s polnim plinom in počasi vodite verigo/meč v deblo. Bodite pozorni, če se drvo začne premikati v nasprotno smer od izbrane. Takoj ko je rez dovolj globok, zabijte vanj klin ali lomilko. **(41)**

Podiralni rez zaključite vzporedno s črto smernega reza, tako da je razdalja med njima najmanj 1/10 premera debla. Neprežagani del debla se imenuje prelomni pas.

Prelomni pas, ki deluje kot tečajni na vratih, nadzoruje smer padca drevesa. **(42)**

Če je prelomni pas preozek ali prežagan, ali če sta smerni izsek in podiralni rez na napačnem mestu, je smer padca nemogoče nadzorovati.

Ko sta podiralni rez in smerni izsek končana, mora drvo začeti padati samo od sebe, ali pa s pomočjo klina oziroma lomilke.

Priporočamo, da uporabljate meč, ki je daljši od premera drevesa tako, da lahko rez za občutek in smer naredite z "eno potezo". Za priporočila o dolžini meča za vaš model žage, glejte navodila v razdelku Tehnični podatki.

Obstajajo tudi metode podiranja dreves z meči, ki so krajši od premera debla. Vendar pa se s temi metodami dela poveča nevarnost stika med odbojnim delom meča in predmeti v okolici.

Ravnanje z drevesom, ki je padlo napačno

Osvobajanje "ujetega drevesa"

Odstranjevanje zataknenega drevesa je zelo nevarno, saj je zelo verjetno, da bo prišlo do nesreče.

Nikoli ne žagajte drevesa na katerega je padlo drugo drvo.

Nikoli ne delajte v območju nevarnosti, ko drvo visi ali pa je zagozdno.

Najbolj varen način je uporaba vitla.

- Vitel priključen na traktor
- Prenosni vitel

Žaganje napetih dreves in vej

Priprava: Ocenite, v katero smer je veja oziroma deblo napeto in kje je njuna naravna točka preloma (točka, v kateri bi se prelomila, če bi se napetost stopnjevala).

Ocenite, kako je napetost mogoče sprostiti na najbolj varen način in če boste tej nalogi lahko kos osebno. V zapletenih primerih je možen en sam varen način dela: odložite motorno žago in uporabite vitel.

Splošno:

Postavite se tako, da boste zunaj dosega debla ali veje, ko napetost popusti.

Na točki preloma ali v njeni bližini napravite več rezov. Napravite toliko in tako globokih rezov, kot je potrebno, zato da bo napetost popustila in da se do debla/veja "prelomila" v točki preloma.

Napetega debla ali veje nikoli ne skušajte prežagati z enim samim rezom!

Ko morate prežagati drevo/veje, naredite dva do tri vreza z razmikom 3 cm in globino 3–5 cm.

Nadaljujte žaganje dokler se ne sprost napetost in upogib drevesa/veje.

Ko se napetost sprost odžagajte drevo/vejo iz nasprotni strani.

Preprečevanje odsunka



OPOZORILO! Žago lahko pri delu odsune bliskovito, silovito in povsem nepričakovano; telo žage, meč in verigo odsune proti uporabniku. Če se to zgodi, ko se veriga premika, se nezgoda lahko konča s hudo poškodbo, ki je včasih lahko celo smrtno nevarna. Zato je nadvse pomembno, da razumete, kaj povzroči odsunek, kot tudi, da ga je s previdnostjo in pravilnim načinom dela mogoče preprečiti.

Kaj je odsunek?

Izraz odsunek uporabljamo za opis nenadne reakcije, do katere pride ob stiku zgornjega kvadranta konice meča, imenovanega tudi odbojno območje, z okolico, ki ga odsune nazaj. (43)

Do odsunka pride vedno v ravnini žaganja. Običajno odsune žago nazaj in navzgor proti uporabniku. Lahko pa se zgodi, da žago odbije v kakšno drugo smer, odvisno od položaja žage v trenutku, ko se je odbojno območje meča dotakne predmeta v okolici.

Žago odsune izključno v primeru, ko se odbojno območje meča dotakne predmeta v okolici. (44)

Žaganje vej



OPOZORILO! Večina nesreč z odsunkom se zgodi tekom žaganja vej iz drevesa. Ne uporabljajte območja odsunka meča. Bodite izjemno pazljivi in pazite, da vrh meča ne pride v stik z lesom oz. drugimi vejami ali predmeti. Bodite izjemno pazljivi z vejami, ki so napete. Lahko se sprostijo proti vam in povzročijo, da izgubite nadzor ter vas poškodujejo.

Poskrbite, da pri delu hodite in stojite varno! Delajte na levi strani debla. Žago imejte tesno ob telesu, tako da boste imeli nad njo kar najboljši nadzor. Če okoliščine dopuščajo, naj teža žaga počiva na deblu.

Delovni položaj zamenjajte le, ko je debl med varni in žago.

Žaganje debla

Glejte poglavje Osnovna tehnika žaganja.

Splošno

Uporabnik sme sam izvajati le tista vzdrževalna in servisna dela, ki so navedena v teh navodilih za uporabo. Zahtevnejše posege mora opraviti pooblaščen servisna delavnica.

Nastavitev uplinjača

Vaš Jonsered izdelek je zasnovan in izdelan tako, da zmanjšuje količino škodljivih izpušnih plinov.

Delovanje

- Uplinjač uravnava hitrost teka motorja preko ročice za plin. V uplinjaču se mešata zrak in gorivo. To razmerje je mogoče spreminjati. Da bo izkoristek zmogljivosti stroja najboljši, je potrebna pravilna nastavitev uplinjača.
- Vijak T uravnava število vrtljajev prostega teka. Če ga zasučemo v smeri urinega kazalca, se hitrost prostega teka poveča, z obračanjem v nasprotno smer pa se hitrost zmanjša.

Osnovna nastavitev in utekanje

Za osnovno nastavitev uplinjača poskrbimo pri tovarniškem preizkusu. Fino nastavljanje naj opravi izkušen strokovnjak.

Priporočeno število vrtljajev motorja v prostem teku: Glejte poglavje Tehnični podatki.

Fina nastavitev hitrosti prostega teka T

Prosti tek nastavite z vijakom T. Če je prosti tek potrebno ponovno nastaviti, vžgite motor in najprej privijte vijak T (v smeri urinega kazalca), tako da se veriga začne vrteti. Nato vijak odvijte (v nasprotno smer urinega kazalca), do točke, ko se veriga ustavi. Prosti tek je nastavljen pravilno, ko motor teče gladko v vseh legah, z zadostno marginalno do števila vrtljajev, pri katerem se veriga začne vrteti.



OPOZORILO! Če prostega teka ne morete nastaviti tako, da se veriga ustavi, se obrnite na pooblaščen servisno delavnico. Žage ne uporabljajte, dokler ni pravilno nastavljena ali popravljena.

Kontrola, vzdrževanje in servis varnostne opreme motorne žage

Opomba! Vsa popravila na stroju zahtevajo posebno usposobljenost. To še posebej velja za varnostno opremo stroja. Če stroj ne prestane nobenega od zgoraj napisanih testov vam priporočamo, da ga odnesete na popravilo. Vse vzdrževalne ukrepe, z izjemo tistih, ki so opisani v tem priročniku, naj opravi pooblaščen servisna delavnica (zastopnik).

Pred popravilom ali vzdrževanjem motor izključite iz odstranite zaganjalni kabel

Zavora verige s ščitnikom

Pregled izbire zavornega traku

Z zavorne verige in bobna sklopke odstranite žagovino, smolo in umazanijo. Umazanija in izrabljenost vplivata ne učinkovitost zavorne. (45)

Redno preverjajte debelino zavornega traku, ki mora tudi na najtanjšem mestu znašati najmanj 0,6 mm.

Pregled ščitnika odsunka

Preverite, če je ščitnik odsunka nepoškodovan. Bodite pozorni na vidne znake poškodb, kot so npr. razpoke.

Ščitnik odsunka potisnite naprej in nazaj ter se prepričajte, če se giblje neovirano in če je varno pritrjen na pokrov sklopke. **(46)**

Preverjanje samodejnega delovanja zavore

Ugasnjeno žago postavite na panj ali drugo stabilno površino. Sprostite sprednjo ročico in pustite, da žaga sama pade tako, da se obrne na zadnji ročici proti panju.

Ko konic meča zadene ob panj, se mora zavora sprožiti. (47)

Preverjanje delovanja zavore

Položite žago na trdno podlago in jo poženite. Pazite, da veriga ni v stiku s tlemi ali kakim drugim predmetom. Glejte navodila v poglavju Vžig in izklop.

S palcem in prsti čvrsto objemite ročaja žage.

Poženite motor s polnim plinom in sprožite zavoro verige, tako da z levim zapestjem odsunete ščitnik odsunka. Pri tem ne spustite sprednjega ročaja. **Veriga se mora v trenutku ustaviti.**

Zapora plina

- Prepričajte se, da je ročica za uravnavanje plina v prostem teku, kadar je v svojem izhodiščnem položaju.
- Stisnite zaporo plina in se prepričajte, da se povrne v svoj prvotni položaj, ko jo izpustite.
- Preverite, če se ročica za plin in zapora plina premikata neovirano in ali njuni povratni vzmeti delujeta pravilno.
- Poženite žago in nastavite polni plin. Spustite ročico za uravnavanje plina in se prepričajte, da se veriga ustavi in da nato popolnoma miruje. Če se veriga vrti v prostem teku, preverite nastavevte uplinjača v prostem teku.

Lovilec verige

Preverite, če je lovilec verige nepoškodovan in trdno pritrjen na telo žage.

Ščitnik desne roke

Preverite, če je ščitnik desne roke nepoškodovan in da nima opaznih napak, na primer razpok.

Sistem dušenja tresljajev

Redno preverjajte stanje elementov za dušenje vibracij. Bodite pozorni na morebitne razpoke in druge deformacije.

Preverite, če so dušilni elementi dobro pritrjeni med ohišje motorja in oba ročaja.

Izklopno stikalo

Vžgite motor in preverite, če se ustavi, ko izklopno stikalo potisnete v položaj STOP.

Dušilec

Nikoli ne uporabljajte stroja s pokvarjenim dušilcem. Redno preverjajte, če je dušilec dobro pritrjen na stroj.

Opomba: Maslo za zadrževanje isker (A) na stroju lahko servisirate. **(48)** Poškodovano mrežico morate vedno zamenjati. Če je mrežica zamašena, se motor pregreva, kar poškoduje valj in bat. Nikoli ne uporabljajte stroja, če je dušilec v slabem stanju ali poškodovan. **Ne uporabljajte dušilca, ki ima poškodovano mrežico, ali pa je celo brez nje.**

Pri normalni domači uporabi vam ne bo treba zamenjati dušilca in maske za zadrževanje isker.

Zračni filter

Zračni filter je potrebno redno čistiti, kajti z odstranjevanjem prahu in umazanije preprečimo:

- Motnje v delovanju uplinjača
- Težave pri vžigu
- Pojemanje moči motorja
- Nepotrebno obrabo delov motorja
- Nenormalno visoko porabo goriva.
- Odstranite zračni filter (3) po tem, ko ste odstranili pokrov cilindra, vijak (1) in pokrov filtra (2). Po nameščanju se prepričajte, da zračni filter tesni na nosilec filtra. Očistite filter tako, da ga očistite s ščetko ali pretrese. **(49)**

Učinek čiščenja zračnega filtra bo boljši, če ga operemo z vodo in milnico.

Zračnega filtra, ki ste ga uporabljali dalj časa, ni mogoče dobro očistiti. Zaradi tega je potrebno filter redno nadomeščati z novim. **Če je zračni filter poškodovan, ga nemudoma zamenjajte.**

Svečka

Na stanje svečke vpliva naslednje:

- Nepravilna nastavevte uplinjača.
- Nepravilna mešanica goriva z oljem (preveč olja ali napačno olje).
- Umazan zračni filter.

Posledica teh dejavnikov je nabiranje oblog na elektrodah svečke, kar lahko privede do nepravilnega delovanja motorja in težav pri vžigu.

Če je moč motorja oslABLJENA, če ga je težko vžgati, delovanje v prostem teku pa je neenakomerno: vedno najprej pregledajte svečko. Če je zamašena, jo očistite in preverite, da je razmik med elektrodama 0,5 mm. Svečko zamenjajte po približno enomesečni uporabi, če pa je potrebno, tudi prej. **(50)**

Opomba! Vedno uporabljajte samo tip svečke, ki ga priporočamo! Uporaba napačne svečke lahko uniči bat in valj. Poskrbite, da ima svečka t.i. zaščito proti radijskim motnjam.

VZDRŽEVANJE

Urnik vzdrževanja

V nadaljevanju sledi lista o tem, kako je stroj potrebno vzdrževati. Večina točk je navedena v poglavju Vzdrževanje.

Vsakodnevno vzdrževanje (Vsakih 5–10 ur.)	Tedensko vzdrževanje (Vsakih 10–25 ur.)	Mesečno vzdrževanje (Vsakih 25–40 ur.)
Očistite zunanje dele stroja.	Preglejte zaganjalnik, pripadajočo vrvico in povratno vzmet.	Preverite zavoro za obrabo. Zamenjati, ko ostane manj kot 0,6 mm na najbolj obrabljeni točki.
Preverite, če je delovanje vseh delov ročice za plin varno. (Zapora plina in ročica za uravnavanje plina).	Prepričajte se, da elementi za dušenje tresljajev niso poškodovani.	Preglejte center, boben in vzmet sklopke in bodite pozorni na znake obrabljenosti.
Očistite zavoro verige in kontrolirajte, če je njeno delovanje varno. Preverite, če je lovilec verige nepoškodovan; v nasprotnem primeru ga nemudoma zamenjajte.	Po potrebi odpilite srh z robov meča.	Očistite svečko. Preverite, da je razmik med elektrodama 0,5 mm.
Meč vsak dan obrnite, zato da se bo enakomerno obrabil. Preverite, da odprtina za mazanje na meču ni zamašena. Očistite žleb za verigo. Če ima meč sprednje kolo, ga namažite.	Očistite komoro uplinjača.	Očistite zunanost uplinjača.
Preverite, če oljna črpalka maže meč in verigo zadostno.	Očistite zračni filter. Po potrebi ga zamenjajte.	Preglejte filter za gorivo in dovodno cev. Po potrebi ju zamenjajte.
Preverite ali so na verigi vidne razpoke med členi in zakovicami, ali je veriga trda oz. ali so členi in zakovice zelo obrabljeni. Po potrebi zamenjajte.		Izpraznite rezervoar za gorivo in ga očistite odnotraj.
Nabrusite verigo in preverite njeno napetost ter stanje. Preverite obrabljenost pogonskega zobnika in ga po potrebi zamenjajte.		Izpraznite rezervoar za olje in ga očistite odnotraj.
Očistite dovod zraka za zaganjalnik.		Preglejte vse kable in priključke.
Kontrolirajte, če so vse matice in vijaki temeljito priviti.		
Preglejte, če stop stikalo deluje.		
Prepričajte se, gorivo ne izteka iz motorja, posode za gorivo ali cevke za gorivo.		

Tehnični podatki

	CS 2234	CS 2238
Motor		
Gibna prostornina valja, cm ³	38	38
Takt, mm	32	32
Prosti tek, rpm	3000	3000
Moč, kW	1,4/9000	1,5/9000
Sistem vžiga		
Svečka	Champion RCJ 7Y	Champion RCJ 7Y
Odprtina elektrode, mm	0,5	0,5
Sistem za gorivo in mazanje		
Kapaciteta rezervoarja za gorivo, litri	0,3	0,3
Zmogljivost oljne črpalke pri 8.500 v/min, ml/min	7	7
Prostornina posode za olje, l	0,19	0,19
Tip oljne črpalke	Avtomatska	Avtomatska
Teža		
Motorna žaga brez meča in verige in s praznimi posodami za gorivo, kg	4,7	4,7
Emisije hrupa (glejte op. 1)		
Moč hrupa, izmerjena dB(A)	115	115
Moč hrupa, zagotovljena L _{WA} dB(A)	118	118
Zvočni nivoji (glejte op. 2)		
Enakovredna raven zvočnega tlaka pri užesu upravljavca, dB(A)	100,6	100,6
Ekvivalenca nivojev vibracij, a_{hveq} (glejte opombo 3)		
Sprednji ročaj, m/s ²	3,7	3,7
Zadnji ročaj, m/s ²	5,1	5,1
Veriga/meč		
Standardna dolžina meča, cole/cm	14/35, 16/40	14/35, 16/40
Priporočljive dolžine meča, cole/cm	14/35, 16/40	14/35, 16/40
Uporabna dolžina reza, cole/cm	13,5/34, 15,5/39	13,5/34, 15,5/39
Korak verige, cole/mm	3/8 / 9,52	3/8 / 9,52
Debelina pogonskega člena, cole/mm	0,050/1,3	0,050/1,3
Tip pogonskega zobnika/število zob	6	6
Hitrost verige pri najvišji moči, m/s	17,1	17,1

Op. 1: Emisija hrupa v okolico merjena kot zvočni efekt (L_{WA}) v skladu z EG direktivo 2000/14/EG.


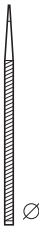

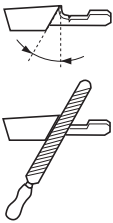

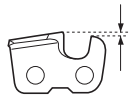
Opomba 2: Ekvivalenca nivoja zvočnega tlaka, skladna z ISO 22868, je izračunana kot celotna, časovno ponderirana vsota energije za različne nivoje zvočnega tlaka pod različnimi delovnimi pogoji. Tipična statistična razpršitev za ekvivalenco nivoja zvočnega tlaka je standarden odklon v vrednosti 1 dB (A).

Opomba 3: Ekvivalenca nivoja vibracij, skladna z ISO 22867, je izračunana kot celotna, časovno ponderirana vsota energije za nivoje vibracij pod različnimi delovnimi pogoji. Sporočeni podatki za ekvivalenco nivoja vibracij imajo tipično statistično razpršitev (standardni odklon) v vrednosti 1 m/s².

Kombinacije meča in verige

Za modele Jonsered CS 2234 in CS 2238 so odobreni naslednji rezalni priključki.

Meč				Veriga	
Dolžina, cole	Korak verige, cole	Širina utora, mm	Maks. število zob na zobniku meča	Tip	Dolžina pogonskega zobnika (št.)
14	3/8	1,3	7T	Jonsered H37	52
16	3/8		7T		56
18	3/8		7T		62

					
	inch/mm				inch/mm
H37	5/32/4,0	80°	30°	0°	0.025/0,65

EU-zagotovilo o ujemanju

(Velja le za Evropo)

Husqvarna, SE-561 82 Huskvarna, Švedska, tel +46-36-1 46500, s tem potrdilom zagotavlja, da so motorne žage **Jonsered CS 2234 in CS 2238** s serijskimi številkami iz leta 2009 in kasneje (leto izdelave, ki mu sledi serijska številka, je podano v besedilu na ploščici s tipsko oznako) v skladu s predpisi, podanimi v DIREKTIVI SVETA:

- z dne 17. maja 2006, ki se nanaša na stroje, 2006/42/ES
- z dne 15. decembra 2004 "za elektromagnetsko skladnost" **2004/108/EEC**.
- z dne 8. maja 2000 "za emisijo hrupa v okolico" **2000/14/EG**.

Za informacije v zvezi z emisijo hrupa glejte poglavje Tehnični podatki. Uporabljeni so bili naslednji standardi: **EN ISO 12100-2:2003, CISPR 12:2001, EN ISO 11681-1:2004**

Pristojni organ: **0404, SMP Svensk Maskinprovning AB**, Fyrisborgsgatan 3, SE-754 50 Uppsala, Švedska, je izvedel EG-tipsko kontrolo v skladu z direktivo o strojih (2006/42/EG), člen 12, točka 3b. Potrdilo o EG-tipski kontroli v skladu s prilogo IX, ima številko: **0404/09/2048**.

Nadalje je SMP Svensk Maskinprovning AB, Fyrisborgsgatan 3, SE-754 50 Uppsala, Švedska, potrdil ujemanje z dodatkom V k direktivi sveta z dne 8. maja 2000 "za emisijo hrupa v okolico" 2000/14/EG. Certifikati imajo naslednje številke: **26/161/003 - CS 2234, 26/161/004 - CS 2238**.

Dobavljena motorna žaga se ujema z vzorcem, ki je bil podvržen tipski kontroli EU.

Huskvarna, 29 decembra 2009



Ronnie E. Goldman, Tehnični direktor. (Pooblaščen predstavnik za Husqvarna AB in odgovorni za tehnično dokumentacijo).

Tisztelt vásárlónk!

Gratulálunk most vásárolt Jonsered-termékéhez!

Meggyőződésünk, hogy Ön sokáig elégedett lesz termékünk minőségével és teljesítményével. Azáltal, hogy nálunk vásárol, Ön szükség esetén professzionális javítási és szerviz-segítséget kap. Ha a vásárlás nem elismert viszonteladónál történt, forduljon a legközelebbi szervizműhelyhez.

Reméljük, elégedett lesz gépével, és hogy az sokáig segítőtársa lesz a munkában. Gondoljon arra, hogy ez a használati utasítás egy értékpapír. Tartalmát követve (használat, szerviz, karbantartás stb.) a gép élettartama, sőt másodkezes, használt értéke is jelentősen megnövelhető. Ha Ön eladja gépét, a használati utasítást is adja át az új tulajdonosnak.

Sok sikert kívánunk a Jonsered-termék használatához!

A Jonsered folyamatosan dolgozik termékei továbbfejlesztésén, és ezért fenntartja a jogot arra, hogy többek között a termékek formáján és külsején előzetes tájékoztatás nélkül változtasson.

A gépen látható szimbólumok:

VIGYÁZAT! A motorfűrészek veszélyesek lehetnek! Óvatlan vagy helytelen használatuk a kezelő vagy más személyek súlyos sérülését illetve halálos balesetét is okozhatja.

Olvassa el figyelmesen a használati utasítást, és győződjön meg róla, hogy megértette azt, mielőtt a gépet használatba veszi.

Viseljen mindig:

- Jóváhagyott védősisakot
- Jóváhagyott hallásvédőt
- Védőszemüveg vagy arcvédő maszk

Ez a termék megfelel a CE-normák követelményeinek.

A környezet zajszennyezése az Európai Gazdasági Közösség direktívája szerint. A gép zajkibocsátása a Műszaki adatok című fejezetben és a címkén szerepel.

Használat közben két kézzel kell fogni a láncfűrészt.

Soha ne használja a láncfűrészt egy kézzel tartva.

Ügyeljen rá, hogy a vezetőlemez csúcsa semmihez ne érjen hozzá.

VIGYÁZAT! Ha a vezetőlemez csúcsa egy másik tárgyval kerül érintkezésbe, visszacsapódás következhet be, amely a vezetőlemezt felfelé, és a gépkezelő irányába visszafelé löki. Ennek az eredménye súlyos személyi sérülés lehet.

Láncfék, aktiválva (bal)
Láncfék, nem aktiválva (jobb)



A gépen szereplő többi jel/címke egyes piacok specifikus vizsgáztatási követelményeire vonatkozik.

Mi micsoda a motorfűrészzen? (1)

- 1 Tájékoztató és figyelmeztető címke
- 2 Motorházfedél
- 3 Üzemanyagpumpa
- 4 Indítófogantyú
- 5 Szívatógomb/Indítógáz–kapcsoló
- 6 Leállítógomb (Gyújtás be–kikapcsoló.)
- 7 Hátsó fogantyú
- 8 Üzemanyagtartály
- 9 Porlasztó beállító csavar
- 10 Indítószervezet
- 11 Láncolajtartály
- 12 Termék- és gyártási számot tartalmazó címke
- 13 Gázadagoló–retesz (Megakadályozza a gázadagológomb véletlen megnyomását.)
- 14 Első fogantyú
- 15 Biztonsági fékkar
- 16 Kipufogódob
- 17 Vezetőlemez
- 18 Orrkerék
- 19 Fűrészlánc
- 20 Támasztókörm
- 21 Láncfogó
- 22 Láncfeszítő csavar
- 23 Kuplungfedél
- 24 Hátsó markolat jobb oldalsó kézvédővel
- 25 Gázadagológomb
- 26 Használati utasítás
- 27 Kombinált kulcs
- 28 Láncvédő tok

Tartalomjegyzék

BEVEZETÉS

Tisztelt vásárlónk!	243
A gépen látható szimbólumok:	243
Mi micsoda a motorfűrészzen?	244

TARTALOMJEGYZÉK

Tartalomjegyzék	244
-----------------------	-----

ÁLTALÁNOS BIZTONSÁGI INTÉZKEDÉSEK

Az új fűrész használatbavétele előtti teendők	245
Fontos	245
Mindig próbáljon előrelátóan gondolkodni.	245
Személyi védőfelszerelés	246
A gép biztonsági felszerelése	246
Vágószervezet	247

ÖSSZESZERELÉS

A vezetőlemez és a lánc felszerelése	251
--------------------------------------------	-----

ÜZEMANYAGKEZELÉS

Üzemanyagkeverék	251
Tankolás	252
Üzemanyagbiztonság	252

BEINDÍTÁS ÉS LEÁLLÍTÁS

Beindítás és leállítás	253
------------------------------	-----

MUNKATECHNIKA

Használat előtt:	254
Általános munkavédelmi utasítások	254
Hogyan kerüljük el a visszarúgást	257

KARBANTARTÁS

Általános tudnivalók	258
A porlasztó beállítása	258
A motorfűrész biztonsági felszerelésének vizsgálata, karbantartása és szervizelése	258
Kipufogódob	259
Levegőszűrő	259
Gyújtógyertya	259
Karbantartási séma	260

MŰSZAKI ADATOK

Műszaki adatok	261
Vezetőlemez és lánc kombinációk	262
Termékazonossági EGK–bizonyítvány	262

Az új fűrész használatbavétele előtti teendők

- Olvassa el figyelmesen a használati utasítást.
- (1) – (50) a 2–5. oldalon található adatokra vonatkoznak.
- Ellenőrizze a vágószerkezet felszerelését és beállítását. Lásd az Összeszerelés című fejezetben szereplő utasításokat.
- Töltse fel és indítsa be a láncfűrész. Lásd az "Üzemanyag-kezelés" és az "Indítás és leállítás" címszó alatti útmutatást.
- Ne használja a motorfűrész, mielőtt a fűrészlánc elegendő lánckenő olajat nem kapott. Lásd a Vágószerkezet kenése című fejezetben szereplő utasításokat.
- Hosszú távon a tartós zajártalom maradandó halláskárosodást okozhat. Ezért mindig használjon megfelelő zaj elleni fülvédőt.



VIGYÁZAT! A gép eredeti kivitelezésén a gyártó cég engedélye nélkül semmilyen módosítást sem szabad végezni. Használjon mindig eredeti pótalkatrészeket. Nem engedélyezett módosítások és/vagy pótalkatrészek komoly sérülésekhez vagy halálos balesetekhez vezethetnek.



VIGYÁZAT! A motorfűrész vigyáztalan vagy helytelen használat esetén veszélyes szerszám lehet, amely komoly, sőt halálos sérüléseket is okozhat. Nagyon fontos, hogy elolvassa és megértse e használati utasítás tartalmát.



VIGYÁZAT! A hangtompító belsejében rákkeltő vegyi anyagok is lehetnek. Ügyeljen arra, hogy a hangtompító esetleges sérülésekor ne érintse meg ezeket az anyagokat.



VIGYÁZAT! A láncolajgőzök, a fűrészpor és a motor kipufogógázainak hosszas belégzése veszélyeztetheti az egészséget.



VIGYÁZAT! A gép működés közben elektromágneses mezőt hoz létre. Ez bizonyos körülmények esetén hatással lehet az aktív vagy passzív orvosi implantátumokra. A súlyos vagy halálos sérülés kockázatának csökkentése érdekében azt javasoljuk, hogy az orvosi implantátumot használó személyek a gép alkalmazása előtt kérjék ki orvosuk vagy az orvosi implantátum gyártójának tanácsát.

Fontos

FONTOS!

A gép kizárólag fa vágására használható. Csak a "Műszaki adatok" fejezetben ajánlott vezetőlemez–fűrészlánc-kombinációkat használja.

Soha ne használja a gépet, ha fáradt, ha alkoholt fogyasztott, vagy ha látását, ítéletképességét vagy mozgáskoordinációját befolyásoló gyógyszert vett be. Viseljen személyi védőfelszerelést. Lásd a Személyi védőfelszerelés című fejezetben szereplő utasításokat. Ne változtassa meg a gép eredeti kivitelét, és ne használja a gépet, ha láthatóan valaki más módosításokat hajtott végre rajta.

Soha ne használjon olyan gépet, amely hibás. Végezze el az ebben a használati utasításban előírt ellenőrzési, karbantartási és szervizmunkálatokat. Bizonyos karbantartási és szervizmunkákat szakképzett szerelőnek kell elvégeznie. Lásd a Karbantartás című fejezetben szereplő utasításokat. Soha ne használjon más tartozékot, mint az ebben a használati utasításban javasoltakat. Lásd a Vágószerkezet és a Műszaki adatok című fejezetekben szereplő utasításokat.

FIGYELEM! A repülő tárgyak által okozott sérülések elkerülése érdekében mindig viseljen védőszemüveget vagy –maszkot. A láncfűrészek nagy erővel képesek elrepíteni tárgyakat, például faszilánkokat vagy kisebb fadarabokat. Ennek az eredménye súlyos sérülés, főleg szemsérülés lehet.



VIGYÁZAT! A motor zárt, illetve nem megfelelő szellőzésű helyiségben történő járataa fulladáshoz illetve szén-monoxid mérgezéshez vezethet és halálos kimenetelű lehet.



VIGYÁZAT! A hibás vágóberendezés vagy a helytelen vezetőlemez–lánc-kombináció növeli a visszacsapódás kockázatát! Csak az ajánlott vezetőlemez–lánc-kombinációkat használja, és tartsa be a feltöltésre vonatkozó utasításokat. Lásd a "Műszaki adatok" című fejezetben található útmutatást.

Mindig próbáljon előrelátóan gondolkodni. (2)

Lehetetlen a láncfűrész használatakor előforduló összes elképzelhető helyzetet ismertetni. Mindig megfontoltan és előrelátóan tevékenykedjen. Kerülje az olyan helyzeteket, amelyek saját megítélése szerint meghaladják a képességeit. Ha a jelen útmutató elolvasása után is bizonytalanok érzik magukat az üzemeltetési eljárásokkal kapcsolatban, a folytatás előtt kérje ki szakértő véleményét. Ha a fűrész használatáról kérdéseire vannak nyugodtan forduljon a kereskedőhöz vagy hozzánk. Szívesen állunk rendelkezésére, hogy tanácsot és segítséget nyújtsunk a fűrész hatékony és biztonságos használatához. Ha lehet, végezzen el egy, a láncfűrész használatával kapcsolatos tanfolyamot. Az oktatási anyagokról és tanfolyamokról a kereskedő, az erdészeti iskolák vagy a könyvtárak tudnak tájékoztatást adni. Folyamatosan dolgozzon a berendezések és a technológia fejlesztésén – a fejlesztések fokozzák a biztonságot és a hatékonyságot. Érdeklődjön rendszeresen a kereskedőnél, hogy megtudhassa, milyen előnyöket nyújthatnak az Ön számára az időközben megvalósított új funkciók.

Személyi védőfelszerelés



VIGYÁZAT! A legtöbb baleset úgy történik a motorfűrészzel, hogy a lánc megsérti a kezelőt. Amikor a gépet használja, viseljen mindig jóváhagyott személyi biztonsági felszerelést. A személyi biztonsági felszerelés nem küszöböli ki a sérülések kockázatát, de csökkenti a sérülés mértékét, ha bekövetkezik a baleset. A megfelelő felszerelés kiválasztásához kérje kereskedő segítségét.

- Jóváhagyott védősisakot
- Hallásvédő
- Védőszemüveg vagy arcvédő maszk
- Védőbetétes kesztyű
- Vágásbiztos nadrág
- Védőbetétes csizma, acéllemez lábujjvédővel és csúszásgátló talppal
- Mindig legyen a közelben elsősegélykészlet.
- Tűzoltókészülék és lapát

A ruháknak általában testhezállónak kell lenniük, anélkül, hogy akadályoznák a mozgást.

FONTOS! A hangfogóból, a pengéről, a láncról vagy más helyekről szikrák pattanhatnak ki. Szükség esetére mindig tartson a keze ügyében tűzoltó-felszerelést. Így segíthet az erdőtüzek megelőzésében.

A gép biztonsági felszerelése

Ez a szakasz a gép biztonsági funkcióit és azok működését ismerteti. Az ellenőrzésről és a karbantartásról a "Láncfűrész biztonsági berendezéseinek ellenőrzése, karbantartása és szervizelése" című fejezet tartalmaz tudnivalókat. A gép részegységeinek helyét lásd a "Mi micsoda?" című fejezetben.

Ha a gép karbantartását nem megfelelően végzik, illetve a javítási és szervizmunkálatokat nem képzett szakemberrel végeztetik el, a gép balesetveszélyessé válhat és várható élettartama is csökkenhet. További információért forduljon a legközelebbi szakszerviz munkatársaihoz.



VIGYÁZAT! Soha ne használja a gépet hibás biztonsági felszerésekkel. A biztonsági felszerések ellenőrzést és karbantartást igényelnek. Lásd az útmutatást a "Láncfűrész biztonsági berendezéseinek ellenőrzése, karbantartása és szervizelése" című fejezetben. Ha a gép nem felel meg az összes ellenőrzésen, vigye el javításra szervizbe.

Láncfék és biztonsági fékkart

A láncfűrészben láncfék van, amelynek feladata a lánc megállítása visszacsapódás esetén. A láncfék ugyan csökkenti a balesetek kockázatát, megakadályozni azonban csak Ön tudja azokat.

Használja elővigyázattal a láncfűrész, és gondoskodjon arról, hogy a vezetőlemez visszarúgási zónájába ne kerüljenek tárgyak.

- A láncfék (A) vagy manuálisan (bal kézzel), vagy a tehetetlenségi kioldómechanizmus útján lép működésbe. **(3)**
- Ha a biztonsági fékkart (B) előretoljuk, a fék működésbe lép. **(3)**
- Ez a mozdulat egy rugós szerkezetet hoz működésbe, amely a fékszalagot (C) ráfeszíti a motor láncvezérlő rendszerére (kapcsolódob) (D). **(4)**
- A biztonsági fékkart nemcsak arra tervezték, hogy működésbe hozza a láncfékét. Egy másik fontos biztonsági feladata megakadályozni azt, hogy a lánc a bal kézhez érjen, ha az első fogantyú kicsúszna a kezéből.
- A láncfűrész indításakor működésbe kell hozni a láncfékét, hogy a lánc ne kezdjen forogni.
- A láncfékét indításkor, illetve kisebb távolságokon történő áthelyezéskor "parkolófékként" használhatja, így megakadályozhatja a baleseteket, ha fennáll annak kockázata, hogy a lánc egy közelben levő személyt vagy tárgyat talál el.
- A láncfék kiengedéséhez a fékkart hátra, az első fogantyú felé kell húzni.
- A visszarúgás nagyon hirtelen és heves lehet. A legtöbb visszarúgás azonban enyhébb jellegű, és nem mindig hozza működésbe a láncfékét. Ilyenkor határozottan kell tartani a láncfűrész és nem kiengedni azt a kézből.
- A láncfék kézi vagy automatikus működésbe hozatala a visszarúgás erejétől függ, valamint attól, hogy a fűrész milyen helyzetben van ahhoz a tárgyhoz képest, amely a vezetőlemez visszarúgási zónájába ér.
Ha erős visszacsapódás történik, amikor a vezetőlemez visszacsapódási zónája a kezelőtől a legtávolabbra esik, a láncfék működésbe lép az ellensúlynak a visszacsapódás irányába történő elmozdulása hatására (a tehetetlenség miatt).
- Ha a visszarúgás kevésbé heves, és a vezetőlemez visszarúgási zónája közelebb van a kezelőhöz, akkor a féket a bal kéz elmozdulása fogja működésbe hozni.
- A fa döntések a bal kéz olyan helyzetben van, amely nem teszi lehetővé a láncfék manuális működésbe hozását. Ilyen fogásnál, amikor a bal kéz úgy helyezkedik el, hogy ne befolyásolhassa az első kézvédő mozgását, a láncfékét csak a tehetetlenségi erő tudja működésbe hozni.

A kezem mindig működésbe hozza a láncfékét visszacsapódás esetén?

Nem. A visszacsapódás-védő előre történő elmozdításához kifejezetten erőt kell kifejtenie. Ha a kéz csak könnyedén érinti a visszacsapódás-védőt, vagy ha csak csúszni rajta, előfordulhat, hogy az erő nem elég a láncfék kioldásához. Munka közben mindenképpen fogja erősen a láncfűrész fogantyúját. Ha így használja, és visszacsapódás történik, előfordulhat, hogy Ön egyáltalán nem engedi el az első fogantyút, és nem hozza működésbe a láncfékét, vagy esetleg a láncfék addig nem lép működésbe, amíg a fűrész jelentős mértékben ki nem mozdul. Ilyen helyzetben előfordulhat, hogy a láncfék nem tudja leállítani a láncot, mielőtt az eltálnála Önt.

Munka közben bizonyos helyzeteknél előfordulhat, hogy a kéz nem éri el a visszacsapódás-védőt a láncfék működésbe hozásához, például amikor a fűrész fadöntési helyzetben van.

A láncfék tehetetlenségi mechanizmusa minden esetben működésbe lép visszacsapódásnál?

Nem. Mindenekelőtt a féknek működőképesnek kell lennie. A fék ellenőrzése nem bonyolult dolog. Lásd a "Láncfűrész biztonsági berendezéseinek ellenőrzése, karbantartása és szervizelése" című fejezetben levő tudnivalókat. Javasoljuk, hogy munkakezdés előtt mindig végezze el ezt az ellenőrzést. Másrészt, a visszacsapódásnak elég erősnek kell lenni ahhoz, hogy működésbe hozza a láncfékét. Ha a láncfék túl érzékeny lenne, minden esetben működésbe lépne, és az zavarná a munkavégzést.

A láncfűrész mindig megvéd a sérülésektől, ha visszacsapódás történik?

Nem. Egyrészt, a féknek mindenekelőtt működőképesnek kell lennie ahhoz, hogy a kívánt védelmet tudja nyújtani. Másrészt, a fent leírtaknak megfelelően működésbe kell hozni, hogy visszacsapódás esetén leállítsa a fűrészláncot. Harmadrészt, a láncfék működésbe lehet hozni, de ha a vezetőlemez túl közel van a kezelőhöz, előfordulhat, hogy a féknek nem sikerül lelassítania és leállítania a láncot, mielőtt az eltalálja Önt.

Csak a kezelő és a helyes munkamódszerek küszöbölhetik ki a visszacsapódást és az azzal járó kockázatokat.

Gázadagoló-retesz

A gázszabályozó zárja úgy van kialakítva, hogy megakadályozza a véletlen gázadást. Amikor megnyomja a zárat (A) (azaz megfogja a fogantyút), az kinyitja a gázszabályozót (B). Amikor elengedi a fogantyút, a gázszabályozó és a zár egyaránt visszaáll az eredeti állásába. Ez a kialakítás azt jelenti, hogy a gép alapjárata esetén a gáz automatikusan elzáródik. (5)

Láncfogó

A láncfogót arra a célra tervezték, hogy felfogja a láncot, ha az elszakad vagy leugrik. Ez nem történhet meg, ha a láncfeszesség megfelelő (lásd az Összeszerelés című fejezetben szereplő utasításokat), valamint ha a vezetőlemez és a lánc szerveze és karbantartása is megfelelő (lásd az Általános munkavédelmi utasítások című fejezetben szereplő utasításokat).

Jobbkézvédő

Azon kívül, hogy a kezét az elszakadó vagy leugró lánctól védi, a jobbkézvédő azt is megakadályozza, hogy az ágak és a gallyak zavarják a hátsó fogantyút fogó jobb kezét.

Rezgéscsillapító rendszer

Az Ön gépe rezgéscsillapító rendszerrel van ellátva, amelyet úgy konstruáltak, hogy csökkentse a vibrációkat, és könnyebbé tegye a használatot.

A gép rezgéscsillapító rendszere csökkenti a motorblokk/vágószerkezet rezgéseinek a gép fogantyúja felé történő terjedését. A motorfűrésztest, a vágószerkezettel együtt, a fogantyúegységen függ ún. rezgéscsökkentő egységeken át. Keményfa vágásokor (a legtöbb lombhullató fa ilyen) több rezgés keletkezik, mint puhafa vágásokor (a tülevelűek nagy

része). Életlen vagy nem megfelelő lánc (nem megfelelő típusú vagy helytelenül élezett) növeli a vibrációs szintet.



VIGYÁZAT! Az erős rezgés miatt a vérkeringési zavarokban szenvedő személyeknél ér- vagy idegsérülések léphetnek fel. Forduljon orvoshoz, ha olyan tüneteket tapasztal, amelyek az erős rezgés hatására jöhetnek létre. Ezek a tünetek többek között zsibbadás, érzéskiesés, bizsergés, szúró érzés, fájdalom, erőtlenység, a bőr színének vagy felületének megváltozása. A tünetek többnyire az ujjakban, a kézben vagy a csuklóban jelentkeznek. Az alacsony külső hőmérséklet súlyosbíthatja a tüneteket.

Leállító kapcsoló

Használja a leállító kapcsolót a motor leállítására.

Kipufogódob

A hangfogót úgy tervezték, hogy csökkentse a zajszintet, és hogy a kipufogógázokat elterelje a felhasználó felől.



VIGYÁZAT! A motor kipufogógázai forróak, és lehet bennük szikra, mely tüzet okozhat. Soha ne indítsa be a gépet zárt helyiségben vagy gyúlékony anyagok közelében!

Meleg, száraz klímájú országokban nagyobb az erdőtüzek veszélye. Előfordulhat, hogy ezekben az országokban a jogszabályok előírásai és a kereskedelmi igények miatt a hangfogót "szikrafogó hálóval" (A) látjuk el. (6)



FIGYELEM! A hangfogó a használat során és után erősen felhevül. Ez az alapjárata esetében is így van. Legyen tudatában a tűzveszélynek, különösen ha gyúlékony anyag és/vagy gáz közelében dolgozik.



VIGYÁZAT! Semmiképpen ne használjon olyan láncfűrésztest, amelyiken nincs vagy hibás a hangfogó. A hibás hangfogó jelentős mértékben növeli a zajszintet és a tűzveszélyt. Legyen kéznél tűzoltó-felszerelés. Semmiképpen ne használjon olyan láncfűrésztest, amelyiken hiányzik vagy hibás a szikrafogó háló, amennyiben annak használatát kötelező az adott munkaterületen.

Vágószerkezet

Ez a fejezet leírja, hogy hogyan válassza ki és tartsa karban a vágószerkezetet, ahhoz, hogy:

- Csökkentse a visszarúgás veszélyét.
- Csökkentse a fűrészlánc szakadásának vagy megugrásának veszélyét.
- Érjen el optimális vágási teljesítményre.
- Növelje a vágószerkezet élettartamát.
- Kerülje el a rezgésszint növekedését.

Általános szabályok

- **Csak az általunk javasolt vágószerszerkezetet használja!** Lásd a "Műszaki adatok" című fejezetben található útmutatást.
- **Tartsa a lánc fogait éles állapotban. Kövesse utasításainkat, és használja az általunk javasolt reszelősablont.** Magsérült vagy hibásan kielevezett lánc növeli a baleset veszélyét.
- **Állítsa be a mélységhatároló megfelelő távolságát! Tartsa be az útmutatásokat, és használja a javasolt mélységhatároló sablont.** A túl nagyra beállított távolság növeli a visszacsapódás kockázatát.
- **Tartsa a láncot feszesen!** A nem megfelelő feszességű lánc könnyebben leugrik, és a vezetőlemez, a lánc és a csillagkerék túlzott kopásához is vezet.
- **Tartsa a vágószerszerkezet jól megkent és megfelelően karbantartott állapotban!** Egy elégtelenül olajozott lánc hajlamosabb a szakadásra és a leugrásra, és a vezetőlemez, a lánc és a csillagkerék túlzott kopásához is vezet.

A visszacsapódás minimálisra csökkentésére tervezett berendezés



VIGYÁZAT! A hibás vágóberendezés vagy a helytelen vezetőlemez-lánc-kombináció növeli a visszacsapódás kockázatát! Csak az ajánlott vezetőlemez-lánc-kombinációkat használja, és tartsa be a feltöltésre vonatkozó utasításokat. Lásd a "Műszaki adatok" című fejezetben található útmutatást.

A visszarúgás elkerülésének egyetlen módja az, ha vigyázunk arra, hogy a vezetőlemez visszarúgási zónájába soha ne kerüljön tárgy.

Azáltal, hogy "beépített" visszarúgásvédelemmel rendelkező láncot használunk, és hogy a láncot éles és jól karbantartott állapotban tartjuk, csökkenthetjük a visszarúgás hatását.

Vezetőlemez

Minél kisebb a vezetőlemez csúcsának sugara, annál kisebb a visszacsapódás kockázata.

Fűrészlánc

A fűrészlánc egy bizonyos számú láncszemből áll, amelyeket standard és kis visszarúgású változatban lehet kapni.

FONTOS! Egyetlen láncfűrész sem küszöböl ki teljesen a visszacsapódás veszélyét.



VIGYÁZAT! A forgó fűrészlánc megérintése rendkívül súlyos sérüléseket okozhat.

Néhány, a vezetőlemezt és a láncot meghatározó jellemző

A láncberendezés összes biztonsági funkciója működésének fenntartása érdekében a kopott és sérült vezetőlemez-lánc-kombinációkat cserélje le a Jonsered által ajánlott pengére és láncre. Az általunk ajánlott vezetőlemez-lánc-kombinációkkal kapcsolatos tudnivalókat a "Műszaki adatok" című fejezetben találja.

Vezetőlemez

- Hossz (tum/cm)
- Az orrkerék fogainak száma (T).
- Fűrészláncosztás (=pitch) (tum). A vezetőlemez orrkeréke és a hajtókerék fogai közötti távolságnak igazodnia kell a meghajtószemek közötti távolsághoz.
- A meghajtószemek száma (db). A meghajtószemek számát a vezetőlemez hossza, a láncosztás és az orrkerék fogainak száma határozza meg.
- A vezetőlemez nyomszélessége (tum/mm). A vezetőlemez nyomszélességének igazodnia kell a meghajtószemek vastagságához.
- Olajozónylás és a láncfeszítő csapszeg nyílása. A vezetőlemeznek igazodnia kell a motorfűrész kivitelezési változatához.

Fűrészlánc

- Fűrészláncosztás (=pitch) (tum)
- A meghajtószem vastagsága (mm/tum)
- A meghajtószemek száma (db)

A lánc élezése és a mélységhatároló távolságának állítása



VIGYÁZAT! A láncal történő munkavégzés során mindig viseljen kesztyűt, hogy védje kezét a sérülésektől.

Általános tudnivalók a vágófogak kielevezéséről

- Soha ne használjon életlen láncot. Ha a lánc életlen, nagyobb nyomást kell kifejteni a pengére, hogy átvágja a fát, és a vágások is nagyon kicsik lesznek. Ha nagyon életlen a fűrészlánc, akkor a gép nem is tud vágni. Ilyenkor csak fűrészpor termelődik.
- Az éles lánc könnyen behatol a fába, és hosszú, vastag vágásokat készít.
- A lánc vágórésztét vágószemnek nevezik, ez a vágófogból (A) és a mélységhatárolóból (B) áll. A vágó mélységet e két részegység magasságkülönbsége határozza meg. (7)

A vágófogak élezésekor négy fontos tényezőt kell szem előtt tartani.

- 1 Élezési szög
- 2 Vágószög
- 3 A reszelő állása
- 4 A korszelvényű reszelő átmérője

A megfelelő felszerelés nélkül nagyon nehéz az élezés. Javasoljuk mélységhatároló sablonunk használatát. Ez segítséget nyújt ahhoz, hogy a visszacsapódást a legnagyobb mértékben csökkentse, és a láncsal a legjobb vágási teljesítményt érje el.

A lánc élezésével kapcsolatos tudnivalókat a "Műszaki adatok" című fejezetben találja.



VIGYÁZAT! Az élezésre vonatkozó utasításoktól való eltérés nagyban növeli a visszacsapódás kockázatát.

A vágófogak élezése

A vágófogak élezéséhez hengeres és laposreszelő szükséges. A láncfűrészhez ajánlott reszelő és sablon méretével kapcsolatos tudnivalókat a "Műszaki adatok" című fejezetben levő útmutatás tartalmazza.

- Ellenőrizze, hogy a lánc feszes-e. A lazaság oldalirányban instabillá teszi a láncot, amely megnehezíti a megfelelő élezést.
- A vágófogat mindig belülről kifelé haladva élezze, csökkentve a nyomást a reszelő visszahúzásakor. Először élezze ki az egyik oldalról a fogakat, azután pedig fordítsa meg a motorfűrészét és élezze ki a fogakat a másik oldalról.
- Reszelje a fogakat egyforma méretűre. Amikor a vágófogak hosszanti mérete 4 mm-re (0,16") csökken, akkor a lánc elhasználódott és ki kell cserélni. **(8)**

Általános tudnivalók a mélységátaroló távolságának beállításáról

- A vágófog élezésekor csökken a mélységátaroló távolsága (a vágásmélység). A vágási teljesítmény fenntartásához a mélységátarolót az ajánlott magasságig vissza kell reszelni. A mélységátaroló távolságával kapcsolatban az adott láncfűrészre vonatkozó tudnivalókat a "Műszaki adatok" című fejezetben találja.



VIGYÁZAT! A visszacsapódás kockázata megnő, ha a mélységátaroló távolsága túl nagy!

A mélységátaroló távolságának beállítása

- Közvetlenül a mélységátaroló távolságának beállítás előtt a vágófogakat meg kell élezni. Azt javasoljuk, hogy a mélységátaroló távolságát minden harmadik láncélezés után állítsa be. FIGYELEM! Ez a javaslat feltételezi, hogy a vágófogak hossza nem csökken túlzott mértékben.
- A mélységátaroló távolságállításához laposreszelőre és mélységátaroló sablonra van szükség. Javasoljuk, hogy a mélységátaroló beállításához használja a sablont, hogy a távolságot pontosan tudja mérni, és a helyes oldalszöget tudja elérni.
- Helyezze a reszelősablon a fűrészláncra. A reszelősablon használatával kapcsolatos tudnivalókat a csomagoláson találja. A laposreszelő használatával reszelje le a mélységátaroló kiálló részéről a felesleget. A mélységátaroló távolsága akkor helyes, ha nem érez ellenállást, amikor a reszelőt végighúzza a sablonon.

A lánc megfeszítése



VIGYÁZAT! Egy laza lánc leugorhat, és súlyos, sőt életveszélyes sérüléseket is okozhat.



VIGYÁZAT! Használjon mindig megfelelő védőkesztyűt. Még a nem mozgó lánc is súlyos sérülést okozhat a felhasználónak, illetve a lánchoz hozzáférő más személyeknek.

Minél többet használja a láncot, az annál hosszabb lesz. Ezért fontos, hogy a lazaságot a lánc rendszeres utánafeszítésével megszüntesse.

Minden tankolásnál ellenőrizze a lánc feszességét.

FIGYELEM! Minden új láncnak van egy bejáratási ideje, ami alatt gyakrabban kell a láncfeszességet ellenőrizni.

Feszítse meg a láncot, amennyire csak lehet, de nem jobban, mint hogy kézzel szabadon körbe lehessen húzni. **(9)**

- Lazítsa meg a kombinált kulccsal a vezetőlemezt a tengelykapcsolófedélhez és a fékdobhoz rögzítő anyacsavarokat. Húzza meg azután az anyacsavarokat szabad kézzel, amennyire csak lehet. **(10)**
- Emelje meg a vezetőlemez csúcsát és feszítse meg a láncot úgy, hogy a láncfeszítő csavart meghúzza a kombinált kulccsal. Addig feszítse a láncot, amíg az már nem lóg lazán a vezetőlemez alatt. **(11)**
- A kombinált kulcsot használva húzza meg a vezetőlemez anyacsavarjait, miközben a vezetőlemez csúcsát is ezzel egyidejűleg emeli. Ellenőrizze, hogy a lánc kézzel szabadon körbehúzható-e és, hogy nem lóg-e lazán a vezetőlemez alsó felén. **(12)**

A vágószerkezet kenése



VIGYÁZAT! A vágószerkezet elégtelen kenése láncszakadást okozhat, amely súlyos, sőt életveszélyes sérülésekhez is vezethet.

Láncolaj

Az olajnak a fűrész láncán kell maradnia, és ugyanakkor meg kell őriznie folyékonyságát mind meleg időben, mind a téli hidegekben.

Mi, a láncfűrész gyártói kidolgoztuk és gyártjuk az optimális láncolajat, mely növényi alapja miatt biológiailag lebomlik. Javasoljuk, hogy használja a mi olajunkat mind a környezet kímélése, mind a élettartamának maximális meghosszabbítása céljából. Amennyiben a mi olajunk nem elérhető, használjon szabványos láncolajat.

Soha ne használja ugyanazt az olajat kétszer! Ez veszélyes a kezelőre, a gépre és a környezetre nézve egyaránt.

FONTOS! Növényi láncolaj használata esetén hosszabb idejű tárolás előtt szerelje le a vezetőlemezt, tisztítsa meg rajta a hornyot és a fűrészláncot. Ellenkező esetben a láncolaj oxidálódhat, amitől a fűrészlánc merevvé válhat és a vezetőlemezen beragadhat az orrkerék.

A láncolaj utánatöltése

- Minden motorfűrészmodellünk automata lánckenő rendszerrel rendelkezik. Bizonyos modelleknél az olaj hozama is szabályozható.
- A fűrészlánc olajtartálya és az üzemanyagtartály úgy van kialakítva, hogy előbb fogyjon el az üzemanyag, mint a fűrészláncot kenő olaj.

Ez a biztonsági funkció azonban megköveteli a megfelelő láncolaj használatát (ha az olaj túl viszkózus, hamarabb kifogy, mint az üzemanyag), valamint a karburátor előírás szerinti beállítását (ha gyenge a keverék, előfordulhat, hogy az üzemanyag tovább tart ki, mint a kenőolaj). Továbbá az ajánlott vágóeszközöket kell használnia (a túlságosan hosszú vezetőlappal több láncolajat fogyaszt).

A lánccsúcs ellenőrzése

- Minden tankolásnál ellenőrizze a lánccsúcsot. Lásd a "Vezetőlemez csúcsának kenése" című fejezetben levő útmutatást.

Tartsa a vezetőlemez csúcsát egy világos felület irányába, attól kb. 20 cm-re (8 tum). Háromnegyed gázzal történő, egy percnyi működtetés után a világos felületen egy jól kivehető olajcsíkot kell látnia.

Ha a lánccsúcs nem működik:

- Ellenőrizze, hogy a vezetőlemez olajcsatornája nincs-e eldugulva. Tisztítsa ki, ha szükséges.
- Ellenőrizze, hogy a vezetőlemezen tiszta-e a vezetőhorony. Tisztítsa ki, ha szükséges.
- Ellenőrizze, hogy az orrkerek szabadon forog-e, és hogy a csúcson lévő kenőnyílás nincs-e eldugulva. Tisztítsa meg és kenje meg, ha szükséges.

Ha a fentieket elvégezte és a lánccsúcs rendszer mégsem működik, akkor szervizműhelyhez kell fordulnia.

A lánccsúcs meghajtókereke

A kuplungdob Spur lánccsúcsokkal van felszerelve (a lánccsúcsokat a dobra hegesztették).

Ellenőrizze rendszeresen a meghajtókerek kopásának mértékét. Túlzott kopás esetén cserélje ki azt. Amikor lánccsúcs cserél, mindig cserélje ki a meghajtókereket is.

A vágószerkezet kopásának ellenőrzése

Naponta ellenőrizze a fűrészláncot, hogy:

- Vannak-e látható repedések a csapszegeken és a lánccsúcsokon.
- Nem merev-e a lánccsúcs.
- A csapszegek és a lánccsúcsok nem túlzottan kopottak-e.

Ha a fentiek bármelyikét tapasztalja, cserélje ki a fűrészláncot.

Javasoljuk, hogy hasonlítsa össze a használatban lévő lánccsúcsot egy újjal, és így döntse el a kopás mértékét.

Amikor a vágófogak úgy lekoptak, hogy már csak 4 mm-esek, akkor cserélje ki a lánccsúcsot.

Vezetőlemez

Ellenőrizze rendszeresen, hogy:

- A vezetőlemez élén képződött-e sorja. Ha szükséges, reszelje le azt. **(13A)**
- A vezetőlemez hornya nem túlzottan kopott-e. Ha szükséges, cserélje ki a vezetőlemezt. **(13B)**
- Hogy a vezetőlemez csúcsa nem túlzottan vagy egyenlőtlenül kopott-e. Ha a csúcs közelében, a vezetőlemez egyik élén mélyedés képződött, az laza lánccsúcs következménye.
- A vezetőlemez élettartamának növelése érdekében naponta fordítsa meg azt.



VIGYÁZAT! A legtöbb baleset úgy történik a motorfűrészszel, hogy a lánccsúcs megsérti a kezelőt.

Viseljen személyi védőfelszerelést. Lásd a Személyi védőfelszerelés című fejezetben szereplő utasításokat.

Ne vállaljon olyan munkát, amely előtt bizonytalannak érzi magát. Lásd a Személyi védőfelszerelés, Hogyan kerüljük el a visszarúgást, Vágószerkezet és Általános munkavédelmi utasítások című fejezetekben szereplő utasításokat.

Kerülje el a visszarúgás kockázatával járó helyzeteket. Lásd a gép biztonsági felszerelése című fejezetben szereplő utasításokat.

Használja a javasolt biztonsági felszerelést és ellenőrizze annak állapotát. Lásd az Általános munkavédelmi utasítások című fejezetben szereplő utasításokat.

Ellenőrizze, hogy működőképes-e minden biztonsági felszerelés. Lásd az Általános munkavédelmi utasítások és Általános biztonsági intézkedések című fejezetekben szereplő utasításokat.

A vezetőlemez és a láncc felszerelése



VIGYÁZAT! Bármilyen ellenőrzési vagy karbantartási művelet végrehajtása előtt állítsa le a motort. A stop kapcsoló automatikusan visszatér start állásba. A véletlen beindítás elkerülése érdekében szereléskor, ellenőrzéskor vagy karbantartáskor húzza le a gyertyapipát a gyújtógyertyáról.

A lánccal történő munkavégzés során mindig viseljen kesztyűt, hogy védje kezét a sérülésektől.

Ellenőrizze, hogy a láncfék kilazított állapotban van, azáltal, hogy a biztonsági fékkart az első fogantyú felé húzza.

Csavarja le a csavaranyákat és vegye le a tengelykapcsoló (láncfék) fedelét. Távolítsa el a szállítási védőgyűrűt. (A) (15)

Tegye fel a vezetőlemezt a rögzítőcsavarokra. Tolja a vezetőlemezt a leghátsó helyzetbe. Tegye fel a láncot a meghajtókerékre és a vezetőlemez vajatába. Kezdje a vezetőlemez felső élén. (17)

Ellenőrizze, hogy a vágószemek fogai a vezetőlemez felső felén előre mutatnak-e.

Erősítse fel a tengelykapcsoló-fedelet (a láncfék), és illessze a láncvezető nyílásába a láncigazító csapot. Ellenőrizze, hogy a láncc vezetőszemei megfelelően illeszkednek-e a lánckerékre, és hogy a láncc jól illeszkedik-e a lánccvezető horonyba. Szorítsa meg kézzel a lánccvezető anyát. (17)

Feszítse meg a láncot a kombinált kulcs segítségével. Csavarja a beállító csavart az óramutató járásával megegyező irányba. A láncc feszessége akkor megfelelő, ha az nem lóg lazán a vezetőlemez alsó élénél. Lásd a "Fűrészlánc feszességállítása" című fejezetben található útmutatást. (18)

A láncc feszessége akkor megfelelő, ha az nem lóg lazán a vezetőlemez alsó élénél, de kézzel továbbra is könnyen körbehúzható. Szorítsa meg a csavaranyákat a kombinált kulccsal és tartsa felfelé a vezetőlemez csúcsát. (19)

Egy új láncc feszességét gyakran kell ellenőrizni, amíg azt be nem járjuk. Ellenőrizze rendszeresen a láncc feszességet. Egy megfelelően megfeszített láncc jó vágóteljesítményt nyújt, és hosszú élettartamú lesz. (19)

A kéregtámasz felszerelése

A kéregtámasz felszereléséhez vegye fel a kapcsolatot szervizműhelyével.

Üzemanyagkeverék

Megjegyzés A gép kétütemű motorral van felszerelve, ezért mindig benzin és kétütemű olaj keverékével kell használni. A helyes keverési arány érdekében fontos a keverékhez adagolandó olaj mennyiségének pontos mérése. Kisebbs mennyiségű üzemanyag keverésekor már a kisebb pontatlanságok is jelentősen befolyásolják a keverési arányt.



VIGYÁZAT! Az üzemanyagkezelésnél gondoskodjék mindig jó szellőztetésről.

Benzin

- Használjon jó minőségű ólommentes vagy ólomtartalmú benzint.
- A javasolt legalacsonyabb oktánszám 90 (RON). Ha a motort 90-nél alacsonyabb oktánszámú benzinnel járhatja, úgynevezett kopogás léphet fel. Ez a motor felhevüléséhez és túlzott csapágyterheléshez vezet, amely súlyos motorsérüléseket okozhat.
- Ha folyamatosan magas fordulatszámmal dolgozik (például gallyazásnál), akkor magasabb oktánszámot javasolunk.

Bejáratás

Az első 10 órában ne használja hosszú ideig túl nagy sebességen.

Kétütemű olaj

- A legjobb eredmény és teljesítmény elérése érdekében használjon JONSERED kétütemű motorolajat, amely kifejezetten léghűtéses, kétütemű motorokhoz készül.
- Soha ne használjon vízhűtéses, kívül szerelt motorokhoz készült kétütemű (más néven TCW vagy "outboard" olajat).
- Soha ne használjon négyütemű motorokhoz használatos olajat.
- A gyenge minőségű olaj vagy a túlságosan erős olaj-üzemanyag keverék veszélyeztetheti a katalizátor működését, és csökkenti annak élettartamát.

Keverékarány

1:50 (2%) JONSERED kétütemű olajjal.

1:33 arány (3%) más, léghűtéses, kétütemű motorokhoz tervezett olajjal, amely megfelel a JASO FB/ISO EGB.

Benzin, liter	Kétütemű olaj, liter	
	2% (1:50)	3% (1:33)
5	0,10	0,15
10	0,20	0,30
15	0,30	0,45
20	0,40	0,60

Keverék

- A benzint és az olajat mindig tiszta, benzin számára jóváhagyott tartályban keverje.
- Kezdje mindig a szükséges benzinmennyiség felével. Töltse ehhez hozzá a teljes olajmennyiséget. Keverje (rázza) össze az üzemanyagkeveréket. Töltse hozzá a benzin hátralevő részét.

- Alaposan keverje (rázza) össze az üzemanyagkeveréket, mielőtt azt a gép üzemanyagtartályába töltené.
- Ne tartalékolja egy hónapnál tovább az üzemanyagot!
- Ha a gépet hosszabb ideig nem használja, akkor ki kell üríteni és kitisztítani az üzemanyagtartályt.

Láncolaj

- Kenőanyagként jó tapadási jellemzőkkel rendelkező különleges olaj (lánckenő olaj) használatát javasoljuk.
- Soha ne használjon fáradt olajat. Az károsítja az olajszivattyút, a vezetőlemezt és a láncot.
- Fontos, hogy a levegő hőmérsékletének megfelelő olajat használjunk (megfelelő viszkozitását).
- 0 °C alatti hőmérsékleten bizonyos olajok besűrűsödnek. Ez az olajszivattyú túlterhelését okozhatja, ami a szivattyú alkatrészeinek károsodását vonja maga után.
- A lánckenőolaj kiválasztásánál forduljon szervizműhelyhez.

Tankolás



VIGYÁZAT! A következő óvintézkedések csökkentik a tüzveszélyt:

Üzemanyag közelében ne dohányozzon és ne helyezzen el forró tárgyakat.

Feltöltés előtt kapcsolja ki a motort, és hagyja hűlni néhány percig.

A tanksapkát óvatosan nyissa ki, hogy az esetleges túlnyomás lassan kiegyenlítődhessen.

Szorítsa rá alaposan a tanksapkát tankolás után.

Mindig vigye el a gépet a tankolás helyéről beindítás előtt.

Tartsa tisztán a tanksapka környékét. Tisztítsa ki rendszeresen az üzemanyag- és a láncolajtartályt. Az üzemanyagszűrőt évente legalább egyszer ki kell cserélni. Az üzemanyagtartályba került szennyeződések üzemzavart okoznak. Győződjön meg arról, hogy a betöltendő üzemanyag jól össze van keverve. Rázza meg a tartályt tankolás előtt. Az üzemanyagtartály és a láncolajtartály ürtartalma jól egymáshoz van igazítva. Ezért mindig töltsse egyidejűleg fel az olajat és az üzemanyagot.



VIGYÁZAT! Az üzemanyag és az üzemanyagpára rendkívül gyúlékony. Az üzemanyag és a láncolaj kezelésekor legyen elővigyázatos. Ne menjen nyílt láng közelébe, és ne lélegezze be az üzemanyagködöt.

Üzemanyagbiztonság

- Soha ne próbálja a gépet működés közben megtankolni.
- Gondoskodjon bőséges szellőztetésről tankolásakor és üzemanyagkeveréskor (kétütemű motorok számára).
- Vigye el a gépet legalább 3 méterre a tankolás helyétől, mielőtt beindítaná.

- Soha ne kapcsolja be a gépet:

- 1 Ha üzemanyag vagy láncolaj került a gépre. Törölje le az üzemanyagot, illetve olajat, és várja meg, míg elpárolog teljesen.
- 2 Ha az üzemanyag ráfolyt Önre illetve a ruhájára, azonnal öltözzön át. Öblítse le azokat a testrészeket, amelyek kapcsolatba kerültek az üzemanyaggal. Használjon szappant és vizet.
- 3 Ha a gépből üzemanyag szivárog. Ellenőrizze rendszeresen, nincs-e szivárgás az üzemanyagtartály kupakjánál és az üzemanyagvezetékeken.



VIGYÁZAT! Soha ne használjon olyan gépet, amelyiken a gyújtógyertya-pipa vagy a gyújtáskábel láthatóan sérült. Szikraképződés veszélye alakul ki, amely tüzet okozhat.

Szállítás és tárolás

- Mindig tárolja a motorfűrész és az üzemanyagot szikráktól és nyílt tüztől, például gépektől, villanymotoroktól, jelfogóktól, kapcsolóktól, kazánoktól, stb. távol.
- Mindig tárolja az üzemanyagot erre a célra jóváhagyott tartályban.
- A motorfűrész tárolásakor vagy szállításakor az üzemanyagtartálynak és a láncolajtartálynak üresnek kell lennie. Kérdezze meg a helyi benzínállomásnál, hogy hová öntheti a maradék üzemanyagot és láncolajat.
- Mielőtt a gépet hosszabb időre használaton kívül helyezné, tisztítsa meg alaposan, és végeztesse el teljes szervizét.
- Szállításkor vagy tároláskor a gépre védőborítást kell szerelni, hogy az éles lánchoz ne érhessenek véletlenül hozzá személyek vagy tárgyak. Még a nem mozgó lánc is súlyos sérülést okozhat a felhasználóknak, illetve a lánchoz hozzáférő más személyeknek.
- Szállításkor rögzítse a gépet.

Hosszú távú tárolás

Az üzemanyag- és kenőolajtartályokat jól szellőző helyen őrítse ki. Az üzemanyagot ilyen célra engedélyezetten használható kannában, biztonságos helyen tárolja. Helyezze fel a láncvédőt. Tisztítsa meg a gépet. Lásd a "Karbantartási ütemezés" című fejezetben található útmutatást.

Beindítás és leállítás



VIGYÁZAT! Indítás előtt a következőkre ügyeljen:

A láncfűrész indításakor működésbe kell hozni a láncféket, hogy csökkenjen a forgó láncra való hozzáérés veszélye.

Ne indítsa be a motorfűrész, amíg a vezetőlemez, fűrészlánc és a borítások nincsenek helyesen felszerelve. A tengelykapcsoló kilazulhat és személyi sérüléseket okozhat.

Tegye le a gépet szilárd talajra. Győződjön meg róla, hogy a lánc semmihez sem ér hozzá.

Tartson minden személyt és állatot távol a munkavégzés helyétől.

Hideg motor

Beindítás: A motorfűrész beindításakor a láncféknek bekapcsolt állapotban kell lennie. A fék a visszarúgás elleni védelem előremozdításával kapcsolható be. (20)

1. Üzemanyagpumpa: Nyomogassa az üzemanyagpumpa gumilabdáját, míg az el nem kezd üzemanyaggal tölteni. A labdának nem szükséges teljesen megtelnie. (23)

2. Szívató: Húzza ki teljesen a kék szívató-, ill. fojtószelep-vezérlőt (FULL CHOKE, azaz „teljes szívató” állásba). A szívató/gyors alapjárat kar teljes kihúzásakor a megfelelő gázbeállítás automatikusan megtörténik. (21)

Indítógáz: A szívatóra állítás egyben kombinált szívató-indítógáz állást is eredményez. (22)

Beindítás

Fogja meg az első fogantyút bal kézzel. Helyezze jobb lábát a hátsó fogantyú alsó részére és nyomja a motorfűrész a talajhoz.

3. Fogja meg az indítófogantyút, húzza ki lassan jobb kézzel az indítózsínort, amíg ellenállást nem érez (az indítófogak beakadnak), majd húzza meg erősen és gyorsan, hogy a motor begyulladjon. **Soha ne tekerje rá a kezére az indítózsínort.** (25)

FIGYELEM! Ne húzza ki az indítózsínort teljesen, és ne engedje el az indítófogantyút, ha a zsínór teljesen kihúzott állapotban van. Ez a gép károsodását okozhatja.

4. Amint a motor begyújt (pöfögés hallható), nyomja a szívatókart „1/2 szívató” helyzetbe. (21)

5. Amíg a motor be nem indul, húzza erősen a zsínort. (26) Hagyja a motort fél percig melegedni, majd nyomja meg a gázadagolót a normál üresjárat beállításához.

Mivel a láncfék még mindig be van kapcsolva, a motort a lehető leghamarabb üresjárat fordulatszámra kell állítani a fojtószelep-kapcsoló egyszerű gyors megnyomásával. Ezzel megelőzhető a tengelykapcsoló, a tengelykapcsoló-dob és a fékszalag fölösleges kopása.

Megjegyzés! Aktiválja újra a láncféket úgy, hogy az előző kézzel tartott (amelyet a "PULL BACK TO RESET" felirat jelez) visszafelé nyomja az előző fogantyú irányába. A láncfűrész most használatra kész. (27)

Meleg motor

Végezze el ugyanazt az eljárást, mint hidegmotor-indításkor, de ne állítsa a szívatóvezérlőt szívatóállásba. Állítsa a fojtószelepet startállásba úgy, hogy a kék szívatóvezérlőt szívatóállásba húzza, majd újra visszanyomja. (24)



VIGYÁZAT! A láncolajgőzök, a fűrészpör és a motor kipufogógázainak hosszas belégzése veszélyeztetheti az egészséget.

- Soha ne indítsa be a motorfűrész, amíg a vezetőlemez, fűrészlánc és a borítások nincsenek helyesen felszerelve. Lásd az Összeszerelés című fejezetben szereplő utasításokat. Ha a vezetőlemez és a lánc nincs felszerelve a láncfűrészre, a kuplung kilazulhat, és súlyos sérülést okozhat. (28)
- A láncfűrész indításakor működésbe kell hozni a láncféket. Lásd az "Indítás és leállítás" című fejezetben található útmutatást. Soha ne indítsa a láncfűrész fél kézzel elrántva. Ez a módszer rendkívül veszélyes, mert könnyen elveszítheti az uralmát a láncfűrész felett. (29)
- Soha ne indítsa be a gépet házon belül. A kipufogógázok veszélyesek lehetnek.
- Figyelje a környezetet és győződjön meg róla, hogy nem áll fenn annak a veszélye, hogy személyek vagy állatok a vágóeszköz közelébe kerülhetnek.
- A láncfűrész mindig két kézzel fogja. Jobb kezét tartsa a hátsó markolaton, bal kezét az előző markolaton. **Ezt a fogást kell alkalmaznia minden felhasználónak, jobb- és balkezeseknek egyaránt.** Tartsa erősen a fogantyút úgy, hogy hüvelykujja és többi ujjá ráfeküdjön a láncfűrész fogantyújára. (30)

Leállítás

Állítsa le a motort a leállítógomb megnyomásával. (31)

Használat előtt: (32)

- 1 Ellenőrizze, hogy láncfék megfelelően működik-e, és sértetlen-e.
- 2 Ellenőrizze, hogy a hátsó jobbkézvédő nem sérült-e.
- 3 Ellenőrizze, hogy a gázsabályozó zár megfelelően működik-e és nem sérült-e.
- 4 Ellenőrizze, hogy a leállító kapcsoló megfelelően működik és nem sérült-e.
- 5 Ellenőrizze, hogy minden fogantyú zsírtalan-e.
- 6 Ellenőrizze, hogy a rezgéscsillapító rendszer működik-e és nem sérült-e.
- 7 Ellenőrizze, hogy a hangtompító megfelelően van-e rögzítve és nem sérült-e.
- 8 Ellenőrizze, hogy a motorfűrésznek minden része meg van-e húzva és hogy azokon nincs-e sérülés, illetve hogy nem hiányoznak-e.
- 9 Ellenőrizze, hogy a láncfogó a helyén van-e és sértetlen-e.
- 10 Ellenőrizze a lánc feszességét.

Általános munkavédelmi utasítások

FONTOS!

Ez a fejezet a motorfűrészsel végzett munkára vonatkozó alapvető munkavédelmi szabályokat tárgyalja. Ez a tájékoztató nem helyettesítheti a szakmai ügyességet és tapasztalatot. Ha olyan helyzetbe kerül, amelyben bizonytalannak érzi magát, álljon le a munkával és kérjen útbaigazítást egy szakértőtől. Forduljon motorfűrész-szakülethez, márkaszervizhez vagy egy tapasztalt motorfűrész-használóhoz. Ne próbálkozzon olyan munkával, amelyhez úgy véli, nincs elegendő szaktudása! A motorfűrész használatba vétele előtt meg kell értenie, hogy mi a visszarúgás, és hogyan kerülhető el. Lásd a Hogyan kerüljük el a visszarúgást című fejezetben szereplő utasításokat.

Mielőtt a fűrész használatba venné, meg kell értenie a vágószerszert felső és alsó élével végzett vágás közötti különbséget. Lásd az útmutatást "A visszacsapódás elkerülése" és "A gép biztonsági berendezései" című fejezetben.

Viseljen személyi védőfelszerelést. Lásd a Személyi védőfelszerelés című fejezetben szereplő utasításokat.

Alapvető munkavédelmi szabályok

- 1 Figyelje környezetét:
- Hogy meggyőződjön arról, hogy nincsenek személyek, állatok, vagy olyan tárgyak a közelben, amelyek befolyásolhatják a gép fölötti uralmát.
- Hogy meggyőződjön arról, hogy a fentiek nem kerülhetnek a fűrészlánc hatósugarába, és a ledőlő fák által sem sérülhetnek meg.

FIGYELEM! Kövesse a fenti utasításokat, de ne használjon motorfűrész t olyan helyzetben, ahol nincs alkalma segítséget hívni, ha baleset történik.

- 2 Ne használja a fűrész rossz időben, például sűrű ködben, erősen zuhogó esőben, erős szélben vagy nagy hidegben, stb. A hideg időben végzett munka fárasztó, és gyakran

kockázatokkal is jár, például jeges talaj, előre ki nem számítható dőlési irány, stb.

- 3 Legyen nagyon elővigyázatos vékony ágak vágásakor, és kerülje a bokrok (azaz sok kis ág egyidejűleg történő) vágását. A lánc a vékony ágakat bekaphatja és a kezelő felé dobhatja, ezzel súlyos személyi sérüléseket okozva.
- 4 Gondoskodjon róla, hogy stabilan álljon, és járása biztos legyen. Nézzon körül és ellenőrizze lehetséges akadályok (például gyökerek, kövek, gödrök, árkok, stb.) jelenlétét, arra az esetre, ha hirtelen el kellene mozdulnia. Lejtős helyeken nagy elővigyáza
- 5 Legyen rendkívül óvatos a feszített törzsek fűrészélezésekor. Egy feszített törzs fűrészelés közben és után is visszaurorhat eredeti helyzetébe. Ha Ön helytelenül helyezkedik el, illetve nem jó helyen kezdi a fűrészélést, a fa Önre vagy a gépre zuhanhat, és Ön elveszítheti a kontrollt. Mindkét eset súlyos személyi sérüléseket okozhat.
- 6 Mielőtt arébb viszi a láncfűrész, állítsa le a motort és rögzítse le a fékkarral a láncot. A fűrész úgy vigye, hogy a vezetőlemez és a lánc hátrafelé mutasson. Tegye rá a láncvédőt a vágószerszerezetre, ha a fűrész szállítja illetve hosszabb távolságra v
- 7 Amikor a láncfűrész t leteszi a földre, reteszelve a láncfék használatával, és mindenképpen folyamatosan tartsa szemmel a gépet. Ha bármilyen hosszú időre magára hagyja a láncfűrész, kapcsolja ki a motort.



VIGYÁZAT! Néha faforgács szorul a tengelykapcsoló fedele alá, és ezért a lánc elakad. Tisztítás előtt mindig állítsa le a motort.

Általános szabályok

- 1 Ha megérti azt, hogy mi a visszarúgás, és hogyan történik, akkor csökkentheti vagy kiküszöbölheti a meglepetést. A visszarúgás rendszerint eléggé enyhé, de néha nagyon hirtelen és heves is lehet.
- 2 Mindig fogja szilárdan a motorfűrész, a jobb kézzel a hátsó, bal kézzel az első fogantyút. Fogja körül az ujjaiával és a hüvelykujjával a fogantyút. Alkalmazza ezt a fogást, akár jobbkézes, akár pedig balkezese. Ez a fogás csökkenti a visszarúgás hatását és lehetővé teszi, hogy megőrizze uralmát a motorfűrész fölött. **Ne engedje el a fogantyúkat!**
- 3 A legtöbb visszarúgás baleset gallyazáskor történik. Gondoskodjon róla hogy szilárdan álljon, és hogy semmi se legyen az útjában, amin megcsúszhat vagy amin elveszítheti az egyensúlyát.

Figyelmetlenség visszarúgásához vezethet, ha a vágószerszert visszarúgási zónája véletlenül egy ághoz, egy közeli fához vagy valamilyen más tárgyhoz ér.

Folyamatosan figyeljen a munkadarabra. Ha a vágni kívánt darabok kisméretűek és könnyűek, beragadhatnak a fűrészláncba, és a kezelő felé repülhetnek. Bár ez nem feltétlenül jelent veszélyt, mégis előfordulhat, hogy a váratlan helyzetben a kezelő elveszti uralmát a fűrész felett. A halomba rakott rönköket vagy ágakat mindig úgy reteszelve, hogy azokat előbb szétválasztja egymástól. Egyszerre csak egy rönköt vagy fadarabot fűrészljen. A lefűrészelt darabokat a munkaterület biztonsága érdekében távolítsa el.

- Soha ne használja a motorfűrész vállmagasság fölött, és próbálja elkerülni azt, hogy a vágószerkezet csúcsával vágjon. Soha ne használja a motorfűrész egy kézzel! (33)**
- Hogy ne veszítse el uralmát a motor fűrész fölött, álljon stabilan. Soha ne dolgozzon létrán állva, fa tetején, illetve olyan helyen, ahol nem stabil a talaj. (34)
- Használjon mindig nagy vágósebességet, azaz teljes gázt.
- Legyen nagyon elővigyázatos, amikor a vágószerkezet felső oldalával vág, azaz alulról felfelé. Ezt toló vágásnak nevezzük. A láncc megpróbálja hátratalolni a motorfűrész, a kezelő irányába. Ha a láncc beragad, elfordulhat, hogy a lánccfűrész a kezelő felé lendül.
- Ha a kezelő nem tart ellent ennek a nyomásnak, fennáll annak a veszélye, hogy a motorfűrész annyira hátramozdul, hogy a visszarúgási zóna kapcsolatba kerül a vágási felülettel. Ez visszarúgást okoz. (35)
A vágószerkezet alsó részével történő vágást, azaz a felülről lefelé történő vágást húzó vágásnak nevezzük. Ebben az esetben a motorfűrész a fa irányába húzza önmagát, és vágás közben a motorfűrésztest elülső része természetesen támaszkodási pontot képez. A húzó irányú vágás jobb ellenőrzést biztosít a motorfűrész és a visszarúgási zóna felett.
- Tartsa be a vezetőlemez és a láncc élzésére és karbantartására vonatkozó utasításokat. Vezetőlemez- és lánccsere esetén csak az általunk javasolt kombinációt használja. Lásd a Vágószerkezet és a Műszaki adatok című fejezetekben szereplő utasításokat.

Alapvető vágástechnika



VIGYÁZAT! Soha ne használja a lánccfűrész egy kézzel tartva. A lánccfűrész egy kézzel tartva nem lehet biztonságosan irányítani. Mindig mindkét kéz használatával, erősen és szilárdan fogja a fogantyúkat.

Általános tudnivalók

- Vágáskor mindig használjon teljes gázadagolást!
- Minden egyes vágás után csökkentse a gázadagolást üresjárati szintre (a motor komoly károsodásához vezethet, ha túl hosszú ideig működik megterhelés nélkül, teljes gázzal).
- Felülről történő vágás = Húzó vágás
- Alulról történő vágás = Toló vágás

A toló vágás nagyobb visszarúgási veszéllyel jár. Lásd a Hogyan kerüljük el a visszarúgást című fejezetben szereplő utasításokat.

Kifejezések

Vágás = Általános kifejezés a fa keresztülvágására.

Gallyazás = A ledöntött fa ágainak levágása.

Hasadás = Amikor a vágás tárgya a vágás befejezése előtt letörik.

A vágás megkezdése előtt öt fontos tényezőt kell figyelembe venni:

- A vágószerkezet nem szorulhat be a vágásba.
- A farönk nem repedhet szét.

- A láncc a vágás alatt vagy után nem érhet hozzá a talajhoz vagy valamilyen tárgyhoz.
- Fennáll-e a visszarúgás veszélye?
- A feltételek és a környező terep befolyásolja-e, hogy Ön mennyire stabilan és biztosan járhat illetve állhat?

Két tényező határozza meg azt, hogy a fűrészláncc beszorul-e vagy a farönk elreped-e: Hol támaszkodik fel a rönk, és hogy feszített állapotban van-e.

Két lépésben, úgy felülről, mint alulról történő vágás útján az esetek többségében ezek a problémák elkerülhetők. A rönköt úgy kell alátámasztani, hogy a vágás alatt ne szorítsa be a lánccot, és ne is repedjen szét.

FONTOS! Ha a láncc beszorul a vágásba: állítsa le a motort! Ne próbálja meg kirántani a fűrész. Ha ezzel próbálkozik, megsértheti magát a lánccal, amikor a fűrész hirtelen kiszabadul. Használjon emelőrudat a vágás szétnyitására és a vezetőlemez kiszabadítására.

Az alábbiakban leírjuk, hogy hogyan kezelje a legtöbb olyan helyzetet, amely a motorfűrész használatában közben adódik.

Gallyazás

Vastagabb ágak levágásakor ugyanazokat az eljárásokat kell alkalmazni, mint a rönköknél.

A nehezebben kezelhető ágakat darabonként vágja le.

Vágás



VIGYÁZAT! Soha ne próbáljon rönköt fűrészelni, amikor a rönkök halomba vannak rakva vagy egymás közelében fekszenek. Az ilyen eljárás rendkívüli mértékben növeli a visszacsapódás veszélyét, és az súlyos vagy halálos sérüléssel járhat.

Ha rönkhalommal kell dolgoznia, a vágni kívánt egyes rönköket vegye ki a halomból, és helyezze fűrészállványra vagy támasztékra, és egyenként darabolja őket.

A lefűrészelt darabokat távolítsa el a munkaterületről. Ha a munkaterületen hagyja őket, növekszik a véletlen visszacsapódás veszélye, illetve nagyobb a veszélye annak, hogy Ön munka közben egyensúlyát veszti.

A rönk a talajon nyugszik. A lánccsorulás vagy a tönk szétrepedésének veszélye kicsi. Fennáll ellenben annak a veszélye, hogy a láncc a vágás befejezésekor hozzáér a talajhoz.

Vágja át teljesen a rönköt felülről. Próbálja meg elkerülni, hogy a vágás befejezésekor a talajt érintse. Tartsa meg a teljes gázadagolást, de készüljön fel arra, ami bekövetkezhet. (36)

Ha van lehetőség (= a farönk átfordítására?), akkor a vágás 2/3-ánál álljon meg.

Fordítsa át a rönköt és fejezze be a vágást az ellenkező oldalról.

A rönk az egyik végén támaszkodik. Nagy annak a veszélye, hogy szétreped.

Kezdje el a vágást alulról (kb. az átmérő 1/3-áig). Végezze be a vágást felülről úgy, hogy a két vágás találkozzék.

A rönk mind a két végén támaszkodik. Nagy a lánc megszorulásának veszélye.

Kezdje el a vágást felülről (kb. az átmérő 1/3-áig).

Fejezze be a vágást alulról, úgy, hogy a két vágás találkozzék.

A fadöntés technikája

FONTOS! Egy fa kidöntéséhez nagy tapasztalatra van szükség. Tapasztalattal nem rendelkező motorfűrészkezelők tartózkodjanak a fadöntéstől. Soha ne próbálkozzék olyan munkával, amely előtt bizonytalannak érzi magát!

Biztonsági távolság

A ledöntésre váró fa és a közelben dolgozók közötti biztonsági távolság a fa magasságának 2 1/2-szeresének kell lennie. Gondoskodjon róla, hogy ebben a "veszélyességi zónában" a fa ledöntése előtt és közben senki sem tartózkodik. **(37)**

A döntés iránya

Fadöntésnél az a cél, hogy a fát a későbbi gallyazás és feldarabolás szempontjából a legelőnyösebb irányba döntsük. A fának olyan helyre kell dőlnie, ahol biztonságosan lehet körülötte mozogni.

Miután meghatározta a fa kívánt dőlési irányát, fel kell mérnie, hogy melyik lenne a fa természetes dőlési iránya.

Több tényező befolyásolja ezt:

- A fa ferdesége
- Görbület
- Szélirány
- Az ágak elhelyezkedése
- Az esetleges hó súlya
- A fa által elérhető akadályok: például más fák, villanyvezetékek, utak és épületek.
- A fa tövének nézve meg, hogy nem látja-e sérülést vagy korhadás nyomait, így nagyobb a valószínűsége, hogy a fa a vártnál hamarabb eltörik és kidől.

Meglehet, hogy úgy találja, hogy kénytelen hagyni a fát természetes irányba dőlni, mert vagy lehetetlen, vagy pedig veszélyes az először eltervezett irányba dönteni azt.

Egy másik nagyon fontos tényező, amely a fa döntési irányát nem befolyásolja, ám az Ön személyi biztonságát igen, hogy van-e a fának sérült vagy elhalt ága, amely a döntés alatt letörhet és sérüléseket okozhat.

Azt kell legfőképpen kikerülni, hogy a dőlő fa egy másik fába beleakadjon. Egy ilyen helyzetben fennakadó fát elmozdítani nagyon veszélyes; igen nagy a balesetveszély. Lásd A rosszul dőlő fa kiszabadítása című fejezetben szereplő utasításokat.

FONTOS! Fairtáskor a legnehezebb döntési mozzanatoknál, ahogyan befejeződött a fűrészelés, azonnal vegye le a hallásvédőt, hogy hallhassa a munkazajt és a figyelmeztető utasításokat.

Letisztítás és a visszavonulási út

Vállmagasságig távolítsa el az ágakat a törzsről.

Biztonságosabb a munka, ha felülről lefelé halad, a fát önmaga és a fűrész között tartva.

Tisztítsa el az aljnövényzetet a fa tövéből és ellenőrizze a terepet akadályok (kövek, ágak, gödrök, stb.) szempontjából, hogy könnyen járható visszavonulási útja legyen, amikor a fa

dőlni kezd. A visszavonulási útnak kb. 135°-os szögben kell elhelyezkedni **(38)**

- 1 Kockázati zóna
- 2 Visszatérési útvonal
- 3 A döntés iránya

A fadöntés



VIGYÁZAT! Azt javasoljuk, hogy speciális gyakorlat nélkül ne fogjon bele a vágószerszemet hosszánál nagyobb átmérőjű fák döntésébe!

A döntés három vágás segítségével történik. Először kialakítja a döntőhajkot amely a hajkettőből és a hajklapból áll; ezt a döntővágás követi. Ezeknek a vágásoknak megfelelő elhelyezésével a dőlési irányát nagyon pontosan ellenőrizni tudja.

Döntőhajk

A döntőhajk kialakítását a hajkettő bevágásával kezdi. Álljon a fa jobb oldalára és végezze el a szögben a vágást felülről lefelé. Ezután a hajklap következik, amely a hajkettő tövével végződik. **(39)**

A hajknak a fatörzs 1/4-éig kell behatolnia, a hajkettő és a hajklap közötti szögnek pedig legalább 45°-osnak kell lennie.

A két vágás találkozási vonala a hajkvonal. Ennek a vonalnak tökéletesen vízszintesnek és a tervezett dőlési irányra merőlegesnek kell lennie (90°-os). **(40)**

Döntővágás

A döntővágást a fatörzs ellenkező oldaláról kell elvégezni, és tökéletesen vízszintesnek kell lennie. Álljon a fa bal oldalára és vágjon a fűrész alsó élével.

A döntővágást a hajkvonal felett kb. 3–5 cm-re (1,5–2 turn) kell elvégezni.

Illessze be a kéregtámaszt (ha fel van szerelve) a törési lécc mögé. Hatoljon a vágószerszeggel óvatosan a fatörzsbe, teljes gázadással. Győződjön meg arról, hogy a fa nem kezd el a tervezett irányval ellentétes irányba mozdulni. Helyezzen a vágásba döntőteket vagy döntőemelőt, amint a vágás elég mély. **(41)**

Fejezze be a döntővágást a hajkvonallal párhuzamosan úgy, hogy a közöttük levő távolság a fatörzs átmérőjének legalább 1/10-e legyen. A fatörzs el nem vágott része alkotja a törési léccet.

A törési léccel sarkovasként irányítja a fa dőlését megfelelő irányba. **(42)**

A dőlési irány feletti minden ellenőrzés megszűnik, ha a törési lécc túl vékony, vagy ha a döntővágást rosszul helyezték el.

Amikor a döntőhajk és a döntővágás elkészült, a fának saját súlyától, vagy pedig a döntőteket vagy a döntőemelő segítségével el kell dőlnie.

Olyan vezetőlemez használatát javasoljuk, amely hosszabb, mint a fa átmérője, hogy a döntővágást és a hajkot "egyetlen vágásmozdulattal" készíthesse el. Az adott láncfűrész-típushoz ajánlott vezetőlemez-hosszúságokkal kapcsolatos tudnivalókat a "Műszaki adatok" című fejezetben találja.

Vannak módszerek a vágószerszemet hosszánál nagyobb átmérőjű fák kivágására is. Ezek a módszerek azonban jóval nagyobb kockázatot jelentenek, mivel a vágószerszemet visszarugási zónája érintkezik a fával.

A rosszul dőlt fa kiszabadítása

A "beszorult" fa kiszabadítása

Egy ilyen helyzetben fennakadó fát elmozdítani nagyon veszélyes; igen nagy a balesetveszély.

Soha ne próbáljon olyan fát kivágni, amelyre másik fa dőlt rá. Soha ne dolgozzon fennakadt, beszorult fa veszélyzónájában. A legbiztonságosabb módszer egy csőről használata.

- Traktorra szerelt
- Hordozható

Feszített állapotban levő fák és ágak vágása

Előkészületek: Gondolja át, hogy milyen módon mozdul el a fa vagy az ág, ha a feszültség alól felszabadul, és hogy hol van a természetes "törési pontja" (azaz hol törne el, ha még jobban meg lenne feszítve).

Döntse el, hogy melyik a feszültség alól való feloldás legbiztosabb módja, és hogy Ön ezt meg tudja-e biztonságosan oldani. A különösen bonyolult esetekben a legbiztosabb módszer a motorfűrész felretenni és inkább csőről használni.

Általános tanácsok:

Helyezkedjen úgy, hogy ne találhassa el a fa vagy az ág amikor kiszabadul.

Ejtsen egy vagy több vágást a törési ponton vagy ahhoz közel. Fűrészljen olyan mélyen és annyi vágással, amennyi a feszültség csökkentéséhez és ahhoz szükséges, hogy a fa vagy az ág eltörjön a törési ponton.

Soha ne fűrészljen át teljesen egy feszített állapotban levő fát vagy ágot!

Amikor fát vagy ágot kell keresztülfűrészelnie, két-három vágást készítsen egymástól 3 cm távolságra, 3–5 cm mélységgel.

Addig folytassa a vágást, amíg a fa vagy ág hajlása és feszültsége meg nem szűnik.

A feszültség megszüntetése után a fát vagy ágot az ellenkező oldalról vágja át.

Hogyan kerüljük el a visszarúgást



VIGYÁZAT! A visszarúgás nagyon hirtelen és hevesen történhet; a motorfűrész, a vezetőlemez és a lánc a kezelő felé dobódik vissza. Ha eközben a lánc mozog, az nagyon komoly, sőt életveszélyes sérüléseket is okozhat. Életfontosságú az, hogy megértse a visszarúgás okait, és, hogy azt elővigyázattal és helyes vágási technika alkalmazásával megelőzheti.

Mi a visszarúgás?

A visszarúgás kifejezést annak a hirtelen reakciónak a leírására alkalmazzuk, amikor a vágószerszemet csúcának felső negyede, az ún. visszarúgási zóna hozzáér valamihez, és ez a motorfűrész hátradobódását eredményezi. **(43)**

A visszarúgás mindig a vezetőlemez síkjában történik. Leggyakoribb az, hogy a motorfűrész vissza- és felfelé, a

kezelő irányába dobódik. Más irányú elmozdulás is előfordulhat attól függően, hogy hogyan használták a motorfűrész, amikor a visszarúgási zóna valamihez hozzáért.

Visszarúgásra csak akkor kerül sor, ha a visszarúgási zóna hozzáér egy tárgyhöz. **(44)**

Gallyazás



VIGYÁZAT! A legtöbb visszacsapódási baleset gallyazásnál történik. Ne használja a vezetőlemez visszacsapódási zónáját. Rendkívüli gondossággal járjon el, és ügyeljen arra, hogy a vezetőlemez csúcsa ne érhesse a rönkhöz, más ágakhoz vagy tárgyakhoz. Rendkívüli gondossággal járjon el feszültséget mutató ágak esetén. Az ilyen ágak visszacsapódhatnak a kezelő felé, aki ennek hatására elveszítheti a helyzet feletti uralmát, és sérülést szenvedhet.

Győződjön meg arról, hogy nincsenek akadályok az útjában. Dolgozzon a fatörzs bal oldalán. Tartsa közel magához a fűrész, a maximális ellenőrzés végett. Ha az lehetséges, hagyja a fűrész súlyát a fatörzson nyugodni.

Csak akkor haladjon, ha a fa Ön és a motorfűrész között helyezkedik el.

A fatörzs rönkökre való feldarabolása

Lásd az Alapvető vágástechnika című fejezetben szereplő utasításokat.

Általános tudnivalók

A felhasználó kizárólag olyan karbantartási és szervizmunkákat végezhet, amelyek ebben a használati utasításban szerepelnek. Komolyabb beavatkozásokat csak elismert szervizműhely végezhet.

A porlasztó beállítása

Az Ön Jonsered-terméke a káros kipufogógázok csökkentését előíró specifikációk szerint készült.

Működés

- A porlasztó a gázadagolón keresztül szabályozza a motor fordulatszámát. Az üzemanyag-levegő keverék összetétele aránya szabályozható. Ahhoz, hogy kihasználjuk a motor maximális teljesítményét, a beszabályozásnak helyesnek kell lennie.
- A T csavar szabályozza az üresjárat fordulatszámát. Az óra járásával megegyező irányba csavarva magasabb, ellenkező irányba csavarva pedig alacsonyabb lesz az üresjárat fordulatszám.

Alapbeállítás és bejáratás

A porlasztón az alapbeállítást a gyári próba során már elvégezték. A finombeállítást szakembernek kell elvégeznie.

Javasolt alapjárat fordulatszám: Lásd a Műszaki adatok című fejezetet.

A T üresjárat finombeállítása

Állítsa be az üresjárat fordulatszámot a T csavarral. Ha szükség van újrabéállításra, csavarja először a T csavart az óra járásával megegyező irányba, amíg a lánc forogni nem kezd. Azután csavarja ellenkező irányba, amíg a lánc meg nem áll. Akkor helyes az üresjárat fordulatszám beállítása, ha a motor minden helyzetben egyenletesen jár. Ezenkívül megnyugtató távolságra kell lenni attól a fordulatszámától, ahol a lánc elkezd forogni.



VIGYÁZAT! Ha nem lehet úgy beállítani az üresjáratot, hogy a lánc mozdulatlan maradjon, akkor forduljon egy szervizműhelyhez. Ne használja a motorfűrészét addig, amíg az nincs rendesen beállítva vagy megjavítva.

A motorfűrész biztonsági felszerelésének vizsgálata, karbantartása és szervizelése

Megjegyzés A gépen végzett minden szerviz- és javítási tevékenység szakképzettséget igényel. Ez különösen érvényes a gép biztonsági berendezéseire. Ha a gép nem felel meg az alábbiakban ismertetett ellenőrzések bármelyikének, ajánlatos szervizbe vinni. Minden olyan karbantartást, ami ebben az útmutatóban nincs leírva, szakosított szervizműhellyel (szakkereskedő) kell elvégeztetni.

Javítások és karbantartások előtt mindig kapcsolja ki a motort és a gyújtáskábelt távolítsa el.

Láncfék és biztonsági fékkar

A fékszalag kopásának ellenőrzése

Kefélje le a fűrészport, gyantát és piszkot a láncfékről és a tengelykapcsoló-dobról. A piszok és a kopás befolyásolja a fék működését. (45)

Rendszeresen ellenőrizze, hogy a fékszalag a legvékonyabb ponton is legalább 0,6 mm vastag-e.

A biztonsági fékkar ellenőrzése

Győződjön meg arról, hogy a biztonsági fékkar nem sérült, és hogy látható hibától, például repedésektől mentes.

Mozgassa a biztonsági fékkart előre-hátra, és győződjön meg arról, hogy szabadon mozog, valamint, hogy szilárdan kapcsolódik a tengelykapcsoló fedeléhez. (46)

Az automata fék ellenőrzése

Helyezze a láncfűrész kikapcsolt motorral fatuskóra vagy más szilárd felületre. Engedje el az előlő fogantyút, és hagyja, hogy a fűrész saját súlyánál fogva előredőljön a tuskó felé a hátsó fogantyún átfordulva.

Amikor a vezetőlemez csúcsa nekiütközik a tuskónak, a féknek be kell húznia. (47)

A fékhatás ellenőrzése

Helyezze a motorfűrész szilárd alapra, és indítsa be. Gondoskodjon arról, hogy a lánc se a talajhoz, se egyéb tárgyakhoz ne érjen hozzá. Lásd a Beindítás és leállítás című fejezetben szereplő utasításokat.

Fogja meg keményen a motorfűrész, a hüvelykujjakat és az ujjakat a fogantyúk köré zárva.

Adjon teljes gázt, és helyezze üzembe a láncfékkel bal csuklója előrehajításával, anélkül, hogy a fogantyút elengedné. **A láncnak azonnal meg kell állnia.**

Gázadagoló-retesz

- Győződjön meg arról, hogy felengedett reteszgombbal a gázadagológomb üresjárat helyzetben rögzített.
- Nyomja le a reteszgombot, és győződjön meg arról, hogy az visszatér az eredeti állásába miután felengedi.
- Ellenőrizze, hogy a gázadagológomb és a reteszgomb szabadon mozog, és, hogy a nyomórúgók megfelelően működnek.
- Indítsa be a motorfűrészét és adjon teljes gázt. Engedje ki a gázadagológombot, és ellenőrizze, hogy a lánc megáll és mozdulatlan marad. Ha a lánc üresjárat helyzetben levő gázadagológombbal is körbejár, akkor ellenőriznie kell a porlasztó üresjárat beál

Láncfogó

Ellenőrizze, hogy a láncfogó nem sérült-e, és hogy szilárdan kapcsolódik-e a motorfűrésztesthez.

Jobbkézvédő

Ellenőrizze, hogy a jobbkézvédő nem sérült, és nincsenek-e rajta látható hibák, például repedések.

Rezgéscsillapító rendszer

Ellenőrizze rendszeresen a rezgéscsillapító elemeket, repedések és torzulások szempontjából.

Győződjön meg arról, hogy a rezgéscsillapító elemek szilárdan kapcsolódnak a motortesthez és a fogantyúkhöz.

Leállító kapcsoló

Indítsa be a motort, és győződjön meg arról, hogy az leáll, ha a leállítókapcsolót stopállásba helyezi.

Kipufogódob

Soha ne használjon olyan gépet, amelynek hibás a kipufogódobja. Rendszeresen ellenőrizze, hogy a kipufogódob biztonságosan hozzá van rögzítve a géphez.

Megjegyzés: A szikrafogó védőháló (A) ezen a gépen javítható. **(48)** Ha a háló megsérült, akkor ki kell cserélni. A motor túlmelegszik, ha a háló eltömődött. Ez a henger vagy a dugattyú károsodását eredményezi. Soha ne használja a gépet meghibásodott, vagy eltömődött hálóval. **Soha ne használja a kipufogódobot, ha a szikrafogó háló hiányzik vagy hibás.**

Normál háztartási használat során a hangfogót és a szikrafogó hálót nem szükséges cserélni.

Levegőszűrő

A levegőszűrőt rendszeresen tisztítani kell a portól és a szennyeződésektől, hogy elkerüljük a következőket:

- A porlasztó üzembzavarai
- Indítási problémák
- A motor teljesítményének csökkenése
- A motor részeinek fölösleges kopása
- Szokatlanul nagy üzemyagfogyasztás.
- A hengerfedél levétele után távolítsa el a légszűrőt (3), a csavart (1) és a szűrőfedele (2). Összeszereléskor ügyeljen arra, hogy a légszűrő szorosan illeszkedjen a szűrőtartóba. A szűrő kefével vagy rázogatással tisztítandó. **(49)**

Alaposabban meg lehet tisztítani a szűrőt szappanos vízben való mosással.

Egy bizonyos időn túl használt levegőszűrőt nem lehet teljesen megtisztítani. Ezért rendszeres időközönként új levegőszűrőre kell azt kicserélni. **Egy megrongálódott levegőszűrőt mindig ki kell cserélni.**

Gyújtógyertya

A gyújtógyertya műszaki állapotát befolyásolja:

- Helytelen porlasztóbeállítás.
- Nem megfelelő a kenőanyag (túl sok az olaj, vagy rossz a minősége).
- Elszennyeződött levegőszűrő.

Ezek a tényezők lerakódásokat okozhatnak a gyújtógyertya elektródáin, ami üzembzavarokhoz és indítási problémákhoz vezethet.

Ha a gép erőtlen, nehéz beindítani, vagy egyenlőtlen az üresjárata, akkor mindig ellenőrizze először a gyújtógyertyát. Ha a gyújtógyertya elszennyeződött, tisztítsa meg azt és ellenőrizze a szikraközt. A helyes szikraköz 0,5 mm. A gyújtógyertyát kb. egy hónapnyi üzemelés után ki kell cserélni, vagy korábban, ha az elektródák nagyon elhasználódtak. **(50)**

Megjegyzés Használja mindig az előírt típusú gyújtógyertyát! Nem megfelelő gyújtógyertya komolyan károsíthatja a hengert és a dugattyút. A gyújtógyertya olyan legyen, amely a rádióadást nem zavarja.

KARBANTARTÁS

Karbantartási séma

Alább következnek egy lista a gép karbantartásának pontjaival. A legtöbb pontot a Karbantartás című fejezet írja le.

Napi karbantartás (5–10 óránként)	Heti karbantartás (10–25 óránként)	Havi karbantartás (25–40 óránként)
Tisztítsa meg a gépet kívülről.	Ellenőrizze indítószervezetet, a zsinórt és a visszahúzórugó.	Ellenőrizze, hogy nem kopott-e el a láncfék fékszalagja. Ha a legkopottabb részen 0,6 mm-nél kevesebb maradt, cserélje ki a szalagot.
Ellenőrizze, hogy a gázadagoló részei biztonságosan működnek-e (gázadagoló-retesz és gázadagoló).	Ellenőrizze, hogy a rezgéscsillapító elemek sértetlenek-e.	Ellenőrizze a tengelykapcsolófejt, -dob és -rugó kopását.
Tisztítsa meg a láncfékét és ellenőrizze annak működését az utasításoknak megfelelően. Győződjön meg arról, hogy a láncfogó sértetlen. Ellenkező esetben azonnal cserélje ki azt.	Reszelje le az esetleges sorját a vezetőlemeztől.	Ellenőrizze a gyújtógyertyát és a szikraközt. A helyes szikraköz 0,5 mm.
A vezetőlemezt naponta meg kell fordítani az egyenletesebb kopás érdekében. Ellenőrizze, hogy az olajcsatorna nyílása nincs-e eltömődve. Tisztítsa ki a lánchornyot. Ha a vezetőlemeze orrkerék van szerelve, zsírozza meg azt.	Tisztítsa meg a porlasztótestet és a porlasztóteret.	Tisztítsa meg kívülről a porlasztót.
Ellenőrizze, hogy a vezetőlemez és a lánc elégséges olajmennyiséget kap-e.	Tisztítsa meg a levegőszűrőt. Ha szükséges, cserélje ki.	Ellenőrizze az üzemenyagszűrőt. Ha szükséges, cserélje ki.
Ellenőrizze a fűrészláncot, hogy nem látható-e a szegecseken és a szemeken repedés, hogy a fűrészlánc nem mereve, vagy hogy nem tapasztalható-e abnormális kopás a szegecseken és a szemeken. Ha szükséges, cserélje ki a hibás alkatrészeket.		Úritse ki az üzemenyagtartályt, és tisztítsa ki a belsejét.
Élezze ki a láncot és ellenőrizze annak feszességét és állapotát. Ellenőrizze, hogy a meghajtókerék nem túlságosan kopott-e. Ha szükséges, cserélje ki.		Úritse ki a kenőolaj-tartályt, és tisztítsa ki a belsejét.
Tisztítsa meg az indítóegység levegőbeömlő nyílását.		Ellenőrizze az összes villamos vezetékét és csatlakozást.
Ellenőrizze, hogy a csavarok és csavaranyák megfelelően meg vannak-e húzva.		
Ellenőrizze, hogy a leállító kapcsoló működik-e.		
Ellenőrizze, hogy nincs-e üzemenyagszivárgás a motortól, üzemenyagtartálytól illetve üzemenyagvezetékektől.		

Műszaki adatok

	CS 2234	CS 2238
Motor		
Hengerűrtartalom, cm ³	38	38
Lökét, mm	32	32
Fordulatszám alappáraton, ford/perc	3000	3000
Teljesítmény, kW	1,4/9000	1,5/9000
Gyújtásrendszer		
Gyújtógyertya	Champion RCJ 7Y	Champion RCJ 7Y
Elektródátávolság, mm	0,5	0,5
Üzemanyag-/kenőrendszer		
Benzintartály űrtartalma	0,3	0,3
Olajszivattyú-kapacitás 8 500 ford/percnél, ml/perc	7	7
Olajtartály űrtartalma, liter	0,19	0,19
Szivattyútípus	Automatic	Automatic
Tömeg		
Motorfűrész vezetőlemez és lánc nélkül, üres üzemanyagtartállyal, kg	4,7	4,7
Zajkibocsátás (1.sz.jegyzet)		
Zajszint, mért, dB(A)	115	115
Zajszint, garantált L _{WA} dB(A)	118	118
Zajszintek (2.sz.jegyzet)		
A kezelő fülénél mért ekvivalens zajnyomásszint, dB(A)	100,6	100,6
Ekvivalens rezgésszintek, a_{hveq} (lásd 3. megjegyzés)		
Első fogantyú, m/s ²	3,7	3,7
Hátsó fogantyú, m/s ²	5,1	5,1
Lánc/vezetőlemez		
Standard vezetőlemez-hossz, tum/cm	14/35, 16/40	14/35, 16/40
Javasolt vezetőlemez-hosszak, tum/cm	14/35, 16/40	14/35, 16/40
Hasznos vágási hossz, tum/cm	13,5/34, 15,5/39	13,5/34, 15,5/39
Láncosztás, tum/mm	3/8 / 9,52	3/8 / 9,52
Meghajtószem vastagsága, tum/mm	0,050/1,3	0,050/1,3
Orrkerék típusa/fogak száma	6	6
Láncsebesség, max. teljesítménynél, m/s	17,1	17,1

1. sz. megjegyzés: A környezet zajszennyezése zajteljesítményszintként (L_{WA}) mérve a 2000/14/EG EGK-direktíva szerint.




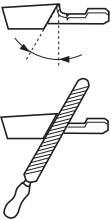

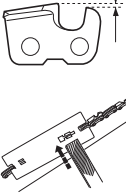
2. megjegyzés: Az ekvivalens hangnyomásszintet az ISO 22868 értelmében a különböző hangnyomásszintek időhöz viszonyított összenégyjéként számítják ki, változó munkakörülmények között. Az ekvivalens hangnyomásszint tipikus statisztikus ingadozása az 1 dB (A) szórása.

3. megjegyzés: Az ekvivalens rezgésszintet az ISO 22867 értelmében a rezgésszintek időhöz viszonyított összenégyjéként számítják ki, változó munkakörülmények között. Az ekvivalens rezgésszintre vonatkozó jelentési adatok az 1 m/s² tipikus statisztikus ingadozásával (szórásával) rendelkeznek.

Vezetőlemez és lánc kombinációk

A Jonsered CS 2234 és CS 2238 modellhez a következő vágófelszerelések vannak jóváhagyva.

Vezetőlemez				Fűrészlánc	
Hossz, tum	Láncosztás, tum	Vezetőhorony szélessége, mm	Fogak maximális száma a vezetőlemez orrkerekén	Típus	Hossz, vezetőszemek (db)
14	3/8	1,3	7T	Jonsered H37	52
16	3/8		7T		56
18	3/8		7T		62

					
	inch/mm				inch/mm
H37	5/32/4,0	80°	30°	0°	0.025/0,65

Termékazonossági EGK-bizonyítvány

(Kizárólag Európára vonatkozik)

A Husqvarna, SE-561 82 Huskvarna, Svédország, tel.+46-36-146500, ezennel igazolja, hogy a **Jonsered CS 2234 és CS 2238** motorfűrészek a 2009. évi sorozatszámától kezdve és azután (az évszám, és azt követően a sorozatszám a típusablán szerepelnek) megfelelnek a BIZOTTSÁG DIREKTÍVÁJÁ-ban előírtaknak:

- Gépekről szóló **2006/42/EK** irányelv (2006. május 17.)
- 2004 december 15. "az elektromágneses kompatibilitást illetően" **2004/108/EEC**.
- 2000 május 8. "a környezet zajszennyezését illetően", **2000/14/EG**.

A zajszennyezését illetően lásd a Műszaki adatok című fejezetet. Alkalmazott szabványok: **EN ISO 12100-2:2003, CISPR 12:2001, EN ISO 11681-1:2004**

Bejelentett szerv: **0404, SMP Svensk Maskinprovning AB**, Fyrisborgsgatan 3, SE-754 50 Uppsala, Svédország, EGK-típusellenőrzést végzett a (2006-42/EG) gépdirektíva, 12. cikk, 3b pont szerint. Az EGK-típusellenőrzési bizonyítvány számái a IX. Sz. melléklet szerint: **0404/09/2048**.

Az SMP, Svensk Maskinprovning AB, Fyrisborgsgatan 3, SE-754 50 Uppsala, Svédország, igazolja továbbá a bizottság 2000 május 8-i direktívájának, 2000/14/EG, "a környezet zajszennyezését illetően" az V. sz. mellékletével való megegyezést. A bizonyítványok számái: **26/161/003** - CS 2234, **26/161/004** - CS 2238.

A szállított motorfűrész azonos az EGK-típusellenőrzött géppel.

Huskvarna, 2009 december 29.



Ronnie E. Goldman, Műszaki igazgató. (A Husqvarna AB technikai dokumentációért felelős hivatalos képviselője)

Szanowny Kliencie!

Gratulujemy wyboru produktu Jonsered!

Jesteśmy przekonani, że przez długi czas będą Państwo zadowoleni z jakości i wydajności naszych produktów. Zakup jakiegokolwiek z naszych produktów daje możliwość korzystania z profesjonalnej pomocy i obsługi technicznej, w razie konieczności przeprowadzenia naprawy lub serwisu. Jeżeli maszyna nie została kupiona w autoryzowanym punkcie sprzedaży, prosimy zapytać o najbliższy warsztat serwisowy.

Mamy nadzieję, że będą Państwo zadowoleni ze swojej maszyny i że będzie ona Państwu służyć przez długie lata. Prosimy pamiętać, że niniejsza instrukcja obsługi jest ważnym dokumentem, dzięki któremu maszyna zyskuje większą wartość. Stosując się do zawartych w niej wskazówek (na temat użytkowania, obsługi technicznej, konserwacji itd.) można znacznie przedłużyć okres użytkowy maszyny, a także zwiększyć jej wartość w przypadku sprzedaży. W razie sprzedaży maszyny należy przekazać nowemu użytkownikowi także instrukcję obsługi.

Życzymy zadowolenia z posiadanego produktu Jonsered!

Jonsered nieustannie modernizuje swoje wyroby, w związku z czym zastrzega sobie prawo do wprowadzania zmian dotyczących m.in. wyglądu produktów bez uprzedzenia.

Oznakowanie maszyny:

OSTRZEŻENIE! Pilarka może się stać niebezpiecznym narzędziem!

Nieuważne oraz nieprawidłowe posługiwanie się pilarką może być przyczyną poważnych obrażeń lub śmierci obsługującego urządzenie bądź innych osób.

Przed przystąpieniem do pracy maszyną prosimy dokładnie i ze zrozumieniem zapoznać się z treścią niniejszej instrukcji.

Zawsze należy stosować:

- Zatwierdzony kask ochronny
- Zatwierdzone ochronniki słuchu
- Okulary ochronne lub siatka ochronna na twarz

Niniejszy produkt zgodny jest z obowiązującymi dyrektywami CE.

Emisja hałasu do otoczenia zgodna z dyrektywą Wspólnoty Europejskiej. Wartość emisji dla maszyny podana została w rozdziale Dane techniczne oraz na naklejce.

Do obsługi pilarki operator musi używać obu rąk.

Nigdy nie posługuj się pilarką trzymając ją tylko jedną ręką.

Należy unikać kontaktu wierzchołka prowadnicy z jakimkolwiek przedmiotem.

OSTRZEŻENIE! Odbicie może nastąpić, gdy wierzchołek prowadnicy dotknie do jakiegoś przedmiotu powodując odrzucenie jej w górę i w tył, w kierunku operatora. Może to doprowadzić do poważnych obrażeń.

Hamulec łańcucha aktywowany (po lewej) Hamulec łańcucha nieaktywowany (po prawej)



Pozostałe symbole/naklejki samoprzylepne umieszczone na maszynie dotyczą specjalnych wymogów, związanych z certyfikatami w poszczególnych krajach.

Co jest co w pilarence? (1)

- 1 Naklejki informacyjne i ostrzegawcze
- 2 Osłona cylindra
- 3 Pompa paliwowa
- 4 Uchwyt rozrusznika
- 5 Dźwignia ssania/Dźwignia obrotów rozruchowych.
- 6 Wylłącznik (Włączanie i wyłączanie zapłonu)
- 7 Uchwyt tylny.
- 8 Zbiornik paliwa
- 9 Śruby regulacyjne, gaźnik
- 10 Rozrusznik
- 11 Zbiornik oleju do smarowania łańcucha
- 12 Tabliczka z numerem produktu i numerem seryjnym
- 13 Blokada dźwigni gazu (Zabezpiecza przed przypadkowym naciśnięciem dźwigni gazu.)
- 14 Uchwyt przedni
- 15 Zabezpieczenie przed odbiciem
- 16 Tłumik
- 17 Prowadnica
- 18 Końcówka prowadnicy
- 19 Łańcuch pilarki
- 20 Zderzak.
- 21 Wychwytnik łańcucha
- 22 Śruba regulująca napięcie łańcucha
- 23 Osłona sprzęgła
- 24 Tylny uchwyt i osłona prawej ręki
- 25 Dźwignia gazu
- 26 Instrukcja obsługi
- 27 Klucz kombinowany
- 28 Osłona prowadnicy

Spis treści

WSTĘP

Szanowny Kliencie!	263
Oznakowanie maszyny:	263
Co jest co w pilarence?	264

SPIS TREŚCI

Spis treści	264
-------------------	-----

OGÓLNE ZASADY BEZPIECZEŃSTWA

Czynności które należy wykonać przed przystąpieniem do użytkowania nowej pilarki	265
Ważne	265
Kieruj się zawsze zdrowym rozsądkiem.	266
Środki ochrony osobistej	266
Zespoły zabezpieczające maszyny	266
Osprzęt tnący	268

MONTAŻ

Montaż prowadnicy i łańcucha	271
------------------------------------	-----

PRZYGOTOWYWANIE I OBCHODZENIE SIĘ Z PALIWEM

Paliwo	272
Tankowanie	273
Zasady bezpieczeństwa – paliwo	273

URUCHAMIANIE I WYŁĄCZANIE

Uruchamianie i wyłączanie	274
---------------------------------	-----

TECHNIKA PRACY

Zawsze przed użytkowaniem:	275
Ogólne zasady pracy maszyną	275
Czynności w celu uniknięcia odbicia	278

KONSERWACJA

Uwagi ogólne	279
Regulacja gaźnika	279
Przegląd, konserwacja i obsługa zespołów zabezpieczających pilarki	279
Tłumik	280
Filtr powietrza	280
Świeca zapłonowa	280
Plan konserwacji	281

DANE TECHNICZNE

Dane techniczne	282
Zestawy prowadnica/łańcuch	283
Zapewnienie o zgodności z normami WE	283

Czynności które należy wykonać przed przystąpieniem do użytkowania nowej pilarki

- Przeczytaj dokładnie instrukcję obsługi.
- (1) – (50) patrz ilustracje na str. 2–5.
- Sprawdź prawidłowość zamontowania i regulacji mechanizmu tnącego. Patrz wskazówki podane pod rubryką Montaż.
- Zatankuj i uruchom pilarkę. Patrz wskazówki pod nagłówkami "Postępowanie z paliwem" oraz "Uruchamianie i zatrzymywanie".
- Nie używaj pilarki zanim wystarczająca ilość oleju łańcuchowego nie dotrze do jej łańcucha. Patrz wskazówki podane pod rubryką Smarowanie osprzętu tnącego.
- Długotrwałe przebywanie w hałasie może doprowadzić do trwałej utraty słuchu. Dlatego należy zawsze stosować atestowane ochronniki słuchu.



OSTRZEŻENIE! Pod żadym pozorem nie wolno zmieniać ani modyfikować fabrycznej konstrukcji maszyny bez zezwolenia wydanego przez producenta. Zawsze należy używać wyłącznie oryginalnych części zamiennych. Samowolne wprowadzanie zmian oraz/lub montowanie wyposażenia nie zatwierdzonego przez producenta może stać się przyczyną groźnych obrażeń lub śmierci obsługującego urządzenie bądź innych osób.



OSTRZEŻENIE! Nieprawidłowo lub nieostrożnie używana pilarka może stać się niebezpiecznym narzędziem, mogącym być przyczyną groźnych obrażeń, nawet zagrażających życiu. Dlatego bardzo ważne jest, aby dokładnie i ze zrozumieniem zapoznać się z treścią niniejszej instrukcji.



OSTRZEŻENIE! Wewnątrz tłumika znajdują się substancje chemiczne mogące wywoływać choroby nowotworowe. W razie uszkodzenia tłumika unikaj styczności z tymi elementami.



OSTRZEŻENIE! Długotrwałe wdychanie spalin silnikowych, zawiesiny oleju łańcuchowego w powietrzu oraz pyłu towarzyszącego powstawaniu wiórów może być szkodliwe dla zdrowia.



OSTRZEŻENIE! Podczas pracy urządzenie niniejsze wytwarza pole elektromagnetyczne. W pewnych okolicznościach pole to może zakłócać pracę aktywnych lub pasywnych implantów medycznych. Przed przystąpieniem do pracy z maszyną w celu ograniczenia ryzyka poważnych lub śmiertelnych obrażeń, osoby posiadające implanty medyczne powinny skonsultować się z lekarzem oraz ich producentem.

Ważne

WAŻNE!

Maszyna przeznaczona jest wyłącznie do cięcia drewna. Należy stosować wyłącznie zestawy prowadnica/łańcuch tnący zalecane w rozdziale "Dane techniczne".

Nigdy nie używaj maszyny, gdy jesteś zmęczony bądź znajdujesz się pod wpływem alkoholu lub leków, które mogą wpływać ujemnie na wzrok, zdolność oceny sytuacji i panowanie nad wykonywanymi ruchami.

Stosuj środki ochrony osobistej. Patrz wskazówki podane pod rubryką Środki ochrony osobistej.

Nie wolno dokonywać w maszynie zmian stanowiących modyfikację jej oryginalnej wersji. Nie używaj maszyny, jeżeli podejrzewasz, że ktoś inny wprowadził w niej zmiany.

Nie wolno pracować maszyną uszkodzoną. Stosuj się do instrukcji dotyczących konserwacji, kontroli i obsługi technicznej podanych w niniejszej instrukcji obsługi. Niektóre czynności konserwacyjne i obsługowe muszą być wykonane przez przeszkolonego i wykwalifikowanego specjalistę. Patrz wskazówki podane pod rubryką Konserwacja.

Nigdy nie używaj innych akcesoriów niż zalecane w niniejszej instrukcji obsługi. Patrz wskazówki podane pod rubrykami Osprzęt tnący i Dane techniczne.

UWAGA! Stosuj zawsze okulary ochronne lub siatkę ochronną twarzy, by ograniczyć ryzyko obrażeń w wyniku uderzenia przedmiotem odrzuconym spod maszyny. Spod pilarki mogą być odrzucane z dużą siłą takie przedmioty jak wióry, małe kawałki drewna etc. Może to spowodować poważne obrażenia, szczególnie w razie uderzenia w oko.



OSTRZEŻENIE! Włączenie silnika w zamkniętych lub źle wentylowanych pomieszczeniach może być przyczyną śmierci wskutek uduszenia lub zatrucia tlenkiem węgla.



OSTRZEŻENIE! Stosowanie niewłaściwego osprzętu tnącego lub zestawu prowadnica/łańcuch tnący zwiększa ryzyko odbicia! Stosuj wyłącznie zalecane przez nas zestawy prowadnica/łańcuch tnący i przestrzegaj instrukcji ostrzeżenia łańcucha. Patrz wskazówki pod nagłówkiem "Dane techniczne".

Kieruj się zawsze zdrowym rozsądkiem. (2)

Nie jest możliwe omówienie wszystkich sytuacji, w jakich potencjalnie możesz się znaleźć podczas pracy pilarką. Zachowuj zawsze ostrożność i kieruj się zdrowym rozsądkiem. Nie podejmuj się prac, jeżeli uważasz, że przekraczają one Twoje kwalifikacje! Jeżeli po przeczytaniu niniejszej instrukcji nadal nie masz pewności co do sposobów postępowania, nie kontynuuj pracy zanim nie zwrócisz się o poradę do eksperta. Jeżeli masz pytania dotyczące korzystania z pilarki, nie wahaj się skontaktować z punktem sprzedaży lub z nami. Chętnie służymy ci pomocą i radą, byś mógł korzystać ze swojej pilarki w lepszy i bardziej bezpieczny sposób. Dobrze jest przejść szkolenie w zakresie posługiwania się pilarką. Informacje o dostępnych materiałach szkoleniowych i kursach możesz otrzymać w punkcie sprzedaży, w szkółce leśnej lub w bibliotece. Nieustannie prowadzone są prace w celu udoskonalenia konstrukcji maszyn. Udoskonalenia takie mają na celu zapewnienie większego bezpieczeństwa i efektywności pracy. Odwiedzaj regularnie punkt sprzedaży, by dowiadywać się jaką korzyść możesz odnieść w wyniku wprowadzanych nowości.

Środki ochrony osobistej



OSTRZEŻENIE! Przyczyną większości wypadków z udziałem pilarek jest zetknięcie się łańcucha z operatorem. Podczas używania maszyny należy zawsze mieć na sobie zatwierdzone przez odpowiednie władze środki ochrony osobistej. Środki ochrony osobistej nie eliminują ryzyka odniesienia obrażeń, natomiast ograniczają ich rozmiar w razie zaistnienia wypadku. Poproś swojego dealera o pomoc w wyborze środków ochrony osobistej.

- Zatwierdzony kask ochronny
- Ochronniki słuchu
- Okulary ochronne lub siatka ochronna na twarz
- Rękawice ochronne z zabezpieczeniem przed przecięciem pilarką
- Spodnie z wkładką zabezpieczającą przed okaleczeniem łańcuchem pilarki
- Obuwie wysokie z zabezpieczeniem przed przecięciem pilarką, z podnoskami stalowymi i przeciwpoślizgowymi podeszwami
- Apteczka pierwszej pomocy powinna znajdować się zawsze w pobliżu.
- Gaśnica i łopata

Ubranie powinno być dopasowane lecz nie powinno ograniczać swobody ruchów operatora.

WAŻNE! Mogą powstawać iskry wydostające się z tłumika, prowadnicy, łańcucha lub innego źródła. Miej zawsze w pobliżu sprzęt gaśniczy, gdyż możesz go potrzebować. W ten sposób przyczyniasz się do zapobiegania pożarom lasów.

Zespoły zabezpieczające maszyny

W niniejszym rozdziale omówiono zespoły zabezpieczające maszyny i ich działanie. Odnośnie kontroli i konserwacji patrz wskazówki pod nagłówkiem "Kontrola, konserwacja i obsługa techniczna zespołów zabezpieczających pilarki". Patrz wskazówki pod nagłówkiem "Opis maszyny", by sprawdzić, gdzie w twojej maszynie umieszczone są te zespoły.

Jeżeli maszyna nie jest prawidłowo konserwowana i nie jest poddawana profesjonalnie wykonywanym naprawom oraz/lub obsłudze technicznej, jej okres użytkowy jest krótszy oraz większe jest ryzyko wypadków. Jeżeli potrzebujesz więcej informacji, skontaktuj się z najbliższym warsztatem serwisowym.



OSTRZEŻENIE! Nie wolno używać maszyny, której zespoły zabezpieczające są uszkodzone. Zespoły zabezpieczające i wyposażenie ochronne należy kontrolować i konserwować. Patrz wskazówki pod nagłówkiem "Kontrola, konserwacja i obsługa techniczna zespołów zabezpieczających pilarki". Jeżeli posiadana maszyna nie spełnia wszystkich warunków objętych czynnościami kontrolnymi, należy oddać ją do warsztatu serwisowego w celu naprawy.

Hamulec łańcucha i zabezpieczenie przed odbiciem

Twoja pilarka wyposażona jest w hamulec łańcucha, którego zadaniem jest zatrzymywanie łańcucha tnącego w razie odbicia. Hamulec łańcucha zmniejsza ryzyko wypadku, lecz tylko Ty, jako operator pilarki, możesz mu ostatecznie zapobiec. Podczas pracy maszyną zachowuj ostrożność i zapewnij, aby strefa odbicia prowadnicy nigdy nie dotykała do żadnego przedmiotu.

- Hamulec łańcucha (A) włączany jest bądź manualnie (lewą ręką), bądź automatycznie za pomocą mechanizmu bezwładnościowego. **(3)**
- Włączenie następuje przez przesunięcie dźwigni mechanizmu zabezpieczającego orzed odbiciem (B) do przodu. **(3)**
- Ruch ten uruchamia mechanizm sprężynowy zaciskający taśmę hamulca (C) wokół siłnikowego układu napędowego łańcucha (D) (bębna sprzęgła). **(4)**
- Zabezpieczenie przed odbiciem nie tylko uruchamia hamulec łańcucha. Inną ważną jego funkcją jest zmniejszanie ryzyka dotknięcia dłonią do łańcucha w razie ześlizgnięcia się jej z uchwytu przedniego.
- W chwili uruchamiania pilarki hamulec łańcucha powinien być włączony, aby łańcuch nie mógł się obracać.
- Używaj hamulca łańcucha jako "hamulca postojowego" przy uruchamianiu i przenoszeniu pilarki na krótkie odległości, by zapobiegać wypadkom w wyniku przypadkowego dotknięcia przez operatora lub inne osoby do łańcucha znajdującego się w ruchu.
- Hamulec łańcucha uwalnia się przez przesunięcie urządzenia zabezpieczającego przed odbiciem do tyłu, w kierunku przedniego uchwytu.

- Odbicie może być gwałtowne i wystąpić nagle. W większości przypadków odbicia są niewielkie i nie zawsze powodują włączenie się hamulca łańcucha. W razie występowania takich odbić należy pewnie trzymać pilarkę i nie puszczać uchwytów.
- Hamulec włączany jest ręcznie lub za pomocą mechanizmu bezwładnościowego, w zależności od siły odbicia i położenia pilarki w stosunku do przedmiotu, z którym zetknęła się strefa odbicia prowadnicy. Hamulec łańcucha jest tak skonstruowany, że w razie silnego odbicia, gdy strefa odbicia prowadnicy znajduje się możliwie najdalej od operatora, włącza się on wskutek działania przeciwiężaru (masy bezwładnościowej) w kierunku odbicia.
Jeżeli odbicie jest słabe lub strefa odbicia prowadnicy znajduje się blisko operatora, hamulec łańcucha włącza się ręcznie, lewą dłonią.
- Podczas ścinki lewa ręka znajduje się w pozycji, która uniemożliwia manualne włączenie hamulca łańcucha. Trzymając pilarkę w ten sposób, tzn. gdy lewa ręka znajduje się w takiej pozycji, że nie może wpłynąć na ruch osłony zabezpieczającej przed odbiciem, hamulec łańcucha może zostać włączony jedynie wskutek działania mechanizmu bezwładnościowego.

Czy zawsze można włączyć hamulec łańcucha ręką w razie odbicia?

Nie. By osłonę zabezpieczającą przed odbiciem przesunąć do przodu wymagane jest użycie pewnej siły. Jeżeli tylko lekko dotkniesz osłony lub zawadzisz o nią ręką, działająca siła może okazać się niewystarczająca, by spowodować włączenie hamulca łańcucha. Podczas pracy musisz także mocno trzymać uchwyt pilarki. Jeśli w takim przypadku nastąpi odbicie, prawdopodobnie nigdy nie puścisz ręką przedniego uchwytu i nie włączysz hamulca łańcucha, lub hamulec ten włączy się dopiero wtedy, gdy pilarka zdąży dobrze się zatoczyć. W takiej sytuacji może się zdarzyć, że hamulec nie zdąży zatrzymać łańcucha, zanim cię on uderzy. Zdarza się także, że w pewnych pozycjach przy pracy nie można dosięgnąć ręką do osłony zabezpieczającej przed odbiciem i włączyć hamulca łańcucha, np. trzymając pilarkę w pozycji do ścinki.

Czy mechanizm bezwładnościowy zawsze włącza hamulec łańcucha w razie odbicia?

Nie. Po pierwsze hamulec musi być sprawny. Hamulce łatwo jest sprawdzić – patrz wskazówki pod nagłówkiem "Kontrola, konserwacja i obsługa techniczna zespołów zabezpieczających pilarki". Zalecamy wykonywanie tego zawsze przed rozpoczęciem pracy na nowej zmianie. Po drugie odbicie musi być odpowiednio silne, by hamulec łańcucha został włączony. Jeśli hamulec łańcucha byłby zbyt czuły, włączałby się bez przerwy, co byłoby kłopotliwe.

Czy hamulec łańcucha zawsze zabezpiecza przed obrażeniami w razie odbicia?

Nie. Po pierwsze hamulec musi być sprawny, by móc zapewnić ochronę. Po drugie musi zostać włączony w opisany powyżej sposób, by móc zatrzymać łańcuch w razie odbicia. Po trzecie, nawet gdy hamulec zostanie włączony, prowadnica

może znajdować się tak blisko ciebie, że hamulec nie zdąży wyhamować i zatrzymać łańcucha, zanim on cię uderzy.

Tylko Ty sam przez stosowanie prawidłowych metod pracy możesz wyeliminować odbicia i ryzyko ich powstawania.

Blokada dźwigni gazu

Blokada dźwigni gazu zabezpiecza przed przypadkowym naciśnięciem dźwigni gazu. Nacisk na dźwignię blokady (A) w momencie ujęcia uchwytu zwalnia dźwignię gazu (B). Po zwolnieniu uchwytu dźwignia gazu i dźwignia blokady powracają do swoich pozycji wyjściowych. Położenie to oznacza, że dźwignia gazu zostaje automatycznie zablokowana na biegu jałowym. (5)

Wychwytnik łańcucha

Wychwytnik łańcucha jest przeznaczony do zatrzymywania łańcucha, gdy pęknie lub spadnie z prowadnicy. Nie powinno się to zdarzyć, gdy łańcuch jest prawidłowo naciągnięty (patrz wskazówki podane pod rubryką Montaże) i gdy prowadnica i łańcuch są odpowiednio konserwowane i obsługiwane (patrz wskazówki podane pod rubryką Ogólne zasady pracy maszyną).

Osłona prawej ręki

Oprócz zabezpieczenia prawej ręki przed spadającym lub pękniętym łańcuchem, osłona chroni także przed puszczeniem dłoni tylnego uchwytu w skutek uderzenia o gałąź.

System tłumienia wibracji

Twoja maszyna jest wyposażona w system tłumienia wibracji, którego zadaniem jest ograniczenie wibracji do minimum i zapewnienie jak największego komfortu podczas pracy maszyną.

System tłumienia wibracji, w który wyposażona jest maszyna, obniża poziom wibracji przekazywanych na uchwyty z silnika/osprzętu tnącego. Korpus pilarki, włącznie z osprzętem tnącym, odizolowany jest od uchwytów za pomocą tzw. elementów amortyzujących.

Piłowanie twardych gatunków drzew (głównie drzew liściastych) wywołuje większe wibracje niż piłowanie gatunków miękkich (większości drzew iglastych). Stosowanie tępego lub uszkodzonego osprzętu tnącego (niewłaściwego lub źle naostrzonego).



OSTRZEŻENIE! Nadmierne wibracje mogą spowodować uszkodzenia naczyń krwionośnych lub nerwów u osób mających problemy z krążeniem. Zgłoś się do lekarza, jeżeli wystąpią objawy fizyczne, które mogą być związane z nadmiernymi wibracjami. Przykładem takich objawów jest drętwienie, brak czucia, „łaskotanie”, „klucie”, ból, całkowita lub częściowa utrata siły, zmiany koloru skóry lub naskórka. Objawy te występują najczęściej w palcach, dłoniach lub nadgarstkach. Mogą one się nasilać w niskich temperaturach.

Wyłącznik

Silnik należy wyłączać za pomocą wyłącznika.

Tłumik

Tłumik służy do zmniejszenia poziomu hałasu oraz odprowadzenia spalin z silnika od operatora.



OSTRZEŻENIE! Spaliny silnikowe mają wysoką temperaturę, mogą zawierać iskry, które mogą się stać przyczyną pożaru. Nigdy nie włączaj maszyny w pomieszczeniach zamkniętych lub w pobliżu materiałów łatwopalnych!

Na obszarach o ciepłym i suchym klimacie niebezpieczeństwo pożaru może być znaczne. Zdarza się, że na obszarach tych obowiązuje ustawodawstwo wymagające, by tłumik wyposażony był m.in. w atestowaną siatkę przeciwiskrową (A). (6)



UWAGA! Podczas pracy maszyną oraz po jej wyłączeniu tłumik jest bardzo gorący. Dotyczy to także pracy na biegu jałowym. Pamiętaj o niebezpieczeństwie pożaru, szczególnie gdy w pobliżu znajdują się łatwo palne materiały oraz/lub gazy.



OSTRZEŻENIE! Nigdy nie używaj pilarki z uszkodzonym tłumikiem. Uszkodzony tłumik znacznie zwiększa hałas i niebezpieczeństwo pożaru. Miej zawsze w pobliżu sprzęt gaśniczy. Nigdy nie używaj pilarki bez siatki przeciwiskrowej lub z uszkodzoną siatką przeciwiskrową, jeżeli taka siatka wymagana jest na terenie, na którym pracujesz.

Osprzęt tnący

W niniejszym rozdziale omówiono, jak dzięki stosowaniu właściwego osprzętu tnącego i prawidłowej jego konserwacji można:

- Zmniejszyć tendencje maszyny do odbijania
- Ograniczyć częstotliwość spadania i pęknięcia łańcucha.
- Zapewnić optymalne cięcie.
- Przedłużyć żywotność osprzętu tnącego
- Zapobiegać narastaniu wibracji.

Zasady ogólne

- **Używaj wyłącznie zalecany przez nas osprzęt tnący.** Patrz wskazówki pod nagłówkiem "Dane techniczne".
- **Zęby tnące łańcucha powinny być odpowiednio naostrzone!** Stosuj się do instrukcji i używaj szablonu do pilników. Uszkodzony lub źle naostrzony łańcuch zwiększa ryzyko wypadku.
- **Utrzymuj prawidłową szczelinę nacięcia łańcucha!** Przestrzegaj naszych instrukcji i używaj zalecane szablony do ograniczników głębokości. Zbyt duża szczelina łańcucha zwiększa ryzyko odbicia.
- **Łańcuch powinien być odpowiednio napięty!** Zbyt luźny łańcuch może spaść z prowadnicy, łańcucha i zębataki napędowej łańcucha.
- **Osprzęt tnący powinien być dobrze nasmarowany i odpowiednio konserwowany!**

Niewystarczające smarowanie łańcucha powoduje jego pęknięcie i prowadzi do szybszego zużycia prowadnicy, łańcucha i zębataki napędowej łańcucha.

Osprzęt tnący ograniczający ryzyko powstania odbicia



OSTRZEŻENIE! Stosowanie niewłaściwego osprzętu tnącego lub zestawu prowadnica/łańcuch tnący zwiększa ryzyko odbicia! Stosuj wyłącznie zalecane przez nas zestawy prowadnica/łańcuch tnący i przestrzegaj instrukcji ostrzeżenia łańcucha. Patrz wskazówki pod nagłówkiem "Dane techniczne".

Jedynym sposobem uniknięcia odbicia jest zadbanie przez użytkownika, aby strefa odbicia prowadnicy nigdy nie dotykała do żadnego przedmiotu.

Stosowanie osprzętu tnącego z "wbudowaną" ochroną przed odbiciem oraz ostrego i dobrze konserwowanego łańcucha powoduje zmniejszenie skutków odbicia.

Prowadnica

Im mniejszy promień końcówki prowadnicy, tym mniejsze prawdopodobieństwo powstawania odbić.

Łańcuch pilarki

Łańcuch pilarki składa się z licznych ogniw dostępnych w wersji standardowej i w wersji obniżającej odbicie.

WAŻNE! Żaden łańcuch tnący nie jest w stanie wyeliminować ryzyka odbicia.



OSTRZEŻENIE! Jakikolwiek kontakt z wirującym łańcuchem tnącym może być przyczyną poważnych obrażeń.

Pojęcia opisujące prowadnicę i łańcuch

By zachować wszystkie elementy zabezpieczające osprzętu tnącego, należy wymienić zużyty lub uszkodzony zestaw prowadnica/łańcuch na prowadnicę i łańcuch zalecane przez Jonsered. W celu uzyskania informacji na temat zalecanych przez nas zestawów prowadnica/łańcuch patrz wskazówki pod nagłówkiem "Dane techniczne".

Prowadnica

- Długość (cale/cm)
- Ilość zębów na zębacie końcówki prowadnicy (T).
- Podziałka łańcucha (=pitch) (cale). Końcówka prowadnicy i zębataki napędowa łańcucha pilarki muszą być dostosowane do odległości między ogniwami prowadzącymi.
- Ilość ogniw prowadzących (szt.). Ilość ogniw prowadzących zależy od długości prowadnicy, podziałki łańcucha i ilości zębów zębataki końcówki prowadnicy.
- Szerokość rowka prowadnicy (cale/mm). Szerokość rowka prowadnicy musi odpowiadać szerokości ogniw prowadzących.
- Otwór smarujący łańcucha i otwór napinacza łańcucha. Prowadnica musi być dostosowana do konstrukcji pilarki.

Łańcuch pilarki

- Podziałka łańcucha pilarki (=pitch) (cale)
- Szerokość ogniwa prowadzącego (mm/cale)
- Ilość ogniw prowadzących (szt.)

Ostrzenie łańcucha i ustalanie szczeliny łańcucha



OSTRZEŻENIE! Przy pracach z łańcuchem należy zawsze ubierać rękawice ochronne w celu ochrony dłoni przed obrażeniami.

Ogólne zasady ostrzenia zębów tnących

- Nigdy nie tnij tępym łańcuchem. O tym, że łańcuch jest tępy, świadczy konieczność wywierania dodatkowego nacisku na pilarkę oraz powstawanie drobnych trocin. Spod bardzo tępego łańcucha nie wylatują w ogóle trociny. Powstaje jedynie pył.
- Ostry łańcuch łatwo wchodzi w drewno i wylatują spod niego duże i długie trociny.
- Tnąca część łańcucha pilarki to ogniwo tnące, które składa się z zęba tnącego (A) i ogranicznika głębokości (B). Różnica wysokości ogniwa tnącego i ogranicznika określa głębokość cięcia. (7)

Podczas ostrzenia zęba tnącego należy zwracać uwagę na cztery wymiary.

- 1 Kącie zaostrowania
- 2 Kącie ostrza
- 3 Kącie pozycji pilnika (kącie czołowym)
- 4 Średnicy pilnika okrągłego

Bardzo trudno jest naostrzyć łańcuch tnący bez narzędzi pomocniczych. Dlatego zalecamy posługiwanie się oferowanym przez nas prowadnikiem pilnika z szablonem do ograniczników. Zapewnia on prawidłowe naostrzenie łańcucha, tzn. takie, by optymalna była redukcja odbić i zdolność cięcia.

Odnosnie danych obowiązujących dla ostrzenia łańcucha tnącego posiadanej pilarki patrz wskazówki pod nagłówkiem "Dane techniczne".



OSTRZEŻENIE! Odstępstwa od instrukcji ostrzenia łańcucha prowadzą do znacznego zwiększenia tendencji do odbić.

Ostrzenie zębów tnących

Do naostrzenia zęba tnącego potrzebny jest pilnik okrągły i prowadnik pilnika z szablonem do ograniczników. Patrz wskazówki pod nagłówkiem "Dane techniczne" odnośnie informacji na temat zalecanej średnicy pilnika okrągłego i zalecanego do twojej pilarki prowadnika pilnika z szablonem do ograniczników.

- Sprawdź, czy łańcuch jest dobrze napięty. W razie niewystarczającego napięcia łańcucha powstają odchylenia boczne utrudniające jego prawidłowe naostrzenie.

- Zęby tnące należy ostrzyć w jedną stronę, od strony wewnętrznej na zewnątrz. Nie naciskaj na pilnik przy ruchu powrotnym. Naostrz zęby po jednej stronie łańcucha, obróć pilarkę i naostrz zęby po drugiej stronie.
- Zęby należy ostrzyć tak, aby miały jednakową długość. Długość zębów tnących poniżej 4 mm (0,16") świadczy o zużyciu łańcucha i konieczności jego wymiany. (8)

Ogólnie o ustawianiu szczeliny łańcucha

- Wskutek ostrzenia zęba tnącego zmniejsza się szczelina łańcucha (= głębokość cięcia). Aby łańcuch mógł zachować maksymalną zdolność cięcia konieczne jest obniżenie ogranicznika głębokości do zalecanego poziomu. Patrz wskazówki pod nagłówkiem "Dane techniczne" odnośnie informacji na temat wielkości szczeliny łańcucha posiadanej pilarki.



OSTRZEŻENIE! Zbyt duża szczelina łańcucha zwiększa jego tendencje do odbić!

Ustalanie szczeliny łańcucha

- W chwili ustalania szczeliny łańcucha zęby tnące muszą być nowo naostrzone. Zalecamy ustalanie szczeliny co trzech raz przy okazji ostrzenia łańcucha. UWAGA! Wychodzimy przy tym z założenia, że zęby tnące nie zostały na długość spilowane więcej niż potrzeba.
- Do ustalania szczeliny łańcucha potrzebny jest pilnik płaski i szablon do ograniczników. Zalecamy używanie naszego prowadnika pilnika z szablonem do ograniczników, by zapewnić prawidłowy wymiar szczeliny łańcucha i prawidłowy kąt ogranicznika.
- Umieść szablon na łańcuchu tnącym. Instrukcja stosowania szablonu znajduje się na opakowaniu. Spiluj nadmiar wystającej części ogranicznika za pomocą pilnika płaskiego. Szczelina łańcucha jest prawidłowa, gdy podczas wykonywania ruchów pilnikiem w szablonie nie występuje opór.

Napinanie łańcucha pilarki



OSTRZEŻENIE! Zbyt luźny łańcuch może spaść z prowadnicy i spowodować poważne obrażenia, nawet zagrażające życiu.



OSTRZEŻENIE! Zawsze używaj zatwierdzonych rękawic ochronnych. Nawet łańcuch nie będący w ruchu może spowodować poważne obrażenia operatora lub innych osób, które się z nim zetkną.

Łańcuch ulega wydłużaniu w trakcie używania. Ważne jest, aby po zmianie długości przez łańcuch wyregulować osprzęt tnący.

Sprawdzaj napięcie łańcucha podczas każdego tankowania. UWAGA! Nowy łańcuch wymaga pewnego czasu na "dotarcie", podczas którego napięcie łańcucha należy sprawdzać częściej.

Ogólną zasadą jest, aby łańcuch był napięty możliwie najmocniej, jednak nie więcej niż tak, by można go było łatwo przesunąć ręką po prowadnicy. (9)

- Odkręć nakrętki prowadnicy mocujące osłonę sprzęgła/hamulec łańcucha. Użyj do tego klucza kombinowanego. Następnie ręcznie dokręć nakrętki prowadnicy do oporu. (10)
- Podtrzymując końcówkę prowadnicy i naciągnij łańcuch, dokręcając śrubę napinacza kluczem kombinowanym. Łańcuch należy napiąć tak, aby przylegał do dolnej części prowadnicy. (11)
- Podtrzymując końcówkę prowadnicy dociągnij kluczem kombinowanym nakrętki śrub mocujących prowadnicę. Sprawdź, czy możesz łatwo przesunąć ręką łańcuch po prowadnicy i czy przylega on ściśle do jej dolnej części. (12)

Smarowanie osprzętu tnącego



OSTRZEŻENIE! Niewystarczające smarowanie osprzętu tnącego może spowodować pęknięcie łańcucha i być przyczyną poważnych obrażeń, nawet zagrażających życiu.

Olej do smarowania łańcucha

Olej do smarowania łańcucha powinien charakteryzować się odpowiednią lepkością oraz dobrą płynnością zarówno podczas upalnego lata, jak i mroźnej zimy.

Jako producenci pilarek opracowaliśmy wysokiej jakości oleju roślinny ulegający całkowitemu rozkładowi biologicznemu. Zalecamy korzystanie z tego oleju w celu wydłużenia okresu użytkowania łańcucha oraz ochrony środowiska. Gdy nasz olej nie jest dostępny, zalecamy stosowanie zwykłego oleju do łańcuchów.

Nigdy nie stosuj zużytego oleju! Jest on szkodliwy dla ciebie, maszyny i środowiska naturalnego.

WAŻNE! W razie stosowania roślinnego oleju łańcuchowego, przed złożeniem pilarki na dłuższe przechowanie zdejmij i oczyść rowek prowadnicy oraz łańcuch tnący. W przeciwnym razie istnieje ryzyko utleniania się oleju łańcuchowego, przez co łańcuch zaczyna być sztywny i zaczyna się zębatka prowadnicy.

Zupełnianie oleju do smarowania łańcucha

- Wszystkie nasze modele pilarek posiadają automatyczny system smarowania łańcucha. Niektóre modele dostępne są także w wersji z regulacją przepływu oleju.
- Zbiornik oleju łańcuchowego i zbiornik paliwa są tak dobrane pod względem pojemności, by paliwo kończyło się zanim skończy się olej.

To zabezpieczenie zakłada jednak, że stosowany jest prawidłowy olej łańcuchowy (zbyt rzadki olej kończy się w zbiorniku wcześniej niż paliwo), że przestrzegane są nasze zalecenia dotyczące ustawienia gaźnika (ustawienie na zbyt "ubogą" mieszankę powoduje, że paliwo starcza na dłużej niż olej łańcuchowy) oraz że przestrzegane są nasze zalecenia dotyczące osprzętu tnącego (zbyt długa prowadnica wymaga więcej oleju łańcuchowego).

Sprawdzanie smarowania łańcucha

- Smarowanie łańcucha sprawdzaj przy każdym tankowaniu. Patrz wskazówki pod nagłówkiem "Smarowanie zębátki prowadnicy".

Skieruj końcówkę prowadnicy na jasną powierzchnię z odległości ok. 20 cm (8 cali). Ustaw obroty na ok. 3/4 otwarcia przepustnicy i utrzymuj je przez 1 minutę, po czym na jasnej powierzchni powinieneś zauważyć wyraźną smugę wyrzucanego oleju.

Jeśli smarowanie łańcucha nie funkcjonuje należy:

- Sprawdzić, czy kanał olejowy prowadnicy nie jest zatkany. W razie potrzeby oczyść go.
- Sprawdzić, czy rowek prowadnicy jest czysty. W razie potrzeby oczyść go.
- Sprawdzić, czy zębatka końcówki prowadnicy łatwo obraca się i czy otwór smarujący nie jest zatkany. W razie potrzeby oczyść go i nasmaruj końcówkę.

Jeśli po wykonaniu w/w czynności układ smarowania łańcucha nadal nie funkcjonuje, należy zwrócić się do warsztatu obsługi technicznej.

Zębatka napędowa łańcucha

Bęben sprzęgła wyposażony jest w czołowe koło zębate (zębatka łańcucha przylutowana do bębna).

Sprawdzaj regularnie stopień zużycia zębátki napędowej łańcucha. Wymień ją, jeśli jest znacznie zużyta. Zębatkę napędową łańcucha należy wymieniać przy każdej wymianie łańcucha pilarki.

Kontrola zużycia osprzętu tnącego

Sprawdzaj codziennie łańcuch pilarki w celu ustalenia:

- Czy nie ma widocznych pęknięć główek nitów i ogniw.
- Czy łańcuch jest sztywny.
- Czy główki nitów i ogniwa nie są znacznie zniszczone.

Łańcuch tnący, który wykazuje cechy podane w powyższych punktach, należy oddać do kasacji.

W celu ustalenia stopnia zużycia łańcucha zalecamy porównanie go z całkiem nowym łańcuchem.

Gdy długość zębów tnących jest mniejsza niż 4 mm, łańcuch pilarki jest zużyty i należy go wymienić.

Prowadnica

Sprawdzaj regularnie:

- Czy na krawędziach prowadnicy występuje drut. W razie potrzeby usuń go za pomocą pilnika. (13A)
- Czy rowek prowadnicy jest wyrobiony. W razie potrzeby wymień prowadnicę. (13B)
- Czy końcówka prowadnicy nie jest nierówno lub mocno zużyta. Jeśli po jednej stronie końcówki, w miejscu gdzie jej promień styka się z dolną krawędzią prowadnicy, tworzy się wgłębienie, oznacza to, że łańcuch nie był wystarczająco napięty.

- W celu maksymalnego przedłużenia żywotności prowadnicy należy codziennie ją obracać.



OSTRZEŻENIE! Przyczyną większości wypadków z udziałem pilarek jest zetknięcie się łańcucha z operatorem.

Stosuj środki ochrony osobistej. Patrz wskazówki podane pod rubryką Środki ochrony osobistej.

Nie podejmuj się pracy przekraczającej Twoje możliwości. Patrz wskazówki podane pod rubryką Środki ochrony osobistej, Czynnności w celu uniknięcia odbicia, Osprzęt tnący i Ogólne zasady pracy maszyną.

Unikaj sytuacji, w których zachodzi ryzyko odbicia. Patrz wskazówki podane pod rubryką Zespoły zabezpieczające maszyny.

Stosuj zalecany osprzęt tnący i sprawdzaj jego stan. Patrz wskazówki podane pod rubryką Ogólne zasady pracy maszyną.

Sprawdź, czy wszystkie zespoły zabezpieczające są sprawne. Patrz wskazówki podane pod rubrykami Ogólne zasady pracy maszyną oraz Ogólne zasady bezpieczeństwa.

Montaż prowadnicy i łańcucha



OSTRZEŻENIE! Przed rozpoczęciem sprawdzania działania lub wykonaniem prac konserwacyjnych należy wyłączyć silnik. Wyłącznik powraca samoczynnie w położenie "start". Dlatego przed przystąpieniem do montażu, kontroli oraz/lub konserwacji należy zawsze zdejmować nasadkę ze świecy zapłonowej w celu zapobieżenia niezamierzonemu uruchomieniu silnika.

Przy pracach z łańcuchem należy zawsze ubierać rękawice ochronne w celu ochrony dłoni przed obrażeniami.

Sprawdź, czy hamulec łańcucha nie znajduje się w położeniu włączonym przesuwaną w tym celu zabezpieczenie przed odbiciem (dźwignię hamulca łańcucha) do uchwytu przedniego.

Odkręć nakrętki znajdujące się na prowadnicy i odłącz osłonę sprzęgła (hamulec łańcucha). Zdejmij zabezpieczenie transportowe. (A) (15)

Nalóż prowadnicę na śruby. Przesuń ją w tylnie skrajne położenie. Załóż łańcuch na zębatkę napędową łańcucha, a następnie włóż go w rowek prowadnicy. Zaczynij od górnej strony prowadnicy. (17)

Upewnij się, czy krawędzie ogniw tnących na górnej stronie prowadnicy są zwrócone do przodu, w kierunku końcówki.

Zamontuj osłonę sprzęgła (hamulec łańcucha) i wprowadź kołek napinacza łańcucha do otworu w prowadnicy. Sprawdź, czy ogniwa prowadzące łańcucha są ułożone prawidłowo na zębatce napędowej i w rowku prowadnicy. Dokręć palcami nakrętki śrub prowadnicy. (17)

Napnij łańcuch tnący, obracając kluczem kombinowanym śrubę napinacza zgodnie z ruchem wskazówek zegara. Łańcuch należy napiąć tak, aby przylegał ściśle do dolnej części prowadnicy. Patrz wskazówki znajdujące się pod nagłówkiem "Napinanie łańcucha tnącego". (18)

Łańcuch jest prawidłowo napięty, gdy ściśle przylega do dolnej strony prowadnicy, lecz można go łatwo obracać ręką wokół prowadnicy. Podtrzymując końcówkę prowadnicy dociągnij kluczem kombinowanym nakrętki śrub mocujących prowadnicę. (19)

Sprawdź często napięcie nowozamontowanego łańcucha, aż do czasu, gdy będzie on dotarty. Napięcie łańcucha należy kontrolować regularnie. Właściwy łańcuch zapewnia dobrą wydajność skrawania i posiada długą żywotność. (19)

Montaż zderzaka

W celu zamontowania zderzaka należy zwrócić się do warsztatu obsługi technicznej.

Paliwo

Zauważ! Maszyna wyposażona jest w silnik dwusuwowy. Jako paliwo można stosować wyłącznie mieszankę benzyny z olejem do dwusuwów. Aby zapewnić prawidłową proporcję mieszanki, należy dokładnie odmierzyć tę ilość oleju, która ma zostać zmieszana z benzyną. W przypadku sporządzania małej ilości mieszanki, nawet niewielkie zachwianie proporcji może znacznie wpłynąć na jej skład.



OSTRZEŻENIE! Zapewnij dobrą wentylację wszędzie, gdzie masz do czynienia z paliwem.

Benzyzna

- Stosuj benzynę bezołowiową lub ołowiową wysokiej jakości.
- Zaleca się stosować benzynę o liczbie oktanowej (RON) nie mniejszej niż 90. W razie stosowania benzyny o liczbie oktanowej mniejszej niż 90 może występować tzw. stukanie. Prowadzi to do większej temperatury silnika i większego obciążenia łożysk, co może stać się przyczyną poważnej awarii silnika.
- Praca silnika na stale wysokich obrotach (np. przy okrzesywaniu) wymaga stosowania benzyny o liczbie oktanowej powyżej 90.

Docieranie

W ciągu pierwszych dziesięciu godzin należy unikać dłuższych momentów pracy na zbyt wysokich obrotach.

Olej do silników dwusuwowych

- W celu zapewnienia najlepszego rezultatu i najlepszych osiągnięć stosuj olej JONSERED do silników dwusuwowych, który jest specjalnie dostosowany do naszych silników dwusuwowych, chłodzonych powietrzem.
- Nigdy nie używaj oleju do dwusuwów przeznaczonego do chłodzonych wodą, przyczepnych silników do łodzi, czyli tzw. oleju do silników przyczepnych (oznaczonego TCW).
- Nigdy nie używaj oleju przeznaczonego do silników czterosuwowych.
- Niska jakość oleju lub zbyt bogata mieszanka benzyny z olejem może mieć negatywny wpływ na działanie katalizatora i na jego okres użytkowania.

Olej taki stosuje się w proporcji

1:50 (2%) z olejem JONSERED do silników dwusuwowych.

1:33 (3%) z innymi olejami do chłodzonych powietrzem silników dwusuwowych, sklasyfikowanymi jako JASO FB/ISO EGB.

Benzyna, w litrach	Olej do silników dwusuwowych, w litrach	
	2% (1:50)	3% (1:33)
5	0,10	0,15
10	0,20	0,30
15	0,30	0,45
20	0,40	0,60

Sporządzanie mieszanki

- Mieszankę sporządzaj w czystym pojemniku, zatwierdzonym jako odpowiedni do przechowywania benzyny.
- Do naczynia nalej najpierw połowę benzyny przeznaczonej do sporządzenia mieszanki. Następnie dodaj do niej całą dawkę oleju. Wymieszaj dokładnie paliwo z olejem potrząsając pojemnikiem. Dolej pozostałą ilość benzyny.
- Przed każdorazowym nalaniem paliwa do zbiornika maszyny wymieszaj je dokładnie potrząsając kanistrem.
- Nie sporządzaj mieszanki w ilości większej niż to jest potrzebne do 1 miesięcznego użycia.
- Zbiornik paliwa nieużywanej przez dłuższy czas maszyny należy opróżnić i oczyścić.

Olej do smarowania łańcucha

- Jako środek smarujący zaleca się stosować specjalny olej (do smarowania łańcucha) o dobrej zdolności przylegania.
- Nie wolno stosować olejów przepracowanych. Niszczą one pompę olejową, prowadnicę i łańcuch pilarki.
- Ważne jest, aby rodzaj oleju dostosowany był do temperatury otoczenia (odpowiednia lepkość oleju).
- Niektóre rodzaje olejów w temperaturze poniżej 0°C stają się bardziej lepkie. Może to spowodować przeciążenie pompy olejowej i jej uszkodzenie.
- W celu wybrania odpowiedniego oleju do smarowania łańcucha skontaktuj się ze swoim warsztatem obsługi technicznej.

Tankowanie



OSTRZEŻENIE! Podczas tankowania przestrzegaj następujących zasad, które zmniejszają ryzyko pożaru:

Nie pal tytoniu i nie pozostawiaj gorących przedmiotów w pobliżu paliwa.

Przed przystąpieniem do tankowania, wyłącz silnik i odczekaj kilka minut aż ostygnie.

Korek wlewowy otwieraj ostrożnie, ponieważ wewnątrz zbiornika może panować nadciśnienie.

Po zatankowaniu dokładnie zakręć korek wlewowy.

Przed uruchomieniem maszyny przenieś ją na bezpieczną odległość od miejsca tankowania.

Przed nalaniem paliwa oczyść korek wlewowy i powierzchnię wokół niego. Czyść regularnie zbiornik paliwa i zbiornik oleju do smarowania łańcucha. Filtr paliwowy należy wymieniać co najmniej raz do roku. Zanieczyszczenia dostające się do zbiornika mogą być przyczyną zakłóceń w pracy silnika. Zadbaj o to, aby paliwo było dobrze zmieszane potrząsając kanistrem przed zatankowaniem. Zbiornik paliwa i zbiornik oleju do smarowania łańcucha mają wzajemnie dopasowaną pojemność. Dlatego paliwo i olej do smarowania łańcucha należy zawsze uzupełniać jednocześnie.



OSTRZEŻENIE! Paliwo i jego opary są niezwykle łatwopalne. Zachowuj ostrożność podczas obchodzenia się z paliwem i olejem do smarowania łańcucha. Pamiętaj o niebezpieczeństwie pożaru i eksplozji oraz o ryzyku wdychania oparów i związanej z tym szkodliwości dla zdrowia.

Zasady bezpieczeństwa – paliwo

- Nigdy nie tankuj paliwa do maszyny, gdy uruchomiony jest silnik.
- Zapewnij dobrą wentylację w miejscach, gdzie tankujesz lub przygotowujesz mieszankę paliwa do silników dwusuwowych (benzyna i olej do dwusuwów).
- Przed uruchomieniem przenieś maszynę na odległość co najmniej 3 m od miejsca tankowania.
- Nigdy nie uruchamiaj maszyny, gdy:
 - 1 Rozlałeś na maszynę paliwo lub olej do smarowania łańcucha. Wytrzyj ją i poczekaj, aż wyschną resztki benzyny.
 - 2 Jeżeli oblałeś paliwem siebie lub swoje ubranie, zmień ubranie. Przerzemyj te części ciała, które miały styczność z paliwem. Użyj wody i mydła.

- 3 Paliwo wycieka z maszyny. Regularnie sprawdzaj szczelność korka wlewowego i przewodów paliwowych.



OSTRZEŻENIE! Nigdy nie używaj maszyny, w której nasadka świecy zapłonowej i przewód zapłonowy mają widoczne uszkodzenia. Zachodzi wówczas ryzyko iskrzenia, co może być przyczyną pożaru.

Transport i przechowywanie

- Pylarkę i paliwo należy przechowywać w taki sposób, aby ewentualne wycieki i opary paliwa nie mogły zetknąć się z iskrą lub otwartym płomieniem. Oznacza to, że należy je przechowywać z dale od np. maszyn elektrycznych, silników elektrycznych, kontaktów/pr
- Paliwo przechowuj w specjalnie do tego celu przeznaczonym i zatwierdzonym zbiorniku.
- W przypadku dłuższego okresu przechowywania pylarki lub w czasie jej transportu, należy opróżnić zbiorniki paliwa i oleju do smarowania łańcucha. Jeżeli masz w zbiorniku lub w kanistrze paliwo nie nadające się do użytku, zgłoś się do najbliższej stacji CP
- Przed odstawieniem maszyny na dłuższe przechowanie należy ją dokładnie oczyścić i przeprowadzić kompletny serwis.
- Podczas transportu lub przechowywania na osprzęt tnący zawsze musi być założona osłona transportowa, chroniąca przed niezamierzonym dotknięciem do ostrego łańcucha. Nawet łańcuch nie będący w ruchu może spowodować poważne obrażenia operatora lub innych osób, które się z nim zetkną.
- Na czas transportu maszynę należy zabezpieczyć.

Dłuższe przechowywanie

Opróżnij zbiornik paliwa w zbiornik oleju w miejscu o dobrej wentylacji. Przechowuj paliwo w atestowanych kanistrach, w bezpiecznym miejscu. Załóż osłonę prowadnicy. Oczyść maszynę. Patrz wskazówki pod nagłówkiem "Plan obsługi technicznej".

Uruchamianie i wyłączanie



OSTRZEŻENIE! Przystępując do uruchomienia należy pamiętać o przestrzeganiu następujących zasad:

Podczas uruchamiania maszyny hamulec łańcucha musi być włączony, aby zmniejszyć ryzyko dotknięcia do wirującego łańcucha.

Nigdy nie uruchamiaj pilarki, gdy prowadnica, łańcuch pilarki i wszystkie osłony nie są zamontowane. W przeciwnym razie może obluźwiać się sprzęgło i spowodować obrażenia.

Ustaw maszynę na twardym podłożu. Przyjmij stabilną pozycję i upewnij się, że łańcuch nie dotyka do żadnego przedmiotu.

Upewnij się, czy w pobliżu miejsca pracy nie ma osób nieupoważnionych.

Zimny silnik

Uruchamianie: Podczas uruchamiania pilarki musi być włączony hamulec łańcucha. Włącz hamulec przesuwając do przodu zabezpieczenie przed odbiciem. (20)

1. Pompa paliwowa: Przyciśnij kilkakrotnie gumową gruszkę ręcznej pompy paliwowej, tak aby napełniła się paliwem. Gruszka nie musi być napełniona całkowicie. (23)

2. Ssanie: Wyciągnij niebieską dźwignię przepustnicy/regulacji obrotów uruchamiania całkowicie na zewnątrz (to położenia **FULL CHOKE**). Przy całkowicie wyciągniętym cięgnię ssania automatycznie ustawiany jest prawidłowy tryb rozruchu. (21)

Obroty rozruchowe: Kombinacja ssanie/obroty rozruchowe ustawiana jest przez przesunięcie dźwigni ssania do położenia włączenia. (22)

Uruchamianie

Uchwycić pewnie lewą ręką uchwyt przedni. Ustaw lewą stopę na dolnej części tylnego uchwytu przyciskając w ten sposób pilarkę do ziemi.

3. Ujmij prawą ręką uchwyt rozrusznika i pociągnij go wolno do oporu (do momentu załapania trybów rozrusznika), a następnie pociągaj mocno i szybko do momentu uruchomienia silnika **Nigdy nie owijaj linki rozrusznika wokół dłoni.** (25)

UWAGA! Nie wyciągaj linki rozrusznika całkowicie i nie puszczaj jej nagle, gdy jest wyciągnięta. Może to spowodować uszkodzenie maszyny.

4. Jak tylko silnik zostanie uruchomiony wciśnij dźwignię ssania do położenia „1/2 choke”, czego sygnałem będzie słyszalny dźwięk „puff”. (21)

5. Powtarzaj silne pociąganie linki do momentu uruchomienia silnika. (26) Pozwól, aby silnik rozgrzał się przez 30 sekund, następnie wciśnij dźwignię gazu do położenia wolnych obrotów.

Ponieważ hamulec łańcucha nadal jest włączony, obroty silnika należy jak najszybciej zmniejszyć do obrotów biegu jałowego, co można osiągnąć szybko naciskając jednokrotnie spust gazu. W ten sposób zapobiega się nadmiernemu zużyciu sprzęgła, bębna sprzęgła oraz pasa hamulca.

Zauważ! Przywróć hamulec łańcucha do stanu gotowości, odprowadzając ochronę przed odbiciem (oznaczoną "PULL BACK TO RESET") w stronę pałoka uchwytu. Pilarka jest teraz gotowa do użycia. (27)

Ciepły silnik

Wykonaj te same czynności jak podczas uruchamiania zimnego silnika, z wyjątkiem włączenia ssania. Ustaw dźwignię ssania w położeniu rozruchowym wyciągając niebieską dźwignię do pozycji ssania, po czym ponownie ją naciśnij. (24)



OSTRZEŻENIE! Długotrwałe wdychanie spalin silnikowych, zawiesiny oleju łańcuchowego w powietrzu oraz pyłu towarzyszącego powstawaniu wirów może być szkodliwe dla zdrowia.

- Nigdy nie uruchamiaj pilarki, gdy prowadnica, łańcuch pilarki i wszystkie osłony nie są prawidłowo zamontowane. Patrz wskazówki podane pod rubryką Montaż. Gdy prowadnica i łańcuch nie są zamontowane do pilarki, sprzęgło może obluźwiać się i spowodować poważne obrażenia. (28)
- Podczas uruchamiania maszyny hamulec łańcucha musi być włączony. Patrz wskazówki pod nagłówkiem "Uruchamianie i zatrzymywanie". Nigdy nie uruchamiaj pilarki trzymając za rączkę rozrusznika i puszczając pilarkę do ziemi. Jest to bardzo niebezpieczny sposób, gdyż łatwo jest utracić kontrolę nad pilarką. (29)
- Nigdy nie uruchamiaj maszyny w pomieszczeniach. Pamiętaj o tym, że wdychanie spalin silnikowych jest niebezpieczne.
- Obserwuj, co dzieje się w otoczeniu i upewnij się, czy nie zachodzi ryzyko, że ludzie lub zwierzęta mogą zetknąć się z osprzętem tnącym.
- Trzymaj zawsze pilarkę dwoma rękoma. Prawą ręką trzymaj za uchwyt tylny, a lewą za uchwyt przedni. **Operator, bez względu na to czy jest prawo- czy leworęczny, musi trzymać w ten sposób.** Trzymaj mocno, tak by kciuki i palce obejmowały uchwyty pilarki. (30)

Wyłączanie silnika

Zatrzymaj silnik naciskając przycisk wyłącznika. (31)

Zawsze przed użytkowaniem: (32)

- 1 Sprawdź, czy hamulec łańcucha działa bez zarzutu i czy nie jest uszkodzony.
- 2 Sprawdź, czy tylna osłona prawej ręki nie jest uszkodzona.
- 3 Sprawdź, czy blokada dźwigni gazu działa bez zarzutu i czy nie jest uszkodzona.
- 4 Sprawdź, czy wyłącznik działa prawidłowo i czy nie jest uszkodzony.
- 5 Sprawdź, czy żaden uchwyt nie jest zaolejony.
- 6 Sprawdź, czy system tłumienia wibracji działa i czy nie jest uszkodzony.
- 7 Sprawdź, czy tłumik jest dobrze zamontowany i czy nie jest uszkodzony.
- 8 Sprawdź, czy wszystkie elementy pilarki są dobrze dokręcone, czy nie są uszkodzone lub czy nie jest ich brak.
- 9 Sprawdź, czy wychwytnik łańcucha znajduje się na swoim miejscu i czy nie jest uszkodzony.
- 10 Sprawdź napięcie łańcucha.

Ogólne zasady pracy maszyną

WAŻNE!

Rozdział ten poświęcono podstawowym zasadom bezpieczeństwa, które należy zachować podczas pracy pilarką. Nic nie zastąpi jednak doświadczenia i profesjonalnych umiejętności. W razie niepewności zasięgnij porady eksperta. Zwróć się do punktu sprzedaży pilarek, warsztatu obsługi technicznej lub doświadczonego użytkownika pilarki. Nigdy nie podejmuj się zadań przekraczających Twoje siły i umiejętności!

Przed przystąpieniem do pracy pilarką należy zapoznać się z przyczynami i skutkami odbicia oraz ze sposobami unikania odbicia. Patrz wskazówki podane pod rubryką Czynności w celu uniknięcia odbicia.

Przed przystąpieniem do pracy pilarką należy zapoznać się z różnicą w cięciu górną i dolną krawędzią prowadnicy. Patrz wskazówki pod nagłówkiem "Czynności zapobiegające odbiciom i zespoły zabezpieczające maszyny".

Stosuj środki ochrony osobistej. Patrz wskazówki podane pod rubryką Środki ochrony osobistej.

Podstawowe zasady bezpieczeństwa

- 1 Rozglądnij się, aby:
 - Upewnić się, że w pobliżu nie znajdują się ludzie, zwierzęta lub przedmioty mogące mieć wpływ na sprawowanie przez Ciebie kontroli nad maszyną.
 - Upewnić się, że ludzie lub zwierzęta nie znajdują się w zasięgu maszyny i nie ryzykują dotknięcia do łańcucha pilarki lub nie zagrażają im obalane drzewa.

UWAGA! Przestrzegaj powyższych zasad, lecz nigdy nie używaj pilarki, gdy w razie wypadku nikt nie mógłby Ci przyjść z pomocą.

- 2 Nie należy używać maszyny w złych warunkach atmosferycznych. Np. w czasie gęstej mgły, dużych opadów, silnego wiatru, dużego mrozu itp. Praca przy złej pogodzie jest męcząca i niesie ze sobą dodatkowe

zagrożenia np. śliski grunt, niemożliwość do przewidzenia kierunku obalania drzew itp.

- 3 Zachowuj szczególną ostrożność podczas ścinania małych gałęzi i unikaj ścinania krzewów (tzn. jednoczesnego ścinania wielu małych gałęzi). Dostają się one do łańcucha i są wyrzucane w Twój kierunek, mogą spowodować poważne obrażenia.
- 4 Zapewnij sobie bezpieczne poruszanie i pozycję przy pracy. Przy poruszaniu się po powierzchni roboczej należy uważać na ewentualne przeszkody (korzenie, glazy, gałęzie, doły, rowy itp.). Szczególną ostrożność należy zachować podczas pracy na terenie pochy
- 5 Zachowaj szczególną ostrożność podczas cięcia naprężonych drzew. Naprężone drzewo może zerwać się przed, jak i po przecięciu sprężyną powracając do swojego normalnego położenia. W razie nieprawidłowego ustawienia się przy drzewie lub niewłaściwego umiejscowienia rządu drzewo może uderzyć w Ciebie lub w maszynę, w wyniku czego możesz stracić kontrolę. Obie okoliczności mogą doprowadzić do poważnych obrażeń ciała.
- 6 W razie potrzeby przeniesienia pilarki należy wyłączyć silnik i zablokować łańcuch za pomocą hamulca łańcucha. Pilarkę należy przenosić z prowadnicą skierowaną do tyłu. W razie przenoszenia pilarki na dłuższą odległość lub konieczności jej przetransportow
- 7 Stawiając pilarkę na ziemi należy zabezpieczać łańcuch tnący za pomocą hamulca łańcucha i mieć maszynę pod nadzorem. W razie odstawienia maszyny na dłuższy czas należy wyłączyć silnik.



OSTRZEŻENIE! Może zdarzyć się, że trociny wejdą w osłonę sprzęgła powodując zablokowanie się łańcucha. Zawsze wyłączaj silnik, zanim przystąpisz do czyszczenia.

Zasady ogólne

- 1 Poznając przyczyny powstania odbicia można zmniejszyć lub wyeliminować element zaskoczenia występujący w momencie jego powstania. Zaskoczenie zwiększa ryzyko wypadku. Odbicie jest zazwyczaj łagodne, lecz czasami może być szybkie i gwałtowne.
- 2 Pracując pilarką należy zawsze trzymać ją mocno oburącz, prawą ręką za uchwyt tylny, lewą za uchwyt przedni. Palce powinny dokładnie obejmować uchwyty. Pilarkę należy zawsze trzymać w ten sposób, bez względu na to, czy operator jest prawy- czy leworęczny. Pewne utrzymywanie pilarki w podany sposób zmniejsza skutki odbicia i pozwala na zachowanie kontroli nad pilarką. **Nie puszczaj uchwytów!**
- 3 Najwięcej wypadków powodowanych odbiciem ma miejsce podczas okrzesywania. Upewnij się, że stoisz na stabilnym podłożu pozbawionym przeszkód, o które mógłbyś się potknąć i stracić równowagę.

W przypadku braku ostrożności strefa odbicia prowadnicy może przypadkowo zetknąć się z gałęzią, pobliskim drzewem lub innym przedmiotem i spowodować odbicie.

Musisz mieć cięty przedmiot pod kontrolą. Jeżeli cięte przedmioty są małe i lekkie, mogą zaczepić się o łańcuch i zostać odrzucone w twój kierunek. Nawet jeśli nie

musi to być groźne, może cię to zaskoczyć i możesz stracić panowanie nad pilarką. Nigdy nie tnij kłód lub gałęzi ułożonych jedne na drugich, tylko je najpierw rozdziel. Nie tnij jednocześnie więcej niż jednej kłody lub jednego przedmiotu. Usuwać odcięte kawałki, by utrzymać w miejscu pracy bezpieczne warunki.

4 Nigdy nie pracuj pilarką ponad poziomem ramion i staraj się nie ciąć końcówką prowadnicy. Nigdy nie pracuj pilarką trzymając ją jedną ręką! (33)

5 Warunkiem sprawowania pełnej kontroli nad pilarką jest stabilna pozycja przy pracy. Nigdy nie należy pracować stojąc na drabinie, znajdując się na drzewie lub nie mając stabilnego podłoża pod nogami. (34)

6 Podczas pracy pilarką należy utrzymywać wysokie obroty silnika, tzn. pełen gaz.

7 Zachowuj jak największą ostrożność podczas cięcia górną krawędzią prowadnicy, tzn. podczas cięcia przedmiotu od dołu. Ten rodzaj cięcia określanej jest czasami jako cięcie przy odpychającym ruchu łańcucha. Łańcuch ma wówczas tendencję do popychania pilarki. W razie zakleszczenia się łańcucha tnącego, pilarka może zostać odrzucona do tyłu, w twoją stronę.

8 Jeżeli użytkownik nie kontroluje wystarczająco tendencji pilarki do przesuwania się wstecz, zachodzi ryzyko, że przesunie się ona tak daleko do tyłu, iż tylko strefa odbicia prowadnicy będzie miała kontakt z pilowanym przedmiotem, co prowadzi do odbicia. (35)

Praca dolną krawędzią prowadnicy, tzn. podczas cięcia przedmiotu od góry, jest czasem określaną jako praca przy ciągnącym ruchu łańcucha. W tym przypadku następuje przyciąganie pilarki w kierunku ciętego drewna, przy czym przednia krawędź korpusu pilarki stanowi dla jej naturalne oparcie w stosunku do kłody. Praca dolną krawędzią prowadnicy ułatwia użytkownikowi kontrolę nad pilarką i położeniem strefy odbicia prowadnicy.

9 Przestrzegaj zasad ostrzenia i konserwacji prowadnicy i łańcucha pilarki. Wymieniając prowadnicę i łańcuch pilarki należy stosować wyłącznie zalecane przez nas zestawy. Patrz wskazówki podane pod rubrykami Osprzęt tnący i Dane techniczne.

Podstawowa technika ścinki



OSTRZEŻENIE! Nigdy nie posługuj się pilarką trzymając ją tylko jedną ręką. Trzymanie pilarki jedną ręką nie zapewnia bezpiecznego panowania nad nią. Trzymaj zawsze pilarkę mocno, dwoma rękoma za uchwyty.

Uwagi ogólne

- Podczas ścinki silnik powinien pracować na pełny gaz!
- Po każdej operacji zredukuj obroty do obrotów biegu jałowego (zbyt długo trwająca praca silnika bez obciążenia przy pełnym otwarciu przepustnicy może prowadzić do poważnego uszkodzenia silnika).
- Przecinanie od góry = Praca przy "ciągnącym" ruchu łańcucha.
- Przecinanie od dołu = Praca przy "odpychającym" ruchu łańcucha.

Praca przy "odpychającym" ruchu łańcucha wiąże się z większym ryzykiem odbicia. Patrz wskazówki podane pod rubryką Czynności w celu uniknięcia odbicia.

Pojęcia

Przerzynka = Pojęcie ogólne oznaczające przecinanie drewna w poprzek włókien.

Okrzesywanie = Odcinanie gałęzi z leżącego drzewa.

Rozłupanie = Gdy przecinane drewno pęka podłużnie przed zakończeniem operacji cięcia.

Pięć bardzo ważnych czynników, które należy wziąć pod uwagę przed przystąpieniem do przecinania:

- 1 Upewnij się, czy prowadnica nie zakleszczy się w rzazie.
- 2 Upewnij się, czy kłoda nie ulegnie rozłupaniu.
- 3 Upewnij się, czy łańcuch nie uderzy o podłoże lub inny przedmiot w czasie lub po cięciu.
- 4 Sprawdź, czy istnieje ryzyko powstania odbicia.
- 5 Czy warunki zewnętrzne i terenowe wpływają na pozycję i możliwość bezpiecznego poruszania się podczas pracy?

O tym, czy łańcuch zakleszczy się lub czy kłoda rozszpeczy się decydują dwa czynniki, mianowicie sposób podparcia kłody przed i po cięciu oraz jej naprężenie.

W większości przypadków można uniknąć kłopotów stosując cięcie dwustopniowe: rzaz od góry i od dołu kłody. Kłode należy podczas przecinania podprześć w celu uniknięcia zakleszczenia się łańcucha lub rozszczepienia się kłody.

WAŻNE! Jeżeli łańcuch zakleszczy się w rzazie: zatrzymaj silnik! Nie wyszarpuj pilarki z rzazu. Możesz skaleczyć się o łańcuch, gdy pilarka nagle zostanie wyszarpięta z rzazu. W celu uwolnienia pilarki użyj dźwigni.

Podane poniżej instrukcje opisują sposób postępowania w sytuacjach najczęściej przytrafiających się podczas pracy pilarką.

Okrzesywanie

Przy okrzyszowaniu grubych gałęzi stosuj te same zasady, co przy przerzynce kłód.

Gałęzie o skomplikowanym kształcie należy odcinać po kawałku.

Przerzynka



OSTRZEŻENIE! Nigdy nie próbuj ciąć kłód ułożonych w stos lub blisko siebie. Takie postępowania drastycznie zwiększa ryzyko odbicia, które może być przyczyną poważnych obrażeń, nawet zagrażających życiu.

Jeżeli kłody ułożone są w stos, każdą z nich należy przed cięciem zdjąć ze stosu, ułożyć na podpórcie lub w przyrzni i ciąć pojedynczo.

Odcięte kawałki należy usuwać z miejsca pracy. Pozostawiając je, zwiększasz zarówno ryzyko przypadkowego odbicia, jak i ryzyko potknięcia się o nie i utraty równowagi podczas pracy.

Kłoda leży na ziemi. Nie zachodzi ryzyko zakleszczenia się łańcucha lub rozszczepienia się kłody. Istnieje jednak ryzyko zetknięcia się łańcucha z podłożem, po zakończeniu przerzynki.

Wykonaj przerzynkę od góry, przez całą grubość kłody. Zachowaj ostrożność przy zakończeniu rzazu, aby nie dotknąć prowadnicą do ziemi. Pracuj pilarką przy całkowicie

otwartej przepustnicy, lecz bądź przygotowany na nieprzewidziane zdarzenia. **(36)**

Jeśli istnieje możliwość obrócenia kłody, nie przecinaj jej głębiej niż na 2/3 grubości.

Obróć kłodę tak, aby zakończyć cięcie od góry na pozostawionej do przecięcia 1/3 grubości kłody.

Kłoda jest podparta z jednej strony. Ryzyko jej rozszyczenia się jest duże.

Rozpocznij od wykonania rządu od dołu (na ok. 1/3 średnicy kłody).

Dokończ przerzynkę razem od góry tak, aby oba rzazy zeszyły się.

Kłoda jest podparta z obu stron. Istnieje duże ryzyko zakleszczenia się łańcucha pilarki.

Rozpocznij od wykonania rządu od góry (na ok. 1/3 średnicy kłody).

Dokończ przerzynkę razem od dołu tak, aby oba rzazy zeszyły się.

Technika ścinania drzew

WAŻNE! Ścinaka drzew wymaga dużego doświadczenia. Niedoświadczeni użytkownicy pilarek nie powinni ścinać drzew. Nigdy nie podejmuj się zadań przekraczających Twoje siły i umiejętności!

Bezpieczna odległość

Bezpieczna odległość od ścinanego drzewa od pracującej w pobliżu osoby powinna wynosić co najmniej 2,5 długości drzewa. Upewnij się, czy w "strefie zagrożenia" przed i w trakcie ścinania nie przebywają ludzie. **(37)**

Kierunek obalania

Podczas wyboru kierunku obalania należy wziąć pod uwagę dogodność terenu i najlepsze warunki do okrzesywania i przerzynki obalonego drzewa. Operator powinien mieć zapewnioną bezpieczną pozycję przy pracy i możliwość bezpiecznego poruszania się wokół drzewa.

Po wyborze kierunku obalania drzewa, określ naturalny kierunek jego spadania.

Wpływają nań następujące czynniki:

- Pochylenie drzewa
- Wygięcie
- Kierunek wiatru
- Ułożenie gałęzi
- Ciężar śniegu
- Przeszkody w pobliżu drzewa: np. inne drzewa, linie energetyczne, ściany i budynki.
- Sprawdź, czy pień nie jest uszkodzony lub zbutwiał, co pozwalałoby przypuszczać, że drzewo przełamie się i zacznie obalać się wcześniej, niż się spodziewasz.

Może się okazać, że mimo podjętej wcześniej decyzji o kierunku obalania drzewa, ze względu na trudności lub zbyt duże ryzyko, będziesz zmuszony obalić je w naturalnym kierunku jego spadania.

Innym ważnym czynnikiem, nie mającym wpływu na kierunek obalania lecz decydującym o bezpieczeństwie operatora, jest upewnienie się, czy drzewo nie posiada uszkodzonych lub obumarłych gałęzi, które podczas obalania mogłyby się odłamać i zranić go.

Przed wszystkim należy zadbać, aby obalane drzewo nie spadło na inne drzewo i nie zahaczyło się o nie. Obalanie na ziemię zawieszonoego drzewa jest bardzo niebezpieczne ó istnieje duże ryzyko powstania wypadku. Patrz wskazówki podane pod rubryką Usuwanie drzewa źle obalonego.

WAŻNE! W krytycznych momentach obalania drzew ochronniki uszu powinny być podniesione zaraz po zakończeniu ścinania, aby łatwiej szłyszeć ewentualne sygnały lub dźwięki ostrzegawcze.

Przygotowanie drzewa do ścinki i drogi oddalania dla operatora

Okrzesaj pień z gałęzi do poziomu ramion. Najbezpieczniej jest pracować od góry do dołu stojąc tak, by pień znajdował się między tobą i pilarką.

Usuń podszyt u podstawy drzewa i sprawdź, czy w pobliżu nie występują przeszkody (gały, gałęzie, doły itp.) utrudniające oddalenie się operatora od padającego drzewa. Droga ewakuacyjna powinna prowadzić ukośnie w tył, wzdłuż prostej tworzącej kąt 135° z **(38)**

- 1 Obszar zagrożenia
- 2 Droga odwrotu
- 3 Kierunek obalania

Ścinka



OSTRZEŻENIE! Jeśli nie przeszedłeś specjalnego szkolenia nie wykonuj ścinki drzew o średnicy pnia większej niż długość prowadnicy!

Na ścinkę składają się trzy rzazy. Ścinkę rozpoczyna się od wykonania rżazów podcinających – górnego i dolnego, po czym wykonuje się rżaz ścinający. Prawidłowe położenie rżazów umożliwia bardzo dokładną kontrolę kierunku obalania.

Rżaz podcinający

Wykonanie rżazu podcinającego rozpoczyna się od górnego rżazu podcinającego. Operator powinien stać z prawej strony drzewa i pracować przy ciągnięciu ruchu łańcucha.

Następnie wykonaj dolny rżaz podcinający tak, aby spotkał się z górnym rżazem. **(39)**

Rżaz podcinający powinien wchodzić w drzewo na głębokość równą 1/4 średnicy pnia, a kąt utworzony między rżazem górnym i dolnym powinien wynosić co najmniej 45°.

Prosta, na której dwa rzazy spotykają się nosi nazwę dna rżazu podcinającego. Powinna ona być idealnie pozioma i prostopadła (90°) do zamierzonego kierunku obalania. **(40)**

Rżaz ścinający

Rżaz ścinający wykonuje się od strony przeciwnej w stosunku do rżazu podcinającego i ma on być idealnie poziomy. Ustaw się z lewej strony drzewa i trnij dolną krawędzią prowadnicy, tzn. przy ciągnięciu ruchu łańcucha.

Rżaz ścinający wykonuje się ok. 3–5 cm (1,5–2 cali) powyżej dolnej, poziomej płaszczyzny rżazu podcinającego.

Ustaw zderzak (jeżeli takowy jest zamontowany) tuż za zawias. Podczas ścinki pilarka powinna pracować przy całkowitej otwartej przepustnicy. Powoli wprowadzaj łańcuch/prowadnicę w drzewo. Upewnij się, czy drzewo nie przechyliło się w kierunku przeciwnym do zamierzonego kierunku obalania. W odpowiednio głęboki rżaz włóż klin lub dźwignię-obracak. **(41)**

Rzaz ścinający należy zakończyć równoległe do dna rzazu podcinającego tak, aby odległość między nimi wynosiła co najmniej 1/10 średnicy pnia. Nieprzecięta część pnia nazywana jest zawiasą.

Zawiasa prowadzi obalające się drzewo, tzn. nadaje mu kierunek podczas obalania. **(42)**

W przypadku za wąskiej zawiasy lub nieprawidłowego położenia rzazu podcinającego i ścinającego kontrola kierunku obalania jest niemożliwa.

Gdy rzaz ścinający i podcinający są gotowe, drzewo zaczyna obalać się pod wpływem własnego ciężaru lub za pomocą klina lub dźwigni-obracaka.

Zalecamy stosowanie prowadnic o długości przekraczającej średnicę pnia drzewa, by rzaz ścinający i podcinający można było wykonać tzw. "jednym cięciem". Odnośnie informacji dotyczących długości prowadnic zalecanych do posiadanego modelu pilarki patrz wskazówki pod nagłówkiem "Dane techniczne".

Istnieją metody ścinki drzew o średnicy pnia większej niż długość prowadnicy. Niosą one jednak ze sobą duże ryzyko powstania odbicia wskutek dotknięcia strefy odbicia prowadnicy do drzewa.

Usuwanie drzewa źle obalonego

Ścinanie drzewa zawieszzonego

Obalanie na ziemię zawieszzonego drzewa jest bardzo niebezpieczne ó istnieje duże ryzyko powstania wypadku.

Nigdy nie próbuj ścinać przywalonego drzewa.

Nigdy nie pracuj w strefie zagrożenia spowodowanego przez ścięte drzewo, które zawisło.

Najbardziej bezpieczną metodą jest użycie wciągarki.

- Zamontowana na traktorze
- Przenośna

Przerzynka naprężonych drzew i gałęzi

Przygotowania: Przed przystąpieniem do cięcia staraj się przewidzieć kierunek ruchu drzewa lub gałęzi po zwolnieniu naprężenia i ustal położenie naturalnego punktu przelamania (tzn. miejsca złamania, gdyby drzewo lub gałąź wciąć mocniej).

Określ najbardziej bezpieczny sposób zwolnienia naprężenia i oceń czy jesteś w stanie to wykonać. W bardzo skomplikowanych sytuacjach najbezpieczniej jest zrezygnować z pracy pilarką i użyć wciągarki.

Rady ogólne:

Ustaw się tak, aby sprężynujące po uwolnieniu naprężenia drzewo/gałęzie nie dosięgły Cię.

Wykonaj jeden lub kilka rzazów w punkcie przelamania lub w jego pobliżu. Wykonaj niezbędną ilość rzazów o odpowiedniej głębokości w celu zredukowania naprężenia i spowoduj przelamanie drzewa/gałęzi w punkcie przelamania.

Naprężonych gałęzi lub drzew nie wolno przecinać jednym rzazem!

Jeżeli musisz przepiłować drzewo/gałęź, wykonaj 2-3 rzazy w odstępach co 3 cm i o głębokości 3-5 cm.

Następnie piluj głębiej, aż naprężenie drzewa/gałęzi ustąpi.

Po ustąpieniu naprężenia piluj drzewo/gałęź z przeciwnej strony.

Czynności w celu uniknięcia odbicia



OSTRZEŻENIE! Odbicie może powstać nagle, jest zwykle gwałtowne i polega zazwyczaj na odrzuceniu pilarki wraz z prowadnicą i łańcuchem do tyłu, w kierunku operatora. Jeśli znajdujący się w ruchu łańcuch dotknie do operatora, może to spowodować poważne obrażenia, nawet zagrażające życiu. Dlatego niezmiernie istotne jest zrozumienie przyczyn powstawania odbicia, umożliwiające operatorowi podjęcie kroków zapobiegających mu poprzez zachowywanie ostrożności i stosowanie prawidłowej techniki pracy.

Co to jest odbicie?

Odbicie jest to zjawisko powstające w chwili, gdy górna ćwiartka końcówki prowadnicy, tzw. strefa odbicia, natrafia na twardy przedmiot i pilarka wraz z prowadnicą zostaje nagle odrzucona do tyłu. **(43)**

Odbicie powstaje zawsze w płaszczyźnie tnącej prowadnicy. Zazwyczaj pilarka i prowadnica zostają odrzucone do tyłu i do góry, w kierunku operatora. Pilarka może zostać odrzucona w kierunku zależnym od swego położenia w momencie, gdy strefa odbicia natrafia na twardy przedmiot.

Odbicie powstaje wyłącznie w momencie zetknięcia się strefy odbicia prowadnicy z twardym przedmiotem. **(44)**

Okrzesywanie



OSTRZEŻENIE! Większość wypadków wskutek odbicia zdarza się podczas okrzyszowania. Nie pracuj strefą odbicia prowadnicy. Zachowuj jak największą ostrożność i staraj się nie dotykać wierzchołkiem prowadnicy do kłody, gałęzi i innych przedmiotów. Zachowuj jak największą ostrożność mając do czynienia z gałęziami, które są naprężone. Sprężynując mogą one uderzyć Cię tak, że stracisz panowanie, co może być przyczyną obrażeń.

Zapewnij sobie bezpieczną pozycję i możliwość bezpiecznego poruszania się podczas pracy. W trakcie okrzyszowania należy stać po lewej stronie leżącego drzewa. Trzymaj pilarkę blisko ciała, aby mieć nad nią pełną kontrolę. Jeśli to możliwe pozwól, aby cięża

Podczas poruszania się operatora wzdłuż drzewa powinno się ono znajdować między nim i pilarką.

Przecinanie pnia na kłody

Patrz wskazówki podane pod rubryką Podstawowa technika ścinki.

Uwagi ogólne

Użytkownikowi wolno wykonywać tylko te czynności konserwacyjne i serwisowe, które są opisane w niniejszej instrukcji obsługi. Większe i bardziej skomplikowane prace powinny być wykonywane w autoryzowanym warsztacie serwisowym.

Regulacja gaźnika

Twój sprzęt Jonsered został skonstruowany i wyprodukowany zgodnie ze specyfikacjami redukującymi szkodliwe spaliny.

Działanie

- Gaźnik służy do regulacji obrotów silnika i jest sterowany za pomocą dźwigni gazu. W gaźniku powstaje mieszanka paliwowo-powietrzna o zmiennym składzie, możliwym do regulacji. W celu uzyskania maksymalnej mocy silnika maszyny skład mieszanki musi być dobr
- Śruba regulacyjna T umożliwi regulację obrotów biegu jałowego. Wkręcanie śruby powoduje zwiększenie obrotów, a wykręcanie ich zmniejszenie.

Regulacja podstawowa i docieranie

Gaźnik jest wstępnie naregulowany przez producenta podczas kontroli technicznej. Ustawienia powinien dostosowywać przeszkolony technik.

Zalecana prędkość obrotowa na biegu jałowym: Patrz rozdział Dane techniczne.

Ostateczne ustawianie obrotów jałowych śrubą regulacyjną T

Ustaw obroty biegu jałowego śrubą regulacyjną T. Jeśli regulacja jest potrzebna, obracaj śrubę T w prawo, aż łańcuch zacznie poruszać się po prowadnicy. Następnie odkręć śrubę regulacyjną nieco w lewo, aż łańcuch się zatrzyma. Obroty jałowe są ustawione prawidłowo, jeśli po zwolnieniu dźwigni gazu łańcuch przestaje się poruszać, a silnik maszyny pracuje płynnie we wszystkich położeniach i zachowuje pewien margines obrotów, tak aby łańcuch nie był uruchamiany natychmiast po naciśnięciu dźwigni gazu.



OSTRZEŻENIE! Jeśli nie możesz ustawić obrotów jałowych, tak żeby łańcuch nie zatrzymywał się po zwolnieniu dźwigni gazu, zwróć się do swojego warsztatu obsługi technicznej. Nie używaj pilarki zanim nie zostanie prawidłowo wyregulowana lub naprawiona.

Przegląd, konserwacja i obsługa zespołów zabezpieczających pilarki

Zauważ! Wykonywanie przy maszynie jakichkolwiek czynności serwisowych i napraw wymaga specjalnego przeszkolenia. Szczególnie dotyczy to zespołów zabezpieczających maszyny. Jeżeli maszyna nie spełnia któregoś z warunków objętych czynnościami kontrolnymi wyszczególnionymi poniżej, zalecamy oddać ją do warsztatu serwisowego. Zabiegi konserwacyjne i obsługa wykraczające poza czynności opisane w niniejszej broszurze powinny być wykonane w prowadzącej usługi serwisowe sieci handlu specjalistycznego (punkcie dealerskim).

Przed przystąpieniem do czynności obsługowych lub naprawczych wyłącz silnik i zdejmij kabel ze świecy zapłonowej

Hamulec łańcucha i zabezpieczenie przed odbiciem

Kontrola zużycia taśmy hamulca

Usuń z hamulca łańcucha i bębna sprzęgła trociny, żywicę i brud. Zanieczyszczenia i zużycie części mogą zmniejszyć efektywność działania hamulca. **(45)**

Sprawdź regularnie, czy taśma hamulca nie jest cieńsza niż 0,6 mm w najbardziej zużytej części.

Kontrola zabezpieczenia przed odbiciem

Upewnij się, czy zabezpieczenie przed odbiciem jest całe i czy nie występują na nim widoczne uszkodzenia, np. pęknięcia.

Przesuń urządzenie zabezpieczające przed odbiciem do przodu i z powrotem, aby sprawdzić, czy działa płynnie i czy jest bezpiecznie zamocowane do przegubu na osłonie sprzęgła. **(46)**

Kontrola mechanizmu bezwładnościowego

Trzymaj pilarkę z wyłączonym silnikiem nad pięknikiem lub nad innym stabilnym przedmiotem. Nie puszczając przedniego uchwytu pozwól pilarce opaść pod własnym ciężarem na pieniek, obracając się wokół tylnego uchwytu.

Po uderzeniu końcówki prowadnicy w pniak, hamulec powinien się włączyć. (47)

Kontrola działania hamulca

Ustaw pilarkę na twardym podłożu i uruchom ją. Sprawdź, czy łańcuch pilarki nie dotyka podłoża lub innego przedmiotu. Patrz wskazówki znajdujące się pod rubryką Uruchamianie i wyłączenie.

Trzymaj pilarkę mocno oburącz, tak aby palce dokładnie obejmowały uchwyty.

Wciśnij dźwignię gazu do oporu i włącz hamulec łańcucha obracając nadgarstek lewej ręki w kierunku zabezpieczenia przed odbiciem. Nie zdejmuj dłoni z uchwytu przedniego. **Łańcuch powinien zatrzymać się natychmiast.**

Blokada dźwigni gazu

- Sprawdź, czy dźwignia gazu jest zablokowana w położeniu biegu jałowego, gdy blokada dźwigni gazu znajduje się w położeniu wyjściowym.
- Wciśnij blokadę dźwigni gazu i sprawdź, czy po zwolnieniu nacisku powraca ona do położenia wyjściowego.
- Sprawdź, czy dźwignia gazu i jej blokada poruszają się płynnie i czy sprężyny powrotne działają prawidłowo.
- Uruchom pilarkę i wciśnij do oporu dźwignię gazu. Zwolnij ją i sprawdź, czy łańcuch zatrzymał się. Jeśli łańcuch porusza się, gdy dźwignia gazu znajduje się w położeniu biegu jałowego, należy sprawdzić ustawienie obrotów biegu jałowego w gaźniku.

Wychwytnik łańcucha

Sprawdź, czy wychwytnik łańcucha nie jest uszkodzony i czy jest prawidłowo zamocowany do korpusu pilarki.

Oslona prawej ręki

Sprawdź, czy osłona prawej ręki nie jest uszkodzona lub pęknięta.

System tłumienia wibracji

Sprawdź regularnie, czy elementy amortyzujące nie są pęknięte lub czy nie uległy deformacji.

Upewnij się, czy elementy amortyzujące są dokładnie przymocowane do silnika i uchwytów.

Wyłącznik

Włącz silnik i sprawdź, czy po przesunięciu wyłącznika w położenie stop silnik zatrzyma się.

Tłumik

Nigdy nie używaj maszyny z uszkodzonym tłumikiem. Sprawdzaj regularnie, czy tłumik jest dokładnie przymocowany do maszyny.

Zauważ: Siatka łapacza isker (A) w tej maszynie jest wymienna. **(48)** Uszkodzoną siatkę należy wymienić na nową. Zanieczyszczona siatka powoduje przegrzewanie się silnika maszyny, co może doprowadzić do uszkodzenia cylindra i tłoka. **Nigdy nie używaj maszyny z tłumikiem w złym stanie. Nigdy nie używaj maszyny z tłumikiem bez siatki przeciwiskrowej lub z uszkodzoną siatką przeciwiskrową.**

Przy normalnej eksploatacji w warunkach domowych nie zachodzi potrzeba wymiany tłumika i siatki łapacza isker.

Filtr powietrza

Filtr powietrza należy regularnie oczyścić z pyłu i zanieczyszczeń, aby nie dopuścić do:

- Złej pracy gaźnika
- Trudności w uruchamianiu silnika
- Zmniejszenia mocy silnika
- Przedwczesnego zużycia części silnika
- Zwiększenia zużycia paliwa
- Wymontowanie filtra powietrza (3) jest możliwe po zdjęciu pokrywy cylindra, śruby (1) i pokrywy filtra powietrza (2). Zakładając filtr dopilnuj, aby szczelnie przylegał do obudowy filtra. Wytrząśnij filtr lub oczyść szczotką. **(49)**

Dokładniejsze czyszczenie filtra wymaga wymycia go w wodzie z mydłem.

Całkowite oczyszczenie filtra po pewnym okresie użytkowania nie jest możliwe. Dlatego też filtr należy regularnie (w stałych odstępach czasu) wymieniać na nowy. **Uszkodzony filtr powietrza należy natychmiast wymienić na nowy.**

Świeca zapłonowa

Na stan świecy zapłonowej wpływa:

- Zła regulacja gaźnika.
- Złe proporcje składników mieszanki paliwowej (za dużo oleju lub niewłaściwy olej).
- Zanieczyszczony filtr powietrza.

Powyższe czynniki powodują osadzenie się nagaru na elektrodach świecy, co powoduje zakłócenia pracy silnika i trudności w jego uruchamianiu.

Jeżeli silnik maszyny nie osiąga właściwej mocy, występują trudności z jego uruchomieniem lub utrzymaniem wolnych obrotów, sprawdź najpierw stan świecy zapłonowej. Jeżeli elektrody świecy są zanieczyszczone, oczyść je i sprawdź, czy odstęp między nimi wynosi 0,5 mm. więcej należy wymienić po ok. miesiącu pracy lub w razie potrzeby – wcześniej. **(50)**

Zauważ! Stosuj wyłącznie świece zalecane przez producenta. Niewłaściwa świeca może być przyczyną zatarcia tłoka/cylindra. Dopilnuj, aby świeca zapłonowa była wyposażona w tzw. eliminator zakłóceń radiowych.

KONSERWACJA

Plan konserwacji

Poniżej zamieszczono listę czynności konserwacyjnych, które należy wykonywać przy maszynie. Większość punktów omówiona została w rozdziale Konserwacja.

Przegląd codzienny (Co 5–10 godzin)	Przegląd cotygodniowy (Co 10–25 godzin)	Przegląd miesięczny (Co 25–40 godzin)
Oczyść zewnętrzne powierzchnie maszyny.	Skontroluj rozrusznik, jego linkę oraz sprężynę powrotną.	Sprawdź stan taśmy hamulca łańcucha pod względem zużycia. Wymień ją, jeżeli w najbardziej zużytych miejscach grubość jej wynosi 0,6 mm.
Sprawdź, czy poszczególne części dźwigni gazu działają prawidłowo z uwagi na bezpieczeństwo. (Blokada dźwigni gazu i dźwignia gazu.)	Sprawdź, czy amortyzatory gumowe nie są uszkodzone.	Sprawdź stan zużycia tarczy, bębna i sprężyny sprzęgła.
Oczyść hamulec łańcucha i sprawdź jego działanie z uwagi na bezpieczeństwo. Sprawdź, czy wychwytnik łańcucha nie jest uszkodzony, a w razie potrzeby wymień go na nowy.	Wyrównaj płaskim pilnikiem brzegi prowadnicy, aby zlikwidować powstający drut.	Oczyść świecę zapłonową. Sprawdź, czy przerwa między elektrodami wynosi 0,5 mm.
W celu równomiernego zużycia należy prowadnicę codziennie obracać. Sprawdź, czy otwór smarujący znajdujący się w prowadnicy nie jest zapchany. Oczyść rowek prowadnicy. Jeśli prowadnica posiada końcówkę, nasmaruj ją.	Oczyść korpus gaźnika i komorę gaźnikową.	Oczyść gaźnik z zewnątrz.
Sprawdź, czy do prowadnicy i łańcucha dochodzi wystarczająca ilość oleju.	Oczyść filtr powietrza. W razie potrzeby wymień go na nowy.	Sprawdź stan filtra paliwa i przewodu paliwowego. W razie potrzeby wymień je na nowe.
Sprawdź, czy na nitach i ogniwach łańcucha tnącego nie występują widoczne pęknięcia, czy łańcuch nie jest sztywny i czy nity i ogniwa nie są nadmiernie zużyte. Wymień w razie potrzeby.		Opróżnij zbiornik paliwa i oczyść go w środku.
Naostrz łańcuch, sprawdź jego napięcie i stan, w jakim się znajduje. Sprawdź, czy kółko napędowe łańcucha nie jest nadmiernie zużyte, a jeśli to konieczne, wymień je na nowe.		Opróżnij zbiornik oleju i oczyść go w środku.
Oczyść wlot powietrza do rozrusznika.		Sprawdź stan wszystkich przewodów elektrycznych i końcówek podłączeniowych.
Sprawdź, czy śruby i nakrętki są dokręcone.		
Sprawdź, czy wyłącznik działa prawidłowo.		
Sprawdź, czy nie ma wycieków paliwa z silnika, zbiornika paliwa lub przewodów paliwowych.		

Dane techniczne

	CS 2234	CS 2238
Silnik		
Pojemność cylindra, cm ³	38	38
Skok tłoka, mm	32	32
Obroty na biegu jałowym, obr./min	3000	3000
Moc, kW	1,4/9000	1,5/9000
Układ zapłonowy		
Świeca zapłonowa	Champion RCJ 7Y	Champion RCJ 7Y
Odstęp między elektrodami świecy, mm	0,5	0,5
Układ zasilania/smarowania		
Pojemność zbiornika paliwa, litry	0,3	0,3
Wydajność pompy olejowej przy 8500 obr./min, ml/min	7	7
Pojemność zbiornika oleju, w litrach	0,19	0,19
Typ pompy olejowej	Automatyczna	Automatyczna
Masa		
Pilarka bez prowadnicy, łańcucha i z opróżnionymi zbiornikami, kg	4,7	4,7
Emisje hałasu (Patrz ad. 1)		
Poziom mocy akustycznej, mierzony dB(A)	115	115
Poziom mocy akustycznej, gwarantowany L _{WA} dB(A)	118	118
Poziomy głośności (patrz ad. 2)		
Równoważny poziom ciśnienia akustycznego przy uchu operatora dB(A)	100,6	100,6
Równoważne poziomy wibracji a_{hveq} (patrz uwaga 3)		
Uchwyt przedni m/s ²	3,7	3,7
Uchwyt tylny m/s ²	5,1	5,1
Łańcuch/prowadnica		
Standardowa dł. prowadnicy, cale/cm	14/35, 16/40	14/35, 16/40
Zalecana dł. prowadnicy, cale/cm	14/35, 16/40	14/35, 16/40
Użytkowa dł. prowadnicy, cale/cm	13,5/34, 15,5/39	13,5/34, 15,5/39
Podziałka, cale/mm	3/8 / 9,52	3/8 / 9,52
Szerokość ognia prowadzącego, cale/mm	0,050/1,3	0,050/1,3
Typ zębátky napędowej/ilość zębów	6	6
Prędkość łańcucha przy maks. mocy, m/s	17,1	17,1

Ad. 1: Emisję hałasu do otoczenia zmierzono jako moc akustyczną (L_{WA}), zgodnie z dyrektywą WE 2000/14/EG.

Uwaga 2: Równoważny poziom ciśnienia akustycznego, zgodny z ISO 22868, obliczany jest jako całkowita, czasowo wyważona energia dla różnych poziomów dźwięku w różnych warunkach pracy. Typowe rozproszenie statystyczne dla równoważnego poziomu ciśnienia akustycznego to odchylenie standardowe w wysokości 1 dB (A).


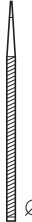

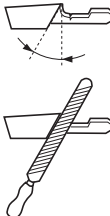

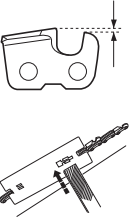
Uwaga 3: Równoważny poziom wibracji, zgodny z ISO 22867, obliczany jest jako całkowita, czasowo wyważona energia całkowita dla poziomów drgań w różnych warunkach pracy. Odnotowane dane dla równoważnego poziomu wibracji mają typowe rozproszenie statystyczne (odchylenie standardowe) w wysokości 1 m/s².

DANE TECHNICZNE

Zestawy prowadnica/łańcuch

Poniższe osprzęty tnące zatwierdzone są dla modeli Jonsered CS 2234 oraz CS 2238.

Prowadnica				Łańcuch pilarki	
Długość, cale	Podziałka, cale	Szerokość rowka, mm	Maks. ilość zębów na zębatce	Typ	Długość, ogniwa prowadzące (szt.)
14	3/8	1,3	7T	Jonsered H37	52
16	3/8		7T		56
18	3/8		7T		62

					
H37	5/32/4,0	80°	30°	0°	0.025/0,65

Zapewnienie o zgodności z normami WE

(Dotyczy tylko Europy)

Husqvarna, SE-561 82 Huskvarna, Szwecja, telefon +46-36-146500, zapewnia niniejszym, że pilarki **Jonsered CS 2234** i **CS 2238**, począwszy od maszyn z numerami seryjnymi wypuszczanymi od roku 2009 (rok, po którym następuje numer seryjny, podany jest wyraźnie na tabliczce znamionowej), są zgodne z przepisami zawartymi w DYREKTYWIE RADY:

- z 17 maja, 2006 „dotycząca maszyn” **2006/42/EC**
- dyrektywie **2004/108/EEC** z dn. 15 grudnia 2004 r., "dotyczącej kompatybilności elektromagnetycznej".
- dyrektywie **2000/14/EG** z dn. 8 maja 2000 r., "dotyczącej emisji hałasu do otoczenia".

Odnośnie informacji dotyczących emisji hałasu patrz rozdział Dane techniczne. Zastosowano następujące normy: **EN ISO 12100-2:2003, CISPR 12:2001, EN ISO 11681-1:2004**

Zgłoszony organ: **0404, SMP Svensk Maskinprovning AB**, Fyrisborgsgatan 3, SE-754 50 Uppsala, Szwecja, przeprowadził próbę homologacyjną dot. zgodności z normami WE, zgodnie z dyrektywą dot. maszyn (2006/42/EG), art. 12 punkt 3b. Zaświadczenie o próbach homologacyjnych dot. zgodności z normami WE, wg aneksu IX, opatrzone są numerem: **0404/09/2048**.

Ponadto SMP Svensk Maskinprovning AB, Fyrisborgsgatan 3, SE-754 50 Uppsala, Szwecja, zapewnił o zgodności z aneksem V do dyrektywy rady 2000/14/EG z dn. 8 maja 2000 r., "dotyczącej emisji hałasu do otoczenia". Certyfikaty opatrzone są numerami: **26/161/003** – CS 2234, **26/161/004** – CS 2238.

Dostarczona pilarka jest identyczna z egzemplarzem poddanym próbie homologacyjnej, dot. zgodności z normami WE. Huskvarna, 29 grudnia 2009 r.



Ronnie E. Goldman, Dyrektor Działu Inżynierii. (Autoryzowany przedstawiciel Husqvarna AB oraz osoba odpowiedzialna za dokumentację techniczną).

Lugupeetud tarbija!

Õnnitleme teid, et olete valinud Jonsered toote!

Me oleme veendunud, et te hindate kõrgelt meie toodete kvaliteeti ja tehnilisi näitajaid, ning seda ka tulevikus. Kui te ostate meie toote, on teile tagatud professionaalne abi nii seadmete hooldamise kui parandamise osas. Kui seadme müüja juures pole volitatud töökoda, küsige, kus on meie lähim volitatud töökoda.

Me loodame, et jäite oma ostuga rahule ja sellest saab teie hea abimees pikkadeks aastateks. Ärge unustage, et seadme kasutusjuhend on väärtuslik abimees. See aitab teid oluliselt oma seadme tööiga pikendada, kui te järgite neid soovitusi, mis on juhendis toodud seadme hooldamise, korrastamise ning parandamise kohta. Kui te kord müüte selle seadme ära, andke sellega uuele omanikule kaasa ka kasutusjuhend.

Soovime teile palju edu oma Jonsered tootega töötamisel!

Jonsered töötab pidevalt oma toodete edasiarendamise alal ja jätab seetõttu endale õiguse teha muuhulgas muudatusi toodete kuju ja välimuse osas.

Sümbolid seadmel:

ETTEVAATUST! Ketsaead võivad olla ohtlikud! Hooletu või vale kasutamisaad võivad tekitada operaatorile või teistele tõsisel ja isegi surmavaid kehavigastusi.

Loe käsitsemisõpetus põhjalikult läbi, et kõik eeskirjad oleksid täiesti arusaadavad, enne kui seadet kasutama hakkad.

Kasuta alati:

- Heakskiidetud kaitsekiivrit
- Heakskiidetud kõrvaklappe
- Kaitseprillid või näokaitse

Seade vastab EL kehtivatele direktiividele.

Ümbritsevasse keskkonda leviv müra vastavalt Euroopa Ühenduse direktiivile. Andmed seadme emissiooni kohta on toodud peatükis Tehnilised andmed ja etiketil.

Operaator peab kasutama ketsaead käsitsemiseks mõlemat kätt.

Ketsaagi ei tohi mitte kunagi kasutada seda ühes käes hoides.

Vältige saelati otsa puutumist vastu mis tahes objekte.

ETTEVAATUST! Kui saelati ots puutub millegi vastu, tekib sellele vastumõju, mis võib lüüa saelati tahapoolle ja üles ja sellest võib tekkida tagasilöökk. See võib tuua kaasa tõsisel vigastusi.

Ketipidur, aktiveeritud (vasakpoolne) ketipidur, aktiveerimata (parempoolne).



Ülejäänud seadmel toodud sümbolid/tähised vastavad erinevates riikides kehtivatele sertifitseerimisnõuetele.

Kettsae detailide paiknemine (1)

- 1 Teavitamis- ja hoiatustähised.
- 2 Silindri kate
- 3 Kütusepump
- 4 Käiviti käepide
- 5 Õhuklapp/Startgaasi sulgur
- 6 Seiskamislüliti (Süüte sisse- ja väljalülitamine.)
- 7 Tagumine käepide
- 8 Kütusepaak
- 9 Karburaatori reguleerimiskruvid
- 10 Käiviti
- 11 Ketiõli paak
- 12 Silt tootenumbri ja seerianumbriga.
- 13 Gaasihoovastiku sulgur (Hoiab ära tahtmatut gaasi andmist.)
- 14 Esikäepide
- 15 Turvakäepide
- 16 Summuti
- 17 Juhtplaat
- 18 Juhtplaadi otsatähik
- 19 Saekett
- 20 Kooretugi
- 21 Ketipüüdja
- 22 Ketipingutuskrugi
- 23 Siduri kate
- 24 Tagumine käepide parema käe kaitsega.
- 25 Gaasihoovastik
- 26 Käsitsemisõpetus
- 27 Kombivõti
- 28 Juhtplaadi kaitse

Sisukord

SISSEJUHATUS

Lugupeetud tarbija!	284
Sümbolid seadmel:	284
Kettsae detailide paiknemine	285

SISUKORD

Sisukord	285
----------	-----

ÜLDISED OHUTUSEESKIRJAD

Meetmed uue kettsae kasutamisele võtmisel	286
Tähtis	286
Toimige alati arukalt.	286
Isiklik ohutusvarustus	287
Seadme ohutusvarustus	287
Lõikeseade	288

KOOSTAMINE

Juhtplaadi ja keti paigaldamine	291
---------------------------------	-----

KÜTUSE KÄSITSEMINE

Küttesegu	292
Tankimine	292
Ohutusnõuded kütuse käsitlemisel	292

KÄIVITAMINE JA SEISKAMINE

Käivitamine ja seiskamine	293
---------------------------	-----

TÖÖVÕTTED

Enne kasutamist tuleb alati:	294
Üldised tööeeskirjad	294
Tagasiviskumise vältimine	297

HOOLDUS

Üldised näpunäited	297
Karburaatori seadistamine	297
Kettsae ohutusvarustuse kontroll, korrashoid ja hooldus	297
Summuti	298
Õhufilter	298
Süüteküünlad	298
Hooldusskeem	299

TEHNILISED ANDMED

Tehnilised andmed	300
Juhtplaadi ja keti kombinatsioonid	301
EÜ kinnitus vastavusest	301

Meetmed uue kettsae kasutamisele võtmisel

- Lugege kasutusjuhend hoolikalt läbi.
- **(1) – (50)** viitab illustratsioonidele lk. 2–5.
- Kontrolli lõikeseadme monteerimist ja korrasolekut. Juhised on toodud Koostamist käsitlevas alajaotuses.
- Täitke paak kütusega ja käivitage kettsaag. Vaadake juhiseid peatükkidest Kütuse käsitlemine ning Käivitamine ja seiskamine.
- Ära alusta saagimist enne, kui ketimäärdeõli on küllaldaselt voolanud kettsae ketile. Juhised on toodud alajaotuses Lõikeseadme õlitamine.
- Pikaajaline müra võib tekitada püsiva kuulmiskahjustuse. Sellepärast tuleb alati kanda heakskiidetud kõrvaklappe.



ETTEVAATUST! Seadme algset konstruktsiooni ei tohi muuta ilma tootja loata. Kasuta alati originaalosi. Lubamatud muudatused ja varuosad võivad põhjustada raskeid või isegi eluohtlikke kehavigastusi operaatorile ja teistele.



ETTEVAATUST! Kettsaag on ohtlik tööriist, mis võib hooletu või vale käsitsemise korral põhjustada tõsiseid või isegi eluohtlikke vigastusi. Seepärast on väga tähtis, et loed käsitsemisõpetuse põhjalikult läbi ja saad kõikidest eeskirjadest korralikult aru.



ETTEVAATUST! Summuti sisaldab kemikaale, mis võivad olla kantserogeense toimega. Vältige kokkupuudet nende ainetega, kui summuti katki läheb või saab kahjustada.



ETTEVAATUST! Tervisele on ohtlik pikemat aega sisse hingata mootori heitgaase, tolmu ja pihustunud ketiõli.



ETTEVAATUST! Seade tekitab töötades elektromagnetvälja. Teatud tingimustel võib väli häirida aktiivsete või passiivsete meditsiiniliste implantaatide tööd. Tõsisest või surmaga lõppevate kahjustuste riski vähendamiseks soovime meditsiinilisi implantaate kasutavatel inimestel pidada seadme kasutamise eel nõu oma arsti ja implantaadi valmistajaga.

Tähtis

TÄHTIS!

Seade on ette nähtud ainult puidu saagimiseks.

Kasutage ainult selliseid saelati ja saeketi kombinatsioone, mida me pakume peatükis Tehnilised näitajad..

Ärge töötage seadmega, kui te olete väsinud, ravimite või alkoholi mõju all, ms võivad mõjutada teie otsustamisvõimet, nägemist ja keha valitsemist.

Kanna isiklikku ohutusvarustust. Juhised on toodud alajaotuses Isiklik ohutusvarustus.

Ärge ehitage seadet ringi, nii et see enam ei vasta tehase originaalmudelile ega võtke ka kasutada sellist seadet, millest võib arvata, et keegi on selle ümber ehitanud.

Ära kasuta vigastatud seadet. Kontrolli ja hoolda seadet korrapäraselt, nagu käsitlemisõpetuses nõutud. Teatud hooldust tohib teha ainult vastava väljaõppe saanud spetsialist. Juhised on toodud alajaotuses Hooldus.

Kasuta ainult käesolevas käsitsemisõpetuses märgitud lisavarustust. Juhised on toodud alajaotustes Lõikeseade ja Tehnilised andmed.

TÄHELEPANU! Kasutage näokaitset ja kaitseprille, et kaitsta paiskuvate esemete eest. Kettsaest võivad paiskuda puutükid ja muud taolised esemed suure jõuga. See võib tekitada tõsise vigastuse, eriti silmadele.



ETTEVAATUST! Ohtlik on olla töötava mootoriga kinnises ruumis või kohas, kus pole korralikku ventilatsiooni, sest see võib põhjustada lämbumissurma või vingugaasimürgistuse.



ETTEVAATUST! Tagasilöögi ohtu suurendab see, kui kasutatakse koos sellist saelatti ja saeketti, mis kokku ei sobi. Kasutage ainult selliseid saelattide ja ketide kombinatsioone, mida meie soovime ja järgige kasutusjuhendeid. Vaadake juhiseid peatükist Tehnilised näitajad.

Toimige alati arukalt. (2)

Võimatu on kirjeldada kõiki olukordi, mida võib kettsae kasutamisel ette tulla. Olge ettevaatlik ja kasutage tervet mõistust. Vältige selliseid olukordi, milleks teil puuduvad teadmised. Kui te pärast selle juhendi läbi lugemist tunnete veel ebakindlust, küsige asjatundjalt nõu. Võtke julgesti ühendust oma edasimüüjaga või meiega, kui te tahate küsida midagi kettsaagide kasutamise kohta. Me oleme teie teenistuses ja anname heameelega nõu, kuidas kettsaagi paremini ja ohutumalt kasutada. Võiksite ka käia kettsae kasutamise koolitusel. Küsige nõu oma edasimüüjalt, metsandusalaselt õppeasutuselt või raamatukogust, kus ja milliseid kursuseid korraldatakse. Me teeme pidevalt tööd, et muuta toote kujundust paremaks ja rakendada paremaid tehnilisi lahendusi, mis tõstavad toote töökindlust, ohutust ja tõhusust. Käige korrapäraselt oma edasimüüja juures, kust saate teavet uuenduste ja nende kasutamise kohta.

Isiklik ohutusvarustus



ETTEVAATUST! Suurem osa õnnetustest juhtub seetõttu, et ketttsae kett riivab operaatorit. Seadmega töötamisel tuleb kasutada ettenähtud isiklikku kaitsevarustust. Isiklik kaitsevarustus ei välista õnnetusi, kuid vähendab vigastuse astet. Palu seadme müüjalt abi sobiva varustuse valimisel.

- Heakskiidetud kaitsekiivrit
- Kõrvaklapid
- Kaitseprillid või näokaitse
- Kaitsekihiga kindad
- Saekaitsega püksid.
- Kaitsekihiga, terasest varbakaitsega ja libesemiskindla alustallaga saapad
- Kanna hoolt, et esmaabivarustus oleks alati käepärast.
- Tulekustuti ja labidas.

Tööriided peavad olema liibuvad, kuid ei tohi liikumisvabadust piirata.

TÄHTIS! Sädemed võivad tulla summutist, saelastist, ketist või mujalt. Hoidke tulekustutusabinõud käepärast. Sellega aitate kaasa metsatulekahjude leviku pidurdamisele.

Seadme ohutusvarustus

Selles peatükis selgitatakse seadme ohutusdetailide ja seda, milline roll neil on. Seadme kontrollimise ja hooldamise kohta leiate juhiseid peatükist Ketttsae turvavarustuse kontroll ja hooldus. Peatükist Seadme osade paiknemine näete, kus nad teie seadmel paiknevad.

Kui seadet ei hooldata õigesti ja korrapäraselt ja seadet ei paranda asjatundja, võib seadme tööiga lüheneda ja tekkida oht õnnetustele tekkeks. Lisateabe saamiseks võta ühendust lähima hooldustöökogaja.



ETTEVAATUST! Ärge kasutage seadet, kui selle turvavarustus pole täiesti korras. Turvavarustust tuleb kontrollida ja hooldada. Vaadake juhiseid peatükist Ketttsae turvavarustuse kontroll ja hooldus. Kui teie seadme kontrollimisel selgub, et kõik pole korras, tuleb seade viia töökotta parandusse.

Ketipidur ja turvakäepide

Teie ketttsael on ketipidur, mis on nii konstrueeritud, et see peatab keti, kui tekib tagasilöökk. Ketipidur vähendab õnnetuste ohtu, aga ainult teie kui kasutaja võimuses on seda täiesti ära hoida.

Ole töötamisel ettevaatlik ja kanna hoolt, et juhtplaadi ohusektor midagi ei riivaks.

- Ketipidurit saab lülitada käsitsi (A) (vasaku käega) või rakendub see inertsjõu toimel. **(3)**
- Pidur toimib, kui lükkad turvakäepide (B) ettepoole. **(3)**
- Liigutus ettepoole aktiveerib vedrumehhanismi, mis pingutab lintpidurit (C) mootori ketiveosüsteemi (D) (siduriketta) ümber. **(4)**

- Turvakäepide üheks ülesandeks on aktiveerida ketipidurit. Teine tähtis turvafunktsioon on takistada vasaku käe sattumist ketile juhul, kui esikäepide peaks käest libisema.
- Ketttsae käivitamisel peab olema ketipidur tööle rakendatud, et kett ei hakkaks liikuma.
- Ketipidurit võib kasutada nagu käsipidurit käivitamisel või seadme lühiajalisel transportimisel teise töökohta, et vältida juhuslikust kokkupuutest tekkida võivaid vigastusi.
- Ketipiduri väljalülitamiseks tõmba turvakäepide tagasi esikäepide poole.
- Tagasiviskumine võib olla väga ootamatu ja jõuline. Enamasti on tagasiviskumised väiksemad ja ei lülita ketipidurit alati sisse. Väikese tagasiviskumise korral hoiab ketttsaagi kindlalt, laskmata seda käest.
- Ketipiduri aktiveerimine (operaatori poolt käsitsi või automaatselt) on olemas tagasiviskumise jõust ja ketttsae asendist selle eseme suhtes, mida juhtplaadi ohusektor puudutab. Tugeval tagasilöögil ja siis, kui saelati ohusektor on kasutajast võimalikult kaugel, rakendub tagasilöögi suunalise inertsjõu toimel tööle ketipidur. Kui tagasiviskumine ei ole eriti jõuline või kui juhtplaadi ohusektor asetseb kasutajale lähemal, lülitab kasutaja ise vasaku käega ketipidurit.
- Kui vasak käsi on vales asendis, ei saa ketipidurit käsitsi lülitada. Sellise haarde korral, kus vasak käsi paikneb nii, et ketipidurit ei saa lülitada, jääb üle loota vaid inertsjõule.

Kas ma saan ise oma käega ketipidurit lülitada, kui tekib tagasilöökk?

Ei. Ketipiduri lükkamiseks ettepoole on vaja pisut jõudu rakendada. Kui te puudutate käega kergelt tagasilöögikaitset või libistate sellest üle, võib jõud olla liiga nõrk ketipiduri sisselülitamiseks. Hoidke töötamisel kindlalt ketttsae käepidemetest. Kui teil tekib tagasilöökk, võib juhtuda, et te ei lase kätt esikäepide küljest lahti ega aktiveeri ketipidurit, aga võib ka juhtuda, et ketipidur lülitatakse sisse alles siis, kui saag on jõudnud mõnda aega töötada. Siis on oht, et ketipidur ei jõua ketti õigeaegselt pidurdada ja kett võib teid enne vigastada. Mõnedes tööasendites võib teil käsi mitte ulatuda ketipidurini, et seda sisse lülitada, näiteks saega puu langetamisel.

Kas ketipidur lülitub inertsjõul alati, kui tekib tagasilöökk?

Ei. Esiteks peab ketipidur olema töökorras. Ketipidurit on kerge kontrollida, vaadake juhiseid peatükist Ketttsae turvavarustuse kontroll ja hooldus. Me soovime kontrolli teha enne iga töövahetust. Teiseks peab tagasilöökk olema piisavalt tugev, et ketipidur tööle hakkaks. Kui ketipidur oleks liiga tundlik, hakkaks ta tihti tööle ja see on tülikas.

Kas ketipidur kaitseb mind alati vigastuste eest, kui tekib tagasilöökk?

Ei. Kõigepealt peab ketipidur olema korras, et see tagaks piisava kaitse. Edasi peab ta aktiveeruma nii, nagu ülalpool kirjeldatud, et see pidurdaks ketti tagasilöögi tekkel. Kolmandaks võib ketipidur tööle hakata, aga kui saelatt on liiga lähedal teile, võib kett mitte jõuda aeglustuda, enne kui saag teid puudutab.

Tagasilööki koos selle ohtlike tagajärgedega võib vältida ainult töötaja ise õigete töövõtete kasutamisega.

Gaasihoovastiku sulgur

Gaasipäästik on konstrueeritud nii, et gaasihoovastik juhuslikult ei lülituks. Kui päästik (A) käepidemes sisse vajutada (sisse vajutatakse see nii, et hoitakse käepidemest), vabaneb gaasihoovastik (B). Kui käehaare käepidemel vabastada, lähevad gaasihoovastik ja ka gaasipäästik lähteasendisse. See tähendab seda, et tühikäigul on gaasihoovastik suletud asendis ja seda automaatselt. (5)

Ketipüüdja

Ketipüüdja ülesandeks on püüda kinni purunenud või juhtplaadilt mahatunud kett. Korralikult pingutatud kett tavaliselt ei purune ega tule juhtplaadilt maha (vt. peatükk Koostamine), kui juhtplaati ja ketti õigesti hooldada (juhised on toodud alajaotuses Üldised tööeeskirjad.)

Parema käe kaitse

Parema käe kaitse kaitseb su kätt, kui kett peaks juhtplaadilt maha tulema, ning ei lase okstel takistada tagumises käepidemest kinni hoidmist.

Vibratsioonisummutussüsteem

Seade on varustatud vibratsioonisummutussüsteemiga, mis vähendab vibratsiooni ja teeb seadme kasutamise mugavaks.

Vibratsioonisummutussüsteem vähendab vibratsiooni, mis kandub käepidemesse seadme mootorist ja löikeseadmetest. Ketsae korpus ja löikeseade on eraldatud käepidemetest amortiseerivate elementidega.

Kõva puud (suuremat osa lehtpuud) saagides tekib suurem vibratsioon kui pehmet puud (peamiselt okaspuid) saagides. Vigastatud, nüri või vale tüüpi ketiga saagides on vibratsioon tugevam.



ETTEVAATUST! Tugevate või pikaajaliste vibratsioonide toimel võib tekkida veresoonte ja närvide vaevusi neil, kellel on vereringehäired. Pöörduge arsti poole, kui teil ilmneb vibratsiooni tekitatud vaevuste nähte. Sellisteks nähtudeks on tundedus, jõu puudumine või tavalisest väiksem käte jõudlus, surin, torked või naha tundedus, nahapinna või nahavärvi muutumine, valu. Tavaliselt tekivad sellised nähud kätes, sõrmedes või randmetes. Külмага võivad need nähud tugevneda.

Seiskamislüliti

Mootori väljalülitamiseks kasuta seiskamislüliti.

Summuti

Summuti on konstrueeritud vähendama mürataset ning juhtima mootori heitgaase kasutajast eemale.



ETTEVAATUST! Mootori heitgaasid on kuuma ja võivad sisaldada sädemeid, mis võivad tekitada tulekahju. Sellepärast ära käivita seadet kunagi ruumis sees ega tuleohtlike materjalide lähedal!

Kuivas ja kuumas kohas võib tekkida suur tuleoht. Sellise kliimaga kohtades võib olla seadusandluses nõudeid summuti kohta, näiteks võib olla nõue, et summutil peab olema heakskiidetud sädemepüüdja (A). (6)

TÄHELEPANU! Summuti läheb seadme töötamisel väga kuumaks ja on kuum ka pärast seadme välja lülitamist. See kehtib ka tühikäigul töötamise kohta. Olge töötamisel hoolikas ja ettevaatlik, eriti siis, kui töotate tuleohtlike gaaside ja muude materjalide lähedal.



ETTEVAATUST! Ärge kasutage kettsaagi ilma summutita või katkise summutiga. Katkine summuti tekitab tugevat müra ja suurendab märgatavalt tuleohtu. Hoolitsege selle eest, et teil oleksid käepärast tulekustutusvahendid. Ärge kasutage seadet ilma sädemepüüdjaga või katkise sädemepüüdjaga, kui teie piirkonnas on sädemepüüdja kasutamine kohustuslik.

Lõikeseade

Käesolev peatükk räägib õige lõikeseadme valimisest ja selle hooldamisest, et:

- Vähendada tagasiviskumise ohtu.
- Vähendage keti purunemise ja maha tulemise ohtu.
- Tagage optimaalne lõikevõime.
- Pikendada lõikeseadme eluiga.
- Hoidke ära liigset müra.

Üldised eeskirjad

- **Kasuta ainult seadme tootja soovitatuid lõikeseadmeid!** Vaadake juhiseid peatükist Tehnilised näitajad.
- **Kanna hoolt, et keti hambad oleks korralikult teritatud!** Järgi meie eeskirju ja kasuta soovitatud teritusmalli. Vigastatud või valesti teritatud kett suurendab õnnetuse ohtu.
- **Hoidke õiget lõikesügavust!** Järgige meie juhiseid ja tagage õige sügavusmõõt (lõikesügavus), kasutades vastavat malli. Liiga suur lõikesügavus suurendab tagasilöögi ohtu.
- **Kanna hoolt, et kett oleks korralikult pingutatud!** Kui kett on liiga lõtv, on oht, et see tuleb juhtplaadilt maha. Liiga lõtv kett põhjustab juhtplaadi, keti ja veotähiku kulumist.
- **Kanna hoolt, et lõikeseade oleks korralikult määritud ja hooldatud!** Halvasti määritud kett puruneb kergemini ja tekitab suuremat juhtplaadi, keti ja veotähiku kulumist.

Lõikeosa, mis vähendab tagasilööki.



ETTEVAATUST! Tagasilöögi ohtu suurendab see, kui kasutatakse koos sellist saelatti ja saeketti, mis kokku ei sobi. Kasutage ainult selliseid saelattide ja kettide kombinatsioone, mida meie soovime ja järgige kasutusjuhendeid. Vaadake juhiseid peatükist Tehnilised näitajad.

Tagasiviskumist saab ära hoida ainult nii, et hoida juhtplaadi ohusektorit teisi esemeid rüüvamast.

Tagasiviskumisi on võimalik vähendada, kasutades "sisseehitatud" tagasiviskumiskaitsega lõikeseadet ja hoollistesdes selle eest, et kett oleks hästi teritatud ning hooldatud.

Juhtplaat

Mida väiksem on saelati tipu raadius, seda suurem on tagasilöögi oht.

Saekett

Saekett koosneb paljudest lülidest; saadaval on standardlülid ja tagasiviskumist vähendavad lülid.

TÄHTIS! Ükski saekett ei hoia ära tagasilööki.



ETTEVAATUST! Igasugune kokkupuude liikuva saeketiga võib tekitada tõsise kahjustuse.

Mõned terminid juhtplaadi ja keti kirjeldamiseks

Et lõikeosa turvadetailid täidaksid oma ülesannet, tuleb kulunud ja kahjustustega saelatt/saekett vahetada Jonsered poolt soovitatud saeketi ja saelattiga. Vaadake juhiseid osast Tehnilised näitajad, kus on andmed meie soovitatud saekettide ja saelattide kombinatsioonide kohta.

Juhtplaat

- Pikkus (tollides/cm)
- Hammaste arv juhtplaadi otsatähikul (T).
- Keti samm (=pitch) (tollides). Veolülide vahe peab sobima juhtplaadi otsatähiku ja veotähiku hammastega.
- Veolülide arv. Veolülide arvu määravad juhtplaadi pikkus, keti samm ja hammaste arv juhtplaadi otsatähikul.
- Juhtplaadi soone laius (tollides/mm). Juhtplaadi soon peab sobima kokku keti veolülide laisusega.
- Saeketi õlitamisauk ja pingutusauk. Juhtplaat peab sobima kokku kettsae konstruktsiooniga.

Saekett

- Saeketi samm (=pitch) (tollides)
- Veolülide laius (mm/tollides)
- Veolülide arv

Saeketi lõikesügavuse reguleerimine ja keti teritamine.



ETTEVAATUST! Kandke ketiga töötades alati kaitsekindaid, et kaitsta oma käsi vigastuste eest!

Üldised näpunäited saehammaste teritamise kohta

- Ärge kasutage saagimiseks teritamata saeketti. Kui te peate saagimisel suruma saagi puusse ja saagimisel tekib peenike saepuru, on see märk sellest, et kett on nüri. Kui saekett on väga nüri, ei teki üldse saepuru. Puu läheb siis saagimisel peeneks tolmuks.
- Hästi teritatud saekett läheb saagimisel ise puu sisse ja saepuru koosneb suurtest pikergustest tükkidest.
- Saeketi lõikavateks osadeks on saelülid, mis koosnevad saehambast (A) ja kontsast (B). Nende kõrguse vahe määrab saetee sügavuse. (7)

Saeketi teritamisel tuleb jälgida nelja mõõtu.

- 1 Teritusnurk
- 2 Lõikenurk
- 3 Viili asend
- 4 Ümarviili läbimõõt

Ilma abivahendita on väga raske saeketti korralikult teritada. Sellepärast me soovime teil kasutada teritusmalli. Teritusmalli järgi teritades tagate optimaalse lõikevõime ja tagasilöögi nõrgendamise.

Vaadake juhiseid peatükist Tehnilised näitajad, kus on toodud andmed kettsae kettide teritamise kohta.



ETTEVAATUST! Teritamise juhiste mittejärgimine suurendab tunduvalt tagasilöögi ohtu.

Lõikehammade teritamine

Saehammaste teritamiseks on vaja ümarviili ja teritusmalli. Vaadake peatükki Tehnilised näitajad, kus on toodud juhised ümarviili ja teritusmalli valikuks vastavalt saeketile.

- Kontrolli, kas saekett on õigesti pingutatud. Lõtva ketti on raske õigesti teritada.
- Lõikehambaid terita alati seestpoolt. Viili tagasitõmbamisel vähenda survet. Terita esiteks kõik hambad sae ühel poolel, siis keera kettsaag ringi ja terita hambad teisel poolel.
- Viili kõik hambad ühepikkuseks. Kui lõikehamba pikkus on ainult 4 mm (0,16''), on kett kulunud ja see tuleb asendada uuega. (8)

Lõikesügavuse reguleerimise üldpõhimõtted.

- Saehamba teritamine vähendab lõikesügavust (sügavusmõõtu). Parima lõikevõime saavutamiseks peab kontsa õigele kõrgusele viilima. Vaadake juhiseid peatükist Tehnilised näitajad, kus on toodud andmed lõikesügavuse kohta vastavalt konkreetsele saeketile.



ETTEVAATUST! Liiga suure lõikesügavuse korral suureneb tagasilöögi oht.

Lõikesügavuse seadistamine.

- Selleks et seadistada lõikesügavust, peavad olema enne saehambad teritatud. Soovitame lõikesügavust seadistada iga kolmanda teritamise järel. Tähelepanu! Seda soovitusi saab rakendada siis, kui saehambad pole liiga madalaks viilitud.
- Lõikesügavuse seadistamiseks läheb vaja lameviili ja lõikesügavuse seadistamise malli. Soovitame kasutada sügavusmõõdu seadistamiseks vastavat teritusmalli, sellega tagatakse õige sügavusmõõt ja kontsa nurk.
- Pange teritusmall saeketile. Teritusmalli kasutusjuhised on ka pakendil. Teritusmallist välja ulatuva kontsa viilimiseks kasutage lameviili. Sügavusmõõt on õige siis, kui teil viili lükkamisel üle teritusmalli ei teki takistust.

Keti pingutamine



ETTEVAATUST! Lõtv kett võib juhtplaadilt maha tulla ja tekitada raskeid või isegi eluohtlikke vigastusi.



ETTEVAATUST! Kasuta alati heakskiidetud kaitsekindaid. Ka liikumatu kett võib kokkupuutel tekitada kahjustuse nii seadme kasutajale kui teistele inimestele, kes selle vastu puutuvad.

Mida rohkem ketti kasutada, seda pikemaks see venib. Sellepärast on tähtis lõikeosa korrapäraselt reguleerida.

Kontrolli ketipinget iga kord, kui lisad kütust. **TÄHELEPANU!** Uus saag vajab sisetöötamist ja sel ajal tuleb ketipinget tihedamini kontrollida.

Pinguta ketti nii palju kui võimalik, aga nii, et seda saaks hõlpsasti käsitsi ringi vedada. **(9)**

- Keera lahti juhtplaadil asuv sidurikaitse ja ketipiduri kinnituskruvid. Keeramiseks kasuta kombivõtit. Kinnita kruvid uuesti käsitsi. **(10)**
- Tõsta juhtplaadi otsa ja pinguta ketti kombivõtmega, keerates ketipingutuskruvi. Pinguta ketti, et see enam juhtplaadi alumisel küljel lõdvalt ei ripuks. **(11)**
- Kinnita kombivõtme abil juhtplaadi kinnituskruvid, tõstes samas juhtplaadi otsa ülespoole. Kontrolli, kas ketti on võimalik hõlpsasti käsitsi ringi vedada ja kas see on tihedalt ümber juhtplaadi. **(12)**

Lõikeseadme määrimine



ETTEVAATUST! Puudulikult määritud lõikeseade võib põhjustada keti purunemist ja tekitada raskeid või isegi eluohtlikke vigastusi.

Ketiõli

Ketiõli peab ketile kleepuma ja hästi voolama, olgu ilm kuum või külm.

Kettsae tootjatena oleme väljatöötanud optimaalse taimse päritoluga ketiõli, mis looduses täielikult laguneb. Soovitame kasutada meie ketiõli, et pikendada maksimaalselt keti eluiga

ja samas säästa keskkonda. Kui meie ketiõli pole saadaval, soovitage tavalist ketiõli.

Ära kasuta kunagi läbitöötanud õli! See on kahjulik teile, seadmele ja keskkonnale.

TÄHTS! Taimse ketiõli kasutamisel tuleb pikemaajalisel säilitamisel saekett maha võtta ja puhastada saelati soon ja saekett. Saeketiõli võib oksüdeeruda, kett minna jäigaks ja tähik kinni jääda.

Ketiõli lisamine

- Kõikidel meie kettsaagidel on automaatne ketiõlitussüsteem. Teatud mudelitel on lisaks veel reguleerivat ketimäärimine.
- Kütusepaak ja ketiõlipaak on selliste mõõtudega, et kütus saab otsa enne ketiõli.

See kehtib muidugi sel juhul, kui kasutada õiget ketiõli (kui kasutada liiga voolavat ja kerget ketiõli, võib ketiõlipaak saada enne tühjaks), järgida meie juhiseid karburaatori seadistamiseks (liiga lahja segu kasutamisel jätkub kütust kauem kui ketiõli) ja lõikeosa saelata (pika saelati korral kulub rohkem ketiõli).

Kontrolli keti määrimist

- Kontrolli keti määrimist iga kord, kui lisad kütust. Vaadake juhiseid peatükist Saelati tähiku määrimine.

Suuna juhtplaat umbes 20 cm (8 tolli) kauguselt heleda pinna suunas ja lase ketti joosta minut aega kolmveerandgaasiga. Pinnale peab jääma selgelt nähtav õlijälj.

Kui keti määrimine ei toimi:

- Vaata järele, kas juhtplaadi õlikanalis pole mingeid takistusi. Puhasta vajaduse korral.
- Kontrolli, et soon juhtplaadi küljel oleks puhas. Puhasta vajaduse korral.
- Kontrolli, kas juhtplaadi otsatähik pöörleb vabalt ja kas määrdeauk otsas ei ole blokeeritud. Puhasta ja määri vajaduse korral.

Kui keti määrdesüsteem peale seda ikka ei tööta õigesti, võta ühendust hooldustöökogaga.

Keti veotähik

Siduritrummel on varustatud kannus-veorattaga (ketiveoratas trumlile kinni joodetud).

Kontrolli korrapäraselt veotähiku kulumist. Vaheta veotähik välja, kui see on liiga kulunud. Vaheta veotähikut iga kord, kui vahetad saeketti.

Kontrolli lõikeseadme kulumist

Kontrolli iga päev saeketti:

- ketil on silmaga nähtavaid pragusid neetides või lülides.
- saekett on jäik.
- needid või lülid on väga kulunud.

Saeketti ei saa enam kasutada, kui ilmneb mingi allpool nimetatud tunnus:

Võrdle ketti uue ketiga, et määrata, kui võrd kulunud see on.

Kui lõikehammade pikkus on ainult 4 mm, tuleb kett uuega asendada.

Juhtplaat

Kontrolli tuleb teostada korrapäraselt:

- Kontrolli, ega juhtplaadi äär pole kare. Vajadusel eemalda karedus viiliga. **(13A)**
- Kontrolli, ega juhtplaadi soon pole väga kulunud. Vajadusel asenda juhtplaat uuega. **(13B)**
- Kontrolli, ega juhtplaadi ots pole ebaühtlaselt või väga kulunud. Kui juhtplaadi üks külg kulub õõnsaks, on töötatud liiga lõdva ketiga.
- Et juhtplaadi eluiga pikendada, peab seda iga päev pöörama.



ETTEVAATUST! Suurem osa õnnetustest juhtub seetõttu, et kettsae kett riivab operaatorit.

Kanna isiklikku ohutusvarustust. Juhised on toodud alajaotuses Isiklik ohutusvarustus.

Ära võta ette tööd, millega toime tulemises sa pole kindel. Juhised on toodud alajaotuses Isiklik ohutusvarustus, kuidas vältida tagasiviskumist, Lõikeseade ja Üldised tööeeskirjad.

Välgi olukordi, kus võib tekkida tagasiviskumine. Juhised on toodud alajaotuses Seadme ohutusvarustus.

Kasuta soovitud ohutusvarustust ja kontrolli, et see toimiks. Juhised on toodud alajaotuses Üldised tööeeskirjad.

Kontrolli, kas kõik kettsae ohutusseadmed töötavad. Juhised on toodud alajaotuses Üldised tööeeskirjad ja Üldised ohutuseeskirjad.

Juhtplaadi ja keti paigaldamine



ETTEVAATUST! Kontrolli ja/või hooldust tuleb teha välja lüüritatud mootoriga. Seiskamislüüti läheb ise lähteasendisse. Et vältida seadme tahtmatut käivitamist, tuleb monteerimistöode, remondi ja hoolduse ajaks võtta süüteküünalt süütepea.

Kandke ketiga töötades alati kaitsekindaid, et kaitsta oma käsi vigastuste eest!

Kontrolli, et ketipidur ei oleks väljalüüritatud asendis; selleks liiguta turvakäepidet esikäepideme suunas.

Keera kinnitusmutrid lahti ja eemalda siduri kate (ketipidur). Eemalda transpordikaitse. (A) **(15)**

Paigalda juhtplaat juhtplaadi poltidele. Lükka juhtplaat tagumisse asendisse. Pane kett veotähikule ja juhtplaadi soonde. Alusta juhtplaadi ülemisest poolest. **(17)**

Kontrolli, kas lõikelülide terad on juhtplaadi ülemisel poolel ettepoole suunatud.

Paigaldage sidurikaas (ketipidur) ja asetage keti reguleerimistihvt latil olevasse avasse. Kontrollige, et keti veolülid oleksid korrektselt veorattale paigutatud ning et kett asuks korrektselt latil olevas soones. Kinnitage lati mutrid sõrmedega. **(17)**

Keti pingutamiseks keera pingutuskrui kombivõtme abil päripäeva. Ketti tuleb pingutada, kuni see ei ole juhtplaadi alumisel poolel lõtv. Vaadake juhiseid peatükist Saeketi pingutamine. **(18)**

Kett on korrektselt pingutatud, kui see ei ole juhtplaadi alumisel poolel lõtv ja on käega kergelt ringiveetav. Keera kinnitusmutrid kombivõtmega kinni, samaaegselt juhtplaati üleval hoides. **(19)**

Uue keti puhul tuleb ketipingsust tihti kontrollida, kuni kett on sisse töötatud. Kontrolli ketti reeglipäraselt. Õigesti pingutatud kett tagab head lõikeomadused ja pikendab keti eluiga. **(19)**

Kooretoe paigaldamine

Kooretoe paigaldamise küsimustes pööruda hooldustöökoja poole.

Küttesegu

Pange tähele! Seadmel on kahetaktimootor ja see vajab töötamiseks bensiini ning kahetaktiõli segu. Õige vahekorra saamiseks tuleb hoolikalt määrata õlikogus bensiini segamiseks. Väikeste kütusekoguste segamisel võivad ka väikesed eksimused õlikoguse osas mõjutada segu koosseisu oluliselt.



ETTEVAATUST! Hoolitse, et segamise ajal oleks ventilatsioon hea.

Bensiin

- Kasuta kvaliteetset plii- või pliivaba bensiini.
- Madalaim soovituslik oktaanarv RON on 90. Kui mootoris kasutada bensiini 90 madalama oktaanarvuga, võib see üle kuumeneda. Mootori temperatuuri tõus suurendab laagrite koormust, mis võib põhjustada mootoris raskeid kahjustusi.
- Pidevalt suurtel pööretel töötades (nt. laasimisel) on soovitatav kasutada kõrgema oktaanarvuga bensiini.

Sissetöötamine

Esimese 10 töötunnil tuleb vältida suurel pöörlemiskiirusel töötamist pikema aja jooksul.

Kahetaktiõli

- Parima tulemuse saavutamiseks kasutage JONSERED kahetaktiõli, mis on spetsiaalselt meie õhkjahutusega kahetaktimootorite jaoks valmistatud.
- Ärge kasutage mingil juhul vesijahutusega kahetaktimootorite jaoks toodetud õli, mille võõrkeelne nimetus on outboardoil (lühend TCW).
- Ära kasuta kunagi neljataktilise mootori õlisid.
- Madala kvaliteediga õli ja ka liiga rammus õli ja kütuse segu võivad katalüsaatorseadme tööd segada ja vähendada selle tööiga.

Segu koostis

1:50 (2%) JONSERED kahetaktiõli.

1:33 (3%) teiste õlide korral, mis on õhkjahutusega kahetaktimootoritele, klassifitseeritud JASO FB/ISO EGB jaoks.

Bensiin, liitrit	Kahetaktiõli, liitrit	
	2% (1:50)	3% (1:33)
5	0,10	0,15
10	0,20	0,30
15	0,30	0,45
20	0,40	0,60

Segamine

- Bensiini ja õli omavaheliseks segamiseks kasuta alati puhast nõu, mis on ette nähtud bensiini jaoks.
- Esiteks vala nõusse pool segatavast bensiinist. Lisa kogu õlikogus. Sega (loksuta) küttesegu segamini. Lisa ülejäänud bensiin.
- Sega (loksuta) küttesegu hoolikalt enne seadme kütusepaagi täitmist.
- Ära sega rohkem kütust kui üheks kuuks vaja.

- Kui seade jääb pikemaks ajaks seisma, tuleb kütusepaak tühjendada ja puhastada.

Ketiõli

- Määrimiseks kasutatakse spetsiaalset õli (ketiõli), millel on hea nakuvus.
- Ära kasuta kunagi läbitootatud õli. See viib õlipumba, juhtplaadi ja keti vigastusteni.
- Tähtis on kasutada õiget õlisorti (sobiva viskoossusega), arvestades ilmastikuolusid.
- Õhutemperatuuril alla 0°C muutuvad mõned õlid raskesti voolavaks. See võib põhjustada õlipumba ülekoormuse, millele järgnevad õlipumba osade rikked.
- Sobiva ketiõli valimiseks pea nõu hooldustöökojaga.

Tankimine



ETTEVAATUST! Järgnevad ettevaatusabinõud vähendavad tulekahjuohtu:

Ärge suitsetage kütuse lähedal ega pange sinna kuumi esemeid.

Seiska mootor ning lase sel enne tankimist mõni minut jahtuda.

Kütuse lisamisel ava kork ettevaatlikult, et ülerõhk saaks aeglaselt väheneda.

Pärast kütuse lisamist pinguta korki hoolikalt.

Enne käivitamist vii seade alati tankimiskohast eemale.

Pühi paagikorgi ümbrus puhtaks. Puhasta korrapäraselt kütuse- ja ketiõlipaaki. Kütusefiltrit tuleb vahetada vähemalt kord aastas. Mustus paagis tekib mootori töös häireid. Jälgi, et kütus oleks korralikult segunenud, selleks loksuta iga kord enne kütusepaagi täitmist kütuseõud. Kütuse- ja ketiõlipaagi mahud on omavahel sobitatud. Sellepärast täida alati mõlemad paagid samaaegselt.



ETTEVAATUST! Kütus ja selle aurd on väga tuleohtlikud ja kahjulikud sissehingamisel. Ole ettevaatlik käsitsedes kütust ja ketiõli. Mõtle tule- ja plahvatusohu peale.

Ohutusnõuded kütuse käsitlemisel

- Ärge kalla seadmesse kütust, kui mootor pole välja lülitatud.
- Hoolitse selle eest, et kütuse segamisel (bensin kahetaktiõliga) ja tankimisel oleks ventilatsioon hea.
- Enne käivitamist vii seade vähemalt 3 meetri kaugusele kütuse lisamise paigast.
- Ära käivita seadet:
 - 1 Kui sellele on sattunud kütust või õli. Pühi seade kuivaks ja lase ka bensiinijääkidel ära auruda.
 - 2 Kui kütus on sattunud Su kehale või riidele, vaheta riided. Pese puhtaks kehaosad, kuhu on sattunud kütust. Pese vee ja seebiga.

- 3 Kui seadmest pihkub kütust. Kontrolli korrapäraselt, et kütust ei lekiks kütusepaagi korgi vahelt või voolikut.



ETTEVAATUST! Ärge kasutage seadet, kui sellel on nähtavaid kahjustusi süüteküünla kaitse ja süütejuhtmel. Võib tekkida säde ja põhjustada tulekahju.

Transport ja hoiustamine

- Ära hoiä kettsaagi ega kütust paigas, kus võib tekkida sädemeid või lahtist tuld, näit. masinate, elektrimootorite, releede, lülitite, katelde jmt. seadmete läheduses.
- Hoiä kütust selleks ettenähtud nõus.
- Kui kettsaag jääb pikemaks ajaks seisma või seda transportitakse, tuleb kütuse- ja õlipaak tühjaks teha. Palu lähimast bensiinijaamast abi sobiva paiga leidmisel vana kütuse ja õli kasutusel kõrvaldamiseks.
- Enne pikemaajalist hoiustamist tuleb seade korralikult puhastada ja hooldada.
- Transportimisel või säilitamisel peab lõikeosal olema transportimiskaitse, et kogemata miski ei puutuks terava keti vastu. Ka liikumatu kett võib kokkupuutel tekitada kahjustuse nii seadme kasutajale kui teistele inimestele, kes selle vastu puutuvad.
- Kinnitage seade transportimise ajaks.

Pikaajaline hoiustamine.

Tühjendage kütusepaak ja õlipaak hästi õhustatavas kohas. Hoidke kütust selleks ette nähtud paagis kindlas kohas. Pange saelatle kaitse. Puhastage seade. Vaadake juhiseid peatükist Hooldusskeem.

Käivitamine ja seiskamine



ETTEVAATUST! Enne käivitamist tuleb meeles pidada järgmist:

Sae käivitamisel peab olema ketipidur sisse lülitatud, et pöörleva ketiga käivitamisel õnnetust ei juhtuks.

Ära käivita kettsaagi, millele pole korralikult paigaldatud kõiki katteid, saeketti või –lehte. Sidur võib lahti tulla ja põhjustada raskeid vigastusi.

Aseta seade kindlale pinnale. Jälgi, et seisad kindlalt ja et kett ei saa millessegi haakuda.

Vaata, et tööpiirkonnas poleks võõraid isikuid.

Külm mootor

Käivitamine: Kettsae käivitamisel peab ketipidur olema sisse lülitatud. Ketipidur aktiveeritakse tagasilöögikaitse ettepoole lükkamise teel. (20)

1. Kütusepump: Vajuta korduvalt kütusepumba kummipööiele, et kütuks liiguks pöide. Pöis ei pea täiesti täis saama. (23)

2. Õhuklapp: Tõmmake sinine õhuklapi-/ahendusklapilüliti täiesti välja (positsioonile ÕHUKLAPP TÄIELIKULT VÄLJAS). Kui õhuklapi hoob on lõpuni välja tõmmatud, seadistatakse automaatselt õige käivitusgaas. (21)

Käivitusgaas: Kombineeritud õhuklapi/käivitusgaasi asendi saavutamiseks, kui tõmbad käivitusgaasiregulaatori käivitusasendisse. (22)

Käivitamine

Võtke vasaku käega eesmisest pidemest kinni. Hoidke kettsaagi maas, asetades parema jala läbi tagumise pideme.

3. Tõmmake starteri pidet parema käega ja tõmmake käivitusnööri aeglaselt, kuni tunnete takistust (starteri pöörlik aktiveerub), ning tõmmake seejärel tugevalt ja kiirelt, kuni mootoris süttib tuli. **Käivitusnööri ei tohi kerida käe ümber.** (25)

TÄHELEPANU! Ära tõmba käivitusnööri täies pikkuses välja, ära lase käiviti käepidet lahti, kui see on väljatõmmatud asendis. See võib seadmele vigastusi tekitada.

4. Lükka käivitusgaasiregulaatori kohe pärast süüte lülitumist (kostub pahvatav heli) poole võrra sisse. (21)

5. Tõmmake nööri jõuliselt edasi, kuni mootor käivitub. (26) Lase mootoril pool minutit soojeneda, seejärel pigista tavalise tühikäigu saavutamiseks drossellüliti.

Kuna pidurikett on jätkuvalt rakenduses, tuleb mootori kiirus esimesel võimalusel vabakäigule seada, vajutades korra kiirelt ahendusklapi kangi. See väldib siduri, siduritumli ja pidurdusrihma asjatut kulumist.

Pange tähele! Taastage ketipidur, liigutades tagasilöögikaitset (märgistatud tekstiga "PULL BACK TO RESET") käepideme poole. Mootorsaag on nüüd kasutusvalmis. (27)

Soe mootor

Kasutage sama protseduuri nagu külma mootori käivitamisel, kuid ilma õhuklapiüliti õhuklapi positsiooni lükkamata. Seadke ahendusklapp startipositsiooni — tõmmake sinine õhuklapiüliti välja õhuklapi positsiooni ja lükake see seejärel sisse tagasi. (24)



ETTEVAATUST! Tervisele on ohtlik pikemat aega sisse hingata mootori heitgaase, toimu ja pihustunud ketiõli.

- Ära käivita kettsaagi, millele pole korralikult paigaldatud kõiki katteid, saeketti või –lehte. Juhised on toodud Koostamist käsitlevas alajaotuses. Kui kettsaele pole paigaldatud saelatit ja saeketti, võib sidurisõlm lahti tulla ja põhjustada tõsiseid kahjustusi. (28)
- Käivitamisel peab ketipidur olema tööle rakendatud. Vaadake juhiseid peatükist Käivitamine ja seiskamine. Ärge hoidke käivitamisel kettsaagi õhus. Selline käivitamisviis on väga ohtlik, sest nii võib kergesti kaotada kettsae üle kontrolli. (29)
- Ära käivita seadet ruumis. Mootori heitgaasid võivad olla tervisele kahjulikud.
- Enne kui käivitad seadet, tee kindlaks, et läheduses ei ole inimesi ega loomi, kellele see võiks ohtlikuks osutada.
- Hoidke kettsaagi kindlalt mõlema käega. Hoidke parema käega tagumisest käepidemest ja vasema käega esimesest käepidemest. **Nii peab hoidma kettsaagi sõltumata sellest, kas te olete vasakukäeline või paremakäeline.** Hoidke kindlalt pidlad ja sõrmed ümber käepidemete. (30)

Seiskamine

Mootori peatamiseks vajutage stopp-nuppu. (31)

Enne kasutamist tuleb alati: (32)

- 1 Kontrollida, et ketipidur töötab ega pole kahjustatud.
- 2 Kontrollida, et tagumise parema käepideme kaitse poleks kahjustatud.
- 3 Kontrollida, et gaasihoovastiku lukustus töötab korralikult ega pole kahjustatud.
- 4 Kontrollige, kas seisamislülitit on korras ja töötab hästi.
- 5 Kontrollida, et kusagil käepidemetel poleks õli.
- 6 Kontrollida, et vibratsioonisummutussüsteem töötab ega pole kahjustatud.
- 7 Kontrollida, et summuti on korralikult kinni ega pole kahjustatud.
- 8 Kontrollida, et kõik kettsae osad on korralikult kinni ega pole kahjustatud või puudu.
- 9 Kontrollida, et ketipidur on oma koha peal ega pole kahjustatud.
- 10 Kontrollige keti pingusust.

Üldised tööeeskirjad

TÄHTS!

Käesolevas peatükis on põhilised kettsaaga töötamise ohutuseeskirjad. Need eeskirjad ei asenda aga professionaalseid oskusi, mida annab väljaõpe, ega kogemusi. Kui olukord on sulle tundmatu, katkesta töö ja palu abi asjatundjalt. Pöördu nõu küsimiseks kettsae müüja, hooldustöökoha või kogunud kettsae kasutaja poole. Ära hakka tööd tegema, kui sa tunned, et sul puuduvad selleks oskused ja kogemused!

Enne kui hakkad kettsaagi kasutama, pead teadma, mis on tagasiviskumine, kuidas see tekib ja kuidas seda ära hoida. Juhised on toodud alajaotuses Kuidas vältida tagasiviskumist.

Enne kui hakkad kettsaagi kasutama, pead teadma, mis vahe on juhtplaadi ülemise ja alumise äärega saagimisel. Vaadake juhiseid peatükist Meetmed tagasilöögi vältimiseks ja Seadme turvavarustus.

Kanna isiklikku ohutusvarustust. Juhised on toodud alajaotuses Isiklik ohutusvarustus.

Põhilised ohutuseeskirjad

- 1 Vaata ringi:
 - Tee kindlaks, et tööpiirkonnas ei oleks inimesi, loomi ega midagi muud, mis võiks häirida sinu kontrolli seadme üle.
 - Ja tee kindlaks, et ülalmainitud ei saa sattuda see tööpiirkonda ega saada vigastatud langevatest puudest.

TÄHELEPANU! Järgi ülalmainitud eeskirju, kuid ära kunagi kasuta kettsaagi olukorras, kus pole võimalik abi kutsuda.

- 2 Hoidu seadme kasutamisest halva ilmaga. Ära tööta paksu udu, kõva vihma, tuule või pakase korral. Halva ilmaga töötamine väsitab ja sellega kaasneb muud ohte, nagu libe maapind, puu ootamatu langemissuund jne.
- 3 Ole väga ettevaatlik, kui laasid peeneid oksa ja ära lõika võsa (palju peeneid oksa korraga). Peened oksad võivad haakuda saeketti ja tekitada ohtlikke vigastusi.
- 4 Veendu, et sa seisad kindlalt ja saad vabalt astuda. Vaata, et läheduses ei oleks tõkkeid, nagu juuri, kive, oksa, kraave jne., mis takistaksid sind juhl, kui peaksid olema sunnitud kiiresti liikuma. Ole eriti ettevaatlik mäeküljel töötades.

- 5 Ole eriti ettevaatlik, kui lõikad pingel all olevaid puid. Pingel all olev puu võib algasendis tagasi painduda. Kui seisad vales paigas või teed sisselõike valesse kohta, võib puu sind või seadet tabada, nii et kaotad kontrolli seadme üle. See võib omakorda tekitada raskeid kehavigastusi.
- 6 Lülita mootor välja ja lukusta saekett ketipiduri abil, kui seadet on vaja teise kohta toimetada. Kanna kettsaagi nii, et juhtplaat ja kett on suunatud tahapoole. Pikemal transportimisel peab juhtplaat olema kaitstud kaitsekattega.
- 7 Kui te panete kettsae maapinnale, peab ketipidur olema tööle rakendatud ja teil tuleb sael ka silm peal hoida. Kui teete pikema vaheaja, lülitage mootor välja.



ETTEVAATUST! Vahel takerduvad pilpad muhvi kattesse, mille tõttu kiilub kett kinni. Puhastamise eel seisake alati mootor.

Üldised eeskirjad

- 1 Kui on teada, mis on tagasiviskumine ja kuidas see tekib, pole üllatus nii suur. Teadlikkus aitab ohtu vähendada. Harilikult on tagasiviskumine küllalt nõrk, aga mõnikord võib see olla väga äkiline ja jõuline.
- 2 Hoiu parema käega alati tugevasti kettsae tagumised käepidemest ja vasakuga esikäepidemest. Hoiu sõrmest kindlalt ümber käepidemete. Hoida tuleb mõlema käega, hoolimata sellest, kas oled parema- või vasakukäeline. Nii väheneb tagasiviskumise oht ja suureneb sinu kontroll kettsae üle. **Ära lase käepidemetest lahti!**
- 3 Suurem osa õnnetusi seoses tagasiviskumisega juhtub laasimisel. Kanna hoolt, et sul oleks hea ja tasakaalustatud tööasend ja et ees ei oleks midagi, millele võiksid komistada või mis võiks tasakaalu häirida.

Kui töötada tähelepanematult, võib juhtplaadi ohusektor riivata lähedal olevat oksa, puud või muud eset ja tekib tagasiviskumine.

Saetav puu peab olema kontrolli all. Kui te saete väikseid ja kergeid puutükke, võivad need jääda saeketti kinni ja paiskuda teie vastu. See võib ka mitte ohtlike kahjustusi tekitada, aga siiski ehmutada ja te võite kaotada kontrolli sae üle. Ärge saagige virmu või oksa hunnikus, võtke nad eraldi ette. Saagige ainult ühte tüve või oksa korraga. Võtke lahtisaetud tükid ära ja kontrollige, et teie töökoht oleks kogu aeg korras ja jalgealne kindel.

- 4 **Ära kunagi sae kettsaaga kõrgemalt kui olakõrguselt ja ära lõika juhtplaadi otsaga. Ära hoiu kettsaagi kunagi ainult ühe käega! (33)**
- 5 Seisa kindlal pinnal, ainult siis on sul kindel kontroll kettsae üle. Ära kunagi tööta seadmega, kui sa seisad redeli peal, oled puu otsas või kui sul pole kindlat jalgealust. **(34)**
- 6 Sae alati täisgaasil, siis liigub kett kiiresti.
- 7 Ole väga ettevaatlik, kui lõikad juhtplaadi ülemise äärega, s.t. lõikad altpoolt. Siis toimub nn. lükkav lõikamine. Lükkaval lõikamisel lükkab saekett saagi tagasi operaatori poole. Kui saekett jääb kinni, võib kettsaag tagasi lüüa teie suunas.
- 8 Kui sul ei õnnestu saeketi lükkavale jõule vastu seista, võib kettsaag nii kaugele taha liikuda, et ainult juhtplaadi tagasiviskumise sektor jääb puuga kontakti, mille tulemuseks on tagasiviskumine. **(35)**

Lõikamist juhtplaadi alumise äärega, s.t. ülaltpoolt lõikamist, nimetatakse tõmbavaks lõikamiseks. Tõmbaval

lõikamisel tõmbab kettsaag ennast puu poole ja saag puhkab puul. Tõmbava lõikamise ajal on sul parem kontroll nii kettsaag kui ka tagasiviskumise sektori üle.

- 9 Järgi teritamise ja hooldamise eeskirju. Kasuta ainult tootja poolt soovitatud juhtplaadi ja keti kombinatsioone. Juhised on toodud alajaotustes Lõikesead ja Tehnilised andmed.

Põhiline lõikamistehnika



ETTEVAATUST! Ärge saagige nii, et te hoiate kettsaagi ainult ühe käega. Ühe käega hoides ei saavuta te täielikku kontrolli kettsaag üle. Hoidke seadet alati kahe käega ja kindlalt.

Üldised näpunäited

- Lõikamisel anna alati täisgaasi!
- Vähenda pöörded tühikäigule peale iga lõikamist (kui mootor käib täispöorel liiga kaua ilma koormuseta, mida tekitab saagimine, võib ta rikki minna).
- Lõikamine ülalt = Tõmbav lõikamine.
- Lõikamine alt = Lükkev lõikamine.

Lükkev lõikamine suurendab tagasiviskumise ohtu. Juhised on toodud alajaotuses Kuidas vältida tagasiviskumist.

Osksõnad

Lõikamine = Üldine nimetus puu läbisaaigimise kohta.

Laasimine = Langetatud puu küljest okste lõikamine.

Murdumine = Palk murdub enne, kui oled selle läbi saaginud.

Viis tegurit, millele tuleb enne lõikamist tähelepanu pöörata:

- 1 Kanna hoolt, et juhtplaat ei kiiluks lõikesoones kinni.
- 2 Kanna hoolt, et palk ei murduks.
- 3 Kanna hoolt, et kett ei puudutaks maad või muud eset lõikamise ajal ega ka peale läbilõikamist.
- 4 Kontrolli, kas esineb tagasiviskumise ohtu.
- 5 Kas ilmaolud või ümbritsev pinnastik võivad mõjutada ohutust?

Keti kinnikiilumist ja palgi murdumist põhjustab palgi toetumisviis ja see, kas palk on pinge all või mitte.

Peaegu alati on võimalik neid probleeme vältida, lõigates palki kahes järgus: altpoolt ja ülaltpoolt. Toeta palki nii, et kett ei kiiluks kinni ja palk ei murduks lõikamise ajal.

TÄHTSIS! Kui kett kiilub kinni, lülita mootor välja! Ära proovi kettsaagi lahti tõmmata. See võib vigastada ketti, kui kettsaag järsku lahti pääseb. Painuta lõikesoon näit, murdraua abil lahti ja vabasta juhtplaat.

Järgnevas kirjeldatakse tegutsemist tavalisemates olukordades, mis võivad ette tulla kettsaaga töötamisel.

Laasimine

Jämedaid oksti laasides tuleb toimida samamoodi kui palki lõigates.

Lõika keerulised oksad mitmes järgus.

Lõikamine



ETTEVAATUST! Ärge saagige puid, mis on virnas ega puid, mis on tihedalt üksteise vastas. Sellises tööolukorras on tagasilöök väga kerge juhtuma ja see võib tekitada isegi eluohutliku vigastuse.

Kui teil on virnastatud puid vaha saagida, tuleb puud ükshaaval panna saepukile või saagimisaluselale ja siis saagida.

Korjake saetud tükid kohe oma töökohast ära. Kui need jäävad jalgu, võib juhuslikult tekkida tagasilöök ja te võite ka tasakaalu kaotada, kui te jalgealune pole korras.

Palk lamab maas. Ei esine erilist ohtu keti kinnikiilumiseks ega palgi murdumiseks. Kuid kett võib puudutada maad pärast palgi läbilõikamist.

Lõika palk läbi ülaltpoolt. Katsu vältida, et kett puutuks maad palgi läbilõikamise lõpul. Hoiatäisgaasi, aga ole ettevaatlik. **(36)**

Kui palki on võimalik keerata, sae läbi umbes 2/3 tüvest.

Keera palki ja lõika ülejäänud kolmandik teiselt poolt läbi.

Palk toetub ühest otsast. Murdumise oht on suur.

Alusta lõikamist altpoolt (lõika umbes 1/3 palgist läbi).

Lõpeta ülaltpoolt lõigates, et lõikesooned kohtuksid.

Palk on toetatud mõlemast otsast. Oht keti kinnikiilumiseks on suur.

Alusta lõikamist ülaltpoolt (lõika umbes 1/3 palgist läbi).

Lõpeta altpoolt lõigates, nii et lõikesooned kohtuvad.

Langetamistehnika

TÄHTSIS! Et puud langetada, on vaja suuri kogemusi. Kui sul pole kettsaaga töötamise kogemusi, ära langeta puid. Ära võta ette tööd, millega toime tulekus sa pole kindel!

Ohutsoon

Ohutsoon langetatava puu ja kõrvalseisja vahel on vähemalt 2 1/2 puu pikkust. Hoolitse selle eest, et enne langetamist ja langetamise ajal keegi ei viibiks ohutsoonis. **(37)**

Langetamissuund

Puu tuleb langetada järgnevas laasimiseks ja tükeldamiseks maksimaalselt heas suunas. Ala, kuhu puu langeb, peab olema töötamiseks sobiv.

Kui oled otsustanud, mis suunas puu peab langema, pead arvesse võtma ka puu loomuliku langemissuunda.

Seda mõjutavad mitu tegurit:

- Kuhupoole on puu kaldu
- Kas puu on kõver
- Tuulesuund
- Okste paiknemine
- Lume raskus
- Takistused puu ümbruses: teised puud, õhujuhthmed, teed ja ehitised.
- Vaadake puu üle: kas puul pole kahjustusi või mädanikke, mis on puu langetamise seisukohalt olulised, enne kui hakkate puud langetama.

Võib juhtuda, et pead laskma puul langeda loomulikus langemissuunas, kuna on võimatu või ohtlik sundida seda soovitud suunas langema.

Veel üks väga tähtis tegur, mis ei mõjuta langetamissuunda, vaid sinu turvalisust, on vajadus kindlaks määrata, kas puul on vigastatud või surnud oksid, mis langetamisel võivad murduda ja pähe kukkuda.

Kõige tähtsam on, et puu ei langeks teisele puule otsa. Kinnijäänud puud langetada on väga ohtlik ning õnnetusoht on suur. Juhised on toodud alajaotuses Halvasti langenud puu käsitsemine.

TÄHTIS! Ohtlike langetamiste korral peab kõrvaklapid kõrvadelt eemaldama kohe pärast saagimist, et häälled ja hoiatussignaalid oleksid kuulavad.

Tüve laasimine ja pääsetee kindlustamine

Laasige puult kuni öla kõrguseni kõik oksad. Töötage suunaga ülalt allapoole ja nii, et puutüvi jääks teie ja sae vahele.

Eemalda puu all kasvav võsa ja veendu, et kivid, oksad, augud jne. ei tõkesta sinu pääseteed. Pääsetee peab olema kavandatava langetamissuuna suhtes umbes 135–kraadise nurga all. **(38)**

- 1 Ohupiirkond
- 2 Taganemistee
- 3 Langetamissuund

Langetamine



ETTEVAATUST! Kui sul puudub vastav väljaõpe, ära langeta puud, mille läbimõõt ületab juhtplaadi pikkuse!

Langetamine toimub kolme löikega. Kõigepealt tuleb teha langetussälk, mis koosneb ülemisest ja alumisest sisselõikest; lõpuks tuleb teha langetav sisselõige. Kui need löiked on tehtud õigesse kohta, on võimalik langemist suunata väga täpselt.

Langetussälk

Langetussälku tuleb alustada ülemise sisselõike tegemisega. Seisa paremal pool puud ja löika kaldu allapoole.

Pärast seda tuleb teha alumine sisselõige, nii et see lõpeks samas kohas, kus ülemine sisselõige. **(39)**

Langetussuunda määrav sälk peab ulatuma tüvesse 1/4 läbimõõdu võrra. Nurk ülemise ja alumise sisselõike vahel peab olema 45 kraadi.

Kohta, kus sisselõiked kohtuvad, nimetatakse langetussälgu jooneks. See peab olema täiesti horisontaalne ning valitud langemissuuna suhtes täisnurga (90°) all. **(40)**

Langetav sisselõige

Langetav sisselõige tuleb teha puu teisele poolele ja see peab olema täiesti horisontaalne. Seisa vasakul pool puud ja löika juhtplaadi alumise äärega.

Tee langetav sisselõige umbes 3–5 cm (1,5–2 tolli) langetussälgu horisontaalõikest kõrgemale.

Tõeta kooretugi (kui see on paigaldatud) pideriba taha. Suru täisgaasiga saag aeglaselt tüvesse. Jälgi, kas puu ei hakka liikuma soovitud langetamissuunast erinevas suunas. Suru

langetuskiil või –raud sisselõikesse, niipea kui löige on selleks küllaltki sügav. **(41)**

Lõpeta langetav sisselõige paralleelselt langetussälgu joonega, nii et vahemaa nende vahel on vähemalt 1/10 tüve läbimõõdust. Tüve läbilõikamata osa nimetatakse pideribaks.

Pideriba toimib nagu uksehing, mis kontrollib puu langemissuunda. **(42)**

Kui pideriba on liiga kitsas ning langetav sisselõige või langetussälgu suunda määravad sisselõiked ei ole tehtud õigesse kohta, ei ole üldse võimalik puu langemissuunda kontrollida.

Kui langetussälk ja langetav sisselõige on tehtud, hakkab puu omaenda raskuse all langema. Vajaduse korral kasuta langetuskiilu või –rauda.

Soovitame kasutada saagi, millel on puu läbimõõdust pikem saelatt, et te saaksite nii langetamisloike kui suunava löike teha ühelt poolt saagimisega, nn. liitsaagimisega. Vaadake juhiseid peatükist Tehnilised näitajad, kus on toodud andmed, milliseid saelatte saab teatud mudelite puhul kasutada.

Leidub võimalusi ka selliste puude langetamiseks, mille tüve läbimõõt on suurem kui juhtplaadi pikkus. Sellega kaasneb siiski palju suurem tagasisiviskumise oht, sest juhtplaadi ohusektor võib sattuda kergesti puuga kontakti.

Halvasti langenud puu käsitsemine

"Kinnijäänud" puu vabastamine

Kinnijäänud puud langetada on väga ohtlik ning õnnetusoht on suur.

Ärge püüdke saagimisega alla saada teisele puule langenud puud.

Ärge töötage ohtlikus piirkonnas, kus on maapinnale langemata kinnijäänud puud.

Kindlaim moodus on kasutada vintsi.

- Traktorile monteeritud vints
- Kaasaskantav vints

Pinge all olevate puude ja okste lõikamine

Ettevalmistused: Hinda, kuhupoole puu või oks liigub, kui see pääseb pingest, ning kus asub selle loomulik murdumiskoht (s.t. see koht, kus puu või oks murdub, kui seda veel rohkem painutada).

Otsusta, missugune on kõige kindlam moodus pinget kõrvaldada ja kas saad seda teha ohutult. Rasketes olukordades on ainus ohutu moodus kettsaag ära panna ja kasutada vintsi.

Üldised näpunäited:

Seisa nii, et puu või oks ei tabaks sind, kui see pingelt vabaneb.

Tee sisselõikeid murdumispunkti või selle läheduses. Tee üks või mitu sisselõiget nii sügavalt, kui vaja pingelt vähendamiseks ja tüve või oksa murdamiseks murdumispunkti.

Ära löika kunagi otse läbi pingelt all olevat puud või oksa!

Kui teil tuleb saagida läbi puutüve või oksa, tehke kaks–kolm löiget 3 cm vahedega 3–5 cm sügavuseni.

Jätka saagimist, et oks või tüvi vabaneks pingest. Saagige puud või oksa teiselt poolt, kui pinge on vabanenud.

Tagasiviskumise vältimine



ETTEVAATUST! Tagasiviskumine võib olla väga ootamatu ja jõuline; operaatore poole võib lüüa kettsaag, juhtplaat või kett. Kui kett sel momendil jookseb, võivad tagajärjeks olla rasked või isegi eluohtlikud vigastused. Seetõttu on väga tähtis, et teaksid, millest tagasiviskumine tekib ja kuidas seda vältida ettevaatlikkuse ja õigete töövõtete ga.

Mis on tagasiviskumine?

Tagasiviskumine on kettsae kiire reaktsioon, mis tekib siis, kui juhtplaadi otsa ülemine veerand ehk ohusektor riivab mingit eset ja selle peale saag tagasi lööb. (43)

Tagasiviskumine on alati juhtplaadi sisih. Enamasti viskub kettsaag juhtplaadiga üles või tahapoole, kasutaja suunas. Mõnikord võib ette tulla tagasiviskumist ka teistes suundades, sõltuvalt sellest, kuidas paikneb kettsaag, kui selle ohusektor eset riivab.

Tagasiviskumine tekib ainult siis, kui juhtplaadi tagasiviskumise ohusektor riivab eset. (44)

Laasimine



ETTEVAATUST! Suurem osa õnnetustest tagasilöögiga juhtub puude laasimisel. Ärge kasutage saagimiseks tagasilöögisektorit. Olge ettevaatlik, ärge laske saelati otsa puutuda vastu tüve, oksa või muid esemeid. Eriti ettevaatlik tuleb olla okstega, mis on pinge all. Oks võib teie vastu paiskuda, kui see pingest vabaneb ja tekitada tõsise kahjustuse.

Veendu, et sa saad kindlalt seista ja takistamatult tööd teha! Töötades seisa vasakul pool tüve. Hoia kettsaagi keha lähedal, et sul oleks sae üle maksimaalne kontroll. Kui on võimalik, lase kettsael toetuda puutüvele.

Hoia alati kettsaagi enda suhtes teiselt pool tüve.

Palgi tükeldamine

Juhised on toodud alajaotuses Põhiline lõikamistehnika.

Üldised näpunäited

Seadme kasutaja võib teha ainult selliseid hooldamis- ja korrastustöid, mida on kirjeldatud käesolevas kasutusjuhendis. Keerukamate tööde tegemiseks tuleb pöörduda volitatud töökoja poole.

Karburaatori seadistamine

Sinu Jonseredi toode on konstrueeritud ja valmistatud selliselt, et ta eraldab vähe kahjulikke heitgaase.

Töö

- Karburaator juhib läbi gaasiregulaatori mootori pööreid. Karburaatoris seguneb kütus õhuga. Õhu ja kütuse segu koostist saab reguleerida. Et kasutada ära seadme maksimaalset võimsust, peab seadistus olema täpne.
- T-kruvi reguleerib gaasihoovastiku asendit tühikäigul. Keera T-kruvi päripäeva, et tühikäigul oleks kõrgem pöörete arv ja vastupäeva, et pöörete arv oleks väiksem.

Algeadistus ja sissetootamine

Katsetamisel tehases tehakse karburaatori algeadistus. Peenseadistust teeb vastava väljaõppe saanud inimene.

Soovit. tühikäigu pööretearv: Vt. ptk. Tehnilised andmed.

Tühikäigu T peenseadistus

Tühikäiku reguleeritakse kruvi T abil. Keera tühikäigukruvi T päripäeva, kuni kett hakkab liikuma. Keera pärast seda kruvi uuesti tagasi, kuni kett jääb seisma. Õigesti seadistatud tühikäigu pöörete puhul töötab mootor ühtlaselt igas asendis teatud pöörete piires, enne kui kett hakkab liikuma.



ETTEVAATUST! Kui ei ole võimalik reguleerida tühikäiku nii, et kett seisab, pöördu hoolduspunkti. Ära kasuta kettsaagi enne, kui see on õigesti seadistatud või parandatud.

Kettsae ohutusvarustuse kontroll, korrashoid ja hooldus

Pange tähele! Seadme hooldamine ja parandamine nõuab vastavat väljaõpet. Eriti oluline on see turvavarustuse osas. Kui teie seadme kontrollimisel selgub, et mõni allpool nimetatud asjadest pole korras, tuleb seade viia parandusse. Ülejäänud hooldus, mida käesolevas käsitsemisjuhendis pole kirjeldatud, tuleb jätta vastava väljaõppe saanud tehnikule (pöördu müüja poole).

Enne parandamist või hooldust lülitage mootor välja ja võtke lahti süütejuhe

Ketipidur ja turvakäepide

Kontrolli lintpiduri kulumist

Pühi ära saepuru, vaik ja saast, mis on kogunenud lintpidurile või sidurikettale. Saast ja kulumine võivad halvendada piduri toimimist. (45)

Kontrolli regulaarselt, et pidurilint oleks kõige õhemast kohast vähemalt 0,6 mm paks.

Kontrolli turvakäepidid

Kontrolli, et turvakäepidemel ei oleks pragusid ega muid nähtavaid vigastusi.

Liiguta turvakäepidid edasi-tagasi, kontrollimaks, et see liigub vabalt ning et see on tugevalt kinnitatud sidurikaitse külge. **(46)**

Kontrolli automaatpidurit

Hoidke väljalülitatud mootoriga kettsaagi kännu või muu kindlalt püsiva asja kohal. Lase lahti esimene käepide ja laske kettsaag oma raskuse mõjul kännu kohale rippu, pöörates tagumise käepideme ümber.

Kui juhtplaat puudutab kändu, peab pidur toimima. **(47)**

Kontrolli pidurilüliti

Käivita kettsaag ja aseta see kindlale pinnale. Kanna hoolt, et kett ei puudutaks maad või mingeid esemeid. Vt. juhiseid alajaotusest Käivitamine ja seiskamine.

Võta kettsaag kindlalt kätte, haarates sõrmedega ümber käepidemete.

Anna täisgaasi ja aktiveeri ketipidur, surudes käerandme vastu turvakäepidid. Ära lase esikäepidemest lahti. **Kett peab kohe peatuma.**

Gaasihoovastiku sulgur

- Kontrolli, kas gaasihoovastik sulgub tühikäigul, kui gaasihoovastiku sulgur läheb oma lähteasendisse.
- Vajuta gaasihoovastiku sulgurit ja kontrolli, kas see läheb, kui lased ta lahti, tagasi algasendisse.
- Kontrolli, kas gaasihoovastik ja gaasihoovastiku sulgur liiguvad vabalt ja kas tagasitõmbevedrud töötavad korralikult.
- Käivita kettsaag ja anna täisgaasi. Lase gaasihoovastik lahti ja kontrolli, kas kett peatub täielikult. Kui kett pöörleb sel ajal, kui gaasihoovastik on seatud tühikäigule, pead kontrollima karburaatori tühikäigu reguleerimist.

Ketipüüdja

Kontrolli, et ketipüüdja ei oleks vigastatud ning et see oleks kindlalt kinnitatud kettsae korpusele.

Parema käe kaitse

Kontrolli, et parema käe kaitisel ei oleks pragusid ega muid nähtavaid vigastusi.

Vibratsioonisummutussüsteem

Kontrolli korrapäraselt, et amortiseerivad elemendid ei oleks pragunenud ega deformeerunud.

Kanna hoolt, et amortiseerivad elemendid oleks kindlalt kinnitatud mootori ja käepidemete külge.

Seiskamislüliti

Käivita mootor ja kontrolli, kas mootor seiskub, kui lükkad lüliti seiskamisasendisse.

Summuti

Ära kasuta kunagi vigastatud summutiga seadet. Kontrolli korrapäraselt, kas summuti on kindlalt seadme külge kinnitatud.

Tähelepanu: Sädemepüüdja võrku (A) saab sellel masinal vahetada. **(48)** Asenda vigastatud võrk uuega. Musta võrguga seade kuumeneb üle, mis võib vigastada silindrit ja kolbi. Ära kunagi kasuta vigastatud summutiga seadet. **Ära kasuta kunagi summutit, millel puudub sädemepüüdja või mille sädemepüüdja on vigastatud.**

Amatöörkasutajatel ei ole vaja summutiti ja sädemepüüdja võrku vahetada.

Õhufilter

Puhasta õhufiltrit korrapäraselt tolmust ja mustusest, vältimaks:

- Häireid karburaatori töös
- Käivitamisraskusi
- Võimsuse vähenemist
- Mootori osade asjatut kulumist
- Liigset kütusekulu.
- Õhufilter (3) demonteeritakse pärast seda, kui silindrikate, kruvi (1) ja õhufiltri kate (2) on eemaldatud. Paigaldamisel jälgige, et õhufilter sulguks õhutihedalt vastu filtrihoidjat. Raputage või harjake filter puhtaks. **(49)**

Põhjalikumaks puhastamiseks pese õhufiltrit seebilahuses.

Pikemat aega kasutatud õhufiltrit ei saa enam täiesti puhtaks. Sellepärast tuleb see korrapäraselt uuega asendada.

Vigastatud õhufilter tuleb kohe välja vahetada.

Süüteküünlad

Süüteküünla töövõimet mõjutavad:

- Valesti seadistatud karburaator.
- Vale õlisegu kütuses (liiga palju või vale õli).
- Määrdund õhufilter.

Need tegurid tekitavad setteid süüteküünla elektroodidel ja võivad põhjustada tööhäireid ning käivitusraskusi.

Väikese võimsuse, raske käivitamise või ebaühtlase tühikäigu puhul kontrolli alati kõigepealt süüteküünalt, enne kui võtad ette teisi meetmeid. Puhasta must süüteküünal ja kontrolli samal ajal, kas elektroodide vahe on 0,5 mm. Vaheta süüteküünal pärast kuuajalist kasutamist või vajaduse korral varem. **(50)**

Pange tähele! Kasuta alati soovitatud süüteküünla tüüpi! Vale süüteküünal võib vigastada kolbi või silindrit. Kontrolli, et küünaldel oleks raadiohäirete kaitse.

HOOLDUS

Hoolduskeem

Alljärgnevas on toodud seadme hooldustööde nimekiri. Enamike tööde kohta on antud ka kirjeldus osas Hooldus.

Igapäevane hooldus (lga 5–10 h)	Iganädalane hooldus (lga 10–25 h)	Igakuine hooldus (lga 25–40 h)
Puhasta seade väljastpoolt.	Kontrolli starterit, starterinööri ja tagasitõmbevedru.	Kontrollige ketipiduri pidurdusrihma, kas see pole kulunud. Kui kõige kulunumas kohas on järel vaid 0,6 mm, vahetage rihtm.
Kontrolli, et gaasihoovastiku liikuvad osad toimiksid ohutuseeskirjade kohaselt. (Gaasihoovastikusulgur ja gaasihoovastik.)	Kontrolli, et vibratsioonisummutajad ei oleks vigastatud.	Kontrolli, kas siduri osad – sidurikorv, – vedru ja –ketas – pole kulunud.
Puhasta ketipidur ja kontrolli selle ohutuseeskirjade kohast toimimist. Kontrolli, et ketipüüdjä ei oleks vigastatud; asenda see vajaduse korral.	Viili maha karedus juhtplaadi külgedel.	Puhasta süüteküünal. Kontrolli, et elektroodide vahe oleks 0,5 mm.
Keera iga päev juhtplaati ümber, et kulumine oleks mõlemilt poolt ühtlane. Kontrolli, et määrdeauk ei oleks ummistunud. Puhasta ketisoon. Määri juhtplaadi otsatähikut, kui see on olemas.	Puhasta karburaator ja selle ümbrus.	Puhasta karburaatorit väljastpoolt.
Kontrolli, kas juhtplaat ja kett saavad küllaldaselt õli.	Puhasta õhufilter. Asenda vajaduse korral.	Kontrolli kütusefiltrit ja –voolikut. Vajadusel vaheta.
Kontrollige, kas saeketil pole nähtavaid pragusid neetides ja lülides, kas needid ja lülid pole liiga kulunud, kas saekett pole jäik. Vahetage, kui vaja.		Puhastage kütusepaak seest pärast selle tühjendamist.
Terita kett ja kontrolli selle pinget ja seisundit. Kontrolli, et keti veoratas ei oleks üleliigselt kulunud, asenda vajaduse korral.		Tühjendage õlipaak ja puhastage seest.
Puhastage käiviti õhusissepääsuava.		Kontrolli kõik juhtmed ja ühendused.
Kontrolli, et kruvid ja mutrid oleksid korralikult kinnitatud.		
Kontrolli, kas seiskamislüüti toimib.		
Kontrolli, et mootorist, kütusepaagist ja –voolikutest ei pihkuks kütust.		

Tehnilised andmed

	CS 2234	CS 2238
Mootor		
Silindri maht, cm ³	38	38
Käigu pikkus, mm	32	32
Pöörlemiskiirus tühikäigul, p/min	3000	3000
Võimsus, kW	1,4/9000	1,5/9000
Süütesüsteem		
Süüteküünlad	Champion RCJ 7Y	Champion RCJ 7Y
Elektroodide vahe, mm	0,5	0,5
Kütuse- /määrimissüsteem		
Bensiinipaagi maht, l	0,3	0,3
Õlipumba tootlikkus 8 500 p/min puhul, ml/min	7	7
Õlipaagi maht, liitrit	0,19	0,19
Õlipumba tüüp	Automaatne	Automaatne
Kaal		
Kettsae kaal juhtplaadita, ketita ning tühjade paakidega, kg	4,7	4,7
Müraemissioon (vt. märkust 1)		
Müra võimsustase, dBA	115	115
Müra võimsustase, garanteeritud L _{WA} dBA	118	118
Müratase (vt. märkust 2)		
Ekvivalentne müra rõhutase kasutaja kõrvas, dBA	100,6	100,6
Ekvivalentsed vibratsioonitasemed, a_{hveq} (vt 3. märkust).		
Esikäepide, m/s ²	3,7	3,7
Tagumine käepide, m/s ²	5,1	5,1
Kett/ juhtplaat		
Standardne juhtplaadi pikkus, tolli/cm	14/35, 16/40	14/35, 16/40
Soovitatud juhtplaadi pikkus, tolli/cm	14/35, 16/40	14/35, 16/40
Efektiivne löikepikkus, tollid/cm	13,5/34, 15,5/39	13,5/34, 15,5/39
Ketisamm, tolli/mm	3/8 / 9,52	3/8 / 9,52
Veolüli paksus, tolli/mm	0,050/1,3	0,050/1,3
Veoratta tüüp/hammaste arv	6	6
Ketikiirus maks. võimsusel, m/s	17,1	17,1

Märkus 1: ümbritsevasse keskkonda leviva müra võimsus (L_{WA}), mõõdetud vastavalt EÜ direktiivile 2000/14/EÜ.


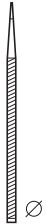
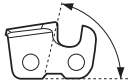
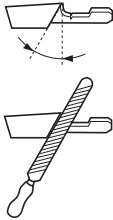

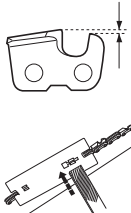
2. märkus: ISO 22868 järgi arvutatakse helirõhutase ekvivalenti eri helirõhutasemete kaalutud dünaamilise energia summana eri töötingimustel. Helirõhutaseme ekvivalendi statistilisel tüüpevil on standardset 1 dB (A) kõrvalekalle.

3. märkus: ISO 22867 järgi arvutatakse ekvivalentne vibratsioonitase vibratsioonitasemete kaalutud dünaamilise energia summana eri töötingimustel. Antud ekvivalentse vibratsioonitase statistiline tüüpevi (standardne kõrvalekalle) on 1 m/s².

Juhtplaadi ja keti kombinatsioonid

Need saagimisseadmed on ette nähtud Jonsered mudelitele CS 2234 ja CS 2238.

Juhtplaat				Saekett	
Pikkus, tollides	Ketisamm, tolli	Saetee laius, mm	Maksimaalne tähiku hammaste arv.	Tüüp	Pikkus, veolülid (tk)
14	3/8	1,3	7T	Jonsered H37	52
16	3/8		7T		56
18	3/8		7T		62

					
	inch/mm				inch/mm
H37	5/32/4,0	80°	30°	0°	0.025/0,65

EÜ kinnitus vastavusest

(Kehtib vaid Euroopas)

Käesolevaga kinnitab **Husqvarna**, SE-561 82 Huskvarna, Rootsi, tel. +46-36-146500, et **Jonsered kettsaad CS 2234 ja CS 2238** alates 2009. aasta seerianumbritest (aastaarv ja sellele järgnev seerianumber on märgitud selgelt mudeli etiketile) vastavad NÕUKOGU DIREKTIIVIS toodud nõudmistele:

- 2006/42/EÜ (17. mai 2006. a) „mehhanismide kohta“
- elektromagnetilise ühilduvuse direktiiv 15. detsember 2004, **2004/108/EMÜ**.
- müradirektiiv 8. maist 2000 **2000/14/EG**.

Teave müra kohta on toodud peatükis Tehnilised andmed. Järgitud on alljärgnevaid standardeid: **EN ISO 12100-2:2003, CISPR 12:2001, EN ISO 11681-1:2004**

Kontrollorgan: **0404, SMP Svensk Maskinprovning AB**, Fyrisborgsgatan 3, SE-754 50 Rootsis Uppsalas on teostanud EÜ tüübikontrolli vastavalt masinadirektiivi (2006/42/EÜ) artiklile 12, punkt 3b. EÜ-tüübikinnitus vastavalt lisale IX kannab numbrit: **0404/09/2048**.

SMP Svensk Maskinprovning AB, Fyrisborgsgatan 3, SE-754 50 Rootsis Uppsalas kinnitab lisaks eelnevale vastavust nõukogu 2000. aasta 8. mai müradirektiivi 2000/14/EÜ lisale V. Sertifikaatide numbrid on: **26/161/003** – CS 2234, **26/161/004** – CS 2238.

Tarnitud kettsaag on identne EÜ tüübikontrolli läbinud seadmega.

Huskvarna, 29. detsember 2009



Ronnie E. Goldman, Tehnika direktor. (Husqvarna AB volitatud esindaja ja tehnilise dokumentatsiooni eest vastutaja).

Godājamais klient!

Apsveicam jūs ar izvēli, iegādājoties Jonsered izstrādājumu!

Mēs esam pārliecināti, ka jūs ar gandarījumu novērtēsiet mūsu produktu kvalitāti un tehniskās iespējas. Jebkurš mūsu izstrādājumu pirkums nodrošina jums profesionālu palīdzību, kad nepieciešams remonts un apkope. Ja precī jūs nopērkat citur nekā mūsu specializētos veikalos, uzziniet, kur atrodas tuvākā specializētā servisa darbnīca.

Mēs ceram, ka Jūs būsiet apmierināts ar iegādāto mašīnu un tā Jums izcili kalpos daudzus gadus. Atcerieties, ka šī lietošanas pamācība ir svarīgs dokuments. Ievērojot tās saturu (lietošana, serviss, apkope utt.), Jūs būtiski pagarināsiet mašīnas mūžu un tās otrreizējo vērtību. Ja jūs pārdosiet to, nododiet lietošanas pamācību jaunajam īpašniekam.

Veiksmi, lietojot Jūsu Jonsered izstrādājumu!

Jonsered pastāvīgi strādā, lai pilveidotu savus izstrādājumus un tāpēc saglabā tiesības izdarīt izmaiņas, piem., izstrādājumu formā un izskatā bez iepriekšēja paziņojuma.

Simboli uz mašīnas:

BRĪDINĀJUMS! Motorzāģi var būt bīstami! Neuzmanīga vai nepareiza lietošana var izraisīt nopietnas traumas vai lietotāja un citu nāvi.



Lūdzu izlasiet šo lietošanas pamācību uzmanīgi un pārliecinaties, ka pirms mašīnas lietošanas esat visu sapratis.



Vienmēr lietojiet:

- Atzītu aizsargķiveri
- Atzītas aizsargaustiņas
- Aizsargbrilles vai vizieri



Šis ražojums atbilst spēkā esošajām CE direktīvām.



Troksņu emisijas līmenis atbilstoši Eiropas Kopienas direktīvai. Mašīnas emisijas tiek norādītas daļā Tehniskie dati un uzlīmē.



Kad strādājat ar ķēdes zāģi, jālieto abas rokas.



Nekad nedarbiniet ķēdes zāģi, turot to tikai ar vienu roku.



Uzmanieties, lai motorzāģa sliedes galiņš ne ar ko nesaskartos.



BRĪDINĀJUMS! Atsitiens rodas, kad sliedes gals nonāk kontaktā ar kādu priekšmetu un izraisa reakciju, kas sliedi pamet augšup un pret lietotāju. Tas var izraisīt nopietnu personas traumu.



Ķēdes bremze, aktivēta ķēdes bremze (kreisā), neaktivēta (labā).



Pārējie uz mašīnas norādītie simboli/norādes atbilst noteiktu valstu sertifikācijas prasībām.

Kas ir kas motorzāģim? (1)

1	Informācijas un brīdinājuma uzlīme
2	Cilindra vāks
3	Degvielas sūknis
4	Startera rokturis
5	Gaisa vārsta regulators/Startera droseles blokators
6	Stop slēdzis (Aizdedzes slēdzis.)
7	Aizmugurējais rokturis
8	Degvielas tvertne
9	Karburatoru regulējošas skrūves
10	Starteris
11	Ķēdes eļļas tvertne
12	Produkta un sērijas numura etiķete
13	Droseles blokators (Novērš droseles nejaušu iedarbināšanu.)
14	Priekšējais rokturis
15	Drošības svira
16	Trokšņa slāpētājs
17	Sliede
18	Sliedes gala zobrats
19	Zāģa ķēde
20	Mizas buferis
21	Ķēdes pārtvērējs
22	Ķēdes spriegotāja skrūve
23	Sajūga vāks
24	Aizmugures rokturis ar labās rokas aizsargu
25	Droseļvārsta regulators
26	Lietošanas pamācība
27	Kombinētā atslēga
28	Sliedes aizsargs

Saturs

IEVADS

Godājamais klient!	302
Simboli uz mašīnas:	302
Kas ir kas motorzāģim?	303

SATURS

Saturs	303
--------	-----

VISPĀRĒJAS DROŠĪBAS INSTRUKCIJAS

Pasākumi pirms jaunā motorzāģa lietošanas	304
Svarīgi	304
Rīkojieties saprātīgi	304
Individuālais drošības aprīkojums	305
Mašīnas drošības aprīkojums	305
Griešanas aprīkojums	306

MONTĀŽA

Sliedes un ķēdes montāža	309
--------------------------	-----

DEGVIELAS LIETOŠANA

Degviela	310
Degvielas uzpildīšana	310
Drošība darbā ar egvielu	310

IEDARBINĀŠANA UN APSTĀDINĀŠANA

Iedarbināšana un apstādināšana	311
--------------------------------	-----

DARBA TEHNIKA

Pirms katras lietošanas reizes:	312
Vispārējās darba instrukcijas	312
Izvairīšanās no rāvieniem	315

APKOPE

Vispārēji	316
Karburatora regulēšana	316
Motorzāģa drošības aprīkojuma pārbaude, apkalpe un serviss	316
Trokšņa slāpētājs	317
Gaisa filtrs	317
Aizdedzes svece	317
Apkopes grafiks	318

TEHNISKIE DATI

Tehniskie dati	319
Sliedes un ķēdes kombinācijas	320
Garantija par atbilstību EK standartiem	320

Pasākumi pirms jaunā motorzāģa lietošanas

- Uzmanīgi izlasiet lietošanas pamācību.
- **(1) – (50)** skatīt attēlu lappusē. 2–5.
- Pārbaudīt, vai ir pareizi uzstādīts un noregulēts griešanas aprikojums. Skatīt norādījumus zem rubrikas Montāža.
- Uzpildiet un iedarbiniet motorzāģi. Skatiet norādījumus zem rubrikas Rīkošanās ar degvielu un ledarbināšana un apstādinašana.
- Nelietot motorzāģi kamēr uz ķēdes nav pietiekoši daudz eļļas. Skatīt norādījumus zem rubrikas Griešanas aprikojuma ieeļļošana.
- Ilgstoša uzturēšanās troksnī var radīt nopietnas dzirdes traumas. Tāpēc vienmēr lietojiet dzirdes aizsargaustiņus.



BRĪDINĀJUMS! Nekādos apstākļos nedrīkst bez ražotāja atļaujas izmainīt šīs mašīnas sākuma konstrukciju. Lietojiet oriģinālās rezerves daļas. Neatļautas izmaiņas un/vai neatļauti piederumi var novest pie traumām vai beigties ar tehnikas izmantotāja un citu personu nāvi.



BRĪDINĀJUMS! Motorzāģis ir bīstams darba rīks, ja to lieto neuzmanīgi vai nepareizi, kas var radīt nopietnus, pat dzīvību apdraudošus ievainojumus. Tāpēc ļoti svarīgi ir izlasīt un saprast šo lietošanas pamācību.



BRĪDINĀJUMS! Trokšņu slāpētājs satur kancerogēnas vielas. Ja trokšņu slāpētājs ir bojāts, izvairieties no tieša kontakta ar šīm vielām.



BRĪDINĀJUMS! Ilgstoša motora izplūdes gāzu, ķēdes eļļas garainu un zāģa skaidu putekļu ieelpošana var apdraudēt veselību.



BRĪDINĀJUMS! Šis aparāts darbības laikā rada elektromagnētisko lauku. Pie nosacītiem apstākļiem šis lauks var traucēt aktīvā vai pasīvā medicīniskā implanta darbību. Lai mazinātu risku gūt nopietnus vai dzīvībai bīstamus ievainojumus, personām ar medicīnisko implantu iesakām pirms aparāta ekspluatācijas konsultēties ar savu ārstu un medicīniskā implanta ražotāju.

Svarīgi

SVARĪGI!

Mašīna ir radīta vienīgi koku zāģēšanai.

Jūs drīkstat lietot vienīgi tādas slīdes/ķēdes kombinācijas, kas norādītas rubrikā Tehniskie dati.

Nekad neizmantojiet mašīnu, ja esat noguris, ja esat lietojis alkoholu vai noteiktus medicīniskos preparātus, kas var ietekmēt redzi, novērtēšanas spēju un koordināciju.

Lietojiet individuālo drošības aprikojumu. Skatīt norādījumus zem rubrikas Individuālais drošības aprikojums.

Nekad nepārveidojiet šo mašīnu, ka tā vairs neatbilst oriģinālam un nelietojiet to, ja to ir pārveidojuši citi.

Nekad nelietojiet bojātu mašīnu. Ievērojiet šajā pamācībā norādītās apkopes, pārbaudes un servisa instrukcijas. Noteiktus labojumus un servisu var veikt tikai apmācīti speciālisti. Skatīt norādījumus zem rubrikas Apkope.

Nekad nelietojiet citus, kā tikai šajā pamācībā norādītus piederumus. Skatīt norādījumus zem rubrikas Griešanas aprikojums un Tehniskie dati.

UZMANĪBU! Vienmēr lietojiet aizsargbrilles vai sejas vizieri, lai samazinātu traumatismu no lidojošiem priekšmetiem. Motorzāģis ir spējīgs ar lielu spēku izmest tādas priekšmetus kā zāģus skaidas, mazus koka gabaliņus utt. Tas var izraisīt nopietnas traumas, sevišķi acīm.



BRĪDINĀJUMS! Motora darbināšana slēgtā vai slikti vēdināmā telpā var izraisīt nāves gadījumus, nosmokot vai saindējoties ar tvaņa gāzi.



BRĪDINĀJUMS! Atsietna risku vairo nepareizs griešanas aprikojums vai nepareiza slīdes/ķēdes kombinācija! Lietojiet vienīgi mūsu ieteiktās slīdes/ķēdes kombinācijas un ievērojiet asināšanas instrukcijas. Lasiet norādījumus zem rubrikas Tehniskie dati.

Rīkojieties saprātīgi (2)

Nav iespējams paredzēt visas iespējamās situācijas, kas var rasties, strādājot ar motorzāģi. Vienmēr esiet piesardzīgs un strādājiet ar veselot saprātu. Izvairieties no situācijām, kurās jūs nejutāties isti droši. Ja jūs pēc šo instrukciju izlasīšanas joprojām jūtaties nedrošs, pirms turpināt darbu, pakonsultējaties ar kādu ekspertu. Nešaunieties sazināties ar dileri vai mums, ja jums rodas ar motorzāģa darbību saistīti jautājumi. Mēs labprāt sniegsim jums padomus, kā vislabāk un drošāk izmantot jūsu motorzāģi. Iesakām arī apmeklēt motorzāģu lietošanas kursus. Jūsu dileris, mežkopju skola vai tuvākā bibliotēka var sniegt ziņas par pieejamajiem izglītības materiāliem un kursiem. Dizaina un tehnisko uzlabojumu darbs pastāvīgi turpinās un tas palielina jūsu darba drošību un efektivitāti. Regulāri apmeklējiet dileri, lai uzzinātu, kādu labumu jūs varat gūt no jaunievedumiem.

Individuālais drošības aprīkojums



BRĪDINĀJUMS! Lielākā nelaimes gadījumu daļa ar motorzāģi notiek, kad zāģa ķēde trāpa lietotājam. Jebkuros mašīnas lietošanas gadījumos ir jālieto valsts iestāžu atzīts individuālais aizsargaprīkojums. Individuālais aizsargaprīkojums nesamazina trauma risku, bet tikai samazina ievainojuma bīstamības pakāpi nelaimes gadījumā. Lūdziet pārdevēja palīdzību, izvēloties nepieciešamo aprīkojumu.

- Atzītu aizsargķiveri
- Aizsargaustiņas
- Aizsargbrilles vai vizieris
- Cimdi ar drošības aizsargu
- Bikses no īpaša auduma
- Zābaki ar drošības aizsargkārtu stulmeņos, tērauda purngalieņiem un neslidošām pazolēm
- Pirmās medicīniskās palīdzības aptieciņai ir vienmēr jābūt pa rokai.
- Ugunsdzēsamais aparāts un lāpsta

Iesakām pieguļošu apģērbu, kas neierobežo kustību brīvību.

SVARĪGI! Dzirkestļu avots var būt trokšņu slāpētājs, sliede, ķēde vai kas cits. Uguns dzēšanas rīkiem nepieciešamības gadījumā ir jābūt viegli pieejamiem. Tādā veidā jūs palīdzēsiet izvairīties no meža ugunsgrēkiem.

Mašīnas drošības aprīkojums

Šajā rubrikā tiek paskaidrotas mašīnas drošības detaļas un to funkcijas. Par kontroli un apkopi lasiet rubrikā "Motorzāģa drošības aprīkojuma pārbaudes, apkope un serviss". Lai atrastu, kurā vietā jūs atrodas šīs detaļas jūsu mašīnā, lasiet norādījumus rubrikā "Kas ir kas"?

Mašīnas mūža garums var saīsināties un var pieaugt nelaimes gadījumu risks, ja pareizi netiek veikta mašīnas apkope un, ja servisu un/vai remontu neveic profesionāli. Ja jums ir nepieciešama papildu informācija, sazinieties ar tuvāko servisa darbnīcu.



BRĪDINĀJUMS! Nekad nelietojiet mašīnu ar bojātu drošības aprīkojumu. Drošības aprīkojums ir jāpārbauda un jāuztur kārtībā. Vairāk lasiet rubrikā "Motorzāģa drošības aprīkojuma pārbaudes, apkope un serviss". Ja jūsu mašīna neatbilst drošības prasībām, griezieties servisa darbnīcā, lai novērstu bojājumus.

Ķēdes bremze ar aizsargu pret rāvieniem

Jūsu motorzāģis ir aprīkots ar ķēdes bremzi, kas ir domāta tam, lai atsītienu gadījumā apstādinātu ķēdi. Ķēdes bremze samazina nelaimes gadījumu risku, taču tikai jūs kā lietotājs varat novērst tos.

Esiet uzmanīgs darbā un pārliecinaties, ka slīdes rāvienu zonā nekad nav kāds priekšmets.

- Ķēdes bremzi (A) aktivizē vai nu ar roku (kreiso) vai ar inerces funkciju. (3)

- Iedarbināšana notiek, nospiežot rāvienu ierobežojošo sviru (B) uz priekšu. (3)
- Šī kustība iedarbina mehānismu ar atsperi, kas savēl bremzē stipu (C) ap motorā ķēdes mehānisma sistēmu (D) (sajūga cilindrs). (4)
- Rāvienu drošības sviras funkcija nav tikai ieslēgt ķēdes bremzi. Otrs svarīgs drošības aspekts ir, ka tā pasargā jūsu roku no pieskaršanās ķēdei gadījumā, ja jums no rokas izslīd priekšējais rokturis.
- Kad motorzāģis tiek iedarbināts, ķēdes bremzei ir jābūt ieslēgtai, lai novērstu ķēdes rotāšanu.
- Iedarbināšanas brīdī kā arī īsākos pārtraukumos ķēdes bremzi izmantojiet kā "stāvbremzi" – tas novērsīs nelaimes gadījumus, kad lietotājs vai apkārtējie var pieskarties kustīgai ķēdei.
- Lai bremzi atvienotu, pavelciet rāvienu drošības sviru uz aizmuguri, uz priekšējā roktura pusi.
- Rāvienu var būt pēkšņi un ļoti spēcīgi. Vairums rāvienu ir sīki un ne vienmēr iedarbina ķēdes bremzi. Ja tie gadās, turiet zāģi stingri un nelaidiet vajā.
- Veids, kā ķēdes bremze iedarbinās – ar roku vai ar inerces funkciju, ir atkarīgs no rāvienu spēka un motorzāģa pozīcijas attiecībā pret priekšmetu, kas nonāk kontaktā ar slīdi rāvienu zonā.

Smagākos atsītienu gadījumos un, kad slīdes atsītienu riska sektors ir maksimāli tālu no lietotāja, ķēdes bremze ir veidota tā, lai aktivizētos ar ķēdes nevarmes pretsvaru (inerci) atsītienu virzienā.

Ja rāvienu ir mazāk spēcīgi vai, ja slīdes rāvienu zona ir lietotājam tuvāk, ķēdes bremze iedarbina manuāli – ar kreisās rokas palīdzību.

- Gāzoties kreisā roka atrodas tādā stāvoklī, kas nedod iespēju aktivizēt ķēdes bremzi bez režīmā. Šā veida satvērienu gadījumos, kad kreisā roka ir novietota tā, ka tā nevar ietekmēt atsītienu aizsarga kustību, ķēdes bremzi var aktivizēt vienīgi ar inerces funkcijas palīdzību.

Vai es vienmēr ar roku aktivizēšu ķēdes bremzi atsītienu gadījumos?

Nē. Lai pārvirzītu atsītienu aizsargu uz priekšu, ir jāpieliek zināms spēks. Ja jūsu roka tikai aizķer un pieskaras atsītienu aizsargam, tas var būt nepietiekami, lai iedarbinātu ķēdes bremzi. Strādājot ir stingri jāsatver motorzāģa rokturi. Ja jūs tā darat un netiek atsītiens, jūs droši vien nekad nepalaidīsiet vajā roku no priekšējā roktura un neaktivizēsiet ķēdes bremzi vai arī tā aktivizēsies, kad zāģis jau būs paspējis kādu gabalu novirzīties. Tādā situācijā var notikt tā, ka ķēdes bremze nespēj apstādināt ķēdi pirms tā trāpa jums.

Reizēm arī dažās darba pozīzēs jūsu roka nevar sasniegt atsītienu aizsargu, lai aktivizētu ķēdes bremzi, piemēram, kad zāģis ir koku gāšanas stāvoklī.

Vai jebkurā atsītienu gadījumā iedarbosies ķēdes bremze?

Nē. Vispirms bremzei ir jānostrādā. Bremzi var viegli pārbaudīt, sīkāk par to lasiet rubrikā "Motorzāģa drošības aprīkojuma pārbaude, apkope un serviss". Mēs iesakām to darīt pirms katras darba reizes. Otrkārt, atsītienu jābūt pietiekoši spēcīgam, lai tas aktivizētu ķēdes bremzi. Ja ķēdes bremze būtu pārāk jutīga, tad tā aktivizētos pastāvīgi, kas traucētu strādāt.

Vai ķēdes bremze mani vienmēr pasargās no traumām atsitiena gadījumos?

Nē. Vispirms jūsu bremzei ir jādarbojas, lai tā sniegtu paredzēto aizsardzību. Otrkārt, lai ķēdi apstādinātu atsitiena gadījumos, tā ir jāaktivizē tā, kā tas aprakstīts augstāk. Treškārt, ķēdes bremzi var aktivizēt, bet ja sliede ir jums pārāk tuvu, var notikt tā, ka bremze nespēj iedarboties un apstādināt ķēdi pirms tā trāpa jums.

Vienīgi jūs pats un pareiza darba tehnika var novērst atsitienus un to riskus.

Droseles blokators

Akseleratora regulatora drošinātājs ir konstruēts, lai novērstu nejaūšu akseleratora aktivizēšanu. Kad drošinātājs (A) tiek iespiests rokturī (= satverot rokturi) ieslēdzas akselerators (B). Kad satvēriens tiek atlaists, gan akselerators, gan akseleratora drošinātājs nostājas savos sākuma stāvokļos. Šis stāvoklis nozīmē, ka akselerators brīvgaitā automātiski nobloķējas. (5)

Ķēdes pārtvērējs

Ķēdes pārtvērējs ir konstruēts, lai pārtvertu ķēdi gadījumā, ja tā pārtrūkst vai nolēc no sliedes. Tam nevajadzētu notikt, ja ķēde ir pareizi nostiepta (skatīt norādījumus zem rubrikas Montāža) un, ja sliede un ķēde tiek pareizi aprūpēta (skatīt norādījumus zem rubrikas VISPĀRĒJAS darba instrukcijas).

Labās rokas aizsargs

Labās rokas aizsargs ne tikai sargā jūsu roku, ja ķēde nolēc vai notrūkst, bet arī kalpo, lai koku zari netraucētu aptvert aizmugures rokturi.

Vibrāciju samazināšanas sistēma

Jūsu mašina ir aprīkota ar vibrāciju slāpēšanas sistēmu, kas ir konstruēta, lai mazinātu vibrācijas un padarītu darbu maksimāli vieglāku.

Vibrāciju slāpēšanas sistēma samazina vibrāciju pārvadīšanu starp motora bloku/griešanas aprīkojumu un mašinas rokturiem. Motorzāģa korpusi, ieskaitot griešanas aprīkojumu, ir iekārtoti rokturu blokā ar tā saucamo vibrāciju reducēšanas elementa palīdzību.

Cietkoku (galvenokārt lapu koku) zāģēšana rada vairāk vibrāciju nekā mīkstkoku (galvenokārt skuju koku) zāģēšana. Zāģēšana ar neasu vai nepiemērotu ķēdi (nepareizā tipa vai nepareizi asinātu) vibrēšanu palielinās.



BRĪDINĀJUMS! Pārāk ilga vibrācijas iedarbība personām ar asinsrites traucējumiem var izraisīt asinsvadu vai nervu slimības. Ja jūs manāt simptomus, kas būtu radušies no vibrācijas ietekmes, griezieties pie ārsta. Šādu simptomu piemēri ir tirpšana, nejutīgums, kutēšana, dūrieni, sāpes, nespēks, ādas krāsas un virsmas maiņa. Šie simptomi parasti parādās pirkstos, rokās vai locītavās. Aukstos laika apstākļos šie simptomi var progresēt.

Stop slēdzis

Lietojiet stop slēdzi, lai izslēgtu motoru.

Trokšņa slāpētājs

Trokšņu slāpētājs ir konstruēts tā, lai tas mazinātu skaņas līmeni un novadītu motora atgāzes no iekārtas lietotāja.



BRĪDINĀJUMS! Motora izplūdes gāzes ir karstas un var saturēt dzirksteles, kas var izraisīt ugunsgrēku. Nekad nedarbiniet mašīnu telpās vai viegli uzliesmojošu materiālu tuvumā.

Siltā un sausā klimatā palielinās ugunsgrēka risks. Parasti šādos reģionos likums nosaka, ka trokšņu slāpētāji ir jāaprīko ar apstiprinātu dzirksteļu uztveršanas sietu (A). (6)

UZMANĪBU! Trokšņu slāpētājs ir karsts gan darba laikā gan pēc motora izslēgšanas. Tas attiecas arī uz darbību brīvgaitā. Uzmanieties no aizdegšanās briesmām, sevišķi strādājot tuvu ugunsnedrošām vielām un/vai gāzēm.



BRĪDINĀJUMS! Nekad neizmantojiet motorzāģi bez trokšņu slāpētāja vai, ja tas ir bojāts. Bojāts trokšņu slāpētājs būtiski palielina trokšņu līmeni un ugunsgrēka risku. Rūpējieties, lai būtu pieejami ugunsdzēsšanas līdzekļi. Nekad nelietojiet motorzāģi bez vai ar bojātu dzirksteļu uztvērēju, ja tas ir obligāts jūsu darba teritorijā.

Griešanas aprīkojums

Šajā nodaļā tiek apskatīta griešanas aprīkojuma pareiza ekspluatācija un apkope un korekta izvēle:

- Samazina mašīnas noslīdēšanas un pārraušanas iespēju.
- Samazina ķēdes roslīdēšanas un pārraušanas iespēju.
- Ar optimālu asumu.
- Pagarina griešanas aprīkojuma mūžu.
- Novērš vibrācijas līmeņa palielināšanos.

Pamatnoteikumi

- **Lietojiet tikai mūsu ieteikto griešanas aprīkojumu!** Lasiet norādījumus zem rubrikas Tehniskie dati.
- **Rūpējaties, lai ķēdes griezējzobi ir asi! Sekojiet mūsu pamācībai un lietojiet ieteikto leikālu.** Bojāta vai nepareizi asināta ķēde palielina nelaimes gadījumu risku.
- **Saglabājiet pareizu ierobežotājjcilni! Ievērojiet mūsu instrukcijas un izmantojiet ieteicamo ierobežotāja asināšanas šablonu.** Pārāk liels ierobežotājjcilnis palielina atsitiena risku.
- **Turiet ķēdi pareizi nostieptu!** Ja ķēde ir vaļīga, tas palielina risku, ka tā nolēks, un arī sekmē sliedes, ķēdes, un dzinējzobrata nodilšanu.
- **Rūpējaties, lai griešanas aprīkojums ir labi ieeļļots un pareizi kopts!** Slikti ieeļļota ķēde var biežāk plīst un veicina sliedes, ķēdes un dzinējzobrata nodilšanu.

Atsitienu samazinošs griešanas aprikojums.



BRĪDINĀJUMS! Atsitienu risku vairo nepareizs griešanas aprikojums vai nepareiza sliedes/ķēdes kombinācija! Lietojiet vienīgi mūsu ieteiktās sliedes/ķēdes kombinācijas un ievērojiet asināšanas instrukcijas. Lasiet norādījumus zem rubrikas Tehniskie dati.

Vienīgais veids kā izvairīties no rāvieniem ir neļaut sliedes rāvienu zonā nokļūt kādam priekšmetam.

Lietojot griežamo tehniku ar "iebūvētu" aizsardzību pret rāvieniem, kā arī turot ķēdi asu un labi apkoptu, jūs mazināsiet rāvienu sekas.

Sliede

Jo mazāks gala rādiuss, jo mazāks atsitienu risks.

Zāga ķēde

Zāga ķēde sastāv no noteikta skaita posmiem, kas var būt gan standarta tipa, gan rāvienu samazinoša tipa.

SVARĪGI! Neviena ķēde nesamazina atsitienu risku.



BRĪDINĀJUMS! Katrs kontakts ar rotējošu ķēdi var izraisīt ļoti smagas traumas.

Daži termini, kas raksturo sliedi un ķēdi

Lai saglabātu visas griešanas aprikojuma drošības detaļas, jums ir jānomaina nodilušās un bojātās sliedes/ķēdes kombinācijas ar sliedi un ķēdi, ko iesaka Jonsereid. Par to mūsu ieteiktajām sliedes un ķēdes kombinācijām lasiet rubrikā "Tehniskie dati".

Sliede

- Garums (collās/cm)
- Sliedes gala zobrata zobu skaits (T).
- Ķēdes iedaļa (=pitch) (collās). Atstarpei starp ķēdes dzinējposmiem jāatbilst atstarpei starp zobiem uz sliedes gala zobrata un dzinējzobrata.
- Dzinējposmu skaits (gab.). Dzinējposmu skaitu nosaka sliedes garums, ķēdes iedaļa, un sliedes gala zobrata zobu skaits.
- Sliedes rievas platums (collās/mm). Sliedes rievas platumam jāatbilst ķēdes dzinējposmu platumam.
- Zāga ķēdes ieeļļošanas caurums un ķēdes nostipšanas tapas caurums. Slidei jābūt piemērotai motorzāga konstrukcijai.

Zāga ķēde

- Zāga ķēdes iedaļa (=pitch) (collās)
- Dzinējposmu platums (mm/collās)
- Dzinējposmu skaits (gab.)

Ķēdes ierobežotā jūzicilņa asināšana un regulēšana



BRĪDINĀJUMS! Lai aizsargātos no traumām, vienmēr, strādājot ar ķēdi, lietojiet cimdus.

Vispārēja informācija par griezējzobu asināšanu

- Nekad nezāgējiet ar trulu ķēdi. Ja griešanas aprikojums jums ir jāspiež pret koku un darba rezultātā rodas ļoti sīkas zāga skaidas, tas nozīmē, ka ķēde ir neasa. Ļoti nodilusi ķēde nemaz nerada zāga skaidas. Vienīgais rezultāts ir koka pulveris.
- Labi uzasināta ķēde pati iegriežas kokā un rada lielas un garas skaidas.
- Ķēdes zāgējošo daļu sauc par griezējposmu un tas sastāv no zāga zoba (A) un ierobežotā jūzicilņa (B). Attālums starp šiem diviem elementiem nosaka griezienu dziļumu. (7)

Asinot zāga zobus ir jāņem vērā četri parametri.

- 1 Vīlēšanas leņķis
- 2 Griešanas leņķis
- 3 Vīles stāvoklis
- 4 Apaļās vīles diametrs

Bez palīgīdzekļiem ķēdes zobus ir ļoti grūti uzasināt. Tāpēc mēs iesakām jums lietot asināšanas šablonu. Tas nodrošina to, ka uzasināta ķēde nodrošinās optimālu atsitienu samazināšanu un griešanas jauku.

Lai pārliecinātos, kādi dati attiecas uz jūsu motorzāga ķēdi, skatiet norādījumus rubrikā "Tehniskie dati".



BRĪDINĀJUMS! Atkāpšanās no asināšanas instrukcijām būtiski palielinās ķēdes atsitienu tendenci.

Griezējzobu asināšana

Lai asinātu zāga zobus nepieciešama apaļā vīle un šablons. Lai pārliecinātos kāds vīles diametrs un šablons ir ieteicami jūsu motorzāgim, apskatieties zem rubrikas Tehniskie dati.

- Pārbaudiet, vai ķēde ir pareizi nostiepta. Ir grūti pareizi noasināt vaļīgu ķēdi.
- Vienmēr vilējiet griezējzobus no to iekšpusēs uz ārpusi, maziniet spiedienu, kad velkat vīli atpakaļ. Vispirms novilējiet visus zobus vienā pusē, tad apgrieziet motorzāgi otrādi, un vilējiet zobu otro pusi.
- Novilējiet visus zobus vienādā garumā. Kad griezējzobi ir vairs tikai 4 mm (0,16") gari, ķēde uzskatāma par nodilušu un ir jānomaina. (8)

Vispārēja informācija par griešanas dziļumu

- Asinot zāga zobu, samazinās ierobežotā jūzicilnis (=griešanas dziļums). Lai saglabātu maksimālu asumu, ierobežotā jūzicilnis ir jāsamazina līdz ieteicamam līmenim. Lai pārliecinātos kāds griešanas dziļums ir nepieciešams jūsu motorzāgim, skatiet informāciju rubrikā "Tehniskie dati".



BRĪDINĀJUMS! Pārāk liels griešanas dziļums palielina ķēdes atsitienu iespēju!

VISPĀRĒJAS DROŠĪBAS INSTRUKCIJAS

Griešanas dziļuma regulēšana

- Veicot griešanas dziļuma regulēšanu, zāga zobiem ir jābūt tikko uzasinātiem. Mēs iesakām regulēt griešanas dziļumu pēc katras trešās ķēdes asināšanas reizes. **IEVĒROJĒT!** Šī rekomendācija paredz, ka zāga zobi nenormāli novilēti.
- Griešanas dziļuma ierobežotāja regulēšanai nepieciešama plakanvīle un ierobežotāja šablons. Mēs iesakām lietot mūsu šablonu, lai jūs iegūtu pareizu griešanas dziļuma ierobežotāja izmēru un tā pareizu leņķi.
- Uzlieciet asināšanas šablonu uz ķēdes. Informācija par asināšanas šablona lietošanu ir atrodama uz iepakojuma. Lai novilētu ierobežotājciļņa lieko daļu, izmantojiet plakanvīli. Ierobežotājciļnis ir pareizi novilēts, kad, velkot vīli pār šablonu, nejūt nekādu pretestību.

Ķēdes nostiprināšana



BRĪDINĀJUMS! Vajīga ķēde var nolekt no sliedes, izraisot nopietnus, pat dzīvībai bīstamus ievainojumus.



BRĪDINĀJUMS! Vienmēr lietojiet atzītus aizsargcimdus. Arī nekustīga ķēde var būt par iemeslu nopietnām lietotāja vai citu personu traumām, ja tie nonāk ar to kontaktā.

Jo ilgāk lietojat ķēdi, jo vairāk tā izstiepjas. Tādēļ ir svarīgi regulāri noregulēt ķēdi, lai novērstu vajīgumu.

Pārbaudiet ķēdes spriedzi katru reizi, kad tiek uzpildīta degviela. **UZMANĪBU!** Jaunam ķēdes zāgim ir iestrādes laiks, kad ķēdes spriedze jāpārbauda biežāk.

Nostiepiet ķēdi cik stingri vien iespējams, bet ne tā, ka to nevar brīvi kustināt ar roku. **(9)**

- Atskrūvējiet sliedes uzgriežņus, kas nostiprina sajūga vāku un ķēdes bremzi. Lietojiet kombinēto atslēgu. Tad piegrieziet sliedes uzgriežņus ar roku, cik stingri vien varat. **(10)**

- Paceliet sliedes galu un nostiepiet ķēdi, griežot ķēdes nostiprināšanas skrūvi ar kombinēto atslēgu. Nostiepiet ķēdi, kamēr tā karājas vajīgi sliedes apakšpusē. **(11)**

- Lietojiet kombinēto atslēgu, lai piegrieztu sliedes uzgriežņus, vienlaikus paceļot augšup sliedes galu. Pārbaudiet, ka varat brīvi griezt ķēdi ar rokām, un, ka tā vairs nav vajīga sliedes apakšpusē. **(12)**

Griešanas aprīkojuma eļļošana



BRĪDINĀJUMS! Nepareizi eļļota ķēde var pārtrūkt, izraisot nopietnus, pat dzīvībai bīstamus ievainojumus.

Ķēdes eļļa

Ķēdes eļļai ir jāpiesaistās pie ķēdes un jā saglabā viskozitāte, neskatoties uz to, vai ir karsta vasara vai auksta ziema.

Kā motorzāgu ražotāji, esam izstrādājuši ķēdes eļļu ar optimālām īpašībām, kas, pateicoties tam, ka tā ražota no augu eļļas, bioloģiski sadalās. Lai pagarinātu ķēdes darba mūžu un saudzētu apkārtējo vidi, mēs ieteicam lietot mūsu eļļu. Ja mūsu eļļa nav pieejama, iesakām lietot parastu ķēdes eļļu.

Nekad nelietojiet vecu eļļu! Tas ir kaitīgi gan jums, gan mašīnai, gan videi.

SVARĪGI! Pirms ilgtermiņa uzglabāšanas neņemiet un notīriet sliedi un ķēdi, ja eļļošana tiek izmantota augu eļļā. Citādi pastāv risks, ka ķēdes eļļa oksidējas, bet tas veicina ķēdes stīvmūru un sliedes gala nestabilitāti.

Ķēdes eļļas iepildīšana

- Visiem mūsu motorzāgiem ir automātiskas ķēdes eļļošanas sistēmas. Dažiem modeļiem eļļas padevi ir iespējams regulēt.
- Ķēdes eļļas tvertne un degvielas tvertne ir izveidotas tā, lai degviela beigtos pirms beidzas ķēdes eļļa.

Taču šī drošības funkcija paredz, ka ir jāizmanto pareiza ķēdes eļļa (pārāk liesa un šķidra eļļa beidzas ātrāk nekā degviela), ka jāseko norādījumiem par karburatora regulēšanu (pārāk liess degmaisījums izraisīs to, degviela pietiks ilgāk nekā ķēdes eļļa), kā arī jāseko mūsu rekomendācijām par griešanas aprīkojumu (pārāk gara sliede patērē vairāk eļļas).

Ķēdes eļļošanas kontrole

- Pārbaudiet ķēdes eļļošana katru reizi, kad uzpildat degvielu. Skatīt norādījumus rubrikā "Sliedes gala ieeļļošana".
- Vērsiet sliedes priekšgalu pret kādu gaišu priekšmetu apmēram 20 cm (8 collu) attālumā. Darbinot vienu minūti ar 3/4 akcelerāciju, jums vajadzētu pamanīt eļļas svītru uz gaišās virsmas.

Ja ķēdes eļļošana nedarbojas:

- Pārbaudiet, vai sliedes eļļas rievā nav aizsprostota. Ja nepieciešams, iztīriet.
- Pārbaudiet, vai rievā sliedes malā ir tīra. Ja nepieciešams, iztīriet.
- Pārbaudiet, vai sliedes gala zobrats brīvi griežas un, ka eļļošanas caurums nav aizsērējis. Ja nepieciešams, iztīriet un ieeļļojiet.

Ja, veicot šos pasākumus, ķēdes eļļošana joprojām nedarbojas, sazinieties ar servisa darbinīku.

Ķēdes dzinēja zobrats

Sajūga cilindrs ir aprīkots ar pieša skriemeli (ķēdes skriemelis, kas piestiprināts pie ass).

Regulāri pārbaudiet dzinējzobrata nodilšanas pakāpi. Normainiet zobratu, ja tas ir pārmerīgi nodilis. Dzinējzobratu jānomaina katru reizi, mainot ķēdi.

Griešanas aprīkojuma nodilšanas pārbaude

Apskatiet zāga ķēdi kartu dienu un pārlicinieties:

- Vai ķēdes posmos un kniedēs nav redzamas plaisas.
- Vai ķēde nav stīva.
- Vai kniedes un ķēdes posmi nav stipri nodiluši.

Iznīciniet ķēdi, ja tā uzrāda kādu no tālāk minētajām pazīmēm.

Mēs iesakām jums salīdzināt pārbaudāmo ķēdi ar jaunu ķēdi, lai pārbaudītu vecās nodiluma pakāpi.

Kad griezējzobi ir nodiluši līdz 4 mm, ķēde ir jānomaina.

Sliede

Regulāri pārbaudiet:

- Vai uz sliedes malas nav radušās metāla skabargas. Ja nepieciešams, novīlējiet. **(13A)**
- Vai sliedes rieta nav stipri nodilusi. Ja nepieciešams, nomainiet sliedi. **(13B)**
- Vai sliedes gali nav nevienādi nodiluši vai stipri nodiluši. Ja vienā sliedes gala pusē radies iedobums, to ir radījis darbs ar vaļiņu ķēdi.
- Lai pagarinātu sliedes darba mūžu, katru dienu apgrieziet to otrādi.



BRĪDINĀJUMS! Lielākā nelaiemes gadījumu daļa ar motorzāģi notiek, kad zāģa ķēde tūpa lietotājam.

Lietojiet individuālo drošības aprīkojumu. Skatīt norādījumus zem rubrikas Individuālais drošības aprīkojums.

Izvairieties darīt darbus, kurus veikšanai sevi neuzskatiet par kvalificētu. Skatīt norādījumus zem rubrikām Individuālais drošības aprīkojums, Pasākumi rāvienu novēršanai, Griešanas aprīkojums un Vispārējās darba instrukcijas.

Izvairieties no situācijām, kad var rasties rāvienu risks. Skatīt norādījumus zem rubrikas Mašīnas drošības aprīkojums.

Izmantojiet tikai ieteikto griešanas aprīkojumu, to pārbaudot. Skatīt norādījumus zem rubrikas Vispārējās darba instrukcijas.

Pārbaudiet motorzāģa drošības aprīkojuma darbību. Skatīt norādījumus zem rubrikām Vispārējās darba instrukcijas un Vispārējās drošības instrukcijas.

Sliedes un ķēdes montāža



BRĪDINĀJUMS! Pārbaude un/vai apkope ir jāveic ar izslēgtu motoru. Stop kontakts automātiski atgriežas iedarbināšanas pozīcijā. Lai izvairītos no nejaušas iedarbināšanas, aizdedzes sveces uzgalis vienmēr ir jāatvieno no aizdedzes sveces jebkurā montāžas, kontroles un/vai apkopes gadījumā.

Lai izvairītos no traumām, vienmēr, strādājot ar ķēdi, lietojiet cimdus.

Pārvietojot ķēdes bremzes rāvienu aizsargu priekšējā roktura virzienā, pārbaudiet vai ķēdes bremzes ir atlaistas.

Atskrūvējiet sliedes nostiprinājuma uzgriežņus un noņemiet sajūga vāku (ķēdes bremzi). Noņemiet pārnesuma grezenu. (A) **(15)**

Uzlieciet sliedi uz piestiprinājuma skrūvēm. Līdz galam atvīriet sliedi uz aizmuguri. Uzlieciet ķēdi uz dzenošā zobrata un ievietojiet sliedes rieta. Sāciet ar sliedes augšpusi. **(17)**

Pārļiecinieties, vai ķēdes griezējzobi sliedes augšmalā ir vērsti uz priekšu.

Uzstādiēt sajūga pārsegu (ķēdes bremzi) un ievietojiet ķēdes regulētāja tapu stieņa atverē. Pārbaudiet, vai ķēdes piedziņas savienojumi ir pareizi uzstādīti uz ķēdes rata un vai ķēde ir pareizi ievietota stieņa gropē. Pievelciet manuāli pievelkamos stieņa uzgriežņus. **(17)**

Ar kombinētas atslēgas palīdzību nospriegojiet ķēdi un grieziet ķēdes spriegotāja uzgriezni pulkstenrādītāja kustības virzienā. Ķēde jānosprigo tā, lai tā cieši piekļaujas sliedes apakšmalai. Lasiet norādījumus rubrikā "Zāģa ķēdes spriegošana". **(18)**

Turot sliedes galu uz augšu nostipriniet ķēdi, kas ir pareizi nospriegota, ja sliedes apakšmalā tā vairs nav vaļīga, bet to var viegli pagriezt ar roku. Turot sliedes galu uz augšu, ar kombinēto atslēgu, piegrieziet sliedes nostiprinājuma uzgriežņus. **(19)**

Uzliekot jaunu ķēdi, līdz tās piestrādei, regulāri jāpārbauda ķēdes nospriegojums. Ķēdes nospriegojumu pārbaudiet regulāri. Pareizi nospriegota ķēde labi zāģē un tai ir garš darba mūžs. **(19)**

Mizas bufera montāža

Lai piemontētu mizas buferi, griezieties servisa darbnīcā.

Degviela

Ievērojiet! Mašīna ir aprīkota ar divtaktu motoru un tā darbināšanai vienmēr ir jāizmanto benzīna un divtaktu motora eļļas maisījums. Lai nodrošinātu pareizu maisījumu, ļoti svarīgi ir izmērīt izmantojamās eļļas daudzumu. Izgatavojot nelielus degvielas daudzumu maisījuma daudzumus, svarīgi atcerēties, ka pat mazas eļļas daudzuma kļūmes, var būtiski ietekmēt maisījumu.



BRĪDINĀJUMS! Ar degvielu strādājiet labi vēdināmā vietā.

Benzīns

- Lietojiet labas kvalitātes benzīnu ar vai bez svina piemaisījumiem.
- Ieteicamais zemākais oktāna skaitlis ir 90 (RON). Ja tiek izmantots benzīns ar zemāku oktāna skaitli nekā 90, var sabojāties motors. Palielinās motora temperatūra un pieauguļņņu slodze, kas izraisa smagu motora sabojāšanos.
- Ja jūs ilgstoši strādājat ar augstiem apgriezieniem (piem. atzarējot), ir ieteicams lietot degvielu ar augstāku oktānskaitli.

Darbināšana sākumā

Pirmās desmit stundas ir jāizvairās strādāt ar pārāk lielu apgriezīnu skaitu.

Divtaktu eļļa

- Lai iegūtu vislabāko rezultātu un spējas, izmantojiet JONSERED divtaktu motoreļļu, kas ir speciāli radīta mūsu divtaktu motoriem ar gaisa dzesēšanas sistēmas.
- Nekad neizmantojiet divtaktu eļļu, kas paredzēta ūdens dzesēšanas sistēmas motoriem, tā saucamo outboardoil (sauc par TCW).
- Nelietojiet eļļu, kas paredzēta četraktu motoriem.
- Zema eļļas kvalitāte vai pārāk treksns eļļas/degvielas maisījums vai sabojāt katalizatoru un samazināt tā darba mūžu.

Maisījuma proporcijas

1:50 (2%) ar JONSERED divtaktu eļļu.

1:33 (3%) ar citām eļļām, kas izstrādātas ar gaisu dzesējamiem divtaktu motoriem, klasificētiem priekš JASO FB/ISO EGB.

Benzīns, litros	Divtaktu eļļa, litros	
	2% (1:50)	3% (1:33)
5	0,10	0,15
10	0,20	0,30
15	0,30	0,45
20	0,40	0,60

Degvielas sajaukšana

- Maisiet benzīnu un eļļu tīrā traukā, kas ir paredzēts degvielām.
- ļelejiet pusi vajadzīgā benzīna daudzuma. Tad pielejiet visu daudzumu eļļas. Samaisiet (sakratiet) degvielas maisījumu. Tad pielejiet atlikušo benzīnu.

- Pirms iepildīšanas mašīnas tvertnē pamatīgi samaisiet (sakratiet) degvielas maisījumu.
- Degvielas daudzumu sagatavojiet ne vairāk kā viena mēneša lietošanai.
- Ja mašīna netiek lietota ilgāku laiku, iztukšojiet un iztīriet degvielas tvertni.

Ķēdes eļļa

- Eļļošanai jāizmanto speciāla eļļa (ķēdes eļļa) ar labu piesaistes spēju.
- Nekad nelietojiet lietotu eļļu. Tā sabojās eļļas sūkni, sliedi un ķēdi.
- Ir ļoti svarīgi lietot pareizās vizkozitātes eļļu, saskaņā ar gaisa temperatūru.
- Kad temperatūra nokrītas zem 0°C, dažām eļļām mazinās vizkozitāte. Tas var pārslēgt eļļas sūkni un sabojāt tā sastāvdaļas.
- Izvēloties ķēdes eļļu, konsultējieties ar servisa darbnīcu.

Degvielas uzpildīšana



BRĪDINĀJUMS! Sekojošie uzmanības pasākumi mazinās aizdegšanās risku:

Degvielas tuvumā nesmēķējiet un nenovietojiet nekādus karstu priekšmetus.

Pirms degvielas uzpildīšanas izslēdziet motoru un ļaujiet tam dažas minūtes atdzist.

Atveriet degvielas tvertnes vāku lēnām, lai iespējamais spiediens tiek samazināts lēnām.

Pēc degvielas uzpildīšanas rūpīgi noslēdziet degvielas tvertnes vāku.

Pirms iedarbināšanas vienmēr pārvietojiet mašīnu no degvielas uzpildīšanas vietas.

Notīriet ap degvielas tvertnes vāku. Regulāri tīriet degvielas un ķēdes eļļas tvertnes. Degvielas filtrs maināms vismaz vienu reizi gadā. Netīrumu nokļūšana degvielas tvertnē radīs bojājumus. Pārlicinieties, ka degviela ir labi samaisīta, sakratot degvielas trauku pirms uzpildīšanas. Ķēdes eļļas un degvielas tvertņu tilpumi ir savstarpēji saskaņoti. Tādēļ vienmēr uzpildiet ķēdes eļļu un degvielu vienlaicīgi.



BRĪDINĀJUMS! Degviela un degvielas iztvaikojumi ir ļoti ugunsnedroši. Esiet uzmanīgs, rīkojoties ar degvielu un ķēdes eļļu. Paturiet prātā aizdegšanās, eksplozijas un saindēšanās risku.

Drošība darbā ar degvielu

- Nekad nemēģiniet uzpildīt mašīnu ar degvielu motora darba laikā.
- Ievērojiet labas ventilācijas nosacījumus degvielas un degvielas maisījuma (benzīns un divtaktu eļļa) uzpildīšanas laikā.
- Pirms motora iedarbināšanas pārvietojiet mašīnu vismaz 3 m no degvielas uzpildīšanas vietas.

- Nekad nedarbiniet mašīnu:
- 1 Ja uz mašīnas korpusa izlijusi degviela vai ķēdes eļļa. Noslaukiet visu izlieto un ļaujiet benzīnam izgarot.
 - 2 Ja jūs esat aplējuši sevi vai savas drēbes ar degvielu, pārģērbieties. Normazģājiet tās kermeņa daļas, kas bija kontaktā ar degvielu. Izmantojiet ziepes un ūdeni.
 - 3 Ja mašīnai pamanat degvielas sūci. Regulāri pārbaudiet, vai degvielas tvertnes vākā un degvielas vadās nav sūces.



BRĪDINĀJUMS! Nekad nelietojiet mašīnu ar redzamiem aizdedzes sveces aizsarga un sveces kabeļa bojājumiem. Iespējams dzirkstēju rašanās risks, kas var izraisīt ugunsgrēku.

Transports un uzglabāšana

- Vienmēr glabājiet motorzāģi un degvielu, lai iespējamās degvielas un eļļas noplūdes nenonāk kontaktā ar liesmām un dzirkstēju avotiem, piemēram elektriskām mašīnām, elektriskiem motoriem, slēdžiem/kontaktiem apkures katliem, krāsnīm, utt.
- Vienmēr glabājiet degvielu šim nolūkam speciāli atzītā un piemērotā tvertnē.
- Motorzāģa ilgstošākas uzglabāšanas vai transporta reizēs iztukšojiet degvielas un ķēdes eļļas tvertnes. Noskaidrojiet, kur ir atļauts izliet nevajadzīgu degvielu un eļļu.
- Raugiet, lai pirms novietošanas ilgstošā uzglabāšanā mašīna ir labi notīrīta un tai ir veikts pilnīgs serviss.
- Mašīnas transportēšanas vai uzglabāšanas laikā vienmēr ir jābūt piestiprinātam griešanas aprijuma transportēšanas aizsargam, lai kļūdas pēc nenonāktu kontaktā ar aso ķēdi. Arī nekustīga ķēde var būt par iemeslu nopietnām lietotāja vai citu personu traumām, ja tie nonāk ar to kontaktā.
- Aparātu var droši pārvadāt transportēšanas laikā.

Izglstošā uzglabāšana.

Labi vēdināmā vietā iztukšojiet degvielas un eļļas tvertnes. Degvielu uzglabājiet apstiprinātās tvertnēs un drošā vietā. Piestipriniet sliedes aizsargu. Notīriet mašīnu. Lasiet norādījumus zem rubrikas Apkopes secība.

Iedarbināšana un apstādināšana



BRĪDINĀJUMS! Pirms iedarbināšanas ievērojiet sekojošo:

Kad motors tiek iedarbināts, ķēdes bremzei ir jābūt ieslēgtai, lai tādā veidā samazinātu risku nonākt kontaktā ar rotējošo ķēdi starta brīdī.

Nedarbiniet motorzāģi, ja nav piemontēta sliede, ķēde un visi vāki. Pretējā gadījumā var nokrist sajūgs un izsaukt miesas bojājumus.

Nolieciet mašīnu uz cieta pamata. Pārliecinieties, ka jūs stāvat stabili un, ka ķēde nevar nekam pieskarties.

Pārliecinieties, ka nepiederošas personas un dzīvnieki neatrodas jūsu darba teritorijā.

Ja motors ir auksts

Iedarbināšana: Ķēdes bremzei pirms iedarbināšanas ir jābūt ieslēgtai. Bremzi aktivizē, pabīdot atsitienu aizsargu uz priekšu. **(20)**

1. Degvielas sūknis: Piespiediet degvielas sūkņa gumijas sūknīti vairākas reizes līdz sūknītis ir piepildīts ar degvielu. Sūknītim nav jābūt pilnīgi pilnam ar benzīnu. **(23)**

2. Gaisa vārsts: Izvelciet zilo aizbīdni/iedarbināšanas droseles vadības elementu līdz galam (pozīcija **FULL CHOKE** (Pilna drosele)). Kad drosele ir pilnībā izvilka, automātiski tiek iestatīts pareizs starta stāvoklis. **(21)**

Startera drosele: Kombinētais gaisa vārsta un startera droseles stāvoklis tiek sasniegts, kad regulators tiek iestādīts "choke" pozīcijā. **(22)**

Iedarbināšana

Satveriet priekšējo rokturi ar kreiso roku. Turiet ķēdes zāģi pie zemes, izliekot labo pēdu caur aizmugurējo rokturi.

3. Velkot startera rokturi ar labo roku, lēnām izvelciet startera auklu, līdz jūtāt pretestību (starteris aiztur iedarbināšanu), pēc tam velciet stingri un ātri, līdz dzinējs iedarbojas. **Nekad nesatiniet startera auklu ap roku.** **(25)**

UZMANĪBU! Startera auklu neizvelciet pilnīgi līdz galam un arī nelaidiet to valā no pilnīgi izvilka stāvokļa. Tā var sabojāt mašīnu.

4. Motoram iedarbojoties, par ko liecinās atbilstošā motora darbības skaņa, iestatiet gaisa vārsta vadību uz "1/2 gaisa vārsts" iestatījumu. **(21)**

5. Spēcīgi velciet auklu, līdz dzinējs iedarbojas. **(26)** Ļaujiet motoram 30 sekundes iesilt, bet pēc tam, lai iestatītu normālu tukšgaitu, saspiediet droseles mēlīti.

Tā kā ķēdes bremze joprojām ir saslēgta, dzinēja ātrums pēc iespējas ātrāk jāiestata uz brīvgaitu, tas tiek sasniegts, vēlreiz ātri nospiežot droseles slēdzi. Tas nepieļauj nevajadzīgu sajūga, sajūga cilindra un bremžu siksnas nodilumu.

Ievērojiet! Atjaunojiet ķēdes bremzes stāvokli (atizmēts ar "PULL BACK TO RESET"), iestatot to pret rokturi. Līdz ar to motorzāģis ir gatavs lietošanai. **(27)**

Ja motors ir silts

Izmantojiet tādu pašu procedūru kā auksta dzinēja iedarbināšanai, bet neizstatot aizbīdņa vadības elementu aizbīdņa pozīcijā. Iestatiet drošli iedarbināšanas pozīcijā, izvelkot zilo aizbīdņa vadības elementu aizbīdņa pozīcijā un pēc tam to atkal iebīdot. **(24)**



BRĪDINĀJUMS! Ilgstoša motora izplūdes gāzu, kēdes eļļas garaiņu un zāga skaidu putekļu ieelpošana var apdraudēt veselību.

- Nekad nedarbiniet motorzāģi, ja nav pareizi piestiprināta sliede, zāga ķēde un visi vāki. Skatīt norādījumus zem rubrikas Montāža. Ja pie motorzāģa nav piestiprināta sliede un ķēde, var nokrist sajūgs un izraisīt nopietnas traumas. **(28)**
- Kad motorzāģis tiek iedarbināts, ķēdes bremzei ir jābūt ieslēgtai. Skatīt norādījumus rubrikā "Iedarbināšana un apstādīnāšana". Nekad nedarbiniet motorzāģi, turot auklu un palaižot vaļā motorzāģi. Tā ir ļoti bīstama metode, jo tādā veidā var zaudēt kontroli pār motorzāģi. **(29)**
- Nekad nedarbiniet mašīnu telpās. Ņemiet vērā, ka motora izplūdes gāzes var būt bīstamas veselībai.
- Pārīliecinaties, ka tuvumā neatrodas cilvēki vai dzīvnieki, kas var nonākt saskarē ar griešanas aprīkojumu.
- Motorzāģi vienmēr turiet ar abām rokām. Ar labo roku turiet aizmugures rokturi, bet ar kreiso roku – priekšējo rokturi. **Šo satvērienu ir jāizmanto visiem lietotājiem, arī kreijiem.** Rokturus satveriet stingri ar ikšņiem un pirkstiem, lai tie aptver rokturus. **(30)**

Apstādīnāšana

Apstādīniet dzinēju, nospiežot apturēšanas pogu. **(31)**

Pirms katras lietošanas reizes: (32)

- 1 Pārbaudiet, vai ķēdes bremze kārtīgi darbojas un nav bojāta.
- 2 Pārbaudiet, vai aizmugures roktura aizsargs nav bojāts.
- 3 Pārbaudiet, vai akseļatoru blokators kārtīgi darbojas un nav bojāts.
- 4 Pārbaudiet, vai apstādīnāšanas poga kārtīgi darbojas un nav bojāta.
- 5 Pārbaudiet, vai visi rokturi ir tīri no eļļas.
- 6 Pārbaudiet, vai vibrāciju slāpēšanas sistēma darbojas un nav bojāta.
- 7 Pārbaudiet, vai trokšņu slāpētājs ir stingri piestiprināts un nav bojāts.
- 8 Pārbaudiet, vai motorzāģa visas detaļas ir piegrieztas un vai tās nav bojātas vai neiztrūkst.
- 9 Pārbaudiet, vai ķēdes uztvērējs ir vietā un nav bojāts.
- 10 Pārbaudiet ķēdes spriegojumu.

Vispārējās darba instrukcijas

SVARĪGI!

Šajā nodalījumā tiek apskatīti pamata drošības noteikumi darbā ar motorzāģi. Šī informācija nekādā ziņā neaizstāj profesionālu sagatavotību izglītības veidā un pieredzi. Ja rodas nedroša situācija, kad neesat drošs kā rīkoties tālāk, pārtrauciet darbu un konsultējieties ar speciālistu. Sazinieties ar savu motorzāģu veikalu, servisa darbnīcu vai ar kādu pieredzējušu motorzāģa lietotāju. Nekad nedarīet darbu, kā veikšanai nejutaties pietiekoši kvalificēti!

Pirms motorzāģa lietošanas jums ir jāzina, ko nozīmē rāviens un kā no tā izvairīties. Skatīt norādījumus zem rubrikas Pasākumi rāvienu novēršanai.

Pirms motorzāģa lietošanas jums ir jāsaprot starpība starp zāģēšanu ar sliedes augšējo un apakšējo malu. Skatiet norādījumus rubrikā "Atsītienu novēršanas pasākumi" un "Mašīnas drošības aprīkojums".

Lietojiet individuālo drošības aprīkojumu. Skatīt norādījumus zem rubrikas Individuālais drošības aprīkojums.

Drošības pamatnoteikumi

- 1 Uzmaniet apkārtni:
 - Lai pārīliecinātos, ka tuvumā nav cilvēku, dzīvnieku, vai priekšmetu, kas var ietekmēt jūsu kontroli pār mašīnu.
 - Lai pārīliecinātos, ka jūsu zāģis nevar skart nevienu no iepriekš minētajiem vai arī, ka tos nevar skart kritošs koks.

UZMANĪBU! Ievērojiet šīs instrukcijas, bet nekad nelietojiet motorzāģi, ja nav iespēja nelaiemes gadījumā izsaukt palīdzību.

- 2 Nelietojiet zāģi sliktos laika apstākļos. Piemēram biežā miglā, stiprā lietus gāzē, stiprā vējā, lielā aukstumā utt. Darbs sliktos laika apstākļos ir nogurdinošs un saistīts ar bīstamiem riskiem, kā slidenu zemi, neprognozējamu koku krišanas virzienu, utt.
- 3 Esiet sevišķi uzmanīgs griežot sīkus zarus un izvairieties griezt krūmus (tas ir, daudzus sīkus zarus vienlaicīgi). Sīki zari var ieķerties ķēdē un tikt mesti jums virsū, radot nopietnus ievainojumus.
- 4 Raugiet, lai jūs varat droši pārvietoties un stāvēt. Apskatieties, vai jums apkārt nav kādi šķēršļi, kas var traucēt pēkšņu nepieciešamību pārvietoties (saknes, akmeņi, zari, bedres, utt.). Esiet sevišķi uzmanīgs, strādājot uz slīpas virsmas.
- 5 Esiet sevišķi uzmanīgs, zāģējot nospriegotus kokus. Nospriegots koks var atlekt atpakaļ savā sākotnējā stāvoklī gan pirms, gan pēc tā pārzāģēšanas. Ja jūs pats stāvat nepareizi vai, ja zāģējat nepareizā vietā, koks var trāpīt jums vai mašīnai tā, ka jūs zaudējat kontroli. Abi gadījumi var izraisīt nopietnus ievainojumus.
- 6 Pirms pārvietošanās, izslēdziet motoru un fiksējiet ķēdi ar ķēdes bremzi. Nesiet motorzāģi ar sliedi un ķēdi vērstu uz aizmuguri. Ja pārvietojaties tālāk, uzlieciet sliedi aizsargapvalku.

- 7 Ja noliekat motorzāģi uz zemes, nobloķējiet ķēdi ar ķēdes bremzi un paturiet motorzāģi savā redzes lokā. Ja pātraukumi ir ilgāki, motors ir jāizslēdz.



BRĪDINĀJUMS! Dažkārt skaidas iestrēgst sajūga apvalkā, kas izraisa ķēdes sastrēgumu. Pirms tīrīšanas vienmēr apturēt dzinēju.

Pamatnoteikumi

- 1 Ja saprotat, kas ir rāviens un tā cēloņus, jūs tas nepārsteigs negaidīti. Ja esat sagatavojies, jūs mazināsiet ar rāvieniem saistītos riskus. Rāvienī parasti ir mazi, bet atsevišķos gadījumos, tie var būt ļoti pēkšņi un ļoti spēcīgi.
- 2 Turiet motorzāģi vienmēr stingri rokās, ar labo roku uz aizmugurējo rokturi un ar kreiso roku uz priekšējo rokturi. Aptveriet rokturus ar pirkstiem un iķšķi. Izmantojiet šo satvērienu vienlīga, vai esat labocis vai kreilīs. Šāds satvēriens mazina rāvienu sekas un palīdz jums savaldīt motorzāģi. **Nelaidiet vajā rokturus!**
- 3 Vairums nelaimes, kas saistītas ar rāvieniem, notiek zāģējot zarus. Nostājaties stabili un pārliecinaties, ka jums nav nekā pa kājām, uz kā varētu paklupt vai, kas jūs izsistu no līdzsvara.

Neuzmanība var izraisīt rāvienu, ja neparedzēti rāvienu zona iekļūst zars, koks vai cits priekšmets.

Kontrolējiet darba priekšmetu. Ja zāģējamie priekšmeti ir mazi un viegli, tie var iesprūst ķēdē un tikt izsviesti pret jums. Ja tas arī nav bīstami, jūs varat tikt negaidīti pārsteigts un zaudēt kontroli pār zāģi. Nekad nezāģējiet vairākus baļķus vai zarus kopā, bet gan vispirms nodaliet tos. Katru baļķi vai gabalu zāģējiet atsevišķi. Nolieciet malā nozāģētos gabalus, lai uzturētu drošu darba vietu.

- 4 **Nekad nelietojiet motorzāģi virs plecu augstuma un cenšaties nezāģēt ar pašu sliedes galu. Nekad nelietojiet motorzāģi, to turot vienā rokā! (33)**
- 5 Lai pilnībā saglabātu kontroli pār motorzāģi, nepieciešams, ka jūs stabili stāvat. Nekad nestrādājiet, stāvot uz kāpnēm, augšā kokā vai, ja jums nav stabila pamata zem kājām. **(34)**
- 6 Vienmēr strādājiet ar maksimālu zāģēšanas – ķēdes griešanās ātrumu, tas ir, ar maksimālu akselerāciju.
- 7 Esiet sevišķi uzmanīgs, zāģējot ar sliedes augšējo malu, tas ir, no apakšas. To sauc par griešanu bīdīšanas režīmā. Šādos apstākļos ķēde stumj motorzāģi pret lietotāju. Ja ķēde iesprūst, motorzāģis var astiesies pret jums.
- 8 Ja lietotājs nepretojās šim spiedienam, rodas risks, ka motorzāģis pavirzīsies tik tālu, ka tikai sliedes rāvienu zona būs saskarē ar koku, kas izraisīs rāvienu. **(35)**
Ja zāģējat ar sliedes apakšu, tas ir, no pārzāģējamā priekšmeta augšas uz apakšu, to var saukt par zāģēšanu vilkšanas režīmā. Šādā gadījumā motorzāģis sevi velk koka virzienā un motorzāģa priekšējā mala ir dabisks balsts darba laikā. Griešana vilkšanas režīmā palīdz jums labāk novaldīt motorzāģi un kontrolēt rāvienu zonas atrašanās vietu.
- 9 Sekojiet pamācībai par ķēdes asināšanu un sliedes kopšanu. Kad jūs nomainat sliedi un ķēdi, lietojiet tikai tās kombinācijas, kuras mēs iesakām. Skatīt norādījumus zem rubrikas Griešanas aprīkojums un Tehniskie dati.

Zāģēšanas pamati



BRĪDINĀJUMS! Nekad nestrādājiet ar motorzāģi, turot to vienā rokā. Motorzāģi nevar droši novaldīt, turot ar vienu roku. Rokturus turiet ar abām rokām stingri un cieši.

Vispārēji

- Zāģējot, vienmēr strādājiet ar pilnu jaudu!
 - Samaziniet motora ātrumu uz tukšgaitu pēc katra griezuma (motora darbināšana ar pilnu jaudu bez noslogojuma pārāk ilgi var radīt smagus motora bojājumus).
 - Zāģēšana no augšas = Zāģēšana vilkšanas režīmā.
 - Zāģēšana no apakšas = Zāģēšana stumšanas režīmā.
- Zāģēšana stumšanas režīmā palielina rāvienu risku. Skatīt norādījumus zem rubrikas Pasākumi rāvienu novēršanai.

Terminoloģija

Griešana = Vispārējs apzīmējums koka zāģēšanai.

Atzarošana = Zaru nogriešana no nogāzta koka.

Nošķelšanā = Objekts, ko griežat, nolūzt pirms jūs pabeidzat zāģēšanu līdz galam.

Pirms sāciet griezt, ir jāpadomā par pieciem svarīgiem faktoriem:

- 1 Pārliecinaties, ka sliede neiesprūdis griezumā.
- 2 Pārliecinaties, ka baļķis nenoskelsies.
- 3 Pārliecinaties, ka ķēde griešanas laikā vai pēc tam nepieskārsies zemei vai citam priekšmetam.
- 4 Vai ir iespējams rāviens?
- 5 Vai zemes virsma un apkārtnē var iespaidot jūsu stabilitāti un drošību darba laikā?

Divi faktori nosaka, vai ķēde iesprūdis un vai baļķis pāršķelsies: pirmais – kā baļķis balstās pirms un pēc griešanas vietas un otrs – vai baļķis nav zem spriedzes.

Vairums situācijās jūs varat izvairīties no šīm problēmām griežot divos etapos, vispirms no baļķa augšas, tad no apakšas. Jums ir baļķis jāatbalsta tā, ka tas neiespiedīs ķēdi vai nepāršķelsies griešanas laikā.

SVARĪGI! Ja ķēde iekērās griezumā: apstādiniet motoru!

Nemēģiniet ar spēku atbrīvot motorzāģi. Jūs varat savainot sevi ar ķēdi, ja motorzāģis pēkšņi izraujas. Atspiediet griezumu vajā ar sviru, tādējādi atbrīvojot motorzāģi.

Sekojošos padomos tiek izskaidrots, kā rīkoties parastās motorzāģa lietošanas situācijās.

Atzarošana

Griežot resnus zarus, lietojiet iepriekš minētās metodes.

Griežiet sarežģītus zarus pa gabalam.

Griešana



BRĪDINĀJUMS! Nekad nemēģiniet zāgēt grēdās sakrautus vai kopā guļošus balķus. Tādā veidā jūs pamatīgi palielināt risku, kas var novest pie nopietnām vai dzīvībām bīstamām traumām.

Ja jums ir jāzāgē grēdās sakrauti balķi, katrs zāgējama balķis ir jānoķer no grēdas un jānovieto uz steķa vai laidņa un jāzāgē atsevišķi.

Nozāgēto gabalu pārvietojiet prom no darba vietas. Atstājot tos darba vietā, jūs riskējat kļūdas dēļ būt pakļauts atsitienam un zaudēt darba laikā līdzsvaru.

Balķis guļ uz zemes. Risks, ka ķēde iekersies vai, ka balķis pāršķelsies, ir mazs. Toties, ir risks, ka ķēde pieskarsies zemei, kad jūs nobeigsiet griezumam.

Pilnīgi pārgrieziet balķi no augšas. Cenšaties nepieskarties zemei, nobeidzot griezumam. Grieziet ar motora pilnu jaudu, bet esiet gatavs jebkuram pavērsienam. **(36)**

Ja iespējams pagrieziet balķi, pārtrauciet griešanu, kad esat pārzāgējis 2/3 no balķa.

Aprieziet balķi un nobeidziet atlikušo 1/3 griezienu no otras puses.

Balķis balstās tikai vienā galā. Liels risks, ka tas pāršķelsies.

Sāciet griezt no apakšas (iezāgējiet balķi līdz 1/3 no diametra).

Pabeidziet griezumam, zāgējot no augšas tā, lai abi griezumi satiekas.

Balķis atbalstās abos galos. Liels risks, ka ķēde iesprūdis.

Sāciet griezt no augšas (iezāgējiet balķi līdz 1/3 no diametra).

Pabeidziet, griežot no apakšas tā, lai abi griezumi satiekas.

Koku gāšanas metodes

SVARĪGI! Lai gāztu kokus, ir nepieciešama liela pieredze. Nepieredzējušiem motorzāģa lietotājiem nav ieteicams gāzt kokus. Nekad neveiciet darbus, kuru veikšanai neijūtaties pietiekoši kvalificēti!

Drošs attālums

Drošam attālumam starp koku, kuru gāzīs un tuvākodarba laukumu, ir jābūt vismaz 2 1/2 no gāžamā koka garuma. Pārliecinaties, ka neviens neatrodas "riskā zonā" pirms un koka gāšanas laikā. **(37)**

Gāšanas virziens

Mērķis ir nogāzt koku tā, lai tas gulētu visizdevīgāk atzarošanas un sagriešanas darbiem. Tam ir jānokriet vietā, kur jūs varat droši un brīvi pārvietoties.

Kad jūs esat nolēmis, kādā virzienā vēlaties koku gāzt, jums jānovērtē koka dabiskais krišanas virziens.

To ietekmē vairāki faktori:

- Koka sasvēršanās
- Ja koks ir liks
- Vēja virziens

- Zaru izvietojums
- Sniega smagums
- Šķēršļi koka apkārtnē: piemēram, citi koki, elektrības līnijas, ceļi un ēkas.
- Apskatiet koku, vai tas nav bojāts un iepuvis, lai tas nesāk krist ātrāk nekā jūs to varat paredzēt.

Jūs varbūt konstatēsiet, ka esat spiests gāzt koku tā dabiskā krišanas virzienā, jo to gāzt jums vēlāmā virzienā var būt neiespējami vai bīstami.

Vēl viens svarīgs faktors, kas neietekmē gāšanas virzienu, bet var ietekmēt jūsu drošību – vai kokam nav bojāti vai nokaltuši zari, kas var nolūzt un jums uzkrīst gāšanas darbu laikā.

Galvenais ir novērst, lai koks neuzkrīst citam kokam. Novākt šādu nepareizi kritušo koku var būt ļoti bīstami, un pastāv liels nelaimes gadījumu risks. Skatīt norādījumus rubrikā Nepareizi krituša stumbra atbrīvošana.

SVARĪGI! Kritiskos koka gāšanas brīžos, vienmēr ņemiet aizsargaustiņa, kad beidzat zāgēt, lai varētu labi saklausīt skaņas un trokšņus.

Stumbra notīrīšana un atkāpšanās ceļa sagatavošana

Atzarojiet stumbru līdz plecu augstumam. Drošāk ir strādāt no augšas uz leju, lai stumbris ir starp jums un motorzāģi.

Novāciet krūmus un citu augsni ap koka stumbru un pārliecinaties, ka apkārtnē nav šķēršļu (akmeņi, zari, bedres, utt.) jūsu atkāpšanās ceļam brīdī, kad koks sāk gāzties. Jūsu atkāpšanās ceļš ir apmēram 135 grādu leņķī no iecerētā koka krišanas virziena. **(38)**

- 1 Riska zona
- 2 Atgriešanās ceļš
- 3 Gāšanas virziens

Koku gāšana



BRĪDINĀJUMS! Ja neesat speciāli apmācīts, ieteicam negāzt kokus, kuru stumbra diametrs pārsniedz jūsu zāģa sliedes garumu!

Gāšanu veic ar trīs dažādiem griezumumiem. Vispirms izdariat virziena greizumu, kas sastāv no augšējā un apakšējā griezuma, kuriem seko gāšanas griezumam. Pareizi izvietojot šos griezumam, jūs varat ar lielu precizitāti noteikt gāšanas virzienu.

Virziena greizumi

Zāgējot virziena greizumu, sāciet ar augšējo griezumam. Stāviet koka labā pusē un grieziet ar velkošu ķēdi.

Tad izdariat apakšējo griezumam, lai tas beigtos tur, kur beidzas augšējais griezumam. **(39)**

Abiem griezumumiem kopumā jāšķel apmēram 1/4 stumbra diametru, veidojot apmēram 45 grādu leņķi.

Līnija, kur abi griezumam satiekas ir gāšanas virziena griezumam līnija. Tai jābūt pilnīgi horizontālai un taisnā leņķī (90 grādu) iepretim iecerētam gāšanas virzienam. **(40)**

Gāšanas griezumam

Gāšanas griezumu izdara no koka pretējās puses un tam jābūt pilnīgi horizontālam. Stāviet koka kreisā pusē un grieziet ar sliedes apakšējo pusi.

Izdariet gāšanas griezumu apmēram 3–5 cm (1,5–2 collas) virs virziena griezuma horizontālās līnijas.

Mizas balstu (ja tas ir piemontēts) piespiediet aiz laušanas strēmeles. Grieziet ar pilnu motora jaudu, lēnām virzot sliedi un ķēdi pret koku. Vērojiet, vai koks nesāk svērties pretējā virzienā tam, kurā jūs vēlaties koku gāzt. Iedzeniet ķīli vai lauzni griezumā līdz ko tas ir pietiekami dziļš. **(41)**

Nogrieziet gāšanas griezumu paralēli ar gāšanas virziena griezuma līniju, atstājot atstarpi, kas atbilst 1/10 stumbra diametram. Stumbra nepārgriezto daļu sauc par laušanas strēmeli.

Laušanas strēmele darbojas kā enges, kas nosaka gāžamā koka krišanas virzienu. **(42)**

Ja laušanas strēmele ir pārāk šaura un ja virziena griezumi un gāšanas griezumus ir nepareizi izvietoti, jūs zaudēsiet kontroli pār koka krišanas virzienu.

Kad gāšanas griezums un virziena griezumi ir pabeigti, koks sāks gāzties pats no sava svara vai ar ķīļa vai laužņa palīdzību.

Mēs iesakām izmantot tādu sliedes garumu, kas pārsniedz stumbra diametru, lai krišanas un virziena iegriezumus ir izdarāmi ar tā saucamo "vienkāršo griezumu". Par jūsu motorzāga modelim piemērotajiem sliedes garumiem lasiet rubriķā "Tehniskie dati".

Ir paņēmieni, kā gāzt kokus, kam stumbra diametrs lielāks par sliedes garumu. Taču šādi paņēmieni ir saistīti ar palielinātu rāvienu risku.

Nepareizi krituša stumbra atbrīvošana

Kā atbrīvot aizķērušos koku

Novākt šādu nepareizi kritušu koku var būt ļoti bīstami, un pastāv liels nelaimes gadījumu risks.

Nekad nemēģiniet zāgēt iekārušos koku.

Nekad nestrādājiet iekārušos koku riska zonā.

Drošākais paņēmieni ir lietot treilēšanas ierīci.

- Ar traktoru
- Portatīvu

Kā griezt kokus un zarus, kas ir zem spriedzes

Sagatavošanās: Novērtējiet, kādā virzienā koks vai zars pārvietosies, ja to atbrīvos un, kur tam ir dabiskais lūšanas punkts (vieta, kur tas lūztu, ja to vēl vairāk saliektu).

Izdomājiet drošāko veidu kā atsavināt spriedzi un vai jūs to spējat droši izdarīt. Sarežģītās situācijās vienīgais drošais paņēmieni ir nolikt motorzāģi pie malas un lietot treilēšanas ierīci.

Vispārēji padomi:

Nostājieties tā, ka koks vai zars jūs neskars, kad tas atbrīvosies.

Izdariet vienu vai vairākus griezumus pie lūšanas punkta. Izdariet pietiekoši daudz un dziļus griezumus, lai mazinātu spriegojumu un panāktu, ka koks var pārlūzt pie lūšanas punkta.

Nekad negrieziet taisni caur kokam vai zaram, kas ir zem spriedzes!

Ja jums ir jātiek cauri kokam/zaram, tad izdariet divus vai trīs griezumus ar 3 cm atstatumu 3–5 cm dziļumā.

Turpiniet zāgēt dziļāk, kamēr koks/zars atbrīvojas no nospiegējuma.

Kad koks/zars vairs nav nospiegotā stāvoklī, zāģējiet to no iegriezumam pretējās puses.

Izvairīšanās no rāvieniem



BRĪDINĀJUMS! Rāvienu var būt ļoti pēkšņi un spēcīgi, triecot motorzāģi, sliedi un ķēdi zāģa lietotāja virzienā. Ja tas gadās, kad ķēde ir darbībā, lietotājs var gūt ļoti nopietnus, pat nāvējošus ievainojumus. Ļoti svarīgi saprast, kādēļ rodas rāvienu un kā no tiem izvairīties, lietojot pareizus darba paņēmienus.

Kas ir rāviens?

Par motorzāģa rāvienu sauc pēkšņo reakciju, ko izraisa sliedes priekšgala augšās (to sauc par rāvienu zonu) pieskaršanās kādam priekšmetam, atsitot zāģi uz atmuguri. **(43)**

Rāvienu vienmēr notiek zāģēšanas plāksnē. Parasti motorzāģi un sliedi met atmuguriski un uz augšu lietotāja virzienā. Ir arī iespējams, ka motorzāģi triec citā virzienā atkarībā no tā kā to lietoja brīdī, kad sliedes rāvienu zona pieskārs kādam priekšmetam.

Rāvienu gadās tikai tad, ja sliedes rāvienu zonā nokļūst kāds priekšmets. **(44)**

Atzarošana



BRĪDINĀJUMS! Lielākā daļa no atsitiena izraisītiem nelaimes gadījumiem notiek veicot atzarošanas. Neizmantojiet sliedes atsitiena riska sektoru. Īpaši uzmanīgs esiet un izvairieties, lai sliedes gals nenonāk kontaktā ar balķi, citiem zariem vai priekšmetiem. Īpaši uzmanīgs esiet ar iesprūdušiem zariem. Tie var kā atspere atlēkt pret jums, jūs varat zaudēt kontroli un gūt traumas.

Pārļiecinaties, ka varat droši pārvietoties un stāvēt! Strādājiet no stumbra kreisās puses. Turaties tuvu motorzāģim, lai varētu maksimāli labi pārvaldīt zāģi. Ja iespējams, ļaujiet zāģim atgulties ar savu smagumu uz stumbra.

Turiet stumbru starp sevi un motorzāģi, kamēr jūs virzāties gar stumbru.

Stumburu sagarumošana

Skatīt norādījumus zem rubriķas Griešanas pamati.

Vispārēji

Lietotājs drīkst veikt tikai tādus apkopes un servisa darbus, kas aprakstīti šajā lietošanas pamācībā. Plašāka mēroga ierīkšanu un pieļaujama specializētā darbnīca.

Karburatora regulēšana

Šis Jonsered izstrādājums konstruēts un veidots saskaņā ar specifikācijām, kas samazina kaitīgo gāzu izplūdi.

Darbība

- Karburators regulē motora ātrumu ar drošes palīdzību. Gaisa un degviela samaisās karburatorā. Gaisa/degvielas maisījumu var noregulēt. Lai mašina darbotos ar maksimālu efektivitāti, maisījuma regulēšanai ir jābūt pareizai.
- T skrūve regulē tukšgaitas ātrumu. Ja T skrūvi griež pulksteņrādītāja virzienā, tas pātrina tukšgaitu; pretēji pulksteņrādītāja virzienā to palēnina.

Pamatneregulēšana un iestrāde

Karburators ir iestādīts pamatneregulējumā, kad topārbauda fabrikā. Precīzā regulēšana ir jāveic izglīotam un zinošam personālam.

Ieteicams brīvgaitas apgriezumu skaits: Skatīt nodaļu Tehniskie dati.

Tukšgaitas ātruma T galīgā noregulēšana

Noregulējiet tukšgaitas ātrumu ar skrūvi T. Ja nepieciešams pārregulēt, vispirms griežiet skrūvi T pulksteņrādītāja virzienā, kamēr ķēde sāk griezties. Tad griežiet pretēji pulksteņrādītāja virzienā, kamēr ķēde apstājas. Tukšgaitas ātrums ir pareizs, ja motors darbojas gludi visās pozīcijās ar labu apgriezumu drošības rezervi, iekams ķēde sāk griezties.



BRĪDINĀJUMS! Konsultējieties servisa darbnīcā, ja tukšgaitas ātrumu nevar noregulēt tā, ka ķēde negriežas. Nelietojiet motorzāģi, iekams tas nav pareizi noregulēts vai salabots.

Motorzāģa drošības aprikojuma pārbaude, apkalpe un serviss

Ievērojiet! Mašīnas visa veida serviss un labojumi ir jāveic cilvēkiem ar speciālu izglītību. Tas īpaši attiecas uz mašīnas drošības aprikojumu. Ja mašīna neatbilst kādiem no tālāk minētajiem kontroles parametriem, mēs iesakām griezties servisa darbnīcā. Jebkura apkope, izņemot to, kas aprakstīta šajā pamācībā, veicama tikai specializētā darbnīcā vai veikalā.

Pirms apkopes un remontdarbiem, izslēdziet dzinēju un noņemiet aizdedzes kabeli.

Ķēdes bremze ar aizsargu pret rāvieniem

Bremzes stīpas nolietošāns kontrole

Notīriet skaidas, svekus un citus netīrumus no ķēdes bremzes un sajūga cilindra. Netīrumi un nolietošāns ietekmē bremzes darbību. **(45)**

Regulāri pārbaudiet, ka bremžu stīpa ir vismaz 0,6 mm bieza visplānākā vietā.

Rāvienu drošības sviras pārbaude

Pārliedzināties, ka rāvienu drošības svira nav bojāta un tai nav redzami defekti, piemēram, plaisas.

Pavīriet rāvienu drošības sviru uz priekšu un atpakaļ, lai pārliedzināties, ka tā brīvi kustas un ir piestiprināta pie sajūga vāka. **(46)**

Inerces funkcijas pārbaude

Motorzāģi ar izslēgtu motoru novietojiet uz kāda celma vai cita stabila priekšmeta. Atlaidiet rokturi un ļaujiet motorzāģim krist pret celmu no sava svara, rotējot ap aizmugures rokturi.

Kad slīdes gals trāpa celmam, jāiedarbojas bremzei. (47)

Bremzes iedarbības kontrole

Novietojiet motorzāģi uz stabila pamata un iedarbiniet to. Uzmaniet, lai ķēde nepieskaras zemei vai kādam citam priekšmetam. Skatiet norādījumus zem rubrikas Iedarbināšana un apstādinašana.

Satveriet motorzāģi stingri, ar pirkstiem un ikšķi cieši aptverot rokturus.

Iedarbiniet drošesli ar pilnu jaudu un iedarbiniet ķēdes bremzi, pieskaroties rāvienu drošības svirai ar rokas locītavu. Nelaidiet valā priekšējo rokturi. **Ķēdei vajadzētu momentā apstāties.**

Drošesli blokators

- Pārliedzināties, ka drošesli ir nobloķēta tukšgaitā, kad drošesli blokators ir savā izejas pozīcijā.
- Nospiediet drošesli blokatoru un pārliedzināties, ka tas atgriežas sākotnējā pozīcijā, kad to atkal palaižat.
- Pārbaudiet, vai drošesli un Drošesli blokators kustās brīvi un, ka atspere darbojas pareizi.
- Iedarbiniet motorzāģi un iedarbiniet drošesli ar pilnu jaudu. Atlaidiet drošesli un pārbaudiet, vai ķēde apstājas un paliek nekustīga. Ja ķēde griežas, kad drošesli ir nostādīta tukšgaitā, pārbaudiet karburatora tukšgaitas režīmu.

Kēdes pārtvērējs

Pārbaudiet, vai kēdes pārtvērējs nav bojāts un ir stingri piestiprināts pie motoržāģa korpusa.

Labās rokas aizsargs

Pārbaudiet, vai labās rokas aizsargs nav bojāts un ir bez redzamiem defektiem, piemēram, plaisām.

Vibrāciju samazināšanas sistēma

Regulāri pārbaudiet, vai vibrāciju slāpēšanas aprīkojumā nav redzamas plaisas un deformācijas.

Pārliecinaties, ka vibrāciju slāpēšanas aprīkojums ir stingri piestiprināts motoram un rokturiem.

Stop slēdzis

Iedarbiniet motoru un pārliecinaties, ka motors apstājas, kad stop slēdzi pārbīda uz stop pozīciju.

Trokšņa slāpētājs

Nekad nelietojiet mašīnu ar bojātu trokšņu slāpētāju. Regulāri pārbaudiet, vai trokšņu slāpētājs ir stingri piestiprināts mašīnai.

Ievērojiet: Iekārtai iespējams nomainīt dzirksteļu uztvērēju (A). **(48)** Ja režģis ir bojāts, tas jānomaina. Piesērējis režģis pārkarsēs mašīnu, kas radīs bojājumus cilindrā un virzulinim. Nekad nelietojiet mašīnu ar bojātu vai piesērējušu režģi.

Nekad nelietojiet trokšņu slāpētāju, bez dzirksteļu aizturēšanas režģa vai, ja tas ir bojāts.

Lietotājam, kas iekārtu izmanto mājas apstākļos, nav nepieciešams patstāvīgi mainīt trokšņu slāpētāju un dzirksteļu uztvērēju. .

Gaisa filtrs

Gaisa filtrs regulāri jāattīra no putekļiem un netīrumiem, lai novērstu:

- Kaburators sabojāšanos
- Iedarbināšanas grūtības
- Jaudas samazināšanos
- Motora detaļu nevajadzīgu nodilšanu
- Nenormāli lielu degvielas patēriņu.
- Gaisa filtru (3) demontē, noņemot cilindra pārsegu, skrūvi (1) un gaisa filtra pārsegu (2). Montējot, sekojiet līdzi, lai gaisa filtrs atbalstītos cieši pret filtra turētāju. Izkratiert un iztīriet filtru tīru. **(49)**

Vēl labāk filtru var iztīrīt, mazgājot ar ziepjuūdeni.

Gaisa filtrs, kas lietots ilgāku laiku, nav pilnīgi iztīrāms. Tādēļ tas jānomaina ar jaunu filtru. **Vienmēr nomainiet bojātu gaisa filtru.**

Aizdedzes svece

Aizdedzes sveces stāvokli ietekmē sekojošais:

- Nepareiza karburatora noregulēšana.
- Nepareizs degvielas maisījums (pārāk daudz vai nepareizas markas eļļa).
- Netīrs gaisa filtrs.

Šie faktori izraisa nogulsņumus uz elektrodiem, kas var radīt darbības traucējumus un iedarbināšanas grūtības.

Ja mašīnai ir zema jauda, ja to grūti iedarbināt, vai tas darbojas slikti tukšgaitā, vispirms pārbaudiet aizdedzes sveci. Ja svece ir netīra, notīriet to un pārbaudiet vai atstarpe starp elektrodiem ir 0,5 mm. Svece ir jānomaina, ja tā ir lietota vairāk nekā mēnesi, vai arī, ja nepieciešams, ātrāk. **(50)**

Ievērojiet! Vienmēr lietojiet ieteikto sveces tipu! Nepareiza svece var nopietni bojāt virzuli/cilindru. Pārbaudiet, vai aizdedzes svecei ir tā saucamais radio traucējumu novērsejs.

Apkopes grafiks

Zemāk ir redzams mašīnas apkopes pasākumu saraksts. Lielākā daļa no produktiem ir aprakstīti nodajā Apkope.

Ikdienas apkope (Katras 5–10 stundas)	Nedēļas apkope (Katras 10–25 stundas)	Ikmēneša apkope (Katras 25–40 stundas)
Notīriet mašīnas virsmu.	Pārbaudiet starteri, startera auklu un startera atsperi.	Pārbaudiet ķēdes bremzes siksnu, vai tā nav nodilusi. Nomainiet to, ja visizdilušākajās vietās tās biezums ir tikai 0,6 mm.
Pārbaudiet, lai droseles detaļas darbotos droši. (Droseles regulators un tā blokators.)	Pārbaudiet, vai vibrāciju slāpēšanas iekārtas nav bojātas.	Pārbaudiet, ka sajūga centrs, sajūga cilindrs un sajūga atspere nav nodilušas.
Notīriet ķēdes bremzi un pārbaudiet tās darbību no drošības viedokļa. Pārbaudiet, vai ķēdes uztvērējs nav bojāts, nomainiet, ja nepieciešams.	Novilējiet iespējamās metāla skaidas no slīdes malām.	Notīriet aizdedzes sveci. Pārbaudiet vai elektrodu atstarpe ir 0,5 mm.
Apgrieziet slīdi reizi dienā, lai tā vienādi nodilst. Pārbaudiet slīdes ieeļļošanas caurumu, lai pārliecinātos, ka tas nav aizsērējis. Iztīriet slīdes rievu. Ja slīdei galā ir zvaigznīte, tā jāieziež.	Notīriet karburatora korpusu un gaisa tvertni.	Notīriet karburatora ārpusi.
Pārbaudiet eļļas padevi un, vai slīde un ķēde saņem to pietiekoši.	Iztīriet gaisa filtru. Ja nepieciešams, nomainiet.	Pārbaudiet degvielas filtru un pievadus. Nomainiet, ja nepieciešams.
Pārbaudiet ķēdi attiecībā uz redzamiem ieplaisājumiem kniedēs un posmos un vai kniedes un posmi nav nodiluši. Ja nepieciešamas, nomainiet.		Iztukšojiet degvielas tvertni un no iekšpuses to iztīriet.
Asiniet ķēdi un pārbaudiet tās spriegumu un stāvokli. Pārbaudiet, vai nav nodilis dzinējzobrats un, ja nepieciešams, nomainiet.		Iztukšojiet eļļas tvertni un no iekšpuses to iztīriet.
Iztīriet startera gaisa ieplūdi.		Pārbaudiet visus kabelus un savienojumus.
Pārbaudiet, vai skrūves un uzgriežņi ir piegriezti.		
Pārbaudiet, vai stopslēdzis darbojas.		
Pārbaudiet, vai nav manāma degvielas noplūde no motora, tvertnes vai degvielas vadiem.		

Tehniskie dati

	CS 2234	CS 2238
Motors		
Cilindra tilpums, cm ³	38	38
Šļūtenes garums, mm	32	32
Brīvgaits apgriezību skaits, apgr./min	3000	3000
Jauda, kW	1,4/9000	1,5/9000
Aizdedzes sistēma		
Aizdedzes svece	Champion RCJ 7Y	Champion RCJ 7Y
Elektrodu attālums, mm	0,5	0,5
Degvielas/eļļošanas sistēma		
Benzīna tvertnes tilpums, litri	0,3	0,3
Eļļas sūkņa jauda pie 8500 a/m, ml/min	7	7
Eļļas tvertnes tilpums, litros	0,19	0,19
Eļļas sūkņa tips	Automātisks	Automātisks
Svars		
Motorzāģis bez sliedes un ķēdes un ar tukšām tvertnēm, kg	4,7	4,7
Trokšņa emisijas (skatīt 1. piezīmi)		
Skaņas jaudas līmenis, mērīts dB(A)	115	115
Skaņas jaudas līmenis, garantēts L _{WA} dB(A)	118	118
Skaņas līmenis (skatīt 2. piezīmi)		
Ekvivalents skaņas spiediena līmenis pie lietotāja auss, dB(A)	100,6	100,6
Ekvivalenti vibrāciju līmeņi, a_{hveq} (sk. piezīmi Nr.3)		
Priekšējā rokturī, m/s ²	3,7	3,7
Aizmugurējā rokturī, m/s ²	5,1	5,1
Ķēde/sliede		
Standarta sliedes garums, collās/cm	14/35, 16/40	14/35, 16/40
Ieteicamie sliedes garumi, collās/cm	14/35, 16/40	14/35, 16/40
Griešanai lietojamais garums, collās/cm	13,5/34, 15,5/39	13,5/34, 15,5/39
Solis, collās/mm	3/8 / 9,52	3/8 / 9,52
Dzinējiedaļas garums, collās/mm	0,050/1,3	0,050/1,3
Dzenoša skriemeļa tips/zobu skaits	6	6
Ķēdes ātrums pie maksimālās jaudas, m/sec	17,1	17,1

Piezīme 1: Trokšņa emisija apkārtņē ir mērīta kā trokšņa jauda (L_{WA}) saskaņā ar EK direktīvu 2000/14/EK.


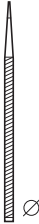
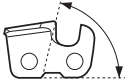
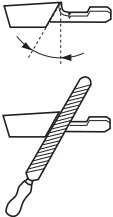

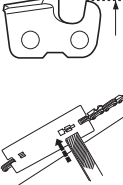
Piezīme Nr. 2: Saskaņā ar ISO 22868, ekvivalentu trokšņa spiediena līmeni aprēķina pēc dažādu trokšņa spiediena līmeņu laikā izstarotās kopējās enerģijas pie dažādiem darba apstākļiem. Tipiska statistiskā izkliede ekvivalentam trokšņa spiediena līmenim ir standarta novirze 1 dB (A).

Piezīme Nr. 3: Saskaņā ar ISO 22867, ekvivalentu vibrācijas līmeni aprēķina pēc vibrāciju līmeņu laikā izstarotās kopējās enerģijas pie dažādiem darba apstākļiem. Sniegtajos datos par līdzvērtīgu vibrācijas līmeni ir tipiska statistiskā izkliede (standartnovirze) 1 m/s².

Sliedes un ķēdes kombinācijas

Jonsered modeļiem CS 2234 un CS 2238 ir apstiprināti sekojoši piestiprinātie griezējinstrumenti.

Sliede				Zāģa ķēde	
Garums, collās	Solis, collās	Sliedes platums, mm	Gala zobrata maksimālais zobu skaits	Tips	Garums, dzenošie posmi (gab.)
14	3/8	1,3	7T	Jonsered H37	52
16	3/8		7T		56
18	3/8		7T		62

					
	inch/mm				inch/mm
H37	5/32/4,0	80°	30°	0°	0.025/0,65

Garantija par atbilstību EK standartiem

(Attiecas vienīgi uz Eiropu)

Husqvarna, SE-561 82 Huskvarna, Zviedrija, tel. +46-36-146500 ar šo apliecina, ka motorzāģi **Jonsered CS 2234 un CS 2238** sākot ar 2009. gada sērijas numuriem un turpmāk (gada skaitlis, kam seko sērijas numurs, tiek norādīts uz uzlimes) atbilst PADOMES DIREKTĪVĀ norādītiem nosacījumiem:

- 2006. gada 17. maijs, Direktīva 2006/42/EK, "par mašīnu tehniku"
- 2004. g. 15. decembris "par elektromagnētisko saderību" **2004/108/EEC**.
- 2000. g. 8. maija "par trokšņu emisiju apkārtne" **2000/14/EK**.

Informāciju par trokšņu emisijām skatīt nodalā Tehniskie dati. Izmantoti sekojoši standarti: **EN ISO 12100-2:2003, CISPR 12:2001, EN ISO 11681-1:2004**

Pieteikuma iesniedzējs: **0404, SMP Svensk Maskinprovning AB**, Fyrisborgsgatan 3, SE-754 50 Uppsala, Zviedrija ir veikusi EK tipveida kontroli saskaņā ar mašīnu direktīvas (2006/42/EG) rakstu 12, punktu 3b. Apliecības par EK tipa kontroli saskaņā ar pielikumu IX numurs: **0404/09/2048**.

Tālāk SMP, Svensk Maskinprovning AB, Fyrisborgsgatan 3, SE-754 50 Uppsala, Zviedrija ir apliecinājusi atbilstību padomes 2000. g. 8. maija direktīvas 2000/14/EK "par trokšņa emisiju apkārtne" pielikumam V. Sertifikātu numuri: **26/161/003 - CS 2234, 26/161/004 - CS 2238**.

Piegādātais motorzāģis atbilst EK kontroles atzītajam motorzāģu tipam.

Huskvarna, 2009.g. 29. decembris



Ronnie E. Goldman, Tehniskais direktors. (Pilnvarotais Husqvarna AB pārstāvis ir atbildīgs par tehnisko dokumentāciju).

Gerbiamas kliente!

Sveikiname pasirinkus Jonsered produktą!

Mes įsitikinę, jog Jūs ir tolimoje ateityje su pasitenkinimu vertinsite mūsų produktų kokybę bei darbinės charakteristikas. Įsigiję nors vieną mūsų produktą, Jums bus suteikta profesionali remonto ir techninio aptarnavimo pagalba, jei kas nors atsitiktų. Jei įrenginį perkote ne iš mūsų licencijuotų prekybos atstovų, pasiteiraukite jų, kur yra artimiausios techninio aptarnavimo dirbtuvės.

Mes tikimės, jog Jūs liksite patenkinti savo įrenginiu, kuris išliks Jūsų palydovu ir tolimoje ateityje. Atsiminkite, jog šios naudojimosi instrukcijos yra vertingas dokumentas. Laikydami jį turinio (naudojimas, tech. aptarnavimas, priežiūra ir t. t.), Jūs žymiai prailginsite įrenginio ilgaamžiškumą bei jo panaudojimo vertę. Jei Jūs sumanysite perduoti įrenginį, naujam jam savininkui neužmirškite perduoti naudojimosi instrukcijų.

Sėkmės naudojant savo Jonsered produktą!

Jonsered pastoviai siekia tobulinti savo produktus, pasilikdama sau teisę keisti jų formą ir išvaizdą be išankstinio pranešimo.

Simboliai ant įrengino:

PERSPĖJIMAS! Grandininiai pjūklai gali būti pavojingi! Dėl neapdairios ar neteisingos eksploatacijos naudotojas ar kiti asmenys gali rimtai ir net mirtinai susižeisti.

Prieš naudodami įrenginį, atidžiai perskaitykite naudojimosi instrukcijas ir įsitikinkite, ar viską gerai supratote.

Visada nešiokite:

- Pripažintą apsauginį šalną
- Pripažintas apsaugines ausines
- Apsauginiai akiniai arba apsauginis šalmos skydelis

Šis gaminytis atitinka galiojančius Europos (CE) reikalavimus.

Triukšmo emisijos į aplinką pagal Europos Bendrijos direktyvą. Įrenginio emisija pateikiama skyriuje Techniniai duomenys ir ant lipduko.

Grandinį pjūklą operatorius turi laikyti abejomis rankomis.

Niekada nedirbkite motoriniu pjūklu laikydami jį tik viena ranka.

Reikia stengtis, kad vedančiojo styropo galas nepaliestų jokio objekto.

PERSPĖJIMAS! Atatranksos smūgis gali atsirasti, jei juostos viršūnė kliudo kokį daiktą ir sukelia reakciją, ko pasėkoje juosta metama į viršų ir atgal link naudotojo. Tai gali sunkiai sužeisti.

Grandinės stabdys: įjungtas (kairėje), išjungtas (dešinėje).



Likusiai ant įrenginio nurodyti simboliai pažymi specialius įvairiose rinkose keliamus sertifikavimo reikalavimus.

Grandininio pjūklo dalys (1)

1	Informacinė ir įspėjimo lentelė
2	Cilindro dangtelis
3	Kuro siurblys
4	Starterio rankenėlė
5	Oro sklendės rankenėlė/ Akseleratoriaus gaiduko užraktas
6	Stop mygtukas (Degimo įjungimo ir išjungimo mygtukas.)
7	Užpakalinė rankena
8	Kuro bakas
9	Karbiuratoriaus reguliavimo varžtai
10	Starteris
11	Grandinės alyvos bakas
12	Produkto ir serijos numerio ženklas.
13	Akseleratoriaus gaiduko užraktas (Apsaugo nuo atsitiktinio akseleratoriaus paspaudimo.)
14	Priekinė rankena
15	Mechaninis saugiklis
16	Duslintuvas
17	Įjovimo juosta
18	Įjovimo juostos žvaigždutė
19	Pjūklo grandinė
20	Buferis
21	Grandinės laikiklis
22	Grandinės įtempimo varžtas
23	Sankabos dangtelis
24	Galinė rankena su dešinės rankos apsauga
25	Akseleratoriaus gaidukas
26	Naudojimosi instrukcijos
27	Universalus raktas
28	Įjovimo juostos apsauga

Turinys

ĮVADAS

Gerbiamas kliente!	321
Simboliai ant įrengino:	321
Grandininio pjūklo dalys	322

TURINYS

Turinys	322
---------------	-----

BENDRI SAUGUMO REIKALAVIMAI

Prieš naudodami naują grandininį pjūklą	323
Svarbu	323
Visada naudokitės „blaiviu protu“.	323
Asmeninės saugumo priemonės	324
Įrenginio apsauginės dalys	324
Įjovimo įranga	325

SURINKIMAS

Įjovimo juostos ir grandinės surinkimas	328
-----------------------------------------------	-----

KAIP ELGTIS SU KURU

Kuro maišymas	329
Kuro užpylimas	329
Saugumo reikalavimai kurui	329

ĮJUNGIMAS IR IŠJUNGIMAS

Įjungimas ir išjungimas	330
-------------------------------	-----

PAGRINDINIAI DARBO

Prieš kiekvieną naudojimą:	331
Bendrosios darbo instrukcijos	331
Kaip išvengti atatrankos smūgių	334

PRIEŽIŪRA

Bendri principai	334
Karbiuratoriaus reguliavimas	334
Grandininio pjūklo apsauginių dalių kontrolė, priežiūra ir taisymas	334
Duslintuvas	335
Oro filtras	335
Žvakė	335
Priežiūros grafikas	336

TECHNINIAI DUOMENYS

Techniniai duomenys	337
Įjovimo juostų ir grandinių deriniai	338
EB patvirtinimas dėl atitikimo	338

Prieš naudodami naują grandininį pjūklą

- Atidžiai perskaitykite naudojimo instrukcijas.
- (1) – (50) yra nuorodos į iliustracijas psl. 2–5.
- Patikrinkite, ar gerai surinkta ir sureguliuota pjovimo įranga. Žr. nuorodas Surinkimas.
- Pripilkite kuro ir užveskite motorinį pjūklą. Žr. nuorodas skyreliuose „Kuras“ ir „Užvedimas ir išjungimas“.
- Nenaudokite grandininio pjūklo, kol grandinės alyva pakankamai nesuteps pjūklo grandinės. Žr. nuorodas Pjovimo įrangos tepimas.
- Ilgalais triukšmo poveikis gali nesugrąžinamai pakenkti klausai. Todėl visada naudokite pripažintas apsaugines ausines.



PERSPĖJIMAS! Be gamintojo leidimo jokiū būdu negalima keisti įrenginio konstrukcijos. Visada naudokite originalias atsargines dalis. Nesuderinti konstrukcijos pakeitimai bei nepritaikytos detalės gali sukelti rimtus kūno sužalojimus ir net mirtį.



PERSPĖJIMAS! Grandininis pjūklas – pavojingas darbo įrankis ir jei neapdairiai ar neteisingai juo naudositės, galite rimtai ir net lemtingai susižeisti. Labai svarbu, kad perskaitytumėte ir suprastumėte šias naudojimosi instrukcijas.



PERSPĖJIMAS! Duslintuvo viduje yra chemikalai, kurie gali turėti kancerogeninių medžiagų. Venkite kontakto su šiais elementais, jei duslintuvas yra pažeistas.



PERSPĖJIMAS! Ilgą laiką įkvepiant variklio išmetamąsias dujas, grandinės tepalo dūmus ir smulkias pjuvenų dalelytes, gali kilti pavojus sveikatai.



PERSPĖJIMAS! Veikimo metu šis įrenginys sukuria elektromagnetinį lauką. Susidarius tam tikroms sąlygoms, šis laukas gali sutrikdyti aktyviųjų arba pasyviųjų medicininių implantų veikimą. Siekdami sumažinti rimto arba mirtino sužalojimo riziką, mes rekomenduojame asmenims, turintiems medicininių implantų, prieš naudojant šį įrenginį pasikonsultuoti su savo gydytoju ir medicininio implanto gamintoju.

Svarbu

SVARBU!

Įrenginys yra skirtas tik medžiams pjauti.

Jums reikėtų naudoti tik rekomenduojamą juostos / pjūklo grandinės derinį, žr. skyrelį „Techniniai duomenys“.

Niekada nedirbkite įrenginiu, jei esate pavargęs, išgėręs alkoholio ar vartojate medikamentus, kurie gali veikti Jūsų regėjimą, nuovoką ar Jūsų kūno kontrolę.

Naudokite asmenines saugumo priemones. Žr. nuorodas Asmeninės saugumo priemonės.

Niekada nebandykite šio įrenginio modifikuoti, kad jis nebeatiktų originalios konstrukcijos, ir nenaudokite, jei jį modifikavo kiti.

Niekada nenaudokite techniškai netvarkingo įrenginio. Reguliariai tikrinkite detales, atlikite testus ir priežiūros darbus, nurodytus šioje instrukcijoje. Kai kurias priežiūros operacijas ir aptarnavimo darbus gali atlikti tik tam paruošti kvalifikuoti specialistai. Žr. nuorodas Priežiūra.

Niekada nenaudokite jokių šioje instrukcijoje neminimų priedų. Žr. nuorodas Pjovimo įranga ir Techniniai duomenys.

PASTABA! Visada naudokite apsauginius akinius ar antveidį, kad sumažėtų pavojus susižeisti nuo lekiančių dalelių.

Motorinis pjūklas didele jėga gali pakelti tokius daiktus, kaip pjuvenas, mažus medienos gabaliukus ir pan. Tai gali rimtai sužeisti, ypač akis.



PERSPĖJIMAS! Varikliui dirbant uždaroje arba blogai vėdinamoje patalpoje, žmogus gali uždusti arba apsinuodyti anglies monoksidu.



PERSPĖJIMAS! Netinkama pjovimo įranga ar netinkamas juostos / pjūklo grandinės derinys didina atitranskos smūgio pavojų! Naudokite tik rekomenduojamus juostos / pjovimo grandinės derinius bei laikykitės galandimo instrukcijos. Žr. nuorodas skyrelyje „Techniniai duomenys“.

Visada naudokitės „blaviu protu“. (2)

Naudojant motorinį pjūklą, neįmanoma numatyti visų įmanomų situacijų, kurios gali iškilti. Visada būkite atsargūs ir naudokitės „blaviu protu“. Nesistenkite atlikti darbo, kuriame nesate pakankamai kvalifikuotas. Jei Jūs, perskaitę šias instrukcijas, vis tiek abejojate dėl naudojimo būdo, prieš tęsdami darbą pasikonsultuokite su ekspertu. Nedvejokite ir susisiekite su prekybos atstovu arba mumis, jei iškilo klausimų dėl motorinio pjūklo naudojimo. Mes su malonumu patarsime, kaip reikia geriau ir saugiau naudoti motorinį pjūklą. Užsirašykite į motorinio pjūklo naudojimo mokymo kursus. Jūsų prekybos atstovas, miškininkystės mokykla ar biblioteka Jums suteiks informacijos apie mokymosi medžiagą bei organizuojamus mokymo kursus. Mes nuolat geriname dizainą ir techniką, kad padidėtų Jūsų saugumas ir našumas. Reguliariai lankykitės pas savo prekybos atstovą, kad pamatytumėte, kokios naudos Jums duos naujienos.

Asmeninės saugumo priemonės



PERSPĖJIMAS! Dauguma nelaimingų atsitikimų susijusių su grandininio pjūklų, įvyksta, kai grandinė kliudo naudotoją. Naudodami įrenginį, visada dėvėkite atitinkamų tarnybų pripažintas asmenines saugumo priemones. Asmeninės saugumo priemonės nepašalina rizikos susižeisti, tačiau nelaimingo atsitikimo atveju mažiau nukentėsite. Paprašykite pardavėjo išrinkti Jums tinkamiausias priemones.

- Pripažintą apsauginį šalną
- Apsauginės ausinės
- Apsauginiai akiniai arba apsauginis šalmo skydelis
- Apsauginės pjovimo pirštinės
- Kelnės su apsauga nuo pjūklo.
- Pjovimo batai plieniniu priekiu ir rantytu padu
- Netoliese visada turėkite pirmosios pagalbos vaistinėlą.
- Gesintuvais ir kastuvais

Apranga neturi varžyti judesių ir negali būti per didelė.

SVARBU! Kibirkštys gali kilti iš duslintuvo, nuo juostos, grandinės arba kito šaltinio. Visada turėkite gaisro gesinimui skirtas priemones prieinamoje vietoje, jei kartais reikėtų jas panaudoti. Tokiu būdu Jūs apsaugosite miškų nuo gaisrų.

Įrenginio apsauginės dalys

Šiame skyrelyje pateikiama informacija apie apsaugos detales bei jų funkcijas. Dėl patikros ir priežiūros žr. nuorodas skyrelyje „Motorinio pjūklo apsauginių dalių patikra ir techninė priežiūra“. Žr. nuorodas skyrelyje „Sudedamosios dalys“, kad galėtumėte matyti, kokioje vietoje tos dalys yra Jūsų įrenginyje.

Įrenginio tarnavimo laikas gali sutrumpėti, o nelaimingų atsitikimų pavojus gali padidėti, jei įrenginys nebus tinkamai prižiūrimas, o aptarnavimas ir/arba remonto darbai nebus atliekami profesionaliai. Jei Jums reikia papildomos informacijos, kreipkitės į artimiausias aptarnavimo dirbtuves.



PERSPĖJIMAS! Niekada nenaudokite įrenginio, kurio apsauginės dalys yra pažeistos. Apsauginės dalys turi būti tikrinamos ir prižiūrimos. Žr. nuorodas skyrelyje „Motorinio pjūklo apsauginių dalių patikra ir techninė priežiūra“. Jei Jūsų įrenginys nepraeina visų patikrų, būtina kreiptis į techninės priežiūros dirbtuves.

Grandinės stabdis ir mechaninio saugiklio svertas

Jūsų motorinis pjūklas turi grandinės stabdį, kuris sukonstruotas taip, kad esant atatranks smūgiui, pjūklo grandinė sustotų. Grandinės stabdys sumažina nelaimingų atsitikimų pavojų, tačiau tik naudotojas gali jų išvengti.

Prieš pradėdami pjauti, visada įsitikinkite, ar galimoje atatranks zonoje nėra jokio pašalinio objekto.

- Grandinės stabdys (A) įjungiamas mechaniškai (kaire ranka) arba inerciniu stabdžiu. (3)

- Stabdis įsijungia į priekį pastūmus mechaninio saugiklio svertą (B). (3)
- Svertui pajudėjus į priekį, įsijungia spyruoklinis mechanizmas, kuris įtempia stabdžio juostą (C) apie grandinės varymo sistemos (D) (sankabos būgnelio). (4)
- Mechaninis saugiklis skirtas ne tik grandinės stabdžiui įjungti. Jei jums netyčia išsprūdo priekinė rankena, jis apsaugos jūsų kairę ranką nuo grandinės smūgio.
- Užvedant motorinį pjūklą, grandinės stabdys turi būti įjungtas, kad grandinė nesisuktų.
- Užvedant bei persikeliant iš vienos vietos į kitą, grandinės stabdį naudokite kaip „stovėjimo stabdį“ tam, kad išvengtumėte nelaimių, jei netyčia prie pjūklo prisilietų naudotojas ar kiti daiktai, esantys aplinkoje.
- Jei norite atpalaiduoti grandinės stabdį, saugiklio svertą traukite atgal link priekinės rankenos.
- Atatranks jėga gali būti labai netikėta ir stipri. Dauguma atatranks smūgių būna nestiprūs ir todėl grandinės stabdis ne visada įsijungia. Jei taip atsitiktų, stenkitės tvirtai laikyti grandininį pjūklą ir jo nepaleisti.
- Kokiu būdu suveiks grandinės stabdis – ar paspaudus jį ranka, ar automatiškai – priklauso nuo atatranks jėgos bei grandininio pjūklo ir objekto, sąlygojusio atatranksą, sąlyginės padėties.

Esant stipriems atatranks smūgiams ir kai juostos atatranks smūgio pavojaus zona yra nutolusi nuo naudotojo, grandinės stabdžio konstrukcija yra tokia, jog jis įjungiamas per grandinės stabdžio atsvarą (inercija) atatranks smūgio kryptimi.

Prie nestiprių atatranks smūgių ar kitų darbinio situacijų, kai atatranks zona yra arti naudotojo, grandinės stabdis bus įjungtas rankiniu būdu jūsų kairės rankos judesiu.

- Leidžiant medžius kairė ranka yra tokioje padėtyje, jog grandinės stabdžio neįmanoma mechaniškai įjungti. Taip sugriebus, t. y., kai kairės rankos padėtis yra tokia, kad ji negali įtakoti atatranks smūgio apsaugos judesiu, grandinės stabdys gali būti įjungiamas tik inercijos stabdžio funkcija.

Ar esant atatranks smūgiui, mano ranka visada įjungs grandinės stabdį?

Ne. Reikia tam tikros jėgos norint pastūmėti atatranks smūgio apsaugą. Jei Jūs tik lengvai prisiliesite ranka prie atatranks smūgio apsaugos, gali tos jėgos neužtekti, kad įsijungtų grandinės stabdys. Dirbdami motorinio pjūklo rankeną laikykite stipriai. Jei taip darote ir esant atatranks smūgiui, galbūt Jūs niekada nepaleisite priekinės rankenos ir neįjungsite grandinės stabdžio, arba grandinės stabdys įsijungs tada, kai pjūklas suspės kažkiek pasisukti. Tokiomis situacijomis gali atsitikti taip, jog grandinės stabdys nesuspės sustabdyti grandinės prieš jai paliečiant Jus.

Kai kuriose darbinėse pozicijose Jūsų ranka negali pasiekti atatranks smūgio apsaugos, kad būtų įjungtas grandinės stabdys, pvz., kai pjūklas laikomas medžio leidimo padėtyje.

Ar inercinį stabdį visada įjungia grandinės stabdys esant atatranks smūgiui?

Ne. Pirmiausia turi veikti stabdžiai. Patikrinti stabdį nėra sunku, žr. nuorodas skyrelyje „Motorinio pjūklo apsauginių dalių patikra ir techninė priežiūra“. Mes rekomenduojame tai daryti kiekvieną kartą prieš pradėdami dirbti. Antra, atatranks

BENDRI SAUGUMO REIKALAVIMAI

smūgis turi būti pakankamai stiprus, kad aktyvuotųsi grandinės stabdys. Jei grandinės stabdys būtų per jautrus, jis nuolat įsijungtų, o tai labai trukdytų darbui.

Ar grandinės stabdys visada apsaugos nuo sužalojimų esant atatranks smūgiui?

Ne. Pirmiausia turi veikti stabdžiai norint, kad funkcionuotų numatyta apsauga. Antra, jis turi įsijungti taip, kaip buvo minėta anksčiau, kad esant atatranks smūgiui, pjūkle grandinė būtų sustabdyta. Trečia, grandinės stabdys gali įjungti, tačiau jei juosta yra per arti Jūsų, gali atsitikti taip, jog stabdys nespės sulėtėti ir sustabdyti grandinės prieš jai paliečiant Jus.

Tik Jūs pats ir tinkama darbo technika gali padėti išvengti atatranks smūgio bei jo pavojų.

Akceleratoriaus gaiduko blokatorius

Akceleratoriaus užraktas konstrukcija yra tokia, kad netyčia nebūtų galima įsijungti akceleratoriaus gaiduko. Kai užraktas (A) yra įspaudžiamas į rankeną (kai laikoma rankena), atjungiamas akceleratoriaus gaidukas (B). Kai atleidžiama rankena, akceleratoriaus gaidukas ir akceleratoriaus užraktas sugrįžta į savo pradinę padėtis. Ši padėtis reiškia, jog akceleratorius automatiškai užsiblokuoja esant laisvajai pavarai. (5)

Grandinės laikiklis

Grandinės laikiklis skirtas pagauti grandinę, jei ji kartais nukristų. Tai neturėtų atsitikti, jei grandinė yra gerai įtempta (žr. nuorodas Surinkimas) ir jei pjovimo juosta ir grandinė yra tinkamai prižiūrimi (žr. nuorodas Bendros darbo instrukcijos).

Dešinėsios rankos apsauginis skydas

Dešinėsios rankos apsauginis skydas ne tik saugo jūsų ranką nuo atšokusios ar nukritusios grandinės, bet ir kliudo šakoms patekti prie užpakalinės rankenos.

Antivibracinė sistema

Jūsų įrenginys turi antivibracinę sistemą, kuri iki minimumo sumažina vibraciją ir leidžia sėkmingiau dirbti.

Antivibracinė sistema sumažina vibraciją, kuri iš variklio ir grandinės persiduoda į įrenginio rankenas. Grandininio pjūkle korpusą, tame tarpe ir pjaunančius paviršius, nuo rankenų skiria vibraciją slopinančios detalės.

Kietų medžių (dažniausiai lapuočių) pjovimas sukelia stipresnę vibraciją negu minkštų (dažniausiai spygliuočių). Jei dirbsite atšūpiusia ar pažeista (pasirinktas neteisingas tipas ar blogai pagალsta) grandine, vibracija dar labiau sustiprės



PERSPĖJIMAS! Besikartojančios vibracijos žmonėms su sutrikusia kraujotaka gali sukelti kraujagyslių sutrikimus bei pažeisti nervus. Kreipkitės į gydytoją, jei Jūs jaučiate simptomus, kurie, Jūsų manymu, galėjo atsirasti dėl besikartojančių vibracijų. Šių simptomų pavyzdžiai yra šie: kūno tirpimas, sutrikęs jautrumas, persėjimas, skausmas, jėgos nebuvimas arba sumažėjusi jėga, odos ar jos ploto spalvos pokyčiai. Šie simptomai dažniausiai pasireiškia pirštuose, plaštakose ir rankų sąnariuose. Šie požymiai gali labiau paūmėti esant žemai temperatūrai.

Stop mygtukas

Stop mygtuką paspauskite, kai norite išjungti variklį.

Duslintuvas

Garso slopintuvas yra sukonstruotas tam, kad sumažintų garso lygį ir nukreiptų variklio išmetamąsias dujas nuo vartotojo.



PERSPĖJIMAS! Variklio išmetamosios dujos yra karštos, jos gali kibirkščiuoti ir sukelti gaisrą. Todėl niekada neužveskite įrenginio uždarose patalpose ar netoliese degių medžiagų!

Šiltų ir sausų klimatinėjų sąlygų zonose gaisro pavojus gali būti didesnis. Tokiose zonose darbą reglamentuoja įstatymai bei reikalavimai, taip pat ir duslintuvui, kuris turi būti su pripažintu kibirkščių sulaikymo tinkleliu (A). (6)



PASTABA! Duslintuvas labai įkaista tiek naudojant, tiek ir sustojus. Tai galioja net varikliui sukantį laisvąja eiga. Atsivėlkite į užsiliepsnojimo pavojų, ypač dirbdami šalia degių medžiagų ir / arba dujų.

PERSPĖJIMAS! Niekada nenaudokite motorinio pjūkle be duslintuvo arba su netvarkingu duslintuvu. Deformuotas duslintuvas gali žymiai padidinti garsą ir gaisro pavojų. Gaisro gesinimo priemonės turi būti prieinamos. Niekada nenaudokite motorinio pjūkle be kibirkščių sulaikymo tinklelio arba su deformuotu tinkleliu, jei kibirkščių sulaikymo tinklelis yra būtinas Jūsų darbo vietoje.

Pjovimo įranga

Šiame skyrelyje rašoma, kaip pasirinkti ir prižiūrėti pjovimo įrangą, jei norite:

- Sumažinti įrenginio atatranks pavojų.
- Rečiau nukrinta ir nutruksta pjūkle grandinė.
- Pasiekiamos optimalios pjovimo charakteristikos.
- Prailginti pjovimo įrangos tarnavimo laiką.
- Venkite didėjančių vibracijų.

Esminės taisyklės

- **Naudokite tik mūsų rekomenduojamą pjovimo įrangą!** Žr. nuorodas skyrelyje „Techniniai duomenys“.
- **Grandinės pjaunantys dantys visada turi būti gerai pagალsti!** Laikykitės mūsų instrukcijų ir naudokite rekomenduojamą šablona. Sugadinta ar blogai pagალsta grandinė padidina nelaimingų atsitikimų riziką.
- **Naudokite tinkamą ribotuva!** Laikykitės mūsų instrukcijų ir naudokite rekomenduojamą ribotuvo šablona. Per didelis ribotuvas padidina atatranks smūgio pavojų.
- **Grandinė turi būti gerai įtempta!** Nepakankamai įtempta grandinė greitai gali nušokti, greičiau dėvėsi pjovimo juosta, grandinė ir varomoji žvaigždutė.
- **Pjovimo įranga turi būti kruopščiai išvalyta ir sutepta!** Nepakankamai sutepta grandinė greičiau trūksta, greičiau dėvėsi pjovimo juosta, grandinė ir varomoji žvaigždutė.

Atatranks smūgius mažinanti pjovimo įranga.



PERSPĖJIMAS! Netinkama pjovimo įranga ar netinkamas juostos / pjovimo grandinės derinys didina atatranks smūgio pavojų! Naudokite tik rekomenduojamus juostos / pjovimo grandinės derinius bei laikykitės galandimo instrukcijos. Žr. nuorodas skyrelyje „Techniniai duomenys“.

Vienintelis būdas išvengti atatranks smūgių – nuolat prižiūrėti, kad juostos atatranks zonoje nebūtų jokių pašalinių daiktų.

Atatranks smūgių jėgą galite sumažinti, naudodami pjovimo įrangą su specialiai sukonstruotais atatranks mažinančiais elementais, nuolat galąsdami ir prižiūradami grandinę.

Juosta

Kuo mažesnis juostos priekio spindulys, tuo mažesnis atatranks smūgio pavojus.

Pjūklo grandinė

Pjūklo grandinė padaryta iš daugelio grandžių, kurios būna standartinės ir specialiosios, mažinančios atatranks smūgių pavojų.

SVARBU! Ne viena pjūklo grandinė nepanaikina atatranks smūgio pavojaus.



PERSPĖJIMAS! Kiekvienas kontaktas su besisukančia grandine gali labai rimtai sužeisti.

Kai kurie terminai, naudojami pjovimo juostai ir grandinei apibūdinti

Norint išlaikyti visas pjovimo įrangos apsaugos detales, reikėtų susidėvėjusią ir pažeistą juostą / grandinę pakeisti į „Jonsered“ rekomenduojamą juostą ir grandinę. Žr. nuorodas skyrelyje „Techniniai duomenys“, norėdami sužinoti apie rekomenduojamus juostos / grandinės derinius.

Juosta

- Ilgis (coliai/cm)
- Juostos žvaigždutės dantų skaičius (T).
- Grandinės žingsnis (=pitch) (coliais). Grandinės varančiųjų grandžių žingsnis turi atitikti juostos ir varomosios žvaigždutės žingsnį.
- Varančiųjų grandžių skaičius (vnt). Šį skaičių apsprendžia juostos ilgis, grandinės žingsnis ir juostos žvaigždutės dantų skaičius.
- Juostos griovelio plotis (coliais, mm). Juostos griovelio plotis turi atitikti grandinės varančiųjų grandžių storį.
- Pjūklo grandinės tepimo skylės ir skylės grandinės įtempimui. Juostos dizainas turi atitikti grandininio pjūklo konstrukciją.

Pjūklo grandinė

- Pjūklo grandinės žingsnis (=pitch) (coliai)
- Varančiosios grandies storis (mm/coliai)
- Varančiųjų grandžių skaičius (vnt)

Pjūklo grandinės ribotuvo galandimas ir reguliavimas.



PERSPĖJIMAS! Visada apsimaukite pirštines, kai dirbate su grandine kad apsaugotumėte rankas nuo sužeidimų.

Bendra informacija apie pjaunančiųjų dantų galandymą

- Niekada nepjunkite su atšipusia pjūklo grandine. Atšipusios pjūklo grandinės požymis yra tai, kad pjaudami medį, Jūs turite spausti pjovimo įrangą, o medžio pjuvenos yra mažos. Labai atšipusi pjūklo grandinė nepalieka jokių medžio drožlių, tik medžio dulkes.
- Gerai pagalsta pjūklo grandinė lengvai lenda į medį, atsiranda didelių ir ilgų pjuvenų.
- Pjaunančioji pjūklo grandinės dalis vadinasi pjaunantysis narelis, kurį sudaro pjaunantysis dantis (A) ir gylis reguliavimo ritinėlis (B). Atstumas tarp jų nustato pjūvio gylį. (7)

Galandant pjaunantįjį dantį, reikia atkreipti dėmesį į keturis matmenis.

- 1 Galandymo kampo
- 2 Pjovimo kampo
- 3 Dildės padėties
- 4 Apskritos dildės storio

Be pagalbinių priemonių labai sunku tinkamai pagალsti pjūklo grandinę. Todėl rekomenduojame naudoti mūsų galandimo šablono. Jis garantuoja, jog pjūklo grandinė bus pagალsta taip, kad optimaliai būtų sumažintas atatranks smūgio pavojus ir pasiektas pjovimo našumas.

Žr. nuorodas skyrelyje „Techniniai duomenys“ dėl informacijos apie motorinio pjūklo galandimo duomenis.



PERSPĖJIMAS! Galandimo instrukcijų nesilaikymas žymiai padidina pjūklo grandinės atatranks smūgio pavojų.

Pjaunančiųjų dantų galandymas

Galandant pjaunantįjį dantį, reikia apvalios dildės ir galandimo šablono. Žr. nuorodas skyrelyje „Techniniai duomenys“ dėl informacijos apie Jūsų motorinio pjūklo grandinei rekomenduojamą apskritos dildės skersmenį bei galandimo šablono.

- Patikrinkite, ar grandinė gerai įtempta. Laisvą grandinę sunku gerai pagალsti.
- Grandinės pjaunančius dantis visada galąskite iš vidinės pusės, traukdami dildę atgal, silpniau ją spauskite. Pirmiausiai visus dantis išgaląskite iš vienos pusės, po to apskukite grandininį pjūklą ir pagალskite kitą pusę.
- Visus dantis stenkitės galąsti vienodai. Kai pjaunančiųjų dantų ilgis sumažėja iki 4 mm (0,16"), grandinė laikoma susidėvėjusia ir turi būti pakeista. (8)

Bendra informacija apie ribotuvo reguliavimą

- Galandant pjaunantįjį dantį mažėja ribotuvas (pjūvio gylis). Norint išlaikyti maksimalų pjovimo našumą, gylis reguliavimo ritinėlis turi būti nuleistas iki rekomenduojamo lygio. Žr. nuorodas skyrelyje „Techniniai duomenys“ dėl informacijos apie Jūsų motorinio pjūklo grandinės ribotuvo dydį.



PERSPĖJIMAS! Per didelis ribotuvas padidina pjūklo grandinės atatranks smūgio pavojų!

Ribotuvo reguliavimas

- Reguluojant ribotuvą, pjaunantieji dantys turi būti naujai pagalšti. Mes rekomenduojame reguliuoti ribotuvą po kas trečio pjūklo grandinės galandimo. DĖMESIO! Ši rekomendacija aktuali, jei pjaunančiųjų dantų ilgis nėra per daug mažas.
- Ribotuvui reguliui reikalinga plokščia dildė ir ribotuvo šablonas. Mes rekomenduojame ribotuvui naudoti mūsų galandimo šabloną tam, kad būtų pasiektas tinkamas ribotuvo matmuo ir tinkamas gylio reguliavimo ritinėlio kampas.
- Galandimo šabloną padėkite ant pjūklo grandinės. Informaciją apie galandimo šablono naudojimą rasite ant pakuotės. Naudokite plokščią dildę likučiams šalinti nuo gylio reguliavimo ritinėlio viršutinės dalies. Ribotuvus yra tinkamas, kai dildė traukiant per šabloną, nesijaučia jokio pasipriešinimo.

Grandinės įtempimas



PERSPĖJIMAS! Atsipalaidavusi grandinė gali lengvai nukristi ir sunkiai ar net lemtingai sužeisti.



PERSPĖJIMAS! Visada mūvėkite pripažintas apsaugines pirštines. Net ir nesisukanti grandinė gali rimtai sužeisti naudotoją ar kitus asmenis, kurie prieina prie grandinės.

Kuo ilgiau naudosite grandinę, tuo labiau ji ilgės. Todėl būtina nuolat patempti atsipalaidavusią grandinę.

Patikrinkite grandinės įtempimą kiekvieną kartą, kai užpilate degalus. PASTABA! Kol grandinė nauja, ji turi prasitampyti, todėl naudojimo pradžioje įtempimą tikrinkite dar dažniau.

Įtempkite grandinę kiek galite stipriau, kol galėsite pasukti ją rankomis aplink juostą. (9)

- Atpalaiduokite veržles, tvirtinančias sankabos dangtelį ir pjūklo stabdį prie juostos. Naudokite universalų raktą. Po to kuo stipriau priveržkite šias veržles rankomis. (10)
- Juosta su grandine pakelkite į viršų ir įtempkite grandinę raktu sukdamį jos įtempimo varžtą. Tempkite grandinę tol, kol ji standžiai priglus prie apatinės juostos briaunos. (11)
- Universaliu raktu priveržkite juostos veržles, kita ranka tuo pačiu metu keldami juostos viršūnę aukštyn. Grandinė bus gerai įtempta tuomet, kai galėsite ją rankomis laisvai sukti aplink juostą ir ji bus standžiai prigludusi prie apatinės juostos briaunos (12)

Pjovimo įrangos tepimas



PERSPĖJIMAS! Dėl blogo pjovimo įrangos tepimo grandinė gali trūkti ir sunkiai ar net lemtingai sužeisti.

Pjūklo grandinės alyva

Grandinės alyva turi gerai prilipti prie pjovimo grandinės ir taip pat turi būti pakankamai skysta, nesvarbu ar lauke yra šilta vasara, ar šalta žiema.

Mes, grandinių pjūklų gamintojai, esame sukūrę optimalią alyvą pjovimo grandinėms, kurios pagrindą sudaro augaliniai riebalai, todėl ji yra biologiškai suskaidoma. Rekomenduojame naudoti mūsų alyvą, jei norite maksimaliai prailginti pjovimo

grandinės ek Jei negalite įsigyti mūsų rekomenduojamos alyvos, naudokite įprastinę grandinėms skirtą alyvą.

Niekada nenaudokite atidribusios alyvos! Jis kenkia tiek Jums, tiek įrenginiui ir aplinkai.

SVARBU! Naudodami augalinės kilmės grandinių alyvą, išmontuokite ir nuvalykite juostos griovelį prieš padėdami ilgalaikiam laikymui. Kitu atveju kyla pavojus, jog pjūklo grandinės alyva oksiduosis, todėl pjūklo grandinė gali sustangrėti, o juostos žvaigždutė pradės strigti.

Tepimo alyvos užpylimas

- Visi mūsų gaminami grandininiai pjūklai turi automatinę grandinės tepimo sistemą. Kai kuriuose modeliuose galima netgi reguliuoti tepimą.

- Pjūklo alyvos bakelio ir kuro bakelio dydžiai yra tokie, jog kuras pasibaigia greičiau nei pjūklo alyva.

Tačiau šios saugumo funkcijos sudaro prielaidą, jog bus naudojama tinakama pjūklo alyva (per skysta alyva pasibaigia greičiau nei kuras), laikomasi mūsų rekomendacijų dėl karbiuratoriaus suregulavimo (per „liesas“ nustatymas užtikrina, kad kuro užtenka ilgiau nei pjūklo alyvos) bei laikomasi mūsų rekomendacijų dėl pjovimo įrangos (per ilgai juostai reikia daugiau grandininės alyvos).

Grandinės tepimo tikrinimas

- Patikrinkite grandinės tepimą kiekvieną kartą, kai pripilate degalų į baką. Žr. nuorodas skyrelyje „Juostos žvaigždutės tepimas“.

Pjūklo juostos viršūnę nukreipkite į šviesų paviršių, nutolusį nuo jos apie 20 cm (8 coliai). Po minutės darbo 3/4 greičiu ant šviesaus paviršiaus turite aiškiai matyti alyvos paliktą liniją.

Jei grandinės tepimo sistema neveikia:

- Patikrinkite, ar neužsikimšęs tepalo kanalas pjūklo juostoje. Jei reikia, išvalykite.
- Patikrinkite, ar švarus pjūklo juostos briaunoje esantis griovelis. Jei ne – išvalykite.
- Patikrinkite, ar laisvai sukasi juostos gale esanti žvaigždutė, ir ar neužsikimšusi juostos gale esanti alyvos skylė. Jei reikia, išvalykite ir sutepkite.

Jei grandinės tepimo sistema neveikia ir po to, kai ėmėtės visų aukščiau išvardintų priemonių, kreipkitės į jus aptarnaujančias remonto dirbtuves.

Grandinės varomoji žvaigždutė

Jungiamasis vamzdis turi varantįjį ratą (grandininis varantysis ratas priliuktos prie vamzdžio).

Nuolat tikrinkite šių grandinių sukančių žvaigždūčių nusidėvėjimą. Pakeiskite jas, jei jos yra nusidėvėjusios. Kai keisite grandinę, visada pakeiskite ir ją varančiąją žvaigždutę.

Pjovimo įrangos nusidėvėjimo tikrinimas

Kiekvieną dieną apžiūrėkite grandinę ir įsitikinkite, ar:

- nėra įtrūkusios jos kniedės ir nareliai.
- ji yra standi.
- nėra susidėvėjusios kniedės ir grandys.

Išbrokuokite pjūklo grandinę, kuriai būdingas vienas ar keli anksčiau pateikti punktai.

Patariame palygtinti naudojamą grandinę su nauja, kas palengvins nustatyti, kiek grandinė yra nusidėvėjusi.

Kai pjaunantys dantys tampa trumpesni nei 4 mm, grandinę reikia keisti.

Juosta

Nuolat tikrinkite:

- Ar ant juostos briaunų nėra užvartų. Jei pastebėsite nelygumus, pašalinkite juos dilde. **(13A)**
- Jei labai nusidėvėjo juostos griovelis. Pakeiskite pjovimo juosta. **(13B)**
- Jei išlinkusi ir nusidėvėjusi juostos viršūnė. Jei vienoje juostos pusėje pastebėsite susidariusį įdubimą, žinokite, kad tai dažniausiai atsitinka dėl blogai įtemptos grandinės.
- Juosta ilgiau tarnaus, jei kiekvieną dieną ją apversite.



PERSPĖJIMAS! Dauguma nelaimingų atsitikimų susijusių su grandininio pjūkle, įvyksta, kai grandinė kliudo naudotoją.

Naudokite asmenines saugumo priemones. Žr. nuorodas Asmeninės saugumo priemones.

Nedirbkite darbo, kurio nemokate ar nepasitikite savimi. Žr. nuorodas Asmeninės saugumo priemones, Kaip išvengti atatranks smūgių, Pjovimo įranga ir Bendrosios darbo instrukcijos.

Venkite situacijų, kuriose kyla atrankos rizika. Žr. nuorodas Įrenginio apsauginės dalys.

Naudokite rekomenduojamą pjovimo įrangą ir tikrinkite jos būklę. Žr. nuorodas Bendrosios darbo instrukcijos.

Patikrinkite, ar gerai veikia grandininio pjūklų saugumą užtikrinančios funkcijos. Žr. nuorodas Bendrosios darbo instrukcijos ir Bendri saugumo reikalavimai.

Pjovimo juostos ir grandinės surinkimas



PERSPĖJIMAS! Patikros ir/arba techninės priežiūros darbai turi būti atliekami išjungus variklį. "Stop" rankenėlė automatiškai grįžta į "Start" padėtį. Norint išvengti atsitiktinio užvedimo, atliekant montavimo, patikros ir/arba priežiūros darbus būtina visada nuo uždegimo žvakės nuimti žvakės antgalį.

Visada apsimaukite pirštines, kai dirbate su grandine kad apsaugotumėte rankas nuo sužeidimų.

Stumtelėdami grandinės apsaugos svirtį priekinės rankenos link, įsitikinkite, ar yra išjungtas grandinės stabdis.

Atsukite pjovimo juostos veržles ir nuimkite sankabos dangtį (grandinės stabdį). Nuimkite vedantįjį žiedą. (A) **(14)**

Pjovimo juosta uždėkite ant jai pritaikyti skirtų varžtų. Patraukite pjovimo juosta atgal kiek tai leidžia jos išpjova. Uždėkite grandinę ant vedančiosios žvaigždutės ir įstatykite ją į griovelį juostoje. Pradėkite nuo pjovimo juostos viršutinės pusės. **(15)**

Patikrinkite, ar pjaunančiųjų grandžių briaunos viršutinėje juostos pusėje yra nukreiptos į priekį.

Į savo vietą uždėkite sankabos būgnelio dangtį (grandinės stabdį), o į skylutę juostoje įstatykite grandinės reguliavimo kaištį. Įsitikinkite, kad grandinės varančiosios grandys būtų teisingai uždėtos ant varančiosios žvaigždutės, ir kad grandinė tinkamai gulėtų pjovimo juostos griovelyje. Pirštais priveržkite juostos varžtus. **(16)**

Universaliu raktu įtempkite grandinę ir grandinės reguliavimo varžtą sukite pagal laikrodžio rodyklę. Grandinę tempkite tol, kol ji standžiai priglus prie pjovimo juostos apačios. Žr. nuorodas skyrelyje „Pjovimo grandinės tempimas“. **(17)**

Grandinė teisingai įtempta yra tuomet, kai ji yra standžiai prigludusi prie apatinės pjovimo juostos briaunos, tačiau jūs ją galite nesunkiai pasukti rankomis. Prilaikydami juostos viršūnę, universaliu raktu priveržkite juostos veržles. **(18)**

Jei naudojate naują grandinę, kuo dažniau tikrinkite grandinės įtempimą, kol ši prasitampys. Tai darykite reguliariai. Teisingai įtempta grandinė gerai pjauna ir ilgai tarnauja. **(19)**

Buferio montavimas

Dėl buferio montavimo kreipkitės į artimiausias remonto dirbtuves.

Kuro maišymas

Pasižymėkite! Įrenginys turi dvitaktį variklį, ir jam visada reikia naudoti benzino ir dvitaktčių variklių alyvos mišinį. Labai svarbu tiksliai atmatuoti naudojamoms alyvos tūri, kad gautumėte tinkamos konsistencijos mišinį. Jei ruošiate nedidelį degalų kiekį, net ir maži alyvos kiekio netikslumai gali stipriai įtakoti mišinio proporcijas.



PERSPĖJIMAS! Kurą ruoškite tik gerai ventiliuojamoje vietoje.

Benzinas

- Naudokite bešvinį ar geros kokybės su švinu benzina.
- Žemiausias rekomenduojamas oktano skaičius yra 90 (RON). Jei naudosite mažesnį nei 90 oktano skaičiaus benzina, gali atsirasti taip vadinamas "kalimas". Dėl to didėja variklio temperatūra ir apkrova guoliams, o tai savo ruožtu gali sąlygoti rimtus variklio gedimus.
- Jei nuolat dirbate dideliais variklio apsisukimais (pvz., genėdami šakas), siūlome naudoti dar didesnį oktano skaičių turintį benzina.

Įvažinėjimas

Pirmąsias 10 valandų būtina vengti dirbti per dideliu greičiu ilgesnį laiko tarpą.

Dvitaktė alyva

- Norėdami pasiekti geriausią rezultatą ir darbinės charakteristikas, naudokite JONSERED dvitaktę variklių alyvą, kuri yra specialiai sukurta mūsų oru aušinamiems dvitaktčiams varikliams.
- Niekada nenaudokite alyvos, skirtos vandeniu aušinamiems varikliams, vadinamosios alyvos pakabinamiems varikliams (TCW).
- Niekada nenaudokite alyvos, skirtos keturtaktčiams varikliams.
- Blogos kokybės alyva ar per riebus alyvos / kuro mišinys gali pakenkti katalizatoriaus funkcijai ir sutrumpinti jo tarnavimo laiką.

Mišinio proporcija

1:50 (2%) su JONSERED dvitakte alyva.

1:33 (3%) su kitomis alyvomis yra skirta oru aušinamiems dvitaktčiams varikliams; skirti JASO FB/ISO EGB.

Benzinas, litrai	Dvitaktė alyva, litrai	
	2% (1:50)	3% (1:33)
5	0,10	0,15
10	0,20	0,30
15	0,30	0,45
20	0,40	0,60

Maišymas

- Benzina ir alyvą visada maišykite švariame kurui skirtame bakelyje.
- Visada pirmiausiai supilkite pusę numatomo naudoti benzino. Tada supilkite visą reikalingą alyvos kiekį. Išmaišykite (suplakite) kuro mišinį. Supilkite likusią benzino dalį.
- Gerai išmaišykite (suplakite) kuro mišinį, prieš pildami jį į įrenginio baką.

- Kuro mišinio neruoškite daugiau kaip 1 mėnesiui į priekį.
- Jei kurį laiką įrenginio nenaudojate, ištuštinkite ir išvalykite kuro baką.

Alyva grandinei

- Tepimui rekomenduojama speciali alyva (grandinės tepimo alyva) su geromis kibimo savybėmis.
- Niekada nenaudokite atidirbusios alyvos. Ji sugadins alyvos siurbli, pjovimo juostą ir grandinę.
- Labai svarbu pagal oro temperatūrą parinkti atitinkamo tirštumo alyvą.
- Oro temperatūrai nukritus žemiau 0°C, kai kurių rūšių alyvos sutirštėja. Tokia alyva gali perkrauti alyvos siurbli ir pakenkti jos komponentams.
- Paprašykite jus aptarnaujančio tiekėjo padėti parinkti grandinės alyvą.

Kuro užpylimas



PERSPĖJIMAS! Šios saugumo priemonės sumažins gaisro pavojų:

Nerūkykite ir nelaikykite karštų daiktų šalia kuro.

Išjunkite variklį ir prieš pildami kurą leiskite jam keletą minučių atvėsti.

Pildami degalus, iš lėto atsukite kuro bako dangtelį tam, kad palaipsniui išsilygintų galintis bake susidaryti garų spaudimas.

Supylę degalus, kruopščiai užsukite kuro bako dangtelį.

Prieš užvesdami įrenginį, visada panešėkite jį toliau nuo kuro pylimo vietos.

Pašluostykite aplink kuro bako dangtelį. Nuolat nuvalykite kuro ir grandinės alyvos bakus. Mažiausiai kartą per metus pakeiskite kuro filtrą. Kuro bako užteršimas sąlygoja pjūklo veikimo sutrikimus. Prieš užpildami degalus, gerai supurtykite kanistrą ir išmaišykite kuro mišinį. Grandinės alyvos ir kuro bakų tūriai yra tarpusavyje suderinti. Todėl visuomet kartu užpilkite grandinės alyvą ir kurą.



PERSPĖJIMAS! Kuras ir jo garai labai lengvai įsiliepsnoja. Būkite atsargūs su kuru ir alyva. Saugokitės atviros liepsnos ir nekvėpuokite degalų garais.

Saugumo reikalavimai kurui

- Niekada nepilkite kuro esant jungtam įrenginiui.
 - Degalus pilkite ir maišykite tik gerai ventiliuojamoje vietoje (benzinas ir dvitaktė alyva).
 - Prieš užvesdami įrenginį, perneškite jį mažiausiai 3 m nuo tos vietos, kur pylėte degalus.
 - Nebandykite užvesti įrenginio:
- Jei ant įrenginio netyčia užpylėte degalų ar grandinės alyvos. Pirmiausia viską švariai nušluostykite ir kuro likučiams leiskite išgaruoti.
 - Jei Jūs apsipylėte degalais ar apipylėte drabužius, persirenkite. Nuplaukite tas kūno dalis, ant kurių užlašėjo kuras. Naudokite muilą ir vandenį.

3. Jei degalai varva iš įrenginio. Reguliariai tikrinkite kuro bako ir kuro žarnelių sandarumą.



PERSPĖJIMAS! Niekada nenaudokite įrenginio, kur aiškiai matosi degimo žvakės apsaugos ir degimo kabelio pažeidimai. Iškyla kibirkščių atsiradimo pavojus, o tai gali sukelti gaisrą.

Pervežimas ir laikymas

- Grandininį pjūklą ir kurą visada laikykite toliau nuo kibirkščių ar atviros liepsnos šaltinių. Pvz., elektrinių įrenginių, elektrinių variklių, elektros jungiklių, rozečių, šilumos katilų ir pan.
- Degalus visada laikykite tik tam skirtuose pripažintuose bakuose.
- Kai grandininio pjūklų ilgesnį laiką nedirbate arba kai jį transportuojate, ištuštinkite kuro ir alyvos bakus. Artimiausioje degalinėje paklauskite, kur išpilami degalai ir naudota alyva.
- Jei įrenginiu nesiruošiate naudotis ilgesnį laiką tarpą, užtikrinkite, kad jis būtų gerai išvalytas ir jam atliktas pilnas aptarnavimas.
- Pjovimo įrangos apsauginis dėklas įrenginio transportavimo ar laikymo metu visada privalo būti pritvirtintas, kad per klaidą neprisiliestų prie aštrios grandinės. Net ir nesisukanti grandinė gali rimtai sužeisti naudotoją ar kitus asmenis, kurie prieina prie grandinės.
- Gabendami įrenginį pritvirtinkite.

Ilgalaikis laikymas

Kuro ir alyvos bakelius ištuštinkite gerai vėdinamose vietose. Kurą laikykite pripažintuose bakeliuose saugiose vietose. Pritvirtinkite juostos apsaugą. Išvalykite įrenginį. Žr. nuorodas skyrelyje „Priežiūros tvarkaraštis“.

Įjungimas ir išjungimas



PERSPĖJIMAS! Prieš užvedant atkreipkite dėmesį:

Užvedant motorinį pjūklą grandinės stabdys turi būti įjungtas, kad sumažėtų pavojus prisiliesti prie besisukančios grandinės užvedimo metu.

Niekada neveskite grandininio pjūklo, kol juosta, grandinė ir visi dangteliai nėra priveržti. Nes kitaip sankaba gali atsilaisvinti ir sužeisti.

Padėkite įrenginį ant kieto pagrindo. Apžiūrėkite, ar grandinė neličia kokio daikto ir įsitikinkite, ar jūs tvirtai stovite.

Žiūrėkite, kad darbo zonoje nesimaišytų kiti žmonės ar gyvuliai.

Šaltas variklis

Užvedimas: Grandinės stabdys turi būti įjungtas prieš užvedant grandininį pjūklą. Stabdys aktyvuojamas mechaniniu saugikliu svėrtą patraukiant pirmyn. (20)

1. Kuro siurblys: Keletą kartų paspauskite kuro siurblio guminę pūslelę, kol kuras užpildys pūslelę. Pūslelės nereikia pilnai pripildyti. (23)

2. Sklendė: Ištraukite mėlyną droselio/užvedimo sklendės valdiklį (į padėtį **SKLENDĖ ATIDARYTA**). Kai droselinė sklendė yra visiškai ištraukta, automatiškai nustatomas teisingas kuro padavimo režimas. (21)

Dideli laisvos eigos apsisukimai: Kombinuota sklendės/didelių laisvos eigos apsisukimų padėtis pasiekiami, kai virtvis nustatoma ant sklendės padėties. (22)

Užvedimas

Kaire ranka paimkite priekinę rankeną. Grandininį pjūklą laikykite ant žemės, prakisę dešinę koją pro užpakalinę rankeną.

3. Dešine ranka patraukite starterio rankeną ir lėtai traukite starterio laidą, kol pajusite pasipriešinimą (kol starteris užges), tuomet tvirtai ir greitai patraukite, kol variklis užsidegs. **Niekada nevyنيokite starterio lynelio sau ant rankos.** (25)

PASTABA! Staigiai nepaleiskite pilnai ištrauktos starterio rankenėlės. Tai gali pakentti įrenginį.

4. Kai tik variklis užsives (išgirsite kostelėjimo garsą), oro sklendės rankenėlę pastumkite į padėtį „1/2 choke“ (1/2 oro sklendės). (21)

5. Tvirtai traukite laidą, kol variklis užsives. (26) Leiskite varikliui apie trisdešimt sekundžių pašilti, tuomet nuspauskite akceleratoriaus gaiduką, kad variklis veiktų tuščia eiga.

Kadangi grandinės stabdys tebėra įjungtas, variklio sukiami kuo greičiau turi būti sumažinti iki laisvosios eigos, o tą greitai galima padaryti vieną kartą paspaudžiant akceleratorių. Taip išvengsite nereikalingo sankabos, sankabos cilindro ir stabdžio juostos dilimo.

Pasizymėkite! Atstatykite grandinės stabdžius, keisdami eigos apsaugą (pasirinkite „PULL BACK TO RESET“) rankenos kilpa. Dabar benzininis pjūklas yra paruoštas naudojimui. (27)

Šiltas variklis

Darykite tą patį, kaip ir užvesdami šaltą variklį, bet nenaudokite sklendės. Nustatykite droselį į užvedimo padėtį ištraukdami mėlyną sklendės valdiklį į atidarytą padėtį ir įstumdami atgal. (24)



PERSPĖJIMAS! Ilgą laiką įkvepiant variklio išmetamąsias dujas, grandinės tepalo dūmus ir smulkias pjūvenų dalelytes, gali kilti pavojus sveikatai.

- Niekada nejunkite grandininio pjūklo, kol juosta, pjūklo grandinė ir visi dangteliai nėra patikimai priveržti. Žr. nuorodas Surinkimas. Be juostos ir grandinės ant motorinio pjūklo sankaba gali atsilaisvinti ir rimtai sužeisti. (28)
- Užvedant motorinį pjūklą grandinės stabdys turi būti įjungtas. Žr. nuorodas skyrelyje „Užvedimas ir išjungimas“. Niekada neveskite motorinio pjūklo laikydami jį ore. Šis metodas labai pavojingas, nes lengva prarasti motorinio pjūklo kontrolę. (29)
- Niekada nejunkite įrenginio patalpoje. Variklio išmetamosios dujos gali būti pavojingos.
- Prieš užvesdami pjovimo įrangą, visada apsidarykite ir įsitinkinkite, ar ji nesužeis kitų netoliese esančių žmonių ar gyvulių.
- Motorinį pjūklą visada laikykite abiem rankomis. Dešinę ranką laikykite ant galinės rankenos, o kairę ranką – ant priekinės rankenos. **Visi naudotojai, tiek dešiniarankiai, tiek kairiarankiai, turi taip daryti.** Tvirtai suimkite, kad nykščiai ir kiti pirštai apimtų motorinio pjūklo rankenas. (30)

Išjungimas

Išjunkite variklį paspausdami išjungimo mygtuką. (31)

Prieš kiekvieną naudojimą: (32)

- 1 Patikrinkite, ar grandinės stabdys veikia gerai ir nėra pažeistas.
- 2 Patikrinkite, ar galinis dešiniosios rankos apsauginis skydas nėra pažeistas.
- 3 Patikrinkite, ar akseleratoriaus gaiduko užraktas veikia gerai ir nėra pažeistas.
- 4 Patikrinkite, ar išjungimo kontaktas gerai veikia ir nėra pažeistas.
- 5 Patikrinkite, ar visos rankenėlės nėra tepaluotos.
- 6 Patikrinkite, ar antivibracinė sistema veikia ir nėra pažeista.
- 7 Patikrinkite, ar duslintuvas yra saugiai pritvirtintas ir nėra pažeistas.
- 8 Patikrinkite, ar grandininio pjūklo visos dalys yra priveržtos ir nėra pažeistos.
- 9 Patikrinkite, ar grandinės laikiklis yra vietoje ir nėra pažeistas.
- 10 Patikrinkite grandinės įtempimą.

Bendrosios darbo instrukcijos

SVARBU!

Šiame skyrelyje aprašomos esminės saugaus darbo grandininio pjūklo taisyklės. Pateikta informacija niekada nepakeičia tų žinių ir praktinės patirties, kurią turi profesionalas. Jei tam tikroje situacijoje pasijutote nesaugiai, užbaikite darbą ir kreipkitės pagalbos į ekspertą. Kreipkitės į grandininio pjūklo parduotuvę, aptarnavimo dirbtuves arba patyrusį grandininio pjūklo naudotoją. Nesistenkite atlikti darbo, kuriam nesate pakankamai kvalifikuotas!

Prieš pradėdami naudoti grandininį pjūklą, turite suprasti, kas yra atatranks smūgis ir kas jį gali sąlygoti. Žr. nuorodas Kaip išvengti atatranks smūgių.

Prieš naudodami grandininį pjūklą, turite suvokti skirtumą tarp pjovimo viršutine ir apatine ašies briauna. Žr. nuorodas skyrelyuose „Atatranks smūgio išvengimo priemonės“ ir „Įrenginio apsauginės dalys“.

Naudokite asmenines saugumo priemones. Žr. nuorodas Asmeninės saugumo priemonės.

Esminės saugumo taisyklės

- 1 Apsidairykite aplink:

 - Ar šalia nėra žmonių, gyvulių ar kt., kas galėtų trukdyti jūsų darbui šiuo įrenginiu.
 - Ar niekas neprieis artyn darbo metu, ar verčiamas medis nieko neužgaus ir nesužeis.

PASTABA! Laikykitės aukščiausių paminėtų reikalavimų, tačiau venkite naudoti grandininį pjūklą, jei netoliese nėra žmonių, kuriuos galėtumėte pakviesti į pagalbą, ištikus nelaimėi.

- 2 Nenaudokite pjūklo blogu oru. Pavyzdžiui, esant tirštam rūkui, smarkiai lyjant, pučiant stipriam vėjui, per didelius šalčius ir t. t. Darbas per šalčius vargina, be to, dažnai padidina rizikos faktorius, pvz., apledėjusi žemė, nenuspėjama medžio kritimo kryptis ir pan.
- 3 Būkite labai atsargūs, kai genite smulkias šakas, ypač, jei vienu metu pjaunate kelias, venkite pjauti krūmus. Grandinė gali pagriebti nedidelės šakelės, sviesti į jus tiesiai į jus ir rimtai sužeisti.
- 4 Apžiūrėkite, ar jūsų darbo vietoje nėra kliūčių. Pavyzdžiui, išsikūsiusių šaknų, akmenų, šakų, griovių, jei kartais tektų

greitai pasitraukti. Labai atsargiai dirbkite ant stačių šlaitų.

- 5 Ypač atsargus būkite pjaunant įsitempusius medžius. Įtemptas medis gali netikėtai sugrįžti į pirmine padėtį prieš ar po pjovimo. Jei Jūs stovėsite iš neteisingos pusės ir netinkamai parinksite pjovimo vietą, atšokdamas medis gali kliudyti Jus ar įrenginį taip, kad Jūs neteksite pusiausvyros. Abiem atvejais galite sunkiai susižeisti.
- 6 Transportuodami, visada išjunkite variklį ir grandinės stabdžiu užblokuokite grandinę. Grandininį pjūklą neškite atgal atsukta juosta ir grandine. Nešdami pjūklą, visada ant grandinės uždėkite apsaugą.
- 7 Motorinį pjūklą padėję ant žemės, užfiksuokite pjūklo grandinę grandinės stabdžiu ir stebėkite įrenginį. Ilgiau laikant, variklį reikia išjungti.



PERSPĖJIMAS! Kartais atplaišos įstringa sankabos gaubte, todėl grandinė užsikerta. Prieš valydami visada išjunkite variklį.

Esminės taisyklės

- 1 Jei jūs suprantate, kas yra atatranks smūgis ir kaip jis įvyksta, galite sumažinti ar net visai pašalinti netikėtumo faktorių. Būdami pasirošę, sumažinsite pavojų. Dažniausiai atatranks jėga yra maža, tačiau kartais ji gali būti staigi, stipri ir netik.
- 2 Visada tvirtai laikykite grandininį pjūklą už rankenų – dešine ranka už užpakalinės ir kaire ranka už priekinės. Pirštai ir nykščiai tvirtai apimkite rankeną. Imkite pjūklą taip, kaip nurodyta, nesvarbu, ar jūs dešiniarankis, ar kairiarankis. Toks laikymas sumažina atatranks pavojų ir leidžia jums efektyviausiai kontroliuoti grandininį pjūklą. **Nepaleiskite rankenų!**
- 3 Dauguma nelaimių dėl atatranks kyla genint šakas. Visada tvirtai stovėkite, apžiūrėkite, kad po kojomis nebūtų daiktų, galinčių sutrikdyti jūsų pusiausvyrą. Atatranks smūgis bus stipresnis ir pavojingesnis, jei, atatranks zona netyčia palietus šaką, greitimas esantį net ar kojų nors kitą daiktą, jūs būsite nesuskubaęs. Kontroliuokite apdorojamąją detalę. Jei pjaunamos detalės yra mažos ir lengvos, jos gali užstrigti grandinėje ir klijudyti Jus. Nors tai nebūtinai turi būti pavojinga, tačiau Jūs galite nustebei ir prarasti pjūklo kontrolę. Niekada nepjunkite sukrautų rąstų – pirmiausiai juos reikia nusikelti ir tvarkingai susidėti. Vienu metu pjaukite tik vieną rąstą arba detalę. Patraukite nupjautas detales, kad darbo vieta būtų saugi.
- 4 **Niekada nekelkite grandininio pjūklo aukščiau pečių juostos ir stenkitės nepjauti pačia juostos viršūne. Niekada nelaikykite grandininio pjūklo viena ranka! (33)**
- 5 Norint visiškai valdyti grandininį pjūklą, reikia stovėti tvirtai. Niekada nedirbkite stovėdami ant kopėčių, lipei į medį ar neturėdami po kojomis tvirto pagrindo. **(34)**
- 6 Visada pjaukite, paleidę grandinę suktais didžiausiu greičiu.
- 7 Būkite ypač atsargūs, kai pjaunate juostos viršutinę briauna, t.y. kai daiktą pjaunate iš apačios. Tokiu atveju jūs pjaunate atgal besisukancija grandine. Grandinė stumia grandininį pjūklą atgal link naudotojo. Jei pjūklo grandinė įstringa, motorinį pjūklą gali atmesti atgal Jūsų link.
- 8 Nors naudotojas kontroliuoja grandininio pjūklo stūmimo atgal jėgą, gali atsitikti taip, kad grandininis pjūklas

pajudės atgal tiek, kad atatranks zona palies pjaunamą objektą, ir tuo metu galite tikėtis atatranks smūgio. (35)

Pjovimas apatine ašies briauna, t.y. iš viršaus žemyn, vadinamas pjovimu pirmyn besisukančia grandine. Taip pjaunant, grandininis pjūklas pats stumiasi pirmyn link pjaunamo objekto, o grandininio pjūklo priekinė korpuso dalis natūraliai tampa atrama nuo kamieno. Pjovimas iš viršaus leidžia geriau kontroluoti grandininį pjūklą ir atatranks zonas padėti.

- 9 Laikykitės pjūklo galandymo ir priežiūros instrukcijų. Kai keičiate juostą ir grandinę, naudokite tik mūsų rekomenduojamus derinius. Žr. nuorodas Pjovimo įranga ir Techniniai duomenys.

Pagrindinė pjovimo technika



PERSPĖJIMAS! Niekada nenaudokite motorinio pjūklo laikydami jį viena ranka. Viena ranka valdyti motorinį pjūklą yra nesaugu. Visada laikykite tvirtai suėmę rankenas abiem rankomis.

Bendri principai

- Pjudami visada laikykite iki galo nuspaustą akseleratorių!
- Atleiskite akseleratorių iki laisvos eigos po kiekvieno pjūvio (ilgalakis variklio darbas pilnu pajėgumu gali jam rimtai pakenkti).
- Pjovimas iš viršaus = Pjovimas traukiančia grandine.
- Pjovimas iš apačios = Pjovimas stumiančia grandine.

Pjovimas "stumiančia" grandine padidina atatranks smūgių pavojų. Žr. nuorodas Kaip išvengti atatranks smūgių.

Terminai

Pjovimas = Bendras terminas medžio pjovimui apibūdinati.

Genėjimas = Nuversto medžio šakų apipjaustymas.

Lūžis = Kai objektas, kurį jūs pjaunate, ilūžta ar įskyla nebaigus pjauti.

Prieš pjudami atkreipkite dėmesį į penkis labai svarbius faktorius:

- 1 Apžiūrėkite, ar pjaunant neužstrigs juosta.
- 2 Įsitikinkite, ar nėra pavojaus, jog rąstas lūš.
- 3 Apžiūrėkite, ar grandinė pjovimo metu ar po to nekludys žemės ir kito daikto.
- 4 Ar nėra atatranks smūgio pavojaus?
- 5 Ar darbo vieta gali turėti kokį nors neigiamą poveikį jūsų saugumui?

Ar neužstrigs grandinė ir nesulūš rąstas, apsprendžia du faktoriai: kaip rąstas remiasi ir ar kurioje nors jo vietoje yra susidaręs tempimas.

Daugelyje atvejų jūs galite išvengti šių problemų, darydami du pjūvius – iš rąsto viršaus ir apačios. Paremkite rąstą taip, kad jis neužspaustų grandinės ir pjovimo metu nelūžtų.

SVARBU! Jei pjaunant rąstas suspaudžia grandinę, sustabdykite variklį! Nesistenkite jėga ištraukti grandininio pjūklo. Jei tai darysite, galite susižeisti pats, kai grandininis pjūklas staiga išsilaisvina. Sverto pagalba praskėskite pjovimo vietą ir išlaisvinkite

Toliau aprašoma, ką daryti daugelyje situacijų, pasitaikančių naudojant grandininį pjūklą.

Genėjimas

Genėdami storas šakas, laikykitės bendrų pjovimo principų.

Sudėtingos formos šakas pjaukite dalimis.

Pjovimas



PERSPĖJIMAS! Niekada nebandykite pjauti netvarkingai sukrautų rąstų ar kai jie yra arti vienas kito. Priešingu atveju labai padidėja atatranks smūgio pavojus, todėl galima labai rimtai ar lemtingai susižeisti.

Jei rąstai yra netvarkingai sukrauti į krūvą, kiekvienas rąstas, kurį norite pjauti, turi būti paimamas iš tos krūvos, padedamas ant ožio malkoms pjauti ar atramos ir atskirai pjaunamas.

Patraukite nupjautas detales iš darbo vietos. Jei paliksite jas darbo vietoje, padidės atatranks smūgio pavojus dėl klaidos bei pavojus prarasti pusiausvyrą dirbujantis.

Rąstas guli ant žemės. Grandinės įstrigimo ir rąsto lūžimo pavojus nedidelis. Būkite atsargūs, kad, baigus pjauti, grandinė nepaliestų žemės.

Visą rąstą perpjaukite iš viršaus žemyn. Baigę pjauti, pasistenkite nepaliesi žemės. Dirbkite maksimaliomis apsuksomis, tačiau būkite pasiruošę, jei grandinė staiga į ką nors atsimušų. (36)

Jei rąstą galima apversti, įpjaukite du jo trečdalius (2/3).

Apverskite rąstą taip, kad užbaigtumte pjauti likusį trečdalį iš kitos pusės.

Rąstas yra paremtas tik iš vienos pusės. Jis gali greitai lūžti.

Pradėkite jį pjauti iš apačios (maždaug 1/3 rąsto skersmens). Baikite pjauti iš viršaus, taikydami į pradėtą pjūvį.

Kai rąstas paremtas iš abiejų galų. Jis gali suspausti grandinę.

Pradėkite jį pjauti iš viršaus (maždaug 1/3 rąsto skersmens). Baikite pjauti iš apačios, taikydami į pradėtą pjūvį.

Medžių leidimo technika

SVARBU! Medžių leidimas reikalauja didelės patirties. Nepatyręs grandininio pjūklo naudotojas neturėtų imtis šio darbo. Niekada nesistenkite atlikti darbo, jei nemanote esantis tam kvalifikuotas!

Saugus atstumas

Saugus atstumas tarp norimo nuleisti medžio ir aplink dirbančių žmonių turi būti (2,5) karto didesnis už medžio aukštį. Žiūrėkite, kad leidimo metu nieko nebūtų "pavojojimo zonoje". (37)

Nuleidimo kryptis

Jūsų tikslas yra nuleisti medį tokia kryptimi, kad paskui būtų patogų genėti šakas ir jį pjaustyti. Medis turi nuvirsti ant žemės, kad apie jį būtų galima saugiai vaikščioti ir dirbti.

Jei išsirinkote norimą leidimo kryptį, belieka įvertinti, kuria kryptimi medis kristų savaime.

Tam įtakos gali turėti keli faktoriai:

- Medžio pasvirimas
- Medžio išlinkimas
- Vėjo kryptis
- Vainiko forma
- Sniego danga
- Kliūtys, esančios medžio darbinio spindulio zonoje, pvz.: kiti medžiai, jėgos kabeliai, keliai ir pastatai.

- Atkreipkite dėmesį į kamieno pažeidimus ir trūnius – medis gali pradėti kristi Jums to nesitikint.

Kartais gali paašškėti, kad teks medį nuleisti jo natūralaus kritimo kryptimi, nes būtų neįmanoma ar pavojinga stengtis jį nuleisti kryptimi, apie kurią galvojote anksčiau.

Atidžiai apžiūrėkite, ar medis neturi pažeistų ar nudžiūvusių šakų, tačiau šis faktorius neturi įtakos medžio leidimo kryptčiai, bet daug reiškia jūsų saugumui, nes medžiui krentant, nudžiūvusios šakos gali nulūžti ir jus sužeisti.

Svarbiausia neleisti medžiui atsiremti į kitą stovintį medį. Įstrigusį medį labai sunku ištraukti, ir toks darbas yra labai pavojingas. Blogai nukritusio medžio atveju žiūrėkite instrukcijas, nurodytas skyrelyje "Išlaisvinimas".

SVARBU! Kai leidžiate medžius, tik baigę pjauti iš karto nusiimkite ausines, kad galėtumėte girdėti garsus ir įspėjamuosius signalus.

Kamieno nuvalymas ir atsitraukimo kelio paruošimas

Kamieną nugenėkite iki pečių aukščio. Saugiausia dirbti nuo viršaus žemyn, kad kamienas būtų tarp Jūsų ir motorinio pjūklo.

Palaisvinkite kamieną nuo augalų ir patikrinkite, kad po kojomis nebūtų didelių akmenų, šakų, duobių, t.y. objektų, kurie gali trukdyti jums pasitraukti, kai medis pradės svirti. Jūs turėtumėte paruošti maždaug 135° kampo atsitraukimo kelią priešingoje nu (38)

- 1 Rizikos zona
- 2 Atsitraukimo kelias
- 3 Nuleidimo krypttis

Nuleidimas



PERSPĖJIMAS! Jei nesate pakankamai kvalifikuotas naudotojas, mes nerekomenduojame nuleidinėti medžių, kurių kamieno skersmuo didesnis už juostos ilgį!

Nuleidžiama trijų pjūvių pagalba. Pirmiausia padarykite nukreipiamąjį pjūvį, kurį sudaro viršutinis ir apatinis pjūviai, po to nuleidžiamąjį pjūvį. Jei šiuos tris pjūvius padarysite teisingai, galėsite lengvai kontroliuoti medžio leidimo kryptį.

Nukreipiamasis pjūvis

Nukreipiamąjį pjūvį pradėkite nuo viršutinio pjūvio. Atsistokite dešinėje medžio pusėje ir kampu įpjaukite kamieną.

Po to padarykite apatinį pjūvį taip, kad jis baigtųsi ten, kur baigiasi viršutinis pjūvis. (39)

Nukreipiamojo pjūvio gylis turi būti 1/4 kamieno storio, ir kampas tarp viršutinio ir apatinio pjūvių turi būti 45°.

Linija, kur susikerta pirmieji du pjūviai, vadinama nukreipiamąja pjovimo linija. Ši linija turi būti horizontali ir statmena (90°) planuojamai nuleidimo kryptčiai. (40)

Nuleidžiamasis pjūvis

Nuleidžiamasis pjūvis daromas priešingoje kamieno pusėje ir turi būti horizontalus. Atsistokite kairėje kamieno pusėje ir pjaukite apatine juostos briauna.

Nuleidžiamasis pjūvis turėtų būti 3–5 cm (1,5–2 coliais) aukščiau už nukreipiamojo pjūvio plokštumą.

Įstatykite buferį (jei yra pritaisytas) už lūžimo juostos. Iki galo nuspauskite akseleratorių ir juostą su besisukančia grandine iš lėto stumkite link kamieno centro. Stebėkite, ar medis nepradedą svirti į priešingą pusę jūsų numatomi nuleidimo

kryptčiai. Tik įpjovę kamieną iki reikiamo gylio, į pjūvą įkalkite pleišną. (41)

Pabaikite nuleidžiamąjį pjūvį lygiagrečiai nukreipiamajai pjūvio linijai taip, kad atstumas tarp dviejų linijų turi būti ne mažesnis negu 1/10 kamieno skersmens. Likusi nenupjauta kamieno dalis vadinama lūžimo juosta.

Lūžimo juosta atlieka vyrių, kurie kontroliuoja medžio nuleidimo kryptį, vaidmenį. (42)

Jei paliksite per siaurą lūžimo juostą arba neteisingoje vietoje padarysite pjūvius, nebegalėsite efektyviai kontroliuoti nuleidimo krypties.

Jei nuleidžiamasis ir nukreipiamasis pjūviai padaryti teisingai, medis turi pradėti svirti nuo savo paties svorio arba nuleidžiamojo pleišno pagalba.

Jei juostos ilgis yra didesnis nei medžio kamieno skersmuo, naudotojams mes rekomenduojame nuleidžiamąjį ir nukreipiamąjį įpjovimus atikti vadinamoju „paprastu pjūviu“. Žr. nuorodas skyrelyje „Techniniai duomenys“ dėl informacijos apie Jūsų motorinio pjūklo modeliui rekomenduojamą juostos ilgį.

Yra būdų nuleisti medžius, kurių skersmuo didesnis už pjūklo juostos ilgį. Tačiau šie būdai pavojingi, nes labiau rizikuojate, nes juostos atatrąkos zona gali prisiliesti prie pjaunamo kamieno.

Nesėkmingai nuleistų medžių tvarkymas

"Pakibusio" medžio nuleidimas

Įstrigusį medį labai sunku ištraukti, ir toks darbas yra labai pavojingas.

Niekada nebandykite pjauti medžio, ant kurio yra nukritęs kitas medis.

Niekada nedirbkite pakibusio medžio pavojaus zonoje. Saugiausia tokiu atveju naudoti suktuvą.

- Kabinamą prie traktoriaus
- Rankinį

Medžių ir šakų įtemptu paviršiumi pjovimas

Pasiruošimas: Nustatykite, į kurią pusę lenksis medis ar šaka pašalinus kliūtį, ir kurioje vietoje yra natūralus lūžimo taškas (t.y. vieta, kuroje medis ar šaka lūžtų, jei ją dar daugiau palenktumėte).

Nustatykite, kaip saugiausiai galima pašalinti įtempimo šaltinį, ir ar jūs tai galite saugiai padaryti. Sudėtingose situacijose geriausia padėti grandininį pjūklą į šalį ir naudoti suktuvą.

Bendri patarimai:

Atsistokite taip, kad lūžtanti ar atspalaiduojanti šaka jūsų nekliudytų.

Įpjaukite vieną ar kelis kartus netoli lūžimo taško. Padarykite tiek įpjovų įvairiose vietose, kiek reikia tam, kad maksimaliai būtų sumažinta įtempimo jėga, ir po to laužkite kamieną ar šaką per lūžimo tašką.

Niekada tiesiai nepjaukite įtempto medžio ar šakos!

Jei jums reikia perpjauti medį / šaką, padarykite du ar tris 3–5 cm gylio įpjovimus, tarp kurių būtų 3 cm tarpai.

Stenkitės pjauti giliau, kol pranyks medžio / šakos susukimas ir įtempimas.

Dingus įtempimui, medį / šaką pjaukite iš priešingos pusės.

Kaip išvengti atatrancos smūgių



PERSPĖJIMAS! Atatrancos smūgiai būna labai netikėti, staigūs ir stiprūs, ir grandinės sukimosi jėga gali atmeti grandininį pjūklą, ašį bei grandinę naudotojo link. Smarkiai besisukanti grandinė gali rimtai ir net lemtingai sužeisti. Todėl ypač svarbu, kad jūs suprastumėte, kas gali sukelti atatrancos smūgius, kurių galite išvengti atsargiai ir teisingai dirbdami.

Kas yra atatrancos smūgis?

Išsireiškimas atatrancos smūgis reiškia staigų grandininio pjūklo atmetimą atgal, kas gali atsitikti, kai priekinė viršutinė juostos dalis, vadinama atatrancos zona, kliudo kojį nors objekta. (43)

Atatrancos smūgio galima tikėtis tik pjūklo eksploatacijos metu. Paprastai grandininis pjūklas ir juosta atmetami atgal ir į viršų link žmogaus. Tačiau atatrancos kryptis gali būti įvairi, priklausomai nuo to, kaip buvo laikomas grandininis pjūklas, kai atatrancos zona kliudė kojį nors daiktą.

Atatrancos smūgis įmanomas tik atatrancos zona palietus kojį nors objekta. (44)

Genėjimas



PERSPĖJIMAS! Dauguma nelaimių dėl atatrancos smūgių atsitinka genėjant. Nenaudokite juostos atatrancos smūgio pavojaus zonoje. Būkite labai atsargūs ir stenkitės, kad juostos galas neliestų kamieno, kitų šakų ar daiktų. Ypač būkite atidūs su įtemptomis šakomis. Jos gali spyruokliuoti atgal į Jus, todėl galite prarasti kontrolę ir rimtai susižeisti.

Apžiūrėkite, ar jūsų darbo vietoje ant žemės nėra kliūčių! Prie kamieno priekite iš kairės pusės. Grandininį pjūklą laikykite arti savęs, kad galėtumėte jį efektyviai valdyti. Jei įmanoma, pjūklo korpusą įremkite į kamieną.

Eidami išilgai kamieno, grandininį pjūklą laikykite kitoje kamieno pusėje.

Kamieno supjaustymas į rąstus

Žr. nuorodas Pagrindinė pjovimo technika.

Bendri principai

Naudotojas gali atlikti tik tokius priežiūros ir techninio aptarnavimo darbus, kurie aprašyti šiose naudojimosi instrukcijose. Labiau sudėtingesnius darbus turi atlikti licencijuotos techninio aptarnavimo dirbtuvės.

Karbiuratoriaus reguliavimas

Jūsų Jonsered produktas suprojektuotas ir pagamintas laikantis specifikacijų, kurios sumažina kenksmingų išmetamųjų dujų kiekį.

Veikimas

- Karbiuratorius reguliuoja variklio greitį akseleratoriaus pagalba. Karbiuratoriuje kuras sumaišomas su oru. Kuro ir

oro mišinį galima reguliuoti. Tik teisingas nustatymas leidžia pasiekti maksimalų įrenginio darbo našumą.

- Varžtas T reguliuoja laisvosios eigos apsakas. Jeigu varžtą T sukisite pagal laikrodžio rodyklę, laisvieji apsisukimai didės, jei prieš laikrodžio rodyklę – mažės.

Pagrindiniai nustatymai ir įsibėgėjimas

Išbandant gamykloje, karbiuratorius yra sureguliuojamas. Tikslų sureguliuojamą turi atlikti apmokytas, patyręs asmuo. Rekomenduojamas laisvos eigos sukčių skaičius: Žr. skyrių Techniniai duomenys.

Galutinis laisvos eigos T greičio sureguliuojimas

Laisvos eigos greitį reguliuokite varžtu T. Jei reikia reguliuoti iš naujo, pirmiausiai laisvosios eigos varžtą T pasukite pagal laikrodžio rodyklę, kol grandinė vėl pradės sukstis. Tada sukite varžtą prieš laikrodžio rodyklę, kol grandinė sustos. Laisvosios eigos greitis bus teisingai sureguliuotas tuomet, kai variklis veiks tolygiai bet kokioje padėtyje, o kai grandinė ims sukstis, turėtų būti pasiektas didelis variklio apsisukimų per minutę skaičius.



PERSPĖJIMAS! Kreipkitės į remonto dirbtuves, jei laisvosios eigos apsisukimų nepavyks sureguliuoti taip, kad grandinė sustotų. Nenaudokite grandininio pjūklo, kol jis nebus tinkamai sureguliuotas ar pataisytas.

Grandininio pjūklo apsauginių dalių kontrolė, priežiūra ir taisymas

Pasižymėkite! Įrenginio techninė priežiūra reikalauja specialaus pasirengimo. Tai ypač liečia įrenginio apsaugines dalis. Jei įrenginys neatitiks nors vieno iš toliau pateiktų kontrolės reikalavimų, kreipkitės į techninės priežiūros dirbtuves. Visas kitas šioje instrukcijoje neaprašytas priežiūros funkcijas turi atlikti kvalifikuotas meistras (pardavėjas).

Prieš remonto arba priežiūros darbus išjunkite variklį ir ištraukite uždegimo laidą

Grandinės stabdis ir mechaninio saugiklio svertas

Stabdžio juostos nusidėvėjimo kontrolė

Nuvalykite pjūvenas ir kitus nešvarumus nuo grandinės stabdžio ir sankabos būgno. Dulkės ir apnašos gali susilpninti stabdymo funkciją. (45)

Nuolat tikrinkite, ar stabdžio juosta yra bent 0.6 mm storio labiausiai nusidėvėjusioje vietoje.

Patikrinkite mechaninio saugiklio svertą

Patikrinkinkite, ar mechaninio saugiklio svertas nėra įskilęs, įtrūkęs ar kitaip pažeistas.

Pajudinkite saugiklio svertą pirmyn ir atgal norėdami patikrinti, ar jis slankioja lengvai ir yra tvirtai priveržtas prie movos dangčio. (46)

Automatinio stabdžio kontrolė

Motorinį pjūklą laikykite išjungę variklį ant kelmo ar kito stabilaus pagrindo. Atleiskite priekinę rankeną, o motoriniam pjūklui, besisukančiam aplink galinę rankeną, leiskite nusvirtti savo jėga kamieno link.

Kai grandinė palies kelmą, stabdis turi automatiškai įsijungti. (47)

Stabdžio veikimo kontrolė

Užveskite grandininį pjūklą ir padėkite jį ant stabiliaus pagrindo. Patikrinkite, ar grandinė neliečia pagrindo ar kokio kito daikto. Žr. nuorodas įjungimas ir išjungimas.

Tvirtai rankomis paimkite grandininį pjūklą už abiejų rankenų.

Stipriai spustelkite akseleratorių ir aktyvuokite grandinės stabdį pasukdami kairės rankos riešą link mechaninio saugiklio svarto. Nepaleiskite priekinės rankenos. **Grandinė turi akimirksniu sustoti.**

Akseleratoriaus gaiduko blokatorius

- Patikrinkite, ar laisvoje eigoje akseleratorius yra užblokuotas, o akseleratoriaus gaiduko blokatorius yra savo pirminėje padėtyje.
- Paspauskite gaiduko blokatorių ir patikrinkite, ar jis gįžta į pirminę padėtį, kai jį atleidžiate.
- Patikrinkite, ar akseleratorius ir jo gaiduko blokatorius laisvai junginėjasi, ir ar gerai veikia jų spyruoklių sistema.
- Užveskite grandininį pjūklą ir stipriai spūstelkite akseleratorių. Paleiskite akseleratorių ir patikrinkite, ar grandinė sustoja ir daugiau neesisuka. Jei grandinė sukasi laisvoje eigoje, patikrinkite karbiuratoriaus laisvos eigos sureguliuvimą.

Grandinės laikiklis

Patikrinkite, kad grandinės laikiklis būtų neįskilęs ir tvirtai priveržtas prie grandininio pjūklo korpuso.

Dešinėsios rankos apsauginis skydas

Patikrinkite, ar dešinėsios rankos apsauginis skydas neturi matomų defektų, pvz., nėra įtrūkęs.

Antivibracinė sistema

Reguliariai tikrinkite antivibracinės sistemos detales: jos turi būti nepažeistos ir nedeformuotos.

Patikrinkite, ar antivibracinės sistemos detalės yra gerai pritvirtintos prie variklio ir rankenų.

Stop mygtukas

Užveskite variklį ir patikrinkite, ar jis sustoja nuspaudus stop mygtuką.

Duslintuvas

Niekada nenaudokite įrenginio su netvarkingu duslintuvu. Reguliariai tikrinkite, ar duslintuvas yra saugiai pritvirtintas prie įrenginio.

Pasižymėkite: Kibirkščių gesintuvo tinklas (A) įrenginyje gali būti pakeičiamas nauju. **(48)** Pažeistą tinklą reikia pakeisti. Jei tinklas bus nevalytas ir užsikimšęs, įrenginys perkais, o tai savo ruožtu gali sugadinti cilindrą ir stūmoklį. Niekada nenaudokite įrenginio sulūžusiu ar užsikimšusiu tinkleliu. **Niekada nenaudokite duslintuvo, jei pametėte ar sugadinote kibirkščių sulaikymo tinklą.**

Paprastam namų vartotojui kibirkščių gesintuvo tinklas ir garso slopintuvas gali būti ir nekeičiamas.

Oro filtras

Oro filtras turi būti reguliariai valomas nuo dulkių ir purvo, siekiant išvengti:

- Karbiuratoriaus veikimo sutrikimų
- Užvedimo problemų
- Galingumo sumažėjimo
- Bereikalingo variklio detalių dėvėjimosi
- Per didelio kuro sunaudojimo.
- Oro filtras (3) išmontuojamas, kai cilindro dangtis, varžtas (1) ir oro filtro dangtis (2) yra nuimti. Montuojant svarbu užtikrinti, kad oro filtras tiksliai susijungtų su filtro laikikliu. Išpurtykite arba šepetėliu nuvalykite filtrą. **(49)**

Filtras išsivalys geriau, jei išplausite jį vandeniu ir muilu.

Ilgiau naudotas oro filtras pilnai nebeišvalo. Todėl jį reikia reguliariai pakeisti nauju. **Pažeistas oro filtras turi būti iš karto pakeičiamas.**

Žvakė

Žvakės veikimui įtakos turi:

- Neteisingai sureguliuotas karbiuratorius.
- Netinkamas kuro mišinys (per daug ar ne tos rūšies alyva).
- Nešvarus oro filtras.

Dėl šių priežasčių ant žvakės elektrodų susidaro apnašos, kurios sąlygoja veikimo sutrikimus ir problemas užvedimo metu.

Jeigu įrenginys neturi galios, sunku jį užvesti ar jis trūkčioja paleistas laisva eiga, visada pirmiausiai patikrinkite žvakę. Jeigu žvakė nešvari, išvalykite ją ir patikrinkite tarpelį tarp elektrodų, kuris turi būti 0,5 mm. Žvakę reikia pakeisti maždaug po mėnesio darbo arba dar anksčiau. **(50)**

Pasižymėkite! Visada naudokite rekomenduojamo tipo žvakes! Netinkamo tipo žvakė gali smarkiai sugadinti stūmoklį ir cilindrą. Žiūrėkite, ar žvakė turi taip vadinamą radijo trukdžių slopinimą.

Priežiūros grafikas

Žemiau pateiktas įrenginio priežiūros darbų sąrašas. Daugelis punktų yra aprašyti skyrelyje "Priežiūra".

Kiekvieną dieną (kas 5–10 val.)	Kiekvieną savaitę (kas 10–25 val.)	Kiekvieną mėnesį (kas 25–40 val.)
Išvalykite įrenginį išoriškai.	Patikrinkite starterį, jo trosą ir atmetamąjį spyruoklę.	Tikrinkite grandinės stabdžio juostos susidėvėjimo laipsnį. Pakeiskite, jei labiausiai susidėvėjusioje vietoje lieka mažiau nei 0,6 mm.
Patikrinkite, ar saugiai veikia akseleratoriaus gaidukas. Akseleratoriaus gaiduko blokatorius ir akseleratoriaus gaidukas.)	Patikrinkite, ar nenusidėvėjusios ir neįtrūkusios antivibracinės sistemos detalės.	Patikrinkite sankabos veleno, būgnelio ir spyruoklės nusidėvėjimą.
Išvalykite grandinės stabdį ir, kaip nurodyta šioje instrukcijoje, patikrinkite jo veikimą. Patikrinkite, ar nesulūžęs grandinės laikiklis, sulūžusį laikiklį pakeiskite.	Ant pjovimo juostos briaunų susidariusius nelygumus pašalinkite juos dilde.	Išvalykite žvakę. Patikrinkite, tarpelis tarp elektrodų yra 0,5 mm.
Apverskite pjovimo juostą, kad ji lygiau dėvėtųsi. Patikrinkite, ar neužsikimšusi juostos sutepimo skylė. Išvalykite juostos griovelį. Jei juostos priekinėje dalyje yra žvaigždutė, sutepkite ją.	Išvalykite karbiuratorių ir jo apsaugines detales.	Išvalykite karbiuratorių išoriškai.
Patikrinkite, ar gerai tepama juosta ir grandinė.	Išvalykite oro filtrą. Jei reikia, pakeiskite.	Patikrinkite kuro filtrą ir žarną. Jei reikia, pakeiskite.
Patikrinkite pjūklo grandinę dėl matomų įtrūkimų kniedėse ir nareliuose, ar pjūklo grandinė nėra stangri, o kniedės ir nareliai per daug susidėvėję. Jei reikia, pakeiskite.		Ištuštinkite kuro bakelį ir išvalykite vidų.
Pagaląskite grandinę, patikrinkite jos įtempimą ir nusidėvėjimą. Patikrinkite, ar nėra nusidėvėjusi grandinės vedančioji žvaigždutė, o jei reikia, pakeiskite.		Ištuštinkite alyvos bakelį ir išvalykite vidų.
Išvalykite starterio oro paėmimo angos groteles.		Patikrinkite visus laidus ir jungtis.
Patikrinkite, ar veržlės ir varžtai yra priveržti.		
Patikrinkite, ar veikia stop mygtukas.		
Patikrinkite, ar nėra kuro nutekėjimo iš variklio, bako ar kuro žarnelių.		

Techniniai duomenys

	CS 2234	CS 2238
Variklis		
Cilindro tūris, cm ³	38	38
Stūmoklio eiga, mm	32	32
Laisvosios eigos apsisukimai, aps./min	3000	3000
Galingumas, kW	1,4/9000	1,5/9000
Degimo sistema		
Žvakė	Champion RCJ 7Y	Champion RCJ 7Y
Tarpas tarp elektrodų, mm	0,5	0,5
Kuro / tepimo sistema		
Benzino bakelio tūris, litrai	0,3	0,3
Alyvos siurblio našumas, kai apsisukimai 8500 r/min, ml/min	7	7
Alyvos bako talpa, litrai	0,19	0,19
Alyvos siurblio tipas	Automatinis	Automatinis
Svoris		
Grandinės pjūklas be pjovimo juostos, grandinės ir tuščiais kuro bakais, kg	4,7	4,7
Triukšmo emisijos (žr. 1 pastabą)		
Garso stiprumo lygis, išmatuotas dB(A)	115	115
Garso stiprumo lygis, garantuotas L _{WA} dB(A)	118	118
Garso lygiai (žr. 2 pastabą)		
Tolygus garso spaudimo naudotojo ausiai lygis, dB(A)	100,6	100,6
Ekvivalentiški vibracijos lygiai, a_{hveq} (žr. 3 pastabą)		
Priekinėje rankenoje, m/s ²	3,7	3,7
Užpakalinėje rankenoje, m/s ²	5,1	5,1
Grandinė/pjovimo juosta		
Standartinis juostos ilgis, coliai/cm	14/35, 16/40	14/35, 16/40
Rekomenduojamas juostos ilgis, coliai/cm	14/35, 16/40	14/35, 16/40
Vartojamas pjovimo ilgis, coliai/cm	13,5/34, 15,5/39	13,5/34, 15,5/39
Žingsnis, coliai/mm	3/8 / 9,52	3/8 / 9,52
Varančiosios grandies storis, coliai/mm	0,050/1,3	0,050/1,3
Varančiosios žvaigždutės tipas / dantų skaičius	6	6
Maksimalus grandinės greitis, m/sek.	17,1	17,1

1 pastaba: Triukšmo emisija į aplinką išmatuota kaip garso stiprumas (L_{WA}) pagal EB direktyvą 2000/14/EG.


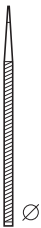
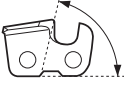
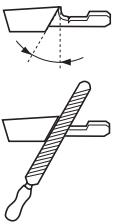

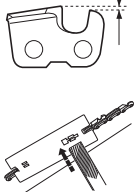
2 pastaba: Pagal ISO 22868 ekvivalentiškas triukšmo slėgio lygis apskaičiuojamas kaip skirtingų triukšmo slėgio lygių įvairiomis darbo sąlygomis dinaminės svertinės energijos suma. Tipiška ekvivalentiško triukšmo slėgio lygio statistinė sklaida turi standartinį 1 dB (A) nuokrypį.

3 pastaba: Pagal ISO 22867 ekvivalentiškas vibracijos lygis apskaičiuojamas kaip vibracijos lygių įvairiomis darbo sąlygomis dinaminės svertinės energijos suma. Pateiktas ekvivalentiškos vibracijos lygis turi 1 m/s² tipišką statistinę sklaidą (standartinį nuokrypį).

Pjovimo juostų ir grandinių deriniai

Šie pjovimo įtaisai yra skirti šiems Jonsered modeliams: CS 2234 ir CS 2238.

Juosta				Pjūklo grandinė	
Ilgis, coliai	Žingsnis, coliai	Įpjovos plotis, mm	Maksimalus juostos žvaigždutės dantukų skaičius	Tipas	Ilgis, varantieji nareliai (vnt.)
14	3/8	1,3	7T	Jonsered H37	52
16	3/8		7T		56
18	3/8		7T		62

					
H37	5/32/4,0	80°	30°	0°	0.025/0,65

EB patvirtinimas dėl atitikimo

(galioja tik Europoje)

Husqvarna, SE-561 82 Huskvarna, Švedija, tel: +46-36-146500, šiuo patvirtina, kad 2009 m. bei vėlesnių serijų numerių grandininiai pjūklai **Jonsered CS 2234 ir CS 2238** (metai nurodomi aiškiu tekstu ant tipo plokštelės, po to nurodomas serijos numeris) atitinka taisyklės TARYBOS DIREKTYVOJE:

- Direktyva **2006/42/EB** (2006 m. gegužės 17 d.), "Dėl mašinų"
- 2004 m. gruodžio 15 d. "dėl elektromagnetinio atitikimo" **2004/108/EEC**.
- 2000 m. gegužės 8 d. "dėl triukšmo emisijos į aplinką" **2000/14/EG**.

Dėl informacijos apie triukšmo emisijas žr. skyrių Techniniai duomenys. Pritaikyti šie standartai: **EN ISO 12100-2:2003**, **CISPR 12:2001**, **EN ISO 11681-1:2004**

Užklausta tarnyba: **0404, SMP Svensk Maskinprovning AB**, Fyrisborgsgatan 3, SE-754 50 Uppsala, Švedija, atliko EB tipo kontrolę pagal mašinų direktyvos (2006/42/EG) 12 straipsnio 3bparagrafą. Pažymos dėl EB tipo kontrolės pagal IX priedą numeris: **0404/09/2048**.

Be to, SMP Svensk Maskinprovning AB, Fyrisborgsgatan 3, SE-754 50 Uppsala, Švedija, patvirtino susitarimą priedu V tarybos direktyvai 2000 m. gegužės 8 d. "dėl triukšmo emisijos į aplinką" 2000/14/EB. Sertifikatų numeriai: **26/161/003** - CS 2234, **26/161/004** - CS 2238.

Pristatytas grandininis pjūklas atitinka EB tipo kontrolę praėjusį pavyzdį.

Huskvarna, 2009 m. gruodžio 29 d.



Ronnie E. Goldman, Technikos direktorius, (Įgaliotas Husqvarna AB atstovas ir atsakingas už techninę dokumentaciją.)

Poštovani kupče!

Čestitamo na vašem izboru Jonsered proizvoda.

Uvjereni smo da ćete s velikim zadovoljstvom cijeniti kvalitetu i izvedbu našeg proizvoda kroz veoma dugi period. Kupovina jednog od naših proizvoda omogućava vam pristup profesionalnoj pomoći te popravcima i servisima kad god je potrebno. Ako prodavač koji vam je prodao stroj nije jedan od naših ovlaštenih trgovaca, zatražite adresu najbližeg ovlaštenog servisa.

Nadamo se da ćete biti zadovoljni svojim strojem te da će vam on biti partner u nizu godina koje su pred vama. Ovaj Korisnički priručnik je vrijedan dokument. Postupanje prema uputstvima (uporaba, servis, održavanje, itd.) može značajno produžiti vijek trajanja stroja, te čak i povećati njegovu prodajnu vrijednost. Ako prodate stroj, obavezno predajte Korisnički priručnik novom vlasniku.

Želimo vam uspjeh prilikom korištenja Jonsered proizvoda!

Jonsered uvijek radi na tome da sve više razvije svoje proizvode i pridržava se prava što se tiče promjena kao što su n.pr. oblik i izgled bez prethodne obavijesti.

Znakovi na stroju:

UPOZORENJE! Motorne pile mogu biti opasne! Nepažljiva ili neispravna uporaba može uzrokovati ozbiljne, pa čak i smrtonosne posljedice osobi koja rukuje s njom ili nekome od prisutnih.

Pažljivo pročitajte priručnik i dobro shvatite sadržaj prije rukovanja strojem.

Uvijek upotrijebite:

- Odobren šljem
- Odobrenu zaštitu protiv buke
- Zaštitne naočale ili vizir

Ovaj proizvod se podudara sa važećim EZ uputama.

Stvaranje buke prema okuženju prema EC uputi. Jačina buke stroja se navodi u poglavlju Tehnički podaci kao i na naljepnici.

Prilikom rada s motornom pilom, držite pilu s obje ruke.

Ne koristite motornu pilu držeći je jednom rukom.

Vrh vodilice ne smije doći u dodir s bilo kojim predmetom.

UPOZORENJE! Kontakt vodilice s nekim predmetom može prouzročiti povratni trzaj i odbaciti vodilicu nagore i unatrag prema korisniku. To može prouzročiti ozbiljne tjelesne ozljede.

Kočnica lanca, aktivirana (lijevo)
Kočnica lanca, neaktivirana (desno)



Ostali simboli/naljepnice koji su navedeni na stroju važe za specifične zahtjeve certifikata izvjesnih tržišta.

Što je što na motornoj pili? (1)

1	Oznaka s obavijestima i upozorenjima
2	Poklopac cilindra
3	Pumpica za gorivo
4	Ručica za paljenje
5	Regulator čoka/Gumb za gas
6	Glavni prekidač (Prekidač paljenja.)
7	Stražnja ručka
8	Spremnik goriva
9	Vijak za podešavanje, rasplinjač
10	Naprava za paljenje
11	Spremište za ulje za lanac
12	Natpisna pločica s brojem proizvoda i serijskim brojem
13	Lokot za gas (Sprečava neželjen rad regulatora gasa.)
14	Prednja ručka
15	Štit za prednju ruku
16	Prigušivač
17	Mač pile
18	Kotač na vrhu mača
19	Lanac pile
20	Naslonjača kore
21	Hvatač lanca
22	Vijak za zatezanje lanca
23	Poklopac spojke
24	Stražnja drška sa štitnikom za desnu ruku
25	Regulator gasa
26	Priručnik
27	Kombi ključ
28	Štitnik za lanac

Sadržaj

UVOD

Poštovani kupče!	339
Znakovi na stroju:	339
Što je što na motornoj pili?	340

SADRŽAJ

Sadržaj	340
---------------	-----

OPĆENITA PRAVILA ZA SIGURNOST NA RADU

Mjere prije korištenja nove motorne pile	341
Važno	341
Zdrav razum treba prevladati	341
Osobna zaštitna oprema	342
Sigurnosna oprema stroja	342
Oprema za rezanje	343

SASTAVLJANJE

Sastavljanje mača i lanca	346
---------------------------------	-----

UKLOPNIJE

Gorivo	347
Punjenje goriva	347
Sigurnost pri rukovanju s gorivom	347

UKLJUČIVANJE I ISKLJUČIVANJE

Uključivanje i isključivanje	348
------------------------------------	-----

PRINCIP RADA

Prije svake upotrebe:	349
Općenite upute za rad	349
Kako da izbjegnute trzaj	352

ODRŽAVANJE

Općenito	352
Podešavanje rasplinjača	352
Provjera, održavanje i servisiranje sigurnosne opreme motorne pile	352
Prigušivač	353
Filter za zrak	353
Svjećica	353
Raspored održavanja	354

TEHNIČKI PODACI

Tehnički podaci	355
Kombinacije lanca i mača	356
EC–uvjerenje o podudaranju	356

Mjere prije korištenja nove motorne pile

- Pažljivo pročitajte upute.
- (1) – (50) pogledajte slike na str. 2–5.
- Provjerite da li je naprava za rezanje pravilno sastavljena i podešena. Pogledajte uputstva pod naslovom Sastavljanje.
- Napunite i pokrenite motornu pilu. Pogledajte upute pod naslovima Gorivo i Pokretanje i zaustavljanje
- Nemojte koristiti pilu ukoliko nije dovoljno ulja za lanac docurilo na lanac. Pogledajte uputstva pod naslovom Podmazivanje opreme za rezanje.
- Dugotrajno izlaganje buci može uzročiti trajne ozljede sluha. Zato upotrijebljivajte stalno odobrene naušnice za zaštitu sluha.



UPOZORENJE! Ni u kojem slučaju ne smijete mijenjati originalni dizajn stroja bez da ste prethodno zatražili odobrenje od proizvođača. Uvijek koristite originalne rezervne dijelove. Neovlaštene promjene i/ili dodatni pribor mogu rezultirati ozbiljnim povredama ili čak smrću vozača ili drugih.



UPOZORENJE! Motorna pila je opasan alat, ukoliko se koristi nepažljivo ili neispravno i može uzrokovati ozbiljne, pa čak i smrtonosne povrede. Veoma je važno da pažljivo pročitate i dobro razumijete sadržaj ovog priručnika.



UPOZORENJE! Unutarnjost ispušnog lonca sadrži kemikalije koje mogu biti kancerogene. Izbjegavajte dodir elementima u slučaju oštećenog ispušnog lonca.



UPOZORENJE! Dugotrajno udisanje ispušnih plinova iz motora, pare od ulja za lance kao i prašine od piljevine može dovesti do rizika po zdravlje.



UPOZORENJE! Tijekom rada uređaj stvara elektromagnetsko polje. To polje u nekim slučajevima može ometati aktivne ili pasivne medicinske implantate. Radi smanjenja rizika od teških ili smrtonosnih ozljeda preporučujemo da se osobe s medicinskim implantatima posavjetuju s liječnikom i proizvođačem implantata prije rukovanja uređajem.

Važno

VAŽNO!

Stroj je namijenjen isključivo za sječu drva.

Koristite samo preporučene kombinacije vodilice/lanca navedene u odjeljku Tehničke karakteristike.

Nikada ne koristite stroj kada ste umorni, nakon konzumacije alkoholnih pića ili uzimanja lijekova koji mogu utjecati na vaš vid, rasuđivanje ili koordinaciju.

Nosite osobnu zaštitnu opremu. Pogledajte uputstva pod naslovom Osobna zaštitna oprema.

Nikada ne izmjenjujte originalni dizajn stroja i ne koristite stroj kada vam se čini da je izmijenjen od strane bilo koje osobe.

Nikada nemojte koristiti stroj koji je neispravan. Izvršavajte redovne provjere, održavanje i servis kao što je opisano u ovom priručniku. Neke od radnji održavanja i servisiranja može jedino izvesti kvalificirani stručnjak. Pogledajte uputstva pod naslovom Održavanje.

Nikada nemojte koristiti dodatnu opremu koja nije preporučena u ovom priručniku. Pogledajte uputstva pod naslovom Oprema za rezanje i Tehnički podaci.

PAŽNJA! Uvijek koristite zaštitne naočale ili vizir kako biste smanjili rizik od ozljeđivanja izbačenim predmetima.

Motorna pila može velikom snagom izbaciti predmete kao što su strugotine, komadići drveta, itd. Ovo može prouzročiti ozbiljne ozljede, posebice ozljede očiju.



UPOZORENJE! Upotreba motora u zatvorenoj ili loše prozračenoj prostoriji može dovesti do smrtnog slučaja uzrokovanog gušenjem ili trovanjem ugljenmonoksidom.



UPOZORENJE! Neispravna rezna oprema ili pogrešna kombinacija vodilice i lanca povećava rizik od povratnog trzaja! Koristite samo preporučene kombinacije vodilice/lanca i postupajte u skladu s uputama o brušenju. Pogledajte odjeljak Tehničke karakteristike.

Zdrav razum treba prevladati (2)

Nije moguće obuhvatiti sve situacije s kojima se možete susresti prilikom rada s motornom pilom. Postupajte oprezno i slijedite zdrav razum. Izbjegavajte sve situacije izvan vaših sposobnosti. Ukoliko se i nakon čitanja ovih uputa osjećate nesigurni u pogledu radnih postupaka, obratite se stručnoj osobi prije nastavka. Za sva pitanja o korištenju motorne pile, obratite se lokalnom zastupniku. Rado ćemo vam pomoći i posavjetovati vas kako biste motornu pilu koristili na najučinkovitiji i najsigurniji način. Ukoliko je moguće, uključite se u tečaj o uporabi motornih pila. Vaš zastupnik, šumarska škola ili knjižnica mogu vam ponuditi obavijesti o raspoloživim materijalima i tečajevima za obuku. Neprestano radimo na usavršavanju dizajna i tehnologije – nastojeći poboljšati vašu sigurnost i učinkovitost. Redovito kontaktirajte ovlaštenog zastupnika kako biste saznali možete li iskoristiti prednosti novih značajki naših proizvoda.

Osobna zaštitna oprema



UPOZORENJE! Većina nezgoda s lančanom pilom dogodi se kada lanac dotakne korisnika. Pri svakoj upotrebi stroja će se samo propisana osobna zaštitna oprema upotrijebiti. Osobna zaštitna oprema ne eliminiše rizik na ozljedu ali smanjuje posljedice ako se ozljeda dogodi. Zamolite prodavača motornih pila da vam pomogne izabrati opremu.

- Odobren šljem
- Zaštita protiv buke
- Zaštitne naočale ili vizir
- Rukavice sa zaštitom od pile
- Hlače sa zaštitom od pile
- Čizme sa zaštitom od pile, čeličnim špicom i neklizećim potplatom
- Uvijek imajte kutiju za prvu pomoć pri ruci.
- Vatrogasni aparat i lopata

Odjeca treba biti pripijena ali bez da Vas sputava u kretanju.

VAŽNO! Iz prigušivača, vodilice i lanca ili drugog izvora mogu izlaziti iskre. Uvijek držite pri ruci opremu za gašenje požara. Na taj način možete spriječiti šumske požare.

Sigurnosna oprema stroja

U ovom odjeljku objašnjene su sigurnosne značajke i funkcije stroja. Za upute o provjeri i održavanju, pogledajte odjeljak Provjera, održavanje i servisiranje sigurnosne opreme motorne pile. Za položaj određenih dijelova na stroju, pogledajte odjeljak "Što je što".

Životni vijek stroja se može skratiti a opasnost od nezgoda povećati ako se održavanje stroja ne vrši na pravi način i ako se opravke ne vrše stručno. Ako trebate dodatna obavještenja, potražite savjet kod najbliže radionice za popravke.



UPOZORENJE! Nikada ne koristite stroj s oštećenim dijelovima sigurnosne opreme. Sigurnosna oprema mora biti redovito provjeravana i održavana. Za upute o provjeri i održavanju, pogledajte odjeljke Provjera, održavanje i servisiranje sigurnosne opreme motorne pile. Ukoliko stroj ne položi sve provjere odnesite ga u ovlašteni servis na popravak.

Kočnica za lanac i prednji štit za ruke

Vaša motorna pila opremljena je s kočnicom lanca koja će zaustaviti lanac u slučaju povratnog trzaja. Kočnica lanca smanjuje rizik od nezgoda, međutim samo vi ih možete spriječiti. Budite oprezni prilikom uporabe i nastojte da područje trzaja nikad ne dotakne neki predmet.

- Kočnica lanca (A) je moguće uključiti ručno (lijevom rukom) ili putem inercijskog otpusnog mehanizma. (3)

- Kočnica se aktivira kada je prednji štit za ruke (B) gurne u naprijed. (3)
- Ta kretanja aktivira mehanizam nategnut oprugom koji nateže traku kočnice (C) oko pogonskog sistema motora (D) (bubanj spojke). (4)
- Prednji štit za ruke nije napravljen samo da bi aktivirao kočnicu za lanac. Vrlo važna sigurnosna mjera je i to da štit sprečava to da Vas lanac udari po lijevoj ruci ukoliko isпустite prednju ručku.
- Kočnica lanca mora biti uključena prilikom pokretanja pile kako bi se spriječilo okretanje lanca.
- Kočnicu lanca koristite kao "parkirnu kočnicu" prilikom pokretanja pile ili rada na malim udaljenostima, kako biste spriječili nezgode u slučaju kada postoji opasnost da lanac nehotice pogodi osobe ili predmete u blizini.
- Da biste otpustili kočnicu za lanac, potegnite prednji štit za ruke prema natrag, prema prednjoj ručki.
- Trzaj može biti veoma iznenađan i snažan. Većina trzaja su slabiji i ne aktiviraju uvijek kočnicu za lanac. Ukoliko se to dogodi, Vi biste trebali držati motornu pilu vrlo čvrsto i ne ispuštiti je.
- Način na koji je kočnica za lanac aktivirana, bilo ručno ili automatski, ovisi o snazi trzaja i položaju motorne pile u odnosu na predmet koji je udaren trzajnom zonom mača. Ukoliko do povratnog trzaja dođe kada je područje trzaja najudaljenije od vas, kočnicu lanca će uključiti povratna sila (uključenje inercijom) u smjeru povratnog trzaja. Ukoliko je trzaj slabiji ili ako se trzajna zona mače nalazi bliže Vas, kočnicu za lanac ćete aktivirati ručno, pokretom lijeve ruke.
- U položaju za obaranje stabala, lijeva ruka je položena tako da ručno pokretanje kočnice lanca nije moguće. Kada je lijeva ruka položena tako da nema učinka na kretanje prednjeg štitnika za ruke, kočnicu lanca moguće je uključiti samo inercijom.

Hoće li moja ruka uvijek uključiti kočnicu lanca u slučaju povratnog trzaja?

Ne. Za kretanje štitnika protiv povratnog trzaja unaprijed potrebna je specifična sila. Ukoliko rukom samo lagano dodirnete štitnik ili samo skliznete preko njega, sila ne mora biti dovoljno jaka za otpuštanje kočnice lanca. Čvrsto držite dršku pile prilikom rada. Ukoliko to učinite i dođe do povratnog trzaja, možda nećete izvuci ruku iz prednje drške niti uključiti kočnicu lanca, ili se kočnica lanca možda neće uključiti do trenutka kada se pila okrene. U takvoj situaciji, kočnica lanca ne mora zaustaviti lanac prije nego vas isti udari.

U određenim radnim okolnostima, vaša ruka možda ne može dosegnuti štitnik protiv povratnog trzaja kako biste uključili kočnicu; npr. kada je pila u položaju za obaranje stabala.

Hoće li inercija uvijek uključiti kočnicu lanca prilikom povratnog trzaja?

Ne. Kočnica prvo mora biti ispravna. Za upute o provjeri kočnice, pogledajte odjeljke Provjera, održavanje i servisiranje sigurnosne opreme motorne pile. Preporučena je provjera prije svake smjene. Osim toga, povratni trzaj mora biti dovoljno snažan za uključivanje kočnice lanca. Preosjetljiva kočnica lanca prestano bi se uključivala, što bi prouzročilo poteškoće.

Hoće li me kočnica lanca uvijek zaštititi od ozljeda u slučaju povratnog trzaja?

Ne. Za optimalnu zaštitu, kočnica mora biti ispravna. Potom, mora biti uključena na gore opisani način kako bi zaustavila lanac u slučaju povratnog trzaja. Osim toga, čak i kada je kočnica lanca uključena, a vodilica jako blizu vas, može se dogoditi da kočnica ne uspije usporiti i zaustaviti lanac prije nego vas pila udari.

Povratni trzaj i povezane rizike možete spriječiti samo vi uz korištenje ispravnih tehnika rada.

Gumb za gas

Blokada okidača gasa je namijenjena za sprječavanje slučajnog pokretanja gasa. Kada pritisnete blokadu (A) (tj. kada uhvatite dršku) otpustit će se kontrola gasa (B). Kada otpustite dršku, kontrola gasa i blokada okidača gasa će se vratiti u početni položaj. Na taj način, gas je automatski blokiran kod rada u praznom hodu. (5)

Hvatač lanca

Hvatač lanca je napravljen tako da uhvati lanac ukoliko isti pukne ili odskoči. To se ne bi smjelo dogoditi ako je lanac ispravno nategnut (pogledajte uputstva pod naslovom Sastavljanje) i ako su mač i lanac ispravno servisirani i održavani (pogledajte uputstva pod naslovom Općenite upute za rad).

Štit desne ruke

Osim što štiti Vašu ruku u slučaju da lanac odskoči ili pukne, štit desne ruke sprečava da Vas grančice i šiblje ometaju pri držanju stražnje ručke.

Sistem za smanjivanje vibracija

Vaš stroj je opremljen sa sistemom za smanjivanje vibracija čija je svrha da umanjí vibracije i olakša rad.

Strojev sistem za smanjivanje vibracija, smanjuje vibracije koje se od motora i lanca kreću prema ručkama stroja. Tijelo motorne pile, uključujući i opremu za rezanje, je odvojeno od ručki napravama za smanjivanje vibracija.

Rezanje tvrdog drveta (većina bjelogorice) uzrokuje jače vibracije nego rezanje mekog drveta (većina crnogorice). Rezanje lancem koji je tup ili neispravan (krive vrste ili loše nabrušen) povećat će vibracije.



UPOZORENJE! Prevelika izloženost vibracijama može prouzročiti oštećenja cirkulacije ili nervnog sustava kod osoba s lošom cirkulacijom. Kada osjetite simptome prevelike izloženosti vibracijama, obratite se liječniku. Ti simptomi uključuju umrtvljenost, gubitak osjeta, trnce, bockanje, bol, gubitak snage, promjene u boji i stanju kože. Simptomi se najčešće pojavljuju na prstima, rukama ili zglobovima. Niske temperature mogu pojačati simptome.

Glavni prekidač

Koristite glavni prekidač da biste isključili motor.

Prigušivač

Prigušivač služi za smanjenje razine buke i usmjeravanje ispušnih para dalje od korisnika.



UPOZORENJE! Ispušne pare iz motora su vruće i mogu sadržavati iskre koje mogu izazvati požar. Nikada nemojte upaliti stroj u zatvorenoj prostoriji ili blizu zapaljivog materijala!

U područjima s vrućom i suhom klimom, postoji opasnost od šumskih požara. Mjerodavno pravo i propisi u tim zemljama mogu zahtijevati uporabu "mreže za iskre" (A) na prigušivaču. (6)



PAŽNJA! Prigušivač se jako ugrije prilikom rada i nakon zaustavljanja. Isto se događa i kod rada u praznom hodu. Obratite pozornost na opasnost od požara, posebice prilikom rada u blizini zapaljivih tvari i/ili plinova.



UPOZORENJE! Nikada ne koristite motornu pilu kada je prigušivač neispravan ili nedostaje. Neispravni prigušivač može znatno povećati razinu buke i rizik od požara. Vatrozaštitna oprema treba uvijek biti nadohvat ruke. Nikada ne koristite motornu pilu kada je mreža za iskre neispravna ili nedostaje, a ako je njeno korištenje obvezno u vašem području rada.

Oprema za rezanje

Ovo poglavlje opisuje kako da odaberete i održavate vašu opremu za rezanje kako biste:

- Smanjili strojevu opasnost od trzaja.
- Umanjili rizik od loma ili poskakivanja lanca.
- Ostvarite optimalne radne rezultate.
- Produžili trajanje opreme za rezanje.
- Izbjegavajte povećanje razina vibriranja.

Osnovna pravila

- **Koristite samo opremu za rezanje koju smo Vam mi preporučili!** Pogledajte odjeljak Tehničke karakteristike.
- **Održavajte zupce za rezanje na lancu oštrim!** Slijedite naša uputstva i koristite preporučenu vrstu turpije. Oštećeni ili loše naoštreni lanac povećava opasnost od nezgoda.
- **Održavajte ispravan razmak reznog alata!** Slijedite navedene upute i koristite preporučeni mjerac razmaka. Preveliki razmak povećava rizik od povratnog trzaja.
- **Neka lanac uvijek bude ispravno nategnut!** Ukoliko je lanac labav, lakše će iskočiti ili uzrokovati pretjerano trošenje mača, lanca i pogonskog kotača.
- **Oprema za rezanje uvijek mora biti dobro podmazana i održavana!** Lanac koji nije dobro podmazan će puknuti i uzrokovati pretjerano trošenje mača, lanca i pogonskog kotača.

Rezna oprema je oblikovana za minimiziranje povratnog trzaja



UPOZORENJE! Neispravna rezna oprema ili pogrešna kombinacija vodilice i lanca povećava rizik od povratnog trzaja! Koristite samo preporučene kombinacije vodilice/lanca i postupajte u skladu s uputama o brušenju. Pogledajte odjeljak Tehničke karakteristike.

Jedini način da izbjegnute trzaj je taj da osigurate da područje trzaja nikad ništa ne dodiruje.

Koristeći opremu za rezanje sa "ugrađenom" zaštitom protiv trzaja i održavanjem lanca tako da je oštar, moći ćete smanjiti učinak trzaja.

Mač

Što je manji promjer vrha to je manji rizik od povratnog trzaja.

Lanac pile

Lanac pile je napravljen od više karika kojih ima standardnih i onih sa redukcijom trzaja.

VAŽNO! Niti jedan lanac ne može u potpunosti eliminirati rizik od povratnog trzaja.



UPOZORENJE! **Bilo kakav kontakt s pokretnim lancem pile može prouzročiti ozbiljne ozljede.**

Neki od izraza koji opisuju mač i lanac

Za održanje svih sigurnosnih značajki rezne opreme, zamijenite pohabane i oštećene kombinacije vodilice/lanca dijelovima koje je preporučila Jonsered. Za obavijesti o preporučenim kombinacijama vodilica/lanca pogledajte odjeljak Tehničke karakteristike.

Mač

- Dužina (col/cm)
- Broj zubaca na vrhu kotača mača (T).
- Razmak lanca (=pitch) (col). Razmak između pokretajućih karika lanca mora odgovarati razmaku između zubaca na kotaču vrhu mača i pogonskih karika.
- Broj pogonskih karika (kom.). Broj pogonskih karika je određen dužinom mača, razmacima u lancu i brojem zubaca na kotaču na vrhu mača.
- Širina ureza na maču (col/mm). Urez na poluzi mora odgovarati širini pogonskih karika na lancu.
- Otvor za ulje na lančanoj pili otvor za natezač lanca. Mač mora odgovarati dizajnu motorne pile.

Lanac pile

- Razmak lančane pile (=pitch) (col)
- Širina pogonskih karika (mm/col)
- Broj pogonskih karika (kom.)

Oštrenje lanca i podešavanje razmaka reznog alata



UPOZORENJE! Tijekom rada s lancem uvijek nosite rukavice kako biste izbjegli ozljede ruku.

Općenita uputstva o brušenju reznih zubaca

- Nikada ne koristite tupi lanac. Kod tupog lanca trebate koristiti jaču silu za prolazak vodilice kroz drvo, a rezovi će biti jako mali. Jako tupi lanac neće stvarati nikakve rezove. Jedini rezultat bit će drveni prah.
- Oštri lanac prolazi kroz drvo i stvara dugačke i debele rezove.
- Rezni dio lanca se naziva rezna karika i sastoji se od reznog zuba (A) i reznog ruba (B). Dubina rezanja ovisi o razlici u visini ovih dijelova. (7)

Prilikom oštrenja reznog zuba potrebno je obratiti pozor na četiri važna elementa.

- 1 Ugao turpijanja
- 2 Rezni ugao
- 3 Položaj turpije
- 4 Prečnik okrugle turpije

Teško je ispravno naoštiti lanac bez pravilne opreme. Preporučena je uporaba našeg mjerača dubine utora. Time ćete postići maksimalno smanjenje povratnog trzaja i optimalne radne rezultate.

Za obavijesti o oštrenju lanca, pogledajte odjeljak Tehničke karakteristike.



UPOZORENJE! Odstupanje od uputa o oštrenju znatno povećava rizik od povratnog trzaja.

Oštrenje reznog zupca

Za oštrenje reznih zubaca koristite okruglu turpiju i mjerač dubine utora. Za obavijesti o preporučenim veličinama turpije i mjerača utora za vaš lanac, pogledajte upute iz odjeljka Tehničke karakteristike.

- Provjerite da li je lanac ispravno zategnut. Nedovoljno zategnut lanac je nestabilan u bočnom položaju što otežava propisno naoštrenje.
- Uvijek turpijajte rezne zupce sa unutrašnje strane. Smanjite pritisak pri povratnom potezu. Prvo isturpijajte sve zupce na jednoj strani, zatim okrenite motornu pilu i isturpijajte zupce sa druge strane.
- Isturpijajte sve zupce na istu dužinu. Kada se dužina reznog zupca smanji na 4 mm (0,16") lanac je istrošen i treba ga zamijeniti. (8)

Opći savjet za podešavanje razmaka reznog alata

- Prilikom oštrenja reznih zubaca, smanjujete razmak reznog alata (dubina rezanja). Za optimalne rezultate, morate isturpijati zupce reznog alata na preporučenu visinu. Za podešavanje razmaka reznog alata za vaš model lanca, pogledajte upute iz odjeljka Tehničke karakteristike.



UPOZORENJE! Preveliki razmak reznog alata povećava rizik od povratnog trzaja!

Podešavanje razmaka reznog alata

- Rezni zupci trebaju biti naoštreni prije podešavanja razmaka reznog alata. Preporučeno je podešavanje razmaka reznog alata nakon svakog trećeg oštrenja lanca. **POZOR!** Ova preporuka pretpostavlja da duljina reznih zubaca nije pretjerano smanjena.
- Za podešavanje razmaka reznog alata treba vam ravna turpija i mjerlač dubine utora. Preporučena je uporaba našeg mjerčaća dubine utora, kako biste dobili ispravan razmak reznog alata i ispravan kut reznog ruba.
- Namjestite mjerčać dubine utora iznad lanca pile. Obavijesti o uporabi mjerčaća navedene su na pakiranju. Koristite plošnatu turpiju za uklanjanje viška isturenog dijela reznog ruba. Razmak reznog alata je ispravan kada više ne postoji otpor prilikom povlačenja turpije preko mjerčaća.

Zatezanje lanca



UPOZORENJE! Labav lanac može iskočiti što može dovesti do teških i po život opasnih povreda.



UPOZORENJE! Uvijek nosite odobrene zaštitne rukavice. Lanac koji miruje također može prouzročiti ozbiljne ozljede korisnika ili drugih osoba koje imaju pristup lancu.

Što duže koristite lanac, to on postaje duži. Zato je važno da redovno podešavate lanac kako bi smanjili labavost.

Provjerite nategnutost lanca svaki puta kada budete dodavali gorivo. **PAŽNJA!** Nova motorna pila ima probni period za vrijeme kojega treba češće provjeriti nategnutost.

Nategnite lanac što je više moguće ali ne tako jako da ga ne biste mogli rukom lako povući oko. **(9)**

- Otпустите матице мача које држе поклопак spojke i kočnicu lanca. Koristite kombi ključ. Nakon toga zavrnite matice rukom što više možete. **(10)**
- Podignite vrh mača i nategnite lanac tako da, koristeći kombi ključ, zavrnete vijak za natezanje lanca. Zategnite lanac dok ne počne labavo visiti na donjoj stani mača. **(11)**
- Koristite kombi ključ kako biste zavrnuli matice na maču i istovremeno podignite vrh mača. Provjerite da li možete rukom povući lanac bez zastoja i da nije labav s donje strane mača. **(12)**

Podmazivanje opreme za rezanje



UPOZORENJE! Loše podmazana oprema za rezanje može dovesti do pucanja lanca a to može uzrokovati ozbiljne, čak i po život opasne, povrede.

Ulje za lanac

Ulje za lanac na motornoj pili mora dobro prijanjati za lanac i biti tečno bez obzira da li je vrijeme ljetno i vruće ili se radi o vrlo hladnoj zimi.

Kao proizvođač motornih pila mi smo proizveli optimalno ulje za lanac koje se, s obzirom da je na biljnoj bazi, razgrađuje u prirodi. Mi Vam predlažemo da koristite naše vlastito ulje kako biste osigurali maksimalnu trajnost lanca i minimalnu štetu

okoliš. Ukoliko Vam naše ulje nije dostupno, koristite standardno ulje za lanac.

Nikada ne upotrebljavajte izlivenu naftu! Ovo predstavlja opasnost za vas, vaš stroj i okoliš.

VAŽNO! Prilikom uporabe biljnog ulja za pile, rasklopite i očistite utore na vodilici i lancu prije dugotrajne pohrane. U protivnom, postoji rizik od oksidacije ulja, što će prouzročiti ukrućivanje lanca i zaglavljivanje lančanika na vrhu vodilice.

Dodavanje ulja za lanac

- Sve naše motorne pile imaju sistem automatskog podmazivanja lanaca. Na nekim modelima prtok ulja se isto može podesiti.
- Spremnici za ulje i gorivo motorne pile oblikovani su tako da goriva nestane prije ulja.

Međutim, ova sigurnosna značajka zahtijeva uporabu pravilne vrste ulja (jako rijetko ulje će se potrošiti prije goriva), kao i podešavanje rasplinjača na preporučeni način (slaba mješavina može značiti da gorivo traje dulje od ulja). Trebali biste također koristiti preporučenu reznu opremu (predugačka vodilica će koristiti više ulja za lance).

Provjera podmazivanja lanca

- Provjerite podmazivanje lanca prilikom svakog punjenja goriva. Pogledajte obavijesti u odjeljku Podmazivanje vrha vodilice.
Usmjeri vrh pile prema površini svjetle boje koja je udaljena oko 20 cm (8 col). Nakon što ste pilu imali uključenu 1 minutu sa 3/4 gasa trebali biste vidjeti jasnu traku ulja na svjetloj površini.

Ukoliko podmazivanje lanca ne radi:

- Provjerite da li je kanal za ulje u maču nečime začepljen. Očistite po potrebi.
- Provjerite da li je urez na rubu mača čist. Očistite po potrebi.
- Provjerite da li se kotač na vrhu mača slobodno okreće i da li je otvor na vrhu s nečim začepljen. Očistite i podmažite po potrebi.

Ukoliko sistem podmazivanja lanca i dalje ne radi nakon što se obavili sve gore navedene provjere, obratite se svom serviseru.

Kotač koji pokreće lanac

Bubanj spojke ima grebenasti lančanik (lančanik lanca zavaren je na bubanj).

Redovno provjeravajte stupanj istrošenosti na pogonskom kotaču. Zamijenite ga ako je previše istrošen. Zamijenite pogonski kotač svaki puta kada mijenjate lanac.

Provjera istrošenosti na opremi za rezanje

Provjerite lanac pile svakodnevno i obratite pažnju na slijedeće:

- Vidljive pukotine na zakovicama i karikama.
- Nesavitljivost lanca.
- Istrošenost zakovica i karika.
- Zamijenite lanac ukoliko pokazuje bilo koji od gore navedenih simptoma.

Preporučamo Vam da usporidite postojeći lanac s novim lancem kako biste vidjeli koliko je istrošen.

Kada se rezni zupci istroše do 4 mm visine, vrijeme je da se lanac zamijeni.

Mač

Redovno provjeravajte:

- Jesu li rubovi na vanjskoj strani mača neravni. Uklonite s turpijom po potrebi. **(13A)**
- Da li je urez na maču postao istrošen. Zamijenite mač ako je potrebno. **(13B)**
- Da li je vrh mača neravan ili istrošen. Ukoliko se pojavila rupa na jednoj strani vrha mača to znači da je lanac bio nedovoljno zategnut.
- Preokrenite mač svakodnevno kako biste produžili njegovu trajnost.



UPOZORENJE! Većina nezgoda s lančanom pilom dogodi se kada lanac dotakne korisnika.

Nosite osobnu zaštitnu opremu. Pogledajte uputstva pod naslovom Osobna zaštitna oprema.

Nemojte raditi nešto u što niste sigurni. Pogledajte uputstva pod naslovom Osobna zaštitna oprema, Kako da izbjegnute trzaj, Oprema za rezanje i Općenite upute za rad.

Izbjegavajte situacije gdje postoji opasnost od trzaja. Pogledajte uputstva pod naslovom Zaštitna oprema stroja.

Upotrijebite preporučenu zaštitnu opremu i provjerite u kojem se stanju nalazi. Pogledajte uputstva pod naslovom Općenite upute za rad.

Provjerite da li su sve sigurnosne mjere motorne pile ispravne. Pogledajte uputstva pod naslovom Općenite upute za rad i Osnovna pravila za sigurnost na radu.

Sastavljanje mača i lanca



UPOZORENJE! Isključite motor prije bilo kakvih postupaka provjere ili održavanja. Zaustavni prekidač automatski se vraća u položaj uključenosti. Kako biste spriječili slučajno pokretanje, morate ukloniti kapicu sa svječiće prilikom sklapanja, provjere i/ili održavanja motora.

Tijekom rada s lancem uvijek nosite rukavice kako biste izbjegli ozljede ruku.

Provjerite da li je kočnica za lanac van pogona tako da pomaknete štitnik prednje ruke prema prednjoj ručki.

Skinite matice s mača i odstranite poklopac kvačila. Skinite prsten za transport. (A) **(14)**

Namjestite mač preko vijaka za mač. Postavite mač u njegov najstražnji položaj. Stavite lanac preko pogonskog kotača i u urez na maču. Počnite s gornje strane mača. **(15)**

Rubovi na reznim karikama moraju gledati prema van na prednjoj strani mača.

Namjestite mač preko spojke (kočnica lanca) i umetnite klin za podešavanje lanca u otvor na vodilici. Provjerite sjedaju li pogonske spone lanca pravilno u pogonski zupčanik te je li lanac pravilno umetnut u otvor vodilice. Prstima pritegnite maticu vodilice. **(16)**

Zategnite lanac koristeći se kombi ključem. Okrenite vijak za podešavanje mača u smjeru kazaljke na satu. Lanac treba zatezati dok ne prestane visiti na donjoj strani mača. Pogledajte upute u odjeljku Zatezanje lanca. **(17)**

Pridržite vrh mača i pritegnite lanac. Lanac je ispravno zategnut tek kada prestane visiti na donjoj strani mača a još uvijek ga se može rukom lako okretati. Držite vrh mača i zavrnite matice na maču sa kombi ključem. **(18)**

Pri montiranju novog lanca, zategnutost lanca treba često kontrolirati, sve dok se lanac ne uhoda. Redovno provjeravajte zategnutost lanca. Ispravno zategnuti lanac bolje reže i duže traje. **(19)**

Sastavljanje naslonjača kore

Za sastavljanje naslonjača kore – stupite u vezu s vašom servisnom radionicom.

Gorivo

Pozor! Stroj je opremljen dvotaktnim motorom i uvijek ga je potrebno pokretati mješavinom benzina i ulja za dvotaktne motore. Važno je točno izmjeriti količinu ulja kako bi se dobila ispravna mješavina. Prilikom miješanja manjih količina goriva, čak i mala odstupanja mogu drastično utjecati na omjer mješavine.



UPOZORENJE! Kod rukovanja gorivom morate osigurati da imate dobru ventilaciju.

Benzin

- Koristite kvalitetan olovni ili bezolovni benzin.
- Najniži preporučeni stupanj oktana je 90 (RON). Ako motor pokrećete na nižem stupnju oktana od 90, može doći do takozvanog detonantnog izgaranja. Time se povećava temperatura motora kao i opterećenje ležaja, što može prouzročiti ozbiljna oštećenja motora.
- Kod neprekidnog rada pri visokom broju obrtaja (naprimjer potkresivanje) preporuča se upotreba benzina s više oktana.

Uhodavanje

Prilikom prvih 10 sati rada, izbjegavajte dulji rad pri velikim brzinama.

Dvotaktno ulje

- Za optimalne rezultate koristite JONSERED ulje za dvotaktne motore, koje je posebno proizvedeno za naše dvotaktne motore sa zračnim hlađenjem.
- Nikada ne koristite ulje za dvotaktne motore za vanjske motore s vodenim hlađenjem, koje se ponekad naziva ulje za vanjske motore (ili TCW).
- Nikada nemojte koristiti ulje za četverotaktne motore.
- Niska kakvoća ulja ili prebogata mješavina ulja/goriva može ugroziti funkciju katalitičkog pretvarača i umanjiti njegov radni vijek.

Omjer mješanja

1:50 (2%) JONSERED uljem za dvotaktne motore.

1:33 (3%) s drugim uljima namijenjenim za dvotaktne motore sa zračnim hlađenjem klasificirane za JASO FB/ISO EGB.

Benzin, lit.	Dvotaktno ulje, lit.	
	2% (1:50)	3% (1:33)
5	0,10	0,15
10	0,20	0,30
15	0,30	0,45
20	0,40	0,60

Mješanje

- Uvijek miješajte benzin i ulje u čistoj posudi namijenjenoj za gorivo.
- Uvijek počnite tako da prvo natočite pola količine benzina kojeg namjeravate koristiti. Nakon toga dodajte cijelu količinu ulja. Promiješajte (protresite) mješavinu. Dodajte preostali benzin.
- Dobro promiješajte (protresite) mješavinu goriva prije uljevanja u spremište za gorivo na stroju.
- Nikada nemojte miješati više od mjesečne potrošnje goriva.

- Ukoliko stroj ne bude bio korišten duže vrijeme, spremište za gorivo bi trebalo isprazniti i očistiti.

Ulje za lanac

- Za podmazivanje je preporučena uporaba specijalnog ulja (ulje za lance) s dobrim značajkama prijanjanja.
- Nikad ne koristite korišteno ulje. To može uzrokovati štetu na pumpi za ulje, maču i lancu.
- Važno je da izaberete ulje koje ima viskoznošću koja odgovara temperaturi zraka.
- Na temperaturama ispod 0°C neka ulja postanu previše ljepljiva. To može pretjerano opteretiti pumpu za ulje i oštetiti djelove pumpe za ulje.
- Obratite se Vašem serviseru za savjet pri izboru ulja za lanac.

Punjenje goriva



UPOZORENJE! Sljedeće mjere opreznosti smanjit će opasnost od požara:

Nemojte pušiti ni postavljati vruće predmete u blizini goriva.

Zaustavite motor i pustite ga da se ohladi nekoliko minuta prije ponovnog punjenja.

Pri punjenju goriva polako otvorite poklopac na spremištu za gorivo tako da se pritisak, ukoliko ga ima, polako smanji.

Pažljivo zavrnite poklopac za spremište za gorivo nakon punjenja.

Prije paljenja stroja uvijek ga odmaknite od područja gdje ste ga napunili gorivom.

Očistite područje oko poklopca za spremište za gorivo. Redovno čistite spremišta za ulje i za gorivo. Filter za gorivo treba mijenjati barem jednom godišnje. Prijavaština u spremištu za gorivo uzrokuje kvarove. Gorivo mora biti dobro promiješano pa zato dobro promućkajte posudu s mješavinom goriva prije nego je stavite u spremište za gorivo. Zapremnine spremišta za ulje i spremišta za gorivo prilagođene su jedna drugoj. Zbog toga treba uvijek puniti ulje za lanac i gorivo u isto vrijeme.



UPOZORENJE! Gorivo i para koja iz njega izlazi su vrlo zapaljivi. Budite oprezni kad radite s gorivom i uljem za lanac. Držite se podalje od plamena i ne udišite pare.

Sigurnost pri rukovanju s gorivom

- Nikada nemojte puniti gorivo u stroj dok radi.
- Bitno je da postoji dobra ventilacija kada puniti ili miješate gorivo (benzin i dvotaktno ulje).
- Odmaknite stroj najmanje 3 metra od mjesta gdje ste ga napunili gorivom, prije nego ga upalite.
- Nikada nemojte paliti stroj ako:
 - 1 Ste prolili gorivo ili ulje za lanac po stroju. Obrišite to što je proliveno i dopustite da ostatak ispari.
 - 2 Ukoliko ste prolili gorivo po sebi ili po Vašoj odjeći, promijenite odjeću. Operite dijelove tijela koji su bili u dodiru sa gorivom. Uporabi sapun i vodu.
 - 3 Ukoliko curi gorivo iz stroja. Redovno provjeravajte da li curi iz čepa za gorivo i cijevi za gorivo.



UPOZORENJE! Nikada ne koristite stroj s vidljivim oštećenjima štitnika svjećeice i kabela za paljenje. Postoji opasnost od iskrenja i požara.

Prijevoz i skladištenje

- Uvijek spremite motornu pilu i gorivo negdje gdje nema iskri ili plamena, npr. strojeva, električnih motora, prekidača, bojlera ili sličnih naprava.
- Gorivo uvijek spremite u posudu koja je specijalno napravljena za tu namjenu.
- Ukoliko mislite pilu spremiti na duže vrijeme ili je transportirati, spremišta za gorivo i ulje trebaju predhodno biti ispražnjena. Pitajte najbližu benzinsku pumpu gdje možete baciti staro gorivo i ulje.
- Pripazite da je stroj dobro očišćen i da je potpuno servisiranje izvršeno prije dugotrajnog skladištenja.
- Prilikom prijenosa ili pohrane stroja uvijek postavite štitnik na reznu opremu, kako biste spriječili slučajni kontakt s oštrim lancem. Lanac koji miruje također može prouzročiti ozbiljne ozljede korisnika ili drugih osoba koje imaju pristup lancu.
- Osigurajte stroj tijekom transporta.

Dugotrajna pohrana

Ispraznite spremnike za gorivo i ulje u dobro prozračenom prostoru. Gorivo pohranite u propisani spremnik i na sigurno mjesto. Namjestite štitnik na vodilicu. Očistite stroj. Pogledajte odjeljak Raspored održavanja.

Uključivanje i isključivanje



UPOZORENJE! Prije paljenja obratite pažnju na sljedeće:

Kočnica lanca treba biti uključena prilikom pokretanja motorne pile, kako bi se umanjio rizik od kontakta s pokretnim lancem.

Nikad ne palite motornu pilu a da mač, lanac i svi poklopci nisu montirani. Veze mogu olabaviti i uzrokovati osobne ozljede.

Stavite stroj na slobodan prostor na zemlji i provjerite je li lanac u dodiru s nečim. Važno je da Vi čvrsto stojte.

Odstranite ljude i životinje daleko od radnog prostora.

Hladan motor

Paljenje: Kočnica lanca će biti aktivirana kad se motorna pila pali. Aktivirajte kočnicu na taj način da pomaknete zaštitu trzaja naprijed. (20)

1. Pumpica za gorivo: Pritišćite pumpicu za gorivo dok gorivo ne ispunji pumpicu. Pumpica ne mora biti potpuno ispunjena. (23)

2. Čok: Potpuno izvucite plavu kontrolu prigušnice/početnog ubrzanja (u položaj FULL CHOKE). Kada je ručica čoka/brzog praznog hoda izvučena do kraja, točne se postavke gasa ugadaju automatski. (21)

Gas paljenja: Kombinacija čok/brzi prazan hod postiže se kad je čok nalazi u čok poziciji. (22)

Paljenje

Uхватite prednju ručku lijevom rukom. Desnu nogu stavite blizu stražnje ručke i pritisnite motornu pilu prema tlu.

3. Desnom rukom povucite ručicu za paljenje i polako izvlačite užu za paljenje dok ne osjetite otpor (nakon aktiviranja startne kopčice), zatim snažno i naglo povucite dok se motor ne upali. **Nikad ne omotavajte startno užu oko šake.** (25)

PAŽNJA! Nemojte ispustiti ručicu za paljenje nakon što ste je potpuno izvukli van jer to može oštetiti stroj.

4. Utisnite komandu za kontrolu sauha na 1/2 sauha čim se motor pokrene, što možete čuti po zvuku "pučkanja". (21)

5. Snažno povlačite užu dok se motor ne pokrene. (26) Pustite da se motor zagreva trideset sekundi, a zatim stisnite okidač gasa kako biste podesili normalnu brzinu praznog hoda.

Budući da je kočnica lanca još uvijek aktivirana, što je prije moguće postavite motor na prazan hod pritiskom na okidač ubrzivača. Time se sprečava neželjeno habanje spojke, bubnja spojke i remena kočnice.

Pozor! Ponovno aktivirajte kočnicu lanca tako što ćete prednji štitnik za ruku gurnuti unatrag (oznaka "PULL BACK TO RESET") prema prednjoj drški. Motorna pila je spremna za uporabu. (27)

Topli motor

Postupak je jednak onom za pokretanje hladnog motora, osim postavljanja kontrole prigušnice u položaj zagušenja. Postavite ubrzivač u početni položaj tako što ćete plavu kontrolu prigušnice izvuci u položaj zagušenja i ponovno je uvući. (24)



UPOZORENJE! Dugotrajno udisanje ispušnih plinova iz motora, pare od ulja za lance kao i prašine od piljevine može dovesti do rizika po zdravlje.

- Nikad ne palite motorunu pilu a da mač, lanac i svi poklopci nisu pravilno montirani. Pogledajte uputstva pod naslovom Sastavljanje. Ukoliko vodilica i lanac nisu priključeni, kvačilo može biti otpušteno i prouzročiti ozbiljne ozljede. (28)
- Kočnica lanca treba biti uključena prilikom pokretanja pile. Pogledajte obavijesti u odjeljku Pokretanje i zaustavljanje. Nikada ne pokrećite motornu pilu dok je okrenuta nadolje. Ovaj način je iznimno opasan jer lako možete izgubiti nadzor nad pilom. (29)
- Nikada nemojte paliti stroj u zatvorenim prostorijama. Ispušni plinovi motora mogu biti opasni.
- Prije paljenja stroja, obratite pažnju na to da u blizini nema ljudi ili životinja koji bi mogli doći u opasnost ili u kontakt sa opremom za rezanje.
- Uvijek držite motornu pilu s obje ruke. Desnu ruku držite na stražnjoj, a lijevu ruku na prednjoj drški. **Svi korisnici, ljevoruki ili desnoruki, trebaju koristiti ovaj zahvat.** Omotajte palčeve i prste oko drške te ju čvrsto držite. (30)

Isključivanje

Zaustavite motor pritiskom na tipku za zaustavljanje. (31)

Prije svake upotrebe: (32)

- 1 Prekontrolišite da kočnica lanca radi pravilno i da je neoštećena.
- 2 Prekontrolišite da zadnji štitnik desne ruke nije oštećen.
- 3 Prekontrolišite da zapreka regulatora gasa radi pravilno i da nije oštećena.
- 4 Provjerite radi li zaustavni prekidač pravilno te da nije oštećen.
- 5 Prekontrolišite da na svim ručkama nema ulja.
- 6 Prekontrolišite da sistem za prigušenje vibracija radi pravilno i da je neoštećen.
- 7 Prekontrolišite da prigušivač zvuka stoji čvrsto i da nije oštećen.
- 8 Prekontrolišite da su svi dijelovi na motornoj pili pričvršćeni i da nisu oštećeni ili da ne nedostaju.
- 9 Prekontrolišite da hvatač lanca stoji na svom mjestu i da nije oštećen.
- 10 Provjerite zategnutost lanca.

Općenite upute za rad

VAŽNO!

Ovo poglavlje opisuje osnovna pravila za sigurnost pri rukovanju motornom pilom. Ova uputstva nipošto ne mogu zamijeniti znanje koje posjeduje jedan profesionalac u obliku obrazovanja i radnog iskustva. Ukoliko dođete u situaciju gdje se osjećate nesigurno, prestanite raditi i zatražite savjet stručnjaka. Obratite se vašoj prodavnici motornih pila, servisu motornih pila, iliiskusnom korisniku motornih pila. Izbjegavajte svaku upotrebu ako smatrate da niste dovoljno kvalificirani za to!

Prije korištenja motorne pile morate razumjeti sve o trzaju i kako ga izbjeći. Pogledajte uputstva pod naslovom Kako da izbjegnate trzaj.

Prije korištenja motorne pile morate razumjeti razliku između piljenja s gornjim i donjim krajem mača. Pogledajte upute u odjeljcima Kako izbjeći povratni trzaj i Sigurnosna oprema.

Nosite osobnu zaštitnu opremu. Pogledajte uputstva pod naslovom Osobna zaštitna oprema.

Osnovna pravila sigurnosti

- 1 Pogledajte okolinu:
 - Da biste osigurali da ljudi, životinje ili predmeti ne ometaju vašu kontrolu nad strojem.
 - Da biste bili sigurni da netko ili nešto od gore navedenog neće doći u dodir s lancem pile ili biti povrijeđeno oborenim drvatom.
- PAŽNJA! Slijedite gornje upute, ali nemojte koristiti motornu pilu u situacijama gdje ne možete pozvati u pomoć u slučaju da dođe do nezgode.
- 2 Nemojte koristiti pilu po lošem vremenu, kao na primjer po gustoj magli, pljusku, jakom vjetru, izrazitoj hladnoći itd. Rad po hladnom vremenu je zamoran i često donosi dodatne opasnosti, kao naprimjer poredicu, a može utjecati i na pravac padanja drveta i slično.
 - 3 Budite izuzetno oprezni kada budete odstranjivali male grane i nastojte izbjegnuti rezanje grmlja (=rezanje više manjih grana zajedno). Male grane se mogu zaglaviti u lanac i biti bačene na Vas i pritom uzrokovati ozbiljne povrede.

- 4 Obratite pažnju na sigurno kretanje i stajanje. Provjerite područje oko Vas da nema nekih prepreka (korjenje, kamenje, grane, rupe i slično) prilikom bočnog premještanja. Budite izuzetno oprezni pri radu na kosini.
- 5 Budite izvanredno oprezani prilikom pilanja napetih stabla. Napeto stablo može i prije i poslije propilavanja odbaciti se u svoj prvobitni položaj. Neispravan smještaj pogodi sebe i presjek pilanja može voditi tome da stablo pogodi vas ili stroj tako da izgubite kontrolu. Ove okolnosti mogu izazvati ozbiljne ozljede.
- 6 Kod premještanja, motornu pilu treba isključiti i lanac zaključati kočnicom za lanac. Pilu treba nositi tako da mač i lanac budu okrenuti prema nazad. Kod prenošenja pile na veću razdaljinu, treba staviti zaštitu na mač.
- 7 Kada postavite motornu pilu na tlo, blokirajte lanac pomoću kočnice i držite pilu neprestano na oku. Isključite motor prije ostavljanja motorne pile bez nadzora na dulje vrijeme.



UPOZORENJE! Ponekad se može dogoditi da u poklopcu zvona spojke zapnu otpaci, što može prozokovati zaglavljivanje lanca. Uvijek isključite motor prije čišćenja.

Osnovna pravila

- 1 Kada shvatite što je trzaj i kako do njega dolazi, moći ćete smanjiti ili spriječiti njegovu iznenadnu pojavu. Samim tim što znate da se može dogoditi, smanjujete opasnost. Trzaj je obično prilično slab, međutim ponekada može biti veoma neočekivan i snažan
- 2 Uvijek držite motornu pilu čvrsto tako da Vaša desna ruka bude na stražnjoj ručki a lijeva ruka na prednjoj. Otmotajte prste i palac oko ručke. Ovakvo trebate uhvatiti ručku bilo da ste lijevak ili dešnjak. Takav način držanja smanjuje djelovanje trzaja i omogućava Vam da držite motornu pilu pod kontrolom. **Nipošto ne ispuštajte ručke!**
- 3 Najviše nezgoda zbog trzaja događa se za vrijeme podrezivanja. Zauzmite čvrst stajajući stav i nastojte da ništa ne bude ispred Vas o što biste se mogli spotaknuti ili izgubiti ravnotežu.

Slaba koncentracija može dovesti do trzaja ako trzajna zona slučajno dotakne granu, susjedno drvo ili neki drugi predmet.

Morate imati nadzor nad predmetom rada. Kada su dijelovi koje namjeravate rezati mali i lagani, mogu se zaglaviti u i biti izbačeni prema vama. Čak i kada niste u opasnosti, možete se iznenaditi i izgubiti nadzor nad pilom. Uvijek razvijte poredane trupce ili grane prije rezanja. Pilite isključivo pojedinačne trupce ili komade drva. Uklonite ispijene dijelove kako biste održali sigurnost radnog područja.

- 4 **Nikada ne dižite motornu pilu u vis, iznad ramena i nastojte da ne pilite samo s vrhom mača. Nikada nemojte koristiti motornu pilu samo jednom rukom! (33)**
- 5 Da bi ste imali punu kontrolu nad motornom pilom, zahtjeva se da stojte stabilno. Nikad ne stojte na ljestvama, gore na drvetu ili tamo gdje nemate stabilnu podlogu za stajanje. **(34)**
- 6 Uvijek koristite veliku brzinu rezanja, t.j. puni gas.
- 7 Budite vrlo oprezni kad režete samo s gornjim rubom mača, napr. kad režete s donje strane. To se zove rezanje na guranje. Lanac pokušava gurnuti motornu pilu natrag

prema korisniku. Kada se lanac zaglavi, motorna pila može biti izbačena prema vama.

- Ukoliko se korisnik ne odupre toj sili, postoji opasnost da se motorna pila pomakne daleko unatrag da jedino zona trzaja ostane u dodiru s drvom, što će uzrokovati trzaj. **(35)** Rezanje donjom stranom mača, odnosno s vrha predmeta prema dolje, zove se rezanje povlačeći motornu pilu. U tom slučaju motorna pila će se sama povući prema drvetu, a prednji kraj tjela motorne pile će postati prirodni oslonac za vrijeme rezanja. Rezanje povlačeći pilu daje Vam bolji nadzor nad motornom pilom i položajem zone trzaja.
- Slijedite uputstva o oštrenju i održavanju Vašeg mača i lanca. Kada budete zamjenjivali mač ili lanac koristite samo kombinacije koje smo mi preporučili. Pogledajte uputstva pod naslovom Oprema za rezanje i Tehnički podaci.

Osnovne tehnike pilanja



UPOZORENJE! Motornu pilu uvijek držite s obje ruke. Ne možete imati siguran nadzor nad motornom pilom ukoliko je držite jednom rukom. Uvijek čvrsto držite drške objema rukama.

Općenito

- Uvijek dajte puni gas pri pilanju!
- Smanjite brzinu na prazni hod poslije svakog rezanja (rad motora pod punim gasom na duže vrijeme i bez otpora koji je prisutan pri pilanju, može dovesti do vrlo ozbiljnog oštećenja motora).
- Pilanje odozgo = Pilanje "povlačenjem" lanca pile.
- Pilanje odozdo = Pilanje "guranjem" lanca pile.

Pilanje na "guranje" lanca pile znatno povećava opasnost od trzaja. Pogledajte uputstva pod naslovom Kako da izbjegnute trzaj.

Nazivi

Pilanje = uvriježeni naziv za prepilavanje drveta.
Potkresivanje = odsjecanje grana sa oborenog drveta.
Pucanje = kada se predmet kojeg pilite prelomi prije nego što se završili s pilanjem.

Prije svakog pilanja treba obratiti pažnju na pet vrlo važnih okolnosti:

- Oprema za rezanje se ne bi smijela zaglaviti u rezu.
- Deblo ne bi smjelo puknuti.
- Lanac ne bi smio lupiti po zemlji ili bilo kojem drugom predmetu za vrijeme ili poslije rezanja.
- Postoji li opasnost od trzaja?
- Da li uvjeti i okolno zemljište dovode Vašu sigurnost u opasnost dok radite?

Postoje dvije okolnosti koje odlučuju hoće li se lanac zaglaviti i hoće li deblo pući. Prva okolnost ovisi o tome kakvu potporu ima deblo, a druga je da li je nategnuto ili ne.

U većini slučajeva ti problemi se mogu izbjeći rezanjem u dvije faze, gornji dio debla i donji dio debla. Morate poduprijeti deblo tako da se lanac ne zaglavi ili pukne za vrijeme rezanja.

VAŽNO! Ukoliko se lanac zaglavi za vrijeme rezanja: zaustavite rad motora! Nemojte pokušavati izvući pilu. Ukoliko to učinite, lanac se može oštetiti kad pilu potegnute van. Koristite polugu da razmaknete rez i oslobodite mač.

Slijedeća uputstva opisuju što da učinite u situacijama u koje ćete doći tokom korištenja motorne pile.

Potkresivanje

Prilikom potkresivanja debelih grana, trebali biste postupiti isto kao i kod pilanja.

Nezgodne grane pilite dio po dio.

Rezanje



UPOZORENJE! Nikada ne pokušavajte piliti trupce koji su naslagani jedan preko drugog ili su postavljeni jako blizu. Ovaj postupak dramatično povećava rizik od povratnog trzaja, te može rezultirati ozbiljnim ozljedama ili smrću.

Kada imate hrpu trupaca, trupac kojeg želite piliti uklonite s hrpe, postavite na nogare za piljenje ili nosila i pilite odvojeno.

Uklonite izrezane dijelove iz područja rada. Ukoliko ih ostavite u području rada povećavate rizik od pogreške, povratnog trzaja i gubitka ravnoteže prilikom rada.

Deblo leži na zemlji. Mala je vjerojatnost da će se lanac uglaviti ili da će deblo pući. Međutim, postoji opasnost da će lanac dotaći zemlju kada dovršite rezanje.

Prerežite deblo do kraja, počevši odozgo. Nastojte da ne dotaknete zemlju kad dodjete do kraja. Dajte puni gas ali budite oprezni u slučaju da lanac pukne. **(36)**

Ukoliko je moguće (= može se okrenuti deblo?) prestanite piliti nakon što ste prepili 2/3 debla.

Okrenite deblo i završite 1/3 reza sa suprotne strane.

Deblo ima oslonac na jednom kraju. Postoji velika mogućnost da će puknuti.

Počnite piliti odozdo (na 1/3 debla).

Završite pilanjem odozgo tako da se dva reza nađu u sredini.

Deblo ima oslonac na oba kraja. Postoji velika mogućnost da će se lanac zaglaviti.

Počnite piliti odozgo (na 1/3 debla).

Nastavite piliti odozdo kako bi se dva reza srela u sredini.

Tehnika obaranja drveta

VAŽNO! Da biste oborili drvo, potrebno je veliko iskustvo. Neiskusni korisnici motornih pila ne bi smjeli obarati drveće. Nikada ne radite nešto ako niste sigurni u sebe!

Sigurna udaljenost

Sigurna udaljenost između drva koje treba oboriti i osobe koja radi u blizini je barem 2 1/2 puta od visine drveta. Nitko nesmije biti u tom "opasnom području" prije i za vrijeme obaranja. **(37)**

Smjer obaranja

Svrha je da se drvo obori na najbolje moguće mjesto za daljnje potkresivanje i rezanje debla. Vi biste trebali oboriti drvo na zemlju po kojoj se možete slobodno kretati.

Kad ste jednom odlučili na koji način želite da drvo bude oboreno, trebate ocijeniti na koju stranu će drvo pasti samo od sebe.

Nekoliko čimbenika utječe na to:

- Nagib
- Savijenost
- Smjer vjetra
- Položaj grana
- Eventualna težina snijega
- Zapreke u blizini stabla: primjerice, ostala stabla, naponski vodovi, ceste i građevine.
- Potražite znakove oštećenja i truleži na dnu stabla, zbog kojih bi se stablo moglo slomiti i početi padati prije nego očekujete.

Može se dogoditi da ne budete imali drugog izbora nego da pustite drvo da padne u svom prirodnom smjeru jer je previše opasno ili nemoguće da ga usmjerite da padne u pravcu koji ste Vi izabrali.

Još jedan vrlo važan čimbenik koji ne utječe na smjer obaranja drveta nego utječe na Vašu sigurnost je to da provjerite ima li drvo suhe ili oštećene grane koje bi se mogle slomiti i ozlijediti Vas za vrijeme obaranja.

Trebate nastojati da izbjegnute to da drvo padne na drugo drvo. U tom slučaju je vrlo opasno pomaknuti zaglavljeno drvo i postoji velika opasnost od nezgode. Pogledajte upute pod naslovom Oslobođanje drveta koje je loše oboreno.

VAŽNO! Za vrijeme kritičnih trenutaka obaranja drveta, zaštita za uši bi trebala biti skinuta odmah po prestanku pilanja tako da možete čuti zvukove i znakove upozorenja.

Čišćenje debla i priprema za povratka

Uklonite sve grane sa stabla do visine ramena. Sigurnije je raditi od vrha prema dolje, tako da stablo bude između vas i pile.

Uklonite bilje koje se nalazi ispod debla i provjerite ima li kamenja, grana, rupa itd koji bi Vam smetali. Svrha toga je da kad drvo počne padati, Vi možete lako odstupiti. Vaš put odstupanja trebao bi se nalaziti otprilike 135° iza planiranog pada drveta **(38)**

- 1 Opasno područje
- 2 Putanja izvlačenja
- 3 Smjer obaranja

Obaranje



UPOZORENJE! Mi vam savjetujemo da ne obarate drveće koje ima promjer veći od dužine mača, to možete raditi samo ako imate stručnu obuku!

Obaranje se vrši sa tri reza pilom. Prije svega napravite smjerni rez koji se sastoji od gornjeg reza i donjeg reza. Nakon njih slijedi obarajući rez. Režući na pravim mjestima, Vi možete vrlo precizno kontrolirati smjer padanja.

Smjerni rez

Da biste napravili smjerni rez morate početi s gornjim rezom. Stanite s desne strane drveta i režite prema dolje pod kutem. Nakon toga učinite donji rez točno do točke gdje je završio gornji rez. **(39)**

Smjerni rez be trebao ići do 1/4 dijametra debla, a kut između gornjeg reza i donjeg reza bi trebao biti najmanje 45°.

Crta gdje se sastaju dva reza zove se crta smjernog reza. Ta crta bi trebala biti vodoravna i pod kutem od 90° na izabrani pravac pada. **(40)**

Obarajući rez

Obarajući rez se vrši sa suprotne strane drveta i mora biti potpuno vodoravan. Stanite sa lijeve strane drveta i prerežite s donjim rubom mača.

Obarajući rez mora biti od 3–5 cm (1,5–2 col) iznad ravnog dijela smjernog reza.

Postavi naslonjač kore (ako je takav namješten) iza pojasa lomljenja. Dodajte pun gas i polako prinesite mač i lanac drvetu. Pazite da se drvo ne počne micati u suprotnom smjeru od smjera željenog obaranja. Zabijte klin ili polugu u rez čim rez postane dovoljno dubok. **(41)**

Dovršite obarajući rez paralelno sa crtom smjernog reza tako da razlika između njih bude najmanje 1/10 promjera debla. Ne prerezani dio debla se zove pojas lomljenja.

Pojas lomljenja djeluje kao šarke koje kontroliraju smjer padanja drveta. **(42)**

Kontrolu nad smjerom obaranja drveta potpuno ćete izgubiti ako je pojas lomljenja previše uzak ili ako su smjerni rez i obarajući rez loše postavljeni.

Kada su obarajući rez i smjerni rez završeni, drvo bi trebalo početi padati zbog vlastite težine ili uz pomoć klina ili poluge.

Preporučena je uporaba vodilice čija je duljina veća od promjera stabla, tako da rezove za obaranje i rezove za usmjeravanje možete načiniti "jednim potezom". Za detalje o preporučenim duljinama vodilice za vaš model motorne pile, pogledajte upute u odjeljku Tehničke karakteristike.

Postoje metode obaranja drveća koje ima dijаметar veći od dužine mača. Kod takvih metoda postoji veća opasnost da zona trzaja mača dođe u dodir s raznim predmetima.

Oслоbođanje drveta koje je loše oboreno

Oслоbođanje "zapelog drveta"

U tom slučaju je vrlo opasno pomaknuti zaglavljeno drvo i postoji velika opasnost od nezgode.

Nikada ne sjecite stablo na koje je palo drugo stablo.

Nikada ne radite u području ispod visećeg, zaglavljenog stabla.

Najsigurnija metoda je upotreba vitla.

- Pričvršćeno za traktor
- Prenosivo

Pilanje drveća i granja koje je pod tenzijom

Priprema: Procijenite u kom smjeru bi se drvo ili grana pomakla da je se oslobodi i gdje se nalazi prirodna točka pucanja (točka gdje bi puklo da je još više savijeno).

Procijenite koji je najsigurniji način da oslobodite napetost i da li ste Vi u mogućnosti da to učinite na siguran način. U kompliciranim situacijama jedina sigurna metoda je da odložite Vašu motornu pilu i upotrijebite vitlo.

Savjet:

Zauzmite položaj tako da budete postrani kada se drvo ili grana oslobodi zategnutosti.

Zarežite jednom ili više puta u ili blizu točke pucanja. Učinite toliko rezova i toliko duboko koliko je potrebno da se smanji zategnutost kako bi drvo ili grana puklo na točki pucanja.

Nikada nemojte prepiliti drvo ili granu koji su pod tenzijom!

Kada trebate popiliti cijelo stablo/granu, načinite dva ili tri reza razmaka 3 cm i dubine 3–5 cm.

Nastavite s rezanjem dok se stablo/grana ne saviju i pritisak popusti.

Ispilite stablo/granu sa suprotne strane, nakon što pritisak popusti.

Kako da izbjegnute trzaj



UPOZORENJE! Trzaj se može dogoditi veoma iznenadno i može biti vrlo snažan; može odbaciti motornu pilu, mač i lanac na korisnika. Ukoliko se to dogodi dok se lanac još uvijek vrti može doći do vrlo ozbiljnih, čak i smrtonosnih povreda. Vrlo je važno da shvatite što uzrokuje trzaj i da ga možete izbjeći ako ste pažljivi i ispravno radite.

Što je trzaj?

Trzaj je izraz koji se koristi da opiše iznenadnu reakciju koja uslijedi kada gornji kvadrat vrha mača, pod nazivom područje trzaja, dodirne neki predmet i odgurne motornu pilu prema unazad. (43)

Trzaj se uvijek dogodi u smjeru piljenja. Obično su motorna pila i mač bačeni prema natrag i prema gore u smjeru korisnika. Međutim, motorna pila se može trznuti i u nekom drugom pravcu, ovisno o načinu na koji je bila korištena u vrijeme kada je područje trzaja mača dotaklo predmet.

Trzaj se događa jedino u slučaju kada područje trzaja dodirne neki predmet. (44)

Potkresivanje



UPOZORENJE! Većina nezgoda zbog povratnog trzaja događa se prilikom rezanja grana. Ne koristite područje povratnog trzaja vodilice. Postupajte s velikim oprezom i izbjegavajte kontakt vrha vodilice s trupcem, drugim granama ili predmetima. Postupajte oprezno prilikom rada na jako zategnutim granama. Mogu odskočiti prema vama, te prouzročiti gubitak nadzora nad pilom i ozljede.

Provjerite ima li prepreka! Radite s lijeve strane debla. Radite blizu pile kako biste imali što bolji nadzor nad njom. Ukoliko je to moguće, dozvolite da se pila težinom oslanja na deblu.

Neka drvo bude između Vas i pile dok se pomičete dužinom debla.

Rezanje debla u trupce

Pogledajte uputstva pod naslovom Osnovne tehnike pilanja.

Općenito

Korisnik smije obavljati postupke održavanja i servisiranja opisane isključivo u ovom priručniku. Veće popravke potrebno je prepustiti ovlaštenom serviseru.

Podešavanje rasplinjača

Vaš Jonsered proizvod je oblikovan i proizveden po zahtjevima za smanjenje štetnih plinova.

Rad

- Rasplinjač upravlja brojem obrtaja uz pomoć gasa. Zrak i gorivo se miješaju u rasplinjaču. Mješavina zraka i goriva se da podesiti. Da biste maksimalno iskoristili Vaš stroj, to podešavanje mora biti ispravno.
- Vijak T podešava brzinu praznog hoda. Ukoliko je vijak T okrenut u smjeru kazaljke na satu, prazan hod će biti brži, a u suprotnom smjeru od kazaljke na satu bit će sporiji.

Osnovno podešavanje i uhadavanje

Rasplinjač je podesen na osnovno podešavanje za vrijeme isprobavanja pile u tvornici. Fino ugađanje smije izvršiti isključivo stručna osoba.

Preporučeni broj okretaja u praznom hodu: Pogledajte poglavlje Tehnički podaci.

Fino podešavanje praznog hoda T

Podesite brzinu praznog hoda s vijkom T. Ukoliko je potrebno promijeniti podešavanje, prvo zavrnite T vijak za podešavanje praznog hoda, sve dok se lanac ne počne vrtiti. Nakon toga zavrnite u smjeru suprotnom od kazaljke na satu dok se lanac ne zaustavi. Prazan hod je ispravno podesen tek kada motor radi ujednačeno u svakom položaju. Isto tako, trebala bi biti dobra razlika okretaja kad se lanac počinje okretati.



UPOZORENJE! Obratite se svom serviseru ukoliko se brzina praznog hoda ne da podesiti tako da lanac stane. Nemojte koristiti motornu pilu prije nego je ispravno podešena ili popravljena.

Provjera, održavanje i servisiranje sigurnosne opreme motorne pile

Pozor! Svi radovi u pogledu popravaka ili servisiranja na stroju zahtijevaju posebnu obuku. To se posebice odnosi na sigurnosnu opremu stroja. Stroj koji ne prođe bilo koju od navedenih provjera odnesite u ovlaštenu servis. Svako održavanje koje nije opisano u ovom priručniku mora biti izvršeno od Vašeg servisera (preprodavača).

Prije popravaka i održavanja isključite motor i izvucite kabel paljenja.

Kočnica za lanac i prednji štit za ruke

Provjera istrošenosti kočničkog pojasa

Odstranite četkom piljevinu, ostatke i prljavštinu sa kočnice lanca i bubnja spojke. Prijavština i istrošenost mogu ornesti rad kočnice. (45)

Redovno provjeravajte da li je kočnički pojas barem 0,6 mm na svom najtanjem dijelu.

Provjera prednjeg štita za ruku

Provjerite da prednji štit za ruku nije slučajno oštećen i da nema vidljivih oštećenja, naprimjer pukotina.

Pomaknite prednji štít za ruku prema naprijed i prema natrag da biste se uvjerali da se kreće bez zastoja i da je sigurno pričvršćen na poklopac sklopke. **(46)**

Provjera automatske kočnice

Postavite motornu pilu s isključenim motorom na panj ili neku drugu stabilnu površinu. Otpustite prednju dršku i pustite da pila padne svom svojom težinom, okrećući se oko stražnje drške prema panju.

Kada vrh mača lupi po panju tada bi kočnica trebala proraditi. (47)

Provjera kočničkog okidača

Stavite motornu pilu na stabilnu podlogu i upalite je. Lanac ne bi smio dodirivati zemlju ili neki drugi predmet. Pogledajte uputstva pod poglavljem Uključivanje i isključivanje.

Čvrsto uhvatite pilu tako da prste i palčeve omotate oko obje ručke.

Dodajte puni gas i aktivirajte kočnicu za lanac tako da nagnete zglob na ruci prema naprijed prema prednjem štitu za ruku. Nemojte ispustiti prednju ručku. **Lanac bi se trebao odmah zaustaviti.**

Gumb za gas

- Provjerite da li je kontrola gasa stavljena na prazan hod prije nego otpustite gumb za gas.
- Pritisnite gumb za gas i provjerite da li se vratio u svoj prvobitni položaj nakon što ste ga otpustili.
- Provjerite da li se kontrola gasa i gumb gasa kreću neometano i da li povratne opruge rade ispravno.
- Upalite motornu pilu i dodajte pun gas. Otpustite kontrolu gasa i provjerite da li se lanac zaustavlja i miruje. Ukoliko se lanac okreće kada je gas namješten na prazan hod, provjerite podešenost rasplinjača tijekom praznog hoda.

Hvatač lanca

Provjerite da li je hvatač lanca oštećen i da je čvrsto pričvršćen na tijelo motorne pile.

Štit desne ruke

Provjerite da li je štít desne ruke oštećen i da li ima vidljivih nedostataka, kao na primjer pukotina.

Sistem za smanjivanje vibracija

Redovno provjeravajte da li su se pojavile pukotine ili nepravilnosti na napravi za smanjivanje vibracija.

Bitno je da su naprave za smanjivanje vibracija sigurno pričvršćene na motor i ručke.

Glavni prekidač

Upalite motor i provjerite da li se motor zaustavlja kada pritisnete glavni prekidač u stop položaj.

Prigušivač

Nikada nemojte koristiti stroj sa neispravnim prigušivačem. Redovno provjeravajte da li je prigušivač sigurno pričvršćen na stroju.

Pozor! Mrežica za iskre (A) na ovom stroju može se servisirati. **(48)** Ukoliko je mrežica oštećena, treba je zamijeniti. Stroj će se pregrijati ako je mrežica začepljena. To može uzrokovati oštećenja na cilindru i klipcu. Nikada nemojte

koristiti stroj koji ima začepljen ili neispravan prigušivač.

Nikada nemojte koristiti prigušivač ako je mrežica za zaustavljanje iskri neispravna ili ako je nema.

Kod normalne uporabe u kućanstvu nema potrebe za zamjenom prigušivača i mrežice za iskre.

Filter za zrak

Filter za zrak mora redovno biti očišćen od prašine i prljavštine kako bi se izbjeglo sljedeće:

- Smetnje rasplinjača
- Poteškoće paljenja
- Smanjenje snage motora
- Nepotrebno trošenje dijelova motora
- Pretjerana potrošnja goriva
- Filter zraka (3) izvadite nakon što uklonite pokrov cilindra, vijak (1) i pokrov filtra (2). Prilikom ponovnog namještanja pripazite da filter zraka čvrsto pranja uz držač. Filter očistite četkom ili ga protresite. **(49)**

Detaljnije čišćenje postiže se pranjem filtera s vodom i sapunicom.

Filter za zrak, kojeg se koristilo neko vrijeme ne može biti potpuno očišćen. Zato ga treba zamijeniti s novim u određenim vremenskim razmacima. **Oštećeni filter za zrak treba uvijek zamijeniti.**

Svjećica

Sljedeće pojave utječu na stanje svjećice:

- Neispravno podešen rasplinjač.
- Nepravno mješanje ulje s gorivom (previše ili pogrešno ulje).
- Priljav filter za zrak.

Ovi čimbenici mogu stvoriti naslage na elektrodama svjećice što može izazvati teškoće kod rada i paljenja.

Ukoliko je učinak stroja nizak, teško ga je upaliti i loše radi pri praznom hodu, uvijek prvo provjerite svjećicu. Ukoliko je svjećica priljava, očistite je i provjerite razmak između elektroda. Ponovno ga podesite ako je potrebno. Ispravni razmak je 0,5 mm. Svjećicu treba zamijeniti nakon jedno mjesec dana rada ili ranije ako su elektrode jako trule. **(50)**

Pozor! Uvijek koristite preporučenu vrstu svjećice. Kriva svjećica može ozbiljno oštetiti klip/cilindar. Nadgledajte da svjećica ima tkz. štitičnik protiv radio valova.

Raspored održavanja

Slijedi popis radnji koje je potrebno provesti prilikom održavanja stroja. Većina radnji opisana je u odjeljku Održavanje.

Dnevni nadzor (svakih 5–10 sati)	Nadzor tjedno (svakih 10–25 sati)	Mjesečni nadzor (svakih 25–40 sati)
Očistite vanjski dio stroja.	Provjerite starter, startno užje i povratnu oprugu.	Provjerite pohabanost pojasa kočnice na kočnici lanca. Zamijenite kada debljina najpohabanije točke dosegne ispod 0,6 mm.
Provjerite da li djelovi regulatora gasa rade u pogledu sigurnosti. (Lokot za gas i regulator gasa.)	Provjerite da li su protuvibracioni elementi postali premekani ili potrgani.	Provjerite u kakvom su stanju središte kvačila, bubanj kvačila i oprugu kvačila.
Očistite kočnicu lanca i provjerite da li radi prema uputama. Hvatač lanca ne bi smio biti oštećen. Ukoliko je, odmah ga zamijenite.	Odturpijajte neravnine ako ih ima na rubovima mača.	Očistite svjećicu i provjerite razmak. Ispravni razmak je 0.5 mm.
Mač bi trebalo preokrenuti svaki dan kako bi se ravnomjerno trošio. Provjerite otvor za podmazivanje u maču da nije začepljen. Očistite urez na maču, a ako mač ima kotač na vrhu, trebalo bi ga podmazati.	Očistite prostor rasplinjača i kutije za zrak.	Očistite vanjsku stranu rasplinjača.
Provjerite radi li naprava za podmazivanje i da li su mač i lanac podmazani kako treba.	Očistite filter za zrak. Promijenite po potrebi.	Provjerite filter za gorivo i cijev za gorivo. Promijenite po potrebi.
Provjerite vidljive napukline zakivaka i spojeva lanca, je li lanac krut te jesu li zakivci i spojevi previše pohabani. Zamijenite po potrebi.		Ispraznite i očistite unutrašnjost spremnika za gorivo.
Naoštrite lanac i provjerite napetost i stanje. Provjerite koliko je istrošen pogonski kotač i ako treba, zamijenite ga.		Ispraznite i očistite unutrašnjost spremnika za ulje.
Očistite ulazni otvor zraka pokretača.		Provjerite sve kablove i spojeve.
Provjerite ima li vijaka i matica koje treba zavrnuti i ako treba, učinite to.		
Provjerite da stop prekidač radi.		
Provjeri da nema ispust goriva iz motora, spremnika goriva ili cijevi goriva.		

Tehnički podaci

	CS 2234	CS 2238
Motor		
Zapremnina cilindra, u kubičnim cm	38	38
Put klipa u cilindru, u mm	32	32
Broj obrtaja pri praznom hodu, rpm	3000	3000
Učinak, kW	1,4/9000	1,5/9000
Sistem paljenja		
Svjećica	Champion RCJ 7Y	Champion RCJ 7Y
Razmak elektroda, u mm	0,5	0,5
Sistem goriva i podmazivanja		
Zapremnina spremišta za gorivo, lit.	0,3	0,3
Kapacitet pumpe za ulje pri 8500 rpm ml/min	7	7
Zapremnina spremišta za ulje, lit.	0,19	0,19
Vrsta pumpe za ulje	Automatska	Automatska
Težina		
Motorna pila bez mača i lanca sa praznim rezervoarom za gorivo, kg	4,7	4,7
Emitovanje buke (pogledajte napomenu 1)		
Jačina zvuka, izmjerena u dB(A)	115	115
Jačina zvuka, garantovana L_{WA} dB(A)	118	118
Jačina buke (pogledajte napomenu 2)		
Jednakoznačna razina zvučnog tlaka na korisnikovo uho, dB(A)	100,6	100,6
Ekvivalentne razine vibracije, a_{hveq} (vidi napomenu 3)		
Prednja ručka m/s^2	3,7	3,7
Stražnja ručka m/s^2	5,1	5,1
Lanac/mač		
Standardna dužina mača, col/cm	14/35, 16/40	14/35, 16/40
Preporučene dužine mača, col/cm	14/35, 16/40	14/35, 16/40
Efektivna površina za rezanje, col/cm	13,5/34, 15,5/39	13,5/34, 15,5/39
Djeljenje, col/mm	3/8 / 9,52	3/8 / 9,52
Debljina pogonske karike, col/mm	0,050/1,3	0,050/1,3
Vrsta pogonskog lančanika/broj zubaca	6	6
Brzina lanca pri maksimalnom učinku, m/sec	17,1	17,1

Napomena 1: Stvaranje buke prema okolini izmjerena kao zvučni tlak (L_{WA}) prema EC-uputi 2000/14/EC.

Napomena 2: Ekvivalent razine pritiska buke je, prema ISO 22868, vremenski mjeren zbir energije za različite razine pritiska buke u raznim uvjetima rada. Tipična statistička disperzija za ekvivalentnu razinu pritiska buke je standardna devijacija od 1 dB (A).


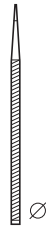

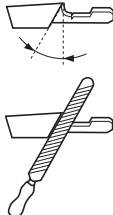

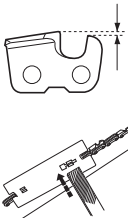
Napomena 3: Ekvivalentna razina vibracije se, prema ISO 22867, izračunava kao vremenski mjeren zbir energija za razine vibracije u različitim uvjetima rada: Podaci o ekvivalentnoj razini vibracije pokazuju tipičnu statističku disperziju (standardnu devijaciju) od 1 m/s^2 .

TEHNIČKI PODACI

Kombinacije lanca i mača

Sljedeća rezna oprerna dopuštena je za modele Jonsered CS 2234 i CS 2238.

Mač				Lanac pile	
Dužina, col	Djeljenje, col	Širina utora u mm	Maks. broj zubaca na lančaniku vrha vodilice	Vrsta	Duljina, pogonski spojevi (br.)
14	3/8	1,3	7T	Jonsered H37	52
16	3/8		7T		56
18	3/8		7T		62

					
	inch/mm				inch/mm
H37	5/32/4,0	80°	30°	0°	0.025/0,65

EC-uvjerenje o podudaranju

(Važi samo za Evropu)

Husqvarna, SE-561 82 Huskvarna, Švedska, tel: +46-36-146500, ovjerava s ovim da motorne pile **Jonsered CS 2234 i CS 2238** od 2009 godine serijskog broja i naprijed (godina se navodi u jasnom tekstu na tablici tipa uz praćenje serijskog broja) podudaraju se sa propisima u UPUTI VIJEĆA:

- od 17. svibnja 2006, "o strojevima" **2006/42/EC**
- od 15. prosinac 2004 "u vezi elektromagnetske kompatibilnosti" **2004/108/EEC**.
- od 8. svibnja 2000 "u vezi stvaranja buke prema okolini" **2000/14/EC**.

Za informacije u vezi sa stvaranjem buke, pogledajte poglavlje Tehnički podaci. Naredni standardi su primjenjeni:

EN ISO 12100-2:2003, CISPR 12:2001, EN ISO 11681-1:2004

Prijavljen organ: **0404, SMP Svensk Maskinprovning AB**, Fyrisborgsgatan 3, SE-754 50 Uppsala, Švedska, je izvršio EC-kontrolu tipa prema članku 12, točka 3b, upute za mašine (2006/42/EC). Potvrda o EC kontrole tipa prema Annex IX, ima broj: **0404/09/2048**.

Osim toga je SMP, Svensk Maskinprovning AB, Fyrisborgsgatan 3, SE-754 50 Uppsala, Švedska, potvrdio podudaranje sa prilogom V na upute vjeća od 8. svibnja 2000 "u vezi stvaranja buke prema okolini" 2000/14/EC. Certifikati imaju broj: **26/161/003** - CS 2234, **26/161/004** - CS 2238.

Isporučena motorna pila se podudara sa primjerkom na kojem je izvršena EC-kontrola tipa.

Huskvarna 29. prosinac 2009



Ronnie E. Goldman, Tehnički direktor. (Ovlašteni predstavnik tvrtke Husqvarna AB i osoba odgovorna za tehničku dokumentaciju).

Уважаеми потребителю!

Поздравяваме ви за вашия избор да се спрете на продукт на Jonsered!

Ние сме убедени, че вие ще оцените с голямо задоволство качеството и производителността на нашия продукт в един продължителен период от време. Покупката на един от продуктите ни ви осигурява достъп до професионална помощ при ремонти и обслужване където и да се наложи. Ако търговецът на дребно, който ви е продал машината, не е един от оторизираните ни дилъри, поискайте адреса на най-близкия до вас наш сервиз.

Ние се надяваме, че вие ще останате доволни от машината и че тя ще остане ваш верен помощник в продължение на много години. Не забравяйте, че този Наръчник на оператора представлява един много ценен документ. Спазването на инструкциите (за работа, обслужване, поддръжка и т.н.) може значително да подобри срока на експлоатация на машината ви и дори да повиши стойността ѝ при препродажба. Ако решите да продавате машината си, непременно предайте Наръчника на оператора на новия ѝ собственик.

Пожелаваме ви всички успехи при работата ви с продукта на компанията Jonsered!

Jonsered непрестанно усъвършенствува своите продукти и поради това си запазва правото да променя примерно оформянето им, външния им вид и др. без предварително уведомление.

Условни обозначения на машината:

ПРЕДУПРЕЖДЕНИЕ! Всички верижни триони могат да бъдат опасни! Небрежно или неправилно манипулиране с тях може да предизвика сериозни и дори смъртоносни наранявания на оператора или други лица.

Преди да започнете работа с машината прочетете внимателно ръководството за експлоатация и се убедете, че го разбирате правилно.

Необходимо е винаги да използвате:

- Одобрен шлем
- Одобрени антифони
- Защитни очила или маска

Тази продукт отговаря на изискванията на валидните ЕО директиви.

Шумови емисии в околната среда съгласно директивата на Европейската Общност. Емисията от машината е посочена в раздел Технически характеристики и върху лепенката.

Операторът трябва да е свикнал да борави с верижния трион и с двете си ръце.

Никога не работете с верижния трион, като го държите само с една ръка.

Избягвайте контакт на върха на направляващата шина с друг предмет.

ПРЕДУПРЕЖДЕНИЕ! Когато краят на шината влезе в контакт с някакъв предмет това може да доведе до откат, който да отхвърли шината назад и нагоре към потребителя. Това може да доведе до сериозно телесно нараняване.

Верижна спирачка, активирана (ляво)
верижна спирачка, неактивирана (дясно)

Останалите символи/лепенки със символи, обозначени или поставени на машината, се отнасят до специфични изисквания по отношение на сертификати за определени пазари.



Какво - къде на верижния трион? (1)

- 1 Информация и предупредителна лепенка
- 2 Капак на цилиндъра
- 3 Горивна помпа
- 4 Дръжка на стартера
- 5 Регулатор за смукача/Фиксатор на дроселната клапа
- 6 Ключ стоп (Включване и изключване на запалването.)
- 7 Задна ръкохватка
- 8 Горивен резервоар
- 9 Регулиращи винтове на карбуратора
- 10 Стартер
- 11 Резервоар за верижно масло
- 12 Плочка с името на продукта и серийния номер
- 13 Фиксатор на дроселната клапа (Предотвратява нежелано подаване на газ.)
- 14 Предна ръкохватка
- 15 Защита от обратен тласък
- 16 Ауспух
- 17 Шина на триона
- 18 Челно колело на шината
- 19 Верига
- 20 Амортизатор
- 21 Уловител на веригата
- 22 Винт за натягане на веригата
- 23 Капак на съединителя
- 24 Задна ръкохватка със защита за дясната ръка
- 25 Регулатор на дроселната клапа
- 26 Ръководство за експлоатация
- 27 Комбиниран гаечен ключ
- 28 Калъф на шината

Съдържание

ВЪВЕДЕНИЕ	
Уважаеми потребителю!	357
Условни обозначения на машината:	357
Какво - къде на верижния трион?	358
СЪДЪРЖАНИЕ	
Съдържание	358
ОБЩИ ИНСТРУКЦИИ ЗА БЕЗОПАСНА РАБОТА	
Необходими мерки преди използване на нов верижен трион	359
Запомнете	360
Винаги се осланяйте на здравия смисъл ..	360
Лична защитна екипировка	360
Защитното оборудване на машината	361
Режещо оборудване	363
МОНТИРАНЕ	
Монтиране на шината и веригата	367
РАБОТА С ГОРИВОТО	
Горивна смес	367
Зареждане с гориво	368
Безопасност при боравене с гориво	368
СТАРТИРАНЕ И ИЗКЛЮЧВАНЕ	
Стартиране и изключване	369
НАЧИН НА РАБОТА	
Преди всяка употреба:	370
Основни указания за работа	370
Мерки за избягване на обратен тласък	375
ПОДДРЪЖКА	
Основни принципи	375
Регулиране на карбуратор	375
Преглед, поддръжка и сервиз на защитното оборудване на верижния трион	376
Ауспух	377
Въздушен филтър	377
Запалителна свещ	377
Техническо обслужване	378
ТЕХНИЧЕСКИ ХАРАКТЕРИСТИКИ	
Технически характеристики	379
Комбинации за шината и веригата	380
ЕО-уверение за съответствие	380

Необходими мерки преди използване на нов верижен трион

- Прочетете внимателно и цялостно инструкциите.
- (1) - (50) се отнася за фигурите на стр. 2-5.
- Проверете монтажа и регулировката на ренещото оборудване. Виж указанията в раздел Монтиране
- Напълнете и стартирайте моторния трион. Вижте инструкциите под заглавията Зареждане с гориво и Старт и Стоп.
- Не бива да се работи с верижния трион, ако веригата не е смазана достатъчно добре. Виж указанията в раздел Смазване на ренещото оборудване.
- дълготрайното излагане на шум може да доведе до постоянно влошаване на слуха. Така че винаги използвайте одобрена защита на слуха.



ПРЕДУПРЕЖДЕНИЕ! При никакви обстоятелства не бива да се внасят изменения в първоначалната конструкция на машината без разрешение на производителя. Ползвайте само оригинални приспособления. Неразрешени изменения и/или приспособления биха могли да предизвикат сериозни травми или смъртни случаи на оператора или други лица.



ПРЕДУПРЕЖДЕНИЕ! Непредпазливото или неправилно боравене с верижния трион е опасно и може да доведе до сериозни и дори смъртоносни травми. Твърде важно е да прочетете и да разберете настоящото ръководство за експлоатация.



ПРЕДУПРЕЖДЕНИЕ! Вътрешността на шумозаглушителя съдържа химикали, които може да са канцерогенни. В случай че шумозаглушителят е повреден, избягвайте допир с тези елементи.



ПРЕДУПРЕЖДЕНИЕ! Дълготрайно вдишване на отработени газове от двигателя, изпарения от верижното масло и прах от дървени стърготини могат да представляват риск за здравето.



ПРЕДУПРЕЖДЕНИЕ! Тази машина създава електромагнитно поле по време на работа. При някои обстоятелства това поле може да интерферира с активни или пасивни медицински имплантанти. За да намалите риска от сериозно или фатално нараняване, ние препоръчваме лицата с медицински имплантанти да се консултират с лекаря си и производителя на медицинския имплантант, преди да започнат да работят с тази машина..

Запомнете

ЗАПОМНЕТЕ!

Машината е конструирана само за рязане на дървесина.

Вие трябва да използвате само комбинациите шина/трионова верига, които ние препоръчваме в главата Технически данни.

Никога не използвайте машината ако сте уморени, ако сте употребявали алкохол или ако вземате медикаменти, които въздействат на зрението ви, преценката ви или координацията ви.

Използвайте личната защитна екипировка. Виж указанията в раздел Лична защитна екипировка.

Никога не променяйте тази машина по начин, който не съответства на оригиналната конструкция, и не я използвайте когато се вижда, че е била променена от някой друг.

Не работете с неизправна машина.

Извършвайте описаните в това ръководство за експлоатация редовни проверки, поддръжка и сервиз. Определени операции по поддръжката и сервиза се извършват единствено от квалифицирани специалисти. Виж указанията в раздел Поддръжка.

Забранено е използването на каквито и да е спомагателни приспособления, освен препоръчаните в това ръководство за експлоатация. Виж указанията в разделите Режещо оборудване и Технически характеристики.

ВНИМАНИЕ! Винаги носете защитни очила или лицева маска, за да намалите риска от нараняване от изхвърчали предмети. Моторният трион е способен да причинява изхвърчаване на предмети, такива като парчета дървесина, малки късчета дървесина и др., с голяма сила. Това може да доведе до сериозни наранявания, особено на очите.



ПРЕДУПРЕЖДЕНИЕ! Пускането на двигател в затворено или лошо проветрено помещение може да доведе до смъртен случай или отравяне от въглероден окис.



ПРЕДУПРЕЖДЕНИЕ! Повреденото режещо оборудване или погрешна комбинация от шина и трионова верига увеличават риска от откат! Използвайте само комбинации от шина/трионова верига, които препоръчваме, и следвайте работните инструкции. Вижте инструкциите в раздела със заглавие Технически данни.

Винаги се осланяйте на здравия смисъл (2)

Когато боравите с моторен трион не винаги е възможно да се предугади всяка мислима ситуация, с която е възможно да се сблъскате. Винаги работете с повишено внимание и се осланяйте на здравия си смисъл. Избягвайте всички ситуации, за които считате, че няма да можете да се справите. Ако все още се чувствате несигурни за работните процедури след прочитането на тези инструкции, вие трябва да се консултирате с някой експерт преди да продължите работата. Не се колебайте да се свържете с дилъра си или с нас ако имате въпроси относно използването на моторния трион. Ние винаги с готовност ще се отзоваваме и ще ви осигуряваме съвет и помощ как да използвате ефективно и безопасно моторния си трион. Посетете даден курс на обучение за работа с моторен трион, ако е възможно. Вашият дилър, училище по дървообработване или библиотеката ви могат да ви осигурят с информация относно какви курсове на обучение и учебни материали се предлагат. Ние работим постоянно, за да подобряваме конструкцията и технологията – подобрения, които повишават безопасността и ефикасността ви. Посещавайте редовно вашия дилър, за да видите дали можете да извлечете изгода от новите функции, които сме въвели в продукта си.

Лична защитна екипировка



ПРЕДУПРЕЖДЕНИЕ! Повечето злополуки с верижни триони възникват при допир на оператора до веригата. При работа с машината трябва винаги да ползвате лична защитна екипировка одобрена от съответното ведомство. Личната защитна екипировка не изключва риск от травми, но намалява сериозността на травмата при злополука. Помолете своя дистрибутор за помощ при избора на подходяща екипировка.

- Одобрен шлем
- Антифони
- Защитни очила или маска
- Ръкавици със защита против разрез
- Панталони със защита срещу триона
- Ботуши със защита против разрез, стоманени бомбета и нехлъзгаща се подметка.
- Аптеката за първа помощ трябва винаги да е под ръка.
- Пожарогасител и лопата

Облеклото като цяло следва да е прилепнало до тялото, без това да ограничава движенията.

ЗАПОМНЕТЕ! От заглушителя на ауспуха, шината и триона или друг източник могат да изскочат искри. Винаги дръжте пожарогасителното оборудване близо и под ръка в случай, че ви потрябва. Това означава, че вие можете да помогнете за предотвратяване на горските пожари.

Защитното оборудване на машината

В този раздел се обясняват характеристиките на безопасна работа с машината и тяхната функция. Относно огледа и поддръжката, вижте инструкциите под заглавието Инспектиране, поддръжка и обслужване на оборудването за безопасна работа с моторен трион. Вижте инструкциите в раздела Ко е какво е? за да откриете къде по машината ви се намират тези компоненти.

Експлоатационният срок на машината може да бъде намален, а рискът от несчастни случаи увеличен, ако техническото обслужване на машината не се провежда правилно и ако обслужването и/или ремонтните дейности не се изпълняват професионално. Ако имате нужда от още информация, моля, обърнете се към най-близкия сервиз.



ПРЕДУПРЕЖДЕНИЕ! Никога не използвайте машина с дефектни компоненти от обезопасяващото оборудване. Обезопасяващото оборудване трябва да се проверява и поддържа. Вижте инструкциите в раздела Инспектиране, поддръжка и обслужване на оборудването за безопасна работа с моторен трион. Ако машината ви не мине всички проверки, отнесете я до обслужващия сервиз за ремонт.

Верижна спирачка и аварийен лост

Вашият моторен трион е оборудван със спирачка за триона, предназначена да спре триона при възникване на откат. Спирачката за триона намалява риска от несчастни случаи, но само ако вие не ги допускате.

Проявявайте предпазливост при работа и убедете се, че рисковият сектор за обратен тласък на шината, никога не се допира до предмет.

- Спирачката за триона (А) може или да бъде задействана ръчно (чрез лявата ви ръка) или чрез механизма за освобождаване на инерцията. (3)
- Спирачката се включва при преместване на аварийния лост (В) напред. (3)
- Това движение задвижва подпружинения механизъм, който опъва спирачната лента (С) около задвижващото устройство на двигателя (Д) (съединителният барабан). (4)

- Аварийният лост е не само предназначен за включване на верижната спирачка. Друго негово важно предназначение е да предпазва лявата ви ръка от допир с веригата, ако ръката се изплъзне от предната ръкохватка.
- Спирачката за триона трябва да бъде задействана при стартиране на моторния трион, за да се предотврати завъртането на триона.
- Използвайте спирачката за триона като "спирачка за паркиране" когато стартирате и когато се движите на къси разстояния, за да предотвратявате несчастни случаи ако съществува риск трионът случайно да удари някого или нещо наблизо.
- Верижната спирачка се освобождава като аварийният лост се издръпва назад по посока на предната ръкохватка.
- Обратният тласък може да бъде внезапен и силен. В повечето случаи тласъкът е незначителен и не предизвиква винаги задвижване на верижната спирачка. При подобен тласък верижният трион трябва да се държи здраво и да не се отпусна.
- Начинът на включване на верижната спирачка, ръчно или автоматично, зависи от силата на обратния тласък на шината, както и от положението на триона спрямо предмета попаднал в сектора с риск за обратен тласък на шината.

Ако ви се случи силен откат докато зоната на откат на шината е в най-отдалеченото си положение от вас, спирачката за триона е конструирана така, че да се задейства от момента на противотежестта (задействана от инерцията) в посока на отката.

При по-слаб тласък или ако рисковият сектор на тласъка на шината се намира по-близо до оператора, верижната спирачка се включва ръчно с лявата ръка.

- Когато операторът е застанал в положение на рязане лявата му ръка е в положение, което прави невъзможно ръчното задействане на спирачката на триона. При този тип захват, тоест когато лявата ръка е поместена така, че да не може да влияе на движението на предната защита за ръцете, спирачката на триона може да се задейства само чрез силата на инерцията.

В случай на откат ръката ми винаги ли ще задейства спирачката на триона?

Не. За придвижването на защитата срещу откат напред е нужна специална сила. Ако ръката ви само докосне леко защитата срещу откат или само се плъзне върху нея, може да се случи така, че тази сила да не е достатъчна, за да освободи спирачката на триона. Вие трябва също така да стискате здраво ръкохватката на моторния трион при работа. Ако го направите и се получи откат, може би не ще успеете да пуснете ръката си от предната ръкохватка и

няма да задействате спирачката на триона, или може би спирачката ще се задейства едва когато трионът е успял да се извърти много назад. При такава ситуация може да се получи така, че спирачката на триона да не успее да спре триона преди да ви удари.

При някои работни положения на тялото може да се случи така, че ръката ви да не може да достигне защитата срещу откат, за да задейства спирачката за триона; например, когато трионът се държи в положение на рязане.

Ще успява ли винаги силата на инерция да задейства спирачката на триона в случай на откат?

Не. Първо, спирачката ви трябва да работи. Тестването на спирачката е лесно, вижте инструкциите под заглавието Инспектиране, поддръжка и обслужване на оборудването за безопасна работа с моторен трион. Препоръчваме ви да го правите преди началото на всяка работна смяна. Второ, откатът трябва да е достатъчно мощен, за да задейства спирачката на триона. Ако спирачката на триона е била прекалено чувствителна, тя ще се задейства постоянно, което би довело до проблеми.

Спирачката на триона винаги ли ще ме предпазва от нараняване ако се получи откат?

Не. Преди всичко спирачката ви трябва да работи, за да осигури нужната защита. Второ, тя трябва да се задейства както е описано по-горе, за да спре моторния трион в случай на откат. Трето, спирачката на триона може да се задейства, но ако шината е прекалено близко до вас може да се получи така, че спирачката да не успее да забави и спре триона преди да ви удари.

Единствено вие и определена правилна работна техника може да елиминират възможността за възникване на откат и свързаните с него рискове.

Фиксатор на дроселната клапа

Фиксаторът на регулатора за газта е конструиран така, че да предотвратява нежелано задействане на регулатора на газта. Когато притиснете фиксатора (А) (тоест, когато притиснете ръкохватката) той освобождава регулатора на газта (В). При освобождаване на ръкохватката, регулаторът на газта и фиксаторът на регулатора на газта се връщат в първоначалните си положения. Тази подредба означава, че регулаторът автоматично се блокира при работа на празен ход. (5)

Уловител на веригата

Уловителят на веригата е предназначен да удържи веригата, ако тя се разкъса или се откачи. В повечето случаи това може да се избегне, ако веригата е правилно опъната (виж указанията в раздел Монтиране) и ако шината и веригата се поддържат и подлагат редовно на сервис (виж указанията в раздел Основни указания за работа).

Предпазител за дясната ръка

Освен че предпазителят за дясната ръка предпазва в случай на откочане или разкъсване на веригата, той не дава възможност на клончета и трески да повлияят ръката на задната ръкохватка.

Антивибрационна система

Вашата машина е снабдена с антивибрационна система, свеждаща до минимум вибрацията и облекчаваща работата.

Антивибрационната система на машината намалява вибрацията, предаваща се от двигателя/ренището оборудване върху ръкохватката на машината. Корпусът на верижния трион е окачен, заедно с ренището оборудване, към държките чрез т.н. антивибрационен елемент.

При сечене на твърда дървесина (повечето видове широколистни дървета) вибрацията е по-силна, отколкото при рязане на мека дървесина (повечето видове иглолистни дървета). Рязането с изтъпена или неизправна верига (погрешен тип или неправилно наточена верига) води до повишаване на равнището на вибрацията.



ПРЕДУПРЕЖДЕНИЕ! Прекаленото излагане на вибрации може да доведе до увреждане на кръвоносната система или увреждане на нервите при хора с влошена кръвна циркулация. Свържете се с лекаря си ако изпитвате симптоми от прекалено излагане на вибрации. Тези симптоми включват изтръпване, загуба на усещане, боцкане, болка, загуба на сила, промени в цвета на кожата или състоянието. Тези симптоми се проявяват обикновено в пръстите, ръцете или китките. Тези симптоми могат да се влошат при студени температури.

Ключ стоп

Използвайте ключа стоп за спиране на двигателя.

Ауспух

Заглушителят на ауспуха е предназначен да понижава нивото на шумовете и да отвежда отработените газове надалеч от потребителя.



ПРЕДУПРЕЖДЕНИЕ! Отработените газове от двигателя са горещи и в тях могат да съдържат искри, които да предизвикат пожар. Не стартирайте никога машината в помещение или близо до горивни материали!

В страни с горещ и сух климат съществува висок риск от горски пожари. Може да се получи така, че законодателството и изискванията в тези страни да изискват, наред с другите си изисквания, заглушителят на ауспуха да бъде покриван с искрогасителна мрежа (А). (6)



ВНИМАНИЕ! Заглушителят на ауспуха се сгорещява силно при работа и след спиране. Това се отнася също така и до случаите при работа на двигателя на празен ход. Обръщайте внимание на опасността от пожар, особено когато работите в близост до огнеопасни субстанции и/или газове.



ПРЕДУПРЕЖДЕНИЕ! Никога не използвайте моторния трион, ако заглушителят на ауспуха липсва или е дефектен. Дефектният заглушител на ауспуха може значително да увеличи нивото на шума и опасността от пожар. Дръжте противопожарното оборудване така, че да ви е под ръка. Никога не използвайте моторен трион ако искрогасителната мрежа липсва или е дефектна когато наличието на такава е задължително в района, в който работите.

Режещо оборудване

Този раздел описва как чрез правилна поддръжка и правилен избор на режещото оборудване се постига следното:

- Намалява се вероятността от обратен тласък на машината.
- Намалете риска от счупване или подскачане на моторния трион.
- Придобийте максимално майсторство при рязане.
- Продължава се експлоатационната продължителност на режещото оборудване.
- Избягвайте излагането на силни нива на вибрация.

Основни правила

- Използвайте единствено режещото оборудване препоръчано от нас! Вижте инструкциите в раздела със заглавие Технически данни.

- Убедете се, че режещите зъби на веригата са наточени правилно! Спазвайте нашите инструкции и използвайте препоръчания шаблон за пилата. Работа с повредена или лошо наточена верига повишава риска от злополуки.
- Поддържайте правилната хлабина при ограничителя на подаването! Следвайте инструкциите ни и използвайте препоръчаната калибровка на ограничителя на подаването. Прекалено голямата хлабина повишава риска от откат.
- Поддържайте необходимото обтягане на веригата! Провиснала верига увеличава риска от откачане и допринася за по-бързо износване на шината, веригата и задвижващото колело.
- Смазвайте редовно режещото оборудване и извършвайте правилна поддръжка! Лошо смазаната верига увеличава риска от разкъсване, като едновременно ускорява износването на шината, веригата и задвижващото колело.

Режещото оборудване е конструирано с цел минимизиране на отката



ПРЕДУПРЕЖДЕНИЕ! Повреденото режещо оборудване или погрешна комбинация от шина и трионова верига увеличават риска от откат! Използвайте само комбинации от шина/трионова верига, които препоръчваме, и следвайте работните инструкции. Вижте инструкциите в раздела със заглавие Технически данни.

Единственият начин да избегнете обратен тласък е винаги да проверявате рисковият сектор на шината никога да не допира до какъвто и да е предмет.

Ефектът от обратен тласък може да се намали чрез използването на режещо оборудване с "вградена" защита срещу тласък и чрез правилно поддържане и наточване на веригата.

Шина

Колкото е по-малък радиуса на закръглянето при върха, толкова е по-малък рискът от откат.

Верига

Веригата се състои, както в стандартния така и във варианта с намален обратен тласък, от определен брой различни звена.



ЗАПОМНЕТЕ! Няма моторни триони, при които изцяло да е елиминиран рискът от откат.



ПРЕДУПРЕЖДЕНИЕ! Всеки контакт с въртящ се моторен трион може да причини изключително сериозни наранявания.

Някои термини, характеризиращи шината и веригата

За да поддържате всички безопасни функции на оборудването на триона, вие трябва да заместите износените и повредени комбинации от шина/трион с шина и трион, препоръчвани от Jonsered. Вижте инструкциите в раздела Технически данни за информацията относно кои комбинации шина/трион препоръчваме.

Шина

- Дължина (дюйма/см)
- Брой на зъбците на челното колело (Т).
- Стъпка на веригата (=питцх) (дюйма). Челното колело на шината и задвижващото колело на веригата на триона трябва да са регулирани за разстоянието между задвижващите звена на веригата.
- Брой на задвижващите звена (бр). Броят на задвижващите звена се определя от дължината на шината в комбинация със стъпката на веригата и броя на зъбците на челното колело.
- Ширина на жлеба на шината (дюйма/мм). Ширината на жлеба на шината трябва да съответствува на дебелината на задвижващите звена на веригата.
- Отвърстие за смазване на веригата на триона и отвърстие за натегателя на веригата. Шината трябва да съответствува на конструкцията на триона.

Верига

- Стъпка на веригата (=питцх) (дюйма)
- Дебелина на задвижващите звена (мм/дюйма)
- Брой на задвижващите звена

Заточване на триона и регулиране хлабината на ограничителя на подаване



ПРЕДУПРЕЖДЕНИЕ! Когато работите с триона винаги носете ръкавици, за да защитите ръцете си от нараняване.

Обща информация за наточването на режещите зъби

- Никога не използвайте тъп трион. Когато трионът е тъп, налага ви се да упражнявате повече сила, за да прокарвате шината през дървесината и нарязаният обем ще бъде много малък. Много тъпият трион изобщо не може да реже дървесина. В резултат ще се получават само стърготини.
- Острият трион си прокарва път през дървесината и е в състояние да прави дълги и дълбоки срезове.
- Режещата част от триона се нарича режещо звено и се състои от един режещ зъб (А) и ръба на ограничителя на подаване (В).

дълбочината на срязване се определя от разликата във височината между двете. (7)

Когато заточвате даден режещ зъб трябва да имате предвид четири важни фактора.

- 1 Ъгъл на пилене
- 2 Челен ъгъл
- 3 Разположение на пилата
- 4 Диаметър на кръглата пила

Много е трудно да се заточи даден трион правилно без необходимото оборудване. Препоръчваме ви да използвате нашата калибровка. Това ще ви помогне да постигнете максимално намаление на отката и максимална производителност от вашия трион. Вижте инструкциите в раздела Технически данни за информацията относно заточването на триона ви.



ПРЕДУПРЕЖДЕНИЕ! Отклонението от инструкциите по заточване значително увеличава риска от откат.

Наточване на режещия зъб

За заточване на режещите зъби вие ще се нуждаете от кръгла пила и калибровка. Вижте инструкциите в раздела Технически данни за информацията относно размера на пилата и калибровката, които се препоръчват за вашия моторен трион.

- Проверете опъна на веригата. Ако верига е провиснала, тя е странично нестабилна, което затруднява правилното наточване.
- Режещ зъб винаги се наточва, като се започва от вътрешната страна и се пили навън. Пилете по-слабо, като го връщате обратно пилата. Изпилете първо зъбите от едната страна, след което обърнете верижния трион и изпилете зъбите от другата страна.
- Пилете така, че всички зъби да са с еднаква дължина. Когато дължината на режещите зъби се намали до 4 мм (0,16") веригата е износена и трябва да се изхвърли. (8)

Общи съвети по настройката на хлабината на ограничителя на подаване

- Когато заточвате режещите зъби вие намалете хлабината на ограничителя на подаване (дълбочината на рязане). За да поддържате режещата работоспособност вие трябва да изпилите обратно зъбите на ограничителя на подаване до препоръчаната височина. Вижте инструкциите в раздела Технически данни, за да откриете хлабината на ограничителя на подаване за вашия специфичен модел моторен трион.



ПРЕДУПРЕЖДЕНИЕ! Рискът от откат нараства с прекомерното увеличаване на хлабината на ограничителя на подаване!

Регулиране на хлабината на ограничителя на подаване

- Режещите зъби трябва бъдат праснозаточени преди регулирането на хлабината на ограничителя на подаване. Препоръчваме ви да регулирате хлабината на ограничителя на подаване при всяко трето заточване на триона. **ЗАБЕЛЕЖКА!** Тази препоръка предполага, че дължината на режещите зъби не е прекалено намалена.
- Вие ще се нуждаете от плоска пила и калибровка за ограничителя на подаване, за да регулирате хлабината на ограничителя на подаване. Препоръчваме ви да използвате нашата калибровка за хлабината на ограничителя на подаване, за да направите правилно измерване на хлабината на ограничителя на подаване и правилния ъгъл на ръба на ограничителя на подаване.
- Поставете калибровката върху трионовата верига. Информацията за начина на използване на калибровката може да се намери върху опаковката. Използвайте плоската пила, за да изпилите излишъка от стърчащата част на ръба на ограничителя на подаване. Хлабината на ограничителя на подаване е правилна когато вече не усещате никакво съпротивление докато прекарвате пилата върху калибровката.

Натягане на веригата



ПРЕДУПРЕЖДЕНИЕ! Недостатъчно натегната верига може да се откачи и да предизвика сериозни и дори смъртоносни травми.



ПРЕДУПРЕЖДЕНИЕ! Носете винаги одобрени защитни ръкавици. Трионова верига, която не се движи, също така може да причини сериозно нараняване на потребителя или други лица, които имат достъп до веригата.

Колкото повече ползвате веригата, толкова по-дълга става тя. Важно е режещото оборудване да се регулира така, че да отговаря на настъпващите промени.

При всяко зареждане с гориво проверявайте как е натегната веригата. **ВНИМАНИЕ!** Нова верига има период на разработване, по време на който трябва да се проверява по-често опъна.

Най-общо правило е веригата да е опъната възможно по-силно, но същевременно трябва да може да се движи леко с ръка. (9)

- Разхлабете гайките на шината, които държат капака на съединителя и верижната спирачка. Използвайте за целта комбиниран гаечен ключ. След това затегнете гайките колкото можете с ръка. (10)
- Повдигнете върха на шината и опънете веригата чрез затягане на обтегателния винт

с помощта на комбиниран гаечен ключ. Опъвайте веригата до момента, когато тя не провисва от долната страна на шината. (11)

- Използвайте комбинирания ключ за затягане на гайките на шината, като едновременно повдигнете върха на шината. Убедете се, че веригата може леко с ръка да се завърта около шината и че не провисва от долната страна на шината. (12)

Смазване на режещото оборудване



ПРЕДУПРЕЖДЕНИЕ! Недостатъчно смазано режещото оборудване може да доведе до скъсване на веригата и до сериозни, дори смъртоносни травми.

Верижно масло

Верижното масло трябва да се задържа върху веригата и същевременно да е достатъчно втечнено, независимо дали времето е топло през лятото или студено през зимата.

Като производител на верижни триони ние сме разработили оптимално верижно масло на базата на растителна основа, което се разлага биологически. Ние препоръчваме използването на нашето масло както за постигане на максимална продължителност на живота на веригата, така и по отношение на околната среда. Ако не е възможно да се снабдите с наше верижно масло, ви препоръчваме да използвате стандартно верижно масло.

Не използвайте никога отпадъчно масло! Това е опасно за вас, машината и околната среда.

ЗАПОМНЕТЕ! Когато използвате растително масло за моторния трион, разгледете и почистете канала в шината и трионовата верига преди продължително съхранение. В противен случай съществува риск от окисляване на маслото за трионовата верига, което ще доведе до втвърдяване на компонентите на трионовата верига и блокиране на верижното колело на върха на шината.

Доливане на верижно масло

- Всички наши модели верижни триони имат автоматизирана система за смазване на веригата. Някои модели могат да се доставят дори с механизъм за регулиран приток на масло.
- Резервоарът за масло на трионовата верига и резервоарът за гориво са конструирани по такъв начин, че горивото се изразходва преди маслото за трионовата верига. Все пак, тази характеристика за безопасна работа изисква да използвате правилния вид масло за триона (ако маслото е прекалено рядко то ще се изразходва преди горивото), и да регулирате

карбуратора според изискванията (една слаба смес може да означава, че гориво ще има по-продължително време от маслото). Вие също така трябва да използвате препоръчаното режещо оборудване (шина, която е прекалено дълга, ще използва повече масло за триона).

Проверка на смазката на веригата

- Смазката на веригата трябва да се проверява при всяко зареждане с гориво. Вижте инструкциите под заглавието Смазване на върха на шината.

Насочете върхът на шината към светъл, неподвижен предмет, намиращ се на разстояние около 20 см (8 дюйма). След работа в продължение на 1 мин при 3/4 подадена газ, трябва да се очертае отчетлив ръб от маслото върху светлата повърхност.

Ако установите, че веригата не се смазва:

- Проверете дали не е задръстен масленият канал на шината. Почистете при необходимост.
- Убедете се, че жлебът на шината е чист. Почистете при необходимост.
- Убедете се, че челното колело на шината се върти свободно и че отвърстието за смазочно масло на челното колело не е задръстено. Почистете и смажете при необходимост.

Ако веригата не може да се смаже, след като сте извършили горните проверки и сте изпълнили всички препоръки, трябва да се обрънете към сервиза си.

Задвижващото колело на веригата

Барабанът на съединителя е съоръжен с едно правозъбно колело (верижното зъбно колело е заварено върху барабана).

Необходимо е редовно да се проверява степента на износването на задвижващото колело на веригата. При прекомерно износване то трябва да се смени. При всяка смяна на веригата трябва да се смени и задвижващото колело на веригата.

Проверка на износването на режещото оборудване

По отношение на веригата трябва ежедневно да се проверява следното:

- Видими пукнатини в нитовите и звената.
- Твърдост на веригата.
- Силно износени нитове и звена.

Подменяйте трионовата верига, ако тя демонстрира който и да е от пунктовете, посочени по-горе.

Препоръчваме ви да извършвате сравнение с нова верига, за да определите степента на износване.

Когато дължината на режещите зъби се износи до 4 мм, веригата трябва да бъде изхвърлена.

Шина

Проверявайте редовно за:

- Острини от външната страна на ръбовете на шината. Изпилвайте при необходимост. (13A)
- Силно износване на жлеба на шината. При необходимост подменете шината. (13B)
- Неравности или силно износване на върхът на шината. Ако по върха на шината се е образувала "вдлъбнатина" това означава, че сте работили с недостатъчно опъната верига.
- За да се продължи животът на шината тя трябва всеки ден да се обръща.



ПРЕДУПРЕЖДЕНИЕ! Повечето злополуки с верижни триони възникват при допир на оператора до веригата.

Използвайте личната защитна екипировка. Виж указанията в раздел Лична защитна екипировка.

Избягвайте всички видове операции, за които се смятат недостатъчно квалифицирани. Виж указанията в разделите Лична защитна екипировка, Мерки за избягване на обратен тласък, Режещо оборудване и Основни указания за работата.

Избягвайте ситуации с риск от обратен тласък. Виж указанията в раздел Защитно оборудване на машината.

Използвайте препоръчаната защитна екипировка и проверявайте състоянието на същата. Виж указанията в раздел Основни указания за работата.

Убедете се, че всички защитни приспособления на верижния трион са в изправност. Виж указанията в разделите Основни указания за работа и Основни предпазни мерки по техниката за безопасност.

Монтиране на шината и веригата



ПРЕДУПРЕЖДЕНИЕ! Изключвайте двигателя преди изпълнението на каквито и да е проверки или техническа поддръжка. Изключвателят автоматично се връща на първоначалното си положение. За да предотвратите неумишлено запалване капачката на свещта трябва да бъде отстранена от свещта при монтиране, проверка и/или провеждане на техническа поддръжка.

Когато работите с триона винаги носете ръкавици, за да защитите ръцете си от нараняване.

Убедете се, че верижната спирачка е изключена, като преместите предпазителя за дясната ръка към предната ръкохватка.

Отвинтете гайките на шината и свалете капака на съединителя. Свалете защитата за транспортиране. (A) (14)

Поставете шината върху болтовете за шината. Шината трябва да се намира в крайно задно положение. Поставете веригата върху задвижващото колело на веригата и жлеба на шината. Започнете от горната страна на шината. (15)

Монтирайте капака на съединителя (спирачката на веригата) и не забравяйте да сложите регулиращия щифт на веригата в отвора в шината. Проверете дали звената на веригата са легнали добре на задвижващия венец и дали веригата е правилно прокарана в жлеба на шината. Затегнете докрай гайките на шината на ръка. (16)

Натегнете веригата с помощта на комбиниран гаечен ключ, като въртите регулиращият в посока на по часовниковата стрелка. Веригата се опънва докато не увисва под долната страна на шината. Вижте инструкциите в раздела Натягане на трионовата верига. (17)

Веригата е опъната правилно, когато не провисва под долната страна на шината, но лесно може да се завърта с ръка. Затегнете гайките на шината с комбиниран гаечен ключ, като същевременно държите върха на шината нагоре. (18)

При нова верига трябва често да се проверява натягането ѝ, докато веригата пасне. Опънът на веригата трябва да се проверява редовно. Правилно натегнатата верига притежава добри режещи характеристики и дълъг живот. (19)

Монтиране на амортизатор

За монтаж на амортизатор се обърнете към сервиза си.

Горивна смес

ЗАБЕЛЕЖКА! Машината е оборудвана с двутактов двигател и винаги трябва да работи със смес от бензин и двутактово масло. Важно е да се измерва точно количеството масло, което трябва да се смеси, за да се осигури получаването на точната смес. Когато смесват малки количества гориво, дори и дребните неточности могат драстично да въздействат върху съотношението на сместа.



ПРЕДУПРЕЖДЕНИЕ! При работа с горивото трябва винаги да се осигурява добра вентилация.

Бензин

- Ползвайте с висококачествен безоловен или оловен бензин.
- Най-ниското препоръчвано октаново число е 90 (RON). Ако двигателят ви работи с октаново число, по-ниско от 90, може да се получи така нареченото "биене". Това води до една по-висока температура на двигателя и повишено натоварване на лагерите, което от своя страна може да доведе до сериозни повреди на двигателя.
- При продължителна работа на високи обороти (например при кастрене) се препоръчва използване на бензин с по-високо октаново число.

Сработване

Избягвайте да работите при прекалено високи обороти за продължителен период от време през първите 10 часа.

Масло за двутактов двигател

- Използвайте двутактовото двигателно масло на JONSERED, което е специално произведено за двутактови двигатели с въздушно охлаждане, за да получите най-добър резултат и производителност.
- Никога не използвайте двутактово масло, предназначено за извънбордови двигатели с водно охлаждане, понякога обозначавано като масло за извънбордови двигатели (което носи името TCW).
- Забранено е използването на масло за четиритактови двигатели.
- Смес с нискокачествено масло или прекалено богата на масло/гориво може да изложи на опасност функцията на каталитичния конвертор и да намали експлоатационния му живот.

Състав на сместа

1:50 (2%) с двутактовото масло на JONSERED.

1:33 (3%) с други масла, предназначени за двутактови двигатели с въздушно охлаждане, класифицирани за JASO FB/ISO EGB.

Бензин, литри	Масло за двутактов двигател, литри	
	2% (1:50)	3% (1:33)
5	0,10	0,15
10	0,20	0,30
15	0,30	0,45
20	0,40	0,60

Приготвяне на сместа

- Бензинът трябва да се смесва с маслото в чист резервоар, предназначен за горивото.
- Отначало трябва да налеете половината от предвиждания за използване обем на бензина. След това се добавя цялото количество масло. Смесете (разтърсете) горивния смес. Долейте останалото количество гориво.
- Разбъркайте внимателно горивната смес (чрез разтърсване) преди да я налеете в горивния резервоар на машината.
- Не смесвайте гориво за повече от нужното ви за един месец.
- Ако продължителен период не използвате машината, горивният резервоар трябва да бъде изпразнен и почистен.

Верижно масло

- За смазване ние препоръчваме да използвате специално масло (верижно масло) с добри адхезионни характеристики.
- Не работете с отпадъчно масло. Това води до повреди маслената помпа, шината и веригата.
- Важно е да използвате правилния тип масло, подходящо за температурата на въздуха (подходящ вискозитет).
- При температура под 0oC някои масла губят вискозитета си. Това може да доведе до претоварване на маслената помпа и повреда на детайлите ѝ.
- За избора на верижното масло се обърнете къмсервиза си.

Зареждане с гориво



ПРЕДУПРЕЖДЕНИЕ! Спазването на следните предпазни мерки намалява опасността от пожар:

Не пушете и не помествайте никакви нагорещени предмети в близост до горивото.

Преди зареждането с гориво трябва непременно да се изключи двигателят и да се остави за няколко минути да изстине.

Отворете внимателно капака на горивния резервоар за да се отстрани евентуално свръхналягане.

След зареждането с гориво грижливо завинтете капака на горивния резервоар.

Преди стартирането машината трябва да бъде преместен от мястото, където е била заредена с гориво.

Почистете капака на горивния резервоар. Резервоарите за горивото и верижното масло трябва да се почистват редовно. Замърсяване в резервоарите води до смущения в работата. Горивният филтър трябва да се сменя най-малкото един път годишно. Убедете се, че горивото е смесено добре, разтърсвайки го преди зареждането. Обемите на резервоарите за горивото и верижното масло са съобразени един спрямо друг. Ето защо винаги трябва да се извършва едновременно зареждане с гориво и с верижно масло.



ПРЕДУПРЕЖДЕНИЕ! Гориво и горивни пари се възпламеняват лесно. Бъдете предпазливи при работа с горивото и верижното масло. Съобразявайте се с опасността от пожар, експлозии и при вдишване.

Безопасност при боравене с гориво

- Никога не зареждайте гориво при включен двигател на машината.
- При зареждане или смесване на горивото (бензин и двутактово масло) убедете се, че вентилацията е достатъчна.
- Преди да стартирате машината я пренесете най-малко на 3м разстояние от мястото на зареждане с гориво.
- Никога не стартирайте машината:

- 1 Ако сте разлели гориво или верижно масло върху машината. Изтрийте разлялото се гориво или масло и оставете остатъците от горивото да се изпарят.
- 2 Ако сте излели гориво върху себе си или дрехите си се преоблечете. Измийте тези части на тялото си, които са били в контакт с гориво. Използвайте сапун и вода.
- 3 Ако машината има теч на гориво. Проверявайте редовно за течове от капака и маркучите за горивото.



ПРЕДУПРЕЖДЕНИЕ! Никога не използвайте машина с видими повреди на защитата на запалителната свещ и запалителния кабел. Възниква риск от изскачане на искри, които да доведат до пожар.

Транспорт и съхранение

- Пазете винаги верижния трион и горивото далеч от всякакви източници на искри или открит огън, например машини, електродвигатели, релета/ превключватели, котли и т.н.
- Горивото трябва винаги да се съхранява в предназначени и одобрени за тази цел туби.
- При продължително съхраняване или при транспортиране на верижния трион, горивният резервоар и резервоарът с верижно масло трябва да бъдат празни. Уточнете предварително в местната бензиностанция къде можете да излеете използваното вече гориво и верижно масло.
- Уверете се, че машината е почистена и че преди дългосрочното законсервиране е проведено пълно обслужване.
- Защитата при транспортиране трябва винаги да бъде монтирана към режещото оборудване когато машината се транспортира или е оставена на съхранение, за да се предотврати случаен контакт с острата верига. Трионова верига, която не се движи, също така може да причини сериозно нараняване на потребителя или други лица, които имат достъп до веригата.
- Обезопасете машината при транспортиране.

Продължително съхраняване

Изпразвайте резервоарите за гориво и масло в добре проветрявано пространство. дръжте горивото в одобрени за целта туби и в обезопасено място. Монтирайте защитата на шината. Почистете машината. Вижте инструкциите в раздела със заглавие Техническо обслужване.

Стартиране и изключване



ПРЕДУПРЕЖДЕНИЕ! Преди стартиране обърнете внимание на следното:

Спирачката на триона трябва да се задейства със стартирането на моторния трион, за да се намали риска от контакт с въртящия се трион.

Не стартирайте верижния трион без шината, веригата на триона и всички капади да са монтирани. В противен случай съединителят може да се откачи и да доведе до телесна повреда.

Поставете машината на стабилна основа. Убедете се, че имате устойчива опора и че веригата не се допира до нищо.

В зоната на работа не бива да има външни хора.

Студен двигател

Стартиране: Верижната спирачка трябва да е задействана, когато се стартира верижният трион. Активирайте спирачката, като преместите аварийния лост напред. (20)

1. Горивна помпа: Помпайте гумения мехур на горивната помпа докато горивото започне да запълва мехура. Не е необходимо мехурът да се напълни изцяло. (23)

2. Смукач: Издърпайте докрай синята ръчка на смукача (регулатора на стартовата газ) до положение FULL CHOKE ("СМУКАЧ ДОКРАЙ"). Когато лостът на смукача и регулатора на високите обороти при празен ход е издърпан на максимална степен, правилната настройка на газта се задава автоматично. (21)

Стартова газ: Комбинирано положение на смукач/стартова газ се получава, когато смукачът е задействан. (22)

Стартиране

Хванете предната дръжка с лявата ръка. Поставете десния си крак върху долната част на задната дръжка и притиснете верижния трион към земята.

3. Дръпнете дръжката на стартера с дясната ръка и изтегляйте бавно въжето на стартера, докато усетите съпротива (когато стартовите зъбци зацепват), а след това издърпайте с бързо и силно движение, докато двигателят запали. Не бива никога да навивате стартерния шнур около ръката си. (25)

ВНИМАНИЕ! Не бива да се издърпва изцяло стартовото въже и да се отпусна дръжката на стартера при напълно изтеглено положение. Това може да повреди машината.

4. Издърпайте смукача до настройката g1/2 смукач веднага щом двигателят запали, което може да се разбере по глуфкация" звук. (21)

5. Продължавайте да дърпате силно шнура, докато двигателят запали. (26) Оставете двигателя да се затопли за трийсетина секунди, след което стиснете регулатора за газта, за да зададете нормалните празни обороти. Тъй като спирачката на веригата е още задействана, оборотите на двигателя трябва да се настроят на празен ход колкото може по-скоро - това се постига с бързо еднократно натискане на ръчката на газта. Това ще предотврати ненужното износване на челостите и барабана на съединителя и на спирачката накладка. **ЗАБЕЛЕЖКА!** Задействайте повторно спирачката за триона, като натиснете предната защита за ръцете, (маркирана "PULL BACK TO RESET") назад към предната ръкохватка. Моторният трион сега е готов за работа. (27)

Загрят двигател

Използвайте същата процедура, както при стартиране на студен двигател, но без издърпване на смукача. Поставете газта в положение за стартиране, като издърпате синия смукач в крайно положение, след което го върнете обратно навътре. (24)



ПРЕДУПРЕЖДЕНИЕ! Дълготрайно вдишване на отработени газове от двигателя, изпарения от верижното масло и прах от дървени стърготини могат да представляват риск за здравето.

- Никога не стартирайте верижния трион без шината, веригата на триона и всички капади да са монтирани правилно. Виж указанията в раздел Монтиране Без шината и веригата монтирани към моторния трион, съединителят може да се разхлаби и да причини сериозно нараняване. (28)
- Спирачката на триона трябва да се задейства със стартирането на моторния трион. Вижте инструкциите в раздела със заглавието Старт и стоп. Никога не стартирайте моторния трион със замах. Този метод е изключително опасен тъй като вие лесно можете да изгубите контрола върху моторния трион. (29)
- Машината не бива да се стартира в помещение. Отработените газове могат да бъдат опасни при вдишване.
- Убедете се, че наблизо няма хора или животни, които могат да влязат в допир с ренещото оборудване.
- Винаги дръжте моторния трион с две ръце. дръжте дясната си ръка върху задната ръкохватка, а лявата ръка върху предната ръкохватка. Всички потребители, без значение дали боравят с дясна или лява ръка, трябва да използват този захват. дръжте ръкохватката здраво, така че вашите пръсти да се обвиват около ръкохватката на моторния трион. (30)

Изключване

Изгасете двигателя с натискане на бутона за спиране. (31)

Преди всяка употреба: (32)

- 1 Убедете се, че верижната спирачка действа правилно и не е повредена.
- 2 Убедете се, че задният предпазител за дясната ръка е в изправност.
- 3 Убедете се, че фиксатора на дроселната клапа действа правилно и не е повреден.
- 4 Проверете дали изключвателят работи правилно и не е повреден.
- 5 Убедете се, че ръкохватките не са изцапани с масло.
- 6 Убедете се, че антивибрационната система действа и не е повредена.
- 7 Убедете се, че ауспухът е закрепен здраво и не е повреден.
- 8 Убедете се, че всички детайли на верижния трион за затегнати и че не са повредени или липсват.
- 9 Убедете се, че уловителят на веригата е на мястото си и не е повреден.
- 10 Проверете натягането на веригата.

Основни указания за работа

ЗАПОМНЕТЕ!

В този раздел са описани основните правила на техниката за безопасност при работа с верижен урион. Тази информация не може да замени професионалната квалификация и опит на един специалист. Ако се окажете в ситуация, в която чувствувате неувереност, преустановете работа и се посъветвайте със специалист. Обърнете се към вашия магазин за верижни триони, сервиза си или някой, който има опит при боравенето с верижен трион. Избягвайте работата, за която смятате, че не сте достатъчно квалифицирани!

Преди да започнете работа трябва да разберете явлението обратен тласък и как да го избягвате. Виж указанията в раздел Мерки за избягване на обратен тласък.

Преди да започнете работа трябва да разберете разликата между рязане с горния и долния ръб на шината. Вижте инструкциите в раздела Как да избягвате отката и Оборудване за безопасна работа с машината.

Използвайте личната защитна екипировка. Виж указанията в раздел Лична защитна екипировка.

Основни правила за безопасност

- 1 Огледайте се:
 - Убедете се, че наблизо няма хора, животни или други обекти, които могат да попречат на работата ви.
 - Убедете се, че няма никой, който би могъл да се допре до веригата или да бъде контузен от падащите дървета.

ВНИМАНИЕ! Спазвайте посочените по-горе инструкции, но не работете с верижен трион,

без възможност да повикате помощ в случай на злополука.

- 2 Не работете при лоши климатични условия. Например при плътна мъгла, силен дъжд, силен вятър, силен студ и т.н. Работата в лошо време е изморителна и може да доведе до опасни ситуации, като например хлъзгавост, повлияване посоката на падане на дървото и т.н.
- 3 Бъдете предпазливи при премахването на срязване на дребни клонки и избягвайте рязането на храсти (т.е. едновременно рязане на голям брой дребни издънки). Дребните издънки могат да се задръстят във веригата, да ви ударят и с това да предизвикат сериозна травма.
- 4 Погрижете се да можете да стоите и да се предвижвате безопасно. Проверете за евентуални препятствия при неочаквано предвижване (корени, камъни, храсти, канавки и т.н.). Бъдете много предпазливи при работете в неравен терен.
- 5 Бъдете изключително предпазливи при срязване на напрегнати стъбла. Напрегнатото стъбло може, като преди, така и след като го сренете, внезапно да отскочи и да се върне в естественото си положение. Ако стоите откъм неправилната страна или срязвате на неправилно място, стъблото може да удари Вас или машината така, че да загубите контрол. И двете обстоятелства могат да доведат до сериозна телесна повреда.
- 6 Преди предвижване спрете двигателя и фиксирайте веригата с помощта на верижната спиралка. Носете верижния трион с обвърнати назад шина и верига. При пренасяне на по-голямо разстояние и транспорт следа да се постави калъф на шината.
- 7 Когато поставяте моторния трион върху земята заключвайте го, като използвате спиралката за триона и си осигурявайте постоянен надзор върху машината. Изключвайте двигателя преди да оставяте моторния трион за каквото и да е време.



ПРЕДУПРЕЖДЕНИЕ! Понякога в капака на съединителя засядат стърготини и задръстват веригата. Винаги изключвайте двигателя преди почистване.

Основни правила

- 1 Ако сте разбрали какво е обратен тласък и как възниква той, вие можете да намалите или да изключите момента на изненада. Изненадата увеличава риска от злополука. В повечето случаи обикновено обратният тласък е слаб, но той може да бъде и твърде внезапен и силен.
- 2 Винаги държете здраво верижния трион с дясната ръка върху задната ръкохватка, а лявата върху предната ръкохватка.

Обхванете дръжките с пръсти. Вие трябва да държите ръкохватките така дори ако сте левак. Този начин на държене свежда до минимум ефекта от обратния тласък и ви позволява да контролирате верижния трион. Не отпускате ръкохватките!

- 3 Злополуки от обратен тласък възникват най-често при кастрене на клони. Убедете се, че сте стъпили здраво и че около вас няма предмети, в които бихте могли да се спънете или биха ви накарали да загубите равновесие.

Невнимателност може да предизвика обратен тласък, ако рисковия сектор на шината случайно докосне клонче, съседно дърво или някакъв друг обект.

Упражнявайте контрол върху обработвания къс дървесина. Ако парчетата, които възнамерявате да режете, са дребни и леки, те могат да се затлачат в моторния трион и да изхвърчат срещу вас, дори и това да не представлява задължително опасност, вие може да се изненадате и да изгубите контрол върху моторния трион. Никога не ренете наредени на купчина дънери или клони без първо да ги разделите. Ренете само по един дънер или по един клон. Отстранявайте нарязаните парчета дървесина, за да пазите работната си площ чиста.

- 4 Никога не дръжте верижния трион по-високо от рамото си и избягвайте сечене с върха на шината. Никога не дръжте верижния трион само с една ръка! (33)
- 5 За да имате пълен контрол върху верижния си трион е необходимо да сте застанали устойчиво. Никога не работете застанали на стълба, покачени на дърво или когато не сте застанали на устойчива опора. (34)
- 6 Скоростта на рязането винаги трябва да бъде висока, т.е. при подаден пълна газ.
- 7 Бъдете много внимателни при рязане с горната страна на шината, т.е. при рязане откъм долната страна на обекта. Това се нарича рязане с тласкащ ход. Веригата изтласква верижния трион назад към оператора. Ако веригата се затлачи, моторният трион може да бъде отхвърлен към вас.
- 8 Ако операторът не устои на това тласкащо движение, има опасност верижният трион да бъде изтласкан толкова назад, че единствено рисковия сектор на шината да остане в допир с дървото, което води до обратен тласък. (35)

Рязането с долната страна на шината, т.е. от горната страна на обекта надолу, се нарича рязане с теглещ ход. В този случай верижният трион се насочва към дървото и предният ръб на корпуса на верижния трион става естествена опора при рязането. Рязането с теглещ ход облекчава контрола върху верижния трион и положението на рисковия сектор на шината.

- 9 Спазвайте инструкциите за наточване и поддръжка на шината и веригата. При смяна на шината и веригата използвайте само комбинации препоръчани от нас. Виж указанията в разделите Ренжесто оборудване и Технически характеристики.

Основни начини на рязане



ПРЕДУПРЕЖДЕНИЕ! Никога не използвайте моторния трион, като го държите само с една ръка. Моторният трион не може да се управлява по безопасен начин ако го държите само с една ръка. Винаги дръжте здраво ръкохватките като използвате и двете си ръце.

Основни принципи

- Ренжете винаги при подадена пълна газ!
- След всяко срязване двигателят трябва да се превключи на празен ход (продължителна пълна газ, без двигателят да е натоварен, т.з. без двигателят да изпитва съпротива от веригата както при рязане, може да предизвика сериозни повреди в двигателя).
- Рязане отгоре съответствува на рязане с "теглека" шина.
- Рязане отдолу съответствува на рязане с "тласкаща" шина.

Рязането с "тласкаща" верига увеличава опасността от обратен тласък. Виж указанията в раздел Мерки за избягване на обратен тласък.

Наименования

Рязане = Основен термин, обозначаващ рязане на дървесина.

Кастрене = Премахване на клоните от падналото дърво.

Кършене = Случай, когато дървото, което ренжете, се пречупва преди да сте завършили разреза.

Съществуват пет основни фактора, които трябва да се вземат под внимание преди да се пристъпи към рязане:

- 1 Ренжестото оборудване не бива да се заклещи в среза.
- 2 Стъблото не бива да се прекърши.
- 3 Веригата не бива по време на, или след отсичане да се допре до земята или друг предмет.
- 4 Съществува ли опасност от обратен тласък?
- 5 Могат ли теренът и околната среда да повлияят безопасността ви, когато стоите на място или се движите?

Възможността за заклещване на веригата или прекършване на стъблото се определя от два фактора: Опората на стъблото и неговата напрегнатост.

В повечето случаи тези проблеми могат да бъдат избегнати, като рязането се извършва на два етапа, както отгоре така и отдолу. Става дума да се предотврати стъблото да заклещи веригата или да се прекърши.

ЗАПОМНЕТЕ! Изключете двигателя ако веригата се заклещи в среза! Не се опитвайте да издърпате верижния трион. При издърпването можете да повредите веригата, когато верижният трион внезапно се освободи. Използвайте лост за освобождаване на верижния трион.

В следващите инструкции е описано как да се постъпи в най-често срещаните ситуации, с които можете да се сблъскате при използване на верижен трион.

Кастрене на клоните

При кастрене на дебелите клони трябва да се използват същите методи, както и при рязане.

Сложните клони трябва да се режат на отделни парчета.

Рязане



ПРЕДУПРЕЖДЕНИЕ! Никога не се опитвайте да ренжете дънери когато са на купчина или когато два дънера лежат близо един до друг. Този тип процедура драматично увеличава риска от откат, който може да доведе до сериозно или фатално нараняване.

Когато имате подредени на купчина дънери, всеки дънер, който възнамерявате да нарежете, трябва да бъде измъкнат от купчината, поставен на дървено магаре или опора и нарязан отделно.

Отстранявайте нарязаните парчета от работната площ. Ако ги оставяте върху работната площ вие увеличавате риска от откат и загуба на равновесие при работа.

Стъблото лежи на земята. Вероятността от притискане на веригата или прекършване на стъблото е малка. Съществува обаче опасност веригата да влезе в допир със земята след като завършите рязането.

Рязането се извършва, като се започне от горната страна. Постарайте се да не докосвате земята към края на отсичането. Работете при подадена пълна газ, но бъдете предпазливи. (36)

Ако имате възможност (= може ли да се преобърне стъблото?) трябва да прекратите рязането на 2/3 срязано стъблото.

Преобърнете стъблото и завършете рязането от противоположната страна.

Стъблото се опира върху земята от единия си край. Съществува голяма вероятност то да се прекърши.

Рязането трябва да започне отдолу (около 1/3 от диаметър на стъблото).

Рязането трябва да завърши отгоре така, че двата среза да съвпадат.

Стъблото лежи върху опора в двата си края. Съществува голяма вероятност веригата да се заклещи.

Рязането трябва да започне отгоре (като се среже близо 1/3 от дебелината).

Рязането трябва да бъде завършено така отдолу, че двата среза да съвпадат.

Техника на поваляне на дървета

ЗАПОМНЕТЕ! Повалянето на дървета изисква голям опит. Неопитният работник не бива да повали дървета. Избягвайте да извършвате операции, за които се смятате недостатъчно квалифициран!

Безопасно разстояние

Безопасното разстояние между дървото и най-близкото работно място трябва да е най-малко 2 1/2 дължини на дървото. Преди или в процеса на повалянето трябва да се убедите, че в тази "рискова зона" няма никого. (37)

Посока на повалянето

Целта е дървото да се повали така, че то да попадне в най-изгоден положение за понататъшното кастрене и разкрояване. Вие можете безопасно да се движите.

Непосредствено след като сте определили посоката, в която ще повалите дървото, трябва да определите естествената посока на падане на дървото.

Върху това влияят няколко фактори:

- Наклонът
- Изкривявания
- Посоката на вятъра
- Разположението на клоните
- Евентуално снежната тежест
- Препятствия в пределите на дървото: например, други дървета, електропроводи, пътища и сгради.
- Гледайте за признаци за увреждания и гиение в стъблото, наличието на такива признаци увеличава вероятността от прекършване на дървото и политането му към земята преди да сте го очаквали.

Вие може да стигнете до извода, че сте принудени да позволите на дървото да падне в естествената за него посока, тъй като е невъзможно и опасно да се опитвате да го повалите в избраната от вас посока.

Друг важен фактор, който не влияе на посоката на падането, но влияе на вашата лична

безопасност, е контролът дали на дървото има повредени или "мъртви" клони, които могат да се прекършат и да ви наранят при падане.

Преди всичко трябва да се избегне падащото дърво да се опре на друго дърво. Трудно и опасно е да изтегли дървото от това положение; има голям риск от злополука. Вж. Указанията в раздел Освобождаване на неправилно паднало дърво.

ЗАПОМНЕТЕ! По време на рисковите моменти при поваляне на дървета е необходимо да дръпнете антифоните веднага щом завършите рязането, за да можете да възприемате звуци и предупредителни сигнали.

Почистване на стъблото и отстъпване

Изрязвайте всички разклонения по стъблото до височината на рамото ви. По-безопасно е да работите отгоре надолу и дървото да е между вас и триона.

Изрежете издънките в основата на дървото и проверете за евентуални препятствия (камъни, клони, ями и т.н.), за да си осигурите свободен път за отстъпление, когато дървото започне да пада. Пътят на отстъпление трябва да има посока приблизително 135о зад набелязаната посока на повалянето. (38)

- 1 Зона на риск
- 2 Път за оттегляне
- 3 Посока на повалянето

Поваляне



ПРЕДУПРЕЖДЕНИЕ! Ако не сте достатъчно квалифициран вие съветваме да не повалите дървета с диаметър, превишаващ дължината на шината!

Повалянето се осъществява с използването на три среза. Първо се прави направляващ срез, включващ горен срез и долен срез и след това се завършва повалянето с повалящ срез. Чрез правилно разположение на трите среза може много точно да се контролира посоката на повалянето.

Направляващ срез

При изпълнение на направляващ срез се започва с горния срез. Застанете от дясната страна на дървото и режете теглеща шина.

След това се извършва долният срез, така че той да завършва в края на горния срез. (39)

Направляващият срез трябва да с диаметър, равен на около 1/4 от диаметъра на стъблото, а гъгълът между горния и долния срез трябва да е най-малко 45о.

Линията, по която се съединяват двата среза, се нарича линия на направляващия срез. Тази линия трябва да бъде строго хоризонтална и

да е под прав ъгъл (90о) спрямо избраната посока на повалянето. (40)

Повалящ срез

Повалящият срез се изпълнява от противоположната страна на дървото и трябва да бъде строго хоризонтален. Застанете от лявата страна на дървото и започнете да режете с теглеща шина.

Повалящия срез трябва да е приблизително 3-5 см (1,5-2 дюйма) над хоризонтала на направляващия срез.

Поставете амортизатора (ако такъв е монтиран) зад предпазната ивица. Работете при подадена пълна газ и бавно вкарвайте шината и веригата в дървото. Убедете се, че дървото не е започнало да пада в посока, противоположна на набелязаната от вас посока на поваляне. Веднага щом като срезът бъде достатъчно дълбок, в него трябва да се забие клин или лост. (41)

Повалящият срез трябва да завърши успоредно на линията на направляващия срез, като разстоянието помежду им трябва да бъде най-малко 1/10 от диаметъра на стъблото. Несръзаната част на дървото се нарича предпазна ивица.

Предпазната ивица е своеобразен шарнир, контролиращ посоката на поваляне на дърво. (42)

Целият контрол върху посоката на повалянето се губи, ако предпазната ивица е много тясна или направляващият и повалящият срез са разположени неправилно.

След завършване на повалящия срез и направляващия срез дървото трябва да започне да пада под въздействието на собствената си тежест или с помощта на клин или лост.

Препоръчваме ви да използвате шина, която е по-дълга от диаметъра на дървото, така че да можете да правите основния срез и насочващите срезове с "единични режещи движения". Вижте инструкциите в раздела със заглавието Технически данни относно кои дължини на шината се препоръчват за вашия модел моторен трион.

Съществуват начини на поваляне на дървета, чийто диаметър превишава дължината на шината. Но тези начини са свързани със значителна опасност зоната на обратния тласък на шината да влезе в контакт с дървото.

Освобождаване на неправилно паднало дърво

Сваляне на "захванало се дърво"

Трудно и опасно е да изтегли дървото от това положение; има голям риск от злополука.

Никога не се опитвайте да режете дърво, върху което има паднало друго дърво.

Никога не работете в зоната на риск при увиснало или притиснато дърво.

Най-безопасен начин е използването на лебедка.

- Монтирана на трактор
- Портативна

Рязане на напрегнати дървета и клони

Приготовления: Да се определи в каква посока ще се движи дървото или клонът след освобождаването и къде се намира естествената точка на пречупване (т.е. мястото, където ще се прекърши, ако бъде напрегнато още повече) .

Определете най-безопасния начин за освобождаване на напрежението и дали сте в състояние да направите това. В сложни ситуации единственият безопасен начин е да се откажете от използване на верижния трион и да използвате на лебедка.

Най-общо важи следното:

Застанете така, че да няма опасност да бъдете засегнат от дървото/клона, когато напрежението се освободи.

Направете един или няколко среза в точката на пречупването или близо до нея. Направете толкова срезове с необходимата дълбочина, колкото се нужни, за да се намали напрежението и дървото или клонът да се "пречупят" в точката на пречупване.

Никога не режете докрай дърво или клон, намиращи се в напрегнато състояние!

Когато трябва да режете през дърво/клон, направете два или три среза на разстояние 3 см един от друг и с дълбочина от 3-5 см.

Продължавайте да режете докато огъването и напрежението в дървото/клона изчезнат.

Срежете дървото/клона от противоположната страна след като напрежението изчезне.

Мерки за избягване на обратен тласък



ПРЕДУПРЕЖДЕНИЕ! Обратният тласък може да бъде внезапен и силен, като ударът от верижния трион, шината и веригата е насочен към оператора. Ако веригата е в движение, тя може да предизвика много сериозни и дори смъртоносни травми. Необходимо е да разберете причините за възникване на обратен тласък и да го избягвате, като проявявате предпазливост и прилагате правилен начин на работа.

Какво представлява обратният тласък?

Терминът обратен тласък се използва за описване на внезапната реакция, при която верижният трион и шината отскачат, когато горната част на върхът на шината, т.н. рисков сектор за тласък, влезе в допир с някакъв предмет. (43)

Обратният тласък е винаги в посока на шината. Обикновено верижният трион и шината се отхвърлят назад и нагоре, по посока на оператора. Но верижният трион може да отскочи и в други посоки в зависимост от положението си в момента, когато рисковият сектор на шината се допре до някакъв предмет.

Обратен тласък може да се получи единствено, когато рисковият сектор се допре до някакъв предмет. (44)

Кастрене на клоните



ПРЕДУПРЕЖДЕНИЕ! Повечето нещастни случаи при откат се получават при кастренето на клоните от дървото. Не използвайте зоната на откат на шината. Упражнявайте изключително внимание и не допускайте края на шината да влиза в контакт с дънера, други клони или предмети. Упражнявайте изключително внимание при боравенето с клони, които са в напрегнато състояние. Те могат да отскочат към вас и да ви принудят да изгубите контрол, което може да доведе до наранявания.

Убедете се, че можете безопасно да стоите на място и да се предвижвате. Работете от лявата страна на стъблото. Държете триона близо до себе си, за да можете максимално да го контролирате. По възможност пренесете тежестта на триона върху стъблото.

При движение покрай стъблото, то трябва да се намира между вас и верижния трион.

Разкрояване на стъблото

Виж указанията в раздел Основни начини на рязане.

Основни принципи

Потребителят трябва да изпълнява само работата по поддръжката и обслужването, описани в този Наръчник на оператора. По-крупните ремонти трябва да се изпълняват от оторизиран сервиз.

Регулиране на карбуратор

Вашият продукт на Jonsered е конструиран и произведен според спецификации, които осигуряват намаляване на вредните отпадъчни газове.

Работа

- Карбураторът управлява оборотите на двигателя с помощта на дроселната клапа. В карбуратора се извършва смесване на въздух и гориво. Съставът на сместа от въздух и гориво е регулируем. За да можете да използвате цялата мощност на машината, тя трябва да е правилно регулирана.
- Винтът Т регулира дроселната клапа при празен ход. Ако винтът Т се върти по часовниковата стрелка, това води до повишаване оборотите на празния ход, а въртенето в обратна посока води до намаляване оборотите при празен ход.

Базова регулировка и разработване

Базовата регулировка на карбуратора се осъществява при изпитанията в завода-производител. Фините настройки трябва да се изпълняват от опитен техник.

Препоръчани обороти на празния ход: Виж раздел Технически характеристики.

Окончателна регулировка на празния ход Т

Регулирайте оборотите на празния ход с винта Т. При необходимост от регулировка завинтвайте при пуснат двигател винта на празния ход Т (по посока на часовниковата стрелка), докато веригата се завърти. Развинтете след това (в обратна посока), докато веригата спре да се върти. Правилно регулирани оброти на празния ход се получават, когато двигателят работи плавно

във всяко положение със значителен резерв до оборотите, при които веригата се завърта.



ПРЕДУПРЕЖДЕНИЕ! Свържете се със сервиза си, ако оборотите на празния ход не могат да бъдат регулирани така, че веригата да спре. Не работете с верижен трион, докато той не бъде регулиран или ремонтиран.

Преглед, поддръжка и сервиз на защитното оборудване на верижния трион

ЗАБЕЛЕЖКА! Всички работни операции по поддръжката и ремонта на машината изискват специално обучение. Това се отнася особено до оборудването за безопасна работа с машината. Ако машината ви не отговаря на изискванията при проверките, описани по-долу, ние ви препоръчваме да я отнесете в обслужващия ви сервиз. Всякакъв вид поддръжка, извън описания в настоящото ръководство следва да се извършва от специализиран сервиз (дистрибутора).

Изключете двигателя и издърпайте запалителния кабел преди ремонт или техническа поддръжка.

Верижна спирачка и аварийен лост

Проверка на износването на спирачната лента
Почистете верижната спирачка и барабана на съединителя от стърготини, смола и замърсявания. Замърсеността и износването се отразяват върху работата на спирачката. (45)

Проверявайте редовно дебелината на спирачната лента да бъде не по-малко от 0,6 мм в най-износения си участък.

Проверка на аварийния лост

Проверете аварийния лост за видими повреди, като например пукнатини в материала.

Движете аврийния лост напред и назад, за да проверите дали той се движи свободно и е надеждно закрепен към капака на съединителя. (46)

Проверка на автоматичната спирачка

Поставете моторния трион с изключен двигател върху вкоренен дънер или друга стабилна повърхност. Освободете предната ръкохватка и оставете триона да се изхлузи под собствената си тежест, въртейки се около задната ръкохватка към вкоренения дънер.

Когато върха на шината падне върху пъна, спирачката трябва да се включи. (47)

Проверка на спирачното действие

Поставете верижния трион върху стабилна основа и го включете. Убедете се, че веригата не влиза в допир с почвата или с друг предмет. Виж инструкциите в раздел Стартване и изключване.

Вземете триона в ръце, като обхванете дръжките с пръсти.

Подайте пълна газ и включете верижната спирачка, като завъртате лявата китката към аварийния лост. Не отпускайте предната ръкохватка. Веригата трябва да спре незабавно.

Фиксатор на дроселната клапа

- Уверете се, че регулаторът на дроселната клапа е в положение на празен ход, когато фиксаторът на дроселната клапа се намира в изходното си положение.
- Натиснете фиксатора на дроселната клапа и се убедете, че след като го отпуснете той се връща в изходното си положение.
- Убедете се, че пусковият механизъм и фиксаторът на дроселната клапа се движат свободно и възвратните пружини са в изправност.
- Включете верижния трион и подайте пълна газ. Отпуснете регулатора на дроселната клапа и се убедете, че веригата спира и остава неподвижна. Ако, след като поставите регулатора в положение на празен ход, веригата продължи да се върти, трябва да се провери регулировката на празния ход на карбуратора.

Уловител на веригата

Убедете се, че уловителят на веригата не е повреден и е надеждно закрепен към корпуса на верижния трион.

Предпазител за дясната ръка

Убедете се, че предпазителят за дясната ръка не е повреден и е без видими дефекти, като например пукнатини.

Антивибрационна система

Редовно проверявайте за пукнатини или деформации в антивибрационните елементи.

Убедете се, че антивибрационните елементи са закрепени надеждно между двигателя и ръкохватката.

Ключ стоп

Включете двигателя и се убедете, че той се изключва, когато ключът е поставен в положение стоп.

Ауспух

Никога не използвайте машина с повреден ауспух. Проверявайте редовно надеждността на закрепването на ауспухът към машината.

ЗАБЕЛЕЖКА! Екранът на искрогасителната мрежа (А) на тази машина е в работно състояние. (48) В случай на повреда мрежата трябва да бъде сменена. Ако мрежата е замърсена, машината може да прегрява и това да предизвика повреда на цилиндъра и буталото. Никога не работете с машина със замърсен или повреден ауспух. Не използвайте ауспуха без искрогасителната мрежа или повредена такава.

При нормална домашна работа заглушителят на ауспуха и екранът на искрогасителната мрежа не се нуждаят от подмяна.

Въздушен филтър

Въздушният филтър трябва да се почиства редовно от прах и замърсявания за да се избегнат:

- Нарушения в работата на карбуратора
- Проблеми при стартиране
- Намаляване на мощността
- Ненужно износване на частите на двигателя
- Твърде голям разход на гориво.
- Свалете въздушния филтър (3) след като отстраните капака на цилиндъра, винта (1) и капака на филтъра (2). При повторното монтиране се уверете, че въздушният филтър приляга плътно към държача на филтъра. Почистете филтъра, като го изчеткате или раздрусате. (49)

По-грижливо почистване на филтъра се постига чрез промиването му с вода и сапун.

Въздушен филтър, използван дълго време, не може да се почисти напълно. Ето защо на определени интервали от време той трябва да се подменя с нов. Повреден въздушен филтър трябва да бъде непременно сменен.

Запалителна свещ

Състоянието на запалителната свещ се влияе от:

- Неправилна регулировка на карбуратора.
- Неправилен примес на масло в горивото (твърде много масло или некачествено масло).
- Замърсен въздушен филтър.

Тези фактори водят до наслагвания върху електродите на запалителната свещ и могат да предизвикат смущения в работата и затруднения при стартирането.

Ако двигателят работи с ниска мощност, машината се стартира трудно и работи лошо на празен ход: трябва преди всичко да проверите запалителната свещ. Ако запалителната свещ е замърсена, тя трябва да се почисти и да се провери хлабината между електродите да е 0,5 мм. Запалителната свещ трябва да се подменя след около един месец или дори по-често, ако това се налага (50).

ЗАБЕЛЕЖКА! Използвайте винаги запалителните свещи от препоръчания вид! Използването на погрешен тип свещи може да предизвика сериозни повреди на буталото/цилиндъра. Убедете се, че запалителната свещ е снабдена със защита от радиосмущения.

Техническо обслужване

Следва списък с операциите по поддръжката, които трябва да се изпълняват по машината. Повечето от позициите са описани в раздела Поддръжка.

Всекидневно обслужване (на всеки 5-10 часа)	Седмично обслужване (на всеки 10-25 часа)	Месечно обслужване (на всеки 25-40 часа)
Почистете машината от външната ѝ страна.	Проверете стартера, шнура на стартера и възвратната пружина.	Проверете спирачната лента на спирачката на веригата за износване. Подменете в случай, че в най-износената точка остават по-малко от 0,6 мм.
Проверете изправността на частите на регулатора на дроселната клапа. (Регулатора на дроселната клапа и дроселната клапа.)	Проверете дали вибрационните изолаторите са в изправност.	Проверете съединителния център, барабана на съединителя и пружината на съединителя за износване.
Почистете верижната спирачка и проверете работата ѝ от гледна точка на безопасността. Убедете се, че ограничителят на веригата не е повреден или подменете при необходимост.	Изпилете острини по страничните повърхнини на шината.	Почистете запалителната свещ и проверете дали хлабината е 0,5 мм.
Шината трябва, за равномерно износване, да се обръща всеки ден. Проверете смазочното отворстие в шината да не е задръстено. Почистете жлеба на шината. Ако шината има челно ходово колело, то трябва да бъде смазано.	Почистете корпуса на карбуратора отвътре.	Почистете външната повърхност на карбуратора.
Проверете дали шината и веригата се смазват както трябва.	Почистете въздушния филтър. Подменете го в случай на необходимост.	Проверете горивния филтър и маркучи. Подменете го при необходимост.
Проверете трионовата верига за наличие на видими пукнатини в нитовете и звената, дали е втвърдена или дали нитовете и звената са прекалено износени. Подменете при нужда.		Изпразнете резервоара за гориво и почистете вътрешността му.
Наточете веригата и проверете опъна и състоянието ѝ. Проверете степената на износване на задвижващото колело и го подменете, ако това се налага.		Изпразнете резервоара за масло и почистете вътрешността му.
Почиствайте входния отвор на въздухопровода за стартера.		Проверете всички кабели и съединения.
Проверете дали всички гайки и винтове са затегнети.		
Проверете функционирането на ключа стоп.		
Убедете се, че няма горивен теч от двигателя, резервоара или маркучите за горивото.		

Технически характеристики

	CS 2234	CS 2238
Двигател		
Обем на цилиндъра, см ³	38	38
Ход бутала, мм	32	32
Обороти на празен ход, об/мин	3000	3000
Мощност, кВт	1,4/9000	1,5/9000
Запалителна система		
Запалителна свещ	Champion RCJ 7Y	Champion RCJ 7Y
Хлабина между електродите, мм	0,5	0,5
Система на захранване/смазване		
Вместимост на горивния резервоар, литри	0,3	0,3
Производителност на маслената помпа при 8500 об/мин, мл/мин	7	7
Вместимост на масления резервоар, литри	0,19	0,19
Тип на маслената помпа	Автоматично	Автоматично
Тегло		
Вериген трион без шината и веригата и при празни резервоари, кг	4,7	4,7
Шумови емисии (вж. забележка 1)		
Равнище на звуковия ефект, измерено в dB (A)	115	115
Равнище на звуковия ефект, гарантирано L _{WA} dB (A)	118	118
Равнище на шума (вж. забележка 2)		
Еквивалентно ниво на шума при ухото на работещия, dB(A)	100,6	100,6
Еквивалентни нива на вибрация, a _{hveq} (вж. заб. 3)		
Предна ръкохватка, м/с ²	3,7	3,7
Задна ръкохватка, м/с ²	5,1	5,1
Верига/шина		
Стандартна дължина на шината, дюйма/см	14/35, 16/40	14/35, 16/40
Препоръчвана дължина на шината, дюйма/см	14/35, 16/40	14/35, 16/40
Полезна дължина на рязането, дюйма/см	13,5/34, 15,5/39	13,5/34, 15,5/39
Стъпка, дюйма/мм	3/8 / 9,52	3/8 / 9,52
Дебелина на задвижващото звено, дюйма/мм	0,050/1,3	0,050/1,3
Тип на задвижващото верижно зъбно колело/брой на зъбите	6	6
Скорост на веригата при максимална мощност, м/сек	17,1	17,1

Забележка 1: Шумова емисия в околната среда, измерена като звуков ефект (L_{WA}) съгласно ЕО директива 2000/14/ЕО.


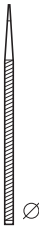
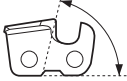
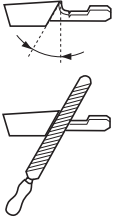

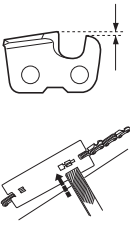
Забележка 2: Еквивалентното ниво на звуковото налягане, според ISO 22868, се определя като претеглена по време енергия за различни нива на звуковото налягане при различни условия на работа. Типичната статистическа дисперсия за еквивалентно ниво на звуковото налягане е стандартно отклонение от 1 dB (A).

Забележка 3: Еквивалентното равнище на вибрацията според стандарта ISO 22867 се определя като претеглена по време енергия на цялото равнище на вибрацията за различни условия на работа. Отчетените данни за еквивалентното равнище на вибрацията имат типична статистическа дисперсия (стандартно отклонение) от 1 m/s².

Комбинации за шината и веригата

Следните оборудвания за рязане са одобрени за моделите Jonsered CS2234 и CS2238.

Шина				Верига	
Дължина, дюйма	Стъпка, дюйма	дълбочината на канала, мм	Макс. брой на зъбите на верижното зъбно колело на върха на шината	Тип	Дължина, задвижващи звена (брой)
14	3/8	1,3	7Т	Jonsered H37	52
16	3/8		7Т		56
18	3/8		7Т		62

					
H37	5/32/4,0	80°	30°	0°	0.025/0,65

ЕО-уверение за съответствие

(Валидно само в рамките на Европа)

Фирма Husqvarna AB, с адрес SE-561 82 Huskvarna, Швеция, тел. +46-36-146500, удостоверява с настоящето, че верижните триони Jonsered CS 2234 и CS 2238 със серийни номера от 2009 год. и последващи години (върху типовата табелка е посочена ясно годината, следвана от серийния номер), отговарят на наредбите в ДИРЕСТИВАТА НА СЪВЕТА:

- то 17 май 2006 г., гсвързани с машини" 2006/42/ЕС
- от 15 декември 2004 "относно електромагнитна съвместимост" 2004/108/ЕЕС.
- от 8 май 2000 год. "относно шумови емисии в околната среда" 2000/14/ЕО.

За информация относно шумовите емисии виж раздел Технически характеристики. Използвани са следните стандарти: EN ISO 12100-2:2003, CISPR 12:2001, EN ISO 11681-1:2004

Посочено ведомство: 0404, SMP Svensk Maskinprovning AB, с адрес Fyrisborgsgatan 3, SE-754 50 Uppsala, Швеция, е извършила ЕО-типов контрол съгласно член 12, т. 3б от директивата за машини (2006/42/ЕО). Удостоверенията за извършен типов контрол, отговарящ на нормите на ЕО, съгласно Приложение IX са издадени под номера: 0404/09/2048.

Освен това SMP Svensk Maskinprovning AB, с адрес Fyrisborgsgatan 3, SE-754 50 Uppsala, Швеция, удостоверява съответствието с приложение V към директивата на съвета от 8 май 2000 год. "относно шумови емисии в околната среда" 2000/14/ЕО. Сертификатите са издадени под номер: **26/161/003 - CS 2234, 26/161/004 - CS 2238.**

Доставеният верижен трион съответствува на машината, преминала през типов контрол, отговарящ на нормите на ЕО.

Град Huskvarna, 29 декември, 2009 год.



Ronnie E. Goldman, Директор инженеринг. (Оторизиран представител на Husqvarna AB и отговорник за техническата документация).

Уважаемый покупатель!

Мы поздравляем вас с выбором продукта Jonsered!

Мы убеждены в том, что Вы по достоинству оцените качество нашего изделия и мощность и останетесь довольным им на протяжении длительного времени. Приобретение какого-либо из наших изделий, дает Вам доступ к профессиональной помощи по его ремонту и обслуживанию, если в этом все-таки возникнет необходимость. Если машина была приобретена не в одном из наших специализированных магазинов, узнайте в ближайшей сервисной мастерской.

Надеемся, что Вы останетесь довольны Вашей машиной, и что она будет Вашим спутником на долгое время. Помните о том, что настоящее руководство является ценным документом. Выполняя требования инструкции (пользование, сервис, обслуживание и т.д.) Вы значительно продлите срок службы машины и поднимите ее вторичную стоимость. Когда Вы будете продавать Вашу машину, не забудьте передать инструкцию новому владельцу.

Желаем успеха в пользовании Вашим продуктом Jonsered!

Фирма Jonsered постоянно работает над совершенствованием и развитием своих продуктов и поэтому оставляет за собой право на внесение изменений в форму и дизайн без предварительного предупреждения.

Условные обозначения на машине:

ПРЕДУПРЕЖДЕНИЕ! Моторные пилы могут быть опасны! Небрежное или неправильное обращение может привести к серьезным травмам или к смерти оператора или других людей.

Прежде чем приступить к работе с машиной внимательно прочитайте инструкцию и убедитесь, что Вам все понятно.

Всегда используйте:

- Специальный защитный шлем
- Специальные шумозащитные наушники
- Защитные очки или сетчатую маску

Эта продукция отвечает требованиям соответствующих нормативов ЕС.

Шумозащитные эмиссии в окружающую среду согласно Директивы Европейского Сообщества. Эмиссия машины приведена в главе Технические данные и на табличке.

При работах моторную пилу необходимо держать обеими руками.

Никогда не пользуйтесь моторной пилой, держа ее только одной рукой.

Не допускайте, чтобы острые шины пилы приходило в контакт с каким-либо предметом.

ПРЕДУПРЕЖДЕНИЕ! Отдача может возникнуть когда носок пильной шины входит в контакт с каким-либо предметом и вызывает реакцию отдачи, которая отбрасывает шину пилы вверх и назад на оператора. Это может привести к серьезным травмам людей.

Тормоз цепи активирован (слева)
Тормоз цепи не активирован (справа)



Другие символы/наклейки на машине относятся к специальным требованиям сертификации на определенных рынках.

Что есть что на моторной пиле? (1)

- 1 Информационная и предупреждающая наклейка
- 2 Крышка цилиндра
- 3 Топливный насос
- 4 Ручка стартера
- 5 Рычаг воздушной заслонки/Фиксатор ручки газа при запуске
- 6 Выключатель зажигания (Запуск и остановка двигателя.)
- 7 Задняя ручка
- 8 Топливный бак
- 9 Винты регулировки карбюратора
- 10 Стартер
- 11 Бак под масло для смазки цепи
- 12 Табличка с обозначением изделия и серийного номера
- 13 Фиксатор ручки газа (Предотвращает непроизвольное воздействие на ручку газа.)
- 14 Передняя ручка
- 15 Рукоятка охраны против отдачи
- 16 Глушитель
- 17 Полотно пильной шины
- 18 Направляющая звездочка
- 19 Пильная цепь
- 20 Зубчатый упор
- 21 Уловитель цепи
- 22 Винт механизма натяжения цепи
- 23 Крышка сцепления
- 24 Задняя ручка с защитой правой руки
- 25 Курок газа
- 26 Руководство по эксплуатации
- 27 Универсальный ключ
- 28 Защитный чехол пильного полотна

Содержание

ВВЕДЕНИЕ	
Уважаемый покупатель!	381
Условные обозначения на машине:	381
Что есть что на моторной пиле?	382
СОДЕРЖАНИЕ	
Содержание	382
ОБЩИЕ ПРЕДПИСАНИЯ ПО БЕЗОПАСНОСТИ	
Действия, которые необходимо предпринять перед использованием новой моторной пилы	
383	
Важная информация	384
Всегда руководствуйтесь здравым смыслом	
384	
Средства защиты оператора	384
Устройства безопасности машины	385
Пильный аппарат	387
СБОРКА	
Порядок монтажа пильного полотна и цепи	
391	
ПРАВИЛА ОБРАЩЕНИЯ С ТОПЛИВОМ	
Подготовка топливной смеси	391
Заправка	392
Правила безопасности при заправке	392
ЗАПУСК И ОСТАНОВКА	
Запуск и остановка	393
МЕТОД РАБОТЫ	
Перед каждым использованием:	
394	
Общие рабочие инструкции	394
Как избежать отдачи	398
ТЕХНИЧЕСКОЕ ОБСЛУЖИВАНИЕ	
Общие сведения	399
Регулировка карбюратора	399
Осмотр, уход и обслуживание защитных приспособлений моторной пилы	
399	
Глушитель	400
Воздушный фильтр	400
Свеча зажигания	400
График технического обслуживания	401
ТЕХНИЧЕСКИЕ ХАРАКТЕРИСТИКИ	
Технические характеристики	402
Совместимость моделей пильного полотна и цепи	
403	
Гарантия ЕС о соответствии	403

Действия, которые необходимо предпринять перед использованием новой моторной пилы

- Внимательно прочитайте инструкцию.
- (1) - (51) указывает на иллюстрацию на стр. 2-5.
- Проверьте установку пыльного аппарата и регулировку. См. указания в разделе Сборка.
- Заправьте и запустите моторную пилу. См. указания в разделах Обращение с топливом и Запуск и остановка.
- Не пользоваться моторной пилой пока на цепь не попадет достаточное количество масла. См. указания в разделе Смазка режущего оборудования.
- Продолжительное воздействие шума дает неизлечимое ухудшение слуха. Всегда пользуйтесь, поэтому, специальными наушниками.



ПРЕДУПРЕЖДЕНИЕ!
Продолжительное вдыхание выхлопных газов двигателя и испарений цепного масла и древесной пыли опасно для здоровья.



ПРЕДУПРЕЖДЕНИЕ! Машина во время работы создает электромагнитное поле. В определенных обстоятельствах это поле может создавать помехи для пассивных и активных медицинских имплантантов. Чтобы избежать риска серьезного повреждения или смерти, лицам с медицинскими имплантантами рекомендуется проконсультироваться с врачом и изготовителем имплантанта, прежде чем приступать к работе с этой машиной.



ПРЕДУПРЕЖДЕНИЕ! Ни при каких обстоятельствах не допускается внесение изменений в первоначальную конструкцию машины без разрешения изготовителя. Пользуйтесь только оригинальными запчастями. Внесение неразрешенных изменений и/или использование неразрешенных приспособлений может привести к серьезной травме или даже к смертельному исходу для оператора или других лиц.



ПРЕДУПРЕЖДЕНИЕ! При неправильном или небрежном использовании моторной пилы, она может быть опасным инструментом, который может привести к серьезным, и даже к опасным для жизни травмам. Поэтому необходимо внимательно прочитать и полностью понять данную инструкцию.



ПРЕДУПРЕЖДЕНИЕ! В глушителе есть химикаты, которые могут вызывать раковые заболевания. Избегайте контакта с этими элементами в случае повреждения глушителя.

Важная информация

ВАЖНО!

Машина предназначена только для пиления дерева.

Пользуйтесь только теми сочетаниями пильной шины/цепи, которые мы рекомендуем в главе Технические данные.

Никогда не работайте с машиной если Вы устали, выпили алкоголь, или принимаете лекарства, которые могут оказывать влияние на зрение, реакцию или координацию.

Пользуйтесь оборудованием для защиты людей. См. раздел Защитное оборудование.

Никогда не модифицируйте машину настолько, чтобы её конструкция больше не соответствовала оригинальному исполнению, и не пользуйтесь ей, если Вы подозреваете, что она была модифицирована другими.

Никогда не используйте дефектную машину. Проводите регулярные осмотры, уход и обслуживание в соответствии с данным руководством. Некоторые операции по уходу и обслуживанию выполняются только подготовленными специалистами. См. раздел Уход.

Никогда не применяйте дополнительное оборудование отличное от рекомендованного в данном руководстве. См. Раздел Режущее оборудование и Технические характеристики.

Обратите внимание! Пользуйтесь всегда защитными очками или маской, чтобы уменьшить риск травмы отбрасываемыми предметами. Моторная пила может отбрасывать такие предметы, как опилки, маленькие частицы дерева и т.д. с большим усилием. Это может привести к серьезным травмам, особенно глаз.



ПРЕДУПРЕЖДЕНИЕ! Работа двигателя в закрытом или в плохо проветриваемом помещении может привести к смертельному исходу от удушья или заражения угарным газом.



ПРЕДУПРЕЖДЕНИЕ! Неправильное режущее оборудование или неправильное сочетание пильной шины/цепи увеличивает риск отдачи! Пользуйтесь только сочетанием пильной шины/цепи, которое мы рекомендуем, и выполняйте указания инструкции. См. указания под заголовком Технические данные.

Всегда руководствуйтесь здравым смыслом (2)

Невозможно предвидеть все возможные ситуации, в которых Вы можете оказаться, пользуясь моторной пилой. Будьте всегда осторожны и руководствуйтесь здравым смыслом. Избегайте ситуаций, для которых по Вашему мнению, уровень Вашей квалификации недостаточен. Если Вы, прочитав это руководство, всё еще чувствуете себя неуверенными в отношении метода работы, обратитесь за советом к специалисту, прежде, чем Вы будете продолжать работу. Обращайтесь всегда к Вашему дилеру или к нам, если у Вас есть вопросы по обращению с моторной пилой. Мы всегда будем рады помочь и дать Вам совет по тому, как Вы можете пользоваться Вашей моторной пилой лучше и безопаснее. Мы советуем Вам пройти подготовительный курс по пользованию моторной пилой. Ваш дилер, школа по уходу за лесом или библиотека могут предложить Вам материал и то какие есть для этого курсы. Постоянно проводится работа по улучшению конструкции и технологии - улучшения, которые увеличивают безопасность и эффективность. Посещайте Вашего дилера регулярно, чтобы Вы были в курсе дела, какую пользу Вы можете извлечь из новых функций, вводимых в производство.

Средства защиты оператора



ПРЕДУПРЕЖДЕНИЕ! Большинство несчастных случаев с цепной пилой происходит при соприкосновении человека с движущейся цепью. Во время работы с машиной вы должны использовать специальные одобренные средства защиты. Индивидуальные средства защиты не могут полностью исключить риск получения травмы, но при несчастном случае они снижают тяжесть травмы. Обращайтесь за помощью к дилеру при выборе оборудования.

- Специальный защитный шлем
- Защитные наушники
- Защитные очки или сетчатую маску
- Специальные перчатки с защитой от пореза
- Брюки с защитой от пореза пилой
- Сапоги с предохранением от пореза цепью с металлической вставкой и нескользящей подошвой.
- Всегда имейте при себе аптечку для оказания первой медицинской помощи.
- Огнетушитель с лопатой

В общем случае одежда должна быть плотно подогнана и в то же время не стеснять свободы движения.

ВАЖНО! Искры могут исходить от глушителя, пыльной шины и цепи, или от другого источника. Имейте всегда инструмент для пожаротушения на случай, если он может Вам понадобиться. Тем самым Вы будете содействовать предотвращению лесных пожаров.

Устройства безопасности машины

В этом разделе поясняется, что относится к устройствам безопасности машины и их функции. Указания по проверке и обслуживанию приведены в разделе Проверка, обслуживание и сервис устройств безопасности моторной пилы. См. указания в разделе Что есть что?, где Вы найдете расположение этих устройств на машине.

Срок службы машины может быть укорочен и риск аварии увеличен, если обслуживание машины не выполняется правильным образом и если сервис и/или ремонт не были выполнены профессионально. Если вам требуется дополнительная информация, обратитесь в ближайшую мастерскую по обслуживанию.



ПРЕДУПРЕЖДЕНИЕ! Никогда не пользуйтесь машиной с поврежденным устройством безопасности. Устройство безопасности следует проверять и обслуживать. См. указания в разделе Проверка, обслуживание и сервис устройств безопасности моторной пилы. Если Ваша машина не в состоянии выдержать все проверки, обращайтесь в мастерскую для ремонта.

Тормоз цепи и рукоятка охраны против отдачи

Ваша моторная пила оснащена тормозом цепи, сконструированным для остановки цепи пилы при отдаче. Тормоз цепи снижает риск несчастных случаев, но предотвратить их можете только Вы, как пользователь.

Будьте внимательны при работе и следите, чтобы зона отдачи пыльного полотна не касалась никаких объектов.

- Тормоз цепи (А) включается вручную (левой ручкой) или под воздействием инерции. (3)
- Тормоз срабатывает, когда рукоятка охраны против отдачи (В) сдвигается вперед. (3)
- Данное движение приводит в действие пружинный механизм, который занимает ленту тормоза (С) вокруг привода цепи (Д) барабана муфты сцепления). (4)
- Рукоятка охраны против отдачи предназначена не только для приведения в действие тормоза цепи. Другое ее важное

свойство заключается в том, что она не допускает попадания левой руки на цепь при соскальзывании с передней ручки.

- Тормоз цепи должен быть включен при запуске моторной пилы, чтобы не допустить вращения цепи.
- Пользуйтесь тормозом цепи как "стояночным тормозом" при запуске и при малых переходах с одного места на другое, чтобы избежать несчастных случаев, когда пользователь или какой-либо предмет в окружении может оказаться с движущейся цепью пилы.
- Для разблокировки тормоза сдвиньте охрану против отдачи назад, по направлению к передней ручке.
- Толчок при отдаче может быть молниеносным и очень сильным. В большинстве случаев отдача маленькая и тормоз цепи срабатывает не всегда. Если это происходит, вы должны крепко держать моторную пилу и не дать ей вырваться из рук.
- Способ срабатывания тормоза пыльной цепи, вручную или автоматически, зависит от силы отдачи и положения моторной пилы по отношению к объекту, которого коснулось пыльное полотно своей зоной отдачи.

При сильной отдаче, и когда сектор отдачи шины пилы находится на максимальном отдаленном расстоянии от пользователя, то тормоз цепи пилы может включаться противовесом цепи пилы (инерция) в направлении отдачи.

Если удар отдачи не очень сильный и/или зона отдачи полотна недалеко от вас, тормоз цепи срабатывает вручную движением левой руки.

- При падении, левая рука находится в положении, когда она не в состоянии включить тормоз цепи. Этот тип захвата, т.е. когда левая рука находится в положении, когда она не в состоянии оказывать влияние на движение щита отдачи, тормоз цепи может быть включен только под воздействием инерции.

Включает ли моя рука тормоз цепи всегда при отдаче?

Нет. для перемещения щита отдачи вперед, необходимо определенное усилие. Если Ваша рука будет лишь слегка касаться щита отдачи или соскользнет на него, то усилие может быть недостаточно сильным для включения тормоза пилы. Вы должны держать моторную пилу устойчивым захватом во время работы. Если Вы будете это делать и произойдет отдача, Вы скорее всего никогда не отпустите руку с передней ручки и не включите тормоз пилы, или, тормоз пилы будет включен лишь когда пила успеет повернуться на достаточное расстояние. В такой ситуации тормоз цепи возможно не успеет остановить цепь до того, когда она прикоснется к Вам.

Встречаются также рабочие положения, в которых Ваша рука будет не в состоянии достать до шита отдачи, чтобы включить тормоз цепи; например, когда пила удерживается в положении валки.

Происходит ли включение тормоза цепи инерцией всегда при отдаче?

Нет. Во-первых Ваш тормоз должен функционировать. Проверить тормоз довольно легко, см. указания в разделе Проверка, обслуживание и сервис оборудования безопасности моторной пилы. Мы рекомендуем делать это перед каждой новой рабочей сменой. Во-вторых, отдача должна быть достаточно сильной для включения стояночного тормоза. Если тормоз цепи был чрезмерно чувствительным, то он включался бы всегда, что не давало бы возможности работать.

В состоянии ли тормоз цепи всегда защитит меня от травмы при отдаче?

Нет. Во-первых, тормоз должен функционировать, чтобы он был в состоянии предоставить необходимую защиту. Во-вторых, он должен включаться так, как это описано выше, чтобы он смог остановить цепь пилы при отдаче. В-третьих, тормоз цепи может быть и включен, но если шина пилы находится очень близко к Вам, то тормоз возможно не успеет затормозить и остановить цепь до того, как она к Вам прикоснется.

Только Вы сами и правильный метод работы может исключить отдачу и эти риски.

Рычаг блокировки курка газа

Блокиратор ручки газа сконструирован для предупреждения непроизвольного воздействия на ручку газа. При нажатии на блокиратор (А) в ручке (= когда Вы держите ручку) ручка газа (В) освобождается. Когда будет отпущен захват, то ручка газа и блокиратор возвращаются в свои исходные положения. Это положение означает, что ручка газа автоматически замыкается на холостых оборотах. (5)

Уловитель цепи

Уловитель цепи предназначен для улавливания цепи при ее обрыве или соскакивании. Чтобы этого не произошло, в большинстве случаев, достаточно правильно отрегулировать натяжение цепи (см. указания в разделе Монтаж), а также правильно производить уход и техобслуживание шины пилы и цепи (см. указания в подразделе Общие рабочие инструкции).

Защита для правой руки

Кроме защиты вашей правой руки при соскальзывании или обрыве цепи, защитное приспособление предохраняет руку, сжимающую заднюю ручку, от случайного попадания веток и сучьев.

Система гашения вибрации

Ваша машина оснащена системой гашения вибрации на рукоятках, сконструированной для максимального удобного пользования без вибрирования машины.

Система виброгашения машины снижает уровень вибрации передаваемый от двигателя или режущего оборудования на рукоятки. Корпус двигателя, включая режущее оборудование, соединен с рукоятками через виброгасящие элементы.

Пиление твердых пород дерева большинство широколиственных деревьев вызывает более сильную вибрацию чем пиление мягких пород большинство хвойных деревьев. Работа с затупившейся или неисправной цепью неправильная или плохая заточка приводит к повышению уровня вибрации.



ПРЕДУПРЕЖДЕНИЕ! Длительное воздействие вибрации оказывает вредное влияние на кровеносные сосуды и может вызвать расстройства нервной системы у людей с нарушенным кровообращением. В случае появления симптомов вредного влияния вибрации на организм, следует обратиться к врачу. Примером таких симптомов могут быть отсутствие чувствительности, "зуд", "покальвание", боль, потеря или уменьшение обычной силы, изменение цвета и поверхности кожи. Обычно подобные симптомы проявляются на пальцах, руках или запястьях. Эти симптомы увеличиваются при холодной температуре.

Контакт остановки

Данный выключатель используется для полной остановки двигателя.

Глушитель

Глушитель предназначен для снижения уровня шума и отвода в сторону от работающего человека выхлопных газов.



ПРЕДУПРЕЖДЕНИЕ! Выхлопные газы двигателя горячи и могут содержать искры, который могут стать причиной пожара. Поэтому машину никогда не следует запускать внутри помещения или рядом с легковоспламеняемым материалом.

В местах с теплым и сухим климатом, есть большой риск возникновения пожаров. Иногда местные предписания в таких регионах требуют, чтобы глушитель был оснащен

ОБЩИЕ ПРЕДПИСАНИЯ ПО БЕЗОПАСНОСТИ

соответствующей требованиям сеткой искроулавливателя (А). (6)

Обратите внимание! Глушитель при пользовании и сразу после остановки двигателя очень горячий. Это справедливо также при работе на холостых оборотах. Помните о риске пожара, в особенности при работе рядом с легко воспламеняемыми веществами и/или газами.



ПРЕДУПРЕЖДЕНИЕ! Никогда не пользуйтесь моторной пилой без или с поврежденным глушителем. Поврежденный глушитель значительно увеличивает шум и риск пожара. Имейте всегда под рукой инструмент для тушения пожара. Никогда не пользуйтесь моторной пилой без или с поврежденной искроулавливающей сеткой, если она обязательна там, где Вы работаете.

Пильный аппарат

В настоящем разделе описано то, как Вы, благодаря правильному обслуживанию и использованию правильного режущего оборудования:

- Снизить риск отдачи машины.
- Избежать случаев выхода и обрыва цепи.
- Поддерживать цепь всегда правильно заточенной.
- Продлить срок службы пилы и пильного аппарата.
- Не допускать увеличения уровня вибрации.

Общие правила

- Пользуйтесь только рекомендуемым нами режущим оборудованием! См. указания под заголовком Технические данные.
- Следите за тем, чтобы зубья пильной цепи были правильно заточены! Соблюдайте наши инструкции и используйте рекомендованный нами шаблон. Поврежденная или плохо заточенная цепь повышает риск несчастного случая.
- Выдерживайте правильное снижение ограничителя! Выполняйте наши инструкции и пользуйтесь рекомендуемыми нами шаблонами для установки снижения ограничителя. Очень большое снижение ограничителя увеличивает риск отдачи.
- Цепь пилы должна быть хорошо натянутой! Недостаточное натяжение цепи увеличивает риск выхода цепи и износ пильного полотна, цепи пилы и ведущей звездочки.
- Следите за тем чтобы пильный аппарат хорошо смазывался и поддерживался в

соответствующем рабочем состоянии. При плохой смазке цепь может легко оборваться и быстрее изнашивается, а также ускоряется износ полотна и звездочек.

Режущее оборудование с пониженной отдачей



ПРЕДУПРЕЖДЕНИЕ! Неправильное режущее оборудование или неправильное сочетание пильной шины/цепи увеличивает риск отдачи! Пользуйтесь только сочетанием пильной шины/цепи, которое мы рекомендуем, и выполняйте указания инструкции. См. указания под заголовком Технические данные.

Единственная возможность избежать отдачи, это постоянный контроль за тем чтобы зона отдачи пильного полотна ни с чем не соприкасалась.

Вы можете снизить риск отдачи, используя пильный аппарат, имеющий конструктивные элементы, понижающие вероятность отдачи, правильно затачивая цепь и выполняя надлежащий уход.

Пильное полотно

Чем меньше радиус носовой звездочки, тем меньше будет вероятность отдачи.

Пильная цепь

Цепь пилы собрана из набора звеньев, которые могут быть выполнены в стандартном и в снижающем вероятность отдачи варианте.

ВАЖНО! Никакие пильные цепи не исключают полностью риск отдачи.



ПРЕДУПРЕЖДЕНИЕ! Любой контакт с вращающейся цепью может привести к очень серьезным травмам.

Некоторые термины и понятия используемые при описании пильного полотна и пильной цепи для сохранения функций всех деталей системы защиты на режущем оборудовании, Вам следует производить замену изношенных и поврежденных шин пилы/сочетаний цепи на шину и цепь, рекомендуемые фирмой Jonsered. См. указания в разделе Технические данные для получения информации о рекомендуемых нами шинах пилы/сочетаниях цепи пилы.

Пильное полотно

- Длина (дюйм/см)
- Количество зубьев на носовой звездочке (Т).
- Шаг пильной цепи (дюймы). Конечная звездочка и ведущая звездочки цепи должны соответствовать расстоянию между звеньями цепи.

ОБЩИЕ ПРЕДПИСАНИЯ ПО БЕЗОПАСНОСТИ

- Кол-во приводных звеньев (шт.) Число приводных звеньев определяется длиной пильного полотна, шагом цепи и количеством зубьев на носовой звездочке полотна.
- Ширина паза пильного полотна (дюйм/мм). Паз полотна должен совпадать с шириной приводных звеньев цепи.
- Отверстие для смазки цепи и отверстие для шейки натяжителя цепи. Пильное полотно должно соответствовать конструкции моторной пилы.

Пильная цепь

- Шаг пильной цепи (дюймы)
- Ширина ведущего звена (мм/дюймов)
- Количество ведущих звеньев (шт.)

Заточивание и снижение ограничителя пильной цепи.



ПРЕДУПРЕЖДЕНИЕ! При работе с цепью, всегда одевайте защитные перчатки, чтобы предохранить руки от травм.

Общие сведения относительно заточивания режущего зуба

- Никогда не пилите затупившейся пильной цепью. Признаком того, что цепь затупилась, является необходимость давить на нее при пилении и очень мелкие опилки. При сильно затупившейся цепи вообще не будет опилок. Будет оставаться только древесная пыль.
- Хорошо заточенная пильная цепь сама врезается в дерево и дает длинные и большие опилки.
- Пилящей частью цепи является режущий звено, которое состоит из режущего зуба (А) и ограничителя глубины врезания (В). Разница между ними по высоте определяет толщину срезаемой стружки. (7)

При заточивании режущего зуба, следует учитывать четыре параметра.

- 1 Угол заточки верхней режущей кромки.
- 2 Угол резания
- 3 Угол наклона напильника
- 4 Диаметр круглого напильника

Без вспомогательного инструмента заточить пильную цепь очень сложно. Мы, поэтому, рекомендуем пользоваться шаблоном для заточки. Он гарантирует то, что пильная цепь заточена оптимально для максимальной производительности пиления и минимального риска отдачи.

См. указания в разделе Технические данные, относительно параметров заточки Вашей пильной цепи.



ПРЕДУПРЕЖДЕНИЕ! Несоблюдение указаний инструкции значительно увеличивает риск отдачи пилы.

Заточка режущего зуба

Для заточки режущего зуба, необходимо иметь круглый напильник и шаблон для заточки. См. указания относительно диаметра круглого напильника и рекомендуемого шаблона для Вашей пильной цепи в разделе Технические данные.

- Проверьте, чтобы цепь пилы была натянута. Слабое натяжение затрудняет правильную заточку.
- Всегда производите заточку с внутренней стороны режущего зуба наружу. Облегчите немного давление на напильник при обратном движении. Сначала заточите зубья с одной стороны затем переверните моторную пилу и заточите зубья с другой стороны.
- Производите заточку так, чтобы все зубья были одинаковой длины. Когда будет оставаться лишь 4 мм (0,16 дюйма) длины зуба, цепь следует выбросить, так как она уже изношена. (8)

Общие сведения относительно снижения ограничителя глубины врезания.

- При заточке режущих зубьев всегда поддерживайте снижение ограничителя глубины врезания. Для выполнения качественного пиления, следует сточить ограничитель глубины врезания до рекомендуемой высоты. См. указания в разделе Технические данные относительно величины снижения ограничителя глубины врезания Вашей пильной цепи.



ПРЕДУПРЕЖДЕНИЕ! Чрезмерно большое ограничение глубины врезания увеличивает риск отдачи пильной цепи!

Регулировка величины снижения ограничителя глубины врезания

- При регулировке подачи, режущие зубья должны быть заново заточены. Мы рекомендуем регулировать величину снижения ограничителя после трех заточек зубьев пильной цепи. Обратите внимание! Данная рекомендация предполагает, что длина режущих зубьев не была сточена слишком много.
- Для регулировки снижения ограничителя необходимо иметь плоский напильник и шаблон регулировки величины снижения ограничителя. Мы рекомендуем пользоваться нашим шаблоном для регулировки величины снижения ограничителя, чтобы снижение имело необходимый размер а ограничитель правильный угол заточки.
- Наложите шаблон на пильную цепь. Информация по использованию шаблона приведена на упаковке. Пользуйтесь плоским напильником для стачивания выступающей

части ограничителя глубины врезания. Снижение ограничителя считается правильным, когда не будет чувствоваться никакого сопротивления, когда Вы проводите напильником по шаблону.

Натяжение цепи



ПРЕДУПРЕЖДЕНИЕ! Недостаточно натянутая цепь пилы вызывает соскакивание цепи, что может привести к опасным и даже к смертельным травмам.



ПРЕДУПРЕЖДЕНИЕ! Пользуйтесь специальными защитными перчатками. Неподвижная цепь также может причинить пользователю или другим лицам серьезные травмы, если они прикоснутся к цепи.

Чем больше Вы пользуетесь пильной цепью, тем больше она растягивается. Важно, чтобы после этого изменения пильный аппарат был отрегулирован.

Проверяйте натяжение цепи при каждой заправке моторной пилы. Обратите внимание! Новая пильная цепь имеет некоторое время приработки, в течение которого следует чаще чем обычно проверять натяжение цепи.

Цепь следует натягивать достаточно туго, но не допуская перетягивания, когда ее невозможно повернуть рукой. (9)

- Ослабьте гайки пильного полотна, которыми крепится крышка сцепления/ тормоз цепи. Пользуйтесь универсальным ключом. После этого затяните гайки рукой как можно сильнее. (10)
- Поднимите носок полотна и подтяните цепь, подкручивая винт натяжения цепи с помощью универсального ключа. Натяните цепь до такой степени, чтобы она не провисала в нижней части полотна. (11)
- С помощью универсального ключа затяните гайки пильного полотна, одновременно поднимая носок полотна. Проверьте, чтобы вы могли свободно прокрутить цепь рукой, и чтобы в то же время она не провисала в нижней части полотна. (12)

Смазка пильного аппарата



ПРЕДУПРЕЖДЕНИЕ! Плохая смазка пильного аппарата может вызвать заклинивание цепи и привести к серьезным и даже к смертельным травмам.

Масло для цепи пилы

Масло для смазки цепи должно удерживаться на цепи и в то же время сохранять свою текучесть как в теплую погоду летом, так и в зимний холод.

Будучи изготовителем цепной пилы, мы разработали оптимальное цепное масло на основе растительного масла, которое является биологически разлагаемым. Мы рекомендуем использовать наше масло с целью максимального увеличения срока службы цепи, а также нанесения минимального вреда окружающей среде. Если наше цепное масло недоступно, рекомендуется использовать стандартное цепное масло.

Никогда не используйте масло, бывшее в употреблении! Это опасно для Вас, для машины и для окружающей среды.

ВАЖНО! При использовании растительного масла для цепи, демонтируйте и очистите канавку на пильной шине и пильную цепь перед тем, как она будет упакована для длительного хранения. В ином случае есть риск того, что масло для смазки цепи приведет к заеданию шарниров пильной цепи и носовой звездочки пильной шины.

Заправка маслом

- Все выпускаемые нами модели моторных пил имеют автоматическую систему смазки. В некоторых моделях также предусмотрена регулировка производительности маслососа.
- Объемы бачка под масло для смазки цепи и топливного бака рассчитаны на то, чтобы топливо кончалось до того, как кончится масло для смазки цепи.

Эта функция безопасности, однако, предполагает: - что Вы используете правильное масло для цепи (жидкое и легко текучее масло израсходуется до того, как окончится топливо), - что Вы выполняете наши рекомендации, относительно установки карбюратора (чрезмерно 'бедная' установка дает расход топлива настолько большим, что топливо закончится после того, как кончается масло смазки цепи) и, - что Вы выполняете рекомендации по режущему оборудованию (чрезмерно длинная шина пилы требует большего количества масла).

Проверка смазки цепи

- Проверку смазки следует проводить всякий раз при заправке топливом. См. указания в разделе Смазка носовой звездочки и пильной шины.

Направьте носок моторной пилы на светлую поверхность на расстоянии прим. 20 см (8 дюймов). После 1 минуты работы на 3/4 оборотов, на светлой поверхности должна быть видна масляная полоска.

Если система смазки не работает:

- Проверьте, чтобы масляный канал в пильном полотне был открыт. При необходимости прочистите.

ОБЩИЕ ПРЕДПИСАНИЯ ПО БЕЗОПАСНОСТИ

- Проверьте, не забился ли паз пильного полотна. При необходимости прочистите.
- Проверьте, свободно ли вращается звездочка на носке пильного полотна, и не забито ли смазочное отверстие. При необходимости его следует прочистить и смазать.

Если после выполнения всех указанных мер работа системы смазки не восстановилась, следует обратиться к специалисту по обслуживанию.

Ведущая звездочка

Барaban (чашка) сцепления соединяется с одной из возможных звездочек привода:

Следует регулярно проверять степень износа звездочки привода. Заменять при сильном износе. При замене цепи следует одновременно заменять и звездочку привода.

Проверка износа пильного механизма

Следует проводить ежедневный осмотр цепи:

- Нет ли видимых трещин в местах сочленений и звеньях цепи.
- Не стала ли цепь тугой на изгиб.
- Сильно ли изношены сочленения и звенья цепи.

Если будут замечены один или несколько из перечисленных пунктов.

Для определения степени износа цепи мы рекомендуем проводить визуальное сравнение с новой цепью.

При стачивании режущих зубьев до длины 4 мм цепь изношена и ее следует заменить.

Пильное полотно

Проводите регулярную проверку:

- Нет ли на ребрах полотна заусенец. При необходимости их следует ликвидировать напильником. (13A)
- Сильно ли изношен паз полотна. При необходимости полотно следует заменить. (13B)
- Насколько сильно изношена или неглатка беговая дорожка пильного полотна. "Впадина" на одной стороне полотна возможна вследствие плохого натяжения цепи.

- Для продления срока службы полотна его следует ежедневно переворачивать.



ПРЕДУПРЕЖДЕНИЕ! Большинство несчастных случаев с цепной пилой происходит при соприкосновении человека с движущейся цепью.

Пользуйтесь оборудованием для защиты людей. См. раздел Защитное оборудование.

Не приступайте к работе без полной уверенности. См. раздел Защитное оборудование, Как избежать отдачи, Режущее оборудование и Общие рабочие инструкции.

Избегайте ситуаций с повышенным риском отдачи. См. раздел Защитное оборудование.

Применяйте рекомендуемые защитные приспособления и регулярно проверяйте их состояние. См. раздел Общие рабочие инструкции.

Проверьте функции деталей защитного оборудования. См. указания в разделе Общие рабочие инструкции и Общие указания по технике безопасности.

Порядок монтажа пильного полотна и цепи



ПРЕДУПРЕЖДЕНИЕ! Перед выполнением проверок или техобслуживания выключайте двигатель. Контакт остановки автоматически возвращается в положение запуска. Во избежание непроизвольного запуска, колпачок зажигания следует всегда снимать со свечи зажигания при монтаже, проверке и/или обслуживании.

При работе с цепью, всегда одевайте защитные перчатки, чтобы предохранить руки от травм.

Проверьте, находится ли тормоз цепи в выключенном положении, для этого сдвиньте ручку тормоза цепи в направлении передней ручки до касания.

Отвинтите гайки крепления пильного полотна и снимите крышку муфты сцепления (тормоза цепи). Снимите транспортировочное кольцо (A). (14)

Установите пильное полотно на специально предназначенные болты. Установите полотно в самое заднее положение. Наденьте цепь на ведущую звездочку и вставьте ее хвостовик в паз пильного полотна. Начинать с верхней стороны пильного полотна. (15)

Убедитесь, что кромки режущих звеньев направлены вперед на верхней стороне пильного полотна.

Установите штифт механизма натяжения цепи в специальное отверстие на пильном полотне и наденьте крышку сцепления. Проверьте правильность установки хвостовиков цепи на ведущую звездочку, протянув цепь вперед по пильному полотну. Затяните гайку пильного полотна пальцами. (16)

Для этого поверните винт механизма регулировки цепи по часовой стрелке. Цепь следует натягивать до тех пор, пока она не будет плотно прилегать к нижней стороне пильного полотна. (17)

Цепь считается натянутой правильно, если она свободно проворачивается рукой. После этого, удерживая носок пильного полотна в верхнем положении, затяните гайки крепления пильного полотна универсальным ключом. (18)

При установке новой цепи следует часто проверять ее натяжение, пока цепь не приработается. Регулярно проверяйте натяжение цепи. Регулярно проверяйте натяжение цепи. Правильно натянутая цепь обеспечивает высокое качество пиления и дольше служит. (19)

Установка зубчатого упора

Для установки зубчатого упора обращайтесь в вашу специальную мастерскую.

Подготовка топливной смеси

Обратите внимание! Машина оснащена двухтактным двигателем и должна всегда работать на смеси бензина и масла для двухтактных двигателей. Чтобы обеспечить правильную смесь, важно тщательно измерить количество добавляемого масла. При добавлении небольшого количества масла, даже небольшая неточности в количестве масла имеют большее значение для смеси.



ПРЕДУПРЕЖДЕНИЕ! При работе с топливом всегда следует заботиться о хорошей вентиляции.

Бензин

- Пользуйтесь высококачественным бензином с добавлением свинца или без.
- Минимальное рекомендуемое октановое число - 90 (RON). Если двигатель работает на бензине с октановым числом ниже 90, может стучать. Это приводит к увеличению температуры двигателя и к увеличению нагрузки на подшипники, что в свою очередь приводит к большим поломкам двигателя.
- При постоянной работе на высоких оборотах, (напр. срезание сучков), рекомендуется работать на более высоком октановом числе.

Обкатка

Избегайте работы на слишком высокой скорости в течение первых 10 часов

Масло для двухтактных двигателей

- для достижения лучшего результата и мощности, пользуйтесь маслом JONSERED для двухтактных двигателей, которое специально создано для наших двухтактных двигателей с воздушным охлаждением.
- Никогда не пользуйтесь маслом, предназначенным для двухтактных лодочных двигателей с водяным охлаждением, т.н. "outboardoil" (наименование TCW).
- Никогда не применяйте масло для четырехтактных двигателей.
- Низкое качество масла или чрезмерно богатая смесь масла/топлива может создать риск поломки функции катализатора и снижения срока его службы.

Пропорции смешивания

1:50 (2%) с маслом для двухтактных двигателей JONSERED.

1:33 (3%) с другими маслами для двухтактных двигателей с воздушным охлаждением, класса JASO FB/ISO EGB.

Бензин, литр	Масло для двухтактных двигателей, литр	
	2% (1:50)	3% (1:33)
5	0,10	0,15
10	0,20	0,30
15	0,30	0,45
20	0,40	0,60

Смешивание

- Всегда смешивайте бензин с маслом в чистой емкости, предназначенной для хранения топлива.
- Сначала всегда наливайте половину необходимого количества бензина. Затем добавьте полное требуемое количество масла. Смешайте (взболтайте) полученную смесь, после чего добавьте оставшуюся часть бензина.
- Тщательно смешайте (взболтайте) топливную смесь перед заливанием в топливный бак машины.
- Не готовьте запас топлива более, чем на месячный срок.
- Если машина не используется в течении длительного времени, топливо нужно слить, а топливный бак вымыть.

Цепное масло

- В качестве смазки рекомендуется использовать специальное масло (для смазки цепи) с хорошим качеством приставания.
- Никогда не применяйте отработанное масло. Это приведет к повреждению масляного насоса, пыльного полотна и пыльной цепи.
- Очень важно применять правильное масло, соответствующие температуре окружающего воздуха (правильная вязкость).
- При температуре ниже 0°C некоторые масла становятся менее вязкими. Это может вызвать перегрузку масляного насоса и привести к выходу из строя его компонентов.
- Для выбора цепного масла следует обратиться к вашему дилеру.

Заправка



ПРЕДУПРЕЖДЕНИЕ! Для уменьшения риска возникновения пожара нужно учесть следующие меры предосторожности:

Не курите и не ставьте никакие горячие предметы рядом с топливом.

Перед заправкой следует обязательно выключить двигатель и дать ему охладиться в течение нескольких минут.

При заправке крышку топливного бака следует открывать медленно, чтобы постепенно стравить избыточное давление.

После заправки плотно затяните крышку топливного бака.

Перед запуском всегда относите машину в сторону от места заправки.

Содержите в чистоте место вокруг крышки топливного и масляного баков. Регулярно мойте баки для топлива и масла цепи. Топливный фильтр следует менять по крайней мере один раз в год. Загрязнение баков может привести к сбоям в работе. Перед заправкой убедитесь, чтобы топливная смесь была хорошо перемешана, для этого взболтайте емкость с топливом. Объемы баков для топливной смеси и масла цепи соответствуют друг другу. Поэтому при заправке топлива обязательно заливаете масло для смазки цепи.



ПРЕДУПРЕЖДЕНИЕ! Топливо и его пары легко воспламенимы. Будьте осторожны при обращении с топливом и маслом. Держите их вдали от открытого огня и не дышите парами топлива.

Правила безопасности при заправке

- Никогда не заправляйте машину с работающим двигателем.
 - Проводите заправку или подготовку топливной смеси (бензин и масло 2-такт) в условиях хорошей вентиляции.
 - Перед запуском отнесите машину как минимум на 3 м от места заправки.
 - Никогда не включайте машину:
- 1 Если Вы пролили топливо или цепное масло на машину. Вытрите пролитое топливо или

масло и дайте остаткам топлива испариться.

- 2 Если вы пролили топливо на себя или свою одежду, смените одежду. Помойте те части тела, которые были в контакте с топливом. Пользуйтесь мылом и водой.
- 3 Если на машине происходит утечка топлива. Регулярно проверяйте крышку топливного бака и шланги на предмет протекания.



ПРЕДУПРЕЖДЕНИЕ! Никогда не пользуйтесь машиной с видимыми повреждениями колпака свечи или кабеля зажигания. Есть риск искробразования, что приводит к пожару.

Транспортировка и хранение

- Всегда храните пилу и топливо в таком месте, чтобы в случае течи или испарений они не пришли в контакт с искрами или с открытым огнем. Например рядом с электромашинами, электромоторами, контакторами/переключателями, котлами и т.п.
- Всегда храните топливо в специально предназначенных для этого емкостях.
- В течение длительного хранения или при транспортировке пилы топливный бак, а также бак с цепным маслом должны быть пустыми. При этом следует проконсультироваться на ближайшей заправочной станции, куда следует сдать топливо и масло.
- Следите за тем, чтобы машины была хорошо очищенной, и чтобы перед ее продолжительным хранением было выполнено полное обслуживание.
- Транспортировочные предохранительные детали должны быть всегда смонтированы при транспортировке или при хранении машины, чтобы избежать непроизвольного контакта с острой цепью. неподвижная цепь также может причинить серьезные травмы, если они прикоснутся к цепи.
- Закрепляйте машину во время транспортировки.

Длительное хранение

Опорожните топливный и масляный бачок в хорошо проветриваемом месте. Храните топливо в одобренных канистрах в безопасном месте. Смонтируйте щит шины пилы. Очистите машину. См. указания в разделе График обслуживания.

Запуск и остановка



ПРЕДУПРЕЖДЕНИЕ! Перед запуском проследите за следующим:

При запуске моторной пилы, тормоз цепи должен быть включен, чтобы снизить риск контакта с вращающейся цепью при запуске.

Никогда не запускайте моторную пилу без шины пилы, цепи пилы и всех колпаков правильно установленных. Сцепление в противном случае может высвободиться и причинить травму.

Положите машину на устойчивую поверхность. Проверьте, чтобы цепь ничего не касалась.

Позаботьтесь, чтобы в рабочей зоне не находилось людей и животных.

Холодный двигатель

Запуск: Тормоз цепи должен при запуске моторной пилы быть включен. Активируйте тормоз, переведя щит отдачи вперед. (20)

1. Топливный насос: Сожмите несколько раз резиновую грушу топливного насоса пока в нее не начнет поступать топливо. Грушу нет необходимости заполнять полностью. (23)

2. Заслонка топлива: Полностью вытяните синий дроссель "Блокировка/Пуск" (в позицию "Полная блокировка"). Когда ручка подсоса будет полностью вытянута, положение запуска будет установлено автоматически. (21)

Газ запуска: Положение комбинации сытение/ газ запуска получим когда установим ручку в положение сытнения. (22)

Запуск

Возьмитесь за переднюю ручку пилы левой рукой. Прижмите цепную пилу к земле, наступив правой ногой на заднюю ручку.

3. Потяните ручку у стартера правой рукой и плавно вытяните шнур стартера, пока храповик не войдет в зацепление, после этого быстро и резко дергайте его, пока двигатель не запустится. Никогда не кручивайте стартовый шнур вокруг руки. (25)

ВНИМАНИЕ! Не вынимайте полностью шнур и не выпускайте ручки стартера при полностью вытянутом шнуре, это может привести к повреждению машины.

4. Как только заработает двигатель (это можно определить по характерному звуку), нажмите до половины кнопку пускового устройства. (21)

5. С силой выт яживайте шнур, пока не запустится двигатель. (26) Дайте двигателю проработать тридцать секунд, чтобы он

согрелся, потом нажмите кнопку пускового устройства и настройте нормальный холостой ход.

Поскольку цепной тормоз все еще не отпущен, необходимо как можно быстрее перевести двигатель на холостой ход путем быстрого однократного нажатия на дроссельный регулятор. Это позволит избавиться муфту, барабан сцепления и тормозную ленту от лишнего трения.

Обратите внимание! Возвратите тормоз цепи, переведя для этого щит отдачи к скобе ручки. Моторная пила после этого готова к использованию. (27)

Теплый двигатель

Используйте ту же процедуру для запуска холодного двигателя, но без установки дросселя в позицию блокировки. Установите дроссель в позицию "Пуск", вытянув синий регулятор в позицию "Блокировка" и снова нажав его. (24)



ПРЕДУПРЕЖДЕНИЕ!

Продолжительное вдыхание выхлопных газов двигателя испарений цепного масла и древесной пыли опасно для здоровья.

- Никогда не запускайте моторную пилу без шины пилы, цепи пилы и всех колпаков правильно установленных. См. указания в разделе Сборка. Без смонтированной на моторной пиле шине пилы и цепи, сцепление может освободиться и вызвать серьезные травмы. (28)
- Тормоз цепи должен быть включен при запуске моторной пилы. См. указания в разделе Запуск и остановка. Никогда не запускайте моторную пилу, бросая ее вниз и удерживая ручку стартового шнура. Этот метод очень опасен, так как Вы можете легко потерять контроль над моторной пилой. (29)
- Никогда не запускайте машину в закрытом помещении. Ее выхлопные газы вредны.
- Пред запуском пилы проверьте, чтобы рядом не было людей или животных, которые могут быть подвергнуты опасности.
- Всегда удерживайте моторную пилу обеими руками. держите правую руку на задней ручке, а левую - на передней. Таким захватом должны пользоваться все, независимо от того левша Вы или правша. Удерживайте крепко захват, чтобы большие и другие пальцы охватывали ручку моторной пилы. (30)

Остановка

Остановите двигатель, нажав кнопку "Стоп". (31)

Перед каждым использованием: (32)

- 1 Проверьте, чтобы тормоз цепи правильно функционировал и чтобы он не был поврежден.
- 2 Проверьте, чтобы задняя защита правой руки не была повреждена.
- 3 Проверьте, чтобы ограничитель ручки газа правильно функционировал и не был поврежден.
- 4 Проверьте, чтобы контакт остановки правильно функционировал, и чтобы он не был поврежден.
- 5 Проверьте все ручки, чтобы они не были в масле.
- 6 Проверьте, чтобы система гашения вибрации функционировала и не была повреждена.
- 7 Проверьте, чтобы глушитель был прочно закреплен и не был поврежден.
- 8 Проверьте, чтобы все детали моторной пилы были затянуты и чтобы они не были повреждены или отсутствовали.
- 9 Проверьте, чтобы захват цепи был на месте и не был поврежден.
- 10 Проверьте натяжение цепи.

Общие рабочие инструкции

ВАЖНО!

В данном разделе описываются основные правила безопасной работы с моторной пилой. Однако данная информация никогда не может заменить подготовки и практического опыта профессионального пользователя. Если вы в какой-либо ситуации почувствуете себя неуверенно, обратитесь за советом к специалисту. Обратитесь в Ваш магазин по продаже моторных пил, в сервисную мастерскую или к опытному пользователю моторной пилой. Избегайте пользования для которого Вы не считаете себя достаточно подготовленным!

Перед началом работы с моторной пилой следует понять, что такое эффект отдачи и как его можно избежать. См. раздел Как избежать отдачи.

Прежде чем приступить к работе с моторной пилой, следует понять разницу в процессе пиления верхней и нижней кромкой пильящего полотна. См. указания в разделе действия по предотвращению отдачи и Оборудование безопасности машины.

Пользуйтесь оборудованием для защиты людей. См. раздел Защитное оборудование.

Основные правила безопасности

1 Оглянитесь вокруг:

- Проверьте, чтобы поблизости не было людей, животных или других объектов, которые могут повлиять на вашу работу.
- Проверьте, чтобы ничего из вышеуказанного не попало в зону действия пилы, или не пострадало при падении дерева.

Обратите внимание! Соблюдайте вышеприведенные правила, но в тоже время не работайте в условиях, когда вы не сможете позвать на помощь при несчастном случае.

2 Не работайте с моторной пилой в плохих погодных условиях. Таких, как густой туман, сильный дождь, резкий ветер, сильный холод, и т.д. Работа в плохую погоду сильно утомляет и вызывает

дополнительный риск, напр. от скользяго грунта или непредсказуемого направления падения дерева и т.д.

3 Будьте особенно внимательны при обрезке мелких ветвей и старайтесь избегать пиления кустарника (т.е. большого количества мелких ветвей одновременно). Мелкие ветки могут быть захвачены цепью и отброшены в вашем направлении, вызвав серьезные травмы.

4 Убедитесь, что вам возможно стоять стабильно. Проверьте, нет ли вокруг вас возможных помех и препятствий (корней, камней, веток, ям и т.д.) если вам вдруг будет нужно быстро переместиться. Будьте особенно внимательны при работе в склоне.

5 Соблюдайте максимальную осторожность при пилении напряженных стволов. Напряженный ствол может внезапно спружинить, вернувшись в первоначальное положение до или после пиления. Если вы стоите с неправильной стороны или начинаете пиление в неправильном месте, дерево может ударить вас или машину так, что вы потеряете управление. Обе ситуации могут привести к серьезной травме.

6 Пред переносом пилы выключите двигатель и заблокируйте цепь тормозом цепи. Переносите пилу при обращенных назад пильном полотне и цепи. Перед переноской пилы на любое расстояние наденьте на полотно защитный чехол.

7 Когда Вы ставите моторную пилу на землю, заблокируйте цепь пилы ценным тормозом и не оставляйте машину без присмотра. При более длительной "парковке", следует выключать двигатель.



ПРЕДУПРЕЖДЕНИЕ! Иногда под крышку сцепления попадает стружка, и цепь заклинивает. Перед чисткой обязательно остановите двигатель.

Общие правила

1 Если вы понимаете, что такое отдача и как она происходит, вы можете уменьшить или полностью исключить элемент

неожиданности при ее возникновении. Будучи подготовленным, вы тем самым снижаете риск. Обычно эффект отдачи достаточно мягкий, но иногда он бывает резким и неожиданным.

2 Всегда крепко держите моторную пилу правой рукой за заднюю ручку и левой за переднюю. Плотно обхватывайте ручки пилы всей ладонью. Такой обхват нужно использовать независимо от того, правша вы или левша. Данный обхват позволяет снизить эффект отдачи, и держать моторную пилу под постоянным контролем. Не дайте пиле вырваться из рук!

3 Чаще всего отдача происходит при обрезке сучьев. Всегда следует находиться в устойчивом положении и предусмотреть, чтобы не возникло причин, которые заставили бы вас пошатнуться или потерять равновесие. Невнимательность может привести к отдаче, если зона отдачи полотна коснется ветвей, ближайшего дерева или другого предмета. держите заготовку под контролем. Если Вы пилите легкие и малые заготовки, они могут застревать в цепи пилы и отбрасываться на Вас. Хотя это может и не быть опасно, но это может заставить Вас врасплах и Вы потеряете контроль над пилой. Никогда не пилите сложные друг на друга бревна или ветки, не разделив их в начале. Пилите только одно бревно или одну заготовку за один раз. Убирайте отпиленные части, чтобы Ваше рабочее место было безопасным.

4 Никогда не поднимайте при работе моторную пилу выше уровня плеч, и не пилите кончиком пильного полотна. Никогда не работайте моторной пилой одной рукой! (33)

5 Для полного контроля за моторной пилой Вы должны устойчиво стоять. Никогда не работайте стоя на лестнице, на дереве или там, где у Вас нет устойчивого основания, на котором Вы могли бы стоять. (34)

6 Всегда работайте с максимальной скоростью пиления, т.е. на полном газе.

7 Будьте особенно внимательны при резании верхней кромкой пильного полотна, т.е. при пилении с нижней стороны предмета. Такой метод называется пиление с протягом. В таких случаях возможно возникновение толчка, в этот момент цепь стремится вытолкнуть моторную пилу в направлении рабочего. Если цепь пилы будет заната, то может произойти отдача моторной пилы назад на Вас.

8 Если в этот момент не прикладывать достаточного противодействующего усилия, то возникает риск того, что моторная пила продвинется назад настолько, что дерева будет касаться только зона отдачи полотна, в этот момент может произойти отдача. (35)

Резка нижней кромкой полотна, т.е. от поверхности объекта к нижнему краю известна как пиление с нажимом. В этом случае моторная пила сама наезжает на дерево и передний край моторной пилы соответствует естественному положению при резке. Пиление с нажимом обеспечивает лучший контроль над моторной пилой и расположением области отдачи.

- 9 При заточке и уходе за пильным полотном и цепью следует выполнять требования инструкций. При замене пильного полотна и цепи используйте только рекомендованные нами варианты. См. Раздел Режущее оборудование и Технические характеристики.

Базовая техника пиления



ПРЕДУПРЕЖДЕНИЕ! Никогда не пользуйтесь моторной пилой, держа её только одной рукой. Вы не можете безопасно управлять моторной пилой только одной рукой. Захват ручки должен быть всегда уверенным и обеими руками.

Общие сведения

- При пилении всегда работайте на полном газе!
- После каждого пиления снижайте обороты холостого хода (работа двигателя на полном газу без нагрузки в течение долгого времени может привести к серьезным повреждениям двигателя).
- Резка сверху = пиление "с протягом".
- Резка снизу = пиление "с нажимом".

Работа с "нажимом" цепью увеличивает риск отдачи. См. раздел Как избежать отдачи.

Понятия

Пиление = Общее понятие при пилении древесины.

Обрезка сучьев = Спиливание сучьев на поваленном дереве.

Раскалывание = Случай, когда объект ломается до того, как вы закончили пиление.

Перед выполнением пиления следует учесть пять важных факторов:

- 1 Проследите, чтобы пильное полотно не оказалось зажатым в пропиле.
- 2 Следите, чтобы бревно не расколосось.
- 3 Следите, чтобы пильная цепь не зацепила грунт или другой объект во время или после пиления.
- 4 Проверьте, есть ли риск возникновения отдачи?
- 5 Не влияют ли окружающие условия на безопасность вашей работы, как вам можно идти и стоять?

На возможность зажатия полотна или расщепление бревна могут повлиять два

фактора: Это определяется тем, на что опирается бревно, и находится ли оно в напряжении.

В большинстве случаев вы можете обойти эти проблемы выполняя пиление в два этапа; с верхней и с нижней части бревна. Необходимо укрепить бревно так, чтобы оно "не хотело" зажать цепь и не расколос во время резки.

ВАЖНО! Если цепь зажалась в пропиле: остановите двигатель! Не пытайтесь тащить пилу из зажима. Так вы можете повредить цепь, если вдруг пила неожиданно освободится. Используйте какой-нибудь рычаг для того, чтобы развести пропил и вынуть полотно.

Следующие правила описывают наиболее типичные ситуации, с которыми вы можете столкнуться во время работе с цепной пилой.

Обрезка сучьев

При обрезке сучьев и толстых веток следует использовать тот же подход, что и при пилении.

Наиболее трудные участки следует проходить поэтапно.

Пиление



ПРЕДУПРЕЖДЕНИЕ! Не пытайтесь никогда пилить бревна, когда они лежат в штабелях или когда два бревна плотно прилегают одно к другому. Такой метод работы сильно увеличит риск отдачи, в результате которого может произойти серьезная или опасная для жизни травма.

Если бревна лежат в штабелях, то в начале снимите каждое бревно, которое Вы собираетесь пилить, положите его на пильные козлы или на на пильную раму и пилите затем отдельно.

Убирайте распиленные заготовки с участка работы. Оставляя заготовки на участке работы, Вы тем самым увеличиваете риск непредвиденной отдачи, и риск потери баланса во время работы.

Бревно лежит на земле. В данном случае не есть риск зажатия полотна или раскола бревна. Однако есть большой риск, что цепь коснется грунта в момент завершения пиления.

Выполняйте пиление от начала и до конца с верхней части бревна. Попробуйте не коснуться грунта в момент окончания резки. Работайте на полном газу, но будьте готовы, что цепь может коснуться грунта. (36)

Если есть возможность (=можно перевернуть бревно), то следует остановить резку после пропила прим. 2/3 бревна.

Переверните бревно и закончите пиление с противоположной стороны.

Бревно опирается одним концом. В данном случае велика вероятность раскалывания бревна.

Начинайте пиление снизу (следует пройти 1/3 толщины).

Заканчивать пиление следует сверху до встречи двух пропилов.

Бревно опирается на оба конца. В данном случае велика вероятность зажима пильной цепи.

Начинайте пиление сверху (следует пройти 1/3 толщины ствола).

Заканчивать пиление следует снизу до встречи двух пропилов.

Техника валки деревьев

ВАЖНО! Для валки деревьев требуется значительный опыт. Неопытным в обращении с моторной пилой людям не следует приниматься за валку. Никогда не беритесь за работу, если не чувствуете полной уверенности!

Безопасная дистанция

Минимальная безопасная дистанция между деревом, которое должно быть повалено, и работающими поблизости людьми должна составлять 2 1/2 длины дерева. Проследите, чтобы перед или во время валки дерева в "зоне риска" никого не было. (37)

Направление падения

Для валки дерева нужно выбрать направление, наиболее удобное для последующей обрезки сучьев и разделки. Нужно сравнительно безопасно передвинуть.

Если вы выбрали направление, в котором нужно повалить дерево, вы должны предусмотреть, как будет происходить падение естественным путем.

Факторы, влияющие на этот аспект:

- Наклон
- Искривление
- Направление ветра
- Концентрация веток
- Возможный вес снега
- Препятствия на участке вокруг дерева, например: другие деревья, линии передач, дороги и строения.
- Проверьте, чтобы на стволе не было повреждений или гнили, это приводит к тому, что дерево может начать падать раньше, чем Вы этого ожидаете.

Может оказаться, что вы вынуждены валить дерево в направлении его естественного падения, т.к. направить дерево для падения в выбранном вами направлении невозможно или опасно.

Другой важный фактор, не влияющий на направление падения, но который может повлиять на вашу безопасность - это повреждения дерева или "мертвые" сучья, которые могут во время падения обломиться и ударить вас.

Основной задачей является не допустить падения дерева на другие деревья. Очень опасно удалять захваченное дерево, очень высок риск несчастного случая. Обратитесь к

инструкциям в разделе Освобождение неудачно поваленного дерева.

ВАЖНО! Во время ответственных работ по валке леса необходимо приподнять приспособление для защиты слуха сразу, как только пиление закончено с тем, чтобы слышать звуки и предупреждающие команды.

Очистка ствола и подготовка пути к отходу
Очистите дерево от сучков до уровня плеч. Безопаснее всего работать сверху вниз, чтобы ствол был между Вами и моторной пилой. Уберите всю поросль у корней дерева и расчистите место от помех (камни, ветки, норы и т.д.), чтобы у вас была возможность беспрепятственного отхода, когда дерево начнет падать. Направление вашего отступления должно составлять прим. 135 градусов относительно предполагаемого направления падения. (38)

- 1 Зона риска
- 2 Эвакуационный проход
- 3 Направление падения

Падение



ПРЕДУПРЕЖДЕНИЕ! Мы рекомендуем не приступать к повалке деревьев с диаметром, большим длины режущего полотна, без специальной подготовки!

Для валки делаются три пропила. Прежде всего направляющий подпил, состоящий из верхнего и нижнего пропилов. После этого делается "основной подпил". Правильно выполняя эти пропилы, вы можете достаточно точно контролировать направление падения.

Направляющий подпил

Первым делается верхний пропил. Встаньте справа от дерева и сделайте пропил сверху вниз под углом.

После этого делается нижний пропил так, чтобы он сошелся с концом верхнего пропила. (39)

Направляющий пропил делается на глубину 1/4 ствола и угол между верхним и нижним пропилом должен быть не меньше чем 45 градусов.

Линия, на которой сходятся два этих пропила, называется направляющей линией. Эта линия должна быть строго горизонтальной и составлять прямой угол (90 градусов) к предполагаемому направлению падения. (40)

Основной пропил

Основной пропил делается с противоположной стороны дерева и должен быть строго горизонтальным. Встаньте с левой стороны от дерева и сделайте пропил нижней кромкой пильного полотна.

Сделайте основной пропил на 3-5 см (1.5-2 дюйма) выше плоскости направляющего пропила. Вставьте зубчатый упор (если установлен) сзади надреза. Работайте на полном газу и

вводите пильное полотно в ствол дерева постепенно, плавным движением. Следите за тем, чтобы дерево не начало перемещаться в направлении, противоположном предполагаемому направлению падения. Как только пропилен будет достаточно глубоким, загоните в него клин или вагу. (41)

Закончить основной пропил нужно параллельно линии направляющего пропила так, чтобы расстояние между ними составляло около 1/10 диаметра ствола. Нераспиленный участок ствола называется полоса разлома (недопил).

Полоса разлома действует как петельный шарнир, задающий направление падения дерева. (42)

Возможность влияния на направление падения будет полностью утрачена, если полоса разлома слишком узкая или пропилована направляющий и основной пропилы плохо размещены.

После того, как выполнены основной и направляющий пропилы, дерево начнет падать под действием собственного веса или с помощью направляющего клина или ваги.

Мы рекомендуем пользоваться шиной пилы, длина которой бы превышала диаметр ствола, чтобы валяющий и направляющий срезы могли выполняться т.н. "одинарным срезом". См. указания в разделе Технические данные, относительно рекомендуемой длины шины пилы для Вашей модели моторной пилы.

Существуют методы валки деревьев с полотном, меньшим диаметра ствола. Однако эти методы достаточно опасны, т.к. область отдачи полотна входит в контакт с предметом.

Освобождение неправильно поваленного дерева

Освобождение "захваченного дерева"

Очень опасно удалять захваченное дерево, очень высок риск несчастного случая.

Никогда не пытайтесь пилить дерево, на которое упало другое дерево.

Никогда не работайте в зоне риска висящих и застрявших деревьев.

Наиболее безопасный метод - применение лебедки.

- Тракторная
- Переносная

Обрезка веток и сучьев, находящихся в напряжении

Подготовка: Продумайте путь, по которому дерево или сук сместится при освобождении от нагрузки, и где находится точка разлома (т.е. место, где может произойти разлом при увеличении нагрузки).

Попробуйте найти самый безопасный метод для снятия нагрузки, и способны ли вы это сделать без ущерба для себя. В сложных ситуациях

единственный безопасный метод - отставить пилу в сторону и использовать лебедку.

Общие рекомендации:

Выберите для себя место так, чтобы при снятии нагрузки дерево или сучья не задели бы вас.

Сделайте один или несколько пропилов в области точки разлома. Сделайте столько пропилов на нужную глубину, сколько необходимо для снятия нагрузки и "разлома" дерева в точке разлома.

Никогда полностью не пилите дерево или сук, находящийся в напряжении!

Если Вам необходимо перепилить дерево/ветку, сделайте два или три разреза на расстоянии в 3 см и глубиной в 3-5 см.

Продолжайте пилить глубже, пока не освободится изгиб и напряжение дерева/ветки.

Пилите дерево/ветку с противоположной стороны, после того, как напряжение освободится.

Как избежать отдачи



ПРЕДУПРЕЖДЕНИЕ! Отдача может быть исключительно быстрой, неожиданной и сильной, и может отбросить моторную пилу, полотно и цепь на оператора. Если такое происходит при движущейся цепи, это может вызвать серьезные, иногда смертельные травмы. Поэтому жизненно необходимо понимать, что такое эффект отдачи и как его можно избежать, применяя меры предосторожности и правильные методы работы.

Что такое отдача?

Понятие отдачи используется для описания неожиданного отскока моторной пилы назад, когда верхняя четверть носка пильного полотна (известная как зона отдачи) касается какого-либо предмета. (43)

Отдача всегда происходит в плоскости резания пилы. Обычно при отдаче моторную пилу отбрасывает назад и вверх в направлении рабочего. Тем не менее моторная пила в момент отдачи может двигаться в различных направлениях в зависимости от метода резки, который применялся в момент касания зоны отдачи полотна и объекта.

Отдача происходит только в момент касания зоны отдачи и объекта. (44)

Обрезка сучьев



ПРЕДУПРЕЖДЕНИЕ! Чаще всего отдача происходит при обрезке веток. Никогда не пилите в зоне риска отдачи на шине пилы. Будьте исключительно осторожны и избегайте контакта кончика шины пилы с бревном, с другими ветками или предметами. Будьте исключительно осторожны с ветками, которые находятся в пружинящем состоянии. Они могут отпружинить обратно на Вас и привести к тому, что Вы потеряете контроль над пилой, что приведет к травме.

Проверьте, чтобы вы стабильно шли и стояли. Во время работы стойте с левой стороны дерева. Для максимального контроля пилу следует держать как можно ближе. По возможности весь вес пилы следует направить на ствол.

По мере продвижения вдоль ствола держите пилу так, чтобы дерево находилось между вами и пилой.

Распилка ствола в бревна

См. раздел Базовая техника пиления.

Общие сведения

Пользователь может выполнять только такие работы по обслуживанию и сервису, которые описаны в данном руководстве. Обслуживание большего охвата должно выполняться авторизованной сервисной мастерской.

Регулировка карбюратора

Настоящее изделие Jonsered сконструировано и изготовлено согласно спецификации, снижающей количество вредных выхлопных газов.

Работа

- Карбюратор управляет оборотами двигателя. Воздушно-топливную смесь, состав которой можно регулировать. Для обеспечения максимальной эффективности работы машины карбюратор должен быть правильно отрегулирован.
- Винт Т регулирует обороты холостого хода. Поворот винта Т по часовой стрелке увеличивает обороты холостого хода, поворот против часовой стрелке уменьшает холостой ход.

Установка основных параметров и обкатка

Основная регулировка карбюратора выполняется на заводе во время испытания. Точная регулировка должна выполняться опытным специалистом.

Рекомендуемое кол-во оборотов на холостом ходу: См. Раздел Технические характеристики.

Точная установка оборотов холостого хода Т
Отрегулируйте обороты холостого хода с помощью винта Т. При необходимости

перенастройки сначала поверните винт Т (по часовой стрелке) с работающим двигателем до начала вращения пильной цепи. Потом откройте (против часовой стрелки) до полной остановки цепи. При правильно отрегулированном режиме холостого хода двигатель начинает работать плавно из любого положения с запасом до того числа оборотов холостого хода, когда цепь начинает вращаться.



ПРЕДУПРЕЖДЕНИЕ! В случае если обороты холостого хода не регулируются до полной остановки цепи, следует связаться с вашим дилером. Не пользуйтесь моторной пилой, пока она не будет правильно настроена или отремонтирована.

Осмотр, уход и обслуживание защитных приспособлений моторной пилы

Обратите внимание! Сервис и ремонт машины требуют специальной подготовки. Это в особенной степени относится к оборудованию безопасности машины. Если машина не отвечает требованиям описанных ниже проверок, мы рекомендуем Вам обратиться в специализированную мастерскую. Все остальные работы для поддержки надо провести специалистом поставщика (дилером).
Перед выполнением ремонта или технического обслуживания остановите двигатель и отсоедините провод зажигания

Тормоз цепи и рукоятка охраны против отдачи

Проверка износа тормозной ленты

Очистите опилки, остатки смолы и пыль с поверхности тормоза цепи и барабана муфты. Грязь и износ наруша работу тормоза. (45)

Регулярно проверяйте, чтобы лента тормоза была по крайней мере толщиной минимал 0.6 мм в самом изношенном месте.

Проверка ручки тормоза

Проверьте, чтобы ручка тормоза не была повреждена и чтобы не было видимых дефектов, таких, как трещины.

Сдвиньте ручку тормоза вперед и назад, удостоверьтесь, что она перемещается свободно, и надежно фиксируется на крышке сцепления. (46)

Проверка автоматического тормоза

держите моторную пилу с выключенным двигателем над бревном или над другим устойчивым предметом. Отпустите переднюю ручку и дайте моторной пиле опуститься под собственным весом, вращаясь вокруг задней ручки в сторону пня.

При прикосновении пильного полотна к пню должен сработать тормоз. (47)

Проверка функции тормоза

Запустите моторную пилу и положите ее на стабильное основание. Проверьте, чтобы цепь не касалась грунта или любого другого объекта. Выполняйте указания в разделе **Запуск и остановка**.

Твердо возьмите моторную пилу, обхватив ручки всей ладонью.

Дайте полный газ и приведите в действие тормоз цепи, нажав левую кистью на ручку тормоза. Не пускайте пружинную ручку. Цепь при этом должна немедленно остановиться.

Рычаг блокировки курка газа

- Проверьте, чтобы ручка газа в момент возвращения блокировочного рычага в исходное положение была заблокирована на холостом ходу.
- Нантите блокировочный рычаг газа и удостоверьтесь, что он возвращается в первоначальное положение при его отпуске.
- Проверьте, чтобы ручка газа и блокировочный рычаг перемещались свободно и чтобы возвратные пружины работали соответствующим образом.
- Запустите пилу и дайте полный газ. Отпустите ручку газа и проверьте, чтобы цепь остановилась и оставалась неподвижной. Если цепь продолжает вращаться при положении ручки газа на холостом ходу, то нужно проверить регулировку карбюратора.

Уловитель цепи

Проверьте, чтобы на уловителе цепи не было повреждений, и чтобы он был надежно закреплен на корпусе моторной пилы.

Защита для правой руки

Проверьте, чтобы приспособление для защиты правой руки не имело повреждений и таких видимых дефектов, как трещины.

Система гашения вибрации

Регулярно проверяйте, чтобы на виброгасящих элементах не было трещин или деформаций. Проверьте, чтобы виброгасящие элементы были надежно закреплены на блоке двигателя и ручках.

Контакт остановки

Запустите двигатель и проверьте, чтобы он остановился при переводе выключателя в положение стоп.

Глушитель

Никогда не используйте машину с дефектным глушителем. Периодически проверяйте, чтобы глушитель был надежно закреплен на корпусе машины.

Обратите внимание: Улавливатель искр (А) на данной машине заменяем. (48) В случае повреждения сетку следует заменить. При засоренной сетке машина может перегреться, что приведет к повреждениям цилиндра и поршня.

Никогда не используйте машину с засоренной или поврежденной сеткой. Никогда не работайте с глушителем, у которого отсутствует или поврежден искрогасящий фильтр.

При обычном домашнем использовании в замене глушителя и искроулавливателя нет необходимости.

Воздушный фильтр

Воздушный фильтр следует регулярно чистить от пыли и грязи для того, чтобы избежать следующих повреждений:

- Сбой в работе карбюратора
- Трудность запуска
- Падение мощности двигателя
- Напрасный износ частей двигателя
- Чрезмерный расход топлива
- Воздушный фильтр (3) может быть снят после того, как будут сняты крышка блока цилиндра, винт (1) и крышка воздушного фильтра (2). При обратной сборке проверьте, чтобы воздушный фильтр был плотно посажен обратно на место. Почистите фильтр щеткой или вытряхните его. (49)

Для более тщательной чистки фильтр следует помыть в воде с мылом.

Воздушный фильтр после эксплуатации в течение некоторого времени невозможно полностью вычистить. Поэтому его нужно периодически менять на новый. Поврежденный воздушный фильтр необходимо заменить.

Свеча зажигания

На работу свечи зажигания влияют следующие факторы:

- Неправильная регулировка карбюратора.
- Неудовлетворительная рабочая смесь (слишком много масла или несоответствующее масло).
- Грязный воздушный фильтр.

Эти факторы влияют на образование нагара на электродах свечи и могут привести к сбоям в работе и трудностям при запуске.

Если двигатель теряет мощность, плохо запускается, плохо: Превдe жeгo дeржит обороты холостого хода: прeждe всeгo проверьтe свечу зажигания. Если свеча грязная, прочистите ее и проверьте зазор электродов, 0,5 мм. Свечу нужно менять через месяц работы или при необходимости чаще. (50) Обратите внимание! Всегда используйте только указанный тип свечи! Применение несоответствующей модели может привести к серьезным повреждениям поршня/цилиндра. Следите за тем, чтобы свеча была оснащена т.н. изоляцией радиопомех.

График технического обслуживания

Ниже приведен перечень обслуживания, которое необходимо выполнять на машине. Большинство пунктов описаны в разделе Обслуживание.

Ежедневное обслуживание (Каждые 5-10 ч)	Еженедельное обслуживание (Каждые 10-25 ч)	Ежемесячное обслуживание (Каждые 25-40 ч)
Очистите инструмент снаружи.	Проверьте стартер, шнур стартера и возвратную пружину.	Осмотрите ленту тормоза цепи на предмет износа. Замените, когда остается 0,6 мм в наиболее изношенном месте.
Проверьте, плавно и безопасно ли работают части дроссельной заслонки. (Рычаг газа и блокировочный рычаг ручки газа.)	Проверьте виброгасящие элементы на предмет ослабления или износа.	Осмотрите муфту сцепления, ее барабан и пружины на предмет износа.
Прочистите тормоз цепи и проверьте, чтобы он работал, как полагается по инструкции. Проверьте, чтобы не был поврежден уловитель цепи, в противном случае немедленно его замените.	Сточите заусенцы на беговых дорожках пильного полотна.	Прочистите свечу зажигания. Проверьте зазор 0,5 мм.
Для увеличения срока службы следует ежедневно переворачивать пильное полотно. Проверьте смазочное отверстие, чтобы убедиться в том, что оно не засорилось. Прочистите паз полотна. Если на полотне имеется отверстие для смазки носовой звездочки, ее нужно смазать.	Прочистите пространство под карбюратор.	Очистите снаружи карбюратор.
Проверьте правильность работы масленки, чтобы убедиться в достаточной смазке пильного полотна и цепи.	Прочистите воздушный фильтр. В случае необходимости замените.	Осмотрите топливный фильтр и топливный шланг. Замените его в случае необходимости.
Проверяйте цепь моторной пилы на видимое образование трещин в заклепках и звеньях, если цепь жесткая или если заклепки и звенья ненормально изношены. Замените в случае необходимости.		Опорожните топливный бак и очистите его изнутри.
Заточите цепь, проверьте ее натяжение и состояние. Проверьте ведущую звездочку на предмет не нормального износа и при необходимости замените ее.		Опорожните масляный бак и очистите его изнутри.
Очистите воздухозаборник стартового аппарата.		Осмотрите все провода и соединения.
Проверьте затяжку гаек и болтов и подтяните в случае необходимости.		
Проверьте работу контакта остановки.		
Проверьте, чтобы не было утечки топлива с двигателя, бака или трубок подачи топлива.		

Технические характеристики

	CS 2234	CS 2238
Двигатель		
Объем цилиндра, см ³	38	38
длина хода, мм	32	32
Обороты холостого хода, об/мин	3000	3000
Мощность, кВт	1,4/9000	1,5/9000
Система зажигания		
Свеча зажигания	Champion RCJ 7Y	Champion RCJ 7Y
Зазор электродов, мм	0,5	0,5
Система топлива / смазки		
Емкость топливного бака, литров	0,3	0,3
Производительность масляного насоса при 8500 об/мин, мл/мин	7	7
Емкость масляной системы, литр	0,19	0,19
Тип масляного насоса	Автоматический	Автоматический
Вес		
Моторная пила без пильного полотна и цепи и топлива, кг	4,7	4,7
Эмиссия шума (См. Примечание 1)		
Уровень шума, измеренный дБ(А)	115	115
Уровень шума, гарантированный L _{WA} дБ(А)	118	118
Уровни шума (См. Примечание 2)		
Эквивалентный уровень шума на уровне уха пользователя, дБ (А)	100,6	100,6
Эквивалент уровней вибрации, a _{hveq} (см. примечание 3)		
На передней ручке, м/сек ²	3,7	3,7
На задней ручке, м/сек ²	5,1	5,1
Цепь/полотно		
Стандартная длина пильного полотна, дюйм/см	14/35, 16/40	14/35, 16/40
Рекомендуемая длина пильного полотна, дюйм/см	14/35, 16/40	14/35, 16/40
Приемлемая длина резки, дюйм/см	13,5/34, 15,5/39	13,5/34, 15,5/39
Шаг, дюйм/мм	3/8 / 9,52	3/8 / 9,52
Толщина приводного звена, дюйм/мм	0,050/1,3	0,050/1,3
Тип ведущей звездочки/количество зубьев	6	6
Скорость цепи при макс. мощности, м/сек	17,1	17,1

Примечание 1: Шумовая эмиссия в окружающую среду измеряется как шумовой эффект (L_{WA}) согласно Директивы ЕС 2000/14/EG.

Примечание 2: Эквивалент уровня шумового давления, согласно ISO 22868, вычисляется как взвешенная по времени сумма энергии для разных значений шумового давления при различных условиях работы. Типичный статистический разброс для эквивалентного шумового давления — это стандартное отклонение 1 дБ (А).


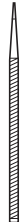

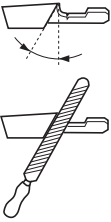

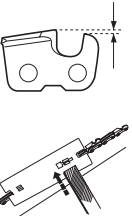
Примечание 3: Эквивалент уровня вибрации, согласно ISO 22867 вычисляется как взвешенная по времени сумма энергии для разных уровней вибрации при различных условиях работы. Указанные данные об эквивалентном уровне вибрации имеют типичный статистический разброс (стандартное отклонение) 1 м/с².

ТЕХНИЧЕСКИЕ ХАРАКТЕРИСТИКИ

Совместимость моделей пильного полотна и цепи

Следующие режущие инструменты утверждены для модели Jonsered CS2234, CS 2238.

Пильное полотно				Пильная цепь	
Длина, дюймы	Шаг, дюйм	Ширина канавки, мм	Максимальное количество зубьев конечной звездочки	Тип	длина, ведущие звенья (шт.)
14	3/8	1,3	7Т	Jonsered H37	52
16	3/8		7Т		56
18	3/8		7Т		62

					
	inch/mm				inch/mm
H37	5/32/4,0	80°	30°	0°	0.025/0,65

Гарантия ЕС о соответствии

(Только для Европы)

Husqvarna AB, SE-561 82 Huskvarna, Швеция, телефон +46-36-146500, настоящим гарантируем, что моторная пила Jonsered CS 2234, CS 2238 с серийным номером 2009 года и далее (на табличке данных после цифр обозначающих год изготовления следует серийный номер), соответствует требованиям ДИРЕКТИВЫ СОВЕТА:

- от 17 мая 2006 года, "относится к механическому оборудованию" 2006/42/ЕС
- от 15 декабря 2004 года "об электромагнитной совместимости" 2004/108/ЕЕС.
- от 8 мая 2000 года "об эмиссии шума в окружающую среду" 2000/14/ЕГ.

Дополнительная информация по эмиссиям шума приведена в разделе Технические характеристики. Были использованы следующие стандарты: EN ISO 12100-2:2003, CISPR 12:2005, EN ISO 11681-1:2004

Зарегистрированная организация: 0404, SMP Svensk Maskinprovning AB, Fyrisborgsgatan 3, SE-754 50 Uppsala, Швеция, произвел проверку соответствия нормам ЕС согласно Директивы машин (2006/42/ЕГ) Статья 12, пункт 3б. Сертификатам типового контроля ЕС согласно приложению IX присвоен номер: 0404/09/2048

После этого Машинный испытательный центр Svensk Maskinprovning AB, Fyrisborgsgatan 3, SE-754 50 Uppsala, Швеция, подтвердил соответствие с приложением V к Директиве Совета от 8 мая 2000 года "об эмиссии шума в окружающую среду" 2000/14/ЕГ. Сертификатам присвоен номер: 26/161/003 - CS 2234, 26/161/004 - CS 2238.

Поставленная моторная пила соответствует экземпляру, прошедшему проверку на соответствие нормам ЕС.

Huskvarna, 29 декабря 2009 г.



Ronnie E. Goldman, технческий Директор Отделение ручного и портативного садово-огородного инвентаря

Cher client,

Félicitations pour ce choix d'un produit Jonsered.

Nous sommes persuadés que vous apprécierez la qualité et les performances de nos produits pendant de longues années. L'achat d'un de nos produits vous garantit une assistance professionnelle au niveau du service et des réparations en cas de besoin. Si la machine n'a pas été achetée chez un de nos revendeurs autorisés, demandez à un revendeur l'adresse de l'atelier d'entretien le plus proche.

Nous espérons que cette machine vous donnera toute satisfaction et qu'elle vous accompagnera pendant de longues années. N'oubliez pas que ce manuel d'utilisation est important. En suivant les instructions qu'il contient (utilisation, révision, entretien, etc.), il est possible d'allonger considérablement la durée de vie de la machine et d'augmenter sa valeur sur le marché de l'occasion. En cas de vente de la machine, ne pas oublier de remettre le manuel d'utilisation au nouveau propriétaire.

Bonne chance avec votre nouveau produit Jonsered!

Jonsered travaille continuellement au développement de ses produits et se réserve le droit d'en modifier, entre autres, la conception et l'aspect sans préavis.

Symboles sur la machine:

AVERTISSEMENT! Cette tronçonneuse peut être dangereuse! Une utilisation erronée ou négligente peut occasionner des blessures graves, voire mortelles pour l'utilisateur ou une tierce personne.



Lire attentivement et bien assimiler le manuel d'utilisation avant d'utiliser la machine.



Toujours utiliser:

- Casque de protection homologué
- Protecteurs d'oreilles homologués
- Lunettes protectrices ou visière



Ce produit est conforme aux directives CE en vigueur.



Émissions sonores dans l'environnement selon la directive de la Communauté européenne. Les émissions de la machine sont indiquées au chapitre Caractéristiques techniques et sur les autocollants.



Toujours utiliser les deux mains pour manipuler la tronçonneuse.



L'opérateur doit utiliser ses deux mains lorsqu'il fait fonctionner la tronçonneuse.



Éviter tout contact de la pointe du guide-chaîne avec un objet.



AVERTISSEMENT! Il risque de se produire un rebond si le nez du guide entre en contact avec un objet et entraîne une réaction qui projette le guide vers le haut et vers l'utilisateur. Ceci risque de causer de graves blessures personnelles.



Frein de chaîne, activé (gauche) Frein de chaîne, non activé (droit)



Les autres symboles/ autocollants présents sur la machine concernent des exigences de certification spécifiques à certains marchés.

Quels sont les composants de la tronçonneuse? (1)

- 1 Autocollant d'information et d'avertissement
- 2 Capot de cylindre
- 3 Pompe à carburant
- 4 Poignée de lanceur
- 5 Commande starter/blocage du ralenti accéléré
- 6 Bouton d'arrêt (Activation et désactivation de l'allumage.)
- 7 Poignée arrière
- 8 Réservoir d'essence
- 9 Vis de réglage du carburateur
- 10 Lanceur
- 11 Réservoir d'huile pour chaîne
- 12 Plaque de numéro de série et de produit
- 13 Blocage de l'accélération (Empêche toute accélération accidentelle.)
- 14 Poignée avant
- 15 Arceau protecteur
- 16 Silencieux
- 17 Guide-chaîne
- 18 Pignon avant
- 19 Chaîne
- 20 Patin d'ébranchage
- 21 Capteur de chaîne
- 22 Vis de tendeur de chaîne
- 23 Carter d'embrayage
- 24 Poignée arrière avec protection de la main droite
- 25 Commande de l'accélération
- 26 Manuel d'utilisation
- 27 Clé universelle
- 28 Fourreau protecteur du guide-chaîne

Sommaire

INTRODUCTION

- Cher client, 404
Symboles sur la machine: 404
Quels sont les composants de la tronçonneuse? . 405

SOMMAIRE

- Sommaire 405

INSTRUCTIONS GÉNÉRALES DE SÉCURITÉ

- Mesures à prendre avant de mettre en usage une tronçonneuse neuve 406
Important! 406
Utilisez toujours votre bon sens 406
Équipement de protection personnelle 407
Équipement de sécurité de la machine 407
Équipement de coupe 409

MONTAGE

- Montage du guide-chaîne et de la chaîne 412

MANIPULATION DU CARBURANT

- Carburant 413
Remplissage de carburant 413
Sécurité carburant 414

DÉMARRAGE ET ARRÊT

- Démarrage et arrêt 414

TECHNIQUES DE TRAVAIL

- Avant chaque utilisation: 415
Méthodes de travail 415
Mesures anti-rebond 419

ENTRETIEN

- Généralités 419
Réglage du carburateur 419
Contrôle, maintenance et entretien des équipements de sécurité de la tronçonneuse 419
Silencieux 420
Filtre à air 420
Bougie 420
Schéma d'entretien 421

CARACTÉRISTIQUES TECHNIQUES

- Caractéristiques techniques 422
Combinaisons guide-chaîne et chaîne 423
Assurance de conformité UE 423

Mesures à prendre avant de mettre en usage une tronçonneuse neuve

- Lisez attentivement ce manuel d'utilisation.
- **(1) - (50)** fait référence aux figures des p. 2-5.
- Vérifier le montage et le réglage de l'outil de coupe. Voir les instructions au chapitre Montage.
- Remplissez de carburant et démarrez la tronçonneuse. Voir les instructions aux chapitres Manipulation du carburant et Démarrage et arrêt.
- Ne pas utiliser la tronçonneuse avant que la chaîne ait reçu une quantité suffisante d'huile de chaîne. Voir les instructions au chapitre Lubrification de l'équipement de coupe.
- Une exposition prolongée au bruit risque de causer des lésions auditives permanentes. Toujours utiliser des protecteurs d'oreille agréés.



AVERTISSEMENT! Ne jamais modifier sous aucun prétexte la machine sans l'autorisation du fabricant. N'utiliser que des accessoires et des pièces d'origine. Des modifications non-autorisées et l'emploi d'accessoires non-homologués peuvent provoquer des accidents graves et même mortels, à l'utilisateur ou d'autres personnes.



AVERTISSEMENT! Utilisée de manière erronée ou négligente, la tronçonneuse peut être un outil dangereux pouvant causer des blessures personnelles graves, voire mortelles. Il importe donc de lire attentivement et de bien assimiler le contenu de ce manuel d'utilisation.



AVERTISSEMENT! L'intérieur du silencieux contient des produits chimiques pouvant être cancérogènes. Éviter tout contact avec ces éléments si le silencieux est endommagé.



AVERTISSEMENT! Une inhalation prolongée des gaz d'échappement du moteur, du brouillard d'huile de chaîne et de la poussière de copeaux peut constituer un danger pour la santé.



AVERTISSEMENT! Cette machine génère un champ électromagnétique en fonctionnement. Ce champ peut dans certaines circonstances perturber le fonctionnement d'implants médicaux actifs ou passifs. Pour réduire le risque de blessures graves ou mortelles, les personnes portant des implants médicaux doivent consulter leur médecin et le fabricant de leur implant avant d'utiliser cette machine.

Important!

IMPORTANT!

La machine est conçue pour le sciage du bois seulement. Utilisez seulement les combinaisons guide-chaîne/chaîne recommandées au chapitre Caractéristiques techniques.

N'utilisez jamais la machine si vous êtes fatigué, avez bu de l'alcool ou pris des médicaments susceptibles d'affecter votre vue, votre jugement ou la maîtrise de votre corps.

Utiliser les équipements de protection personnelle. Voir au chapitre Équipement de protection personnelle.

Ne modifiez jamais cette machine de façon à ce qu'elle ne soit plus conforme au modèle d'origine et n'utilisez jamais une machine qui semble avoir été modifiée.

Ne jamais utiliser une machine qui n'est pas en parfait état de marche. Suivre dans ce manuel d'utilisation les instructions de maintenance, de contrôle et d'entretien. Certaines mesures de maintenance et d'entretien doivent être confiées à un spécialiste dûment formé et qualifié. Voir au chapitre Entretien.

N'utiliser que les accessoires recommandés dans ce manuel. Voir les chapitres Équipement de coupe et Caractéristiques techniques.

REMARQUE! Utilisez toujours des lunettes de protection ou une visière faciale pour vous protéger d'une éventuelle projection d'objet. Une tronçonneuse peut projeter avec violence des objets, de la sciure et de petits morceaux de bois par exemple. Il peut en résulter des blessures graves, surtout au niveau des yeux.



AVERTISSEMENT! Faire tourner un moteur dans un local fermé ou mal aéré peut causer la mort par asphyxie ou empoisonnement au monoxyde de carbone.



AVERTISSEMENT! Un équipement de coupe inapproprié ou une mauvaise combinaison guide-chaîne/chaîne augmente le risque de rebond ! N'utilisez que les combinaisons chaîne et guide-chaîne recommandées et respectez les instructions d'affûtage. Voir les instructions au chapitre Caractéristiques techniques.

Utilisez toujours votre bon sens (2)

Il est impossible de prévoir toutes les situations que vous pouvez rencontrer lorsque vous utilisez une tronçonneuse. Soyez toujours prudent et utilisez votre bon sens. Évitez les situations que vous n'êtes pas sûr de maîtriser. Si, après avoir lu ces instructions, vous n'êtes toujours pas sûr de la procédure à suivre, demandez conseil à un expert avant de poursuivre. N'hésitez pas à prendre contact avec votre revendeur ou avec nous si vous avez des questions sur l'utilisation de la tronçonneuse. Nous sommes à votre disposition et vous conseillons volontiers pour vous aider à mieux utiliser votre tronçonneuse en toute sécurité. N'hésitez

INSTRUCTIONS GÉNÉRALES DE SÉCURITÉ

pas à suivre une formation sur l'utilisation des tronçonneuses. Votre revendeur, votre établissement de formation forestière et votre bibliothèque peuvent vous renseigner sur le matériel de formation et les cours disponibles. Nous travaillons en permanence à l'amélioration de la conception et de la technique, des améliorations qui augmentent votre sécurité et votre efficacité. Rendez régulièrement visite à votre revendeur pour vous tenir au courant des nouveautés qui peuvent vous être utiles.

Équipement de protection personnelle



AVERTISSEMENT! La plupart des accidents surviennent quand la chaîne de la tronçonneuse touche l'utilisateur. Un équipement de protection personnelle homologué doit impérativement être utilisé lors de tout travail avec la machine. L'équipement de protection personnelle n'élimine pas les risques mais réduit la gravité des blessures en cas d'accident. Demander conseil au concessionnaire afin de choisir un équipement adéquat.

- Casque de protection homologué
- Protecteur d'oreilles
- Lunettes protectrices ou visière
- Gants protecteurs anti-chaîne
- Pantalon avec protection anti-chaîne
- Bottes avec protection anti-chaîne, embout acier et semelle antidérapante
- Une trousse de premiers secours doit toujours être disponible.
- Extincteur et pelle

Porter des vêtements près du corps et ne risquant pas de gêner les mouvements.

IMPORTANT! Des étincelles peuvent être produites par le silencieux, le guide-chaîne ou la chaîne par exemple. Veillez à toujours disposer des outils nécessaires à l'extinction d'un feu. Vous pouvez ainsi éviter des feux de forêt.

Équipement de sécurité de la machine

Cette section traite des équipements de sécurité de la machine et de leur fonction. Pour le contrôle et l'entretien, voir les instructions au chapitre Contrôle, maintenance et entretien des équipements de sécurité de la tronçonneuse. Voir le chapitre Quels sont les composants? pour savoir où se trouvent équipements sur la machine.

La durée de vie de la machine risque d'être écourtée et le risque d'accidents accru si la maintenance de la machine n'est pas effectuée correctement et si les mesures d'entretien et/ou de réparation ne sont pas effectuées de manière professionnelle. Pour obtenir de plus amples

informations, contacter l'atelier de réparation le plus proche.



AVERTISSEMENT! N'utilisez jamais une machine dont les équipements de sécurité sont défectueux. Les équipements de sécurité doivent être contrôlés et entretenus. Voir les instructions au chapitre Contrôle, maintenance et entretien des équipements de sécurité de la tronçonneuse. Si les contrôles ne donnent pas un résultat positif, faites réparer votre machine par un atelier d'entretien.

Frein de chaîne avec arceau protecteur

Votre tronçonneuse est équipée d'un frein de chaîne conçu pour arrêter la chaîne en cas de rebond. Le frein de chaîne réduit le risque d'accidents, mais seul l'utilisateur peut prévenir les accidents.

Observer la plus grande prudence en utilisant la tronçonneuse et s'assurer que la zone de rebond du guide-chaîne ne touche rien.

- Le frein de chaîne (A) est activé soit manuellement (de la main gauche), soit avec la fonction d'inertie. **(3)**
- Pousser l'arceau (B) vers l'avant pour activer le frein de chaîne. **(3)**
- Ce mouvement actionne un mécanisme à ressort qui tend le ruban du frein (C) autour du système d'entraînement de la chaîne (D) (le tambour d'embrayage). **(4)**
- L'arceau protecteur ne déclenche pas seulement le frein de chaîne. Il réduit aussi le risque que la main gauche ne se blesse à la chaîne en cas de perte de la prise sur la poignée avant.
- Le frein de chaîne doit être activé quand la tronçonneuse est démarrée pour empêcher que la chaîne ne se mette à tourner.
- Utilisez le frein de chaîne comme "frein de stationnement" au démarrage et lors de courts déplacements, pour éviter une mise en marche involontaire de la tronçonneuse et les accidents.
- Tirer l'arceau vers l'arrière contre la poignée avant pour désactiver le frein de chaîne.
- Un rebond peut être rapide et très violent. Toutefois la plupart des rebonds sont courts et n'activent pas nécessairement le frein de chaîne. Dans ce cas, tenir fermement la tronçonneuse et ne pas la lâcher.
- Le mode d'activation du frein de chaîne (manuel ou automatique par inertie) dépend de l'ampleur du rebond et de la position de la tronçonneuse par rapport à l'objet rencontré par la zone de danger du guide. Si le rebond est violent et si la zone de danger du guide se trouve loin de l'utilisateur, le frein de chaîne est activé par le contrepoids (inertie) du frein de chaîne dans le sens du rebond. En cas de rebond moins violent ou si, en raison de la situation de travail, la zone de danger du guide est proche de l'utilisateur, le frein de chaîne est activé manuellement par la main gauche.

INSTRUCTIONS GÉNÉRALES DE SÉCURITÉ

- En position d'abattage, la main gauche se trouve dans une position qui rend l'activation manuelle du frein de chaîne impossible. Dans cette position, quand la main gauche ne peut pas agir sur le mouvement de la protection anti-rebond, le frein de chaîne ne peut être activé que par inertie.

Ma main active-t-elle toujours le frein de chaîne en cas de rebond?

Non. Il faut une certaine force pour pousser la protection anti-rebond vers l'avant. Si votre main ne fait qu'effleurer la protection anti-rebond ou glisse dessus, la force peut ne pas suffire pour déclencher le frein de chaîne. Vous devez aussi tenir fermement la poignée de la tronçonneuse quand vous travaillez. Ainsi, vous ne lâchez peut être jamais la poignée avant en cas de rebond et n'activez pas le frein de chaîne, ou n'activez pas le frein de chaîne avant que la tronçonneuse n'ait eu le temps de tourner sur une certaine distance. Dans un tel cas, il se peut que le frein de chaîne n'ait pas le temps d'arrêter la chaîne avant qu'elle ne vous heurte.

Certaines positions de travail empêchent aussi votre main d'atteindre la protection anti-rebond pour activer le frein de chaîne, quand la tronçonneuse est tenue en position d'abattage par exemple.

L'inertie du frein de chaîne est-elle toujours activée en cas de rebond?

Non. Le frein doit fonctionner. Il est facile de tester le frein, voir les instructions au chapitre Contrôle, maintenance et entretien des équipements de sécurité de la tronçonneuse. Nous vous recommandons de le faire avant chaque journée de travail. Le rebond doit aussi être suffisamment violent pour activer le frein de chaîne. Si le frein de chaîne était trop sensible, il serait continuellement activé, ce qui serait gênant.

Le frein de chaîne me protège-t-il toujours des blessures en cas de rebond?

Non. Tout d'abord, votre frein doit fonctionner pour assurer la protection souhaitée. Ensuite, il doit être activé comme décrit ci-dessus pour arrêter la chaîne en cas de rebond. Pour finir, le frein de chaîne peut être activé mais si le guide-chaîne est trop près de vous, le frein peut ne pas avoir le temps de ralentir et arrêter la chaîne avant que la tronçonneuse ne vous heurte.

La seule façon d'éviter les rebonds et le danger qu'ils représentent est de faire attention et d'utiliser une méthode de travail correcte.

Blocage de l'accélération

Le blocage de l'accélération est conçu pour empêcher toute activation involontaire de la commande de l'accélération. Quand le cliquet (A) est enfoncé dans la poignée (= quand l'utilisateur tient la poignée), la commande de l'accélération (B) est libérée. Lorsque la poignée est relâchée, la commande de l'accélération et le blocage de l'accélération reviennent à leurs positions initiales. Cette position signifie que la commande d'accélération est alors automatiquement bloquée sur le ralenti. (5)

Capteur de chaîne

Le capteur de chaîne est construit pour rattraper une chaîne qui a sauté ou s'est brisée. Dans la plupart des cas, ces situations peuvent être évitées par une tension correcte de la chaîne (voir le chapitre Montage) et en entretenant correctement le guide et la chaîne (voir le chapitre Méthodes de travail).

Protection de la main droite

La protection de la main droite protège la main si la chaîne saute ou se casse et empêche les branchettes et brindilles de gêner la prise sur la poignée arrière.

Système anti-vibrations

La machine est équipée d'un système anti-vibrations conçu pour assurer une utilisation aussi confortable que possible.

Le système anti-vibrations réduit la transmission des vibrations de l'unité moteur/l'équipement de coupe à l'unité que constituent les poignées. Le corps de la tronçonneuse, y compris l'équipement de coupe, est suspendu à l'unité poignées par l'intermédiaire de blocs anti-vibrants.

Le sciage de bois durs (la plupart des feuillus) produit davantage de vibrations que celui des bois tendres (la plupart des conifères). Si la chaîne est mal affûtée ou défectueuse (type inadéquat ou affûtage défectueux), le taux de vibrations augmente.



AVERTISSEMENT! Une exposition excessive aux vibrations peut entraîner des troubles circulatoires ou nerveux chez les personnes sujettes à des troubles cardio-vasculaires. Consultez un médecin en cas de symptômes liés à une exposition excessive aux vibrations. De tels symptômes peuvent être: engourdissement, perte de sensibilité, chatouillements, picotements, douleur, faiblesse musculaire, décoloration ou modification épidermique. Ces symptômes affectent généralement les doigts, les mains ou les poignets. Ces symptômes peuvent être accentués par le froid.

Bouton d'arrêt

Le bouton d'arrêt est utilisé pour arrêter le moteur.

Silencieux

Le silencieux est conçu pour réduire le niveau sonore et détourner les gaz d'échappement loin de l'utilisateur.



AVERTISSEMENT! Les gaz d'échappement du moteur sont très chauds et peuvent contenir des étincelles pouvant provoquer un incendie. Par conséquent, ne jamais démarrer la machine dans un local clos ou à proximité de matériaux inflammables!

INSTRUCTIONS GÉNÉRALES DE SÉCURITÉ

Dans les régions chaudes et sèches, les risques d'incendie sont élevés. Ces régions disposent parfois d'une législation spécifique qui exige que le silencieux (entre autres) soit équipé d'une grille antinflamme (A). (6)

REMARQUE! Un silencieux devient très chaud en cours d'utilisation et le reste après l'arrêt. Cela est également vrai pour le régime au ralenti. Soyez très attentif aux risques d'incendie, surtout quand vous manipulez des gaz et/ou des substances inflammables.



AVERTISSEMENT! N'utilisez jamais une tronçonneuse dont le silencieux est absent ou défectueux. Si le silencieux est défectueux, le niveau sonore et le risque d'incendie augmentent considérablement. Veillez à disposer des outils nécessaires à l'extinction d'un feu. N'utilisez jamais une tronçonneuse dont la grille antinflamme est absent ou défectueux si une grille antinflamme est obligatoire dans la zone où vous travaillez.

Équipement de coupe

Cette section explique comment, grâce à l'utilisation du bon équipement de coupe et grâce à un entretien correct:

- Réduire le risque de rebond de la machine.
- Réduit le risque de saut ou de rupture de chaîne.
- Permet des performances de coupe optimales.
- Augmenter la durée de vie de l'équipement de coupe.
- Évite l'augmentation du niveau de vibration.

Règles élémentaires

- **N'utiliser que l'équipement de coupe recommandé!** Voir les instructions au chapitre Caractéristiques techniques.
- **Veiller à ce que les dents de la chaîne soient toujours bien affûtées! Suivre les instructions et utiliser le gabarit d'affûtage recommandé.** Une chaîne émoussée ou endommagée augmente le risque d'accidents.
- **Veillez à travailler avec une épaisseur de copeau correcte! Suivez les instructions et utilisez le gabarit d'épaisseur de copeau recommandé.** Une épaisseur de copeau trop importante augmente le risque de rebond.
- **Veiller à ce que la chaîne soit toujours bien tendue!** Une tension de chaîne insuffisante augmente le risque de rupture de chaîne ainsi que l'usure du guide, de la chaîne et du pignon.
- **Maintenir l'équipement de coupe bien lubrifié et bien entretenu!** Un équipement insuffisamment lubrifié augmente le risque de rupture de chaîne ainsi que l'usure du guide, de la chaîne et du pignon.

Équipement de coupe anti-rebond



AVERTISSEMENT! Un équipement de coupe inapproprié ou une mauvaise combinaison guide-chaîne/chaîne augmente le risque de rebond ! N'utilisez que les combinaisons chaîne et guide-chaîne recommandées et respectez les instructions d'affûtage. Voir les instructions au chapitre Caractéristiques techniques.

La seule manière d'éviter un rebond est de s'assurer que la zone de danger du nez du guide n'entre jamais en contact avec un objet.

L'utilisation d'un équipement de coupe avec fonction anti-rebond "intégrée" et un affûtage et un entretien corrects de la chaîne permettent de réduire les effets de rebond.

Guide-chaîne

Plus le rayon du nez est petit, plus la tendance au rebond est petite.

Chaîne

Une chaîne comporte un certain nombre de maillons, tant en modèle standard qu'en version anti-rebond.

IMPORTANT! Aucune chaîne n'élimine le risque de rebond.



AVERTISSEMENT! Chaque contact avec une chaîne en rotation peut entraîner des blessures graves.

Terminologie concernant le guide-chaîne et la chaîne

Afin de maintenir toutes les fonctions de sécurité sur l'équipement de coupe, vous devez remplacer les combinaisons chaîne/guide-chaîne usées ou abîmées par un guide-chaîne et une chaîne recommandés par Jonsered. Voir le chapitre Caractéristiques techniques pour les combinaisons chaîne/guide-chaîne recommandées.

Guide-chaîne

- Longueur (pouces/cm)
- Nombre de dents par pignon (T).
- Pas de chaîne (=pitch) (pouces). Le pignon du nez et le pignon d'entraînement doivent correspondre à l'espace entre les maillons.
- Nombre de maillons entraîneurs (pce). La longueur du guide, le pas de chaîne et le nombre de dents au pignon donnent un nombre déterminé de maillons entraîneurs.
- Jauge du guide-chaîne (mm/pouces). Celle-ci doit correspondre à la jauge des maillons entraîneurs de la chaîne.
- Trou de graissage de chaîne et trou du tendeur de chaîne. Le guide-chaîne doit correspondre au modèle de tronçonneuse.

Chaîne

- Pas de chaîne (=pitch) (pouces)
- Jauge du maillon entraîneur (mm/pouces)

INSTRUCTIONS GÉNÉRALES DE SÉCURITÉ

- Nombre de maillons entraîneurs (pce)

Affûtage et réglage de l'épaisseur du copeau de la chaîne



AVERTISSEMENT! Toujours porter des gants lors de travail avec la chaîne afin de protéger les mains contre les blessures.

Généralités concernant l'affûtage des dents

- N'utilisez jamais une tronçonneuse dont les dents sont émoussées. Les dents de la chaîne sont considérées comme émoussées quand il faut forcer sur l'équipement de coupe pour qu'il traverse le bois et quand les copeaux sont très petits. Une chaîne très émoussée ne produit pas de copeaux du tout, seulement de la poudre de bois.
- Une chaîne bien affûtée avance tout seule dans le bois, laissant de gros et longs copeaux.
- La partie coupante de la chaîne consiste en un maillon coupant qui comporte une dent (A) et un limiteur d'épaisseur de copeau (B). La distance verticale entre ces éléments détermine la profondeur de coupe. (7)

Quatre dimensions doivent être prises en compte lors de l'affûtage d'une dent.

- 1 Angle d'affûtage
- 2 Angle d'impact
- 3 Position de la lime
- 4 Diamètre de la lime ronde

Il est très difficile d'affûter correctement une chaîne de tronçonneuse sans outils spéciaux. Nous recommandons donc d'utiliser notre gabarit d'affûtage qui assure un affûtage permettant une réduction du risque de rebond et des performances de coupe optimales.

Vous trouverez les informations nécessaires pour l'affûtage de la chaîne de votre tronçonneuse au chapitre Caractéristiques techniques.



AVERTISSEMENT! La tendance au rebond augmente considérablement si les instructions d'affûtage ne sont pas respectées.

Affûtage de la dent

Pour affûter une dent, une lime ronde et un gabarit d'affûtage sont nécessaires. Vous trouverez des informations sur le diamètre de lime ronde et le gabarit d'affûtage recommandés pour la chaîne de votre tronçonneuse au chapitre Caractéristiques techniques.

- S'assurer que la chaîne est tendue. Une tension insuffisante rend la chaîne instable latéralement, gênant ainsi l'affûtage de la chaîne.
- Toujours limer de l'intérieur de la dent vers l'extérieur. Soulagier la lime sur le mouvement de retour. Commencer par limer toutes les dents du même côté, retourner la tronçonneuse et limer de l'autre côté.
- Limer de manière à amener toutes les dents à la même hauteur. Si la hauteur de dent est inférieure à

4 mm (0,16"), la chaîne est usée et doit être remplacée. (8)

Généralités sur le réglage de l'épaisseur du copeau

- Quand la dent est affûtée, l'épaisseur du copeau (=profondeur de coupe) diminue. Pour conserver une capacité de coupe maximale, le limiteur d'épaisseur du copeau doit être abaissé au niveau recommandé. Voir trouverez l'épaisseur de copeau recommandé pour la chaîne de votre tronçonneuse au chapitre Caractéristiques techniques.



AVERTISSEMENT! Une épaisseur de copeau excessive augmente la tendance au rebond de la chaîne!

Réglage de l'épaisseur du copeau

- Le réglage de l'épaisseur du copeau doit être effectué sur des dents nouvellement affûtées. Nous recommandons de régler l'épaisseur du copeau tous les trois affûtages de chaîne. REMARQUE! Cette recommandation suppose que les dents n'ont pas été anormalement réduites lors de l'affûtage.
- Pour le réglage de l'épaisseur du copeau, une lime plate et un gabarit d'épaisseur sont nécessaires. Nous vous recommandons d'utiliser notre gabarit d'affûtage pour l'épaisseur afin d'obtenir l'épaisseur souhaitée et le bon angle pour le limiteur d'épaisseur du copeau.
- Mettez le gabarit d'affûtage sur la chaîne. Vous trouverez des informations sur l'utilisation du gabarit d'affûtage sur l'emballage. Utilisez une lime plate pour retirer l'excès sur la partie qui dépasse du limiteur d'épaisseur du copeau. L'épaisseur est correcte quand vous pouvez passer la lime sur le gabarit sans ressentir de résistance.

Tension de la chaîne



AVERTISSEMENT! Une tension insuffisante de la chaîne augmente le risque que la chaîne saute et donc de blessures graves, voire mortelles.



AVERTISSEMENT! Toujours porter des gants de protection homologués. Même une chaîne immobile peut blesser gravement la personne qui la heurte.

Plus on utilise une chaîne, plus elle s'allonge. L'équipement de coupe doit être réglé après une telle altération.

La tension de la chaîne doit être contrôlée après chaque plein d'essence. REMARQUE! Une nouvelle chaîne exige une période de rodage durant laquelle il faudra vérifier la tension plus souvent.

En règle générale, il faut tendre la chaîne au maximum, mais pas au point de ne plus pouvoir la faire tourner manuellement. (9)

- Dévisser les écrous du guide-chaîne fixant le carter d'embrayage/frein de chaîne. Utiliser une clé universelle. Resserrer ensuite les écrous du guide-chaîne à fond manuellement. (10)

INSTRUCTIONS GÉNÉRALES DE SÉCURITÉ

- Soulever le nez du guide et tendre la chaîne en serrant la vis du tendeur de chaîne avec la clé universelle. Tendre la chaîne jusqu'à ce qu'elle ne soit plus molle sous le guide. (11)
- Avec la clé universelle, serrer les écrous du guide-chaîne tout en tenant levé le nez du guide. S'assurer que la chaîne peut tourner manuellement et ne pend pas sous le guide. (12)

Lubrification de l'équipement de coupe



AVERTISSEMENT! Une lubrification insuffisante de l'équipement de coupe augmente le risque de rupture de chaîne et donc de blessures graves, voire mortelles.

Huile de chaîne de tronçonneuse

L'huile de chaîne doit bien adhérer à la chaîne et posséder d'excellentes qualités de fluidité par tous les temps, aussi bien en été qu'en hiver.

En tant que fabricant de tronçonneuses nous avons mis au point une huile de chaîne hautement performante et qui, grâce à sa base végétale, est de plus biodégradable. Nous recommandons l'utilisation de cette huile pour une durée de vie maximale de la chaîne et pour la protection de l'environnement. Si notre huile de chaîne n'est pas disponible, nous recommandons l'utilisation d'une huile de chaîne ordinaire.

Ne jamais utiliser de l'huile usagée! Cela représente un danger pour vous, pour la machine et pour l'environnement.

IMPORTANT! Si de l'huile de chaîne végétale est utilisée, démontez et nettoyez la gorge du guide-chaîne et la chaîne avant de les remiser pour une période prolongée. Si vous ne le faites pas, l'huile de chaîne risque de s'oxyder et la chaîne pourrait se raidir et le pignon du nez gripper.

Remplissage d'huile de chaîne

- Toutes nos tronçonneuses sont dotées d'un dispositif de lubrification automatique de la chaîne. Certains modèles ont également un débit réglable.
- Le réservoir d'huile de chaîne et le réservoir de carburant sont dimensionnés pour que le carburant prenne fin avant l'huile de chaîne.

Cette fonction de sécurité suppose l'utilisation d'une huile de chaîne appropriée (une huile trop fluide viderait le réservoir d'huile avant l'essence), un réglage correct du carburateur (un réglage trop pauvre empêcherait le carburant de s'épuiser avant l'huile) et un équipement de coupe bien choisi (un guide-chaîne long demande davantage d'huile de chaîne).

Contrôle de la lubrification de la chaîne

- Vérifier la lubrification à chaque plein d'essence. Voir les instructions au chapitre Lubrification du pignon de nez du guide-chaîne.

Diriger le nez du guide sur un objet fixe clair à une distance de 20 cm (8 pouces). Après 1 minute de marche à 3/4 de régime, l'objet clair doit nettement présenter un film d'huile en forme de ruban.

En cas de mauvais fonctionnement de la lubrification de la chaîne:

- Vérifier que le canal de graissage du guide-chaîne est bien ouvert. Le nettoyer au besoin.
- S'assurer que la gorge du guide est propre. La nettoyer au besoin.
- Vérifier que le pignon du nez tourne librement et que l'orifice de graissage est propre. Nettoyer et graisser au besoin.

Si, après les contrôles et mesures ci-dessus, la lubrification de la chaîne n'est toujours pas satisfaisante, s'adresser obligatoirement à un atelier spécialisé.

Pignon d'entraînement

Le tambour d'embrayage est équipé d'une roue d'entraînement Spur (roue d'entraînement à chaîne soudée sur le tambour).

Vérifier régulièrement le degré d'usure du pignon. Le remplacer en cas d'usure excessive. Le pignon doit être remplacé en même temps que la chaîne.

Contrôle de l'usure de l'équipement de coupe

Vérifier quotidiennement l'état de la chaîne et s'assurer:

- Que les rivets et les maillons ne comportent pas de fissures.
- Que la chaîne n'est pas raide.
- Que les rivets et les maillons ne sont pas anormalement usés.

Jetez la chaîne si un des points ci-dessus est vérifié.

Il est recommandé de comparer avec une chaîne neuve pour évaluer le degré d'usure.

Si la hauteur de dent est inférieure à 4 mm, la chaîne est usée et doit être remplacée.

Guide-chaîne

Vérifier régulièrement:

- Qu'il n'y a pas de bavures sur les côtés extérieurs de la gorge. Les limer au besoin. (13A)
- Que la gorge du guide n'est pas anormalement usée. Remplacer le guide si nécessaire. (13B)
- Que le nez n'est pas anormalement ou irrégulièrement usé. Si un creux s'est formé à l'extrémité du rayon du nez (bord inférieur), la chaîne n'est pas suffisamment tendue.

- Retourner le guide quotidiennement pour assurer une durée de vie optimale.



AVERTISSEMENT! La plupart des accidents surviennent quand la chaîne de la tronçonneuse touche l'utilisateur.

Utiliser les équipements de protection personnelle. Voir au chapitre Équipement de protection personnelle.

L'utilisateur se doit d'éviter tous les travaux pour lesquels il se sent mal préparé. Voir aux chapitres Équipement de protection personnelle, Mesures anti-rebond, Équipement de coupe et Méthodes de travail.

Éviter les situations susceptibles de provoquer des rebonds. Voir le chapitre Équipement de sécurité de la machine.

Utiliser les équipements de coupe recommandés et en vérifier le bon état. Voir le chapitre Méthodes de travail.

Vérifier le bon fonctionnement des équipements de sécurité de la tronçonneuse. Voir aux chapitres Méthodes de travail et Instructions générales de sécurité.

Montage du guide-chaîne et de la chaîne



AVERTISSEMENT! Tout contrôle et/ou entretien doit être effectué avec le moteur à l'arrêt. L'interrupteur d'arrêt se remet automatiquement en position de démarrage. Toujours retirer le chapeau de bougie de la bougie lors du montage, contrôle et/ou entretien, afin d'éviter tout démarrage accidentel.

Toujours porter des gants lors de travail avec la chaîne afin de protéger les mains contre les blessures.

S'assurer que le frein de chaîne ne s'est pas déclenché en amenant l'arceau protecteur contre l'étrier de la poignée avant.

Déposer les écrous du guide-chaîne et le carter d'embrayage (frein de chaîne). Déposer la protection de transport. (A) (15)

Positionner le guide-chaîne sur les écrous et l'amener à sa position la plus reculée. Placer la chaîne sur le pignon d'entraînement et dans la gorge du guide-chaîne. Commencer par le dessus du guide. (17)

S'assurer que la face tranchante des dents est vers l'avant sur le dessus du guide.

Montez le carter d'embrayage (frein de chaîne) et placez le goujon de tension de la chaîne dans l'ouverture du guide. Vérifiez que les maillons d'entraînement de la chaîne s'engagent dans le pignon et que la chaîne est correctement placée dans la gorge du guide. Serrez les écrous du guide à la main. (17)

Tendre la chaîne en tournant la vis du tendeur de chaîne vers la droite à l'aide de la clé universelle. Tendre la chaîne jusqu'à ce qu'elle ne pende plus sous le guide. Voir les instructions à la section Tension de la chaîne. (18)

La chaîne est tendue correctement quand elle ne pende plus sous le guide et peut être avancée à la main sans difficulté. Serrer les écrous du guide à l'aide de la clé universelle tout en maintenant levé le pignon du guide. (19)

La tension d'une chaîne neuve doit être vérifiée fréquemment pendant son rodage. Vérifier régulièrement la tension. Une tension correcte est synonyme de bonne capacité de coupe et de longue durée de vie. (19)

Montage du patin d'ébranchage

Pour monter le patin d'ébranchage, contacter un atelier d'entretien.

Carburant

Remarque! La machine est équipée d'un moteur deux temps et doit toujours être alimentée avec un mélange d'essence et d'huile deux temps. Afin d'assurer un rapport de mélange correct, il est important de mesurer avec précision la quantité d'huile à mélanger. Pour le mélange de petites quantités de carburant, même de petites erreurs au niveau de la quantité d'huile affectent sérieusement le rapport du mélange.



AVERTISSEMENT! Veiller à une bonne aération pendant toute manipulation de carburant.

Essence

- Utiliser une essence de qualité, avec ou sans plomb.
- L'indice d'octane le plus bas recommandé est de 90 (RON). Si le moteur utilise une essence d'un indice d'octane inférieur à 90, des cognements risquent de se produire. Ceci résulte en une augmentation de la température du moteur et une charge élevée au niveau des paliers pouvant causer de graves avaries moteur.
- Pour les travaux utilisant un régime élevé continu (l'élagage, par ex.), il est recommandé d'utiliser un taux d'octane supérieur.

Rodage

La conduite à un régime trop élevé pendant de longues périodes doit être évitée pendant les 10 premières heures.

Huile deux temps

- Pour obtenir un fonctionnement et des résultats optimaux, utiliser une huile moteur deux temps JONSERED fabriquée spécialement pour nos moteurs deux temps à refroidissement à air.
- Ne jamais utiliser d'huile deux temps pour moteurs hors-bord refroidis par eau, appelée huile outboard (désignation TCW).
- Ne jamais utiliser d'huile pour moteurs à quatre temps.
- Une huile de qualité médiocre ou un mélange huile/carburant trop riche risquent de mettre en péril le fonctionnement du pot catalytique et d'en réduire la durée de vie.

Rapport de mélange

1:50 (2%) avec huile deux temps JONSERED.

1:33 (3%) avec d'autres huiles conçues pour des moteurs deux temps à refroidissement par air classés pour JASO FB/ISO EGB.

Essence, litres	Huile deux temps, litres	
	2% (1:50)	3% (1:33)
5	0,10	0,15
10	0,20	0,30
15	0,30	0,45
20	0,40	0,60

Mélange

- Mélangez toujours l'essence et l'huile dans un récipient propre approuvé pour l'essence.
- Toujours commencer par verser la moitié de l'essence à mélanger. Verser ensuite la totalité de

l'huile. Mélanger en secouant le récipient. Enfin, verser le reste de l'essence.

- Mélanger (secouer) soigneusement le mélange avant de faire le plein du réservoir de la machine.
- Ne jamais préparer plus d'un mois de consommation de carburant à l'avance.
- Si la machine n'est pas utilisée pendant une longue période, vidanger et nettoyer le réservoir.

Huile pour chaîne

- Il est recommandé d'utiliser une huile spéciale (huile pour chaîne) possédant de bonnes qualités d'adhérence pour la lubrification.
- Ne jamais utiliser d'huile usagée. Ceci endommagerait la pompe à huile, le guide-chaîne et la chaîne.
- Il est important d'utiliser une huile adaptée à la température de l'air (viscosité appropriée).
- Les températures inférieures à 0°C rendent certaines huiles visqueuses. Ceci peut causer une surcharge de la pompe à huile, endommageant les pièces de la pompe.
- Contacter l'atelier spécialisé pour obtenir des conseils sur le choix d'une huile de chaîne adéquate.

Remplissage de carburant



AVERTISSEMENT! Les mesures de sécurité ci-dessous réduisent le risque d'incendie:

Ne fumez jamais ni ne placez d'objet chaud à proximité du carburant.

Arrêter le moteur et le laisser refroidir pendant quelques minutes avant de faire le plein.

Ouvrir le bouchon du réservoir lentement pour laisser baisser la surpression pouvant régner dans le réservoir.

Serrer soigneusement le bouchon du réservoir après le remplissage.

Toujours éloigner la machine de l'endroit où le plein a été fait avant de la mettre en marche.

Essuyer le pourtour des bouchons des réservoirs. Nettoyer régulièrement les réservoirs de carburant et d'huile pour chaîne. Remplacer le filtre à carburant au moins une fois par an. Des impuretés dans les réservoirs sont causes de mauvais fonctionnement. Veiller à obtenir un mélange homogène en secouant le récipient avant de remplir le réservoir. Les contenances des réservoirs de carburant et d'huile pour chaîne sont adaptées l'une à l'autre. Toujours faire le plein des réservoirs de carburant et d'huile à la même occasion.



AVERTISSEMENT! Le carburant et les vapeurs de carburant sont extrêmement inflammables. Observer la plus grande prudence en manipulant le carburant et l'huile de chaîne. Penser au risque d'explosion, d'incendie ou d'empoisonnement.

Sécurité carburant

- Ne jamais effectuer le remplissage de la machine lorsque le moteur tourne.
 - Veiller à une bonne aération lors du remplissage et du mélange de carburant (essence et huile 2 temps).
 - Avant de mettre la machine en marche, la déplacer à au moins 3 mètres de l'endroit où a été fait le plein.
 - Ne jamais démarrer la machine:
- 1 Si du carburant ou de l'huile de chaîne ont été répandus sur la machine. Essuyer soigneusement toute trace et laisser les restes d'essence s'évaporer.
 - 2 Si vous avez renversé du carburant sur vous ou sur vos vêtements, changez de vêtements. Lavez les parties du corps qui ont été en contact avec le carburant. Utilisez de l'eau et du savon.
 - 3 S'il y a fuite de carburant. Vérifier régulièrement que le bouchon du réservoir et la conduite de carburant ne fuient pas.



AVERTISSEMENT! N'utilisez jamais une machine présentant des dommages visibles sur la protection de bougie et sur le câble d'allumage. Des étincelles pourraient être générées et provoquer un incendie.

Transport et rangement

- Remiser la tronçonneuse et le carburant de sorte que ni fuites ni émanations ne puissent entrer en contact avec une étincelle ou flamme. Par exemple machines électriques, moteurs électriques, contacteurs ou interrupteurs électriques, chaudières, etc.
- Lors du remisage du carburant, n'utiliser que des récipients spécialement destinés à contenir du carburant.
- En cas de longues périodes de remisage ou de transport de la tronçonneuse, les réservoirs de carburant et d'huile devront être vidés. Pour se débarrasser du surplus, s'adresser à la station-service la plus proche.
- Avant de remiser la machine pour une période prolongée, veiller à ce qu'elle soit bien nettoyée et que toutes les mesures d'entretien aient été effectuées.
- La protection pour le transport doit toujours être montée sur l'équipement de coupe au cours du transport et du remisage de la machine, pour éviter tout contact involontaire avec la chaîne acérée. Même une chaîne immobile peut blesser gravement la personne qui la heurte.
- Sécurisez la machine pendant le transport.

Remisage prolongé

Videz les réservoirs de carburant et d'huile dans un endroit bien aéré. Conservez le carburant dans des bidons approuvés dans un endroit sûr. Montez la protection du guide-chaîne. Nettoyez la machine. Voir les instructions au chapitre Schéma d'entretien.

Démarrage et arrêt



AVERTISSEMENT! Contrôler les points suivants avant la mise en marche:

Le frein de chaîne doit être activé lors du démarrage de la tronçonneuse afin de réduire le risque de contact avec la chaîne en rotation.

Ne pas démarrer la tronçonneuse si le guide, la chaîne et tous les capots ne sont pas montés. Sinon, l'embrayage risque de se détacher et de causer des blessures personnelles.

Placer la machine sur un support stable. Veiller à adopter une position stable et à ce que la chaîne ne puisse pas entrer en contact avec quoi que ce soit.

Veiller à ce qu'aucune personne non autorisée ne se trouve dans la zone la travail.

Moteur froid

Démarrage: Le frein de chaîne doit être activé quand la tronçonneuse est démarrée. Activer le frein en poussant la protection anti-rebond vers l'avant. **(20)**

1. Pompe à carburant: Appuyer sur la poche en caoutchouc de la pompe à carburant plusieurs fois jusqu'à ce que le carburant commence à remplir la poche. Il n'est pas nécessaire de remplir la poche complètement. **(23)**

2. Starter: Tirez au maximum sur la commande du starter / gaz de démarrage bleue (jusqu'à la position **FULL CHOKE**). Une fois la commande du starter complètement sortie, le ralenti accéléré est réglé automatiquement sur la puissance correcte. **(21)**

Ralenti accéléré: Un ralenti accéléré combiné au starter est obtenu quand la commande est en position de starter. **(22)**

Démarrage

Saisissez la poignée avant de la main gauche. Maintenez la tronçonneuse au sol en plaçant votre pied droit dans la poignée arrière.

3. Saisissez la poignée du lanceur de la main droite, tirez la corde du lanceur lentement jusqu'à sentir une résistance (les cliquets se mettent en prise). Tirez ensuite rapidement et fermement jusqu'au démarrage du moteur. **Ne jamais enrouler la corde du lanceur autour de la main. (25)**

REMARQUE! Ne pas sortir complètement la corde du lanceur et ne pas lâcher la poignée avec la corde du lanceur complètement sortie. Cela pourrait endommager la machine.

4. Enfoncez la commande du starter au réglage « 1/2 starter » dès que le moteur s'allume. Il émet alors un son de « soufflement ». **(21)**

5. Continuez de tirer le lanceur avec force jusqu'à ce que le moteur démarre. **(26)** Laissez le moteur chauffer

pendant trente secondes, puis appuyez sur la gâchette d'accélération pour régler un ralenti normal.

Le frein de chaîne étant encore activé, le régime du moteur doit être mis sur le ralenti le plus vite possible en appuyant une fois sur la commande du starter. De cette façon, vous évitez une usure inutile du couplage, du tambour d'embrayage et de la bande de frein.

Remarque! Réinitialiser le frein de chaîne en poussant la protection anti-rebond (marqué "PULL BACK TO RESET") contre l'étrier de la poignée. La tronçonneuse est maintenant prête à être utilisée. **(27)**

Moteur chaud

Procédez comme pour le moteur froid mais sans amener la commande du starter sur la position de starter. On obtient l'accélération de démarrage en tirant la commande du starter bleue en position de starter et en la repoussant sur sa position initiale. **(24)**



AVERTISSEMENT! Une inhalation prolongée des gaz d'échappement du moteur, du brouillard d'huile de chaîne et de la poussière de copeaux peut constituer un danger pour la santé.

- Ne jamais démarrer la tronçonneuse si le guide, la chaîne et tous les capots ne sont pas correctement montés. Voir les instructions au chapitre Montage. Si le guide et la chaîne ne sont pas montés sur la tronçonneuse, l'accouplement peut se détacher et causer des dommages graves. **(28)**
- Le frein de chaîne doit être activé quand la tronçonneuse est démarrée. Voir les instructions au chapitre Démarrage et arrêt. Ne démarrez jamais la tronçonneuse en l'air. Cette méthode est très dangereuse car il est facile de perdre le contrôle de la tronçonneuse. **(29)**
- Ne jamais mettre la machine en marche à l'intérieur. Les gaz d'échappement du moteur sont nocifs.
- S'assurer que la zone de travail est bien dégagée et qu'aucune personne et aucun animal ne risquent d'entrer en contact avec l'équipement de coupe.
- Tenez toujours la tronçonneuse à deux mains. Tenez la main droite sur la poignée arrière et la main gauche sur la poignée avant. **Tous les utilisateurs, droitiers et gauchers, doivent la tenir ainsi.** Tenez fermement en entourant la poignée de la tronçonneuse avec les pouces et les autres doigts. **(30)**

Arrêt

Le moteur s'arrête lorsque l'on appuie sur le bouton d'arrêt. **(31)**

Avant chaque utilisation: (32)

- 1 Contrôler que le frein de chaîne fonctionne correctement et n'est pas endommagé.
- 2 Contrôler que la protection arrière de la main droite n'est pas endommagée.
- 3 Contrôler que le blocage de l'accélération fonctionne correctement et n'est pas endommagé.
- 4 Contrôler que l'interrupteur d'arrêt fonctionne correctement et est en bon état.
- 5 Contrôler que toutes les poignées ne comportent pas d'huile.
- 6 Contrôler que le système anti-vibrations fonctionne correctement et n'est pas endommagé.
- 7 Contrôler que le silencieux est bien attaché et qu'il n'est pas endommagé.
- 8 Contrôler que tous les éléments de la tronçonneuse sont serrés et qu'ils ne sont ni endommagés ni absents.
- 9 Contrôler que le capteur de chaîne est bien en place et qu'il n'est pas endommagé.
- 10 Contrôler la tension de la chaîne.

Méthodes de travail

IMPORTANT!

Ce chapitre traite des mesures élémentaires de sécurité à respecter en travaillant avec la tronçonneuse. Cependant, aucune information ne peut remplacer l'expérience et le savoir-faire d'un professionnel. En cas de doute ou de difficulté quant à l'utilisation de la machine, consulter un spécialiste. Demander conseil au point de vente de la tronçonneuse, à l'atelier d'entretien ou à un utilisateur expérimenté. L'utilisateur doit éviter d'utiliser la machine s'il ne se sent pas suffisamment qualifié pour le travail à effectuer!

Avant d'utiliser la tronçonneuse, il convient de comprendre le phénomène de rebond et de savoir comment l'éviter. Voir au chapitre Mesures anti-rebond.

Avant d'utiliser la tronçonneuse, il faut connaître les différences entre les deux méthodes de sciage: sciage avec la partie supérieure ou sciage avec la partie inférieure de la chaîne. Voir les instructions aux chapitres Mesures anti-rebond et Équipement de sécurité de la machine.

Utiliser les équipements de protection personnelle. Voir au chapitre Équipement de protection personnelle.

Règles élémentaires de sécurité

- 1 Bien observer la zone de travail:
- S'assurer qu'aucune personne, aucun animal ou aucun autre facteur ne risque de gêner l'utilisateur de la machine.
- S'assurer que les susnommés ne risquent pas d'entrer en contact avec la chaîne de la tronçonneuse ou d'être blessés par la chute de l'arbre coupé.

REMARQUE! Observer les règles ci-dessus mais ne jamais utiliser une tronçonneuse sans s'assurer la possibilité de pouvoir appeler à l'aide en cas d'accident.

- 2 Ne pas travailler par mauvais temps: brouillard épais, pluie diluvienne, vent violent, grand froid, etc.
Travailler par mauvais temps est cause de fatigue et

peut même être dangereux: sol glissant, direction de chute d'arbre modifiée, etc.

- 3 Observer la plus grande prudence en élaguant les petites branches et éviter de scier un bosquet (ou plusieurs branchettes en même temps). Les branchettes peuvent se coincer dans la chaîne, être projetées vers l'utilisateur et causer des blessures personnelles graves.
- 4 S'assurer de pouvoir se tenir et se déplacer en toute sécurité. Repérer les éventuels obstacles en cas de déplacement imprévu: souches, pierres, branchages, fondrières, etc. Observer la plus grande prudence lors de travail sur des terrains en pente.
- 5 Observer la plus grande prudence lors de l'abattage des arbres sous tension. Avant et après le sciage, les arbres sous tension risquent de brutalement retrouver leur position initiale. Un mauvais placement de l'utilisateur ou de l'entaille d'abattage peut entraîner un choc avec l'arbre pouvant résulter en une chute ou en une perte du contrôle de la machine. Ces deux cas de figure sont susceptibles de provoquer des blessures graves.
- 6 Pour se déplacer, bloquer la chaîne avec le frein de chaîne et couper le moteur. Porter la tronçonneuse avec le guide et la chaîne tournés vers l'arrière. Pour un transport prolongé, utiliser le fourreau du guide-chaîne.
- 7 Quand vous posez la tronçonneuse par terre, bloquez la chaîne avec le frein de chaîne et veillez à toujours voir la machine. Coupez toujours le moteur en cas de "stationnement" prolongé.



AVERTISSEMENT! Des copeaux se coincent parfois dans le carter de l'embrayage, ce qui bloque la chaîne. Arrêtez toujours le moteur avant le nettoyage.

Règles élémentaires

- 1 En comprenant en quoi consiste et comment se produit un rebond, il est possible de limiter et même d'éliminer l'effet de surprise qui augmente le risque d'accident. La plupart des rebonds sont courts, mais certains peuvent être extrêmement rapides et violents.
- 2 Toujours tenir la tronçonneuse fermement des deux mains, la main droite sur la poignée arrière, la gauche sur la poignée avant. Tenir les poignées solidement avec les doigts et le pouce. Toujours tenir la tronçonneuse dans cette position, que l'on soit droitier ou gaucher. Une prise solide aide à maîtriser les rebonds et à mieux contrôler la tronçonneuse. **Ne pas lâcher les poignées!**
- 3 La plupart des accidents dus à un rebond se produisent lors de l'élagage. Se tenir fermement sur les jambes et s'assurer que la zone de travail est bien dégagée pour ne pas risquer de trébucher ou de perdre l'équilibre.

Par manque d'attention, la zone de rebond du nez du guide peut buter sur une souche, un rondin, une branche ou un arbre voisin et occasionner un rebond.

Gardez le contrôle de la pièce de travail. Si les pièces que vous sciez sont petites et légères, elles peuvent se coincer dans la chaîne et être projetées sur vous. Même si cela n'est pas dangereux en soi, vous pouvez être surpris et perdre le contrôle de la

tronçonneuse. Ne sciez jamais des branches ou des billes empilées sans les séparer. Sciez seulement une bille ou un morceau à la fois. Retirez les morceaux sciés pour que votre zone de travail reste sûre.

- 4 **Ne jamais se servir de la tronçonneuse à un niveau trop élevé, plus haut que les épaules, et éviter de couper avec la pointe du guide-chaîne. Ne jamais tenir la tronçonneuse d'une seule main! (33)**
- 5 Afin de conserver le contrôle de la tronçonneuse, toujours conserver une position stable. Ne jamais travailler sur une échelle, dans un arbre ou sur tout autre support ne garantissant pas une bonne sécurité. **(34)**
- 6 Toujours travailler à la vitesse maximale, c'est à dire à plein régime.
- 7 Observer la plus grande prudence en utilisant le tranchant supérieur du guide-chaîne, c'est à dire en sciant la pièce par en dessous (de bas en haut). Ceci s'appelle travailler en poussée. La force réactionnelle de la chaîne pousse la tronçonneuse vers l'utilisateur. Si la chaîne se coince, la tronçonneuse peut être rejetée contre vous.
- 8 Il importe de résister à la poussée en arrière du guide-chaîne. En effet, si le guide-chaîne est repoussé suffisamment en arrière pour que la zone de rebond du nez se trouve en contact avec l'arbre, un rebond peut se produire. **(35)**

Le tronçonnage avec la partie inférieure de la chaîne, c'est à dire par dessus (de haut en bas), s'appelle méthode "poussée". La tronçonneuse est attirée vers l'arbre et le bord avant de la tronçonneuse devient un appui naturel contre l'arbre. Dans ce cas, l'utilisateur contrôle mieux à la fois sa tronçonneuse et la zone de rebond du nez.

- 9 Suivre les instructions du fabricant relatives à l'affûtage et à l'entretien. Lors du remplacement du guide et de la chaîne, n'utiliser que les combinaisons chaîne et guide-chaîne recommandées. Voir aux chapitres Équipement de coupe et Caractéristiques techniques.

Technique de base pour la coupe



AVERTISSEMENT! N'utilisez jamais une tronçonneuse en la tenant d'une seule main. Il n'est pas possible de contrôler correctement une tronçonneuse d'une seule main. Tenez toujours fermement les poignées des deux mains.

Généralités

- Toujours travailler à plein régime!
- Mettre le moteur au ralenti après chaque coupe (la maintenance du régime maximal hors charge, c'est à dire sans que le moteur ait à supporter le travail de la chaîne, risque d'endommager gravement le moteur).
- Scier de haut en bas = méthode "tirée"
- Scier de bas en haut = méthode "poussée".

Scier en utilisant la méthode "poussée" implique un risque accru de rebond. Voir au chapitre Mesures anti-rebond.

Terminologie

Sciage = consiste à scier le tronc de part en part.

Élagage = consiste à ébrancher un arbre abattu.

Fendage = consiste à casser la pièce avant que l'entaille ne soit terminée.

Avant toute opération de sciage, observer les cinq facteurs suivants:

- 1 Ne pas coincer l'outil de coupe dans l'entaille.
- 2 Ne pas casser la pièce en cours de sciage.
- 3 La chaîne ne doit rencontrer ni le sol ni tout autre obstacle pendant ou après le sciage.
- 4 Y a-t-il risque de rebond?
- 5 L'aspect du site et du terrain peut-il gêner la sécurité de la position de travail et des déplacements?

Si la chaîne se coince ou si la pièce à scier se casse, cela dépend de deux raisons: le support de la pièce avant et après le sciage et l'état de tension de la pièce.

Il est en général possible d'éviter les inconvénients indiqués ci-dessus en effectuant le sciage en deux temps, soit de haut en bas, soit de bas en haut. Il s'agit alors de neutraliser la tendance naturelle de la pièce à coincer la chaîne ou à se fendre.

IMPORTANT! Si la chaîne se coince dans l'entaille, couper immédiatement le moteur! Ne pas tirer sur la tronçonneuse pour la dégager afin de ne pas se blesser à la chaîne au moment où la tronçonneuse se décroince subitement. Utiliser un bras de levier pour décroincer la tronçonneuse.

La liste suivante indique comment se tirer des situations les plus couramment rencontrées par les utilisateurs de tronçonneuses.

Élagage

Lors de l'élagage de branches épaisses, procéder comme pour le sciage ordinaire.

Couper les branches gênantes par étapes, une par une.

Sciage



AVERTISSEMENT! N'essayez jamais de scier des billes empilées ou serrées les unes contre les autres. Vous augmenteriez considérablement le risque de rebond et de blessures graves et même mortelles.

Si vous avez une pile de billes, chaque bille à scier doit être retirée du tas, placée sur un chevalet ou un autre support approprié et être sciée séparément.

Retirez les morceaux sciés de la zone de travail. Si vous les laissez dans la zone de travail, vous augmentez le risque de rebond accidentel et le risque de perdre l'équilibre quand vous travaillez.

Le tronc est couché à même le sol. Il n'y a aucun risque de coincement de la chaîne ou de fendage de la pièce à scier. Par contre, il existe un risque important que la chaîne rencontre le sol après le sciage.

Couper le tronc de haut en bas. Faire attention à la fin de l'entaille pour éviter que la chaîne ne rencontre le sol.

Maintenir le plein régime et se préparer à toute éventualité. **(36)**

Si cela est possible (= s'il est possible de retourner le tronc), interrompre de préférence l'entaille aux 2/3 du tronc.

Retourner le tronc de manière à pouvoir couper le 1/3 restant de haut en bas.

Une extrémité du tronc repose sur un support.

Risque important de fendage.

Commencer par couper le tronc par en bas (environ 1/3 du diamètre).

Finir la coupe par en haut, de manière que les deux traits de coupe se rencontrent.

Les deux extrémités du tronc reposent sur des supports.

Risque important de coincement de la chaîne.

Commencer par couper le tronc par le haut (environ 1/3 du diamètre).

Finir la coupe par en dessous, de manière que les traits de coupe se rencontrent.

Techniques d'abattage

IMPORTANT! L'abattage d'un arbre demande beaucoup d'expérience. Un utilisateur non expérimenté ne doit pas effectuer d'abattages. L'utilisateur se doit d'éviter toute utilisation qu'il ne maîtrise par suffisamment!

Distance de sécurité

La distance de sécurité à respecter entre un arbre à abattre et le lieu de travail doit être d'au moins 2 1/2 fois la hauteur de l'arbre. Veiller à ce que personne ne se trouve dans la "zone dangereuse" avant et pendant l'abattage. **(37)**

Sens d'abattage

Le but consiste à placer l'arbre abattu de façon à ce que l'ébranchage et le tronçonnage ultérieurs du tronc puissent être effectués sur un terrain aussi favorable que possible. Chercher à sécuriser au maximum la position de travail.

Après avoir décidé du sens d'abattage de l'arbre, déterminer dans quel sens l'arbre aura tendance à s'abattre naturellement.

Les facteurs déterminants sont:

- L'inclinaison
- La courbure
- La direction du vent
- La densité des branches
- Le poids éventuel de la neige
- Obstacles autour de l'arbre: d'autres arbres, des lignes électriques, des routes et des bâtiments par exemples.
- Observez si l'arbre est abîmé ou pourri, car il risque alors de se rompre et de commencer à tomber plus tôt que prévu.

Cette estimation peut amener à juger plus prudent de laisser l'arbre tomber dans son sens naturel de chute, soit que le sens d'abattage décidé auparavant soit impossible à obtenir, soit qu'il constitue un danger.

Un autre facteur important (qui n'a aucune incidence sur le sens d'abattage mais concerne la sécurité), est la

présence éventuelle de branches mortes ou abîmées qui, en se détachant, risquent de provoquer des blessures.

Il convient avant tout d'éviter que l'arbre abattu ne s'accroche à un autre arbre. Décrocher un arbre coincé dans un autre peut s'avérer très dangereux et présente un grand risque d'accident. Voir les instructions au chapitre Solution à un abattage raté.

IMPORTANT! Lors de délicates opérations d'abattage, les protecteurs d'oreilles devront être retirés dès la fin du tronçonnage afin que tout bruit ou signal d'avertissement puisse être entendu.

Émondage des branches basses et voie de retraite

Ébranchez le tronc jusqu'à hauteur d'épaule. Pour des raisons de sécurité, il est préférable de travailler de haut en bas avec le tronc entre la tronçonneuse et vous.

Dégager les taillis autour du tronc et éviter les obstacles tels que pierres, branches cassées, fondrières, etc. pour s'assurer d'une voie de retraite facile au moment de la chute. La voie de retraite doit être à 135° derrière le sens de chute prévu de l'arbre. **(38)**

- 1 Zone de danger
- 2 Voie de retrait
- 3 Sens d'abattage

Abattage



AVERTISSEMENT! Il est déconseillé aux utilisateurs non expérimentés d'abattre un arbre dont le diamètre du tronc est supérieur à la longueur du guide-chaîne!

L'abattage est constitué de trois entailles. On procède d'abord à l'encoche qui comprend une entaille supérieure et une entaille inférieure, puis à l'abattage proprement dit grâce au trait de chute. Un emplacement correct de ces entailles permet de déterminer le point de chute de l'arbre de manière très précises.

Encoche

Pour effectuer l'encoche, commencer par l'entaille supérieure. Se tenir à droite de l'arbre en utilisant la méthode tirée.

Effectuer ensuite l'entaille inférieure de façon que les deux entailles correspondent. **(39)**

L'encoche doit faire 1/4 du diamètre du tronc et l'angle entre les deux entailles doit être d'au moins 45°.

La ligne de jointure entre les deux entailles s'appelle le trait de chute. Le trait de chute doit être horizontal et former un angle de 90° avec le sens de chute prévu. **(40)**

Trait de chute

Le trait de chute se fait de l'autre côté du tronc et doit être parfaitement horizontal. Se tenir à gauche de l'arbre et utiliser la méthode tirée.

Placer le trait de chute à environ 3-5 cm (1,5-2 pouces) au-dessus du plan horizontal de l'encoche.

Placer le patin d'ébranchage (s'il y en a un de monté) derrière la charnière. Scier à plein régime et enfoncer graduellement le guide-chaîne dans le tronc. Attention si l'arbre se déplace dans le sens opposé au sens de chute

choisi. Introduire un coin ou un bras de levier dans le trait de chute dès que la profondeur de coupe le permet. **(41)**

Le trait de chute doit s'achever parallèlement à l'encoche, l'espace entre les deux étant 1/10 du diamètre du tronc. La partie non coupée du tronc s'appelle la charnière.

La charnière guide le tronc dans la direction de chute. **(42)**

Le contrôle de la direction de chute de l'arbre fonctionne mal si la charnière est trop petite ou coupée trop profondément ou si les deux entailles ne coïncident pas. Une fois l'encoche et le trait de chute terminés, l'arbre commence à tomber de lui-même ou à l'aide d'un coin ou d'un bras de levier.

Nous recommandons une longueur de guide-chaîne supérieure au diamètre du tronc, pour que le trait de chute et l'encoche soient réalisés d'un simple trait de scie. Vous trouverez des informations sur les longueurs de guide-chaîne recommandées pour votre modèle de tronçonneuse au chapitre Caractéristiques techniques.

Il existe des méthodes d'abattage spécifiques pour les troncs dont le diamètre est supérieur à la longueur du guide-chaîne. Ces méthodes comportent un risque important de choc entre la zone de rebond du guide-chaîne et un objet.

Solution à un abattage raté

Récupération d'un arbre accroché

Décrocher un arbre coincé dans un autre peut s'avérer très dangereux et présente un grand risque d'accident. N'essayez jamais de faire tomber un arbre qui s'est coincé dans un autre.

Ne travaillez jamais sous un arbre abattu resté coincé dans un autre arbre.

Le plus sûr est d'utiliser un treuil.

- Monté sur tracteur
- Mobile

Sciage d'un arbre ou d'une branche pliés

Préparations: Apprécier la direction dans laquelle l'arbre ou la branche est susceptible de se détendre, ainsi que son point de rupture (en cas de flexion supplémentaire). S'assurer de pouvoir agir sans risque et déterminer si une solution de toute sécurité est possible. En cas de difficulté, le plus sûr moyen est de ne pas se servir de la tronçonneuse et d'avoir recours à un treuil.

Règles générales:

Se placer de façon à ne pas se trouver dans la trajectoire de la branche/de l'arbre lors de la détente.

Faire plusieurs entailles à proximité du point de rupture en nombre et de profondeur suffisants pour libérer la tension dans la branche/l'arbre et donc provoquer la cassure de la branche/de l'arbre au point de rupture.

Ne jamais scier de part en part un arbre ou une branche pliés!

Si vous devez sciez à travers l'arbre/la branche, faites trois découpes de 3 à 5 cm de profondeur à 3 cm d'intervalle.

Continuez à scier plus profondément jusqu'à ce que la tension de l'arbre/la branche se libère.

Sciez l'arbre/la branche sur le côté opposé une fois la tension libérée.

Mesures anti-rebond



AVERTISSEMENT! Un rebond peut-être soudain, rapide et violent et renvoyer la tronçonneuse, le guide-chaîne et la chaîne en direction de l'utilisateur. Si la chaîne est alors en rotation, les blessures encourues sont graves et quelquefois mortelles. Il convient donc de comprendre les raisons d'un rebond afin de pouvoir éviter ce phénomène grâce à une bonne méthode de travail et un comportement prudent.

Qu'est-ce qu'un rebond?

Un rebond est la réaction de recul qui peut se produire quand le quart supérieur du nez du guide-chaîne (la zone de rebond) touche un objet quelconque. (43)

Le rebond se produit toujours dans le plan du guide-chaîne. En général, tronçonneuse et guide-chaîne sont relevés simultanément en direction de l'utilisateur.

Néanmoins, la direction du rebond peut varier suivant la position de la tronçonneuse au moment où la zone de rebond du guide-chaîne touche un objet quelconque.

Le rebond ne peut se produire que quand la pointe ou nez du guide-chaîne (zone de rebond) touche un objet quelconque. (44)

Élagage



AVERTISSEMENT! La plupart des accidents de rebond se produisent lors de l'ébranchage. N'utilisez pas la zone de rebond du guide. Soyez très prudent et évitez que le nez du guide n'entre en contact avec la bille, d'autres branches ou d'autres objets. Soyez particulièrement prudent avec les branches sous tension. Elles peuvent revenir vers vous et vous faire perdre le contrôle, ce qui pourrait entraîner des blessures.

Se tenir bien d'aplomb et en position sûre. Travailler depuis la gauche du tronc. Se tenir aussi proche que possible de la tronçonneuse pour mieux la maîtriser. Si possible, prendre appui sur le tronc avec le corps de la tronçonneuse.

Ne se déplacer qu'avec le tronc entre soi et la tronçonneuse.

Tronçonnage en rondins

Voir les instructions au chapitre Technique de base pour la coupe.

Généralités

L'utilisateur ne peut effectuer que les travaux d'entretien et de révision décrits dans ce manuel d'utilisation. Les mesures plus importantes doivent être effectuées dans un atelier d'entretien agréé.

Réglage du carburateur

Les caractéristiques techniques de cette machine Jonsered assurent des émissions de gaz nocifs réduites au minimum.

Fonctionnement

- Le carburateur détermine le régime du moteur via la commande de l'accélération. C'est dans le carburateur que l'air est mélangé à l'essence. Ce mélange air/essence est réglable. Pour pouvoir utiliser la puissance maximale de la machine, le réglage doit être correctement effectué.
- La vis T règle la position de la commande de l'accélération au ralenti. Si la vis T est tournée dans le sens des aiguilles d'une montre, on obtient un régime de ralenti plus haut; si elle est tournée dans le sens contraire des aiguilles d'une montre, on obtient un régime de ralenti plus bas.

Réglage de base et rodage

Le réglage de base du carburateur est effectué à l'usine. Le réglage de précision doit être effectué par un spécialiste.

Régime de ralenti recommandé: Voir le chapitre

Caractéristiques techniques.

Réglage fin du ralenti T

Le ralenti se règle avec la vis repérée T. Si un réglage est nécessaire, tourner la vis T dans le sens des aiguilles d'une montre jusqu'à ce que la chaîne commence à tourner. Tourner ensuite la vis dans le sens contraire des aiguilles d'une montre jusqu'à l'arrêt de la chaîne. Un ralenti correctement réglé permet au moteur de tourner régulièrement dans toutes les positions sans entraîner la chaîne, en offrant une marge confortable avant la mise en rotation de la chaîne.



AVERTISSEMENT! Si le réglage de ralenti est impossible sans que la chaîne soit entraînée, contacter un atelier spécialisé compétent. Ne pas utiliser la tronçonneuse tant qu'elle n'est pas correctement réglée ou réparée.

Contrôle, maintenance et entretien des équipements de sécurité de la tronçonneuse

Remarque! L'entretien et la réparation de la machine exigent une formation spéciale, et plus particulièrement l'équipement de sécurité de la machine. Si les contrôles suivants ne donnent pas un résultat positif, nous vous recommandons de prendre contact avec votre atelier d'entretien. Tout entretien autre que celui indiqué dans ce manuel doit être effectué par un réparateur qualifié (concessionnaire).

Arrêtez le moteur et enlevez le câble de la bougie d'allumage avant toute réparation ou travail d'entretien

Frein de chaîne avec arceau protecteur

Contrôle de l'usure du ruban de frein

Nettoyer le frein de chaîne et le tambour d'embrayage (copeaux, résine, saletés). La saleté et l'usure compromettent le bon fonctionnement du frein. (45)

Vérifier régulièrement le ruban qui doit avoir au moins 0,6 mm d'épaisseur à son point le plus usé.

Contrôle de l'arceau protecteur

Vérifier que l'arceau est intact et sans aucun défaut apparent tel que fissures.

Actionner l'arceau d'avant en arrière pour s'assurer qu'il se meut librement et qu'il est solidement fixé à son articulation dans le carter d'embrayage. **(46)**

Contrôle de la fonction d'inertie

Posez la tronçonneuse avec le moteur arrêté sur une souche ou sur toute autre base stable. Relâchez la poignée avant et laissez la tronçonneuse tomber contre la souche de son propre poids, en pivotant autour de la poignée arrière.

Dès que le nez du guide rencontre l'obstacle, le frein doit se déclencher automatiquement. (47)

Contrôle de l'effet de freinage

Placer la tronçonneuse sur une surface solide et la mettre en marche. Vérifier que la chaîne ne touche pas le sol ou tout autre obstacle. Voir les instructions au chapitre Démarrage et arrêt.

Tenir fermement la tronçonneuse des deux mains, les doigts et le pouce épousant bien les poignées.

Donner le plein régime puis activer le frein de chaîne en poussant le poignet gauche contre l'arceau protecteur. Ne pas lâcher la poignée avant. **La chaîne doit s'arrêter immédiatement.**

Blocage de l'accélération

- Vérifier d'abord que la commande de l'accélération est bloquée en position de ralenti quand le blocage de l'accélération est en position initiale.
- Appuyer sur le blocage de l'accélération et vérifier qu'il revient de lui-même en position initiale quand il est relâché.
- Vérifier que le blocage de l'accélération, la commande d'accélération et leurs ressorts de rappel fonctionnent correctement.
- Mettre la tronçonneuse en marche et accélérer au maximum. Lâcher la commande de l'accélération et s'assurer que la chaîne s'arrête et demeure immobile. Si elle tourne quand la commande est en position de ralenti, il convient de contrôler le réglage du ralenti du carburateur.

Capteur de chaîne

Vérifier que le capteur de chaîne est en bon état et qu'il est bien fixé dans le corps de la tronçonneuse.

Protection de la main droite

S'assurer que la protection de la main droite est intacte et sans défauts visibles tels que fissures, etc.

Système anti-vibrations

Vérifier régulièrement l'état des éléments afin de détecter fissures et déformations.

S'assurer que les éléments sont bien fixés entre le moteur et les poignées.

Bouton d'arrêt

Mettre le moteur en marche et s'assurer qu'il s'arrête lorsque le bouton d'arrêt est amené en position d'arrêt.

Silencieux

Ne jamais utiliser une machine dont le silencieux est défectueux. Vérifier régulièrement la fixation du silencieux dans la machine.

Remarque: Le pare-étincelles (A) de cette machine peut être remplacé. **(48)** Remplacer la grille si elle est endommagée. Une grille encrassée cause une surchauffe du moteur, entraînant des détériorations au niveau du cylindre et du piston. Ne jamais se servir d'une machine dont le silencieux est endommagé. **Ne jamais utiliser un silencieux sans grille antiflamme ou avec une grille antiflamme défectueux.**

Dans des conditions d'utilisation normales, l'utilisateur non professionnel n'a pas besoin de changer le silencieux et le pare-étincelles.

Filtre à air

Le filtre à air doit être maintenu propre pour éviter:

- Un mauvais fonctionnement du carburateur
- Des problèmes de démarrage
- Une perte de puissance
- Une usure prématurée des éléments du moteur.
- Une consommation anormalement élevée de carburant
- Retirer le filtre à air (3) après avoir enlevé le capot du cylindre, la vis (1) et le capot de filtre à air (2). Lors du remontage, vérifier que le filtre à air est bien étanche contre le support de filtre. Nettoyer le filtre en le brossant ou en le secouant. **(49)**

Pour un nettoyage plus sérieux, laver le filtre à l'eau savonneuse.

Un filtre ayant servi longtemps ne peut plus être complètement nettoyé. Le filtre à air doit donc être remplacé à intervalles réguliers. **Tout filtre endommagé doit être remplacé immédiatement.**

Bougie

L'état de la bougie dépend de:

- L'exactitude du réglage du carburateur.
- Mauvais mélange de l'huile dans le carburant (trop d'huile ou huile inappropriée).
- La propreté du filtre à air.

Ces facteurs peuvent concourir à l'apparition de calamine sur les électrodes, ce qui à son tour entraîne un mauvais fonctionnement du moteur et des démarrages difficiles.

Si la puissance de la machine est trop faible, si la machine est difficile à mettre en marche ou si le ralenti est irrégulier, toujours commencer par contrôler l'état de la bougie avant de prendre d'autres mesures. Si la bougie est encrassée, la nettoyer et vérifier que l'écartement des électrodes est de 0,5 mm. Remplacer la bougie une fois par mois ou plus souvent si nécessaire. **(50)**

Remarque! Toujours utiliser le type de bougie recommandé! Une bougie incorrecte peut endommager le piston/le cylindre. S'assurer que la bougie est dotée d'un antiparasites.

Schéma d'entretien

La liste ci-dessous indique l'entretien à effectuer sur la machine. La plupart des points sont décrits à la section Entretien.

Entretien quotidien (Tous les 5-10 h)	Entretien hebdomadaire (Tous les 10-25 h)	Entretien mensuel (Tous les 25-40 h)
Nettoyer l'extérieur de la machine.	Contrôler le démarreur, son lanceur et son ressort.	Inspectez le degré d'usure du ruban de freinage du frein de chaîne. Remplacez-le quand les parties les plus usées sont inférieures à 0,6 mm.
Vérifier que les composants de la commande de l'accélération fonctionnent correctement en ce qui concerne la sécurité. (Blocage de l'accélération et commande de l'accélération.)	S'assurer que les amortisseurs ne sont pas endommagés.	Inspecter le degré d'usure du moyeu, du tambour d'embrayage et du ressort d'embrayage.
Nettoyer le frein de chaîne et en contrôler le bon fonctionnement. S'assurer que le capteur de chaîne est en bon état, le remplacer si nécessaire.	Limer les bavures éventuelles sur les côtés du guide-chaîne.	Nettoyer la bougie. Vérifier l'écartement des électrodes (0,5 mm).
Retourner le guide-chaîne tous les jours afin de répartir l'usure. S'assurer que le trou de lubrification n'est pas obturé. Nettoyer la gorge de la chaîne. Lubrifier la roulette si le guide en comporte une.	Nettoyer le compartiment du carburateur.	Nettoyer l'extérieur du carburateur.
S'assurer que le guide et la chaîne sont correctement alimentés en huile.	Nettoyer le filtre à air. Le remplacer si nécessaire.	Contrôler le filtre à carburant et le tuyau à carburant. Remplacer au besoin.
Vérifier que les rivets et les maillons de la chaîne sont dépourvus de fissures, que la chaîne n'est pas raide et que les rivets et les maillons ne sont pas anormalement usés. Remplacer au besoin.		Vider le réservoir de carburant et le nettoyer à l'intérieur.
Affûter la chaîne et en contrôler la tension et l'état général. Examiner le pignon d'entraînement de la chaîne et le remplacer s'il est usé.		Vider le réservoir d'huile et le nettoyer à l'intérieur.
Nettoyer la prise d'air du lanceur.		Inspecter tous les câbles et connexions.
S'assurer que toutes les vis et tous les écrous sont bien serrés.		
Contrôler le bon fonctionnement du contacteur d'arrêt.		
Vérifier qu'il n'y a pas de fuite de carburant du moteur, du réservoir ou des conduits de carburant.		

Caractéristiques techniques

	CS 2234	CS 2238
Moteur		
Cylindrée, cm ³	38	38
Course, mm	32	32
Régime de ralenti, tr/min	3000	3000
Puissance, kW	1,4/9000	1,5/9000
Système d'allumage		
Bougie	Champion RCJ 7Y	Champion RCJ 7Y
Écartement des électrodes, mm	0,5	0,5
Système de graissage/de carburant		
Contenance du réservoir de carburant, litres	0,3	0,3
Débit de la pompe à huile à 8500 tr/min, ml/min	7	7
Contenance du réservoir d'huile, litres	0,19	0,19
Type de pompe à huile	Automatique	Automatique
Poids		
Tronçonneuse sans guide, ni chaîne et avec réservoirs vides, kg	4,7	4,7
Émissions sonores (voir remarque 1)		
Niveau de puissance sonore mesuré dB(A)	115	115
Niveau de puissance sonore garanti L _{WA} dB(A)	118	118
Niveaux sonores (voir remarque 2)		
Niveau de pression sonore équivalent au niveau de l'oreille de l'utilisateur, dB(A)	100,6	100,6
Niveaux de vibrations équivalents, a_{hveq} (voir remarque 3)		
Poignée avant, m/s ²	3,7	3,7
Poignée arrière, m/s ²	5,1	5,1
Chaîne/guide-chaîne		
Longueur de guide standard, pouces/cm	14/35, 16/40	14/35, 16/40
Longueurs de guide recommandées, pouces/cm	14/35, 16/40	14/35, 16/40
Longueur de coupe effective, pouces/cm	13,5/34, 15,5/39	13,5/34, 15,5/39
Pas, pouces/mm	3/8 / 9,52	3/8 / 9,52
Épaisseur au maillon d'entraînement, pouces/mm	0,050/1,3	0,050/1,3
Type de roue d'entraînement/nombre de dents	6	6
Vitesse de chaîne à puissance maxi, m/s	17,1	17,1

Remarque 1 : Émission sonore dans l'environnement mesurée comme puissance acoustique (L_{WA}) selon la directive UE 2000/14/CE.


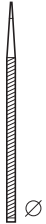

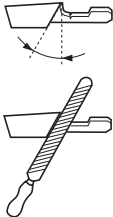

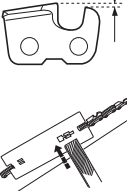
Remarque 2 : Le niveau de pression sonore équivalent, selon ISO 22868, correspond à la somme d'énergie pondérée pour divers niveaux de pression sonore à différents régimes. La dispersion statistique typique pour le niveau de pression sonore équivalent se traduit par une déviation standard de 1 dB (A).

Remarque 3 : Le niveau de vibrations équivalent, selon ISO 22867, correspond à la somme d'énergie pondérée pour les niveaux de vibrations à différents régimes. Les données reportées pour le niveau de vibrations équivalent montrent une dispersion statistique typique (déviation standard) de 1 m/s².

Combinaisons guide-chaîne et chaîne

Les équipements de coupe suivants sont homologués pour les modèles Jonsered CS2234 et CS2238.

Guide-chaîne				Chaîne	
Longueur, pouces	Pas, pouces	Largeur de rainure, mm	Nombre max. de dents, pignon avant	Type	Longueur, maillons entraîneurs (pce)
14	3/8	1,3	7T	Jonsered H37	52
16	3/8		7T		56
18	3/8		7T		62

					
	inch/mm				inch/mm
H37	5/32/4,0	80°	30°	0°	0.025/0,65

Assurance de conformité UE (Concerne seulement l'Europe)

Nous, **Husqvarna AB**, SE-561 82 Huskvarna, Suède, tél: +46-36-146500, déclarons, sous notre seule responsabilité, que les tronçonneuses **Jonsered CS 2234 et CS 2238** à partir des numéros de série de l'année de fabrication 2009 et ultérieurement (l'année est indiquée en clair sur la plaque d'identification et suivie d'un numéro de série) sont conformes aux dispositions des DIRECTIVES DU CONSEIL:

- du 17 mai 2006 "directive machines" **2006/42/CE**
- du 15 décembre 2004 "compatibilité électromagnétique" **2004/108/CEE**.
- du 8 mai 2000 "émissions sonores dans l'environnement" **2000/14/CE**.

Pour des informations sur les émissions sonores, voir le chapitre Caractéristiques techniques. Les normes harmonisées suivantes ont été appliquées: **EN ISO 12100-2:2003, CISPR 12:2001, EN ISO 11681-1:2004**

L'organisme notifié: **0404, SMP Svensk Maskinprovning AB**, Fyrisborgsgatan 3, SE-754 50 Uppsala, Suède, a procédé à des tests de type européen suivant l'article 12, paragraphe 3b de la directive machines (2006/42/CE). Les certificats du contrôle de type UE selon l'annexe IX ont les numéros: **0404/09/2048**.

De plus, **SMP, Svensk Maskinprovning AB**, Fyrisborgsgatan 3, SE-754 50 Uppsala, Suède, a confirmé la conformité avec l'annexe V de la Directive du Conseil du 8 mai 2000 relative aux "émissions sonores dans l'environnement" 2000/14/CE. Les certificats ont les numéros: **26/161/003 - CS 2234, 26/161/004 - CS 2238**.

La tronçonneuse livrée est conforme à l'exemplaire ayant subi le test de type européen.

Huskvarna, le 29 décembre 2009



Ronnie E. Goldman, Directeur technique. (Représentant autorisé d'Husqvarna AB et responsable de la documentation technique).

Sehr geehrter Kunde!

Herzlichen Glückwunsch zu Ihrem Kauf eines Jonsered-Produkts!

Wir sind überzeugt, dass Sie mit der Qualität und Leistung unserer Produkte über lange Jahre mehr als zufrieden sein werden. Mit dem Erwerb unserer Produkte erhalten Sie professionelle Hilfe bei Reparaturen und Service, falls doch einmal etwas passieren sollte. Haben Sie die Maschine nicht bei einem unserer Vertragshändler gekauft, fragen Sie dort nach der nächsten Servicewerkstatt.

Wir hoffen, dass Sie mit Ihrer Maschine über lange Jahre zufrieden sein werden. Denken Sie daran, diese Bedienungsanleitung sicher aufzubewahren. Die genaue Befolgung ihres Inhalts (Verwendung, Service, Wartung usw.) verlängert die Lebensdauer der Maschine erheblich und erhöht zudem ihren Wiederverkaufswert. Sollten Sie Ihre Maschine verkaufen, händigen Sie dem neuen Besitzer bitte auch die Bedienungsanleitung aus.

Viel Erfolg mit Ihrem neuen Jonsered-Produkt!

Die Jonsered arbeitet ständig an der Weiterentwicklung ihrer Produkte und behält sich daher das Recht auf Änderungen ohne vorherige Ankündigung, z. B. von Form und Aussehen, vor.

Symbole am Gerät:

WARNUNG! Motorsägen können gefährlich sein! Durch unsachgemäße oder nachlässige Handhabung können schwere Verletzungen oder sogar tödliche Unfälle von Anwendern oder anderen Personen verursacht werden.



Lesen Sie die Bedienungsanweisung sorgfältig durch und machen Sie sich mit dem Inhalt vertraut, bevor Sie das Gerät benutzen.



Benutzen Sie immer:

- Einen zugelassenen Schutzhelm
- Einen zugelassenen Gehörschutz
- Schutzbrille oder Visier



Dieses Produkt stimmt mit den geltenden CE-Richtlinien überein.



Umweltbelastende Geräuschemissionen gemäß der Richtlinie der Europäischen Gemeinschaft. Die Emission des Gerätes ist im Kapitel Technische Daten und auf dem Geräteschild angegeben.



Die Motorsäge muss immer mit beiden Händen betrieben werden.



Halten Sie die Motorsäge bei der Anwendung niemals nur mit einer Hand.



Die Führungsschienenspitze darf niemals Gegenstände berühren.



WARNUNG! Sollte die Führungsschienenspitze einen Gegenstand berühren, kann dies zu einem Rückschlag führen, sodass die Schiene nach oben und zurück zum Bediener geschleudert wird. Schwere Verletzungen können die Folge sein.



Kettenbremse, aktiviert (links) Kettenbremse, nicht aktiviert (rechts).



Sonstige Symbole/Aufkleber am Gerät beziehen sich auf spezielle Zertifizierungsanforderungen, die in bestimmten Ländern gelten.

Was ist was an der Motorsäge? (1)

- 1 Informations- und Warnschild
- 2 Zylinderdeckel
- 3 Kraftstoffpumpe
- 4 Starthandgriff
- 5 Chochebel/Startgassperre
- 6 Stoppschalter (Ein-/Ausschalten der Zündung.)
- 7 Hinterer Handgriff
- 8 Kraftstofftank
- 9 Stellschraube Vergaser
- 10 Startvorrichtung
- 11 Kettenöltank
- 12 Produkt- und Seriennummernschild
- 13 Gashebelsperre (Verhindert unbeabsichtigtes Gasgeben.)
- 14 Vorderer Handgriff
- 15 Handschutz
- 16 Schalldämpfer
- 17 Führungsschiene
- 18 Umlenkstern
- 19 Sägekette
- 20 Rindenstütze
- 21 Kettenfänger
- 22 Kettenspannschraube
- 23 Kupplungsdeckel
- 24 Hinterer Handgriff mit Rechtshandschutz
- 25 Gashebel
- 26 Bedienungsanweisung
- 27 Kombischlüssel
- 28 Führungsschienenschutz

Inhalt

EINLEITUNG

- Sehr geehrter Kunde! 424
Symbole am Gerät: 424
Was ist was an der Motorsäge? 425

INHALT

- Inhalt 425

ALLGEMEINE SICHERHEITSVORSCHRIFTEN

- Maßnahmen vor der Benutzung einer neuen
Motorsäge 426
Wichtig 426
Stets mit gesundem Menschenverstand arbeiten! 426
Persönliche Schutzausrüstung 427
Sicherheitsausrüstung des Gerätes 427
Schneidausrüstung 429

MONTAGE

- Montage von Schiene und Kette 432

UMGANG MIT KRAFTSTOFF

- Kraftstoff 433
Tanken 433
Sicherer Umgang mit Kraftstoff 433

STARTEN UND STOPPEN

- Starten und stoppen 434

ARBEITSTECHNIK

- Vor jeder Anwendung: 435
Allgemeine Arbeitsvorschriften 435
Vorbeugende Maßnahmen gegen Rückschlag 439

WARTUNG

- Allgemeines 440
Vergasereinstellung 440
Kontrolle, Wartung und Service der
Sicherheitsausrüstung der Motorsäge 440
Schalldämpfer 441
Luftfilter 441
Zündkerze 441
Wartungsschema 442

TECHNISCHE DATEN

- Technische Daten 443
Führungsschienen- und Kettenkombinationen 444
EG-Konformitätserklärung 444

Maßnahmen vor der Benutzung einer neuen Motorsäge

- Die Bedienungsanleitung aufmerksam durchlesen.
- **(1)–(50)** verweisen auf Illustrationen auf S. 2–5.
- Montage und Einstellung der Schneidausrüstung kontrollieren. Siehe die Anweisungen unter der Überschrift Montage.
- Tanken und die Motorsäge starten. Siehe die Anweisungen unter den Überschriften Umgang mit Kraftstoff sowie Starten und Stoppen.
- Die Motorsäge nicht benutzen, bevor die Sägekette ausreichend Öl erhalten hat. Siehe die Anweisungen unter der Überschrift Schmierung der Schneidausrüstung.
- Eine längerfristige Beschallung mit Lärm kann zu bleibenden Gehörschäden führen. Daher stets einen zugelassenen Gehörschutz tragen.



WARNUNG! Unter keinen Umständen darf die ursprüngliche Konstruktion des Gerätes ohne Genehmigung des Herstellers geändert werden. Es ist immer Originalzubehör zu verwenden. Unzulässige Änderungen und/oder unzulässiges Zubehör können zu schweren oder sogar tödlichen Verletzungen des Anwenders oder anderer Personen führen.



WARNUNG! Eine Motorsäge, die falsch oder nachlässig benutzt wird, ist ein gefährliches Gerät, das schwere und sogar tödliche Verletzungen verursachen kann. Es ist deshalb von größter Wichtigkeit, dass diese Bedienungsanweisung aufmerksam durchgelesen und verstanden wird.



WARNUNG! Der Schalldämpfer enthält Chemikalien, die karzinogen sein können. Falls der Schalldämpfer beschädigt wird, vermeiden Sie es, mit diesen Stoffen in Berührung zu kommen.



WARNUNG! Das Einatmen der Motorabgase, des Kettenölnebels und des Staubs von Sägespänen über längere Zeit kann eine Gefahr für die Gesundheit darstellen.



WARNUNG! Diese Maschine erzeugt beim Betrieb ein elektromagnetisches Feld. Dieses Feld kann sich unter bestimmten Bedingungen auf die Funktionsweise aktiver oder passiver medizinischer Implantate auswirken. Um die Gefahr für schwere oder tödliche Verletzungen auszuschließen, sollten Personen mit einem medizinischen Implantat vor der Nutzung dieser Maschine ihren Arzt und den Hersteller des Implantats konsultieren.

Wichtig

WICHTIG!

Das Gerät ist nur für das Sägen von Holz konstruiert. Nur die Kombinationen von Führungsschiene und Sägekette verwenden, die wir im Kapitel Technische Daten empfehlen.

Niemals das Gerät verwenden, wenn Sie müde sind, Alkohol getrunken oder Medikamente eingenommen haben, die Ihre Sehkraft, Urteilsvermögen oder Körperkontrolle beeinträchtigen können.

Tragen Sie persönliche Schutzausrüstung. Siehe die Anweisungen unter der Überschrift Persönliche Schutzausrüstung.

Das Gerät nicht so modifizieren, dass es nicht länger mit der Originalausführung übereinstimmt, und nicht benutzen, wenn es scheinbar von anderen modifiziert wurde.

Niemals mit einem defekten Gerät arbeiten. Die Wartungs-, Kontroll- und Serviceanweisungen in dieser Bedienungsanweisung sind sorgfältig zu befolgen. Gewisse Wartungs- und Servicemaßnahmen sind von geschulten, qualifizierten Fachleuten auszuführen. Siehe die Anweisungen unter der Überschrift Wartung.

Nur Zubehörteile verwenden, die in dieser Bedienungsanweisung empfohlen werden. Siehe die Anweisungen unter den Überschriften Schneidausrüstung und Technische Daten.

ACHTUNG! Stets eine Schutzbrille oder einen Gesichtsschutz tragen, um die von weggeschleuderten Gegenständen ausgehende Gefahr zu reduzieren. Eine Motorsäge kann Gegenstände wie Sägespäne, Holzstückchen usw. mit großer Kraft wegschleudern. Schwere Verletzungen, besonders an den Augen, können die Folge sein.



WARNUNG! Einen Motor in einem geschlossenen oder schlecht belüfteten Raum laufen zu lassen, kann zum Tod durch Ersticken oder Kohlenmonoxidvergiftung führen.



WARNUNG! Eine falsche Schneidausrüstung oder eine falsche Schienen/Kettenkombination erhöhen die Rückschlaggefahr! Nur die Kombinationen von Führungsschiene und Sägekette verwenden, die wir im Kapitel Technische Daten empfehlen, und die Feilanweisungen befolgen. Siehe die Anweisungen unter der Überschrift Technische Daten.

Stets mit gesundem Menschenverstand arbeiten! (2)

Es ist unmöglich, hier alle denkbaren Situationen zu beschreiben, die beim Gebrauch der Motorsäge auftreten könnten. Stets vorsichtig vorgehen und mit gesundem Menschenverstand arbeiten. Vermeiden Sie Situationen, denen Sie sich nicht gewachsen fühlen.

ALLGEMEINE SICHERHEITSVORSCHRIFTEN

Wenn Sie sich nach dem Lesen dieser Anweisungen immer noch unsicher fühlen, wie Sie vorgehen sollen, bitten Sie einen Fachmann um Rat, bevor Sie fortfahren. Zögern Sie nicht, Ihren Händler oder uns anzusprechen, wenn Sie Fragen bezüglich dem Gebrauch der Motorsäge haben. Wir sind gerne für Sie da und helfen Ihnen beim optimalen und sicheren Einsatz Ihrer Motorsäge. Auch ein Kurs zum Thema Anwendung der Motorsäge kann hilfreich sein. Händler, Forstfachschulen oder Bibliotheken informieren Sie über verfügbares Weiterbildungsmaterial und das Kursangebot. Wir arbeiten ständig an der Verbesserung von Konstruktion und Technik, um Ihre Sicherheit und die Effektivität des Geräts zu optimieren. Schauen Sie regelmäßig bei Ihrem Händler vorbei, so bleiben Sie über für Sie nützliche Neuerungen auf dem Laufenden.

Persönliche Schutzausrüstung



WARNUNG! Die Mehrzahl der Unfälle mit Motorsägen passiert, wenn die Sägekette den Anwender trifft. Bei der Benutzung des Gerätes muss die vorgeschriebene persönliche Schutzausrüstung angewendet werden. Die persönliche Schutzausrüstung beseitigt nicht die Unfallgefahr, begrenzt aber den Umfang der Verletzungen und Schäden. Bei der Wahl der Schutzausrüstung einen Fachhändler um Rat fragen.

- Einen zugelassenen Schutzhelm
- Gehörschutz
- Schutzbrille oder Visier
- Handschuhe mit Schnittschutz
- Hosen mit Sägeschutz
- Stiefel mit Schnittschutz, Stahlkappe und rutschfester Sohle
- Ein Erste-Hilfe-Set soll immer griffbereit sein.
- Feuerlöscher und Spaten

Die übrige Arbeitskleidung sollte dicht anliegen, ohne die Bewegungsfreiheit zu begrenzen.

WICHTIG! Von Schalldämpfer, Führungsschiene und Kette oder anderen Quellen können Funken kommen. Stets eine Feuerlöschschiene in Reichweite haben, falls es erforderlich sein sollte. Auf diese Weise tragen Sie zur Verhinderung von Waldbränden bei.

Sicherheitsausrüstung des Gerätes

Dieser Abschnitt beschreibt die Sicherheitskomponenten der Maschine und ihre Funktion. Kontrolle und Wartung werden unter der Überschrift Kontrolle, Wartung und Service der Sicherheitsausrüstung der Motorsäge erläutert. Die Position dieser Komponenten ist unter der Überschrift Was ist was? gelistet.

Die Lebensdauer der Maschine kann verkürzt werden und die Unfallgefahr kann steigen, wenn die Wartung der Maschine nicht ordnungsgemäß und Service und/oder

Reparaturen nicht fachmännisch ausgeführt werden. Weitere Informationen erteilt Ihnen gerne die nächste Servicewerkstatt.



WARNUNG! Niemals ein Gerät mit defekter Sicherheitsausrüstung verwenden. Die Sicherheitsausrüstung muss überprüft und gewartet werden. Siehe die Anweisungen unter der Überschrift Kontrolle, Wartung und Service der Sicherheitsausrüstung der Motorsäge. Finden sich Mängel bei der Kontrolle des Geräts, ist eine Servicewerkstatt zur Reparatur aufzusuchen.

Kettenbremse mit Handschutz

Ihre Motorsäge ist mit einer Kettenbremse versehen, die die Sägekette beim Rückschlag stoppt. Eine Kettenbremse reduziert die Gefahr für Unfälle, doch es sind ausschließlich Sie als Bediener, die sie verhindern kann.

Vorsichtig arbeiten und dafür sorgen, dass der Rückschlagbereich der Führungsschiene nicht mit einem Gegenstand in Berührung kommt.

- Die Kettenbremse (A) wird entweder manuell (mit der linken Hand) oder mit der Trägheitsfunktion aktiviert. **(3)**
- Die Kettenbremse wird betätigt, wenn der Handschutz (B) nach vorn geführt wird. **(3)**
- Diese Bewegung betätigt einen federgepannten Mechanismus, der das Bremsband (C) um das Kettenantriebssystem (D) des Motors spannt (Kupplungstrommel). **(4)**
- Der Handschutz wurde nicht nur konstruiert, um die Kettenbremse zu betätigen. Er soll auch verhindern, dass die linke Hand von der Sägekette getroffen wird, wenn der Anwender die Kontrolle über den linken Handgriff verliert.
- Beim Starten der Motorsäge muss die Kettenbremse eingeschaltet sein, um das Rotieren der Kette zu verhindern.
- Die Kettenbremse als Feststellbremse beim Starten sowie bei kürzeren Transporten verwenden, so wird verhindert, dass Bediener oder die Umgebung unfreiwillig in Kontakt mit der sich bewegenden Sägekette und womöglich zu Schaden kommen.
- Die Kettenbremse wird gelöst, wenn der Handschutz nach hinten zum vorderen Handgriff geführt wird.
- Rückschläge können blitzschnell und mit großer Kraft auftreten. Die meisten Rückschläge sind von geringer Kraft und bewirken nicht immer ein Auslösen der Kettenbremse. Bei solchen Rückschlägen muss die Motorsäge mit festem Griff gehalten und darf nicht losgelassen werden.
- Wie die Kettenbremse ausgelöst wird, ob manuell oder durch die Trägheitsfunktion, hängt davon ab, wie kräftig der Rückschlag ist und in welcher Stellung sich die Motorsäge im Verhältnis zu dem Gegenstand befindet, der mit dem Rückschlagbereich in Berührung kommt. Bei heftigen Rückschlägen und wenn sich der Rückschlaggefahrsektor der Führungsschiene so weit wie möglich vom Bediener weg befindet, ist die Kettenbremse so konstruiert, dass sie über das

Gegengewicht der Kettenbremse (Trägheit) in Rückschlagrichtung aktiviert wird.

Bei weniger kräftigen Rückschlägen oder wenn sich der Rückschlagbereich in der Nähe des Anwenders befindet, wird die Kettenbremse mit der linken Hand manuell betätigt.

- In der Fallposition befindet sich die linke Hand in einer Position, die die manuelle Aktivierung der Kettenbremse unmöglich macht. Bei diesen Griffen, d. h. wenn die linke Hand so platziert ist, dass sie die Bewegung des Rückschlagschutzes nicht beeinflussen kann, lässt sich die Kettenbremse nur über die Trägheitsfunktion aktivieren.

Wird meine Hand die Kettenbremse beim Rückschlag stets aktivieren?

Nein. Es ist eine bestimmte Kraft erforderlich, um den Rückschlagschutz nach vorne zu führen. Wenn Ihre Hand den Rückschlagschutz nur leicht berührt oder darüber gleitet, kann es sein, dass die Kraft nicht ausreicht, um die Kettenbremse auszulösen. Auch bei der Arbeit ist der Griff der Motorsäge fest zu umfassen. Wenn Sie dies tun und ein Rückschlag auftritt, lassen Sie vielleicht nicht den vorderen Griff los und aktivieren nicht die Kettenbremse, oder die Kettenbremse wird erst aktiviert, wenn sich die Säge bereits ein Stück gedreht hat. In einer solchen Situation kann es vorkommen, dass die Kettenbremse es nicht schafft, die Kette anzuhalten, bevor sie Sie trifft.

Auch bestimmte Arbeitsstellungen können es unmöglich machen, dass Ihre Hand den Rückschlagschutz erreicht, um die Kettenbremse zu aktivieren, z. B. wenn die Säge in der Fallposition gehalten wird.

Wird die Trägheitsfunktion der Kettenbremse stets aktiviert, wenn ein Rückschlag eintrifft?

Nein. Zum einen muss Ihre Bremse funktionieren. Die Bremse lässt sich leicht testen, siehe die Anweisungen unter der Überschrift Kontrolle, Wartung und Service der Sicherheitsausrüstung der Motorsäge. Wir empfehlen diesen Test zu Beginn jedes Arbeitstags. Zum anderen muss der Rückschlag stark genug sein, um die Kettenbremse zu aktivieren. Eine zu empfindliche Kettenbremse würde ständig aktiviert werden, was sich störend auswirken würde.

Wird mich die Kettenbremse im Fall von Rückschlag stets vor Verletzungen schützen?

Nein. Zum einen muss Ihre Bremse funktionieren, damit die Schutzfunktion gewährt ist. Zum anderen muss sie wie oben beschrieben aktiviert werden, um die Sägekette beim Rückschlag zu stoppen. Und zum dritten kann die Kettenbremse aktiviert werden, doch wenn sich die Führungsschiene zu nahe bei Ihnen befindet, kann es passieren, dass die Bremse nicht mehr verlangsamen und die Kette stoppen kann, bevor die Motorsäge Sie trifft.

Nur Sie selbst und eine vorschriftsmäßige Arbeitstechnik können den Rückschlag und seine Risiken ausschalten.

Gashebelsperre

Die Gashebelsperre wurde konstruiert, um eine unbeabsichtigte Aktivierung des Gashebels zu verhindern. Wenn die Sperre (A) in den Handgriff gedrückt wird (= beim Umfassen des Handgriffs), wird der Gashebel (B) freigegeben. Wenn der Handgriff losgelassen wird, gehen sowohl Gashebel als auch Gashebelsperre in ihre jeweiligen Ausgangspositionen zurück. Diese Stellung bedeutet, dass der Gashebel automatisch im Leerlauf gesperrt wird. (5)

Kettenfänger

Der Kettenfänger soll eine abgesprungene oder gerissene Kette auffangen. Eine solche Situation kann in den meisten Fällen durch eine korrekte Kettenspannung (siehe die Anweisungen unter der Überschrift Montage) und durch eine regelmäßige Wartung der Führungsschiene und Kette verhindert werden (siehe die Anweisungen unter der Überschrift Allgemeine Arbeitsvorschriften).

Rechtshandschutz

Der Rechtshandschutz soll die Hand nicht nur schützen, wenn die Kette abspringt oder reißt, sondern auch sicherstellen, dass Äste und Zweige nicht den Griff um den hinteren Handgriff beeinflussen.

Antivibrationssystem

Das Gerät ist mit einem Antivibrationssystem ausgerüstet, das die Vibrationen wirkungsvoll dämpft und so für angenehmere Arbeitsbedingungen sorgt.

Das Antivibrationssystem reduziert die Übertragung von Vibrationen zwischen Motoreinheit/Schneidausrüstung und dem Handgriffsystem des Gerätes. Der Motorsägenkörper inkl. Schneidausrüstung ist mit sog. Antivibrationselementen im Handgriffsystem aufgehängt.

Das Sägen in einer harten Holzart (meist Laubbäume) verursacht mehr Vibrationen als das Sägen in weichem Holz (meist Nadelbäume). Durch das Sägen mit einer falschen, ungeschärften oder falsch geschärften Schneidausrüstung werden die Vibrationen erhöht.



WARNING! Personen mit Blutkreislaufstörungen, die zu oft Vibrationen ausgesetzt werden, laufen Gefahr, Schäden an den Blutgefäßen oder am Nervensystem davonzutragen. Gehen Sie zum Arzt, wenn Sie an Ihrem Körper Symptome feststellen, die darauf hinweisen, dass Sie übermäßigen Vibrationen ausgesetzt waren. Beispiele für solche Symptome sind: Einschlafen von Körperteilen, Gefühlsverlust, Jucken, Stechen, Schmerzen, Verlust oder Beeinträchtigung der normalen Körperkraft, Veränderungen der Hautfarbe oder der Haut. Diese Symptome treten üblicherweise in Fingern, Händen und Handgelenken auf. Bei niedrigen Temperaturen können sich diese Symptome verstärken.

Stoppsschalter

Mit dem Stoppsschalter wird der Motor abgestellt.

Schalldämpfer

Der Schalldämpfer hat die Aufgabe, den Schallpegel zu reduzieren und die Motorabgase vom Anwender wegzuleiten.



WARNUNG! Die Motorabgase sind heiß und können Funken enthalten, die einen Brand verursachen können. Aus diesem Grunde sollte das Gerät niemals im Innenbereich oder in der Nähe von feuergefährlichen Stoffen gestartet werden!

In Gebieten mit warmem, trockenem Klima besteht erhöhte Brandgefahr. Gesetze und Vorschriften in diesen Gebieten verlangen möglicherweise, dass der Schalldämpfer u. a. mit einem zugelassenen Funkenfängernetz (A) versehen sein muss. (6)

ACHTUNG! Der Schalldämpfer ist beim Betrieb und auch noch nach dem Ausschalten sehr heiß. Dies gilt auch für den Leerlauf. Die Brandgefahr beachten, besonders wenn sich feuergefährliche Stoffe und/oder Gase in der Nähe befinden.



WARNUNG! Motorsägen niemals ohne oder mit defektem Schalldämpfer benutzen. Ein defekter Schalldämpfer kann Geräuschpegel und Feuergefahr erheblich steigern. Stets eine Feuerlösch-ausrüstung in Reichweite haben. Motorsägen niemals ohne oder mit defektem Funkenfängernetz benutzen, wenn das Netz in Ihrem Arbeitsgebiet vorgeschrieben ist.

Schneidausrüstung

Dieser Abschnitt beschreibt, wie man durch vorschriftsmäßige Wartung und Anwendung der richtigen Schneidausrüstung:

- Verringert die Rückschlagneigung des Gerätes.
- Reduziert die Gefahr des Abspringens oder Brechens der Sägekette.
- Erhält eine optimale Schnittleistung.
- Verlängert die Lebensdauer der Schneidausrüstung.
- Vermeidet die Steigerung der Vibrationspegel.

Grundregeln

- **Benutzen Sie nur von uns empfohlene Schneidausrüstungen!** Siehe die Anweisungen unter der Überschrift Technische Daten.
- **Sorgen Sie dafür, dass die Schneidezähne die richtige Länge haben und gut geschärft sind!** Befolgen Sie unsere Anweisungen und benutzen Sie die empfohlene Feillehre. Eine falsch geschärfte oder beschädigte Sägekette erhöht die Unfallgefahr.
- **Korrekten Tiefenbegrenzerabstand beibehalten!** Anweisungen befolgen und die empfohlene

Tiefenbegrenzerlehre verwenden. Ein zu großer Tiefenbegrenzerabstand erhöht die Rückschlaggefahr.

- **Halten Sie die Sägekette gespannt!** Wenn die Sägekette unzureichend gespannt ist, erhöht sich die Gefahr, dass sie abspringt. Zudem werden Führungsschiene, Sägekette und Kettenantriebsrad stärker abgenutzt.
- **Sorgen Sie für eine gute Schmierung und Wartung der Schneidausrüstung!** Wenn die Sägekette unzureichend geschmiert wird, erhöht sich die Gefahr, dass sie reißt. Zudem werden Führungsschiene, Sägekette und Kettenantriebsrad stärker abgenutzt.

Rückschlag reduzierende Schneidausrüstung



WARNUNG! Eine falsche Schneidausrüstung oder eine falsche Schienen/Kettenkombination erhöhen die Rückschlaggefahr! Nur die Kombinationen von Führungsschiene und Sägekette verwenden, die wir im Kapitel Technische Daten empfehlen, und die Feilanweisungen befolgen. Siehe die Anweisungen unter der Überschrift Technische Daten.

Ein Rückschlag kann nur vermieden werden, wenn der Anwender dafür sorgt, dass der Rückschlagbereich der Schiene nicht mit einem Gegenstand in Berührung kommt.

Die Kraft eines Rückschlags kann reduziert werden, in dem eine Schneidausrüstung mit "eingebauter" Rückschlagreduzierung benutzt und die Sägekette richtig geschärft und gewartet wird.

Führungsschiene

Je kleiner der Radius des Umlenksterns, desto geringer die Rückschlagneigung.

Sägekette

Eine Sägekette besteht aus einer Anzahl von verschiedenen Kettengliedern, die in Standardausführung und mit Rückschlagreduzierung erhältlich sind.

WICHTIG! Keine Sägeketten können die Rückschlaggefahr ausschließen.



WARNUNG! Jeder Kontakt mit einer rotierenden Sägekette kann sehr schwere Verletzungen hervorrufen.

Einige Ausdrücke, die Führungsschiene und Sägekette beschreiben

Um alle Sicherheitskomponenten der Schneidausrüstung zu erhalten, sind verschlissene und beschädigte Schienen/Kettenkombinationen durch eine von Jonsered empfohlene Führungsschiene und Sägekette zu ersetzen. Siehe die Anweisungen unter der Überschrift Technische Daten für Informationen, welche Schienen/Kettenkombinationen wir empfehlen.

ALLGEMEINE SICHERHEITSVORSCHRIFTEN

Führungsschiene

- Länge (Zoll/cm)
- Anzahl Zähne des Umlenksterns (T).
- Teilung der Sägekette (=pitch) (in Zoll). Der Umlenkstern der Führungsschiene und das Kettenantriebsrad der Motorsäge müssen dem Abstand zwischen den Treibgliedern angepasst sein.
- Anzahl Treibglieder (St.). Jede Führungsschiene hat je nach der Sägekettenteilung sowie der Anzahl Zähne des Umlenksterns eine bestimmte Anzahl Treibglieder.
- Nutbreite der Schiene (Zoll/mm). Die Breite der Führungsschiene muss der Treibgliedbreite der Sägekette angepasst sein.
- Loch für Kettenöl und Loch für Kettenspannzapfen. Die Führungsschiene muss der Motorsägenkonstruktion angepasst sein.

Sägekette

- Teilung der Sägekette (=pitch) (Zoll)
- Treibgliedbreite (mm/Zoll)
- Anzahl Treibglieder (St.)

Sägekette schärfen und Tiefenbegrenzerabstand justieren



WARNUNG! Bei Arbeiten mit der Kette stets Handschuhe tragen, um Verletzungen vorzubeugen.

Allgemeines über das Schärfen von Schneidezähnen

- Niemals mit einer stumpfen Sägekette sägen. Die Sägekette ist stumpf, wenn die Schneidaustrüstung durch das Holz gepresst werden muss und die Holzspäne sehr klein sind. Bei einer sehr stumpfen Sägekette sind überhaupt keine Holzspäne vorhanden. In diesem Fall entsteht nur Holzstaub.
- Eine gut geschärfte Sägekette frisst sich durch das Holz und erzeugt große, lange Holzspäne.
- Das sägende Element einer Sägekette, das Schneidglied, besteht aus einem Schneidezahn (A) und einer Tiefenbegrenznase (B). Der Höhenabstand zwischen den beiden entscheidet über die Schnitttiefe. (7)

Beim Schärfen von Schneidezähnen sind vier Werte zu berücksichtigen.

- 1 Schärfwinkel
- 2 Brustwinkel
- 3 Schärfposition
- 4 Durchmesser der Rundfeile

Keine Hilfsmittel ist es äußerst schwierig, eine Sägekette korrekt zu schärfen. Daher empfehlen wir die Anwendung unserer Schärflahre. Sie stellt sicher, dass die Sägekette für optimale Rückschlagreduktion und Schnittleistung geschärft wird.

Siehe die Anweisungen unter der Überschrift Technische Daten bezüglich des Schärfens Ihrer Motorsägenkette.



WARNUNG! Das Nichtbefolgen der Schärfanweisungen erhöht die Rückschlagneigung der Sägekette erheblich!

Schärfen der Schneidezähne

Zum Schärfen der Schneidezähne ist eine Rundfeile und eine Schärflahre erforderlich. Siehe die Anweisungen unter der Überschrift Technische Daten bezüglich des Durchmessers der Rundfeile sowie einer Schärflahrenempfehlung für Ihre Motorsägenkette.

- Kontrollieren, ob die Sägekette gespannt ist. Bei unzureichender Spannung ist die Sägekette in seitlicher Richtung instabil, was das korrekte Schärfen erschwert.
- Immer von der Innenseite des Schneidezahns nach außen schärfen. Die Feile beim Zurücksetzen anheben. Zuerst alle Zähne der einen Seite schärfen, dann die Motorsäge drehen und die Zähne der anderen Seite schärfen.
- So schärfen, dass alle Zähne gleich lang sind. Wenn die Schneidezähne bis auf 4 mm (0,16") Länge abgenutzt sind, ist die Sägekette unbrauchbar und muss weggeworfen werden. (8)

Allgemeines über die Justierung der Tiefenbegrenzung

- Beim Schärfen des Schneidezahns wird die Tiefenbegrenzung (= Schnitttiefe) verringert. Um die maximale Schneidleistung beizubehalten, muss die Tiefenbegrenznase auf die empfohlene Höhe gesenkt werden. Siehe die Anweisungen unter der Überschrift Technische Daten über die Justierung des Tiefenbegrenzerabstands an der Sägekette Ihrer Motorsäge.



WARNUNG! Ein zu großer Tiefenbegrenzerabstand erhöht die Rückschlagneigung der Sägekette!

Justierung des Tiefenbegrenzerabstands

- Wenn die Justierung des Tiefenbegrenzerabstands vorgenommen wird, müssen die Schneidezähne neu geschärft sein. Wir empfehlen, den Tiefenbegrenzerabstand nach jeder dritten Sägekettenschärfung zu justieren. **ACHTUNG!** Diese Empfehlung setzt voraus, dass die Länge der Schneidezähne nicht unnormal verkürzt worden ist.
- Zur Justierung des Tiefenbegrenzerabstands sind eine Flachfeile und eine Tiefenbegrenzerlehre erforderlich. Wir empfehlen die Verwendung unserer Schärflahre für den Tiefenbegrenzerabstand, um das korrekte Maß und den richtigen Winkel der Tiefenbegrenznase zu erhalten.
- Schärflahre über die Sägekette legen. Informationen über die Verwendung der Schärflahre sind auf der Verpackung angegeben. Mit der Flachfeile den überschüssigen Teil der Tiefenbegrenznase abfeilen. Der Tiefenbegrenzerabstand ist korrekt, wenn beim Feilen über die Lehre kein Widerstand mehr zu spüren ist.

Spannen der Sägekette



WARNUNG! Eine unzureichend gespannte Sägekette kann abspringen und schwere oder sogar lebensgefährliche Verletzungen verursachen.



WARNUNG! Stets zugelassene Schutzhandschuhe tragen. Auch eine sich nicht bewegende Kette kann schwere Verletzungen beim Bediener oder anderen Personen in der Nähe verursachen.

Je öfter man eine Sägekette benutzt, desto länger wird sie. Es ist wichtig, dass die Schneidaustrüstung dieser Veränderung entsprechend justiert wird.

Die Kettenspannung ist regelmäßig beim Tanken zu kontrollieren. **ACHTUNG!** Eine neue Sägekette muss eine gewisse Zeit eingefahren werden, in der die Sägekettenspannung öfter kontrolliert werden muss.

Allgemein gilt, dass man die Sägekette so straff wie möglich spannen soll, aber nur so straff, dass man sie noch leicht von Hand drehen kann. **(9)**

- Die Führungsschienenmuttern lösen, die Kupplungsdeckel und Kettenbremse halten. Kombischlüssel benutzen. Die Muttern der Führungsschiene dann so fest wie möglich von Hand anziehen. **(10)**
- Die Führungsschienen spitze anheben und die Sägekette durch Drehen der Spanschraube mit Hilfe des Kombischlüssels spannen. Die Sägekette spannen, bis sie an der Unterseite der Führungsschiene nicht mehr durchhängt. **(11)**
- Mit dem Kombischlüssel die Führungsschienenmuttern festziehen, dabei gleichzeitig die Führungsschienen spitze anheben. Kontrollieren, ob die Sägekette leicht von Hand gedreht werden kann und an der Unterseite der Führungsschiene nicht durchhängt. **(12)**

Schmierung der Schneidaustrüstung



WARNUNG! Eine unzureichende Schmierung der Schneidaustrüstung kann zu einem Bruch der Sägekette führen und schwere oder sogar lebensgefährliche Verletzungen verursachen.

Sägekettenöl

Sägekettenöl soll gut an der Sägekette haften und im warmen Sommer wie im kalten Winter gute Fließeigenschaften aufweisen.

Als Motorsägenhersteller haben wir ein optimales Sägekettenöl entwickelt, das dank seiner pflanzlichen Basis außerdem biologisch abbaubar ist. Wir empfehlen daher die Verwendung unseres Kettenöls der Umwelt zuliebe, und damit die Sägekette länger hält. Wenn unser Original-Sägekettenöl nicht erhältlich ist, empfehlen wir, herkömmliches Sägekettenöl zu benutzen.

Niemals Altöl verwenden! Es ist schädlich für Anwender, Gerät und Umwelt.

WICHTIG! Bei der Verwendung von pflanzlichem Sägekettenöl sind Führungsschienen nut und Sägekette vor der längeren Aufbewahrung auszubauen und zu reinigen. Ansonsten besteht die Gefahr, dass das Sägekettenöl oxidiert, wodurch die Sägekette steif wird und der Umlenkstern der Führungsschiene schleift.

Nachfüllen von Sägekettenöl

- Alle unsere Motorsägenmodelle sind mit automatischer Kettenschmierung versehen. Bei einigen Modellen kann auch die Öldurchflussmenge eingestellt werden.
- Kettenöl- und Kraftstofftank sind so dimensioniert, dass der Kraftstoff zur Neige geht, bevor das Sägekettenöl verbraucht ist.

Diese Sicherheitsfunktion setzt jedoch voraus, dass das richtige Kettenöl verwendet wird (ein zu dünnflüssiges Öl wird verbraucht, bevor der Kraftstofftank leer ist) sowie die Empfehlung bzgl. der Vergasereinstellung (bei einer zu mageren Einstellung reicht der Kraftstoff länger als das Sägekettenöl) und die Empfehlungen für die Schneidaustrüstung (eine zu lange Führungsschiene erfordert mehr Kettenöl) befolgt werden.

Kontrolle der Sägekettenschmierung

- Beim Tanken ist immer die Sägekettenschmierung zu kontrollieren. Siehe die Anweisungen unter der Überschrift Schmierung des Umlenksterns der Führungsschiene.

Die Führungsschienen spitze im Abstand von etwa 20 cm (8 Zoll) auf einen festen, hellen Gegenstand richten. Nach 1 Minute Betrieb mit 3/4 Vollgas muss ein deutlicher Ölrand am hellen Gegenstand sichtbar sein.

Wenn die Sägekettenschmierung nicht funktioniert:

- Kontrollieren, ob der Sägekettenölkanal verstopft ist. Bei Bedarf reinigen.
- Kontrollieren, ob die Nut der Führungsschiene sauber ist. Bei Bedarf reinigen.
- Kontrollieren, ob der Umlenkstern der Führungsschiene sich leicht bewegen lässt und sein Schmierloch offen ist. Bei Bedarf reinigen und schmieren.

Wenn die Schmierung der Sägekette nach einem Durchgang der oben aufgeführten Kontrollen und Maßnahmen nicht funktioniert, muss die Servicewerkstatt aufgesucht werden.

Kettenantriebsrad

Die Kupplungstrommel ist mit einem Spur-Antriebsrad (an der Trommel festgelötetes Kettenantriebsrad) ausgerüstet.

Regelmäßigen Verschleiß des Kettenantriebsrades kontrollieren. Austauschen, wenn das Rad unnormal verschlissen ist. Das Kettenantriebsrad bei jedem Wechsel der Sägekette austauschen.

Verschleißkontrolle der Schneidausrüstung

Die Sägekette täglich im Hinblick auf Folgendes kontrollieren:

- Sichtbare Risse an Nieten und Gliedern.
- Steifigkeit der Sägekette.
- Unnormaler Verschleiß an Nieten und Gliedern.

Die Sägekette entsorgen, wenn sie einen der o. g. Punkte aufweist.

Wir empfehlen, eine neue Sägekette zu benutzen, um den Verschleiß der alten Kette beurteilen zu können.

Wenn die Schneidezähne nur noch eine Länge von 4 mm haben, ist die Sägekette verschlissen und muss weggeworfen werden.

Führungsschiene

Regelmäßig kontrollieren:

- Ob sich an den Außenseiten der Führungsschiennutten Grate gebildet haben. Bei Bedarf abfeilen. **(13A)**
- Ob die Führungsschiennutten unnormal verschlissen ist. Wenn ja, Führungsschiene auswechseln. **(13B)**
- Ob der Umlenkstern der Führungsschiene unnormal oder ungleichmäßig verschlissen ist. Wenn sich eine Vertiefung gebildet hat, wo der Radius des Umlenksterns an der Unterseite der Führungsschiene endet, war die Sägekette unzureichend gespannt.
- Tägliches Wenden der Führungsschiene verlängert ihre Lebensdauer.



WARNUNG! Die Mehrzahl der Unfälle mit Motorsägen passiert, wenn die Sägekette den Anwender trifft.

Tragen Sie persönliche Schutzausrüstung. Siehe die Anweisungen unter der Überschrift Persönliche Schutzausrüstung.

Meiden Sie alle Arbeitsaufgaben, für die Sie sich nicht ausreichend qualifiziert fühlen. Siehe die Anweisungen unter den Überschriften Persönliche Schutzausrüstung, Vorbeugende Maßnahmen gegen Rückschlag, Schneidausrüstung und Allgemeine Arbeitsvorschriften.

Vermeiden Sie Situationen, in denen Rückschlaggefahr besteht. Siehe die Anweisungen unter der Überschrift Sicherheitsausrüstung des Gerätes.

Benutzen Sie die empfohlene Schneidausrüstung und kontrollieren Sie deren Zustand. Siehe die Anweisungen unter der Überschrift Allgemeine Arbeitsvorschriften.

Kontrollieren Sie die Funktion der Sicherheitsausrüstung der Motorsäge. Siehe die Anweisungen unter den Überschriften Allgemeine Arbeitsvorschriften und Allgemeine Sicherheitsvorschriften.

Montage von Schiene und Kette



WARNUNG! Kontrollen und/oder Wartungsmaßnahmen sind mit abgeschaltetem Motor durchzuführen. Der Stoppschalter geht automatisch in die Startstellung zurück. Um ein ungewolltes Starten zu vermeiden, muss bei Montage, Kontrolle und/oder Wartung daher stets die Zündkappe von der Zündkerze entfernt werden.

Bei Arbeiten mit der Kette stets Handschuhe tragen, um Verletzungen vorzubeugen.

Kontrollieren, dass die Kettenbremse nicht in ausgelöster Position ist, indem der Handschutz der Kettenbremse gegen den vorderen Griff geführt wird.

Die Schienenmuttern lösen und den Kupplungsdeckel (Kettenbremse) abnehmen. Den Transportschutz entfernen.(A) **(15)**

Die Schiene über die Schienenbolzen montieren. Die Schiene in der hintersten Position aufsetzen. Die Kette um das Kettenantriebsrad und in die Schienennut legen. Auf der Oberseite der Schiene beginnen. **(17)**

Darauf achten, dass die Schneiden der Sägezähne auf der Schienenoberseite nach vorn gerichtet sind.

Kupplungsdeckel (Kettenbremse) montieren und den Kettenspannzapfen in das Loch in der Schiene einpassen. Kontrollieren, ob die Treibglieder der Kette auf das Kettenantriebsrad passen und die Kette richtig in der Schienennut liegt. Die Schienenmuttern von Hand festschrauben. **(17)**

Die Kette durch Drehen der Kettenspannschraube im Uhrzeigersinn (einen Kombischlüssel verwenden) spannen. Die Kette soll gespannt werden, bis sie auf der Schienen-unterseite nicht mehr durchhängt. Siehe die Anweisungen unter der Überschrift Spannen der Sägekette. **(18)**

Die Kette ist richtig gespannt, wenn sie an der Schienenunterseite nicht durchhängt und noch leicht von Hand durchgezogen werden kann. Die Schienenspitze anheben und dabei gleichzeitig die Schienenmuttern mit dem Kombischlüssel festschrauben. **(19)**

An einer neuen Kette muss die Kettenspannung oft kontrolliert werden, bis die Kette eingefahren ist. Die Kettenspannung regelmäßig prüfen. Mit einer richtig gespannten Kette wird eine gute Schnittleistung und eine lange Lebensdauer erzielt. **(19)**

Montage der Rindenstütze

Zur Montage einer Rindenstütze wenden Sie sich bitte an Ihre Servicewerkstatt.

Kraftstoff

Hinweis! Das Gerät ist mit einem Zweitaktmotor ausgestattet und daher ausschließlich mit einer Mischung aus Benzin und Zweitaktöl zu betreiben. Um das korrekte Mischungsverhältnis sicherzustellen, muss die beizumischende Ölmenge genau abgemessen werden. Beim Mischen kleiner Kraftstoffmengen wirken sich auch kleine Abweichungen bei der Ölmenge stark auf das Mischungsverhältnis aus.



WARNUNG! Beim Umgang mit Kraftstoff für gute Belüftung sorgen.

Benzin

- Bleifreies oder verbleites Qualitätsbenzin verwenden.
- Als niedrigste Oktanzahl wird 90 (RON) empfohlen. Bei Benzin mit niedrigeren Oktanzahlen als 90 kann im Motor ein sog. "Klopfen" auftreten. Dies führt zu erhöhter Motortemperatur und verstärkter Belastung der Lager, was schwere Motorschäden verursachen kann.
- Wenn ständig mit hoher Drehzahl gearbeitet wird (z.B. beim Entasten), ist eine höhere Oktanzahl zu empfehlen.

Einfahren

Während der ersten 10 Stunden ist ein Fahren bei zu hoher Drehzahl und über längere Zeiträume zu vermeiden.

Zweitaktöl

- Das beste Resultat und die beste Leistung wird mit JONSERED-Zweitaktmotoröl erzielt, das speziell für unsere luftgekühlten Zweitaktmotoren hergestellt wird.
- Niemals Zweitaktöl für wassergekühlte Außenbordmotoren, sog. Outboardoil (TCW), verwenden.
- Niemals Öl für Viertaktmotoren verwenden.
- Eine unzureichende Ölqualität oder ein zu fettes Öl/ Kraftstoff-Gemisch kann die Funktion des Katalysators beeinträchtigen und seine Lebensdauer reduzieren.

Mischungsverhältnis

1:50 (2 %) mit JONSERED-Zweitaktöl.

1:33 (3 %) mit anderen Ölen für luftgekühlte Zweitaktmotoren der Klasse JASO FB/ISO EGB.

Benzin, Liter	Zweitaktöl, Liter	
	2% (1:50)	3% (1:33)
5	0,10	0,15
10	0,20	0,30
15	0,30	0,45
20	0,40	0,60

Mischen

- Benzin und Öl stets in einem sauberen, für Benzin zugelassenen Behälter mischen.
- Immer zuerst die Hälfte des Benzins, das gemischt werden soll, einfüllen. Danach die gesamte Ölmenge einfüllen. Die Kraftstoffmischung mischen (schütteln). Dann den Rest des Benzins dazugeben.

- Vor dem Einfüllen in den Tank der Maschine die Kraftstoffmischung noch einmal sorgfältig mischen (schütteln).
- Kraftstoff höchstens für einen Monat im Voraus mischen.
- Wenn das Gerät über einen längeren Zeitraum nicht benutzt wird, den Kraftstofftank entleeren und reinigen.

Kettenöl

- Zum Schmieren empfehlen wir ein spezielles Öl (Kettenschmieröl) mit guten Hafteigenschaften.
- Auf keinen Fall Altöl verwenden. Dadurch können Schäden an Ölpumpe, Schiene und Kette entstehen.
- Es ist wichtig, eine für die aktuelle Lufttemperatur geeignete Ölorte (mit entsprechender Viskosität) zu verwenden.
- Bei Lufttemperaturen unter 0°C können gewisse Öle dickflüssig werden. Dies kann zu Überlastung der Ölpumpe führen und hat Schäden an den Pumpenteilen zur Folge.
- Informieren Sie sich bei Ihrer Servicewerkstatt über das geeignete Kettenschmieröl.

Tanken



WARNUNG! Folgende Vorsichtsmaßnahmen verringern die Feuergefahr:

Beim Tanken nicht rauchen und jegliche Wärmequellen vom Kraftstoff fernhalten.

Den Motor abstellen und vor dem Tanken einige Minuten abkühlen lassen.

Den Tankdeckel stets vorsichtig öffnen, so dass sich ein evtl. vorhandener Überdruck langsam abbauen kann.

Den Tankdeckel nach dem Tanken wieder sorgfältig zudrehen.

Das Gerät zum Starten immer von der Auftankstelle entfernen.

Um den Tankdeckel herum abwischen. Kraftstoff- und Kettenöltank regelmäßig reinigen. Den Kraftstofffilter mindestens einmal pro Jahr auswechseln. Verunreinigungen im Tank führen zu Betriebsstörungen. Vor dem Auffüllen durch kräftiges Schütteln des Behälters sicherstellen, dass der Kraftstoff gut gemischt ist. Die Volumina von Kettenöl- und Kraftstofftank sind aufeinander abgestimmt. Deshalb stets Kettenöl und Kraftstoff gleichzeitig nachfüllen.



WARNUNG! Kraftstoff und Kraftstoffdämpfe sind sehr feuergefährlich. Beim Umgang mit Kraftstoff und Kettenöl ist Vorsicht geboten. Es besteht besteht Feuer-, Explosions- und Vergiftungsgefahr.

Sicherer Umgang mit Kraftstoff

- Niemals Kraftstoff nachfüllen, wenn der Motor läuft.
- Beim Tanken und Mischen von Kraftstoff (Benzin und Zweitaktöl) ist für gute Belüftung zu sorgen.
- Das Gerät vor dem Starten mindestens 3 m von der Stelle entfernen, an der getankt wurde.

- Das Gerät niemals starten, wenn:
 - 1 Kraftstoff oder Kettenöl darüber verschüttet wurde. Verschüttetes restlos abwischen und die Kraftstoffdämpfe verdunsten lassen.
 - 2 Wenn Sie Kraftstoff über sich selbst oder Ihre Kleidung verschüttet haben, ziehen Sie sich um. Waschen Sie die Körperteile, die mit dem Kraftstoff in Berührung gekommen sind. Wasser und Seife verwenden.
 - 3 Wenn es Kraftstoff leckt. Tankdeckel und Tankleitungen regelmäßig auf Undichtigkeiten überprüfen.



WARNUNG! Niemals ein Gerät mit sichtbaren Schäden an Zündkerzenschutz und Zündkabel verwenden. Es besteht die Gefahr der Funkenbildung, was ein Feuer verursachen kann.

Transport und Aufbewahrung

- Die Motorsäge und den Kraftstoff so aufbewahren, dass evtl. auslaufender Kraftstoff und Dämpfe nicht mit Funken oder offenen Flammen in Berührung kommen können. Quellen für Funkenbildung sind elektrische Maschinen, Elektromotoren, elektrische Steckdosen und Schalter, Heizkessel usw.
- Zur Aufbewahrung von Kraftstoff sind speziell für diesen Zweck bestimmte und zugelassene Behälter zu verwenden.
- Bei längerer Aufbewahrung oder beim Transport der Motorsäge sind Kraftstoff- und Kettenöltank zu entleeren. Fragen Sie an der nächsten Tankstelle nach, wo Sie Ihre Altbestände an Kraftstoff und Sägekettenöl entsorgen können.
- Vor der Langzeitaufbewahrung sicherstellen, dass die Maschine gründlich gesäubert und komplett gewartet wurde.
- Bei Transport oder Aufbewahrung des Geräts muss der Transportschutz für die Schneidaurüstung immer montiert sein, um einen versehentlichen Kontakt mit der scharfen Kette zu vermeiden. Auch eine sich nicht bewegende Kette kann schwere Verletzungen beim Bediener oder anderen Personen in der Nähe verursachen.
- Sichern Sie die Maschine während des Transports.

Langzeitaufbewahrung

Kraftstoff- und Öltanks an einem gut belüfteten Ort leeren. Den Kraftstoff in zugelassenen Kanistern an einem sicheren Ort aufbewahren. Führungsschienenschutz montieren. Gerät reinigen. Siehe die Anweisungen unter der Überschrift **Wartungsplan**.

Starten und stoppen



WARNUNG! Vor dem Start ist Folgendes zu beachten:

Beim Starten der Motorsäge muss die Kettenbremse eingeschaltet sein, um die Gefahr eines Kontakts mit der rotierenden Kette zu verhindern.

Die Motorsäge nicht starten, ohne dass Schiene, Kette und sämtliche Abdeckungen montiert sind. Andernfalls kann sich die Kupplung lösen und Verletzungen verursachen.

Das Gerät auf einen festen Untergrund stellen. Sorgen Sie dafür, dass Sie fest und sicher stehen, und dass die Kette nicht mit einem Gegenstand in Berührung kommen kann.

Sorgen Sie dafür, dass sich im Arbeitsbereich keine Unbefugten aufhalten.

Kalter Motor

Starten: Die Kettenbremse muss eingeschaltet sein, wenn die Motorsäge gestartet wird. Die Bremse aktivieren, indem der Handschutz nach vorn geführt wird. **(20)**

1. Kraftstoffpumpe: Mehrmals auf die Gummiblase der Kraftstoffpumpe drücken, bis diese sich mit Kraftstoff zu füllen beginnt. Die Blase braucht nicht ganz gefüllt zu werden. **(23)**

2. Choke: Den blauen Choke/Startgas-Hebel vollständig (bis zur Stellung **FULL CHOKE**) herausziehen. Wenn der Choke komplett herausgezogen ist, wird automatisch eine korrekte Startgasposition eingestellt. **(21)**

Startgas: Mit dem Kombinationshebel Choke/Startgas erhält man Startgas, wenn der Hebel in Choke-Lage steht. **(22)**

Starten

Den vorderen Griff mit der linken Hand umfassen. Mit dem rechten Fuß in den hinteren Griff treten und die Motorsäge gegen den Boden drücken.

3. Den Startgriff mit der rechten Hand fassen und das Startseil bis zum ersten Widerstand (die Starterklinken rasten ein) langsam herausziehen, danach das Seil schnell und kraftvoll herausziehen, bis der Motor startet. **Das Startseil niemals um die Hand wickeln. (25)**

ACHTUNG! Das Startseil nicht ganz herausziehen und den Startgriff aus ganz herausgezogener Lage nicht loslassen. Schäden am Gerät könnten die Folge sein.

4. Sobald das typische Zündgeräusch des Motors zu vernehmen ist, den Chochebel einschieben. **(21)**

5. Weitere Startversuche machen, bis der Motor anspringt. **(26)** Lassen Sie den Motor 30 Sekunden lang warm laufen und drücken Sie anschließend den Gashebel, um eine normale Drehzahl einzustellen.

Da die Kettenbremse immer noch eingeschaltet ist, muss die Motordrehzahl so schnell wie möglich auf

Leerlauf heruntergeregelt werden, was durch kurzes, einmaliges Drücken des Gashebels erreicht wird. Dadurch vermeiden Sie unnötigen Verschleiß an Kupplung, Kupplungstrommel und Bremsband.

Hinweis! Die Kettenbremse zurückstellen, indem der Handschutz (mit der Markierung „PULL BACK TO RESET“) nach hinten zum Griffbügel geführt wird. Die Motorsäge ist damit einsatzbereit. (27)

Warmer Motor

Startvorgang wie bei kaltem Motor, der Chokehebel wird jedoch nicht in Choke-Lage geführt. Den Gashebel in Startposition bringen, indem der blaue Hebel in Choke-Lage geführt und gleich wieder eingeschoben wird. (24)



WARNUNG! Das Einatmen der Motorabgase, des Kettenölnebels und des Staubs von Sägespänen über längere Zeit kann eine Gefahr für die Gesundheit darstellen.

- Die Motorsäge niemals starten, ohne dass Schiene, Sägekette und sämtliche Abdeckungen korrekt montiert sind. Siehe die Anweisungen unter der Überschrift Montage. Ohne montierte Führungsschiene und Kette kann sich die Kupplung lösen und schwere Schäden verursachen. (28)
- Die Kettenbremse muss beim Starten der Motorsäge eingeschaltet sein. Siehe die Anweisungen unter der Überschrift Starten und Stoppen. Die Motorsäge nicht "aus der Hand" anwerfen. Diese Methode ist äußerst gefährlich, da man leicht die Kontrolle über die Motorsäge verliert. (29)
- Das Gerät niemals im Innenbereich starten. Seien Sie sich der Gefahr bewusst, die das Einatmen von Motorabgasen birgt!
- Bei der Arbeit auf die Umgebung achten und sicherstellen, dass weder Menschen noch Tiere mit der Schneidausrüstung in Berührung kommen können.
- Die Motorsäge stets mit beiden Händen halten. Mit der rechten Hand den hinteren Griff und mit der linken den vorderen Griff umfassen. **Alle Benutzer, ob Links- oder Rechtshänder, müssen die Handgriffe so greifen.** Fest umfassen, sodass Daumen und Finger den Handgriff umschließen. (30)

Stoppen

Zum Abstellen des Motors Stopp-Taste drücken. (31)

Vor jeder Anwendung: (32)

- 1 Kontrollieren, ob die Kettenbremse ordnungsgemäß funktioniert und unbeschädigt ist.
- 2 Kontrollieren, ob der hintere Rechtshandschutz unbeschädigt ist.
- 3 Kontrollieren, ob die Gashebelsperre ordnungsgemäß funktioniert und unbeschädigt ist.
- 4 Sicherstellen, dass der Stoppschalter funktionstüchtig und unbeschädigt ist.
- 5 Kontrollieren, ob sämtliche Handgriffe frei von Öl sind.
- 6 Kontrollieren, ob das Vibrationsdämpfungssystem funktioniert und unbeschädigt ist.
- 7 Kontrollieren, ob der Schalldämpfer fest sitzt und unbeschädigt ist.
- 8 Kontrollieren, ob sämtliche Teile der Motorsäge vorhanden, fest angezogen und unbeschädigt sind.
- 9 Kontrollieren, ob der Kettenfänger an seinem Platz sitzt und unbeschädigt ist.
- 10 Kettenspannung überprüfen.

Allgemeine Arbeitsvorschriften

WICHTIG!

Dieser Abschnitt behandelt die grundlegenden Sicherheitsvorschriften bei der Arbeit mit einer Motorsäge. Diese Information kann natürlich in keiner Weise die Ausbildung und langjährige Erfahrung eines Fachmanns ersetzen. Wenn Sie in eine Situation geraten, in der Sie unsicher sind, sollten Sie einen Fachmann um Rat fragen. Wenden Sie sich an Ihren Fachhändler, Ihre Servicewerkstatt oder einen erfahrenen Motorsägenführer. Vermeiden Sie jede Arbeit, für die Sie nicht ausreichend qualifiziert sind!

Vor der Benutzung der Motorsäge müssen Sie wissen, was ein Rückschlag ist, und wie er vermieden werden kann. Siehe die Anweisungen unter der Überschrift Vorbeugende Maßnahmen gegen Rückschlag.

Vor der Benutzung der Motorsäge müssen Sie den Unterschied verstehen zwischen dem Sägen mit der Unterseite bzw. Oberseite der Führungsschiene. Siehe die Anweisungen unter den Überschriften Vorbeugende Maßnahmen gegen Rückschlag und Sicherheitsausrüstung des Geräts.

Tragen Sie persönliche Schutzausrüstung. Siehe die Anweisungen unter der Überschrift Persönliche Schutzausrüstung.

Grundlegende Sicherheitsvorschriften

- 1 Behalten Sie die Umgebung im Auge:
 - Um sicherzustellen, dass weder Menschen noch Tiere oder anderes Ihre Kontrolle über das Gerät beeinflussen können.
 - Um zu verhindern, dass Menschen oder Tiere mit der Sägekette in Berührung kommen oder von einem fallenden Baum verletzt werden.

ACHTUNG! Befolgen Sie die oben genannten Punkte, aber benutzen Sie nie eine Motorsäge, ohne die Möglichkeit zu haben, bei einem eventuellen Unfall Hilfe herbeizurufen.

- 2 Vermeiden Sie es, das Gerät bei schlechtem Wetter zu benutzen. Z.B. bei dichtem Nebel, starkem Regen oder Wind, großer Kälte usw. Bei schlechtem Wetter ist das Arbeiten nicht nur ermüdend, es können außerdem gefährliche Arbeitsbedingungen entstehen, z.B. glatter Boden, unberechenbare Fällrichtung des Baumes usw.
- 3 Beim Absägen von kleinen Ästen ist Vorsicht geboten, und das Sägen in Büschen ist zu vermeiden (= viele Äste gleichzeitig). Kleine Äste können nach dem Absägen in der Sägekette hängenbleiben, gegen den Anwender geschleudert werden und schwere Verletzungen verursachen.
- 4 Sicherstellen, dass Sie sicher gehen und stehen können. Achten Sie auf evtl. Hindernisse (Wurzeln, Steine, Äste, Löcher, Gräben usw.), wenn Sie unvermittelt Ihren Standort wechseln. Beim Arbeiten auf abschüssigem Boden immer sehr vorsichtig sein.
- 5 Beim Sägen von Bäumen, die unter Spannung stehen, äußerst vorsichtig sein. Ein unter Spannung stehender Baum kann sowohl vor als auch nach dem Durchsägen in seine normale Stellung zurückschnellen. Wenn Sie an der falschen Stelle stehen oder den Sägeschnitt falsch setzen, könnte der Baum Sie oder das Gerät so treffen, dass Sie die Kontrolle verlieren. Beide Fälle können schwere Verletzungen zur Folge haben.
- 6 Bei Standortwechseln wird die Sägekette mit der Kettenbremse gesichert und der Motor abgestellt. Die Motorsäge mit Führungsschiene und Sägekette nach hinten gerichtet tragen. Bei längeren Wegen und Transporten muss ein Führungsschienenschutz verwendet werden.
- 7 Beim Abstellen der Motorsäge auf den Boden die Sägekette mit der Kettenbremse sichern und das Gerät immer im Auge behalten. Bei längeren Arbeitsunterbrechungen sollte der Motor abgestellt werden.



WARNUNG! Gelegentlich setzt sich Split im Kupplungsdeckel fest, wodurch die Kette blockieren kann. Zur Reinigung grundsätzlich den Motor abstellen.

Grundregeln

- 1 Wenn man verstanden hat, was ein Rückschlag ist und wie er entsteht, kann man das Überraschungsmoment verringern oder beseitigen. Eine Überraschung erhöht die Unfallgefahr. Die meisten Rückschläge sind schwach, einige können jedoch blitzschnell und sehr kraftvoll auftreten.
- 2 Die Motorsäge immer in einem festen Griff halten, mit der rechten Hand am hinteren Handgriff und der linken Hand am vorderen Handgriff. Daumen und Finger sollen die Handgriffe fest umschließen. Alle Anwender, ob Links- oder Rechtshänder, sollen die Handgriffe so greifen. Durch diesen Griff kann man die Rückschlagkraft am besten verringern und gleichzeitig die Kontrolle über die Motorsäge behalten. **Die Handgriffe nicht loslassen!**
- 3 Die meisten Rückschlagunfälle ereignen sich beim Entasten. Der Anwender hat dafür zu sorgen, dass er fest und sicher steht und keine Gegenstände am

Boden liegen, über die er stolpern könnte, so dass er sein Gleichgewicht verliert.

Durch Unachtsamkeit kann der Rückschlagbereich der Führungsschiene einen Ast, einen nahen Baum oder einen anderen Gegenstand berühren und einen Rückschlag auslösen.

Das Werkstück stets beobachten. Sind die gesägten Abschnitte klein und leicht, können sie sich in der Sägekette verfangen und gegen den Bediener geschleudert werden. Auch wenn dies allein nicht immer gefährlich sein muss, können Sie überrascht werden und die Kontrolle über die Säge verlieren. Niemals gestapelte Stämme oder Äste sägen, sondern sie erst auseinander ziehen. Jeweils nur einen Stamm oder einen Abschnitt sägen. Die abgesägten Abschnitte entfernen, um die Sicherheit des Arbeitsbereichs zu bewahren.

- 4 **Die Motorsäge darf niemals über Schulterhöhe benutzt werden, und es ist zu vermeiden, mit der Schienenspitze zu sägen. Die Motorsäge niemals mit nur einer Hand halten und benutzen. (33)**
 - 5 Um Ihre Motorsäge voll unter Kontrolle zu haben, müssen Sie fest und sicher stehen. Arbeiten Sie niemals auf einer Leiter stehend, oben auf einem Baum oder in anderen Positionen, in denen Sie keinen festen Grund unter den Füßen haben, auf dem Sie sicher stehen. **(34)**
 - 6 Immer mit hoher Kettengeschwindigkeit sägen, d.h. mit Vollgas.
 - 7 Beim Sägen mit der Oberseite der Führungsschiene besonders vorsichtig sein, d.h. wenn von der Unterseite des Objekts gesägt wird. Diese Technik wird als Sägen mit schiebender Kette bezeichnet. Die Sägekette schiebt dabei die Motorsäge nach hinten zum Anwender. Bei klammerender Sägekette kann die Motorsäge zurück zum Bediener geschleudert werden.
 - 8 Wenn der Anwender die nach hinten schiebende Kraft der Motorsäge nicht durch seine Körperkraft ausgleicht, besteht die Gefahr, dass die Motorsäge sich so weit nach hinten schiebt, dass nur noch der Rückschlagbereich Kontakt mit dem Baumstamm hat und ein Rückschlag ausgelöst wird. **(35)**
- Das Sägen mit der Unterseite der Führungsschiene, d.h. von der Oberseite des Baumstammes nach unten, wird als Sägen mit ziehender Kette bezeichnet. Die Motorsäge wird zum Baumstamm hingezogen und die Vorderkante des Motorsägenkörpers fungiert als natürliche Stütze am Stamm. Beim Sägen mit ziehender Kette hat der Anwender eine bessere Kontrolle über die Motorsäge und über den Rückschlagbereich der Führungsschiene.
- 9 Die Anweisungen zum Schärfen und Warten der Führungsschiene und Sägekette sind zu befolgen. Beim Auswechseln der Führungsschiene und Sägekette sind nur von uns empfohlene Kombinationen zu verwenden. Siehe die Anweisungen unter den Überschriften Schneidausrüstung und Technische Daten.

Grundlegende Sägetechnik



WARNUNG! Die Motorsäge beim Einsatz niemals nur mit einer Hand halten. Die Motorsäge lässt sich mit nur einer Hand nicht sicher bedienen. Die Griffe stets mit beiden Händen fest und sicher halten.

Allgemeines

- Immer mit Vollgas sägen!
- Nach jedem Sägeschnitt den Motor im Leerlauf laufen lassen (wenn der Motor längere Zeit mit der Höchststrehzahl läuft, ohne belastet zu werden, d.h., wenn der Motor nicht den beim Sägen durch die Sägekette erzeugten Widerstand verspürt, können schwere Motorschäden die Folge sein).
- Von der Oberseite sägen = Mit "ziehender" Kette sägen.
- Von der Unterseite sägen = Mit "schiebender" Kette sägen.

Beim Sägen mit "schiebender" Kette besteht erhöhte Rückschlaggefahr. Siehe die Anweisungen unter der Überschrift Vorbeugende Maßnahmen gegen Rückschlag.

Bezeichnungen

Ablängen = Allgemeine Bezeichnung für das Durchsägen von Baumstämmen.

Entasten = Absägen von Ästen von einem gefällten Baum.

Brechen = Wenn z.B. der Baumstamm bricht, der abgelängt werden soll, bevor der Sägeschnitt vollendet ist.

Vor jeder Ablängung sind fünf wichtige Faktoren zu berücksichtigen.

- 1 Die Schneidausrüstung darf nicht im Sägeschnitt festgeklemmt werden.
- 2 Der Baumstamm darf nicht abbrechen.
- 3 Die Sägekette darf während des Durchsägens und danach weder den Erdboden noch einen anderen Gegenstand berühren.
- 4 Besteht Rückschlaggefahr?
- 5 Haben die Geländestruktur und die Beschaffenheit der Umgebung einen Einfluss darauf, wie sicher Sie gehen und stehen können?

Ob die Sägekette festklemmt oder der Baumstamm bricht, ist von zwei Faktoren abhängig: Wie der Baumstamm vor und nach dem Ablängen gestützt wird und ob er unter Spannung steht.

Das Festklemmen und Brechen kann in den meisten Fällen vermieden werden, in dem in zwei Arbeitsgängen abgelängt wird, d.h. von der Oberseite und von der Unterseite. Es gilt ganz einfach die "Neigung" des Baumstammes zu eliminieren, die Sägekette festzuklemmen oder zu brechen.

WICHTIG! Wenn die Sägekette im Sägeschnitt festklemmt, den Motor abstellen! Nicht versuchen, die Motorsäge mit Gewalt herauszuziehen, weil Verletzungsgefahr durch die Sägekette besteht, wenn die Motorsäge plötzlich freikommt. Einen Hebearm benutzen, um die Motorsäge freizubekommen.

Die nachfolgenden Punkte sind eine theoretische Durchsicht der häufigsten Situationen, in die ein Motorsägenführer geraten kann.

Entasten

Beim Entasten von dickeren Ästen gilt dasselbe Prinzip wie beim Ablängen.

Beschwerliche Äste sind Stück für Stück abzulängen.

Ablängen



WARNUNG! Niemals versuchen, gestapelte oder dicht beieinander liegende Stämme zu sägen. Solches Vorgehen steigert die Rückschlaggefahr und somit das Risiko einer schweren oder lebensgefährlichen Verletzung erheblich.

Bei einem Stapel mit Stämmen ist jeder zu sägende Stamm vom Stapel wegzubewegen, auf einen Sägebock o. Ä. zu legen und einzeln zu sägen.

Die gesägten Abschnitte aus dem Arbeitsbereich entfernen. Wenn sie im Arbeitsbereich liegen bleiben, erhöhen sie sowohl das Risiko für einen versehentlichen Rückschlag als auch die Stolpergefahr beim Arbeiten.

Der Stamm liegt auf dem Erdboden. Es besteht keine Gefahr, dass die Sägekette festklemmt oder der Baumstamm bricht. Es besteht jedoch die Gefahr, dass die Sägekette nach dem Durchsägen den Erdboden berührt.

Von oben durch den ganzen Stamm sägen. Am Ende des Sägeschnittes ist Vorsicht geboten, um zu verhindern, dass die Sägekette den Erdboden berührt. Mit Vollgas weiterarbeiten, aber vorsichtig sein. **(3B)**

Wenn die Möglichkeit vorhanden ist (= kann der Stamm gedreht werden?), sollte der Stamm zu 2/3 durchgesägt werden.

Den Stamm dann drehen, um das restliche Drittel des Stammes von oben durchzusägen.

Der Stamm wird an einem Ende gestützt. Es besteht große Gefahr, dass er bricht.

Zuerst von unten sägen (etwa 1/3 des Stammdurchmessers).

Das Durchsägen von oben beenden, bis die Sägeschnitte aufeinander treffen.

Der Stamm wird an beiden Enden gestützt. Es besteht große Gefahr, dass die Sägekette eingeklemmt wird.

Zuerst von oben sägen (etwa 1/3 des Stammdurchmessers).

Dann von unten sägen, bis die Sägeschnitte aufeinander treffen.

Technik beim Fällen von Bäumen

WICHTIG! Es ist viel Erfahrung erforderlich, um einen Baum zu fällen. Ein unerfahrener Motorsägenanwender sollte keine Bäume fällen. Meiden Sie alle Arbeiten, für die Sie sich nicht ausreichend qualifiziert fühlen!

Sicherheitsabstand

Der Sicherheitsabstand zwischen dem zu fällenden Baum und dem nächstgelegenen Arbeitsplatz soll 2 1/2 Baumlängen betragen. Sorgen Sie dafür, dass sich in

diesem Gefahrenbereich weder vor noch nach dem Fällen jemand aufhält. (37)

Fällrichtung

Beim Bäumefällen ist es wichtig, dass ein Baum nach dem Fällen leicht abzulängen und zu entasten ist. Der Anwender soll in der Nähe des gefällten Stammes sicher gehen und stehen können.

Nachdem sich der Anwender für die Fällrichtung des Baumes entschieden hat, muss er dessen natürliche Fällrichtung beurteilen.

Folgende Faktoren sind dabei zu berücksichtigen:

- Neigung
- Krümmerschaftigkeit
- Windrichtung
- Anordnung der Äste
- Evtl. Schneegewicht
- Hindernisse in Reichweite des Baums: z. B. andere Bäume, Stromleitungen, Straßen und Gebäude.
- Den Stamm auf Schäden und Fäulnis untersuchen; dadurch erhöht sich die Wahrscheinlichkeit, dass der Baum sich löst und fällt, bevor Sie damit rechnen.

Nach Berücksichtigung dieser Faktoren kann der Anwender gezwungen sein, die natürliche Fällrichtung des Baumes zu akzeptieren, da es unmöglich oder zu gefährlich ist, den Baum in die gewünschte Richtung zu fällen.

Ein anderer wichtiger Faktor, der nicht die Fällrichtung, wohl aber die persönliche Sicherheit des Anwenders beeinflusst, ist das Überprüfen des zu fallenden Baumes auf beschädigte oder abgestorbene Äste, die den Anwender während der Fällarbeit verletzen können, wenn sie abbrechen.

Es ist absolut zu vermeiden, dass der fallende Baum sich in einem anderen Baum verfängt. Es ist sehr gefährlich, einen Baum zu entfernen, der sich beim Fällen verfangen hat. Es besteht sehr große Unfallgefahr. Siehe die Anweisungen unter der Überschrift Vorgehen bei einer mißglückten Fällung.

WICHTIG! Bei gefährlichen Arbeitsmomenten beim Fällen sollten die Gehörschützer direkt nach Beendigung des Sägevorgangs hochgeklappt werden, damit Geräusche und Warnsignale wahrgenommen werden können.

Entfernen von Ästen im unteren Stammbereich und Rückzugsweg

Den Stamm bis auf Schulterhöhe entasten. Dabei ist es am sichersten, von oben nach unten zu arbeiten und den Stamm zwischen Körper und Motorsäge zu haben.

Unterholz rund um den Baum entfernen und auf evtl. Hindernisse achten (Steine, Äste, Löcher usw.), so dass ein leichter Rückzugsweg gesichert ist, wenn der Baum zu fallen beginnt. Der Rückzugsweg sollte etwa 135° schräg hinter der geplanten Fällrichtung des Baumes liegen. (38)

- 1 Gefahrenbereich
- 2 Rückzugsweg
- 3 Fällrichtung

Fällen



WARNUNG! Wir raten unerfahrenen Anwendern davon ab, einen Baumstamm mit einer Schienenlänge zu fällen, die kleiner ist als der Stammdurchmesser!

Gefällt wird mit drei Sägeschnitten. Zuerst wird eine Kerbe geschnitten, d.h. ein Schnitt von oben und ein Schnitt von unten, dann wird der eigentliche Fällschnitt gesägt. Wenn diese Sägeschnitte richtig ausgeführt werden, kann man die Fällrichtung sehr genau bestimmen.

Kerbe

Beim Schneiden einer Kerbe beginnt man mit dem Sägeschnitt von oben. Rechts vom Baumstamm stehen und mit ziehender Kette sägen.

Dann einen Sägeschnitt von unten machen, der genau auf den Sägeschnitt von oben trifft. (39)

Die Schnitttiefe der Kerbe soll etwa 1/4 des Stammdurchmessers und der Winkel zwischen dem oberen und unteren Schnitt mindestens 45° betragen.

Der Schnittpunkt der beiden Schnitte wird als Kerbschnittlinie bezeichnet. Die Kerbschnittlinie soll exakt horizontal verlaufen und gleichzeitig einen rechten Winkel (90°) zur Fallrichtung bilden. (40)

Fällschnitt

Der Fällschnitt wird von der anderen Seite des Stammes ausgeführt und muss absolut horizontal verlaufen. Links vom Baumstamm stehen und mit ziehender Kette sägen.

Den Fällschnitt etwa 3-5 cm (1,5-2 Zoll) oberhalb der Horizontalebene des Kerbschnitts anbringen.

Die Rindenstütze (falls montiert) hinter dem Brechmaß ansetzen. Mit Vollgas sägen und mit der Sägekette/ Führungsschiene langsam in den Baumstamm schneiden. Aufpassen, ob sich der Baumstamm entgegengesetzt zur Fällrichtung bewegt. Einen Fällkeil oder einen Fällheber in den Fällschnitt schieben, sobald die Schnitttiefe dies gestattet. (41)

Der Fällschnitt soll parallel zur Kerbschnittlinie abschließen, so dass der Abstand zwischen beiden Schnitten mindestens 1/10 des Stammdurchmessers beträgt. Der nicht durchgesägte Teil des Stamm wird als Brechmaß bezeichnet.

Das Brechmaß funktioniert wie ein Scharnier, das die Richtung des fallenden Baumstammes bestimmt. (42)

Man verliert völlig die Kontrolle über die Fallrichtung des Baumes, wenn das Brechmaß zu klein oder durchgesägt ist oder wenn Kerb- und Fällschnitt an falscher Stelle ausgeführt wurden.

Wenn Kerb- und Fällschnitt ausgeführt sind, soll der Baum von selbst oder mit Hilfe von Fällkeil oder Fällheber fallen.

Wir empfehlen eine Führungsschiene mit einer Länge zu benutzen, die größer ist als der Stammdurchmesser, sodass Kerb- und Fällschnitt mit einem sog. einfachen Sägeschnitt ausgeführt werden können. Siehe die Anweisungen unter der Überschrift Technische Daten hinsichtlich der Schienenlängen, die für Ihr Motorsägenmodell empfohlen werden.

Es gibt Methoden zum Fällen von Bäumen, deren Stammdurchmesser größer ist als die Führungsschielenlänge. Bei solchen Methoden besteht große Gefahr, dass der Rückschlagbereich der Führungsschiene mit einem Gegenstand in Berührung kommt.

Vorgehen bei einer mißglückten Fällung

Herunterholen eines gefällten und festgeklemmten Baumstamms

Es ist sehr gefährlich, einen Baum zu entfernen, der sich beim Fällen verfangen hat. Es besteht sehr große Unfallgefahr.

Niemals den Baum sägen, auf den sich ein anderer gefällter Baum stützt.

Niemals im Gefahrenbereich von hängenden, festgeklemmten Bäumen arbeiten.

Am sichersten ist die Benutzung einer Winde.

- Am Traktor
- Tragbar

Sägen in Baumstämmen und Ästen, die unter Spannung stehen

Vorbereitungen: Versuchen Sie herauszufinden, in welche Richtung die Spannung wirkt und wo die Bruchstelle liegt (= die Stelle, an der das Holz brechen würde, wenn die Spannung zusätzlich erhöht würde).

Überlegen Sie, wie die Spannung am sichersten beseitigt werden kann, und ob Sie dies schaffen. Ist die Situation zu kompliziert, gibt es nur eine sichere Methode nämlich anstelle der Motorsäge eine Winde zu benutzen.

Allgemein gilt:

Stellen Sie sich an eine Stelle, an der Sie nicht Gefahr laufen, getroffen zu werden, wenn der Baumstamm/Ast von der Spannung befreit wird.

Machen Sie einen oder mehrere Sägeschnitte an oder in der Nähe der Bruchstelle. So tief sägen und so viele Schnitte machen wie erforderlich sind, um die Spannung im Baumstamm/Ast so zu lösen, dass der Baumstamm/Ast an der Bruchstelle bricht.

Einen Baumstamm, der unter Spannung steht, nie ganz durchsägen!

Muss der Baum/Ast durchsägt werden, sind zwei oder drei Schnitte im Abstand von 3 cm und mit einer Tiefe von 3-5 cm vorzunehmen.

Fortfahren und tiefer sägen, bis sich die Spannung und Verklemmung des Baums/Astes löst.

Ist die Spannung gelockert, den Baum/Ast von der gegenüberliegenden Seite sägen.

Vorbeugende Maßnahmen gegen Rückschlag



WARNUNG! Ein Rückschlag kann blitzschnell, plötzlich und sehr kraftvoll auftreten. Motorsäge, Führungsschiene und Sägekette können auf den Anwender zu geschleudert werden. Ist die Sägekette in Bewegung, wenn sie den Anwender trifft, können schwere und sogar lebensgefährliche Verletzungen verursacht werden. Deshalb ist es wichtig zu wissen, wie ein Rückschlag verursacht wird, und wie er durch Vorsicht und die richtige Sägetechnik vermieden werden kann.

Was ist ein Rückschlag?

Rückschlag ist die Bezeichnung für eine plötzliche Reaktion, bei der Motorsäge und Führungsschiene von einem Gegenstand zurückprallen, der mit einem Teilstück der Führungsschienspitze in Berührung gekommen ist, dem sogenannten Rückschlagbereich. (43)

Ein Rückschlag ist immer in Richtung der Führungsschiene gerichtet. Am häufigsten erfolgt der Stoß von Motorsäge und Führungsschiene nach oben und nach hinten zum Anwender. Rückschläge erfolgen aber auch in andere Richtungen, je nachdem in welcher Stellung sich die Motorsäge in dem Augenblick befindet, in dem der Rückschlagbereich mit einem Gegenstand in Berührung kommt.

Ein Rückschlag kann nur eintreffen, wenn der Rückschlagbereich einen Gegenstand berührt. (44)

Entasten



WARNUNG! Die meisten Rückschlagunfälle ereignen sich beim Entasten. Nicht den Rückschlaggefahrsektor der Führungsschiene nutzen! Äußerst vorsichtig vorgehen und vermeiden, dass die Führungsschienspitze in Kontakt mit dem Stamm, anderen Ästen oder Gegenständen kommt. Äußerst vorsichtig vorgehen bei unter Spannung stehenden Ästen. Sie können zurückfedern und dazu führen, dass der Bediener die Kontrolle verliert und sich verletzt.

Sorgen Sie dafür, dass Sie sicher gehen und stehen können! Arbeiten Sie von der linken Seite des Stammes aus. Arbeiten Sie so nahe wie möglich an der Motorsäge, dann haben Sie die beste Übersicht. Nach Möglichkeit soll das Gewicht der Säge auf dem Stamm ruhen.

Ändern Sie Ihren Standort nur, wenn sich der Stamm zwischen Ihnen und der Motorsäge befindet.

Ablängen des Stamms in Stammabschnitte

Siehe die Anweisungen unter der Überschrift Grundlegende Sägetechnik.

Allgemeines

Der Bediener darf nur die Wartungs- und Servicearbeiten ausführen, die in dieser Bedienungsanleitung beschrieben sind. Größere Eingriffe sind von einer autorisierten Servicewerkstatt auszuführen.

Vergasereinstellung

Ihr Jonsered-Produkt wurde gemäß Spezifikationen konstruiert und hergestellt, die die schädlichen Abgase reduzieren.

Funktion

- Die Motordrehzahl wird mit Hilfe des Gashebels über den Vergaser geregelt. Im Vergaser werden Luft und Kraftstoff gemischt. Dieses Kraftstoff-Luft-Gemisch ist regulierbar. Nur bei korrekter Einstellung erbringt das Gerät die volle Leistung.
- Mit der Schraube T wird die Position des Gashebels im Leerlauf geregelt. Durch Drehen der Schraube im Uhrzeigersinn wird eine höhere Leerlaufdrehzahl eingestellt, durch Drehen gegen den Uhrzeigersinn eine niedrigere.

Grundeinstellung und Einfahren

Die Grundeinstellung des Vergasers wird beim Probelauf im Werk vorgenommen. Die Feineinstellung ist von einer dafür ausgebildeten, fachkundigen Person auszuführen.

Empf. Leerlaufdrehzahl: Siehe das Kapitel Technische Daten.

Feineinstellung des Leerlaufs

Den Leerlauf mit der Schraube T einstellen. Falls eine Einstellung notwendig ist, bei laufendem Motor die Schraube T im Uhrzeigersinn drehen, bis die Kette mitläuft. Dann wieder herausdrehen (gegen den Uhrzeigersinn), bis die Kette still steht. Die Leerlaufdrehzahl ist richtig eingestellt, wenn der Motor in allen Positionen gleichmäßig läuft und noch eine gute Spanne bis zu der Drehzahl besteht, bei der sich die Kette zu drehen beginnt.



WARNUNG! Wenn sich die Leerlaufdrehzahl nicht so einstellen lässt, dass die Kette stehenbleibt, eine Servicewerkstatt aufsuchen. Die Motorsäge erst wieder verwenden, wenn sie korrekt eingestellt oder repariert worden ist.

Kontrolle, Wartung und Service der Sicherheitsausrüstung der Motorsäge

Hinweis! Für alle Service- und Reparaturarbeiten am Gerät ist eine spezielle Ausbildung erforderlich. Dies gilt besonders für die Sicherheitsvorrichtungen des Geräts. Besteht das Gerät eine der nachstehend aufgeführten Kontrollen nicht, empfehlen wir, eine Servicewerkstatt aufzusuchen. Alle Wartungsmaßnahmen, die in dieser Anweisung nicht erwähnt sind, müssen von einem Service-Fachhändler ausgeführt werden.

Vor Reparatur oder Wartung den Motor abstellen und das Zündkabel lösen

Kettenbremse mit Handschutz

Kontrolle der Bremsbandabnutzung

Reinigen Sie die Kettenbremse und Kupplungstrommel von Spänen, Harz und Schmutz. Verschmutzung und Abnutzung beeinträchtigen die Bremsfunktion. (45)

Regelmäßig kontrollieren, ob die Bremsbanddicke an der am stärksten abgenutzten Stelle noch mindestens 0,6 mm beträgt.

Kontrolle des Handschutzes

Kontrollieren, ob der Handschutz unbeschädigt ist, er darf keine sichtbaren Defekte wie z.B. Risse aufweisen.

Den Handschutz nach vorn und wieder zurück führen, um zu kontrollieren, ob er sich leicht bewegen lässt und an seinem Gelenk im Kupplungsdeckel fest verankert ist. (46)

Kontrolle der Trägheitsfunktion

Die Motorsäge mit abgeschaltetem Motor über einen Baumstumpf oder einen anderen stabilen Gegenstand halten. Vorderen Handgriff loslassen und die Motorsäge durch ihr eigenes Gewicht auf den Baumstumpf fallen lassen, mit einer Drehung um den hinteren Handgriff.

Wenn die Schienenspitze den Stubben trifft, soll die Bremse auslösen. (47)

Kontrolle der Bremswirkung

Die Motorsäge auf stabilem Untergrund abstellen und starten. Dafür sorgen, dass die Sägekette nicht mit dem Erdboden oder einem anderen Gegenstand in Berührung kommt. Siehe die Anweisungen unter der Überschrift Starten und Stoppen.

Halten Sie die Motorsäge mit festem Griff, in dem Sie die Handgriffe fest mit Daumen und Fingern umschließen.

Geben Sie Vollgas und betätigen Sie die Kettenbremse, in dem Sie das linke Handgelenk gegen den Handschutz drehen. Lassen Sie den vorderen Handgriff nicht los. **Die Kette soll sofort stoppen.**

Gashebelsperre

- Kontrollieren, ob der Gashebel in Leerlaufstellung gesichert ist, wenn sich die Gashebelsperre in Ausgangsstellung befindet.

- Die Gashebelsperre eindrücken und kontrollieren, ob sie in die Ausgangsstellung zurückkehrt, wenn sie losgelassen wird.
- Kontrollieren, ob Gashebel und Gashebelsperre mit dem dazugehörigen Rückzugfedersystem leicht funktionieren.
- Die Motorsäge starten und Vollgas geben. Gashebel loslassen und kontrollieren, ob die Kette stoppt und still stehenbleibt. Dreht sich die Kette, wenn der Gashebel in Leerlaufstellung steht, muss die LeerlaufEinstellung des Vergasers kontrolliert werden.

Kettenfänger

Kontrollieren, ob der Kettenfänger unbeschädigt ist und im Motorsägenkörper fest sitzt.

Rechtshandschutz

Kontrollieren, ob der Rechtshandschutz sich in einwandfreiem Zustand befindet und keine sichtbaren Defekte wie z.B. Risse aufweist.

Antivibrationssystem

Die Antivibrationselemente regelmäßig auf Risse und Verformungen überprüfen.

Kontrollieren, ob die Antivibrationselemente zwischen Motoreinheit und Handgriffeinheit fest verankert sind.

Stoppsschalter

Den Motor starten und kontrollieren, ob der Motor stoppt, wenn der Stoppsschalter in Stoppstellung geführt wird.

Schalldämpfer

Niemals ein Gerät mit defektem Schalldämpfer benutzen. Regelmäßig kontrollieren, ob der Schalldämpfer fest am Gerät montiert ist.

Hinweis: Das Funkenfängernetz (A) dieser Maschine ist austauschbar. **(48)** Weist das Netz Schäden auf, muss es ausgewechselt werden. Bei verschmutztem Netz wird das Gerät überhitzt, was zu Schäden an Zylinder und Kolben führt. Verwenden Sie Ihr Gerät nicht, wenn der Schalldämpfer in schlechtem Zustand ist. **Benutzen Sie keinen Schalldämpfer ohne oder mit defektem Funkenfängernetz.**

Ein normaler Heimwerker braucht den Schalldämpfer und das Funkenfängernetz nicht auszutauschen.

Luftfilter

Luftfilter regelmäßig von Staub und Schmutz reinigen, zur Vermeidung von:

- Vergaserstörungen
- Startschwierigkeiten
- Leistungsminderung
- Unnötigem Verschleiß der Motorteile.
- Unnormal hohem Kraftstoffverbrauch.
- Der Luftfilter wird (3) ausgebaut, nachdem Zylinderdeckel, Schraube (1) und Luftfilterdeckel (2) entfernt wurden. Beim Wiedereinbau darauf achten, dass der Luftfilter völlig dicht am Filterhalter anliegt. Filter ausschütteln oder abbürsten. **(49)**

Eine gründlichere Reinigung erfolgt durch Auswaschen des Filters in Seifenwasser.

Ein Luftfilter, der längere Zeit verwendet wurde, wird nie vollkommen sauber. Der Luftfilter ist daher in regelmäßigen Abständen auszuwechseln. **Beschädigte Filter sind immer auszuwechseln.**

Zündkerze

Der Zustand der Zündkerze wird durch folgende Faktoren verschlechtert:

- Falsch eingestellter Vergaser.
- Falsche Ölmenge im Kraftstoff (zuviel Öl oder falsche Ölsorte).
- Verschmutzter Luftfilter.

Diese Faktoren verursachen Beläge an den Elektroden der Zündkerze und können somit zu Betriebsstörungen und Startschwierigkeiten führen.

Bei schwacher Leistung, wenn das Gerät schwer zu starten ist oder im Leerlauf ungleichmäßig läuft, immer zuerst die Zündkerze prüfen, bevor andere Maßnahmen eingeleitet werden. Ist die Zündkerze verschmutzt, so ist sie zu reinigen; gleichzeitig ist zu prüfen, ob der Elektrodenabstand 0,5 mm beträgt. Die Zündkerze ist nach ungefähr einem Monat in Betrieb oder bei Bedarf öfter auszuwechseln. **(50)**

Hinweis! Stets den vom Hersteller empfohlenen Zündkerzentyp verwenden! Eine ungeeignete Zündkerze kann Kolben und Zylinder zerstören. Dafür sorgen, dass die Zündkerze eine sog. Funkenstörung hat.

Wartungsschema

Nachstehend sind die an der Maschine vorzunehmenden Wartungsmaßnahmen aufgelistet. Die meisten der Punkte werden im Abschnitt "Wartung" beschrieben.

Tägliche Wartung (alle 5–10 h)	Wöchentliche Wartung (alle 10–25 h)	Monatliche Wartung (alle 25–40 h)
Das Gerät äußerlich reinigen.	Die Startvorrichtung, ihr Startseil und die Rückzugfeder kontrollieren.	Bremsband an der Kettenbremse auf Verschleiß kontrollieren. Austauschen, wenn weniger als 0,6 mm an der am stärksten verschlissenen Stelle vorhanden ist.
Die Bestandteile des Gashebels Teile auf Funktionssicherheit prüfen. (Gassperre und Gashebel).	Die Vibrationsdämpfer auf Beschädigung überprüfen.	Kupplungszentrum, Kupplungstrommel und Kupplungsfeder auf Verschleiß überprüfen.
Kettenbremse reinigen und auf Funktionssicherheit prüfen. Den Kettenfänger auf Beschädigungen hin kontrollieren, bei Bedarf austauschen.	Falls erforderlich, Grate an den Schienenseiten planfeilen.	Zündkerze reinigen. Elektrodenabstand prüfen und ggf. auf 0,5 mm einstellen.
Die Schiene täglich wenden, damit sie gleichmäßig abgenutzt wird. Das Schmierungsloch in der Schiene kontrollieren; es darf nicht verstopft sein. Die Kettennut reinigen. Bei Schienen mit Umlenkstern den Stern schmieren.	Vergaserraum reinigen.	Vergaser äußerlich reinigen.
Kontrollieren, ob Schiene und Kette ausreichend mit Öl versorgt werden.	Luftfilter reinigen. Bei Bedarf austauschen.	Kraftstofffilter und -schlauch kontrollieren. Bei Bedarf austauschen.
Die Sägekette in Bezug auf sichtbare Risse in Nieten und Gliedern untersuchen, ob die Kette steif ist oder Nieten und Glieder außergewöhnlichen Verschleiß aufweisen. Bei Bedarf austauschen.		Kraftstofftank leeren und innen reinigen.
Kette schärfen und auf Spannung und Zustand prüfen. Kettenantriebsrad auf Verschleiß kontrollieren, bei Bedarf austauschen.		Öltank leeren und innen reinigen.
Den Lufteinlass der Startvorrichtung reinigen.		Alle Kabel und Anschlüsse kontrollieren.
Schrauben und Muttern nachziehen.		
Die Funktion des Stoppschalters kontrollieren.		
Sicherstellen, dass von Motor, Tank oder Kraftstoffleitungen kein Kraftstoff ausläuft.		

Technische Daten

	CS 2234	CS 2238
Motor		
Hubraum, cm ³	38	38
Hublänge, mm	32	32
Leerlaufdrehzahl, U/min	3000	3000
Leistung, kW	1,4/9000	1,5/9000
Zündanlage		
Zündkerze	Champion RCJ 7Y	Champion RCJ 7Y
Elektrodenabstand, mm	0,5	0,5
Kraftstoff- und Schmiersystem		
Kraftstofftank, Volumen, Liter	0,3	0,3
Leistung der Ölpumpe bei 8500 U/min, ml/min	7	7
Öltank, Volumen, Liter	0,19	0,19
Ölpumpe, Typ	Automatisch	Automatisch
Gewicht		
Motorsäge ohne Führungsschiene und Kette und mit leeren Tanks, kg	4,7	4,7
Geräuschemissionen (siehe Anmerkung 1)		
Gemessene Schalleistung dB(A)	115	115
Garantierte Schalleistung L _{WA} dB(A)	118	118
Lautstärke (siehe Anmerkung 2)		
Äquivalenter Schalldruckwert am Ohr des Bedieners, dB (A)	100,6	100,6
Äquivalente Vibrationspegel, a_{hveq} (siehe Anmerkung 3)		
Vorderer Handgriff, m/s ²	3,7	3,7
Hinterer Handgriff, m/s ²	5,1	5,1
Kette und Schiene		
Standard-Führungsschiene, Zoll/cm	14/35, 16/40	14/35, 16/40
Empfohlene Schienenlängen, Zoll/cm	14/35, 16/40	14/35, 16/40
Effektive Schnittlänge, Zoll/cm	13,5/34, 15,5/39	13,5/34, 15,5/39
Teilung, Zoll/mm	3/8 / 9,52	3/8 / 9,52
Dicke der Treibglieder, Zoll/mm	0,050/1,3	0,050/1,3
Antriebsradtyp/Anzahl Zähne	6	6
Kettengeschwindigkeit bei Vollgas, m/s	17,1	17,1

Anmerkung 1: Umweltbelastende Geräuschemission gemessen als Schalleistung (L_{WA}) gemäß EG-Richtlinie 2000/14/EG.


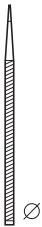
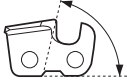
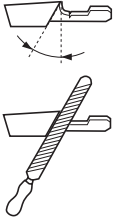

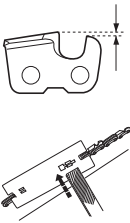
Anmerkung 2: Äquivalente Schalldruckpegel, nach der ISO-Norm ISO 22868, werden berechnet als die zeitgewichtete energetische Summe der Schalldruckpegel bei verschiedenen Betriebsarten. Die typische Ausbreitungsklasse für einen äquivalenten Schalldruckpegel ist eine standardmäßige Ausbreitung von 1 dB (A).

Anmerkung 3: Äquivalente Vibrationspegel, nach der ISO-Norm ISO 22867, werden berechnet als die zeitgewichtete energetische Summe der Vibrationspegel bei verschiedenen Betriebsarten. Berichten zufolge liegt der äquivalente Vibrationspegel normalerweise bei einer Ausbreitungsklasse (Standardabweichung) von 1 m/s².

Führungsschienen- und Kettenkombinationen

Die nachfolgend aufgeführten Schneidausrüstungen werden für die Modelle Jonsered CS2234 und CS2238 empfohlen.

Führungsschiene				Sägekette	
Länge, Zoll	Teilung, Zoll	Nutbreite, mm	Max. Anzahl Zähne des Umlenksterns	Typ	Länge, Treibglieder (st)
14	3/8	1,3	7T	Jonsered H37	52
16	3/8		7T		56
18	3/8		7T		62

					
	inch/mm				inch/mm
H37	5/32/4,0	80°	30°	0°	0.025/0,65

EG-Konformitätserklärung

(nur f r Europa)

Wir, **Husqvarna AB**, SE-561 82 Huskvarna, Schweden, Tel. +46-36-146500, erklären hiermit unsere alleinige Haftung dafür, dass die Motorsägen der Modelle **Jonsered CS 2234 und CS 2238**, auf die sich diese Erklärung bezieht, von den Seriennummern des Baujahrs 2009 an (die Jahreszahl wird im Klartext auf dem Typenschild angegeben, mitsamt einer nachfolgenden Seriennummer) den Vorschriften folgender RICHTLINIE DES RATES entsprechen:

- vom 17. Mai 2006 „Maschinen-Richtlinie“ **2006/42/EG**
- vom 15. Dezember 2004 "über elektromagnetische Verträglichkeit" **2004/108/EWG**.
- vom 8. Mai 2000 "über umweltbelastende Geräuschemissionen von zur Verwendung im Freien vorgesehenen Geräten und Maschinen" **2000/14/EG**.

Für Information betreffend die Geräuschemissionen, siehe das Kapitel Technische Daten. Folgende Normen wurden angewendet: **EN ISO 12100-2:2003, CISPR 12:2001, EN ISO 11681-1:2004**

Die angemeldete Prüfstelle: **0404, SMP Svensk Maskinprovning AB**, Fyrisborgsgatan 3, SE-754 50 Uppsala, Schweden, hat die EG-Typenprüfung gemäß Artikel 12, Punkt 3b der Maschinen-Richtlinie (2006/42/EG) ausgeführt. Die Prüfnachweise über die EG-Typenprüfung gemäß Anlage IX haben die Nummern: **0404/09/2048**.

Weiterhin hat SMP Svensk Maskinprovning AB, Fyrisborgsgatan 3, SE-754 50 Uppsala, Schweden, die Übereinstimmung mit der Anlage V zur Richtlinie des Rates vom 8. Mai 2000 "über umweltbelastende Geräuschemissionen von zur Verwendung im Freien vorgesehenen Geräten und Maschinen" 2000/14/EG bestätigt. Die Prüzfertifikate haben die Nummern: - CS 2234, **26/161/004** - CS 2238.

Die gelieferte Motorsäge entspricht dem Exemplar, das der EG-Typenprüfung unterzogen wurde.

Huskvarna, den 29. Dezember 2009



Ronnie E. Goldman, Technischer Direktor. P(Bevollmächtigter Vertreter für Husqvarna AB, verantwortlich für die technische Dokumentation).

Beste klant!

Gefeliciteerd met de aankoop van een Jonsered-product!

We zijn ervan overtuigd dat u de kwaliteit en prestaties van ons product gedurende een lange periode naar volle tevredenheid zult waarderen. Door de aankoop van één van onze producten krijgt u de beschikking over professionele hulp bij reparaties en service mocht er toch iets gebeuren. Wanneer u de machine niet heeft gekocht bij een van onze erkende dealers, kunt u hen vragen naar de dichtstbijzijnde servicewerkplaats.

Wij hopen dat u tevreden zult zijn met uw machine en dat deze u gedurende lange tijd zal vergezellen. Denk erom dat deze gebruiksaanwijzing een waardevol document is. Door de inhoud (gebruik, service, onderhoud enz.) te volgen kunt u de levensduur van uw machine én de tweedehands waarde aanzienlijk verlengen. Mocht u uw machine verkopen moet u ervoor zorgen de gebruiksaanwijzing aan de nieuwe eigenaar over te dragen.

Succes met het gebruik van uw Jonsered-product!

Jonsered werkt voortdurend aan het verder ontwikkelen van haar producten en houdt zich dan ook het recht voor om zonder aankondiging vooraf wijzigingen in o.a. vorm en uiterlijk door te voeren.

Symbolen op de machine:

WAARSCHUWING!

Motorkettingzagen kunnen gevaarlijk zijn! Slordig of onjuist gebruik kan resulteren in ernstig letsel of overlijden van de gebruiker of anderen.

Neem de gebruiksaanwijzing grondig door en gebruik de machine niet voor u alles duidelijk heeft begrepen.

Draag altijd:

- Goedgekeurde veiligheidshelm
- Goedgekeurde gehoorbeschermers
- Veiligheidsbril of vizier

Dit product voldoet aan de geldende CE-richtlijnen.

Geluidsemisatie naar de omgeving volgens de richtlijnen van de Europese Gemeenschap. De emissie van de machine wordt aangegeven in het hoofdstuk Technische gegevens en op plaatjes.

De gebruiker moet steeds beide handen gebruiken om de kettingzaag te bedienen.

Bedien een kettingzaag nooit terwijl u deze slechts met één hand vasthoudt.

Vorkom dat de punt van het zaagblad in contact komt met enig voorwerp.

WAARSCHUWING! Er kan terugslag optreden wanneer de punt van het zaagblad in contact komt met een voorwerp en een reactie veroorzaken waardoor het zaagblad omhoog en naar achteren naar de gebruiker toe komt. Dit kan ernstig persoonlijk letsel veroorzaken.

Kettingrem geactiveerd (links) Kettingrem, niet geactiveerd (rechts)

Overige op de machine aangegeven symbolen/plaatjes verwijzen naar specifieke eisen aan certificering op bepaalde markten.



Wat is wat op de motorkettingzaag? (1)

- 1 Informatie- en waarschuwingsplaatje
- 2 Cilinderkap
- 3 Brandstofpomp
- 4 Starthendel
- 5 Chokehendel/Startgasvergrendeling
- 6 Stopschakelaar (In- en uitschakelen van ontsteking.)
- 7 Achterste handvat
- 8 Brandstoftank
- 9 Stelschroeven carburateur
- 10 Starter
- 11 Kettingolietank
- 12 Product- en serienummerplaatje
- 13 Gashendelvergrendeling (Voorkomt ongewild gas geven.)
- 14 Voorste handvat
- 15 Terugslagbeveiliging
- 16 Geluiddemper
- 17 Zaagblad
- 18 Neuswiel
- 19 Ketting
- 20 Schorssteen
- 21 Kettingvanger
- 22 Kettingspannerschroef
- 23 Koppelingdeksel
- 24 Achterhandgreep met rechterhandbescherming
- 25 Gashendel
- 26 Gebruiksaanwijzing
- 27 Combisleutel
- 28 Zaagbladbescherming

Inhoud

INLEIDING	
Beste klant!	445
Symbolen op de machine:	445
Wat is wat op de motorkettingzaag?	446
INHOUD	
Inhoud	446
ALGEMENE VEILIGHEIDSIINSTRUCTIES	
Maatregelen voor gebruik van een nieuwe motorkettingzaag	447
Belangrijk	447
Gebruik altijd uw gezond verstand.	447
Persoonlijke veiligheidsuitrusting	448
Veiligheidsuitrusting van de machine	448
Snijuitrusting	450
MONTEREN	
Monteren van zaagblad en ketting	453
BRANDSTOFHANTERING	
Brandstof	454
Tanken	454
Brandstofveiligheid	455
STARTEN EN STOPPEN	
Starten en stoppen	455
ARBEIDSTECHNIEK	
Voor ieder gebruik:	456
Algemene werkinstructies	456
Maatregelen die terugslag voorkomen	460
ONDERHOUD	
Algemeen	460
Carburateurinstelling	460
Controle, onderhoud en service van de veiligheidsuitrusting van de motorkettingzaag	461
Geluiddemper	461
Luchtfilter	462
Bougie	462
Onderhoudsschema	463
TECHNISCHE GEGEVENS	
Technische gegevens	464
Zaagblad- en kettingcombinaties	465
EG-verklaring van overeenstemming	465

Maatregelen voor gebruik van een nieuwe motorkettingzaag

- Lees de gebruiksaanwijzing zorgvuldig door.
- **(1) - (51)** verwijst naar illustraties op blz. 2-5.
- Controleer de montage en de afstelling van de snijuitrusting. Zie de instructies in het hoofdstuk Monteren.
- Tank en start de motorzaag. Zie de instructies in de hoofdstukken Brandstofhantering en Starten en Stoppen.
- Gebruik de motorkettingzaag niet voor er voldoende kettingsmeerolie bij de zaagketting is gekomen. Zie de instructies in het hoofdstuk Smeren van de snijuitrusting.
- Langdurige blootstelling aan lawaai kan leiden tot permanente gehoorbeschadiging. Gebruik daarom altijd goedgekeurde gehoorbescherming.



WAARSCHUWING! De oorspronkelijke vormgeving van de machine mag in geen enkel geval gewijzigd worden zonder toestemming van de fabrikant. Men moet altijd originele onderdelen gebruiken. Niet goedgekeurde wijzigingen en/of niet-originele onderdelen kunnen tot ernstige verwondingen of de dood van zowel gebruiker als omstanders leiden.



WAARSCHUWING! Als motorkettingzagen slordig of verkeerd gebruikt worden, kunnen ze gevaarlijk gereedschap zijn en tot ernstige, zelfs levensgevaarlijke verwondingen leiden. Het is erg belangrijk dat u deze gebruiksaanwijzing leest en begrijpt.



WAARSCHUWING! De binnenkant van de geluiddemper bevat chemicaliën die kankerwekkend kunnen zijn. Vermijd contact met deze elementen wanneer de carburateur is beschadigd.



WAARSCHUWING! Langdurige inademing van de uitlaatgassen van de motor, kettingolienevel en stof van zaagsel kan een gezondheidsrisico vormen.



WAARSCHUWING! Deze machine produceert tijdens bedrijf een elektromagnetisch veld. Dit veld kan onder bepaalde omstandigheden de werking van actieve of passieve medische implantaten verstoren. Om het risico op ernstig of fataal letsel te beperken, raden we personen met een medisch implantaat aan om contact op te nemen met hun arts en de fabrikant van het medische implantaat voordat ze deze machine gaan bedienen.

Belangrijk

BELANGRIJK!

De machine is alleen gemaakt om in hout te zagen. U mag alleen de zaagblad/zaagkettingcombinaties gebruiken, die wij aanbevelen in het hoofdstuk Technische gegevens.

Gebruik de machine nooit als u moe bent, alcohol heeft gedronken of medicijnen heeft ingenomen, die uw gezichtsvermogen, beoordelingsvermogen of coördinatievermogen kunnen beïnvloeden.

Draag altijd persoonlijke veiligheidsuitrusting. Zie instructies in het hoofdstuk Persoonlijke veiligheidsuitrusting.

Wijzig deze machine nooit zo dat hij niet langer overeenstemt met de originele uitvoering, en gebruik de machine niet als u denkt dat anderen hem hebben gewijzigd.

Gebruik nooit een machine die defect is. Volg de onderhouds-, controle- en service-instructies van deze gebruiksaanwijzing. Bepaalde onderhouds- en servicemaatregelen moeten uitgevoerd worden door opgeleide en gekwalificeerde specialisten. Zie instructies in het hoofdstuk Onderhoud.

Gebruik uitsluitend de in deze gebruiksaanwijzing aanbevolen accessoires. Zie instructies in de hoofdstukken Snijuitrusting en Technische gegevens.

N.B.! Gebruik altijd een beschermingsbril of gezichtsvizier om het risico van verwonding door wegvliegende voorwerpen te verminderen. Een motorzaag is in staat om met grote kracht voorwerpen, zoals zaagsel, kleine stukjes hout enz., weg te slingeren. Dit kan leiden tot ernstig letsel, vooral aan ogen.



WAARSCHUWING! Een motor laten lopen in een afgesloten of slecht geventileerde ruimte kan dodelijke ongelukken veroorzaken door verstikking of koolmonoxidevergiftiging.



WAARSCHUWING! Een verkeerde snijuitrusting of een verkeerde zaagblad/kettingcombinatie verhoogt het risico op terugslag! Gebruik uitsluitend de zaagblad/kettingcombinaties die wij aanbevelen, en volg de vijlinstructie. Zie de instructies in het hoofdstuk Technische gegevens.

Gebruik altijd uw gezond verstand. (2)

Het is onmogelijk om alle denkbare situaties, waarvoor u zich geplaatst kunt zien bij het gebruik van een motorzaag, af te dekken. Wees altijd voorzichtig en gebruik gezond verstand. Vermijd situaties, waarvoor u zich niet voldoende gekwalificeerd acht. Wanneer u zich, na het lezen van deze instructies, nog steeds onzeker voelt over de handelwijze, moet u een expert om advies vragen voor u verdergaat. Aarzel niet om contact op te nemen met uw dealer of met ons, wanneer u vragen heeft over het

ALGEMENE VEILIGHEIDSINSTRUCTIES

gebruik van motorzagen. We zijn u graag van dienst om u adviezen te geven, die u helpen uw motorzaag op een betere en veiliger manier te gebruiken. Volg een opleiding in het gebruik van motorzagen. Uw dealer, bosbouwschool of uw bibliotheek kunnen u vertellen welk opleidingsmateriaal en welke cursussen beschikbaar zijn. Er wordt voortdurend gewerkt aan het verbeteren van design en techniek - verbeteringen waardoor uw veiligheid en effectiviteit toenemen. Breng regelmatig een bezoek aan uw dealer om te zien welk nut u kunt hebben van de noviteiten die worden geïntroduceerd.

Persoonlijke veiligheidsuitrusting



WAARSCHUWING! Het grootste gedeelte van de ongevallen met motorkettingzagen gebeurt wanneer de ketting de gebruiker raakt. Bij al het gebruik van de machine moet goedgekeurde persoonlijke beschermingsuitrusting gebruikt worden. Persoonlijke beschermingsuitrusting elimineert de risico's niet, maar vermindert het schadelijk effect in geval van een ongeval. Vraag uw dealer om raad wanneer u uw uitrusting koopt.

- Goedgekeurde veiligheidshelm
- Gehoorbeschermers
- Veiligheidsbril of vizier
- Handschoenen met zaagbescherming
- Broeken met zaagbescherming
- Laarzen met zaagbescherming, stalen neus en anti-slip zool
- U moet altijd een EHBO-kit bij de hand hebben.
- Brandblusser en spa

Verder moet de kleding goed aansluiten zonder u in uw bewegingen te belemmeren.

BELANGRIJK! Er kunnen vonken komen van de geluidtemper, zaagblad en ketting of een andere bron. Houd altijd een hulpmiddel voor brandblussen beschikbaar, voor het geval u ze nodig mocht hebben. Op die manier helpt u bosbranden voorkomen.

Veiligheidsuitrusting van de machine

In dit hoofdstuk wordt uitgelegd wat de veiligheidsonderdelen van de machine zijn, en hun functie. Voor controle en onderhoud zie de instructies in het hoofdstuk Controle, onderhoud en service van de veiligheidsuitrusting van de motorzaag. Zie de instructies in het hoofdstuk Wat is wat?, om te zien waar deze onderdelen zich bevinden op uw machine.

De levensduur van de machine kan worden verkort en het risico van ongelukken kan toenemen wanneer het onderhoud aan de machine niet op de juiste manier wordt uitgevoerd en wanneer service en/of reparaties niet vakkundig worden gedaan. Indien u meer informatie

nodig heeft, verzoeken wij u contact op te nemen met de dichtstbijzijnde servicewerkplaats.



WAARSCHUWING! Gebruik de machine nooit wanneer de veiligheidsuitrusting defect is. De veiligheidsuitrusting moet worden gecontroleerd en onderhouden. Zie de instructies in het hoofdstuk Controle, onderhoud en service van de veiligheidsuitrusting van de motorzaag. Als uw machine niet door alle controles komt, moet u ermee naar uw servicewerkplaats voor reparatie.

Kettingrem met terugslagbeveiliging

Uw motorzaag is voorzien van een kettingrem, die de ketting in geval van terugslag stopt. Een kettingrem vermindert het risico op ongevallen, maar alleen u als gebruiker kunt ze voorkomen.

Wees voorzichtig wanneer u de motorkettingzaag gebruikt en zorg ervoor dat de terugslagrisico-sector van het zaagblad nooit in contact komt met een voorwerp.

- De kettingrem (A) wordt of handmatig geactiveerd (via uw linkerhand) of met het traagheidsmechanisme. **(3)**
- Het activeren vindt plaats wanneer de terugslagbeveiliging (B) naar voren wordt geduwd. **(3)**
- Deze beweging activeert een met een veer gespannen mechanisme dat de remvoering (C) rond het kettingaandrijvingsstelsel van de motor (D) (koppelingtrommel) spant. **(4)**
- De terugslagbeveiliging werd niet alleen geconstrueerd om de kettingrem te activeren. Een andere belangrijke functie is dat ze het risico vermindert dat de linkerhand de ketting raakt wanneer men de greep op het voorste handvat verliest.
- De kettingrem moet geactiveerd zijn wanneer u de motorzaag start, om te voorkomen dat de ketting draait.
- Gebruik de kettingrem als 'parkeerrem' bij starten en bij kortere verplaatsingen, om ongelukken te voorkomen waarbij gebruikers of omgeving onvrijwillig in contact komen met een bewegende zaagketting.
- De ketting wordt ontkoppeld door de terugslagbeveiliging naar achter te duwen, naar het voorste handvat.
- Een terugslag kan bliksemsnel gebeuren en erg krachtig zijn. Meestal is de terugslag erg licht en wordt de kettingrem niet altijd geactiveerd. In die gevallen is het belangrijk dat men de motorkettingzaag stevig vasthoudt en niet laat vallen.
- Hoe de kettingrem geactiveerd wordt, manueel of via het traagheidsmechanisme, wordt bepaald door de sterkte van de terugslag en door de positie van de motorkettingzaag in verhouding tot het voorwerp waarmee de terugslagrisico-sector in contact komt. Bij hevige terugslag en wanneer de terugslagrisico-sector van de motorkettingzaag zich zo ver mogelijk van de gebruiker bevindt, is de kettingrem zo geconstrueerd, dat hij wordt geactiveerd via het tegenwicht van de kettingrem (traagheid) in de terugslagrichting.

Bij minder hevige terugslag en wanneer de terugslagrisico-sector van de motorkettingzaag zich dichterbij de gebruiker bevindt, wordt de kettingrem manueel geactiveerd met de linkerhand.

- Bij verstand is de linkerhand in een stand, waardoor het onmogelijk is de kettingrem handmatig te activeren. Bij deze greep, d.w.z. wanneer de linkerhand zo geplaatst is dat ze de beweging van de terugslagbeveiliging niet kan beïnvloeden, kan de kettingrem uitsluitend geactiveerd worden via het traagheidsmechanisme.

Zal mijn hand de kettingrem bij terugslag altijd activeren?

Nee. Er is een zekere kracht voor nodig om de terugslagbeveiliging naar voren te bewegen. Als uw hand de terugslagbeveiliging slechts licht beroert of eroverheen gaat, kan het gebeuren dat de kracht niet voldoende groot is om de kettingrem te activeren. Ook wanneer u werkt, moet u de handgrepen van de motorzaag stevig beet houden. Als u dat doet en u krijgt terugslag, laat u misschien nooit uw hand los van de voorhandgreep en activeert u de kettingrem niet, of de kettingrem wordt pas geactiveerd wanneer de zaag al eventjes heeft kunnen rondslingeren. In zo'n situatie kan het voorkomen dat de kettingrem de ketting niet kan stoppen voor deze u raakt.

Er zijn ook bepaalde werkhoudingen waardoor uw hand niet bij de terugslagbeveiliging kan om de kettingrem te activeren, bijv. wanneer de zaag in velpositie wordt gehouden.

Zal de kettingrem altijd door de traagheid worden geactiveerd, wanneer terugslag optreedt?

Nee. Ten eerste moet uw rem functioneren. Het is makkelijk de rem te testen, zie de instructies in het hoofdstuk Controle, onderhoud en service van de veiligheidsuitrusting van de motorzaag. Wij raden aan dat u dit doet, iedere keer voor u begint te werken. Ten tweede moet de terugslag voldoende sterk zijn om de kettingrem te activeren. Als de kettingrem gevoelig zou zijn, zou deze voortdurend worden geactiveerd, wat lastig zou zijn.

Zal de kettingrem me altijd beschermen tegen letsel als terugslag voorkomt?

Nee. Ten eerste moet uw rem functioneren om de bedoelde bescherming te geven. Ten tweede moet hij zo worden geactiveerd als hierboven beschreven, om de zaagketting bij terugslag te stoppen. Ten derde kan de kettingrem worden geactiveerd, maar wanneer het zaagblad te dicht bij u is, kan het gebeuren dat de rem niet op tijd afgeremd is om de ketting te stoppen voor de motorzaag u raakt.

Alleen uzelf en een juiste arbeidstechniek kunnen terugslag en de bijbehorende risico's elimineren.

Gashendelvergrendeling

De gashendelvergrendeling is geconstrueerd om onopzettelijke activering van de gashendel te voorkomen. Wanneer de vergrendeling (A) in het handvat wordt gedrukt (= wanneer men het handvat vasthoudt) wordt de

gashendel ontkoppeld (B). Wanneer men het handvat loslaat, gaan zowel de gashendel als de gashendelvergrendeling terug naar hun respectievelijke beginposities. Deze positie houdt in dat de gashendel automatisch vergrendeld wordt op stationair draaien. (5)

Kettingvanger

De kettingvanger is geconstrueerd om een losgeraakte of gebarsten ketting op te vangen. Dit kan meestal voorkomen worden door de ketting juist aan te spannen (zie instructies in het hoofdstuk Monteren) en voor goed onderhoud en service van het zaagblad en de ketting te zorgen (zie de instructies in het hoofdstuk Algemene werkinstructies).

Rechterhandbescherming

De rechterhandbescherming moet er behalve de hand beschermen wanneer de ketting losraakt of breekt, ook voor zorgen dat de takken en twijgen de grip op het achterste handvat niet beïnvloeden.

Trillingdempingssysteem

Uw machine is uitgerust met een trillingdempingssysteem dat geconstrueerd is om zo trillingvrij en comfortabel mogelijk met de zaag te kunnen werken.

Het trillingdempingssysteem van de machine reduceert het overbrengen van de trillingen van de motoreenheid/snijuitrusting op de handvateenheid van de machine. Het motorzaaghuis inclusief de snijuitrusting is via een zogenaamd trillingdempend element opgehangen in de handvateenheid.

Zagen in een harde houtsoort (de meeste loofbomen) veroorzaakt meer trillingen dan zagen in een zachte houtsoort (de meeste naaldbomen). Zagen met een botte of verkeerde snijuitrusting (verkeerd type of verkeerd geslepen) verhoogt het trillingniveau.



WAARSCHUWING! Als men teveel wordt blootgesteld aan trillingen, kan dit tot bloedvat- en zenuwbeschadigingen leiden bij personen die een slechte bloedcirculatie hebben. Consulteer uw dokter wanneer u symptomen heeft die wijzen op te grote blootstelling aan trillingen. Voorbeelden van zulke symptomen zijn slapen, geen gevoel, "kriebels", "speldeprikken", pijn, geen of minder kracht, huidverkleuringen of veranderingen van het huidoppervlak. Deze symptomen komen meestal voor op vingers, handen of polsen. Deze symptomen kunnen toenemen bij koude temperaturen.

Stopschakelaar

De stopschakelaar moet gebruikt worden om de motor uit te schakelen.

Geluiddemper

De geluiddemper is gemaakt om het geluidsniveau te reduceren en de uitlaatgassen van de motor van de gebruiker weg te leiden.



WAARSCHUWING! De uitlaatgassen van de motor zijn heet en kunnen vonken bevatten die brand kunnen veroorzaken. Start de machine daarom nooit binnenshuis of in de buurt van licht ontvlambaar materiaal!

In gebieden met een warm en droog klimaat kan het risico van branden erg groot zijn. Het komt voor dat deze gebieden gereguleerd worden met wetgeving, die vereist dat de geluiddemper onder andere uitgerust moet zijn met een goedgekeurd vonkenopvangnet (A). (6)

N.B.! De geluiddemper wordt zeer heet, zowel tijdens het gebruik als na het stoppen. Dit geldt ook bij stationair draaien. Wees oplettend op brandgevaar, vooral bij hantering vlakbij brandgevaarlijke stoffen en/of gassen.



WAARSCHUWING! Gebruik de motorzaag nooit zonder of met een kapotte geluiddemper. Door een kapotte geluiddemper kunnen het geluidsniveau en het risico van brand aanzienlijk toenemen. Hou gereedschap voor brandblussen bij de hand. Gebruik nooit een motorzaag zonder of met een defect vonkenopvangnet, als een defect vonkenopvangnet verplicht is in uw werkgebied.

Snijuitrusting

In dit hoofdstuk wordt behandeld hoe u door het juiste onderhoud en door het juiste type snijuitrusting te gebruiken:

- Het terugslagrisico van uw machine reduceert.
- Vermindert het risico op losraken en barsten van de ketting.
- Bereikt optimale snijprestaties.
- De levensduur van de snijuitrusting verlengt.
- Voorkomt toename van trillingsniveau.

Basisregels

- **Gebruik uitsluitend de door ons aanbevolen snijuitrusting!** Zie de instructies in het hoofdstuk Technische gegevens.
- **Zorg ervoor dat de tanden van de ketting goed en juist geslepen zijn! Volg onze instructies en gebruik de aanbevolen vijlmal.** Een verkeerd geslepen of beschadigde ketting verhoogt het risico op ongevallen.
- **Zorg ervoor dat de tanddiepte juist is! Volg onze instructies en gebruik de aanbevolen dieptestellermal.** Als de tanddiepte te groot is, verhoogt dit het risico op terugslag.
- **Hou de ketting gestrekt!** Als de ketting niet voldoende gestrekt is, neemt het risico toe dat de

ketting losraakt en de slijtage van zaagblad, ketting en kettingwiel neemt toe.

- **Zorg ervoor dat de snijuitrusting voldoende gesmeerd is en onderhoud ze op de juiste manier!** Als de ketting niet voldoende gesmeerd wordt, neemt het risico op barsten toe en verhoogt de slijtage van zaagblad, ketting en kettingwiel.

Snijuitrusting die het risico op terugslag vermindert



WAARSCHUWING! Een verkeerde snijuitrusting of een verkeerde zaagblad/kettingcombinatie verhoogt het risico op terugslag! Gebruik uitsluitend de zaagblad/kettingcombinaties die wij aanbevelen, en volg de veiligheidsinstructie. Zie de instructies in het hoofdstuk Technische gegevens.

Terugslag kan alleen voorkomen worden doordat u er als gebruiker voor zorgt dat de terugslagrisico-sector van het zaagblad nooit in contact komt met een voorwerp.

Door snijuitrusting met een "ingebouwde" terugslagreductie te gebruiken en door de ketting correct te slijpen en te onderhouden kan het effect van een terugslag gereduceerd kan worden.

Zaagblad

Hoe kleiner de neusradius, hoe minder neiging tot terugslag.

Ketting

Een ketting bestaat uit een aantal verschillende schakels die leverbaar zijn in standaarduitvoering en in een uitvoering die het risico op terugslag reduceert.

BELANGRIJK! Geen enkele zaagketting elimineert het risico op terugslag.



WAARSCHUWING! Ieder contact met een draaiende zaagketting kan ernstig letsel veroorzaken.

Een aantal uitdrukkingen die de specificaties van het zaagblad en de ketting aangeven.

Om alle veiligheidsonderdelen op de snijuitrusting te behouden, moet u versleten of beschadigde zaagblad-/kettingcombinaties vervangen door een zaagblad en ketting die Jonsered aanbeveelt. Zie de instructies in het hoofdstuk Technische gegevens voor informatie welke zaagblad-/kettingcombinaties we aanbevelen.

Zaagblad

- Lengte (duim/cm)
- Aantal tanden in het neuswiel (T).
- Kettingsteek (=pitch) (duim). Het neuswiel van het zaagblad en het kettingaandrijftandwiel van de motorkettingzaag moeten aangepast zijn aan de afstand tussen de aandrijfschakels.

ALGEMENE VEILIGHEIDSINSTRUCTIES

- Aantal aandrijfschakels (stuks). Elke zaagbladlengte levert in combinatie met de kettingsteek en het aantal tanden van het neuswiel een bepaald aantal aandrijfschakels op.
- Zaagbladgroefbreedte (duim/mm). De breedte van de zaagbladgroef moet aangepast zijn aan de aandrijfschakelbreedte van de ketting.
- Kettingolie-opening en opening voor kettingstrekkerpen. Het zaagblad moet aangepast zijn aan de constructie van de motorkettingzaag.

Ketting

- Kettingsteek (=pitch) (duim)
- Aandrijfschakel-breedte (mm/duim)
- Aantal aandrijfschakels (stuks)

Slijpen en afstellen van de tanddiepte van de ketting



WAARSCHUWING! Draag altijd handschoenen tijdens het werken met de ketting om uw handen tegen letsel te beschermen.

Algemeen met betrekking tot het slijpen van de tanden

- Zaag nooit met een botte ketting. De ketting is bot wanneer u de snijuitrusting door de boom moet drukken en wanneer de houten spaanders erg klein zijn. Met een zeer botte ketting zijn er zelfs helemaal geen spaanders. Dan krijgt men alleen houtpoeder.
- Een goed geslepen ketting eet zich door het hout en geeft houten spaanders die groot en lang zijn.
- De zagende delen van een ketting worden zaagschakels genoemd en bestaan uit een snijtand (A) en een dieptestellernok (B). Het verschil in hoogte tussen deze beide bepaalt de snijdiepte. (7)

Bij het slijpen van snijtanden moet men rekening houden met vier verschillende afmetingen.

- 1 Vijlhoek
- 2 Snijhoek
- 3 Vijlpositie
- 4 Diameter van de ronde vijl

Het is erg moeilijk om zonder hulpmiddelen een ketting correct te slijpen. Daarom raden we u aan onze vijlmal te gebruiken. Die garandeert dat de ketting wordt geslepen voor een optimale terugslagreductie en zaagcapaciteit.

Zie de instructies in het hoofdstuk Technische gegevens voor de gegevens die van toepassing zijn bij het slijpen van de ketting van uw motorzaag.



WAARSCHUWING! Het niet volgen van de slijpinstructies, verhoogt het terugslagrisico van de ketting aanzienlijk.

Slijpen van de snijtand

Om de snijtand te slijpen heeft u een ronde vijl en een vijlmal nodig. Zie de instructies in het hoofdstuk Technische gegevens met betrekking tot de diameter van

de ronde vijl en welke vijlmal wordt aanbevolen voor de ketting van uw motorzaag.

- Controleer of de ketting gestrekt is. Als de ketting niet voldoende gestrekt is, is ze zijdelings onstabiel waardoor ze niet juist geslepen kan worden.
- Vijl altijd van de binnenkant van de snijtand naar buiten toe. Til de vijl op wanneer u naar de volgende tand gaat. Vijl eerst alle tanden aan één kant, draai daarna de motorzaag om en vijl de tanden van de andere kant.
- Vijl zo dat alle tanden even lang zijn. Wanneer de lengte van de snijtand slechts 4 mm (0,16") bedraagt, is de ketting versleten en moet ze vervangen worden. (8)

Algemeen betreffende het instellen van de snijdiepte

- Wanneer men de snijtanden slijpt, vermindert de tanddiepte (=snijdiepte). Om de maximum zaagcapaciteit te behouden, moet de dieptestellernok verlaagd worden tot de aanbevolen hoogte. Zie de instructies in het hoofdstuk Technische gegevens hoe groot de tanddiepte moet zijn voor de ketting van uw motorzaag.



WAARSCHUWING! Een te grote snijdiepte vergroot het terugslagrisico van de ketting!

Afstelling van de tanddiepte

- Wanneer de snijdiepte wordt afgesteld, moeten de snijtanden niet geslepen zijn. We raden aan de snijdiepte bij te stellen na elke derde kettingslijpbeurt. N.B.! Bij deze aanbeveling wordt ervan uitgegaan dat de lengte van de snijtanden niet abnormaal afgevlind werd.
- Om de snijdiepte in te stellen heeft u een platte vijl en een dieptestellernok nodig. We raden u aan onze vijlmal voor de tanddiepte te gebruiken, om de juiste maat voor de tanddiepte en de juiste hoek van de dieptestellernok te krijgen.
- Leg de vijlmal over de zaagketting. Informatie over het gebruik van de vijlmal staat op de verpakking. Gebruik de platte vijl om het overschot van het deel van de dieptestellernok dat onder de mal uitkomt, weg te vijlen. De snijdiepte is correct als u geen weerstand voelt wanneer u de vijl over de mal haalt.

Ketting strekken



WAARSCHUWING! Een onvoldoende gestrekte ketting kan resulteren in het losraken van de ketting wat tot ernstige en zelfs dodelijke verwondingen kan leiden.



WAARSCHUWING! Gebruik altijd goedgekeurde veiligheidshandschoenen. Ook een ketting die niet beweegt, kan ernstig letsel toebrengen aan de gebruiker of andere personen, die de ketting aanraken.

Hoe meer u de ketting gebruikt, hoe langer ze wordt. Het is belangrijk dat u de snijuitrusting aan deze verandering aanpast.

Bij elke tankbeurt moet gecontroleerd worden of de ketting voldoende gestrekt is. N.B.! Een nieuwe ketting vereist een inrijperiode gedurende dewelke men vaker moet controleren of de ketting voldoende gestrekt is.

Algemeen geldt dat de ketting zo hard mogelijk gestrekt moet worden, maar niet harder dan dat men ze manueel rond kan draaien. (9)

- Maak de zaagbladmoeren los die het koppelingdekseel/kettingrem vergrendelen. Gebruik de combisleutel. Draai de zaagbladmoeren met de hand zo vast mogelijk. (10)
- Til de zaagbladpunt op en strek de ketting door aan de kettingstretschroef te draaien met behulp van de combisleutel. Strek de ketting tot hij niet langer slap hangt aan de onderkant van het zaagblad. (11)
- Gebruik de combisleutel en haal de zaagbladmoeren aan terwijl u tegelijkertijd de zaagbladpunt omhoog houdt. Controleer of de ketting gemakkelijk rond kan gedraaid worden met de hand en of hij niet naar beneden hangt aan de onderkant van het zaagblad. (12)

Snijuitrusting smeren



WAARSCHUWING! Onvoldoende smeren van de snijuitrusting kan een breuk van de ketting veroorzaken wat tot ernstige en zelfs dodelijke verwondingen kan leiden.

Zaagkettingolie

Zaagkettingolie moet een goede hechting aan de motorzaagketting en tevens goede vloeieigenschappen hebben, of het nu een warme zomer of een koude winter is.

Als fabrikant van motorkettingzagen hebben wij een optimale zaagkettingolie ontwikkeld die door zijn plantaardige basis bovendien biologisch afbreekbaar is. Wij raden het gebruik van onze olie aan voor zowel een maximale levensduur van de motorzaagketting als voor behoud van het milieu. Als onze zaagkettingolie niet verkrijgbaar is, bevelen wij gewone zaagkettingolie aan.

Gebruik nooit afvalolie! Deze is schadelijk voor uzelf, voor de machine en het milieu.

BELANGRIJK! Bij gebruik van plantaardige kettingolie, moet u de zaagketting demonteren en ketting en zaagbladgleuf schoonmaken, voor u ze lange tijd opbergt. Anders bestaat het risico dat de kettingolie oxideert, wat ertoe leidt dat de zaagketting stijf wordt en het neuswiel van het zaagblad aanloopt.

Kettingolie bijvullen

- Al onze motorkettingzaagmodellen hebben automatische kettingsmering. Een aantal modellen is ook leverbaar met verstelbare oliestroom.
- De tank voor de kettingolie en de brandstoftank zijn zo gedimensioneerd dat de brandstof op is voordat de kettingolie op is.

Deze veiligheidsfunctie vereist echter wel dat men de juiste kettingolie gebruikt (met te dunne en dunvloeiende olie raakt de kettingolietank leeg voor de brandstof op is), dat men onze aanbevelingen met betrekking tot de carburateurinstelling volgt (met een te "magere" instelling gaat de brandstof langer mee dan de kettingolie) en dat men onze aanbevelingen met betrekking tot de snijuitrusting volgt (een te lang zaagblad heeft meer kettingolie nodig).

Controle van de kettingsmering

- Controleer bij elke tankbeurt de kettingsmering. Zie de instructies in het hoofdstuk Smeren van het neuswiel van het zaagblad.
Hou de zaagbladpunt op ca. 20 cm (8 duim) op een vast licht voorwerp gericht. Na 1 minuut draaien met 3/4 gas geven, moet er een duidelijke olierand te zien zijn op het lichte voorwerp.

Als de kettingsmering niet werkt:

- Controleer of het kettingoliekanaal van het zaagblad open is. Maak schoon indien nodig.
- Controleer of de zaagbladgroef schoon is. Maak schoon indien nodig.
- Controleer of het neuswiel van het zaagblad soepel draait en of de smeeropening van het neuswiel open is. Maak schoon en smeer indien nodig.

Als de kettingsmering niet werkt na de bovenstaande controles en de bijbehorende maatregelen, moet u de motorkettingzaag naar uw servicewerkplaats brengen.

Kettingaandrijftandwiel

De koppelingstrommel is voorzien van een Spur-tandwiel (kettingtandwiel dat op de trommel is gesoldeerd).

Controleer regelmatig het slijtageniveau van het kettingaandrijf-tandwiel. Vervang het als het abnormaal versleten is. Het kettingaandrijf-tandwiel moet vervangen worden telkens men de ketting vervangt.

Slijtagecontrole van de snijuitrusting

Controleer de ketting dagelijks:

- Of er zichtbare barsten in klinken en schakels zijn.
- Of de ketting stijf is.
- Of klinken en schakels abnormaal versleten zijn.

Gooi de zaagketting weg als deze een of enkele van bovenstaande punten vertoont.

We raden aan een nieuwe zaagketting te gebruiken om de slijtage van de ketting die u gebruikt te controleren.

Wanneer de lengte van de snijtanden slechts 4 mm bedraagt, is de ketting versleten en moet ze vervangen worden.

Zaagblad

Controleer regelmatig:

- Of er braam zit op de buitenzijden van het zaagblad. Vrij weg indien nodig. **(13A)**
- Of de zaagbladgroef abnormaal versleten is. Vervang het zaagblad indien nodig. **(13B)**
- Als de zaagbladneus abnormaal of ongelijkmatig versleten is. Als er een "holte" ontstaat in waar de radius van de zaagbladneus ophoudt, was de ketting niet voldoende gestrekt.
- Voor een zo lang mogelijke levensduur moet het zaagblad elke dag omgedraaid worden.



WAARSCHUWING! Het grootste gedeelte van de ongevallen met motorkettingzagen gebeurt wanneer de ketting de gebruiker raakt.

Draag altijd persoonlijke veiligheidsuitrusting. Zie instructies in het hoofdstuk Persoonlijke veiligheidsuitrusting.

Voer geen taken uit waarvoor u zich niet voldoende gekwalificeerd acht. Zie instructies in de hoofdstukken Persoonlijke veiligheidsuitrusting, Maatregelen om terugslag te voorkomen, Snijuitrusting en Algemene werkinstructies.

Voorkom situaties waar risico op terugslag bestaat. Zie instructies in het hoofdstuk Veiligheidsuitrusting voor de machine.

Gebruik de aanbevolen snijuitrusting en controleer de conditie waarin ze zich bevindt. Zie instructies in het hoofdstuk Algemene werkinstructies.

Controleer de werking van de veiligheidsonderdelen van de motorkettingzaag. Zie instructies in de hoofdstukken Algemene werkinstructies en Algemene veiligheidsinstructies.

Monteren van zaagblad en ketting



WAARSCHUWING! Controle en/of onderhoud moeten worden uitgevoerd als de motor uit staat. De stopschakelaar gaat automatisch terug naar startstand. Om een ongewenste start te voorkomen, moet de bougiekap altijd van de bougie worden gehaald bij montage, controle en/of onderhoud.

Draag altijd handschoenen tijdens het werken met de ketting om uw handen tegen letsel te beschermen.

Controleer of de kettingrem ontkoppeld is door de terugslagbeveiliging van de kettingrem naar de voorste handvatbeugel te duwen.

Verwijder de zaagbladmoeren en het koppelingdeksel (kettingrem). Verwijder de transportbescherming. (A) **(14)**

Monteer het zaagblad over de zaagbladbouten. Plaats het zaagblad in de achterste stand. Plaats de ketting over het kettingaandrijftandwiel en in de zaagbladgroef. Begin aan de bovenkant van het zaagblad. **(15)**

Controleer of de randen van de motorzaagschakels op de bovenkant van het zaagblad naar voren zijn gericht.

Monteer het koppelingdeksel (de kettingrem) en kijk waar de kettingafstelpen zich in de opening van het zaagblad bevindt. Controleer of de aandrijfschakels van de ketting goed op het aandrijftandwiel passen en de ketting goed in de groef van het zaagblad zit. Draai de moeren van het zaagblad handvast aan. **(16)**

Span de ketting door met behulp van de combisleutel de kettingspanschroef met de klok mee te schroeven. De ketting moet aangespannen worden tot ze niet langer slap hangt aan de onderkant van het zaagblad. Zie de instructies in het hoofdstuk Zaagketting spannen. **(17)**

De ketting is juist gespannen wanneer ze niet langer slap hangt aan de onderkant van het zaagblad en toch gemakkelijk met de hand kan worden voortbewogen. Hou de tip van het blad omhoog en draai de zaagbladmoeren met de combisleutel vast. **(18)**

Op een nieuwe ketting moet de kettingspanning vaak gecontroleerd worden tot de ketting goed "ingelopen" is. Controleer regelmatig de kettingspanning. Correct aangespannen kettingen geven goede bedrijfsprestaties en hebben een lange levensduur. **(19)**

Monteren van schorssteun

Voor het monteren van een schorssteun – neem contact op met uw servicewerkplaats.

Brandstof

Let op! Uw machine is uitgerust met een tweetaktmotor; gebruik steeds een mix van benzine met tweetaktolie. Om zeker te zijn van de juiste mengverhouding, is het erg belangrijk dat u de oliehoeveelheid steeds nauwkeurig afmeet. Als u kleine brandstofhoeveelheden mengt, hebben zelfs kleine afwijkingen van de juiste oliehoeveelheid een grote invloed op de mengverhouding.



WAARSCHUWING! Zorg steeds voor een goede ventilatie bij het vullen en hanteren van brandstof.

Benzine

- Gebruik loodvrije of gelode benzine van een hoge kwaliteit.
- Het aanbevolen laagste octaangetal is 90 (RON). Indien u de motor gebruikt met benzine met een lager octaangetal dan 90, kan het zogenaamde pingelen voorkomen. Dit leidt tot een hogere motortemperatuur en hogere belasting van de lagers, wat ernstige schade aan de motor kan veroorzaken.
- Als men voortdurend met een hoog toerental werkt (b.v. snoeien) is het aan te raden een hoger octaangetal te gebruiken.

Inlopen

Gedurende lange tijd op hoge toeren werken, dient gedurende de eerste 10 uur te worden vermeden.

Tweetaktolie

- Voor de beste resultaten en prestaties, moet u JONSERED tweetaktolie gebruiken, die speciaal wordt gemaakt voor onze luchtgekoelde tweetaktmotoren.
- Gebruik nooit tweetaktolie die bedoeld is voor watergekoelde buitenboordmotoren, zogenaamde outboardoil (aangeduid met TCW).
- Gebruik nooit olie bedoeld voor vier-takt motoren.
- Een lage oliekwaliteit of een te rijk olie/brandstofmengsel kan de functie van de katalysator op het spel zetten en de levensduur verminderen.

Mengverhouding

1:50 (2%) met JONSERED tweetaktolie.

1:33 (3%) met andere olie, gemaakt voor luchtgekoelde tweetaktmotoren, geklassificeerd voor JASO FB/ISO EGB.

Benzine, liter	Tweetaktolie, liter	
	2% (1:50)	3% (1:33)
5	0,10	0,15
10	0,20	0,30
15	0,30	0,45
20	0,40	0,60

Mengen

- Meng de benzine en olie altijd in een schone jerrycan die goedgekeurd is voor benzine.
- Begin altijd met de helft van de benzine die gemengd moet worden erin te gieten. Giet er daarna de gehele

oliehoeveelheid bij. Meng (schud) het brandstofmengsel. Giet er de resterende hoeveelheid benzine bij.

- Meng (schud) de brandstofhoeveelheid goed voor u de brandstoftank van de machine vult.
- Meng niet meer brandstof dan voor max. 1 maand nodig is.
- Als u de machine gedurende een langere tijd niet gebruikt, moet u de brandstoftank leeg maken en hem schoonmaken.

Kettingolie

- Als smeermiddel raden we een speciale olie aan (kettingsmeerolie) met goede adhesie.
- Gebruik nooit gebruikte olie. Dit kan de oliepomp, het zaagblad en de ketting beschadigen.
- Het is belangrijk het juiste olietype te gebruiken in verhouding tot de luchttemperatuur (juiste viscositeit).
- Bij temperaturen onder 0°C worden bepaalde oliesoorten minder visceus. Dit kan de pomp overbelasten en de componenten van de pomp beschadigen.
- Neem contact op met uw dealer voor het kiezen van de juist kettingolie.

Tanken



WAARSCHUWING! Om het risico op brand te verminderen, moet u de volgende voorzorgsmaatregelen nemen:

Rook niet en plaats ook geen warm voorwerp in de buurt van de brandstof.

Stop de motor en laat hem voor het tanken enkele minuten afkoelen.

Open de dop van de tank voorzichtig wanneer u wilt tanken zodat eventuele overdruk langzaam verdwijnt.

Draai de dop van de tank goed vast na het tanken.

Verwijder de machine steeds van de tankplaats, voor u de motorzaag start.

Maak de dop van de tank en de directe omgeving goed schoon. Maak de brandstof- en kettingolietanks regelmatig schoon. Het brandstoffilter moet minstens één keer per jaar vervangen worden. Verontreinigingen in de tank kunnen defecten veroorzaken. Zorg ervoor dat de brandstof goed gemengd is door de jerrycan voorzichtig te schudden voor u de tank vult. De volumes van de kettingolie- en brandstoftanks zijn goed op elkaar afgestemd. Vul daarom de kettingolie- en de brandstoftank altijd op hetzelfde tijdstip.



WAARSCHUWING! Brandstof en brandstofdampen zijn uiterst brandgevaarlijk. Wees voorzichtig bij het hanteren van brandstof en kettingolie. Vergeet het brand-, explosie- en inademsgevaar niet.

Brandstofveiligheid

- Tank nooit wanneer de motor van de machine loopt.
 - Zorg voor een goede ventilatie tijdens het tanken en het mengen van brandstof (benzine en 2-takt olie).
 - Verplaats de machine ten minste 3 m van de tankplaats voor u de motor start.
 - Start de machine nooit:
- 1 Als u brandstof of kettingolie op de machine heeft gemorst. Neem alle gemorste brandstof af en laat de benzinesteren verdampen.
 - 2 Als u brandstof op uzelf of op uw kleding gemorst heeft, trek schone kleding aan. Was de lichaamsdelen die in contact zijn geweest met brandstof. Gebruik water en zeep.
 - 3 Als de machine brandstof lekt. Controleer de tankdop en de brandstofleidingen regelmatig op lekkage.



WAARSCHUWING! Gebruik nooit een machine met zichtbare beschadigingen aan bougiebescherming en ontstekingskabel. Er bestaat een risico van vonkforming, wat brand kan veroorzaken.

Transport en opbergen

- Berg de motorkettingzaag en de brandstof zo dat eventuele lekkage en dampen niet in contact kunnen komen met vonken of vlammen. Bijvoorbeeld elektrische machines, elektrische motoren, stopcontacten/schakelaars, verwarmingsketels e.d.
- De brandstof moet in daarvoor bedoelde en goedgekeurde tanks worden bewaard.
- Bij opslag van langere duur en transport van de motorkettingzaag moeten de brandstof- en zaagkettingolietanks worden geleegd. Vraag bij uw tankstation of de gemeente waar u de afgetapte brandstof en kettingolie kwijt kan.
- Zorg ervoor dat de machine goed is schoongemaakt en dat een volledige servicebeurt is gegeven voor een lange periode van stalling.
- De transportbescherming van de snij-uitrusting moet tijdens transport of opslag van de machine altijd aangebracht zijn, om abusievelijk contact met de scherpe ketting te vermijden. Ook een ketting die niet beweegt, kan ernstig letsel toebrengen aan de gebruiker of andere personen, die de ketting aanraken.
- Zet de machine vast tijdens transport.

Opslag voor lange tijd

Leeg de brandstof- en olietanks op een goed geventileerde plaats. Bewaar de brandstof in goedgekeurde jerrycans op een veilige plaats. Monteer de zaagbladbescherming. Maak de machine schoon. Zie instructies in het hoofdstuk Onderhoudsschema.

Starten en stoppen



WAARSCHUWING! Voor het starten moet u rekening houden met de volgende punten:

De kettingrem moet geactiveerd zijn wanneer de motorzaag wordt gestart, om het risico van contact met de draaiende ketting bij de start te verminderen.

Start de motorkettingzaag nooit zonder dat zaagblad, ketting en alle kappen gemonteerd zijn. Anders kan de koppeling losraken en persoonlijk letsel veroorzaken.

Plaats de machine steeds op een stabiele ondergrond. Zorg ervoor dat u stevig staat en dat de ketting niet in contact kan komen met een voorwerp.

Hou onbevoegden uit het werkgebied.

Koude motor

Starten: De kettingrem moet geactiveerd zijn wanneer de motor start. Activeer de rem door de terugslagbescherming naar voren te brengen. **(20)**

1. Brandstofpomp: Druk een aantal malen op de rubberen balg van de brandstofpomp totdat er brandstof in de balg komt. De balg hoeft niet helemaal gevuld te worden. **(23)**

2. Choke: Trek de blauwe choke/starthendel helemaal uit (naar de positie FULL CHOKE). Wanneer de chokehendel helemaal uitgetrokken is, wordt automatisch een correcte startgasstand ingesteld. **(21)**

Startgas: De gecombineerde choke/startgaspositie wordt verkregen door de hendel in de chokestand te zetten. **(22)**

Starten

Pak de voorhandgreep vast met uw linkerhand. Houd de motorkettingzaag op de grond door uw rechtervoet door de achterhandgreep te steken.

3. Trek met uw rechterhand aan de starthendel en trek het starterkoord langzaam naar buiten tot u weerstand voelt (starthaken grijpen in) en trek daarna hard en snel totdat de motor aanslaat. **Wikkel het starterkoord nooit rond uw hand. (25)**

N.B.! Trek het starterkoord niet volledig uit en laat de starthendel niet zomaar los wanneer het volledig uitgetrokken is. Dit kan tot beschadigingen van de machine leiden.

4. Duw de chokehendel in de stand "1/2 choke" zodra de motor aanslaat, wat te horen is aan een plofgeluid. **(21)**

5. Blijf hard aan het koord trekken totdat de motor start. **(26)** Laat de motor dertig seconden opwarmen en trek de gashendel dan om naar de normale stationaire stand te gaan.

Omdat de kettingrem nog steeds geactiveerd is, moet het toerental van de motor zo snel mogelijk terug naar nullast, wat u bereikt door de gashandel één keer snel in te drukken. Daardoor voorkomt u onnodige slijtage van koppeling, koppelingstroommel en remband.

Let op! Reset de kettingrem door de terugslagbeveiliging (aangeduid met "PULL BACK TO RESET") tegen de handgreepbeugel aan te brengen. De motorzaag is vervolgens klaar voor gebruik. (27)

Warme motor

Volg dezelfde startprocedure als voor een koude motor, maar zonder de chokehendel in de chokestand te zetten. Plaats de gashandel in de startpositie door de blauwe chokehendel in de chokestand te zetten en deze vervolgens weer in te drukken. (24)



WAARSCHUWING! Langdurige inademing van de uitlaatgassen van de motor, kettingolienevel en stof van zaagsel kan een gezondheidsrisico vormen.

- Start de motorkettingzaag nooit zonder dat zaagblad, zaagketting en alle kappen correct gemonteerd zijn. Zie de instructies in het hoofdstuk Monteren. Wanneer zaagblad en ketting niet op de motorzaag zijn gemonteerd, kan de koppeling losraken en ernstig letsel veroorzaken. (28)
- De kettingrem moet geactiveerd zijn wanneer u de motorzaag start. Zie instructies onder het hoofdstuk Starten en stoppen. Gebruik nooit de valstart voor de motorzaag. Deze methode is zeer gevaarlijk omdat u makkelijk de controle over de motorzaag kunt verliezen. (29)
- Start de machine nooit binnenshuis. Vergeet niet dat het gevaarlijk is om de uitlaatgassen van de motor in te ademen.
- Controleer de omgeving en vergewis u ervan dat er geen risico bestaat dat mensen of dieren in contact komen met de snijuitrusting.
- Hou de motorzaag altijd met beide handen beet. Hou uw rechterhand op de achterhandgreep en uw linkerhand op de voorhandgreep. **Alle gebruikers, zowel rechts- als linkshandigen, moeten deze greep gebruiken.** Hou stevig vast zodat uw duimen en vingers de handgrepen van de motorzaag omsluiten. (30)

Stoppen

U stopt de motor door de stopknop in te drukken. (31)

Voor ieder gebruik: (32)

- 1 Controleer of de kettingrem goed werkt en niet beschadigd is.
- 2 Controleer of de achterste rechterhandbescherming niet beschadigd is.
- 3 Controleer of de gashandeldvergrenzeling goed werkt en niet beschadigd is.
- 4 Controleer of het stopcontact goed functioneert en onbeschadigd is.
- 5 Controleer of alle handvatten vrij van olie zijn.
- 6 Controleer of het trillingsdempingssysteem goed werkt en niet beschadigd is.
- 7 Controleer of de geluiddemper goed vast zit en niet beschadigd is.
- 8 Controleer of alle onderdelen van de motorkettingzaag vastgedraaid zijn en dat ze niet beschadigd zijn of ontbreken.
- 9 Controleer of de kettingvanger op zijn plaats zit en niet beschadigd is.
- 10 Controleer de kettingspanning.

Algemene werkinstructies

BELANGRIJK!

In dit hoofdstuk nemen we de basisveiligheidsregels voor het werken met een motorkettingzaag door. Deze informatie kan nooit de kennis vervangen die een vakman via opleidingen en praktische ervaring heeft verworven. Wanneer u in een situatie belandt waarin u niet goed weet hoe u verder te werk moet gaan, moet u een expert raadplegen. Wend u tot uw dealer, uw servicewerkplaats of een ervaren motorkettingzaaggebruiker. Vermijd gebruik waarvan u vindt dat u niet voldoende gekwalificeerd bent!

Voor u de motorkettingzaag gaat gebruiken, moet u weten wat terugslag is en hoe dit voorkomen kan worden. Zie instructies in het hoofdstuk Maatregelen die terugslag voorkomen.

Voor u de motorkettingzaag gaat gebruiken moet u begrijpen wat het verschil is tussen zagen met de onderkant en zagen met de bovenkant van het zaagblad. Zie de instructies in het hoofdstuk Maatregelen om terugslag te voorkomen en De veiligheidsuitrusting van de machine.

Draag altijd persoonlijke veiligheidsuitrusting. Zie instructies in het hoofdstuk Persoonlijke veiligheidsuitrusting.

Basisveiligheidsregels

- 1 Controleer de omgeving:
 - Om ervoor te zorgen dat u de controle over uw machine niet kunt verliezen vanwege omstanders, dieren of een andere reden.
 - Om te voorkomen dat omstanders en dieren in contact komen met de ketting of geraakt worden door de vallende boom en gewond raken.

N.B.! Volg de hierboven genoemde punten maar gebruik de motorkettingzaag nooit als u niet de mogelijkheid heeft om hulp in te roepen in geval van een ongeval.

- 2 Gebruik de motorkettingzaag niet in ongunstige weersomstandigheden. B.v. bij dichte mist, hevige regen, harde wind, hevige koude enz. Werken in slechte weersomstandigheden is vermoeiend en kan tot gevaarlijke situaties leiden, zo kan de grond glad zijn, de wind de valrichting van de boom beïnvloeden enz.
- 3 Wees extra voorzichtig bij het afzagen van kleine takken en zaag niet in struiken (= veel kleine takken tegelijkertijd). Kleine takken kunnen na het afzagen vastraken in de ketting, in uw gezicht e.d. geslingerd worden en ernstige verwondingen veroorzaken.
- 4 Zorg ervoor dat u veilig kunt gaan en staan. Controleer of er eventuele hindernissen zijn als u onverwacht snel moet kunnen weggomen (wortels, stenen, takken, kuilen, greppels enz.). Wees extra voorzichtig wanneer u op hellend terrein werkt.
- 5 Wees extra voorzichtig wanneer u in bomen zaagt die gespannen zijn. Een gespannen boom kan zowel voor als na het doorzagen in zijn normale stand terug vliegen. Als u op de verkeerde plaats staat of de inkeping op de verkeerde plaats maakt, kan dit ertoe leiden dat de boom u of de machine raakt zodat u de controle verliest. In beide gevallen kunt u ernstig gewond raken.
- 6 Wanneer u zich verplaatst moet de ketting vergrendeld worden met de kettingrem en moet de motor uitgeschakeld worden. Draag de motorkettingzaag met het zaagblad en de ketting naar achter gericht. Als het om een langere verplaatsing gaat, moet u de zaagbladbescherming gebruiken.
- 7 Wanneer u de motorzaag op de grond plaatst, moet u de ketting met de kettingrem blokkeren en ervoor zorgen dat u de machine in de gaten kunt houden. Als de motorzaag een langere tijd "geparkeerd" wordt, moet u de motor uitzetten.



WAARSCHUWING! Soms komen er snippers vast te zitten in het koppelingdeksel waardoor de ketting vastloopt. Zet de motor altijd uit voordat wordt begonnen met schoonmaken.

Basisregels

- 1 Door te begrijpen wat terugslag is en hoe het veroorzaakt wordt, kunt u het verrassingseffect reduceren of elimineren. Het verrassingseffect verhoogt het ongevalsrisico. De meeste terugslagen zijn klein, maar sommige kunnen bliksemsnel en erg krachtig zijn.
- 2 Hou de motorzaag altijd stevig vast met uw rechterhand op het achterste handvat en uw linker handvat op het voorste handvat. Plaats uw duimen en vingers rond de handvatten. Iedereen, of men nu rechts- of linkshandig is, moet de motorzaag op deze manier vastgrijpen. Want dit is de beste greep om het terugslageffect te reduceren en de controle over de motorzaag te behouden. **Laat de handvatten niet los!**
- 3 De meeste terugslagongevallen gebeuren bij het snoeien. Zorg ervoor dat u stevig staat en dat er niets op de grond ligt waarover u kunt struikelen of uw evenwicht kunt verliezen.

Door onoplettendheid kan de terugslagrisico-sector van de motorzaag onopzettelijk een tak, een boom in

de buurt of een ander voorwerp raken, en terugslag veroorzaken.

Zorg dat u controle over het werkstuk hebt. Als de stukken, die u zaagt, klein en licht zijn kunnen ze in de ketting vastraken en naar u geworpen worden. Al hoeft dit op zich niet gevaarlijk te zijn, u kunt erdoor verrast worden en de controle over de zaag verliezen. Zaag nooit opgestapelde stammen of takken zonder ze eerst uit elkaar te trekken. Zaag slechts een stam of een stuk per keer. Verwijder de afgezaagde stukken om uw werkteerrein veilig te houden.

- 4 **Gebruik de motorzaag nooit hoger dan schouderhoogte en zaag niet met de tip van het zaagblad. Zaag nooit wanneer u de motorzaag slechts met één hand vasthoudt! (33)**
- 5 Om volledige controle te hebben over uw motorkettingzaag is het noodzakelijk dat u stabiel staat. Werk nooit terwijl u op een trap staat, hoog in een boom of op plaats waar u geen stabiele ondergrond hebt om op te staan. **(34)**
- 6 Zaag met een hoge kettingsnelheid, d.w.z. met volgas.
- 7 Wees extra voorzichtig wanneer u met de bovenkant van het zaagblad zaagt, d.w.z. wanneer u van de onderkant van het zaagvoorwerp zaagt. Dit wordt zagen met duwende ketting genoemd. De ketting duwt de motorzaag dan naar achteren naar de gebruiker toe. Wanneer de ketting beklemd raakt, kan de motorzaag naar achteren naar u toe worden geworpen.
- 8 Als de gebruiker deze duwende beweging niet pareert, bestaat het risico dat de motorzaag zo ver naar achter wordt geduwd dat de terugslagrisico-sector van het zaagblad het enige contact met de boom vormt, wat tot terugslag leidt. **(35)**

Met de onderkant van het zaagblad zagen, d.w.z. van de bovenkant van het zaagvoorwerp naar beneden, wordt zagen met trekkende ketting genoemd. Dan wordt de motorzaag naar de boom getrokken en de voorkant van de motorzaaghuus vormt dan een natuurlijke steun tegen de stam. Bij zagen met trekkende ketting heeft de gebruiker meer controle over de motorkettingzaag en waar de terugslagrisico-sector van het zaagblad zich bevindt.

- 9 Volg de vijl- en onderhoudsinstructies voor het zaagblad en de ketting. Als u het zaagblad en de ketting vervangt, mag slechts één van de door ons aanbevolen combinaties gebruikt worden. Zie instructies in de hoofdstukken Snijuitrusting en Technische gegevens.

Basistechniek zagen



WAARSCHUWING! Gebruik nooit een motorzaag door hem met een hand vast te houden. U kunt een motorzaag niet veilig controleren met een hand. Hou de handgrepen altijd met beide handen stevig vast.

Algemeen

- Geef altijd volgas bij het zagen!
- Laat de motor na elke zaagsnede stationair draaien (als de motor langdurig op volle toeren draait zonder dat hij belast wordt, d.w.z. zonder de weerstand die

de motor bij het zagen via de ketting ondervindt, kan dit tot ernstige beschadigingen van de motor leiden).

- Vanaf de bovenkant zagen = met "trekkende" ketting zagen.
- Vanaf de onderkant zagen = met "duwende" ketting zagen.

Zagen met een "duwende" ketting betekent een groter risico op terugslag. Zie instructies in het hoofdstuk Maatregelen die terugslag voorkomen.

Benamingen

Zagen = Algemene benaming voor zagen door hout.

Snoeien = Takken van een geveld boom afzagen.

Splijten = Wanneer het voorwerp dat u door/af wilt zagen afbreekt voor u de hele zaagsnede aangebracht heeft.

Voor het zagen moet u rekening houden met vijf erg belangrijke factoren:

- 1 De snijuitrusting mag niet vastgeklemd worden in de motorzaagsnede.
- 2 Het zaagvoorwerp mag niet splijten.
- 3 De ketting mag tijdens en na het zagen niet in contact komen met de grond of een ander voorwerp.
- 4 Bestaat er risico op terugslag?
- 5 Kunt u op deze grond en in deze omgeving veilig gaan en staan?

Dat de ketting wordt vastgeklemd of dat het zaagvoorwerp splijt is te wijten aan twee oorzaken: welke steun het zaagvoorwerp voor en na het zagen heeft en of het zaagvoorwerp onder spanning staat.

De eerder genoemde ongewenste verschijnselen kunnen in de meeste gevallen voorkomen worden door het zagen in twee stappen uit te voeren: vanaf de boven- en de onderkant. Het gaat erom de "wil" van het zaagvoorwerp om de ketting vast te klemmen of te splijten, te neutraliseren.

BELANGRIJK! Als de ketting wordt vastgeklemd in de motorzaagsnede: schakel de motor uit! Probeer de motorkettingzaag niet los te trekken. Als u dit doet kunt u zich verwonden aan de ketting wanneer de motorzaag plotseling loskomt. Gebruik een hefboom om de motorkettingzaag los te maken.

Hieronder volgt een theoretische beschrijving van hoe de meeste voorkomende situaties waarmee de gebruiker van een motorkettingzaag te maken krijgt, gehanteerd moeten worden.

Snoeien

Bij het snoeien van dikkere takken moet men dezelfde principes toepassen als bij het zagen.

Zaag moeilijke takken stukje voor stukje af.

Zagen



WAARSCHUWING! Probeer nooit te zagen in stammen als ze opgestapeld liggen of wanneer een paar stammen dicht bij elkaar liggen. Dergelijke handelwijzen vergroten het risico van terugslag aanzienlijk, wat kan leiden tot ernstig of levensbedreigend letsel.

Als u een stapel stammen heeft, moet iedere stam die u wilt zagen, van de stapel af, op een zaagbok of -tafel worden gelegd en apart worden doorgezaagd.

Verwijder de doorgezaagde stukken uit het werkterrein. Door ze in het werkterrein te laten liggen, vergroot u zowel het risico om per ongeluk terugslag te krijgen als het risico om uw balans te verliezen terwijl u werkt.

De stam ligt op de grond. Er bestaat geen risico dat de ketting wordt vastgeklemd of dat de stam splijt. Het risico dat de ketting na het doorzagen de grond raakt, is echter wel groot.

Zaag van boven naar beneden door de hele stam. Wees voorzichtig op het einde van de motorzaagsnede zodat u voorkomt dat de ketting de grond raakt. Blijf vol gas geven maar wees bereid om te reageren indien dit nodig mocht zijn. **(36)**

Als dit mogelijk is (kan de stam geroteerd worden?) zaag de stam dan voor 2/3 door.

Roteer de stam zo dat de resterende 1/3 van bovenaf kunt zagen.

De stam wordt aan één kant ondersteund. Groot risico op splijten.

Begin met van onder naar boven te zagen (ca. 1/3 van de stamdiameter).

Zaag de stam daarna van boven naar beneden door zodat de twee zaagsneden elkaar ontmoeten.

De stam wordt aan beide kanten ondersteund. Groot risico dat de ketting wordt vastgeklemd.

Begin met van onder naar boven te zagen (ca. 1/3 van de stamdiameter).

Zaag de stam daarna van boven naar beneden door zodat de twee zaagsneden elkaar ontmoeten.

Veltechniek

BELANGRIJK! Voor het vellen van een boom is veel techniek vereist. Een onervaren motorkettingzaaggebruiker mag geen bomen vellen met de motorzaag. Voer nooit taken uit waarvoor u niet voldoende gekwalificeerd bent!

Veiligheidsafstand

De veiligheidsafstand tussen de boom die geveld zal worden en de dichtstbijzijnde werkplek moet ten minste 2 1/2 boom lengtes bedragen. Zorg ervoor dat niemand zich voor en tijdens het vellen in deze "risicozone" bevindt. **(37)**

Velrichting

Bij het vellen van bomen is het de bedoeling dat de boom zo geveld wordt dat het snoeien en het doorzagen van de geveld boom in zulk "eenvoudig" terrein als mogelijk kan gebeuren. U moet er veilig kunnen gaan en staan.

Nadat u bepaald heeft in welke richting u wilt dat de boom valt, moet u ook beoordelen wat de natuurlijke valrichting van de boom is.

Die wordt bepaald door de volgende factoren:

- Helling
- Hoe gebogen de boom is
- Windrichting
- Takkenconcentratie
- Eventueel gewicht van de sneeuw op de boom
- Obstakels binnen de reikwijdte van de boom: bijv. andere bomen, elektriciteitsleidingen, wegen en gebouwen.
- Kijk naar schade of rot in de stam, waardoor het waarschijnlijk is dat de boom breekt en valt voordat u dit verwacht.

Na deze beoordeling kan men gedwongen zijn om de boom in zijn natuurlijke richting te laten vallen omdat blijkt dat het onmogelijk of te gevaarlijk is om te proberen de boom in de gewenste richting te laten vallen.

Een andere belangrijke factor, die geen invloed heeft op de valrichting, maar wel belangrijk is voor uw persoonlijke veiligheid, is dat u moet controleren of de boom geen beschadigde of "dode" takken heeft die af kunnen breken en u kunnen verwonden.

In de eerste plaats moet voorkomen worden dat de vallende boom vastraakt in een andere boom. Het is erg gevaarlijk om zo'n vastgeraakte boom op de grond te krijgen en het ongevalsrisico is erg groot. Zie instructies in het hoofdstuk Hanteren van een mislukte poging.

BELANGRIJK! Op kritieke veldmomenten moeten de gehoorbeschermers direct na het voltooiën van de motorzaagwerkzaamheden opgeklapt worden, zodat u geluiden en waarschuwingssignalen kunt opmerken.

Onderste gedeelte van de stam snoeien en vluchtweg

Haal altijd tot schouderhoogte de takken van de stam. Het is het veiligst van onder naar boven te werken en de stam tussen u en de motorkettingzaag te houden.

Verwijder de vegetatie rond de boom en controleer of er eventuele hindernissen (stenen, takken, kuilen enz.) zijn zodat u gemakkelijk weg kunt komen wanneer de boom begint te vallen. De vluchtweg moet in een hoek van circa 135° (schuin achterwaarts) tegenover de geplande valrichting liggen. **(38)**

- 1 Risicozone
- 2 Vluchtweg
- 3 Valrichting

Vellen



WAARSCHUWING! We raden invloeden gekwalificeerde gebruikers ten sterkste af bomen te vellen met een zaagbladlengte die kleiner is dan de stamdiameter!

Het vellen gebeurt met drie zaagsneden. Eerst maakt men een inkeping die bestaat uit een bovenste inkeping en een onderste inkeping, en daarna wordt het vellen beëindigd met een zaagsnede. Door de inkepingen en

de motorzaagsnede op de juiste plaats aan te brengen, kan men de valrichting erg nauwkeurig sturen.

Inkeping

Bij het aanbrengen van de inkeping begint men met de bovenste inkeping. Sta aan de rechterkant van de boom en zaag met trekkende ketting.

Breng daarna de onderste inkeping aan zodat die eindigt waar de bovenste inkeping eindigt. **(39)**

De inkepingdiepte moet 1/4 van de stamdiameter bedragen en de hoek tussen de bovenste en de onderste inkeping ten minste 45°.

De beide inkepingen ontmoeten elkaar op de inkepinglijn. De inkepinglijn moet volkomen horizontaal liggen en tegelijkertijd een rechte hoek (90°) vormen met de gekozen valrichting. **(40)**

Zaagsnede

De motorzaagsnede wordt aangebracht vanaf de andere kant van de boom en moet volkomen horizontaal liggen. Sta links van de boom en zaag met trekkende ketting.

Breng de motorzaagsnede ca. 3-5 cm (1,5-2") boven de horizontale lijn van de inkeping aan.

Steek de schorsstern (indien deze gemonteerd is) achter het scharnierstuk. Zaag met vol gas en duw de ketting/het zaagblad langzaam in de boom. Let op of de boom niet in een richting beweegt die tegenovergesteld is aan de gekozen valrichting. Breng zodra de snijdiepte dit toelaat, een velwig of een breekijzer aan in de motorzaagsnede. **(41)**

De motorzaagsnede moet parallel met de inkepinglijn beëindigd worden zodat de afstand tussen beiden ten minste 1/10 van de stamdiameter bedraagt. Het niet doorgezaagde gedeelte wordt scharnierstuk genoemd.

Het scharnierstuk doet dienst als scharnier en stuurt de richting van de vallende boom. **(42)**

Als het scharnierstuk te klein is of doorgezaagd is of als de inkeping of de motorzaagsnede verkeerd geplaatst zijn, kan men alle controle over de valrichting van de boom verliezen.

Wanneer de motorzaagsnede en de inkeping klaar zijn, moet de boom uit zichzelf beginnen te vallen of met behulp van de velwig of het breekijzer.

We raden aan een zaagbladlengte te gebruiken die groter is dan de stamdiameter van de boom, zodat de zaagsnede en de inkeping aangebracht kunnen worden met een zogenaamde "enkelvoudige snede". Zie de instructies in het hoofdstuk Technische gegevens welke zaagbladlengtes wij aanbevelen voor uw motorkettingzaag.

Er zijn methodes om bomen te vellen met een stamdiameter die groter is dan de zaagbladlengte. Bij deze methodes is het risico dat de terugslagrisico-sector van het zaagblad in contact komt met een voorwerp erg groot.

Hanteren van een mislukte poging

"Vastgeraakte boom" omlaag halen

Het is erg gevaarlijk om zo'n vastgeraakte boom op de grond te krijgen en het ongevalsrisico is erg groot.

Probeer de boom die ergens opgevallen is nooit naar beneden te zagen.

Werk nooit binnen het risico gebied van bomen die vast hangen in een andere boom.

De veiligste methode is een takel gebruiken.

- Gemonteerd op een trekker
- Draagbaar

Bomen en takken zagen die onder spanning staan

Vorbereidingen: Beoordeel in welke richting de bomen/takken gespannen zijn en waar het breekpunt (d.w.z. het punt waar de boom/tak zou breken als hij nog meer gespannen zou worden) zich bevindt.

Beoordeel hoe u de spanning het best kunt wegnemen en of u dit zelf kunt. In extra gecompliceerde situaties is de enige veilige methode geen motorkettingzaag te gebruiken en een takel te gebruiken.

In het algemeen geldt:

Sta zo dat u niet het risico loopt geraakt te worden door de boom/tak wanneer de spanning wordt weggenomen.

Maak één of meerdere sneden op of in de buurt van het breekpunt. Zaag zo diep en breng zoveel sneden aan als nodig is om de spanning in de boom/tak voldoende weg te nemen zodat de boom/tak "afbreekt" bij het breekpunt.

Zaag een voorwerp dat onder spanning staat nooit helemaal door!

Wanneer u de boom/tak moet doorzagen, maakt u twee of drie snedes van 3-5 cm diep met 3 cm tussenruimte.

Zaag vervolgens steeds dieper tot de spanning van de boom/tak verdwijnt.

Zaag de boom/tak vervolgens vanaf de andere kant door, nadat de spanning eraf is.

Maatregelen die terugslag voorkomen



WAARSCHUWING! De terugslag kan bliksemsnel, plotseling en krachtig zijn en kan ertoe leiden dat de motorzaag, het zaagblad en de ketting tegen de gebruiker slaan. Als de ketting in beweging is wanneer ze de gebruiker raakt, kan dit ernstige en zelfs dodelijke verwondingen leiden. Het is noodzakelijk om te begrijpen waardoor terugslag wordt veroorzaakt en hoe terugslag voorkomen kan worden door voorzichtig en op de juiste manier te werken.

Wat is terugslag?

Terugslag is de benaming van een plotselinge reactie waarbij de motorzaag en het zaagblad terugslaan van een voorwerp dat geraakt werd door de terugslagrisico-sector van de zaagbladpunt. (43)

Terugslag gebeurt altijd in de richting van het zaagbladoppervlak. Meestal slaan de motorzaag en het zaagblad omhoog en naar achteren naar de gebruiker toe. Maar dit kan ook in andere richtingen zijn, afhankelijk van de positie waarin de motorzaag zich bevindt op het ogenblik dat de terugslagrisico-sector in contact komt met een voorwerp.

Terugslag vindt uitsluitend plaats wanneer de terugslagrisico-sector van het zaagblad in contact komt met een voorwerp. (44)

Snoeien



WAARSCHUWING! De meeste terugslagongevallen gebeuren bij het snoeien. Gebruik de terugslagrisico-sector van het zaagblad niet. Wees uiterst voorzichtig en vermijd dat de punt van het zaagblad in contact komt met de stam, andere takken of voorwerpen. Wees uiterst voorzichtig met takken die op spanning staan. Ze kunnen naar u terugveren en ertoe leiden dat u de controle verliest, wat letsel kan veroorzaken.

Zorg ervoor dat u veilig kunt gaan en staan! Werk vanaf de linkerkant van de stam. Werk zo dicht mogelijk bij de motorkettingzaag voor een zo goed mogelijke controle. Indien mogelijk moet u het gewicht van de motorkettingzaag op de stam laten rusten.

Verplaats u uitsluitend wanneer de stam zich tussen u en de motorkettingzaag bevindt.

Stam van geveld boom doorzagen

Zie instructies in het hoofdstuk Basistechniek zagen.

Algemeen

De gebruiker mag alleen die onderhouds- en servicewerkzaamheden uitvoeren die in deze gebruiksaanwijzing worden beschreven. Meer ingrijpende maatregelen moeten door een erkende servicewerkplaats worden uitgevoerd.

Carburateurinstelling

Uw Jonsered-product is geconstrueerd en gemaakt volgens specificaties, die de schadelijke uitlaatgassen reduceren.

Werking

- Via de gasklepbediening stuurt de carburateur het toerental van de motor. In de carburateur worden brandstof en lucht vermengd. Dit mengsel (brandstof/lucht) kan worden afgesteld. Om het maximum vermogen van de machine te kunnen benutten, moet de afstelling correct zijn.
- De T-schroef regelt de positie van de gasklepbediening bij stationair draaien. Als de T-schroef met de klok mee wordt gedraaid, krijgt men een hoger stationair toerental en als ze tegen de klok in wordt gedraaid, een lager stationair toerental.

Basisafstelling en inrijden

Tijdens het testen in de fabriek wordt de basisafstelling van de carburateur uitgevoerd. Een fijnafstelling moet worden gedaan door een opgeleid, kundig persoon.

Aanbevolen stationair toerental: Zie hoofdstuk Technische gegevens.

Fijnafstelling van schroef T

Het stationair toerental wordt afgesteld met de schroef T. Als afstelling nodig is, moet u terwijl de motor draait, de schroef met de klok mee draaien tot de ketting begint te roteren. Draai daarna de schroef tegen de klok in tot de

ketting stilstaat. Het stationair toerental is correct afgesteld wanneer de motor in alle posities gelijkmatig draait en dit met een goede marge tot het toerental waarbij de ketting begint te draaien.



WAARSCHUWING! Als het stationair toerental niet zo kan worden afgesteld dat de ketting stilstaat, dient u uw dealer te raadplegen. Gebruik de motorzaag nooit voor ze correct is afgesteld of gerepareerd.

Controle, onderhoud en service van de veiligheidsuitrusting van de motorkettingzaag

Let op! Om service en reparaties aan de machine uit te voeren, is een speciale opleiding nodig. Dit geldt vooral voor de veiligheidsuitrusting van de machine.

Als de machine één van de volgende controles niet goed doorstaat, raden wij aan dat u naar uw servicewerkplaats gaat. Al het overige onderhoud dat niet in dit handboek wordt genoemd moet uitgevoerd worden door een erkende werkplaats (dealer).

Zet de motor af en maak de ontstekingskabel los vóór reparatie of onderhoud

Kettingrem met terugslagbeveiliging

Controle van slijtage aan de remvoering

Maak de kettingrem en de koppelingtrommel vrij van spaanders, hars en vuil. Vuil en slijtage hebben een negatieve invloed op het remvermogen. **(45)**

Controleer regelmatig of de dikte van de remvoering op de meest versleten plaats tenminste 0,6 mm bedraagt.

Terugslagbeveiliging controleren

Controleer of de terugslagbeveiliging geen zichtbare beschadigingen vertoont zoals materiaalbarsten.

Duw de terugslagbeveiliging naar voren en terug om te controleren of hij makkelijk loopt en of hij stabiel verankerd is bij zijn verbinding in het koppelingdeksel. **(46)**

Controle van het traagheidsmechanisme

Hou de motorzaag, met de motor uit, boven een boomstronk of een ander stabiel voorwerp. Laat de voorhandgreep los en laat de motorzaag door zijn eigen gewicht, draaiend rond de achterhandgreep, naar de stronk vallen.

Wanneer de punt van het zaagblad de stronk raakt, moet de rem geactiveerd worden. (47)

Remvermogen controleren

Plaats de motorkettingzaag op een stabiele ondergrond en start ze. Zorg ervoor dat de zaagketting niet in contact kan komen met de grond of een ander voorwerp. Zie instructies onder de kop Starten en stoppen.

Hou de motorkettingzaag stevig vast met uw duimen en vingers stevig om de handvatten.

Geef volgas en activeer de kettingrem door uw linkerpols naar de terugslagbeveiliging te bewegen. Laat het

voorste handvat niet los. **De ketting moet onmiddellijk stoppen.**

Gashendelvergrendeling

- Controleer of de gashendel vergrendeld is in de stationaire stand wanneer de gashendelvergrendeling in de oorspronkelijke stand staat.
- Druk de gashendelvergrendeling in en controleer of ze teruggaat naar de oorspronkelijke positie wanneer u haar loslaat.
- Controleer of de gashendel en de gashendelvergrendeling vlot lopen en of hun terugspringveersystemen werken.
- Start de motorkettingzaag en geef vol gas. Laat de gashendel los en controleer of de ketting stopt en stil blijft staan. Als de ketting roteert wanneer de gashendel in de stationaire stand staat, moet de stationaire instelling van de carburateur gecontroleerd worden.

Kettingvanger

Controleer of de kettingvanger niet beschadigd is en of hij vast zit in de het motorzaaghuis.

Rechterhandbescherming

Controleer of de rechterhandbeveiliging geen zichtbare beschadigingen vertoont, bijv. materiaalbarsten.

Trillingdempingssysteem

Controleer het trillingdempingselement regelmatig op materiaalbarsten en vervormingen.

Controleer of het trillingdempingselement vast verankerd is tussen de motoreenheid en de handvateenheid.

Stopschakelaar

Start de motor en controleer of de motor wordt uitgeschakeld wanneer de stopschakelaar in de stopstand wordt gezet.

Geluiddemper

Gebruik de machine nooit wanneer de geluiddemper defect is. Controleer regelmatig of de geluiddemper vastzit in de machine.

Let op: De vonkenvanger (A) op deze machine is vervangbaar. **(48)** Een beschadigd net mag nooit worden teruggeplaatst. Bij verstopping van het net zal de machine oververhitten waardoor de zuiger en cilinder kunnen worden beschadigd. Gebruik de machine nooit als de geluiddemper in slechte staat is. **Gebruik de knalpot nooit wanneer het vonkenopvangnet ontbreekt of defect is.**

De normale privégebruiker hoeft de geluiddemper en de vonkenvanger niet te vervangen.

Luchtfilter

Het luchtfilter dient regelmatig te worden schoongemaakt (stof en vuil verwijderen) om de volgende problemen te vermijden:

- Storingen van de carburateur
- Moeilijkheden bij het starten
- Vermogensverlies
- Onnodige slijtage van de motoronderdelen.
- Abnormaal hoog brandstofverbruik
- Het luchtfilter (3) wordt gedemonteerd nadat u het cilinderdeksel, de bout (1) en het luchtfilterdeksel (2) hebt weggehaald. Bij het weer in elkaar zetten dient u te controleren of het filter helemaal tegen de filterhouder ligt. Reinig het filter door het te schudden of af te borstelen. **(49)**

Voor grondiger reinigen kunt u water en zeep gebruiken.

Na een lange gebruikperiode kan het luchtfilter niet meer worden gereinigd. Daarom moet het filter regelmatig vervangen worden. **Een beschadigd luchtfilter moet altijd vervangen worden.**

Bougie

De volgende factoren zijn van invloed op de conditie van de bougie:

- Een incorrecte afstelling van de carburateur.
- Een verkeerd oliemengsel in de brandstof (te veel of verkeerde olie).
- Een vuil luchtfilter.

Deze factoren veroorzaken afzettingen op de elektroden van de bougie, wat tot motordefecten en startmoeilijkheden kan leiden.

Wanneer de machine te weinig vermogen heeft, moeilijk start of onregelmatig onbelast draait, dient u altijd eerst de bougie te controleren voor u andere maatregelen neemt. Maak de bougie schoon als ze verstopt is en controleer of de afstand tussen de elektroden 0,5 mm bedraagt. De bougie moet na een maand gebruik, of eerder indien nodig, vervangen worden. **(50)**

Let op! Gebruik steeds het correcte bougietype! Andere types kunnen de zuiger/cilinder beschadigen. Zorg ervoor dat de bougie zog. radio-ontstoring heeft.

ONDERHOUD

Onderhoudsschema

Hieronder volgt een lijst van het onderhoud dat aan de machine moet worden uitgevoerd. De meeste punten staan beschreven in het hoofdstuk Onderhoud.

Dagelijks onderhoud (ledere 5-10 u)	Wekelijks onderhoud (ledere 10-25 u)	Maandelijks onderhoud (ledere 25-40 u)
Maak de machine uitwendig schoon.	Controleer de starter, het starterkoord en de retourveer.	Controleer de remvoering van de kettingrem op slijtage. Vervang deze wanneer minder dan 0,6 mm over is op de meest versleten plaats.
Controleer of de delen van de gashendel goed werken. (Gashendelvergrendeling en gashendel.)	Controleer of de trillingsdempingselementen niet beschadigd zijn.	Controleer het centrum van de koppeling, de koppelingtrommel en de koppelingveer op slijtage.
Maak de kettingrem schoon en controleer de remfunctie. Controleer de kettingvanger op beschadigingen en vervang indien nodig.	Verwijder eventuele braam op de zijkanen van het zaagblad met een vijl.	Maak de bougie schoon. Controleer of de afstand tussen de elektroden 0,5 mm bedraagt.
Het zaagblad moet voor evenwichtig afslijten dagelijks worden omgekeerd. Controleer of de smeeroening niet verstopt is. Maak de groef schoon. Als het zaagblad uitgerust is met een poelie, moet die gesmeerd worden.	Maak de carburateurruimte schoon.	Maak de buitenkant van de carburateur schoon.
Controleer of de ketting en het zaagblad voldoende olie krijgen.	Maak het luchtfilter schoon. Vervang het indien nodig.	Controleer het brandstoffilter en de brandstofleidingen. Vervang indien nodig.
Controleer de zaagketting op zichtbare barsten in klinken en schakels, of de ketting stijf is en of klinken en schakels abnormaal versleten zijn. Vervang indien nodig.		Leeg de brandstoftank en maak deze inwendig schoon.
Slijp de ketting en controleer de conditie en de spanning. Controleer het kettingwiel op abnormale slijtage, vervang indien nodig.		Leeg de olietank en maak deze inwendig schoon.
Maak de luchtinlaat van de starter schoon.		Controleer alle kabels en aansluitingen.
Controleer of de bouten en moeren en vastgedraaid zijn.		
Controleer of de stopschakelaar werkt.		
Controleer of er brandstof lekt uit motor, tank of brandstofleidingen.		

Technische gegevens

	CS 2234	CS 2238
Motor		
Cilinderinhoud, cm ³	38	38
Slaglengte, mm	32	32
Stationair toerental, t/min	3000	3000
Vermogen, kW	1,4/9000	1,5/9000
Ontstekingsstelsel		
Bougie	Champion RCJ 7Y	Champion RCJ 7Y
Elektrodenafstand, mm	0,5	0,5
Brandstof-/smeersysteem		
Inhoud benzinetank, liter	0,3	0,3
Capaciteit oliepomp bij 8.500 omw./min., ml/min.	7	7
Inhoud olietank, liter	0,19	0,19
Type oliepomp	Automatisch	Automatisch
Gewicht		
Motorzaag zonder zaagblad, ketting en met lege tanks, kg	4,7	4,7
Lawaai-emissie (zie opm. 1)		
Geluidsvermogen, gemeten dB(A)	115	115
Geluidsvermogen, gegarandeerd L _{WA} dB(A)	118	118
Geluidsniveau (zie opm. 2)		
Equivalent geluidsniveau bij oor van de gebruiker, dB(A)	100,6	100,6
Equivalent trillingsniveau, a_{hveq} (zie opm. 3)		
Voorste handvat, m/s ²	3,7	3,7
Achterste handvat, m/s ²	5,1	5,1
Ketting/zaagblad		
Standaard zaagbladlengte, duim/cm	14/35, 16/40	14/35, 16/40
Aanbevolen zaagbladlengtes, duim/cm	14/35, 16/40	14/35, 16/40
Effectieve zaaglengte, duim/cm	13,5/34, 15,5/39	13,5/34, 15,5/39
Steek, duim/mm	3/8 / 9,52	3/8 / 9,52
Dikte van de aandrijfschakel, duim/mm	0,050/1,3	0,050/1,3
Type aandrijfwielen/aantal tanden	6	6
Kettingsnelheid bij maximum vermogen, m/sec.	17,1	17,1

Opm.1: Emissie van geluid naar de omgeving gemeten als geluidsvermogen (L_{WA}) volgens EG-richtlijn 2000/14/EG.


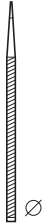
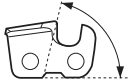
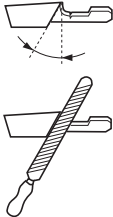

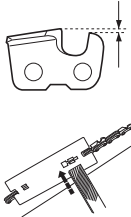
Opm. 2: Het equivalente geluidsdrukkniveau, volgens ISO 22868, wordt berekend als de tijdsgewogen energiesom van de geluidsdrukkniveaus onder verschillende werkomstandigheden. De typische statistische spreiding voor het equivalente geluidsdrukkniveau geeft een standaardafwijking van 1 dB (A).

Opm. 3: Het equivalente trillingsniveau, volgens ISO 22867, wordt berekend als de tijdsgewogen energiesom van de trillingsniveaus onder verschillende werkomstandigheden. De gerapporteerde gegevens voor het equivalente trillingsniveau vertonen een typische statistische spreiding (standaardafwijking) van 1 m/s².

Zaagblad- en kettingcombinaties

De volgende snijuitrustingen zijn goedgekeurd voor de modellen Jonsered CS2234 en CS2238.

Zaagblad				Ketting	
Lengte, duim	Steek, duim	Spoorbreedte, mm	Maximum aantal tanden neuswiel	Type	Lengte, aandrijfschakels (stuk)
14	3/8	1,3	7T	Jonsered H37	52
16	3/8		7T		56
18	3/8		7T		62

					
	inch/mm				inch/mm
H37	5/32/4,0	80°	30°	0°	0.025/0,65

EG-verklaring van overeenstemming

(Alleen geldig voor Europa)

Husqvarna AB, SE-561 82 Huskvarna, Zweden, tel: +46-36-146500, verklaart hierbij dat de **Jonsered motorkettingzagen CS 2234 en CS 2238** met een serienummer uit 2009 en verder (het jaar met daaropvolgend een serienummer wordt duidelijk aangegeven op het productplaatje), in overeenstemming zijn met de voorschriften in de RICHTLIJN VAN DE RAAD:

- van 17 mei 2006 "betreffende machines" **2006/42/EG**
- van 15 december 2004 "betreffende elektromagnetische compatibiliteit" **2004/108/EEC**.
- van 8 mei 2000 "betreffende geluidsemissie door materieel voor gebruik buitenshuis" **2000/14/EG**.

Voor informatie betreffende lawaaiemissies, zie hoofdstuk Technische gegevens. De volgende normen zijn van toepassing: **EN ISO 12100-2:2003, CISPR 12:2001, EN ISO 11681-1:2004**

Aangemelde instantie: **0404, SMP Svensk Maskinprovning AB**, Fyrisborgsgatan 3, SE-754 50 Uppsala, Zweden, heeft een EG-typecontrole uitgevoerd volgens artikel 12, punt 3b, van de machinerichtlijn (2006/42/EG). De certificaten van de EG-typecontrole volgens bijlage IX hebben nummer: **0404/09/2048**.

Verder heeft SMP, Svensk Maskinprovning AB, Fyrisborgsgatan 3, SE-754 50 Uppsala, Zweden, een verklaring afgegeven van overeenstemming met bijlage V van de richtlijn van de raad van 8 mei 2000 "betreffende geluidsemissie door materieel voor gebruik buitenshuis" 2000/14/EG. De certificaten hebben nummer: **26/161/001 26/161/003 - CS 2234, 26/161/004 - CS 2238**.

De geleverde motorkettingzaag komt overeen met het exemplaar dat een EG-typecontrole heeft ondergaan.

Huskvarna, 29 december 2009



Ronnie E. Goldman, Technische directeur. (erkende vertegenwoordiger voor Husqvarna AB en verantwoordelijk voor technische documentatie).

Değerli Müşterimiz,

Bir Jonsered ürünü aldığınız için sizi kutlarız.

Ürünlerimizi kalite ve performans açısından büyük bir memnuniyetle uzun yıllar kullanacağımıza inancımız tamdır. Ürünlerimizden herhangi birini satın almanız, gerektiğinde profesyonel onarım ve servis hizmetlerine ulaşmanızı sağlar. Makinenizi satın aldığımız yer yetkili bayilerimizden biri değilse, size en yakın servis istasyonunun adresini isteyin.

Dileğimiz, ürünümüzden memnun kalmanız ve uzun yıllar kullanmanızdır. Bu kullanım kılavuzunu değerli bir belge olarak koruyun.' İçinde önerilenleri (kullanım, servis, bakım, vs.) yerine getirerek makinenizin ömrünü uzatabilir ve elden düşme satış değerini artırabilirsiniz.' Bir gün makinenizi satarsanız, yeni sahibine kullanım kılavuzunu da vermeyi ihmal etmeyin.'

Jonsered makinenizi güle güle kullanın!

Jonsered ürünlerini sürekli olarak geliştirmeye çalışmaktadır, bu yüzden ürünlerin biçim ve görünüşleri konusunda önceden haber vermeksizin değişiklik yapma hakkımız saklıdır.

Makinenin üzerindeki semboller:

UYARI! Motorlu biçki tehlikeli olabilir! Dikkatsiz ya da yanlış kullanıldığında, kullanan kişinin ya da başkalarının yaralanmasına ya da ölümüne neden olabilir.



Makineyi kullanmadan önce kullanım kılavuzunu iyice okuyarak içeriğini kavrayınız.



Her zaman kullanılmas gereken malzemeler:

- Onanmış koruyucu miğfer
- Onanmış koruyucu kulaklık
- Koruyucu gözlük ya da yüz siperi



Bu ürün geçerli CE direktiflerine uygundur.



Çevreye verdiği gürültü emisyonları Avrupa Birliği'nin direktiflerine uygundur. Makinenin emisyonları Teknik bilgiler bölümünde ve etikette belirtilmiştir.



Kullanıcı zincirli testereyi her zaman iki eliyle tutarak kullanmalıdır.



Bir zincirli testereyi hiçbir zaman sadece tek elinizle tutarak kullanmayın.



Kılavuz çubuğun ucunun herhangi bir nesneye temas etmesi önlenmelidir.



UYARI! Çubuğun ucu bir nesneye temas ederse, çubuğu kullanıcı yönünde geri yukarıya doğru fırlatacak bir geri tepme oluşabilir. Bu durumda kullanıcı ciddi biçimde yaralanabilir.



Zincir freni etkin (sol) Zincir freni etkin değil (sağ)



Makina üzerindeki diğer semboller/etiketler kimi pazarlarda onay almak için gerekli özel koşullarla ilgilidir.

Motorlu biçkίδα ne nedir? (1)

1	Bilgi ve uyarı etiketi
2	Silindir kapađı
3	Yakıt pompası
4	Çalıştırma tutacađı
5	Jikle/Kelebek kilidi
6	Stop düğmesi (Ateşleme açıp-kapatma düğmesi.)
7	Arka sap
8	Yakıt deposu
9	Ayar düğmesi, karbüratör
10	Çalıştırma aracı
11	Zincir yađı deposu
12	Ürün ve seri numara plakası
13	Kelebek kilidi (Gaz ayarının kazara çalışmasını engeller.)
14	Ön kulp
15	Geri tepme önlemi
16	Susturucu
17	Biçki kılıcı
18	Burun dişlisi
19	Biçki zinciri
20	Ağaç kabuđu desteđi
21	Zincir tutucusu
22	Zincir gerici vida
23	Zincir frenli bağlantı kutusu
24	Sađ el koruyuculu arka tutma yeri
25	Gaz ayarı
26	Kullanım kılavuzu
27	Anahtar
28	Kılıç koruyucusu

İçindekiler

GİRİŞ

Deđerli Müşterimiz,	466
Makinenin üzerindeki semboller:	466
Motorlu biçkίδα ne nedir?	467

İÇİNDEKİLER

İçindekiler	467
-------------------	-----

GENEL GÜVENLİK AÇIKLAMALARI

Yeni bir biçkinin kullanımasından önce	468
Önemli	468
Her zaman sađduyulu davranın.	468
Kişisel koruyucu araçlar	469
Makinenin güvenlik donanımı	469
Kesici gereçler	470

MONTAJ

Kılıç ve zincirin montajı	473
---------------------------------	-----

YAKIT KULLANIMI

Çalıştırıcı	474
Yakıt ikmali	474
Yakıt güvenliği	474

ÇALIŞTIRMA VE DURDURMA

Çalıştırma ve durdurma	475
------------------------------	-----

ÇALIŞMA TEKNİKLERİ

Kullanımdan önce:	476
Genel çalışma açıklamaları	476
Geri tepmeyi önleyici önlemler	479

BAKIM

Genel	480
Karbüratör ayarı	480
Motorlu biçki makinesi güvenlik donanımının kontrol, bakım ve servisi	480
Susturucu	481
Hava filtresi	481
Buji	481
Bakım şeması	482

TEKNİK BİLGİLER

Teknik bilgiler	483
Kılıç ve zincir bileşimleri	484
Uygunluk konusunda AB deklarasyonu	484

Yeni bir bıçkının kullanılmasından önce

- Talimatları dikkatlice okuyun.
- (1) - (50) sayfa. 2-5'teki şekillere bakın.
- Kesme teçhizatının montaj ve ayarını kontrol ediniz. Montaj bölümündeki talimatlara bakınız
- Doldurun ve testereyi çalıştırın. Yakıt konusu ve Çalıştırma ve Durdurma başlıkları altındaki talimatlara bakın.
- Bıçkı zincirine yeterli zincir yağı ulaşmadan önce bıçkıyı kullanmayınız. Kesici araçları yağlama başlıklı bölümdeki talimatlara bakınız.
- Kesme işlemini yaparken uzun süre gürültüye maruz kalmalı, duyma bozukluğuna yol açabilir. Bu nedenle daima onaylanmış bulunan, gürültüye karşı koruma cihazı kullanınız.



UYARI! İmalatçının izni olmaksızın makinenin orijinal yapısı hiçbir biçimde değiştirilemez. Her zaman orijinal yedek parça kullanılmalıdır. Yetkili olmayan kişiler tarafından yapılan değişiklikler ve/veya orijinal olmayan parçalar, kullanıcının yaralanmasına ya da ölümüne neden olabilir.



UYARI! Motorlu bıçkı, yanlış ya da dikkatsiz kullanılması durumunda, ciddi, hatta ölümcül sakatlıklara neden olabilmektedir. Bu nedenle, elinizdeki kitapçığı okuyarak içeriğini anlamak büyük önem taşımaktadır.



UYARI! Susturucunun içinde kanserojen olabilecek kimyasal maddeler bulunmaktadır. Susturucunun hasar görmesi durumunda bu maddelere temas etmeyin.



UYARI! Motorun egzoz dumanını, zincir yağı buğusunu ve talaş tozunu uzun süreli solumak sağlığınız için zararlı olabilir.



UYARI! Bu makine, çalışması sırasında bir elektromanyetik alan oluşturur. Bu alan, bazı koşullarda aktif veya pasif tıbbi implantlarda girişime neden olabilir. Ciddi veya ölümcül yaralanma riskini azaltmak için, tıbbi implantlar takılı kişilerin, bu makineyi çalıştırmadan önce doktorlarına ve tıbbi implant üreticisine danışmanlarını öneririz.

Önemli

ÖNEMLİ!

Makine yalnız tahta kesmek için tasarlanmıştır.

Kesme cihazları için motor parçası olarak kullanabileceğiniz araç-gereçlerin kaynaklarını size tavsiyede bulunduğumuz Teknik veri bölümünde bulabilirsiniz.

Yorgunsanız, alkollüyseniz, görme veya muhakeme yeteneğinizi veya koordinasyonunuzu zayıflatılacak ilaçlar aldıysanız makineyi asla kullanmayın.

Kişisel koruyucu araçlar kullanınız. Kişisel koruyucu araçlar bölümüne bakınız.

Makineyi orijinal tasarımından uzaklaşacak biçimde modifiye etmeyin, başkası tarafından modifiye edilmiş gibi görünüyorsa kullanmayın.

Hatalı bir makineyi asla kullanmayınız. Elinizdeki broşürde bulunan bakım, denetim ve servise ilgili açıklamaları izleyiniz. Kimi bakım ve servis önlemleri, deneyimli ve kalifiye ustalar tarafından yapılmalıdır. Bakım bölümüne bakınız.

Bu kullanım kılavuzunda önerilen yedek parçalardan başkasını asla kullanmayınız. Kesici gereçler ve Teknik bilgiler bölümlerine bakınız.

DİKKAT! Fırlayan nesnelere dolaylı olarak oluşabilecek yaralanma riskini engellemek için her zaman koruyucu maske veya koruyucu gözlük kullanın. Testere küçük tahta parçalarını veya talaş vb. büyük bir güçle fırlatabilir. Bu durumda, özellikle gözlerde ciddi yaralanmalar oluşabilir.



UYARI! Kapalı veya havalandırmasız bir alanda motor çalıştırmak, boğulma veya karbon monoksit zehirlenmesi sonucunda ölüme yol açabilir.



UYARI! Yanlış bir kesici gereç ya da yanlış bir kılıç/zincir bileşimi geri tepme tehlikesini artırır. Yalnızca önerdiğimiz kılıç/zincir bileşimini kullanınız. Teknik veriler başlığı altındaki talimatları okuyun.

Her zaman sağlıklı davranın. (2)

Testere kullanırken karşılaşılabileceğiniz tüm olası durumları engellemek mümkün değildir. Her zaman dikkatli çalışın ve sağduyunuzu kullanın. Becerinizi aşacağımı düşündüğünüz durumların ortaya çıkmasına izin vermeyin. Bu talimatları okuduktan sonra yine de çalışma prosedürleri konusunda kararsızsanız devam etmeden önce bir uzmana danışın. Testerenin kullanımı hakkındaki sorularınız varsa satınıza veya bize sormaktan çekinmeyin. Size hizmet etmekten ve testerenizi verimli ve güvenli biçimde kullanmanıza yardımcı olmaktan veya bu konuda önerilerde bulunmaktan mutlu olacağız. Mümkünse testere kullanımıyla ilgili olarak bir kursa katılın. Satıcınızdan, ormancılık okullarından veya kütüphanenizden katılabileceğiniz kurslar veya eğitim dokümanlarıyla ilgili bilgi edinebilirsiniz. Güvenliğiniz ve daha yüksek verim alabilmeniz için tasarımı ve teknolojiyi geliştirmek amacıyla çalışmalarımız devam etmektedir. Yeni özellikleri görmek ve bunlardan yararlanabilmek için satıcınızı düzenli olarak ziyaret edin.

Kişisel koruyucu araçlar



UYARI! Kazaların büyük çoğunluğu, zincirin kullanıya değmesiyle ortaya çıkar. Makineyi her kullandığınızda, onaylanmış kişisel koruyucu araçlar kullanmalısınız. Kişisel koruyucu araçlar sakatlanma tehlikesini ortadan kaldırmaları da, herhangi bir kazanın meydana gelmesi durumunda yaralanma derecesini azaltırlar. Uygun kişisel koruyucu araçlar seçmekte satıcınızın yardımını isteyiniz.

- Onanmış koruyucu miğfer
- Gürültüye karşı kulaklık
- Koruyucu gözlük ya da yüz siperi
- Bıçkıya karşı koruyucu eldiven
- Testere korumalı pantolonlar
- Bıçkıya karşı koruyucu, çelik burunlu, kaymaz çizme
- İlk yardım çantası her zaman kolay ulaşılabilir yerde olmalıdır.
- Yangın söndürücü ve küreke

Genel olarak giysiler sıkı, fakat hareket olanağınız sınırlanacak biçimde olmalıdır.

ÖNEMLİ! Susturucudan, çubuktan, zincirden veya başka kaynaklardan kavlucular çıkabilir. İhtiyacınız olabileceğini düşünerek yangın söndürme ekipmanlarını her zaman yakınızdaki bulundurun. Böylece olası orman yangınlarını engelleyebilirsiniz.

Makinenin güvenlik donanımı

Bu bölümde, makinenin güvenlik donanımı konusunda ayrıntılar neler olduğu, bunların hangi işlemlere sahip bulunduğunu ve doğru çalışıp çalışmadığına emin olmak için kontrol ve bakımının nasıl gerçekleştirileceği açıklanmaktadır. Bu teçhizatın makinenin neresinde olduğunu görmek için Ne nedir? bölümüne bakınız.

Makine doğru bir şekilde kullanılmaz ve gerekli onarımlar ve bakımlar yetkili servis ve bilirkişiler tarafından yapılmazsa, o takdirde makinenin ömrünün uzunluğu kısabilir ve kaza riski artabilir. Eğer daha fazla bilgiye ihtiyaç duyuyorsanız, en yakın servis istasyonuna başvuruda bulununuz.



UYARI! Bozuk güvenlik gereçlerine sahip bir makineyi asla kullanmayınız. Bu bölümde belirtilen kontrolleri ve bakım önlemlerini uygulayınız. Makinenin bu denetimlerden herhangi birinde takılırsa onarım için servis ajanınıza başvurunuz.

Geri tepmeyi önleyici zincir freni

Geri tepme durumlarında zinciri durdurmak için testerenizde bir zincir freni mevcuttur. Zincir freni kaza riskini azaltır ama kazaları yalnız siz önleyebilirsiniz.

Kullanım sırasında dikkatli olunuz ve kılıç bölümündeki geri tepme tehlikesi alanının başka bir şeyle temas etmemesine özen gösteriniz.

- Zincir freni (A) manüel olarak (sol elinizle) veya otomatik sıkışma önleyici mekanizma ile etkinleştirilebilir. (3)

- Geri tepmeyi önleyici (B) ileriye doğru itildiği zaman fren çalışır. (3)
- Resimde görülen hareket, motorun zincir döndürücü sistemi (D) çevresindeki fren bandını (C) geren yaylı bir mekanizmayı harekete geçirir (Debriyaj Rulosu). (4)
- Geri tepmeyi önleyici yalnızca zincir frenini harekete geçirmek üzere yapılmamıştır. Önemli bir diğer işlevi de, en önde tutacağı elden çıkması durumunda, sol elin zincire çarpması tehlikesini azaltmaktadır.
- Testere çalıştırıldığında zincirin dönmelerini engellemek için zincir freninin etkinleştirilmesi zorunludur.
- Testereyi çalıştırmak ve kısa mesafede bir yere götürürken, zincirin birisine veya yakınındaki nesnelere çarpma riskini engellemek için zincir frenini "park freni" olarak kullanın.
- Zincir freni, geri tepmeyi önleyicinin en önde kulpa doğru, geriye çekilmesi biçiminde boşa alınabilir.
- Geri tepme çok ani ve sert olabilir. Çoğu geri tepme hafiftir ve her zaman zincir frenini harekete geçirmez. Böylece durumlarda motorlu bıçkıyı sağlam tutarak elden bırakmayınız.
- Zincir freninin, elle ya da yavaşlatma işlevi ile nasıl etkinleştirileceği, geri tepmenin ne denli sert olduğuna ve motorlu bıçkın, kılıç kesimi geri tepme tehlikesi sektörünün temas ettiği şey karşısındaki konumuyla belirlenir.
- Çubuğun geri tepme alanı sizden en uzak konumdayken güçlü bir geri tepme oluşursa, zincir freni geri tepme yönündeki karşı ağırlığı (eylemsizlik ile etkinleştirme) hareketi ile etkin hale gelecek biçimde tasarlanmıştır.
- Geri tepme tehlikesi sektörünün kullanıcısına yakın bulunduğu daha hafif geri tepme ya da çalınma durumlarında, zincir freni sol elle devreye sokulur.
- Devrilme durumunda sol elin zincir frenini manüel olarak etkinleştirilmesi olanaksızdır. Bu biçimde tutulduğunda, yani sol el el koruyucusunun hareketini etkileyemeyecek konumdayken, zincir freni yalnız eylemsizlik hareketi ile etkinleşir.

Geri tepme durumunda elim her zaman zincir frenini etkinleştirir mi?

Hayır. Geri tepme korumasını ileri hareket ettirmek için belirli bir güç gerekir. Eliniz geri tepme korumasına hafifçe dokunursa veya üzerinden geçerse zincir frenini harekete geçirecek kadar güçlü olmayabilir. Ayrıca çalışırken testerenin tutma yerini sıkıca tutmanız gereklidir. Bunu yaptığınızda geri tepme oluşursa, önde tutacak yeri bırakıp zincir frenini etkinleştirirken mümkün olmayabilir, veya zincir freni bir süre daha dönmeye devam edebilir. Böyle bir durumda zincir freni testere size temas etmeden durmayabilir.

Bazı çalışma pozisyonlarında eliniz zincir frenini etkinleştirmek için geri tepme korumasına erişemeyebilir; örneğin testere devrilme durumunda tutulurken.

Geri tepme her oluştuğunda zincir freninin eylemsizlik etkinleştirilmesi devreye girer mi?

Hayır. Önce freniniz çalışmalıdır. Freni denemek basittir; Testere güvenlik ekipmanları için Kontrol, bakım ve servis başlığının altındaki talimatları okuyun. Bunu her vardiya başlangıcından önce uygulamanızı öneririz. İkinci olarak, geri tepme zincir frenini etkinleştirecek kadar güçlü olmalıdır. Zincir freni hemen etkinleşecek kadar hassas olsaydı sorunlar çıkabilirdi.

Geri tepme oluştuğunda zincir freni beni her zaman korur mu?

Hayır. Hedeflenen korumayı sağlayabilmesi için öncelikle frenin çalışması gerekir. İkincisi, geri tepme durumunda testereyi durdurabilmesi için yukarıda tanımlandığı biçimde etkinleştirilmelidir. Üçüncü olarak, zincir freni etkinleştirilse bile çubuk size çok yakınsa zincir freni zinciri testere size temas etmeden zinciri yavaşlatıp durduramayabilir.

Sadece doğru çalışma tekniği ve siz geri tepmeleri ve risklerini engelleyebilirsiniz.

Kelebek kilidi

Gaz açma kapama tetiği kilidi, gaz açma kapamanın yanlışlıkla çalışmasını önlemek için tasarlanmıştır. Kilide (A) bastığınızda (yani tutma yerini elinizle kavradığınızda) gaz açma kontrolü (B) açılır. Tutma yeri bıraktığınızda, gaz açma tetiği ve kilidi tekrar eski konumlarına döner. Bu ayarlama, gaz açma kapamanın boşta çalışma sırasında otomatik olarak kilitleneceği anlamına gelir. (5)

Zincir tutucusu

Zincir tutucusu, düşmüş ya da kırılmış bir zinciri tutmak üzere yapılmıştır. Bu tür olaylar, sağlam bir zincir gerilimi (Montaj bölümüne bakınız), gerçek bir bakım ve kılıf ile zincirin servisini yapmakla önlenebilir. Genel çalışma açıklamaları adlı bölüme bakınız.

Sağ el koruyucusu

Sağ el koruyucusu, zincirin yerinden çıkması durumunda eli korumasızlığı yanısıra dal ve çubukların, elinizi etkilemesini de önler.

Titreşimden arındırma sistemi

Makineniz, elden geldiğince, titreşimsiz ve kolay bir kullanım için tasarlanmış bir titreşimden arındırma sistemi ile donatılmıştır.

Makinenizin titreşimden arındırma sistemi, titreşimin motor birimi/kescici araç ile makinenizin sapı arasındaki iletişimini önlemektedir. Kescici araçla birlikte bıçkı gövdesi, titreşimden arındırma birimleri aracılığıyla el sapından izole edilmiştir.

Sert bir ağacın (yapraklı ağaçların çoğu) kesimi, yumuşak bir ağacın (çiplak ağaçların hemen tümü) kesimine oranla daha fazla titreşime neden olur. Keskin olmayan ya da yanlış bir kescici (yanlış tip ya da yanlış eğelenmiş) titreşim düzeyini artırır.



UYARI! Dolaşım bozukluğu olan insanlarda fazla titreşime maruz kalmak dolaşım bozukluğuna veya sinir hasarına neden olabilir. Fazla titreşime maruz kalma belirtileri hissediyorsanız doktorunuza başvurun. Bu belirtilerden bazıları; uyuşma, hissizlik, gıdıklanma, iğne batması, ağrı, güç kaybı, cilt renginde veya durumunda değişikliklerdir. Bu belirtiler genelde parmaklarda, ellerde veya bileklerde görülür. Bu belirtiler soğuk havalarda daha da kötüleşebilir.

Stop düğmesi

Stop düğmesi, motoru durdurmak için kullanılır.

Susturucu

Susturucu, gürültü seviyesini düşürmek ve egzoz dumanını kullanıcıdan uzaklaştırmak için tasarlanmıştır.



UYARI! Egzoz dumanları sıcaktır ve yangına neden olabilecek kıvılcıklar da taşıyabilmektedir. Bu nedenle hiçbir biçimde makineyi kapalı yerde ve kolay tutuşabilir maddelerin yakınında çalıştırmayınız!

Sıcak ve kuru iklimle sahip ülkelerde orman yangını riski çok fazladır. Bu ülkelerdeki kanunlar veya kurallar susturucuya diğer ekipmanlar haricinde "kıvılcım önleyici izgara" monte edilmesini zorunlu kılabilir (A). (6)



DİKKAT! Susturucu kullanım sonrasında kapatıldığında çok sıcak olabilir. Bu, boşta çalışma durumunda da geçerlidir. Özellikle yanıcı maddelerin ve/veya gazların yakınında çalışırken yangın tehlikesine dikkat edin.



UYARI! Susturucusu yoksa veya bozursa testereyi asla kullanmayın. Bozuk bir susturucu ses düzeyini ve yangın riskini ciddi biçimde artırır. Yakınımda yangın söndürücü ekipman bulundurun. Çalışma bölgenizde zincir koruma ızgarası kullanmak zorunluysa, kıvılcım önleyici ızgaranız yoksa veya bozursa testereyi kullanmayın.

Kescici gereçler

Bu bölüm, aşağıdaki amaçları gerçekleştirmek için uygun kescici gereçlerin seçim ve bakımını nasıl yapacağınızı anlatmaktadır:

- Makinenin geri tepme eğilimini azaltmak.
- Testerenin kırılma veya zıplama riskini azaltmak.
- En yüksek kesim yeteneğini elde etmek.
- Kescici gereçlerin ömrünü uzatmak.
- Titreşim düzeylerinin artmasına engel olun.

Temel kurallar

- **Yalnızca bizim önerdiğimiz kescici gereçleri kullanınız!** Teknik veriler başlığı altındaki talimatları okuyun.
- **Zincirin kescici dişlerini mükemmel bir keskinlikte tutunuz!** Açıklamalarımızı izleyerek önerdiğimiz eğeleme kalıbını uygulayınız. Düzgün olmayan ya da bozuk bir zincir kaza tehlikesini artırır.
- **Bakımda doğru tırmık açıklığı ayarlamaya dikkat edin!** Talimatlara uyun ve önerilen tırmık ölçeklerini kullanın. Çok geniş bir açıklık geri tepme riskini artırır.
- **Zinciri düzgün tutunuz!** Yeterince düzgün olmayan bir zincir, zincirin yerinden çıkması tehlikesini ve kılıcın, zincirin ve zincir dişlisinin aşınmasını artırır.
- **Zinciri çok iyi yağlanmış ve bakımlı olarak tutunuz!** Yeterince yağlanmamış bir zincir, zincirin yerinden çıkması tehlikesini ve kılıcın, zincirin ve zincir dişlisinin aşınmasını artırır.

Kesme ekipmanları geri tepmeyi minimize edecek biçimde tasarlanmıştır.



UYARI! Yanlış bir kesici gereç ya da yanlış bir kılıç/zincir bileşimi geri tepme tehlikesini artırır. Yalnızca önerdiğimiz kılıç/zincir bileşimini kullanınız. Teknik veriler başlığı altındaki talimatları okuyun.

Geride tepme ancak, kullanıcı olarak sizin, kılıç geri tepme tehlikesi sektörünün başka bir şekilde temas etmemesine özen göstermenizle önenebilir.

Geride tepmeyi ortadan kaldırma özelliği "taşıyan" kesici gereçler kullanarak ve bileyleme ve zincirin doğru bakımını yaparak geri tepme tehlikesi ortadan kaldırılabılır.

Kılıç

Daha küçük burun eğilimi daha az geri tepme tehlikesi; bununla birlikte daha düşük geri tepme eğilimi demektir.

Bıçkı zinciri

Bir bıçkı zinciri, hem standart hem de geri tepmeyi ortadan kaldıran özelliklerde olmak üzere pek çok değişik doğrultulardan meydana gelmektedir.

ÖNEMLİ! Hiçbir testere geri tepme riskini tamamen ortadan kaldıramaz.



UYARI! Dönen bir testere zinciriyle herhangi bir temas çok ciddi yaralanmalara yol açabilir.

Kılıç ve zincirin özelliklerine ilişkin birkaç deyim

Zincir ekipmanlarının tüm güvenlik özelliklerini sağlayabilmek için yıpranmış ve zarar görmüş çubuk/zincir kombinasyonlarını Jonsered tarafından önerilen çubuk ve zincirlerle değiştirin. Hangi çubuk/zincir kombinasyonlarını önerdiğimiz öğrenmek için Teknik veriler bölümündeki talimatları okuyun.

Kılıç

- Uzunluk (inç/cm)
- Burun dişlisindeki toplam diş sayısı (T).
- Bıçkı zincirinin dağılımı (=pitch) (inç). Kılıcın burun dişlisi ve motorlu bıçkın dördüncü dişlisi, çekiş doğrultuları arasındaki mesafeye uygun olmalıdır.
- Çekiş doğrultusu sayısı (tane). Herbir kılıç uzunluğu bıçkı zincirinin dağılımına ve burun dişlisindeki toplam diş sayısına bağlı olarak belirli sayıda çekiş doğrultusu sağlar.
- Kılıç izi genişliği (inç/mm). Kılıç izinin genişliği, bıçkı zincirinin çekiş doğrultu genişliğine uygun olmalıdır.
- Bıçkı zinciri yağ deliği ve zincir gerilimi için delik. Kılıç, motorlu bıçkın yapısına uygun olmalıdır.

Bıçkı zinciri

- Bıçkı zincirinin dağılımı (=pitch) (inç)
- Çekiş doğrultusu genişliği (mm/inç)
- Çekiş doğrultusu toplamı (tane)

Zinciri bileylemek ve tırmık açıklığını ayarlamak



UYARI! Ellerinizi yaralanmalara karşı korumak için zincir üzerinde çalışırken her zaman eldiven takın.

Genel olarak dişlerin bileylemesi üzerine

- Asla körleşmiş zincir kullanmayın. Zincir körleşmiş tahtayı kesmek için çubuğa daha fazla güç uygulamanız gerekir ve kesikler çok küçük olur. Çok fazla körleşmiş bir zincir hiç kesmez. Sadece talaş üretir.
- Keskin bir zincir tahta içinde daha rahat yol alır ve uzun ve geniş kesikler oluşturur.
- Zincirin kesen kısmı kesici bağlantı olarak adlandırılır ve kesme dışından (A) ve tırmık ağzından (B) oluşur. Kesme derinliğini bu ikisinin yüksekliği arasındaki fark belirler. (7)

Kesici dişi bileyleirken hatırlanması gereken dört önemli etken vardır.

- 1 Eğeleme açısı
- 2 Çarpma açısı
- 3 Eğenin konumu
- 4 Yuvarlak ege çapı

Yardımcı gereçler olmaksızın motorlu bıçkın düzgün bileylemesi çok zordur. Bundan ötürü bizim ege kalıbımızı kullanmanızı öneririz. Böylece motorlu bıçkın, olabildiğince geri tepmeyi önleme ve en yüksek bileyleme kapasitesi güvence altına alınmış olur.

Motorlu bıçkın bileylemesine ilişkin hangi bilgilerin geçerli olduğunu öğrenmek için Teknik bilgiler bölümüne bakınız.



UYARI! Bileyleme ile ilgili aşağıdaki aşamalı açıklamalar geri tepme eğilimini önemli ölçüde artırır:

Bıçkı dişinin bileylemesi

Bıçkı dişinin bileylemesi için bir yuvarlak ege ile bir ege kalıbı gerekmektedir. Motorlu bıçkın bıçkı zincirine hangi yuvarlak ege çapı ile hangi ege kalıbını önerildiğini öğrenmek için Teknik bilgiler bölümüne bakınız.

- Zincirin gergin olmasına dikkat ediniz. Yeterli olmayan bir gerginlik zincirin yüzey doğrultusundaki dengesini bozar ve düzgün bir bileylemeyi zorlaştırır.
- Her zaman dişi içeriden dışarıya doğru eğeleiniz. Eğeyi geri çekerken bastırmayınız. Tüm dişlerin önce bir yüzünü eğeleyip, daha sonra bıçkıyı döndürerek öbür taraftaki dişleri eğeleiniz.
- Tüm dişler aynı uzunlukta olacak biçimde eğeleiniz. Bıçkı dişinin uzunluğu 4 mm (0,16") kaldığında, artık zincir aşınmıştır ve atılması gerekir. (8)

Tırmık açıklığını belirlemek için genel öneriler

- Kesici dişleri bileyleirken tırmık açıklığını azaltın (kesme derinliği). Kesme performansını koruyabilmek için tırmık dişlerini önerilen yüksekliğe ayarlayın. Bıçkı zincirinizin ne kadar alt ayara sahip olması gerektiği konusunda Teknik bilgiler bölümüne bakınız.



UYARI! Tırmık açıklığı çok fazlaysa geri tepme riski artar!

Tırmık açıklığı ayarlama

- Tırmık açıklığını ayarlamadan önce kesme dişlerinin yeni bileylenmiş olması gerekir. Zinciri her üç bileylemeden sonra, tırmık açıklığını yeniden ayarlamamız öneririz. NOT! Bu öneri kesme dişleri uzunluklarının ciddi biçimde azalmadığı varsayımıyla yapılmaktadır.
- Alt ayar ayarlanması için bir yassı eğe ve bir alt ayar kalıbı gerekmektedir.
- Yassı eğeyi, alt ayar öksesinin, kalıbın üstte çıkan kesimi üzerine koyunuz. Eğe kalıbın üzerinde hareket ettiğinde herhangi bir zorluk başgöstermiyorsa alt ayar ayarlaması düzgün demektir.

Zincirin gerilimi



UYARI! Yeterince gerilmemiş bir zincir, zincirin çıkmasına, ve ciddi hatta yaşamsal anlamda bir kazaya neden olabilir.



UYARI! Her zaman onanmış koruyucu eldivenler kullanılmalıdır. Hareketli olmayan zincir de kullanıcı veya başka kişilerde ciddi yaralanmalara neden olabilir.

Zinciri kullandıkça uzar. Kesici gereçlerin bu değişim gözününe alınarak ayarlanması önem taşımaktadır.

Zincirin gerilimi her yakıt ikmalinde denetlenmelidir. NOT! Yeni bir zincir, zincir geriliminin sık sık denetlendiği bir ilk kullanım dönemi gerektirmektedir.

Genel olarak, zincirin elden geldiğince sağlam, fakat elle yoklandığında yerinden çıkmayacak bir biçimde gerilmesi gerekmektedir. (9)

- Kılıcın, zincir frenini vidalayan civata somunlarının açınız. Anahtar kullanarak kılıç somunlarını elden geldiğince sert bir biçimde çekiniz. (10)
- Kılıç ucunu kaldırıp, zincirin gerilimini sağlayan vidayı, bir anahtar yardımıyla zinciri gererek çıkarınız. Zinciri, kılıcın alt tarafını da kavrayacak biçimde geriniz. (11)
- Anahtar kullanarak, bir yandan kılıcın ucunu tutarken aynı anda kılıç somunlarını çekiniz. Kılıcın ucunu tutarak zincirin kılıç üzerinde rahatlıkla döndüğünü ve, zincirin gövdeyi sardığını ve kılıç altında boşluk kalmadığını denetleyiniz. (12)

Kesici gereçlerin yağlanması



UYARI! Kesici gereçlerin yeterince yağlanmaması zincirin kopmasına ve ciddi hatta yaşamsal anlamda bir kazaya neden olabilir.

Zincir yağı

Zincir yağı, yaz sıcaklığına ya da kişi soğuluğuna bakmaksızın, zincire iyice yapışma ve akışkanlık özelliğine sahip olmalıdır.

Motorlu biçki imalatçısı olarak, jeotarik bileşimiyle ve biyolojik olarak yok edilebilme özelliğiyle en iyi zincir yağının imal etmiş bulunmaktayız. Hem zincir, hem de çevre için en yüksek ömür sağlayan bu yağı kullanmanızı öneririz. Eğer bizim imalattığımız olan zincir yağı yoksa, normal bir zincir yağı öneririz.

Keskinlikle akışkan yağ kullanmayınız! Bu sizin için, makine için ve çevre için tehlikelidir.

ÖNEMLİ! Bitkisel tabanlı testere zinciri yağı kullanıyorsanız, uzun süre saklamak için çubuğu ve testere zincirini çıkartın, bunları ve oluşu temizleyin. Aksi takdirde testere zincirinde yağdan dolayı paslanma oluşabilir, bu da testere zincirinin katılaşmasına ve çubuğun ucundaki zincir dişlerinin kilitlenmesine neden olabilir.

Zincir yağının doldurulması

- Motorlu biçki modellerimiz çoğunda otomatik bir biçki zinciri yağdanlığı bulunmaktadır. Modellerin bir kesimi için ise yağ akış ayarlayıcısı edinmek mümkündür.
- Zincir yağının deposu ve yakıt deposu, boyutlandırılmış olduğu için zincir yağı bitmek üzereyken, yakıt tükenmesi nedeniyle motor durur. Bu ise zincirin, yağsız olması durumunda çalıştırmayacağı anlamına gelmektedir. Ancak, bu güvenlik işlevi, doğru zincir yağı kullanımını (fazla ince ve akışkan bir yağ, yakıt daha tükenmeden yağın tükenmesine yol açar) ve karbüratörün önerilen şekilde ayarını (zayıf bir ayar, yakıtın, yağdan daha uzun süre sürmesi anlamına gelebilir) gerektirir, ayrıca, önerilen kesici teçhizatı kullanmanız gerekir (fazla uzun olan bir kılıç daha fazla zincir yağı kullanacaktır). Bu koşullar ayarlanabilir bir yağ pompası bulunan modeller için de geçerlidir.

Zincir yağının denetimi

- Zincir yağın her doldurma sırasında denetleyiniz. Çubuğun ucunu yağlama başlığı altındaki talimatları okuyun. Yaklaşık olarak 20 cm (8 inç) lik bir uzaklıkta kılıç ucuna duran bir cisme doğru nişan alınız. 3/4 gazlama ile bir dakikalık bir sürüşten sonra açık renkli cismin üzerinde yağ izi görünmelidir.

Zinciri yağlaması işlemleri:

- Kılıçtaki zincir yağ kanalının açık olduğunu denetleyiniz. Gerektiğinde temizleyiniz.
- Kılıç izinin temiz olduğunu denetleyiniz. Gerektiğinde temizleyiniz.
- Kılıç burnu dişlisinin rahat hareket ettiğini ve burun dişlisi yağ deliğinin açık olduğunu denetleyiniz. Gerektiğinde temizleyiniz ve yağlayınız.

Eğer zincir yağlaması, yukarıda belirtilen şeyler yapılmasına ve önlemleri alınmasına karşın yine de işlemleri, servis atelyenize başvurunuz.

Zincir dişlisi

Kavrama kasnağına Spur zincir dişlisi takılıdır (zincir dişlisi kasnağa kaynaklanmıştır).

Zincir dişlisindeki aşınma düzeyini düzenli olarak denetleyiniz. Anormal derecede aşınmışsa, değiştiriniz. Zincir dişlisi, her zincir değiştirildiğinde yenilenmelidir.

Kesici gereçlerin aşınma denetimi

Biçki zincirinin günlük olarak aşağıdaki özellikler açısından denetleyiniz:

- Doğrultularda ve perçin çivilerinde gözle görülür çatlaklar olup olmadığı.
- Zincirin büküntüsüz olduğu.

- Doğrultularda ve perçin çivilerinde anormal aşınma olup olmadığı.

Yukarıdakilerden birine sahipse testere zincirini değiştirin.

Kullandığınız zincirin ne denli yıprandığını anlamak için ölçü olarak yeni bir zincir kullanmanız öneririz.

Kesici diş yalnızca 4 mm olarak kaldığında, zincir aşınmış demektir ve atılması gerekir.

Kılıç

Süreklili denetim:

- Kılıç diş yüzeyinde yoğunluklar oluşmuş olup olmadığını denetleyiniz. Gerekğinde eyleyiniz. (13A)
- Kılıç izinin anormal derecede yıpranıp yıpranmadığını denetleyiniz. Gerekğinde kılıç değiştiriniz. (13B)
- Kılıç burnunun pürüzlü ya da çok aşınmış olup olmadığını denetleyiniz. Kılıç burnu eğiminin bir tarafında bir oyuk oluşmuşsa bu, yeterince gerilmemiş bir zincirle çalışmış olduğunuz anlamına gelir.
- En uzun ömür için kılıcın gündelik olarak çevrilmesi gerekir.



UYARI! Kazaların büyük çoğunluğu, zincirin kullanıcıya değmesiyle ortaya çıkar.

Kişisel koruyucu araçları kullanınız. Kişisel koruyucu araçları bölümüne bakınız.

Yeterince bilmediğiniz işleri yapmayınız. Kişisel koruyucu araçları, Geri tepmeyi önleyici önlemler, Kesici gereçler ve Genel çalışma talimatları bölümüne bakınız.

Geri tepme tehlikesi olan durumlardan kaçınız. Makinenin güvenlik donanımı bölümüne bakınız.

Önerilen koruyucu araçları kullanınız ve ne durumda olduklarını denetleyiniz. Genel çalışma talimatları bölümüne bakınız.

Tüm güvenlik donanımının çalışıyor olduğunu denetleyiniz. Genel çalışma talimatları ve Genel güvenlik açıklamaları bölümlerine bakınız.

Kılıç ve zincirin montajı



UYARI! Herhangi bir kontrol veya bakım işlemi gerçekleştirilmeden önce motoru kapatın. Durdurma anahtarı otomatik olarak çalıştırma konumuna döner. Motorun istenmeden çalışmasını önlemek için montaj sırasında, motoru kontrol ederken ve/veya bakım yaparken buji kapaklarının çıkarılması gerekir.

Ellerinizi yaralanmalara karşı korumak için zincir üzerinde çalışırken her zaman eldiven takın.

Zincir freninin geri tepme önleyicisini ön kulpu sapına doğru iterek, zincir freninin yerinden çıkmış olup olmadığını denetleyiniz.

Kılıç civatasının somunlarını ve bağlantı kutusunu (zincir frenini) çıkarınız. Taşıma önlemini yerinden alınız. (A) (15)

Kılıç ve kılıç vidalarını monte ediniz. Kılıcın, en arkasından yerine yerleştiriniz. Zinciri, zincir döndürme dişlisi üzerine ve kılıç izine yerleştiriniz. Kılıcın üst tarafından başlayınız. (17)

Kesim doğrultularındaki kesici yanların, kılıcın üst tarafına doğru yönelmiş olup olmadığını denetleyiniz.

Debriyaj kapağını takın (zincir freni) ve zincir ayar pimini çubuğun içindeki deliğe yerleştirin. Zincirin tahrik bağlantılarının tahrik dişlisinin üzerine doğru şekilde takıldığından ve zincirin çubuğun içindeki oluğa düzgün şekilde yerleştikten emin olun. Çubuğun somunlarını elinizle sıkın. (17)

Zinciri, zincir gerdirici vidayı anahtarla sıkıştırarak geriniz. Zincir, kılıcın alt yüzünde herhangi bir sarkma olmayacak biçimde gerilmelidir. Testere zincirini germe başlığı altındaki talimatları okuyun. (18)

Zincir, kılıcın alt yüzünden sarkmıyorsa ve daha da elle rahat bir biçimde döndürülebiliyorsa düzgün gerilmiş demektir. Bir yandan kılıcın ucunu yukarıya doğru kaldırarak, öte yandan kılıç vidalarını anahtarla sıkıştırınız. (19)

Yeni bir zincirde zincir gerginliği sık sık denetlenmelidir. Zincir gerginliğini düzenli olarak denetleyiniz. Zincirin iyisi, iyi kesim kapasitesi ve uzun ömür demektir. (19)

Kılıç koruyucusunu takma

Kılıç koruyucusunu takmak için - servis temsilcinizle temas kurunuz.

Çalıştırıcı

Notlar! Makine çift düzeyli bir motora sahiptir ve her zaman benzin ve çift yoğunluklu motor yağı karıştırılarak kullanılmalıdır. Doğru karışımdan emin olabilmek için karıştırılacak yağ miktarının tam ölçümü önem taşımaktadır. Az miktarda yakıt karışımı sı rasında, yağ miktarındaki küçük yanlışlıklar bile karışım bağlamında büyük yanlışlıklara yol açar.



UYARI! Yakıtla uğraşırken iyi bir havalandırmaya özen gösteriniz.

Benzin

- Kurşunsuz veya kurşunlu kaliteli benzin kullanınız.
- Önerilen en düşük oktan 90 (RON) dı r. Motoru 90'dan daha düşük oktanla çalış tı rı rsanı z motor vurmaya başlayabilir. Böylece motor sı caklı ğı yükselir ve yatak yükü artar ki bunları n sonucunda motorda ciddi hasarlar meydana gelebilir.
- Eğer yüksek devridaim gerektiriyorsa (örneğin budama sırasında) daha yüksek oktan önerilir.

Ahştırma

İlk 10 saatte uzun sürelerde çok yüksek hızlarda çalıştırmaktan kaçınm.

İki-strok yağı

- En iyi sonuç ve performans için hava soğutmalı, iki zamanlı motorlar için özel olarak üretilen JONSERED iki zamanlı motor yağlarını kullanın.
- Su soğutmalı harici motorlar için üretilmiş, harici yağ (TCW) olarak da anılan iki zamanlı motor yağlarını asla kullanmayın.
- Dört çekişli motorlar için imal edilmiş olan yağları kesinlikle kullanmayınız.
- Düşük yağ kalitesi veya fazla zengin yağ/yakıt karışımı katalitik dönüştürücünün işlevine zarar verir ve hizmet ömrünü azaltır.

Karıştırma oranı

JONSERED iki zamanlı yağ içeren 1:50 (%2).

JASO FB/ISO EGB olarak sınıflandırılmış hava soğutmalı, iki zamanlı motorlar için tasarlanmış yağlar ile 1:33 (%3).

Benzin, litre	İki-strok yağı, litre	
	2% (1:50)	3% (1:33)
5	0,10	0,15
10	0,20	0,30
15	0,30	0,45
20	0,40	0,60

Karışım

- Benzin ve yağı her zaman, benzin için uygunluğu onanmış, temiz bir kapta karıştırınız.
- Her zaman, karıştırılacak olan benzinin yarısını karıştırarak işe başlayınız. Daha sonra yağın tümünü dökünüz. Yakıt karışımını katıştırınız (çalkalayınız). Daha sonra geri kalan benzinini dökünüz.

- Makinenin yakıt deposu dolmadan önce yakıt karışımını özenle katıştırınız (çalkalayınız).
- Bir aylık bir ihtiyaçtan daha fazla yakıt karıştırmayınız.
- Eğer makine uzun bir süre kullanılmıyacaksa yakıt deposu boşaltılıp temizlenmelidir.

Zincir yağı

- Yağlama için iyi yapışma karakteristiklerine sahip özel yağ (zincir yağı) kullanmanızı öneririz.
- Kesinlikle akışkan yağ kullanmayınız. Bu, yağ pompası, kılıç ve zincire zarar verir.
- Hava sıcaklığına bağlı olarak (uygun dayanıklılık), doğru uygun yağ tipinin kullanılması önem taşımaktadır.
- Sifirin altındaki hava sıcaklıkları kimi yağların akışkanlığını yavaşlatır. Bu ise yağ pompasında artıkların birikmesine ve pompa gereçlerinin bozulmasına yol açar.
- Zincir yağlama yağının seçimi konusunda servis atelyenize danışınız.

Yakıt ikmali



UYARI! Aşağıdaki önlemler yangın olasılığını azaltır.

Yakıtın yakınında sigara içmeyiniz ve/veya sıcak bir cisim bulundurmuyunuz.

Yakıtı doldurmadan önce motoru durdurun ve motorun soğumasını bekleyiniz.

Yakıt doldururken, olası bir fazla basıncın yavaşa kaybolması için depo kapağını yavaşa açınız.

Yakıt ikmalinden sonra depo kapağını iyice sıkıştırarak kapatınız.

Çalıştırmadan önce makineyi yakıt ikmal alanından uzaklaştırınız.

Depo kapağını iyice kurulayınız. Yakıt ve zincir yağı deposunu düzenli olarak temizleyiniz. Yakıt filtresi, yılda en az bir kez değiştirilmelidir. Depodaki kirlenmeler, çekiş bozukluklarına neden olur. Depoyu doldurmadan önce yakıt kabını iyice çalkalayarak yakıtın iyi karışmasını sağlayınız. Zincir yağı deposu ve yakıt deposu dikkatle eşleştirilmişlerdir. Dolayısıyla, iki depoyu her zaman muhakkak aynı zamanda doldurmanız gereklidir.



UYARI! Yakıt ve yakıt buharı, büyük yanma tehlikesi taşımaktadır. Yakıt ve zincir yağı ile uğraşırken dikkatli olunuz. Yangın, patlama ve solunum tehlikesini aklınızdan çıkarmayınız.

Yakıt güvenliği

- Motor çalışır durumdayken asla yakıt ikmali yapmayınız.
- Yakıt ikmali ve yakıt karıştırma sırasında havalandırma konusunda özen gösteriniz (benzin ve ikili yağ).
- Makineyi çalıştırmadan önce, yakıt ikmal yerinden en az 3 m uzaklaşınız.

- Aşağıdaki durumlarda makineyi asla çalıştırmayınız:
- 1 Üzerine yakıt ya da zincir yağı saçılmışsa. Saçıntıyı kurulayınız ve benzin kalıntısının uçmasını bekleyiniz.
- 2 Eğer yakıt döküntüsü size veya elbisenize bulaşır, hemen elbisenizi değiştiriniz. Yakıt döküntüsü ile temas eden vücudunuzun bölümlerini hemen yıkayınız. Yakıt döküntüsü ile temas eden vücudunuzun bölümlerini sabun ve suyla yıkayınız.
- 3 Yakıt sızdırıyorsa. Depo kapağı ve yakıt kablolarında sızma olup olmadığını düzenli olarak denetleyiniz.



UYARI! Buji korumasında veya ateşleme kablosunda görünür hasar olan makineleri asla kullanmayın. Oluşabilecek bir kıvılcım yangına neden olabilir.

Taşıma ve saklama

- Motorlu biçkiyi ve yakıtı, olası bir sızıntı ve buhar durumunda, kıvılcım ya da alevle temas etmeyecek bir biçimde koruyunuz. Örneğin elektrikli makineler, elektrikli motorlar, elektrik kontağı/düğmesi, kalorifer ve benzerleri.
- Yakıt korunmasında, bu amaç için özel olarak yapılmış ve onanmış kaplar kullanılmalıdır.
- Motorlu biçkinin uzun süreli koruma ve taşınması durumunda, yakıt ve biçki zinciri yağ deposu boşaltılmalıdır. Yakıtınızdaki bir benzin istasyonundan, yakıt ve biçki zinciri yağı fazlasını nereye boşaltabileceğiniz konusunda bilgi alın.
- Makinenin iyice temizlenmiş olmasına ve onu uzun süreli koruma altına almadan önce tümüyle yetkili servis denetiminden geçmiş olmasına özen gösteriniz.
- Keskin zincirin nesnelere istenmeyen temasını engellemek için makine saklanırken veya taşınırken taşıma koruması her zaman takılı olmalıdır. Hareketli olmayan zincir de kullanıcı veya başka kişilerde ciddi yaralanmalara neden olabilir.
- Nakliye sırasında makineyi emniyete alın.

Uzun süreli saklama

Yakıt ve yağ depolarını iyi havalandırılan bir alanda boşaltın. Yakıtı uygun kaplarda ve güvenli bir yerde saklayın. Çubuk korumasını takın. Makineyi temizleyin. Bakım takvimi başlığı altındaki talimatları okuyun.

Çalıştırma ve durdurma



UYARI! Başlamadan önce aşağıdaki konulara dikkat ediniz:

Testere çalıştırıldığında, dönen zincir ile teması engellemek için zincir freninin etkinleştirilmesi zorunludur.

Zincir kılıcı, zincir ve tüm kapaklar doğru biçimde yerinde olmadan hiçbir zaman motorlu biçki çalıştırmayınız. Aksi takdirde, bağlantı gevşeyip kişisel yaralanmaya yol açabilir.

Makineyi, sabit bir zemin üzerine koyunuz. Dengeli bir biçimde durmakta olduğunuzdan ve zincirin herhangi bir cisimle temas edemeyeceğinden emin olunuz.

Çalışma alanınızda işi olmayan birilerinin bulunmamasına özen gösteriniz.

Soğuk motor

Çalıştırma: Motorlu biçki çalıştırıldığında zincir freni uygulanmış olmalıdır. Freni uygulamak için ön el siperini ileri doğru itiniz. (20)

1. Yakıt pompası: Yakıt pompasının kauçuk torbasına, yakıt dolmaya başlayıncaya kadar defalarca basınız. Kauçuk torbanın tamamen dolmasına gerek yoktur. (23)

2. Jikle: Mavi jigle/çalıştırma gaz kontrolünü tamamen dışarı çekin (TAM JIGLE pozisyonuna). Jikle/hızlı rölantı kolu sonuna kadar çekildiğinde doğru gaz ayarı otomatik olarak ayarlanır. (21)

Çalıştırma gazı: Ayarlama jikle durumuna getirildiğinde, jigle/çalıştırma gazı bileşimi durumuna ulaşılır. (22)

Çalıştırma

Ön tutma kolunu sol elinizle kavrayın. Sağ ayağınızı arka tutma koluna koyarak, testereyi yerde tutun.

3. Çalıştırma kolunu sağ elinizle çekin ve çalıştırma ipini direnç hissedinceye kadar (çalıştırma mekanizmasının diğli çark mandalları motoru kavrayana kadar) yavaşça çekmeye devam edin; daha sonra motorda ateşleme gerçekleşene kadar kısa aralıklarla güçlü ve hızlı bir şekilde çekmeye devam edin. **Çalıştırma ipini hiçbir zaman elinizle dolamayınız. (25)**

DİKKAT! Çalıştırma ipini tümüyle dışarı doğru çekmeyiniz ve tümüyle dışarı doğru çekilmiş durumdayken elinizden bırakmayınız. Bu durum, makinenin arızalanmasına yol açabilir.

4. Motorun puf sesi çıkararak ateşlenmeye başladığını duyduğunuz anda jigle kontrolünü "1/2 jigle" ayarına itin. (21)

5. Motor çalışmaya başlayıncaya dek ipi kuvvetli bir şekilde çekmeye devam edin. (26) Motorun otuz saniye ısınmasını bekledikten sonra normal rölantıye almak için gaz tetiğini sıkın.

Zincir freni hala devrede olduğundan, motor devri en kısa zamanda rölantıye ayarlanmalıdır; bu, gaz tetiğine bir kez hızlı

bir şekilde basılarak yapılır. Bu işlem, debriyajın, debriyaj kasnağının ve fren kuşağının gereksiz yere yıpranmasını önler.

Notlar! "PULL BACK TO RESET" yazısıyla işaretli ön el koruyucusunu ön kola doğru geri çekerek zincir frenini yeniden etkinleştirin. Zincir testere artık kullanıma hazırdır. (27)

Sıcak motor

Soğuk motor çalıştırma işlemini uygulayın, ancak jigle kontrolünü jigle pozisyonuna getirmeyin. Mavi jigle kontrolünü çekip jigle pozisyonuna getirerek ve ardından tekrar içeri iterek gazı çalıştırma pozisyonuna getirin. (24)



UYARI! Motorun egzoz dumanını, zincir yağı buğusunu ve talaş tozunu uzun süreli solumak sağlığınız için zararlı olabilir.

- Zincir kılıfı, zincir ve tüm kapaklar doğru biçimde yerinde olmadan hiçbir zaman motorlu biçkiyi çalıştırmayınız. Montaj bölümündeki talimatlara bakınız Çubuk ve zincir testereye takılmazsa kavrama gevşeyebilir ve ciddi yaralanmalara neden olabilir. (28)
- Motorlu biçki çalıştırıldığında zincir freni uygulanmış olmalıdır. Çalıştırma başlığı altındaki talimatlara bakınız. Motorlu biçkiyi hiçbir zaman havadan bırakıp çalıştırmayınız. Bu yöntem, motorlu biçkinin denetimini kaybetmenize yol açabileceği için çok tehlikelidir. Çalıştırma başlığı altındaki talimatlara bakınız. (29)
- Kapalı yerde makineyi asla çalıştırmayınız. Egzoz dumanları tehlikeli olabilir.
- Çevrenizi gözleyiniz ve insan ya da hayvanların, kesme cihazı ile temasları tehlikesinin olmadığından emin olunuz.
- Motorlu testereyi her zaman iki elinizle tutun. Sağ elinizle arka tutma yerinden ve sol elinizle ön tutma yerinden tutun. **Sağ veya sol elini kullanan tüm kullanıcılar bu biçimde tutmalıdır.** Tutma yerini başparmaklarınız ve diğer parmaklarınızla sıkıca saracak biçimde tutun. (30)

Stop

Durdurma düğmesine basarak motoru durdurun. (31)

Kullanımdan önce: (32)

- 1 Zincir freninin doğru şekilde çalıştığını ve hasarlı olmadığını kontrol ediniz.
- 2 Arka sağ el siperinin hasarlı olmadığını kontrol ediniz.
- 3 Gaz ayarlama düğmesinin doğru şekilde çalıştığını ve hasarlı olmadığını kontrol ediniz.
- 4 Çalıştırma ve durdurma anahtarının doğru şekilde çalıştığını ve hasarlı olmadığını kontrol ediniz.
- 5 Tüm tutamakların yağsız olmasına dikkat ediniz.
- 6 Titreşim engelleme sisteminin çalışıyor olduğunu ve hasarlı olmadığını kontrol ediniz.
- 7 Susturucunun güvenli bir şekilde takılmış olduğunu ve hasarlı olmadığını kontrol ediniz.
- 8 Motorlu testerenin tüm parçalarının doğru şekilde sıkıştırılmış olduğunu ve hasarlı veya eksik olmadığını kontrol ediniz.
- 9 Zincir tutucunun yerinde olduğunu ve hasarlı olmadığını kontrol ediniz.
- 10 Zincir gerginliğini kontrol edin.

Genel çalışma açıklamaları

ÖNEMLİ!

Bu bölümde, motorlu biçkiyle çalışmada sözkonusu olan temel güvenlik kuralları ele alınmaktadır. Kuşkusuz enformasyon, bir meslek erbabının eğitim ve pratik deneyimlerle edinilmiş bilgisini karşılayamaz. Kullanıma devam edip etmeyeceğiniz konusunda sizi kuşkuya düşüren herhangi bir durumla karşılaştığınızda, bir uzmana danışınız. Motorlu biçkiyi aldığınız firmaya, servis atelyenize ya da deneyimli bir motorlu biçki kullancısına başvurunuz. Emin olmadığınız herhangi bir işi yapmaya çalışmayınız!

Kullanımdan önce geri tepmenin ne olduğunu ve bundan nasıl kaçınılabileceğini anlamamız gerekir. Geri tepmeyi önleyici önlemler bölümüne bakınız.

Kullanımdan önce kılıcın alt ve üst kenarı ile kesim yapmanın farkını anlamamız gerekir. Geri tepmeyi nasıl engellersiniz ve Makinenin güvenli ekipmanları başlıklarını altındaki talimatlara okuyun.

Kişisel koruyucu araçlar kullanınız. Kişisel koruyucu araçlar bölümüne bakınız.

Temel güvenlik kuralları

- 1 Çevrenize dikkat ediniz:
 - İnsan, hayvan ya da başka birşeyin, makine üzerindeki denetiminizi engelleyemeyeceğinden emin olunuz.
 - Yukarıda belirtilenlerin, motorlu biçki ile temas etme ve yıklan bir ağaç nedeniyle herhangi bir kazaya uğrama tehlikelerini önemeliniz.
- DİKKAT!** Yukarıdaki noktalara uyunuz fakat bu arada, herhangi bir kaza durumunda imdat isteyebilme olanağınız yoksa motorlu biçkiyi asla kullanmayınız.
- 2 Kötü hava koşullarında çalışmaktan kaçınınız. Örneğin yoğun sis, kaygan zemin, ağacın düşme yönünü etkileyecek hava koşulları v.b. Kötü havada çalışmak yorucudur ve kaygan zemin, ağacın düşme yönü v.b. gibi konularda, tehlikeli koşullara neden olabilir.

- 3 Küçük dalları keserken daha fazla dikkatli olunuz ve çalı (aynı anda küçük dallardan oluşan bir demeti) kesmekten kaçınınız. Küçük dallar, kesimden sonra biçki zincirine takılıp size karşı fırlayarak ciddi bir kişisel kazaya neden olabilir.
- 4 Hareket edebilme ve ayakta durabilme olanağınızın olmasına özen gösteriniz. Olası engellere (kök, taş, dal, çukur v.b.) dikkat ediniz. Kapalı bir arazide çalışırken çok dikkatli olunuz.
- 5 Gerilmiş durumdaki bir ağacı keserken çok dikkatli olun. Gerilmiş ağaç kesilmeden önce veya kesildikten sonra hızla normal konuma geri dönebilir. Yanlış yerde durursanız veya yanlış yeri keserseniz, ağaç size veya makineye çarpıp kontrolünüzü kaybetmenize neden olabilir. Her iki durum da ciddi yaralanmalara neden olabilir.
- 6 Yer değiştirme durumunda biçki zinciri ve motor kapatılmalıdır. Bir yerden bir yere taşırken, kılıç ve biçki zinciri üzerinde bulunan motorlu biçkiyi, yönü arkaya doğru olmak üzere tutunuz. Daha uzun taşınma durumlarında kılıç koruması kullanılmalıdır.
- 7 Testereyi yere bıraktığınızda zincir frenini kullanarak testere zincirini kilitleyin ve makineyi sürükli

görebileceğiniz bir yere koyun. Uzun süre kullanmayacasanız testerenin motorunu kapatın.



UYARI! Bazen talaşlar kavrama kapağına kaçarak zincirin sıkışmasına neden olabilmektedir. Temizlik öncesinde her zaman makineyi durdurun.

Temel kurallar

- 1 Geri tepmenin ne olduğunu ve nasıl meydana geldiğini anlamakla, onunla ilgili sürpriz momentini azaltmak ya da tümüyle ortadan kaldırmak mümkündür. Sürpriz kaza tehlikesini artırır. Geri tepmelerin çoğu küçüktür, fakat bazen ani ve sert olabilir.
- 2 Bıçkıyı, sağ el arka saptta, sol el ön kulpta olmak üzere iyice kavrayınız. Parmaklarınızın tutuş yerlerine iyice geçiriniz. İster sağ elini kullanırsanız ister solak olanlar olsun, tüm kullanıcılar bu kavrayış biçimini uygulamalıdır. Bu kavrayış geri tepmenin etkisini azaltır. **Sap ve kulpu bırakmayınız!**
- 3 Geri tepmelerin büyük bir bölümü dal kesimlerinde meydana gelir. Dengeli durmaya ve çalışmakta bulunduğunuz yerde, dengeyi bozacak ya da üzerine düşenize yol açabilecek bir cisim bulunmamasına dikkat ediniz. Dikkatsizlik nedeniyle kılıcın geri tepme tehlikesi sektöri farkında olmadan bir dal, yakında bulunan bir ağaç ya da başka bir cisme çarpabilir ve bu da geri tepmeye neden olabilir. Çalıştığınız nesneyi denetim altında tutun. Kesmek istediğiniz parçalar küçük ve hafif ise testere zincirine sıkışabilir ve size doğru fırlayabilir. Bu bir tehlike oluşturmasa bile saçırmanıza ve testerenin kontrolünü kaybetmenize neden olabilir. İstiflenmiş kütükleri veya dalları birbirinden ayırmadan asla kesmeyin. Bir seferde yalnız bir kütük veya bir parça kesin. Çalışma alanınızı güvenli tutmak için kestiğiniz parçaları alandan uzaklaştırın.
- 4 **Bıçkıyı kesinlikle omuzdan daha yukarıda kullanmayınız ve ve kılıç ucuya bıçkılamaktan kaçınınız. Bıçkıyı kesinlikle tek elle kullanmayınız! (33)**
- 5 Motorlu bıçkıyı iyi kontrol edebilmek için ayakta sağlam duruyor olmanız gerekir. Merdiven üstünde, ağaca çıkarak veya yere sağlam basamadığınız durumlarda çalışmayınız. (34)
- 6 Yüksek zincir hızıyla, yani tam gaz vererek kesim yapınız.
- 7 Kılıcın üst tarafıyla, yani kestiğiniz şeyi alttan kesmeye çalışırken özellikle dikkatli olunuz. Bu, tepmekte olan bıçkı zinciriyle kesim yapmak olarak adlandırılır. Bıçkı zinciri o zaman bıçkıyı arkaya, yani kullanıcıya doğru teper. Zincir sıkıştırsa testere size doğru fırlayabilir.
- 8 Kullanıcının, bıçkın hareket eğilimine uymaması durumunda bıçkı, arkaya doğru öylesine bir teper ki, o anda yalnızca, kılıcın geri tepme tehlikesi sektöri, ağaçla temas etmekte ve geri tepmeye neden olmaktadır. (35) Kılıcın alt tarafıyla, yani kestiğiniz şeyi yukarıdan aşağıya doğru kesmek, çekiş durumundaki bıçkı zinciriyle kesim yapmak olarak adlandırılır. O zaman bıçkı, ağaca ve bıçkı gövdesinin ön tarafına doğru, kütüğe karşı, doğal bir destek olur. Çekiş durumundaki bıçkı zinciriyle kesim yapmak, bıçkı üzerinde ve geri tepme alanı üzerinde daha fazla kontrol sahibi olmanızı sağlar.
- 9 Kılıç ve bıçkı zincirinin eğeleme ve bakımıyla ilgili açıklamaları izleyiniz. Kılıç ve bıçkı zincirini değiştirmeniz durumunda, yalnızca bizim önerdiğimiz

bileşimler kullanılmalıdır. Kesici gereçler ve Teknik bilgiler bölümlerine bakınız.

Temel kesim teknikleri



UYARI! Testereyi asla tek elinizle tutmayın. Testere tek elle tutulduğunda güvenli bir biçimde kontrol edilemez. Her iki elinizle de tutma yerlerini sıkıca ve sağlam biçimde tutun.

Genel

- Her türlü kesimde motoru tam gaz kullanınız!
- Her kesim işleminden sonra motoru boşa alınız (motorun dinlendirilmeksizin, yani kesim sırasında, bıçkı zinciri tarafından zorlanmaksızın uzun süre çalışması, ciddi motor arızasına neden olur).
- Yukarıdan aşağıya doğru kesmek = Çekiş durumundaki bıçkı zinciriyle kesim yapmak.
- Aşağıdan yukarıya doğru kesmek = Tepmekte olan bıçkı zinciriyle kesim yapmak.

Kesim anında tepmekte olan bıçkı zinciriyle kesim yapmak geri tepme tehlikesini artırır. Geri tepmeyi önleyici önlemler bölümüne bakınız.

Terimler

Bıçme = Ağaç kesiminin genel adı.

Budama = Yıkılmış bir ağacın dallarını bıçme.

Parçalama = Bıçeğiniz nesnenin, bıçkı kesim işlemi tamamlanmadan parçalanması.

Her bıçme işlemi öncesinde göz önüne alınması gereken beş önemli nokta vardır:

- 1 Kesici gereç, kesim yerinde sıkışmamalıdır.
- 2 Kesilecek nesne parçalanmamalıdır.
- 3 Bıçkı zinciri, kesim işlemi sırasında, yere ya da başka birşeye vurmamalıdır.
- 4 Geri tepme tehlikesi var mıdır?
- 5 Arazi ve çevrenin durumu, çalışırken güvenliğinizi etkiliyor mu?

Zincirin arada sıkışması ve kesilmekte olan nesnenin parçalanması iki nedenden kaynaklanır: Bıçme öncesi ve sonrasında, kesilmekte olan nesnenin sahip olduğu destek ve kesilen nesnenin gerilim durumunda olup olmaması.

Bıçme işlemini, bir alttan, bir de üstten olmak üzere iki aşamalı yapmakla çoğunlukla, istenmeyen durumların ortaya çıkmasından kaçınılabılır. Önemli olan, kesilen nesnenin bıçkı zincirini sıkıştırma ya da parçalanma "isteği"ni ortadan kaldırmaktır.

ÖNEMLİ!

Eğer zincir arada sıkıştırsa: motoru durdurunuz! Motorlu bıçkıyı çekip çıkarmaya çalışmayın. Böyle yaparsanız, motorlu bıçkın bir denbire yerinden çıkmasıyla zincir zedelenebilir. Motorlu bıçkıyı yerinden çıkarmak için bir levye kullanıp yarığı açınız.

Aşağıdaki liste, bir motorlu bıçkı kullanıcısının karşılaşılabileceği çoğu durumda neler yapması gerektiğini gözden geçirmeye amaçlanmaktadır.

Budama

Kalın dalların budanmasında bıçme işlemindeki aynı ilkeler uygulanmalıdır.

Sorunlu dalları tek tek biçiniz.

Bıçme



UYARI! Asla istiflenmiş kütükleri veya yana bulunan birkaç kütüğü kesmeye çalışmayın. Bu tip bir prosedür geri tepme olasılığını ciddi biçimde artırır ve ölümcül yaralanmalara neden olabilir.

Kütükler istiflenmiş haldeyse kesmek istediğiniz her kütüğü istiften alın, bir testere tezgahına veya gergiye yerleştirin ve münferit olarak kesin.

Kesilmiş parçaları çalışma alanından uzaklaştırın. Çalışma alanında kalmaları halinde hata yapma, geri tepme ve çalşırken dengeyi kaybetme risklerini artırırınız.

Kütük yerde durmaktadır. Zincirin sıkışması ya da kesilen nesnenin parçalanması tehlikesi bulunmamaktadır. Oysa zincirin, kesim tamamlandıktan sonra yere değmesi tehlikesi büyüktür.

Kütüğü yukarıdan aşağıya doğru kesiniz. Kesim işleminin sonuna doğru, zincirin yere değmemesine özen gösteriniz. Tam gaz veriniz fakat ne olacağını da aklınızdan çıkarmayınız. (36)

Eğer mümkünse (kütüğün döndürülmesi olanağı var mı?) kesim işlemi kütüğün 2/3'sine gelince durdurulmalıdır.

Kesim işleminin geri kalan 1/3'ünü tamamlamak için kütüğü döndürünüz.

Kütük yalnızca bir taraftan destek görmektedir.

Parçalanma için büyük tehlike.

Önce aşağıdan yukarıya doğru keserek işe başlayınız (yaklaşık olarak kütük çapının 1/3'ü kadar).

Bıçkı kesim izleri birbiriyle buluşuncaya kadar yukarıdan aşağıya doğru kesim işlemini tamamlayınız.

Kütük her iki taraftan da destek görmektedir. Bıçkı zincirinin arada sıkışması için büyük tehlike.

Önce yukarıdan aşağıya doğru keserek işe başlayınız (yaklaşık olarak kütük çapının 1/3'ü kadar).

Bıçkı kesim izleri birbiriyle buluşuncaya kadar aşağıdan yukarıya doğru kesim işlemini tamamlayınız.

Ağaç yıkma tekniği

ÖNEMLİ! Bir ağacı yıkmak için epey deneyim gerekmektedir. Deneyimsiz bir motorlu bıçkı kullanıcısı ağaç yıkmamalıdır. Yeterince kalifiye olmadığınız her türlü kullanımdan kaçınınız!

Güvenlik mesafesi

Yıkılacak olan ağaçlar ile en yakın çalışma yeri arasındaki güvenlik mesafesi 2 1/2 ağaç uzunluğunda olmalıdır. Yıkım öncesi ve sonrasında, bu "tehlikeli bölge" de kimselerin bulunmamasına dikkat ediniz. (37)

Yıkım yönü

Ağaç yıkımındaki hedef, ağacı, daha sonra kütükte yapılacak olan budama ve kesme işleminin, elden geldiğince "basit" bir arazide yapılabilmesi için uygun bir biçimde konumlandırmaktır. İnsan güvenli olarak gidip gelebilmeli ve ayakta durabilmelidir.

Ağacın hangi yöne doğru yıkılması gerektiğine ilişkin karar verdikten sonra ağacın doğal yıkılma/düşüş yönünü de değerlendirmelisiniz.

Bunu etkileyen faktörler şunlardır:

- Eğilim
- Eğiklik
- Rüzgâr yönü
- Dalların yoğunluk alanları
- Olası kar ağırlığı
- Ağacın çevresindeki engeller: Örneğin, diğer ağaçlar, elektrik hatları, yollar ve binalar.
- Ağaç gövdesindeki olası hasar ve çürüklere dikkat edin, bu tip etkiler ağacın beklediğinizden önce kırılmasına ve devrilmesine neden olabilir.

Bu değerlendirmeden sonra insan ağacı, doğal yıkılma yönüne doğru yıkmak zorunda kalabilir, çünkü ağacın başından beri planladığı yöne doğru yıkmı olmaksız ya da tehlikeli olabilir.

Yıkım yönünü değil ama sizin kişisel güvenliğinizi etkileyen bir başka önemli faktör ise ağacın, kesim işlemi sırasında, koparak bir sakatlanmaya yol açabilecek sakat ya da "ölü" dallarının olmamasıdır.

En fazla kaçınılması gereken şey, yıkılan ağacın başka bir ağaca takılmasıdır. Takı lını ş bir ağacı kurtarmak oldukça tehlikelidir ve çok büyük kaza tehlikesi vardır. Kötu yıkılmış bir ağacı gevşetme başlığı altındaki talimatlara bakın.

ÖNEMLİ! Kritik yıkım anlarında, kesim bittikten hemen sonra ses ve uyarı sinyallerine dikkat edilebilir için kulaklığınızı çıkarınız.

Alt dalların budanması ve geriye çekilme

Ağaç gövdesini omuz yüksekliğinde parçalara bölün.

Yukarıdan aşağıya çalışmak ve ağacı sizinle testere arasında tutmak daha güvenlidir.

Ağaç çevresindeki alt bitki örtüsünü temizleyiniz ve ağaç yıkılmaya başladığında kolayca geriye çekilmeniz için olası engeller (taşlar, dallar, çukurlar v.b.) dikkat ediniz. Geri çekilme yolu, ağacın planlanan yıkılma yönünden geriye doğru eğimli ve yaklaşık 135 derece olmalıdır. (38)

- 1 Risk bölgesi
- 2 Güvenli yol
- 3 Yıkım yönü

Yıkım



UYARI! Yeterli derecede kalifiye olmayan kullanıcılara, ağaç çapından daha küçük bir kılıç uzunluğuyla ağaç yıkım işlemine kalkışmalarını öneririz!

Yıkım, üç bıçkı kesim biçimiyle yapılır. Öncelikle, bir üst kesim ile bir de alt kesimden oluşan yön kesimi yapılır, daha sonra ise yıkım, yıkım kesimi ile son bulur. Bu kesim biçimlerinin yerli yerince yapılması, yıkım yönünü bütünüyle yönetebilmeniz sağlar.

Yön kesimi

Yön kesimi'ne üst kesim ile başlanır. Ağacın sağ tarafında durunuz ve çekiş durumundaki makineyle kesim yapınız.

Daha sonra üst kesim'in bittiği yerde onunla çakışacak biçimde alt kesim'i yapınız. (39)

Yön kesimi derinliği, ağaç çapının 1/4'ü kadar; üst kesim ile alt kesim arasındaki açı ise en az 45° olmalıdır.

Bu her iki kesimin birleştiği yer ise yön kesim çizgisi olarak adlandırılır. Yön kesim çizgisi tam tamına yatay olmalı ve aynı zamanda, seçilmiş yıkım yönü karşısında bir doşru aç (90°) oluşturmalıdır. (40)

Yıkım kesimi

Yıkım kesimi, ağacın öteki tarafından yapılmalı ve kesinlikle yatay olmalıdır. Ağacın sol tarafında durunuz ve çekiş durumundaki bıçkı zinciriyle kesim yapınız.

Yıkım kesimi'ni, yön kesimi'nin yatay doğrultusunun yaklaşık 3-5 cm (1,5-2 inç) yukarılarından yapınız.

Kılıç koruyucusunu (eğer takılmışsa) kırılma derecesinin arkasına getiriniz. Tam gaz vererek kesim yapınız ve bıçkı zincirini/kılıcı, yavaşça ağacın içine doğru sürünüz. Ağacın, seçilmiş yıkım yönünün tersine doğru hareket edip etmediğine dikkat ediniz. Kesim derinliğinin elvermesiyle birlikte, yön kesimi boşluğuna bir takoz koyunuz. (41)

Yıkım kesimi, her ikisi arasındaki mesafenin, ağaç gövdesi çapının en az 1/10'ı kadar olduğu yön kesimi çizgisi ile paralel olarak sonuçlandırılacaktır. Gövdenin kesilmemiş bölümü kırılma derecesi olarak adlandırılır.

Kırılma derecesi, yıkılmakta olan ağacın yönünü belirleyen bir takoz işlevi görür. (42)

Kırılma derecesi'nin gereğinden küçük ya da kesilmiş olması ya da yön kesimi ve yıkım kesiminin yanlış yerlerde bulunması, ağacın yıkım yönü üzerindeki denetimin tümüyle yitirilmesine yol açar.

Yıkım kesimi ve yön kesimi tamamlandıktan sonra ağaç ya kendiliğinden ya da takoz ya da levye yardımıyla yıkılmalıdır.

Yıkım ve yön kesimi'nin, basit bıçkı kesimi olarak adlandırılan bir biçimde gerçekleştirilebilmesi için ağaç çapından daha büyük bir kılıç uzunluğu öneririz. Motorlu bıçkı modeliniz için hangi kılıç uzunluklarının önerildiğini öğrenmek için Teknik bilgiler bölümüne bakınız.

Ağaç çapının kılıç uzunluğundan daha büyük olması durumunda da ağaç yıkım yöntemleri bulunmaktadır. Bu yöntemler, kılıcın geri tepme tehlikesi sektörünün bir cisimle temas etmesi gibi büyük bir tehlikeyi de taşımaktadırlar.

Kötü yıkılmış bir ağacı gevşetme

Takılmış bir ağacın düşürülmesi

Takılı lı bir ağacı kurtarmak oldukça tehlikelidir ve çok büyük kaza tehlikesi vardır.

Üzerine ağaç devrilmiş bir ağacı kesmeye asla çalışmayın.

Sıkışmış veya asılı kalmış bir ağaç nedeniyle riskli olan bir bölgede asla çalışmayın.

Vinç kullanmanın en güvenli yöntemi.

- Traktöre monte edilmiş
- Taşınabilir

Gergin durumdaki ağaç ve dalların kesimi.

Hazırlıklar: Gerginliğin hangi yöne doğru olduğunu ve "kırılma noktası" nı (yani daha da gerginleştirilmesi durumunda, kırılabileceği yer) anlamaya çalışınız.

Gerginliği nasıl gidereceğinize ve bunu başarılı başaramayacağınıza karar veriniz. Özel olarak daha karmaşık durumlarda en güvenli yöntem, motorlu bıçkıdan vazgeçip bir vinç kullanmaktır.

Genel olarak şunlar geçerlidir:

Gerginliğin giderilmesi anında ağacın/dalın size çarpması tehlikesini önlemek için uygun bir yerde durunuz.

Kırılma noktası üzerinde ya da yakınında bıçkı ile bir ya da birkaç iz açınız. Ağacın/dalın, "kırılma noktası" ndan kırılarak gerginlikten kurtarılması için elden geldiğince derinlemesine ve çok sayıda bıçkı izi açınız.

Gergin durumda bulunan bir nesneyi asla tümüyle kesmeyiniz!

Ağaç / dal boyunca kesim yapmak zorundaysanız, 3 – 5 cm derinliğinde ve 3 cm aralıklarla iki veya üç kesik yapın.

Ağaç/dal eğilinceye ve gerginlik boşalınca kadar kesmeye devam edin.

Gerginlik boşalınca ağacı/dalı ters taraftan kesin.

Geri tepmeyi önleyici önlemler



UYARI! Geri tepme alabildiğine ani ve sert olabilir ve bıçkıyı, kılıcı ve zinciri kullanıcıya rastladığında zincir hareket durumunda ise ciddi hatta ölümcül bir kazaya neden olabilir. Geri tepmeye nelerin sebep olduğunu ve bunu nasıl engelleyebileceğinizi anlamanız çok önemlidir.

Geri tepme nedir?

Geri tepme, bıçkı ve kılıcın, kılıç üst yuvarlak köşesiyle bir cisimle temas ettiği, geri tepme tehlikesi sektörü olarak adlandırılan yerde fırlatıldığı, apansız bir tepki demektir. (43)

Geri tepme her zaman kılıcın ön doğrultusu yönünde gerçekleşir. En olağan olanı, bıçkı ve kılıcın yukarıya ve arkaya, yani kullanıcıya doğru fırlatılmasıdır. Fakat, geri tepme tehlikesi sektörünün bir cisimle temas ettiği anda bıçkının hangi durumda bulunduğuna bağlı olarak değişebilir.

Geri tepme, yalnızca geri tepme tehlikesi sektörünün bir cisimle temas ettiği anda meydana gelebilir. (44)

Budama



UYARI! Geri tepme kazalarının çoğu parçalara bölme sırasında ortaya çıkar. Çubuğun geri tepme alanını kullanmayın. Çubuğun ucunun kütikle, başka dallarla veya nesnelere temas etmemesine özellikle dikkat edin. Gergin durumdaki dallara özellikle dikkat edin. Size çarpabilir ve kontrolünüzü kaybetmenize neden olabilirler, bu da yaralanmalara neden olabilir.

Güvenli olarak yürüyebilme ve ayakta durabilmeye dikkat ediniz! Ağaç gövdesinin sol tarafında çalışınız. En iyi biçimde denetim sağlamak için elden geldiğince motorlu bıçkıya yakın durarak çalışınız. Uygun durumda, bıçkıyı ağaç gövdesine dayandırınız.

Ağaç gövdesinin, yalnızca, sizinle motorlu bıçkı arasında bulunması durumunda bir yerden bir yere yer değiştirebilirsiniz.

Kütüğe dönüştürülmek üzere ağaç gövdesinin kesimi

Temel kesim teknikleri adlı bölümdeki talimatlara bakınız.

Genel

Kullanıcının, Kullanım Kılavuzu'nun yalnız bu bölümünde belirtilen bakım ve servisi yapması gerekir. Daha kapsamlı işlerin yetkili bir servis tarafından yapılması zorunludur.

Karbüratör ayarı

Jonsered türününüz zararlı gazların emisyonunu azaltan şartnamelere uygun olarak tasarlanmış ve üretilmiştir.

Çalıştırma

- Karbüratör, gaz ayarı aracılığıyla motorun devridaimini yönetir. Karbüratörün içinde hava/yakıt birbirine karışır. Bu hava/yakıt karışımı ayarlanabilir. Motorun en yüksek düzeyde etkinliğini sağlamak için ayarlama düzgün olmak zorundadır.
- T-vidası, motor boşa iken gaz ayarının durumunu ayarlar. T-vidası ileriye doğru çevrildiğinde daha yüksek devridaim, geriye doğru çevrildiğinde ise daha düşük devridaim sağlar.

Temel ayarlar ve sürüş

Fabrikadaki deneme sürüşünde karbüratör şöyle ayarlanır. İnce ayar, vasıflı bir teknisyen tarafından yapılmalıdır.

Boşta çalışma hızını kaydedin: Teknik bilgiler bölümüne bakınız.

Boşta çalışma ayarı T'nin son ayarı

Boşta çalışma ayarı, T durumuna getirilmelidir. Ayarlama gerekirse, boşta çalışma ayarı T'yi, motor çalışırken, zincir duruncaya kadar geriye doğru çeviriniz. Düzgün ayarlanmış bir boşta çalışma devir ayarı, motorun, tüm durumlarda, zincir devir sayısına göre dönmeye başladığı, eşit ve iyi bir marjinalle çalışması demektir.



UYARI! Boşta çalışma ayarı zincirin duracağı biçimde ayarlanamıyorsa, servis atelyenize başvurunuz. Bıçkıyı, düzgün ayarlanması ya da onarımı gerçekleştirilmeden önce kullanmayınız.

Motorlu bıçkı makinesi güvenlik donanımının kontrol, bakım ve servisi

Notlar! Makineye yapılan tüm servis ve onarımlar özel eğitim gerektirir. Bu, makinenin güvenlik donanımı için özellikle önemlidir. Makinenizin aşağıdaki kontrollerden herhangi birinde sorun mevcutsa makineyi hemen servise götürmenizi öneririz. Bu kitapta anlatılanların dışında kalan her türlü bakım yetkili acenta tarafından yapılmalıdır (satıcı). Onarımlardan veya bakımdan önce motoru kapatın ve ateşleme kablosunu çıkarın

Geri tepmeyi önleyici zincir freni

Fren bandı aşınmasının denetimi

Zincir freni ve bağlantı boşluğundaki talaş, reçene ve kir artıklarını temizleyiniz. Kirlenme ve aşınma, frenin işlevini etkiler. (45)

Fren bandı kalınlığının en az 0,6 milimetresinin, en çok aşınmış olan tarafta kalmış olup olmadığı düzenli olarak denetleyiniz.

Geri tepme önleminin denetimi

Geri tepme önleminin bütün ve gözle görülür, örneğin, materyal çatlağı gibi herhangi bir aşınmaya sahip olup olmadığı denetleyiniz.

Geri tepme önleminin kolay hareket edip etmediğini ve bağlantı kutusundaki bağlantısının düzgün ve dengeli olup olmadığını anlamak için ileri geri hareket ettiriniz. (46)

Yavaşlatma işlevinin denetimi

Motorunu kapattıktan sonra testereyi kök veya benzeri sağlam bir yüzeyin üstünde tutun. Öndeki tutma yerini bırakın ve kendi ağırlığıyla düşmesine izin verin, arka tutma yerinden tutun ve testere ucunun kökün üzerine düşmesini sağlayın.

Kılıç ucunun kütüğe dokunmasıyla birlikte frenin devreye girmesi gerekir. (47)

Fren gücünün denetimi

Motorlu bıçkınızı sert bir yüzey üzerine yerleştirip çalıştırınız. Zincirinin yerle ya da herhangi başka bir cisimle temas etmemesine özen gösteriniz. Çalıştırma ve durdurma başlığı altındaki talimatlara bakınız.

Motorlu bıçkınızı, sap ve kulpundan, ellerinizle iyice kavrayınız.

Tam gaz veriniz ve sol elinizi geri tepme önlemine doğru götürerek zincir frenini devreye sokunuz. Ön kulpu bırakmayınız. **Zincirin derhal durması gerekir.**

Kelebek kilidi

- Gaz ayarlama düğmesi asıl konumunda iken gaz ayarının boşta olduğunu denetleyiniz.
- Kelebek kilidine basınız ve bıraktığınız zaman yeniden asıl konumuna geldiğini denetleyiniz.
- Gaz ayarının ve kelebek kilidinin rahat çalışmakta olduğunu ve dönüşüm makası sisteminin çalıştığını denetleyiniz.
- Motorlu bıçkınızı çalıştırarak tam gaz veriniz. Gaz ayarını bırakınız ve zincirin durduğunu ve hareket etmediğini denetleyiniz. Eğer gaz ayarı boşta iken zincir dönüyorsa gazlayıcının boşa alma ayarını denetleyiniz.

Zincir tutucusu

Zincir tutucusunun tüm olduğunu ve bıçkı gövdesine iyice oturmuş olduğunu denetleyiniz.

Sağ el koruyucusu

Sağ el koruyucusunun tamam ve materyal çatlağı gibi görülebilir bir bozukluğa sahip olmadığını denetleyiniz.

Titreşimden arındırma sistemi

Materyal çatlağı ve bozulmalardan sonra titreşimden arındırma elemanın düzenli olarak denetleyiniz.

Titreşimden arındırma elemanın, motor ile el birimleri arasına oturmuş olduğunu denetleyiniz.

Stop düğmesi

Motoru çalıştırınız ve stop düğmesi stop durumuna getirildiğinde motorun durduğunu denetleyiniz.

Susturucu

Susturucusu aşınmış bir makineyi asla kullanmayınız. Susturucunun makinenin içine oturmuş olduğunu düzenli olarak denetleyiniz.

Notlar: Bu makinedeki kıvılcım önleyici ızgaraya bakım uygulanabilir. **(48)** Ağda herhangi bir arıza ortaya çıkması durumunda derhal değiştirilmelidir. Bozuk olarak kullanılan bir ağ, makinenin fazlaca ısınmasına ve silindir ile kömürde de arızalara neden olur. Makineyi, iyi durumda olmayan bir susturucuyla asla kullanmayınız. **Kıvılcım tutma ağına sahip olmayan ya da kıvılcım tutma ağı yıpranmış olan bir susturucuyu asla kullanmayınız.**

Normal ev kullanımında, susturucunun ve kıvılcım önleyici ızgaranın değiştirilmesine gerek yoktur.

Hava filtresi

Aşağıdakilerden kaçınmak için hava filtresi toz ve kirden arındırılmalı ve düzenli olarak temizlenmelidir:

- Karbüratör arızaları
- Çalıştırma sorunları
- Motor gücünün azalması
- Motor parçalarında gereksiz aşınması
- Anormal ölçüde fazla yakıt tüketimi.
- Silindir kapağını, vidayı (1) ve filtre kapağını (2) çıkardıktan sonra hava filtresini (3) çıkarın. Tekrar takarken, hava filtresinin filtre tutucuya sıkı bir şekilde oturduğundan emin olun. Filtreyi fırçalayarak veya sallayarak temizleyin. **(49)**

Hava filtresini sabunlu suda yıkamakla daha kalıcı bir temizlik sağlanır.

Uzun süre kullanılmış bir hava filtresinin bütünü temizlenmesi olanaksızdır. Bundan ötürü filtre, düzenli aralıklarda yenisiyle değiştirilmelidir. **Bozuk bir hava filtresi kesinlikle değiştirilmek zorundadır.**

Buji

Aşağıdaki durumlar bujinin kondisyonunu etkiler:

- Yanlış ayarlanmış bir karbüratör.
- Yakıttaki hatalı bir yağ (az veya çok) karışımı motora zarar verir.
- Kirli bir hava filtresi.

Bu faktörler bujinin elektrotlarında artıklara yol açar ve çekiş bozuklukları ile çalıştırma zorluklarına neden olabilir.

Bıçkının etkinliği düşerse, çalıştırmada zorlanıyorsa ya da motor boşta çalışırken teklilyorsa: başka önlemlere başvurmadan, öncelikle bujiyi denetleyiniz. Buji kirliyse, temizleyiniz ve elektrot aralığının 0,5 mm olduğunu denetleyiniz. Buji bir ay kadar çalıştıktan sonra veya gerekirse daha önce değiştirilmelidir **(50)**.

Notlar! Her zaman önerilen buji tipini kullanınız! Yanlış buji, kömür/silindir tahribine neden olur. Bujiye süpresör takılı olduğundan emin olun.

BAKIM

Bakım şeması

Aşağıda makinede yapılması gereken bakım işlemlerinin listesi vardır. Konuların çoğu Bakım bölümünde anlatılmıştır.

Günlük bakım (her 5-10 s.)	Haftalık bakım (her 10-25 s.)	Aylık bakım (her 25-40 s.)
Makinenin dış kısmını temizleyin.	Çalıştırıcıyı, çalışma ipini ve geri tepme yayını kontrol edin.	Zincir frenindeki fren balatasını aşınmaya karşı kontrol edin. En aşınmış noktasında 0.6 mm'den az kalmışsa, değiştirin.
Gaz ayarlayıcısının tüm parçalarının güvenli bir şekilde çalışıp çalışmadığını denetleyiniz. (Gaz açma kapama ve gaz kontrol.)	Titreşim yalıtıcılarının arızalı olup olmadıklarını denetleyiniz.	Bağlantı merkezini, bağlantı kapağını ve bağlantı yayını aşınma açısından denetleyiniz.
Zincir frenini temizleyiniz ve işlevlerini güvenlik açısından denetleyiniz. Zincir tutucusunun arızalı olup olmadığını denetleyiniz, gerekirse değiştiriniz.	Kılıç yüzeyindeki olası çukurlukları egeleyiniz.	Bujiyi temizleyiniz. Elektrot aralığının 0,5 mm olduğunu denetleyiniz.
Kılıcın yönü, eşit bir aşınma için gündelik olarak değiştirilmelidir. Kılıçtaki yağlama deliğinin tıkanmamış olmasını denetleyiniz. Kılıç izini temizleyiniz. Eğer varsa, kılıç burnu tekerini de yağlayınız.	Karbüratör gövdesini ve hava kutusunu temizleyiniz.	Gazlayıcının dışını temizleyiniz.
Kılıç ve zincirin yeterince yağlanmış olduklarını denetleyiniz.	Hava filtresini temizleyiniz. Gerekğinde değiştiriniz.	Yakıt filtresini ve yakıt hortumunu denetleyiniz. Gerekğinde değiştiriniz.
Testere zincirini; perçinlerde ve bağlantılarda gözle görünür çatlaklar, zincirin sertliği ve perçin ve zincirlerde anormal bir yıpranma açılarından değerlendirin. Gerekliyse değiştirin.		Yakıt deposunu boşaltın ve içeri temizleyin.
Zinciri düzeltiniz ve gerginliği ile kondisyonunu denetleyiniz. Zincir dişlisinin anormal derecede aşınmış olmadığını denetleyiniz, gerektiğinde değiştiriniz.		Yakıt deposunu boşaltın ve içeri temizleyin.
Çalıştırıcı birimin hava girişini temizleyin.		Tüm kabloları ve bağlantıları denetleyiniz.
Vidaların ve somunların sıkışma durumlarını denetleyiniz.		
Makinenin durdurma düğmesinin çalışıp çalışmadığını kontrol ediniz.		
Motordan, depodan veya yakıt hatlarından yakıt sızıntısı olup olmadığını kontrol edin.		

Teknik bilgiler

	CS 2234	CS 2238
Motor		
Silindir hacmi, cm ³	38	38
Hortum uzunluğu, inç/mm	32	32
Boşta çalışma deviri, rpm	3000	3000
Etki, kW	1,4/9000	1,5/9000
Ateşleme sistemi		
Buji	Champion RCJ 7Y	Champion RCJ 7Y
Elektrot aralığı, inç/mm	0,5	0,5
Yakıt yağlama sistemi		
Benzin deposu hacmi, litre	0,3	0,3
8500 rpm, yakıt pompası kapasitesi, ml/dak.	7	7
Yağ deposu hacmi, litre	0,19	0,19
Yağ pompası tipi	Otomatik	Otomatik
Ağırlık		
Kılıç ve zincir olmaksızın ve boş depolarla bıçkı, kg	4,7	4,7
Gürültü emisyonları (1 nolu dipnota bakınız)		
Ses gücü düzeyi, ölçülmüş dB(A)	115	115
Ses gücü düzeyi, garantili L _{WA} dB(A)	118	118
Ses düzeyi (2 nolu dipnota bakınız)		
Operatörün kulağında denk ses basınç düzeyi dB(A)	100,6	100,6
Denk vibrasyon düzeyleri, a_{hveq} (bkz. not 3)		
Ön kulp, m/s ²	3,7	3,7
Arka sap, m/s ²	5,1	5,1
Zincir/kılıç		
Standart kılıç uzunluğu, inç/cm	14/35, 16/40	14/35, 16/40
Önerilen kılıç uzunlukları, inç/cm	14/35, 16/40	14/35, 16/40
Etkin kesim uzunluğu, inç/cm	13,5/34, 15,5/39	13,5/34, 15,5/39
Bölüm, inç/mm	3/8 / 9,52	3/8 / 9,52
Çekmiş doğrultusundaki kalınlık, inç/mm	0,050/1,3	0,050/1,3
Tahrik dişlisi tipi/diş sayısı	6	6
En yüksek etki gücünde zincir hızı, m/saniye	17,1	17,1

Dipnot 1: Çevreye verilen gürültü emisyonu AB direktifi 2000/14/EC uyarınca ses gücü (L_{WA}) olarak ölçülmüştür.


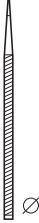

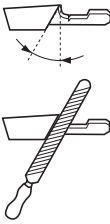

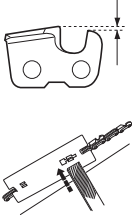
Not 2: ISO 22868 doğrultusunda denk gürültü basınç düzeyi, çeşitli çalışma koşullarında farklı gürültü basınç düzeyleri için zaman ağırlıklı enerji toplamı olarak hesaplanır. Denk gürültü basınç düzeyi için tipik istatistik dağılımı, 1 dB (A) şeklinde bir standart sapmadır.

Not 3: ISO 22867 doğrultusunda denk vibrasyon düzeyi, çeşitli çalışma koşulları altındaki vibrasyon düzeyleri için zaman ağırlıklı enerji toplamı olarak hesaplanır. Denk vibrasyon düzeyi için bildirilen verilerin tipik istatistik dağılımı (standart sapması) 1 m/sn² şeklindedir.

Kılıç ve zincir bileşimleri

Aşağıdaki kesme ataşmanları Jonsered CS 2234 ve CS 2238 modelleri için onaylanmıştır.

Kılıç			Bıçkı zinciri		
Uzunluk, inç	Bölüm, inç	Yiv genişliği, mm	Çubuğun ucundaki zincir dişlerinin azami diş sayısı	Tip	Uzunluk, tahrik bağlantıları (no.)
14	3/8	1,3	7T	Jonsered H37	52
16	3/8		7T		56
18	3/8		7T		62

					
	inch/mm				inch/mm
H37	5/32/4,0	80°	30°	0°	0.025/0,65

Uygunluk konusunda AB deklarasyonu

(Sadece Avrupa için geçerlidir)

İşbu belgeyle, SE-561 82 Huskvarna, İsveç, tel: +46-36-146500 adresinde bulunan **Huskvarna AB**, 2009 yılı seri numaraları ve daha sonraki tüm seri numaralarını (imalat plakasında önce yıl açıkça belirtilir, sonra da seri numarası yazılır) taşıyan **Jonsered CS 2234 ve CS 2238** motorlu bıçklarının, aşağıdaki KONSEY DİREKTİFLERİ'nin gereklerine uygun olduğu konusunda güvence verir:

- 17 Mayıs 2006 tarihli, "makinele ilgili", **2006/42/AT**
- "elektromanyetik uygunluk hakkında" başlıklı, 15 aralık 2004 tarih ve **2004/108/EEC** sayılı KONSEY DİREKTİFİ ve geçerli ekler.

- "çevreye gürlütle emisyonları hakkında" başlıklı, 8 Mayıs 2000 tarih ve **2000/14/EC** sayılı KONSEY DİREKTİFİ.

Gürlütle emisyonları hakkında bilgi için, Teknik bilgiler başlıklı bölüme bakınız. Uygulanan standartlar: **EN ISO 12100-2:2003, CISPR 12:2001, EN ISO 11681-1:2004**

Bildirilen kurum: Makine direktifi'nin (2006/42/EC) 12. madde 3b şıkkı uyarınca yapılan AB tip kontrolü Fyrisborgsgatan 3, SE-754 50 Uppsala, İsveç, adresinde bulunan **0404, SMP Svensk Maskinprovning AB** tarafından gerçekleştirilmiştir. Ek IX uyarınca AB tipi test sertifikalarının numaraları: **0404/09/2048**.

Ayrıca, SMP, Svensk Maskinprovning AB, Fyrisborgsgatan 3, SE-754 50 Uppsala, İsveç, "çevreye gürlütle emisyonları hakkında" başlıklı, 8 Mayıs 2000 tarih ve 2000/14/EC sayılı Konysey Direktifi'nin V eki ile uygunluk sertifikası vermiştir. Sertifikaların numaraları: **26/161/003** - CS 2234, **26/161/004** - CS 2238.

Teslim edilmiş olan motorlu bıçkı AB tip kontrolünden geçmiş olan örneğin aynıdır.

Huskvarna, 29 aralık 2009



Ronnie E. Goldman, Tasarım Müdürü (Huskvarna AB yetkili temsilcisi ve teknik dokümantasyon sorumlusu.)

Stimate client!

Vă felicităm pentru decizia dumneavoastră de a cumpăra un produs Jonsered!

Suntem convingși că veți aprecia cu satisfacție calitatea și funcționalitatea produsului nostru un timp îndelungat în viitor. Cumpărarea unuia din produsele noastre vă va da acces la ajutor profesional, cu reparații și service în cazul în care ceva se defectează. Dacă magazinul de achiziție nu a fost unul din centrele noastre de vânzare autorizate, cereți informații despre atelierul de service cel mai apropiat.

Sperăm să fiți mulțumit de mașina dumneavoastră și că aceasta vă va însoți un timp îndelungat. Nu uitați că acest manual de utilizare este un document de valoare. Prin a urma conținutul acestuia (folosire, service, întreținere etc) veți putea prelungi considerabil viața de lucru a mașinii, cât și valoarea ei la revânzare. În cazul în care vindeți mașina, aveți grijă să dați noului proprietar manualul de utilizare.

Vă dorim succes la folosirea produsului dumneavoastră Jonsered!

Jonsered lucrează în mod continuu pentru dezvoltarea produselor sale și de aceea își rezervă dreptul de a modifica produsele în ceea ce privește printre altele forma și înfățișarea, fără obligația de a comunica aceasta în prealabil.

Simboluri pe mașină:

AVERTISMENT! Ferăstraiele cu motor pot fi periculoase! Folosirea neglijentă sau incorectă poate duce la răni serioase sau accidente mortale pentru operator sau alte persoane.

Citiți cu atenție instrucțiunile de utilizare și asigurați-vă că ați înțeles conținutul înainte de a folosi mașina.

Folosiți întotdeauna:

- Cască de protecție omologată
- Dispozitiv de protecție a auzului omologat
- Ochelari sau mască de protecție

Acest produs corespunde normelor prevăzute în indicațiile CE.

Producere de zgomot în mediu înconjurător conform directivei Comunității Europene. Nivelul de zgomot al mașinii este indicat în capitolul Date tehnice cât și pe etichetă.

Operatorul trebuie să-și folosească ambele mâini pentru a acționa ferăstrăul cu lanț.

Nu acționați niciodată un ferăstrău cu lanț numai cu o singură mână.

Este interzisă atingerea capătului tijei de ghidare cu vreun obiect.

AVERTISMENT! Dacă vârful șinei atinge un alt obiect, se poate manifesta reculul, care produce o reacție ce aruncă șina în sus și înapoi spre utilizator. Acest lucru poate duce la vătămări corporale grave.

Frână cu lanț, activată (în stânga);
frână cu lanț, neactivată (în dreapta)



Simbolurile suplimentare/etichetele de pe mașină se referă la condiții speciale de certificare pentru anumite piețe de desfacere.

Părțile componente ale ferăstrăului cu motor (1)

- 1 Autocolant cu informații și avertismente
- 2 Capacul cilindrului
- 3 Pompa de combustibil
- 4 Maneta de pornire
- 5 Reglaj al șocului/Clichet de blocare a accelerației la pornire
- 6 Buton de oprire (Conectarea și deconectarea aprinderii.)
- 7 Maneta posterioară
- 8 Rezervorul de combustibil
- 9 Șuruburi de ajustare, carburator
- 10 Demarorul
- 11 Rezervorul uleiului de lanț
- 12 Plăcuță cu informații despre produs și cu numărul de serie
- 13 Clichet de blocare a butonului de accelerație (Împiedică accelerare accidentală.)
- 14 Maneta anterioară
- 15 Maneta frânei de lanț
- 16 Toba de eșapament
- 17 Lama de ghidaj
- 18 Pinionul de vârf
- 19 Lanțul de ferăstrău
- 20 Gheare de sprijin
- 21 Opritorul de lanț
- 22 Șurub de tensionare a lanțului
- 23 Capacul ambreiajului
- 24 Mănerul din spate cu apărătoare pentru mâna dreaptă
- 25 Butonul de accelerație
- 26 Instrucțiuni de utilizare
- 27 Cheie combinată
- 28 Apărător de lamă

Conținut

INTRODUCERE

Stimate client!	485
Simboluri pe mașină:	485
Părțile componente ale ferăstrăului cu motor	486

CUPRINS

Conținut	486
----------------	-----

MĂSURI GENERALE DE PROTECȚIA MUNCII

Măsuri luate înaintea folosirii unui ferăstrău cu motor nou	487
Important	487
Procedați permanent conform raționamentului de bun simț	487
Echipament personal de protecția muncii	488
Echipamentul de siguranță al mașinii	488
Mecanismul de tăiere	489

MONTAJ

Montarea lamei de ghidaj și a lanțului	492
----------------------------------------------	-----

MANIPULAREA COMBUSTIBILULUI

Amestecul de combustibil	493
Alimentarea	493
Siguranța manipulării combustibilului	493

PORNIRE ȘI OPRIRE

Pornire și oprire	494
-------------------------	-----

REGULI DE LUCRU

Înainte de fiecare folosire:	495
Instrucțiuni generale de lucru	495
Măsuri de prevenire a reculului	498

ÎNȚREȚINERE

Generalități	499
Reglarea carburatorului	499
Verificarea, întreținerea, și serviciul echipamentului de siguranță al ferăstrăului cu motor	499
Toba de eșapament	500
Filtrul de aer	500
Bujia	500
Planificarea întreținerii	501

DATE TEHNICE

Date tehnice	502
Combi-nații de lame de ghidaj și lanțuri	503
Declarație de conformitate EC	503

Măsuri luate înaintea folosirii unui ferăstrău cu motor nou

- Citiți instrucțiunile cu atenție.
- (1) - (50) consultați figurile de la pagina 2-5.
- Controlați montarea și reglarea dispozitivului de tăiere. A se vedea instrucțiunile la paragraful Montaj.
- Alimentați și porniți motofierăstrăul. Vezi instrucțiunile din capitolele Alimentație și Pornirea și oprirea.
- Nu folosiți ferăstrăul cu motor înainte ca lanțul să fi primit suficient ulei. A se vedea instrucțiunile la paragraful Ungerea dispozitivului de tăiere.
- Expunere îndelungată la zgomot poate duce la defecte de auz definitive. De aceea folosiți întotdeauna protecția auzului omologată.



AVERTISMENT! Orice modificare a construcției originale a mașinii este interzisă fără aprobarea fabricantului. Folosiți întotdeauna piese de schimb originale. Modificări sau accesorii neautorizate pot să ducă la răni serioase, sau accidente mortale ale utilizatorului sau a altor persoane.



AVERTISMENT! Ferăstrăul cu motor este o unealtă periculoasă dacă se folosește neglijent sau incorect, și poate duce la răni serioase, chiar și mortale. Este foarte important să citiți și să înțelegeți conținutul acestor instrucțiuni de utilizare.



AVERTISMENT! În interiorul tobei de eșapament se află substanțe chimice care pot fi cancerigene. Evitați orice contact cu aceste substanțe în cazul în care toba de eșapament este deteriorată.



AVERTISMENT! Inhalarea un timp îndelungat a gazelor de eșapament ale motorului, aburului uleiului de lanț cât și a pulberii de rumeguș poate duce la riscarea sănătății.



AVERTISMENT! În timpul funcționării, acest aparat produce un câmp electromagnetic. În anumite împrejurări, acest câmp poate interfera cu implanturile medicale active sau pasive. Pentru a reduce pericolul de răni grave sau fatale, recomandăm persoanelor cu implanturi medicale să consulte medicul și producătorul de implanturi medicale înainte de a acționa aparatul.

Important

IMPORTANT!

Aparatul a fost proiectat exclusiv pentru tăierea materialului lemnos.

Utilizați numai combinațiile șină/lanț recomandate în capitolul Date tehnice.

Nu utilizați niciodată aparatul în cazurile în care sunteți obosit, ați consumat băuturi alcoolice sau dacă vă tratați cu medicamente care vă pot afecta vederea, judecata sau coordonarea mișcărilor.

Purtați echipament individual de protecție. A se vedea instrucțiunile de la paragraful Echipamentul individual de protecție.

Niciodată nu modificați aparatul în așa fel încât să nu mai corespundă design-ului original și nu-l utilizați dacă există suspiciunea că a fost modificat de către altcineva.

Nu folosiți niciodată o mașină defectă. Efectuați operațiile regulate de verificare, întreținere și service descrise în acest manual. Unele operații de întreținere și service trebuie făcute de specialiști cu experiență și calificați. A se vedea instrucțiunile de la paragraful Întreținere.

Nu folosiți niciodată alte accesorii decât cele recomandate în acest manual. A se vedea instrucțiunile de la paragrafele Mecanism de tăiere și Date tehnice.

ATENȚIE! Totdeauna purtați ochelari sau vizor de protecție pentru a reduce riscul vătămarilor corporale provocate de obiecte aruncate. Motofierăstrăul poate proiecta cu mare putere obiecte cum ar fi: așchii de lemn, bucați mici de lemn, etc. Acest lucru poate duce la vătămări grave, în special ale ochilor.



AVERTISMENT! A folosi motorul într-un spațiu închis sau cu ventilație insuficientă poate duce la cazuri mortale prin sufocare sau prin intoxicație cu monoxid de carbon.



AVERTISMENT! Echipamentul de tăiere deteriorat sau o combinație necorespunzătoare șină/lanț crește riscul apariției reculului. Utilizați exclusiv combinațiile șină/lanț recomandate și urmați instrucțiunile privind ascuțirea. Vezi instrucțiunile din capitolul Date tehnice.

Procedați permanent conform raționamentului de bun simț (2)

Nu se pot descrie toate situațiile care pot apărea în cursul utilizării motofierăstrăului. Procedați permanent cu grijă și conform raționamentului de bun simț. Evitați situațiile pe care considerați că nu le puteți rezolva. Dacă după parcurgerea acestor instrucțiuni aveți neclarități legate de procedurile de utilizare, consultați un expert înainte de a continua. În cazul în care aveți întrebări legate de utilizarea motofierăstrăului, nu ezitați să luați legătura cu dealer-ul sau cu noi. Ne face plăcere să vă ajutăm și să vă oferim indicații și asistență pentru a vă permite să utilizați motofierăstrăul într-o manieră eficientă și sigură. Dacă este posibil, urmați un curs de calificare în utilizarea motofierăstrăului. Dealer-ul, școala de silvicultură sau biblioteca vă pot oferi informații privind materialele și cursurile disponibile. Depunem permanent eforturi pentru a îmbunătăți design-ul și tehnologia - îmbunătățirile sunt menite să crească siguranța și eficiența. Vizitați dealer-ul în mod regulat pentru a afla cum puteți beneficia de caracteristicile noi introduse.

Echipament personal de protecția muncii



AVERTISMENT! Cele mai multe accidente cu ferăstrăul cu motor se întâmplă atunci când lanțul lovește utilizatorul. La orice folosire a mașinii trebuie folosit un echipament de protecție personal omologat. Echipamentul de protecție personal nu elimină riscul de rănire dar reduce efectul unei răniri în cazul unui accident. Cereți ajutor la magazinul de vânzare pentru algera echipamentului.

- Cască de protecție omologată
- Protecția auzului
- Ochelari sau mască de protecție
- Mănuși cu protecție la tăiere
- Pantaloni de protecție pentru lucrul cu motofierăstrăul
- Cizme cu protecție la tăiere, apărător de degete din oțel și talpă antiderapantă
- Trusa de prim ajutor trebuie să fie întotdeauna la îndemână.
- Stingător de incendiu și lopată

Hainele în general trebuie să fie mulate pe corp, fără să limiteze posibilitățile de mișcare.

IMPORTANT! Este posibil să sară scantei din amortizorul de zgomot, din șină, din lanț sau din alte surse. Totdeauna păstrați la îndemână stingătoarele de incendiu pentru cazuri de nevoie. Astfel puteți contribui la prevenirea incendiilor de pădure.

Echipamentul de siguranță al mașinii

În această secțiune sunt prezentate caracteristicile de siguranță ale aparatului și funcționarea acestora. În ceea ce privește verificarea și întreținerea, vezi instrucțiunile din capitolul Verificarea, întreținerea și service-ul echipamentelor de siguranță ale motofierăstrăului. Vezi instrucțiunile din capitolul "Componențe" pentru a afla unde sunt amplasate aceste componente pe aparat.

Durata de folosire a mașinii se poate scurta iar riscul de răniri poate crește dacă întreținerea mașinii nu se efectuează în mod corect și dacă service și/sau reparații nu se efectuează într-un mod profesional. Dacă aveți nevoie de informații suplimentare, contactați atelierul service cel mai apropiat.



AVERTISMENT! Niciodată nu utilizați un aparat cu componentele de siguranță deteriorate. Echipamentul de siguranță trebuie verificat și întreținut. Vezi instrucțiunile din capitolul Verificarea, întreținerea și service-ul echipamentelor de siguranță ale motofierăstrăului. În cazul în care aparatul dumneavoastră nu trece toate testele, duceți-l la un atelier de service pentru reparații.

Frâna de lanț cu maneta de frână

Motofierăstrăul este prevăzut cu o frână a lanțului, menită să oprească lanțul în caz de recul. Frâna lanțului reduce riscul producerii accidentelor, dar numai dumneavoastră le puteți preveni. Aveți grijă în cazul folosirii ca zona de recul a lamei să nu atingă vreun obiect.

- Frâna lanțului (A) se poate activa manual (cu mâna stângă) sau prin inerția mecanismului de eliberare. (3)
- Activarea se produce atunci când maneta de frână (B) este împinsă înainte. (3)
- Această mișcare declanșează un mecanism cu arc care întinde banda de frână (C) pe axa motoare a motorului (D) (tamburul ambreiajului). (4)
- Maneta de frână nu s-a conceput doar pentru activarea frânei de lanț. O altă funcțiune foarte importantă este să micșoreze riscul ca lanțul să lovească mâna stângă, în cazul în care scăpați mânerul anterior.
- Frâna lanțului trebuie activată în momentul pornirii motofierăstrăului pentru a împiedica mișcarea lanțului.
- Utilizați frâna lanțului ca pe o "frână de parcare" atunci când porniți motofierăstrăul sau îl deplasați pe distanțe scurte, pentru a preveni accidentele atunci când există riscul ca lanțul să lovească accidental persoane sau obiecte aflate în apropiere.
- Pentru eliberarea frânei de lanț, trageți maneta de frână înapoi, înspre mânerul anterior.
- Reculuri pot să fie foarte rapide și violente. Cele mai multe reculuri sunt mici, și nu declanșează întotdeauna frâna de lanț. În cazul unui astfel de recul, țineți hotărât ferăstrăul cu motor și nu-l scăpați din mână.
- Modul de declanșare a frânei de lanț, manual sau prin forța de inerție, depinde de forța reculului, cât și de poziția ferăstrăului cu motor față de obiectul atins de zona de recul a lamei.

În cazul în care se produce un recul violent atunci când zona de recul este în punctul cel mai îndepărtat de dumneavoastră, frâna lanțului se activează prin construcție datorită deplasării contragreutății (activare prin inerție) în direcția reculului.

Atunci când reculul este mai puțin violent, sau în cazul unei situații de lucru unde zona de recul se găsește mai aproape de utilizator, frâna de lanț va fi declanșată manual cu ajutorul mâinii stângi.

- În poziția de tăiere a arborelui, mâna stângă se află într-o poziție care nu permite activarea manuală a frânei lanțului. În acest caz, când mâna stângă se află într-o poziție în care nu poate afecta deplasarea apărătoarei de mână din față, frâna lanțului se poate activa numai prin inerție.

În cazul unui recul mâna mea va activa de fiecare dată frâna lanțului?

Nu. Pentru a împinge apărătoarea de recul înainte, este nevoie de o anumită forță. În cazul în care mâna doar atinge ușor apărătoarea de recul sau trece peste ea, este posibil ca forța să nu fie suficientă pentru a activa frâna lanțului. De asemenea, în timpul lucrului trebuie să țineți ferm mânerul motofierăstrăului. Dacă procedați astfel și se produce recul, este posibil să nu luați mâna deloc de pe mânerul din față și astfel să nu activați frâna lanțului sau este posibil ca frâna lanțului să nu se declanșeze până când fierăstrăul este proiectat destul de mult înapoi. În asemenea situații este posibil ca frâna să nu poată opri lanțul înainte ca acesta să vă lovească.

Este posibil ca în anumite poziții de lucru mâna dumneavoastră să nu ajungă la apărătoarea de recul pentru a activa frâna lanțului; de exemplu atunci când motofierăstrăul este ținut în poziția de doborâre a arborilor.

În cazul apariției unui recul, activarea prin inerție a frânei lanțului va funcționa mereu?

Nu. În primul rând frâna trebuie să funcționeze. Funcționarea frânei se verifică ușor, vezi instrucțiunile din capitolul Verificarea, întreținerea și service-ul echipamentelor de siguranță ale motofierăstrăului. Recomandăm efectuarea acestei verificări la începutul fiecărui schimb. În al doilea rând, reculul trebuie să fie suficient de puternic pentru a activa frâna. Dacă frâna lanțului ar fi prea sensibilă, s-ar activa mereu, ceea ce ar deranja lucrul.

Frâna lanțului mă va proteja de vătămări ori de câte ori apare reculul?

Nu. În primul rând frâna trebuie să funcționeze pentru a oferi protecția preconizată. În al doilea rând frâna trebuie activată conform descrierii de mai sus pentru a opri lanțul în cazul apariției unui recul. În al treilea rând, frâna poate fi activată, dar dacă șina este prea aproape de dumneavoastră, este posibil ca frâna să nu poată încetini și opri lanțul înainte ca motofierăstrăul să vă lovească.

Doar dumneavoastră puteți elimina reculul și riscurile pe care le prezintă prin tehnică de lucru corespunzătoare.

Clichetă de blocare a butonului de accelerație

Blocatorul clapetei de admisie este menit să împiedice acționarea accidentală a admisie. Atunci când apăsați blocatorul (A) (atunci când apucați mânerul) acesta eliberează maneta de control al admisie (B). Atunci când eliberați mânerul, clapeta de control al admisie și blocatorul revin amândouă în poziția originală. Această dispunere duce la blocarea automată a admisie în timpul mersului în gol. (5)

Opritorul de lanț

Opritorul de lanț este construit pentru a opri lanțul în caz că acesta se rupe sau sare din loc. Aceste situații sunt evitate în cele mai multe cazuri printr-o tensionare corectă a lanțului (a se vedea indicațiile la paragraful Montaj), cât și prin service și întreținere corespunzătoare a lamei de ghidaj și a lanțului (a se vedea instrucțiunile de la paragraful Instrucțiuni generale de lucru).

Apărătorul de mână dreaptă

Protecția mâinii drepte are ca rol, în afară de protejarea mâinii în cazul când lanțul sare de la loc sau se rupe, și să împiedice ca crengi și nuiele să deranjeze apucarea mânerului posterior.

Sistemul de amortizare a vibrațiilor

Mașina Dvs. este înzestrată cu un sistem de amortizare a vibrațiilor, conceput să reducă vibrațiile și să facă manevrarea mai ușoară.

Sistemul de amortizare a vibrațiilor al mașinii reduce transmiterea vibrațiilor între unitatea de motor/dispozitivul de tăiere și unitatea de mână a mașinii. Corpul ferăstrăului cu motor, inclusiv dispozitivul de tăiere, este cuplat de mână prin așa numite elemente de amortizare a vibrațiilor.

La tăierea soiurilor de lemn de esență tare (în general foioase) se produc mai multe vibrații decât la tăierea soiurilor de lemn de

esență moale (în general conifere). Lucrul cu un dispozitiv de tăiere tocit sau defect (de tip necorespunzător sau defectuos)



AVERTISMENT! Expunerea prelungită la vibrații poate provoca afecțiuni ale sistemelor circulator și nervos la persoane cu circulația slabă a sângelui. În cazul în care observați simptome ale expunerii prelungite la vibrații, consultați un medic. Aceste simptome pot fi: amorțeală, insensibilitate, tremurături, înțepături, durere, pierdere de forță, decolorări sau degradări ale pielii. Aceste simptome de manifestă de regulă la nivelul degetelor, mâinilor sau încheieturilor. Ele pot fi agravate de temperaturile scăzute.

Contactul de oprire

Folosiiți întrerupătorul de oprire pentru oprirea motorului.

Toba de eşapament

Amortizorul este destinat reducerii nivelului de zgomot și îndepărtării gazelor de eşapament de la utilizator.



AVERTISMENT! Gazele de eşapament ale motorului sunt fierbinți și pot conține scântei care pot produce incendii. Nu puneți niciodată în funcțiune mașina în interior sau în apropiere de materiale inflamabile!

În țările cu climă caldă și uscată riscurile producerii incendiilor de pădure este mai mare. Este posibil ca legile și reglementările din aceste țări să impună ca amortizorul de zgomot să fie prevăzut, printre altele, și cu o sită parascântei (A). (6)



ATENȚIE! În timpul utilizării și după oprire amortizorul de zgomot poate fi foarte fierbinte. Acest lucru este valabil și în cazul mersului în gol. Atenție la pericolul de incendiu, în special în cazul manipulării în apropierea substanțelor și/sau gazelor inflamabile.



AVERTISMENT! Niciodată nu utilizați motofierăstrăul cu amortizorul de zgomot lipsă sau deteriorat. Un amortizor de zgomot defect poate duce la creșteri semnificative ale nivelului de zgomot și ale pericolului de incendiu. Țineți la îndemână echipamentele de stingere a incendiilor. Dacă sita de protecție a lanțului este obligatorie în zona în care lucrați, nu utilizați motofierăstrăul fără sită parascântei sau cu sita defectă.

Mecanismul de tăiere

Acest capitol arată cum o întreținere corectă și folosirea unui dispozitiv de tăiere de tip corect:

- Reduce tendința de recul a mașinii.
- Reduce riscul ruperii sau desprinderii lanțului.
- Obține performanțe optime de tăiere.
- Duce la creșterea vieții de lucru a dispozitivului de tăiere.
- Evita niveluri crescute ale vibrațiilor.

Reguli generale

- **Folosiiți numai acul dispozitiv de tăiere recomandat de noi!** Vezi instrucțiunile din capitolul Date tehnice.

MĂSURI GENERALE DE PROTECȚIA MUNCII

- **Dinții de tăiere ai lanțului trebuie să fie întotdeauna bine și corect ascuțiți!** Urmați instrucțiunile noastre și folosiți **gablonul de ascuțire recomandat**. Un lanț deteriorat sau defectuos ascuțit mărește riscul de accidente.
- **Păstrați diferența de nivel corectă față de distanțier!** **Urmați instrucțiunile și utilizați matrița recomandată.** Diferența prea mare duce la creșterea riscului de recul.
- **Mențineți lanțul tensionat!** Dacă lanțul nu este suficient întins, riscul ca acesta să sară de pe loc crește, iar uzura lamei de ghidaj, a lanțului și a roții de lanț crește.
- **Mecanismul de tăiere trebuie să fie bine lubrifiat și corect întreținut!** Un lanț cu lubrifiere nesatisfăcătoare se rupe mai ușor, iar uzura lamei de ghidaj, a lanțului și a roții de lanț crește.

Echipament de tăiere proiectat pentru minimizarea reculului



AVERTISMENT! Echipamentul de tăiere deteriorat sau o combinație necorespunzătoare șină/lanț crește riscul apariției reculului. **Utilizați exclusiv combinațiile șină/lanț recomandate și urmați instrucțiunile privind ascuțirea. Vezi instrucțiunile din capitolul Date tehnice.**

Singura cale de evitare a reculului este de a vă asigura ca utilizator că zona de recul a lamei de ghidaj niciodată nu atinge vreun obiect. Prin folosirea unui mecanism de tăiere cu protecție antirecul "inclusă în construcție", și prin a ascuți și a întreține lanțul în mod corect, puteți să reduceți efectele unui recul.

Lama de ghidaj

Cu cât raza vârfului este mai mică, cu atât scade riscul de recul.

Lanțul de ferăstrău

Un lanț de ferăstrău este compus dintr-un număr de zale, care există atât în variantă standard cât și cu recul redus.

IMPORTANT! Nici un lanț nu poate elimina complet riscul de recul.



AVERTISMENT! Orice contact cu lanțul aflat în mișcare poate provoca vătămări extrem de grave.

Câțiva termeni pentru descrierea lamei de ghidaj și a lanțului

Pentru a menține toate caracteristicile de siguranță ale componentelor de lanț, trebuie să înlocuiți combinațiile șină/lanț uzate și deteriorate cu o șină și un lanț recomandate de Jonsered. Pentru informații privind combinațiile recomandate șină/lanț, vezi instrucțiunile din secțiunea Date tehnice.

Lama de ghidaj

- Lungime (țoli/cm)
- Numărul dinților din pinionul de vârf (T).
- Pasul lanțului (=pitch) (țoli). Pinionul de vârf al lamei și roata motoare de lanț a ferăstrăului cu motor trebuie să fie adaptate la distanța dintre zalele de antrenare.
- Numărul dinților de antrenare (bucăți). Fiecare lungime de lamă de ghidaj în combinație cu pasul lanțului și cu numărul de dinți ai pinionului de vârf dă un număr determinat de dinți de antrenare.

- Lățimea canelurii de ghidaj (țoli/mm) Lățimea canelurii de ghidaj trebuie să se potrivească cu grosimea zalei de antrenare a lanțului.
- Orificiile pentru ungerea și pentru întinderea lanțului. Lama de ghidaj trebuie să se potrivească la construcția ferăstrăului cu motor.

Lanțul de ferăstrău

- Pasul lanțului de ferăstrău (=pitch) (țoli)
- Grosimea zalei de antrenare (mm/țoli)
- Numărul zalelor de antrenare (bucăți)

Ascuțirea lanțului și reglarea diferenței de nivel față de distanțier



AVERTISMENT! Pentru a vă proteja mâinile, purtați întotdeauna mănuși în timp ce lucrați cu lanțul.

Informații generale despre ascuțirea dinților de tăiere

- Niciodată nu utilizați un lanț tocit. În cazul în care lanțul este tocit, trebuie să exercitați o presiune mai are pentru a forța șina să treacă prin lemn, iar tăieturile vor fi foarte mici. Un lanț foarte tocit nu taie deloc. Nu obțineți decât rumeguș.
- Un lanț ascuțit trece prin lemn și produce tăieturi lungi și groase.
- Acea parte a lanțului care taie se numește za și se compune din dinte (A) și distanțier (B). Adâncimea tăieturii este determinată de diferența între înălțimile celor două. (7)

Atunci când ascuțiți dintele, trebuie să rețineți patru factori importanți:

- 1 Unghiul de pilire
- 2 Unghiul de tăiere
- 3 Poziția pilei
- 4 Diametrul pilei rotunde

Fără echipament corespunzător este foarte dificil de ascuțit lanțul în mod corect. Recomandăm utilizarea matriței noastre. Acest lucru vă va ajuta să obțineți recul minim și performanțe de tăiere maxime.

Pentru informații privind ascuțirea lanțului, vezi instrucțiunile din secțiunea Date tehnice.



AVERTISMENT! Nerespectarea întocmai a instrucțiunilor de ascuțire crește considerabil riscul de recul.

Ascuțirea dinților de tăiere

Pentru a ascuți dintele aveți nevoie de o pilă rotundă și o matriță. Pentru informații privind dimensiunile pilei și a matriței recomandate pentru motofierăstrăul dumneavoastră, vezi instrucțiunile din secțiunea Date tehnice.

- Verificați ca lanțul să fie întins. O tensionare insuficientă face ca lanțul să fie instabil în lateral, ceea ce îngreuează o ascuțire corectă.
- Piliți dinții de tăiere întotdeauna dinspre partea interioară spre exterior. Reduceți presiunea asupra pilei în timpul mișcării de retragere. Piliți întâi toți dinții dintr-o parte, întoarceți apoi ferăstrăul cu motor și piliți dinții de pe partea cealaltă
- Piliți toți dinții la aceeași lungime. Când lungimea dinților de tăiere s-a redus la 4 mm (0,16"), lanțul se consideră uzat, și se va arunca. (8)

Recomandări generale legate de diferența de nivel între dinte și distanțier

- Atunci când ascuțiți dintele, reduceți diferența de nivel între acesta și distanțier (adâncimea de tăiere). Pentru a păstra performanțele de tăiere, trebuie să piliți și distanțierul până la cota recomandată. Pentru a afla diferența de nivel recomandată pentru lanțul dumneavoastră, vezi instrucțiunile din secțiunea Date tehnice.



AVERTISMENT! Diferența de nivel prea mare duce la creșterea riscului de recul!

Reglarea diferenței de nivel față de distanțier

- Dintele trebuie să fie proaspăt ascuțit înainte de reglarea diferenței de nivel față de distanțier. Recomandăm reglarea diferenței de nivel față de distanțier la fiecare a treia ascuțire a lanțului. **NOTĂ!** Această recomandare presupune că lungimea dintelui nu este redusă excesiv.
- Pentru a regla diferența de nivel față de distanțier aveți nevoie de o pilă lată și matrița de distanțier. Vă recomandăm să utilizați matrița noastră pentru a obține o diferență de nivel corectă față de distanțier și un unghi corect al distanțierului.
- Amplasați matrița pe lanț. Informațiile privind utilizarea matriței se găsesc pe ambalaj. Cu ajutorul pilei late nivelați partea proeminentă a distanțierului. Diferența de nivel față de distanțier este corectă atunci când nu întâmpinați rezistență la trecerea pilei peste matriță.

Tensionarea lanțului



AVERTISMENT! Un lanț netensionat poate sări de pe lama de ghidaj și cauza leziuni serioase, și chiar și mortale.



AVERTISMENT! Folosiți întotdeauna mănuși de protecție omologate. Chiar și un lanț oprit poate provoca vătămări grave utilizatorului sau altor persoane care au acces la lanț.

Cu cât mai mult folosiți un lanț, cu atât mai mult se lungeste. De aceea este important să adaptați dispozitivul de tăiere ținând cont de această modificare.

Tensionarea lanțului trebuie verificată la fiecare alimentare cu combustibil. **ATENȚIE!** Un lanț nou are o perioadă de rodaj, în timpul căreia trebuie să verificați tensionarea lanțului mai des.

În mod general este valabil ca tensionarea lanțului să se facă cât se poate de bine, dar nu așa de tare încât să nu-l puteți trage liber cu mâna. (9)

- Slăbiți cu ajutorul cheii combinate piulițele lamei de ghidaj/frânci de lanț. Strângeți apoi piulițele cât puteți de tare cu mâna liberă. (10)
- Ridicați vârful lamei de ghidaj, și întindeți apoi lanțul prin acționarea șurubului de întindere cu cheia combinată. Întindeți lanțul până ce nu mai atârână în partea de jos a lamei. (11)
- Folosiți cheia combinată și strângeți piulițele lamei de ghidaj, în timp ce țineți vârful lamei ridicat. Verificați că puteți să trageți în mod liber lanțul în jurul lamei cu mâna, și că acesta nu atârână pe partea inferioară a lamei. (12)

Ungerea mecanismului de tăiere



AVERTISMENT! Ungerea insuficientă a mecanismului de tăiere poate să aibă ca rezultat ruperea lanțului, care poate produce leziuni serioase, chiar și mortale.

Uleiul de lanț

Uleiul de lanț al ferăstrăului cu motor trebuie să se mențină pe lanț și în același timp să aibe fluiditate bună atât în anotimpul de vară, cât și în cel de iarnă.

În calitate de producător al ferăstrăului cu motor, firma noastră a elaborat un gresant de lanț optim care, fiind bazat pe ulei vegetal, este dezagregabil din punct de vedere biologic. În scopul unei durate de folosire maximă a ferăstrăului cu motor, precum și Dacă uleiul nostru este inaccessibil, se recomandă folosirea unui ulei de lanț de ferăstrău standard.

Nu folosiți niciodată un ulei care a fost întrebuințat! Acest lucru pune în pericol persoana dumneavoastră, aparatul și mediul.



IMPORTANT! În cazul în care ungeți lanțul cu ulei vegetal, demontați și curățați canalul șinei și lanțul înainte de a depozita aparatul pe termen lung. În caz contrar, există riscul ca uleiul să se oxideze, ceea ce duce la pierderea flexibilității lanțului și la blocarea roții de lanț aflate la capătul șinei.

Alimentarea cu ulei de lanț de ferăstrău

- Toate modelele ferăștrăielor noastre cu motor au un sistem automat de lubrifiere a lanțului de ferăstrău. La unele modele debitul de ulei este și reglabil.
- Rezervoarele pentru uleiul de ungere a lanțului și pentru carburant sunt proiectate în așa fel, încât carburantul să se consume înaintea uleiului.

Totuși, această caracteristică de siguranță presupune utilizarea unui ulei de ungere corespunzător (dacă uleiul este prea subțire, se va consuma înaintea carburantului) și reglarea carburatorului conform recomandărilor (un amestec slab poate duce la epuizarea uleiului înaintea carburantului). De asemenea, trebuie să utilizați echipamentul de tăiere corespunzător (o șină prea lungă duce la creșterea consumului de ulei).

Verificarea lubrifierii lanțului de ferăstrău

- Verificați lubrifierea lanțului de ferăstrău la fiecare alimentare cu combustibil. Vezi instrucțiunile din capitolul Ungerea vârfului șinei.

Îndreptați vârful lamei înspre un obiect de culoare deschisă, la o distanță de cca. 20 cm (8 Țol) de acesta. După un minut de funcționare cu o accelerație de 3/4, trebuie să se vadă o linie distinctă de ulei pe obiectul de culoare deschisă.

Dacă ungerea lanțului nu funcționează:

- Verificați ca canalul de ulei în lama de ghidaj să nu fie infundat. Curățați-l dacă este necesar.
- Verificați dacă canelura de ghidaj a lamei este curată. Curățați-o dacă este nevoie.
- Verificați că pinionul de vârf se rotește liber și că orificiul de ungere de pe vârful lamei de ghidaj nu este infundat. Curățați-l și ungeți-l dacă este nevoie.

Dacă sistemul de lubrifiere a lanțului nu funcționează nici după executarea măsurilor de mai sus, trebuie să luați legătura cu un atelier specializat de reparații.

Roata motoare de lanț

Discul de ambreiaj este prevăzut cu o rotă dințată cilindrică (roata de antrenare a lanțului este sudată pe disc).

Verificați periodic gradul de uzură a roții de acționare. Schimbați-o în caz de uzură excesivă. De câte ori schimbați lanțul, schimbați și roata de lanț.

Controlul uzurii mecanismului de tăiere

Verificați zilnic lanțul de ferăstrău pentru a descoperi:

- Fisuri vizibile pe știfturi și pe zale.
- Dacă lanțul a devenit rigid.
- Dacă știfturile și zalele au o uzură mare.

Înlocuiți lanțul în cazul în care prezintă oricare din aspectele menționate mai sus.

Vă recomandăm să comparați lanțul actual cu un lanț nou în vederea stabilirii gradului de uzură.

Când lungimea dinților de tăiere s-a micșorat la 4 mm, atunci lanțul este uzat și trebuie schimbat.

Lama de ghidaj

Verificați periodic:

- Dacă există bavuri pe canturile lamei de ghidaj. Îndepărtați-le cu o pilă dacă este necesar. (13A)
- Dacă canelura de ghidaj a lamei este excesiv uzată. Schimbați lama de ghidaj dacă este necesar. (13B)
- Dacă vârful lamei de ghidaj este neregulat sau excesiv uzat. Dacă s-a format o "adincitură" acolo unde raza vârfului lamei se termină pe partea inferioară a lamei, aceasta se datorește unui lanț insuficient tensionat.
- Pentru o durată de exploatare maximă a lamei de ghidaj, trebuie ca aceasta să fie întoarsă odată pe zi.



AVERTISMENT! Cele mai multe accidente cu ferăstrăul cu motor se întâmplă atunci când lanțul lovește utilizatorul.

Purtați echipament individual de protecție. A se vedea instrucțiunile de la paragraful Echipamentul individual de protecție.

Evitați orice muncă pentru care nu sunteți calificat. A se vedea instrucțiunile de la paragrafele Echipament individual de protecție, Măsuri de evitare a reculului, Mecanismul de tăiere și Instrucțiuni generale de lucru.

Evitați situații unde există risc de recul. A se vedea instrucțiunile de la paragraful Dispozitivul de protecție al mașinii.

Folosiți dispozitiv de tăiere recomandat și controlați starea acestuia. A se vedea instrucțiunile de la paragraful Instrucțiuni generale de lucru.

Verificați funcționarea tuturor detaliilor de siguranță ale ferăstrăului cu motor. A se vedea instrucțiunile de la paragrafele Instrucțiuni generale de lucru și Măsuri generale de siguranță.

Montarea lamei de ghidaj și a lanțului



AVERTISMENT! Opriiți motorul înainte de a efectua verificări sau lucrări de întreținere. Butonul de oprire revine automat în poziția de pornire. Pentru a preveni pornirea accidentală, capacul bujei trebuie scos de pe bujie în timpul operațiilor de asamblare, verificare și întreținere.

Pentru a vă proteja mâinile, purtați întotdeauna mănuși în timp ce lucrați cu lanțul.

Verificați ca frâna de lanț să nu fie declanșată, trăgând protecția la recul a lanțului spre mânerul anterior.

Demontați piulițele lamei și scoateți capacul ambreiajului (frâna lanțului). Scoateți protecția la transport. (A) (14)

Așezați lama peste bolțurile sale. Plasați lama în poziția cea mai posterioară. Așezați lanțul în jurul roții de antrenare a lanțului și în canelura lamei. Începeți dinspre partea superioară a lamei. (15)

Asigurați-vă că dinții de tăiere ai zalelor sunt orientați înainte pe partea superioară a lamei.

Potrivii capacul de ambreiaj (frâna cu lanț) și localizați bolțul regulatorului lanțului în gaura din bară. Verificați dacă legăturile de antrenare ale lanțului se potrivesc bine peste pinionul de antrenare și dacă lanțul este corect localizat în canelura din bară. Strângeți bine piulițele barei. (16)

Tensionați lanțul, trăgând șurubul de ajustare a lanțului cu ajutorul cheii combinate în sens orar. Întindeți lanțul până ce nu mai atârână pe partea inferioară a lamei. Vezi instrucțiunile din capitolul Tensionarea lanțului. (17)

Lanțul este corect tensionat atunci când nu mai atârână pe partea inferioară a lamei, dar încă se poate trage ușor cu mâna în jurul lamei. Strângeți piulițele lamei cu cheia combinată în timp vârful lamei este ținut în sus. (18)

La un lanț nou trebuie verificată întinderea lanțului des, până ce lanțul se rodează. Verificați tensiunea lanțului regulat. Un lanț corect tensionat are performanțe bune de tăiere și durată lungă de exploatare. (19)

Montajul ghearelor de sprijin

Pentru montajul ghearelor de sprijin, contactați atelierul de întreținere.

Amestecul de combustibil

Notați! Aparatul este acționat de un motor în doi timpi și trebuie alimentat cu un amestec de benzină și ulei pentru motoare în doi timpi. Este important să măsurați cu precizie cantitatea de ulei utilizată pentru a asigura obținerea unui amestec corespunzător. În cazul preparării unor cantități mici de carburant, chiar și cele mai mici abateri pot influența drastic compoziția amestecului.



AVERTISMENT! Asigurați întotdeauna o ventilație bună în timpul manevrării combustibilului.

Benzină

- Folosiți benzină fără plumb sau benzină cu plumb de bună calitate.
- Cifra octanică minimă recomandată este 90 (RON). Dacă motorul este alimentat cu benzină cu o cifră octanică mai mică decât 90 pot apărea detonații. Aceasta duce la creșterea temperaturii motorului și la sarcini crescute, care pot duce la deteriorări grave ale motorului.
- Când lucrați cu turații mari timp îndelungat (de ex. la tăierea crengilor), o cifră octanică superioară este recomandabilă.

Rodaj

Evitați folosirea la viteze mari pe o perioadă mai lungă în timpul primelor 10 ore de funcționare.

Ulei pentru motoare în doi timpi

- Utilizați ulei pentru motoare în doi timpi JONSERED, realizat special pentru a obține rezultate și performanțe optime cu motoare în doi timpi, răcite cu aer.
- Nu utilizați niciodată ulei destinat motoarelor suspendate în exteriorul bordului, răcite cu apă, denumit uneori ulei pentru motoare suspendate (TCW).
- Nu folosiți niciodată uleiuri destinate pentru motoare în patru timpi.
- Uleiul de calitate inferioară sau amestecul de ulei/carburant prea bogat poate pune în pericol funcționarea convertorului catalitic și poate reduce durata de funcționare a acestuia.

Raport de amestec

1:50 (2%) cu ulei JONSERED pentru motoare în doi timpi.

1:33 (3%) cu alte uleiuri proiectate pentru motoare în doi timpi, răcite cu aer, din clasele JASO FB/ISO EGB.

Benzină, litri	Ulei pentru motoare în doi timpi, litri	
	2% (1:50)	3% (1:33)
5	0,10	0,15
10	0,20	0,30
15	0,30	0,45
20	0,40	0,60

Amestecul

- Amestecați întotdeauna benzina și uleiul într-un rezervor curat destinat pentru benzină.
- Începeți întotdeauna cu jumătatea cantității de benzină. Adăugați apoi toată cantitatea de ulei. Amestecați (scuturați) amestecul de combustibil. Adăugați restul cantității de benzină.
- Amestecați (scuturați) amestecul de combustibil bine înainte de a umple rezervorul de combustibil al mașinii.

- Nu faceți rezerve de combustibil pentru mai mult de o lună.
- Dacă nu folosiți mașina un timp mai îndelungat, rezervorul de combustibil trebuie golit și curățat.

Ulei de lanț

- Pentru ungere recomandăm utilizarea unui ulei special (ulei pentru lanț), cu caracteristici de adeziune superioare.
- Nu folosiți niciodată ulei uzat. Aceasta poate duce la avarii ale pompei de ulei, ale lamei și ale lanțului.
- Este important să folosiți un tip corect de ulei în raport cu temperatura ambientă (de vâscozitate corespunzătoare).
- La temperaturi sub 0°C anumite uleiuri devin mai vâscoase. Aceasta poate să ducă la suprasolicitarea pompei de ulei și rezultă în avarii ale componentelor pompei.
- Luați legătura cu atelierul de reparații pentru alegerea uleiului de lanț.

Alimentarea



AVERTISMENT! Următoarele măsuri de precauție micșorează riscul de incendii:

Nu fumați și nu amplasați obiecte fierbinți în apropierea carburantului.

Opriți motorul și lăsați-l să se răcească câteva minute înainte de alimentare.

Deschideți capacul rezervorului de combustibil încet, ca o eventuală suprapresiune să fie încet compensată.

Strângeți bine capacul rezervorului după alimentare.

Mutați întotdeauna mașina de la locul alimentării înainte de pornire.

Ștergeți curat în jurul capacului rezervorului de combustibil. Curățați periodic rezervorul de combustibil și de ulei. Filtrul de combustibil trebuie schimbat cel puțin odată pe an. Un rezervor murdar cauzează tulburări în funcționare. Asigurați-vă înainte de alimentare, prin a scutura vasul cu combustibil, că amestecul de combustibil este bine amestecat. Volumul rezervorului de combustibil și volumul rezervorului de ulei sunt în corelație. Alimentați de aceea întotdeauna în același timp atât rezervorul de ulei al lanțului cât și rezervorul de combustibil.



AVERTISMENT! Combustibilul și vaporii lui sunt ușor inflamabili. Fiți atent la manipularea combustibilului și a uleiului de lanț. Țineți seama de riscul de incendiu, explozie și inhalare.

Siguranța manipulării combustibilului

- Nu alimentați niciodată mașina cu motorul în funcțiune.
- Asigurați-vă că ventilația este corespunzătoare atunci când alimentați sau în timpul preparării amestecului de combustibil (benzină și ulei pentru motoare în doi timpi).
- Mutați mașina cel puțin 3 m de la locul alimentării înainte de a porni.

- Nu porniți niciodată mașina:
- 1 Dacă ați vărsat pe mașină combustibil sau ulei de lanț. Ștergeți tot ce s-a vărsat și lăsați resturile de benzină să se evaporeze.
 - 2 Dacă ați vărsat carburant pe dumneavoastră sau pe îmbrăcăminte, schimbați îmbrăcăminte. Spălați părțile ce au ajuns în contact cu combustibilul. Folosiți săpun și apă.
 - 3 În caz de scurgere de combustibil din mașină. Verificați periodic capacul rezervorului și conductele de combustibil în privința curgerii.



AVERTISMENT! Niciodată nu utilizați aparate cu deteriorări vizibile ale bujei sau ale cablului de alimentare a aprinderii. Există riscul să sară scântei care pot provoca incendiu.

Transport și depozitare

- Depozitați întotdeauna ferăstrăul cu motor și combustibilul departe de orice izvor de scântei sau foc deschis. De exemplu mașini electrice, motoare electrice, releuri/întrepunătoare, boilere, etc.
- Depozitați combustibilul întotdeauna în recipiente proiectate și aprobate pentru acest scop.
- În decursul unei depozitări de lungă durată sau transportului ferăstrăului cu motor, rezervorul de combustibil și cel de ulei de lanț trebuie să fie golite. Întrebați la stația de benzină unde puteți să aruncați reziduurile de combustibil și de ulei de la
- Aveți grijă ca mașina să fie bine curățată și ca un service complet să fie efectuat înainte de depozitare pe termen îndelungat.
- În timpul transportului sau depozitării aparatului, trebuie montată apărătoarea pentru transport pentru a preveni contactul accidental cu lanțul ascuțit. Chiar și un lanț oprit poate provoca vătămări grave utilizatorului sau altor persoane care au acces la lanț.
- Asigurați aparatul în timpul transportului..

Depozitarea pe termen lung

Goliți rezervoarele de carburant și de ulei într-o zonă bine aerisită. Păstrați carburantul în recipiente omologate, în loc sigur. Montați apărătoarea șinei. Curățați aparatul. Vezi instrucțiunile din capitolul Programul de întreținere.

Pornire și oprire



AVERTISMENT! Înaintea pornirii trebuie observate următoarele:

Frâna lanțului trebuie activată în momentul pornirii motofierăstrăului pentru a reduce riscul contactului cu lanțul aflat în mișcare.

Nu porniți ferăstrăul cu motor fără ca lama, lanțul și toate capacele să fie montate. În caz contrar ambreiajul se poate desprinde și produce răni.

Așezați mașina pe un suport stabil. Aveți grijă să aveți o poziție stabilă și ca lanțul să nu atingă vreun obiect.

Aveți grijă ca nici o persoană neautorizată să nu se afle în zona de lucru.

Motor rece

Pornire: Frâna de lanț trebuie să fie decuplată atunci când ferăstrăul cu motor se pornește. Activați frâna prin deplasarea în față a protecției contra reculului. (20)

1. Pompa de combustibil: Presați balonul de cauciuc al pompei de combustibil de mai multe ori până ce combustibilul începe să umple balonul. Balonul nu trebuie umplut complet. (23)

2. Șocul: Scoateți complet sabotul de frână albastru/dispozitivul de control al supapei de reglaj de pornire (în poziția **SABOT DE FRÂNĂ PLIN**). După ce ați extras la maxim pârghia de șoc/mers rapid în gol, se aplică automat reglajul de admisie corect. (21)

Accelerația de pornire: Poziție combinată șoc/acelerație de pornire se obține când butonul șocului se plasează în poziție șoc. (22)

Pornire

Prindeți mânerul din față cu mâna stângă. Mențineți ferăstrăul cu lanț pe sol poziționând piciorul drept prin mânerul din spate.

3. Trageți mânerul demarorului cu mâna dreaptă și trageți ușor în afară cablul demarorului până când simțiți rezistență (în timp ce închizătoarele demarorului cuplează), apoi trageți puternic și rapid până ce motorul se încălzește. **Nu răsușiți niciodată cablul de pornire în jurul mâinii.** (25)

ATENȚIE! Nu trageți complet cablul de demaraj și nici nu dați drumul mânerului demarorului când acesta este în poziție complet scoasă. Aceste manevre pot produce avarii ale mașinii.

4. Împingeți dispozitivul de control la setarea „1/2 șoc” imediat ce motorul se încălzește (se produce un sunet similar cu un „puff”). (21)

5. Continuati să trageți cu putere cablul până când pornește motorul. (26) Lăsați motorul să se încălzească timp de 30 de minute, apoi strângeți declanșatorul supapei de admisie pentru a seta viteza normală la ralanti.

Deoarece frâna cu lanț este încă angrenată, viteza motorului trebuie să fie setată la modul repaus cât mai curând posibil; acest lucru se obține prin apăsarea rapidă a declanșatorului supapei de reglaj o singură dată. Acest lucru împiedică uzura inutilă a ambreiajului, a tamburului cuplajului și a benzii de frână.

Notați! Activați din nou frâna lanțului apăsând înapoi apărătoarea de mână din față (marcată cu inscripția „PULL

BACK TO RESET™ - trageți înapoi pentru resetare), către mânerul din față. Motofierăstrăul este acum pregătit pentru utilizare. (28)

Motor cald

Utilizați aceeași procedură ca și pentru pornirea unui motor rece, dar fără a fixa dispozitivul de control al sabotului de frână în poziția de sabot de frână. Fixați supapa de reglaj în poziția de pornire scoțând dispozitivul de control al sabotului de frână albastru în poziția de sabot de frână, apoi împingându-l din nou în interior. (24)



AVERTISMENT! Inhalarea un timp îndelungat a gazelor de eșapament ale motorului, aburului uleiului de lanț cât și a pulberii de rumeguș poate duce la riscurile sănătății.

- Nu porniți niciodată ferăstrăul cu motor fără ca lama, lanțul de ferăstrău și toate capacele să fie corect montate. A se vedea instrucțiunile la paragraful Montaj. Dacă șina și lanțul nu sunt montate pe motofierăstrău, este posibil ca ambreiajul să se desprindă și să provoace vătămări grave. (28)
- Frâna lanțului trebuie activată în momentul pornirii motofierăstrăului. Vezi instrucțiunile din capitolul Pornirea și oprirea. Niciodată nu porniți motofierăstrăul lăsându-l să cadă și trăgând de fir. Această metodă este extrem de periculoasă deoarece puteți pierde foarte ușor controlul asupra motofierăstrăului. (29)
- Nu porniți niciodată mașina în interiorul casei. Fiți conștient de pericolul inhalării gazelor de eșapament de la motor.
- Observați cu atenție zona din jur și asigurați-vă că nu se află persoane sau animale în apropiere, care ar putea să vină în contact cu dispozitivul de tăiere.
- Totdeauna țineți motofierăstrăul cu ambele mâini. Țineți mânerul din spate cu mâna dreaptă și mânerul din față cu mâna stângă. **Toți utilizatorii (dreptaci și stângaci) trebuie să respecte această poziție.** Țineți mânerul ferm, astfel încât degetul mare și celelalte degete să cuprindă mânerul motofierăstrăului. (30)

Oprire

Oprii motorul apăsând butonul de oprire. (31)

Înainte de fiecare folosire: (32)

- 1 Verificați ca frâna de lanț să funcționeze corespunzător și ca aceasta să nu fie deteriorată.
- 2 Verificați ca protecția posterioară a mâinii drepte să nu fie deteriorată.
- 3 Verificați ca blocatorul accelerației să funcționeze corect și să nu fie deteriorat.
- 4 Verificați dacă butonul de oprire funcționează corect și dacă nu este deteriorat.
- 5 Verificați ca toate manetele să nu fie murdare de ulei.
- 6 Verificați ca sistemul de reducere a vibrațiilor să funcționeze și să nu fie deteriorat.
- 7 Verificați ca toba de eșapament să fie bine fixată și să nu fie deteriorată.
- 8 Verificați ca toate detaliile ferăstrăului cu motor să fie bine strânse și să nu fie deteriorate sau să lipsească.
- 9 Verificați ca captatorul lanțului să fie la locul lui și să nu fie deteriorat.

10 Verificați dacă lanțul este tensionat corect.

Instrucțiuni generale de lucru

IMPORTANT!

Acest capitol tratează reguli de bază de siguranță pentru lucrul cu ferăstrăul cu motor. Informația dată nu poate niciodată înlocui acele cunoștințe pe care un meseriaș le acumulează prin studiu și experiență practică. Atunci când vă aflați în fața unei situații în care nu sunteți sigur de modul de continuare a folosirii, trebuie să consultați un specialist. Adresați-vă magazinului de vânzare, atelierului de service sau unui utilizator cu experiență al ferăstrăului cu motor. Evitați orice folosire pentru care vă simțiți insuficient calificat!

Înainte de folosirea ferăstrăului cu motor trebuie să înțelegeți ce este reculul și cum se poate evita. A se vedea instrucțiunile de la paragraful Măsurile de prevenire a reculului.

Înainte de folosirea ferăstrăului cu motor trebuie să înțelegeți diferența dintre tăierea cu partea superioară și cea inferioară a lamei. Vezi instrucțiunile din capitolele Cum să evitați reculul și Echipamentele de siguranță ale aparatului.

Purtați echipament individual de protecție. A se vedea instrucțiunile de la paragraful Echipamentul individual de protecție.

Reguli de bază de siguranță

- 1 Priviți în jurul Dvs.:
 - Pentru a vă asigura că nu se află persoane, animale sau obiecte care vă pot influența controlul asupra mașinii.
 - Pentru a vă asigura că nici una dintre cele menționate mai sus nu pot să vină în contact cu lama sau nu pot fi lovite de arborele în cădere.
- ATENȚIE! Urmăriți instrucțiunile de mai sus, dar nu folosiți niciodată ferăstrăul cu motor într-o situație în care nu puteți chema ajutor în cazul unui accident.
- 2 Evitați folosirea în vreme proastă. Ca de exemplu ceață deasă, ploaie puternică, vânt tare, frig excesiv, etc. A lucra în vreme friguroasă este obositor, și produce situații periculoase, cum ar fi teren alunecos, imposibilitatea prevederii direcției de cădere, etc.
 - 3 Fiți foarte atenți la tăierea crengilor subțiri, și evitați tăierea tușurilor (= multe crengi subțiri în același timp). Crengi subțiri se pot agăța de lanț după tăiere și pot fi aruncate înspre Dvs., cauzând răni.
 - 4 Asigurați-vă că puteți înainta și sta în mod sigur. Controlați dacă sunt eventuale obstacole în cazul unei deplasări neașteptate (rădăcini, pietre, crengi, gropi, șanțuri, etc). Lucrați cu atenție mărită pe teren înclinat.
 - 5 Fiți foarte atenți la tăierea copacilor care sunt tensionați. Un copac tensionat se poate arcuri atât în timpul tăierii cât și după tăiere, revenind în poziția normală. Dacă vă plasați greșit sau plasați tăietura inițială într-un mod necorespunzător, arborele poate să vă lovească sau să lovească mașina, ceea ce duce la pierderea controlului. Ambele situații pot duce la răni grave.
 - 6 În caz de deplasare trebuie ca lanțul de ferăstrău să fie blocat cu frâna de lanț iar motorul trebuie închis. Țineți ferăstrăul cu motor de mânerul anterior cu lama de ghidaj și lanțul spre spate. În cazul unor deplasări mai lungi cât și în cazul transportului.
 - 7 Atunci când așezați motofierăstrăul pe pământ, blocați lanțul cu frâna lanțului și nu scăpați aparatul din vedere. Oprii

motorul înainte de a părăsi motofierăstrăul pentru perioade oricât de scurte.



AVERTISMENT! Uneori așchile rămân blocate în capacul ambreiajului provocând blocarea lanțului. Oprțiți întotdeauna motorul înainte de curățare.

Reguli generale

- 1 Dacă înțelegeți ce este reculul și cum apare, puteți să reduceți sau să eliminați elementul de surpriză. Reduceți riscurile prin a fi pregătit. Reculul este de obicei destul de ușor, dar câteodată poate să fie foarte rapid și violent.
- 2 Țineți întotdeauna ferăstrăul cu motor hotărât, cu mâna dreaptă pe mânerul anterior și cu mâna stângă pe mânerul posterior. Apucați mânerul cu degetele în jurul lor. Folosiți această apucătură indiferent dacă sunteți dreptaci sau stângaci. Această prindere reduce la minim efectele unui recul, și face posibil să mențineți controlul asupra ferăstrăului cu motor. **Nu dați drumul la mâner!**
- 3 Cele mai multe accidente de recul se întâmplă la tăiat crengi. Asigurați-vă de o poziție stabilă și că nimic nu vă este în cale care poate să cauzeze împiedicarea sau pierderea echilibrului. Lipsa concentrației poate să ducă la recul dacă zona de risc de recul a lamei de ghidaj atinge neintenționat o ramură, un copac în apropiere sau un alt obiect.
Controlați piesa prelucrată. În cazul în care piesele pe care doriți să le tăiați sunt mici și ușoare, acestea se pot bloca în lanț și pot fi proiectate spre dumneavoastră. Chiar dacă acest lucru nu prezintă neapărat un pericol, vă poate surprinde și puteți pierde controlul motofierăstrăului. Niciodată nu tăiați bușteni și ramuri suprapuse fără a le separa în prealabil. Tăiați un singur buștean sau o singură piesă la un moment dat. Îndepărtați piesele tăiate pentru a menține siguranța locului de muncă.
- 4 **Nu folosiți niciodată ferăstrăul cu motor mai sus de nivelul umerilor, și evitați să tăiați cu vârful lamei. Nu folosiți niciodată ferăstrăul cu motor cu o singură mână!** (33)
- 5 Pentru a avea control maxim asupra ferăstrăului dumneavoastră cu motor trebuie să aveți o poziție stabilă. Nu lucrați niciodată în picioare pe o scară, risc de într-un copac sau atunci când nu aveți o bază solidă pe care să stați. (34)
- 6 Folosiți întotdeauna o viteză mare de lanț la tăiere, adică accelerație maximă.
- 7 Procedați cu mare precauție când tăiați cu partea superioară a lamei, adică atunci când tăiați de jos în sus. Aceasta se numește tăiere în direcție de împingere. Lanțul de ferăstrău încearcă să împingă ferăstrăul cu motor înapoi, spre operator. În cazul blocării lanțului este posibil ca motofierăstrăul să fie aruncat înapoi, spre dumneavoastră.
- 8 Dacă operatorul nu se opune forței de împingere a ferăstrăului cu motor, există riscul ca ferăstrăul cu motor se va deplasa așa de mult înapoi, încât zona de risc de recul este singura care vine în contact cu lemnul, ceea ce duce la recul. (35)

Tăiere cu partea inferioară a lamei, adică de sus în jos, se numește tăiere în direcție de tragere. În acest caz ferăstrăul cu motor se trage spre copac, și partea anterioară a corpului ferăstrăului cu motor constituie un punct de sprijin natural spre trunchi. Tăierea în direcție de tragere vă permite un

control mai bun asupra ferăstrăului cu motor și asupra poziției zonei de risc de recul.

- 9 Urmăriți instrucțiunile privind ascuțirea și întreținerea lamei și a lanțului. La schimbarea lamei și a lanțului folosiți numai combinații recomandate de noi. A se vedea instrucțiunile de la paragrafele Mecanismul de tăiere și Date tehnice.

Tehnica de bază de tăiere



AVERTISMENT! Niciodată nu folosiți motofierăstrăul ținându-l cu o singură mână. Motofierăstrăul nu poate fi controlat în siguranță cu o singură mână. Mențineți permanent o priză fermă asupra mânerelor, cu ambele mâini.

Generalități

- Tăiați întotdeauna cu accelerație la maximum!
 - Reduceți accelerația la turație de mers în gol după fiecare tăietură (accelerație maximă timp mai îndelungat fără vreo încărcare a motorului, cu alte cuvinte fără opoziția pe care motorul o primește în timpul tăierii, poate duce la avarii serioase ale mot)
 - Tăiere de sus în jos = Tăiere în direcție de "tragere".
 - Tăiere de jos în sus = Tăiere în direcție de "împingere".
- Tăierea în direcție de "împingere" mărește riscul reculului. A se vedea instrucțiunile de la paragraful Măsurile de prevenire a reculului.

Termeni folosiți

Tăiere = Termen general pentru secționarea prin lemn.

Curățire = Tăierea crengilor de pe un arbore doborât.

Despicare = Când obiectul tăierii se rupe înainte de terminarea tăieturii.

Cinci factori importanți trebuie luați în considerare înainte de tăiere:

- 1 Asigurați-vă că dispozitivul de tăiere nu se înțepenește în tăietură.
- 2 Asigurați-vă că trunchiul nu se va despică.
- 3 Asigurați-vă că lanțul de ferăstrău nu atinge terenul sau vreun obiect în timpul tăierii sau după aceasta.
- 4 Există vreun risc de recul?
- 5 Afectează condițiile și terenul inconjurător modul în care puteți înainta și sta?

Doi factori decid dacă lanțul se va înțepeni sau dacă trunchiul se va despică: Modul de sprijinire al trunchiului înainte și după tăiere cât și dacă obiectul ce trebuie tăiat este supus unei tensiuni.

În cele mai multe cazuri aceste probleme pot fi evitate prin tăiere în două momente, dinspre partea superioară și dinspre partea inferioară a trunchiului. Trebuie neutralizată "tendința" obiectului de tăiat de a bloca lanțul și de a se despică.

IMPORTANT! Dacă lanțul s-a înțepenit în tăietură: oprțiți motorul! Nu încercați să trageți afară ferăstrăul cu motor. Dacă încercați, puteți să stricați lanțul când ferăstrăul cu motor brusc se eliberează. Folosiți o părghie pentru a elibera ferăstrăul cu motor.

Instrucțiunile de mai jos arată cum să procedați în majoritatea situațiilor în care puteți să ajungeți folosind un ferăstrău cu motor.

Curățirea de crengi

La tăierea crengilor groase folosiți același procedeu ca și pentru secționare.

Crengi de formă mai complicată se vor tăia bucată cu bucată.

Tăiere



AVERTISMENT! Niciodată nu încercați să tăiați bușteni suprapuși sau apropiați unul de altul. Acest tip de procedură mărește foarte mult riscul de recul, care poate duce la vătămări grave sau mortale.

Dacă aveți o stivă de bușteni, fiecare buștean de tăiat trebuie coss din stivă, așezat pe capră sau cadru și tăiat separat.

Îndepărtați piesele tăiate de locul de muncă. Lăsarea acestora în zona de muncă mărește riscul de recul datorat unei greșeli, precum și riscul dezechilibrării în timpul lucrului.

Trunchiul este culcat pe teren. Nu există risc de înțepenire a lanțului sau de despăcare a trunchiului. Există în schimb un risc mare ca lanțul de ferăstrău să atingă terenul la terminarea tăieturii.

Secționați trunchiul în întregime de sus în jos. Încercați să nu atingeți terenul la terminarea tăieturii. Mențineți accelerația maximă dar fiți pregătit pentru situațiile ce pot apărea. (36)

Dacă este posibil (= se poate roti trunchiul?), opriți tăietura după ce ați pătruns 2/3 în trunchi.

Întoarceți trunchiul și terminați tăierea restului de 1/3 dinspre partea superioară.

Trunchiul se sprijină pe unul dintre capete. Riscul de despăcare este mare.

Începeți cu o tăietură de jos în sus (cca. 1/3 din diametrul trunchiului).

Terminați cu o tăietură de sus în jos, în așa fel încât cele două tăieturi să se întâlnească.

Trunchiul se sprijină pe ambele capete. Există un risc mare ca lanțul ferăstrăului cu motor să se înțepenească.

Începeți cu o tăietură din sus (cca. 1/3 a diametrului bușteanului).

Terminați cu o tăietură din jos, așa ca cele două tăieturi să se întâlnească.

Tehnica de doborâre a arborilor

IMPORTANT! Se cere destul de multă experiență pentru doborârea unui arbore. Operatori de ferăstrău cu motor fără experiență să nu doboare arbori. Evitați orice folosire pentru care nu vă considerați suficient calificați!

Distanță de siguranță

Distanța de siguranță între un arbore care se va doborî și locul de muncă din apropiere trebuie să fie de cel puțin 2 1/2 ori înălțimea arborelui. Verificați că nimeni nu se află în interiorul acestei "zone de risc" înaintea și în timpul doborîrii. (37)

Direcția de doborâre

Scopul este ca arborele să fie doborât în așa fel încât curățirea de crengi și secționarea ulterioară a trunchiului să poată fi făcute pe un teren cât mai "convenabil". Trebuie să puteți merge și sta în siguranță.

După ce v-ați hotărât în ce direcție ați dori ca arborele să cadă, trebuie să judecați în ce direcție ar cădea arborele în mod natural.

Aceasta este determinată de mai mulți factori:

- Înclinarea arborelui
- Curbura

- Direcția vântului
- Concentrația crengilor
- Greutatea eventuală a zăpezii
- Obstacolele ce pot fi atinse de arbore: de exemplu: alți copaci, linii electrice, șosele și clădiri.
- Examinați trunchiul pentru a vedea dacă este slăbit sau putrezit, acestea favorizează ruperea și căderea premature ale arborelui.

Poate că ajungeți la concluzia că sunteți nevoiți să lăsați arborele să cadă în direcția naturală, pentru că este imposibil sau periculos să-l doborâți în direcția dorită inițial.

Un alt factor important, care nu influențează direcția de cădere, dar influențează siguranța Dvs. personală, este să vă asigurați că arborele nu are crengi avariate sau "moarte" care pot să se rupă și să vă lovească în timpul doborârii.

Ceea ce trebuie evitat în primul rând este ca arborele să nu cadă asupra unui alt arbore. A da jos un arbore blocat este foarte periculos și există un risc mare de accidente. A se vedea instrucțiunile de la paragraful Manipularea arborelui care a căzut greșit.

IMPORTANT! În timpul momentelor critice la doborâre a copacilor, este bine să ridicați puțin dispozitivul de protecție a auzului imediat după ce tăierea este terminată pentru ca sunete și comenzi de prevenire să poată fi observate.

Curățirea trunchiului și pregătirea drumului de retragere

Curățați trunchiul de crengi până la nivelul umerilor. Pentru mai multă siguranță lucrați de sus în jos, păstrând trunchiul între dumneavoastră și motofierăstrău.

Tăiați vegetația în jurul bazei arborelui și controlați locul în privința obstacolelor (pietre, crengi, gropi, etc.), ca să aveți drum liber de retragere când arborele începe să cadă. Drumul de retragere trebuie să fie la cca. 135° în direcția opusă direc (38)

- 1 Zonă de risc
- 2 Cale de retragere
- 3 Direcția de doborâre

Doborâre



AVERTISMENT! Nu recomandăm utilizatorilor care nu sunt suficient calificați să doboare copaci cu o lamă de lungime mai scurtă decât diametrul trunchiului!

Doborârea se face prin trei tăieturi. Mai întâi executați o tăietură de direcție constituită dintr-o tăietură superioară și una de inferioară, apoi se finalizează doborârea printr-o tăietură de doborâre. Printr-o plasare corectă a acestor tăieturi se poate

Tăietura de direcție

Printru executarea tăieturii de direcție începeți cu tăietura superioară. Stați în partea dreaptă a arborelui și faceți tăietura în unghi de sus în jos.

Continuați cu tăietura de inferioară în așa fel încât aceasta să întâlnească tăietura superioară. (39)

Adâncimea tăieturii de direcție trebuie să fie 1/4 din diametrul trunchiului, iar unghiul dintre tăietura superioară și cea de bază să fie de 45°.

Linia de întâlnire dintre cele două tăieturi se numește linia tăieturii de direcție. Această linie trebuie să fie perfect orizontală și la unghi drept (90°) față de direcția de doborâre aleasă. (40)

Tăietura de doborâre

Tăietura de doborâre se face din partea opusă a arborelui și trebuie să fie perfect orizontală. Stați pe partea stângă a arborelui și executați tăietura cu partea inferioară a lamei.

Plasați tăietura de doborâre la cca 3-5 cm (1,5-2 țoli) deasupra planului orizontal al tăieturii de direcție.

Plasați ghearele de sprijin (dacă sunt montate) în spatele fășiei de rupere. Folosiți accelerație maximă și pătrundeți încet cu lanțul de ferăstrău/lama în lemn. Asigurați-vă că arborele nu începe să se miște în direcția opusă celei plănuite. Introduceți o pană sau o părghie basculantă în tăietură imediat când aceasta are o adâncime suficientă. (41)

Terminați tăietura de doborâre paralel cu linia tăieturii în așa fel încât distanța dintre ele să fie cel puțin 1/10 din diametrul trunchiului. Secțiunea netăiată a trunchiului se numește fășia de rupere.

Fășia de rupere funcționează ca o balama care controlează direcția de cădere a arborelui în timpul doborârii. (42)

Tot controlul asupra direcției de cădere se pierde, dacă fășia de rupere este prea îngustă, sau dacă poziția tăieturii de direcție sau a tăieturii de doborâre este greșită.

Când tăietura de tăiere și tăietura de direcție sunt complete, arborele trebuie să cadă datorită propriei greutate și cu ajutorul unei pane de doborâre sau unei părgii basculante.

Vă recomandăm să utilizați șine cu lungimea mai mare decât diametrul trunchiului, astfel încât să puteți efectua tăieturile de doborâre și direcționale din "câte o mișcare". Pentru a afla lungimile de șină recomandate pentru motoferăstrăul dumneavoastră, vezi instrucțiunile din secțiunea Date tehnice.

Există metode și pentru doborârea arborilor cu un diametru mai mare decât lungimea lamei. Aceste metode însă implică un risc sporit ca zona de risc de recul a lamei să vină în contact cu lemnul.

Manipularea arborelui care a căzut greșit

Eliberarea unui arbore "blocat"

A da jos un arbore blocat este foarte periculos și există un risc mare de accidente.

Nu încercați niciodată să tăiați un arbore pe care a căzut un altul. Niciodată nu lucrați în zona periclitată de un arbore care atarnă și este prins.

Metoda cea mai sigură este folosirea unui troliu.

- Montat pe un tractor
- Portabil

Tăierea arborilor și a crengilor aflate sub tensiune

Pregătiri: Calculați în ce direcție s-ar mișca arborele sau creanga dacă s-ar elibera, și unde ar fi punctul de rupere (adică locul unde s-ar rupe dacă ar fi supusă la și mai multă tensiune).

Decideți care este soluția cea mai sigură de-a micșora tensiunea, și dacă sunteți capabil de a face operația în mod sigur. În situații complicate singura metodă sigură este de a renunța la folosirea ferăstrăului cu motor și de a folosi un troliu.

Este valabil general:

Luați o poziție în care nu puteți fi lovit de arbore sau creangă în caz că aceasta s-ar elibera.

Executați o tăietură sau mai multe pe punctul de rupere sau în apropierea acestuia. Tăiați atât de adânc și faceți atât de multe tăieturi încât tensiunea să se reducă suficient încât arborele/creanga să "se rupă" în punctul de rupere.

Nu secționați niciodată un arbore sau o creangă peste întreaga sa grosime dacă acestea se află sub tensiune!

Atunci când trebuie să tăiați un arbore sau o ramură, faceți două sau trei tăieturi la distanțe de 3 cm, cu adâncimea cuprinsă între 3 și 5 centimetri.

Continuați să tăiați până când arborele sau ramura se îndoaie și tensiunea este eliberată.

Tăiați arborele/ramura din partea opusă, după ce dispare tensiunea.

Măsurile de prevenire a reculului



AVERTISMENT! Reculul poate să se manifeste foarte rapid și violent și să arunce ferăstrăul cu motor, lama de ghidaj și lanțul spre operator. Dacă lanțul este în mișcare atunci când acesta îl atinge pe utilizator, poate să ducă la leziuni serioase, chiar și mortale. Este foarte important să înțelegeți cauzele reculului, și că acesta poate fi evitat prin precauție și folosirea unei tehnici de lucru corecte.

Ce este reculul?

Recul este o noțiune ce descrie reacția rapidă care se manifestă atunci când ferăstrăul cu motor și lama sunt aruncate de pe un obiect ce a ajuns în contact cu sectorul superior al vârfului lamei de ghidaj, sector denumit zonă de risc de recul. (43)

Recul se produce întotdeauna în planul de tăiere al lamei de ghidaj. De obicei ferăstrăul cu motor și lama de ghidaj sunt aruncate în sus și înapoi înspre operator. Pot apărea și alte direcții de mișcare în funcție de poziția pe care o are ferăstrăul cu motor în momentul când zona de risc de recul a lamei a atins un obiect.

Reculul apare numai în cazul în care zona de risc de recul a lamei atinge vreun obiect. (44)

Curățirea de crengi



AVERTISMENT! Majoritatea accidentelor provocate de recul se produc în timpul curățării trunchiului de crengi. Nu utilizați zona de recul a șinei. Lucrați cu atenție și evitați să atingeți cu vârful șinei bușteanul, alte crengi sau obiecte. Lucrați cu atenție asupra ramurilor încordate. Acestea vă pot lovi, puteți pierde controlul, ceea ce poate duce la vătămări.

Asigurați-vă că puteți înainta în siguranță și că aveți o poziție stabilă! Lucrați pe partea stângă a trunchiului. Țineți ferăstrăul cu motor aproape de corp, pentru a avea un control maxim. Dacă este posibil, lăsați greutatea ferăstrăului cu motor să se

Țineți trunchiul între Dvs. și ferăstrăul cu motor în timp ce vă mișcați de-a lungul trunchiului.

Secționarea trunchiului în bușteni

A se vedea instrucțiunile de la paragraful Tehnica de bază de tăiere.

Generalități

Utilizatorul poate efectua doar acele lucrări de întreținere și service care sunt descrise în acest manual de utilizare. Intervenții mai cuprinzătoare trebuie efectuate de un atelier de service autorizat.

Reglarea carburatorului

Produsul dumneavoastră Jonsered a fost proiectat și construit conform specificațiilor de reducere a gazelor toxice.

Funcționare

- Prin reglajul accelerației carburatorul determină turația motorului. În carburator se amestecă aerul cu combustibil. Amestecul aer-combustibil este ajustabil. Pentru a obține efectul maxim al mașinii, această ajustare trebuie să fie corectă.
- Șurubul T reglează turația de mers în gol. Dacă șurubul T se înșurubează, turația de mers în gol crește, iar deșurubarea lui micșorează turația.

Ajustarea de bază și rodajul

Cu ocazia probelor în fabrică carburatorul este ajustat la valori de bază. Reglarea fină trebuie efectuată de către un tehnician calificat.

Turația de mers în gol recomandată: A se vedea capitolul Date tehnice.

Ajustarea fină a turației de mers în gol T

Ajustați turația de mers în gol cu șurubul T. Dacă o ajustare este necesară, rotiți întâi șurubul T în sens orar, până ce lanțul începe să se rotească. Rotiți șurubul după aceea în sens antiorar până ce lanțul se oprește. Turația de mers în gol este corect ajustată dacă motorul merge uniform în orice poziție și cu o rezervă suficientă până la acea turație la care lanțul începe să se rotească.



AVERTISMENT! Luați legătura cu atelierul de reparații dacă turația de mers în gol nu poate fi ajustat la o valoare la care lanțul să se oprească. Nu folosiți ferăstrăul cu motor înainte de a fi ajustat sau reparat corespunzător.

Verificarea, întreținerea, și serviciul echipamentului de siguranță al ferăstrăului cu motor

Notați! Toate lucrările de service și reparații ale aparatului necesită cursuri de calificare speciale. Acest lucru este valabil în mod special în cazul echipamentelor de siguranță ale aparatului. În cazul în care aparatul nu trece oricare din testele descrise mai jos, vă recomandăm să-l duceți la un atelier de service. Orice întreținere care nu este descrisă în acest manual trebuie făcută de atelierul de specialitate (magazinul de vânzare).

Înainte de a efectua lucrări de reparații, opriți motorul și decuplați cablul de alimentare a aprinderii.

Frâna de lanț cu maneta de frână

Verificarea uzurii benzii de frână

Curățați frâna de lanț și tamburul de frână de rumeguș, rășină și murdărie. Murdăria și uzura influențează efectul de frânare. (45)
Controlați cu regularitate că banda de frână are o grosime de cel puțin 0,6 mm pe partea cea mai uzată.

Verificarea manetei de frână

Asigurați-vă că maneta de frână nu este deteriorată și că nu are defecte vizibile, de exemplu fisuri.

Deplasați maneta de frână înainte și înapoi pentru a vă asigura că se mișcă liber și că este stabil atașată de carcasa ambreiajului. (46)

Verificarea frânei automate

Opriți motorul și așezați motofierăstrăul pe un ciot sau pe o altă suprafață stabilă. Eliberați mânerul din față și lăsați motofierăstrăul să cadă spre ciot sub greutatea proprie, rotindu-se în jurul mânerului din spate.

Când vârful lamei de ghidaj atinge bușteanul, frâna trebuie să se declanșeze. (47)

Verificarea efectului frânei

Așezați ferăstrăul cu motor pe o suprafață stabilă și porniți-l. Asigurați-vă că lanțul nu atinge pământul sau vreun alt obiect. A se vedea indicațiile de la paragraful Pornire și oprire.

Țineți ferăstrăul cu motor în mod stabil cu degetele strânse în jurul mânerelor.

Accelerați la maximum și activați frâna lanțului prin răsucirea încheieturii mâinii stîngi spre maneta de frână. Nu dați drumul la mânerul anterior. **Lanțul trebuie să se oprească imediat.**

Clichetul de blocare a butonului de accelerație

- Asigurați-vă că butonul de accelerație este blocat în poziție de mers în gol atunci când clichetul de blocare a accelerației este în poziția sa inițială.
- Apăsați clichetul de blocare a accelerației și verificați că acesta revine în poziția sa inițială atunci când este eliberat.
- Verificați că butonul de accelerație și clichetul de blocare a accelerației se mișcă liber, iar arcurile de revenire funcționează.
- Porniți ferăstrăul cu motor și dați accelerație maximă. Dați drumul la butonul de accelerație și verificați dacă lanțul se oprește și rămâne nemișcat. Dacă lanțul se rotește cu butonul de accelerație în poziția de mers în gol, atunci trebuie să verificați

Opritorul de lanț

Verificați că opritorul de lanț nu este deteriorat și că este stabil atașat de corpul frăstrăului cu motor.

Apărătorul de mâna dreaptă

Verificați că apărătorul de mâna dreaptă nu este deteriorat și că nu sunt defecte vizibile, de exemplu fisuri în material.

Sistemul de amortizare a vibrațiilor

Verificați în mod regulat elementele de reducere a vibrațiilor în privința fisurilor și deformațiilor.

Asigurați-vă că elementele de reducere a vibrațiilor sunt bine atașate între unitatea motorului și mânăre.

Contactul de oprire

Porniți motorul și asigurați-vă că motorul se oprește atunci când contactul de oprire este deplasat în poziție de stop.

Toba de eșapament

Nu folosiți niciodată o mașină care are o tobă de eșapament defectă. Verificați periodic că toba de eșapament este stabil atașată de mașină.

Notați: Se pot efectua lucrări de service asupra apărătorii parascânteii (A) de pe această mașină. **(48)** Plasa trebuie schimbată dacă s-a deteriorat. Mașina se supraîncălzește dacă plasa este înfundată iar aceasta duce la avarii ale cilindrului și ale pistonului. Nu folosiți niciodată o mașină cu tobă de eșapament în stare proastă. **Nu folosiți niciodată o tobă de eșapament dacă plasa de capturare a scînteielor lipsește sau este defectă.**

În condiții de utilizare casnică, amortizorul și apărătoarea parascânteii nu necesită înlocuire.

Filtrul de aer

Filtrul de aer trebuie curățat regulat de praf și impurități pentru a evita:

- Funcționarea defectuoasă a carburatorului
- Probleme la pornire
- Putere redusă
- Uzuri inutile ale componentelor motorului
- Consum exagerat de combustibil.
- Scoateți filtrul de aer (3) după ce ați demontat capacul cilindrului, șurubul (1) și capacul filtrului (2). La remontare, asigurați-vă că filtrul de aer este fixat etanș în suport. Curățați filtrul cu o perie sau prin scuturare. **(49)**

O curățare mai minuțioasă a filtrului de aer se face prin spălarea filtrului de aer cu apă și săpun.

Un filtru de aer folosit un timp îndelungat nu se poate curăța perfect. De aceea este necesară schimbarea lui la intervale regulate cu unul nou. **Un filtru de aer deteriorat trebuie întotdeauna schimbat.**

Bujia

Starea bujiei este influențată de:

- O ajustare incorectă a carburatorului.
- Un amestec greșit de ulei în combustibil (prea mult sau ulei nepotrivit).
- Un filtru de aer murdar.

Acești factori cauzează depuneri pe electrozii bujiei având ca rezultat o funcționare defectuoasă și dificultăți de pornire.

Dacă mașina are putere mică, este greu de pornit sau are o funcționare neregulată la mersul în gol: verificați întâi bujia înainte de a lua alte măsuri. Dacă bujia este înfundată, curățați-o și controlați ca distanța dintre electrozi să fie de 0,5 mm. Bujia se va schimba după aproximativ o lună de exploatare, sau și mai repede, dacă este necesar **(50)**.

Notați! Folosiți întotdeauna bujii de tipul recomandat! O bujie incorectă poate să distrugă pistonul și cilindrul. Aveți grijă ca bujia să aibe așa numită protecție la unde radio.

ÎNȚEȚINERE

Planificarea întreținerii

Mai jos urmează o listă ce cuprinde întreținerea ce trebuie efectuată pe mașină. Marea majoritate a punctelor sunt descrise în capitolul Întreținere.

Întreținere zilnică (la fiecare 5-10 h.)	Întreținere săptămânală (la fiecare 10-25 h.)	Întreținere lunară (la fiecare 25-40 h.)
Curățați mașina în exterior.	Controlați demarorul, șnurul lui și arcul de rapel.	Verificați uzura curelei frânei lanțului. Înlocuiți-o atunci când în locul de uzură maximă are mai puțin de 0,6 mm.
Controlați că părțile componente ale reglajului accelerației funcționează corect din punct de vedere al securității. (Clichetului de blocare a accelerației și reglajul accelerației.)	Controlați ca elementele amortizoare de vibrații să nu fie deteriorate.	Controlați uzura saboților, a tamburului și a arcurilor ambreiajului.
Curățați frâna de lanț și verificați funcționarea acesteia conform instrucțiunilor. Asigurați-vă că opritorul de lanț nu este deteriorat, în caz contrar schimbați-l imediat.	Piliți eventualele bavuri de pe laturile lamei de ghidaj.	Curățați bujia. Controlați ca distanța dintre electrozi să fie 0,5 mm.
Lama de ghidaj trebuie întoarsă zilnic pentru a obține o uzură mai uniformă. Controlați ca orificiul de ungere de pe lamă să nu fie înfundat. Curățați canelura lamei. Dacă lama este prevăzută cu pinion de vârf, atunci acesta se va unge.	Curățați blocul carburatorului și spațiul în jurul lui.	Curățați exteriorul carburatorului.
Verificați funcționarea corespunzătoare a lubrifierii lamei și a lanțului.	Curățați filtrul de aer. Schimbați-l dacă este necesar.	Verificați filtrul de combustibil și furtunul combustibilului. Schimbați-le dacă este necesar.
Verificați lanțul: acesta nu trebuie să prezinte crăpături vizibile ale niturilor și zalelor, lanțul nu trebuie să fie rigid, niturile și zalele nu trebuie să fie foarte uzate. În caz de nevoie înlocuiți.		Goliți rezervorul de carburant și curățați interiorul.
Ascuțiți lanțul și verificați tensiunea și starea acestuia. Controlați uzura roții de lanț, schimbați-o dacă este necesar.		Goliți rezervorul de ulei și curățați interiorul.
Curățați priza de aer a demarorului.		Controlați toate cablurile și conexiunile electrice.
Verificați ca șuruburile și piulițele să fie strânse.		
Controlați că contactul de oprire funcționează.		
Controlați ca să nu existe scurgeri de combustibil de la motor, rezervor sau tuburile de combustibil.		

Date tehnice

	CS 2234	CS 2238
Motor		
Volumul cilindrului, cm ³	38	38
Cursă, mm	32	32
Turație la mers în gol, rpm	3000	3000
Putere, kW	1,4/9000	1,5/9000
Sistem de aprindere		
Bujia	Champion RCJ 7Y	Champion RCJ 7Y
Distanța între electrozi, mm	0,5	0,5
Sistemul de alimentare și ungere		
Volumul rezervorului de combustibil, litri	0,3	0,3
Debitul pompei de ulei la 8500 rpm, ml/min	7	7
Volumul rezervorului de ulei, litri	0,19	0,19
Tip de pompă de ulei	Automată	Automată
Greutate		
Ferăstrău cu motor fără lamă de ghidaj și lanț, cât și cu rezervoare goale, kg	4,7	4,7
Producere de zgomot (vezi nota 1)		
Nivelul efectului sonor, măsurat dB(A)	115	115
Nivelul efectului sonor, garantat L _{WA} dB(A)	118	118
Nivele de zgomot (vezi nota 2)		
Nivelul echivalent al presiunii sonore la urechea operatorului, dB(A)	100,6	100,6
Nivele de vibrații echivalente, a_{hveq} (consultați nota 3)		
Mânerul anterior, m/s ²	3,7	3,7
Mânerul posterior, m/s ²	5,1	5,1
Lanț/lamă de ghidaj		
Lungimea normală a lamei de ghidaj, țoli/cm	14/35, 16/40	14/35, 16/40
Lungimi recomandate de lamă de ghidaj, țoli/cm	14/35, 16/40	14/35, 16/40
Lungime utilă de tăiere, țoli/cm	13,5/34, 15,5/39	13,5/34, 15,5/39
Pasul lanțului, țoli/mm	3/8 / 9,52	3/8 / 9,52
Grosimea zalelor de antrenare, țoli/mm	0,050/1,3	0,050/1,3
Tipul roții de antrenare/numărul dinților	6	6
Viteza lanțului la puterea maximă, m/s	17,1	17,1

Nota 1: Producere de zgomot în mediul înconjurător măsurat ca și efect sonor (L_{WA}) conform directivei EG 2000/14/EG.


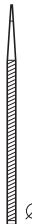
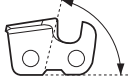
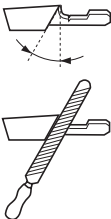

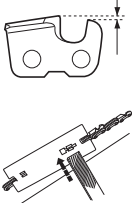
Nota 2: Nivelul echivalent de presiune a zgomotului, conform ISO 22868, este calculat ca și totalul energiei măsurate în timpul unei ore pentru diferite nivele de presiune a zgomotului în diferite condiții de lucru. Dispersia statistică tipică pentru nivelul echivalent de presiune a zgomotului este reprezentată printr-o deviere standard de 1 dB (A).

Nota 3: Nivelul echivalent de vibrații, conform ISO 22867, este calculat ca și totalul de energie măsurat în timpul unei ore pentru nivelurile de vibrații în diferite condiții de lucru. Datele raportate pentru nivelul echivalent de vibrații includ o dispersie statistică tipică (deviere standard) de 1 m/s².

Combinatii de lame de ghidaj și lanțuri

Următoarele accesorii de tăiere sunt aprobate pentru modelele Jonsered CS 2234 și CS 2238.

Lama de ghidaj				Lanțul de ferăstrău	
Lungime, țoli	Pasul lanțului, țoli	Lățimea canalului, mm	Max. numărul dinților roții de la vârful șinei	Tip	Lungime, zale de antrenare (număr)
14	3/8	1,3	7T	Jonsered H37	52
16	3/8		7T		56
18	3/8		7T		62

					
	inch/mm				inch/mm
H37	5/32/4,0	80°	30°	0°	0.025/0,65

Declarație de conformitate EC

(Valabil doar în Europa)

Husqvarna AB, SE-561 82 Huskvarna, Suedia, telefon +46-36-146500, certifică faptul că ferăstraiele cu motor **Jonsered CS 2234 și CS 2238** cu numere de serie ulterioare anului 2009 (anul și seria sunt indicate clar pe etichetă), corespund următoarelor directive europene:

- din 17 mai 2006 „referitoare la aparat” **2006/42/EC**
- **2004/108/EEC** din 15 decembrie 2004, cu privire la compatibilitatea electromagnetica
- **2000/14/EC** din 8 mai 2000, cu privire la poluarea fonica a mediului înconjurător

Pentru informații referitoare la emisiile sonore, consultați capitolul Date tehnice. Au fost aplicate următoarele standarde: **EN ISO 12100-2:2003, CISPR 12:2001, EN ISO 11681-1:2004**

Organizația examinatoare: **0404 SMP Svensk Maskinprovning AB**, Fyrisborgsgatan 3, SE-754 50 Uppsala, Suedia, a efectuat controlul conform directivei mașinii 2006/42/EC articolul 12, punctul 3b. Certificatele de conformitate EC pentru amendamentul IX au numerele: **0404/09/2048**.

SMP Svensk Maskinprovning AB, Fyrisborgsgatan 3, SE-754 50 Uppsala, Suedia, certifică, de asemenea, că aceste produse corespund amendamentului V la directiva europeană 2000/14/EC din 8 mai 2000, cu privire la poluarea fonica a mediului înconjurător. Certificatele au numerele: **26/161/003** - CS 2234, **26/161/004** - CS 2238.

Ferăstrăul cu motor livrat este identic cu modelul supus controlului EC.

Huskvarna 29 decembrie 2009



Ronnie E. Goldman, Director tehnic (Reprezentant autorizat pentru Husqvarna AB și responsabil cu documentația tehnică).

Original instructions
Instrucciones originales
Bruksanvisning i original
Alkuperäiset ohjeet
Originale instruktioner
Originale instruksjoner
Istruzioni originali
Instruções originais
Αρχικές οδηγίες
Původní pokyny
Pôvodné pokyny
Izvirna navodila
Eredeti útmutatás
Instrukcja oryginalna
Originaaljuhend
Instrukcijas oriinvalod
Originalios instrukcijos
Originalne upute
Оригинални инструкции
Оригинальные инструкции
Instructions d'origine
Originalanweisungen
Originele instructies
Orijinal talimatlar
Instrucțiuni inițiale

1154232-26

2012-02-13