

VersaRac

Adjustable Overhead Storage Rack



Warning: Excessive weight hazard!

Use two or more people to move, assemble or install overhead rack to avoid back or other injury. Do not leave children unattended near overhead rack. High risk of injury if installed incorrectly: Follow instructions carefully and routinely inspect your system to ensure all components are fastened securely.

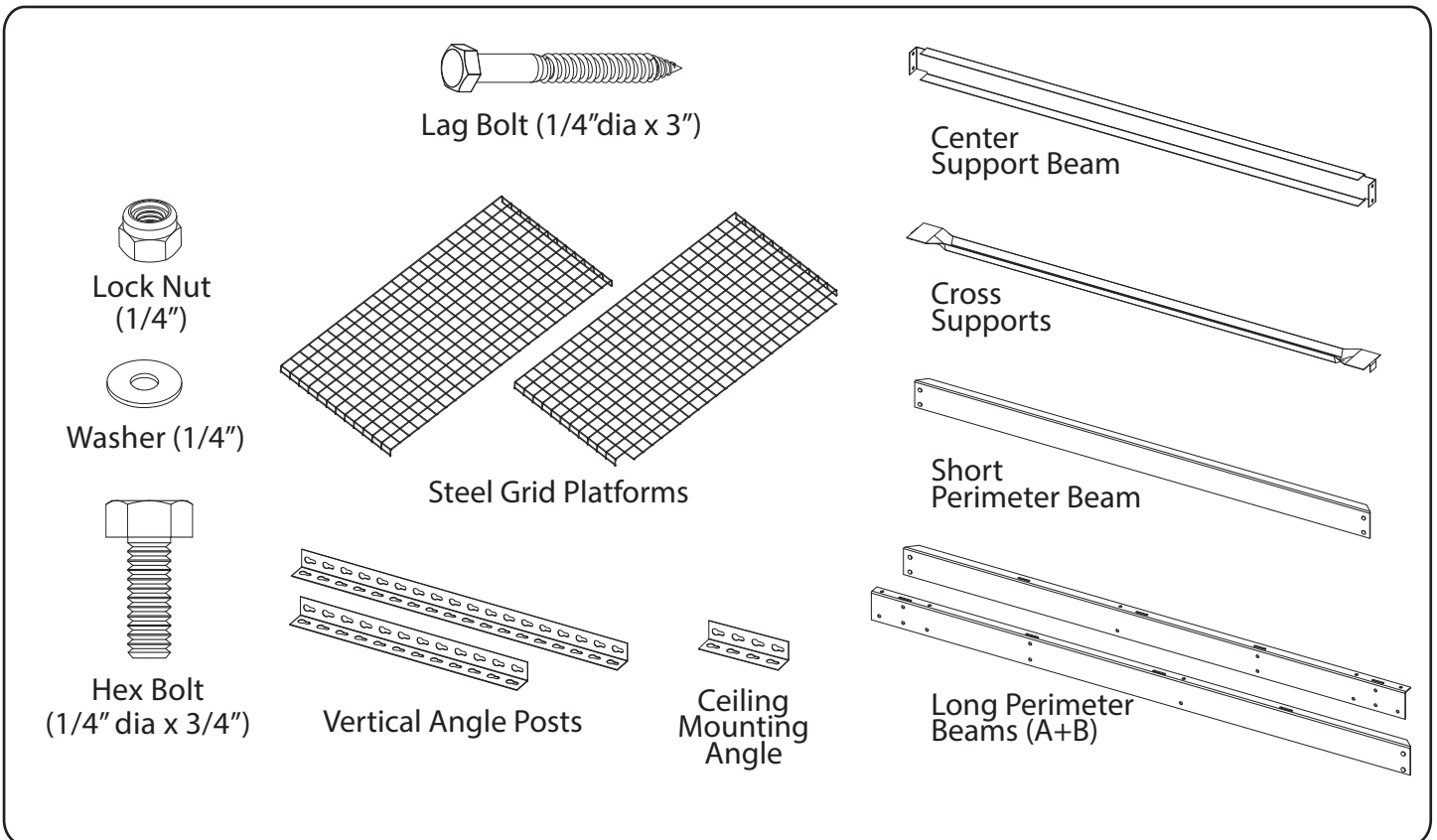
For assistance, call 1.877.306.8930; for UK 0800.031.4069; e-mail at info@newageproducts.com

Unpacking

- Begin by placing the package on a covered flat surface.
- Remove all cardboard, foam packaging material and clear plastic bags.
- Dispose / recycle all packaging materials.
- Verify all the contents in the box and gather the required tools. See "Parts" and "Tools Needed" in the list below.

Parts Supplied

Description	Quantity
1.5" x 1.5" x 6" Ceiling Mounting Angle	4
1.5" x 1.5" x 18" Vertical Angle Posts	4
1.5" x 1.5" x 27" Vertical Angle Posts	4
1" x 2.75" x 48" Short Perimeter Beam	2
1" x 2.75" x 51" Long Perimeter Beam A	2
1" x 2.75" x 51" Long Perimeter Beam B	2
47" Cross Supports	6
Center Support Beam	1
Steel Grid Platforms	2
Steel Grid Platforms with Notched Corners	2
Hardware Box	1
1/4" Diameter x 3/4" Long Bolts	24
1/4" Nylon Lock Nut	24
1/4" Diameter x 3" Long Lag Bolt	8
1/4" Washers	56

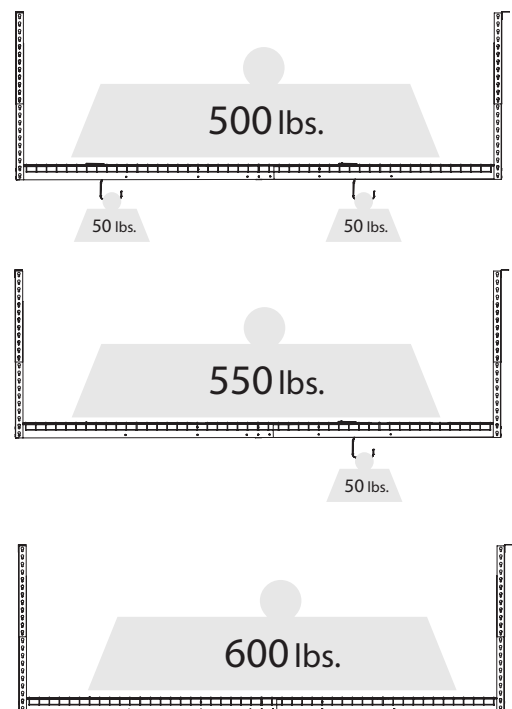


SAFETY WARNING

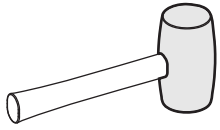
PLEASE READ THIS FIRST

1. All VersaRac units have a rated load capacity of 600 pounds, evenly distributed, using a minimum of 1.75" lag bolt anchored into solid wood joists or supports capable of supporting such a load.
2. Each VersaRac utility hook can hold a maximum of 50lbs, Weight of utility hook storage must be included in maximum load of 600lbs for the overhead rack.
3. Do not load more than 600lbs on to a VersaRac. Live loads (people, pets, etc) may weigh less than the rated weight capacity, however will exert force on the rack beyond its rated capacity. As such, do not stand, jump or hang from your VersaRac.
4. VersaRac units must be installed into structurally sound overhead joists or supports. NewAge Products Inc. makes no claim to the capacity or strength of the structure to which the units are mounted.
5. NewAge Products Inc. can not be held liable for structure failure, or damage or injury resulting from structure failure.
6. Always inspect the structure of the ceiling to ensure there is suitable supports. Never install more than one VersaRac unit on any two overhead supports.
7. **VersaRac is designed for installation into wooden ceiling joists. Do not attempt mounting to steel beams.**
8. **Ensure all weight is distributed evenly on the rack. Place heavier objects near the vertical angle posts, and lighter objects in the center.**
9. **Do not jump or climb on your VersaRac.**
11. **Routinely inspect your system to ensure all components are fastened securely.**

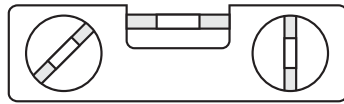
Weight Capacity



Tools Needed



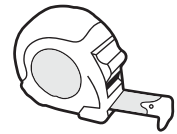
Rubber Mallet



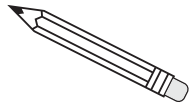
Magnetic Leveler



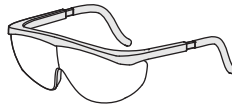
Stud Finder



Tape Measure



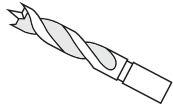
Pencil



Safety Glasses



7/16" socket



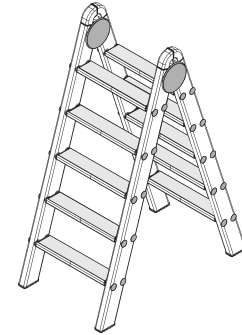
3/16" Drill Bit



7/16" Socket driver
wrench



Cordless Power Drill



Ladder

Manufacturer Warranty Limited Lifetime

When this product is installed, operated and maintained according to the instructions attached to or furnished with the product, NewAge Products Inc. will replace the defective product or parts if the part fails as a result of defective materials or workmanship for the Lifetime of the product.

NEWAGE PRODUCTS INC. WILL NOT PAY FOR:

1. Service calls to correct the installation of any NewAge products or to instruct you how to use or install them.
2. Damage resulting from improper handling, or products damaged by accident, misuse, abuse, fire, flood, improper installation, acts of God, neglect, corrosion, modification or mishandling.
3. Products damaged by improperly loading beyond the specified maximum weight capacity outlined in the instructions provided with the product.
4. Repairs or replacement when your product is used in other than normal, single-family household use, such as a commercial environment, or handled in anyway inconsistent with the installation instructions included with the product.
5. Cosmetic damage, including scratches, dings, dents or cracks in paint that do not affect the structural or functional capability of the product.
6. Surfaces damaged due to chemical interaction resulting in corrosion of paint or metal.
7. Replacement parts for NewAge products outside Canada and the United States.
8. Loss of product contents due to theft, fire, flood, accident or acts of God.
9. Shipping or freight fees to deliver replacement products or to return defective products.
10. Any labor costs during the limited warranty period.

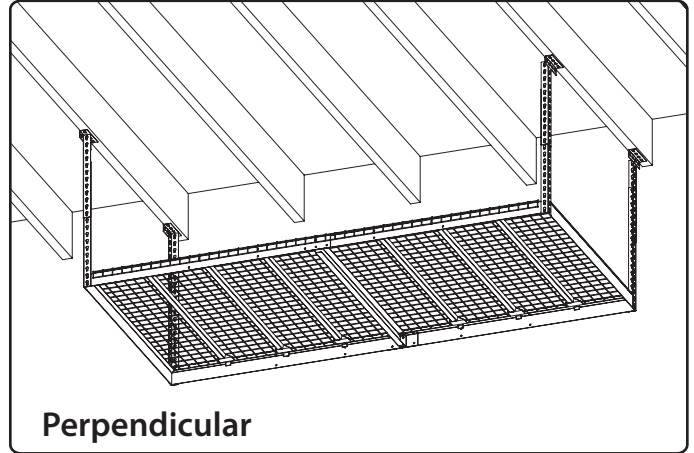
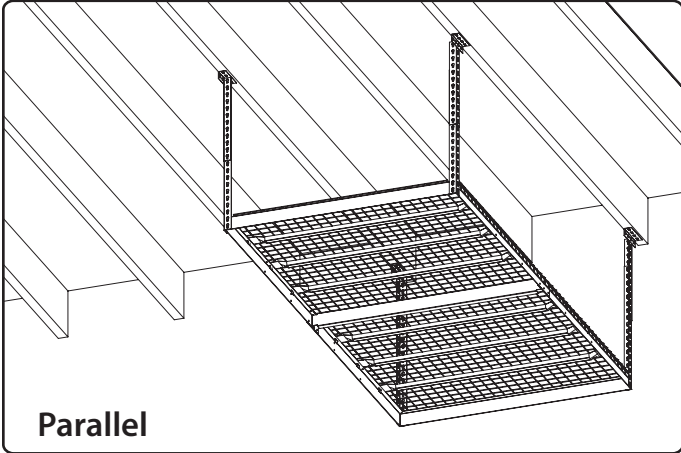
DISCLAIMER OF IMPLIED WARRANTIES; LIMITATION OF REMEDIES

IMPLIED WARRANTIES, INCLUDING TO THE EXTENT APPLICABLE WARRANTIES OF MERCHANTABILITY OR FITNESS FOR A PARTICULAR PURPOSE, ARE EXCLUDED TO THE EXTENT LEGALLY PERMISSIBLE. ANY IMPLIED WARRANTIES THAT MAY BE IMPOSED BY LAW ARE LIMITED TO ONE YEAR, OR THE SHORTEST PERIOD ALLOWED BY LAW. SOME STATES AND PROVINCES DO NOT ALLOW LIMITATIONS OR EXCLUSIONS ON HOW LONG AN IMPLIED WARRANTY OF MERCHANTABILITY OR FITNESS LASTS, SO THE ABOVE LIMITATIONS OR EXCLUSIONS MAY NOT APPLY TO YOU. THIS WARRANTY GIVES YOU SPECIFIC LEGAL RIGHTS, AND YOU MAY ALSO HAVE OTHER RIGHTS WHICH VARY FROM STATE TO STATE OR PROVINCE TO PROVINCE

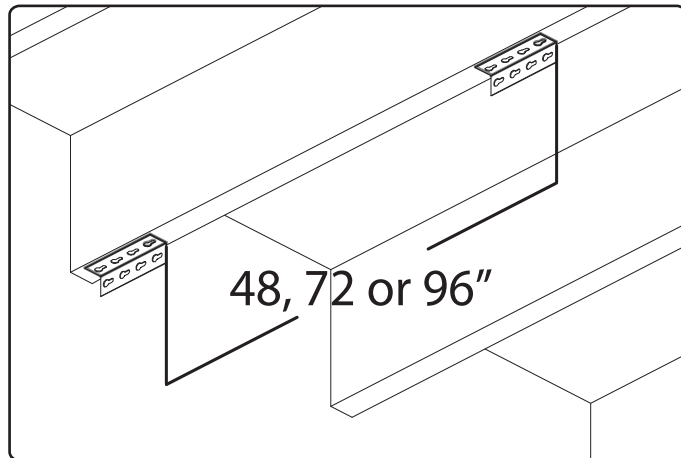
NEWAGE
PRODUCTS INC.

VersaRac Installation Overview

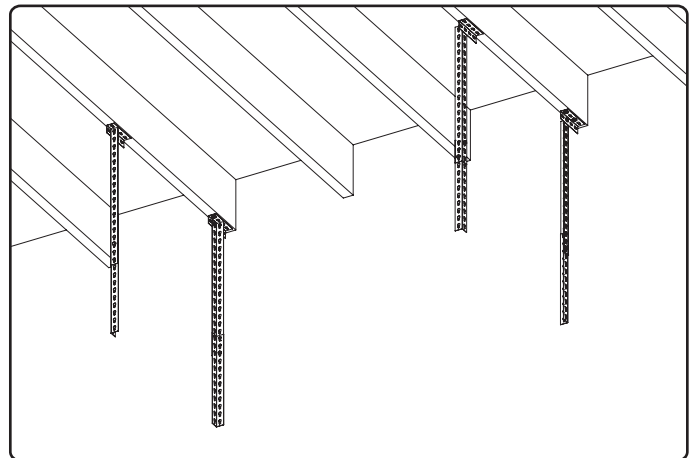
A Plan your VersaRac installation location, determine orientation and verify spacing of joists. (Page 6)



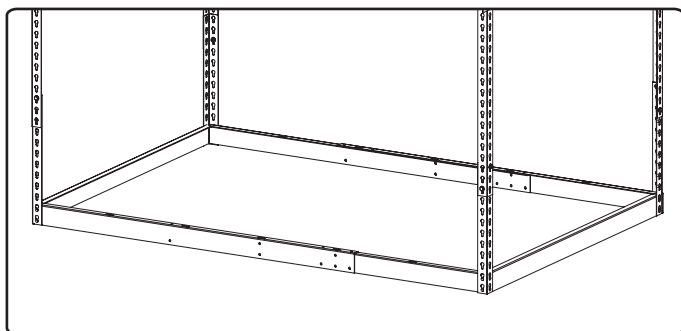
B Install ceiling mounting angles. (Page 7 - 8)



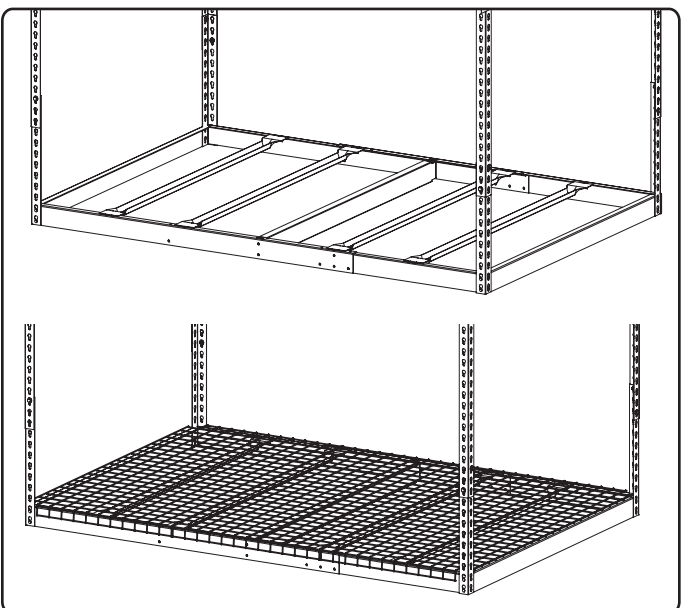
C Determine desired VersaRac height and install vertical posts (Page 9)



D Assemble and install perimeter beams (Page 10)



E Install center beam and cross supports followed by wire grid platforms. (Page 11)

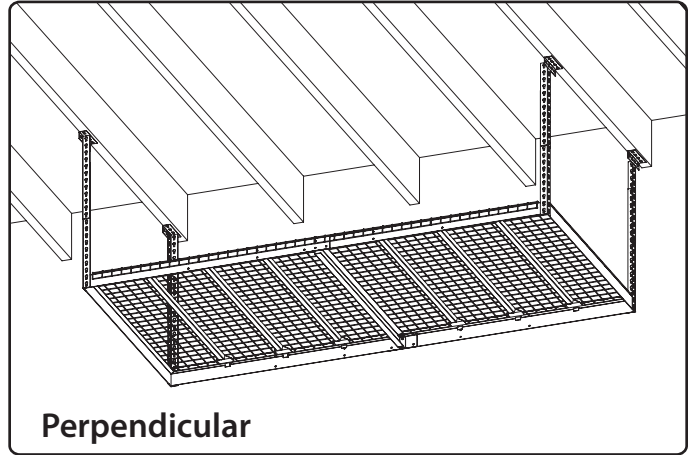
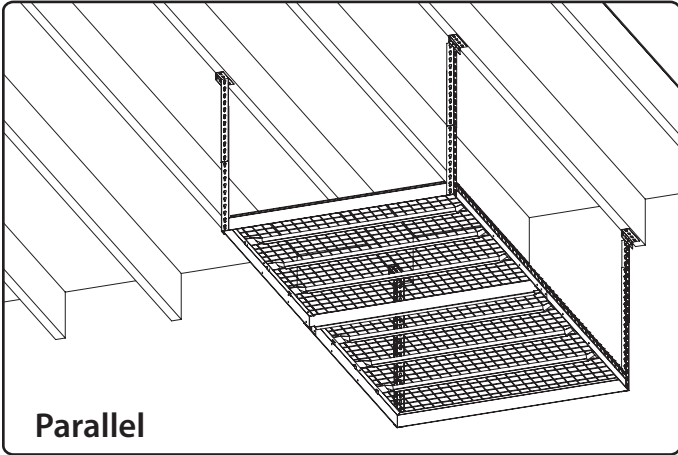


Note:

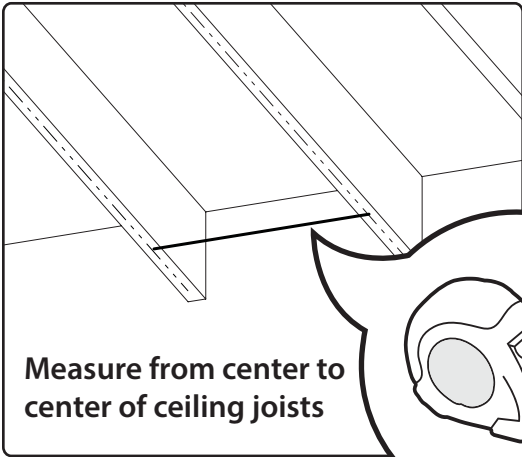
It is recommended that you read through the entire installation instruction manual first before beginning your VersaRac installation.

Plan the Installation Location

- 1** Determine if your VersaRac will be installed parallel or perpendicular to the direction of your ceiling joists. Use a stud finder to locate the joists if ceiling is finished with drywall.



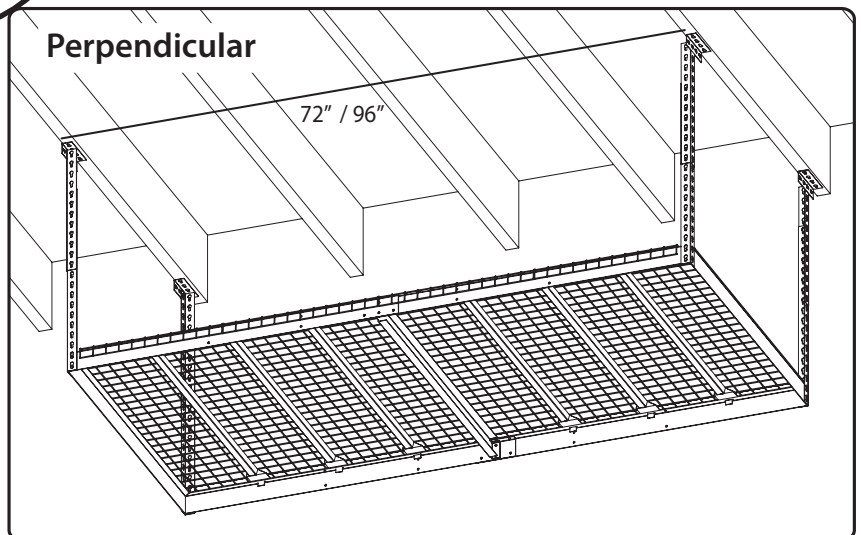
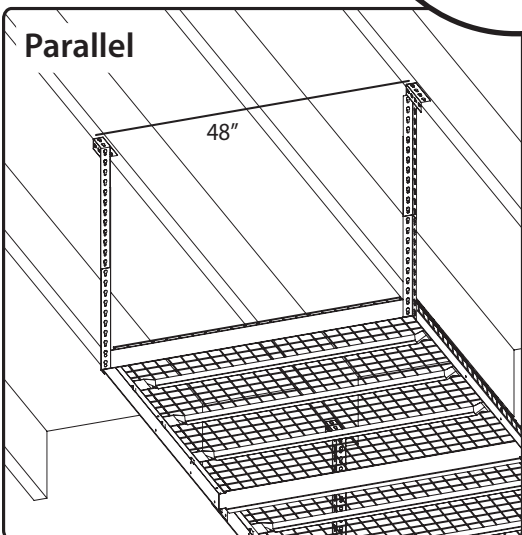
- 2** Check the spacing of your ceiling joists to ensure that they will work for the size and direction of your VersaRac install. If the spacing of your joists is 24" there should be ceiling joists located in the necessary position.



Note:

If the spacing of your ceiling joists does not match the preferred assembled size and direction of your VersaRac installation you will need to install a joist in the correct position.

Please refer to "Installing a Joist Hanger" on page 12 to install a ceiling joist in the desired position.

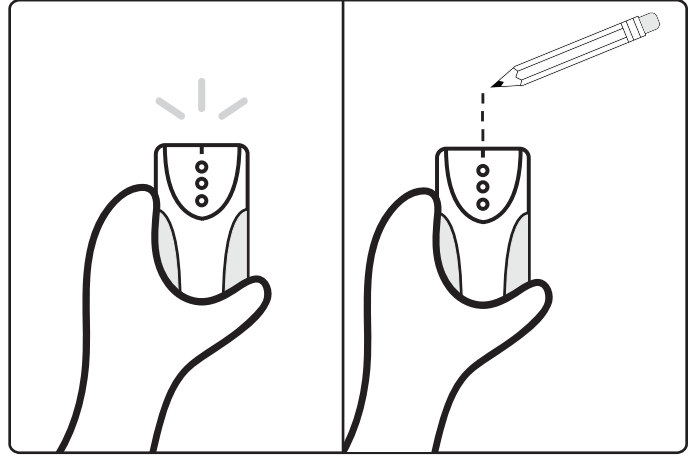
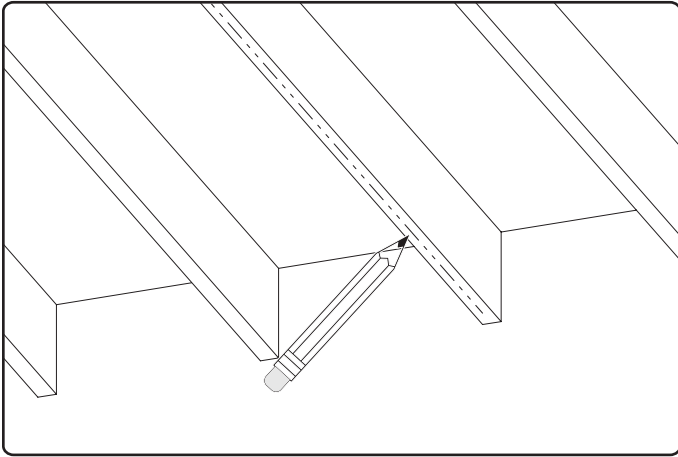


For a parallel installation ensure that the ceiling joists are 48" apart.

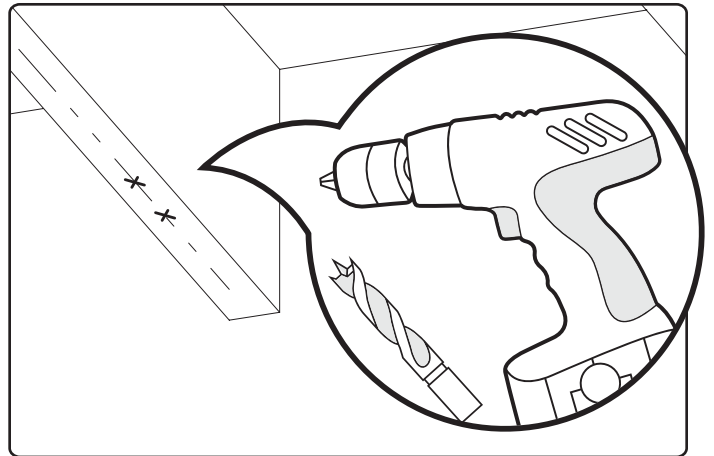
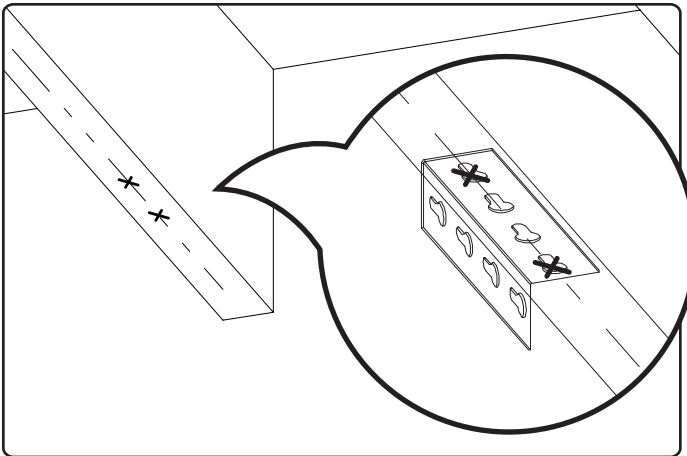
For a perpendicular installation ensure that the ceiling joists are 72" or 96" apart depending on the VersaRac configuration that best suits your preferred assembled size.

Install Ceiling Mounting Angles

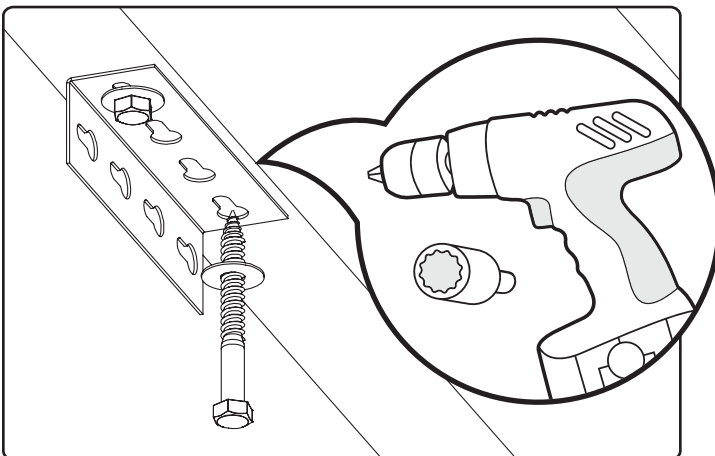
- 3** Locate and mark the center of ceiling joist. Use a stud finder to locate the joists if ceiling is finished with drywall.



- 4** Align center of keyhole slots on the ceiling mounting angle with the centerline of the ceiling joist and mark the holes on both ends.



- 6** Install ceiling mounting angle into joist using two 1/4" x 3" lag bolts, two 1/4" washers and a 7/16" socket.



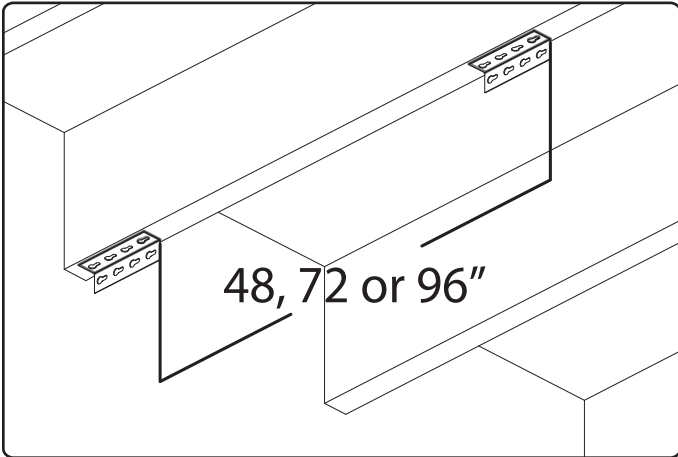
- Note:** Make sure the lag bolts are tight against the joist but DO NOT over-tighten the lag bolts. If lag bolts are over-tightened, the bolt could snap or the hole may be stripped.

- Warning:** VersaRac is designed for installation into wooden ceiling joists only.

If the construction of your ceiling is using engineered ceiling joists, please refer to "Fastening to Engineered Joists" on page 14.

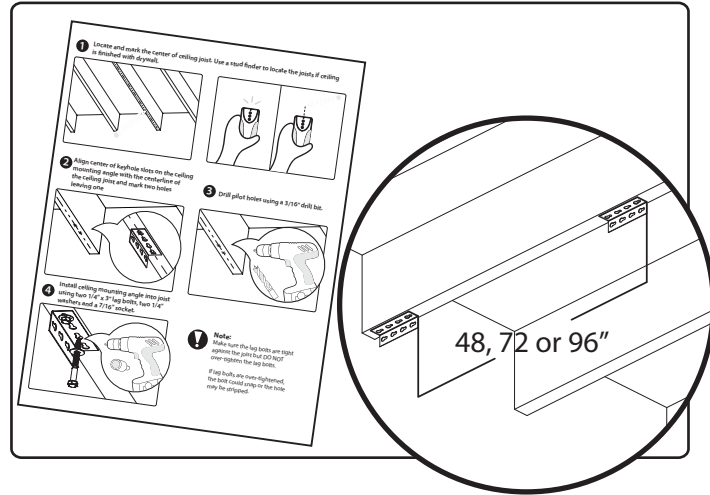
7

Depending on the VersaRac size and orientation as determined on page 6, measure 48, 72 or 96" from the installed ceiling mounting angle to determine the location of the second ceiling mounting angles.



8

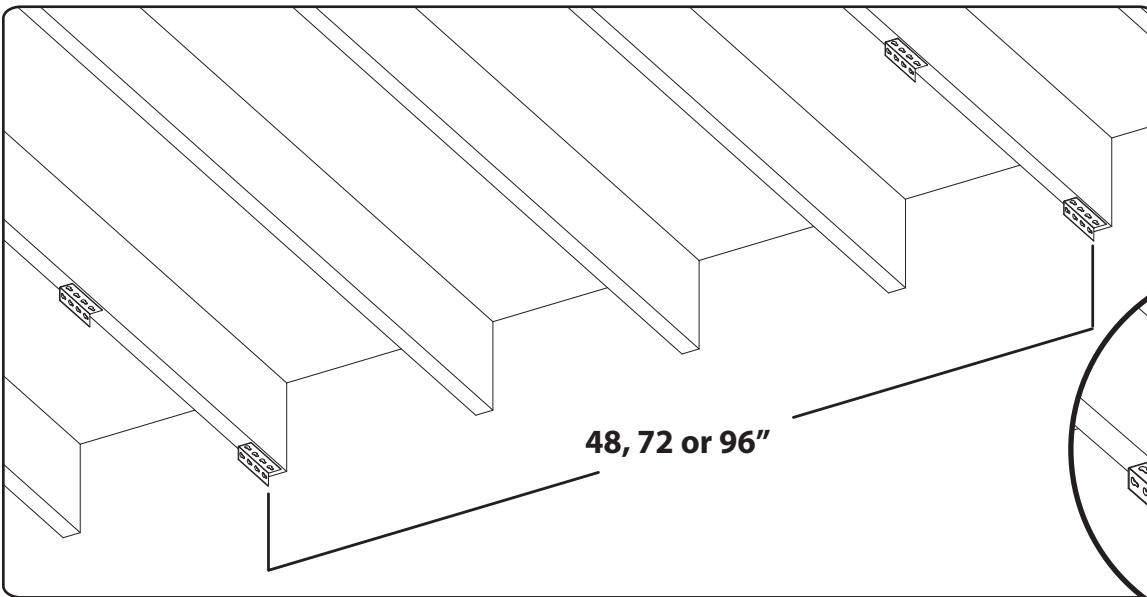
Repeat steps 1 - 4 to install the second ceiling mounting bracket in the same orientation as the first.



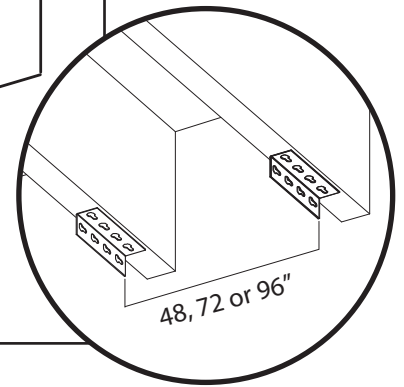
Note: Ceiling Mounting Angles must be measured from the same end of the bracket.

9

Depending on the VersaRac size and orientation that best suits your application, measure 48, 72 or 96" from the installed ceiling mounting angles to determine the location of the remaining ceiling mounting angles

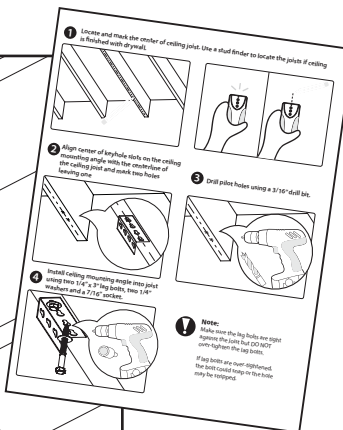
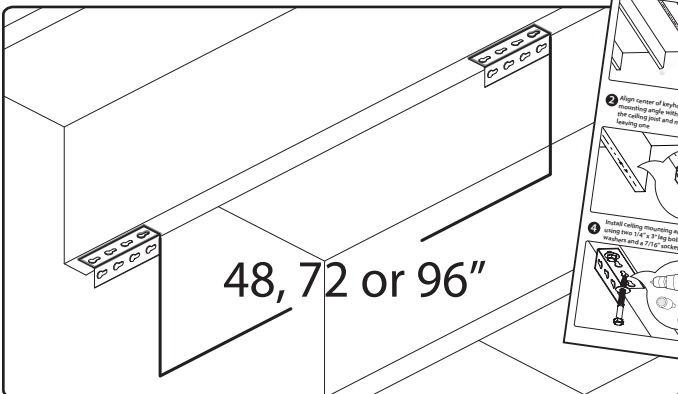


Note: Measure ceiling mounting angles from the same side of bracket.



10

Repeat steps 1 - 4 to install the remaining ceiling mounting brackets in the same orientation.

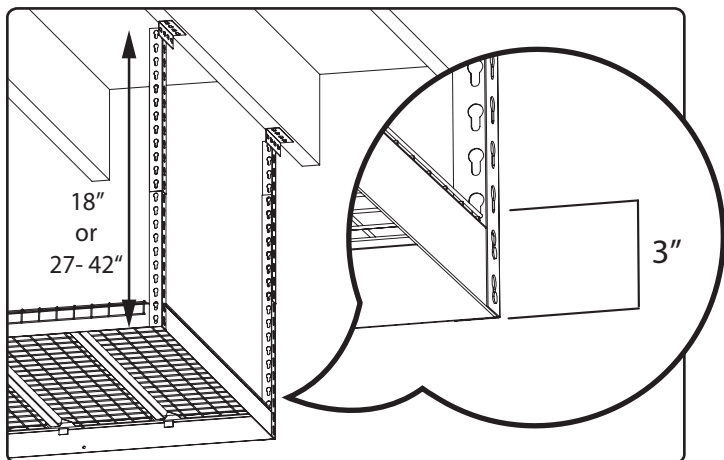


Note: If the spacing of your ceiling joists does not match the preferred assembled size and direction of your VersaRac installation you will need to install a joist in the correct position.

Please refer to "Installing a Joist Hanger" on page 12 to install a ceiling joist in the desired position.

Install Vertical Angle Posts

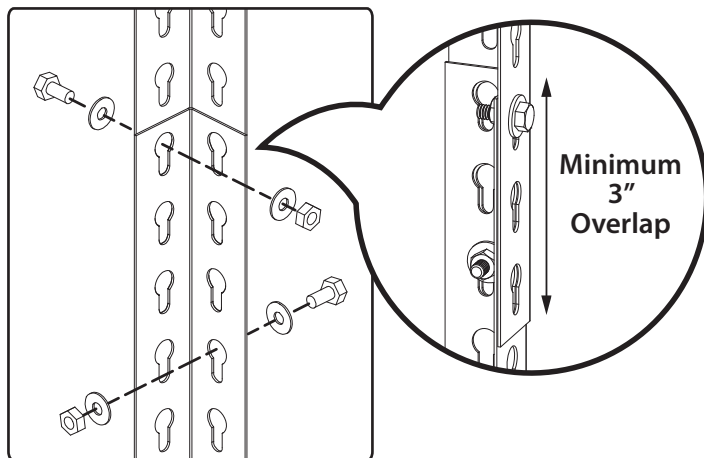
11 Determine desired height of VersaRac from Ceiling to bottom of the overhead rack.



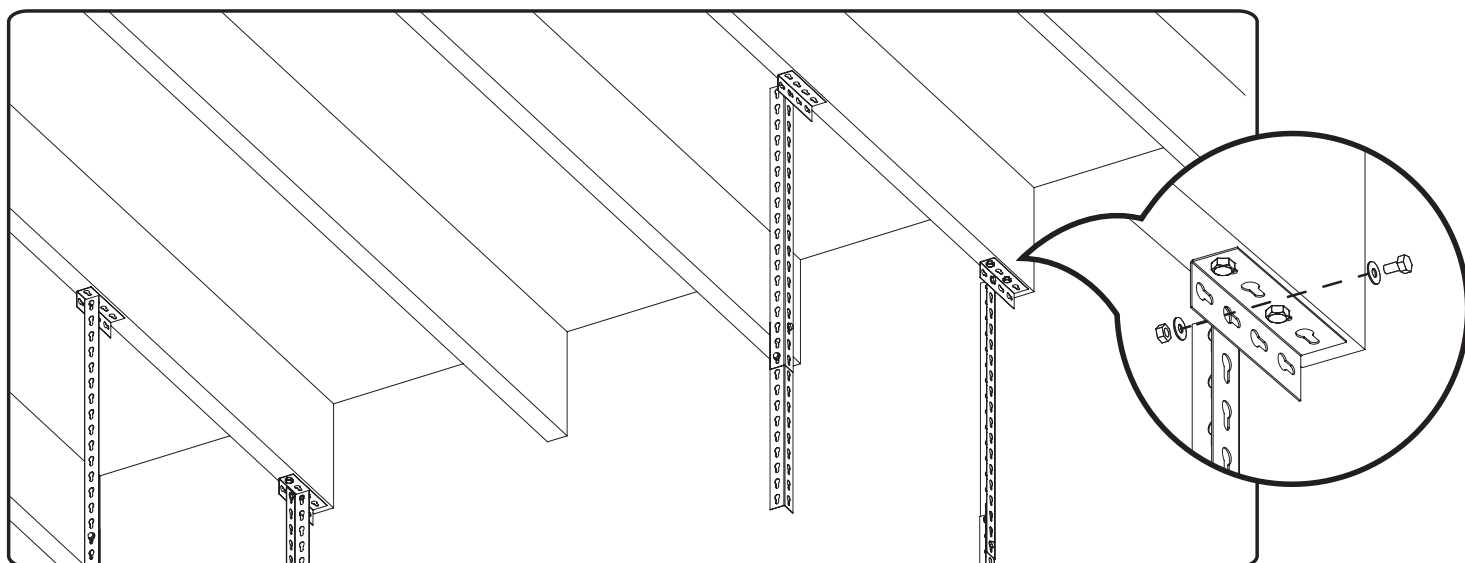
Note: Storage space will be 3" shorter than the full height of the VersaRac

12 If desired height is greater than 18", Bolt an 18" vertical angle post to a 27" post with two 1/4" x 3/4" bolts, two 1/4" lock nuts and four 1/4" washers. Use one bolt on each side of the post with keyholes in the same direction.

Repeat for the remaining vertical angle posts.

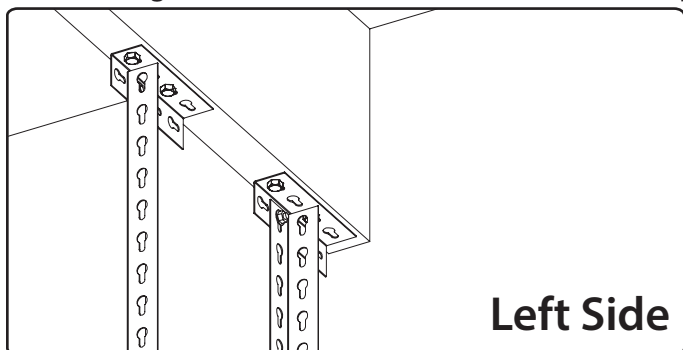


13 Bolt vertical angle posts to ceiling angle brackets with the large end of the keyslot on top using a 1/4" x 3/4" bolt, a 1/4" lock nut and two 1/4" washers for each post. Vertical angle posts should be orientated so that they form the corners of the VersaRac.

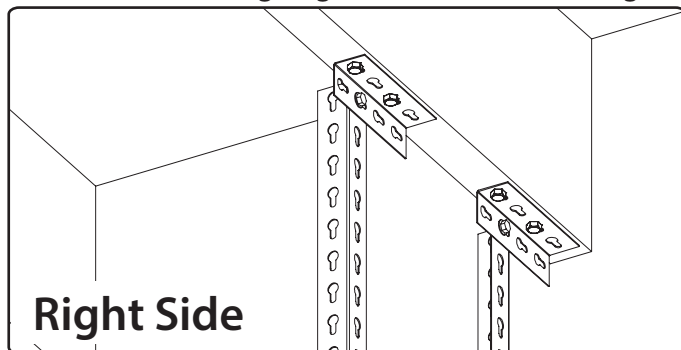


Note:

Vertical Angle Post on the left will be installed on opposite sides of the ceiling angle brackets from the right.



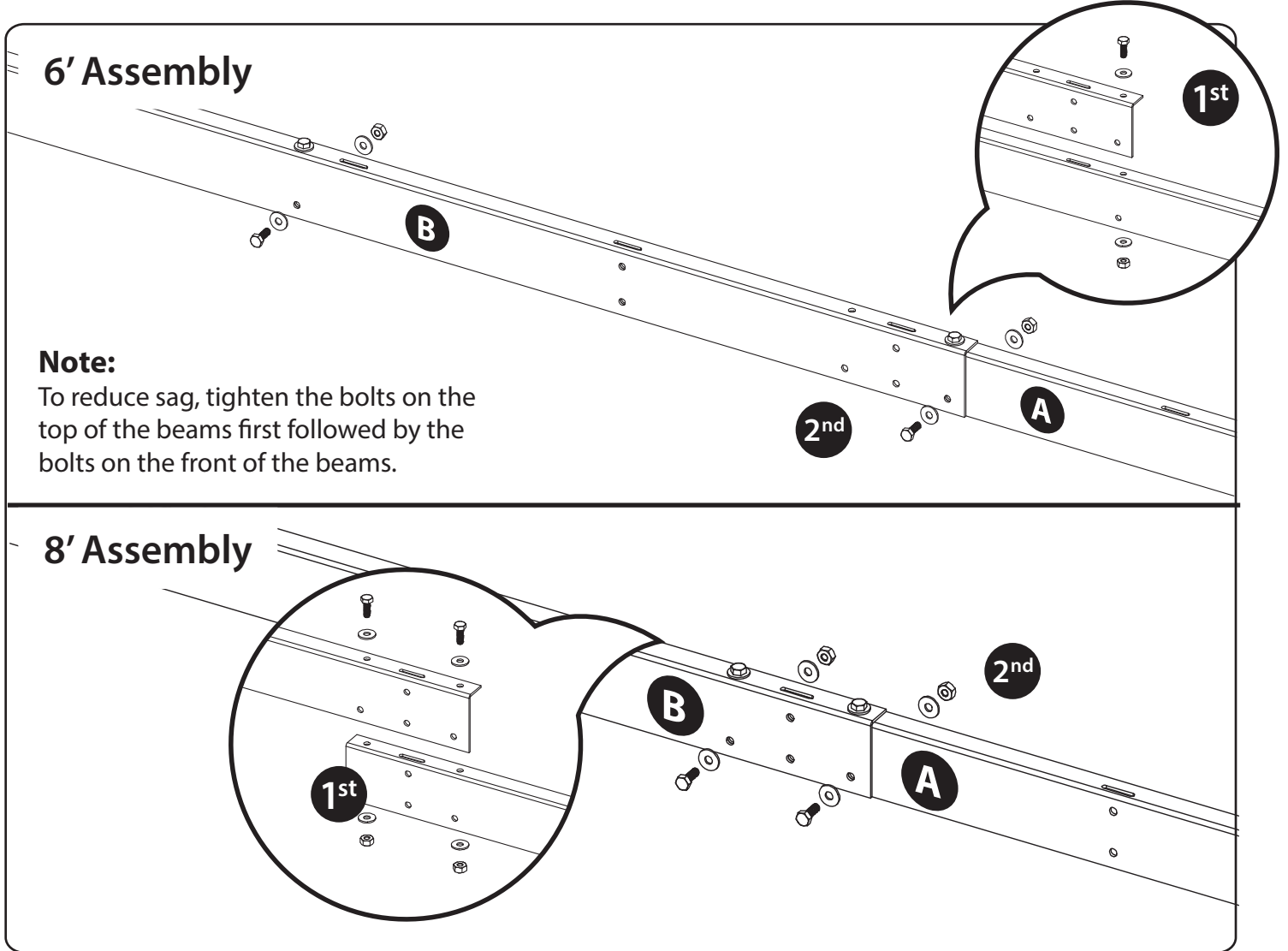
Left Side



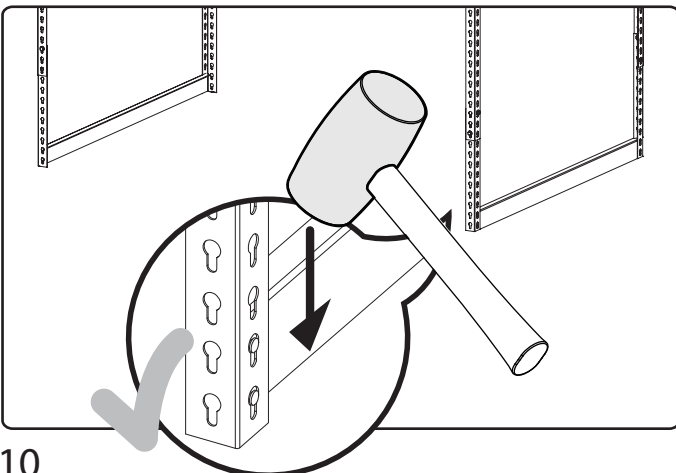
Right Side

Assemble and Install Perimeter Beams

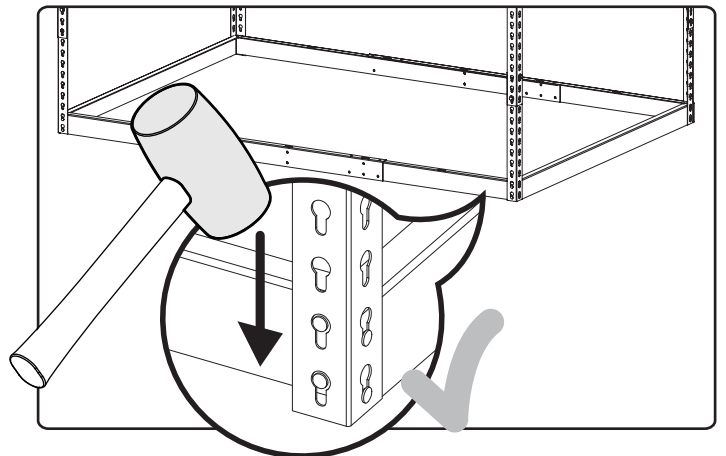
- 14** Bolt together Long Perimeter Beams A and B at the desired 6' or 8' (72" or 96") length assembly. Use four 1/4" x 3/4" bolts and 1/4" lock nuts with eight 1/4" washers per assembly.



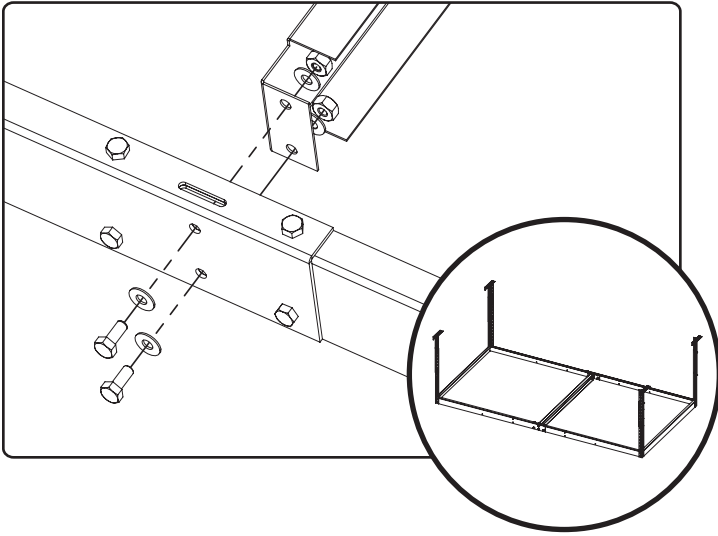
- 15** Install both short perimeter beams into the bottom of the vertical angle posts. Use a rubber mallet to align the rivet nubs with the bottom of the keyholes.



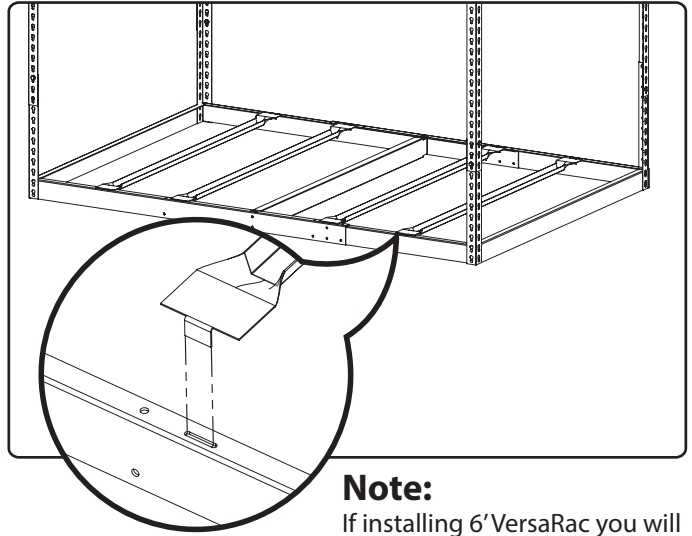
- 16** Install both long cross beam assemblies into the bottom of the vertical angle posts. Use a Rubber mallet to align the rivet nubs with the bottom of the keyholes.



- 17** Bolt the Center Support into the holes found in the middle of the 6' or 8' assembly. Use two 1/4" x 3/4" bolts and 1/4" lock nuts with four 1/4" washers per side.

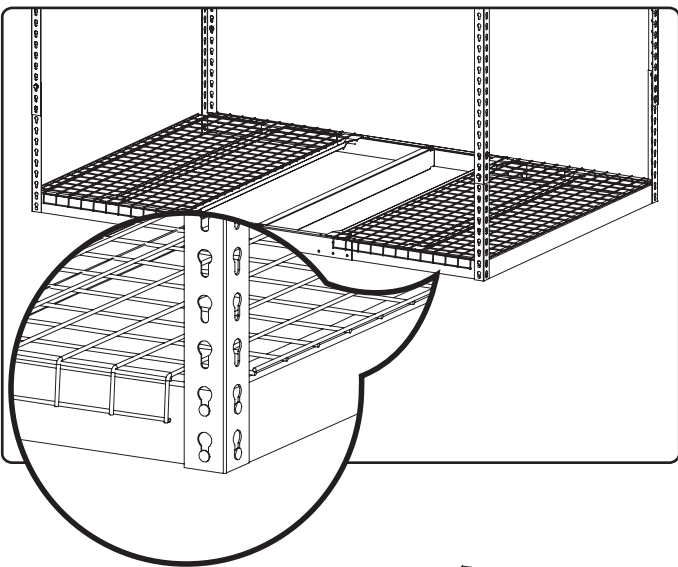


- 18** Place the cross supports into the slots on the top of the long cross beam assemblies.

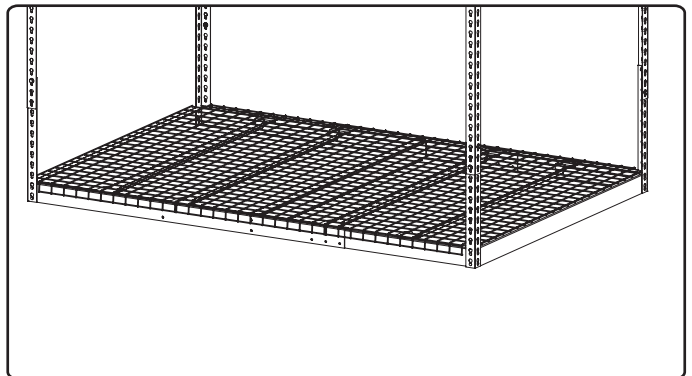


Note:
If installing 6' VersaRac you will have two cross supports left over.

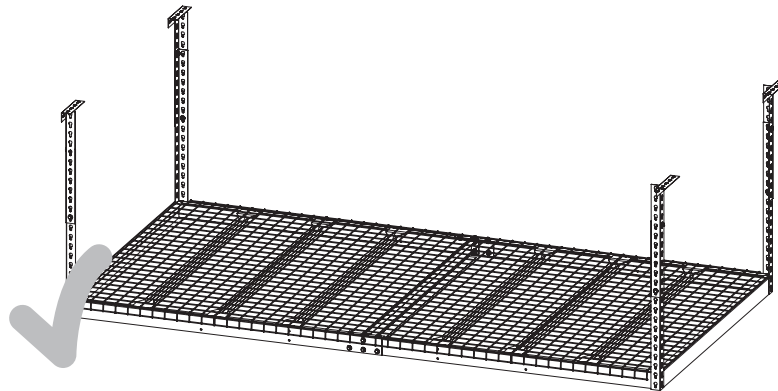
- 19** Place both wire grids with notched corners on the ends of the VersaRac. Notched corners should provide clearance for the Vertical Angle Supports.



- 20** Place one wire grid between the previously installed grids if installing a 6' VersaRac, or 2 if it is an 8' VersaRac.



Note:
If installing 6' VersaRac you will have one grid section left over.



Warning:



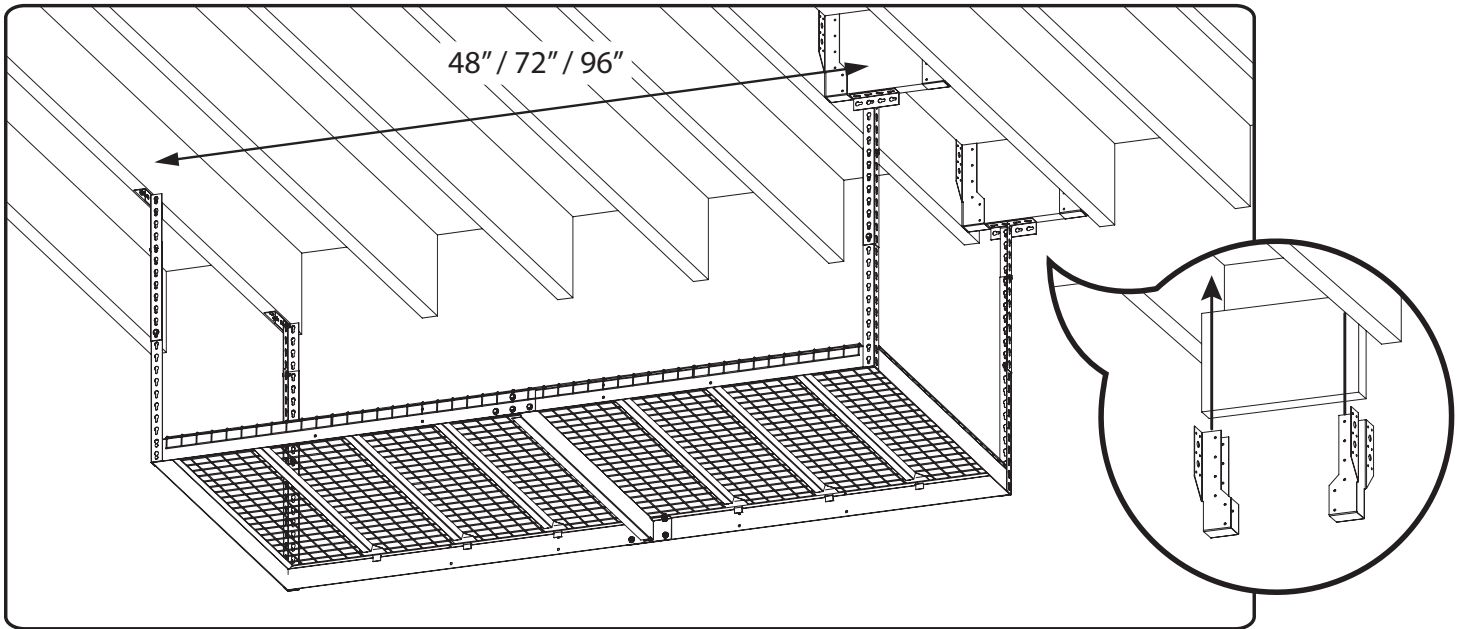
Periodically (at least quarterly) inspect your VersaRac unit to ensure beams are seated properly and brackets are firmly connected to the overhead supports. If there is no sufficient structure, remove the overhead and install the ceiling mounting angles into proper ceiling support.

Installation Tips

Installing a Joist Hanger

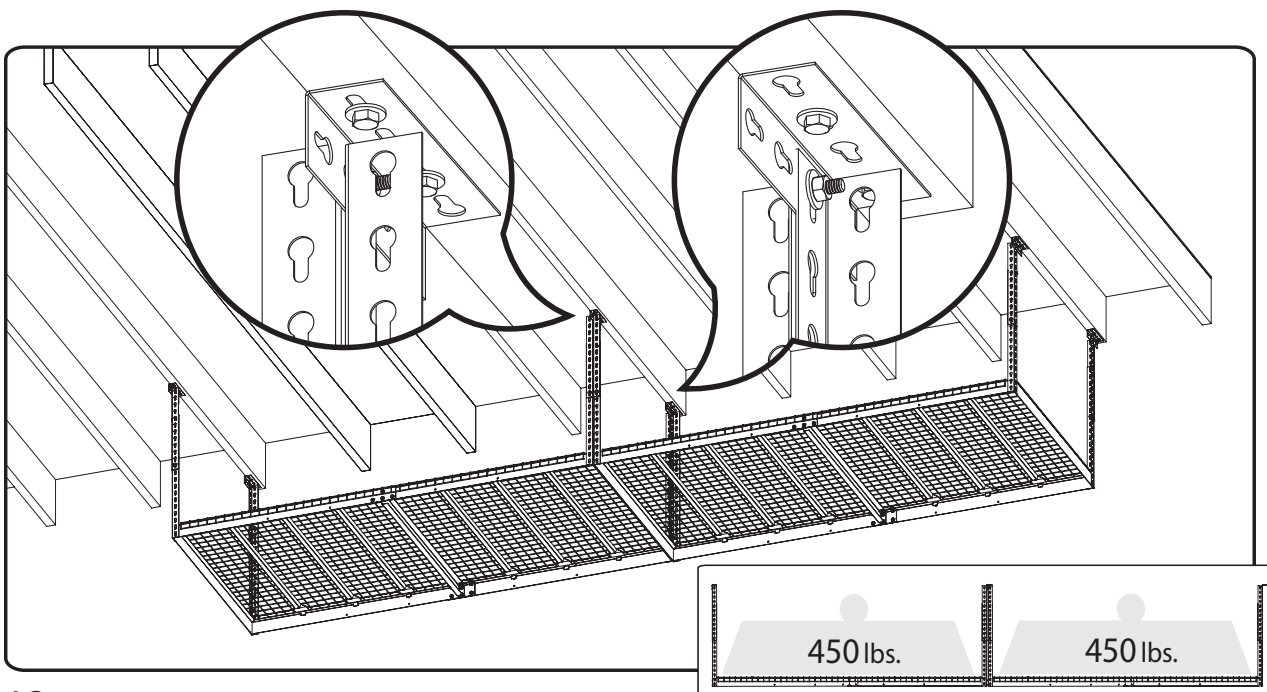
If the spacing of your ceiling joists do not match the desired size and direction of your VersaRac installation you will need to install a joist in the correct position. Please consult your local professional contractor for assistance installing a joist hanger.

Using suitable joist hangers, install two additional wooden ceiling joists in the desired location. (ceiling joist, joist hanger and hardware not included)



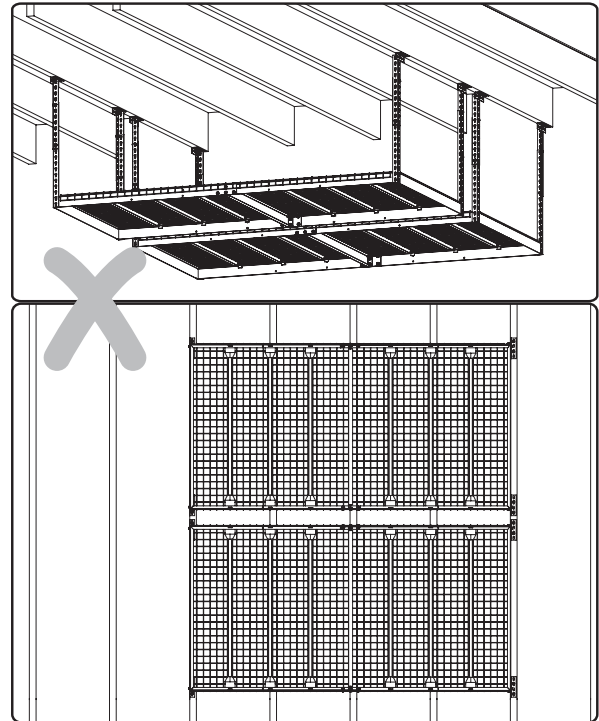
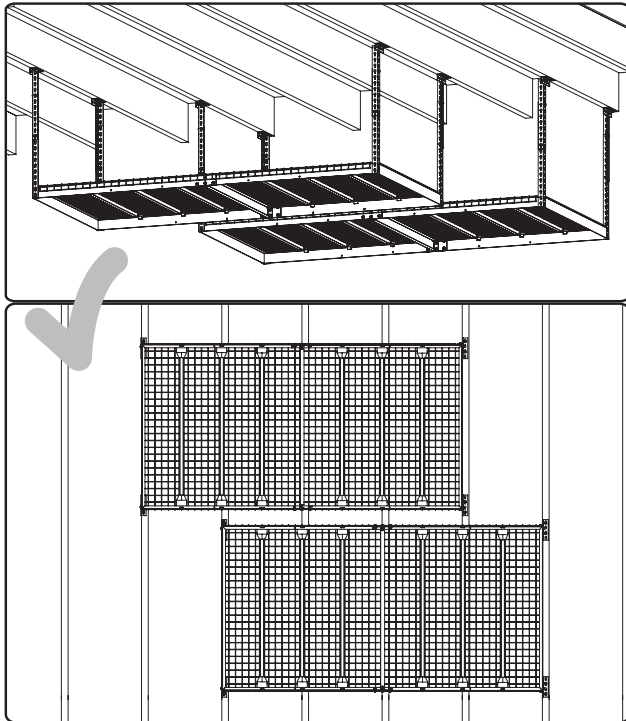
Sharing Ceiling Mounting Angles

Two VersaRac's can be installed with their 4' ends together by sharing the ceiling mounting angles in the middle. Installing VersaRac's in this configuration reduces the evenly distributed weight capacity from 600lbs per overhead rack to 450lbs per overhead rack.



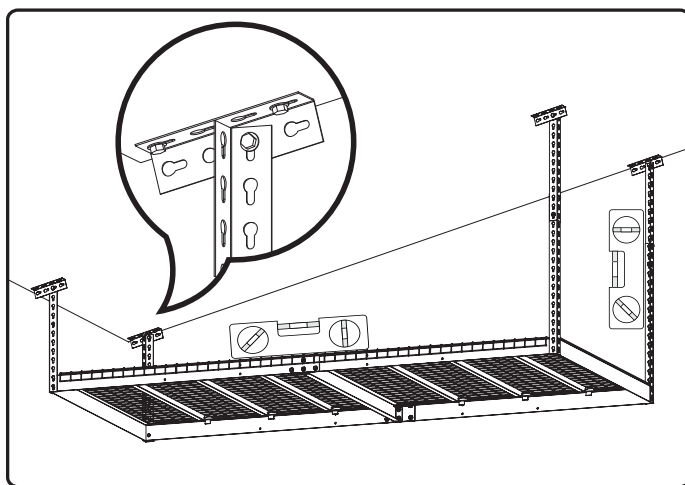
Spacing VersaRac's

Never install more than one VersaRac unit on any two overhead ceiling joist supports.



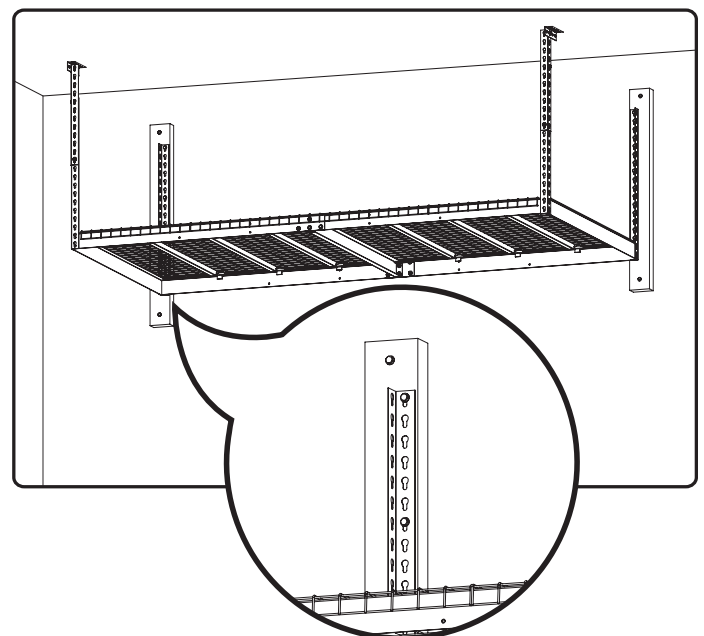
Installing on Slanted Ceiling

VersaRac can be installed on a slanted ceiling by adjusting the length of the vertical angle post assemblies. The VersaRac must be installed with a horizontally level storage platform, and vertically level vertical angle posts.



Installing against Wall

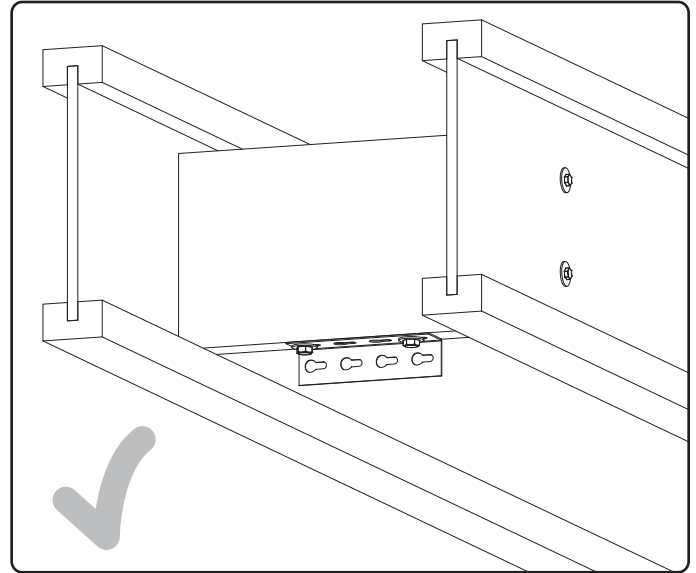
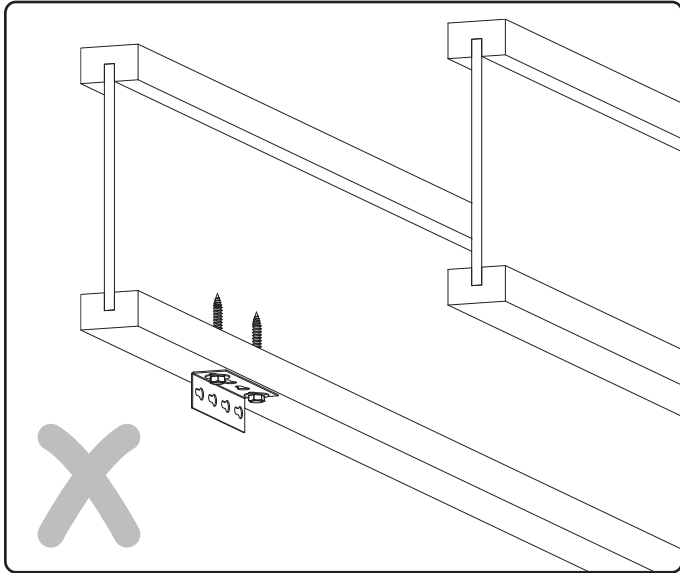
VersaRac can be installed against the wall on one end by bracing a 2in by 4in wood spacer against the wall and bolting the vertical angle irons to the wood spacer. 2in by 4in wood spacer and additional hardware required not included.



Fastening to Engineered Joists

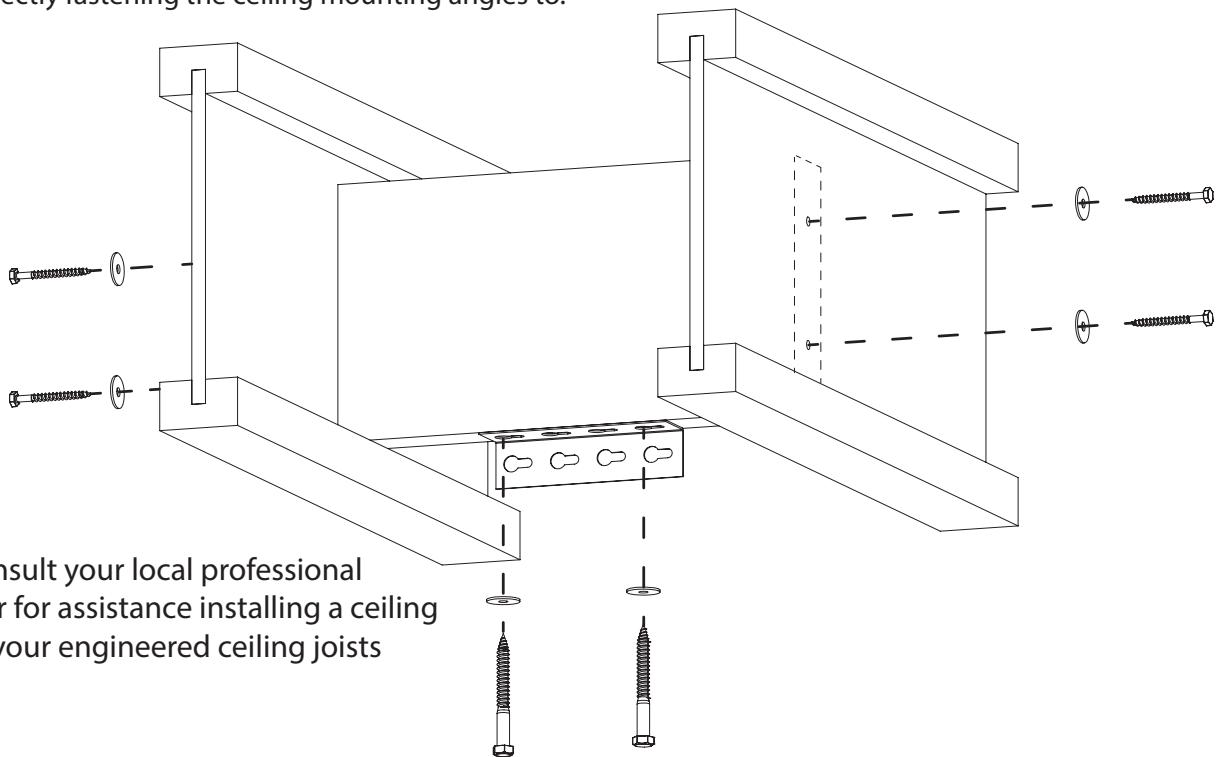
If the construction of your ceiling is using engineered ceiling joists you must install an additional ceiling joist (minimum 2" x 8") perpendicular between two of the engineered ceiling joists.

Install four additional wooden ceiling joists in the required locations for your ceiling mounting angles depending on the VersaRac size and orientation as determined on page 6 (ceiling joist and hardware not included)



Warning:

Engineered ceiling joists are not suitable for directly fastening the ceiling mounting angles to.

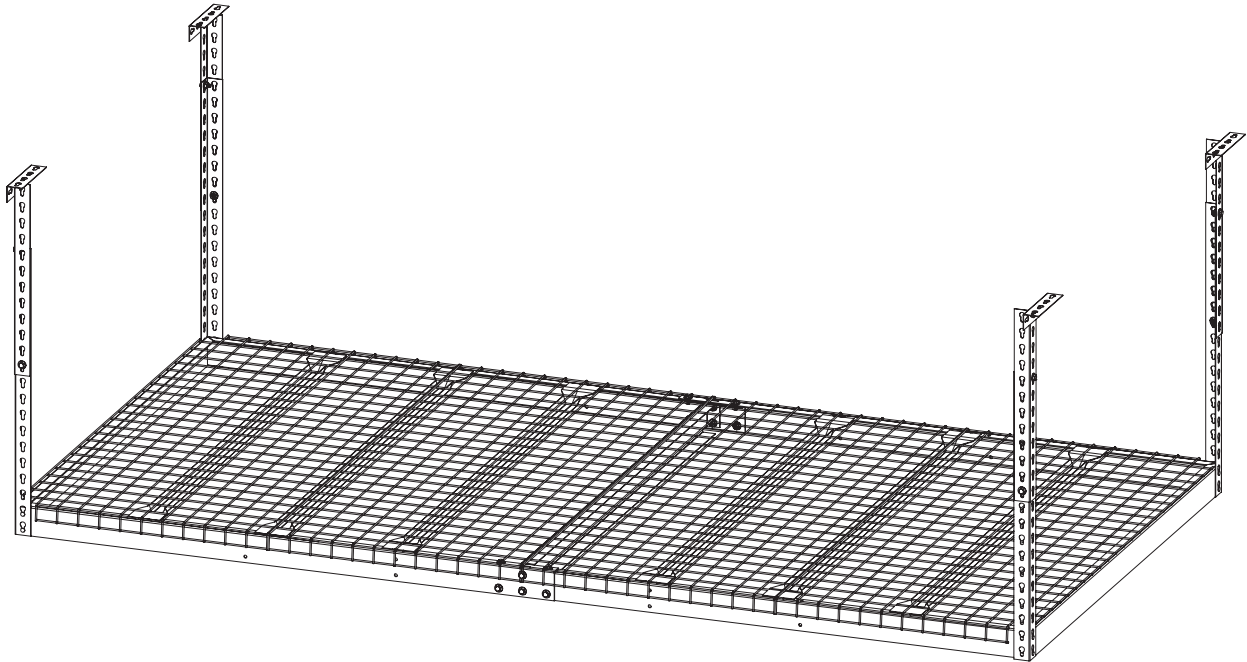


Please consult your local professional contractor for assistance installing a ceiling joist into your engineered ceiling joists

Thank you for purchasing a NewAge Product!

Please give us a call or visit online if you have any questions.

Call 1.877.306.8930; for UK 0800.031.4069; e-mail us at info@newageproducts.com



VersaRac

Réglable étagère de rangement



Avertissement: Risque de poids excessif!

Utilisez deux ou plusieurs personnes pour déplacer, assembler ou installer porte-bagages pour éviter le dos ou d'autres blessures.

Ne pas laisser les enfants sans surveillance à proximité de porte-bagages. Risque élevé de blessure si mal installé : Suivez les instructions soigneusement et régulièrement inspecter votre système pour assurer que tous les composants sont bien fixés.

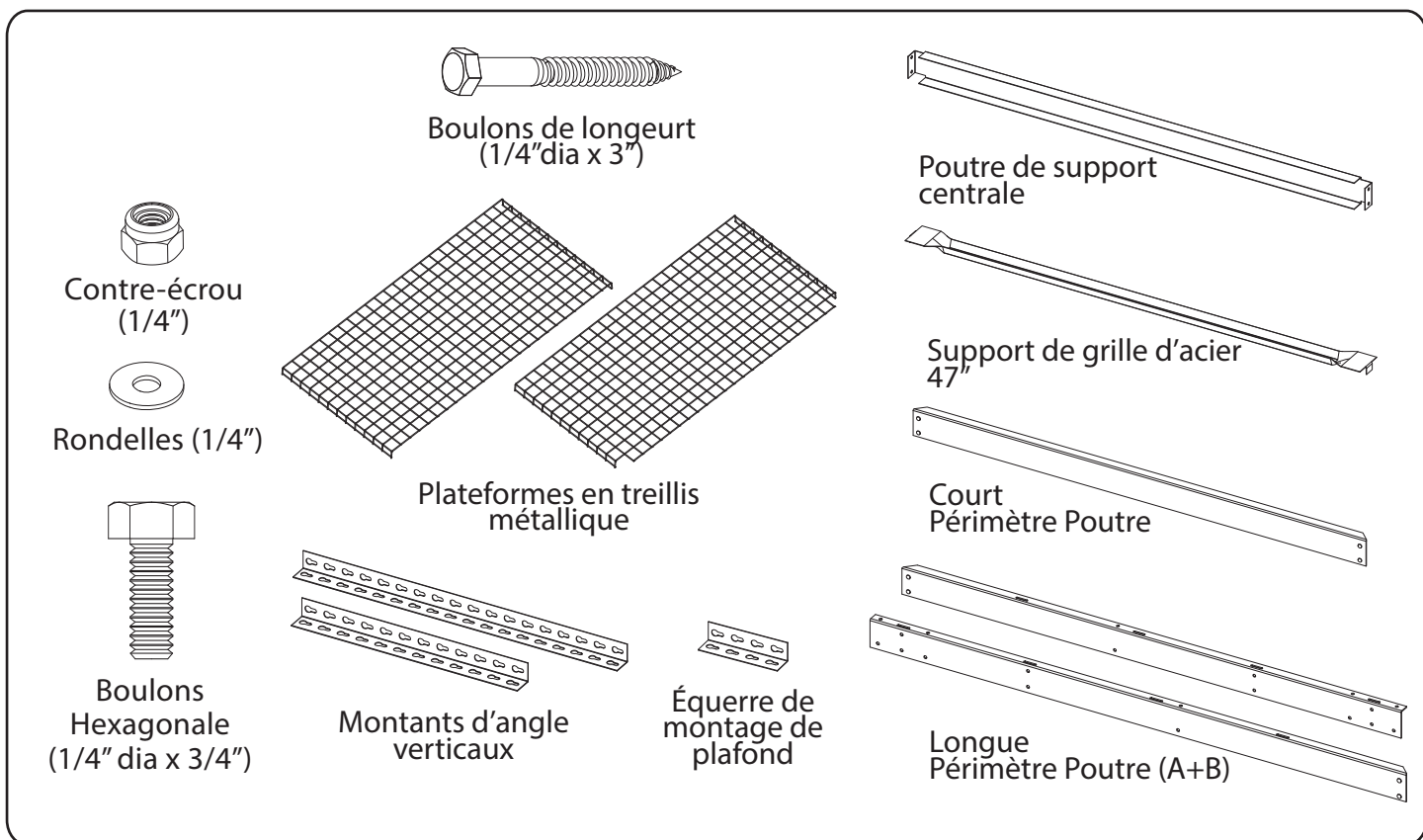
Pour de l'aide composez 1.877.306.8930; for UK 0800.031.4069; e-mail at info@newageproducts.com

Déballage

- Commencez par placer le paquet sur une surface plane recouverte.
- Retirez tout carton, matériau d'emballage en mousse et des sacs en plastique transparent .
- Jeter / recycler tous les matériaux d'emballage .
- Vérifiez tout le contenu de la boîte et de rassembler les outils nécessaires . Voir « Pièces fournies» et « Outils nécessaires » dans la liste ci-dessous.

Pièces fournies

Description	4' X 6' / 4' X 8'
Équerre de montage de plafond 1.5" x 1.5" x 6"	4
Montants d'angle verticaux 1.5" x 1.5" x 18"	4
Montants d'angle verticaux 1.5" x 1.5" x 27"	4
Court Périmètre Poutre 1" x 2.75" x 48"	2
Longue Périmètre Poutre 1" x 2.75" x 51" (A)	2
Longue Périmètre Poutre 1" x 2.75" x 51" (B)	2
Support de grille d'acier 47"	6
Poutre de support centrale	1
Plateformes en treillis métallique	4
Boulon de 1/4" x 3/4" de longueur	24
Contre-écrou en nylon de 1/4"	24
Tire-fond de 1/4" de diamètre et 3" de longueur	8
Rondelles	56
Instructions d'installation, schémas de montage et garantie	1

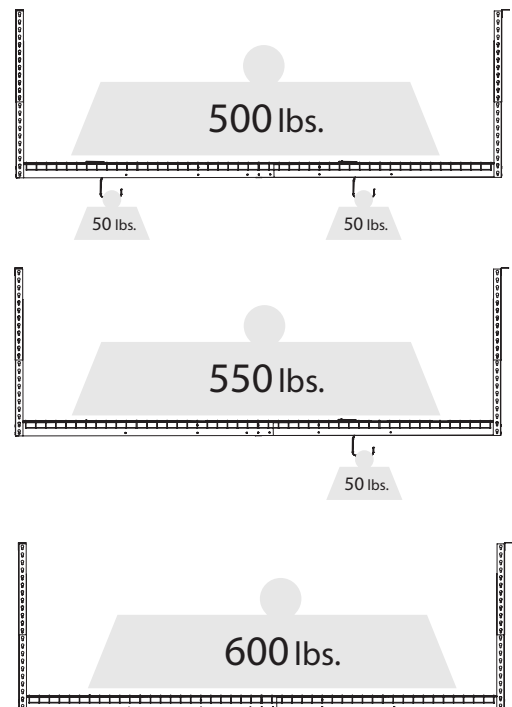


AVERTISSEMENT DE SÉCURITÉ

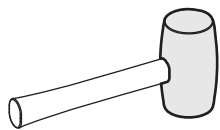
PRIÈRE DE LIRE TOUT D'ABORD CECI

1. Toutes les unités VersaRac disposent d'une capacité nominale de charge de 600 livres, distribuée de manière égale, utilisant un tire-fond d'au moins 1,75 po ancré dans des solives en bois massif ou des supports capables de supporter une telle charge.
2. Chaque utilitaire crochet VersaRac peut contenir un maximum de 50lbs, Poids de l'utilité de stockage de crochet doit être inclus dans la charge maximale de 600lbs pour le porte-bagages.
3. Ne pas charger plus de 600 lb sur un VersaRac. Il est possible que les charges vivantes (personnes, animaux de compagnie, etc.) soient moins lourdes que la capacité nominale, mais elles exerceront tout de même une force supérieure à celle admissible. Par conséquent, il n'est pas approprié de se tenir debout, sauter ou se suspendre au VersaRac.
4. Les unités VersaRac doivent être installées à des solives suspendues ou des supports adéquats du point de vue structurel. NewAge Products Inc. ne donne aucune garantie concernant la capacité ou la solidité de la structure à laquelle les unités sont assemblées.
5. NewAge Products Inc. ne peut être tenu responsable de la rupture, ou de dommages ou blessures entraînés par la rupture de la structure.
6. Toujours inspecter la structure du plafond pour assurer qu'il y a des supports appropriés. Ne jamais installer plus d'une unité VersaRac sur les deux supports généraux.
7. **VersaRac n'est pas conçu pour les maisons à charpente métallique.**
8. **S'assurer que tout le poids est réparti uniformément sur la grille. Placez les objets les plus lourds près des postes angle vertical et des objets légers dans le centre.**
9. **Ne pas sauter ou grimper sur votre VersaRac.**
11. **Vérifiez régulièrement votre système pour s'assurer que tous les composants sont bien fixés.**

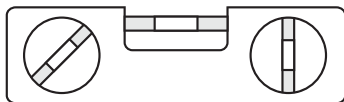
Capacité de poids



Outils nécessaires



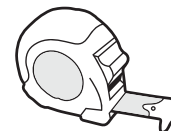
Mallot en caoutchouc



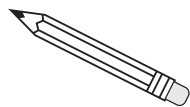
12" vérin magnétique



Localisateur de montants



Ruban à mesurer



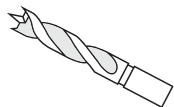
Crayon



Lunettes de protection



7/16" Douille



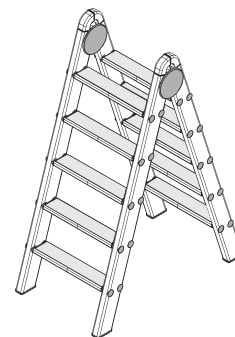
3/16" Foret



7/16" cle a douilles



Perceuse mecanique sans fils



Échelle

Garantie à vie limitée du fabricant

Lorsque ce produit est installé, utilisé et entretenu conformément aux instructions ci-jointes ou fournies avec le produit, NewAge Products Inc. remplacera les pièces ou le produit défectueux advenant que ceux-ci découlent d'un défaut de matériel ou de fabrication pendant la durée de vie du produit.

NEWAGE PRODUCTS INC. N'ASSUMERA PAS LES COÛTS SUIVANTS :

1. Les appels de service pour corriger l'installation de tout produit NewAge ou pour vous montrer comment les utiliser ou les installer.
2. Les dommages causés par une manutention ou une expédition inadéquate du produit, ou des produits endommagés par un accident, une mauvaise utilisation, un abus, un incendie, une inondation, une installation inadéquate, un cas fortuit, une négligence, la corrosion, une modification ou une mauvaise manipulation.
3. Les produits endommagés en raison d'une charge supérieure au poids maximum précisé dans les instructions fournies avec le produit.
4. Les réparations ou le remplacement lorsque votre produit est utilisé pour un autre usage que celui d'un ménage unifamilial normal, comme un milieu commercial ou d'une façon non conforme aux directives d'installation incluses avec le produit.
5. Les dommages cosmétiques, y compris les éraflures, les marques, les entailles ou les fissures dans la peinture qui n'affectent pas la capacité fonctionnelle ou structurelle du produit.
6. Les surfaces endommagées en raison d'une interaction chimique entraînant la corrosion de la peinture ou du métal.
7. Les pièces de rechange pour des produits NewAge à l'extérieur du Canada et des États-Unis.
8. La perte des produits y étant contenus en raison d'un vol, d'un incendie, d'une inondation, d'un accident ou de cas fortuits.
9. Les frais d'expédition ou de transport pour livrer les produits de rechange ou pour retourner des produits défectueux.
10. Tout coût de main-d'oeuvre pendant la période de garantie limitée.

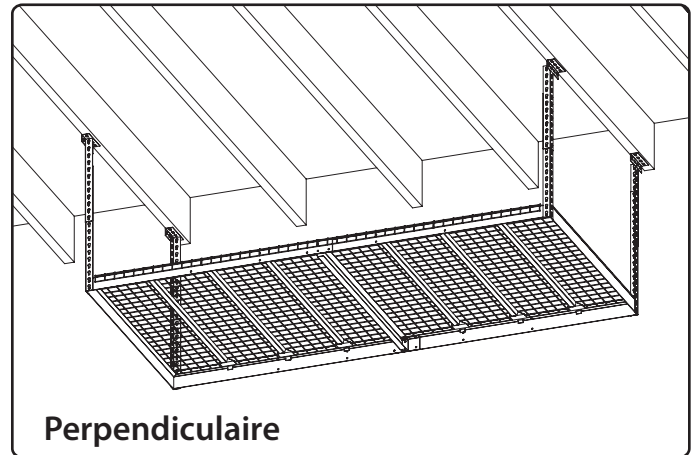
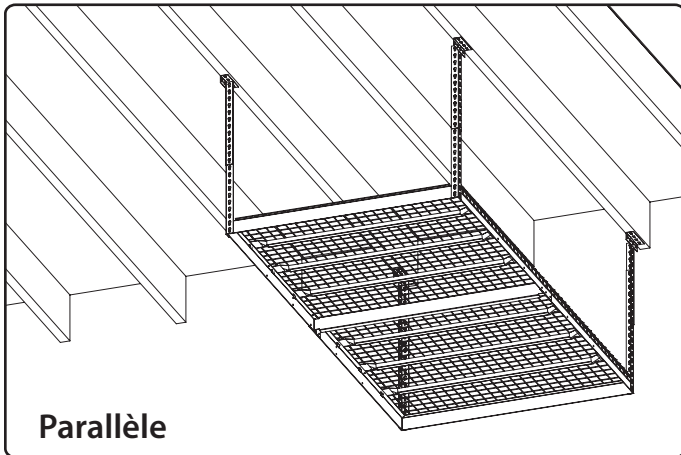
EXONÉRATION DE GARANTIES IMPLICITES; LIMITATION DE RECOURS

LES GARANTIES IMPLICITES, Y COMPRIS LES GARANTIES APPLICABLES DE QUALITÉ MARCHANDE OU DE CONVENANCE PRÉCISE, SONT EXCLUES DANS LA LIMITE OÙ LA LOI LE PERMET. TOUTE GARANTIE IMPLICITE QUI POURRAIT ÊTRE IMPOSÉE PAR LA LOI DOIT SE LIMITER À UN AN, OU À LA PÉRIODE LA PLUS COURTE PERMISE PAR LA LOI. CERTAINS ÉTATS AINSI QUE CERTAINES PROVINCES NE PERMETTENT PAS LES LIMITATIONS OU LES EXCLUSIONS SUR LA DURÉE D'UNE GARANTIE IMPLICITE DE QUALITÉ MARCHANDE OU DE CONVENANCE PRÉCISE. PAR CONSÉQUENT, IL EST POSSIBLE QUE LES LIMITATIONS OU EXCLUSIONS PRÉCITÉES NE S'APPLIQUENT PAS À VOUS. CETTE GARANTIE VOUS DONNE DES DROITS LÉGAUX PARTICULIERS ET VOUS POURRIEZ ÉGALEMENT DISPOSER D'AUTRES DROITS VARIANT SELON L'ÉTAT OU LA PROVINCE.

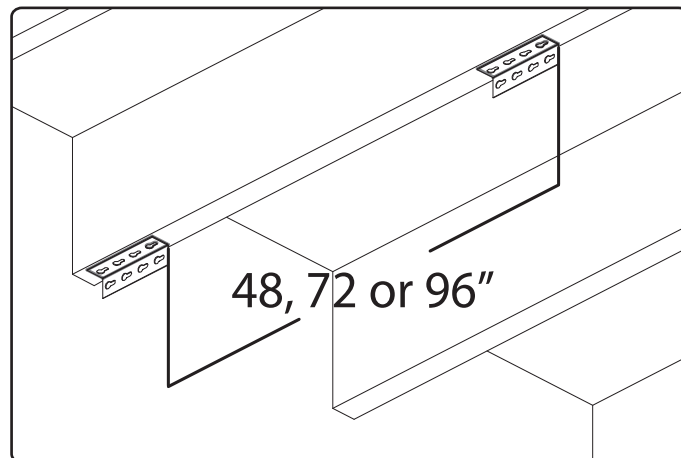
NEWAGE
PRODUCTS INC.

VersaRac Présentation de l'installation

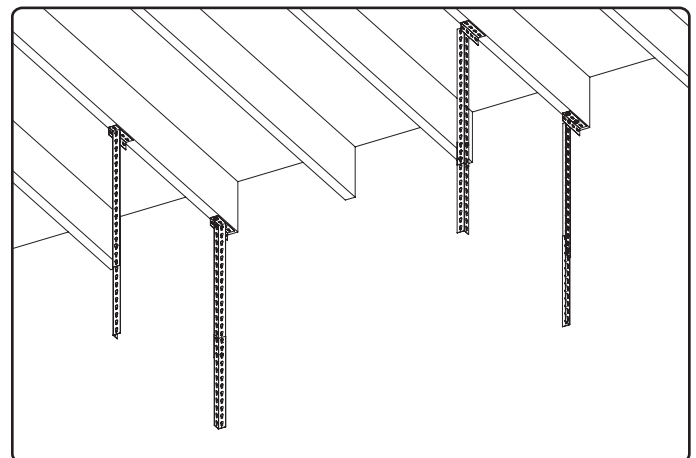
- A** Planifiez votre emplacement d'installation de VersaRac , déterminer l'orientation et de vérifier l'espacement des solives . (Page 6)



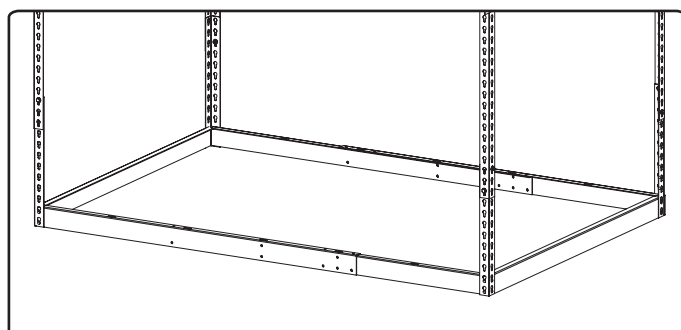
- B** Installer des angles de montage au plafond. (Page 7 - 8)



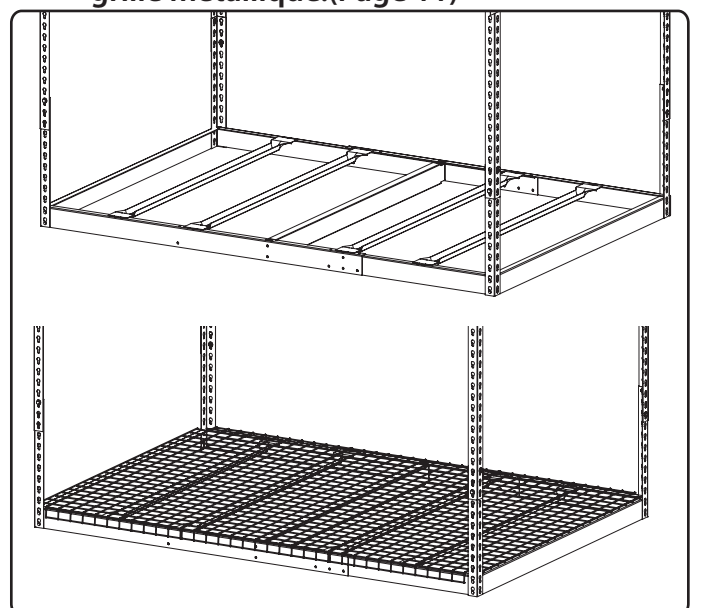
- C** Déterminer la hauteur VersaRack désirée et installer des poteaux verticaux. (Page 9)



- D** Assembler et installer des poutres de périmètre.(Page 10)



- E** Installer faisceau central et supports transversaux suivis par les plates-formes de la grille métallique.(Page 11)

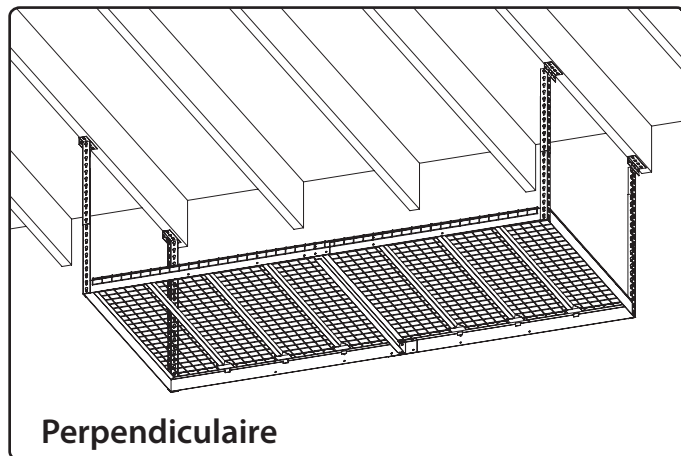
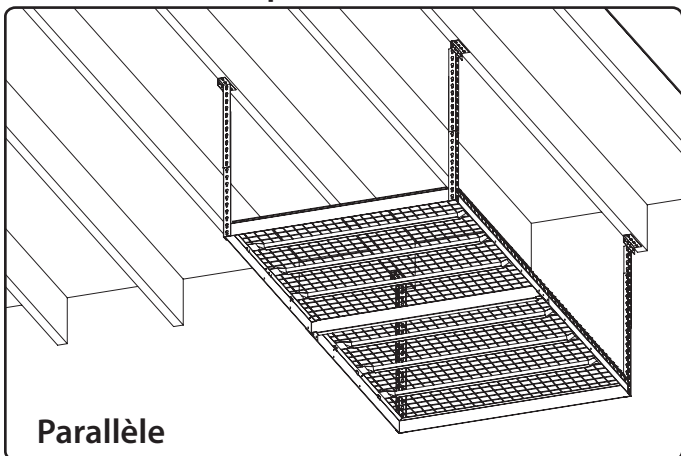


Remarque:

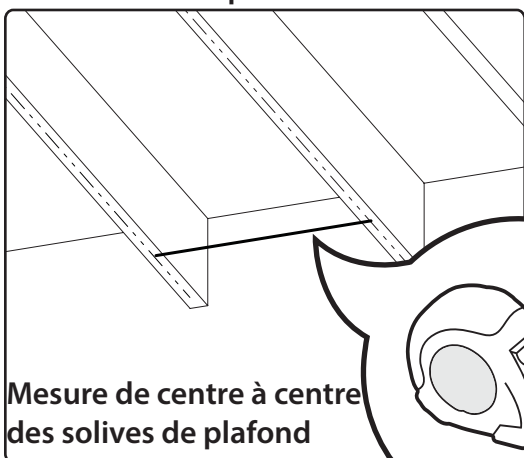
Il est recommandé que vous lisez tout le manuel d'instructions d'installation avant de commencer l'installation de votre VersaRac .

Planifier l'emplacement d'installation

- 1** Déterminez si votre VersaRac sera installé parallèlement ou perpendiculairement à la direction de vos solives de plafond . Utilisez un localisateur de montants pour repérer les solives si le plafond est fini avec cloisons sèches .



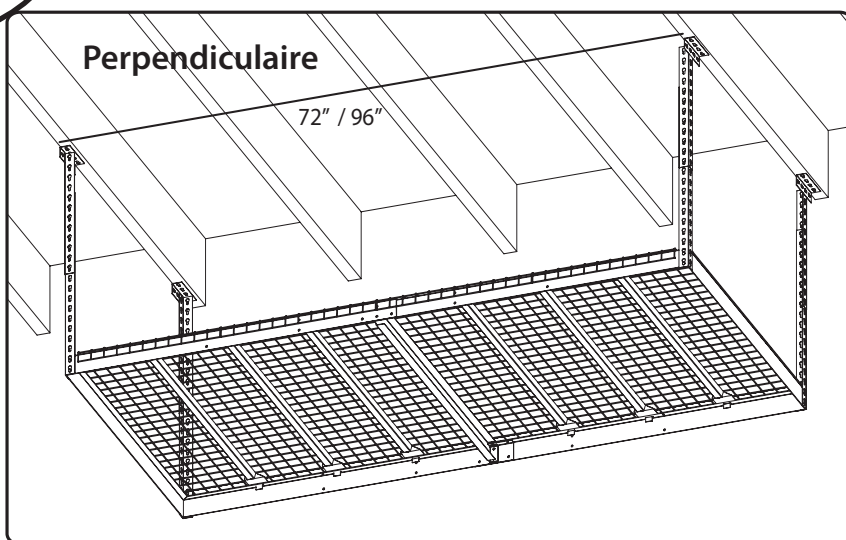
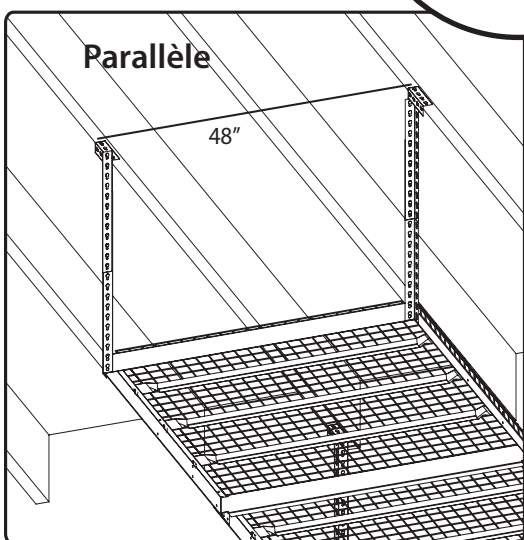
- 2** Vérifiez l'espacement de vos solives de plafond pour veiller à ce qu'ils vont travailler pour la taille et la direction de votre VersaRac. Si l'espacement de vos solives est de 12" ou 24" il devrait y avoir des solives de plafond situés dans la position nécessaire.



Remarque:

Si l'espacement de vos solives de plafond ne correspond pas à la taille et la direction assemblé préféré de votre installation VersaRac vous aurez besoin d'installer une poutrelle dans la bonne position .

S'il vous plaît se référer à "Installation d'une solive" à la page 12 pour installer une solive du plafond dans la position souhaitée .

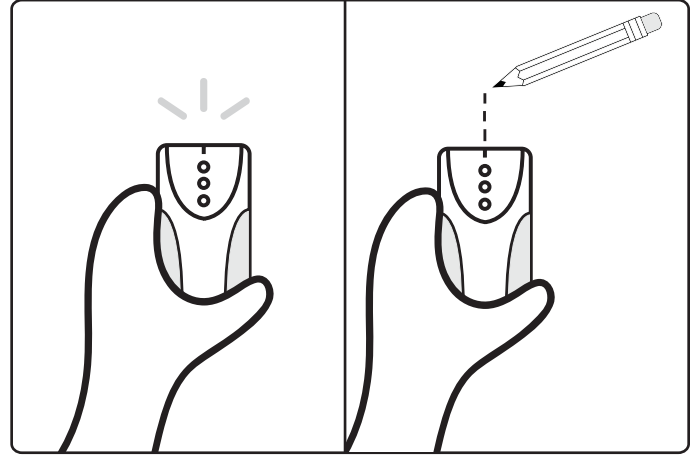
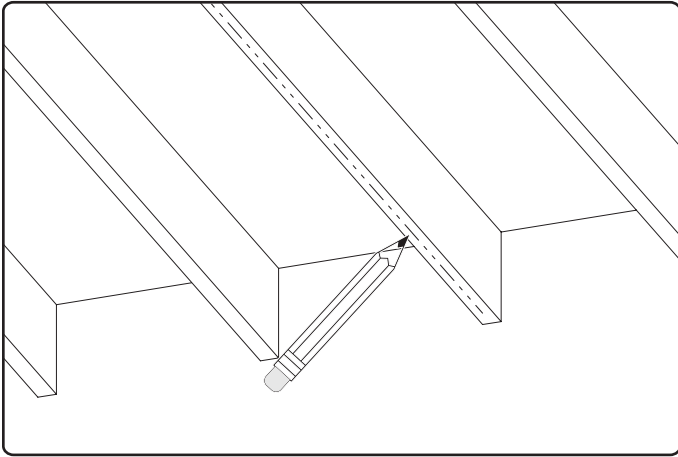


Pour une installation parallèle veiller à ce que les solives de plafond sont 48" à part .

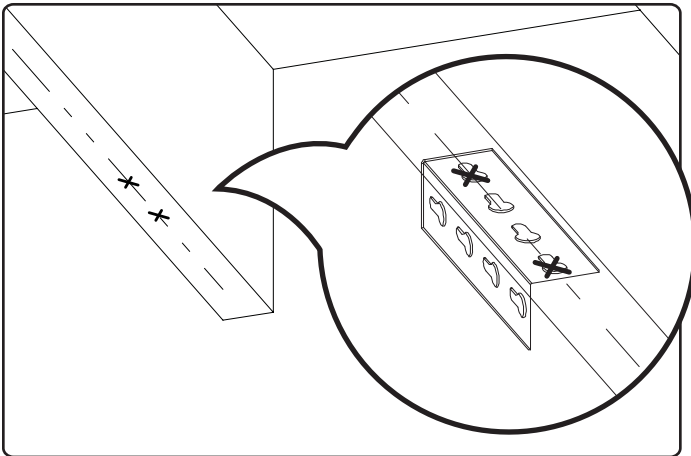
Pour une installation perpendiculaire veiller à ce que les solives de plafond sont 72" ou 96" en fonction en dehors de la configuration VersaRac qui convient le mieux à votre taille assemblé préféré .

Installez le montage au plafond angles

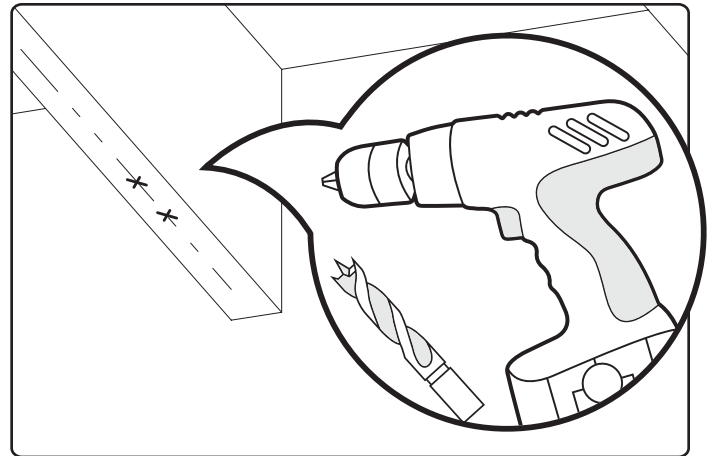
- 3** Repérez et marquez le centre de solive du plafond . Utilisez un localisateur de montants pour repérer les solives si le plafond est fini avec cloisons sèches .



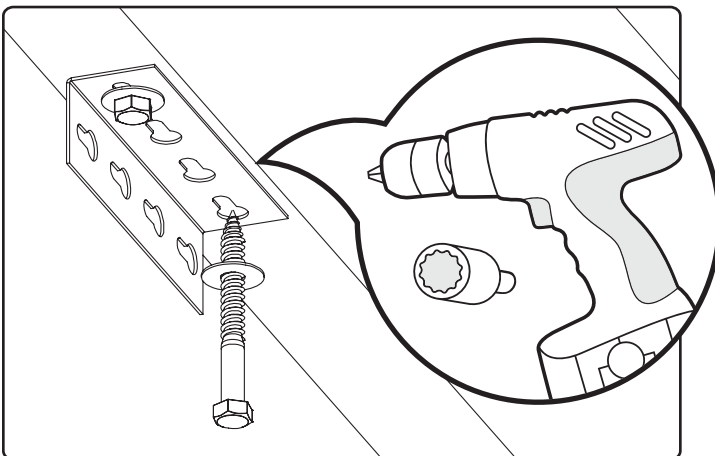
- 4** Alignez centre de trous de serrure sur l'angle de montage au plafond avec la ligne centrale de la solive de plafond et marquer les trous sur les deux extrémités.



- 5** Percez des trous avec un foret de 3/16" de forage .



- 6** Installez le plafond angle de montage en solive avec deux 1/4 "x 3" tirefonds , deux 1/4 " rondelles et un 7/16" socket .



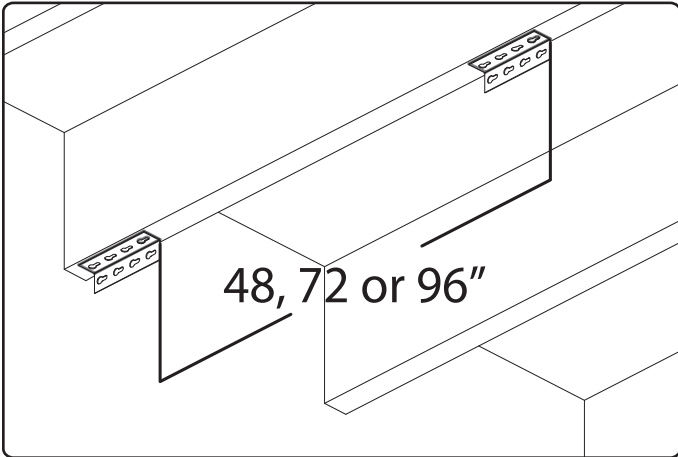
- Remarque:**
Assurez-vous que les boulons de retard sont serrés contre la solive , mais ne pas trop serrer les tirefonds .

Si tirefonds sont trop serrées , le boulon pourrait casser ou le trou peut être dépouillé .

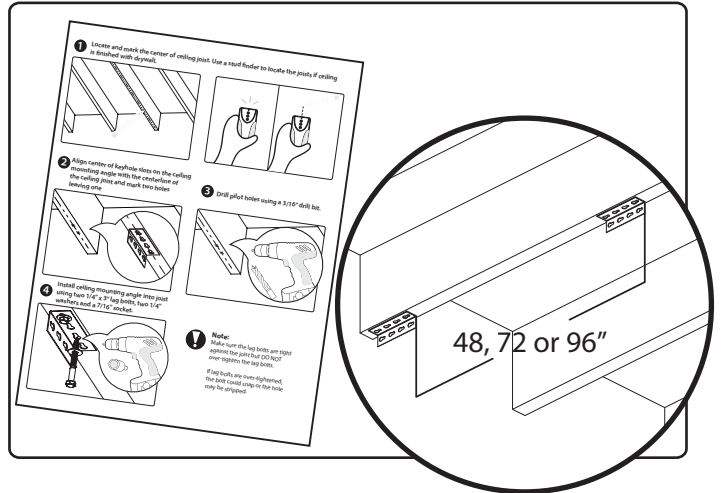
- Attention:**
VersaRac est conçu pour une installation en bois solives de plafond seulement.

Si la construction de votre plafond utilise les solives de plafond d'ingénierie , référer à "Fixation au Ingénieur Poutrelles" à la page 14.

7 En fonction de la taille et de l'orientation VersaRac tel que déterminé à la page 6, mesure 48", 72" ou 96" du plafond installé angle de montage pour déterminer l'emplacement du deuxième angle de montage au plafond.

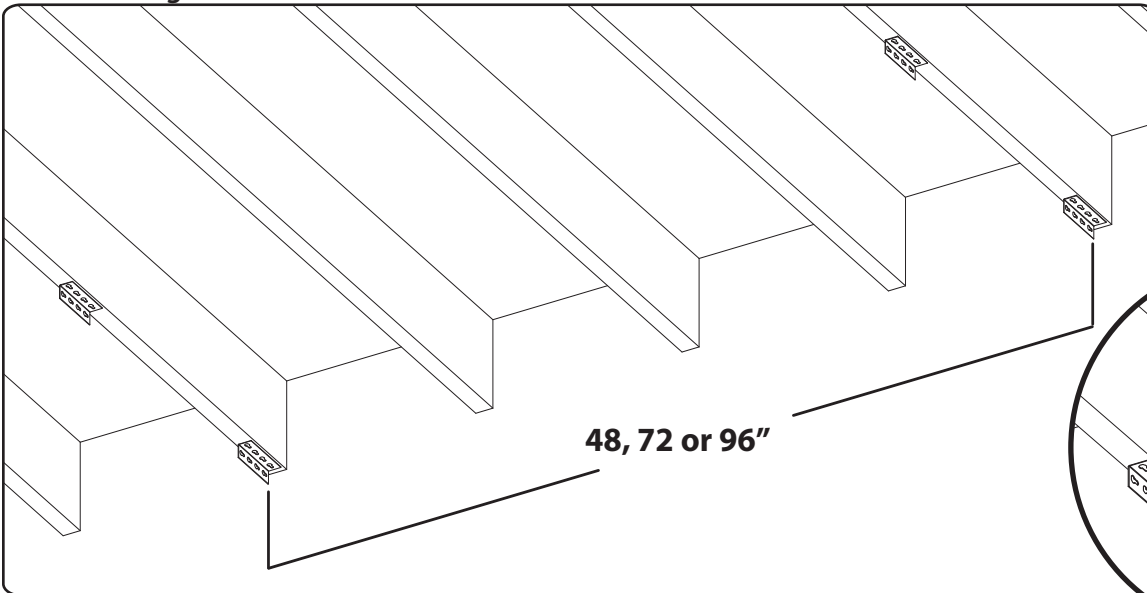


8 Répéter les étapes 1 à 4 pour installer le deuxième support de montage au plafond selon la même orientation que la première.

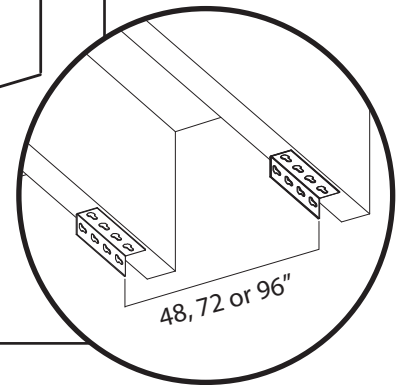


Remarque: Plafond Angles de montage doivent être mesurées à partir de la même extrémité du support.

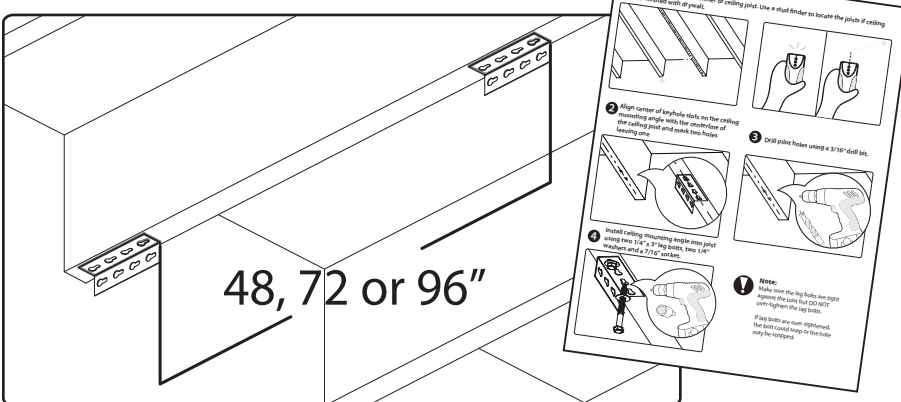
9 Selon la taille et l'orientation VersaRac qui convient le mieux à votre application, mesure 48, 72 ou 96 "du plafond installé des angles de montage pour déterminer l'emplacement du plafond restant angles de montage



Remarque: Mesurer plafond de montage angles du même côté du support



10 Répéter les étapes 1 à 4 pour installer le plafond des supports de montage restant dans la même orientation.



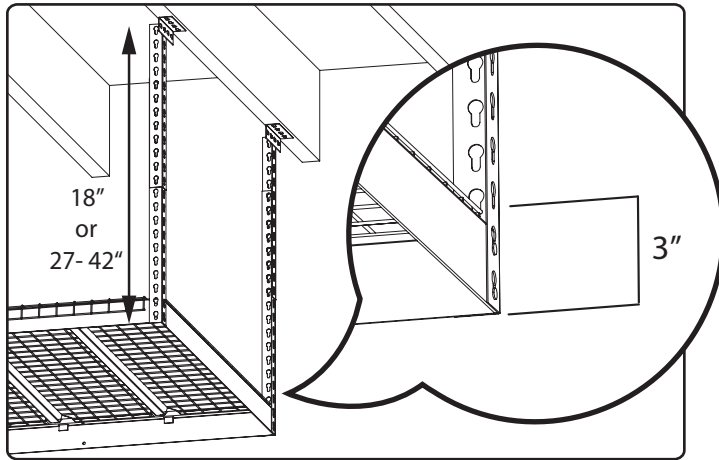
Remarque:

Si l'espacement de vos solives de plafond ne correspond pas à la taille et la direction assemblé préféré de votre installation VersaRac vous aurez besoin d'installer une poutrelle dans la bonne position.

S'il vous plaît se référer à " Installation d'une solive » à la page 12 pour installer une solive du plafond dans la position souhaitée

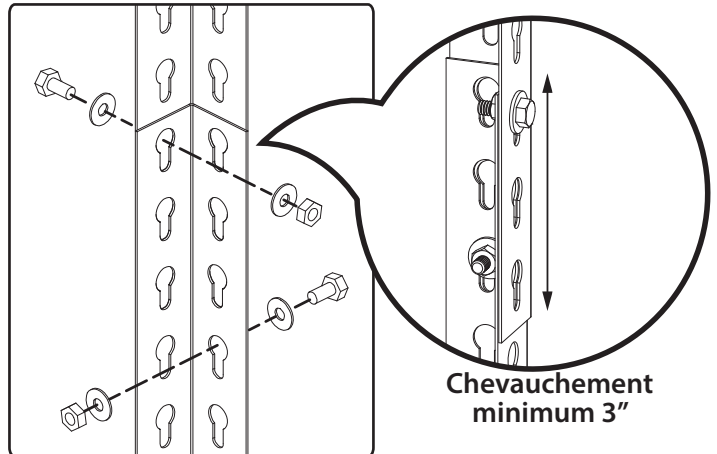
Installer les montants d'angles verticaux

- 11** Déterminer la hauteur désirée de VersaRac du plafond au fond du etagere.

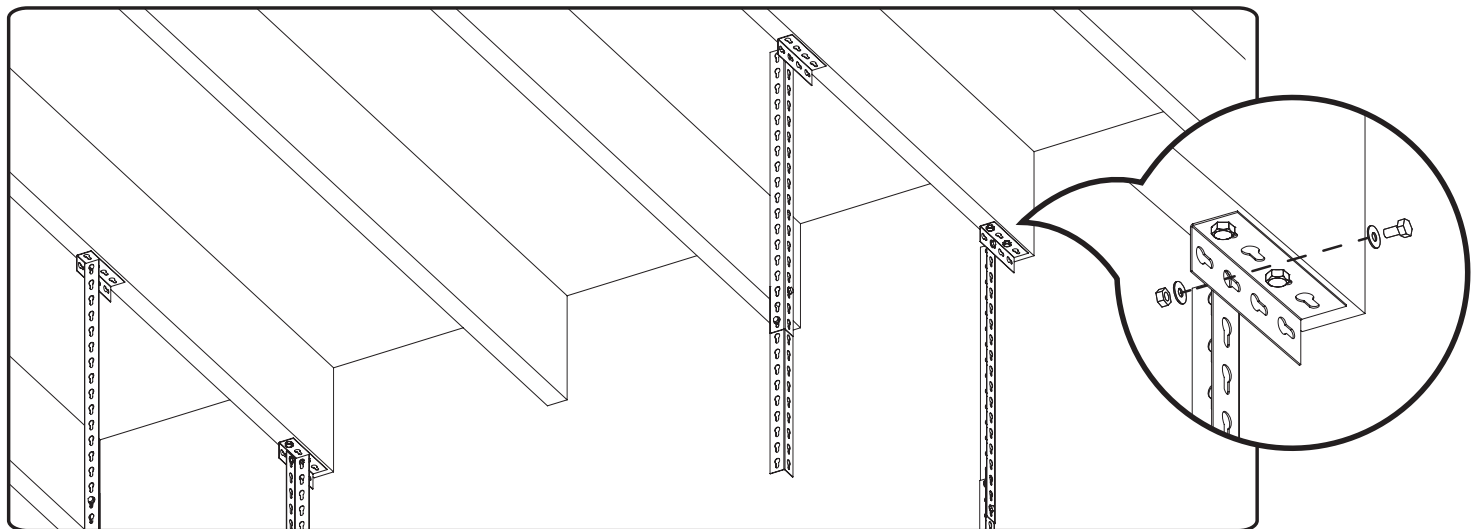


Remarque: L'espace de stockage sera de 3" plus courte que la hauteur de la VersaRac

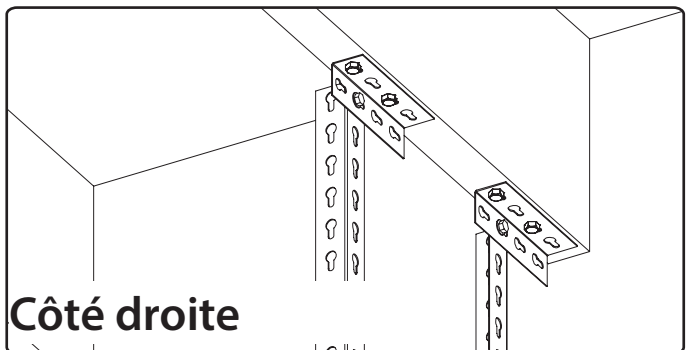
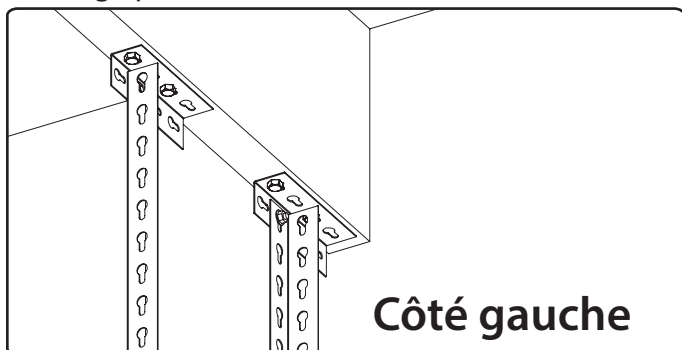
- 12** Si la hauteur désirée est supérieure à 18", Visser un «poste d'angle vertical à un 27" 18 après avec deux 1/4" x 3/4" boulons, deux 1/4" contre-écrous et quatre 1/4" rondelles. Utilisez un boulon sur chaque côté du poteau avec boutonnières dans la même direction. Répétez l'opération pour les autres postes d'angle vertical



- 13** Attaches les montants d'angles verticaux a chevrons de plafond avec la grande extrémité du trou de cle sur le dessus à l'aide d'un "x 3/4" boulon de 1/4, un " contre-écrou et deux 1/4" 1/4 rondelles pour chaque poste. poteaux d'angle vertical doivent être orientés de telle sorte qu'ils forment les coins de la VersaRac.

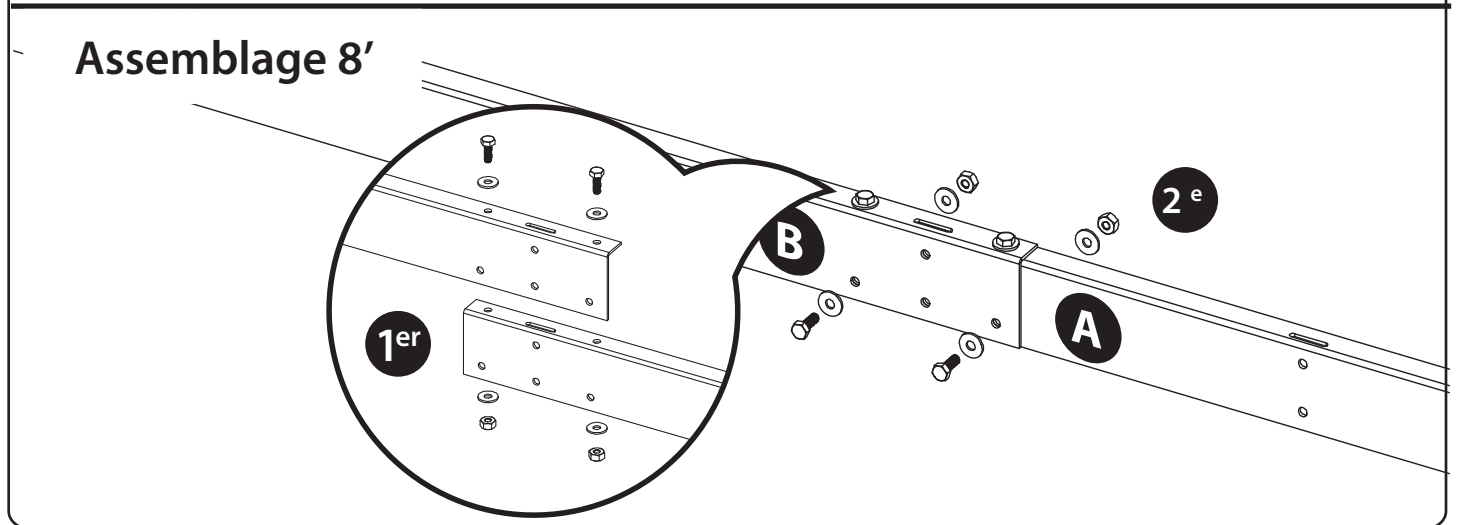
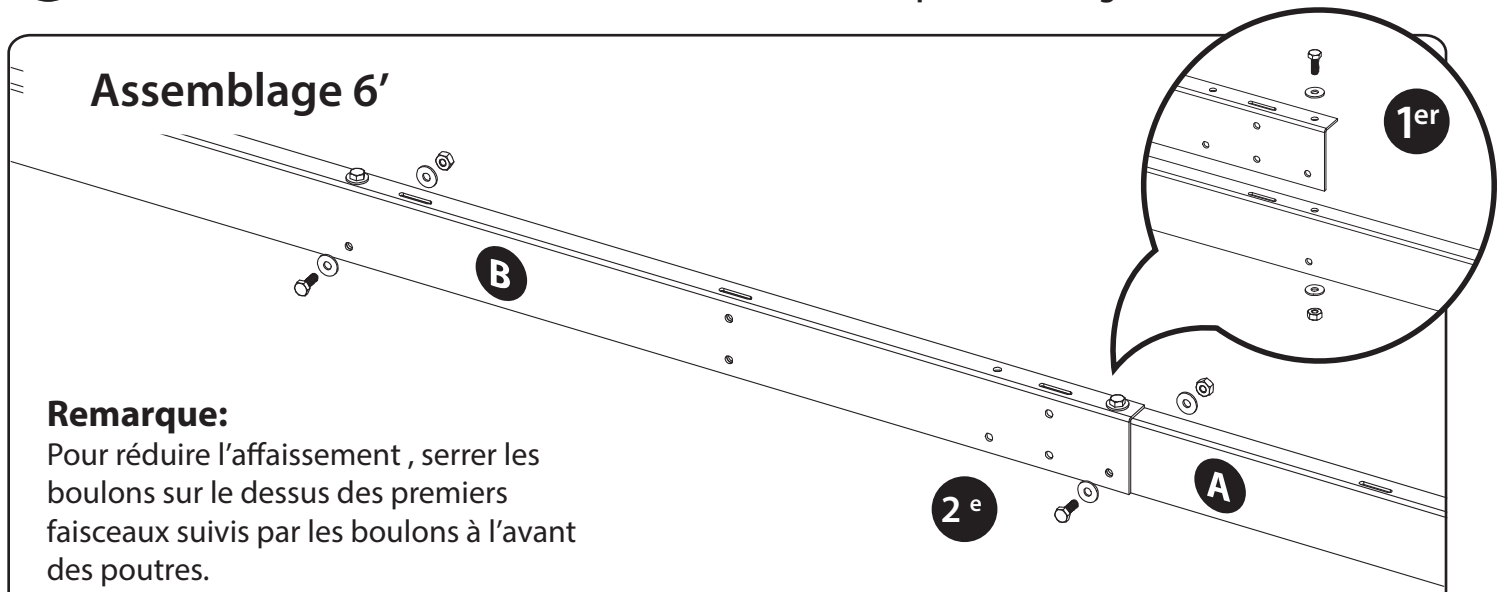


Remarque: Le montants d'angle vertical sur la gauche sera intaller sur les côtés opposés de l'équerre de montage plafond de la droite.

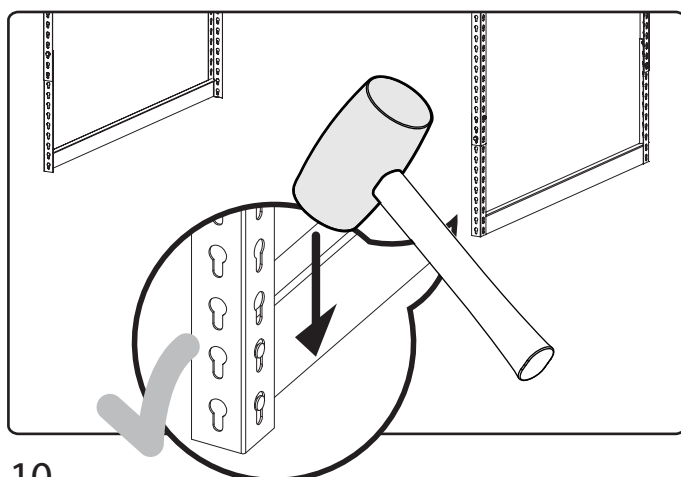


Assembler et installer les poutres de perimeters

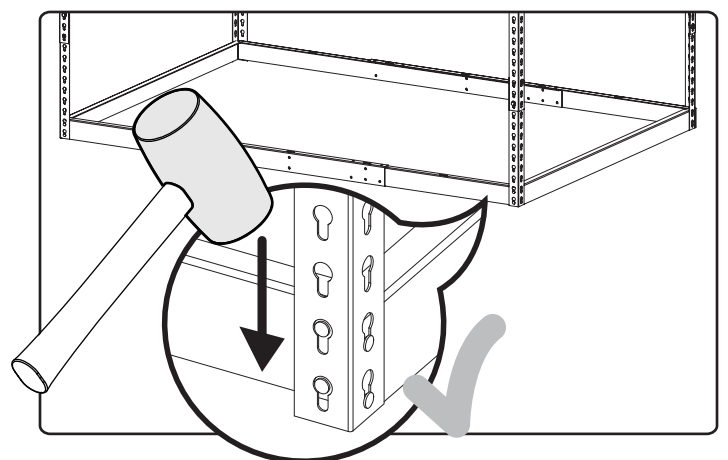
- 14** Attaches les poutres (A) et (B) à la longueur desirée, 6' ou 8' (72" ou 96") .Utilisez quatre 1/4"x 3/4" boulons et 1/4" contre-écrous avec 8 rondelles de 1/4" par assemblage.



- 15** Installer les poutres dans le bas des poteaux d'angle vertical . Utilisez un maillet en caoutchouc pour aligner les bossages de rivet avec le fond des trous de serrure

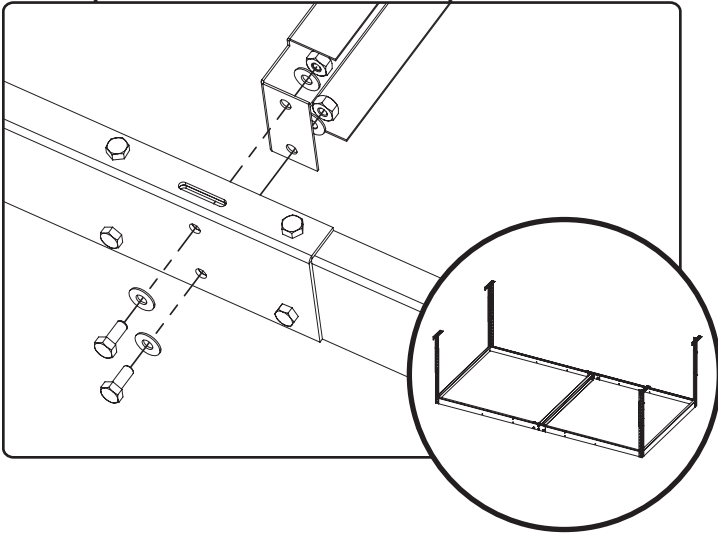


- 16** Installez les deux ensembles de long de traverses dans le bas des poteaux d'angle vertical . Utiliser un maillet en caoutchouc pour aligner les bossages de rivet avec le fond des trous de serrure .



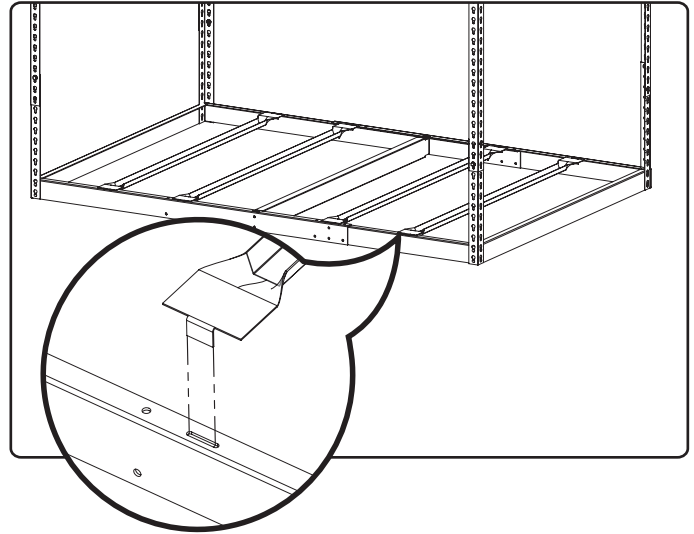
17

Visser le poutre central dans les trous dans le milieu de la 6' ou 8' assemblage. Utilisez deux 1/4" x 3/4" boulons et écrous 1/4" verrouiller avec quatre 1/4" rondelles de chaque côté.



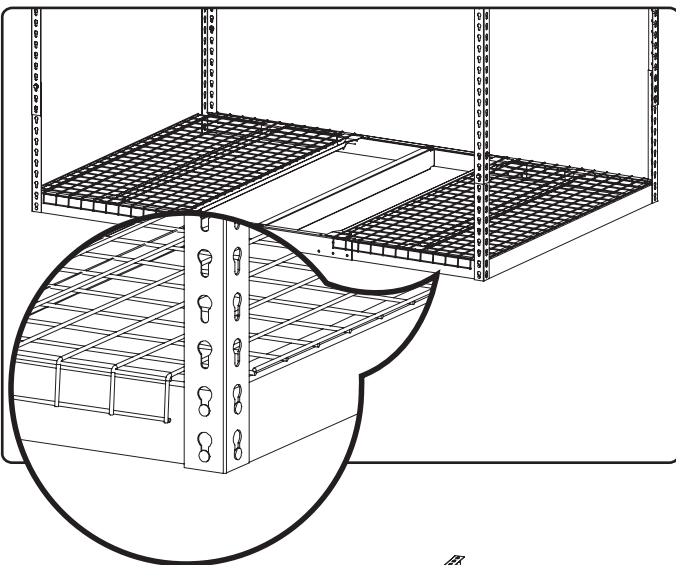
18

Placez les supports transversaux dans les fentes sur le dessus des assemblages longs de traverses



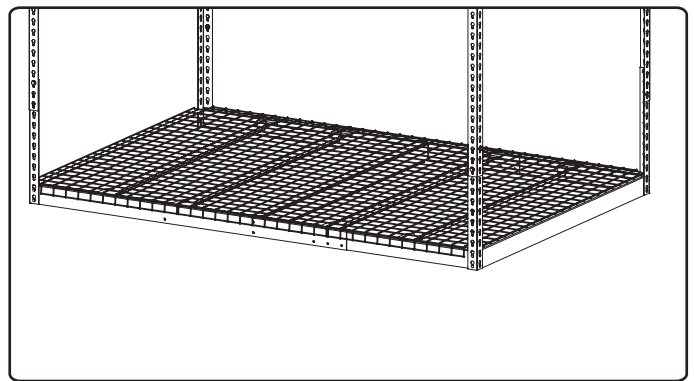
19

Placer les deux grilles métalliques avec des coins entaillés sur les extrémités de la VersaRac. Les coins entaillés devraient fournir un dégagement pour l'angle vertical.



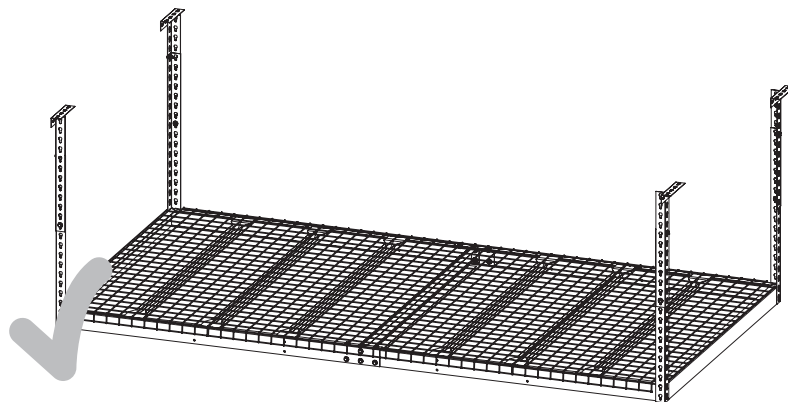
20

Pour le 6' VersaRac installer 1 grille entre les deux grilles extérieur. Pour le 8' VersaRac installer 2 grille entre les deux grilles extérieur.



Remarque:

Si l'installation de 6' VersaRac vous aurez une section de la grille restant.



Attention:

Périodiquement (au moins trimestriellement) inspecter votre unité VersaRac pour assurer les faisceaux sont correctement et les supports sont solidement reliés aux supports généraux. S'il n'y a pas de structure suffisante , enlever la tête et installer des angles de fixation du plafond dans un soutien approprié au plafond .

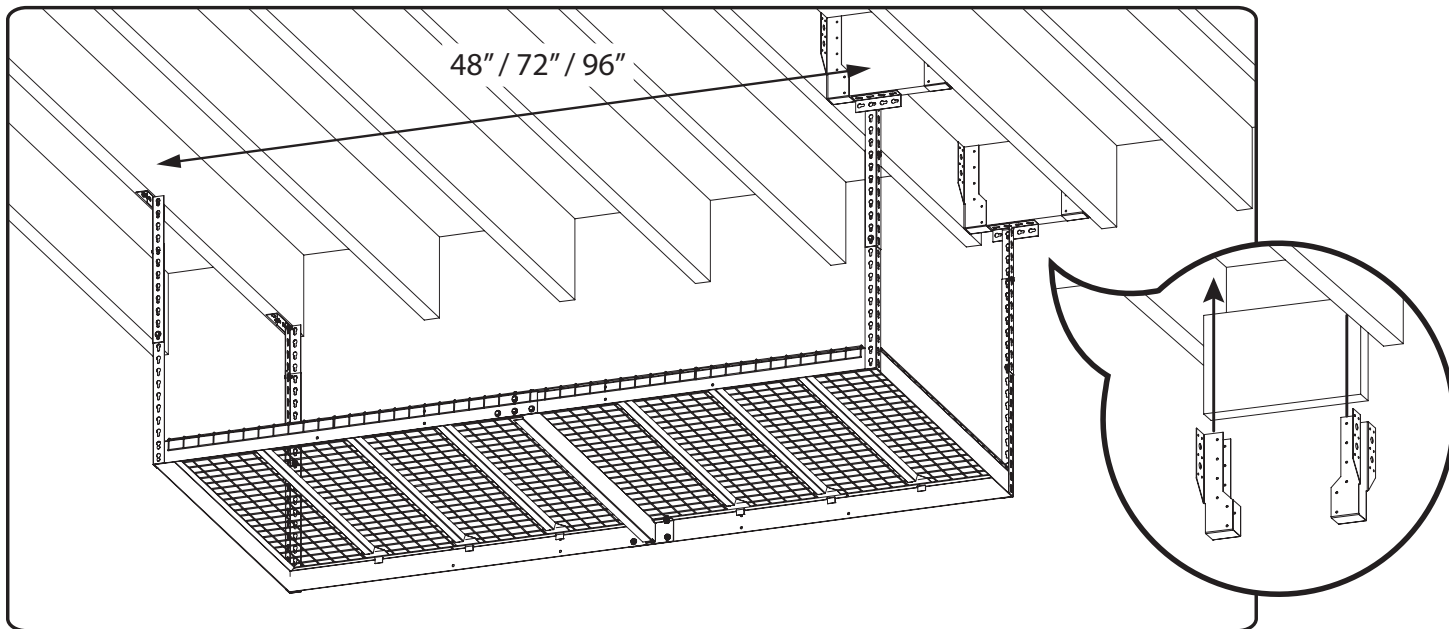


Conseils d'installation

Installation d'une poutrelle

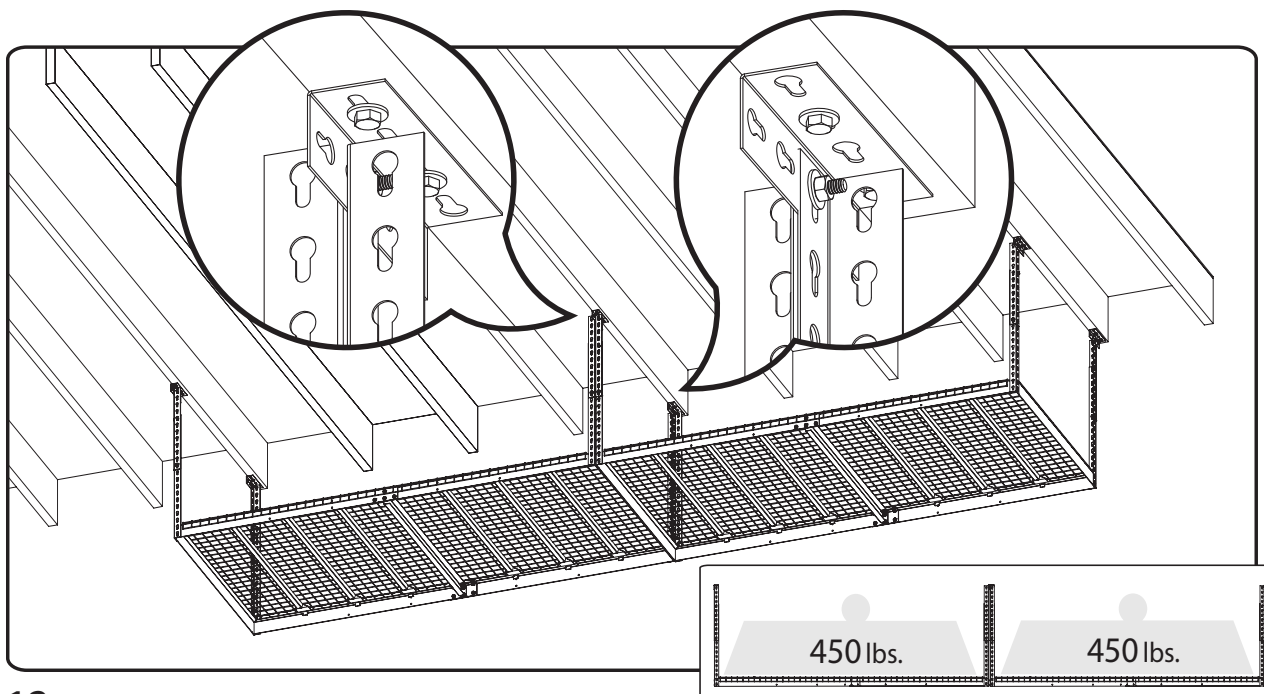
Si l'espacement de vos solives de plafond ne correspond pas à la taille désirée et la direction de votre installation VersaRac vous aurez besoin d'installer une poutrelle dans la bonne position .
Utilisation des solives de plafond appropriés , installer deux solives supplémentaires de plafond en bois à l'endroit désiré .

(Solives de plafond et solive non inclus)



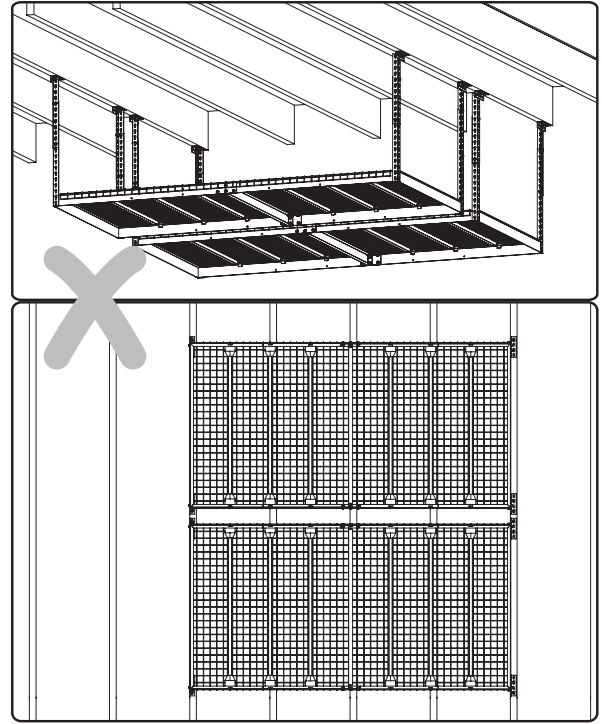
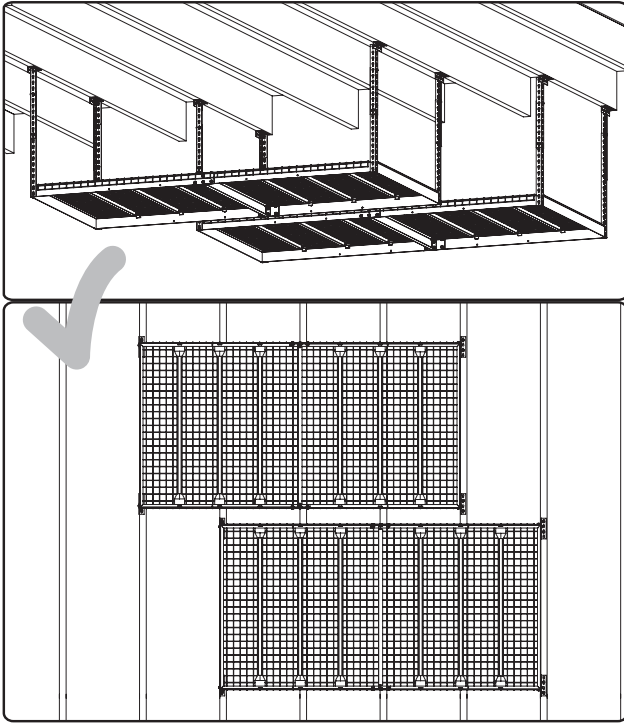
Partage d'équerre de montage de plafond

Deux VersaRac peuvent être installés avec leur 4' extrémités ensemble en partageant le plafond des angles de montage dans le milieu. Installer le VersaRac dans cette configuration réduit la capacité de poids réparti uniformément de 600lbs par rack à 450lbs par rack frais généraux .



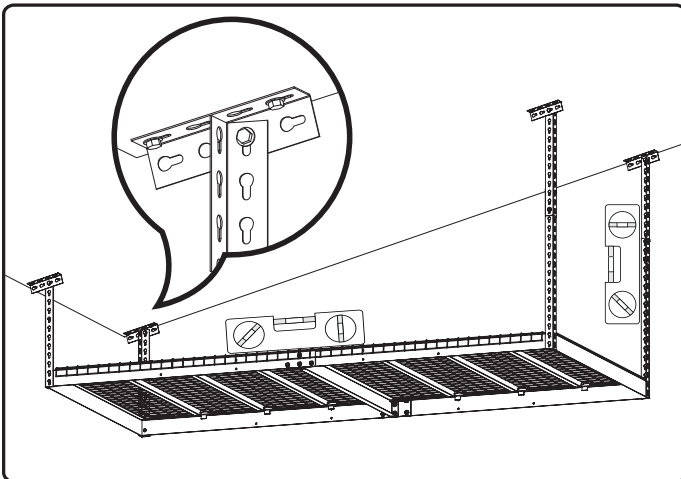
Espacement des VersaRac's

Ne jamais installer plus d'une unité VersaRac sur les deux supports généraux de solives de plafond .



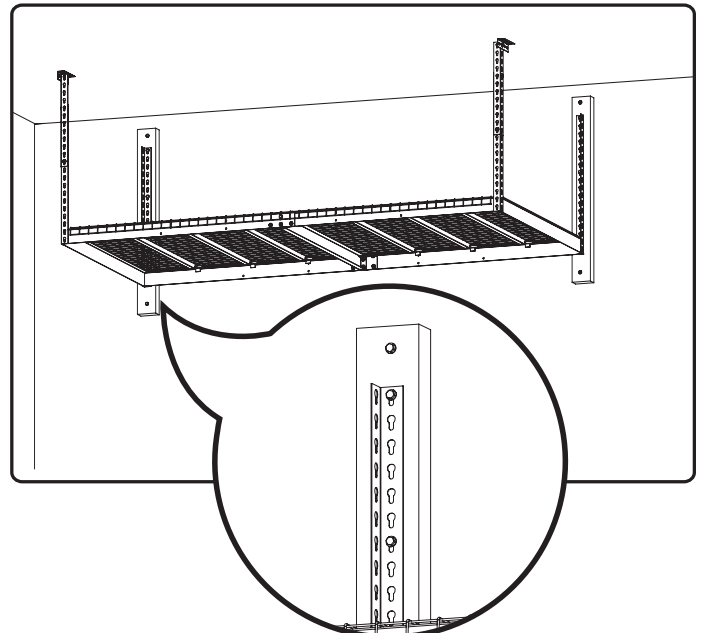
Installation sur plafond incliné

VersaRac peut être installé sur un plafond incliné en ajustant la longueur des ensembles d'angle de poteau vertical . Le VersaRac doit être installé avec une plate-forme de stockage de niveau horizontalement et verticalement au niveau des postes d'angle vertical.



Installer contre la mur

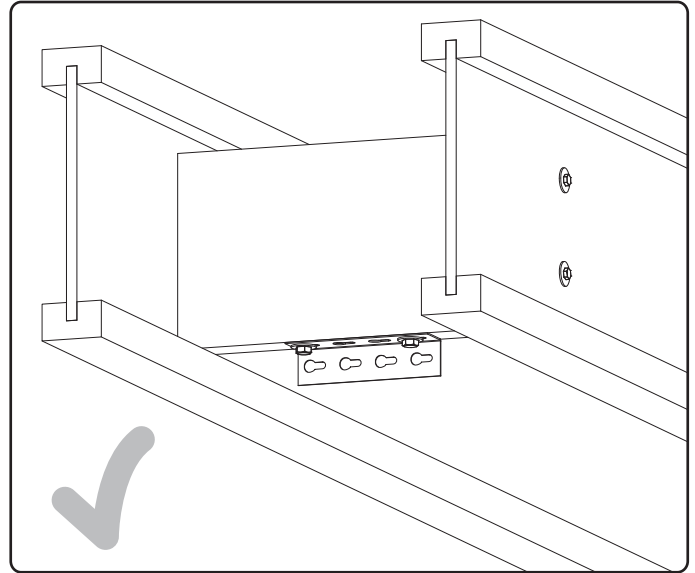
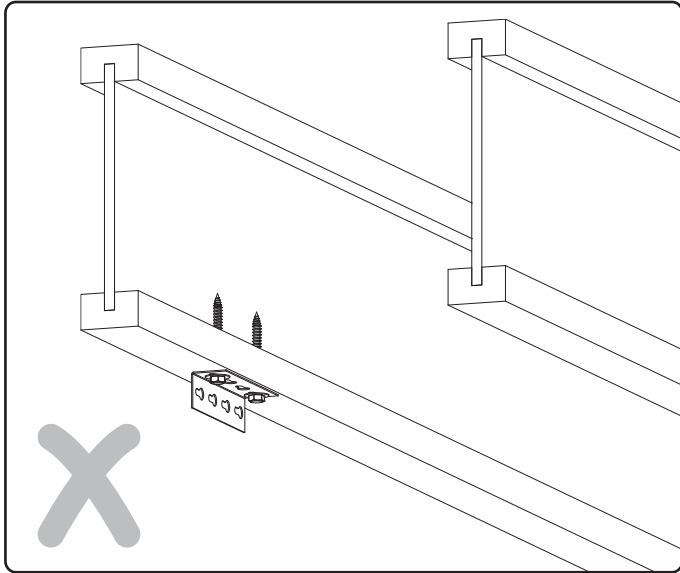
VersaRac peut être installé contre le mur à une extrémité par attacher un 2" par 4" bois entretoise contre le mur et boulonnage les cornières verticales à l'entretoise de bois . 2in par 4in entretoise de bois et du matériel supplémentaire requis non inclus .



Fixation au Ingénieur Poutrelles

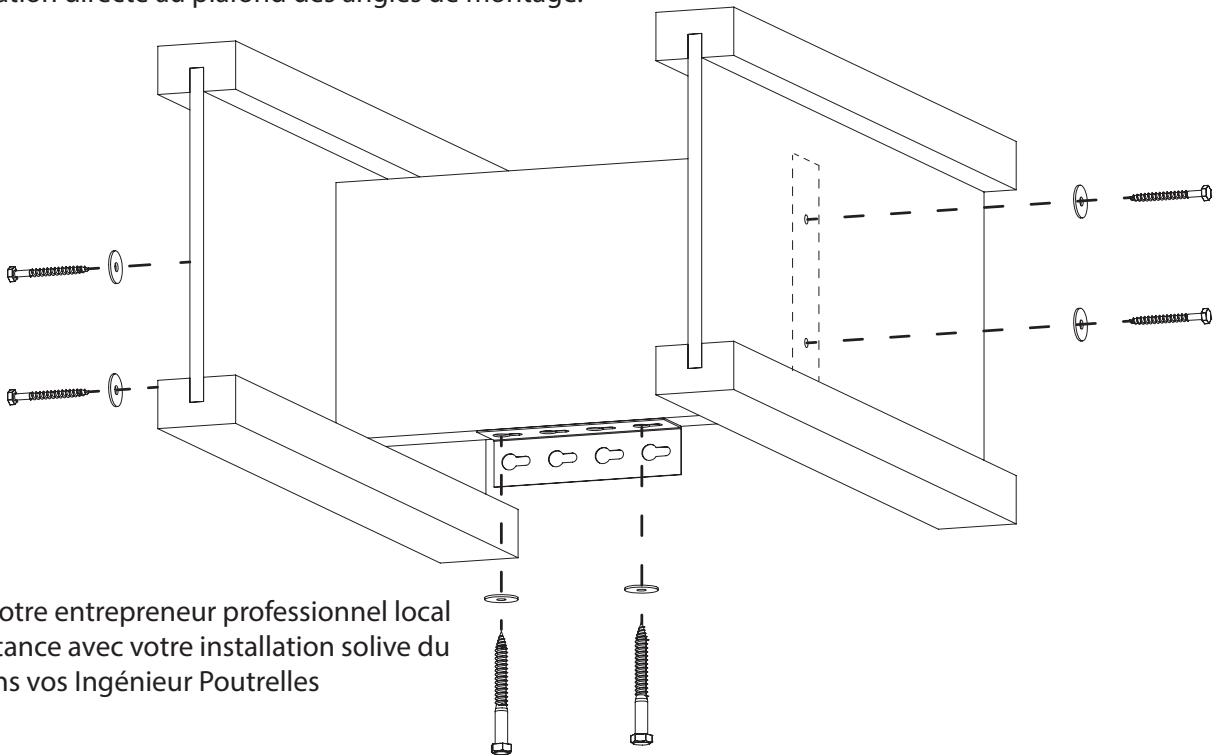
Si la construction de votre plafond utilise les solives de plafond d'ingénierie vous devez installer un solive supplémentaire (minimum 2"x 8") perpendiculaire entre deux des solives de plafond d'ingénierie.

Installez quatre solives supplémentaires de plafond en bois dans les emplacements requis pour votre plafond angles en fonction de la taille et l'orientation VersaRac de montage tel que déterminé à la page 6 (solive du plafond et du pièces fournies non inclus)



Attention:

Les poutrelles d'ingénierie ne sont pas adaptés pour la fixation directe au plafond des angles de montage.



Consulter votre entrepreneur professionnel local pour l'assistance avec votre installation solive du plafond dans vos Ingénieur Poutrelles

Nous vous remercions d'avoir acheté un produit NewAge !

S'il vous plaît appelez-nous ou visitez notre site Web si vous avez des questions.

Appelez 1.877.306.8930 ; pour le Royaume Uni 0800.031.4069 ; envoyez-nous un courriel à info@newageproducts.com