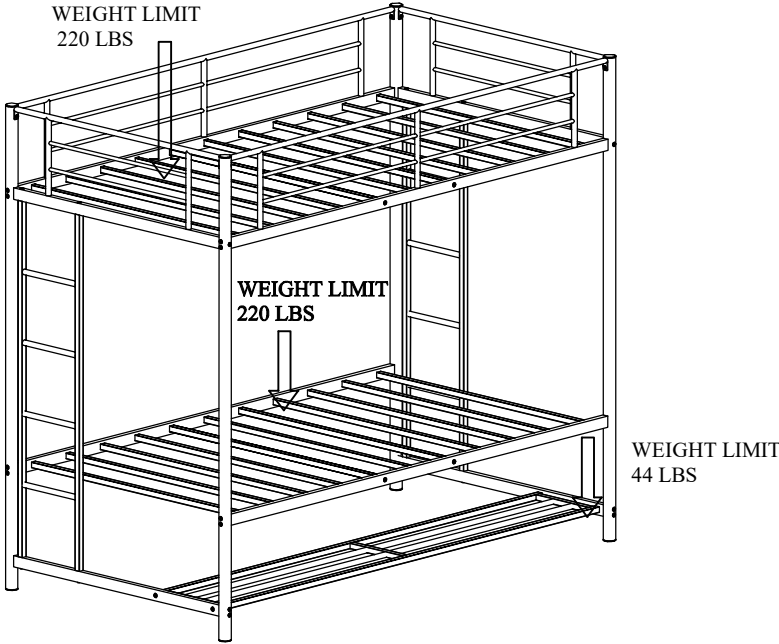


BUNK BED

ASSEMBLY INSTRUCTIONS



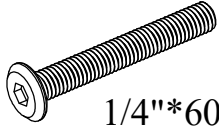
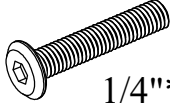
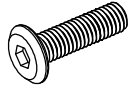
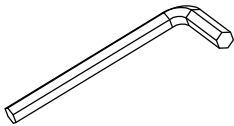
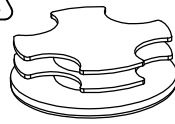
PART LIST

<p>1</p> <p>2PCS</p>	<p>2</p> <p>2PCS</p>	<p>3</p> <p>2PCS</p>	
<p>4</p> <p>2PCS</p>	<p>5</p> <p>2PCS</p>	<p>6</p> <p>2PCS</p>	
<p>7</p> <p>4PCS</p>	<p>8</p> <p>18PCS</p>	<p>9</p> <p>2PCS</p>	<p>10</p> <p>1PC</p>









BUNK BED

ASSEMBLY INSTRUCTIONS

HARDWARE LIST

 <p>A 1/4"*60 36PCS</p>	 <p>B 1/4"*40 4PCS</p>	 <p>C 1/4"*15 16PCS</p>
 <p>D 4*59 2PCS</p>	 <p>E Ø42 8PCS</p>	

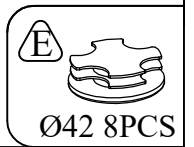
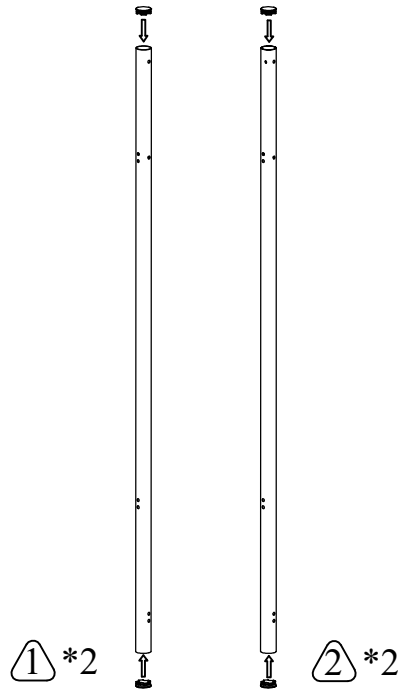
IMPORTANT SAFETY NOTICE: READ CAREFULLY BEFORE BEGINNING ASSEMBLY!

-  Do not stand on for your safety.
-  Follow the assembly steps in order. Do not skip any steps.
-  Please do not tighten any screw before each is well placed in appropriate holes.
-  Please tighten up all screws before usage to avoid any potential safety hazard.
-  Please double check to ensure all the screws are well placed in appropriate holes if any assembly issue occurs.
-  Be sure to check all packing materials carefully for small parts may have come loose inside the carton during shipment. If parts are missing, contact the retailer from which you purchased the product to obtain any missing parts. **DO NOT USE SUBSTITUTE PARTS.**
-  Keep the instructions for future reference.
-  **Warning for young children - this product contains small components. please that they are kept away from small children**

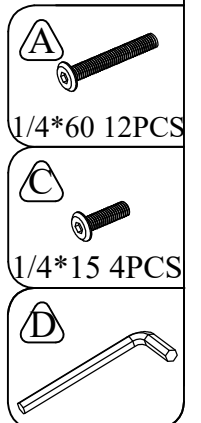
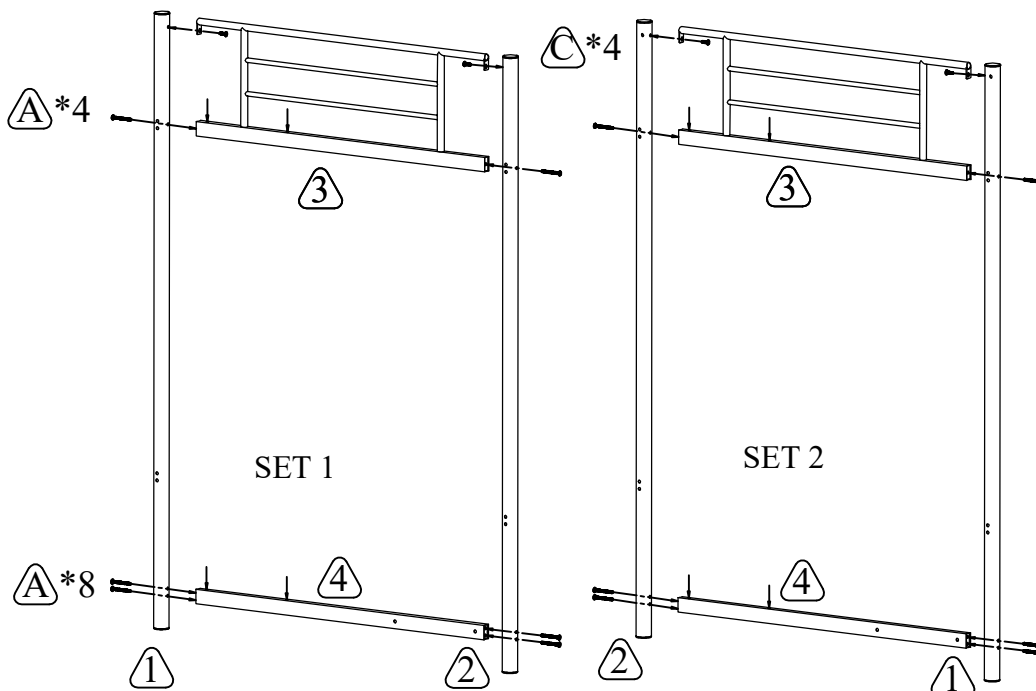
BUNK BED

ASSEMBLY INSTRUCTIONS

STEP 1



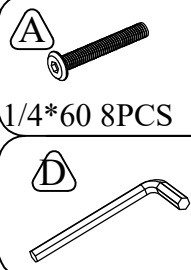
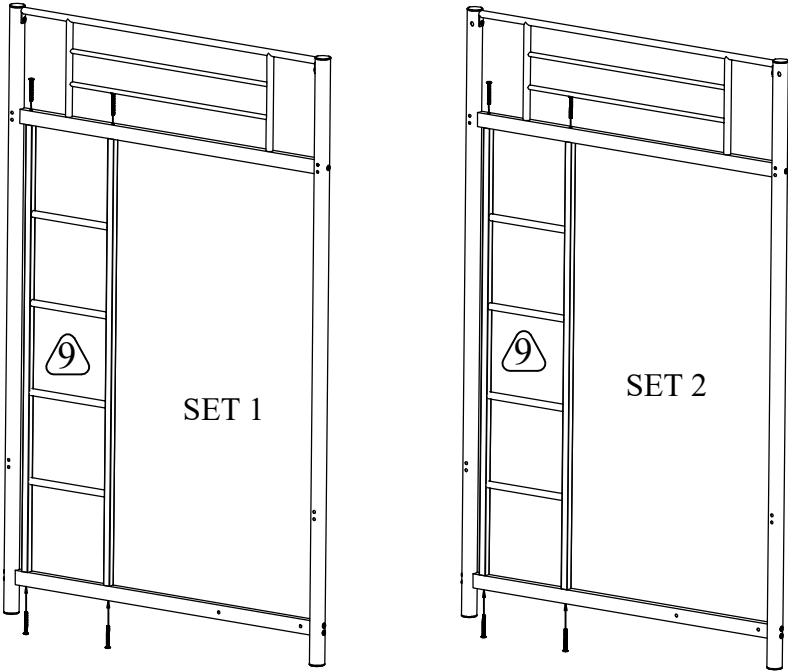
STEP 2 : 2 SET



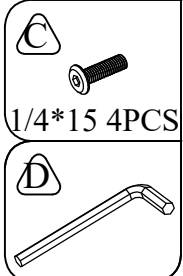
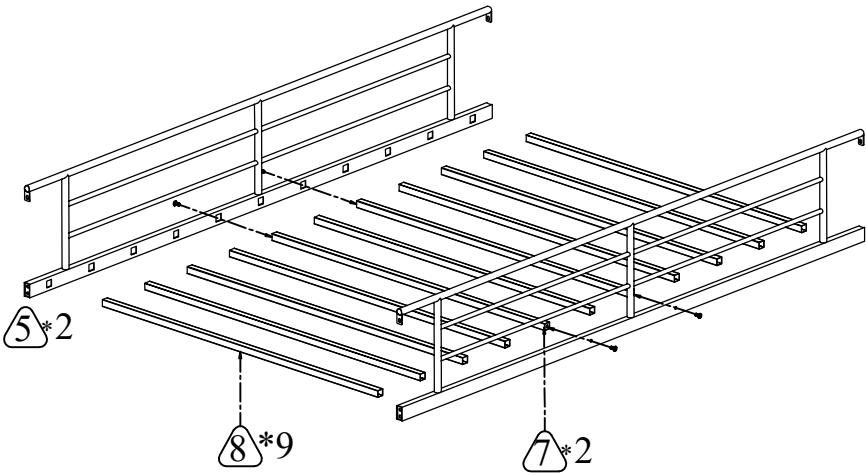
BUNK BED

ASSEMBLY INSTRUCTIONS

STEP 3



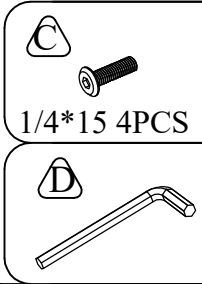
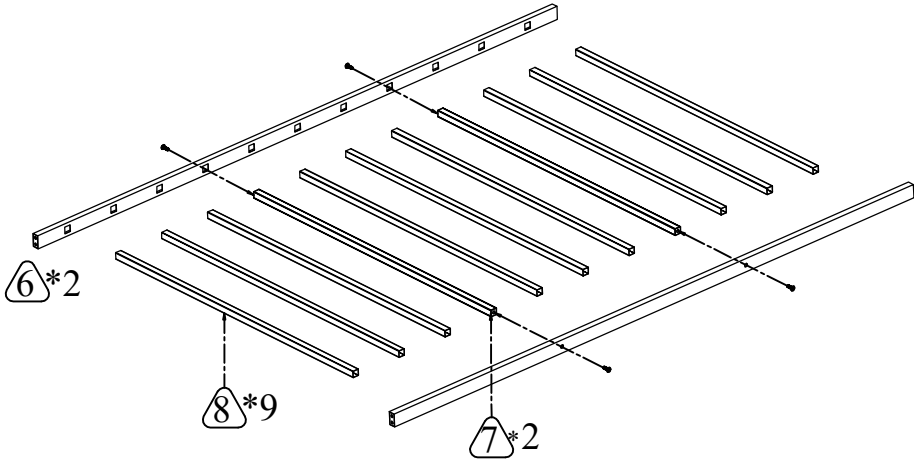
STEP 4



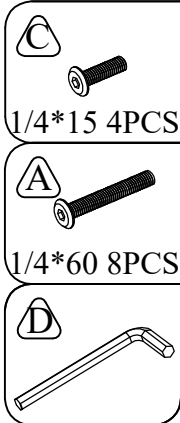
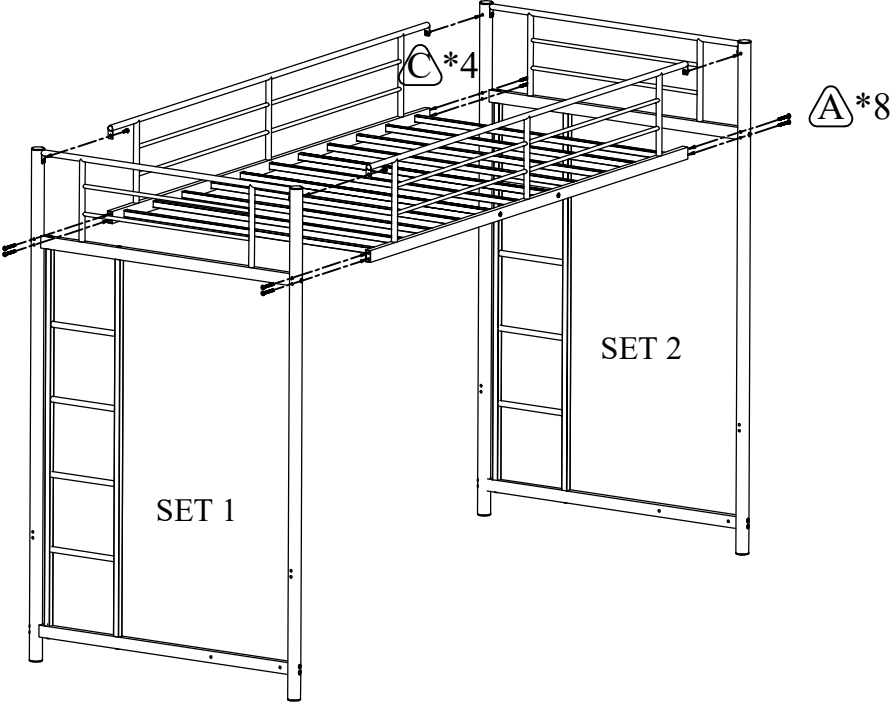
BUNK BED

ASSEMBLY INSTRUCTIONS

STEP 5



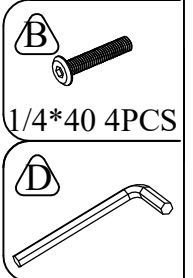
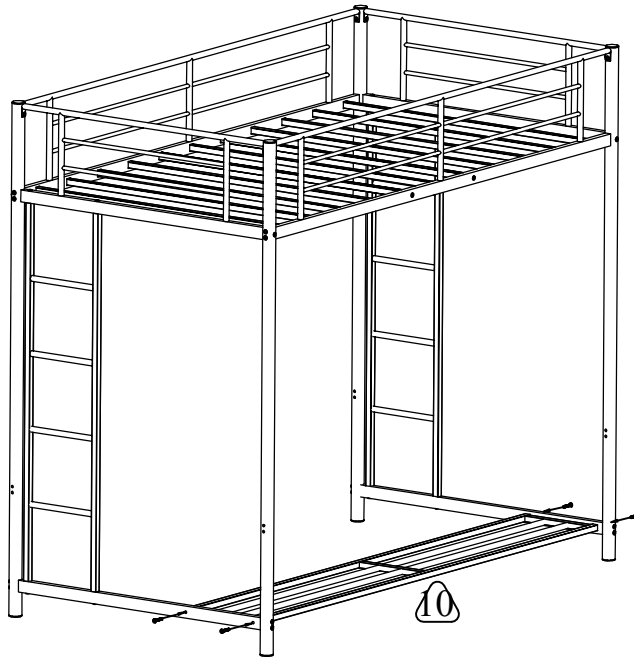
STEP 6



BUNK BED

ASSEMBLY INSTRUCTIONS

STEP 7



STEP 8

