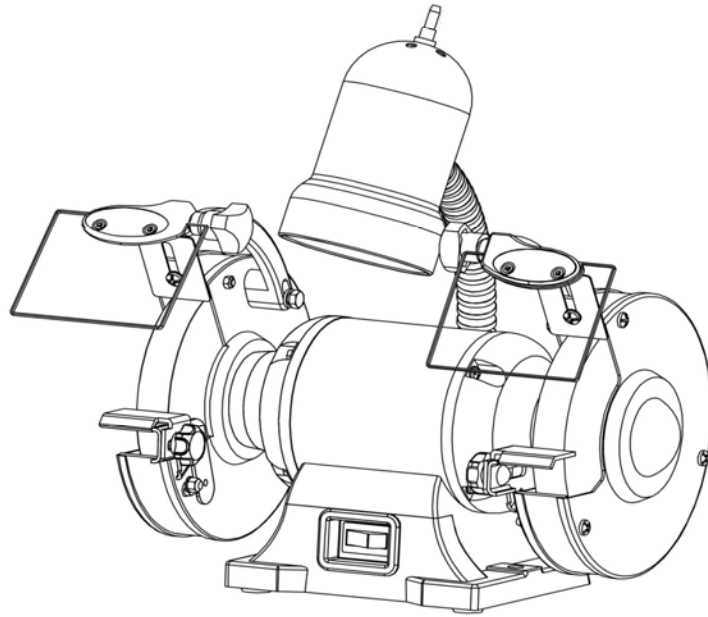


WEN

OPERATOR'S MANUAL

6" Bench Grinder

Model # 4276



⚠ IMPORTANT:

Your new tool has been engineered and manufactured to WEN's® high standards for dependability, ease of operation, and operator safety. Properly cared for, it will give you years of rugged, trouble-free performance.

Pay close attention to the Rules for Safe Operation, Warnings, and Cautions. If you use your tool properly and only for what it is intended, you will enjoy years of safe, reliable service.



It's not how, it's WEN the project get's done!

Have product questions or need technical support? Please feel free to contact us!



WenProducts.com



800- 232-1195 M-F 8:00 am - 5:00 pm CST



techsupport@wenproducts.com

CONTENTS

Technical data.....	2
General safety rules.....	3
Specific safety rules for bench grinder.....	5
Electrical information.....	7
Carton contents.....	9
Know your bench grinder.....	10
Assembly.....	11
Operation.....	12
Maintenance.....	13
Exploded view.....	14
Parts list.....	15
Warranty.....	16

TECHNICAL DATA

6" Bench Grinder

Model:	4276
Motor:	120 V, 60 Hz, 2.1A, 1/3 HP
Speed:	3450 RPM (no load)
Wheel size:	6"x3/4"
Arbor size:	1/2"
Wheel Grits:	#36 (Coarse) / #60 (Medium)
Lamp:	120V, 40W (Bulb not included)
Weight:	16 lb

GENERAL SAFETY RULES

GENERAL SAFETY INSTRUCTIONS

Operating a bench grinder can be dangerous if safety and common sense are ignored. The operator must be familiar with the operation of the tool. Read this manual to understand this bench grinder. **DO NOT** operate this Bench Grinder if you do not fully understand the limitations of this tool. **DO NOT** modify this bench grinder in any way.

BEFORE USING THE BENCH GRINDER



WARNING: To avoid serious injury and damage to the tool, read and follow all of the Safety and Operating Instructions before operating the Bench Grinder.



WARNING:

1. **SOME DUST** created by using power tools contains chemicals known to the State of California to cause cancer, birth defects, or other reproductive harm.
Some examples of these chemicals are:
 - Lead from lead-based paints.
 - Crystalline silica from bricks, cement, and other masonry products.
 - Arsenic and chromium from chemically treated lumber.Your risk from these exposures varies depending on how often you do this type of work. To reduce your exposure to these chemicals, work in a well-ventilated area with approved safety equipment such as dust masks specially designed to filter out microscopic particles.
2. **READ** the entire owner's manual. **LEARN** how to use the tool for its intended applications.
3. **GROUND ALL TOOLS.** If the tool is supplied with a three-prong plug, it must be plugged into a three-contact electrical receptacle. The third prong is used to ground the tool and provide protection against accidental electric shock. **DO NOT** remove the third prong.
4. **AVOID A DANGEROUS WORKING ENVIRONMENT. DO NOT** use electrical tools in a damp environment or expose them to rain.
5. **DO NOT** use electrical tools in the presence of flammable liquids or gasses.
6. **ALWAYS** keep the work area clean, well-lit, and organized. **DO NOT** work in an environment with floor surfaces that are slippery from debris, grease, and wax.
7. **KEEP VISITORS AND CHILDREN AWAY. DO NOT** permit people to be in the immediate work area, especially when operating the electrical tool.
8. **DO NOT FORCE THE TOOL** to perform an operation for which it was not designed. The tool will do a safer and higher quality job by only performing operations for which it was intended.
9. **WEAR PROPER CLOTHING. DO NOT** wear loose clothing, gloves, neckties, or jewelry. These items can get caught in the machine during operations and pull the operator into the moving parts. Longhaired users must wear a protective cover on their hair to prevent it from contacting any moving parts.
10. **CHILDPROOF THE WORKSHOP AREA** by removing switch keys, unplugging tools from the electrical receptacles, and using padlocks.
11. **DO NOT** use electrical tools in the presence of flammable liquids or gasses.

12. **ALWAYS UNPLUG THE TOOL FROM THE ELECTRICAL RECEPTACLE** when making adjustments, changing parts, or performing maintenance.
13. **KEEP PROTECTIVE GUARDS IN PLACE AND IN WORKING ORDER.**
14. **AVOID ACCIDENTAL STARTING.** Make sure that the power switch is in the OFF position before plugging in the power cord to the electrical receptacle.
15. **REMOVE ALL MAINTENANCE TOOLS** from the immediate area prior to turning on the Bench Grinder.
16. **USE ONLY RECOMMENDED ACCESSORIES.** Use of incorrect or improper accessories could cause serious injury to the operator and damage to the tool. When in doubt, check the instruction manual that comes with that particular accessory.
17. **NEVER LEAVE A RUNNING TOOL UNATTENDED.** Turn the power switch to the OFF position. Do not leave the tool until it has come to a complete stop.
18. **DO NOT STAND ON A TOOL.** Serious injury could result if the tool tips over or you accidentally contact the tool.
19. **DO NOT** store anything above or near the tool to ensure that no one stands on the tool for better reach.
20. **MAINTAIN YOUR BALANCE. DO NOT** extend yourself over the tool. Wear oil resistant rubber soled shoes. Keep floor clear of debris, grease, and wax.
21. **MAINTAIN TOOLS WITH CARE.** Always keep tools clean and in good working order. Keep all blades and tool bits sharp.
22. **EACH AND EVERY TIME, CHECK FOR DAMAGED PARTS PRIOR TO USING THE TOOL.** Carefully check all guards to see that they are not damaged and properly performing their intended functions. Check for alignment, binding, or breaking of moving parts. A guard or other part that is damaged should be immediately repaired or replaced.
23. **CHILDPROOF THE WORKSHOP AREA** by removing switch keys, unplugging tools from the electrical receptacles, and using padlocks.
24. **SECURE ALL WORK.** Use clamps or jigs to secure the workpiece. This is safer than attempting to hold the workpiece with your hands.
25. **STAY ALERT! WATCH WHAT YOU ARE DOING AND USE COMMON SENSE WHEN OPERATING A POWER TOOL. DO NOT USE A TOOL WHILE TIRED OR UNDER THE INFLUENCE OF DRUGS, ALCOHOL, OR MEDICATION.** A moment of inattention while operating power tools may result in serious personal injury.
26. **ALWAYS WEAR A DUST MASK TO PREVENT INHALING DANGEROUS DUST OR AIRBORNE PARTICLES** including wood dust, crystalline silica dust and asbestos dust. Direct particles away from face and body. Always operate tool in a well-ventilated area and provide for proper dust removal. Use dust collection system wherever possible. Exposure to dust may cause serious and permanent respiratory damage or other injury, including silicosis (a serious lung disease), cancer, and death. Avoid breathing and prolonged contact with dust. Allowing dust to get into your mouth, eyes, or onto your skin may result in absorption of harmful material. Always use properly fitting NIOSH/OSHA-approved respiratory protection for dust exposure. Wash exposed areas with soap and water.
27. **USE SAFETY GOGGLES AT ALL TIMES** that comply with ANSI Z87.1. Normal safety glasses only have impact resistant lenses and are not designed for safety. Wear a face or dust mask when working in a dusty environment. Use ear protection, such as plugs or muffs, during extended periods of operation.



SAVE THESE INSTRUCTIONS

SPECIFIC SAFETY RULES FOR BENCH GRINDER

1. **USE GRINDING WHEELS** suitable for the speeds of the grinder.
2. **STAND BESIDE** the bench grinder during start-up, not directly in front.
3. **DO NOT REMOVE THE WHEEL GUARD.**
4. **DO NOT USE THE GRINDING WHEEL TO CUT ANYTHING.**
5. **DO NOT USE ANYTHING TO STRESS THE GRINDING WHEEL.**
6. **USE A GRINDING WHEEL DRESSING TOOL** to shape or remove glaze from grinding wheels.
7. **ADJUST DISTANCE** between wheel and tool rest to maintain at most a 1/8-inch (3.2 mm) separation as the diameter of the wheel decreases with usage.
8. **CONNECT TO A SUPPLY CIRCUIT** protected by a circuit breaker or time-delay fuse.
9. **SECURE THE BENCH GRINDER** to its supporting surface to prevent the grinder from tipping over, sliding, or walking on its supporting surface.
 - Replace a cracked wheel immediately.
 - Always use the guards and eye shields.
 - Do not overtighten the wheel nut.
 - Use only flanges furnished with this grinder.
10. **ALWAYS INSPECT GRINDING WHEELS** prior to use for cracks, missing pieces, etc. Replace wheel immediately before use if imperfections are present.
11. **USE ONLY GRINDING WHEELS** that comply with ANSI B7.1 and rated greater than 3550 RPM.
12. **GUARD AGAINST ELECTRICAL SHOCK** by preventing body contact with grounded surfaces. For example: pipes, radiators, ranges, refrigerator enclosures.
13. **DO NOT** use wheels with incorrect size holes. **NEVER** use wheel washers or wheel screws that are defective or incorrect, and **NEVER** touch a grinding wheel or other moving parts.
14. **NEVER** reach to pick up a workpiece, a piece of scrap, or anything else that is in or near the grinding path of the wheel.
15. **AVOID AWKWARD OPERATIONS AND HAND POSITIONS** where a sudden slip could cause your hand to move into the wheel. **ALWAYS** make sure you have good balance.
16. **NEVER** stand or have any part of your body in line with the path of the wheel.

17. **DO NOT USE TOOL IF SWITCH DOES NOT TURN IT ON AND OFF.** Have defective switches replaced by an authorized service center.
18. **DO NOT TURN THE MOTOR SWITCH ON AND OFF RAPIDLY.** This could cause the wheel to loosen and create a hazard. Should this ever occur, stand clear and allow the wheel to come to a complete stop. Disconnect your grinder from the power supply and retighten the wheel nut securely.
19. **RISK OF INJURY DUE TO ACCIDENTAL STARTING.** Do not use in an area where children may be present.
20. **NEVER START THE GRINDER** when the wheel is in contact with the workpiece.
21. **SECURE WORK.** Always hold the workpiece firmly against the work rest.
22. **DO NOT USE THE BENCH GRINDER** if the flange nut or clamp nut is missing or if the spindle shaft is bent.
23. **FREQUENTLY** clean grinding dust from beneath the grinder.
24. **DO NOT OPERATE THIS TOOL WHILE UNDER THE INFLUENCE OF DRUGS, ALCOHOL OR ANY MEDICATION.**
25. **ALWAYS STAY ALERT.** Do not allow familiarity to cause a careless mistake. Always remember that a careless fraction of a second is sufficient enough to inflict severe injury.
26. **STAY ALERT AND EXERCISE CONTROL.** Watch what you are doing and use common sense. Do not operate the tool when you are tired. Do not rush.
27. **SAVE THESE INSTRUCTIONS.** Refer to them frequently and use them to instruct other users. If you loan someone this tool, loan them these instructions also.
28. **ALWAYS EASE THE WORKPIECE AGAINST THE ABRASIVE WHEEL** when starting to grind. A harsh impact can break the wheel. Use light pressure when starting to grind. Too much pressure on a cold wheel can cause the wheel to crack.
29. **USE ONLY FLANGES** furnished with this bench grinder.
30. **IF ANY PART OF THIS GRINDER IS MISSING,** broken, bent, or damaged in any way, or if any electrical component fails to perform properly, shut off the power switch, remove the machine plug from the power source and have the damaged, missing, or failed parts replaced before operation.
31. **THE SAFETY EYESHIELDS AND SPARK DEFLECTORS** are adjustable for operator convenience. Operating the grinder without these features attached could result in serious injury. Do not grind with the safety eyeshield raised. Always wear safety glasses for personal protection.
32. **THE WORK RESTS** are independently adjustable to compensate for wheel wear. Before grinding, make certain the work rests are adjusted properly. Generally, the object being ground is done slightly above the center of the grinding wheel.

33. **LAWN MOWER BLADES** are usually sharpened on only one edge and dressed up slightly on the other. Perform this sharpening process on both cutting ends of the blade. After sharpening, balance the blade by removing additional material.

ELECTRICAL INFORMATION

Grounding instructions

IN THE EVENT OF A MALFUNCTION OR BREAKDOWN, grounding provides the path of least resistance for electric current and reduces the risk of electric shock. This tool is equipped with an electric cord that has an equipment grounding conductor and a grounding plug. The plug **MUST** be plugged into a matching outlet that is properly installed and grounded in accordance with ALL local codes and ordinances.

DO NOT MODIFY THE PLUG PROVIDED. If it will not fit the outlet, have the proper outlet installed by a licensed electrician.

IMPROPER CONNECTION of the equipment grounding conductor can result in electric shock. The conductor with the green insulation (with or without yellow stripes) is the equipment grounding conductor. If repair or replacement of the electric cord or plug is necessary, **DO NOT** connect the equipment grounding conductor to a live terminal.

CHECK with a licensed electrician or service personnel if you do not completely understand the grounding instructions or whether the tool is properly grounded.

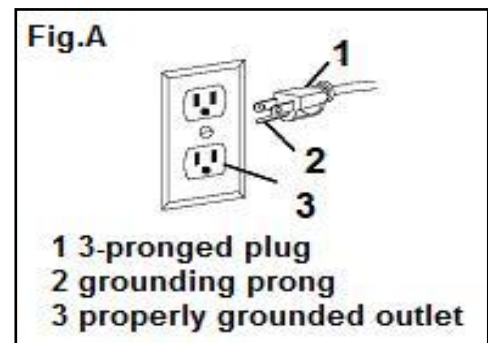
USE ONLY THREE-WIRE EXTENSION CORDS that have three-pronged plugs and outlets that accept the tool's plug as shown in Fig. A. Repair or replace a damaged or worn cord immediately.

CAUTION: In all cases, make certain the outlet in question is properly grounded. If you are not sure, have a licensed electrician check the outlet.



WARNING: This tool is for indoor use only. Do not expose to rain or use in damp locations.
Guidelines for using extension cords

Make sure your extension cord is in good condition. When using an extension cord, be sure to use one heavy enough to carry the current your product will draw. An undersized cord will cause a drop in line voltage resulting in loss of power and overheating. The table below shows the correct size to be used according to cord length and nameplate ampere rating. When in doubt, use the next heavier gauge. The smaller the gauge number, the heavier the cord.



Minimum Gauge for Extension Cords (AWG)
(When using 120 V only)

Ampere Rating	Total Length of Cord in feet			
	25'	50'	100'	150'
0 – 6 Amps	18 gauge	16 gauge	16 gauge	14 gauge
6 – 10 Amps	18 gauge	16 gauge	14 gauge	12 gauge
10 – 12 Amps	16 gauge	16 gauge	14 gauge	12 gauge
12 – 16 Amps	14 gauge	12 gauge	Not Recommended	

Make sure your extension cord is properly wired and in good condition. Always replace a damaged extension cord or have it repaired by a qualified person before using it.

Protect your extension cords from sharp objects, excessive heat and damp/wet areas.

Use a separate electrical circuit for your tools. This circuit must not be less than a #12 wire and should be protected with a 15 A time-delayed fuse. Before connecting the motor to the power line, make sure the switch is in the OFF position and the electric current is rated the same as the current stamped on the motor nameplate. Running at a lower voltage will damage the motor.



WARNING: This tool must be grounded while in use to protect the operator from electric shock.

CARTON CONTENTS

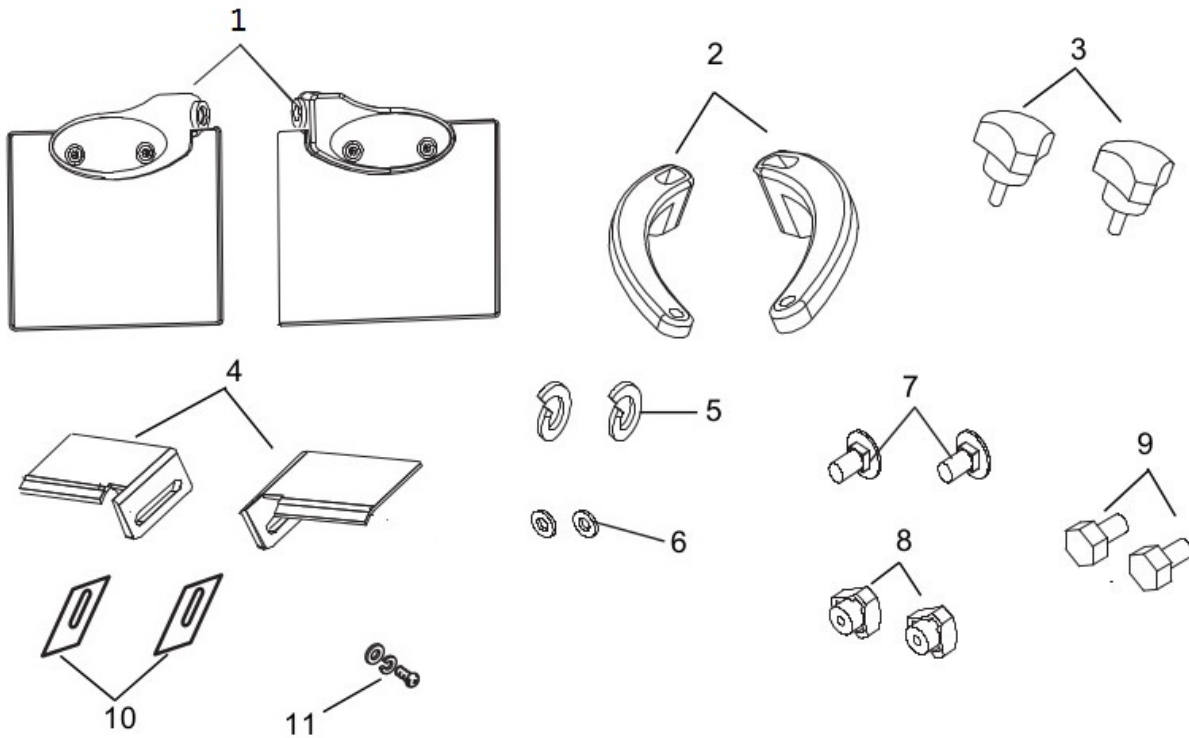
UNPACKING AND CHECKING CONTENTS

This bench grinder requires a minimal amount of assembly:

1. Remove parts from all of the cartons and lay them on a clean work surface.
2. Remove any protective materials and coatings from the bench grinder and its parts. The protective coatings can be removed by spraying on WD-40 and wiping it off with a soft cloth. This may need to be redone several times before all of the protective coatings are removed completely.

CAUTION: Do not use acetone, gasoline or lacquer thinner to remove any protective coatings.

3. Compare the items below; verify that all items are accounted for before discarding the shipping box. If there are any missing parts, call our customer helpline at 1-800-232-1195 (Mon.-Fri. 8AM-5PM CST).

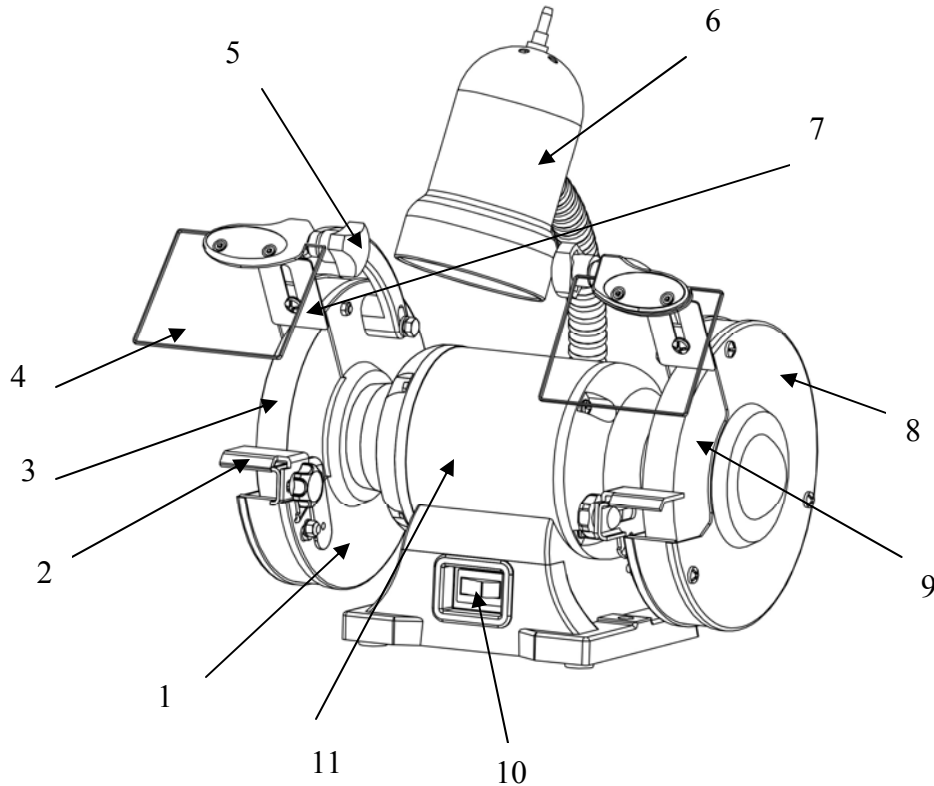


WARNING: If any parts are missing, do not attempt to plug in the power cord and turn on the Bench Grinder. The Bench Grinder can only be turned on after all the parts have been obtained and installed correctly.

The following items are to be provided in the shipping box:

1. Eye Shield Assembly (2)
2. Eye Shield Bracket (2)
3. Locking Knob M5 (2)
4. Tool Rest (2)
5. Lock Washer 6 (2)
6. Flat Washer 6 (2)
7. Carriage Head Screw M6x14 (2)
8. Tool Rest Knob M6 (2)
9. Hex Head Bolt M6x30 (2)
10. Spark Deflector (2)
11. Screw, Flat Washer and Spring Washer Kit (2)

KNOW YOUR BENCH GRINDER



- 1 **INNER WHEEL GUARD** - Covers the grinding wheels and protects against accidental contact.
- 2 **TOOL RESTS** - Used to support the workpiece that is being ground. Adjustable to provide angled surfaces.
- 3 **GRINDING WHEEL 36 GRIT** - Used to remove heavy material from workpiece.
- 4 **EYESHIELD** - Protective Lexan see-thru shields to prevent any loose debris from contacting the operator.
- 5 **LOCKING KNOB** - Lock the eyeshield in position.
- 6 **FLEXIBLE WORK LIGHT** - Provides light to the operator during set up or grinding operations.

- 7 **SPARK ARRESTOR** - Prevents hot sparks and debris from contacting the operator.
- 8 **WHEEL COVER** - Covers the grinding wheels and provides quick access for routine maintenance.
- 9 **GRINDING WHEEL 60GRIT** - Used to remove light material from workpiece.
- 10 **ON/OFF SWITCH** - Used to turn ON and turn OFF the grinder.
- 11 **MOTOR HOUSING** - Contains the electrical motor.

ASSEMBLY

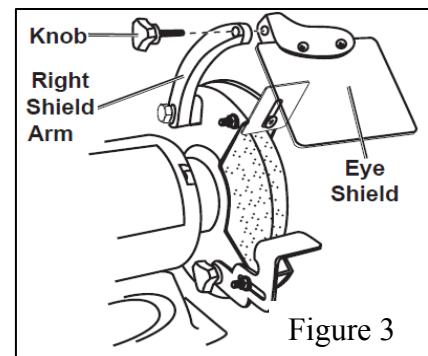
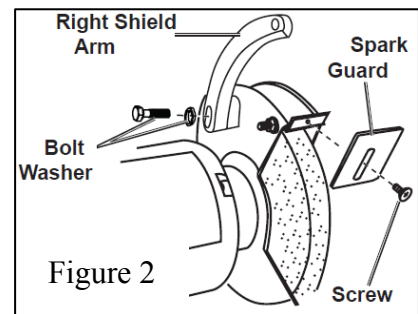
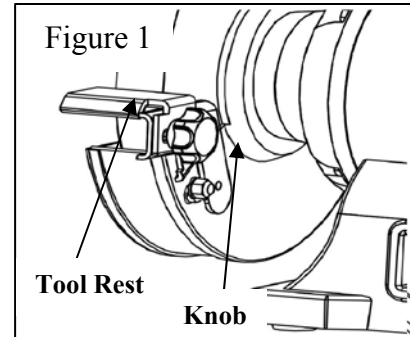


Warning: To avoid injury from unexpected starting or electrical shock, do not plug the power cord into a source of power during unpacking and assembly. This cord must remain unplugged whenever you are adjusting/assembling the grinder.

If any part is missing or damaged, do not attempt to assemble the grinder, or plug in the power cord.

TOOL RESTS, SPARK ARRESTORS AND EYE SHIELDS

1. Install left tool rest to the left wheel guard. Use a knob, screw, and nut to secure it in place as shown in Figure 1.
2. Install right tool rest to the right wheel guard using a knob, screw, and nut.
3. Adjust the tool rests to within 1/16" of the grinding wheel. To adjust this distance, loosen knobs and move tool rests.
4. Attach a spark arrestor to each wheel guard using a screw as shown in Figure 2. Adjust each spark arrestor to within 1/16" (0.0625") of the grinding wheel and tighten each screw.
5. Attach right shield arm to the right wheel guard using a bolt and washers, see Figure 2.
6. Attach left shield arm to the left wheel guard using bolt and washers.
7. Attach right eye shield to right shield arm using knob as shown in Figure 3.
8. Attach left eye shield to left shield arm using knob.



WORK LIGHT

The Bench Grinder is provided with a flexible work light to assist in visibility of the workpiece.

The Bench Grinder is **NOT** provided with a light bulb for the flexible work light.



To reduce the risk of fire, use a 120 Volt, 40 Watt (or less) track light bulb, type R20, medium base or equivalent (not included). **DO NOT** use a light bulb that extends past the end of the light housing.

CAUTION: The Flexible Work Light housing will remain hot for a few minutes after turning it "OFF". Avoid contact with housing until it has cooled.

OPERATION



Caution: Keep all bystanders a safe distance away from the tool and not in direct line, front or back of the grinder.

1. Your bench grinder has a medium wheel (60 grit) for medium material removal and general purpose grinding, and a coarse wheel (36 grit) for fast material removal.
2. To operate the bench grinder, always wear safety glasses and turn the tool on while standing at the side of the grinder (as opposed to in front). Allow it to reach full speed before grinding.
3. Hold the work piece firmly against the tool rest. Hold very small pieces with pliers or other suitable clamps.
4. Feed the work piece smoothly and evenly into the grinding wheel.
5. Move the work piece slowly and avoid jamming the work piece against the wheel. If the wheel tends to slow down from excessive force, you should occasionally release the pressure to let the wheel return to full speed.
6. Grind only on the face of the grinding wheel; never the side of it.



Caution: Prolonged grinding will cause most materials to become hot. Use care when handling such materials.

SCISSORS

If possible, take the scissors apart to make the sharpening operation easier and safer. Remove material only from the outside surface and work from the heavy end of the blade toward the tip.

KNIVES

Remove metal from both faces of most knives, working from the heavy end of the blade toward the tip.

SCREWDRIVERS

The end of a properly sharpened screwdriver will be a perfectly flat rectangle, perpendicular to the centerline of the shank. The two sides and two faces will taper outward from the edge of the shoulder or shank. They should be flat with perpendicular intersecting faces. Hold each face of the screwdriver against the wheel to true it up, then ease the end straight into the stone to grind it true.

LAWN MOWER BLADES

Lawn mower blades are usually sharpened on only one side and dressed up slightly on the other. After sharpening, be sure to balance the blade by removing additional material from the heavy end. There are a number of inexpensive cone balancers on the market for this purpose. Unbalanced blades can cause serious crank shaft damage to your lawn mower. Always remove spark plug wires from the mower before servicing the blades to prevent accidental starting.

Maintenance



Warning: For your own safety, turn switch to OFF and remove plug from power source outlet before adjusting and maintaining your bench grinder. If power cord is worn, cut or damaged in any way, have it replaced immediately.

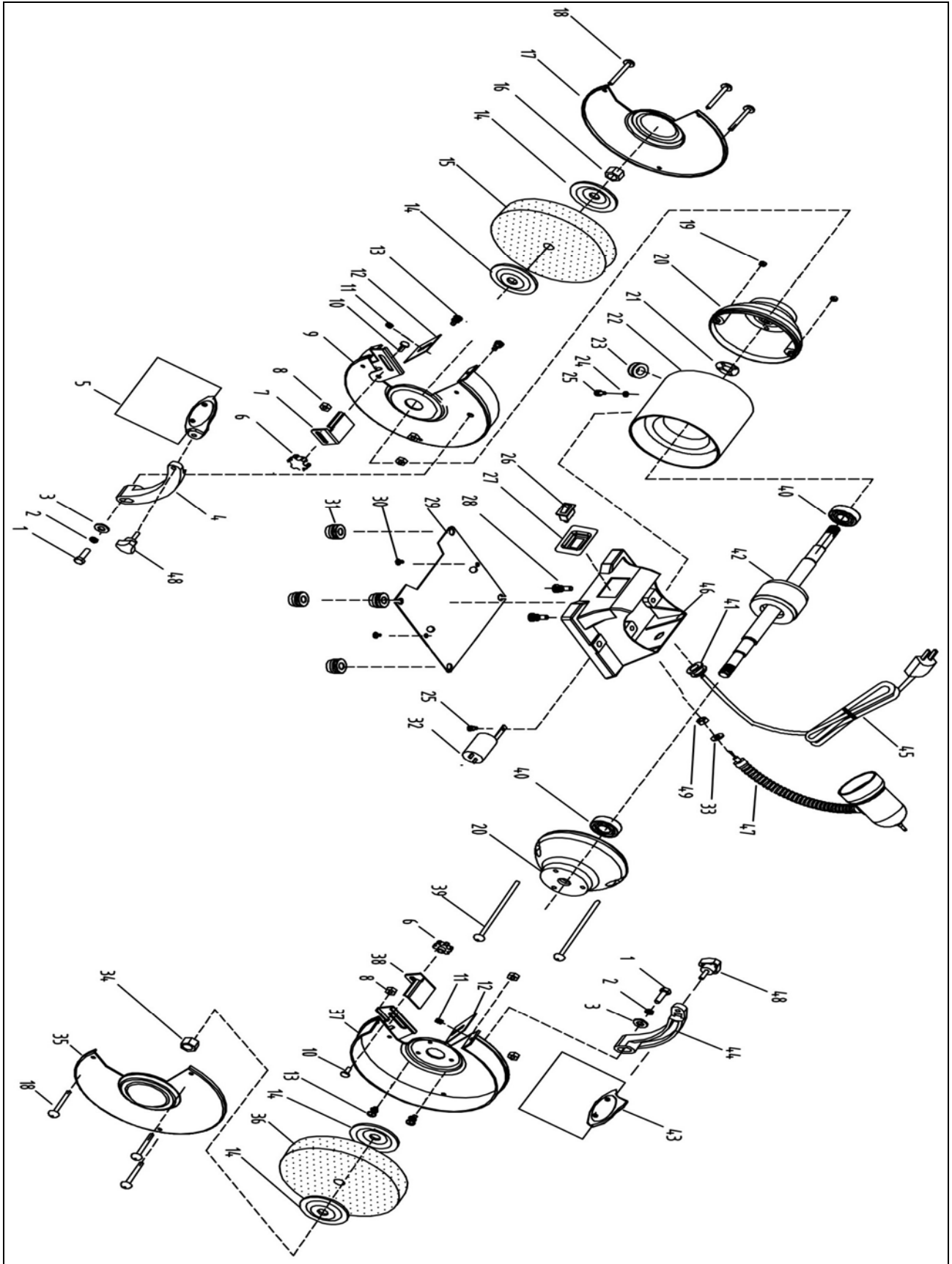
1. Regularly check the tool and use a soft brush to remove accumulated dust. Wear safety goggles to protect your eyes while cleaning.
2. If the body of the grinder needs cleaning, wipe it down with a soft, damp cloth. A mild detergent can be used. Do not use alcohol, petrol or other similar cleaning agents. Do not make contact with the grinding wheels with any damp cloth.
3. Always make sure the eye shields are transparent and not blocking the view of the grinding wheel.
4. In normal use, grinding wheels may become cracked, grooved, rounded at the edges, chipped, out of true or loaded with foreign material. Cracked wheels should be replaced IMMEDIATELY. While any of the other conditions can be remedied with a dressing tool (included), new wheels sometimes require dressing to make them round.
5. If you must replace a wheel be sure to obtain one with a safe rated speed at least as high as the “NO LOAD” RPM marked on your grinder’s nameplate. Replacement wheels must have a ½-inch center hole and a 6-inch diameter with a maximum width of ¾ inch. Test new wheels for cracks and maintain the existing sequence of retaining hardware. Be sure the tool is unplugged before attempting repairs.

Caution: Never use caustic agents to clean the plastic parts of the tool.

Caution: Water must never come into contact with the grinder.

Caution: The use of any other accessories is not recommended and may result in serious injury.

EXPLODED VIEW



PARTS LIST

Item	Stock #	Description
1	4276-001	Bolt
2	4276-002	Spring Washer
3	4276-003	Flat Washer
4	4276-004	Left Eyeshield Bracket
5	4276-005	Left Eyeshield
6	4276-006	Tool Rest Lock Knob
7	4276-007	Left Tool Rest
8	4276-008	Nut
9	4276-009	Left Guard
10	4276-010	Carriage Bolt
11	4276-011	Fastener Assembly
12	4276-012	Spark Deflector
13	4276-013	Fastener Assembly
14	4276-014	Flange
15	4276-015	Grinding Wheel
16	4276-016	Hex Nut
17	4276-017	Left Guard Cover
18	4276-018	Screw
19	4276-019	Hex Nut
20	4276-020	End Cap
21	4276-021	Washer
22	4276-022	Stator
23	4276-023	Cord Bushing
24	4276-024	Washer
25	4276-025	Fastener Assembly

Item	Stock #	Description
26	4276-026	Switch
27	4276-027	Switch Plate
28	4276-028	Fastener Assembly
29	4276-029	Bottom Plate
30	4276-030	Fastener Assembly
31	4276-031	Rubber Foot
32	4276-032	Capacitor
33	4276-033	Flat Washer
34	4276-034	Hex Nut
35	4276-035	Right Guard Cover
36	4276-036	Grinding Wheel
37	4276-037	Right Guard
38	4276-038	Right Tool Rest
39	4276-039	Fastener Assembly
40	4276-040	Bearing
41	4276-041	Cord Clip
42	4276-042	Rotor
43	4276-043	Right Eyeshield
44	4276-044	Right Eyeshield Bracket
45	4276-045	Power Cord
46	4276-046	Base
47	4276-047	Lamp
48	4276-048	Eyeshield Knob
49	4276-049	Locking Knob

#

LIMITED TWO YEARS WARRANTY

WEN Products is committed to build tools that are dependable for years. Our warranties are consistent with this commitment and our dedication to quality.

LIMITED WARRANTY OF WEN CONSUMER POWER TOOLS PRODUCTS FOR HOME USE

GREAT LAKES TECHNOLOGIES, LLC ("Seller") warrants to the original purchaser only, that all WEN consumer power tools will be free from defects in material or workmanship for a period of two (2) years from date of purchase. Ninety days for all WEN products, if the tool is used for professional use.

SELLER'S SOLE OBLIGATION AND YOUR EXCLUSIVE REMEDY under this Limited Warranty and, to the extent permitted by law, any warranty or condition implied by law, shall be the repair or replacement of parts, without charge, which are defective in material or workmanship and which have not been misused, carelessly handled, or misrepaired by persons other than Seller or Authorized Service Center. To make a claim under this Limited Warranty, please contact us at 1-800-232-1195.. To acquire service, you will have to provide proof of purchase and may be asked to ship the tool back to us freight prepaid.

THIS LIMITED WARRANTY DOES NOT APPLY TO ACCESSORY ITEMS SUCH AS CIRCULAR SAW BLADES, DRILL BITS, ROUTER BITS, JIGSAW BLADES, SANDING BELTS, GRINDING WHEELS AND OTHER RELATED ITEMS.

ANY IMPLIED WARRANTIES SHALL BE LIMITED IN DURATION TO ONE (1) YEAR FROM DATE OF PURCHASE. SOME STATES IN THE U.S., SOME CANADIAN PROVINCES DO NOT ALLOW LIMITATIONS ON HOW LONG AN IMPLIED WARRANTY LASTS, SO THE ABOVE LIMITATION MAY NOT APPLY TO YOU.

IN NO EVENT SHALL SELLER BE LIABLE FOR ANY INCIDENTAL OR CONSEQUENTIAL DAMAGES (INCLUDING BUT NOT LIMITED TO LIABILITY FOR LOSS OF PROFITS) ARISING FROM THE SALE OR USE OF THIS PRODUCT. SOME STATES IN THE U.S. AND SOME CANADIAN PROVINCES DO NOT ALLOW THE EXCLUSION OR LIMITATION OF INCIDENTAL OR CONSEQUENTIAL DAMAGES, SO THE ABOVE LIMITATION OR EXCLUSION MAY NOT APPLY TO YOU.

THIS LIMITED WARRANTY GIVES YOU SPECIFIC LEGAL RIGHTS, AND YOU MAY ALSO HAVE OTHER RIGHTS WHICH VARY FROM STATE TO STATE IN THE U.S., PROVINCE TO PROVINCE IN CANADA AND FROM COUNTRY TO COUNTRY.

THIS LIMITED WARRANTY APPLIES ONLY TO PORTABLE ELECTRIC TOOLS, BENCH POWER TOOLS, OUTDOOR POWER EQUIPMENT AND PNUMATIC TOOLS SOLD WITHIN THE UNITED STATES OF AMERICA, CANADA AND THE COMMONWEALTH OF PUERTO RICO. FOR WARRANTY COVERAGE WITHIN OTHER COUNTRIES, CONTACT THE WEN CUSTOMER SUPPORT.

